



TROJAN[®]

PRODUCT CATALOGUE 2024





Since the 1960s Trojan has been manufacturing quality trailer, boat, and caravan components for New Zealand trailers and caravan builders.

From humble beginnings as a family company, Trojan has grown to represent one of the strongest and most reliable brands in the sector. Through this time Trojan has become a successful manufacturer, distributing through New Zealand, Australia, and the Pacific.

Trojan has close alignment with some of the top trailer builders throughout the region. A key factor to Trojan's longevity has been testing our products for New Zealand's tough coastal environment, focusing on products that are corrosion-resistant and highly durable.

Trojan's range covers couplings, suspension, hubs, brake components, lighting, electrical wiring, wheels, hardware, winches, axles, and much more. Trojan also distributes towing accessories and premium off-road towing equipment into the New Zealand market through partner brands such as Hayman Reese and Cruisemaster.

In 2022 well known NZ made trailer components brand Christine Products joined Trojan to further reinforce our commitment to supplying quality trailer parts.

Trojan are proudly part of the AutoPacific Group, a world leader in innovative 4WD, towing, and trailering solutions.

**BUY ONLINE - VISIT US AT:
WWW.TROJAN.CO.NZ**

Table of Contents



Section A - Couplings & Fittings 1-5

Trailer Couplings - Non Braked	1-2
Trailer Couplings - Braked	3-4
Master Cylinders & Spares	5

Section B - Axles & Fittings 6-26

Duratorques	6-8
Axles	8-9
General Info - Hubs & Stub Axles	10
Hubs, Stubs & Drums - Method of Calculating	11
Hub Kits	12-17
Hub & Stub Sets	17-24
Studs & Nuts	25
Bearing & Seal Kits	26

Section C - Brakes 27-33

Trojan Brake Calipers	27
Disc Brake Calipers	27-28
Disk Brake Calipers Spare Parts	28-29
Brake Hoses	30-31
Braking Systems, Tekonsha	31-32
Brake Operating Equipment	33

Section D - Suspension 34-40

Leaf Springs Kits	34-36
Leaf Springs Tandem Suspensions	36-38
Axle & Spring Fittings	38-40

Section E - Rims, Tyres & Mudguards 41-43

Wheel Rims	41
Wheel & Tyre Assemblies	42
Tyres	42
Mudguards	43

Section F - Jockey Wheels & Stands 44-51

Jockey Wheels Economy Style	44-45
Jockey Wheels Premium Style	46-49
Jockey Wheels - Fixed Type	49
Jockey Stands - Trojan	50-51
Jockey Stands - Bulldog	51

Section G - Winches 52-54

Winches Manual	52
Fulton Winches	53
Winch Wires & Ropes	54

Section H - Boat Rollers and Hardware 55-58

Rollers	55-56
Roller Hardware	57
Roller Assemblies	58

Section I - Towing 59-76

Towballs	59
Towball Accessories	59
Ball Mount, Accessories & Hardware	60-62
Drop-Locks & Eye Plates	63
D-Shackles	63-64
Body Hardware	64-66
Lashing Points	67
Trailer Kits	68-71
Weight Distribution & Sway Control	72
Mirrors	73
Spare Wheel Bracket & Towing Flag	74
Coupling Alignment Accessory	75
Bearing Protectors	75
RV / Caravan Levels	75-76
Leveling / Stabilising Accessories	76

Section J - Security 77-78

Trojan Coupling Locks	77
Wheel Clamps	78

Section K - Lighting & Electrical 79-85

Clearance & Marker Lights	79
Combination Tail Lights	80
Submersible Lights	81
Number Plate Lights	81
Reflectors	82
Light Boards	82
Plugs, Cables & Accessories	82-84
RV, Caravan & Boat Lighting	84-85

Section L - Spare Parts 86-129

Trojan Bearing Specs	86
Methods of Calculating Wheel Pitch Circle Diameter	87
Hub & Stubs Kits & Spares	88-91
Non-Braked Hub Spares	92-98
Disc Braked Hub Spares	99-105
9" Hydraulic Drum Brake Spares	106
10" Electric Drum Brake Spares	107
Stub Axle Profiles	108-109
Hub Dimensions	110-111
Hydraulic Caliper - Mk1	112
Hydraulic Disc Brake Calipers	113-115
Mechanical Brake Calipers	116-117
TC30 Coupling	118
Non Braked Coupling	119
2000kg & 2500kg Spring Dampened Override Coupling	120
Hydraulic Back Frame Assembly	121
2000kg & 2500kg Hydraulic Dampened Override Coupling	122
Trojan Hydraulic Master Cylinders	123
Disc & Drum Brake Hoses & Fittings	125
Suspension Spare Parts	125-126
Load Leveler	127
Wobble Roller Assembly Spares	128
Jockey Wheel Spare Parts	129

Notes



Lined area for writing notes, consisting of approximately 35 horizontal lines.

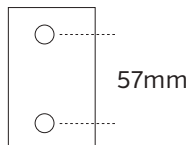


Trailer Couplings - Non Braked

Trojan Pressed Steel Coupling - 900kg Capacity

These couplings are zinc plated pressed steel and are suitable for light duty applications. Designed to fit over 50mm wide draw bars. Two bolt fitment

Part No:	Description:
T191006	Suits 1 7/8" ball



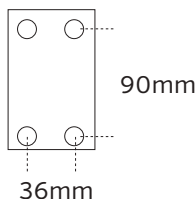
T191006



Trojan Lever Coupling - 2000kg Capacity

New Zealand's most popular trailer coupling, these are fitted as original equipment by major trailer manufacturers. Cast in steel for high strength, these couplings are simple to operate. They are available to suit either 1 7/8" or 50mm balls and have a Geomet finish. The 50mm ball size model complies with NZ standard 5232-1993.

Part No:	Description:
T993963	Suits 50mm Ball
T993965	Suits 1 7/8" Ball



T993963



ACCESSORIES

Part No: T550304 - Coupling Lock
T774550 - Mounting Plate TC30

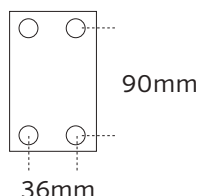
SPARE PARTS

Part No: TPT1025 - Lock Pin Assembly

Trojan Duofit Coupling - 2500kg Capacity

This coupling can be fitted to both 1 7/8" and 50mm towballs by simply lifting and rotating the handle. Available with multifit mounting plate. Cast in steel with a Geomet finish. An anti-rattle screw is fitted and there is provision for fitting a security padlock. When used in the 50mm mode these couplings comply with NZ Standard 5232-1993

Part No:	Description:
T190064	Same mounting as lever coupling or front holes same as override coupling. Rear holes same as lever coupling



T190064



ACCESSORIES

Part No: T550303 - Coupling Lock

SPARE PARTS

Part No: T774550 - Mounting plate
TPT1028 - Anti Rattle Screw & Nut
TPT1306 - Lock Pin & Spring, suits Duo-fit





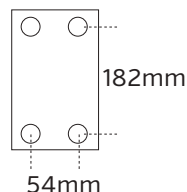
Trailer Couplings - Non Braked

Trojan Duofit Coupling - 3500kg Capacity

This is a heavy-duty coupling which has the same mounting as Trojan override couplings. It will fit both 1 7/8" and 50mm towballs. An anti-rattle screw is fitted and there is provision for fitting a security padlock. Complies with NZ standard 5232-1993, when used in the 50mm mode.

Part No:	Description:
T190063	Duofit
T190065	50mm only

T190063



ACCESSORIES

Part No: T550304 - Coupling Lock
T574558 - Mounting plate

SPARE PARTS

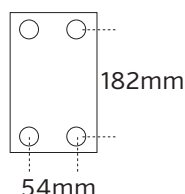
Part No: TPT1029 - Trigger Assembly Kit [Pre-2013]
TPT1028 - Anti Rattle Screw & Nut
TPT1306 - Lock Pin & Spring, suits Duo-fit

Trojan Coupling - 3500kg Capacity

Snap lock type. 50mm model complies with Australian Standard AS4177.3 [2004]. Geomet finish with anti-rattle ball adjusting screw. Fitted Park Brake lever included.

Part No:	Description:
T614100GM	Suits 50mm Ball
T614105GM	Suits 1 7/8" Ball

T614105GM



SPARE PARTS

Part No: TPT4007 - Trigger & spring
TPT4003 - Adjustment screw
T574558 - Coupling Mount Plate O/Ride 10mm

Ezy Hitch

The Ezy Hitch handle is made from high impact plastic material that is completely UV resistant. The handle allows the operator to easily lift and manoeuvre any trailer. The simple leverage action allows the operator to lift the trailer more easily off the towball coupling. Fits easily onto over 10 different models of coupling. Made from durable UV resistant material. This also provides a solution to farm trailers towed by a quad bike as tow bar is usually mounted in a hard to reach place.

Part No:	Description:
T155868	Ezy Hitch

T155868



Trailer Couplings - Braked

Trojan Duofit Override Hydraulic Coupling, oil dampened - 2500kg Capacity

Suits both 50mm & 1 7/8" Towballs. This coupling has an oil filled damper fitted and offers superior performance over other models with its smoother operation. Especially suitable for applications such as horse floats and caravans. A hydraulic parking brake is fitted, as is an anti-rattle screw. Provision is made for a security padlock. Complies with NZ standard 5232-1993 when used in the 50mm mode.

T201670



Part No:	Description:
T201670	3/4" cylinder

SPARE PARTS

Part No: T993021 - Body HTC Coupling
TPT1061 - Collar
TPT1033 - Damper Boot
TPT1051 - Cross head & Circlip Kit
TPT1034 - Park brake lever
TPT1305 - Handle Assembly Kit

SPARE PARTS

Part No: TPT1047 - Collar
TPT1038 - Lever grip
TPT1032 - Reverse Lock Kit HTC Coupling
TPT1087 - Push Rod HTC Coupling
TPT1029 - Trigger Assembly Kit [Pre-2013]
T993027 - Damper Cartridge

Trojan Duofit Override Hydraulic Coupling, spring dampened - 2500kg Capacity

Suits both 50mm & 1 7/8" Towballs. Suitable for fitment to all types of trailers with hydraulic brakes. This model uses a compression spring for dampening the trailer braking. A hydraulic parking brake is fitted, as is an anti-rattle screw. Provision is made for the fitment of a security padlock. The standard master cylinder has a 3/4" bore but where 4 wheel brakes are fitted, the model fitted with a 7/8" cylinder is recommended. Park Brake Lever designed to rest in down position. Complies with NZ standard 5232-1993 when used in the 50mm mode.

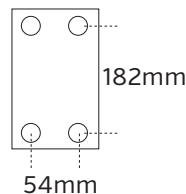
T201660



Part No:	Description:
T201660	Standard spring, 3/4"
T201667	Standard spring, 7/8" cylinder

ACCESSORIES

Part No: T550304 - Coupling Lock
T574558 - Mounting plate



SPARE PARTS

Part No: TPT1028 - Anti Rattle screw & nut
TPT1306 - Lock Pin & Spring, suits Duo-fit
TPT10392 - Master Cylinder Assembly 7/8"
TPT1088 - Push rod

SPARE PARTS

Part No: TPT1040 - Master Cylinder Cap 3/4"
TPT10402 - Master Cylinder Cap 7/8"
TPT4004 - Reverse Lock
T201685 - Lever Assembly, includes pawl
TPT10391 - Master Cylinder Assembly 3/4"





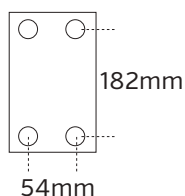
Trailer Couplings - Braked

Trojan Override Coupling - 2500kg Capacity

Snap lock type. 50mm model complies with Australian Standard AS4177.3 (2004). Geomet finish with anti-rattle screw. Supplied with 3/4" Master Cylinder.

T202663

Part No:	Description:
T202663	Suits 50mm Ball
T202664	Suits 1 7/8" Ball



ACCESSORIES

Part No: T574558 - Mounting plate

SPARE PARTS

Part No: PT4007 - Trigger & Spring Coupling 2016+

TPT4002 - Handle assembly

SPARE PARTS

Part No: TPT4004 - Reverse Lock

TPT1040 - Master Cylinder Cap

TPT10391 - Master Cylinder

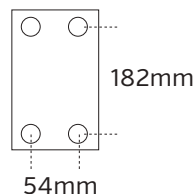
TPT4003 - Adjustment screw

Trojan Override Mechanical Coupling - 2500kg Capacity

Snap Lock type. 50mm model complies with Australian Standard AS4177.3 (2004). Supplied with operating lever and base.

T202666

Part No:	Description:
T202665	Suits 50mm Ball
T202666	Suits 1 7/8" Ball



SPARE PARTS

Part No: PT4007 - Trigger & Spring Coupling 2016+

TPT4003 - Adjustment screw

TPT4004 - Reverse Lock

T201686GM - Back frame mechanical

Trojan Park Brake Lever

Part No:	Description:
T619100	Ratchet park brake lever

T619100



Trojan Mechanical Brake Operating Lever & Park Brake

Part No:	Description:
T201679GM	Suits coupling T201678 & T201683

T201686GM



Master Cylinders & Spares

Trojan Hydraulic Master Cylinders

Trojan Hydraulic couplings are supplied with two size Master Cylinders being 3/4" diameter bore and 7/8" diameter bore. Check size before ordering spares.

Part No:	Description:
TPT10391	3/4" Bore Master Cylinder
TPT10392	7/8" Bore Master Cylinder

SPARE PARTS

Part No: TPT1040 - Cap to suit 3/4" cylinder
TPT10402 - TCap to suit 7/8" cylinder
TPT1080 - Boot suit 3/4" cylinder
TPT1087 - Push Rod for 201670 coupling
TPT1097 - Adaptor for inlet port

Note: Early model 7/8" cylinder is fitted with a replaceable plastic reservoir. Later models are a one piece casting.

TPT10391



TPT10392



Trojan Master Cylinder Bracket & Lever Assembly

Assembly only. Flip down handle. Suits all Trojan spring dampened override couplings

Part No:	Description:
T993055	Bracket assembly with 3/4" cylinder
T993052	Bracket assembly with 7/8" cylinder

SPARE PARTS

Part No: T993082 - Lever Assembly, suits old style
T201685 - Backframe assembly, no master cylinder

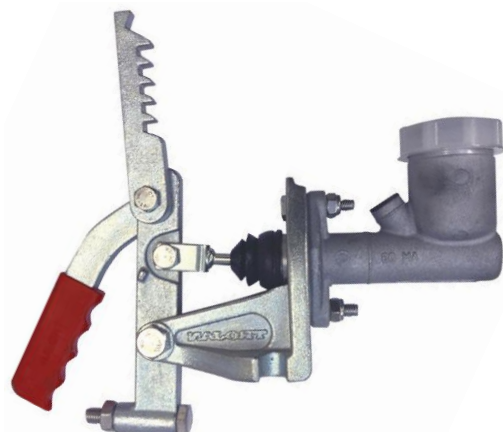
T993055



T201685



T993055





Duratorques

GENERAL INFORMATION

Duratorque is a superior suspension system that is suitable for fitment to and use on all types of trailers. Using specially formulated rubber cords as a springing medium, Duratorques are totally self-contained and easily fitted to the trailer chassis. Because the two sides are not connected, each wheel is independently sprung.

All Duratorque components are either galvanised or electro zinc plated for protection against corrosion.

Carrying capacities for duratorques are 1000kg, 1500kg, 1750kg to 2200kg in both two piece and full beam types and 3000kg version in full and drop beam. These capacities are for single axle applications. When mounted in tandem the capacity must be reduced by 25% i.e. two 1500kg full beam duratorques will carry 2250kg. Note that duratorque half axles are each labeled with the total capacity per pair, not each side.

All duratorques are able to be fitted with non braked or braked hubs. These brakes can be hydraulic disc, 1500kg, 1750kg, 2200kg & 3000kg capacities.

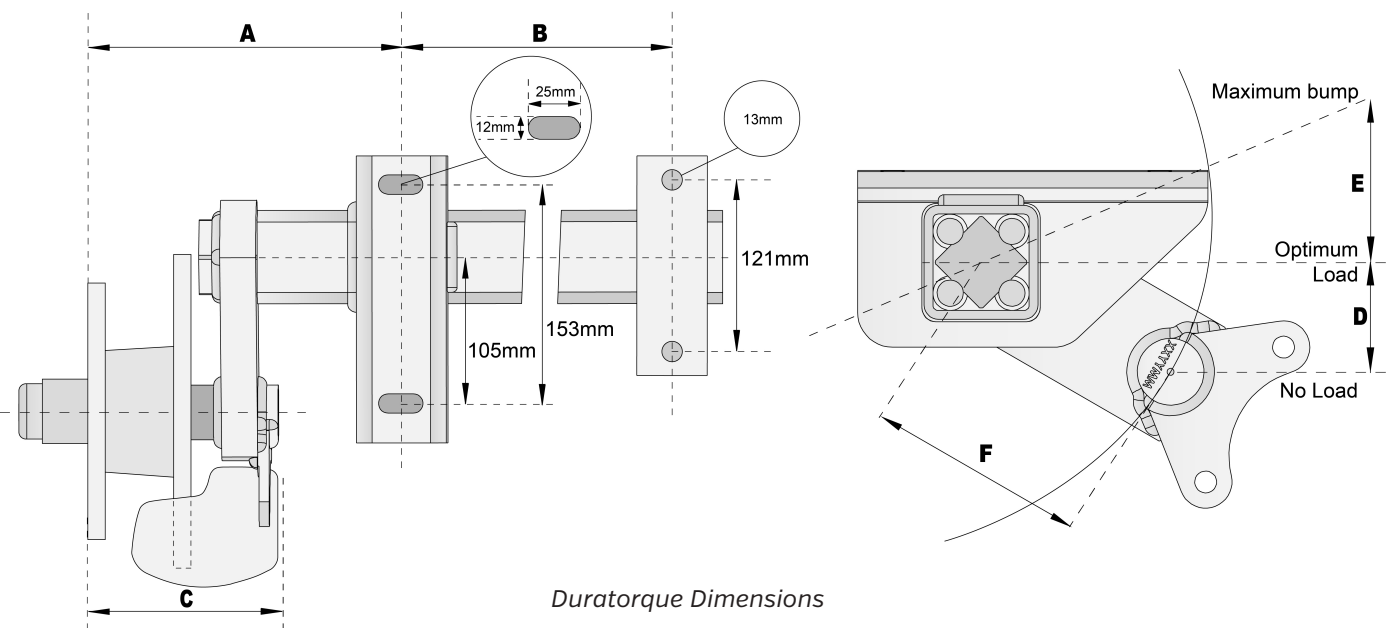
Electric drum braked Duratorques are available in 1750kg and 2200kg capacities.

Available as two piece units which will fit any chassis width and are available as ex-stock or full beam which are manufactured to the customers specifications. Full beams are also available in a gull wing form for fitment to boat trailers allowing the boat to sit lower on the trailer.

It is recommended that Duratorques be mounted to the trailer with the swing arms trailing. When mounted in tandem the distance between the tyres be kept to a minimum and should not exceed 150mm. The distance between the top of the tyres and the mudguards when the Duratorques are new and unloaded should be at least 120mm. When mounted in tandem the front axle should be braked.

When ordering full beam Duratorques the customer is to supply certain information.

Shown below are standard dimensions for all duratorques. Mounting brackets on full beams can be re-positioned to suit customers requirements.



Duratorque Dimensions

DUROTORQUE - QUALITY RUBBER SUSPENSION SYSTEM				
Fig	Type:	1000kg, 1500kg, 1750kg	2200kg	3000kg
A	Two Piece	220mm	210mm	N/A
	Full Beam	220mm	210mm	220mm
	Two Piece Retro	200mm	N/A	N/A
B	Two Piece	340 - 440mm	340 - 440mm	N/A
	Full Beam	To order	To order	To order
C	All Disc	163mm	165mm	165mm
	Elec Drum 10"	95mm	N/A	N/A
	Elec Drum 12"	N/A	N/A	N/A
D	All	60mm	60mm	25mm
E	All	30mm	30mm	30mm
F	All	108mm	108mm	143mm



Duratorques

GENERAL INFORMATION REQUIRED WHEN ORDERING FULL BEAM DURATORQUES

CARRYING CAPACITY

This is the maximum load including the trailer weight.

SINGLE AXLE OR TANDEM

If tandem then the carrying capacity of each Duratorque is to be reduced by 25%.

HUB EQUIPMENT

Are hubs to be braked or non braked?

Are hubs to be assembled to the suspension by Trojan?

What is the stud pattern of the hubs to be.

FACE TO FACE MEASUREMENT

This is the measurement from the outside face of one hub to the opposite one. See A below.

MOUNTING CENTERS

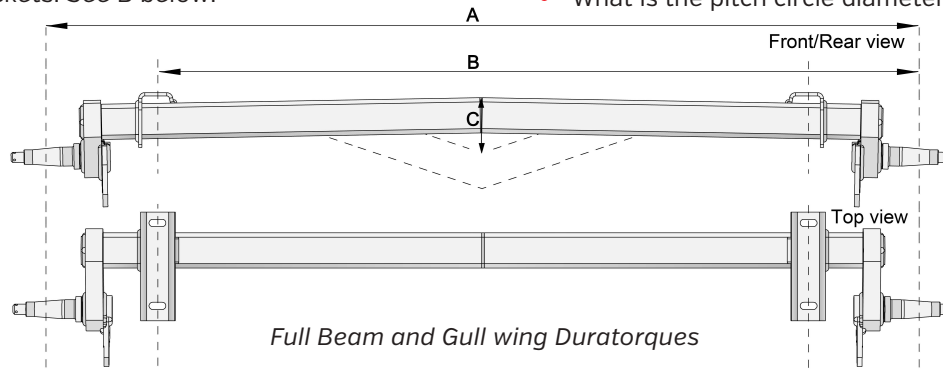
This measurement is from centre to centre of the mounting brackets. See B below.

GULL WING TYPE

Measurements A & B are required plus C which is the required depth of the bend. This can be 60mm, 90mm or 120mm.

IF THE CUSTOMER CANNOT SUPPLY A & B DETAILS ABOVE THEN THE FOLLOWING INFORMATION IS REQUIRED:

- Chassis overall width
- Is the Duratorque going to be mounted directly under the chassis or on an angle runner outside the chassis.
- Outside to outside measurement of mudguards.
- What is the inside & outside offset of the wheels being used.
- How many studs & what diameter.
- What is the pitch circle diameter.



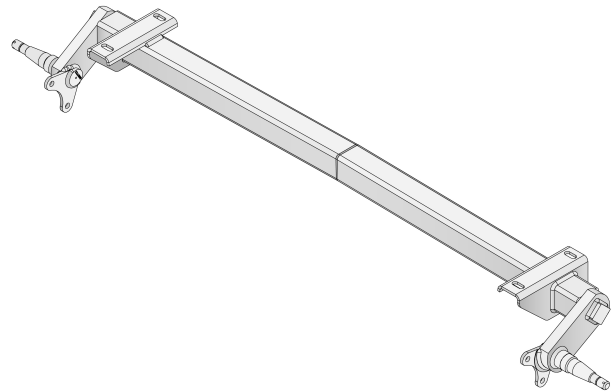
Full Beam and Gull wing Duratorques

Trojan Straight Beam Type

Part No:	Capacity:	Hub Type:
T101046	1000-1500kg	Non braked & disc braked
T101059	1750kg	Electric drum braked
T101052	2200kg	Non braked hubs & disc braked
T101068	3000kg	Non braked, disc & electric braked
T101055	1750kg	Non braked & disc braked

Hub equipment is to be ordered separately. When Electric drum brakes are fitted to 3000kg Duratorques the stopping capacity is 2000kg.

T101046

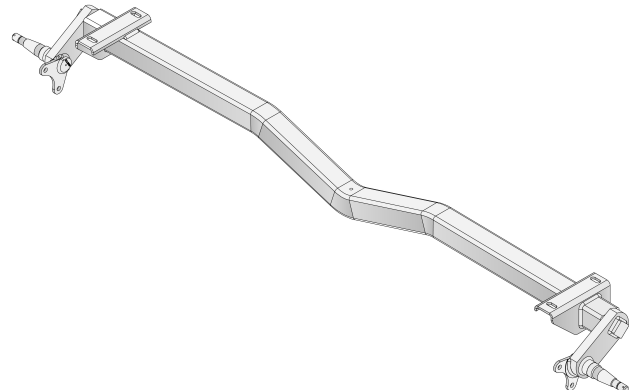


Trojan Gull-Wing Type

Part No:	Capacity:	Hub Type:
T101043	1000-1500kg	Non braked & disc braked
T101053	2200kg	Non braked & disc braked
T101069	3000kg	Non braked & disc braked

Hub equipment is to be ordered separately. Note: 3000kg Gullwing.

T101043





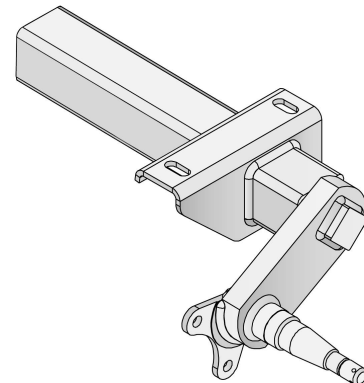
Duratorques

Trojan Half Axle Type

Note: These half type duratorques are sold & priced per side. Each side has the same part number but it is followed by either LH(F) or RH(F). Those shown as RETRO fit are a direct replacement for very early versions. The capacity stamped on each half is the capacity for 1 pair not each one.

Part No:	Capacity:	Type:	Hub Type:
T081010LHF / RHF	1000kg		Non braked & disc braked
T081015LHF / RHF	1000kg	Retro	Non braked & disc braked
T081016LHF / RHF	1500kg	Retro	Non braked & disc braked
T081020LHF / RHF	1500kg		Non braked & disc braked
T092057LHF / RHF	1750kg		Electric braked
T092040LH / RH	2200kg		Non braked & disc braked

T081020RHF



Note:
Hub equipment is to be ordered seperately. Early model hubs will not fit on retro Duratorques

Below spare parts are to suit the old model duratorque with the replaceable stub axle

SPARE PARTS	DESCRIPTION
Part No: T996020 - Stub Axle	1000kg & 1500kg non braked & hydraulic disc
T996050 - Stub Axle	1750kg non braked & hydraulic disc
T996023 - Stub Axle	1500kg electric drum braked
T996053 - Stub Axle	1750kg electric drum braked
T996025 - Stub Axle	1500kg hydraulic drum braked
T996055 - Stub Axle	1750kg hydraulic drum braked
T996025 - Stub Axle Nut	All

Axles

Trojan manufactures a wide range of beam axles to suit most applications. These axles are for use with leaf spring suspensions and include straight beam, drop beam and gull wing types. Braked and non braked types are available. All axles can be supplied either galvanised or in bare metal form. Depending on the capacity, axle beams are manufactured using either 40mm, 50mm or 65mm square hollow box section. Beam axles are manufactured against firm order only and are built to the clients specifications. The following information is required when ordering these axles.

*Note that hub equipment is to be ordered separately.

CARRYING CAPACITY

This is the maximum load including the trailer weight.

HUB EQUIPMENT

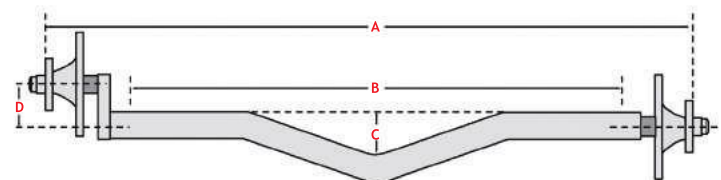
Are hubs to be braked or non-braked. Wheel Drilling required. [Stud pattern / PCD]

FACE TO FACE MEASUREMENT

This is the measurement from the outside face of one hub to the opposite one. See A on image.

SPRING MOUNTING CENTRES

This measurement is from centre to centre of the springs. See B on image.



GULL WING AXLES

Measurements A & B are required plus C which is the required depth of the bend. This can be 60mm, 90mm or 120mm. See C on image.

DROP BEAM AXLES

Measurements A & B are required plus D which is the required height of the drop. This can be 60mm or 90mm. See D on image.

IF THE CUSTOMER CANNOT SUPPLY A & B DETAILS THEN THE FOLLOWING INFORMATION IS REQUIRED:

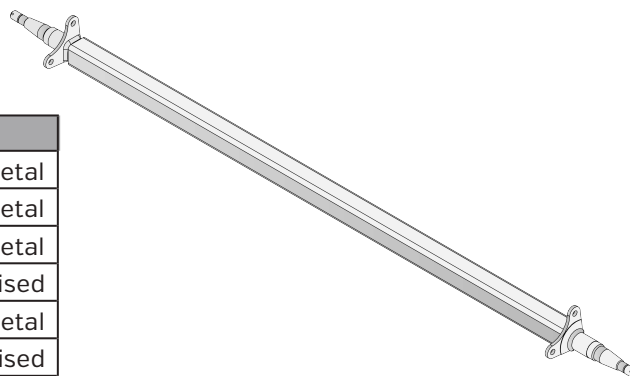
- Chassis overall width. Minus 50mm. [This gives spring centres]
- Overall measurement outside the mudguards. Minus 30mm. This gives outside to outside of the tyres.
- Inside & outside offset measurement of the wheels with tyres fitted. From this together with the mudguard measurement the hub face to face can be calculated.



Axles

Axles do not include hub equipment which needs to be ordered separately. Where Multi Fit Hubs are listed, this means either braked or non braked hubs can be fitted.

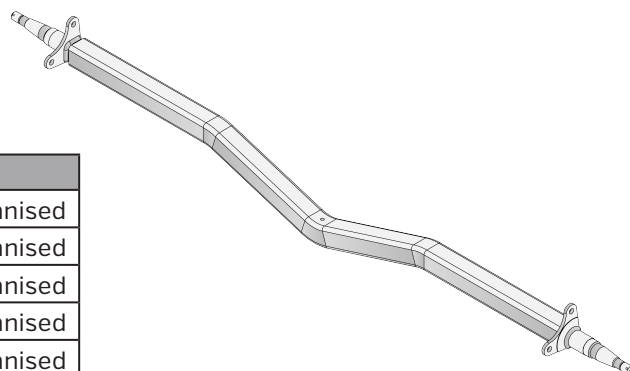
Trojan Straight Beam Type



Part No:	Capacity:	Hub type:	Beam Size:	Finish:
T020095	1200kg	Hyd 9" drum	50 x 50 RHS	Bare metal
T020097	1500kg	10" drum	50 x 50 RHS	Bare metal
T010100	1500kg	Non braked	50 x 50 RHS	Bare metal
T010102	1500kg	Non braked	50 x 50 RHS	Galvanised
T020100	1500kg	Disc braked	50 x 50 RHS	Bare metal
T020101	1500kg	Disc braked	50 x 50 RHS	Galvanised
T020090	1750kg	10" electric	50 x 59 RHS	Galvanised
T020112	2200kg	Multi-hub	65 x 65 RHS	Bare metal
T020113	2200kg	Multi-hub	65 x 65 RHS	Galvanised
T020127	3000kg	Multi-hub	65 x 65 RHS	Bare metal
T020129	3000kg	Multi-hub	65 x 65 RHS	Galvanised

Trojan Gull Wing Axles

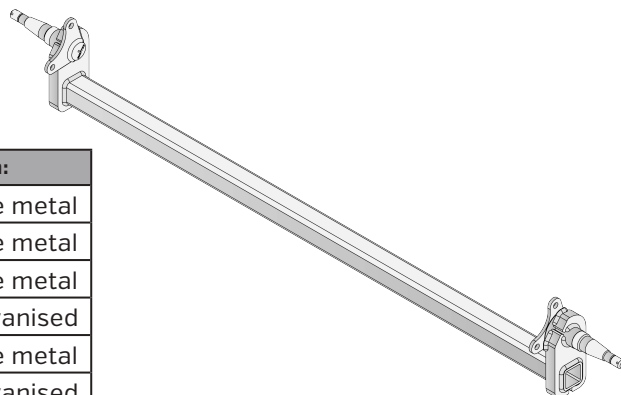
Customer to specify depth of bend. 120mm max.



Part No:	Capacity:	Hub type:	Beam Size:	Finish:
T010103	1500kg	Non braked	50 x 50 RHS	Galvanised
T020103	1500kg	Disc braked	50 x 50 RHS	Galvanised
T020115	2200kg	Multi-hub	50 x 50 RHS	Galvanised
T020114	2200kg	Multi-hub	50 x 50 RHS	Galvanised
T020131	3000kg	Multi-hub	65 x 65 RHS	Galvanised

Trojan Drop Beam Axles

Available with 65mm or 95mm drop.
Customer to specify.



Part No:	Capacity:	Hub type:	Beam Size:	Finish:
T020096	1250kg	9" drum	50 x 50 RHS	Bare metal
T020098	1500kg	10" drum	50 x 50 RHS	Bare metal
T010105	1500kg	Non braked	50 x 50 RHS	Bare metal
T010106	1500kg	Non braked	50 x 50 RHS	Galvanised
T020104	1500kg	Disc braked	50 x 50 RHS	Bare metal
T020105	1500kg	Disc braked	50 x 50 RHS	Galvanised
T020099	1750kg	10" drum	50 x 50 RHS	Bare metal
T020116	2200kg	Multi hub	65 x 65 RHS	Bare metal
T020117	2200kg	Multi hub	65 x 65 RHS	Galvanised
T020130	3000kg	Multi hub	65 x 65 RHS	Galvanised





General Info - Trojan Hubs & Stub Axles

TROJAN OFFER A WIDE RANGE OF BRAKED & NON BRAKED HUBS & STUB AXLES IN VARIOUS FORMS AND CAPACITIES. THIS ALLOWS THE USER TO SELECT THE CORRECT PRODUCT FOR THEIR PARTICULAR APPLICATION.

The following pages show descriptions of the products available plus part numbers. Shown below is clarification of some of the terminology used.

HUB KITS

These kits do not include Stub Axles and are for use on products such as Duratorques and Beam Axles where the Stub Axle is pre-fitted.

HUB & STUB SETS

These use the same Hubs as above but include Stub Axles. Required when the user is fabricating their own axles.

DRILLING

This shows the number of studs fitted to the hubs, the pitch circle diameter and the stud diameter i.e. 5 x 4 1/2 x 1/2. This shows the Hub is 5 stud, has a 4 1/2" pitch circle and the studs are 1/2" diameter.

FLANGE DIAMETER

This shows the outside diameter of the hub flange that the wheel studs are fitted to.

STUB AXLE DIAMETER

This refers to the diameter of the part of the stub axle which fits into and is welded to the axle beam.

INTEGRAL HUB & ROTOR

This relates to Disc Brake Hubs where the Hub & Disc Rotor are cast as one piece. Also refers to Drum Brakes where the Hub & Drum are one casting.

BOLT ON ROTOR TYPE HUBS

These hubs have provision for bolting on Disc Brake Rotors should it be decided to fit brakes at a later date. It also makes for simple replacement of worn rotors.

STUB AXLE & YOKE/FLANGE

This means the Stub Axle is fitted with a bracket allowing Disc Brake Calipers or Drum Brake Backing Plates to be bolted on.

TOP HAT ROTOR TYPE HUBS

This type of hub is an integral hub and rotor where the gap between the hub and rotor is filled in simulating a top hat appearance. These hubs are very common to Australian built trailers.

ALL TROJAN HUBS OFFER THE FOLLOWING FEATURES:

- All hubs are either Electro Zinc Plated or Galvanised.
- Only top quality Japanese Bearings are supplied unless customer specifies otherwise. [Except 3000kg]
- Grease Seals supplied with all hubs are Marine type with Stainless Steel fittings. [Except 3000kg]
- All Hub Kits and Hub & Stub sets are supplied complete with Bearings, Seals, Grease Caps, Axle Nuts, Washers & Split Pins.
- All kits & sets are sold as pairs, with the exception of 3000kg versions.

USAGE RECOMMENDATIONS FOR TROJAN HUBS & BRAKE EQUIPMENT:

- **Disc brakes** are suitable for any application where superior stopping power & low maintenance is required. The only brake recommended for boat trailers.
- **Drum brakes** should not be fitted to boat trailers as lack of performance and high maintenance costs will be incurred.
- **All Trojan hydraulic brakes** can be operated by an override coupling to a maximum of 2500kg GVW. Over this weight a driver controlled brake system is required.
- **Electric drum brakes** are commonly fitted to Caravans & Horse Floats. A brake controller is required. These brakes have a integral mechanical park brake included. Trailer mounted controllers are available up to 2500kg.

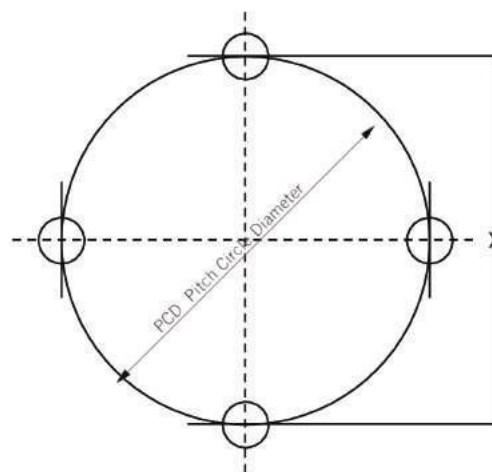


Hubs, Stubs & Drums METHOD OF CALCULATING

4 Stud PCD

To measure PCD on a 4-stud wheel: Measure from the centre of one stud to the opposite stud.
 NB: Correct drill size for TROJAN stud (spline dia) is 17/32" or 13.75mm.

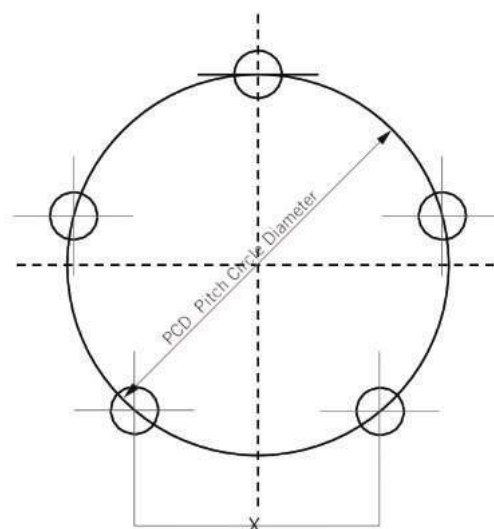
4-STUD PCD			
"x" in Inches:	'x' in MM:	PCD:	Common Wheels:
3.930"	100.0mm	100mm	BMW / Honda / Holden / Gemini
4.000"	101.6mm	4"	Mini
4.250"	108.0mm	4 1/4"	Escort / Cortina
4.330"	110.0mm	110mm	Daihatsu Charade / RX Series Mazda
4.500"	114.3mm	4 1/2"	Most Japanese / Triumph 2000/ Morris 1100 - 1300



5 Stud PCD

To measure PCD on a 5-stud wheel: Measure from the centre of one stud to the centre of the next stud.
 Then calculate PCD using the chart below. NB: Correct drill size for TROJAN stud (spline dia) is 17/32" or 13.75mm

5-STUD PCD			
"x" in Inches:	'x' in MM:	PCD:	Common Wheels:
2.351"	59.715mm	4"	AP5, AP6 Valiant
2.498"	63.449mm	4 1/4"	Pre-HQ Holden & Torana
2.645"	67.183mm	4 1/2"	Zephyr / VJ Valliant / Falcon
2.792"	70.916mm	4 3/4"	HQ Holden / XJ6 Jaguar
2.939"	74.650mm	5"	58PA Vauxhall / Delta
3.233"	82.118mm	5 1/2"	Bronco
3.527"	89.586mm	6"	
3.820"	94.028mm	6 1/2"	Landrover
2.314"	58.779mm	100mm	Camry
2.499"	63.481mm	108mm	
2.591"	65.832mm	112mm	Mercedes
2.777"	70.535mm	120mm	BMW / 6&8 Cyl Commodore
3.008"	76.413mm	130mm	
3.240"	82.290mm	140mm	
3.703"	94.046mm	160mm	Ford Transit





Hub Kits

1500kg Non Braked - Standard Type Fits 1000kg to 1500kg Non Braked Duratorques & Beam Axles

Part No:	Description:	Flange diameter:
T082005	Blank	155mm
T082008	4 x 100 x 7/16"	155mm
T082010	4 x 4 x 7/16"	140mm
T082015	4 x 4 1/4 x 7/16"	155mm
T082018	4 x 110 x 7/16"	155mm
T082020	4 x 4 1/2 x 7/16"	155mm
T082025	5 x 4 1/4 x 7/16"	155mm
T082035	5 x 4 1/2 x 1/2"	155mm
T082040	5 x 120 x 7/16"	155mm
T082045	5 x 5 x 7/16"	155mm
T084055	6 x 5 1/2 x 1/2"	190mm

T082040



- Stub axles are not included.
- Wide range of wheel drillings available.
- 3 flange diameters for various wheel diameters.

Note:
All above hubs are fitted with bearing cups.

1500kg Non Braked - Bolt on Rotor Type Fits 1000kg & 1500kg Duratorques & Beam Axles

Part No:	Description:
T082105	Blank
T082125	5 x 4 1/4 x 7/16"
T082135	5 x 4 1/2 x 1/2"
T082140	5 x 120 x 7/16"

T082125



UPGRADE BRAKE COMPONENTS

- Part No: TPT3110 - Cast Iron Rotor Kit x2
- TPT3111 - Stainless Steel Rotor Kit x2
- TPT1098 - Cast Iron Caliper Kit x2
- TPT1298 - Stainless Steel Caliper Kit x2

- Stub axles are not included.
- Allows upgrade to brakes at a later time.
- 5 stud drillings only.



Hub Kits

2000kg Non Braked - Bolt On Rotor Type Fits 2200kg Duratorques & Beam Axles

Part No:	Description:
T083135	5 x 4 1/2 x 1/2"
T083140	5 x 120 x 7/16"
T083155	6 x 5 1/2 x 1/2"

- Allows upgrade to brakes at a later time
- Fitted with heavy duty bearings
- 5 or 6 stud drillings only
- Stub axle not included

UPGRADE BRAKE COMPONENTS

Part No:	TPT3112 - Cast Iron Rotor Kit x2
	TPT3113 - Stainless Steel Rotor Kit x2
	TPT1098 - Cast Iron Caliper Kit x2
	TPT1298 - Stainless Steel Caliper Kit x2

T083135



Note: All above hubs are fitted with bearing cups

3000kg Non Braked - Bolt On Rotor Type Fits 3000kg Duratorques & Beam Axles

Part No:	Description:
T084555	Hub kit includes 1 x hub with bearings, seal, grease cap, axle nut & washer

- Allows upgrade to brakes at a later time
- 6 stud drilling only. 6 x 5 1/2 x 1/2
- Heavy duty components
- Note: Unlike other Trojan sets sold as pairs, this 3000kg version is sold as per each

UPGRADE BRAKE COMPONENTS

Part No:	TPT1361 - Cast Iron Rotor with Cast Iron Caliper x1
	TPT1363 - Cast Iron Rotor with Stainless Steel Caliper x1
	TPT1365 - Stainless Steel Rotor with Stainless Steel Caliper x1

T084555



Note: All above hubs are fitted with bearing cups





Hub Kits

1500kg Disc Brake Hub Kits Fits 1000 to 1500kg Duratorques & Beam Axles

- Stub axles are not included.
- Calipers are not included.
- Rotor diameter is 225mm
- Capacity per pair for hubs

INTEGRAL HUB & ROTOR TYPE

Part No:	Description:
T035105	Blank
T035115	4 x 4 1/4 x 7/16"
T035120	4 x 4 1/2 x 7/16"
T035125	5 x 4 1/4 x 7/16"
T035135	5 x 4 1/2 x 1/2"
T035140	5 x 120x7/16"

CAST IRON BOLT ON ROTOR TYPE

Part No:	Description:
T036125	5 x 4 1/4 x 7/16"
T036135	5 x 4 1/2 x 1/2"
T036140	5 x 120 x 7/16"

STAINLESS STEEL BOLT ON ROTOR TYPE

Part No:	Description:
T036325	5 x 4 1/4 x 7/16"
T036335	5 x 4 1/2 x 1/2"
T036340	5 x 120 x 7/16"

CALIPER SETS FOR THE ABOVE

Part No:	Description:
TPT1098	Cast Iron Hydraulic
TPT1298	Stainless Steel Hydraulic

T035135



Integral hub & rotor

T036335



Bolt on rotor type

1750kg Disc Brake Hub Kits Fits 1750kg Beam Axles

- Stub axles are not included
- Heavy Duty bearings
- Common wheel drillings

HUB & ROTOR TYPE

Part No:	Description:
T085135	5 x 4 1/2 x 1/2" Integral
T086135	5 x 4 1/2 x 1/2" Bolt On

CALIPER SETS FOR THE ABOVE

Part No:	Description:
TPT1098	Cast Iron Caliper Kit
TPT1298	Stainless Steel Caliper Kit

T085135



Note: All above hubs are fitted with bearing cups.



Hub Kits

2000kg Disc Brake Hub Kits Fits 2200kg Duratorques & Beam Axles

- Stub axles are not included.
- Calipers are not included.
- Rotor diameter is 275mm
- Capacity per pair for hubs

INTEGRAL HUB & ROTOR TYPE

Part No:	Description:
T037135	5 x 4 1/2 x 1/2"
T037155	6 x 5 1/2 x 1/2"

BOLT ON ROTOR TYPE

Part No Cast Iron:	Part No Stainless Steel:	Description
T038135	T038335	5 x 4 1/2 x 1/2"
T038140	T038340	5 x 120 x 7/16"
T038155	T038355	6 x 5 1/2 x 1/2"

CALIPER SETS FOR THE ABOVE

Part No:	Description:
TPT1098	Cast Iron Hydraulic
TPT1298	Stainless Steel Hydraulic

T037135



T038135



1750kg Australian Style Top Hat Rotors with Integral Hub. Fits Australian 1750kg Duratorques & Beam Axles

Trojan offer an integral hub & disc rotor that are the Top Hat (Australian) design. These hubs are fully galvanized and are available in the 5 X 4 1/2 X 1/2 drilling. The rotor diameter is 255mm and thickness is 15mm. Hydraulic & Mechanical calipers are available to fit these rotors. These hubs are fitted with bearings that are rated at 1750kg per pair of hubs.

Part No:	Description:
T039135	5 x 4 1/2 x 1/2"

CALIPERS FOR THE ABOVE

Part No:	Description:
T993481	Hyd Cast Iron x1 each with pads
T993483	Hyd Stainless Steel x1 each with pads
T993469	Mech caliper x 1 each with pads

Note: These calipers will not fit NZ rotors. Use only with hubs pictured.

T039135





Hub Kits

3000kg Disc Brake Hub Kits - Bolt On Rotor Type Fits 3000kg Duratorques & Beam Axles

- 6 stud drilling only. 6 x 5 1/2 x 1/2
- Vented Rotors
- Heavy duty components
- Stub axle not included
- Various caliper & rotor combinations

T084555 + BRAKE UPGRADES



Part No:	Description:
T084555	Hub kit includes 1 x hub with bearings, seal, grease cap & axle nut x1
TPT1361	Cast Iron Rotor with Cast Iron Caliper x1
TPT1363	Cast Iron Rotor with Stainless Steel Caliper x1
TPT1365	Stainless Steel Rotor with Stainless Steel Caliper x1
T170975	Upgrade Stainless Calipers to be fitted with Mechanical Park Brake x1pr
T699413	Rotor cast iron
T699415	Rotor stainless steel

Note: Unlike other Trojan sets sold as pairs, this 3000kg version is sold as per each.

1250kg Hydraulic Drum Braked Hub Kits. Fits 1500kg Beam Axles

- Stub axle not included
- Drum 9" inside diameter
- Shoe width 1 3/4"
- No mechanical park brake
- Capacity per pair

T096035



Part No:	Description:
T096035	5 x 4 1/2 x 1/2"



Hub Kits

Electric Drum Braked Hub Kits

Two sizes of electric brakes are available being 10" diameter and 12" diameter. The 10" version is available fitted with either 1500kg or 1750kg bearings together with a range of common wheel drillings. The 12" version rated at 2000kg is available only in 6 stud. All version are fitted with a mechanical handbrake. 10" brake drums are electro plated. These hub kits do not include stub axles.

HUB KITS WITH 10" DIA DRUM-1500KG & 1750KG RATING

Part No:	Description:
T095035	5 x 4 1/2 x 1/2" - Rated 1500KG
T095055	6 x 5 1/2 x 1/2" - Rated 1500KG
T095135	5 x 4 1/2 x 1/2" - Rated 1750KG
T095155	6 x 5 1/2 x 1/2" - Rated 1750KG

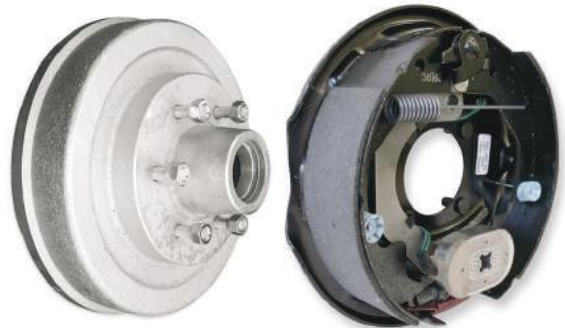
HUB KITS WITH 12" DIA DRUM - 2000KG RATING

Part No:	Description:
T096555RH	Right hand side x 1
T096555LH	Left hand side x 1

Note:

*2000KG drum kits are sold per side.

T096555RH



T095035



Hub & Stub Sets

1500kg Non Braked - Standard Type Hub

Part No:	Stud Pattern:	Flange Diameter:	Stub Axle Type:
T122005	Blank	155mm	38mm dia
T122008	4 x 100 x 7/16"	155mm	38mm dia
T122010	4 x 4 x 7/16"	140mm	38mm dia
T122015	4 x 4 x 1/4" x 7/16"	160mm	38mm dia
T122018	4 x 110 x 7/16"	160mm	38mm dia
T122020	4 x 4 1/2 x 7/16"	160mm	38mm dia
T122025	5 x 4 1/4 x 7/16"	160mm	38mm dia
T122035	5 x 4 1/2 x 1/2"	160mm	38mm dia
T122040	5 x 120 x 7/16"	160mm	38mm dia
T122045	5 x 5 x 7/16"	160mm	38mm dia
T123055	6 x 5 1/2 x 1/2"	190mm	38mm dia

- Wide range of wheel drillings available
- 3 flange diameters for various wheel diameters
- Round stub axles available in 2 diameters
- Bulk packs (not individually boxed) available

T122035



T995020



Note:

If braked stub axles are required use part numbers **T170950** to upgrade





Hub & Stub Sets

1500kg Non Braked - Bolt on Rotor Type Hub

Part No:	Stud Pattern:	Stub Axle & yoke:
T123135	5 x 4 1/2 x 1/2"	38mm dia
T123140	5 x 120 x 7/16"	38mm dia

- Allows upgrade to brakes at a later time
- 5 stud drillings only
- Round stub axles supplied with fitted caliper mount
- Bulk packs (not individually boxed) available

UPGRADE BRAKE COMPONENTS

Part No:	TPT3110 - Cast Iron Rotor Kit x2
	TPT3111 - Stainless Steel Rotor Kit x2
	TPT1098 - Cast Iron Caliper Kit x2
	TPT1298 - Stainless Steel Caliper Kit x2

Note: All above hubs are fitted with bearing cups

T123135



1750kg Non Braked - Standard Type

- Fitted with large bore bearings
- 2 Flange diameters for various wheel diameters
- Available in 5 or 6 stud only
- Stub axles are 38mm diameter

Part No:	Stud Pattern:	Flange Diameter:
T122036	5 x 4 1/2 x 1/2"	155mm dia
T122039	5 x 120 x 7/16"	155mm dia
T123054	6 x 5 1/2 x 1/2"	190mm dia

T122036



Hub & Stub Sets

1750kg Non Braked - Bolt on Rotor Type

Part No:	Stud Pattern:	Stub Axle & yoke:
T143135	5 x 4 1/2 x 1/2"	155mm

- Allows upgrade to brakes at a later time
- 5 stud drillings only
- 38mm Round stub axles supplied with fitted caliper mount

T143135



2000kg Non Braked - Bolt on Rotor Type

Part No:	Stud Pattern:	Flange Diameter:	Sub Axle Type:
T124105	Blank	190mm	38mm dia
T124135	5 x 4 1/2 x 1/2"	190mm	38mm dia
T124140	5 x 120 x 7/16"	190mm	38mm dia
T124155	6 x 5 1/2 x 1/2"	190mm	38mm dia

- Allows upgrade to brakes at a later time
- Round stub axles supplied fitted with caliper mount

UPGRADE BRAKE COMPONENTS

Part No: TPT3112 - Cast Iron Rotor Kit x2
TPT3113 - Stainless Steel Rotor Kit x2
TPT1098 - Cast Iron Caliper Kit x2
TPT1298 - Stainless Steel Caliper Kit x2

Note:

*All above hubs are fitted with bearing cups

T124135





Hub & Stub Sets

3000kg Non Braked Hub & Stub set

Part No:	Description:
T084555	Hub kit includes 1 x hub with bearings, seal, grease cap & axle nut. x1
T699235	Stub axle - without caliper mount. 50mm dia
T699237	Stub axle - WITH caliper mount. 50mm dia.

- Allows upgrade to brake at a later time
- 6 stud drillings only. 6 x 5 1/2 x 1/2
- Stub axle fitted with grease nipple
- Heavy duty components
- Note: Unlike other Trojan sets sold as pairs, this 3000kg version is sold as per each. Stub axles are to be ordered as a separate item.

UPGRADE BRAKE COMPONENTS

Part No: TPT1361 - Cast Iron Rotor with Cast Iron Caliper x1

TPT1363 - Cast Iron Rotor with Stainless Steel Caliper x1

TPT1365 - Stainless Steel Rotor with Stainless Steel Caliper x1

Note:

*If braked are to be fitted at a later date order stub axle **T699237**. Above hub supplied with bearing cups.*

T084555



Hub & Stub Sets

1500kg Disc Brake Hub & Stub Sets

- Stub axles with caliper mount included
- Calipers not included
- Rotor diameter is 225mm
- Stub axle is 38mm in diameter
- Capacity is per pair of hubs

INTEGRAL HUB & ROTOR TYPE

Part No:	Description:
T135105	Blank
T135115	4 x 4 1/4 x 7/16"
T135120	4 x 4 1/2 x 7/16"
T135125	5 x 4 1/4 x 7/16"
T135135	5 x 4 1/2 x 1/2"
T135140	5 x 120 x 7/16"

CAST IRON BOLT ON ROTOR TYPE AND STAINLESS STEEL BOLT ON ROTOR TYPE

Part No:	Description:
T136335	5 x 4 1/2 x 1/2" - Stainless Steel
T136340	5 x 120 x 7/16" - Stainless Steel
T136125	5 x 4 1/4 x 7/16" - Cast Iron
T136135	5 x 4 1/2 x 1/2" - Cast Iron
T136140	5 x 120 x 7/16" - Cast Iron

CALIPER SETS FOR THE ABOVE

Part No:	Description:
TPT1098	Cast Iron Hydraulic
TPT1298	Stainless Steel Hydraulic

T135135



T136135



TPT1098



1750kg Disc Braked Hub & Stub Sets

- Stub axles with caliper mount included
- Calipers not included.
- Fitted with large bore bearings
- 38mm round stub axles
- 5 or 6 stud hubs only.

INTEGRAL HUB & ROTOR TYPE, CAST IRON BOLT ON ROTOR TYPE AND STAINLESS STEEL BOLT ON ROTOR TYPE

Part No:	Description:
T145135	5 x 4 1/2 x 1/2" Integral
T145140	5 x 120 x 7/16" Integral
T146135	5 x 4 1/2 x 1/2" Bolt On Cast Iron
T146140	5 x 4 120 x 7/16" Bolt On Cast Iron
T146335	5 x 4 1/2 x 1/2" Bolt On Stainless Steel
T146340	5 x 4 120 x 7/16" Bolt On Stainless Steel

CALIPER SETS FOR THE ABOVE

Part No:	Description:
TPT1098	Cast Iron Hydraulic
TPT1298	Stainless Steel Hydraulic

T993488



TPT1098





Hub & Stub Sets

Trojan offer an integral hub & rotor that are the Top Hat [Australian] design. These hubs are fully galvanized and are available in 5 X 4 1/2 X 1/2 drilling. The rotor diameter is 255mm and thickness is 15mm. Hydraulic & Mechanical calipers are available to fit these rotors. These hubs are fitted with bearings that are rated at 1750kg per pair of hubs.

1750kg Australian style Top Hat Rotors with Integral Hub

Part No:	Description:
T139135	5 x 4 1/2 x 1/2"

T139135



CALIPER SETS FOR THE ABOVE

Part No:	Description:
T993481	Hydraulic Cast Iron
T993483	Hydraulic Stainless Steel
T993469	Mech caliper x1ea with pads

T993469



Note:
These calipers will not fit NZ rotors. Use only with hubs pictured

2000kg Disc Braked Hub & Stub Sets

- 38mm Stub axles included
- Calipers are not included
- Rotor diameter is 275mm
- Capacity is per pair of hubs

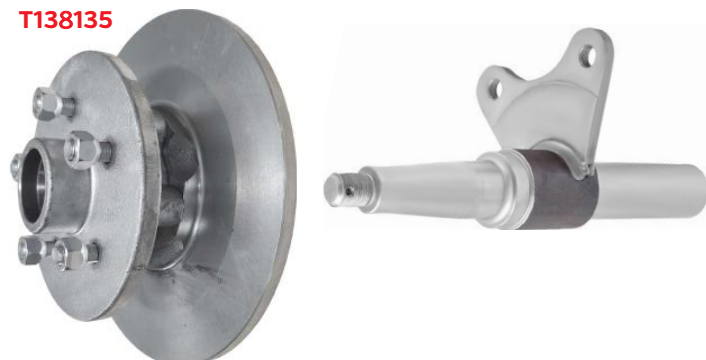
INTEGRAL HUB & ROTOR TYPE

Part No:	Description:
T137135	5 x 4 1/2 x 1/2"
T137155	6 x 5 1/2 x 1/2"

T137135



T138135



CAST IRON BOLT ON ROTOR TYPE

Part No:	Description:
T138105	Blank
T138135	5 x 4 1/2 x 1/2"
T138140	5 x 120 x 7/16"
T138155	6 x 5 1/2 x 1/2"



Hub & Stub Sets

2000kg Disc Braked Hub & Stub Sets continued

STAINLESS STEEL BOLT ON ROTOR TYPE

Part No:	Description:
T138335	5 x 4 1/2 x 1/2"

T138335



CALIPER SETS FOR THE ABOVE

Part No:	Description:
TPT1098	Cast Iron Hydraulic
TPT1298	Stainless Steel Hydraulic

TPT1098



Note: All above hubs are fitted with bearing cups

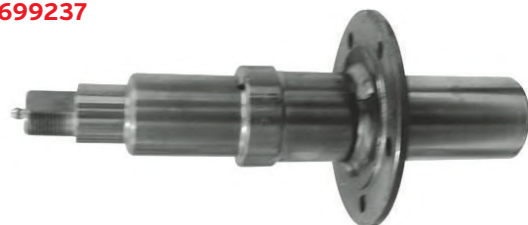
3000kg Hydraulic Disc Braked Hub & Stub Set

Part No:	Description:
T084555	1 x Hub complete with bearings, seal, grease cap, axle nut & washer.
T699237	1 x Stub axle with caliper mount.
TPT1361	1 x Cast iron rotor with cast iron caliper.
	Or
TPT1363	1 x Cast iron rotor with Stainless Steel Caliper.
	Or
TPT1365	1 x Stainless Steel Rotor with Stainless Steel Caliper.

T084555



T699237



- 6 Stud drilling only. 6 x 5 1/2 x 1/2
- Stub axles fitted with grease nipple.
- Heavy duty components.
- Choice of Plated cast iron or Stainless Steel calipers & Rotors.
- Rotors are vented for cooler braking.

Unlike other Trojan hub & stub sets which are ordered as pairs, the components for these 3000kg versions are to be ordered individually.





Hub & Stub Sets

1250kg Hydraulic Drum Braked Hub & Stub Set

- Drum 9" Inside dia
- Stub Axle 38mm dia
- Shoe Width 1 3/4"
- Park Brake Not Included

Part No:	Description:
T132035	5 x 4 1/2 x 1/2"
T132040	5 x 120 x 7/16"

T132035



T593664



Trojan Electric Braked Hub & Stub Sets

Two sizes of electric brakes are available being 10" diameter and 12" diameter. The 10" version is available fitted with either 1500kg or 1750kg bearings together with a range of common wheel drillings. The 12" version rated at 2000kg is available only in 6 stud. All version are fitted with a mechanical handbrake. 10" drums are electro zinc plated.

HUB & STUB SETS WITH 10" DIAMETER DRUM - 1500KG RATING

Part No	Rating	Stud Pattern
T134035	1500 KG	5 x 4 1/2 x 1/2"
T134055	1500 KG	6 x 5 1/2 x 1/2"
T134135	1750 KG	6 x 5 1/2 x 1/2"
T134155	1750 KG	6 x 5 1/2 x 1/2"

T134035



HUB & STUB SETS WITH 10" DIAMETER DRUM - 2200KG RATING

Part No 1500kg:	Stud Pattern
T096555RH & LH	6x5 1/2x1/2
T699237	Stub Axle

Note:

These hub kits are sold per side plus stub axles are to be ordered separately.



Studs & Nuts

Trojan Acorn Nuts

To be used with Trojan Alloy rims.

Part No:	Units:	Threads:	Hex AF:	Taper:	Finish:
TPT1024	Pkt/5	1/2"	13/16"	60°	Chrome
T994031	Each	1/2"	13/16"	60°	Chrome

TPT1024



Trojan Wheel Nuts

Trojan wheel nuts have 'tapered seats' and suit all common wheels.

Part No:	Units:	Threads:	Hex AF:	Taper:
TPT1001	Pkt/5	7/16"	3/4"	60°
TPT1002	Pkt/5	1/2"	13/16"	60°



Trojan Wheel Studs & Nuts

Trojan wheel studs are the 'splined' type and are 'press fit' into holes drilled in the hubs. Early model studs had a smaller diameter spline than the current versions but are now unavailable. To fit the current studs, the holes in the hubs will need to be re-drilled to 13.75mm or 1 7/32". Trojan wheel nuts have 'tapered seats' and suit all common wheels. Nuts have 'tapered seats' and suit all common wheels.

Part No:	Units:	Threads:	Hex AF:	Taper:	length:	Drill Dia:
TPT10055	Pkt/5	7/16"	3/4"	60°	40mm	13.75mm
TPT10065	Pkt/5	1/2"	13/16"	60°	43mm	13.75mm



Trojan Nut & Washer Kits

Part No:	Description:
TPT1008	1500kg & 1750kg hubs, includes 1 x 3/4" slotted nut, flat washer & split pin
TPT10081	2000kg hubs, includes special slotted nut, washer & split pin





Bearing & Seal Kits

Trojan Bearing

The listed kits are for fitment to current production hubs.

Part No:	Description:
TPT1184	Bearing kit 1500kg, inc one each - LM11949 cone, LM11910 cup, LM67048 cone, LM67010 cup.
TPT1129	Bearing kit 2000kg, inc one eac - LM44649 cone, LM44610 cup, LM48548 cone & LM48510 cup.
TPT1186	Bearing kit 1750kg, inc one each - LM12749 cone, LM12710 cup, L68149 cone & L68110 cup & seal assembly.
TPT10127	Bearing kit 3000kg, inc one each - L15245 cone, L15123 cup, L5580 cone & L15123 cup.



Trojan Seal Kits

The listed kits are for fitment to current production hubs.

Part No:	Description:
TPT1013	Seal kit 1500kg, inc two each - Retaining washer, seal & wear ring.
TPT10131	Seal kit 1500kg, inc one each - Retaining washer, seal & wear ring.
TPT10135	Seal kit 1750kg, inc one each - Retaining washer, seal
TPT1014	Seal kit 2000kg, inc two each - Retaining washer, seal & wear ring.
TPT10141	Seal kit 2000kg, inc one each - Retaining washer, seal & wear ring.
T699241	Seal kit 2000kg electric & 3000kg hubs, inc one each - Seal



Trojan Grease Caps

Trojan have available a range of Grease caps to suit most common Trailer Hubs.

Part No:	Description:
TPT1007	45mm dia cap - 2/pkt. Suits all Trojan 1500kg hubs, 1750kg hubs & early 2000kg hubs.
TPT1136	47mm dia cap - 1/pkt.
TPT1132	52mm dia cap - 2/pkt. Suits Trojan 2000kg hubs on early version
TPT1140	50.2 dia cap [1.980"] - 1/pkt. Suits Trojan 2000kg 2 piece hubs & late 2000kg one piece.
T699243	62.2 dia - Suits Trojan 3000kg hub
T994055	63mm suits 2000kg electric hubs



Trojan Brake Calipers

GENERAL INFO - ORDERING TROJAN BRAKE CALIPERS

Trojan offer a range of brake calipers which cover all light trailer applications. This allows the user to select the correct product for their particular application. The following pages show descriptions of the products available plus part numbers. Shown below is clarification of some of the terminology used.

CAST IRON CALIPERS - HYDRAULIC TYPE

These are cast in SG iron and are Electro Zinc Plated for protection against corrosion. These calipers are fitted with a Phenolic piston which is a high strength non rusting material. Fittings, such as slide pins and bleed screws, are brass while other fittings are Stainless Steel. The brake pads supplied with these calipers have a stainless steel backing plate, which prevents brake lining separation from corrosion.

STAINLESS STEEL CALIPERS - HYDRAULIC TYPE These are cast in high grade Stainless Steel and offer total protection against corrosion. Ideally suited for fitment to boat trailers. These calipers are also fitted with Phenolic pistons and other fittings are either brass or stainless steel. The brake pads supplied with these calipers have a stainless steel backing plate, which prevents brake lining separation from corrosion. Other specifications are the same as the above cast iron version.

RETRO FIT CALIPERS - HYDRAULIC TYPE

These calipers are available in cast iron only and allow the direct replacement of the early MK2 Trojan hydraulic calipers which are no longer available. The only difference between the current calipers and these conversion types is the position of the mounting bolts. All other specifications are the same.

BOLT ON MECHANICAL PARK BRAKE CONVERSION

These stainless steel park brake assemblies are fastened with cap screws to the original Trojan hydraulic calipers via the guide pins, this allows the calipers to be activated mechanically to provide a parking brake. These units are handed and are available in both forward pull and centre pull options.

3000KG CAPACITY HYDRAULIC BRAKE CALIPERS These are available in either Plated Cast Iron or Stainless Steel, with an integral mechanical park brake. The calipers are high quality and are fitted with stainless steel pistons and fittings. The mounting plate supplied allows the direct conversion from 12" dia electric drum brakes, as fitted to most imported USA built trailers and caravans, to the more efficient hydraulic disc brakes.

Disc Brake Calipers

Caliper sets, except where shown, include 1 pair calipers, pads & mounting hardware. Brake pads for Trojan calipers are asbestos free and are supplied with a Stainless Steel backing plate.

Cast Iron Hydraulic Calipers

Part No:	Description:
TPT1098	Trojan Caliper Set. Current model
TPT1099	Trojan Caliper Set. MK2 conversion
T699203	Kodiak Caliper suit 3000kg [1x only]
T993481	Australian Caliper [1x only]



Stainless Steel Hydraulic Calipers

Part No:	Description:
TPT1298	Trojan Caliper Set. Current model
T699405	Kodiak Caliper suit 3000kg [1x only]
T993483	Australian Caliper [1x only]





Disc Brake Calipers

Bolt on Mechanical Park Brake

Allows conversion of current Trojan hydraulic calipers to include a mechanical park brake. All stainless steel.

Part No:	Description:
T993472	LH forward pull
T993474	RH forward pull
T993452	LH centre pull
T993453	RH centre pull



**T993472
(LEVER ONLY)**

Disc Brake Calipers Spare Parts

Suit MK3 to current Hydraulic Calipers.
Cast Iron & Stainless Steel

Part No:	Description:
T993476	Cast iron Caliper Complete. Incl pads & bolts
T993477	Stainless Steel Caliper Complete. Incl pads & bolts
TPT1019	Service Kit - Minor. Inc 1x piston seal & boot, 2x guide pin boots
TPT1076	Service Kit - Major. Inc 1x piston seal & boot, 2x guide pin boots, 2x standard brake pads
TPT1078	Guide pin kit - Inc 2x pins and bolts
TPT1075	Guide pin boots x 2
TPT1091	Bleed screw - Inc 1x 3/8" UNF
TPT1125	Piston x1
TPT10202	Brake pads x 4 - Standard type
TPT10203	Brake pads x 4 - Stainless type
TPT1079	Brass sleeves
T992808	Caliper body - cast iron - incl piston
TPT1127	Stainless Steel Piston
T992265	Caliper Anchor - Cast iron
T992268	Caliper Anchor - Stainless



TPT10203



Disc Brake Calipers Spare Parts

Suit MK2 Hydraulic Calipers

Part No:	Description:
TPT1017	Service Kit - Minor. Incl 2 x piston seal, 1x boot, 1x clip
TPT1074	Service Kit - Major. Incl 1 x piston seal and boot 2 x brake pads
TPT1018	2 x brake pads
TPT1093	Brake Pads Locating Pins x 2
TPT1092	Bleed Screw 1 x 1/4" UNC

TPT1018



Suit MK1 Hydraulic Calipers

Part No:	Description:
TPT1015	Service Kit - Minor. Incl 1 x piston seal, 1x O-ring, 1x piston retaining clip
TPT1072	Service Kit - Major. Incl 1 x piston seal, 2 x brake pads TPT1016
TPT1016	2 x brake pads

TPT1016



Australian Hydraulic Calipers

Part No:	Description:
TPT11202	4 X Brake Pads

TPT11202



Suit 3000kg Kodiak Hydraulic Calipers

Part No:	Description:
T699403	Cast iron caliper assy
T699405	Stainless Steel caliper assy
T699240	4 x Brake pads Suit 2.25" Kodiak Caliper

T699240





Brake Hoses

Trojan offer a range of kits used for piping Hydraulic braking systems. These are available for both 'single axle' & 'tandem axle' applications. Stainless steel braided hoses with stainless fittings are also available. All hoses comply to required standards. NB: All hoses & fittings are available in bulk.

Trojan Brake Hose & Fitting kits for Hydraulic Brakes

Trojan Brake Hose & Fitting kits include all necessary hoses and fittings required for plumbing of brakes.

Part No:	Hose Type:	Application:
TPT1021	Standard rubber	Single axle disc brakes.
TPT10211	Stainless braided	Single axle disc brakes.
TPT102111	Stainless braided	Single axle with banjo fitting.
TPT1042	Standard rubber	Single axle drum brakes. Spring suspension.
TPT1044	Standard rubber	Single axle banjo hose kit.
TPT1022	Standard rubber	Tandem axle disc brakes.
TPT10221	Stainless braided	Tandem axle disc brakes.
TPT102211	Stainless braided	Tandem axle banjo hose kit.
TPT1049	Standard rubber	Tandem axle banjo hose kit.
TPT10451	Stainless braided	Tilt boom hose. 3/8" male fitting both ends
TPT10222	Stainless braided	Tandem for 3000kg discs

TPT1021



Trojan Brake Hoses - Replacements

Trojan Brake Hose & Fitting kits include all necessary hoses and fittings required for plumbing of brakes.

Part No:	Hose Type:	Application:
TPT1037	Standard rubber	3/8" UNF male fittings
TPT10371	Stainless braided	3/8" UNF male fittings
TPT10372	Standard rubber	3/8" male to 3/8" female fittings
TPT1046	Stainless braided	Fitted with 3/8" banjo & 3/8" male flare
TPT10461	Standard rubber	Fitted with 3/8" banjo & 3/8" male flare

TPT10372



Brake Tubing

Part No:	Hose Type:
T867600R	Copper tubing 3/16" dia - 15mtr rolls. Standard Copper
T179804R	Copper tubing 3/16" dia - 15mtr rolls. High Grade Copper
T179085R	Bundy tubing 3/16" dia - 12mtr rolls. Steel
T867602	Copper tubing 3/16" dia - 200mtr rolls. Standard Copper

T867600R



Brake Hoses

Brake Tubing Saddles & Spare Parts

Part No:	Description:
T873200	Bridge Clip - saddles suit 3/16" tubing. Stainless steel. Each.
T361105	Bridge clip - saddles suit 3/16" tubing. Stainless steel. Pkt/6.
T873500	P clip - suits 3/16" tubing. UV resistant black Nylon. Pkt/100.
TPT1094	Brass tee fitting 3/8" UNF
TPT1023	Brass flare nut 3/8" UNF. Pkt/5.
T502564	Half nut 3/8" UNF
TPT1097	Adaptor kit 3/8" UNF - includes adaptor, flare unit & washer
T502465	Copper washer
TM702-3	Brass tee fitting 3/8" UNF - Drum Brakes Only
TP42850	Tube nut 3/8" UNF - Drum Brakes
TPT1100	Pipe joiner

T873200



T873500



Braking Systems

Valley Phantom Electric Brake Controller - 12V

An affordable brake control with ample power. The Phantom Trailer Brake control offers adjustable power output and multiple Reaction Time settings. Contained in a compact design that can be mounted in any position, Phantom's solid-state design provides trouble free stopping for trailers with electric brake systems. Features include - No leveling required. Solid state dependability. LED Indicator. Short-Circuit Detection. Self-Diagnostic. Manual Override lever provides stop lamp activation. Does not interfere with Vehicles anti-lock brake, Cruise Control or other electrical systems. Supports 2 or 4 brake systems. Easy installation includes mounting bracket, hardware and easy to follow installation instructions.

T328110





Tekonsha Brake Controllers

Proportional based controls offer a smooth braking response to almost any stop. Through the use of a sensing device, the brake control can determine the tow vehicle's rate of deceleration and then apply the trailer brakes to match. In other words, Proportional controls deliver power to the trailer brakes in direct relationship to the actual physical deceleration of the tow vehicle. There are a number of models and capacities available to suit your towing and braking requirements.

Voyager®

T9030AUS

The Voyager® incorporates Tekonsha's patented braking sensor and is the best value you'll find for smooth and secure trailer braking. It's compact size and features, like a bicolored LED brake monitor (to assure a complete connection to trailer brakes and give an indication of relative braking power being applied) make the Voyager® extremely versatile. Voyager® minimizes interference with tow vehicle electrical systems, uses a four wire hook up, has a broad setting range and is compatible with most any vehicle.



Part No:	Description:
T9030AUS	Tekonsha Voyager

Primus™ IQ

T90160AUS

A totally proportional electric trailer brake control, the new Primus®IQ is self-leveling so no level adjustment is necessary. Utilizing the primary sensor technology from Prodigy®, the Primus®IQ now includes the "Boost" feature that gives users the ability to apply more initial trailer braking when towing heavier trailers. It works proportionally in reverse for backing into tough spots and includes a snap-in dash mounting clip and removable electrical connector that allows the unit to be quickly stored when not in use. You will appreciate the digital readout depicting a secure electrical connection, amount of voltage delivery to the trailer brakes and diagnostic features incorporated in the LED display.



Part No:	Description:
T90160AUS	Tekonsha Primus IQ

Prodigy® P2

T90885AUS

Utilize for rental businesses, fleet ownerships or multiple tow vehicles. Requires no levelling.



Part No:	Description:
T90885AUS	Tekonsha Prodigy P2

Prodigy® P3

T90195AUS

P3; the industry's most advanced electric trailer brake control. True proportional braking systems, power boost for heavy duty towing integrated safeguards protecting your vehicle, automatic leveling ability, 5 storable settings and customizable LED display. P3 has many features, making it the new standard for electric trailer brake controls.



Part No:	Description:
T90195AUS	Tekonsha Prodigy P3



Brake Operating Equipment

Breakaway Kit - 12V

Applies trailer brakes if it becomes detached from tow vehicle. Built in LED display. Includes battery & box, battery charger & breakaway switch.

Part No:	Description:
PRO5085320	Push test breakaway system with charger

PRO5085320



Electric Breakaway Switch

Mounts onto trailer drawbar.

Part No:	Description:
TC93640	Breakaway switch

TC93640



Trojan Cable Guide & Adjuster

Part No:	Description:
TR93949	Cable guide, galvanised
TR94788	Cable adjuster, galvanised

TR93949



TR94788



Trojan Cable Kits

Includes wire, wire clamps, adjuster & guide where used.

Part No:	Description:
TPT1047	Galvanised wire for forward pull calipers
TPT10471	Stainless wire for forward pull calipers
TPT1048	Galvanised wire for centre pull calipers
TPT10481	Stainless wire for centre pull calipers

TPT1047





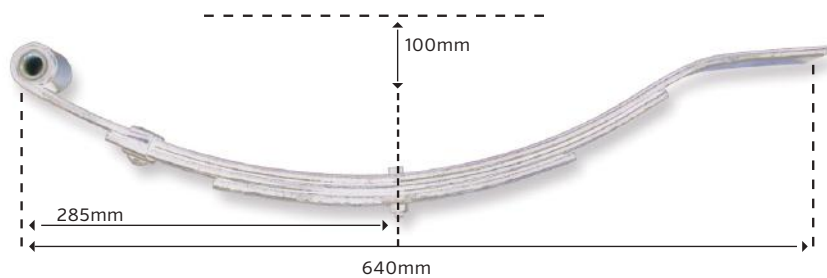
Leaf Springs

Trojan offer a comprehensive range of Leaf Springs in varying types. These include Slipper, Multi-Leaf, Slipper Taper Leaf & Double Eye. All Dacromet coated for corrossions resistance, unless otherwise stated.

Trojan Multi-Leaf Slipper - Short Series

Short series multi-leaf slipper springs
- Dacromet coated.

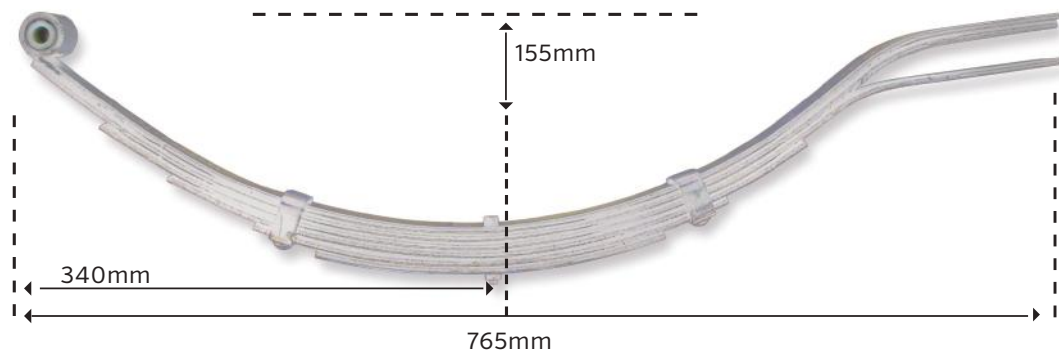
Part No:	Capacity per pair:	No of leaves & sizes:	O/A length / Eye to centre bolt:	Eye Dia:
T260062D	500kg	2 - 45 x 6mm	640 - 285mm	16mm
T260063D	750kg	3 - 45 x 6mm	640 - 285mm	16mm
T260064D	1000kg	4 - 45 x 6mm	640 - 285mm	16mm
T260070D	1250kg	3 - 45 x 8mm	640 - 285mm	16mm
T260073D	1500kg	4 - 45 x 8mm	640 - 285mm	16mm
T260075D	2000kg	5 - 45 x 8mm	640 - 285mm	16mm



Trojan Multi-Leaf Slipper - long Series

Long series multi-leaf slipper springs
- Dacromet coated.

Part No:	Capacity per pair:	No of leaves & sizes:	O/A length / Eye to centre bolt:	Eye Dia:
T260003D	650kg	3 - 45 x 6mm	765 - 340mm	1/2"
T260005D	1000kg	5 - 45 x 6mm	765 - 340mm	1/2"
T260006D	1250kg	6 - 45 x 6mm	765 - 340mm	1/2"
T260010D	1900kg	5 - 45 x 8mm	765 - 340mm	1/2"

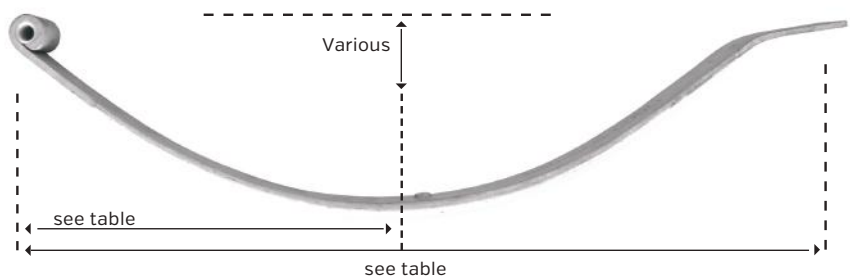


Leaf Springs

Taper Leaf Slipper Series

Taper leaf slipper series springs
- Dacromet [265 range] & Painted [PBS range].

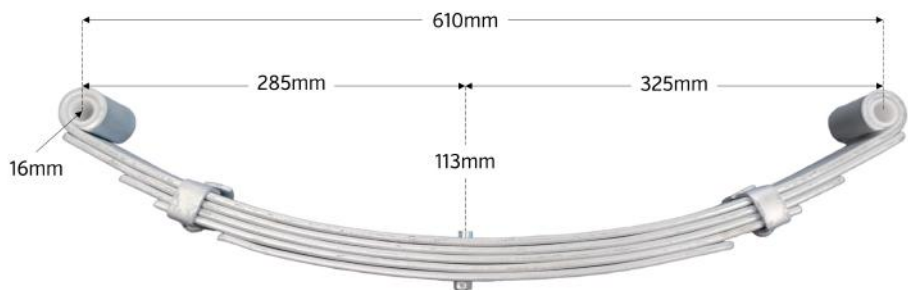
Part No:	Capacity per pair:	No of leaves & sizes:	O/A length / Eye to centre bolt:	Eye Dia:
T265006D	600kg	1 - 45mm taper	765 - 350mm	1/2"
T265010D	1000kg	1 - 45mm taper	765 - 350mm	1/2"
T265014D	1400kg	1 - 45mm taper	765 - 370mm	1/2"
TPBS500	500kg	1 - 50mm taper	750 - 340mm	16mm
TPBS10000	1000kg	1 - 50mm taper	750 - 340mm	16mm
TPBS15000	1500kg	1 - 50mm taper	750 - 340mm	16mm
TPBS20000	2000kg	1 - 50mm taper	750 - 340mm	16mm



Trojan Multi-Leaf - Double Eye

Double eye multi-leaf springs
- Dacromet coated

Part No:	Capacity per pair:	No of leaves & sizes:	O/A length / Eye to centre bolt:	Eye Dia:
T260050D1	1500kg	5 - 50 x 6mm	610 - 285mm	16mm
T260060D	1750kg	6 - 50 x 6mm	610 - 285mm	16mm



T260050D1

Spring Mount Single Galvanised

To suit short series springs

Part No:	Description:
T266000LH	Spring Mount Single Left Galv
T266000RH	Spring Mount Single Right Galv





Leaf Springs Kits

Trojan Multi Leaf Spring Kits - Short Series

These Trojan Spring Kits include 1 x pair Springs, Hangers, Bolts, Slippers, U-Bolts & Plates - Springs are Dacromet coated

Part No:	Capacity per pair:	No of leaves & sizes:	O/A length / Eye to centre bolt:	Eye Dia:
T266050	500kg	2 - 45 x 6mm	640 - 300mm	16mm
T266075	750kg	3 - 45 x 6mm	640 - 300mm	16mm
T266100	1000kg	4 - 45 x 6mm	640 - 300mm	16mm
T266125	1250kg	3 - 45 x 8mm	640 - 300mm	16mm
T266150	1500kg	4 - 45 x 8mm	640 - 300mm	16mm
T266200	2000kg	5 - 45 x 8mm	640 - 300mm	16mm



T266200

Trojan Taper Leaf Spring Kits

These Trojan Spring Kits include 1 x pair Springs, Hangers, Bolts, Slippers, U-Bolts & Plates - Springs are Dacromet coated.

Part No:	Capacity per pair:	No of leaves & sizes:	O/A length / Eye to centre bolt:	Eye Dia:
T267060	600kg	1 - 45mm taper	65 - 350mm	1/2"
T267100	1000kg	1 - 45mm taper	765 - 350mm	1/2"
T267140	1400kg	1 - 45mm taper	765 - 370mm	1/2"



Leaf Springs Tandem Suspensions

Trojan Rocker Tandem Suspensions are designed to distribute the load equally over the four trailer wheels. This is achieved by having the springs mounted on a 'rocker bar' which pivots on a 'central hanger'.

Trojan Eye to Slipper

This suspension has the eye end of the springs attached to the centre rocker. This offers maximum movement of the rocker and is a ideal suspension for commercial and off road applications.

Part No:	Capacity:	Leaves:	Fitmets:
T284025	2200kg	3 - 45 x 8mm	Direct to chassis
T284030	3000kg	4 - 45 x 8mm	Direct to chassis
T284035	3500kg	5 - 45 x 8mm	Direct to chassis

Note: Does not include axle U-bolts or plates

SPARE PARTS	DESCRIPTION	DESCRIPTION
Part No: T260070D	3 leaf spring	Part No: T812720 - Hanger bolt nut 20mm
T260073D	4 leaf spring	T812760 - Centre hanger
T260075D	5 leaf spring	T812765 - Slipper saddle
T812416	Lock tab 16mm	T812768 - Rocker bar, incl bushes
T812420	Lock tab 20mm	T871900 - Spring eye bush
T812711	Spring eye bolt 16mm	TR8608A - Spring eye bolt nut 16mm
T812715	Hanger bolt 20mm	TS213M0 - Rocker bush 20mm



Leaf Springs Tandem Suspensions

Trojan Slipper Eye Type

This suspension has the front Spring reversed to the above having the eye end attached to the Trailer Chassis with the Slipper end riding on the Rocker. This Suspension is for general usage. This Suspension can be made into a Tri-Axle if required [part no 284050].

Part No:	Capacity:	Leaves:	Fitments:
T284038	2200kg	3 - 45x8mm	Direct to chassis
T284040	3000kg	4 - 45x8mm	Direct to chassis
T284045	3500kg	5 - 45x8mm	Direct to chassis

Note: Includes axle U-bolts and plates for axles 50mm square

SPARE PARTS	DESCRIPTION	DESCRIPTION
Part No: T260070D - 3 leaf spring		Part No: T812760 - Centre hanger
T260073D - 4 leaf spring		T812765 - Slipper saddle
T260075D - 5 leaf spring		T812770 - Rocker bar, incl bushes
T812047 - spring hanger		T871900 - Spring eye bush
T812420 - Lock tab 20mm		TR8608A - Spring eye bolt nut 16mm
T812715 - Hanger bolt 20mm		TS213M0 - Rocker bush 20mm
T812720 - Hanger bolt nut 20mm		



Angle Iron Sub Frame Tandem

To suit slipper to eye type [See above]

Part No:	Description:
T284038LH	Angle Iron Sub Frame Tandem Left
T284038RH	Angle Iron Sub Frame Tandem Right





Leaf Springs Tandem Suspensions

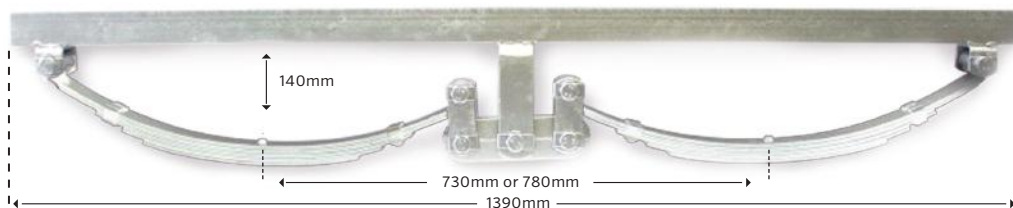
Trojan Double Eye Rocker Type

These Suspensions are designed to be fitted to Trailers where a superior ride is required; This includes Horse Floats. Available as a kit which can be welded direct to the Trailer chassis or supplied assembled fitted to an angle iron frame. The kit does not include the frame.

Part No:	Capacity:	Leaves:	Fitments:	Finish:
T871500	2500kg	5 - 50x6mm	Unmounted	Bare Steel
T871600	2500kg	5 - 50x6mm	Mounted & Assembled	Bare Steel
T871600G	2500kg	5 - 50x6mm	Mounted & Assembled	Galv Frame
T871700	3500kg	6 - 50x6mm	Unmounted	Bare Steel
T871800	3500kg	6 - 50x6mm	Mounted & Assembled	Bare Steel
T8718GALV	3500kg	6 - 50x6mm	Mounted & Assembled	Galv Frame

Note: Does not include axle U-bolts or plates

SPARE PARTS	DESCRIPTION	DESCRIPTION
Part No: T871200	Spring eye & rocker bushes	T812711 - Rocker pivot bolt
T276010	Rocker Bar	TR8608A - Spring eye bolt nut 16mm
T8714GALV	Link plates	T274009 - Lock tab kit
T869700	Centre hanger	T260050D1 - 5 leaf spring [supplied as pair]
T812713	Spring Shackles bolt	T260060D - 6 leaf spring [supplied as pair]



Axle & Spring Fittings

Trojan U-Bolts

Galvanised. Complete with Nuts & Washers.

Part No Prs Packaged:	Part No Each Loose:	Inside Width:	Inside Length:	Diameter:	Type:
T271010	T813965	43mm	110mm	10mm	Round
T441005	T813968	43mm	110mm	10mm	Square
T271030	T813960	51mm	110mm	12mm	Round
T271035	T813970	51mm	120mm	12mm	Round
T271050	T813985	51mm	85mm	12mm	Square
T271055	T813800	51mm	100mm	12mm	Square
T271060	T813810	51mm	110mm	12mm	Square
T271065	T813820	51mm	120mm	12mm	Square
T271070	T813830	51mm	130mm	12mm	Square
T271075	T813845	68mm	145mm	12mm	Square
T271080	T813850	80mm	100mm	12mm	Square
T271090	T813165	100mm	100mm	12mm	Square



Axle & Spring Fittings

Trojan U-Bolt & Axle Plates

Part No Prs Packaged:	Part No Each Loose:	Suits Ubolt size:	Suits spring width:	Finish:
T272010	TR8603ZP	43 x 10mm	45mm & 50mm	Galvanised
T272020	T812052	51 x 12mm	45mm & 50mm	Galvanised
N/A	T992688	68 x 12mm	45mm & 50mm	Galvanised
N/A	T992687	68 x 12mm	45mm & 50mm	Bare

T272020



Trojan Spring Hangers

Part No Prs Packaged:	Part No Each Loose:	Suits Spring width:	Suits bolt diameter:
T274015	TR86050	50mm	16mm
T274018	T367900	45mm	1/2"
T274019	T812067	45mm	16mm

T274015



Trojan Spring Slipper Saddles

Part No Prs Packaged:	Part No Each Loose:	Description:
T274022	T812105	Slipper saddle for 45mm springs with anti-rattle leaf
N/A	T812108	Slipper saddle for 45mm springs
N/A	T812108PB	Slipper saddle for 50mm springs

T274022



Spring Mount Kit

Kit contains: 1x Slipper, 1x Hanger, 1x Bolt, 1x Nylok Nut

Part No:	Description:
T274050	50mm x 16mm
T274060	45mm x 1/2"
T274065	45mm x 16mm

T274050





Axle & Spring Fittings

Trojan Spring Shackle Bolts, Nuts & Lock Tab Sets

Zinc Plated. Complete with Nuts & Washers.

Part No Prs Packaged:	Part No Each Loose:	Description:
T274025	N/A	Bolt & nylock nut. 16mm dia x 90mm long [Pairs]
T274028	N/A	Bolt & nylock nut. 1/2" dia x 3" long [Pairs]
N/A	T812600	Shackle bolt. 1/2" x 3"
N/A	T812605	Shackle nut. 1/2"
N/A	T812711	Shackle bolt. M16 x 100
N/A	T812713	Shackle bolt. M16 x 85
N/A	TR8608A	Nylock nut. M16
N/A	T812715	Shackle bolt. M20 x 120
N/A	T812720	Shackle nut. M20
T274009	N/A	Lock tab set. For T284025/30/35
N/A	T812416	Lock tab 16mm slipper tandem
N/A	T812420	Lock tab 20mm slipper tandem

T274025



T812416



Trojan Spring Bushes

Part No: Packaged	Part No: loose	Dimension		
		ID	OD	Length:
T273010	T871200	5/8"	7/8"	2"
T273015	T871300	1/2"	7/8"	45mm
N/A	TS213M0	20mm	25mm	34mm
N/A	T871900	5/8"	7/8"	45mm

TS213M0



Trojan Axle Drops

Part No:	Description:
T592230	90mm Drop - Suits 50mm RHS - 39mm dia axle
T592234	90mm Drop - Suits 65mm RHS - 50mm dia axle
T592235	90mm Drop - Suits 50mm RHS - 50mm dia axle
T592240	60mm Drop - Suits 50mm RHS - 39mm dia axle

T592234



Wheel Rims

Trojan Galvanised Trailer Wheel Rims

Part No:	Dia:	Stud pattern:	Width:	Inside Offset:
T535003	12"	4 x 4"	4"	65mm
T535006	13"	5 x 4 1/2"	5"	85mm
T535011	13"	5 x 4 1/4"	5"	85mm
T535036	14"	5 x 4 1/2"	5 1/2"	95mm
T535055	15"	5 x 4 1/2"	6"	95mm
T535060	15"	6 x 5 1/2"	6"	90mm
T535065	16"	6 x 5 1/2"	6"	90mm



Wheel Rims - Various

For Trailer & Industrial Use

Part No:	Dia:	Centre:	Details:	Finish:
T533010	8"	4 x 4"	Suits 570 x 8" tyre	Galvanised
T533017	8"	25mm bearings	Integral hub & rim	Painted
T533018	8"	1" bearings	Integral hub & rim	Painted
T533020	10"	4 x 4"	Suits 500 x 10 tyre	Galvanised





Wheel & Tyre Assemblies

Wheel & Tyre Assemblies

Part No:	Dia:	Centre:	Tyre Details	Finish:
T522025	4"	5/8" bush	250 x 4" solid tyre	Galv
T522021	8"	25mm bearings	480 x 8" pneumatic tyre, intergral hub	Zinc
T522023	8"	1" bearings	480 x 8" pneumatic tyre, integral hub	Zinc
T522037	8"	4 x 4"	480 x 8" pneumatic tyre	Galv
T522039	8"	4 x 4"	570 x 8" pneumatic tyre	Galv
T522042	8"	4 x 4"	16 x 650 x 8" pneumatic tyre	Galv
T522049	8"	4 x 4"	22/11 x 8" pneumatic knobbly tyre	Galv
T522047	8"	4 x 4"	18 x 850 x 8" pneumatic tyre	Galv
T522050	10"	4 x 4"	145 x 10" pneumatic tyre	Galv
T522054	10"	4 x 4"	500 x 10" pneumatic tyre	Galv
T522045	12"	4 x 4"	145 x 12" x 4 ply, 375kg tyre	Galv
T522055	12"	4 x 4"	155 x 12" x 6 ply tyre	Galv
T522065	13"	5 x 4 1/2"	165 x 13" x 8 ply, 685kg tyre	Galv
T522075	13"	5 x 4 1/2"	175 x 13" x 8 ply, 740kg tyre	Galv
T522085	14"	5 x 4 1/2"	185 x 14" x 8 ply, 850kg tyre	Galv
T522095	13"	5 x 4 1/2"	195 x 13" x 8 ply, 900kg tyre	Galv

Note:

* Other sizes are available on request



Tyres

Tyres and Tubes

Part No:	Dia:	Tyre & Tube details:
T512045	12"	145 x 12" tyre 4 ply
T512055	12"	155 x 12" tyre 6 ply
T512065	13"	165 x 13" tyre 8 ply

TUBE REPLACEMENTS

Part No:	Dia:	Tyre & Tube details:
T512075	13"	175 x 13" tyre 8 ply
T512095	13"	195/50 x 13" tyre 8 ply
T512085	14"	185 x 14" tyre 8 ply
T512097	16"	215 x 75 / 16 x 16" tyre 8 ply



Mudguards

Mudguards - Folded with rolled edge, galvanised steel

Part No:	Axle Type:	Wheel Size:	Length:	Width:	Height:	Finish:
T316050	Single	13 - 14"	750mm	230mm	360mm	Galv
T316053	Single	13 - 14"	740mm	220mm	360mm	Galv
T316053ZG	Single	13 - 14"	740mm	220mm	360mm	Zintech
T316077	Single	13 - 14"	740mm	230mm	360mm	Bare
T316055	Tandem	13 - 14"	1500mm	230mm	360mm	Galv
T316058	Tandem	13 - 14"	1580mm	220mm	360mm	Galv
T316058ZG	Tandem	13 - 14"	1580mm	220mm	360mm	Zintech
T316079	Tandem	13 - 14"	1500mm	230mm	360mm	Bare

T316053



T316058



Mudguards - Curved with rolled edge, galvanised steel

Part No:	Axle Type:	Wheel Size:	Length:	Width:	Height:	Finish:
316020	Single	10"	550mm	195mm	290mm	Galv
316025	Single	10"	550mm	220mm	290mm	Galv
316030	Single	10"	560mm	230mm	290mm	Galv
316060	Single	13 - 14"	740mm	200mm	405mm	Galv
316062	Single	13 - 14"	740mm	230mm	405mm	Galv
316065	Tandem	13 - 14"	1500mm	200mm	405mm	Galv
316066	Tandem	13 - 14"	1500mm	230mm	405mm	Galv

T316020



T316065



Note: Other sizes can be made on request
Also alloy checker plate guards available on request

Mudguards - Plastic, includes built-in step

Part No:	Axle Type:	Wheel Size:	Length:	Width:	Height:	Colour
316003	Single	12"	855mm	190mm	250mm	Grey
316005	Single	13"	940mm	230mm	300mm	Grey
316006	Single	13"	940mm	230mm	300mm	White
316016	Single	14"	1080mm	250mm	350mm	Grey
316017	Single	14"	1080mm	250mm	350mm	White

316005



Note: All now sold as each





Jockey Wheels Economy Style

These Trojan Jockey Wheels are the 'wind-up' type and are available with a 'quick release' clamp (6" model only) or a 'swivel bracket'. When towing, the quick release type must be removed from the trailer. Brackets are multi-fit and swivel models are fitted with a 'double lock pin'. Finish is zinc plating.

Trojan Jockey Wheel - 150mm Solid Rubber Wheel (clamp style)

Fitted with a quick release Clamp type bracket allowing to position height adjustment and easy removal of the Jockey Wheel. Clamp bolts to drawbar. 150mm diameter solid rubber wheel which is fitted with a Nylon Bush. Rated at a capacity of 350kg. 220mm lift.

Part No:	Description:
T306150	Trojan Jockey Wheel - 150mm (clamp style)

SPARE PARTS	DESCRIPTION
Part No: T645663	Handle assembly
T629600	6" solid rubber wheel
T629593	Quick release clamp assembly



Trojan Jockey Wheel - 150mm Solid Rubber Wheel (swivel style)

Fitted with a multi fit swivel bracket which can either be bolted to drawbar or fitted using U Bolts. Swivel bracket allows Jockey Wheel to be stored parallel to drawbar. 150mm diameter solid rubber wheel which is fitted with a Nylon Bush. Spring loaded with double lock pin for safety. Rated at a capacity of 350kg. 220mm lift.

Part No:	Description:
T306155	Trojan Jockey Wheel - 150mm (swivel style)

SPARE PARTS	DESCRIPTION
Part No: T645663	Handle assembly
T629600	6" solid rubber wheel

U BOLT FITTING KITS

SPARE PARTS	DESCRIPTION
Part No: T271050	U bolt kit for fitment to a 50mm high drawbar
T271080	U bolt kit for fitment to a 76mm high drawbar
T271090	U bolt kit for fitment to a 100mm high drawbar



Jockey Wheels Economy Style

Trojan Jockey Wheel - 350mm x 4mm Pneumatic Tyre

Fitted with a multi fit swivel bracket which can either be bolted to drawbar or fitted using U Bolts. Swivel bracket allows Jockey Wheel to be stored parallel to drawbar. Steel wheel fitted with 410/350 x 4 pneumatic tyre and fitted with ball bearings. Spring loaded with double lock pin for safety. Rated at a capacity of 350kg. 220mm lift.

T306165

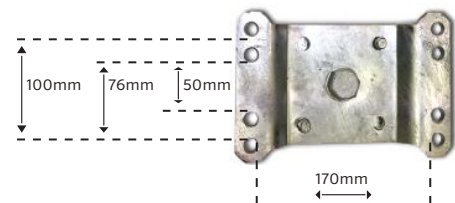


Part No:	Description:
T306165	Trojan Jockey Wheel - Pneumatic Tyre

SPARE PARTS	DESCRIPTION
Part No: T645663	Handle assembly
T629595	350 x 4 pneumatic wheel assembly

U BOLT FITTING KITS

SPARE PARTS	DESCRIPTION
Part No: T271050	U bolt kit for fitment to a 50mm high drawbar
T271080	U bolt kit for fitment to a 76mm high drawbar
T271090	U bolt kit for fitment to a 100mm high drawbar



Trojan Jockey Wheel - 200mm x 50mm Solid Tyre

Fitted with a multi fit swivel bracket which can either be bolted to drawbar or fitted using U Bolts. Swivel bracket allows Jockey Wheel to be stored parallel to drawbar. Galvanised steel wheel with a 200 x 50mm solid tyre and fitted with greasable roller bearings. Spring loaded with double lock pin for safety. Rated at a capacity of 350kg. 220mm lift.

T306160

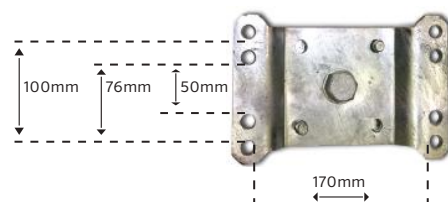


Part No:	Description:
T306160	Trojan Jockey Wheel - Solid Tyre

SPARE PARTS	DESCRIPTION
Part No: T645663	Handle assembly
T644109	Wheel & Tyre

U BOLT FITTING KITS

SPARE PARTS	DESCRIPTION
Part No: T271050	U bolt kit for fitment to a 50mm high drawbar
T271080	U bolt kit for fitment to a 76mm high drawbar
T271090	U bolt kit for fitment to a 100mm high drawbar





Jockey Wheels Premium Style

These Trojan Jockey Wheels are a premium product and offer many features including a folding handle. All components are galvanised and the mounting brackets are heavy duty. The 'Swivel Bracket' allows the Jockey Wheel to be folded away when towing and a double lock pin is fitted for safety. The 'Chassis Bracket' supplied with these Jockey Wheels are multi-fit allowing them to be welded, bolted or u-bolted to the trailer draw bar.

Folding handle shown in both folded and operating position.



Trojan Jockey Wheel - 150mm Solid Rubber Wheel

Fitted with a multi fit swivel bracket which can either be bolted to drawbar or fitted using U Bolts. Swivel bracket allows Jockey Wheel to be stored parallel to drawbar. Folding handle prevents accidental damage or injury. All components are galvanised. 6" solid rubber wheel. Double lock pin for safety. Rated at a capacity of 350kg. 250mm lift.

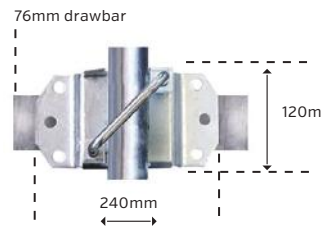
Part No:	Description:
T303105	Trojan Jockey Wheel - 150mm Solid Rubber

SPARE PARTS	DESCRIPTION
Part No: T644104	Handle assembly
T629600	6" Rubber Wheel

U BOLT FITTING KITS

SPARE PARTS	DESCRIPTION
Part No: T271080	U bolt kit for fitment to a 76mm high drawbar

T303105



Trojan Jockey Wheel - 200mm x 50mm Solid Wheel & Tyre

Fitted with a multi fit swivel bracket which can either be bolted to drawbar or fitted using U Bolts. Swivel bracket allows Jockey Wheel to be stored parallel to drawbar. Folding handle prevents accidental damage or injury. All components are galvanised. Galvanised steel wheel with a 200 x 50mm solid tyre and fitted with greasable roller bearings. Double lock pin for safety. Rated at a capacity of 350kg. 250mm lift.

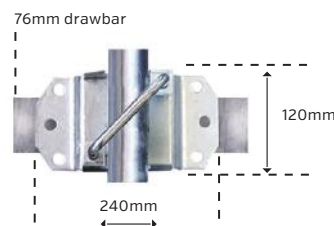
Part No:	Description:
T305107	Trojan Jockey Wheel - Solid wheel and tyre

SPARE PARTS	DESCRIPTION
Part No: T644104	Handle assembly
T644109	200 x 50 Wheel & Tyre

U BOLT FITTING KITS

SPARE PARTS	DESCRIPTION
Part No: T271080	U bolt kit for fitment to a 76mm high drawbar

T305107



Jockey Wheels Premium Style

Trojan Jockey Wheel - 250mm x 50mm Solid Rubber Tyre

This 250mm x 50mm solid rubber tyre is fitted to a plastic rim. Fitted with a multi fit swivel bracket which has a double lock pin for safety. All metal components are galvanised. Rated at a capacity of 350kg. 250mm lift.

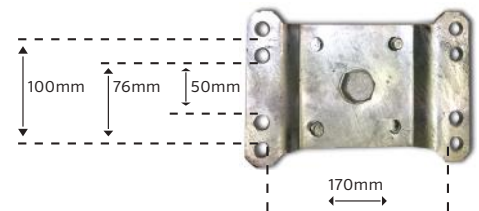
Part No:	Description:
T303108	Trojan Jockey Wheel - Solid Rubber Tyre

SPARE PARTS	DESCRIPTION
Part No: T644102	Handle assembly
T644112	Wheel 250 x 50 Solid Tyre

U BOLT FITTING KITS

SPARE PARTS	DESCRIPTION
Part No: T271050	U bolt kit for fitment to a 50mm high drawbar
T271080	U bolt kit for fitment to a 76mm high drawbar
T271090	U bolt kit for fitment to a 100mm high drawbar

T303108



Trojan Jockey Wheel -200mm x 50mm Heavy Duty Solid Wheel & Tyre

Fitted with a multi fit swivel bracket which can either be bolted to drawbar or fitted using U Bolts. Swivel bracket allows Jockey Wheel to be stored parallel to drawbar. Folding handle prevents accidental damage or injury. All components are galvanised. 250mm x 4" heavy duty solid wheel and tyre. Double lock pin for safety. Rated at a capacity of 350kg. 250mm lift.

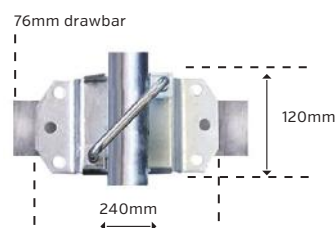
Part No:	Description:
T303109	Trojan Jockey Wheel - HD Solid wheel & tyre

SPARE PARTS	DESCRIPTION
Part No: T644104	Handle assembly
T644109	200 x 50 Wheel & Tyre

U BOLT FITTING KITS

SPARE PARTS	DESCRIPTION
Part No: T271080	U bolt kit for fitment to 76mm high drawbar

T303109





Jockey Wheels Premium Style

Trojan Jockey Wheel - 350mm x 4mm Pneumatic Tyre

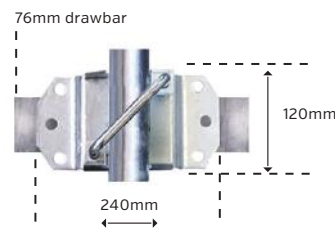
Fitted with a multi fit swivel bracket which can either be bolted to drawbar or fitted using U Bolts. Swivel bracket allows Jockey Wheel to be stored parallel to drawbar. Folding handle prevents accidental damage or injury. All components are galvanised. Galvanised steel wheel with 350 x 4" Pneumatic Tyre. Double lock pin for safety. Rated at a capacity of 350kg. 250mm lift.

T303115



Part No:	Description:
T303115	Trojan Jockey Wheel - Pneumatic Tyre

SPARE PARTS	DESCRIPTION
Part No: T644104	Handle assembly
T644107	350 x 4 Wheel & Tyre



U BOLT FITTING KITS

SPARE PARTS	DESCRIPTION
Part No: T271080	U bolt kit for fitment to 76mm high drawbar

Trojan Ezi-Shifta Ratchet Jockey Wheel

This Trojan Ezi-Shifta Jockey Wheel is designed to move your Caravan or Trailer with minimum effort. It is easy to operate and is capable of moving up to 2 tonne on an even surface with minimum effort. It has three functions - forward, reverse & stop/lock. It is fitted with a 10" solid rubber wheel and has a load capacity of 280kgs.

T303250



Part No:	Description:
T303250	Trojan Ezi-Shifta Ratchet Jockey Wheel

SPARE PARTS	DESCRIPTION
Part No: T644104	Handle assembly

Fulton F2™ Jack

The Fulton F2 Jack with 2000 lbs [900kg] lift capacity high performance jack. Heavy duty articulating foot plate. 175mm cast iron foot plate provides superior stability. 325mm of swivel mount height adjustment.

1413230134



Part No:	Description:
1413230134	Fulton F2 Jack 900kgs, wide track



Jockey Wheels Premium Style

Fulton F2™ Jack

Fulton Jack 1600 lbs [725kgs] swing away, bolt on steel construction, 10" travel, 8" poly wheels. Low maintenance, designed to eliminate the need for lubrication and maintenance. Corrosion resistant coatings over internal and external components.

1413040134



Part No:	Description:
1413040134	Fulton Jockey Wheel F2 Widetrack

Trojan Electric Jockey Wheel

The Trojan Motorized Jockey Wheel is designed to make moving your caravan, boat or heavy duty trailer in tight spots a breeze. The jockey wheel is made from high quality electrical and mechanical components and has been rigorously tested to ensure long life and reliability.

T307015



Part No:	Description
T307015	Trojan Electric Jockey wheel

Jockey Wheels - Fixed Type

Trojan Jockey Wheel - 300mm x 4mm Pneumatic Tyre

Fitted with 300 x 4 Pneumatic Tyre. Galvanised. Rated at a capacity of 180kgs.

T864800



T86480001



Part No:	Description:
T864800	Jockey Wheel
T86480001	Mounting bracket to suit T864800

SPARE PARTS	DESCRIPTION
Part No: T644107	Wheel & tyre





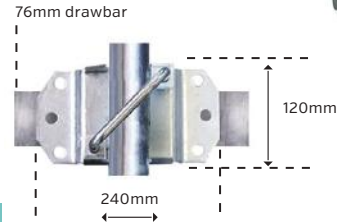
Jockey Stands - Trojan

Trojan Jockey Stand

Flat foot. Folding handle. Galvanised finish. Pivots horizontal when not in use. Can be bolted or U-bolted to trailer frame. Two types available.

Part No:	Capacity	Travel:	Restricted Length:
T303118	350kg	300mm	550mm
T303120	500kg	260mm	630mm

SPARE PARTS	DESCRIPTION
Part No: T271080	U bolt kit for fitment to 76mm high drawbar
T644102	Handle assembly for T303120
T644104	Handle Assembly Suit T303118



T303118



Trojan Jockey Stand

Flat foot. Fixed drop leg. Zinc plated finish. Fixed side wind handle. Requires welding to attach to trailer. Two stage extension. 70 x 70mm square outer body.

Part No:	Capacity	Travel:	Restricted Length:
T303122	2200kg	600mm	1300mm

T303122

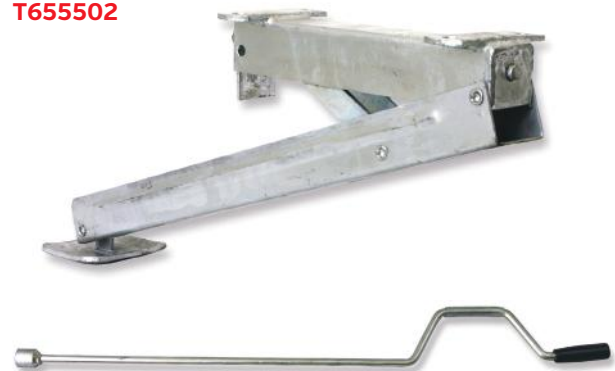


Trojan Corner Jack & Handle

Corner Stand. Scissors action. Zinc plated. Bolts to trailer chassis (can be welded). Pivoting foot pad. Maximum extended height at right angles 650mm. Note: This is not to be used to lift vehicles to change wheels.

Part No:	Description:
T655502	Corner Jack
T655702	Handle

T655502



Jockey Stands - Trojan

Trojan Electric Park Leg

12 DC volt only. Complete with three position switch & night light (pre-wired). Removable foot pad. Simple installation. 457mm travel.

Part No:	Capacity:
T307001	1350kg

SPARE PARTS	DESCRIPTION
Part No: T307013	Emergency handle

T307001



Trojan Electric Park Leg

12 DC volt only. Simple quick adjust 2nd stage leg. Built in overload clutch. Does require welding to attach to trailer. Optional three position switch available. Stroke of 530mm. Extended length 1879mm. Removable foot pad.

Part No:	Capacity:
T307007	3400kg

SPARE PARTS	DESCRIPTION
Part No: T307010	Three position switch & housing

T307007



T307010



Jockey Stands - Bulldog

Bulldog Parkleg Square SW Top - 3600kg

Bulldog's 3600kg support capacity square jack serves the agricultural, industrial, construction, horse / livestock trailer and utility/cargo/ trailer markets. The compact design of these jacks makes them ideal for tight fitting applications where 75mm and 100mm square tube jacks are too big.

Part No:	Description:	Rating:
T190708	Bulldog Parkleg square SWTop	3600kg

T190708





Winches Manual

Trojan Manual Winches are a high quality product especially suited for use on boat trailers but may suit many general winching requirements.

Trojan Manual Trailer Winches - Closed Top

Multi-fit base holes. Stainless steel shafts, pawls & pawl springs. Galvanised bodies & components. Wire guard fitted to drum gear. All winches except 1:1 model are dual ratio. 10:1 & 15:1 models are supplied with two handles. Winches can either be purchased loose [less wire & hook] or in a display carton [which includes wire & hook].

Part No:	Ratio:	Max Pull:	Wire Size:
TR85690	1:1	250kg	N/A
TR85700	3:1 & 1:1	500kg	N/A
TR85710	5:1 & 1:1	750kg	N/A
TR85720	10:1 & 5:1	1000kg	N/A
TR85730	15:1 & 10:1	1500kg	N/A
T461011	1:1	250kg	4mm x 6mtrs
T461013	3:1 & 1:1	500kg	4mm x 6mtrs
T461015	5:1 & 1:1	750kg	5mm x 7mtrs
T461020	10:1 & 5:1	1000kg	5mm x 7mtrs
T461023	15:1 & 10:1	1500kg	6mm x 10mtrs
T461045	5:1	900kg	strap
T461050	10:1	1130kg	strap

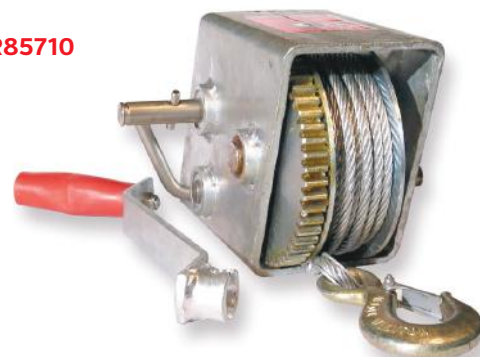
Service kits listed below include Pawl Handle & Spring, Pinion Gear, Brushes & Roll Pins.

SERVICE KITS

Part No:	Ratio:	Winch Model:
T800027	Service Kit	1-1 3-1 5-1
T800028	Service Kit	10-1
T800029	Service Kit	15-1

SPARE PARTS	DESCRIPTION	
Part No: T800025	Roll Pin Kit	All
T802255	Pawl Handle	1-1 3-1 5-1
T802253	Pawl Handle	10-1
T802259	Pawl Handle	15-1
T800240	Pawl spring	1-1 3-1 5-1
T800242	Pawl spring	10-1
T800244	Pawl spring	15-1
T809105	Pinion Gear	All
T809107	Bush 5/8"	All
T809108	Bush 3/4"	10-1 15-1
T802212	Handle	All

TR85710



T461011



SPARE PARTS	DESCRIPTION	
Part No: T800255	Handle grip	All
T800190	R Clip	All
T800160	Cable Clamp	All
T800225	Clamp Bolt & Nut	All



Fulton Winches

Fulton Winch F2™ 725kg

F2™ Winch, w/strap 725kgs capacity. Two piece corrosion resistant aluminum frame. One piece corrosion resistant aluminum handle. Dual gear drum operates smoothly. Left or right handed attachment. 2 position handle adjusts from 6" to 7" models available with or without 20' strap.

Part No:	Description:	Rating:
FW16000101	Fulton Winch F2™	725kg

FW16000101



Fulton Winch F2™ 900kg

900kgs capacity: Two piece corrosion resistant aluminum frame. One piece corrosion resistant aluminum handle: Dual gear drum operates smoothly. Centre drive enclosed ratchet system. User friendly pull-turn knob to engage ratchet plunger pin. Left or right handed handle attachment. 4 position handle adjusts from 6" - 9". Includes 20' strap with hook.

Part No:	Description:	Rating:
FW2000301	Fulton Winch F2™	900kg

FW2000301



Fulton Winch F2™ Speed 1500kg

One piece corrosion resistant aluminum frame. One piece corrosion resistant aluminum handle: Dual gear drum operates smoothly. Centre drive enclosed ratchet system. User friendly pull-turn knob to engage ratchet plunger pin. Left or right handed handle attachment. 4 position handle adjusts from 6" - 9". Includes 20' strap with hook.

Part No:	Description:	Rating:
FW32000101	Fulton Winch F2™	1500kg

FW32000101





Winch Wires & Ropes

Trojan Winch Wire Rope Hooks

Part No:	Diam:	Type:
T860012	10mm	S/Steel
T860011	12mm	S/Steel

T860010



Trojan Winch Wires

Made from galvanised wire and are complete with stainless steel hook.

Part No Packaged:	Part No loose:	Dia & Length:	Capacity:	Hook:
T491030	TR85870	4mm x 6mtr	600kg	10mm s/s
T491055	TR85760	5mm x 7mtr	1000kg	10mm s/s
T491090	TR85920	6mm x 10mtr	1500kg	Drop forge

T491030



Trojan Winch Ropes

No more cut hands! These winch ropes are manufactured from a high strength synthetic material. They offer very high strength and will not deteriorate or fracture like wire. Two versions offered. Black ropes are for smaller lighter boats and the Blue ropes are our premium product suitable for heavier boats. All ropes are supplied with fitted stainless steel hooks

Part No Packaged:	Part No loose:	Colours:	Length:	Capacity:	Dia:	Hook Dia:
T862018	T921830	Black	4mtrs	940kg	8mm	10mm
T862020	T921850	Black	5mtrs	940kg	8mm	10mm
T862029	T921860	Black	6mtrs	940kg	8mm	10mm
T862034	T921740	Blue	4mtrs	1000kg	6mm	10mm
T862035	T921750	Blue	5mtrs	1500kg	6mm	12mm
T862036	T921760	Blue	6mtrs	1500kg	6mm	12mm
T862037	T921770	Blue	7mtrs	1500kg	6mm	12mm
T862038	T921780	Blue	8mtrs	1500kg	6mm	12mm
N/A	T921781	Blue	9mtrs	1500kg	6mm	12mm



Rollers

Trojan Rubber Keel Rollers

Trojan offer a wide range of Rollers and Bow Blocks to suit all applications

Part No:	Type:	Profile:	Overall Length:	Flange Dia:	Centre Dia:	Centre Length:	Bore Dia:
TR85160	MK2	A	80mm	90mm	60mm	40mm	16mm
TR85170	MK3	A	75m	57mm	40mm	40mm	16mm
TR85195	MK10	C	130mm	90mm	60mm	55mm	16mm
TR85190	MK5	A	140mm	90mm	60mm	100mm	16mm
TR85180	MK4	A	180mm	90mm	60mm	40mm	16mm
TR85193	MK8	B	200mm	80mm	60mm	140mm	20mm
T415021		D	200mm	70mm	45mm	N/A	16mm



Trojan Rubber Side Rollers

Trojan offer a wide range of Rollers and Bow Blocks to suit all applications

Part No:	Length:	Dia:	Bore Dia:
TR85220	100mm	63mm	16mm
TR85230	200mm	63mm	16mm



Trojan Rubber Self Centre Rollers

Trojan offer a wide range of Rollers and Bow Blocks to suit all applications

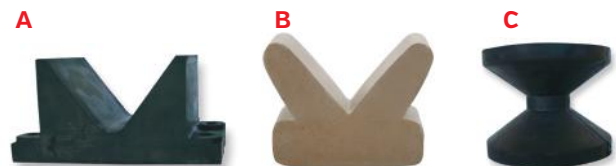
Part No:	Length:	Dia:	Bore Dia:
TR85240	290mm	80mm	3/4"



Trojan Rubber Bow Snub Blocks & Rollers

Trojan offer a wide range of Rollers and Bow Blocks to suit all applications

Part No:	Type:	Description:
TR85250	A	V Block, 160mm long x 75mm wide, 4 bolt mount.
TR85260	A	V Block, 150mm long x 45mm wide, 4 bolt mount.
T414005	C	V Roller, 100mm dia x 75mm wide, 1/2" bore.
T415041	B	V Block, 95mm long x 85mm wide, swivel mount. Grey.





Rollers

Wobble Rollers

Wobble rollers are used to support the boat on the trailer and can be used with or without keel rollers. Because of their large diameter and width, they offer excellent support and rolling action. For bracket assemblies to suit

Part No:	Colour:	Tread:	Dia:	Width:	Bore Dia:
T414032	Blue	Ribbed	112mm	73mm	26mm
T415101	Grey	Ribbed	112mm	73mm	26mm

T414032



Urethane Keel Rollers - Dark Blue

These are fitted with a galvanised pipe bush.

Part No:	Overall Length:	End Dia:	Centre Dia:	Bore Dia:
T415037	200mm	71mm	45mm	22mm
T415031	302mm	80mm	55mm	22mm

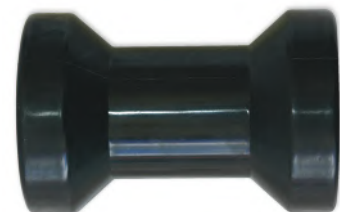
T415037



Urethane Winch Post Rollers - Black

Part No:	Overall Length:	End Dia:	Centre Dia:	Bore Dia:
T415033	116mm	77mm	50mm	18mm

T415033



Urethane Winch Post Roller End Caps - Black

These can be used with part 415033 winch post roller

Part No:	Overall Length:	End Dia:	Centre Dia:	Bore Dia:
T415035	63mm	77mm	48mm	18mm

T415035



Roller Hardware

Trojan Chine Support Roller Assembly

Used for supporting the chine of smaller trailer boats. Galvanised bracket. 100mm long roller. Plate Included

T2922ASSY



Part No:	Description:
T2922ASSY	Trojan Chine Support Roller Assembly

Trojan Wobble Roller Bracket Assemblies

For mounting wobble rollers to trailer. Galvanised bolts. Two types available. Note: Rollers are not included [refer to page 56 for wobble roller options].

T440030



Part No:	Description:
T440020	Dual Roller Assembly
T440030	Quad Roller Assembly

T440020

Wobble Roller Bracket Assembly Fittings

U-bolts & plates used for mounting wobble roller brackets to the trailer chassis. One plate and two u-bolts are required for each bracket.

Part No:	Part No (loose / each):	Description:	Units:
T441005	T813968	U-bolts M10 x 43sq x 112mm	2/pk
T441010	T307800	U-bolt plate to suit 64mm chassis	1/pk
T441015	T307900	U-bolt plate to suit 76mm chassis	1/pk
T441020	T308000	U-bolt plate to suit 89mm chassis	1/pk
T441025	T308100	U-bolt plate to suit 102mm chassis	1/pk





Roller Assemblies

Roller Pins - Stainless Steel

These pins suit most common keel and side rollers

Part No:	Overall Length:	Hole Centres:	Dia:
TR85500	115mm	100mm	5/8"
TR8550S	120mm	105mm	5/8"
TR85510	140mm	120mm	5/8"
TR85520	180mm	155mm	5/8"
TR85530	225mm	215mm	5/8"
TR85540	240mm	225mm	5/8"
TR85550	340mm	325mm	3/4"

TR85500



Split Pins & Washers for Roller Pins - Stainless Steel

These suit 5/8 and 2/4 stainless pins

Part No Pack:	Part No Loose:	Description:
T432005 [10/pk]	TRC000001	Split pin 1/8" x 1" S/S
T432010 [6/pk]	T0058SS	Washer 16mm flat S/S
T432015 [4/pk]	T0034SS	Washer 19mm flat S/S



Roller U-Brackets

Used for mounting rollers to the trailer chassis. Bare metal

Part No:	Inside Width:	To suit Roller:
T288700	80mm	MK3 Keel
T288800	90mm	MK2 Keel
T292200	110mm	100mm Side
T292300	210mm	200mm Side
T293800	145mm	MK5 & MK10 Keel



Roller Bushes

Used for mounting rollers to the trailer chassis.

Part No Loose:	Part No Pack:	Description:
TR85590	441005 [4/pk]	Bush 16mm ID, 20mm OD, 28mm long
TR85600	441010 [4/pk]	Bush 16mm ID, 20mm OD, 45mm long
TR85610	N/A	Bush 19mm ID, 24mm OD, 45mm long



Towballs

Trojan Towballs

All Tow Balls comply with NZ Standard 5232 - 1993. Note: T541024 Towball suits Trojan Load Levellers T993921 & T993925

Part No:	Ball Dia:	Shank Dia / length:	Capacity:	Finish:
T541005	1 7/8"	3/4" x 60mm	2000kg	Chrome
T541024	1 7/8"	7/8" x 60mm	3500kg	Chrome
T541011	1 7/8"	1" x 60mm	3500kg	Zinc
T541025	50mm	3/4" x 60mm	2000kg	Chrome
T541026	50mm	7/8" x 50mm	3500kg	Chrome
T541028	50mm	1" x 60mm	3500kg	Zinc
T541036	2 5/16"	1" x 55mm	3400kg	Chrome

T541026



Trojan Duo-Balls

Change your Towball size in seconds! Each kit contains one 1 7/8" ball and one 50mm ball.

Part No:	Ball Dia:	Shank Dia:	Capacity:
T543005	1 7/8" & 50mm	3/4"	2000kg
T543010	1 7/8" & 50mm	1"	3500kg

SPARE PARTS	DESCRIPTION
Part No: T543013	50mm Ball only
T543015	1 7/8" Ball only

T543005



Towball Accesories

Trojan Chrome Towball Covers

Clips on securely. Fits 50mm & 1 7/8" Towballs

Part No:	Description:
T541050	Towball cover - each, blister packaged
T540085	Towball cover - bulk (order 12 to receive display box)

T541050



Trojan Rubber Shin Protectors

Made of soft rubber, the shin protector fits over the towbar and prevents bruised legs if walked into. Simple to fit and fits all sized towbars.

Part No:	Description:
T541106	Shin Protector - each, packaged
T540062	Shin Protector - bulk (order 18 to receive display box)

T541106



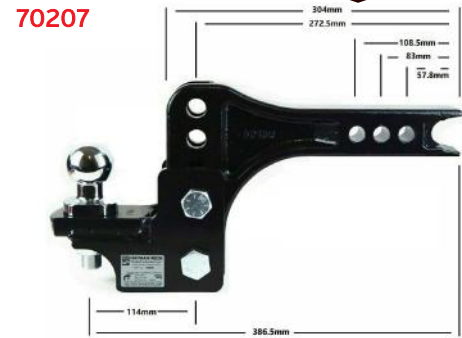


Ball Mount, Accessories & Hardware

HR Towball Mount Adjustable Heavy Duty

Pro Series Heavy Duty Adjustable Tow Ball Mount, 90mm Maximum Drop, 114mm Maximum Rise, Rated to 3,500KG

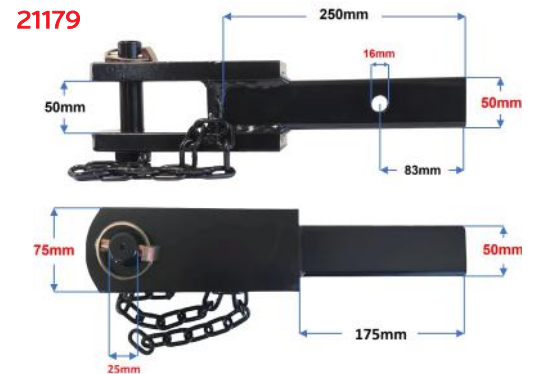
Part No:	Description:
70207	Towball Mount Adjustable Heavy Duty



HR Clevis Mount

HR Clevis Mount & Pin, Rated up to 3,500KG

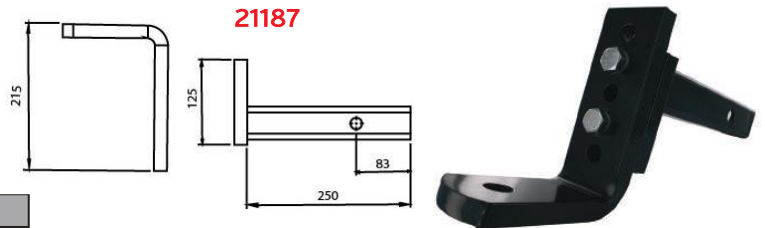
Part No:	Description:
21179	Clevis Mount



HR Towball Mount Adjustable Standard

HR Adjustable Tow Ball Mount, Rated up to 1,500KG

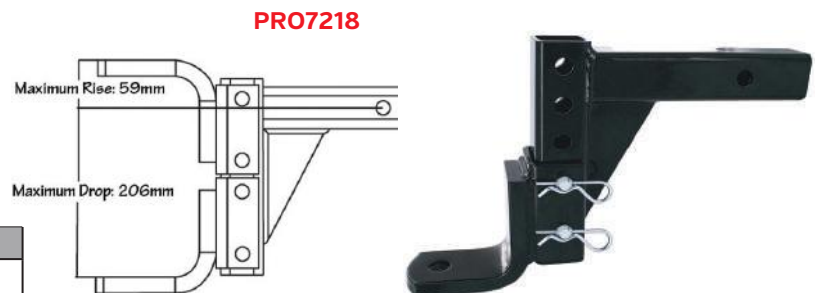
Part No:	Description:
21187	Towball Mount Adjustable Standard



Pro Towball Mount Adjustable Standard QR

Pro Series Heavy Duty Adjustable Tow Ball Mount, 206mm Maximum Drop, 59mm Maximum Rise, Rated to 2,750KG

Part No:	Description:
PRO7218	Towball Mount Adjustable Standard QR



HR Towball Mount Standard 193mm

HR Tow Ball Mount. 98mm Drop, 166mm Shank Length Rated to 3,500KG

Part No:	Description:
PRO7012	Towball Mount Standard 193mm



Ball Mount, Accessories & Hardware

Pro Towball Mount Standard 227mm

Pro Series Tow Ball Mount. 98mm Drop, 200mm Shank Length Rated to 3,500KG

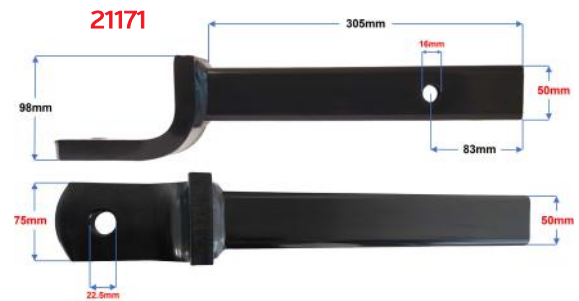
Part No:	Description:
PRO7011	Towball Mount Standard 227mm



HR Towball Mount Standard 332mm

HR Series Tow Ball Mount. 98mm Drop, 305mm Shank Length Rated to 2,500KG

Part No:	Description:
21171	Towball Mount Standard 332mm



Pro Towball Spanner

Multi-fit towball spanner, Fits Towball nut, snap up bracket bolt, D shackle tongue bolt and adjustable mount bolts and nuts, purchase in packs of 10.

Part No:	Description:
PRO7005	Towball spanner



HR Pintle Hook Adaptor

HR Adjustable Pintle Hook Adapter. Rated up to 4,000KG

Part No:	Description:
21224	Pintle Hook Adapter



Pro Recovery Hitch

Pro Series Recovery Hitch, Rated up to 4,750KG

Part No:	Description:
PRO7223	Recovery Hitch





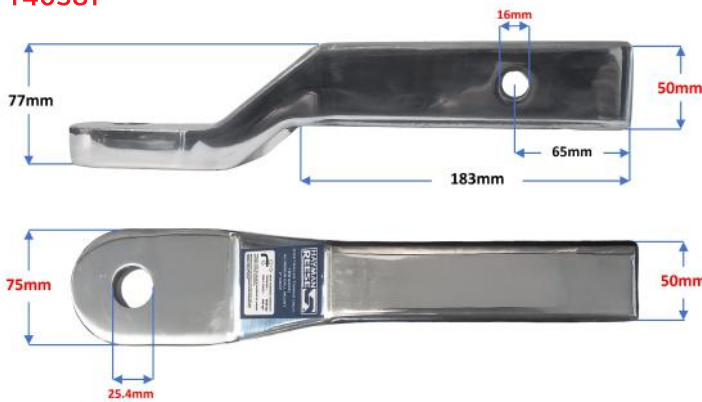
Ball Mount, Accessories & Hardware

HR Aluminum Towball Mounts

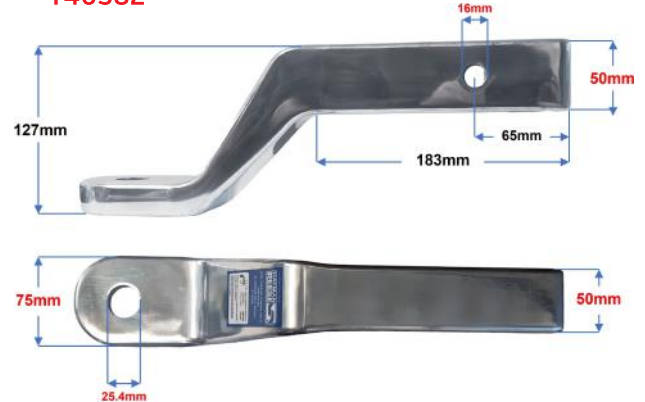
The best way to even out a load is to select the best fitting ball mount. Ball mounts vary by weight rating, shaft length and rise / drop to suit each of the applications. Also available is a T570300 Security hitch pin lock. Fits 1" shank tow ball.

Part No:	Capacity:	Length:	Rise:	Drop:	Receiver:	Finish:
T40381	3600kg	9"	1"	2"	Suits 2"	Aluminum
T40382	3600kg	9"	3"	4"	Suits 2"	Aluminum

T40381



T40382



Hitch Pins and Hitch Locks

Protects your trailer ball mount from theft. Protective cap shields lock mechanism. Suitable for hitches from 65mm to 80mm. R Clip supplied for extra security. Quick and simple to use.

Part No:	Description:
T570300	Stainless Steel Locking Hitch Pin
55039	Clevis Pin Non-Locking

T570300



Fold-away Draw Bar Bracket

These Swivel brackets allow the trailer draw bar to be folded 180 degrees horizontally. Ideal for use where parking space is at a premium. These brackets are only suitable for fitment to single pole draw bars. Two types are available being weld on or bolt on. The bolt on version is zinc plated while the weld on is bare steel. These are rated at 2200kg

Part No:	Size:	Type:
HDPW330300	3"x3"	Weld on
HDPB330101	3"x3"	Bolt on



Drop-Locks & Eye Plates

Trojan Drop Locks

Used to secure Trailer tailgate.

Part No:	Part No (Pkgd 2/pk):	Description:
T323200	T331010	Weld on, short, 10mm dia x 12mm long
T03275P	T331015	Weld on, long, 10mm dia x 45mm long
T327400	T331008	Weld on, short, 8mm dia x 10mm long
T324000	N/A	Bolt on, M10 female thread
T032751	T331018	Bolt on, M12 male thread, 25mm long
T032752	T331020	Bolt on, M12 male thread, 45mm long
T328500	N/A	Bolt on, M8 male thread, 20mm long
T329020 & T32902R	T331025	Screw on - Angled left & right
T329010	T331030	Screw on - straight

T329010



T323200



Eye Plates

To be used with Droplocks to secure Trailer tailgate.

Part No [loose]:	Part No (Pkgd 2/pk):	Description:
T1002S0	T331060	3" long
T100200	T331065	6" long

T100200



D-Shackles

Trojan D-Shackles - Galvanised

Not recommended for lifting purposes.

Part No [loose]:	Part No (Pkgd):	Description:
TAG4100	T335005	6mm Galvanised D-Shackle, 400kg breaking strain
TAG4200	T335010	8mm Galvanised D-Shackle, 800kg breaking strain
TAG4300	T335015	10mm Galvanised D-Shackle, 1200kg breaking strain
TAG4400	T335017	12mm Galvanised D-Shackle, 2400kg breaking strain

TAG4200



Trojan D-Shackles - Stainless Steel

Great for Marine application! Made from 316 graded stainless steel. Not recommended for lifting purposes.

Part No [loose]:	Part No (Pkgd):	Description:
T870008	T375008	8mm S/S 316 D-Shackle
T870010	T375010	10mm S/S 316 D-Shackle
T870012	T375012	12mm S/S 316 D-Shackle

T870006





D-Shackles

Trojan D-Shackles - High Tensile

T870006

To be used with safety chain. Galvanised finish.

Part No (loose):	Part No (Pkgd):	Description:
T820006	T335018	10mm, suitable for Trailers up to 1500kg gross weight.
T820008	T335020	11mm, suitable for Trailers up to 2000kg gross weight.



Body Hardware

Trojan Lynch Pins

TAG0001

Part No (loose):	Part No (Pkgd):	Description:
TAG0001	T333005	6mm dia
TAG0002	T333010	8mm dia
TAG0004	T333015	10mm dia



Rubber Bonnet Fasteners

T530100

Part No (loose):	Part No (Pkgd):	Description:
T530100	T336070	Small fastener, 63mm.
T530000	T336075	Large fastener, 125mm.



Spring Bolts

Part No (loose):	Part No (Pkgd):	Description:
T000837	T331090	12mm dia pin
T000863	T331092	16mm dia pin

T000837



Hinge Straps

Part No (loose):	Part No (Pkgd):	Description:
THS000312	T332005	3" long, 1/2" eye
THS000358	N/A	3" long, 5/8" eye
THS100012	N/A	12" long, 1/2" eye
THS100058	N/A	12" long, 5/8" eye
THS100018	N/A	18" long, 1/2" eye

THS000312



Body Hardware

Hinge Pins

Part No (loose):	Part No (Pkgd):	Description:
T104600	T332100	1/2" dia, weld on
T1046058	N/A	5/8" dia, weld on
T101600	T332120	1/2" dia, bolt on

T104600



Trojan R Clips

Part No:	Description:
TAG0005	2mm dia
TAG0006	3mm dia
TAG0007	4mm dia
TAG0008	5mm dia
T334006	2x2mm dia & 2x3mm dia, Packaged
T334008	2x4mm dia & 2x5mm dia, Packaged



Trojan Safety Chain Kits

Part No:	Description:
T335108	1 x 8mm dia 10 link rated chain & 11mm shackle. Includes Bolt & Safety Chain Washer. 2000kg.
T335109	As above but bulk pack of 10.
T335110	2 x 7mm dia 11 link rated chain & 10mm shackle. 4000kg.



Trojan Safety Chain Fittings

Part No:	Description:
T336058	Safety chain washer & bolt



Trojan Chain Mate

No more lost D-Shackles! Quick and simple to use. Secures safety chain to Towbar quickly. Two mounting options. Zinc plate finish.

Part No:	Description:
T336056	Chain Mate, rated to 2000kg



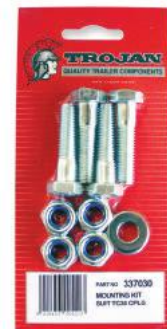


Body Hardware

Trojan Bolt Kits

Bolts required for fixing product to the Trailer Chassis. Includes bolts, nuts & washers.

T337020



Part No:	Description:	Size:	Qty p/Pack:
T337020	For mounting Duratorques	M12 x 40mm	4
T337030	For mounting TC30 Couplings	M10 x 40mm	4
T337040	For mounting HTC/TC40 Couplings	M12 x 90mm [x2] M12 x 115mm [x2]	4

Trojan Coupling Mounting Plate

T774550



Part No:	Description:
T774550	Mounting plate drilled for TC30 Trojan couplings. 150 x 80 x 10mm. Bare metal.
T574558	Mounting plate drilled for Trojan override couplings. 220 x 80 x 10mm. Bare metal

W.O.F & Registration Holders

Part No [loose]:	Part No [Pkgd]:	Description:
T825005	T367005	W.O.F holder, plastic
T825007	T367010	Registration holder, plastic



Door Locks - Universal Fitting

Part No:	Description:
T812170	T handle with keyed lock. Stainless Steel with adjustable catch Plate. Mounting hole Dimensions 100mm x 85mm
T812173	Flush mount with keyed lock. Black finish. Face size 80mm x 35mm
T812175	Flush mount with keyed lock. Black finish. Face size 100mm x 50mm
T812177	Flush mount with keyed lock. Chrome finish. Face size 80mm x 35mm
T812179	Flush mount with keyed lock. Chrome plated. Face size 100mm x 50mm



Lashing Points

Trojan Lashing Loop

Flush mounted, recessed corner deck ring. Bolt through the floor and chassis for a strong unobtrusive lashing point.

Part No (loose):	Part No (Pkgd):	Description:
T535083	T332250	Lashing Loop



Rope Hooks

Alloy rope hooks, two sizes available

Part No (loose):	Part No (Pkgd):	Description:
T873600	T332215	Alloy hook - small
T873700	T332220	Alloy Hook - large





Trailer Kits

Trojan's Trailer Kits make manufacturing a trailer simpler by offering a 'one part number' kit that includes all the components you require. We have a range of both single axle and tandem axle Trailer Kits listed below. Please note, Trailer Kits don't include framing steel.

List of Trailer Kits	Part No	Description
	TTRK001	Trailer Kit 1 - up to 1500kg. Single axle 13" Wheels
	TTRK002	Trailer Kit 2 - up to 2250kg. Tandem axle 14" Wheels
	TTRK002SS	Trailer Kit 2 - up to 2250kg. Tandem axle 14" Wheels SS Running Gear
	TTRK004	Trailer Kit 4 - up to 1500kg. Single axle 14" Wheels
	TTRK005	Trailer Kit 5 - up to 1500kg. Tandem Rocker axle 14" Wheels
	TTRK006	Trailer Kit 6 - up to 2500kg. Low Ride Tandem axle 13" 195/50R13 Wheels
	TTRK007	Trailer Kit 7 - up to 1500kg. Single Axle Less Axle Tube 14" Wheels
	TTRK008	Trailer Kit 8 - Tandem axle. Non-braked. No Axle. 14" Wheels

TTRK001 - contains:	Part No (Loose)	Material Description	Quantity
	T000B4PH	Plug Holder Flat Plastic	1
	T822000	Plug 7 Pin Flat Unpack (Male)	1
	T122035	Hub and Stub Kit Ford incl. Bearings and seals	1
	T266150	Spring Kit 1500kg Incl H/Ware	1
	T271080	Jockey Wheel U Bolts	1
	T303105	Jockey Wheel 6" Solid Rubber	1
	T316053	Pair of Galvanized guards	1
	T335108	Safety chain & Shackle H/T 2000kg	1
	T371072	Led Combo Light - LH	1
	T371074	Led Combo Light - RH	1
	T522065	Wheel 165x13 Tyre 8 Ply Galv	2
	T992200	Axle Tube - 50x50 - 2200mm	1
	T993965	Coupling TC30 1-7/8"	1

TTRK002 - contains:	Part No (Loose)	Material Description	Quantity
	T000B4PH	Plug Holder Flat Plastic	1
	T822000	Plug 7 Pin Flat Unpack (Male)	1
	T122035	Hub and Stub Kit Ford incl. Bearings and seals	1
	T135135	Hub and Stub Kit 1500Kg D/B 5X41/2X1/2	1
	T202664	Coupling Hyd Override 1 7/8	1
	T271080	Jockey Wheel U Bolts	1
	T284038	Tandem Slipper Eye 2200 Kg	1
	T303108	Jockey Wheel 250 X 50	1
	T316058	Guard Sq 215X1560 Tandem Galv	1
	T335110	Safety chains & Shackles Ht4T Mtm	1
	T371072	Led Combo Light - LH	1
	T371074	Led Combo Light - RH	1
	T371055	Light Led Marker Amber	2
	T522085	Wheel 185X14 Tyre Galv	4
	T867600R	Copper Tubing 3/16 15M Roll	1
	T873200	Clip Chassis S/S Small 3/16"	20
	T992200	Axle Tube - 50X50 - 2200Mm	2
	TPT1021	Hose Kit - Single Axle	1
	TPT1098	Caliper Set. Hyd C/Iron	1



Trailer Kits

TTRK002SS -
contains:

Part No [Loose]	Material Description	Quantity
T000B4PH	Plug Holder Flat Plastic	1
T000B4U	Plug 7 Pin Flat - Male	1
T122035	Hub and Stub Kit Ford incl. Bearings and seals	1
T136335	Hub and Stub Kit 225 Stainless Steel Disc 5x4 1/2x1/2	1
T202664	Coupling Hyd Override 1 7/8"	1
T271080	Jockey Wheel U Bolts	1
T284038	Tandem Slipper Eye 2200 kg	1
T303108	Jockey Wheel 250 X 50	1
T316058	Guard Sq 215 x 1560 Tandem Galv	1
T335110	Safety chains & Shackles HT4T MTM	1
T371072	Led Combo Light - LH	1
T371074	Led Combo Light - RH	1
T371055	Light Led Marker Amber	2
T522085	Wheel 185 x 14 Tyre Galv	4
T867600R	Copper Tubing 3/16 15M Roll	1
T873200	Clip Chassis S/S Small 3/16"	20
T992200	Axle Tube - 50 x 50 - 2200mm	2
TPT10211	Hose Kit - Single Axle S/Steel	1
TPT1298	Caliper Set Hyd S/Steel	1

TTRK004 -
contains:

Part No [Loose]	Material Description	Quantity
T000B4PH	Plug Holder Flat Plastic	1
T000B4U	Plug 7 Pin Flat - Male	1
T122035	Hub and Stub kit 5X4 1/2X1/2" 160 Hub 39S/A	1
T266150	Spring Kit 1500kg Incl H/Ware	1
T271080	Jockey Wheel U Bolts	1
T303105	Jockey Wheel 6" Solid Rubber	1
T316053	Guard Sq 215X740 Single Galv	1
T335108	Safety chain & Shackle H/T2000kg	1
T371072	Led Combo Light - LH	1
T371074	Led Combo Light - RH	1
T522085	Wheel 185X14 Tyre Galv	2
T992200	Axle Tube - 50X50 - 2200mm	1
T993965	Coupling TC30 1-7/8" Only Red Handle	1





Trailer Kits

TTRK005 - contains:	Part No [Loose]	Material Description	Quantity
	T000B4PH	Plug Holder Flat Plastic	1
	T122035	Hub and Stub Kit 5X4 1/2X1/2" 160 Hub 39S/A	1
	T135135	Hub and Stub Kit 1500Kg D/B 5X41/2X1/2	1
	T202664	Coupling Hyd Override 1 7/8	1
	T271080	Jockey Wheel U Bolts	1
	T303108	Jockey Wheel 250 X 50	1
	T316058	Guard Sq 215X1560 Tandem Galv	1
	T335110	Safety Chains & Shackles Ht4T Mtm	1
	T371071	Led Combo Light Pack - Multi Volt	1
	T371055	Light Led Marker Amber	2
	T522085	Wheel 185X14 Tyre Galv	4
	T812052	Plate - U-Bolt - Multi-Fit	4
	T813830	U Bolt M12 X 51Sq X 130 Gd 8.8 C/W Nuts	8
	T867600R	Copper Tubing 3/16 15M Roll	1
	T871500	Tandem 2.5T Unmounted Double Eye Rocker	1
	T873200	Clip Chassis S/S Small 3/16"	20
	T992200	Axle Tube - 50X50 - 2200Mm	2
	TPT1021	Hose Kit - Single Axle	1
	TPT1098	Caliper Set. Hyd C/Iron	1

TTRK006 - contains:	Part No [Loose]	Material Description	Quantity
	T000B4PH	Plug Holder Flat Plastic	1
	T122035	Hub and Stub Kit 5X4 1/2X1/2" 160 Hub 39S/A	1
	T135135	Hub and Stub Kit 1500Kg D/B 5x4 1/2X1/2"	1
	T202664	Coupling Hyd Override 1 7/8"	1
	T271080	Jockey Wheel U Bolts	1
	T303108	Jockey Wheel 250 x 50	1
	T316058	Guard Sq 215X1560 Tandem Galv	1
	T335110	Safety Chains & Shackles HT4T mtm	1
	T371071	Led Combo Light Pack - Multi Volt	1
	T371055	Light Led Marker Amber	2
	T522095	Wheel 195/50X13 8PI Tyre	4
	T867600R	Copper Tubing 3/16 15M Roll	1
	T871500	Tandem 2.5T Unmounted Double Eye Rocker	1
	T873200	Clip Chassis S/S Small 3/16"	20
	TPT1098	Caliper Set. Hyd C/Iron	1
	TPT1021	Hose Kit - Single Axle	1
	T812052	Plate - U-Bolt - Multi-Fit	4
	T992200	Axle Tube - 50X50 - 2200mm	2
	T813830	U Bolt M12 X 51sq X 130 Gd 8.8 C/W Nuts	8



Trailer Kits

TTRK007 -
contains:

Part No [Loose]	Material Description	Quantity
T000B4PH	Plug Holder Flat Plastic	1
T1002S0	Eyeplate 3 Inch	4
T104600	Gudgeon 1/2 Weld On	4
T122035	Hub and Stub Kit 5X4 1/2X1/2" 160Hub 39S/A	1
T266150	Spring Kit 1500Kg Incl H/Ware	1
T303108	Jockey Wheel 250 X 50	1
T303105	Jockey Wheel 6" Solid Rubber	1
T323200	Drop Lock - Weld On	4
T335108	Safety Chain & Shackle H/T2000Kg	1
T371071	Led Combo Light Pack - Multi Volt	1
T522085	Wheel 185X14 Tyre Galv	2
THS100012	Hinge Strap 12 X 1/2	4
T993965	Coupling TC30 1-7/8" Only Red Handle	1

TTRK008 -
contains:

Part No [Loose]	Material Description	Quantity
T000B4PH	Plug Holder Flat Plastic	1
T1002S0	Eyeplate 3 Inch	4
T104600	Gudgeon 1/2 Weld On	4
T122035	Hub and Stub Kit 5X4 1/2X1/2" 160 Hub 39S/A	1
T284038	Tandem Slipper Eye 2200 Kg	1
T303108	Jockey Wheel 250 X 50	1
T316058	Guard Sq 215X1560 Tandem Galv	1
T323200	Drop Lock - Weld On	4
T335108	Safety Chain & Shackle H/T2000kg	1
T371025	Light Led Marker Amber 12-24V	2
T993965	Coupling TC30 1-7/8" Only Red Handle	1
T371071	Led Combo Light Pack - Multi Volt	1
T522085	Wheel 185X14 Tyre Galv	4
THS100012	Hinge Strap 12 X 1/2	4





Weight Distribution & Sway Control



Trojan Load Leveller's are weight distribution hitches which fit onto the drawbar of the trailer and are connected to the vehicles tow bar by way of two parabolic springs. By adjusting the spring tension, tail sag caused by the drawbar weight on the tow bar can be all but eliminated and in doing so weight is transferred over the entire length of the tow vehicle and trailer resulting in a level ride, more control and stability and safer braking. Trojan offer two different load levellers.

Trojan Load-Leveller

This Load Leveller is suitable for fitment to caravans with a maximum nose weight of 160kg. Adjustment is achieved by tensioning the leaf springs by way chain links being slotted into the brackets fitted to the trailer draw bar. All components are electro zinc plated.

Part No:	Description:
T993921	160kg capacity.



Trojan Load-Leveller Chain Tensioner

Allows the easy tensioning of the springs fitted to the above Load Leveller. The bar is 600mm long.

Part No:	Description:
T993930	Load-Leveller Chain Tensioner



Trojan Load-Leveller Heavy Duty

This Load Leveller is for fitment to larger caravans with a maximum nose weight of 240kg. Adjustment is by way of wind up spring tensioner's with graduated load markings. Features include fold away handles and quick attachment / release springs plus built in anti sway mounts. All components are heavy duty and are zinc plated.

Part No:	Description:
T993925	240kg capacity



Mirrors

Camco Blind Spot Mirrors

Convex wide angle mirrors to help eliminate blind spots. Adjustable 360° mirror rotates for different driving positions. Large mirror surface effectively increases viewing angles.

Part No:	Description:
T255930	Set of 2



Trojan Extension Towing Mirror

These mirrors offer superior quality and design. Fits most pickups, sport utilities and van mirrors. 50 x 128mm mirror. Arms adjust to fit existing mirrors. Simple to fit.

Part No:	Description:
T539080	Arms adjust between 140 to 230mm high



Trojan Extension Towing Mirror

These mirrors offer superior quality and design. Fits most passenger car side mirrors. 150 x 128mm mirror. Arms adjust to fit existing mirrors

Part No:	Description:
T539090	Arms adjust between 90 to 180mm high



Trojan Extension Towing Mirror - Extra Large

Easy installation. Suitable for towing caravans, campers, boats etc. Mounts onto door. Extra large stainless steel mirror head.

Part No:	Description:
T539100	Extends from 330 to 470mm





Spare Wheel Bracket & Towing Flag

Trojan Universal Spare Wheel Mount

A universal fitting spare wheel mount bracket that will fit most trailers and wheels. Suits 4 & 5 stud wheels. Suits pitch circles from 4" to 5". Includes security lock. Fits 50 to 100mm RHS drawbars. Galvanised finish.



Part No:	Description:
T535080	Spare Wheel Mount

Trojan Over-length towing Flag

Traffic regulations require all loads that extend past the rear of a trailer by 1.2 metres or more to be indicated by a flag at least 300mm in size. Trojan have designed this Towing Flag especially for boat trailers as a tilted outboard normally exceeds the allowed overhang. Simply fit the bag over the propeller and fasten with the draw cord. For night time use, the flag is available with an LED battery light.



Part No:	Description:
T576005	Flag bag with Light (No batteries incl.)
T576010	Flag bag

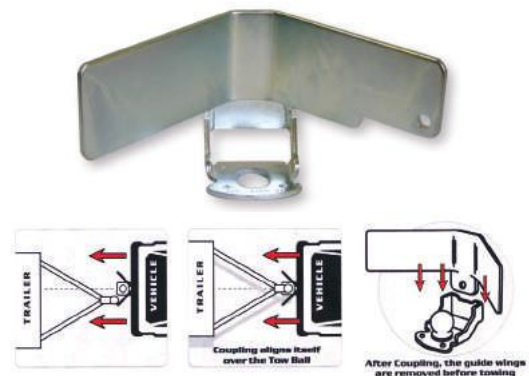


Coupling Alignment Accessory

Couple-Mate Coupling Alignment Accessory

Avoids vehicle damage. Can be fitted in minutes. Saves time on every hookup. Self aligns directly over your towball. Hooks up trailer - single handedly. Avoids arguments with your 'Co-driver'.

Part No:	Description:
T570250	Couple-Mate



Bearing Protectors

Trojan Bearing Boss - Stainless Steel

Replaces grease cap and once full of grease keeps bearings lubricated. Eliminates premature bearing failure by keeping moisture out and bearings full of grease as grease is under slight pressure. Quick and easy to install! Stainless steel components. Sizes to suit most Trailers. Large grease capacity.

Part No:	Description:
T178100	Dia 45mm, suits Trojan 1500kg hubs - bra included.
T198000	Dia 50mm, suits Trojan 2000kg hubs. Late.
T204700	Dia 52mm, suits Trojan 2000kg hubs. Early.
T570028	Bearing boss bra - pair



RV / Caravan Levels

Trojan Bullseye Level

Mounts anywhere on or in your RV / Caravan. Round domed level reads 360° at once.

Part No:	Description:
T309415	Bullseye Level





RV/ Caravan Levels

Trojan Cross Check Level

Mounts anywhere on or in your RV / Caravan. Reads two directions at once - provides front to back and side to side leveling.

Part No:	Description:
T309615	Trojan Cross Check Level



Trojan Reflective Levels

Mounts anywhere on or in your RV / Caravan. Easily seen from a distance. Used for front to back or side to side leveling.

Part No:	Description:
T309915	2/pack



Leveling / Stabilising Accessories

Tri-Leveler

Raise your RV up to 2 - 7cm on any tyre for a more level position. Helps appliances and tanks operate more efficiently. Lightweight, durable resin has a non-slip surface. Each Tri-Leveler has a load capacity of 1500kgs

Part No:	Description:
T445730	Camco Tri-Leveler



Wheel Chock

Chocks keep your trailer in place so you can re-hitch with confidence. Solidly constructed of durable hard plastic with UV inhibitors.

Part No:	Description:
T444720	Camco Chock



Super Wheel Chock

Keep your vehicle and trailer from moving. Keep your trailer in place and re-hitch with confidence. Solidly constructed of durable polypropylene with UV inhibitors. Extra large size.

Part No:	Description:
T444920	Camco Super WheelChock



Trojan Coupling Locks

Trojan Coupling Locks

Trojan Coupling Locks have a hardened steel lock and pin. Keys are supplied with each lock. These locks allow the trailer coupling to be locked while either connected or disconnected from the tow vehicle. The lock for the Trojan TC30 coupling replaces the lock pin supplied with the coupling while for Duofit Couplings there is a provision to fit it into the coupling head where it prevents the handle from being lifted.

Part No:	Description:
T550304	Trojan TC30 - All models
T550303	Trojan Duofit 2500kg non-braked

T550304



Trojan Coupling Lock - Multi Fit

This Trojan Coupling Lock is a device which fits into the coupling ball socket preventing the trailer from being connected to the tow vehicle. It is expandable so will suit both 50mm & 1 7/8" couplings. Two keys are supplied with each lock.

Part No:	Description:
TR85120	Trojan Multi fit coupling lock

TR85120



Trojan Guardian Coupling Lock

This galvanized-coated security device allows the securing of both non-braked and braked couplings and is a visual deterrent to help avoid theft. It comes complete with a good quality lock and is easy to use.

Part No:	Description:
T550308	Trojan guardian coupling lock

T550308





Wheel Clamps

Trojan Defender Plus Wheel Clamp

Developed especially for use on all types of trailers, the Trojan Defender Plus Wheel Clamp offers maximum security against theft. Not only is the clamp a visible deterrent to would-be thieves, it will actually immobilize the trailer if any attempt to tow it is made.

This clamp offers the following features:

- Robust construction
- Wheel cover preventing removal of wheel nuts
- Clamps securely to wheel by way of winding adjustment
- Tamper proof lock
- Fits 13" to 16" wheels up to 235mm wide
- Immobilizing spikes fitted which puncture the tyre if attempted to be towed

T522000



Part No:	Description:
T522000	Trojan Defender Plus Wheel Clamp

Trojan Defender Wheel Clamps

The Trojan Defender Wheel Clamp is quick and simple to fit, has a zinc and powder-coated finish and is fitted with a high quality lock. It also includes a disc which helps to cover the wheel nuts adding a further deterrent from theft. It has been designed to fit most 13" to 15" wheels.

T522101



Part No:	Suits Tyre Width:
T522101	165 - 195mm
T522102	195 - 235mm



Clearance & Marker Lights

Trojan LED Marker Light - Multi Volt

Part No:	Description:
T249000	Amber, 70 x 37mm - 0.2mtr cable
T371023	Red / Amber, 55 x 35mm - pre wired 7mtr cable
T371025	Amber, 55 x 35mm - pre wired 7mtr cable



Trojan LED Marker Lights - Multi Volt

Part No:	Description:
T371011	Red, 65 x 27mm rectangular - 0.2mtr cable
T371013	Amber, 65 x 27mm rectangular. - 0.2mtr Cable



Trojan LED Marker Light - Multi Volt

With 7.5mtr wire

Part No:	Description:
T371055	Amber, 110 x 50mm rectangular
T371027	White, 110 x 50mm rectangular



Trojan Marker Light - 12V

Part No:	Description:
T860530	Amber, 80mm round



Trojan LED Marker Light - 12V

Part No:	Description:
T371021	Red / Amber, 69 x 75mm. Rubber body





Combination Tail Lights

Trojan offer a wide range of lights in both Trojan, Hella and Narva brands. If the light you require is not listed we can obtain against a firm order. All lights are complete with bulbs.

Trojan Combination Tail Light - 12V

Lights include Stop, Tail, Blinker, Number Plate & Reflector

Part No:	Description:
T860400	100mm square no reflector
T86030B	100mm square with reflector



Trojan Combination Tail Light Kit - 12V

Lights include Stop, Tail, Blinker, Number Plate & Reflector

Part No:	Description:
T371015	Trojan combination Tail lights



Trojan LED Combination Tail Light 12V

Lights include Stop, Tail, Blinker, Number Plate & Reflector

Part No:	Description:
T371033	102mm square, left hand side
T371035	102mm square, right hand side



Trojan LED Combination Tail Light - Multi Volt

Lights include Stop, Tail, Blinker, reverse & Reflector

Part No:	Description:
T371029	275 x 100mm Retangular



Submersible Lights

Trojan LED Submersible Combination Lights - Multi volt

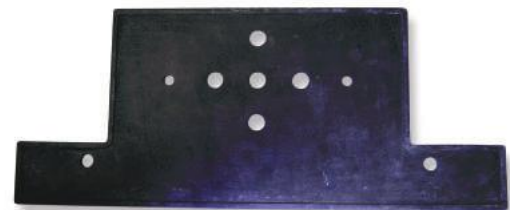
Lights include Tail, Stop, Blinker, Number Plate & Reflector. The number plate light is "Two Way" allowing the plate to be mounted either below or beside the light itself. These lights are prewired with 9 meters of wire. The base of these lights are "multi fit" allowing easy replacement of other common brands. Lenses are made from high impact Polycarbonate and are UV stabilised. These lights are ADR compliant and come with a full 3 year warranty.

Dimensions are: L: 182mm H: 85mm D: 36mm

Part No:	Description:
T371071	Display Pack including 1 x Left Hand Light, 1 x Right Hand Light & 1 x 7 Pin Flat Plug
T371072	Left Hand Light
T371074	Right Hand Light

ACCESSORIES

SPARE PARTS	DESCRIPTION
Part No: T535081	Licence plate mount - Allows flexible mounting of the licence plate below the tail light. It is ideal when used with the Trojan LED Light.



Number Plate Lights

Trojan LED Number Plate Light - Multi Volt

Part No:	Description:
T371031	120 x 40mm rectangular





Reflectors

Trojan Reflectors

Part No:	Description:
T370053	Red Bolt On, 96 x 38mm
T370057	White Bolt On, 96 x 38mm
T370059	Amber Bolt On, 96 x 38mm
WR101R	Red Stick On, 100 x 50 x 6.5mm
WR101C	White Stick On, 100 x 50 x 6.5mm
WR101A	Amber Stick On, 100 x 50 x 6.5mm



Light Boards

Trojan Combination Light Boards - 12V

Light boards include two Combination Tail Lights, two Reflectors, 6mtrs of Cable & one 7 Pin Flat Plug. Three sizes available.

Part No:	Description:
T822060	1.2mtr long board
T822062	1.5mtr long board
T822064	1.8mtr long board



Plugs, Cables & Accessories

Trojan 7 Pin Flat Trailer Connectors

For connecting the Trailer Lights to the Tow Vehicle.

Part No (Loose):	Part No (Pkgd):	Description:
T822000	T362060	7 Pin Flat Male Plug
362065	T362065	7 Pin Flat Female Socket
T409040	N/A	7 Pin Flat Male Plug - Screw end
T409050	N/A	7 Pin Flat Female Socket - Screw end
T82141SC	N/A	7 Pin flat Screw on



Plugs, Cables & Accessories

Trojan 7 Pin Round Trailer Connectors

For connecting the Trailer Lights to the Tow Vehicle

Part No (Loose):	Part No (Pkgd):	Description:
T821810	T362070	7 Pin Round Male Plug
T820520	T362075	7 Pin Round Female Socket



Trojan 7 Pin Jumper Cables

Allows 7 different pin plug combinations to be used

Part No (Loose):	Part No (Pkgd):	Description:
T822350	T362083	7 Pin Round on Tow Vehicle / 7 Pin Flat on Trailer
T822450	T362080	7 Pin Flat on Tow Vehicle / 7 Pin Round on Trailer



Plug Holders

For storing your 7 Pin Trailer Plug when not in use.

Part No (Loose):	Description:
T000B4PH	Plug Holder suits 7 Pin Flat Plug
T362085	Plug Holder suits 7 Pin Flat Plug (packaged)



Trojan Wiring Cable

For connecting the Trailer Lights to the Tow Vehicle.

Part No (Loose):	Description:
T832100	5 Core, 2.5mm, 5amp - 100mtr roll
T832010	5 Core, 3mm, 10amp - 10mtr roll
T5813100B	Single core, 3mm, 10amp - 100mtr roll - Black
T5823100T	Twin core, 3mm - 100mtr roll - Red & Black
T5872100T	Seven core, 2.5mm, 5amp - 100mtr roll





Plugs, Cables & Accessories

Cable Clamps & Connectors

For connecting the Trailer Lights to the Tow Vehicle.

Part No (Loose):	Description:
T873000	P Clips 8mm, suits 5 core cable, UV resistant black nylon - 100/pk
T873300	Chassis cable clamp, suits 5 core cable, stainless steel.
T361110	Chassis cable clamp, suits 5 core cable, stainless steel - 6/pk
T561600	Quick crimp cable connectors - 50/pk
T56160BK	Quick crimp cable connectors - 100/pk



RV, Caravan & Boat Lighting

Trojan LED Puck Lights

Highly polished 304 stainless steel with clear PC lens. Lens is specially designed to vastly distribute light illuminated from white LED's. Circuit board completely sealed in epoxy to resist water, corrosion and vibration. Super bright LED's of 0.5W or P4 types are used for designated brightness. Rated at 12V and operative at 13.8V. Ideal for RV, Boat and Cabin etc. Super long life span of LEDs up to 50,000hours.

Part No:	Description:	Amps Draw:
T372017	78mm Dia	160mA



Trojan Low Profile LED Down Light

Low Profile LED Down light is particularly suitable to more applications where the depth of cut-out hole is limited. Highly polished 304 stainless steel, down light with clear PC lens. Lens is specially designed to distribute light illuminated from white LED's. Circuit board completely sealed in epoxy to resist water, corrosion and vibration. 18 LED's is the approximately equivalent brightness of a 7 watt halogen bulb at a rated 12V. Rated at 12V and is operative at 13.8V. Super long lifespan up to 100,000 hours.

Part No:	Description:	Amps Draw:
T372005	65mm Dia	120mA



RV, Caravan & Boat Lighting

Trojan LED Cabin Light

White Plastic housing accommodated with switch is convenient and great for cockpit or interior use. Clear PC lens is specially designed to vastly distribute light vastly illuminated from white LED's. Circuit board completely sealed in epoxy to resist water, corrosion and vibration. Available in white and white/red Nav. combination. 18 LED's is approx. equivalent to the brightness of a 7 watt halogen bulb at 12V. Rated at 12V and operative at 13.8V. Super long life span up to 100,000 hours.

Part No:	Description:	Amps Draw:
T372015	White LED's, 103mm dia	120mA
T372013	White & Red LED's, 103mm dia	80/60mA



Trojan LED Interior or Cabin Lights

Highly polished 304 stainless steel, or white powder coated aluminum dome light, with clear PC lens. Lens is specially designed to vastly distribute light illuminated from white LED's. Circuit board completely sealed in epoxy to resist water, corrosion and vibration. 18 LEDs is approximately equivalent to brightness of a 7 watt halogen bulb at 12V. Rated at 12V and operative at 13.8V.

Part No:	Description:	Amps Draw:
T372009	White surround, 140mm dia	120mA
T372011	Stainless steel surround, 140mm dia	120mA



Trojan Compartment Light

Opal PC lens and PC housing, 21mm thru wall mounting. This submersible light is great for livewells, lockers or compartments. Circuit board completely sealed in epoxy to resist water, corrosion and vibration. Rated 12V designed at 13.8V. Super long life span up to 100,000hours.

Part No:	Description:	Amps Draw:
T372021	32mm dia	20mA



Trojan LED Rail Lights 12V

This series of lights feature rotating frame to adjust light direction to where needed. Superbright LEDs output sufficient illumination to a desired area, optional Red/White LED configurations. Frosted plastic lens and white painted alum extrusion frame. Three sizes available

Part No:	Description:	Amps Draw:
T372101	150mm long	80mA
T372103	300mm long	160mA
T372105	450mm long	240mA







Trojan Bearing Specs

TPT1082	EARLY	1000KG		SEAL KITS	Trojan Bearing #
CUP	L44610	50MM "OD"	INNER	NOTE: SEAL ATTACHED TO INNER BEARING	T502185
CONE & SEAL	L44600	25.4MM "ID"			TL44600
CUP	LM11910	45MM "OD"	OUTER		T502186
CONE	LM11940	19MM "ID"			T502188
TPT1009	CURRENT	1000KG			
CUP	L44610	50MM "OD"	INNER	TPT1012	T502185
CONE	L44642	25.4MM "ID"			T502187
CUP	LM11910	45MM "OD"	OUTER		T502186
CONE	LM11949	19MM "ID"			T502188
TPT1083	EARLY	1500KG			
CUP	L67010	59MM "OD"	INNER	NOTE: SEAL ATTACHED TO INNER BEARING	TL67000
CONE & SEAL	L67000	32MM "ID"			T502186
CUP	LM11910	45MM "OD"	OUTER		T502188
CONE	LM11949	19MM "ID"			
TPT1184	CURRENT	1500KG			
CUP	LM67010	59MM "OD"	INNER	TPT1013	T502189
CONE	LM67048	32MM "ID"			T502190
CUP	LM11910	45MM "OD"	OUTER		T502186
CONE	LM11949	19MM "ID"			T502188
TPT1186	CURRENT	1750KG			
CUP	L68110	59MM "OD"	INNER	TPT10135	TL68110
CONE	L68149	35MM "ID"			TL68149
CUP	LM12710	45MM "OD"	OUTER		TLM12710
CONE	LM12749	22MM "ID"			TLM12749
TPT1011	EARLY	2000KG			
CUP	LM48510	65MM "OD"	INNER	TPT1014	T502191
CONE	LM48548	35MM "ID"			T502192
CUP	LM11910	45MM "OD"	OUTER		T502186
CONE	LM11949	19MM "ID"			T502188
TPT1129	CURRENT	2000KG			
CUP	LM48510	65MM "OD"	INNER	TPT1014	T502191
CONE	LM48548	35MM "ID"			T502192
CUP	L44610	50MM "OD"	OUTER		T502185
CONE	L44649	26.98MM "ID"			T502184



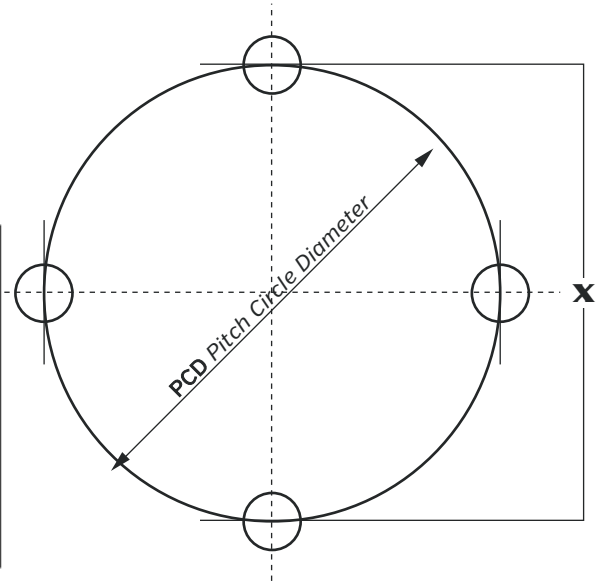
Methods of Calculating Wheel Pitch Circle Diameter

Method of Calculating: 4-stud PCD

To measure PCD on a 4-Stud Wheel: Measure from the center of one stud to the opposite stud.

NB: Correct drill size for TROJAN Studs [splines diameter] is 17/32" or 13.75mm

4-Stud PCD			
"X" in Inches:	"X" in MM	PCD:	Common Wheels:
3.930"	100.000mm	100mm	BMW / Honda / Holden / Gemini
4.000"	101.600mm	4"	Mini
4.250"	108.000mm	4 1/4"	Escort / Cortina
4.330"	110.000mm	110mm	Daihatsu Charade / RX Series Mazda
4.500"	114.300mm	4 1/2"	Most Japanese / Triumph 2000 / Morris 1100 - 1300

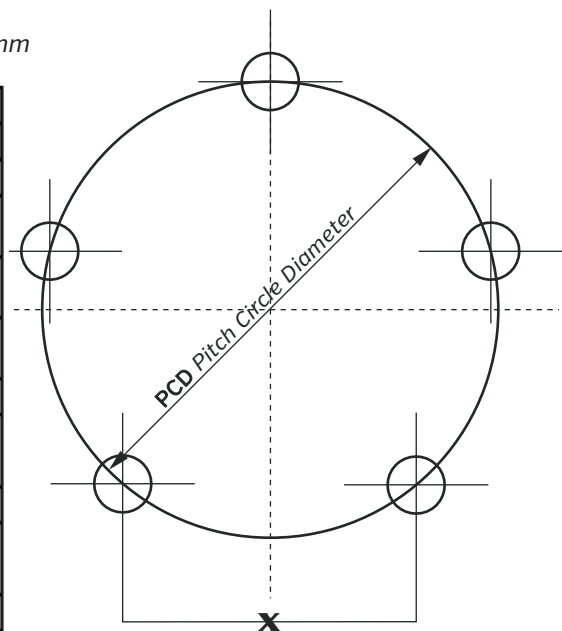


Method of Calculating: 5-stud PCD

To measure PCD on a 5-Stud Wheel: Measure from the centre of one stud to the centre of the next stud. Then calculate PCD using the chart below.

NB: Correct drill size for TROJAN Studs [splines dia] is 17/32" or 13.75mm

5-Stud PCD			
"X" in Inches:	"X" in MM	PCD:	Common Wheels:
2.351"	59.715mm	4"	AP5, AP6 Valliant
2.498"	63.449mm	4 1/4"	Pre-HQ Holden & Torana
2.645"	67.183mm	4 1/2"	Zephyr / VJ Valliant / Falcon
2.792"	70.916mm	4 3/4"	HQ Holden / XJ6 Jaguar
2.939"	74.650mm	5"	58PA Vauxhall/Delta
3.233"	82.118mm	5 1/2"	Bronco
3.527"	89.586mm	6"	
3.820"	94.028mm	6 1/2"	Landrover
2.314"	58.779mm	100mm	Camry
2.499"	63.481mm	108mm	
2.591"	65.832mm	112mm	Mercedes
2.777"	70.535mm	120mm	BMW / 6&8 Cyl Commodore
3.008"	76.413mm	130mm	
3.240"	82.290mm	140mm	
3.703"	94.046mm	160mm	Ford Transit





Hub & Stubs Kits & Spares

Non Braked

Type:	Kit:	H&S Kits:	Stud Pattern:	Flange:	Stub Axle:	Hub:
1500kg standard	T082005	T122005	Blank	155mm	T995020	T600009
1500kg standard	T082008	T122008	4x100x7/16"	155mm	T995020	T600011
1500kg standard	T082010	T122010	4x4x7/16"	140mm	T995020	T600001
1500kg standard	N/A	T122011	4x4x7/16"	140mm	T995022	T600001
1500kg standard	T082015	T122015	4x4 1/4x7/16"	155mm	T995020	T600002
1500kg standard	T082018	T122018	4x110x7/16"	155mm	T995020	T600012
1500kg standard	T082020	T122020	4x4 1/2x7/16"	155mm	T995020	T600003
1500kg standard	T082025	T122025	5x4 1/2x7/16"	155mm	T995020	T600004
1500kg standard	T082035	T122035	5x4 1/2x1/2"	155mm	T995020	T600006
1500kg standard	T082040	T122040	5x120x7/16"	155mm	T995020	T600008
1500kg standard	T082045	T122045	5x5x7/16"	155mm	T995020	T600005
1500kg standard	T084055	N/A	6x5 1/2x7/16"	190mm	T995020	T995055
1500kg bolt on rotor	T082105	T123105	Blank	155mm	T993484	T610105
1500kg bolt on rotor	T082125	T123125	5x4 1/4x7/16"	N/A	T993484	T610125
1500kg bolt on rotor	T082135	T123135	5x4 1/2x7/16"	N/A	T993484	T610135
1500kg bolt on rotor	T082140	T123140	5x120x7/16"	N/A	T993484	T610140
1750kg standard	T082036	T122036	5x41/2x1/2"	155mm	T995028	T660006
1750kg bolt on rotor	N/A	T143135	5x41/2x1/2"	155mm	T993488	T610136
2000kg bolt on rotor	T083135	T124135	5x4 1/2x1/2"	N/A	T994297	T630135
2000kg bolt on rotor	T083140	T124140	5x120x7/16"	N/A	T994297	T630140
2000kg bolt on rotor	T083155	T124155	6x5 1/2x1/2"	N/A	T994297	T630155
3000kg Bolt on rotor	T084555	N/A	6x5 1/2x1/2"	N/A	T699235	T699232

Braked

Type:	Kit:	H&S Kits:	Stud Pattern:	Flange:	Stub Axle:	Hub:
1500kg integral	T035105	T135105	Blank	155mm	T993484	T600105
1500kg integral	T035115	T135115	4x4 1/4x7/16"	155mm	T993484	T600115
1500kg integral	T035120	T135120	4x4 1/2x1/2"	155mm	T993484	T600120
1500kg integral	T035125	T135125	5x41/4x7/416	155mm	T993484	T600125
1500kg integral	T035135	T135135	5x41/2x1/2"	155mm	T993484	T600135
1500kg integral	T035140	T135140	5x120x7/16"	155mm	T993484	T600140
1500kg bolt on cast iron	T036125	T136125	5x41/4x7/416	155mm	T993484	T611025
1500kg bolt on cast iron	T036135	T136135	5x41/2x1/2"	155mm	T993484	T611035
1500kg bolt on cast iron	T036140	T136140	5x120x7/16"	155mm	T993484	T611040
1500kg bolt on stainless	T036335	T136335	5x41/2x1/2"	155mm	T993484	T612035
1500kg bolt on stainless	T036340	T136340	5x120x7/16"	155mm	T993484	T612040
1750kg one piece	T085135	T145135	5x41/2x1/2"	155mm	T993488	T600136
1750kg bolt on cast iron	T086135	T146135	5x41/2x1/2"	155mm	T993488	T611036
1750kg top hat style	T039140	T139140	5x120x7/16"	top hat	T993489	T660140
1750kg top hat style	T039135	T139140	5x41/2x1/2"	tophat	T993489	T660135
2000kg integral	T037105	T137105	Blank	220mm	T994297	T630009



Hub & Stubs Kits & Spares

Rotor Kit:	Wheelnut (5)	Bearing	Grease Cap:	Wheel studs and nuts:	Seal Kits:	Axle Nut Kit:
N/A		TPT1184	TPT1007	TPT10055	TPT10131	TPT1008
N/A	TPT1001	TPT1184	TPT1007	TPT10055	TPT10131	TPT1008
N/A	TPT1001	TPT1184	TPT1007	TPT10055	TPT10131	TPT1008
N/A	TPT1001	TPT1184	TPT1007	TPT10055	TPT10131	TPT1008
N/A	TPT1001	TPT1184	TPT1007	TPT10055	TPT10131	TPT1008
N/A	TPT1001	TPT1184	TPT1007	TPT10055	TPT10131	TPT1008
N/A	TPT1001	TPT1184	TPT1007	TPT10055	TPT10131	TPT1008
N/A	TPT1001	TPT1184	TPT1007	TPT10055	TPT10131	TPT1008
N/A	TPT1002	TPT1184	TPT1007	TPT10065	TPT10131	TPT1008
N/A	TPT1001	TPT1184	TPT1007	TPT10055	TPT10131	TPT1008
N/A	TPT1001	TPT1184	TPT1007	TPT10055	TPT10131	TPT1008
N/A	TPT1002	TPT1184	TPT1007	TPT10065	TPT10131	TPT1008
N/A	N/A	TPT1184	TPT1007	TPT10055	TPT10131	TPT1008
N/A	TPT1001	TPT1184	TPT1007	TPT10055	TPT10131	TPT1008
N/A	TPT1002	TPT1184	TPT1007	TPT10065	TPT10131	TPT1008
N/A	TPT1001	TPT1184	TPT1007	TPT10055	TPT10131	TPT1008
N/A	TPT1002	TPT1186	TPT1007	TPT10065	TPT10135	TPT1008
N/A	TPT1002	TPT1186	TPT1007	TPT10065	TPT10135	TPT1008
N/A	TPT1002	TPT1129	TPT1140	TPT10065	TPT10141	TPT10081
N/A	TPT1001	TPT1129	TPT1140	TPT10055	TPT10141	TPT10081
N/A	TPT1002	TPT1129	TPT1140	TPT10065	TPT10141	TPT10081
N/A	TPT1002	TPT10127	T699243	T699253 Studs, T994000 Nuts	T699241	T699247 Nut, T699249 Washer, T699251 Lock Washer

Rotor Kit:	Wheelnut (5)	Bearing	Grease Cap:	Wheel studs and nuts:	Seal Kits:	Axle Nut Kit:
N/A	N/A	TPT1184	TPT1007	TPT10055	TPT10131	TPT1008
N/A	TPT1001	TPT1184	TPT1007	TPT10055	TPT10131	TPT1008
N/A	TPT1001	TPT1184	TPT1007	TPT10055	TPT10131	TPT1008
N/A	TPT1001	TPT1184	TPT1007	TPT10055	TPT10131	TPT1008
N/A	TPT1002	TPT1184	TPT1007	TPT10065	TPT10131	TPT1008
N/A	TPT1001	TPT1184	TPT1007	TPT10055	TPT10131	TPT1008
TPT3110	TPT1001	TPT1184	TPT1007	TPT10055	TPT10131	TPT1008
TPT3110	TPT1002	TPT1184	TPT1007	TPT10065	TPT10131	TPT1008
TPT3110	TPT1001	TPT1184	TPT1007	TPT10055	TPT10131	TPT1008
TPT3111	TPT1001	TPT1184	TPT1007	TPT10055	TPT10131	TPT1008
TPT3111	TPT1002	TPT1184	TPT1007	TPT10065	TPT10131	TPT1008
N/A	TPT1002	TPT1186	TPT1007	TPT10065	TPT10135	TPT1008
TPT3110	TPT1002	TPT1186	TPT1007	TPT10065	TPT10135	TPT1008
N/A	TPT1001	TPT1186	TPT1007	TPT10055	TPT10135	TPT1008
N/A	TPT1002	TPT1186	TPT1007	TPT10065	TPT10135	TPT1008
N/A	N/A	TPT1129	TPT1140	TPT10055	TPT10141	TPT10081





Hub & Stubs Kits & Spares Continued

Braked Continued

STANDARD	Kit:	H&S Kits:	Stud Pattern:	Flange:	S/Axle:	Hub:
2000kg integral	T037135	T137135	5x41/2x1/2"	220mm	T994297	T630035
2000kg integral	T037155	T137155	6x51/2x1/2"	220mm	T994297	T630055
2000kg bolt on cast iron	T038135	T138135	5x41/2x1/2"	190mm	T994297	T631035
2000kg bolt on cast iron	T038140	T138140	5x120x7/16"	190mm	T994297	T631040
2000kg bolt on cast iron	N/A	T138136	5x41/2x1/2"	190mm	T994298	T631035
2000kg bolt on cast iron	T038155	T138155	6x51/2x1/2"	190mm	T994297	T631055
2000kg bolt on stainless	T038335	T138335	6x51/2x1/2"	190mm	T994297	T632035
2000kg bolt on stainless	T038355	T138355	6x51/2x1/2"	190mm	T994297	T632055
3000kg standard	T084555	N/A	6x51/2x1/2"	185mm	T699237	T699232

HYDRAULIC DRUM BRAKED	Kit	H&S Kits	Stud Pattern	Stub Axle	Hub/Drums	Wheelnut (5)	Bearing
1250kg	T096035	T132035	5x41/2x1/2"	T593664	T995435	TPT1002	TPT1184
1250kg	T096040	T132040	5x120x7/16"	T593664	T995440	TPT1001	TPT1184

ELECTRIC DRUM BRAKED	Kit	H&S Kits	Stud Pattern	Stub Axle	Hub/Drums	Wheelnut (5)	Bearing
1500kg	T095035	T134035	5x41/2x1/2"	T993465	T995535	TPT1002	TPT1184
1500kg	T095055	T134055	6x51/2x1/2"	T993465	T995555	TPT1002	TPT1184
1750kg	T095135	T134135	5x41/2x1/2"	T993485	T997435	TPT1002	TPT1186
1750kg	T095155	T134155	6x51/2x1/2"	T993485	T997455	TPT1002	TPT1186

ELECTRIC DRUM BRAKED	Kit	H&S Kits	Stud Pattern	Stub Axle	Hub/Drums	Wheelnut (5)	Bearing	Grease cap
2000kg	T096555RH	N/A	6x51/2x1/2"	T699237	T796555	TPT1002	T688248	T801755
2000kg	T096555LH	N/A	6x51/2x1/2"	T699237	T796555	TPT1002	T688248	T801755



Hub & Stubs Kits & Spares Continued

Braked Continued

Rotor Kit:	Wheelnut (5)	Bearing	Grease Cap:	Wheel studs & nuts:	Seal Kits:	Axle Nut Kit:	Rotor & Caliper kits 3000kg
N/A	TPT1002	TPT1129	TPT1140	TPT10065	TPT10141	TPT10081	
N/A	TPT1002	TPT1129	TPT1140	TPT10065	TPT10141	TPT10081	
TPT3112	TPT1002	TPT1129	TPT1140	TPT10065	TPT10141	TPT10081	
TPT3112	TPT1002	TPT1129	TPT1140	TPT10065	TPT10141	TPT10081	
TPT3112	TPT1002	TPT1129	TPT1140	TPT10065	TPT10141	TPT10081	
TPT3112	TPT1002	TPT1129	TPT1140	TPT10065	TPT10141	TPT10081	
TPT3112	TPT1002	TPT1129	TPT1140	TPT10065	TPT10141	TPT10081	
TPT3112	TPT1002	TPT1129	TPT1140	TPT10065	TPT10141	TPT10081	
	TPT1002	TPT10127	T699243	T699253 Studs T994000 Nuts	T699241	T699247 Nut T699249 Washer T699251 Lockwasher	TPT1361 TPT1363 TPT1365

Grease cap	Wheel studs and nuts	Seal kits	Axle nut kit	Drum	Drum back plates L/H	Drum back plates R/H	Brake shoes	Wheel cylinders
TPT1007	TPT10055	TPT10131	TPT1008	9"	T593662	T593663	TPT5008	TPT1045
TPT1007	TPT10065	TPT10131	TPT1008	9"	T593662	T593663	TPT5008	TPT1045

Grease cap	Wheel studs and nuts	Seal kits	Axle nut kit	Drum	Drum back plates L/H	Drum back plates R/H	Brake shoes	Drum Magnets
TPT1007	TPT10065	TPT10131	TPT1008	10"	T593801	T593802	TPT5010	TPT5002
TPT1007	TPT10065	TPT10131	TPT1008	10"	T593801	T593802	TPT5010	TPT5002
TPT1007	TPT10065	TPT10135	TPT1008	10"	T593801	T593802	TPT5010	TPT5002
TPT1007	TPT10065	TPT10135	TPT1008	10"	T593801	T593802	TPT5010	TPT5002

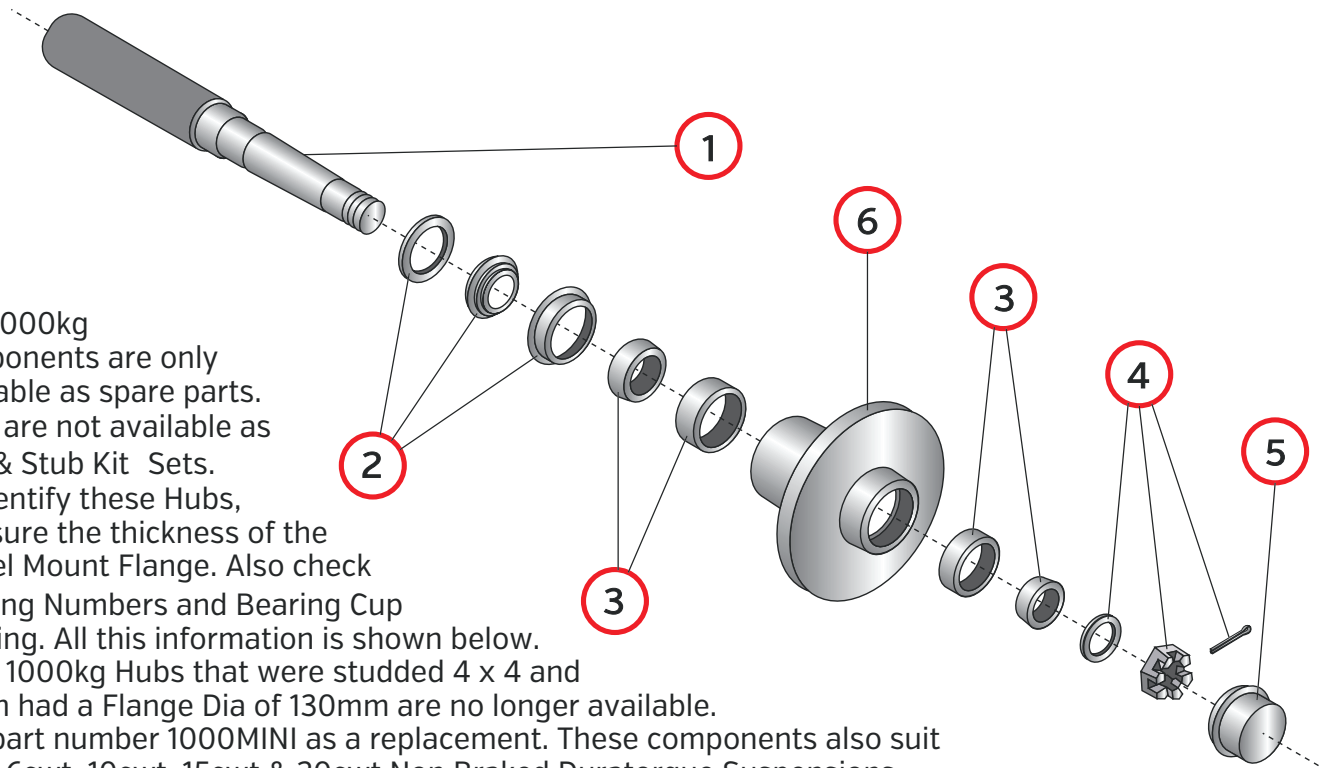
Wheel studs and nuts	Seal kits	Axle nut kit	Drum	Drum back plates L/H	Drum back plates R/H	Brake shoes	Drum Magnets
T699253 Studs T994000 Nuts	T699241	T699247 Nut T699249 Washer T699251 Lockwasher	12"	N/A	T593682	TPT5012	TPT5002
T699253 Studs T994000 Nuts	T699241	T699247 Nut T699249 Washer T699251 Lockwasher	12"	T593681	N/A	TPT5012	TPT5002





1000kg Non-Braked Hub Spares

[Obsolete Model]



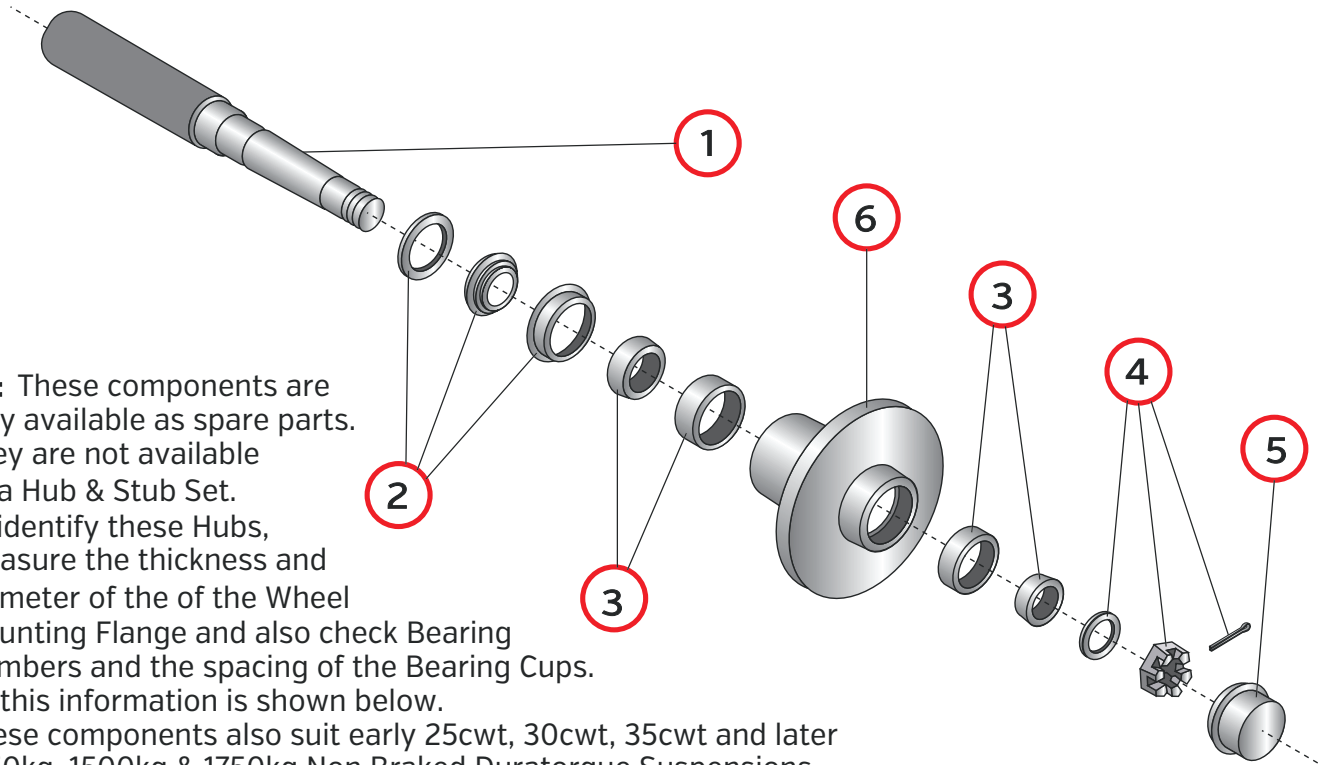
NB: 1000kg components are only available as spare parts. They are not available as Hub & Stub Kit Sets. To identify these Hubs, measure the thickness of the Wheel Mount Flange. Also check Bearing Numbers and Bearing Cup Spacing. All this information is shown below. Early 1000kg Hubs that were studded 4 x 4 and which had a Flange Dia of 130mm are no longer available. Use part number 1000MINI as a replacement. These components also suit early 6cwt, 10cwt, 15cwt & 20cwt Non Braked Duratorque Suspensions.

Stub Axle Profiles - Non Braked Type			
Item:	Part No:	Description:	Notes:
1	OBSOLETE	Stub Axle.	Refer Page 108 for specs
2	GREASE SEAL	Very early versions had the seal integral with the inner bearing. See TPT1082. Most can be converted to the separate seal. TPT1012	
	TPT1012	Seal Kit - Includes: 2 x Seals, Washers & Wear Rings. Refer PT1082 Bearing Kit if integral seal	Seal diameter 30mm ID use with TPT1009 Bearing Kit
	TPT10121	Seal Kit - Includes: 1 x Seal, Washer & Wear Ring.	As above
3	BEARINGS	Very early versions had the seal integral with the inner bearing. See TPT1082. Most can be converted to the separate seal. TPT1012	
	TPT1009	Bearing Kit - Includes: 1 x LM11910 & LM11949 Outer Cup & Cone. 1 x LM44610 & LM44642 Inner Cup & Cone.	Outer bearing 3/4" ID Inner Bearing 1" ID use with TPT1012 Seal Kit
	TPT10091	Bearing Cone Kit - Includes: 1 x LM11949 Outer Cone & 1 x LM44642 Inner Cone.	Use with New Hub which has Cups fitted
	TPT1082	Bearing Kit - Includes: 1 x LM11910 & LM11949 Outer Cup & Cone. 1 x LM44610 & LM44600L Inner Cup, Cone & Seal.	Integral Seal & Bearing
	TPT10821	Bearing Cone Kit - Includes: 1 x LM11949 Outer Cone & 1 x L46000L Inner Cone & Seal.	Integral Seal. Use with new Hub which has Cups fitted
4	TPT1008	Nut Kit - Includes: 1 x 3/4" UNF Nut, Washer & Split Pin.	Suits all models
5	TPT1007	Grease Cap Kit - Includes: 2 x 45mm dia Caps.	Suits all models
6	HUBS - OBSOLETE	These Hubs have a Flange thickness of approx 14mm and Flange dia of approx 180mm. Fitted with LM11910 & LM44610 Bearing Cups.	Measurement - outside to outside of fitted Cups is 65mm. Refer Page 110 for specs



1500kg Non-Braked Hub Spares

[Obsolete Model]



NB: These components are only available as spare parts. They are not available as a Hub & Stub Set.

To identify these Hubs, measure the thickness and diameter of the of the Wheel Mounting Flange and also check Bearing Numbers and the spacing of the Bearing Cups. All this information is shown below.

These components also suit early 25cwt, 30cwt, 35cwt and later 1250kg, 1500kg & 1750kg Non Braked Duratorque Suspensions

Stub Axle Profiles - Non Braked Type			
Item:	Part No:	Description:	Notes:
1	OBSOLETE	Stub Axle.	Refer Page 108 for specs
2	GREASE SEALS	<i>Very early versions had the seal integral with the inner bearing. Refer TPT1083. These can be converted to the separate seal. Refer TPT1013</i>	
	TPT1013	Seal Kit - Includes: 2 x Seals, Washers & Wear Rings. <i>Refer TPT1083 Bearing Kit if integral seal</i>	Seal diameter 37mm ID Use with TPT1184 Bearing Kit
	TPT10131	Seal Kit - Includes: 1 x Seal, Washer & Wear Ring.	As above
3	BEARINGS	<i>Very early versions had the seal integral with the inner bearing. See TPT1083. These can be converted to the separate seal. TPT1013</i>	
	TPT1184	Bearing Kit - Includes: 1 x LM11910 & LM11949 Outer Cup & Cone. 1 x LM67010 & LM67000L Inner Cup & Cone.	Outer bearing 3/4" ID Inner Bearing 1 1/4" ID Use with TPT1013 Seal Kit
	TPT11841	Bearing Cone Kit - Includes: 1 x LM11949 Outer Cone & 1 x LM44642 Inner Cone.	Use with New Hubs which are fitted with Cups
	TPT1083	Bearing Kit - Includes: 1 x LM11910 & LM11949 Outer Cup & Cone. 1 x LM67010 & LM67000L Inner Cup, Cone & Seal.	Integral Seal & Bearing Very early models
	TPT10831	Bearing Cone Kit - Includes: 1 x LM11949 Outer Cone & 1 x L67000L Inner seal & Cone.	Use with New Hubs which are fitted with Cups. Integral Seal.
4	TPT1008	Nut Kit - Includes: 1 x 3/4" Nut, Washer & Split Pin.	Suits all models
5	TPT1007	Grease Cap Kit - Includes: 2 x 45mm dia Caps.	Suits all models
6	HUBS	<i>These Hubs have a Flange thickness of approx 16mm and Flange dia of approx 180mm. Fitted with LM11910 & LM67010 Bearing Cups.</i>	Measurement - outside to outside of fitted Cups is 67mm. Refer Page 110 for specs
	T994021	Hub - Blank	
	T1500FORD	Hub - 4 x 4 1/4 x 7/16	
	T1500JAP1	Hub - 4 x 4 1/2 x 7/16	



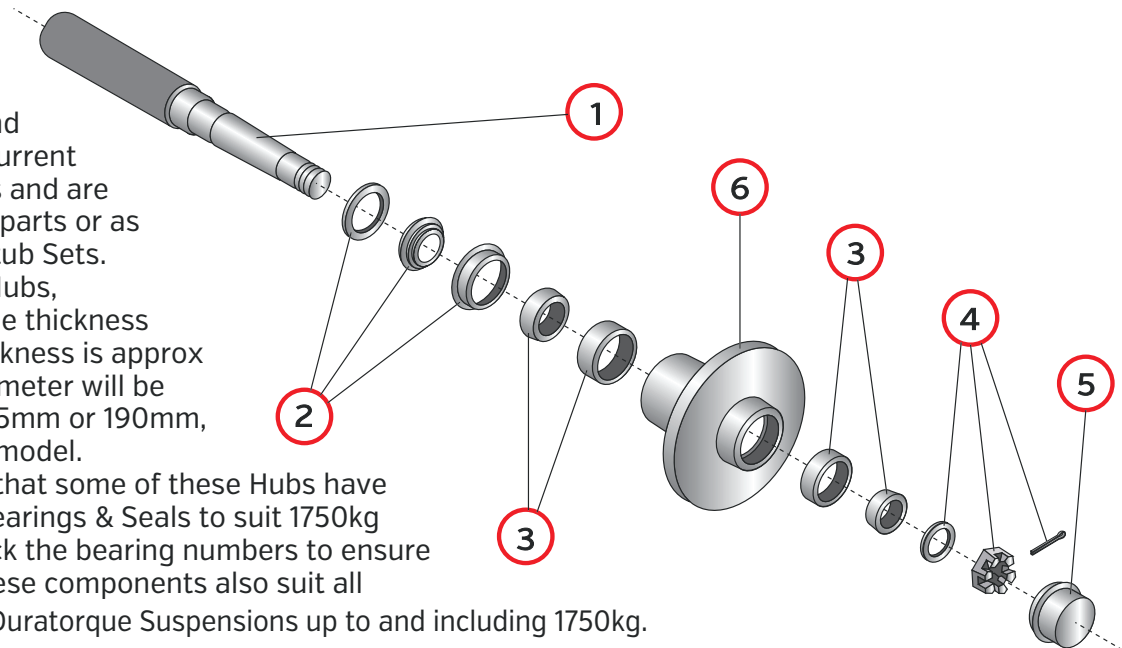


1500/1750kg Non-Braked Hub Spares

[Current Model]

NB: These Hubs and Components are current production models and are available as spare parts or as complete Hub & Stub Sets. To identify these Hubs, measure the Flange thickness and diameter. Thickness is approx 12mm, and the diameter will be approx 140mm, 155mm or 190mm, depending on the model.

It has been found that some of these Hubs have been fitted with Bearings & Seals to suit 1750kg axles. Always check the bearing numbers to ensure correct supply. These components also suit all current models of Duratorque Suspensions up to and including 1750kg.

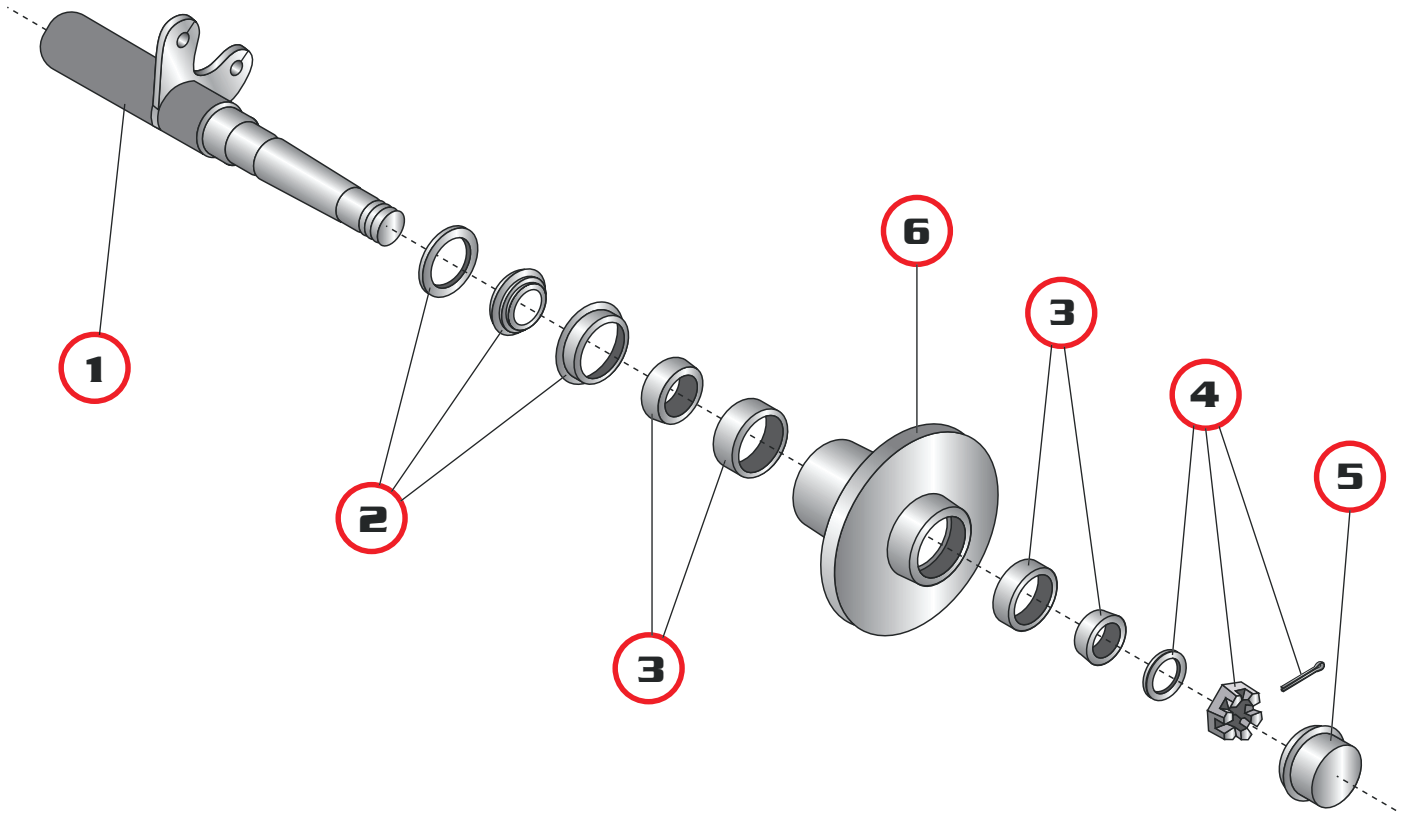


Stub Axle Profiles - Non Braked Type			
Item:	Part No:	Description:	Notes:
1	T995020	Stub Axle - 38mm Dia	Refer Page 108 for specs
	T995022	Stub Axle - 34mm Dia	Same as above
2	TPT1013	Seal Kit 1500kg -Includes: 2 x Seals, Washers & Wear Rings.	Seal 37mm ID
	TPT10131	Seal Kit 1500kg -Includes: 1 x Seals, Washers & Wear Rings.	Seal 37mm ID
	TPT10135	Seal Kit 1750kg -Includes: 1 x Seal & Wear Ring	Seal 43mm ID
3	TPT1184	Bearing Kit 1500kg - Includes: 1 x LM11910 & LM11949 Outer Cup & Cone. 1 x LM67010 & LM67048 Inner Cup & Cone.	Outer Bearing 3/4" ID Inner Bearing 1 1/4" ID
	TPT11841	Bearing Cone Kit 1500kg - Includes: 1 x LM11949 Outer Cone & LM67048 Inner Cone	Use with New Hub which has fitted cups
	TPT1186	Bearing Kit 1750kg -Includes: 1 x LM12710 & LM12749 Outer Cup & Cone. 1 x LM68110 & LM68149 Inner Cup & Cone.	Outer Bearing 22mm ID Inner Bearing 35mm ID
4	TPT1008	Nut Kit - Includes: 1 x 3/4" Nut, Washer & Split Pin.	Suits all models
5	TPT1007	Grease Cap Kit - Includes: 2 x 45mm dia Caps.	Suits all models
6	HUBS	These Hubs have a Flange thickness of approx 12mm and have Flange Diameters of 140mm, 160mm & 190mm. Fitted with LM11910 & LM67048 Bearing Cups.	Measurement outside to outside of fitted cups is 76mm Refer Page 110 for specs
	OBSOLETE	Hub 1500kg - Blank	140mm Flange Dia
	T600001	Hub 1500kg - 4 x 4 x 7/16	140mm Flange Dia
	OBSOLETE	Hub 1500kg - 4 x 100 x 7/16	140mm Flange Dia
	T600009	Hub 1500kg - Blank	155mm Flange Dia
	T600014	Hub 1500kg - 4 x 4 x 7/16	155mm Flange Dia
	T600011	Hub 1500kg - 4 x 100 x 7/16	155mm Flange Dia
	T600012	Hub 1500kg - 4 x 110 x 7/16	155mm Flange Dia
	T600002	Hub 1500kg - 4 x 4 1/4 x 7/16	155mm Flange Dia
	T600003	Hub 1500kg - 4 x 4 1/2 x 7/16	155mm Flange Dia
	OBSOLETE	Hub 1500kg - 4 x 120 x 7/16	155mm Flange Dia
	T600015	Hub 1500kg - 5 x 100 x 7/16	155mm Flange Dia
	T600004	Hub 1500kg - 5 x 4 1/4 x 7/16	155mm Flange Dia
	OBSOLETE	Hub 1500kg - 5 x 4 1/2 x 7/16	155mm Flange Dia
	T600006	Hub 1500kg - 5 x 4 1/2 x 1/2	155mm Flange Dia
	T600008	Hub 1500kg - 5 x 120 x 7/16	155mm Flange Dia
	T600005	Hub 1500kg - 5 x 5 x 7/16	155mm Flange Dia
	OBSOLETE	Hub 1500kg - Blank	190mm Flange Dia
	T995055	Hub 1500kg - 6 x 5 1/2 x 1/2	190mm Flange Dia
	OBSOLETE	Hub 1500kg - 6 x 6 x 1/2	190mm Flange Dia



1500/1750kg Non-Braked Hub Spares

Bolt-On Rotor Type [Current Model]



NB: These Hubs can be identified by the '5 spigots' cast integral with the rear face of the Hub. These Spigots are for the fitment of Disc Brake Rotors allowing the conversion to brakes. When sold as Hub & Stub Sets, a Stub Axle fitted with a 'Yoke' for mounting Brake Calipers is supplied as standard. These Hubs will interchange with current 1500/1750kg Non Braked Hubs. These components will also fit all current Duratorque Suspensions up to and including 1500/1750kg.

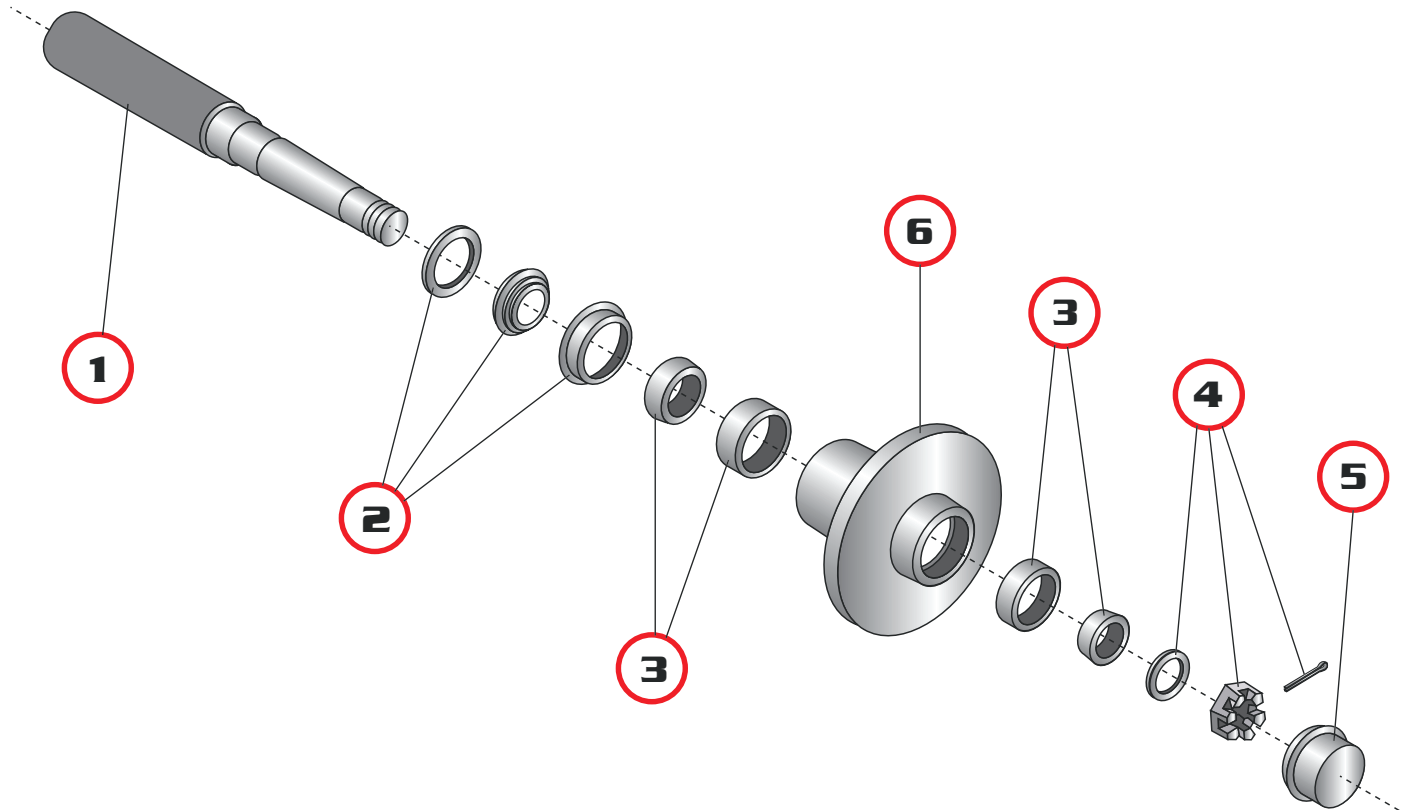
Stub Axle Profiles - Non Braked Type			
Item:	Part No:	Description:	Notes:
1	T993484	Stub Axle - Braked Type	Refer Page 109 for specs
2	TPT1013	Seal Kit - Includes: 2 x Seals, Washers & Wear Rings.	Seal - 37mm ID
	TPT10131	Seal Kit - Includes: 1 x Seals, Washers & Wear Rings.	Seal - 37mm ID
3	TPT1184	Bearing Kit - Includes: 1 x LM11910 & LM11949 Outer Cup & Cone. 1 x LM67010 & LM67048 Inner Cup & Cone.	Outer bearing 3/4" ID Inner Bearing 1 1/4" ID
	TPT11841	Bearing Cone Kit - Includes: 1 x LM11949 Outer Cone & LM67048 Inner Cone.	Use with New Hub which has fitted Cups
4	TPT1008	Nut Kit - Includes: 1 x 3/4" Nut, Washer & Split Pin.	
5	TPT1007	Grease Cap Kit - Includes: 2 x 45mm Caps.	
6	HUBS	These Hubs have a Flange Dia of 160mm and have 5 Spigots cast into back of Hub Flange. Fitted with LM11910 & LM67010 Bearing Cups.	Measurement - Outside to outside of fitted cups is 76mm. Refer Page 110 for specs
	OBSOLETE	Hub - Blank	
	T610125	Hub 1500kg - 5 x 4 1/4 x 7/16	
	T610135	Hub 1500kg - 5 x 4 1/2 x 1/2	
	T610140	Hub 1500kg - 5 x 120 x 7/16	
	T610136	Hub 1750kg - 5 x 4 1/2 x 1/2	





2000kg Non Braked Hub Spares

[Obsolete Model]



NB: These Hubs & Stubs are now obsolete, components are available as spares only. To Identify these from the later version, measure the Grease Cap Diameter or identify the Outer Bearing Part Number. The Cap will be 45mm and the Bearing LM11949 & LM11910 Cup & Cone. These Components will also fit early model 40cwt & 2000kg Non Braked Duratorque Suspensions.

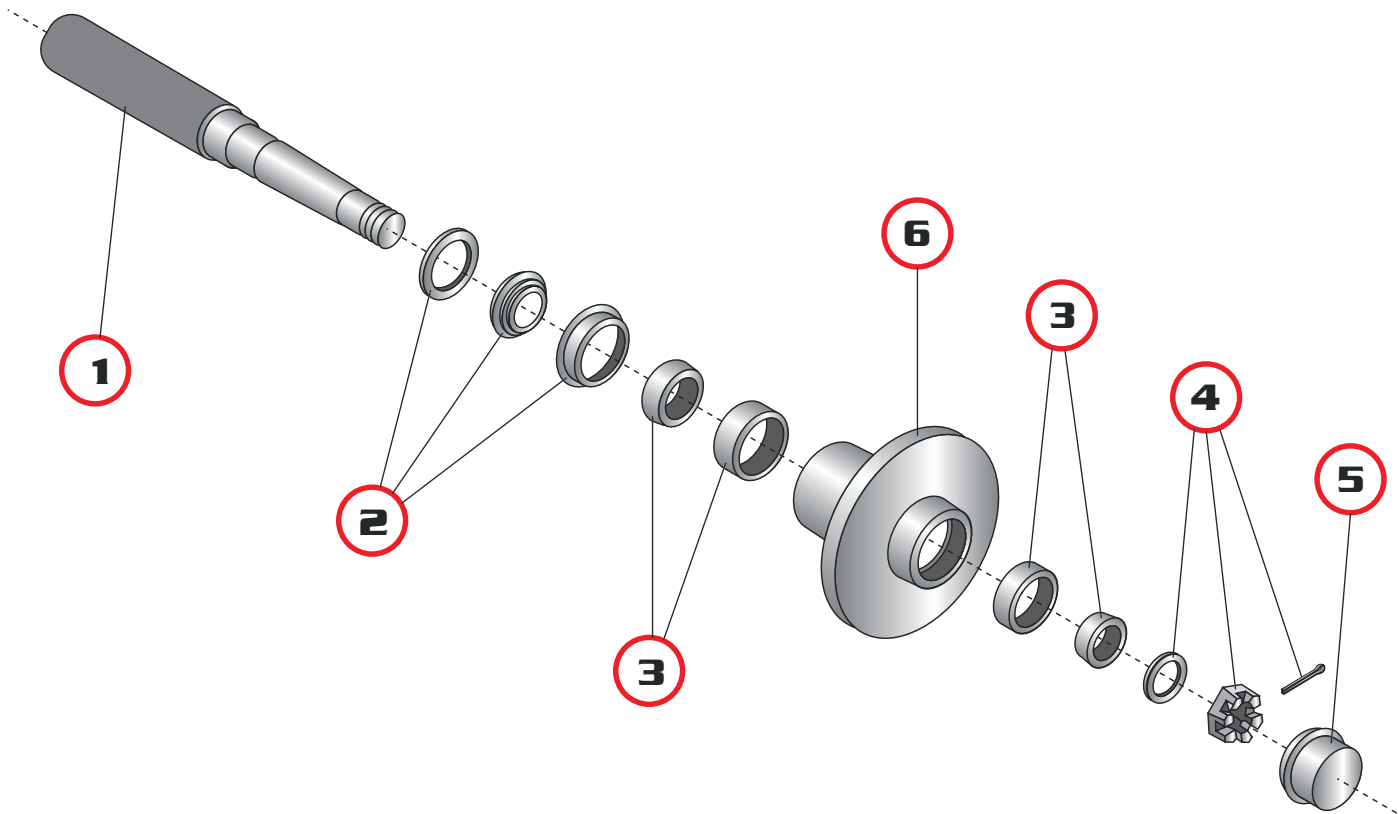
Stub Axle Profiles - Non Braked Type

Item:	Part No:	Description:	Notes:
1	OBSOLETE	Stub Axle.	Refer Page 108 for specs
2	TPT1014 TPT10141	Seal Kit - Includes: 2 x Seals, Washers & Wear Rings. Seal Kit - Includes: 1 x Seal, Washer & Wear Ring.	Seal diameter 46mm ID As above
3	TPT1011	Bearing Kit - Includes: 1 x LM11910 & LM11949 Outer Cup & Cone. 1 x LM48510 & LM48548 Inner Cup & Cone.	Outer bearing 3/4" ID Inner Bearing 1.375" ID
3	TPT10111	Bearing Cone Kit - Includes: 1 x LM11949 Outer Cone & 1 x LM48548 Inner Cone.	
4	TPT1008	Nut Kit - Includes: 1 x 3/4" Nut, Washer & Split Pin.	
5	TPT1007	Grease Cap Kit - Includes: 2 x 45mm dia Caps.	
6	HUBS	These Hubs have a Flange thickness of approx 18mm and Flange dia of 220mm. Fitted with LM11910 & LM48510 Bearing Cups.	Measurement - Outside to outside of fitted cups is 71mm. See page 109
	OBSOLETE	Hub - Blank	



2000kg Non Braked Hub Spares

[Obsolete Model]



NB: These Hubs are now obsolete and will be replaced by the new version that has facility for bolting on Disc Brake Rotors [Not interchangeable]. To identify from the earlier version, measure the Grease Cap diameter and identify the 'Outer Bearing' part number. The Cap will be 52mm and the Bearing LM44610 & LM44649 Cup & Cone.

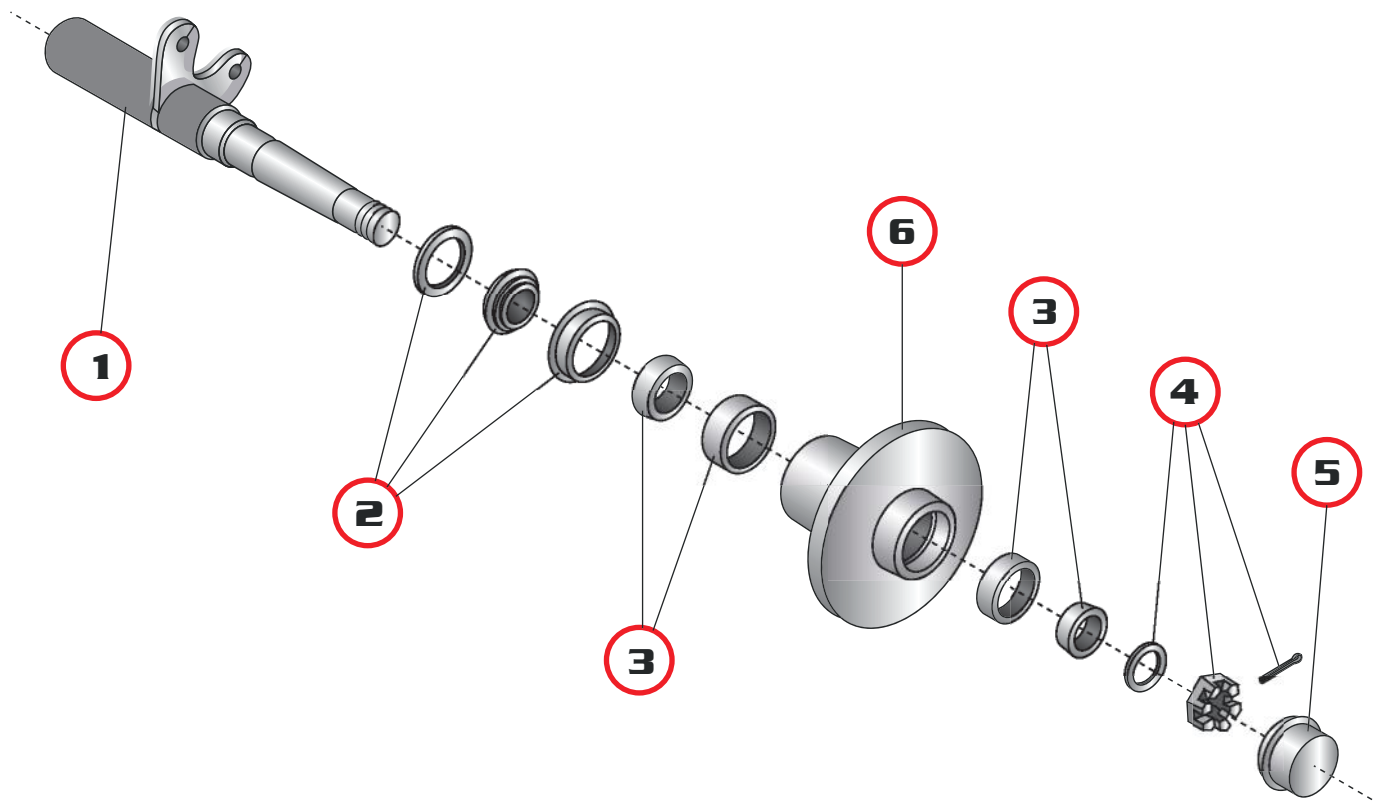
Stub Axle Profiles - Non Braked Type			
Item:	Part No:	Description:	Notes:
1	OBSOLETE	Stub Axle.	Refer Page 108 for specs
2	TPT1014 TPT10141	Seal Kit - Includes: 2 x Seals, Washers & Wear Rings. Seal Kit - Includes: 1 x Seal, Washer & Wear Ring.	Seal diameter 46mm ID As above
3	TPT1129 TPT11291	Bearing Kit - Includes: 1 x LM44610 & LM44649 Outer Cup & Cone. 1 x LM48510 & LM48548 Inner Cup & Cone. Bearing Cone Kit - Includes: 1 x LM44649 Outer Cone & 1 x LM48548 Inner Cone.	Outer bearing 1.06" ID Inner Bearing 1.375" ID
4	TPT10081	Nut Kit - Includes: 1 x 3/4" Nut, Washer & Split Pin.	Special Large Hex Nut
5	TPT1132	Grease Cap Kit - Includes: 2 x 52mm dia Caps.	
6	HUBS	These Hubs have a Flange thickness of approx 18mm and Flange dia of 220mm. Fitted with LM44610 & LM48510 Bearing Cups.	Measurement - Outside to outside of fitted cups is 71mm. Refer to Page 110 for specs
	OBSOLETE	Hub - Blank	
	OBSOLETE	Hub - 5 x 4 1/2 x 7/16	
	OBSOLETE	Hub - 5 x 4 1/2 x 1/2	
	OBSOLETE	Hub - 5 x 4 3/4 x 7/16	
	OBSOLETE	Hub - 5 x 6 1/2 x 1/2	
	OBSOLETE	Hub - 6 x 5 1/2 x 1/2	





2000kg Non Braked Hub Spares

Bolt-On Rotor Type [Current Model]



NB: These Hubs replaced the current version shown on Page 97. They can be identified by the '5 Spigots' located on the rear of the Flange. These Spigots allow the mounting of Disc Brake Rotors, converting the Hubs from Non Braked to Braked. When sold as a Non Braked Hub & Stub Set, the Stub Axles supplied are fitted with a 'Yoke' for the mounting of Brake Calipers. Standard Stubs are also available. These Hubs are not interchangeable with earlier 2000kg versions. These components will also fit current 2200kg Duratorque Suspensions.

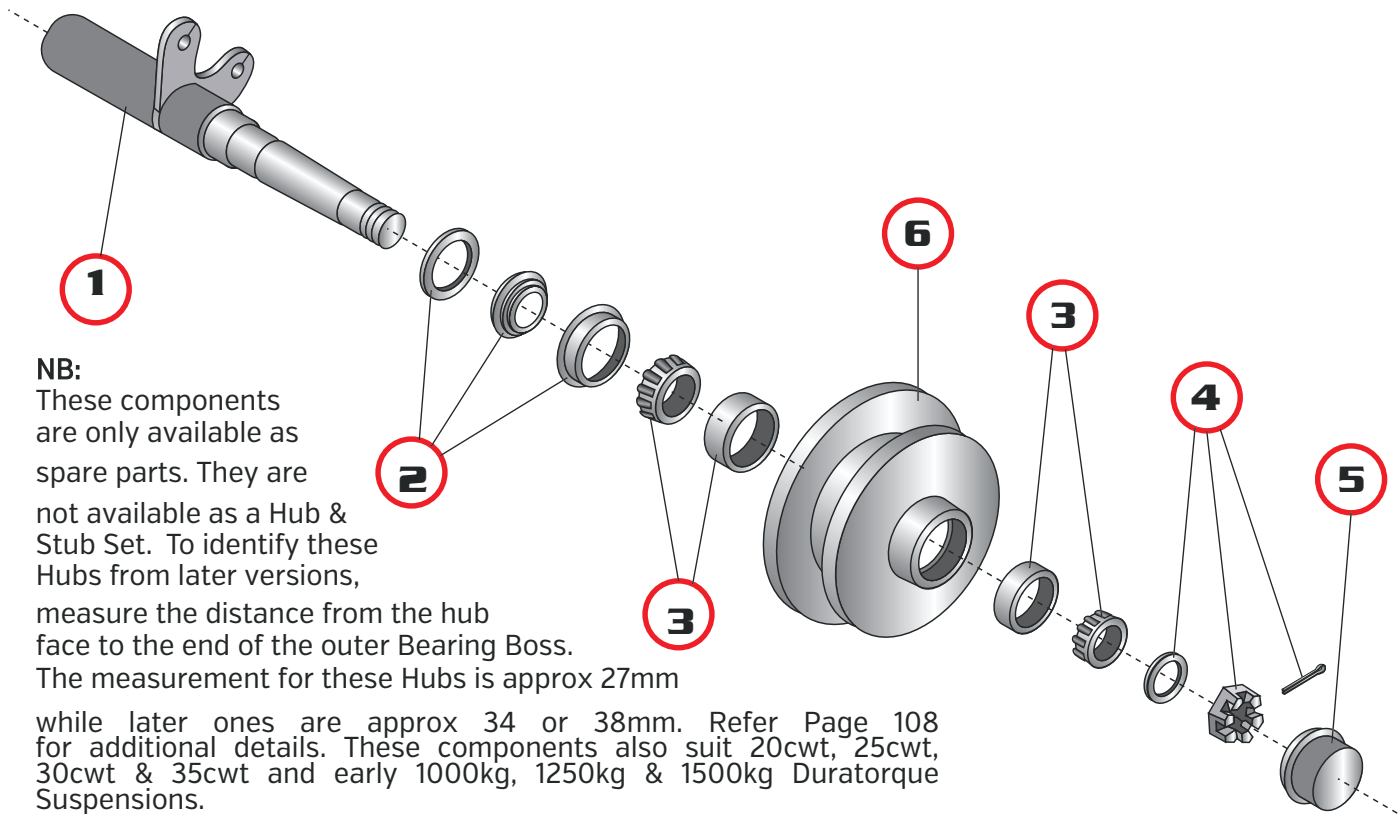
Stub Axle Profiles - Non Braked Type

Item:	Part No:	Description:	Notes:
1	T994297	Stub Axle & Yoke.	Refer Page 109 for specs
	T994097	Stub Axle - No Yoke.	Refer Page 108 for specs
2	TPT1014	Seal Kit - Includes: 2 x Seals, Washers & Wear Rings.	Seal diameter 46mm ID
	TPT10141	Seal Kit - Includes: 1 x Seal, Washer & Wear Ring.	As above
3	TPT1129	Bearing Kit - Includes: 1 x LM44610 & LM44649 Outer Cup & Cone. 1 x LM48510 & LM48548 Inner Cup & Cone.	Outer bearing 1.06" ID Inner Bearing 1.375" ID
	TPT11291	Bearing Cone Kit - Includes: 1 x LM44649 Outer Cone & 1 x LM48548 Inner Cone.	Use with New Hub which has fitted cups
4	TPT10081	Nut Kit - Includes: 1 x 3/4" Nut, Washer & Split Pin.	Special Large Hex Nut
5	TPT1140	Grease Cap Kit - Includes: 2 x 50.2mm dia Caps.	
6	HUBS	These Hubs have a Flange dia of 190mm and have 5 Spigots cast into the rear of the Flange. Fitted with LM44610 Outer & LM48510 Inner Bearing Cups.	Measurement - Outside to outside of fitted cups is 89mm. Refer Page 110 for specs
	T630105	Hub - Blank	
	T630135	Hub - 5 x 4 1/2 x 1/2	
	T630140	Hub - 5 x 120 x 7/16	
	T630155	Hub - 6 x 5 1/2 x 1/2	



1500kg Disc Braked Hub Spares

225mm Dia Rotor Integral With Hub [Obsolete Model]



NB:

These components are only available as spare parts. They are not available as a Hub & Stub Set. To identify these Hubs from later versions, measure the distance from the hub face to the end of the outer Bearing Boss. The measurement for these Hubs is approx 27mm

while later ones are approx 34 or 38mm. Refer Page 108 for additional details. These components also suit 20cwt, 25cwt, 30cwt & 35cwt and early 1000kg, 1250kg & 1500kg Duratorque Suspensions.

Stub Axle Profiles - Non Braked Type

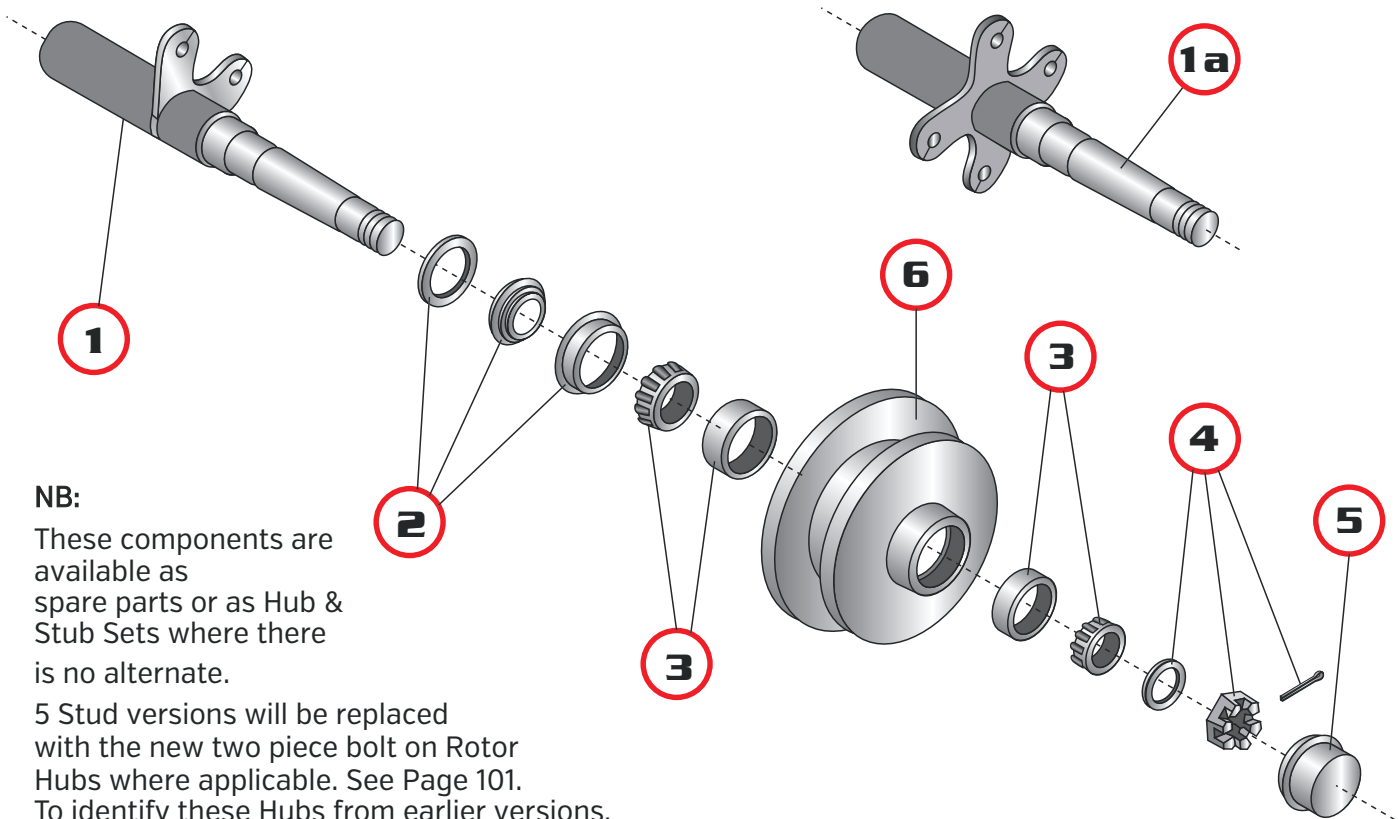
Item:	Part No:	Description:	Notes:
1	OBSOLETE	Stub Axle & Yoke	Refer Page 109 for specs
2	GREASE SEALS	Very early versions had the seal integral with the inner bearing. See PT1083. These can be converted to separate seals but the retaining washer cannot be used.	
	TPT1013	Seal Kit - Includes: 2 x Seals, Washers & Wear Rings. Refer: PT1083 bearing kit for integral seal.	Seal - 37mm ID Use with PT1010 Bearing Kit
	TPT10131	Seal Kit - Includes: 1 x Seal, Washer & Wear Ring	As above
3	BEARINGS	Very early versions had the seal integral with the inner bearing. See PT1083. These can be converted to separate seals but the retaining ring cannot be used.	
	TPT1184	Bearing Kit - Includes: 1 x LM11910 & LM11949 Outer Cup & Cone. 1 x LM67010 & LM67048 Inner Cup & Cone.	Outer bearing 3/4" ID Inner Bearing 1 1/4" ID Use with PT1013 Seal Kit
	TPT11841	Bearing Cone Kit - Includes: 1 x LM11949 Outer Cone & 1 x LM67048 Inner Cone.	Use with new Hub which has fitted Cups
	TPT1083	Bearing Kit - Includes: 1 x LM11910 & LM11949 Outer Cup & Cone. 1 x LM67010 & LM67000L Inner Cup & Cone.	Integral Seal & Bearing. Very Early Models.
	TPT10831	Bearing Cone Kit - Includes: 1 x LM11949 Outer Cone & 1 x LM67000 Integral Inner Cone & Seal.	Use with new Hub which has fitted Cups
4	TPT1008	Nut Kit - Includes: 1 x 3/4" Nut, Washer & Split Pin.	
5	TPT1007	Grease Cap Kit - Includes: 2 x 45mm Grease Caps.	
6	HUB & ROTOR	These Hubs measure 27mm from the wheel flange to the end of the outer Bearing Boss. Fitted with LM11910 & LM67010 Bearing Cups.	Refer Page 111 for specs
	T994011	Hub - Blank	
	T225DELTA	Hub - 5 x 5 x 7/16	
	T225FORD2	Hub - 4 x 4 1/4 x 7/16	
	T225JAP	Hub - 4 x 4 1/2 x 7/16	
	T225HT001	Hub - 5 x 4 1/4 x 7/16	
	T225VJ 1	Hub - 5 x 4 1/2 x 7/16	
	T225FORD1	Hub - 5 x 4 1/2 x 1/2	
	T225HQ0	Hub - 5 x 4 3/4 x 7/16	





1500kg Disc Braked Hub Spares

225mm Dia Rotor Integral with Hub [Current Model]



NB:

These components are available as spare parts or as Hub & Stub Sets where there is no alternate.

5 Stud versions will be replaced with the new two piece bolt on Rotor Hubs where applicable. See Page 101.

To identify these Hubs from earlier versions, measure the distance from the Hub face to the end of the outer Bearing Boss. This measurement will be approx 34 or 38mm, while early ones are approx 27mm.

Refer Page 111 for additional details.

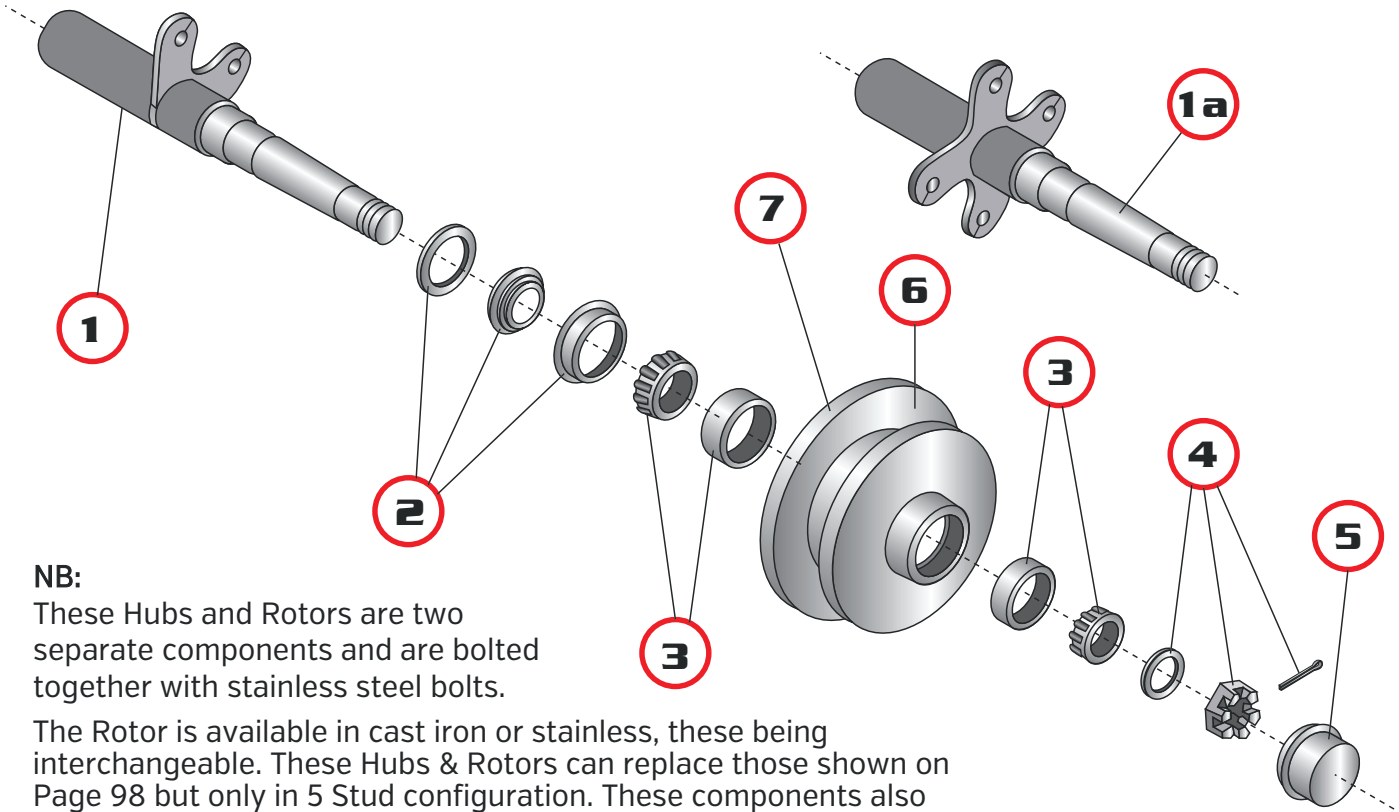
These components also suit 1000kg & 1500kg late model Duratorque Suspensions.

Stub Axle Profiles - Non Braked Type			
Item:	Part No:	Description:	Notes:
1	T993484	Stub Axle & Yoke	Refer Page 109 for specs
1a	OBSOLETE	Stub Axle & Double Yoke	As above
2	TPT1013	Seal Kit - Includes: 2 x Seals, Washers & Wear Rings.	Seal - 37mm ID
	TPT10131	Seal Kit - Includes: 1 x Seals, Washers & Wear Rings.	Seal - 37mm ID
3	TPT1184	Bearing Kit - Includes: 1 x LM11910 & LM11949 Outer Cup & Cone. 1 x LM67010 & LM67048 Inner Cup & Cone.	Outer bearing 3/4" ID Inner Bearing 1 1/4" ID
	TPT11841	Bearing Cone Kit - Includes: 1 x LM11949 Outer Cone & 1 x LM67048 Inner Cone.	Use with new Hub which has fitted Cups.
4	TPT1008	Nut Kit - Includes: 1 x 3/4" Nut, Washer & Split Pin.	
5	TPT1007	Grease Cap Kit - Includes: 2 x 45mm Grease Caps.	
6	HUB & ROTOR	These Hubs measure 8mm from the wheel flange to the end of the outer Bearing Boss. Fitted with LM11910 & LM67010 Bearing Cups.	Refer Page 111 for specs
	T600105	Hub - Blank	No Alternate
	T600115	Hub - 4 x 4 1/4 x 7/16	No Alternate
	T600120	Hub - 4 x 4 1/2 x 7/16	No Alternate
	T600125	Hub - 5 x 4 1/4 x 7/16	Use T611025 or T612025
	OBSOLETE	Hub - 5 x 4 1/2 x 7/16	No Alternate
	T600135	Hub - 5 x 4 1/2 x 1/2	Use T611035 or T612035
	T600140	Hub - 5 x 120 x 7/16	Use T611040 or T612040
	OBSOLETE	Hub - 6 x 5 1/2 x 1/2	



1500kg Disc Braked Hub Spares

With 225mm Dia Bolt On Rotor
[Current Model]



NB:

These Hubs and Rotors are two separate components and are bolted together with stainless steel bolts.

The Rotor is available in cast iron or stainless, these being interchangeable. These Hubs & Rotors can replace those shown on Page 98 but only in 5 Stud configuration. These components also suit 1000kg & 1500kg late model Duratorque Suspensions.

Stub Axle Profiles - Non Braked Type

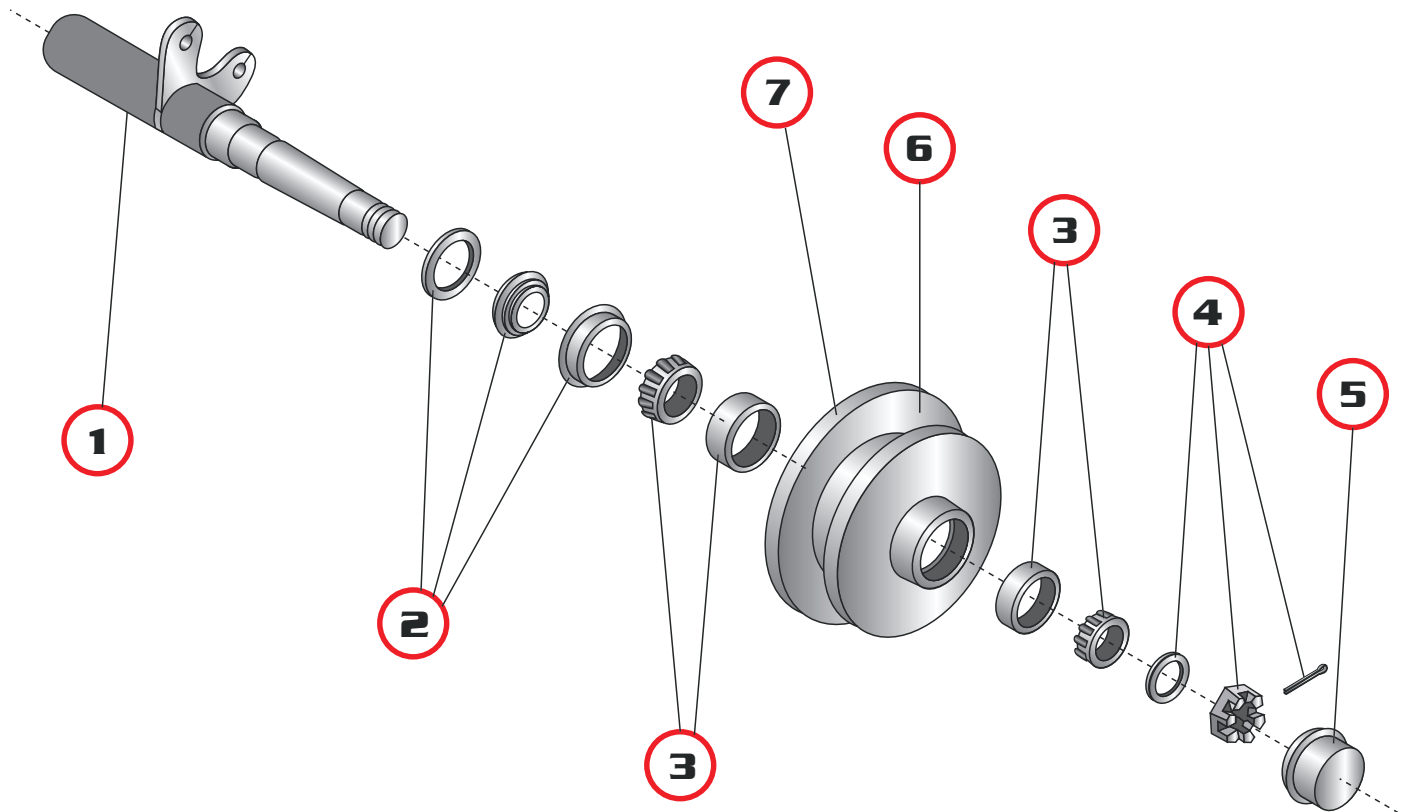
Item:	Part No:	Description:	Notes:
1	T993484	Stub Axle	Refer Page 109 for specs Refer Page 109 for specs
1a	OBSOLETE	Stub Axle & Double Yoke	
2	TPT1013	Seal Kit - Includes: 2 x Seals, Washers & Wear Rings.	Seal - 37mm ID
	TPT10131	Seal Kit - Includes: 1 x Seal, Washer & Wear Rings	Seal - 37mm ID
3	TPT1184	Bearing Kit - Includes: 1 x LM11910 & LM11949 Outer Cup & Cone. 1 x LM67010 & LM67048 Inner Cup & Cone.	Outer bearing 3/4" ID Inner Bearing 1 1/4" ID
	TPT11841	Bearing Cone Kit - Includes: 1 x LM11949 Outer Cone & 1 x LM67048 Inner Cone.	Use with new Hub which has fitted Cups
4	TPT1008	Nut Kit - Includes: 1 x 3/4" Nut, Washer & Split Pin.	
5	TPT1007	Grease Cap Kit - Includes: 2 x 45mm Grease Caps.	
6	HUB & ROTOR	These Hubs have 5 Spigots on its rear face. Fitted with LM11910 & LM67010 Bearing Cups.	Refer Page 111 for specs Available with 5 stud drillings only
	OBSOLETE	Hub & Cast Iron Rotor - Blank	
	OBSOLETE	Hub & Stainless Rotor - Blank	
	T611025	Hub & Cast Iron Rotor - 5 x 4 1/4 x 7/16	
	T612025	Hub & Stainless Rotor - 5 x 4 1/4 x 7/16	
	OBSOLETE	Hub & Cast Iron Rotor - 5 x 4 1/2 x 7/16	
	OBSOLETE	Hub & Stainless Rotor - 5 x 4 1/2 x 7/16	
	T611035	Hub & Cast Iron Rotor - 5 x 4 1/2 x 1/2	
	T612035	Hub & Stainless Rotor - 5 x 4 1/2 x 1/2	
	T611040	Hub & Cast Iron Rotor - 5 x 120 x 7/16	
	T612040	Hub & Stainless Rotor - 5 x 120 x 7/16	
	ROTORS	These Rotors suit the above Hubs. Bolts are included in Kit	
	7	TPT3110	
TPT3111		Alloy Bronze Rotor Kit - Includes: 2 x Rotors, 10 x Bolts	





1500kg Disc Braked Hub Spares

With 260mm Dia Bolt-on Rotor
[Obsolete Model]



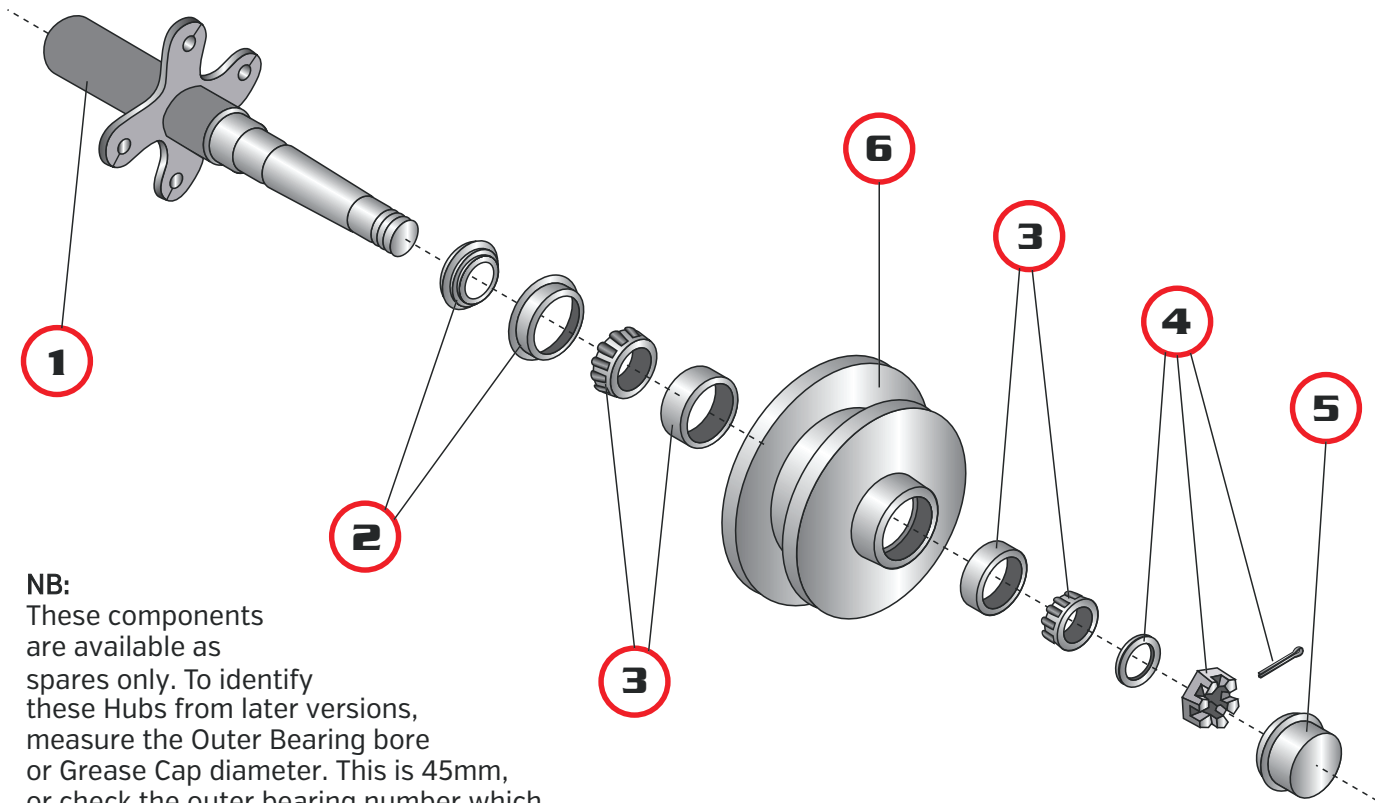
NB:
This range of 260mm Bolt On Disc Hubs are now obsolete.

Stub Axle Profiles - Non Braked Type			
Item:	Part No:	Description:	Notes:
1	OBSOLETE	Stub Axle - Right Hand	Refer Page 109 for specs
	OBSOLETE	Stub Axle - Left Hand	As above
2	TPT1013	Seal Kit - Includes: 2 x Seals, Washers & Wear Rings.	Seal - 37mm ID
	TPT10131	Seal Kit - Includes: 1 x Seal, Washer & Wear Ring	As above
3	TPT1184	Bearing Kit - Includes: 1 x LM11910 & LM11949 Outer Cup & Cone. 1 x LM67010 & LM67048 Inner Cup & Cone.	Outer bearing 3/4" ID Inner Bearing 1 1/4" ID
	TPT11841	Bearing Cone Kit - Includes: 1 x LM11949 Outer Cone & 1 x LM67048 Inner Cone.	
4	TPT1008	Nut Kit - Includes: 1 x 3/4" Nut, Washer & Split Pin.	
5	TPT1007	Grease Cap Kit - Includes: 2 x 45mm Grease Caps.	
6	HUB & ROTOR	These Hubs have 5 Spigots on its rear face. Fitted with LM11910 & LM67010 Bearing Cups.	Refer Page 111 for specs
	OBSOLETE	Hub & Cast Iron Rotor - 5" x 4 1/2" x 7/16"	Rotor 260mm dia
	OBSOLETE	Hub & Cast Iron Rotor - 5" x 4 1/2" x 1/2"	Rotor 260mm dia
	OBSOLETE	Hub & Alloy Bronze Rotor - 5" x 4 1/2" x 7/16"	Rotor 260mm dia
	OBSOLETE	Hub & Alloy Bronze Rotor - 5" x 4 1/2" x 1/2"	Rotor 260mm dia
7	OBSOLETE	260mm dia Rotor	Cast Iron
	OBSOLETE	260mm dia Rotor	Alloy Bronze



2000kg Disc Braked Hub Spares

275mm Dia Rotor Integral with Hub [Obsolete Model]



NB:

These components are available as spares only. To identify these Hubs from later versions, measure the Outer Bearing bore or Grease Cap diameter. This is 45mm, or check the outer bearing number which is LM11910 Cup and LM11949 Cone. Later version have a larger Cup and Bearing. These components also suit early 35cwt, 40cwt and 2000kg Duratorques with 3/4" dia Outer Bearing.

Stub Axle Profiles - Disc Braked Type

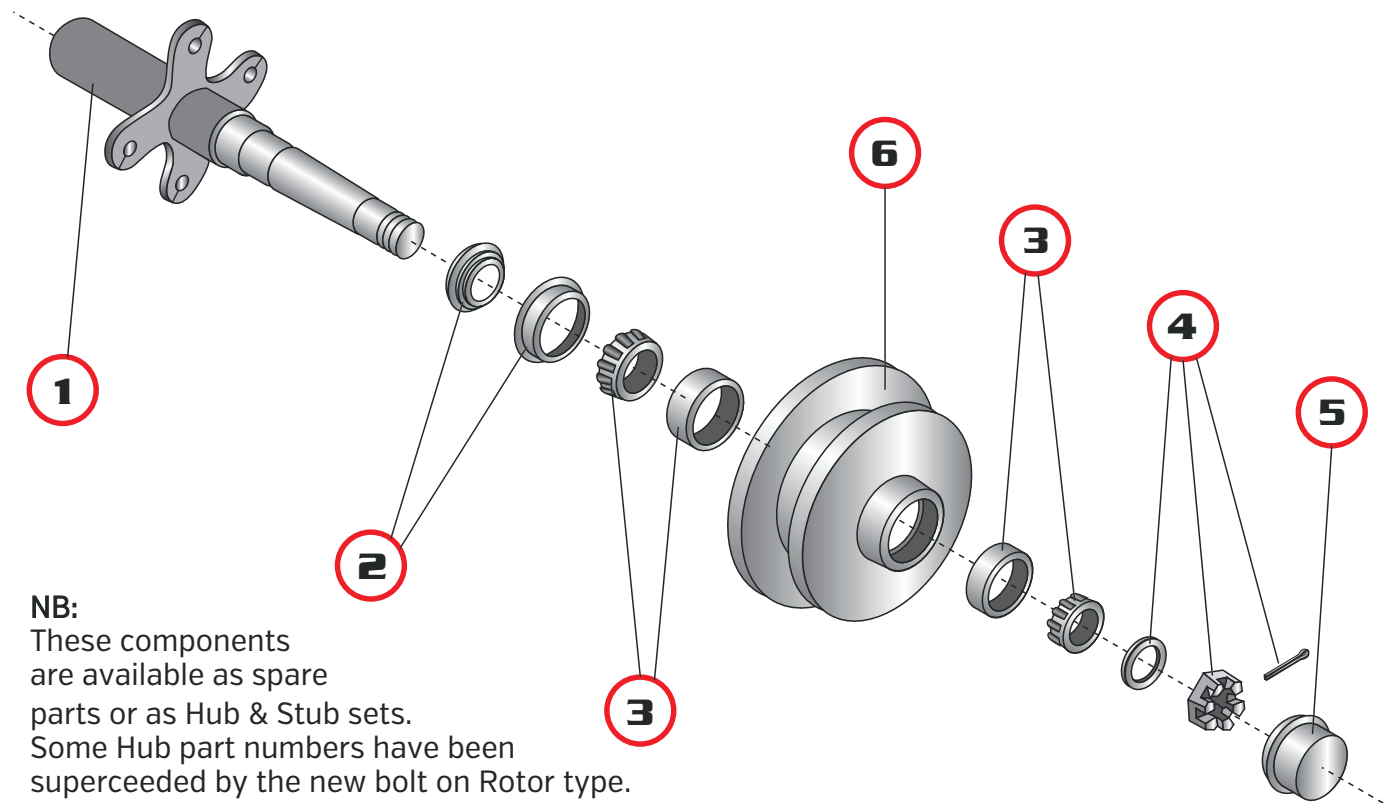
Item:	Part No:	Description:	Notes:
1	OBSOLETE	Stub Axle & Yoke	Refer Page 109 for specs
1a	GREASE SEAL	Very early versions had the Seal integral with the Inner Bearing. These can be interchanged with the listed parts.	
2	TPT1014	Seal Kit - Includes: 2 x Seals, Washers & Wear Rings.	Seal - 46mm ID
	TPT10141	Seal Kit - Includes: 1 x Seal, Washer & Wear Ring	As above
3	BEARINGS	Very early versions had the Inner Bearing integral with the Seal. These can be interchanged with the listed parts.	
	TPT1011	Bearing Kit - Includes: 1 x LM11910 & LM11949 Outer Cup & Cone. 1 x LM48510 & LM48548 Inner Cup & Cone.	Outer bearing 3/4" ID Inner Bearing 1 1/4" ID
	TPT10111	Bearing Cone Kit - Includes: 1 x LM11949 Outer Cone & 1 x LM48548 Inner Cone.	
4	TPT1008	Nut Kit - Includes: 1 x 3/4" Nut, Washer & Split Pin.	
5	TPT1007	Grease Cap Kit - Includes: 2 x 45mm Grease Caps.	
6	HUBS	These Hubs with Integral Rotors have a Flange dia of 220mm, and a Rotor dia of 275mm. Fitted with LM11910 & LM48510 Bearing Cups.	Refer Page 111 for specs
	OBSOLETE	Hub - Blank	
	OBSOLETE	Hub - 5 x 4 1/2 x 7/16	
	OBSOLETE	Hub - 5 x 4 1/2 x 7/16	
	OBSOLETE	Hub - 5 x 4 3/4 x 7/16	
	OBSOLETE	Hub - 6 x 5 1/2 x 1/2	





2000kg Disc Braked Hub Spares

275mm Dia Rotor Integral with Hub [Current model]



NB:

These components are available as spare parts or as Hub & Stub sets. Some Hub part numbers have been superseded by the new bolt on Rotor type. To identify these Hubs from earlier versions, measure the Outer Bearing bore or Grease Cap diameter. This is 50.2mm, or check the outer bearing numbers which are LM44610 Cup and LM44649 Cone. These components also suit late model 2200kg Duratorque Suspensions.

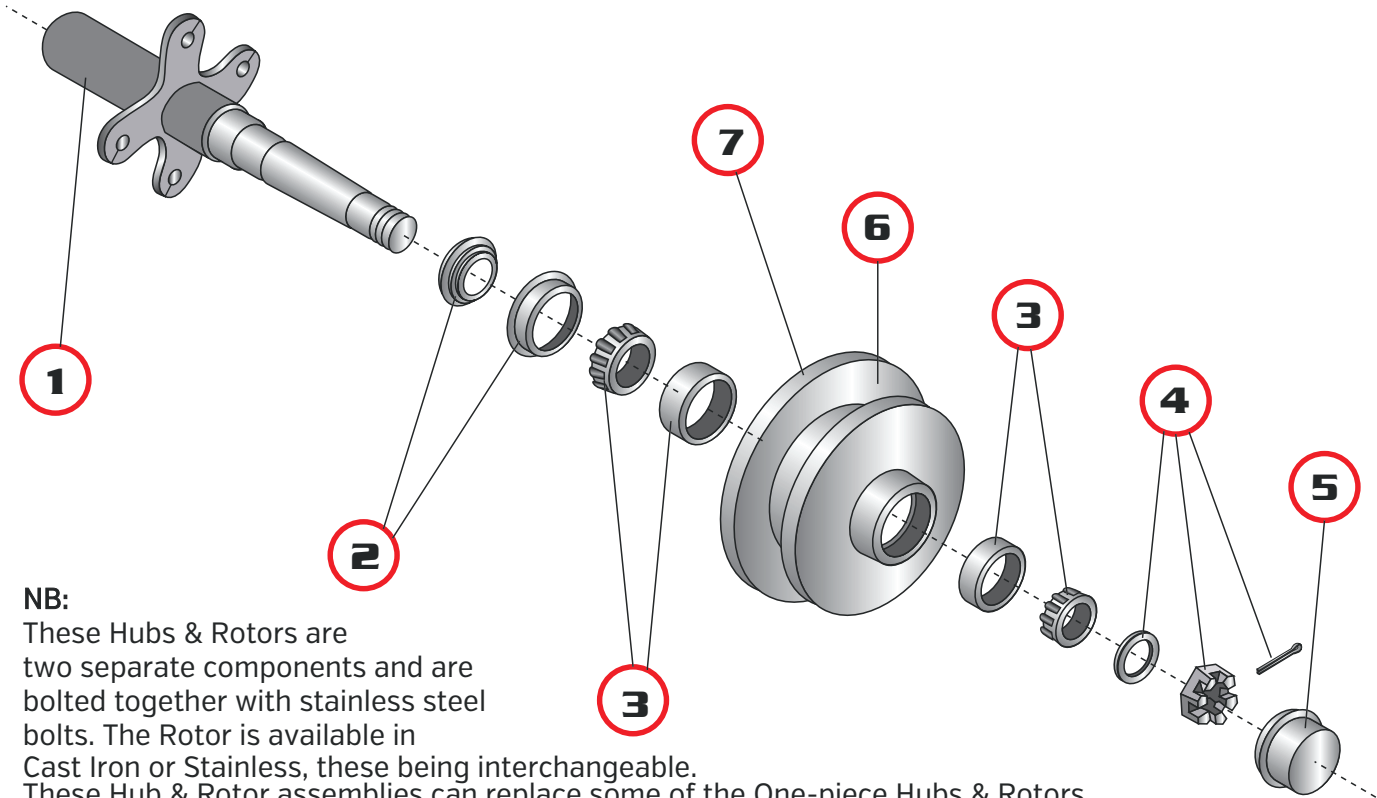
Stub Axle Profiles - Disc Braked Type

Item:	Part No:	Description:	Notes:
1	T994297	Stub Axle & Yoke	Refer Page 109 for specs
2	TPT1014	Seal Kit - Includes: 2 x Seals, Washers & Wear Rings.	Seal - 37mm ID
	TPT10141	Seal Kit - Includes: 1 x Seal, Washer & Wear Ring	As above
3	TPT1129	Bearing Kit - Includes: 1 x LM44610 & LM44649 Outer Cup & Cone. 1 x LM48510 & LM48548 Inner Cup & Cone.	Outer bearing 1.06" ID Inner Bearing 1.375" ID
	TPT11291	Bearing Cone Kit - Includes: 1 x LM44649 Outer Cone & 1 x LM48548 Inner Cone.	
4	TPT10081	Nut Kit - Includes: 1 x 3/4" Nut, Washer & Split Pin.	Large Hex Nut
5	TPT1140	Grease Cap Kit - Includes: 1 x 50.2mm Grease Cap.	
6	HUBS	These Integral Hubs have a Flange dia of 220mm, and a Rotor dia of 275mm. Fitted with LM44610 & LM48510 Bearing Cups. These Hubs can be replaced with the latest bolt on Rotor type where shown. See RH column below.	Refer Page 111 for specs
	OBSOLETE	Hub - Blank	Can use T631005 or T632005
	OBSOLETE	Hub - 5 x 4 1/2 x 7/16	No Alternate
	T630035	Hub - 5 x 4 1/2 x 1/2	Can use T631035 or T632035
	OBSOLETE	Hub - 5 x 4 3/4 x 7/16	Can use T631040 or T632040
	OBSOLETE	Hub - 5 x 6 1/2 x 1/2	No Alternate
	T630055	Hub - 6 x 5 1/2 x 1/2	Can use T631055 or T632055



2000kg Disc Braked Hub Spares

260mm & 275mm Dia Bolt-On Rotor [Current Model]



NB:

These Hubs & Rotors are two separate components and are bolted together with stainless steel bolts. The Rotor is available in Cast Iron or Stainless, these being interchangeable. These Hub & Rotor assemblies can replace some of the One-piece Hubs & Rotors shown on Page 101. Note that two Rotor diagrams are used.

Stub Axle Profiles - Disc Braked Type

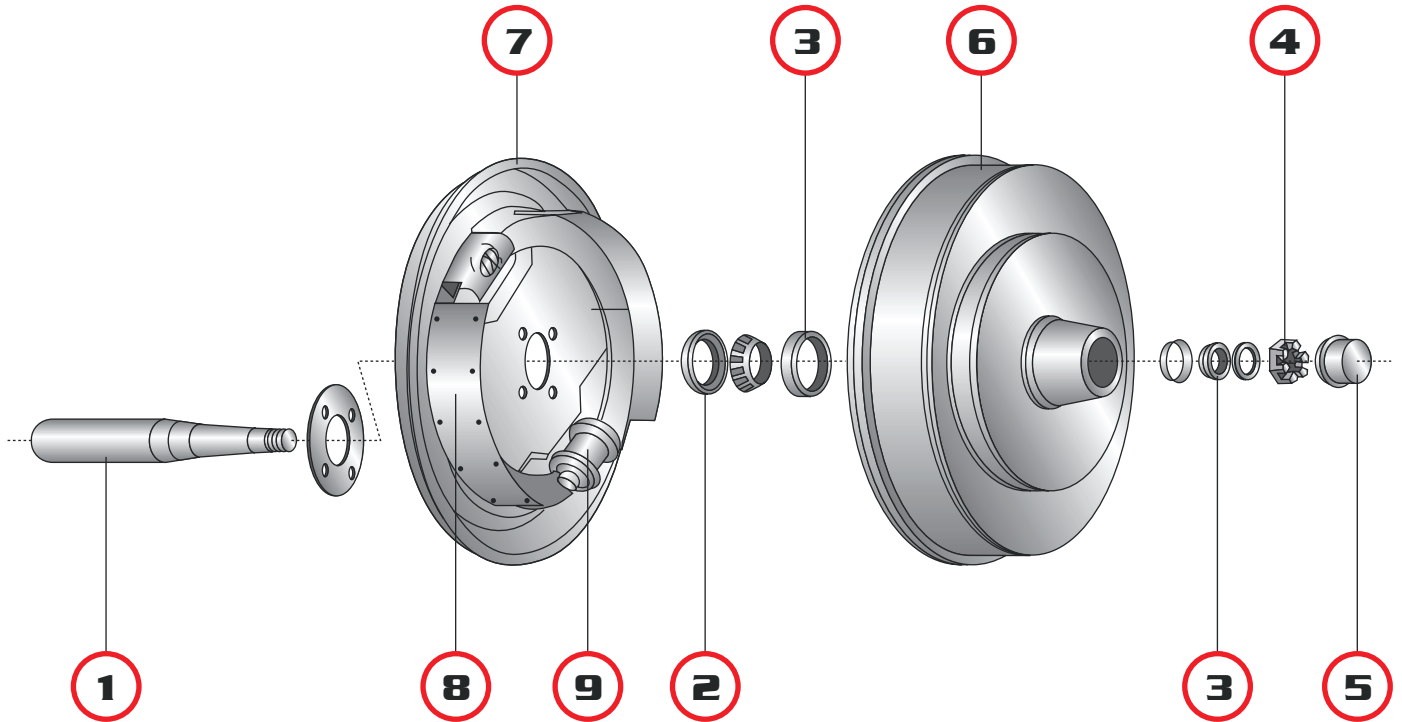
Item:	Part No:	Description:	Notes:
1	T994297	Stub Axle & Yoke - Latest version is single yoke	Refer Page 109 for specs
2	TPT1014	Seal Kit - Includes: 2 x Seals, Washers & Wear Rings.	Seal - 37mm ID
	TPT10141	Seal Kit - Includes: 1 x Seal, Washer & Wear Ring	As above
3	TPT1129	Bearing Kit - Includes: 1 x LM44610 & LM44649 Outer Cup & Cone. 1 x LM48510 & LM48548 Inner Cup & Cone.	Outer bearing 1.06" ID Inner Bearing 1.375" ID
	TPT11291	Bearing Cone Kit - Includes: 1 x LM44649 Outer Cone & 1 x LM48548 Inner Cone.	Use with new Hub which has fitted Cups
4	TPT10081	Nut Kit - Includes: 1 x 3/4" Nut, Washer & Split Pin.	Large Hex Nut
5	TPT1140	Grease Cap Kit - Includes: 2 x 50.2mm Grease Caps.	
6	HUBS & ROTORS	These Hubs are assembled with either Cast Iron or Alloy Bronze Rotors. See below for separate components. Hubs are fitted with LM44610 & LM48548 Bearing Cups.	Refer Page 110 for specs
	T631005	Hub & Cast Iron Rotor - Blank - 275mm dia Rotor	
	T632005	Hub & Stainless Rotor - Blank - 275mm dia Rotor	
	T631035	Hub & Cast Iron Rotor - 5 x 4 1/2 x 1/2 - 275mm dia Rotor	
	T632035	Hub & Stainless Rotor - 5 x 4 1/2 x 1/2 - 275mm dia Rotor	
	T631040	Hub & Cast Iron Rotor - 5 x 120 x 7/16 - 275mm dia Rotor	
	T632040	Hub & Stainless Rotor - 5 x 120 x 7/16 - 275mm dia Rotor	
	T631055	Hub & Cast Iron Rotor - 6 x 5 1/2 x 1/2 - 275mm dia Rotor	
	T632055	Hub & Stainless Rotor - 6 x 5 1/2 x 1/2 - 275mm dia Rotor	
	OBSOLETE	Hub & Cast Iron Rotor - 5 x 4 1/2 x 1/2 - 260mm dia Rotor	
	OBSOLETE	Hub & Alloy Bronze Rotor - 5 x 4 1/2 x 1/2 - 260mm dia Rotor	
	ROTORS	These Rotor Kits include: 2 x Rotors & 10 x Mounting Bolts	
7	TPT3112	Cast Iron Rotor Kit - Includes Bolts - 275mm dia Rotor	
	TPT3113	Stainless Rotor Kit - Includes Bolts - 275mm dia Rotor	
	OBSOLETE	Cast Iron Rotor - Includes Bolts - 260mm dia Rotor	
	OBSOLETE	Stainless Rotor - Includes Bolts - 260mm dia Rotor	





9" Hydraulic Drum Brake Spares

NB: For Identification, measure the inside diameter of the Drum and the width of the Brake Shoes. The Drum is 9" inside and the Shoes are 1 1/2" wide. The Drum is integral with the Hub. These components also suit 1000kg Duratorque Suspensions.

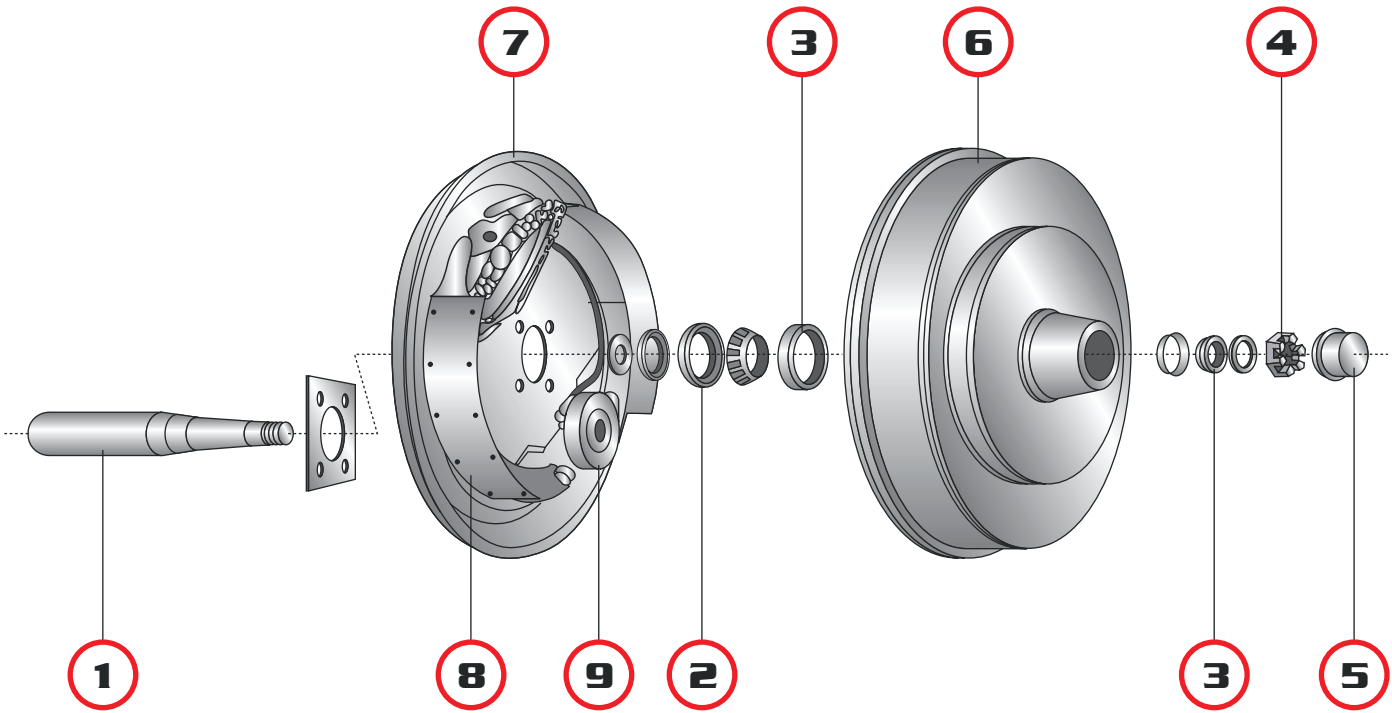


9" Hydraulic Drum Brake Spares			
Item:	Part No:	Description:	Notes:
1	T593664	Stub Axle & Flange Assembly.	Refer Page 109 for specs
2	TPT1013	Seal Kit - Includes: 2 x Seals, Washers & Wear Rings.	Seal diameter 37mm ID
3	TPT1184	Bearing Kit - Includes: 1 x LM11910 & LM11949 Outer Cup & Cone. 1 x LM67010 & LM67048 Inner Cup & Cone.	
	TPT11841	Bearing Cone Kit - Includes: 1x LM11949 Outer Cone & 1 x LM67048 Inner Cone.	Use with New Hub which has fitted cups
4	TPT1008	Nut Kit - Includes: 1 x 3/4" Nut, Washer & Split Pin.	
5	TPT1007	Grease Cap Kit - Includes: 2 x 45mm dia Caps.	
6	HUB & DRUM	<i>These Drums are 9" inside dia. Hubs fitted with LM11910 & LM67010 Bearing Cups.</i>	
	OBSOLETE	<i>Hub & Drum - Blank</i>	
	OBSOLETE	<i>Hub & Drum - 4 x 4 1/2 x 7/16</i>	
	OBSOLETE	<i>Hub & Drum - 5 x 4 1/4 x 7/16</i>	
	OBSOLETE	<i>Hub & Drum - 5 x 4 1/2 x 7/16</i>	
	T995435	<i>Hub & Drum - 5 x 4 1/2 x 1/2</i>	
	T995440	<i>Hub & Drum - 5 x 4 3/4 x 7/16</i>	
7	OBSOLETE	<i>Hub & Drum - 6 x 5 1/2 x 1/2</i>	
	T593662	Backing Plate Assembly - Left Hand	
	T593663	Backing Plate Assembly - Right Hand	
8	TPT5008	Brake Shoe - Set (1 Pair)	
9	TPT1045	Wheel Cylinder Assembly	



10" Electric Drum Brake Spares

NB: For Identification, measure the inside diameter of the Drum and the width of the Brake Shoes. The Drum is 10" inside and the Brake Shoes 2 1/4" wide. The Drum is integral with the Hub. Also identify the type of magnet. Early versions fitted with a round magnet, while the later version were is oval. These components suit 1500kg and 1750kg axles.



10" Electric Drum Brake Spares			
Item:	Part No:	Description:	Notes:
1	T993465	Stub Axle & Flange Assembly - 1500kg version	Refer Page 109 for specs
2	TPT1013 TPT1013 5	Seal Kit 1500kg - Includes: 2 x Seals, Washers & Wear Rings. Seal Kit 1750kg - Includes: 1 x Seal & Wear Ring.	Seal diameter 37mm ID Seal diameter 43mm ID
3	TPT1184	Bearing Kit 1500kg - Includes: 1 x LM11910 & LM11949 Outer Cup & Cone. 1 x LM67010 & LM67048 Inner Cup & Cone.	Outer Bearing 3/4" ID Inner Bearing 1 1/4" ID
	TPT118 6	Bearing Kit 1750kg - Includes: 1 x LM12710 & LM12749 Outer Cup & Cone. 1 x LM68110 & LM68149 Inner Cup & Cone.	
4	TPT1008	Nut Kit - Includes: 1 x 3/4" Nut, Washer & Split Pin.	
5	TPT1007	Grease Cap Kit - Includes: 2 x 45mm dia Caps.	
6	HUB & DRUM	These Drums are 10" inside dia. Hubs fitted with LM11910 & LM67010 or LM12710 & LM68110 Bearing Cups.	
	OBSOLETE	Hub & Drum 1500kg - Blank	
	T995535	Hub & Drum 1500kg - 5 x 4 1/2 x 1/2	
	T995555	Hub & Drum 1500kg - 6 x 5 1/2 x 1/2	
	T997435	Hub & Drum 1750kg - 5 x 4 1/2 x 1/2	
	T997455	Hub & Drum 1750kg - 6 x 5 1/2 x 1/2	
7	T593802	Backing Plate Assembly - Left Hand	
	T593803	Backing Plate Assembly - Right Hand	
8	TPT5010	Brake Shoe Set - (One Side)	
9	OBSOLETE	Magnet - Round Type	
	TPT5002	Magnet - Oval Type - Current Version	

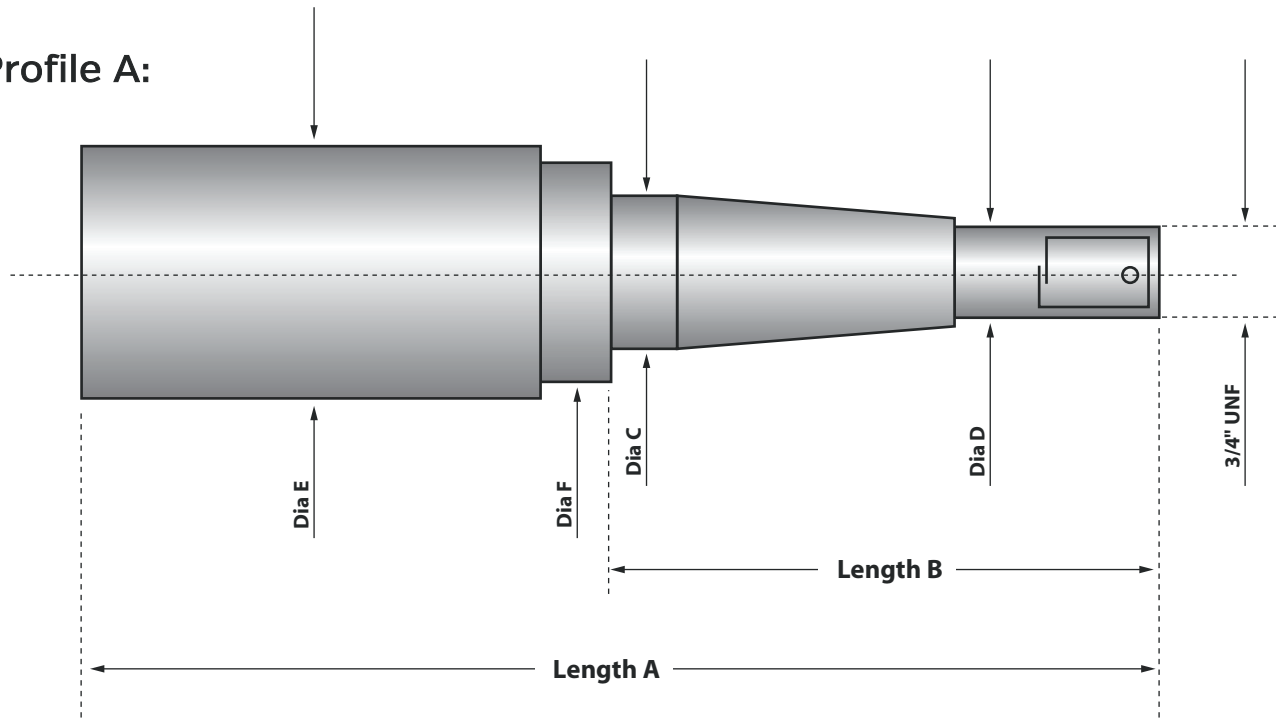




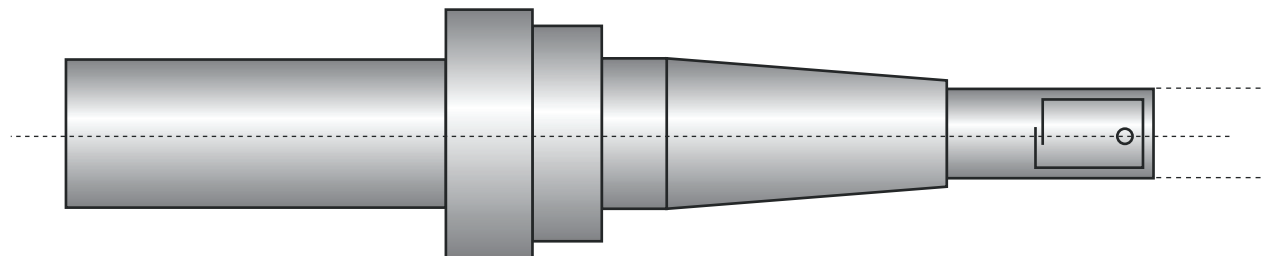
Stub Axle Profiles - Non Braked Type

NB: Some very early Stub Axles are no longer available but in some instances later versions can be modified to suit. This mainly applies to Stub Axles fitted to Duratorque Suspensions where they are shorter in length to the ones listed below.

Profile A:



Profile B:

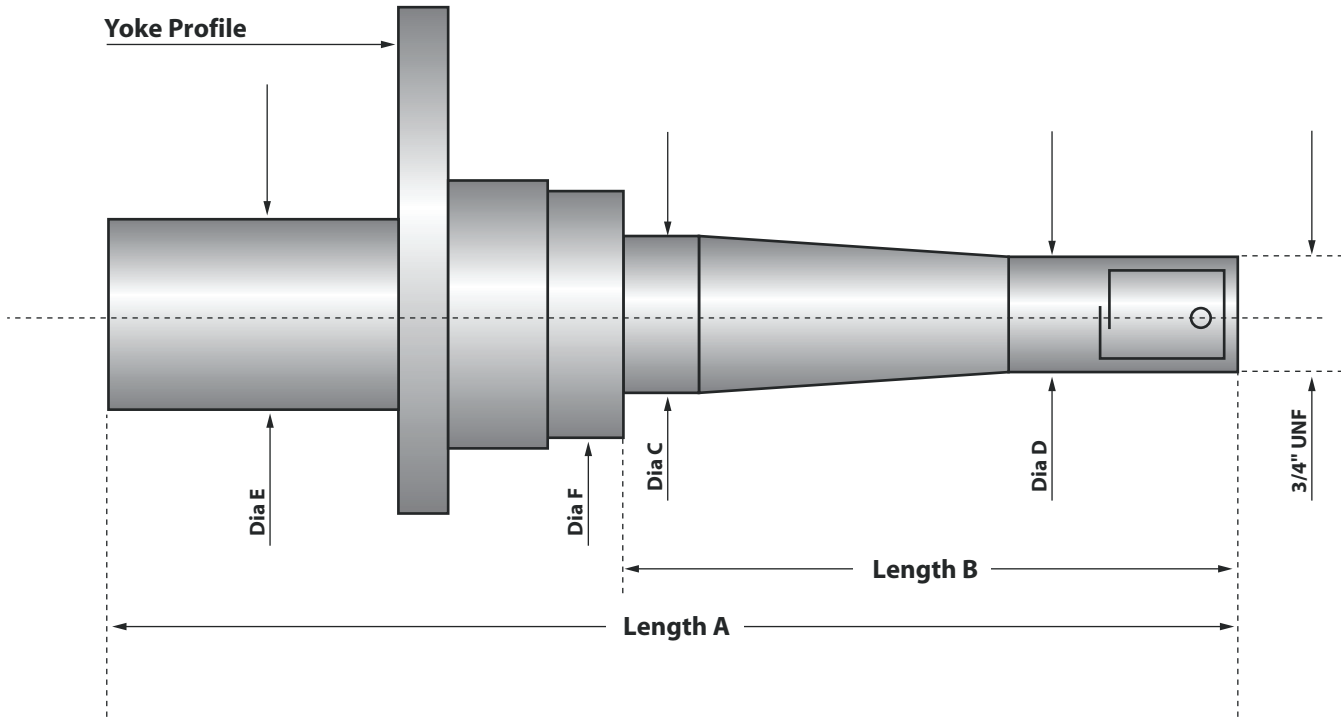


Stub Axle Profiles Non Braked Type								
Part No:	Description:	A	B	C	D	E	F	Profile:
OBSOLETE	Early 1000kg Non-Braked Hubs	260mm	92mm	25.4mm	19mm	32mm	31mm	A
OBSOLETE	Early 1500kg Non-Braked Hubs	260mm	94.5mm	31.75mm	19mm	38mm	37mm	A
T995020	Current 1500kg Non-Braked Hubs	218mm	106mm	31.75mm	19mm	38mm	37mm	A
T995022	Current 1500kg Non-Braked Hubs	218mm	106mm	31.75mm	19mm	33.8mm	37mm	B
OBSOLETE	Early 2000kg Non-Braked Hubs	260mm	98.4mm	35mm	19mm	38mm	47mm	B
OBSOLETE	Late 2000kg Non-Braked Hubs	260mm	98.4mm	35mm	26.98mm	38mm	47mm	B
T994097	2000kg Hubs with provision for Rotors	260mm	117mm	35mm	26.98mm	38mm	47mm	B

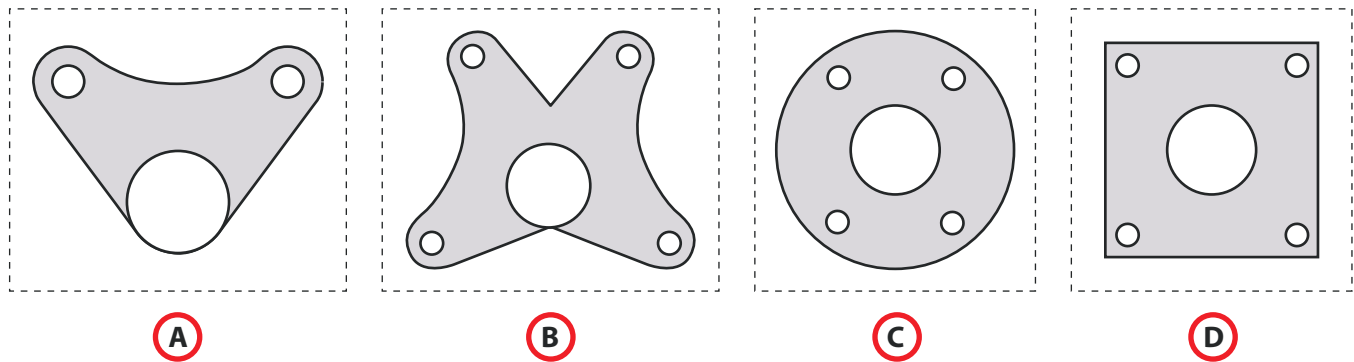


Stub Axle Profiles - Braking Type

NB: Braking Stub Axles are fitted with 'yokes' or 'flanges' for mounting Calipers or Backing Plates. A profile of the different mountings are shown below.



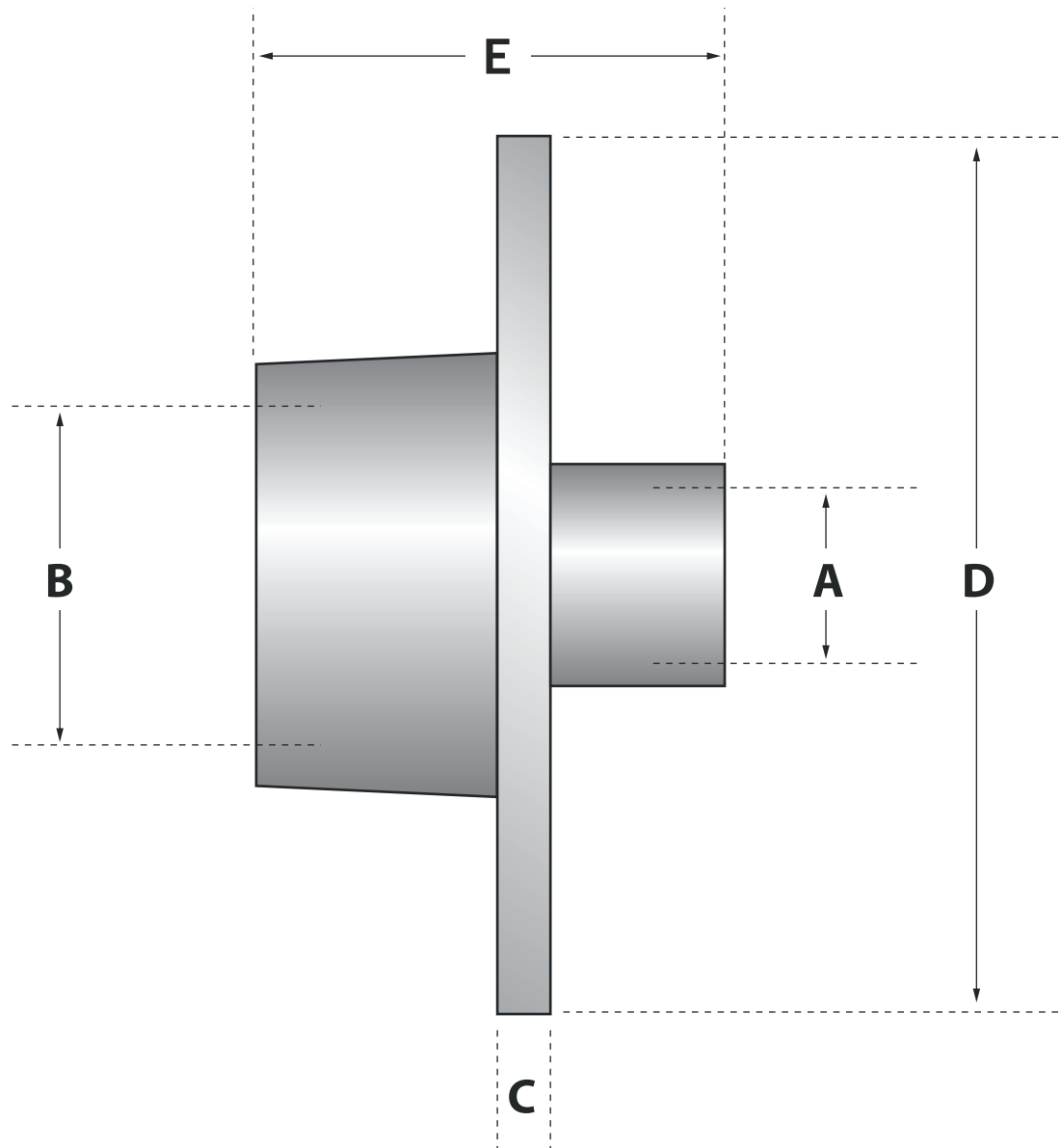
Stub Axle Profiles - Braking Type								
Part No:	Description:	A	B	C	D	E	F	Flange:
OBSELETE	Early 225mm dia - 1500kg Disc Brake	260mm	110mm	31.75mm	19mm	38mm	37mm	A
T993484	Current 225mm dia - 1500kg Disc Brake	260mm	106mm	31.75mm	19mm	38mm	37mm	A
OBSELETE	Current 225mm dia - 1500kg Disc Brake	260mm	106mm	31.75mm	19mm	38mm	37mm	B
OBSELETE	Current 260mm dia - 1500kg Disc Brake - RH	260mm	106mm	31.75mm	19mm	38mm	37mm	A
OBSELETE	Current 260mm dia - 1500kg Disc Brake - LH	260mm	106mm	31.75mm	19mm	38mm	37mm	A
OBSELETE	Early 275mm dia - 2000kg Disc Brake	260mm	117mm	35mm	19mm	38mm	47mm	B
T994297	Late 275mm dia - 2000kg Disc brake	260mm	117mm	35mm	26.98mm	38mm	47mm	B
T593664	Current 9" dia Hydraulic Drum Brakes	260mm	106mm	31.75mm	19mm	38mm	37mm	C
T993465	10" dia Electric Drum Brakes	260mm	106mm	31.75mm	19mm	38mm	37mm	D





Hub Dimensions: Non Braked

These dimensions are approximate only and are to be used for hub identification purposes only.
 NB: They are not to be used as machining dimensions.



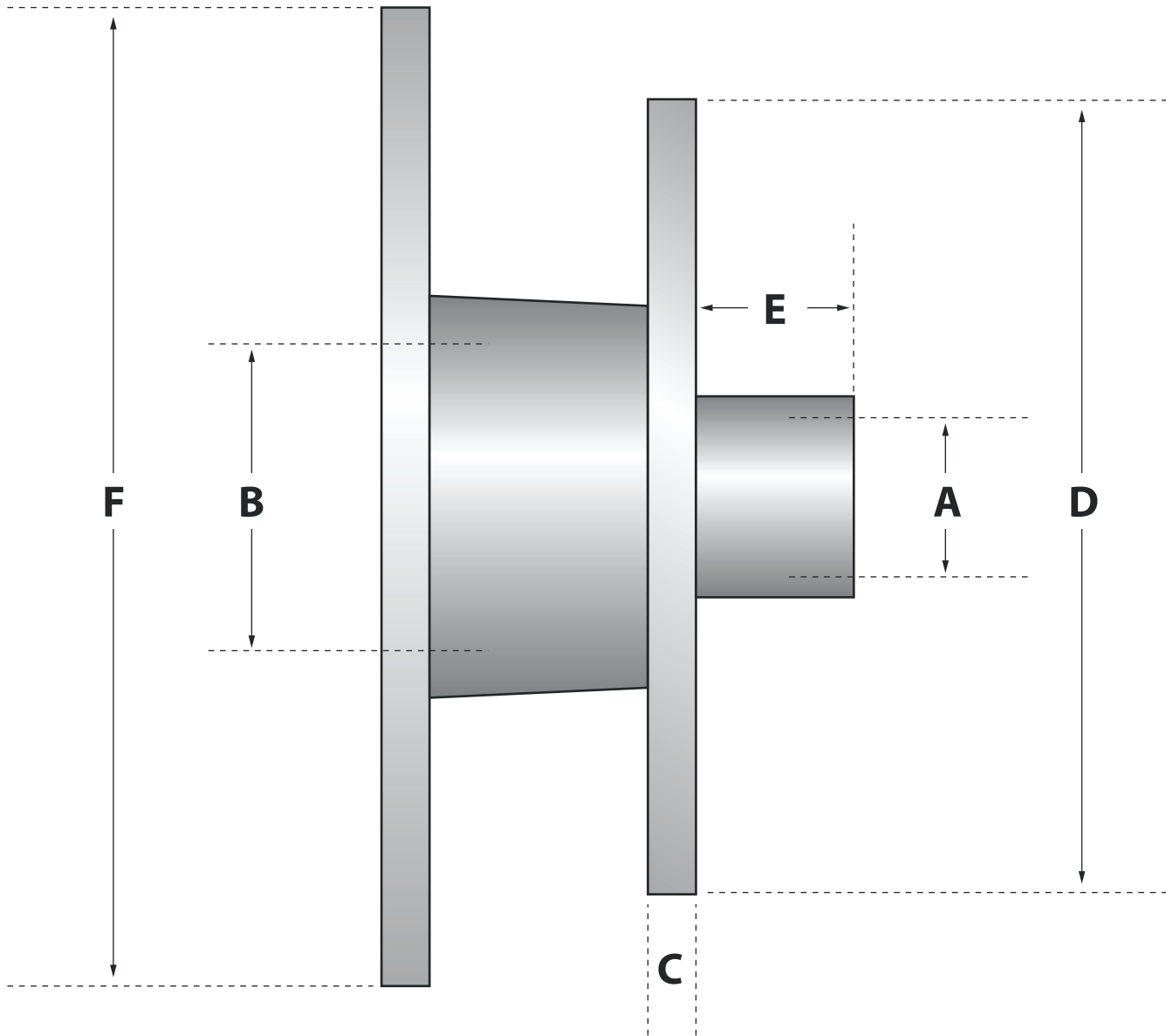
Hub Dimensions: Disc Brakes

Hub Type: NON BRAKED	Page:	Fig A: OUTER BORE	Fig B: INNER BORE	Fig C: FLANGE THICKNESS	Fig D: FLANGE DIAMETER	Fig E: WIDTH OVERALL
1000kg	Pg-92	45mm	50mm	14mm	175mm	85mm
1500kg	Pg-93	45mm	59mm	18mm	175mm	87mm
1500kg (Check Flange Diameter)	Pg-93	45mm	59mm	11mm	140mm	97mm
				11mm	155mm	97mm
				14mm	190mm	97mm
1500kg (Spigot Type)	Pg-95	45mm	59mm	11mm	155mm	97mm
2000kg	Pg-95	45mm	65mm	17mm	220mm	90mm
2000kg	Pg-97	50mm	65mm	17mm	220mm	90mm
2000kg (Spigot Type)	Pg-98	50mm	65mm	13mm	190mm	110mm



Hub Dimensions: Disc Braked

These dimensions are approximate only and are to be used for hub identification purposes only.
NB: They are not to be used as machining dimensions.



Hub Dimensions: Disc Brakes

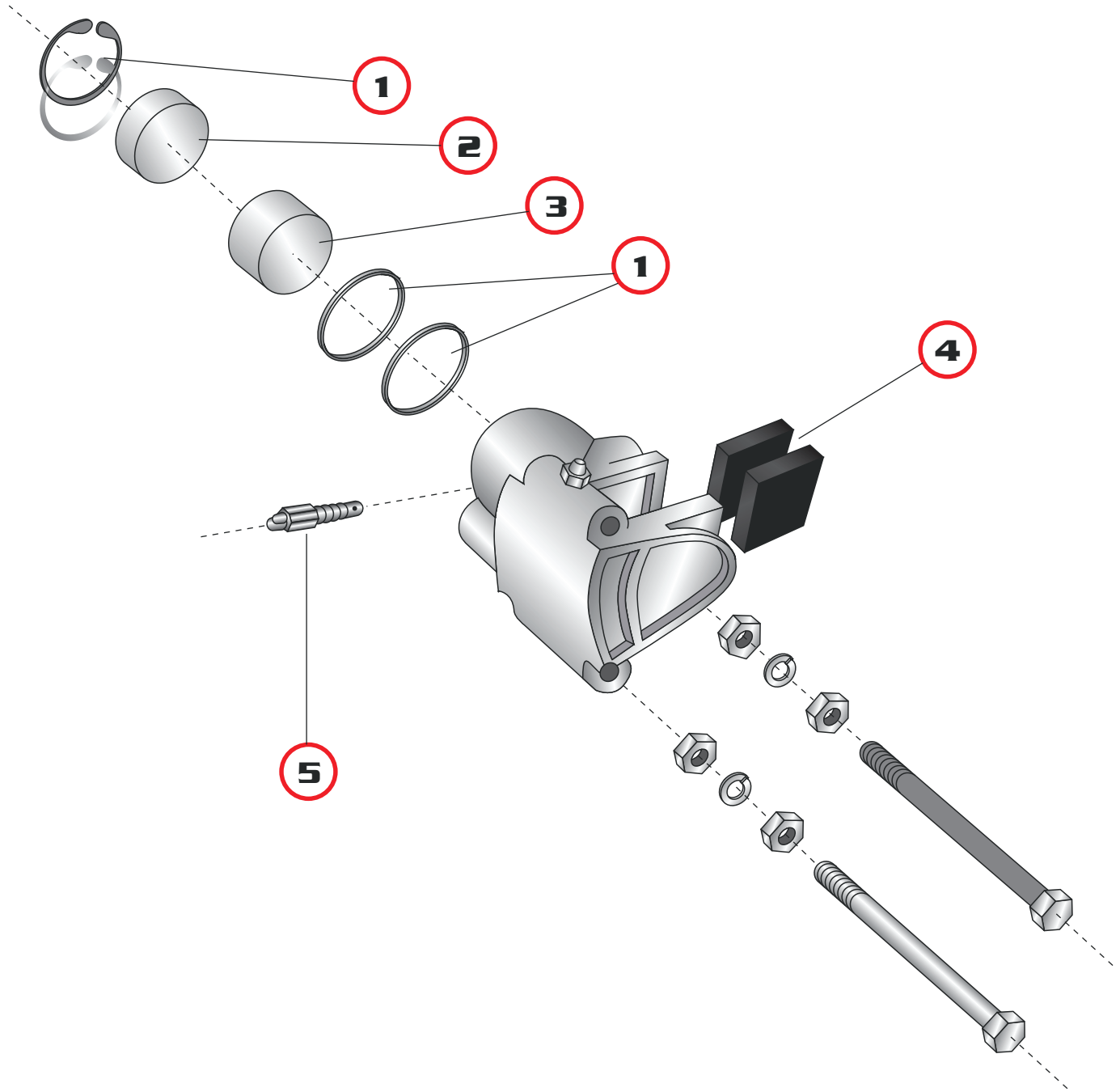
Hub Type: DISC BRAKED	Page:	Fig A: OUTER BORE	Fig B: INNER BORE	Fig C: FLANGE THICKNESS	Fig D: FLANGE DIAMETER	Fig E: BOSS LENGTH	Fig F: ROTOR DIAMETER
1500kg	Pg-99	45mm	59mm	15mm	180mm	27mm	225mm
1500kg	Pg-100	45mm	59mm	15mm	180mm	34mm	225mm
1500kg (Spigot Type)	Pg-101	45mm	59mm	12mm	155mm	38mm	225mm or 260mm
2000kg	Pg-102	45mm	65mm	15mm	220mm	30mm	275mm
2000kg	Pg-103	50mm	65mm	15mm	220mm	30mm	275mm
2000kg (Spigot Type)	Pg-104	50mm	65mm	13mm	190mm	30mm	275mm or 260mm





Hydraulic Caliper - Mk1

[Obsolete - Some spares available]



Hydraulic Caliper - MK1

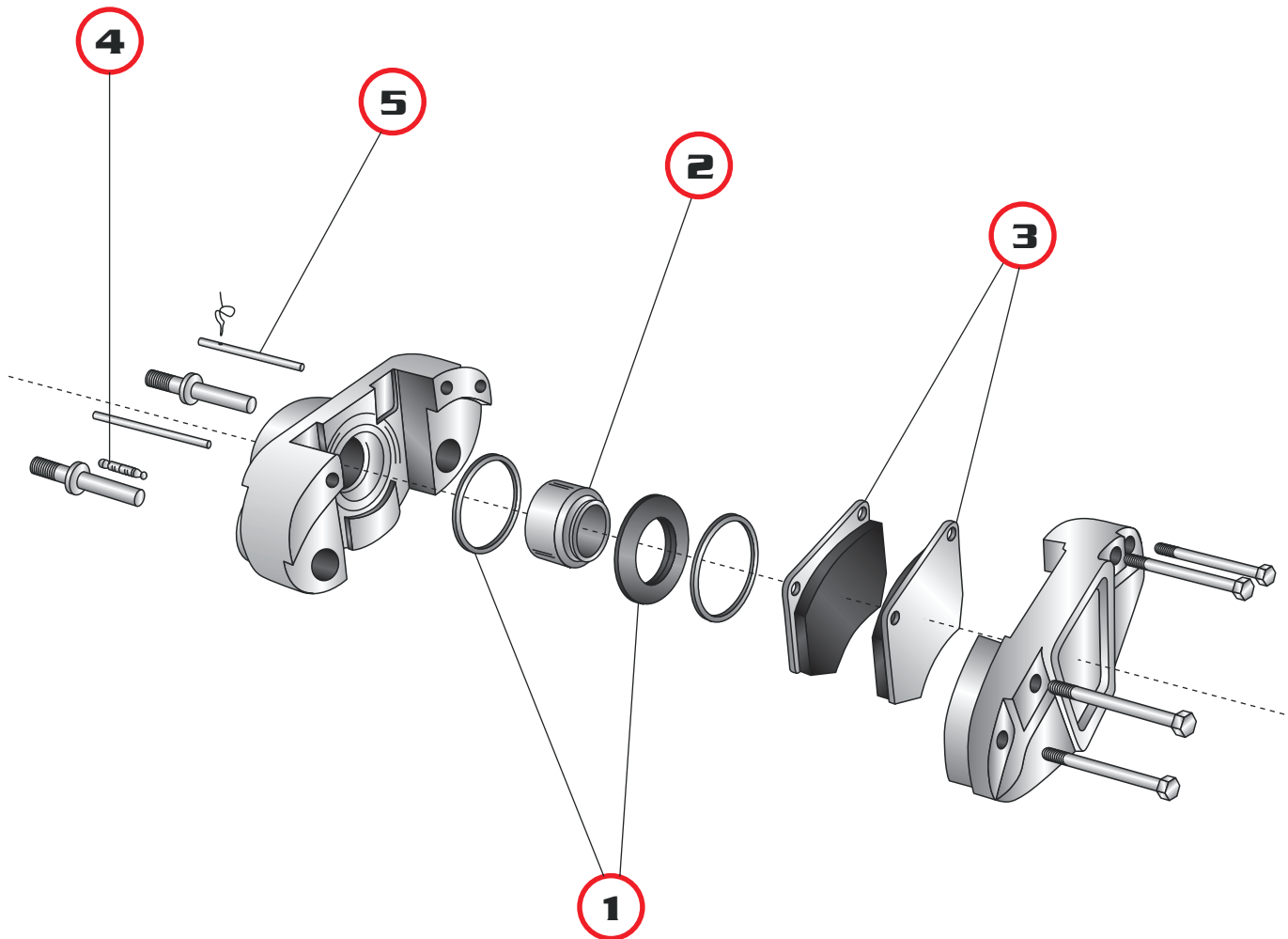
Item:	Part No:	Description:	Notes:
1	TPT1015	O Ring Kit - Includes: 2 x O Rings & 1 x Circlip	1 3/4" x 1/8"
	TPT1072	Kit - Includes: 2 x O Rings, 1 x Circlip, & 2 x Brake Pads	Includes items 1 & 4
2	OBSOLETE	Piston	Shorter of the two
3	OBSOLETE	Piston	Longer of the two
4	TPT1016	Brake Pad Kit	1 3/8" square
5	TPT1092	Bleed Screw	1/4" unc thread



Hydraulic Disc Brake Caliper - MK2

[Obsolete - Some spares available]

NB: These Calipers are no longer available as complete units. Components that are not numbered are no longer available. If these Calipers require replacement order part numbers TPT1099 for Cast Iron Calipers. These Calipers are a direct replacement and the kits include Pads and Mounting Bolts.



Hydraulic Disc Brake Caliper - Early MK2 Version

Item:	Part No:	Description:	Notes:
1	TPT1017	O Ring Kit - Includes: 1 x O Ring & 1 x Boot	
	TPT1074	Kit - Includes: 1 x O Ring, 1 x Boot & 2 x Brake Pads	Includes items 1 & 3
2	OBSOLETE	Piston	Now Phenolic
3	TPT1018	Brake Pad Kit - Includes 2 x Brake Pads	
4	TPT1092	Bleed Screw - Includes 1 x Bleed Screw	1/4" UNC thread
5	TPT1093	Locating Pin Kit - Includes: 2 x Pins & 2 x Clips	

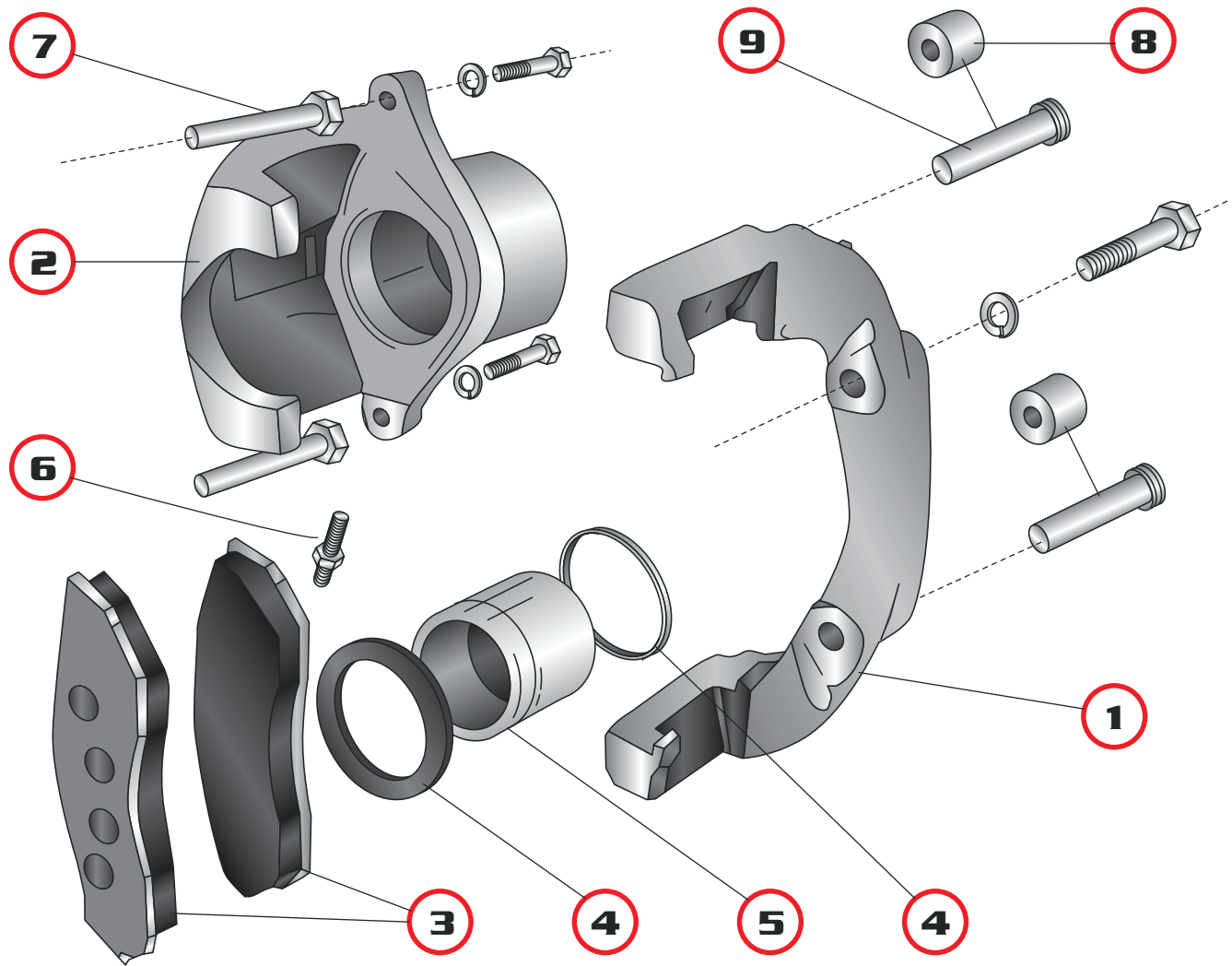




Hydraulic Disc Brake Caliper

Current Model - Cast Iron Version

NB: These Calipers are standard Cast Iron versions and are available as complete units. Where used for replacing earlier MK2 Calipers, the only difference is the Anchor Plate. See under note column below.



Hydraulic Disc Brake Caliper - Current MK5 Model - Cast Iron Version

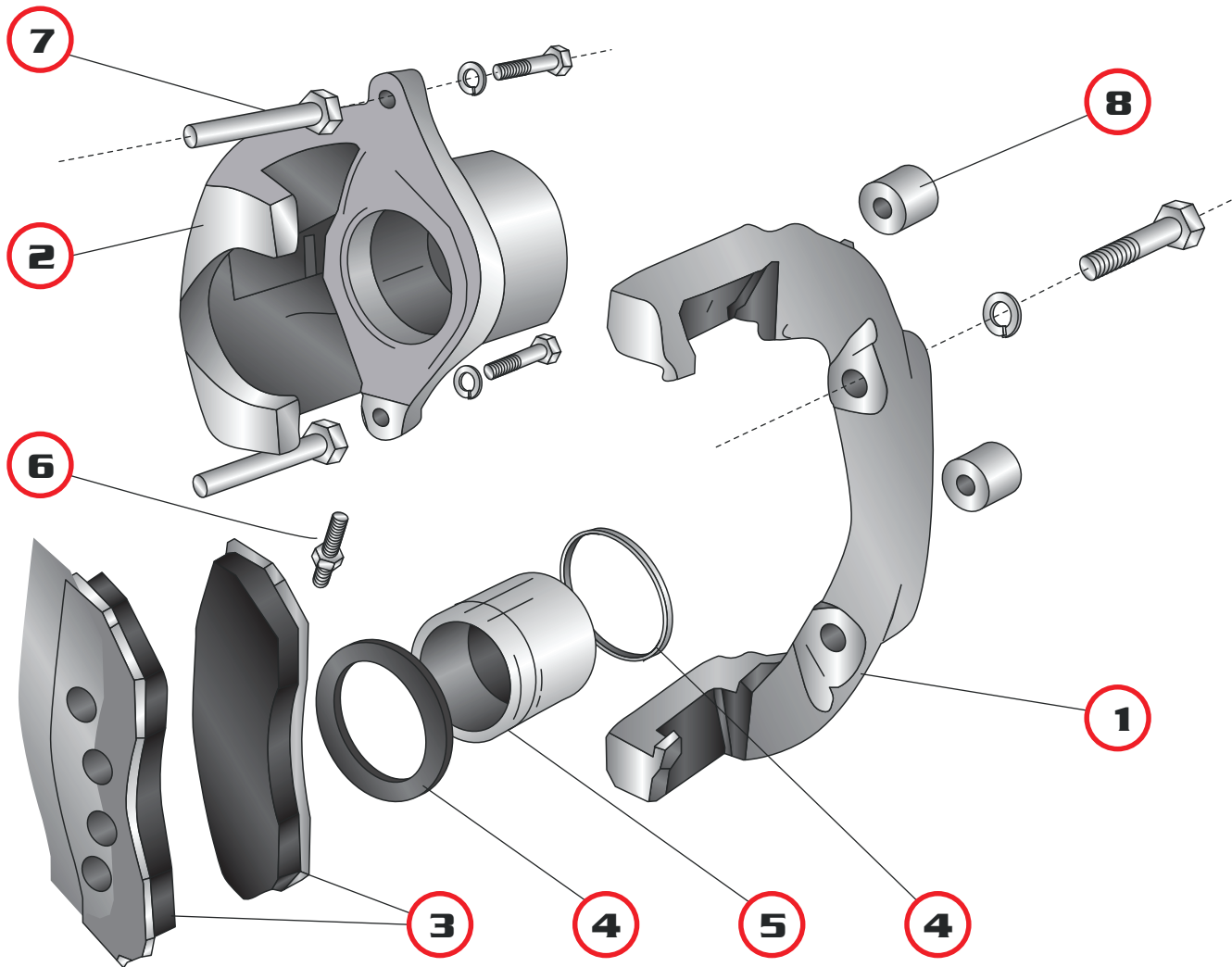
Item:	Part No:	Description:	Notes:
1	T992265	Anchor Plate - Suits 225mm & 260mm dia Rotors used with 1500kg Hubs and 275mm Rotors with 2000kg Hubs	
	OBSOLETE	Anchor Plate - Includes Bushes	For MK2 Conversion
2	T992808	Body - No other components included	
3	TPT10202	Brake Pad Kit - Includes: 4 x non asbestos Pads	Mild Steel Backing Plate
	TPT10203	Brake Pad Kit - Includes: 4 x non asbestos Pads	Stainless Steel Backing Plate
4	TPT1019	Seal Kit - Includes: 1 x Piston Boot, 1 x Piston Seal & 2 x Slide Pin Boots	
5	TPT1125	Piston Kit - Includes: 1 x Piston	Phenolic Piston
	TPT1076	Service Kit - Includes: 2 x Brake Pads, 1 x Piston Boot, 1 x Piston Seal & 2 x Slide Pin Boots	
	TPT1077	Service Kit - Includes: 1 x Piston, 1 x Piston Boot, 1 x Piston Seal, 2 x Slide Pin Boots, 1 x Bleed Screw & 2 x Pins, Bolts/Screws & Washers	
6	TPT1091	Bleed Screw Kit - Includes: 1 x Bleed Screw	3/8" UNF thread
7	TPT1078	Slide Pin Kit - Includes: 2 x Pins, Bolts/Screws & Washers	
8	TPT1075	Slide Pin Boot - Includes: 2 x Boots	
9	TPT1079	Slide Pin Bushes - Includes: 2 x Bushes	Not fitted to early Anchors



Hydraulic Disc Brake Caliper

Current Model - Stainless Steel version

NB: These Calipers are Stainless Steel versions and are available as complete units. Where used for replacing earlier MK2 Calipers, the only difference is the Anchor Plate. Refer to note column below.



Hydraulic Disc Brake Caliper - Current MK6 Model - Stainless Steel Version

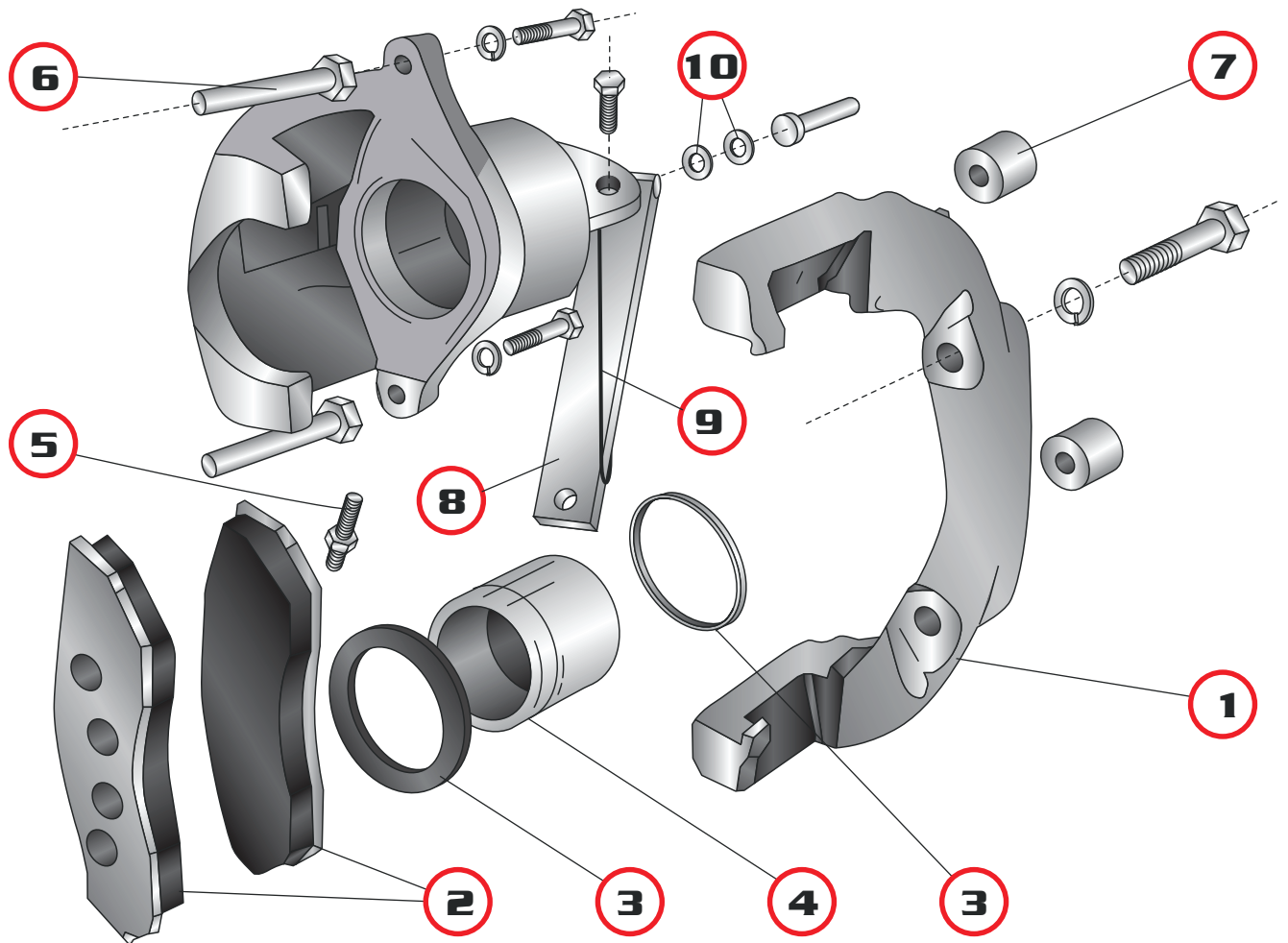
Item:	Part No:	Description:	Notes:
1	T992268	Anchor Plate - Suits 225mm & 260mm dia Rotors used with 1500kg Hubs and 275mm Rotors with 2000kg Hubs	
	OBSOLETE OBSOLETE	Anchor Plate - Suits 260mm dia Rotors used with 2000kg Hubs only Anchor Plate - Stainless Steel	For MK2 Conversion
2	OBSOLETE	Body - No other components included	
3	TPT10203	Brake Pad Kit - Includes 4 x non asbestos Pads with S/S Backing	Stainless Steel Backing
4	TPT1019	Seal Kit - Includes: 1 x Piston Boot, 1 x Piston Seal & 2 x Slide Pin Boots	
5	TPT1125	Piston Kit - Includes 1 x Piston	Phenolic Piston
	TPT1076	Service Kit - Includes: 2 x Brake Pads, 1 x Piston Boot, 1 x Piston Seal & 2 x Slide Pin Boots	
	TPT1077	Service Kit - Includes: 1 x Piston, 1 x Piston Boot, 1 x Piston Seal, 2 x Slide Pin Boots, 1 x Bleed Screw & 2 x Pins, Bolts/Screws & Washers	
6	TPT1091	Bleed Screw Kit - Includes 1 x Bleed Screw	3/8" UNF thread
7	TPT1078	Slide Pin Kit - Includes: 2 x Pins, Bolts/Screws & Washers	
8	TPT1075	Slide Pin Boot Kit - Includes 2 x Boots	





Hydraulic Mechanical Brake Caliper

[Obsolete Model]

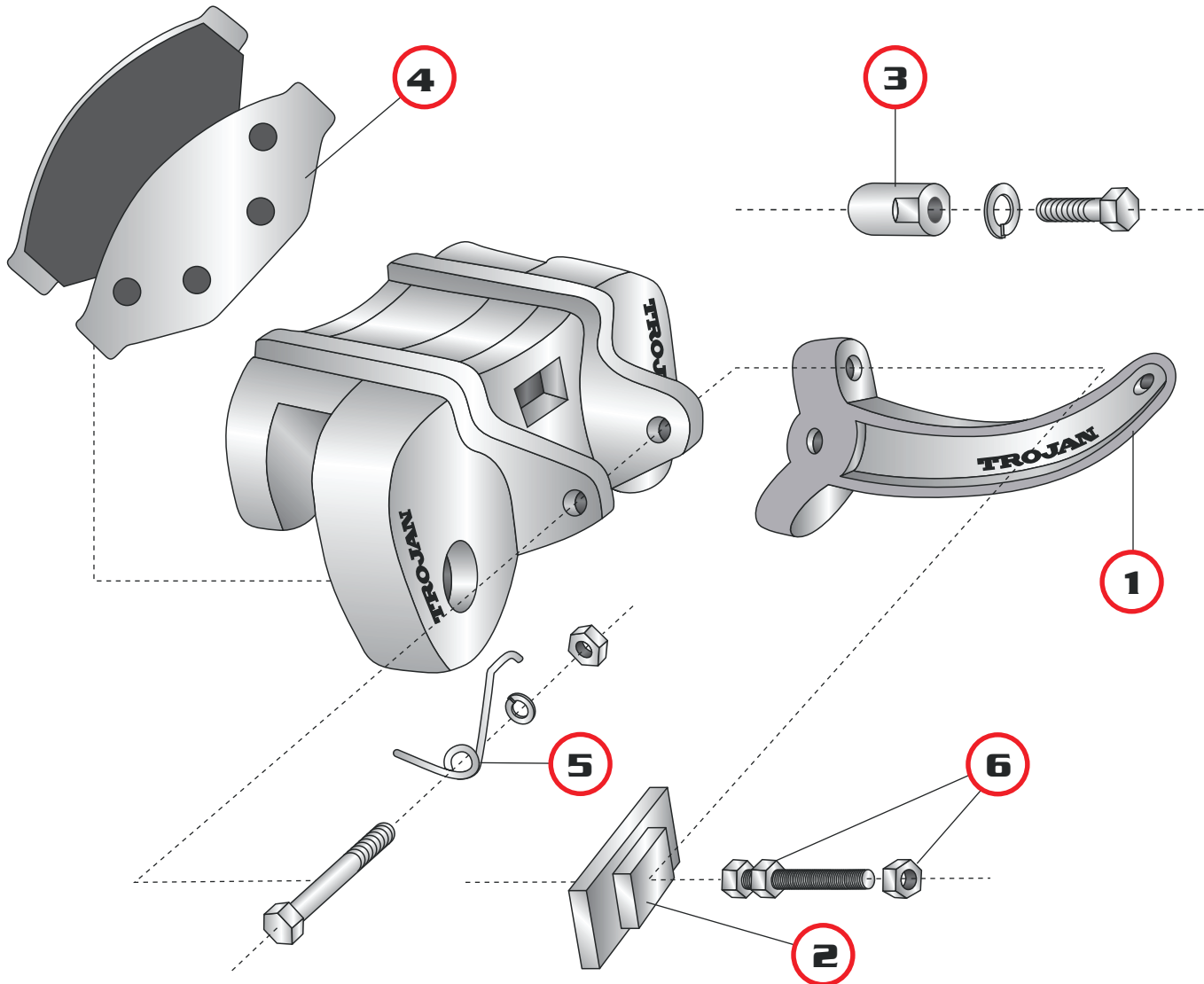


Hydraulic Disc Brake Caliper - MK6 Model - Stainless Steel Version			
Item:	Part No:	Description:	Notes:
1	T992268	Anchor Plate - Suits 225mm & 260mm dia Rotors used with 1500kg Hubs and 275mm Rotors with 2000kg Hubs	
	OBSOLETE	Anchor Plate - Suits 260mm dia Rotors used with 2000kg Hubs only	
2	TPT10203	Brake Pad Kit - Includes: 4 x non asbestos Pads with SS backing	Stainless Steel Backing
3	TPT1019	Seal Kit - Includes: 1 x Piston Boot, 1 x Piston Seal & 2 x Slide Pin Boots	
	TPT1125	Piston Kit - Includes: 1 x Piston	Phenolic Piston
4	TPT1076	Service Kit - Includes: 2 x Brake Pads, 1 x Piston Boot, 1 x Piston Seal & 2 x Slide Pin Boots	
	TPT1077	Service Kit - Includes: 1 x Piston, 1 x Piston Boot, 1 x Piston Seal, 2 x Slide Pin Boots, 1 x Bleed Screw & 2 x Pins, Bolts/Screws & Washers	
5	TPT1091	Bleed Screw Kit - Includes: 1 x 3/8" UNF Bleed Screw	3/8" UNF thread
6	TPT1078	Slide Pin Kit - Includes: 2 x Pins, Nuts & Washers	Replaces Female type
7	TPT1075	Slide Pin Boot Kit - Includes: 2 x Boots	
8	T748240	Lever - Suits both forward & centre pull applications	
	T748230	Spring for Lever - For centre pull	
9	OBSOLETE	Spring for Lever - For forward pull	
	TQ11200	Seal for Push Rod - 2 required.	
10			



Mechanical Disc Brake Caliper

[Obsolete Model]



Mechanical Disc Brake Caliper - MK3 Model

Item:	Part No:	Description:	Notes:
1	OBSOLETE	Lever - Includes Adjusting Bolt	Forward Pull
	OBSOLETE	Lever - Includes Adjusting Bolt	Centre Pull
2	OBSOLETE	Pressure Pad	
3	OBSOLETE	Slide Pin Kit - Includes: 1 x Pin, Bush, Screw & Washer	
4	TPT10202	Brake Pad Kit - Includes: 4 x Pads	Retaining Clips obsolete
5	OBSOLETE	Lever Spring	
6	T748111	Adjuster Bolt & Nut	Forward Pull
	OBSOLETE	Adjuster Bolt & Nut	Centre Pull

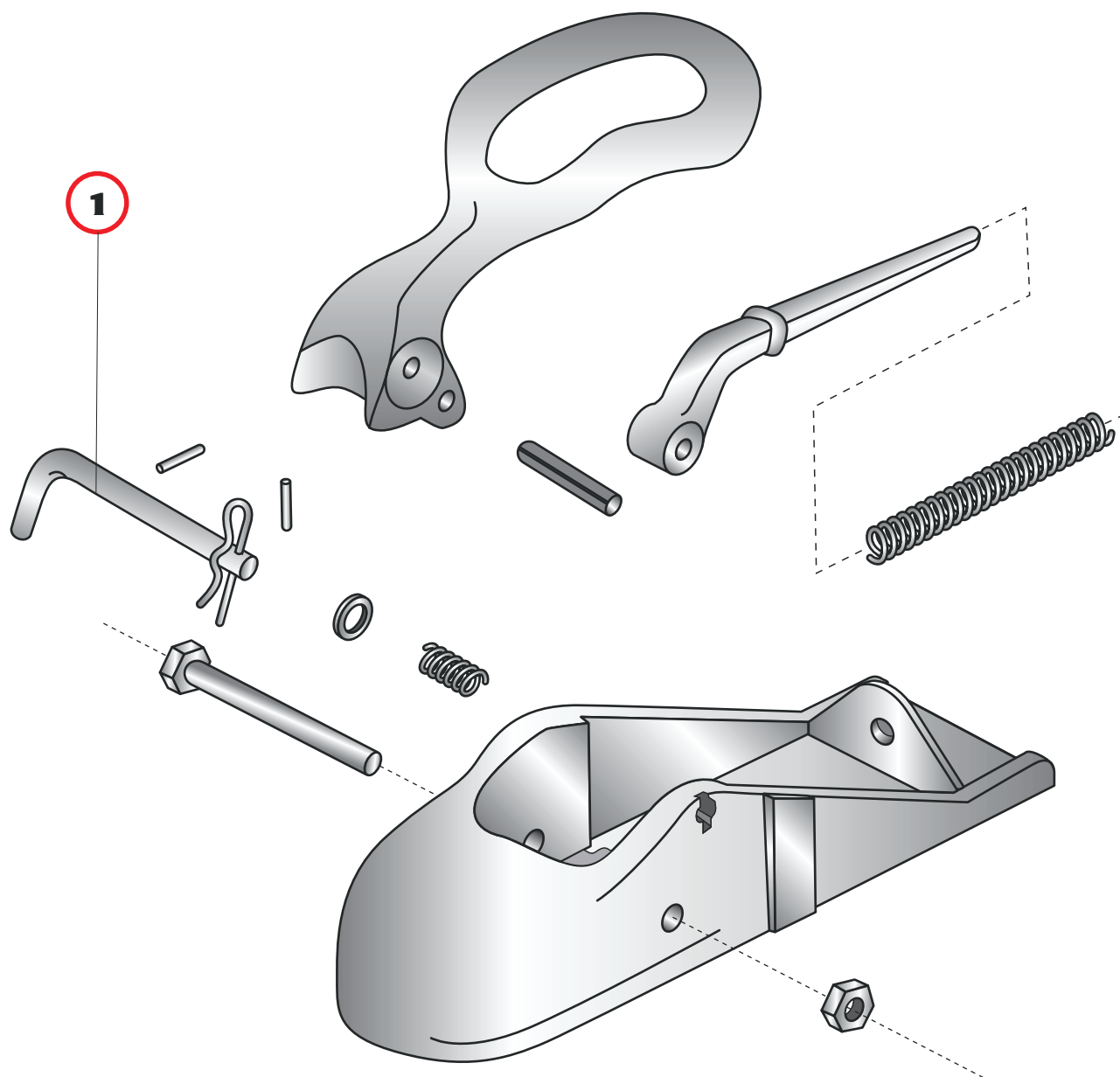




TC30 Coupling

1 7/8" & 50mm Models

NB: Coupling Bodies and Coupling Handles are not available as a spare part as a mis-match may occur. If either of these items are required, a new Coupling will need to be purchased.



TC30 Coupling 1 7/8" & 50mm Models

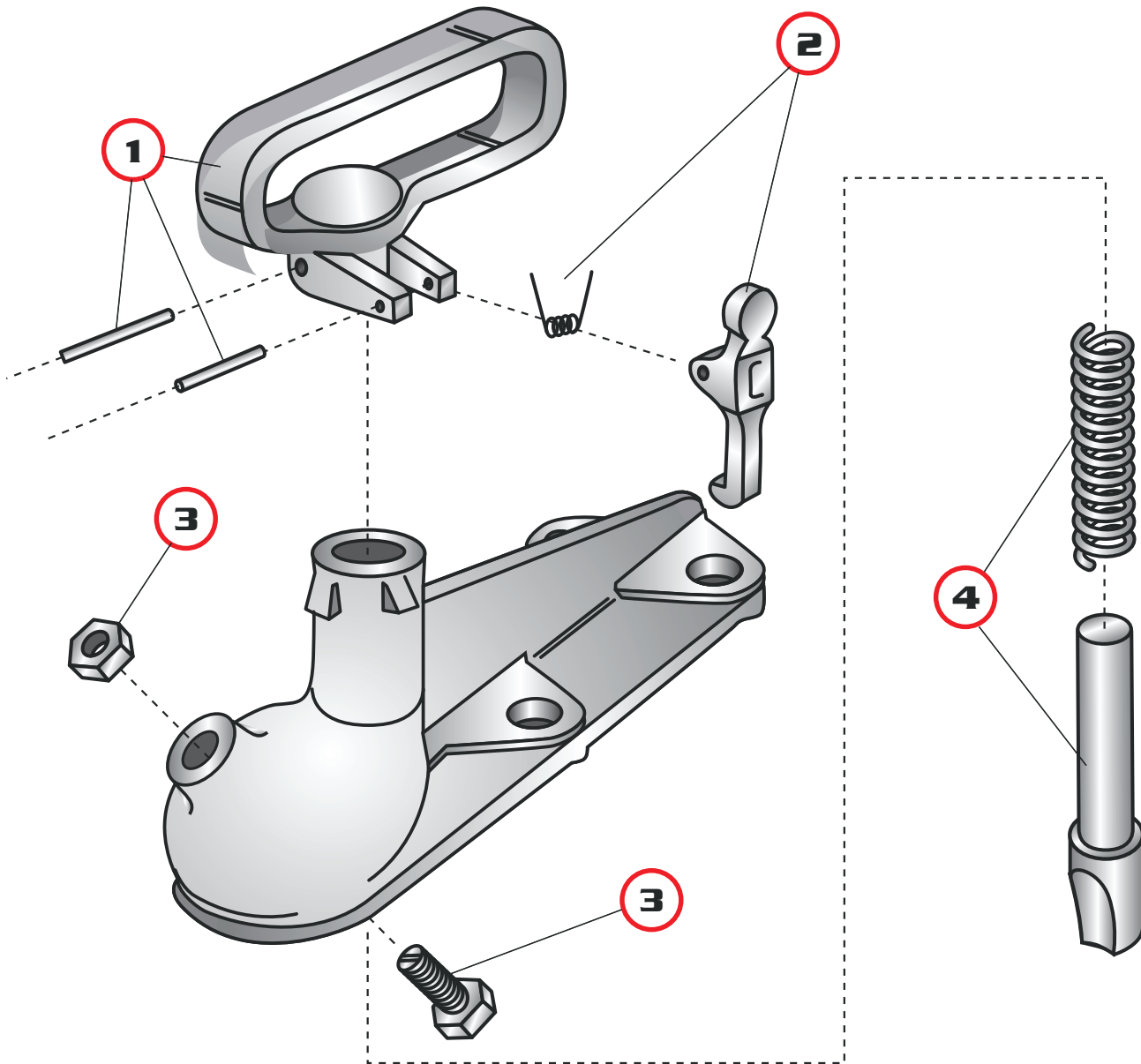
Item:	Part No:	Description:	Notes:
1	TPT1025	Lock Pin Assembly	



Non Braked Coupling

2000kg & 2500kg

NB: Both early versions of 1 7/8" and 50mm Couplings have been replaced with the Duo-Fit version. Some components can not be interchanged. These spare parts suit Pre-2013 models.



Non Braked Coupling - 2000kg & 2500kg Version

Item:	Part No:	Description:	Notes:
1	TPT1305	Handle Assembly - Includes items 1 & 2	Suits Duo Fit & Non Duo Fit pre-2013
2	TPT1029	Trigger Assembly - Includes item 2	Suits all Couplings Pre-2013
3	TPT1027	Anti Rattle Screw & Nut - 1/2" WW	Suits Very Early Couplings.
	TPT1028	Anti Rattle Screw & Nut - 16mm X 1.75	Suits all Later Couplings Including Duo Fit.
4	OBSOLETE	Lock Pin & Spring	Suits 1 7/8" - Non Duo Fit.
	OBSOLETE	Lock Pin & Spring	Suits 50mm - Non Duo Fit .
	PT1306	Lock Pin & Spring	Suits DuoFit Coupling

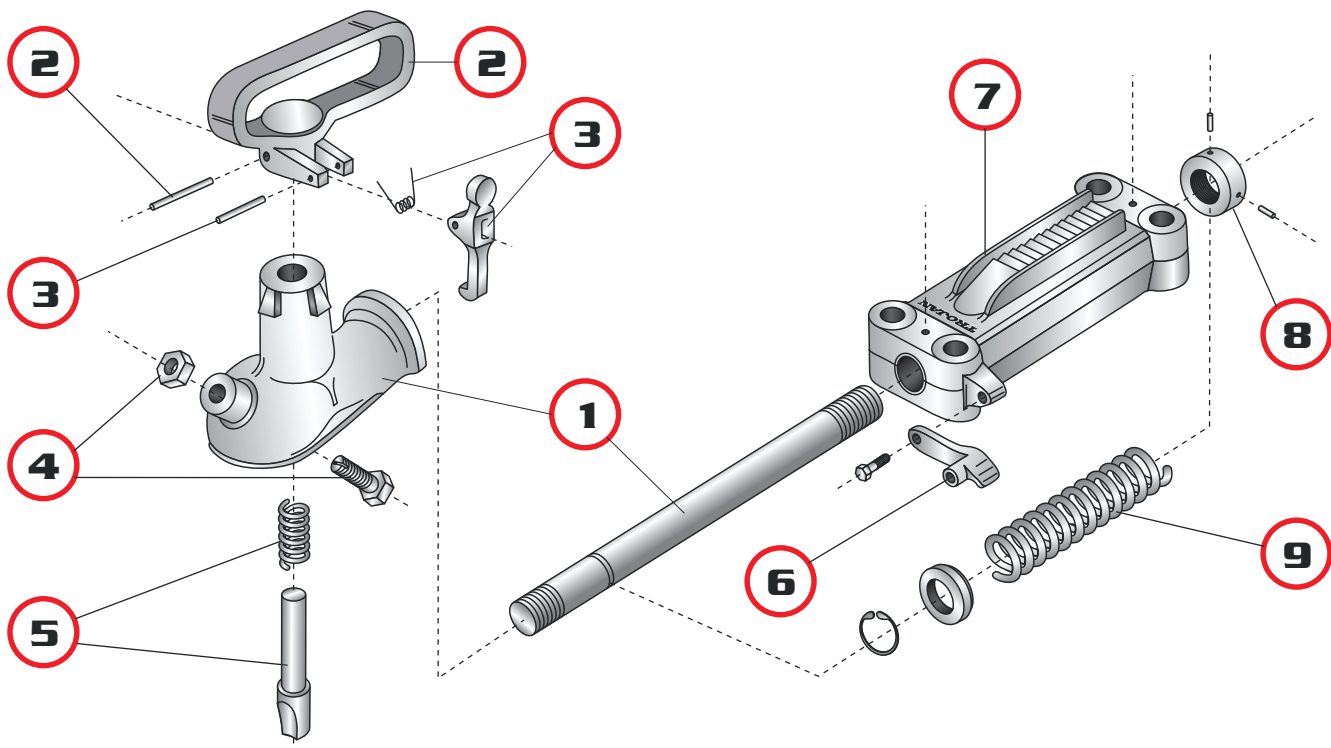




2000kg & 2500kg Spring Dampened Override Coupling

Hydraulic & Mechanical Operation

NB: Heads and Mainshafts are not available as separate components. The Mainshaft on early couplings was 1 1/4" dia over its full length and the Spring was retained with a Washer and Circlip. Later models had a "Stepped Shaft" being 1 1/2" dia where the Shaft meets the Head. Later models have the Head and Shaft cast as one piece. Current model [not shown] is from 2013 on.

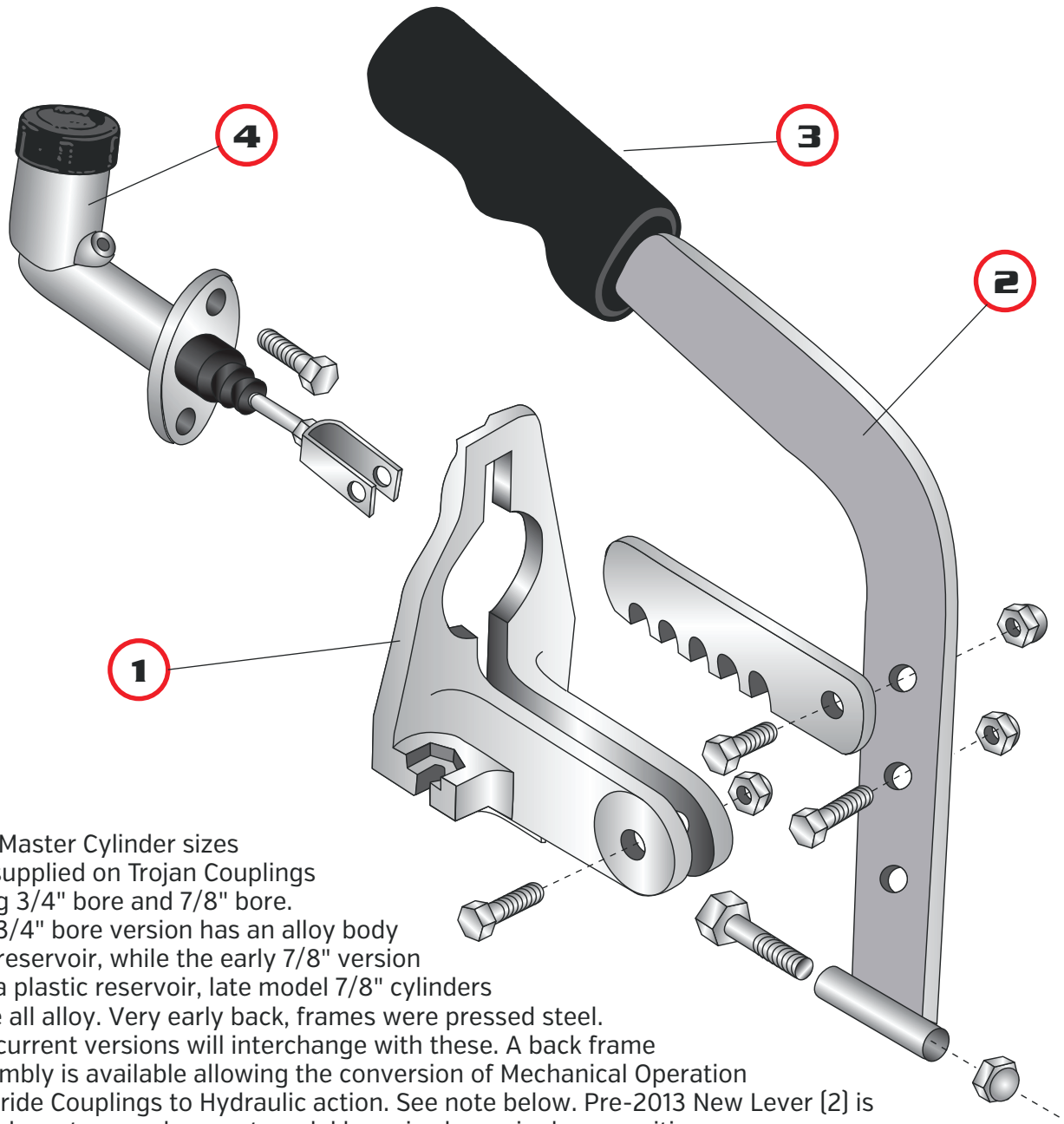


2000kg & 2500kg Spring Dampened Override Coupling- Hydraulic & Mechanical Operation			
Item:	Part No:	Description:	Notes:
1	OBSOLETE	Head & Shaft Assembly - Includes items 1 & 4	Duo Fit -Pre-2013
	OBSOLETE	Head, Shaft & Handle Assembly - Includes items 1,2,3,4,5	Duo Fit -Pre-2013
2	TPT1305	Handle Assembly Kit - Includes items 2 & 3	Duo Fit -Pre-2013
3	TPT1029	Trigger Assembly Kit - Includes item 3	All Models- Pre-2013
4	TPT1027	Anti Rattle Screw & Nut Kit - 1/2" WW	Very Early Models
	TPT1028	Anti Rattle Screw & Nut Kit - 16mm X 1.75	Late Models
5	OBSOLETE	Lock Pin & Spring Kit - 1 7/8" Ball	Early non Duo fit
	OBSOLETE	Lock Pin & Spring Kit - 50mm Ball	Early non Duo fit
	TPT1306	Lock Pin & Spring Kit	Duo Fit - Pre-2013
6	TPT1036	Reverse Lock Kit	All Models- Pre-2013
7	OBSOLETE	Body - No Ratchet Teeth - For Stepped Shaft	All Hydraulic Models Pre-2013
	OBSOLETE	Body - With Ratchet Teeth - For Stepped Shaft	All Mechanical Models Pre-2013
8	OBSOLETE	Collar & Screws	All Models- Pre-2013
9	TPT1069	Spring - Standard Duty	All Models- Pre-2013
	OBSOLETE	Spring - Light Duty	All Models- Pre-2013



Hydraulic Back Frame Assembly

2000kg & 2500kg Spring Dampened Override Coupling



NB:

Two Master Cylinder sizes are supplied on Trojan Couplings being 3/4" bore and 7/8" bore. The 3/4" bore version has an alloy body and reservoir, while the early 7/8" version has a plastic reservoir, late model 7/8" cylinders were all alloy. Very early back frames were pressed steel. The current versions will interchange with these. A back frame assembly is available allowing the conversion of Mechanical Operation Override Couplings to Hydraulic action. See note below. Pre-2013 New Lever [2] is fold-down type and current model lever is always in down position

Hydraulic Back Frame Assembly - 2000kg & 2500kg Spring Dampened Override Coupling			
Item:	Part No:	Description:	Notes:
1	OBSOLETE	Back Frame Only	All
	T993055	Back Frame Assembly - Includes Lever & Hydraulic Cylinder	3/4" Cylinder- Current model
	T993052	Back Frame Assembly - Includes Lever & Hydraulic Cylinder	7/8" Cylinder- Current model
2	T993082	Lever Assembly - Includes Pawl (Fold-down type)	Pre-2013
3	T511004	Plastic Grip	Pre-2013
4	TPT10391	Master Cylinder Assembly	3/4" Cylinder
	TPT10392	Master Cylinder Assembly	7/8" Cylinder

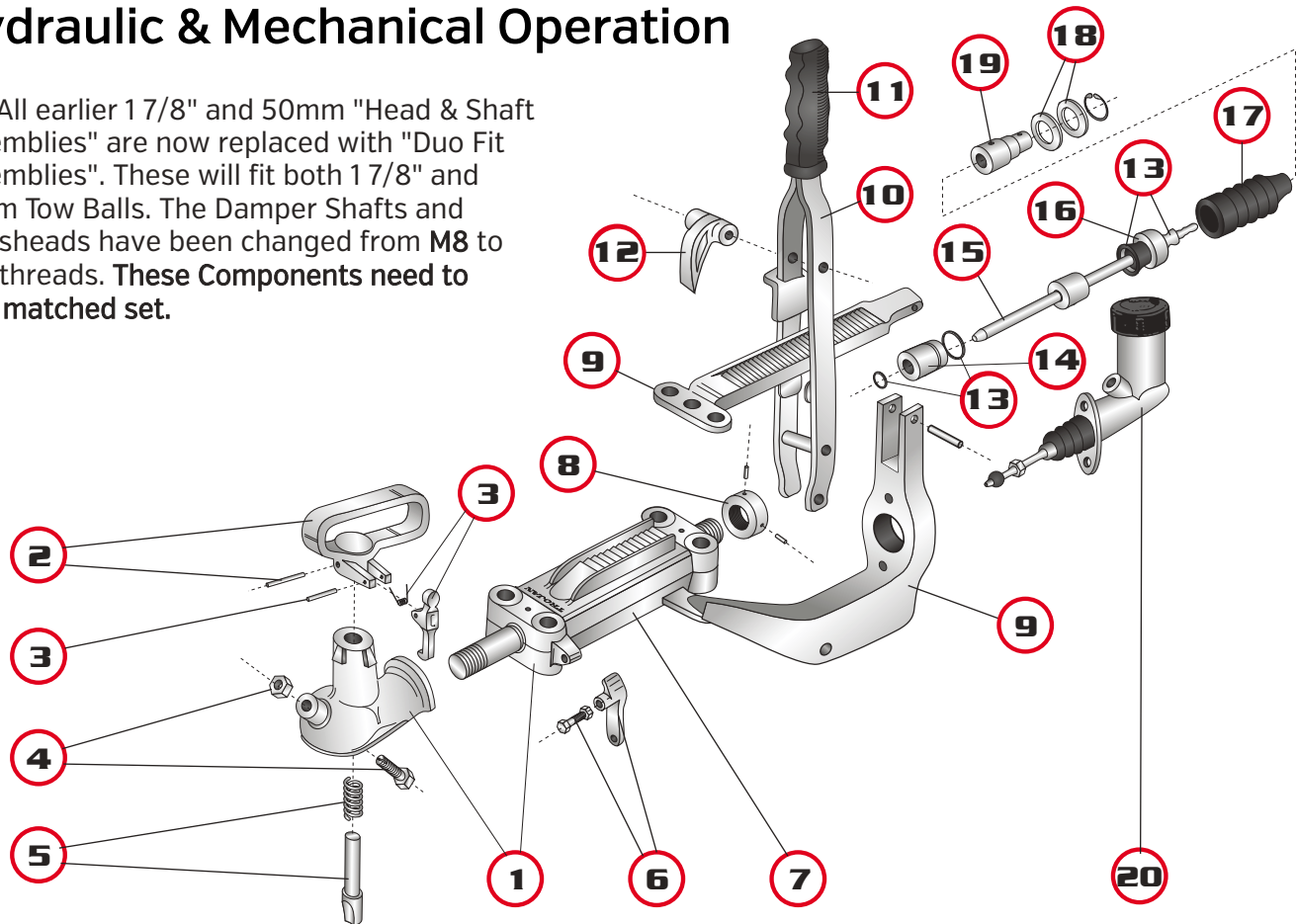




2000kg & 2500kg Hydraulic Dampened Override Coupling

Hydraulic & Mechanical Operation

NB: All earlier 1 7/8" and 50mm "Head & Shaft Assemblies" are now replaced with "Duo Fit Assemblies". These will fit both 1 7/8" and 50mm Tow Balls. The Damper Shafts and Crossheads have been changed from M8 to M10 threads. These Components need to be a matched set.



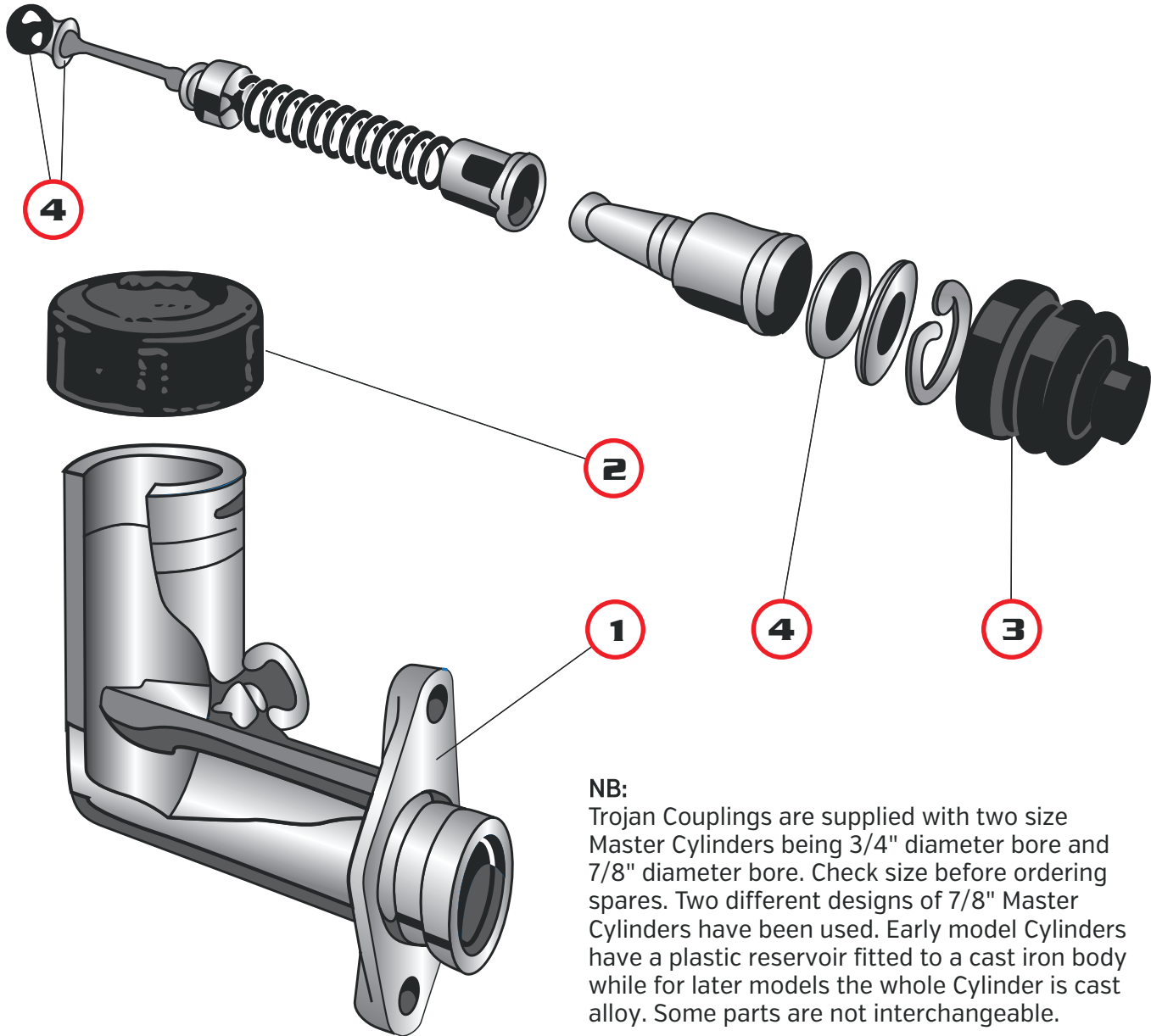
2000kg & 2500kg Hydraulic Dampened Override Coupling

Item:	Part No:	Description:	Notes:
1	T993121	Head & Mainshaft Assembly - Includes items: 1 & 4	Duo Fit
	T993123	Head, Mainshaft & Handle Assembly - Includes items: 1,2,3,4 & 5	Duo Fit
	T993125	Head, Mainshaft, Handle & Damper Assembly - Includes items: 1,2,3,4,5 & 8	Duo Fit
2	TPT1305	Handle Assembly Kit - Includes items: 2 & 3	All Models
3	TPT1029	Trigger Assembly Kit - Includes item: 3	All Models
4	TPT1027	Anti Rattle Screw & Nut Kit - 1/2" WW Thread	Early Models
	TPT1028	Anti Rattle Screw & Nut Kit - 16mm X 1.75 Thread	All Late Models
5	OBSOLETE	Lock Pin & Spring Kit - To Suit 1 7/8" Ball - Non Duo Fit	Early Models
	OBSOLETE	Lock Pin & Spring Kit - To Suit 50mm Ball - Non Duo Fit	Early Models
	TPT1306	Lock Pin & Spring Kit - To Suit Duo Fit	Late Model
6	TPT1032	Reverse Lock Kit	All Models
7	T993021	Body Only	All Models
8	TPT1061	Collar & Screws	All Models
9	TR93946	Rear Frame, Rack & Handle Assembly - Includes items: 9,10,11,12 & 13	All Models
10	TPT1034	Park Brake Assembly - Includes items: 10,11,12 & 13	All Models
11	T511004	Plastic Grip	All Models
12	TPT1035	Park Brake Pawl & Bolt	All Models
13	TPT10571	Damper Seal Kit - Includes all Seals	All Models
14	TPT1055	Gland Inner - Includes Seal	All Models
15	T993027	HTC Damper Cartridge - Complete internal replacement	All Models
	OBSOLETE	Damper Kit - M10 Thread - Includes items: 14,15,16 & 17	All Models
16	TPT1085	Gland Outer - Includes Seal	All Models
17	TPT1033	Damper Boot	All Models
18	TPT1051	Cross Head & Circlip Kit	All Models
19	OBSOLETE	Cross Head Kit - M8 Thread	Early Model
	TPT10631	Cross Head Kit - M10 Thread	Late Model
20	TPT10391	Master Cylinder Assembly - Refer Page 123 for parts	All Models



Trojan Hydraulic Master Cylinders

Fitted To All Trojan Hydraulic Override Couplings



NB:

Trojan Couplings are supplied with two size Master Cylinders being 3/4" diameter bore and 7/8" diameter bore. Check size before ordering spares. Two different designs of 7/8" Master Cylinders have been used. Early model Cylinders have a plastic reservoir fitted to a cast iron body while for later models the whole Cylinder is cast alloy. Some parts are not interchangeable.

Hydraulic Master Cylinders

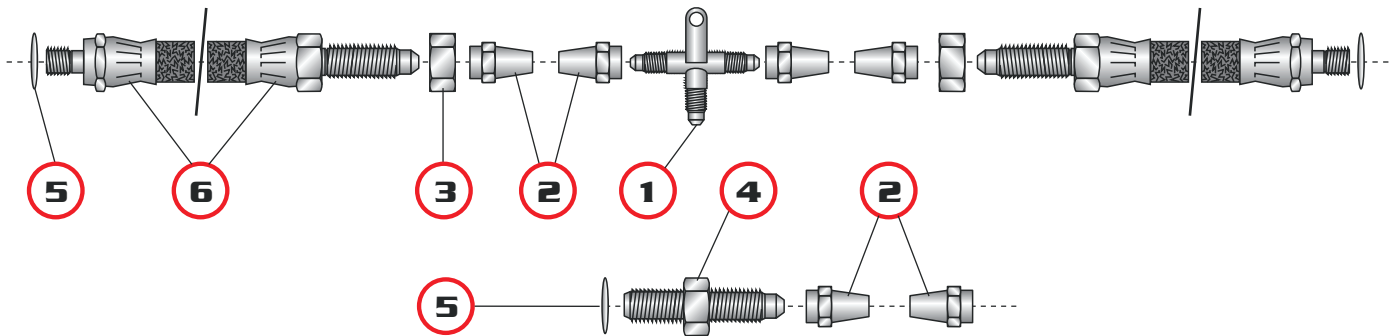
Item:	Part No:	Description:
1	TPT10391	3/4" Bore Master Cylinder assembly
	TPT10392	7/8" Bore Master Cylinder assembly
2	TPT1040	Cap to suit 3/4" Cylinder
	TPT10402	Cap to suit 7/8" Cylinder - Fits both early and late models
3	TPT1080	Boot to suit 3/4" Cylinder
	TPT1033	Boot to suit 7/8" Alloy Cylinder
4	OBSOLETE	Seal Kit to suit 3/4" Cylinder - Piston not included
	OBSOLETE	Seal Kit to suit 7/8" Cylinder - Plastic reservoir model - Piston not included
	OBSOLETE	Overhaul Kit to suit 7/8" Alloy Cylinder - Includes Piston
Not Illustrated	TPT1088	Push Rod to suit 3/4" Cylinder
Not Illustrated	TPT1087	Push Rod to suit HTC Coupling with 3/4" Cylinder
Not Illustrated	OBSOLETE	Reservoir to suit all early model 7/8" Cylinder





Disc Brake Hoses & Fittings

NB: Trojan Brake Hoses are available in standard rubber or sheathed in stainless steel with stainless fittings. These Hoses are interchangeable. The Olive and Tube Nut previously used to connect the Brake Pipe to the Master Cylinder has now been replaced with an adaptor and Flare Nut. Refer to item 4.

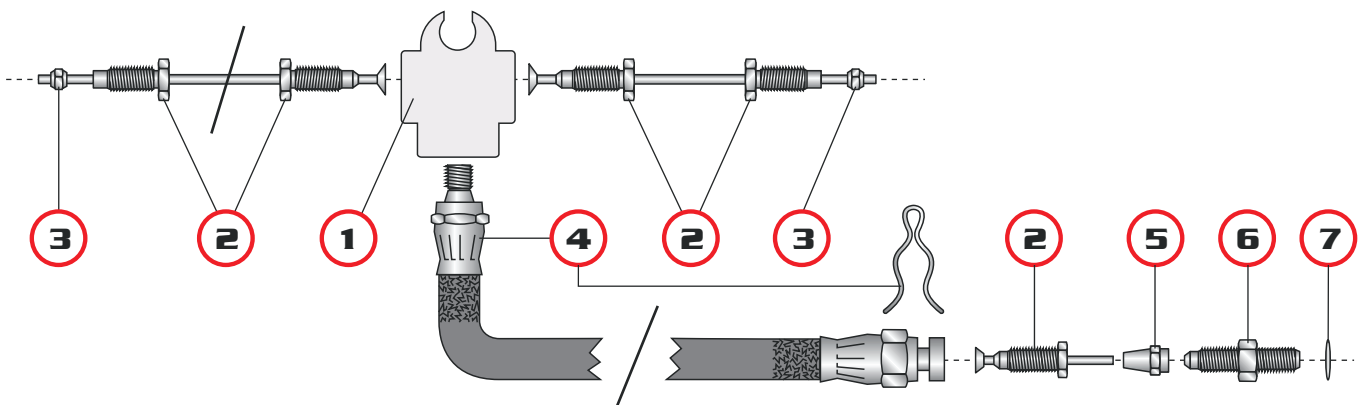


Disc Brake Hoses & Fittings

Item:	Part No:	Description:	Notes:
1	T593659	Brass Tee Fitting	3/8" UNF
2	T993065	Brass Flare Nut	3/8" UNF
3	T502564	Half Nut	3/8" UNF
4	TPT1097	Adaptor Kit - Includes: Adaptor, Flare Unit & Washer	3/8" UNF
5	T502465	Copper Washer	
6	TPT1037	Brake Hose - Includes: 1 x Hose, Flare Unit & Washer	Rubber Hose
	TPT10371	Brake Hose - Includes: 1 x Hose, Flare Unit & Washer	Stainless Steel Hose

Drum Brake Hoses & Fittings

NB: Some early Drum Brakes had metric wheel Cylinder fittings - Refer to item 2. Check type when ordering. The Olive and Tube Nut previously used to connect the Brake Pipe to the Master Cylinder has now been replaced with an Adaptor and Flare Nut - Refer to item 6.



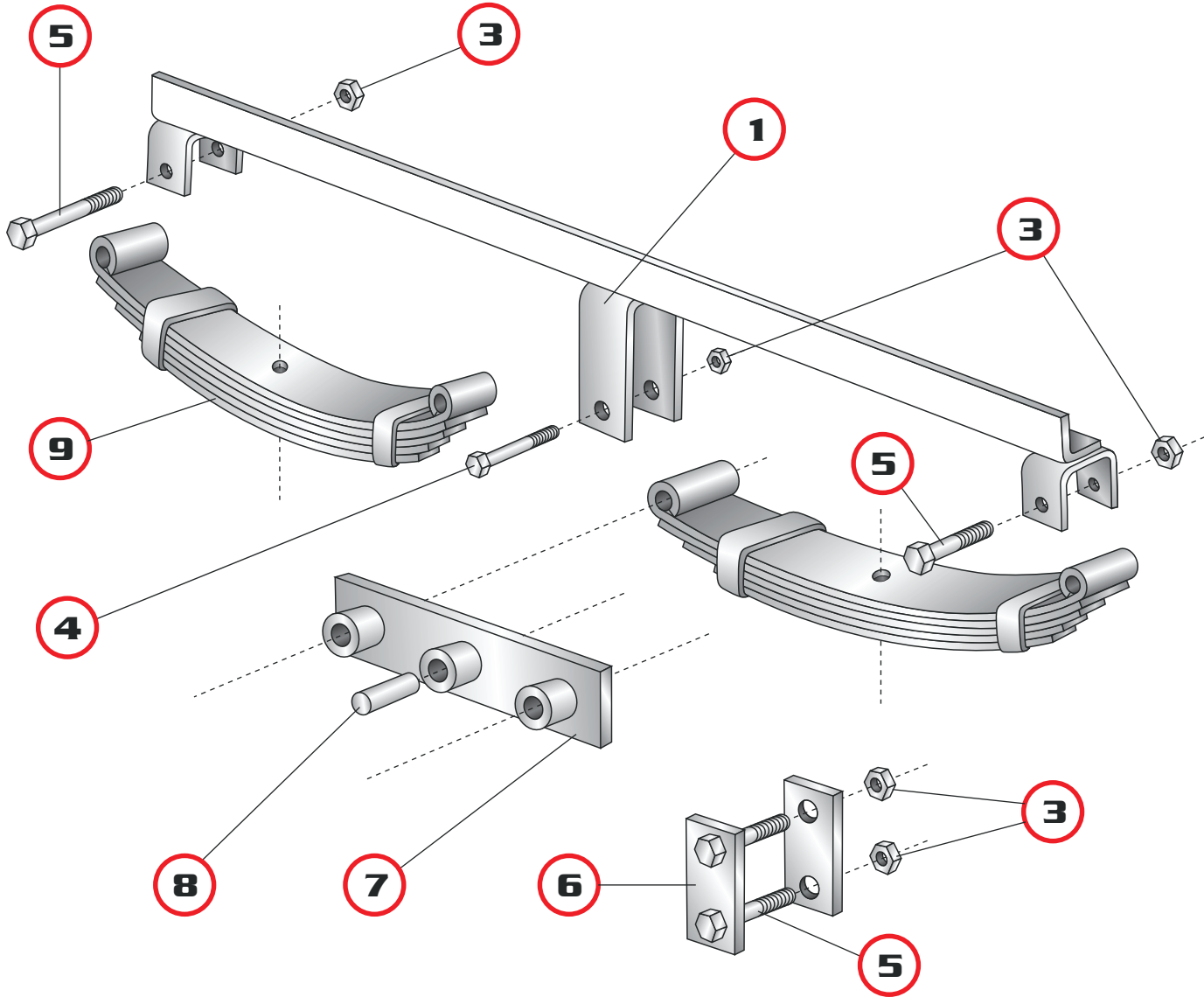
Drum Brake Hoses & Fittings

Item:	Part No:	Description:	Notes:
1	TM70203	Brass Tee Fitting	3/8" UNF
2	TP42850	Tube Nut - Late Version	3/8" UNF
	OBSOLETE	Tube Nut - Early Version	10mm Metric
3	T593658	Olive	3/16"
4	TH55000	Brake Hose - Male & Female ends	3/8" UNF
5	T993065	Flare Nut	3/8" UNF
6	TPT1097	Adaptor Kit - Includes: Adaptor, Flare Nut & Washer	3/8" UNF
7	T502465	Copper Washer	



Tandem Spring Suspension

NB: These Suspensions are supplied in two capacities being 2500kg and 3500kg. The only difference is the number of Spring Leaves. Very early versions had a slightly different Spring length, so advise the "Eye to Eye" measurement when ordering.



Tandem Spring Suspension

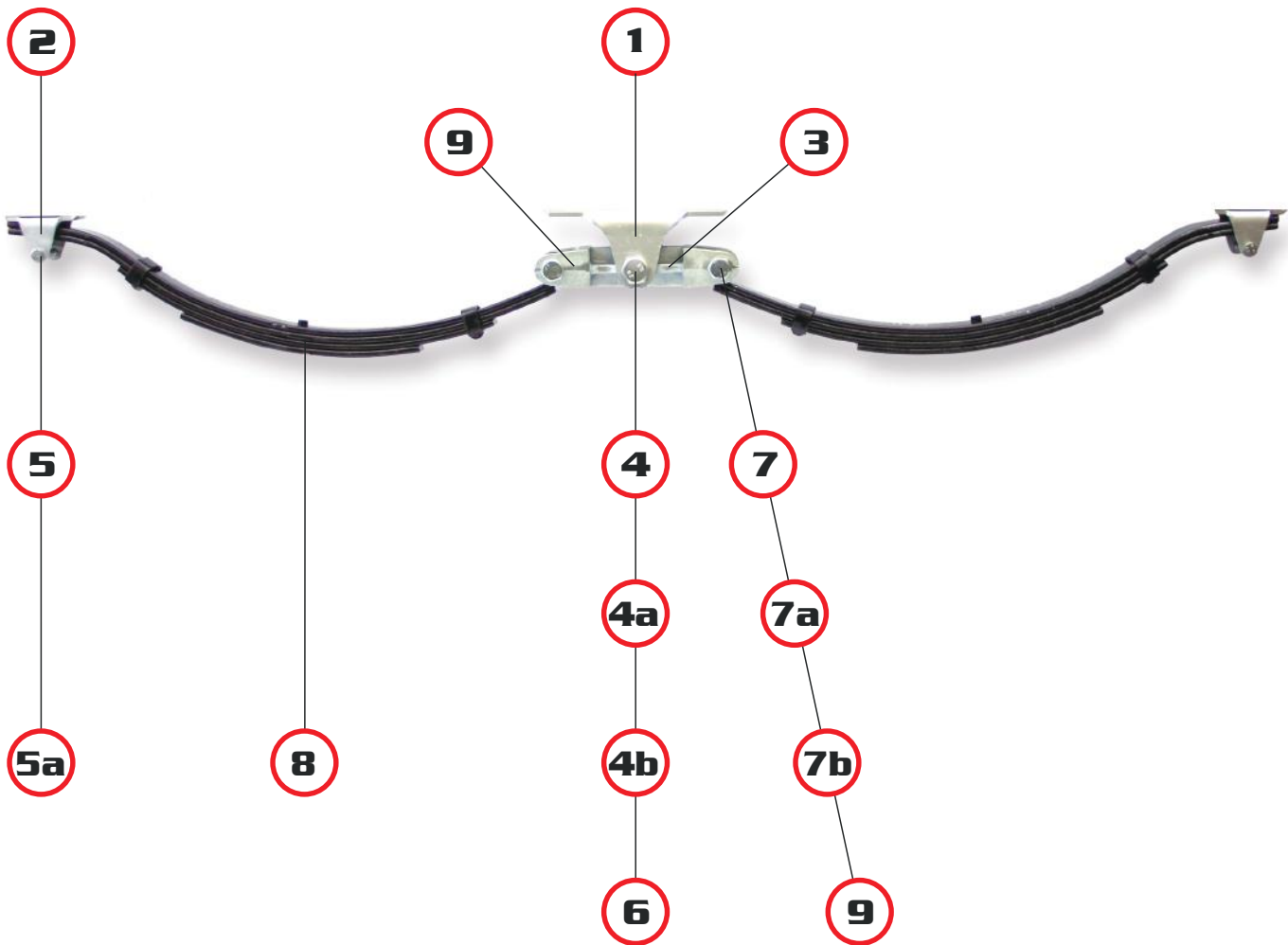
Item:	Part No:	Description:	Notes:
1	T869700	Centre Hanger	1 - per side
2	TR86050	Spring Hangers	2 - per side
3	TR8608A	Shackle Nut - M16	7 - per side
4	T812711	Centre Shackle Bolt - M16 x 100mm	1 - per side
5	T812713	Shackle Bolts - M16 x 90mm	6 - per side
6	T871400G	Link Plates	4 - per side
7	T276010	Equalizer Bar - Includes Bushes	1 - per side
8	T871200	Bushes - Suit Springs & Equalizer	7 - per side
9	T260050D1	Spring - 5 Leaf - 610mm - Eye to Eye	2 - per side- Sold as pair
	T260060D	Spring - 6 Leaf - 610mm - Eye to Eye	2 - per side- Sold as Pair
Not Illust.	T274009	Lock Tab Kit - Includes Tabs for both sides	





Tandem Slipper Suspension

NB: These Suspensions are available in three capacities being 2200kg, 3000kg and 3500kg. All components except the springs are the same.



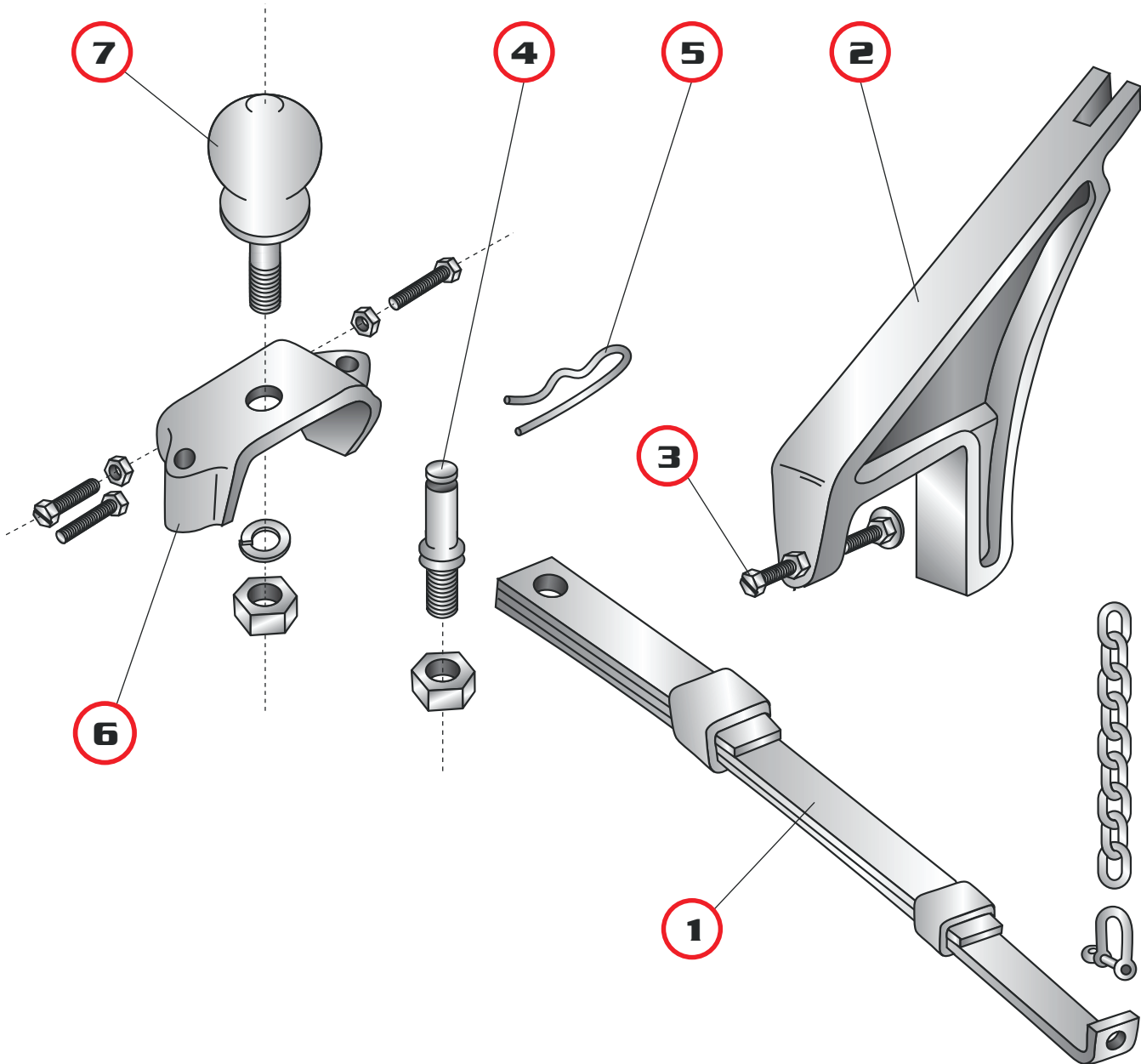
Tandem Slipper Suspension

Item:	Part No:	Description:	Notes:
1	T812760	Centre Hanger	1 per side
2	T812765	Spring Slipper	2 per side
3	T812768	Rocker Bar	Includes Bushes 1 per side
4	T812715	Rocker Bolt	M20 x 120mm HT 1 per side
4a	T812720	Rocker Bolt Nut	M20 Nylock 1 per side
4b	T812420	Tab Washer	For Rocker Bolt 1 per side
5	T812704	Slipper Bolt	M8 x 70mm 2 per side
5a	T501793	Slipper Bolt Nut	M8 Nylock 2 per side
6	TS213M0	Rocker Bush	20mm 2 per side
7	T812711	Shackle Bolt	M16 x 95mm HT 2 per side
7a	TR8608A	Shackle Bolt Nut	M16 Nylock 2 per side
7b	T812416	Tab Washer	2 per side
8	T260070D	Spring - 3 leaf	Suit 2200kg version 2 per side- <i>Sold as pair</i>
	T260073D	Spring - 4 leaf	Suit 3000kg version 2 per side- <i>Sold as Pair</i>
	T260075D	Spring - 5 leaf	Suit 3500kg version 2 per side- <i>Sold as Pair</i>
9	T871900	Spring Eye Bush	2 per side



Load Leveller

NB: Advise Towball diameter and Shank diameter when ordering Tow Ball



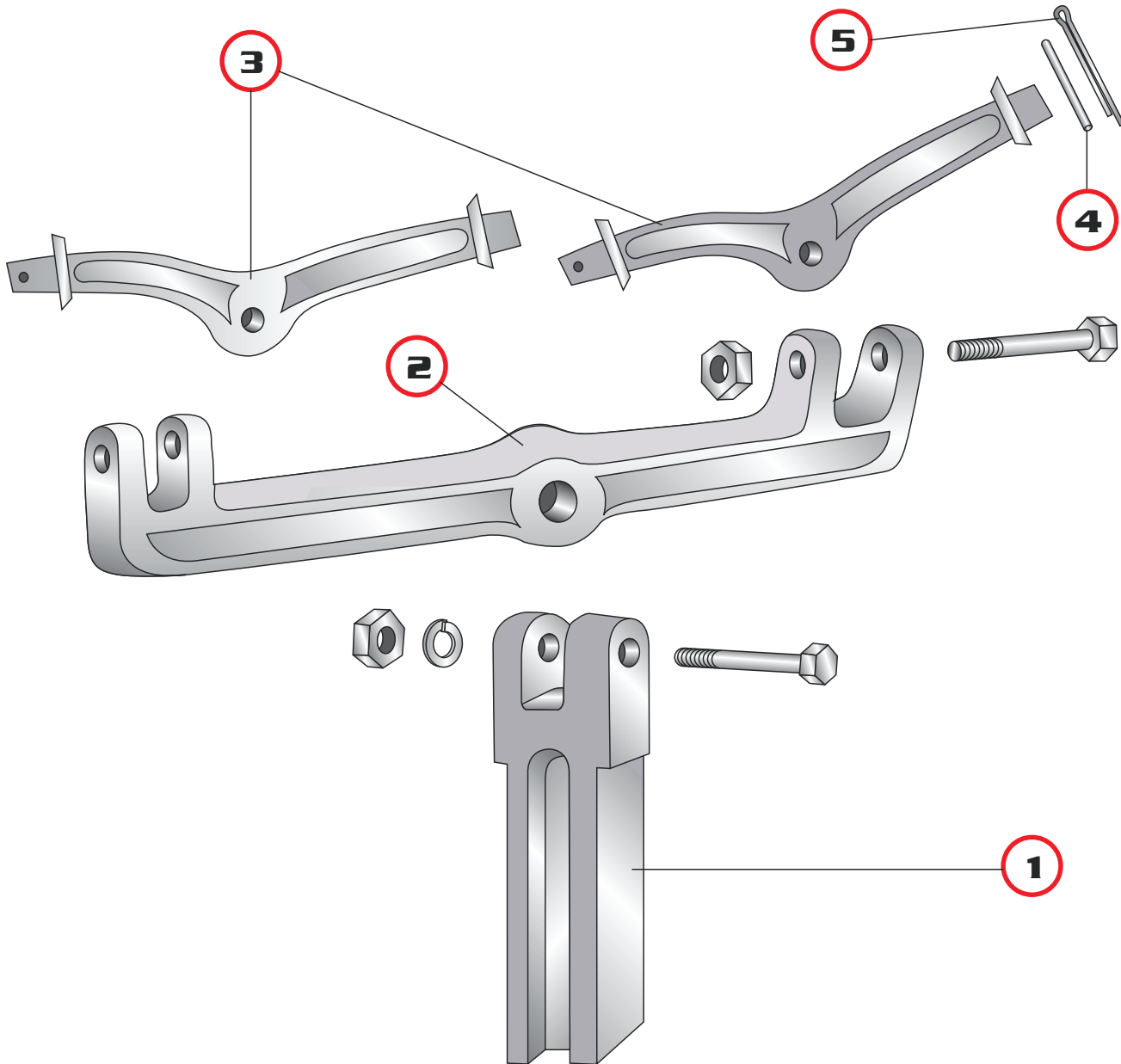
Load Leveller			
Item:	Part No:	Description:	Notes:
1	T593230	Spring Assembly - Includes: 1 x Spring, Pivot Pin, Clip, Chain & Shackle	Supplied as Assembly
2	T993093	Chassis Bracket - Includes: 1 x Bracket, Lock Bolt, Nut & Pad	Supplied as Assembly
3	OBSOLETE	Locking Bolt Kit - Includes: 1 x Lock Bolt, Nut & Pad	Supplied as Assembly
4	OBSOLETE	Pivot Pin Kit - Includes: 1 x Pivot Pin & R Clip	
5	TPT1050	R Clip Kit - Includes: 4 x R Clips	
6	T993112	Tow Bar Bracket - Includes: 1 x Bracket, 2 x Lock Bolts & Nuts	Suit 7/8" dia Shank Ball
7	T541024	Tow Ball - 1 7/8" dia Ball, 3/4" dia Shank, 60mm long	
	T541026	Tow Ball - 50mm dia Ball, 7/8" dia Shank, 60mm long	





Wobble Roller Assembly Spares

For Both Dual & Quad Versions

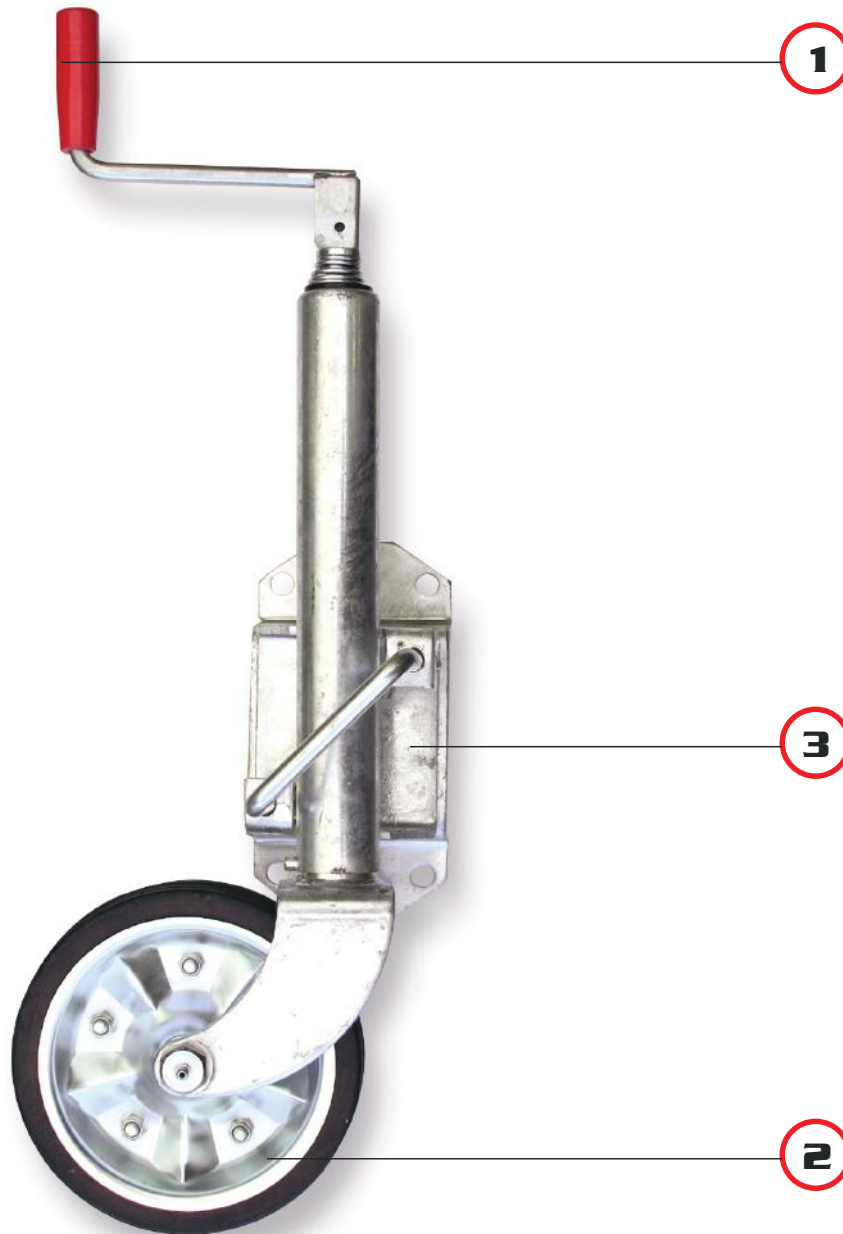


Wobble Roller Assembly Spares - For Both Dual & Quad Versions

Item:	Part No:	Description:	Notes:
1	T962010	Mounting Led - Suits both Dual & Quad models	
2	T962025	Connector Arm - For Quad models only	Not used on Dual
3	T962005	Roller Arm - For Dual models only	Suits M10 Bolt
4	T962015	Roller Arm - For Quad models only	Suits M8 Bolt
5	T594056	Washer - Suits both Dual & Quad models	
6	T748155	Split Pin - Suits both Dual & Quad models	M4 x 32mm Stainless



Jockey Wheel Spare Parts



Jockey Wheel Spare Parts

Item:	Part No:	Description	Notes:
1	T644102	Handle Assembly	Suits current T303108/118
	T647004	Handle Assembly - 12mm dia hole	Suits all current T306 Series
	T644104	Handle Assembly	Suits current T303105/107/109/115/120
2	T629600	Wheel 6" dia - Solid rubber	Suits T303 & T306 Series
	T644109	Wheel 250mm x 50mm - Steel Wheel with Solid Tyre	Suits T305107 & T303109
	T644107	Wheel & Tyre Assembly 350mm x 4mm - Pneumatic	Suits T303115
	T629595	Wheel & Tyre Assembly 350mm x 4mm - Pneumatic	Suits T306165 Series
3	T629593	C-Clamp	Suits T306 Series
	OBSOLETE	4-Hole Chassis Bracket	Suits T303 Series
	OBSOLETE	Weld-on Bracket	Suits T303 Series





Lined area for writing notes, consisting of numerous horizontal lines.





AUCKLAND

Unit B, 78 Tidal Road
Mangere, Auckland 2022

Phone: [09] 261 0295
Email: trojan@trailcom.co.nz

CHRISTCHURCH

19 Tanya Street
Bromley, Christchurch 8062

Phone: [03] 365 5107
Email: saleschch@trailcom.co.nz

WWW.TROJAN.CO.NZ

FREE PHONE 0800 TROJAN [876 526]



TRAILER COMPONENT SPECIALISTS