



www.bellmarine.com.au

World-class stainless steel chandlery and performance boating accessories

Viper 2026

PRO SERIES **PRODUCT CATALOGUE**



Bell Marine is a leading manufacturer of premium boating products and accessories, offering exceptional expertise and personalised service since 1997.

With over 20 years' experience in the boating industry, Bell Marine are passionate providers of a sophisticated range of high-quality boating systems and equipment primed for specialised and general boating use.

All Bell Marine products are individually hand-crafted and designed to achieve results. As one of only a handful of premier stainless steel chandlery and marine accessory manufacturers, quality construction is at the core of our identity.

Bell Marine is committed to providing high-quality products with the durability to last. We develop our famous Viper Pro Series product range in-house, ensuring that each and every product is worthy of the first-class Bell Marine brand. We value craftsmanship and care, hand-making and hand-polishing all our products to a mirror finish without the use of chemical polishing.

Bell Marine's stand-out innovative and renowned submersible range of anchor winches, accredited with IP68 Waterproof Certification, prove a serious contender in the high-performance anchoring arena. Fit with a state-of-the-art 316 marine grade worm

drive stainless steel gearbox, our Viper anchor winches are the preferred choice for boaters all around the world.

Bell Marine's products truly set new standards for the marine industry. Performance and torque are at the forefront of our compact designs. With our Viper anchor winches promising fall rate speeds of up to 50m per minute, you'll experience ultimate anchoring speeds and reach your GPS mark each and every time.

Our quality of workmanship and service is unmatched by competitors. From the twin-skin shine and high gloss gel-coat finish on our Viper Deluxe Fibreglass Bait Boards, to removable and customisable features for easy installation, we provide our clients with premium care and convenience.

To equip your boat with the finest of marine gadgets, choose from Bell Marine's world-class range today.

Thank you for your time and happy boating!



bellmarine.com.au

Viper

PRO SERIES



04

ANCHOR WINCHES
AND ACCESSORIES



11

BAIT BOARDS
SEAT BASES
TACKLE BOXES



15

SLIMY TUBES
GIMBLE BELT
LEAN STATION
OUTRIGGERS



18

ROD HOLDERS AND ACCESSORIES
S/S ROCKET LAUNCHERS
CHANDLERY AND ACCESSORIES



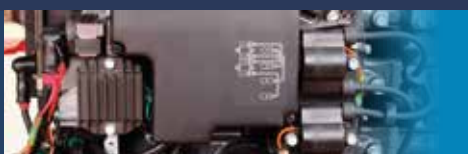
24

BERLEY BUCKETS
CAGES AND ACCESSORIES



25

SWITCHES, PANELS
AND ACCESSORIES



28

WORKSHOP SERVICE KITS
AND REFILL PACKS

ANCHOR WINCHES AND ACCESSORIES



BUNDLE

Viper S Series 'MICRO' 1000W All Stainless Steel Anchor Winch Bundle 30038-S

Designed to fit seamlessly in restricted anchor well spaces, this is one of the world's most powerful electric drum winches for its size. Small for convenience and with unprecedented power to get the job done, this is an essential bundle for your boat.

- 1000W S/S submersible electric motor with IP68 Certification
- All new 316 S/S marine grade worm drive gearbox
- Emergency manual release included for safety
- 8mm Marine Grade 316 Plate S/S hand polished to a mirror finish
- Includes solid 28mm S/S main shaft with 3 support bearings for extra strength
- 360 degree motor rotation and 16 different positions
- 1m of 3B&S tinned copper cable fitted and leak tested
- 5mm S/S sandwich plate and all fixing hardware, installation notes and wiring diagrams included for easy installation
- Max fall rate: 45m per minute
- Max retrieval rate: 40m per minute
- Suits vessels from 4m to 8m in length
- Rope & Chain Kit not covered by warranty



'MICRO' S/S MARINE WINCH BUNDLES

PART NO.	DESCRIPTION	RRP Inc
30038-6S	60m D/braid rope (30045)	\$1,579
30038-4S	100m 4mm rope (30056)	\$1,686

The Viper S Series 'MICRO' Bundle Inclusions:

PART NO.	DESCRIPTION
30038-S	Viper S 1000 "Micro" Submersible Electric Drum Anchor Winch
30045	60m of 6mm double braid premium rope spliced to 6m of 6mm chain
30001	Small Viper Pro Series Anchor Swivel
30009	Small Viper Deluxe Anchor Roller
30020	200amp reversing solenoid
90021	LED illuminated marine rocker switch
90046	Viper laser etched LED illuminated switch cover
30046	100amp flush mount circuit breaker with rubber seal
30051	Single LED switch S/S face place
30052	Combo LED switch and circuit breaker S/S face plate

Packaging

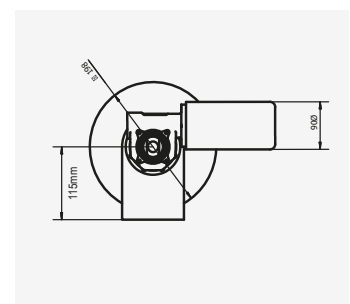
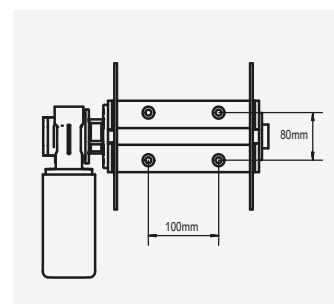
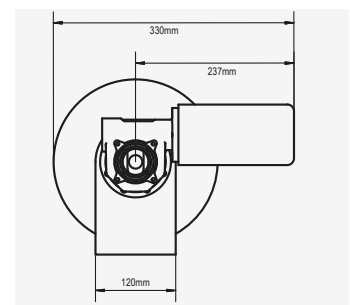
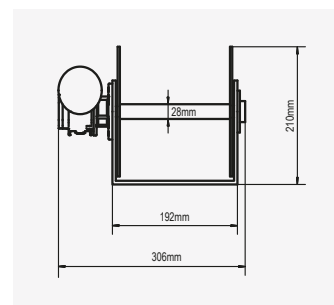
Winch box: 430 x 420 x 310mm | 20kg Rope kit: 230 x 230 x 210mm | 6kg

Options

PART NO.	DESCRIPTION
30038-A	Alloy fitment kit for aluminium boat installations
30053	Black 8m chain sock to suit 6mm chain
30053G	Fluro green 8m chain sock to suit 6mm chain
30023	Small 316 S/S cast hawse pipe for tricky installations
30006	Single Viper Bow Roller self-launching with safety harness
30016	Deluxe 3 Roller Viper Bow Roller self-launching
30034	Factory made marine wiring loom boats up to 6m
30035	Factory made marine wiring loom boats up to 8m
30061	Customised wiring loom for 1000W Winch
30073	Wireless remote control for viper winches (30m range)



All required installation is supplied



ANCHOR WINCHES AND ACCESSORIES

BUNDLE

Viper S Series 'RAPID' 1000W All Stainless Steel Anchor Winch Bundle 30021-S

As the very first Drum Anchor Winch built with a 316 Stainless Steel Marine Gearbox, the Viper S Series 'RAPID' has set new standards in anchoring systems. Powerful and equipped with unsurpassed Viper reliability, this Anchor Winch Bundle boasts one of the most powerful electric drum winches for its size.

- Features Viper S Series 1000 Submersible Electric Drum Anchor Winch for extra torque
- Powerful 316 S/S Worm Drive Gear Box has been pressure tested and sealed
- Designed to prevent rope jams
- Support bearings hugging a 28mm one piece solid shaft and a 90 degree welded housing bracket for added strength
- Emergency manual release included for safety
- Hand polished marine 316 grade stainless steel
- 1m 3B&S power leads and joining connectors come included
- 5mm S/S sandwich plate and all fixing hardware, installation notes and wiring diagrams included for easy installation
- Fall rate: 50m per minute
- Retrieval rate: 45m per minute
- Suits vessels from 5.7m in length
- Weight: 17.4kg
- Rope & Chain Kit not covered by warranty



'RAPID' S/S MARINE WINCH BUNDLES

PART NO.	DESCRIPTION	RRP Inc
30021-8S	75m 3 strand rope (30010)	\$1,716
30021-6S	100m 6mm D/B rope (30022)	\$1,716
30021-5S	200m 5mm hi spec rope (30057)	\$1,920

The Viper S Series 'RAPID' Bundle Inclusions:

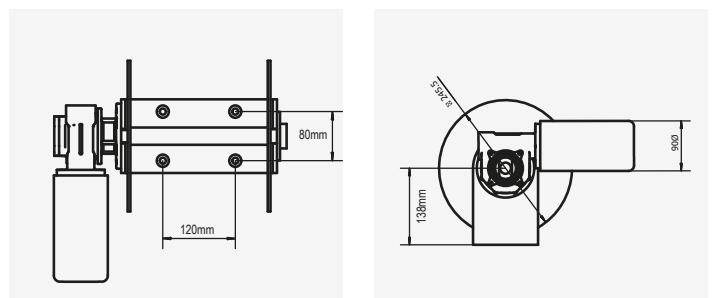
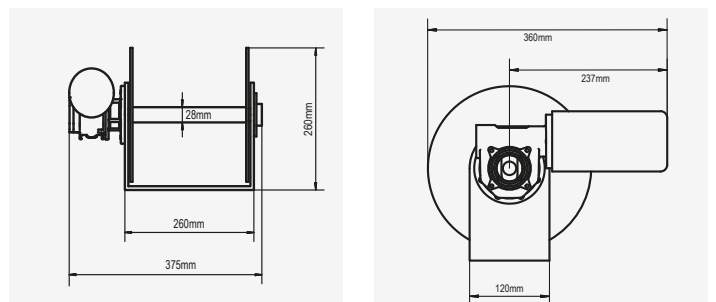
PART NO.	DESCRIPTION
30021-S	S Series 1000 Submersible Electric Drum Anchor Winch
30010	75m of 8mm triple strand premium rope spliced to 8m of 6mm chain
30001	Small Viper Pro Series Anchor Swivel
30009	Small Viper Deluxe Anchor Roller
30020	200amp reversing solenoid
90021	LED illuminated marine rocker switch
90046	Viper laser etched LED illuminated switch cover
30046	100amp flush mount circuit breaker with rubber seal
30051	Single LED switch S/S face place
30052	Combo LED switch and circuit breaker S/S face plate

Packaging

Winch box: 460 x 450 x 350mm | 23kg
 Rope kit: 270 x 270 x 250mm | 9kg

Options

PART NO.	DESCRIPTION
30021-A	Alloy fitment kit for aluminium boat installations
30036	Black 10m chain sock to suit 6mm chain
30036G	Fluro green 10m chain sock to suit 6mm chain
30023	316 S/S cast hawse pipe for tricky installations
30006	Single Viper Bow Roller self-launching
30016	Deluxe 3 Roller Viper Bow Roller self-launching
30034	Factory made marine wiring loom boats up to 6m
30035	Factory made marine wiring loom boats up to 8m
30061	Customised wiring loom made to suit any length boat
30073	Wireless remote control for viper winches (30m range)



ANCHOR WINCHES AND ACCESSORIES

BUNDLE

Viper S Series 'GRAVITY FEED' 1000 Anchor Winch Bundle

30072-S

Developed after six years of thorough research and an additional two years of testing, the Viper 'GRAVITY FEED' provides an unprecedented level of free fall perfection. This all-new stainless-steel anchor winch system is pioneered for high performance. Free from any additional electronics, wiring or solenoids, this premium mechanical free fall system provides you peace of mind and reliability in the harshest of boating conditions.

- 1000W submersible S/S electric motor with IP68 Certification
- 28mm solid S/S shaft with 3 support bearings
- 8mm marine grade 316 plate S/S hand polished to a mirror finish
- Viper 316 S/S marine worm drive gear box
- 360 degree motor rotation with 16 different positions
- 5mm S/S sandwich plate and all fixing hardware, installation notes and wiring diagrams included for easy installation
- Max fall rate: 138m per minute
- Max retrieval rate: 45m per minute
- Suit vessel length: 5.7m plus
- Weight: 23kg (winch only)
- Well clearance required: W435 x H266 x D365mm
- Rope & Chain Kit not covered by warranty



FREEFALL FORCE

'GRAVITY FEED' S/S MARINE WINCH BUNDLES

PART NO.	DESCRIPTION	RRP Inc
30072-6S	90m 6mm D/B rope/chain (30032)	\$2,165
30072-5S	165m 5mm rope/chain (30059)	\$2,315

The Viper S Series 'GRAVITY FEED' Bundle Inclusions:

PART NO.	DESCRIPTION
30072-6S	Viper S 1000 "GRAVITY FEED" Electric Drum Anchor Winch
30032	90m of 6mm double braid rope spliced to 8m of 6mm chain
30001	Small Viper Pro Series Anchor Swivel
30009	Small Viper Deluxe Anchor Roller
30020	200amp reversing solenoid
90109	Viper Elite Series S/S up/down switches
30046	100amp flush mount circuit breaker with rubber seal

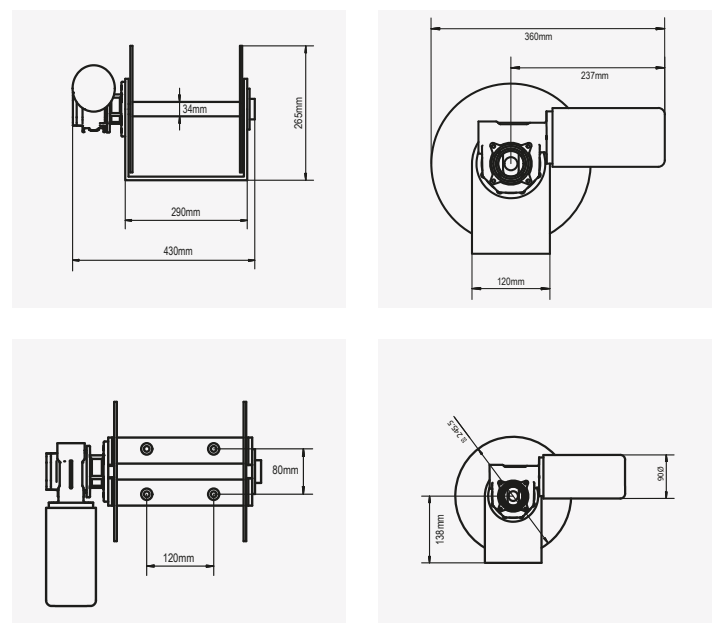


Packaging

Winch box: 460 x 450 x 350mm | 23kg
 Rope kit: 270 x 270 x 250mm | 9kg

Options

PART NO.	DESCRIPTION
30021-A	Alloy fitment kit for aluminium boat installations
30036	Black 10m chain sock to suit 6mm chain
30036G	Fluro green 10m chain sock to suit 6mm chain
30023	316 S/S cast hawse pipe for tricky installations
30006	Single Viper Bow Roller self-launching
30016	Deluxe 3 Roller Viper Bow Roller self-launching
30034	Factory made marine wiring loom boats up to 6m
30035	Factory made marine wiring loom boats up to 8m
30061	Customised wiring loom made to suit any length boat
30073	Wireless remote control for viper winches (30m range)



ANCHOR WINCHES AND ACCESSORIES

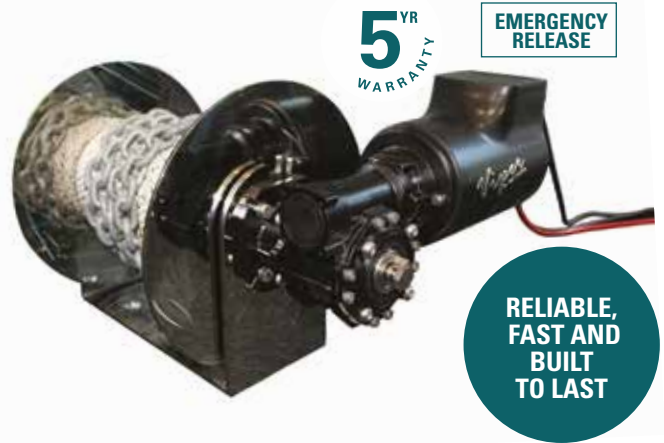
BUNDLE

Viper Pro Series II 1500/2500W Anchor Winch Bundle

30003

Designed for commercial and large vessel installations, the Pro Series II 1500/2500W series anchor winch is the most powerful in our range. With a generous rope capacity of up to 200m, this winch makes anchoring in deep water a breeze. Powerful enough to haul a 37lb plough anchor all day and fit with an emergency release function, the Viper Pro Series II 1500/2500W promises strength and stability even in the toughest of conditions.

- Rope capacity of up to 200m of 6mm double braid or 100m of 8mm triple strand rope spliced to 10m of 8mm short link chain
- Supplied with 1m of 3B&S power leads and joining connectors
- 5mm S/S sandwich plate and all fixing hardware, installation notes and wiring diagrams included for easy installation
- Emergency manual release included for safety
- Max fall rate: 55m per minute
- Max retrieval rate: 46m per minute
- Suit vessel length: 8m plus
- Max load: 360kgs
- Weight: 28kg
- Rope & Chain Kit not covered by warranty



VIPER PRO SERIES II 1500W ANCHOR WINCH BUNDLES

PART NO.	DESCRIPTION	RRP Inc
30003-6	200m D/Braid rope kit (30027)	\$1,985
30003-8	100m 3 Strand rope kit (30026)	\$1,920

VIPER PRO SERIES II 2500W 24V ANCHOR WINCH BUNDLES

PART NO.	DESCRIPTION
30004-6	200m D/Braid rope kit (30027)
30004-8	100m 3 strand rope kit (30026)

The Viper Pro Series II 1500W Anchor Winch Bundle Inclusions:

PART NO.	DESCRIPTION
30003-6S	Viper Pro Series II 1500W Anchor Winch
30026	100m of 8mm 3 strand premium rope spliced to 10m of 8mm chain
30019	Large Viper Pro Series Anchor Swivel
30002	Large Viper Deluxe Anchor Roller
30024	400amp reversing solenoid
90021	LED illuminated marine rocker switch
90046	Viper laser etched LED illuminated switch cover
30025	135amp flush mount circuit breaker with rubber seal
30051	Single LED switch S/S face place
30052	Combo LED switch and circuit breaker S/S face plate

Packaging

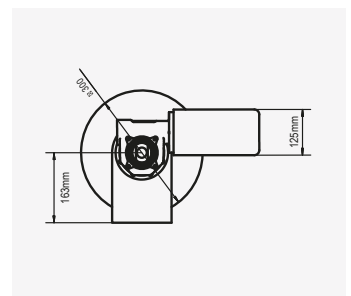
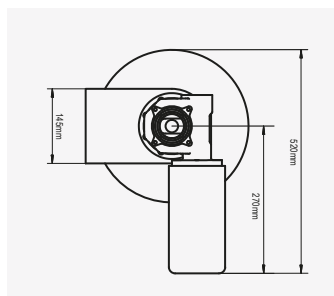
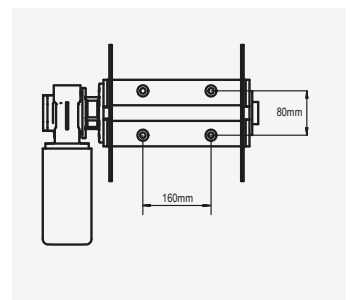
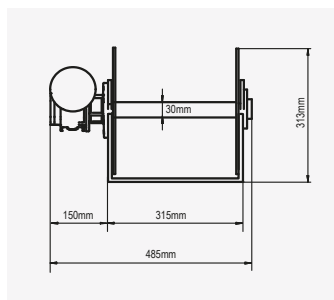
1500W drum and housing: 530 x 380 x 390mm | 21kg

1500W winch motor: 500 x 230 x 270mm | 13kg

Rope and chain kit: 320 x 320 x 340mm | 20kg

Options

PART NO.	DESCRIPTION
30003-A	Alloy fitment kit for aluminium boat installations
30037	12m chain sock to suit 8mm chain
30031	Large hawse pipe for tricky installations
30006	Single Viper Bow Roller self-launching
30007	Large Deluxe 3 Roller Viper Bow Roller self-launching
30060	Customised wiring loom for 1500W winch
30073	Wireless remote control for viper winches (30m range)



ANCHOR WINCHES AND ACCESSORIES

BOW ROLLERS

Deluxe Stainless Steel Bow Rollers

- Designed to self-launch and suitable for most anchors
- Comprises of 3 high-performance neoprene rollers
- Includes stainless steel installation bolts for added strength
- Integrated anchor stops, rope hoop and mounting holes for convenience
- Hand-made and hand polished to a mirror finish



PART NO.	DESCRIPTION	SIZE - PART (L x W x H)	MOUNT AREA	RRP Inc
30016	Small	370 x 72 x 210mm	210 x 70mm	\$420
<i>NOTE: 4 x 8mm S/S bolts, washers and nyloc nuts supplied</i>				
30007	Large	500 x 95 x 260mm	300 x 95mm	\$490
<i>NOTE: 6 x 8mm S/S bolts, washers and nyloc nuts supplied</i>				

Deluxe Stainless Steel Single Roller Bow Roller

- Suitable for boats requiring a longer bow roller
- Reduces rope chafe
- Allows for free falling and correct alignment upon retrieval
- Constructed with 5mm plate marine grade 316 stainless steel
- Integrated rope hoop, neoprene roller, mounting holes and stainless steel installation bolts
- Hand polished to a mirror finish



PART NO.	DESCRIPTION	SIZE - PART (L x W x H)	MOUNT AREA	RRP Inc
30006	Single Bow Roller	510 x 85 x 190mm	300 x 85	\$286
<i>NOTE: 6 x 8mm S/S bolts, washers and nyloc nuts supplied</i>				

ANCHOR SWIVELS

Deluxe Anchor Swivels

- Attach between the chain and anchor to prevent the rope and chain from twisting
- Ensures perfect transition through anchor rollers
- Reduces damage to the hull by preventing the anchor from spinning
- Constructed with 316 stainless steel joints
- Weight range: suitable up to 200kgs/440lbs



PART NO.	DESCRIPTION	SIZE - PART (L x D)	RRP Inc
30001	Small	120 x 28mm	\$45
Suits 6-8mm chain Anchor shaft 15mm			
30019	Large	160 x 28mm	\$82
Suits 8-12mm chain Anchor shaft 19mm			

ANCHOR ROLLERS

Deluxe Stainless Steel Anchor Rollers

- Ensures smooth operation of anchor winch and prevents deck damage
- Constructed with 5mm plate marine grade 316 stainless steel
- Includes high-performance Viper Nylon Rollers
- Best fitted at the edge of the anchor well when using an electric drum winch
- Hand polished to a mirror finish



PART NO.	DESCRIPTION	SIZE - PART (L x W x H)	RRP Inc
30009	Small	130 x 50 x 105mm	\$152
30002	Large	205 x 50 x 105mm	\$202

PRO TIP

PAIR WITH A VIPER CHAIN SOCK FOR SMOOTH SILENT WINCHING

HAWSE PIPES

Stainless Steel Hawse Pipes

- Perfect for cuddy cabs, centre consoles or bow riders with very small anchor wells
- Use in conjunction with a winch to easily connect rope and chain to the bow roller
- Constructed with marine grade 316 stainless steel
- Hand polished to a mirror finish
- Pair with a Viper Chain Sock for smooth silent winching



30023R
Cutout: 70mm
Overall height: 130mm
Base size: 115mm

30023 - Small
Opening (W x H): 90 x 55mm
Flange (W x D): 158 x 97mm
Cutout: W120 x 65mm
Overall height: 78mm

30031 - Large
Opening (W x H): 220 x 100mm
Flange (W x D): 220 x 120mm
Cutout: W190 x 85mm
Overall height: 130mm

PART NO.	DESCRIPTION	SIZE - PART (W x H x D)	RRP Inc
30023	Small	153 x 75 x 90mm	\$152
30031	Large	220 x 130 x 120mm	\$365
30023R	Round	DIA 76mm x H 140mm x D 140mm	\$152

CIRCUIT BREAKER

Waterproof 80, 100 & 135amp Flush Mount Circuit Breakers

- Compact in size
- Combines switching and circuit breaker function all in one
- Designed to be surface mounted
- Protects high amperage circuits at any location
- All supplied with a flush mount rubber seal



PART NO.	DESCRIPTION	RRP Inc
30018	80amp	\$50
30046	100amp	\$50
30025	135amp	\$50

ANCHOR WINCHES AND ACCESSORIES

REVERSING SOLENOIDS

Marine Grade Reversing Solenoids

- 12V to power Viper 800/1000 and 1500 winches
- Designed to suit harsh marine conditions
- Versatile and suitable for other marine applications
- Comes with 3 switch connectors and 4 power terminals



PART NO.	DESCRIPTION	RRP Inc
30020	200amp	\$60
30024	400amp	\$97
30075	400amp - 24V	\$87

WIRELESS WINCH REMOTE CONTROL

- Suits all anchor winch models including Viper Pro Series range
- Small, compact handheld device for convenience
- No need to start the engine to manoeuvre the boat
- Comes complete with installation and operation instructions
- Operating range: 30m

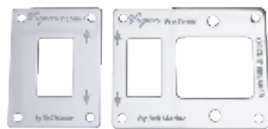


PART NO.	DESCRIPTION	RRP Inc
30073	Control to suit any winch	\$75

FACE PLATES

Flush Mount Face Plates

- Hand polished to a mirror finish
- Designed to be surface mounted to dash
- Comprised of the highest grade 316 marine grade stainless steel
- Fixing screws included



PART NO.	DESCRIPTION	SIZE - PART (W x H)	RRP Inc
30051	S/S face plate for LED switch	60 x 80mm	\$23
30052	S/S combo face plate for LED switch and circuit breaker	100 x 80mm	\$28
30070	Aluminium face plate for LED switch	60 x 80mm	\$23
30071	Aluminium combo face plate for LED switch and circuit breaker	100 x 80mm	\$28

Up/Down Led Switch & Face Plate Combo

- Illuminated red LED anchor rocker switch
- Hand polished S/S face plate
- Clearly labelled for easy installation
- Designed for flush mount
- Momentary ON/OFF/ON toggle switch
- 12v 20amp
- Includes anchor symbol LED indicator



PART NO.	DESCRIPTION	SIZE - PART (W x H)	RRP Inc
30017	Switch plus S/S face plate	60 x 80mm	\$44
30039	Switch plus alloy face plate	60 x 80mm	\$44

FACE PLATES COMBOS

Up/Down Led Switch, 100amp Circuit Breaker & Face Plate Combo

- Conveniently Mount the switch and circuit breaker into a hand polished 316 marine grade stainless steel face plate



PART NO.	DESCRIPTION	SIZE - PART (W x H)	RRP Inc
30050	S/S face plate Combo	100 x 80mm	\$87
30069	Alloy face plate Combo	100 x 80mm	\$87

FITMENT KIT

Alloy Boat Fitment Kit

- A must-have for every aluminium boat
- Constructed from alloy to prevent electrolysis issues from S/S accessories

Includes

- 2 HD plastic winch sandwich plates
- Anchor roller insulation
- Insulation spacers for each bolt
- Aluminium switch face plate



PART NO.	DESCRIPTION	RRP Inc
30038-A	Suits Viper S Series 1000 Micro Winch	\$44
30021-A	Suits Viper S Series 1000 Rapid Winch + Gravity	\$60
30003-A	Suits Viper Pro Series II 1500/2500 Micro Winch	\$65

HIGHLY RECOMMENDED FOR ALUMINUM BOATS

CHAIN SOCK

Original Australian Made Chain Sock

- Comprised of high tech polyester blend braid
- Designed to encase 6 or 8mm short link chain
- Only Australian made chain guard available
- Perfect for protecting your boat's anchor rollers, bowsprit, winch, gel-coat and gunnel
- Proven to reduce chain clang and increase your chance of a good catch!
- Recommended to purchase a sock 1-2m longer than your existing chain for the perfect fit



PART NO.	DESCRIPTION	LENGTH	COLOUR	RRP Inc
30053	Sock to suit 6mm shortlink anchor chain	8m	Black	\$38
30053G	Sock to suit 6mm shortlink anchor chain	8m	Fluro Green	\$38
30036	Sock to suit 6mm shortlink anchor chain	10m	Black	\$44
30036G	Sock to suit 6mm shortlink anchor chain	10m	Fluro Green	\$44
30036A	Sock to suit 6mm shortlink anchor chain	100m	Black	\$356
30037	Sock to suit 8mm shortlink anchor chain	12m	Black	\$54
30037A	Sock to suit 8mm shortlink anchor chain	100m	Black	\$401

TIP BUY 1-2M LONGER THEN YOUR CHAIN TO FIT CORRECTLY

ANCHOR WINCHES AND ACCESSORIES

PLOUGH ANCHORS

Galvanised and Polished Stainless Steel Plough Anchors

- Designed to suit most bow rollers
- Essential for electric winch installations
- Reinforced for strength in damaging weather conditions
- Guaranteed self launch every time
- Fitted with a S/S D-shackle with in-built countersunk Allen key S/S bolt
- Available in highly polished S/S
- Add a Viper Anchor Swivel (30001 & 30019) for premium installation



PART NO.	DESCRIPTION	SHAFT LENGTH	RRP Inc
30015	Galvanised Plough Anchors 10lb/5kg		\$72
30011	Galvanised Plough Anchors 15lb/7kg		\$103
30012	Galvanised Plough Anchors 20lb/9kg		\$115
30028	Galvanised Plough Anchors 27lb/12kg		\$162
30029	Galvanised Plough Anchors 35lb/16kg		\$205
30013	Polished S/S Plough Anchors 10lb/5kg	450mm	\$439
30014	Polished S/S Plough Anchors 15lb/7kg	500mm	\$488
30030	Polished S/S Plough Anchors 20lb/9kg	630mm	\$593

ROPE AND CHAIN KITS

- Best suited for drum winches
- Comprised of fine Viper 3 strand, double braid & UHMWPE Spectra ropes for strength and durability
- Rope kits are pre-spliced for convenience
- Chain kits come pre-wound onto the drums for easy application
- Pair with a Viper Chain Sock for added protection for your boat's gelcoat
- Chain type: all spliced to short link gal anchor chain



8mm Spliced 3 Strand Premium Blend Anchor Rope Kits

PART NO.	DESCRIPTION	TOTAL LENGTH	RRP Inc
30010	75m spliced to 8m of 6mm chain	83m	\$173
30026	100m spliced to 10m of 8mm chain	110m	\$238

6mm Double Braid Premium Blend Anchor Rope Kits

PART NO.	DESCRIPTION	TOTAL LENGTH	RRP Inc
30045	60m spliced to 6m of 6mm chain	66m	\$152
30032	90m spliced to 8m of 6mm chain	98m	\$183
30022	100m spliced to 8m of 6mm chain	108m	\$201
30027	200m spliced to 10m of 8mm chain	210m	\$399

100% 12 Plait UHMWPE Fibre with Polyurethane Coating Anchor Rope Kits

- Rope type: Rope spliced to a 3 strand 10m shock cord

PART NO.	DESCRIPTION	TOTAL LENGTH	BREAKING STRAIN	RRP Inc
30056	100m of 4mm UHMWPE rope plus 6m of 6mm chain	116m	1550kg	\$318
30059	165m of 5mm UHMWPE rope plus 8m of 6mm chain	183m	2050kg	\$374
30057	200m of 5mm UHMWPE rope plus 8m of 6mm chain	218m	2050kg	\$428



Short Link Hot Dipped Galvanised Anchor Chain

PART NO.	DESCRIPTION	RRP Inc
30055	6mm	\$10
30058	8mm	\$16

WINCH LOOMS 3B&S CABLE

Viper Marine Winch Loom

- Individually hand-made
- Fully tested to suit most boats
- Marine grade 3B&S (25mm²) tinned copper wire, silicon impregnated marine heat shrink and blind tinned copper lugs
- Each connector is labelled for easy installation



PART NO.	DESCRIPTION	WINCH TYPE	RRP Inc
30034	To suit boats up to 6m	Micro rapid gravity winches	\$395
Positive Cable Lengths		Negative Cable Lengths	
Battery to Circuit Breaker - 4.5m		Battery to Solenoid - 5.5m	
Circuit Breaker to Solenoid - 1m		Solenoid to Winch Motor - 2.5m	
Solenoid To Winch Motor - 2.5m			

PART NO.	DESCRIPTION	WINCH TYPE	RRP Inc
30035	To suit boats up to 8m	Micro rapid gravity winches	\$495
Positive Cable Lengths		Negative Cable Lengths	
Battery to Circuit Breaker - 5.8m		Battery to Solenoid - 6.8m	
Circuit Breaker to Solenoid - 1.5m		Solenoid to Winch Motor - 3.2m	
Solenoid To Winch Motor - 3.2m			

PLEASE NOTE THAT SWITCH LOOMS ARE 1.5M IN LENGTH AND SHOULD SUIT MOST BOATS

Viper Custom Marine Winch Loom

PART NO.	DESCRIPTION	RRP Inc
30060	To suit 1500W Winches	POA
30061	To suit 1000W Winches (micro, rapid & gravity feed)	POA

NOTE LOOM FORM REQUIRED

3B&S Tinned Copper Cable- 25mm²

PART NO.	DESCRIPTION	RRP Inc
90043	Black	\$21
90044	Red	\$21

NOTE LOOM FORM REQUIRED

HEAT SHRINK

- Made from heavy-duty marine grade silicone
- Reinforces cabling to ensure it is watertight
- Minimises the risk of corrosion
- Sold per metre



PART NO.	DESCRIPTION	RRP Inc
90062	Black	\$8
90063	Red	\$8



BAIT BOARDS SEAT BASES AND TACKLE BOXES

BAIT BOARD

Deluxe Fibreglass Removable Bait Board

- Completely removable for convenience
- Manufactured from premium fibreglass with gloss white gel coat finish
- Dimensions: W850 x D450 x H100mm



Specifications

Construction Twin skin hand-cut and polished fibreglass with gel coat top and bottom

Legs and Mounts 380 x 420mm (OD) marine grade S/S legs

Hinges 2 x 25mm polished 316 marine grade S/S

Rod Holders Deluxe cast S/S 30° with rubber sleeves and caps

Waste Plastic skin fitting S/S hose clamp, 30mm x 1m reinforced clear hose

Storage Plastic skin fitting S/S hose clamp, 30mm x 100mm reinforced clear hose

Cutting Board Non-abrasive high-density plastic

Rod Rack Optional 6-way double wire 316 Marine S/S double wire six-rod rack

PART NO.	DESCRIPTION	RRP Inc
50016	Deluxe fibreglass removable bait board	\$960

INCLUDED IN THIS

- 50005 Removable bait board legs and fittings
 - Hose
 - Drain Plug

PART NO.	DESCRIPTION	RRP Inc
50017	Combo removable bait board with 6-way rod rack	\$1,290

INCLUDED IN THIS

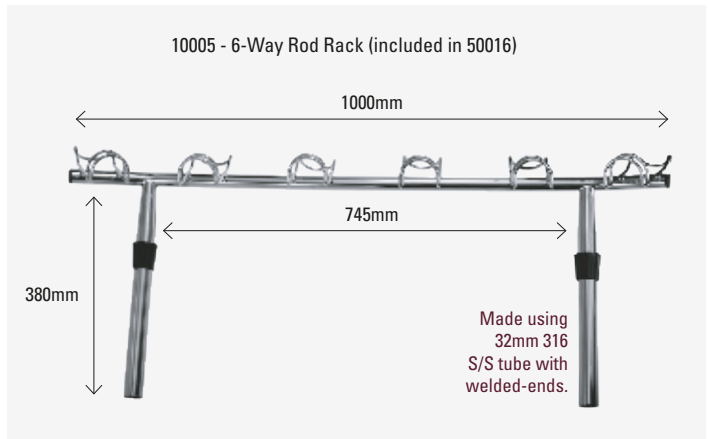
- 10005 6-Way Rod Rack
- 50005 Removable bait board legs and fittings
 - Hose
 - Drain Plug

Packaging W920 x D520 x H270mm

Weight 19kg

Options

PART NO.	DESCRIPTION	RRP Inc
50004	S/S Towel Rail	\$37
50005	Removable bait board legs and fittings	\$225
50010	38mm female deck fittings (sold in pairs) 38mm ID	\$140
10005	Double wire 6-way S/S rod rack	\$350
10018	Half tube 6-way S/S rod rack	\$490
40001	S/S Cup holder with drain cut out - cut out 90mm	\$30
40004	S/S Cup holder without drain cut out 73mm	\$21



BAIT BOARD

Deluxe Small Fibreglass Removable Bait Board

- Completely removable for convenience
- Manufactured from premium fibreglass with gloss white gel coat finish
- Dimensions: W600 x D420 x H50mm

Specifications

Construction Twin skin hand-cut and polished fibreglass with gel coat top and bottom

Legs and Mounts 380 x 420mm (OD) marine grade S/S legs

Rod Holders Deluxe cast S/S 30° with rubber sleeves and caps

Cutting Board Non-abrasive high-density plastic

Rod Rack Optional 4-way double wire 316 Marine S/S double wire four-rod rack



50005 - Removable Bait Board with legs and fitting

Hose

PART NO.	DESCRIPTION	RRP Inc
50013	Deluxe Small fibreglass removable bait board	\$822

INCLUDED IN THIS

- 50005 Removable bait board legs and fittings
- Hose

PART NO.	DESCRIPTION	RRP Inc
50015	Small baitboard rod rack combo	\$1,010

INCLUDED IN THIS

- 10037 Snapper Rack- 4 Way S/S Rod Rack
- 50005 Removable bait board legs and fittings
- Hose

Options

PART NO.	DESCRIPTION	RRP Inc
50005	Removable bait board legs and fittings - 420mm	\$225
10037	Snapper rack - 4 way S/S rod rack	\$295

10037 - Snapper Rack- 4 Way S/S Rod Rack (included in 50015)



Made using 32mm 316 S/S tube with welded-ends.

BAIT BOARDS, SEAT BASES AND TACKLE BOXES

BAIT BOARD PROTECTOR

Deluxe Stainless Steel Removable Bait Board - Small

- Compact in size and removable for convenience
- Bait board constructed from hand polished 316 marine grade S/S to complement your boat's other S/S fittings
- Abrasion-resistant cutting surface for durability
- Comprises of a large S/S bait/storage compartment under the cutting board
- Includes two S/S rod holders with rubber caps to protect your rods
- Fit with perforated S/S splashback
- Dimensions: L620 x H250 x D380mm

PART NO.	DESCRIPTION	COLOUR	RRP Inc
50002	Removable S/S bait board		\$850
50002-B	Bait board protector tray for 50002	Black	\$9
50002-W	Bait board protector tray for 50002	White	\$9

Packaging W920 x H270 x D520mm **Weight** 11kg

Construction Bait board Marine grade S/S fully welded - hand polished

Legs and Mounts 38mm (OD) x 420mm marine grade S/S

Rod Holders 45mm (ID) stainless steel rod holders with rubber caps

Storage Bait/storage compartment L450 x W100 x H100mm

Cutting Board L330 x W470mm



50002



50002-B

50002-W



50005

Deluxe Stainless Steel Removable Bait Board - Large

- Dimensions: W800 x H250 x D380mm
- Storage compartment: L400 x W100 x H100mm
- Rod Holders: 45mm (I.D.) stainless steel with rubber caps and rolled bottoms
- Cutting Board: L330 x W655mm
- Leg Mounts: 38mm (O.D.) x 420mm marine grade stainless steel

PART NO.	DESCRIPTION	DIMENSIONS	RRP Inc
50009	S/S Removable Baitboard - Large	W800xH250xD380mm	\$950



50009

BAIT BOARDS, SEAT BASES AND TACKLE BOXES

TACKLE STORAGE LOCKER

S/S Tackle Storage Locker

- Includes 5 small and 2 large tackle boxes with adjustable dividers to house all your lures, sinkers or hooks
- Stainless steel lockable pull handle
- 100% seam welded, finished and hand polished to a mirror finish
- Dimensions: L420 x W265 x H330mm
- Cut out dimensions: W385 x H295mm
- Depth required: 270mm

PART NO.	DESCRIPTION	DIMENSIONS	RRP Inc
80022	S/S Locker incl. 7 tackle boxes	W420xH265xD330mm	\$756

Packaging: L530 x W380 x H380mm

Weight: 11.25kg



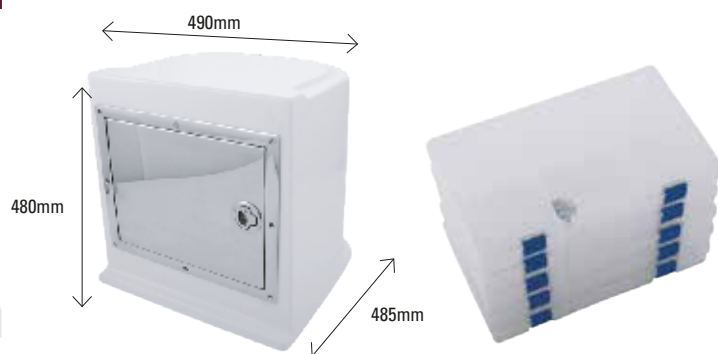
COMBO SEAT BASE & TACKLE STORAGE LOCKER

Combo Seat Base S/S Tackle Storage Locker

- Compact and convenient seating/storage combo
- Matches P/N 80028 for an ultimately classy look
- Includes 7 storage lockers trays with dividers (5 small and 2 large)
- Dimensions: L490 x W485 x H480mm
- Seat base weight: 9kg
- Combo weight: 19kg

PART NO.	DESCRIPTION	DIMENSIONS	RRP Inc
80023	Combo seat base and S/S tackle locker	W490xH485xD480mm	\$1,250

Packaging: L520 x W520 x H520mm



ACCESS HATCH

S/S Flush Mount Access Hatch

- Constructed from sturdy 316 marind grade S/S
- Fully welded and hand polished to a mirror finish
- Reversible for easy access from left or right-hand side
- Includes lock, keys and hardware for easy installation
- Matches P/N 80022 for a seamless and timeless style
- Dimensions: W420 x H330mm
- Cut out dimensions: W380 x H290mm

PART NO.	DESCRIPTION	DIMENSIONS	RRP Inc
80028	S/S Flush mount access hatch	W420xH330	\$445



STORAGE SEAT BASE

Deluxe Fibreglass Seat Base

- Constructed from high-grade fibreglass
- Conveniently bolts directly to the boat's floor
- Solid top ready for you to directly bolt your seat base or swivel base onto
- Hand-cut and hand polished to a glossy white gel coat finish

PART NO.	DESCRIPTION	DIMENSIONS	RRP Inc
80021	Deluxe fibreglass seat base	W490xH480xD450mm	\$550

Packaging: L520 x W520 x H520mm

Weight: 9kg





SLIMY TUBES, GIMBLE BELT LEAN STATION, OUTRIGGERS

VIPER PRO SERIES LIVE BAIT SLIMY TUBE

Designed to keep live baits healthy, active, and tangle-free while fishing. Constructed from marine-grade 316 stainless steel and finished in a mirror polish, the Viper Slimy Tube delivers durability, corrosion resistance, and a premium look that matches modern fishing boats.

Slimy Twin Tube

- Twin tube design with single inlet feed
- Through-transom concealed inlet for hidden plumbing
- Prevents line tangling with swimming baits
- Constructed from marine-grade 316 stainless steel
- 73mm tube diameter
- 450mm overall tube length
- Connects easily to existing live bait or washdown pumps



60021

PART NO.	DESCRIPTION	DIMENSIONS	RRP Inc
60021	S/S Twin Slimy Live Bait Tubes - Transom Mount	L450xD73mm	\$415
60022	S/S Single Slimy Live Bait Tube - Deck Mount	L420xD73mm	\$229

Slimy Single Tube

- Prevents line tangling from swimming rigged baits
- Gunnel-mounted design for convenience and easy access
- Connects directly to existing deck wash pump
- Made from 316 grade stainless steel
- Mirror polished finish
- 73mm tube diameter
- 420mm overall length



60022

GIMBLE BELT

Viper Fibreglass Premium Gimble Belt

Designed for light to medium game fishing and fits anglers of all sizes from Small to Large. Serious comfort, Serious control, Serious Viper.

- Weighs in at 700 grams.
- Shipping Dimension: W365 X L 360 X H135mm.



60027

RRP Inc

\$290

GAME STATION

Premium Lean Board

Built with a mirror finished gel-coated top to give you that sleek look every boaties is looking for, this heavy-duty lean station is designed to handle rough conditions.

Features include:

- 4 game-rated rod holders (2 x 30 degree, 2 x 0 degree)
- 2 integrated stainless steel cup holders
- Knife rebate



RRP Inc

\$849

60026

Premium Lean Post

Designed to endure the toughest marine environments, our premium grade stainless steel lean post is fully welded and polished to a mirror finish for lasting performance and style.

Features include:

- Smooth 360 degree rotation
- 750mm height
- 76mm heavy-duty S/S tube
- 240mm base
- 200mm top mounting plate



RRP Inc

\$545

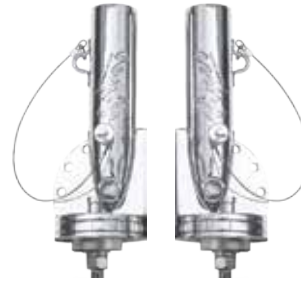
60023

OUTRIGGERS

Viper X-Treme Removable 3 Stage Telescopic Outrigger Bundle - Side Mount

Entirely collapsible for easy storage, these new Viper Extreme Series Outrigger bundles are constructed from heavy-duty commercial stainless steel and built for tough game applications.

- 180° rotation bow to stern
- 90° vertical positioning up/down
- 8mm cast 316 S/S hand polished bases
- Spring-loaded S/S locking pins
- Matte black UV stabilised 3 stage poles
- Includes sandwich plates, all fixing hardware, lines, clips and pulleys for easy installation
- Extended length: 4.876m (16ft)
- Retracted length: 2m (6.5ft)
- Base diameter: 88mm
- Diameter cut out: 51mm
- Takes 41.5mm poles



80014

Includes



80013 - Bundle (Side Mount)

Includes:

PART NO.	DESCRIPTION	RRP Inc
80014	Side mount bases with mounting hardware (pair)	\$1,028
80015	Outrigger bungee cords inc S/S pulleys and clips (pair)	\$54
80008	Tag return weights (sold in pairs)	\$54
80010	Outrigger line kit (lines, bungee cords and quick release clips)	\$108
80009	Telescopic outrigger poles only (pair)	\$648
80026	Quick release adjustable tension line clips (pairs)	\$29

BASES

Viper Shot Gun/Outrigger Bases

- Constructed from 316 marine grade S/S
- Bases swivel 360° with multiple vertical settings
- Less moving parts enables a multitude of mounting options to get the perfect trolling height and angle for your poles
- Bases suit nearly all shot gun/outrigger poles in the marine market

PART NO.	DESCRIPTION	ID SIZE	RRP Inc
80003	Deck mount multi-directional shot gun/outrigger base - sold each	41mm ID	\$108
80004	Rail mount multi-directional shot gun base - sold each	41mm ID	\$108
80005	Deck mount tri-position shot gun/outrigger base - sold each	41mm ID	\$108



80003

80004

Suits 25-32mm rails

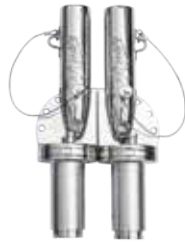
80005

OUTRIGGERS

Viper X-Treme Removable 3 Stage Telescopic Outrigger Bundle Deck Mount

Entirely collapsible for easy storage, these new Viper Extreme Series Outrigger bundles are constructed from heavy-duty commercial stainless steel and built for tough game applications.

- 180° rotation bow to stern
- 90° vertical positioning up/down
- 8mm cast 316 S/S hand polished bases
- Spring-loaded S/S locking pins
- Matte black UV stabilised 3 stage poles
- Includes sandwich plates, all fixing hardware, lines, clips and pulleys for easy installation
- Extended length: 4.876m (16ft)
- Retracted length: 2m (6.5ft)
- Base diameter: 88mm
- Diameter cut out: 51mm
- Takes 41.5mm poles



80001

Includes



80002 - Bundle (Deck)

Includes:

PART NO.	DESCRIPTION	RRP Inc
80001	Removable deck mount bases with mounting hardware (pair)	\$1,028
80015	Outrigger bungee cords inc S/S pulleys and clips (pair)	\$54
80008	Tag return weights (sold in pairs)	\$54
80010	Outrigger line kit (lines, bungee cords and quick release clips)	\$108
80009	Telescopic outrigger poles only - 3 Stage (pair)	\$648
80026	Quick release adjustable tension line clips (pairs)	\$29
80027	Deck fitting for outrigger bases with weather proof caps (pair)	\$173



2 STAGE POLE & 3 STAGE POLES

- Suits Viper Shot Gun/ Outrigger Bases 2 Stage Poles 80003, 80004, 80005

PART NO.	DESCRIPTION	RRP Inc
80019	2 Stage Pole - 12ft (single) 39mm OD.	\$315
80009	Telescopic outrigger poles - 3 Stage - 4.8 metres (16ft) (pair), 41.5mm OD.	\$648



2 STAGE OUTRIGGER POLE BUNDLES

PART NO.	BUNDLE INCLUDES	RRP Inc	PART NO.	BUNDLE INCLUDES	RRP Inc	PART NO.	BUNDLE INCLUDES	RRP Inc
80031	80003 Deck Mount Multi-Directional Shot Gun/Outrigger Base 80019 2 Stage Pole - 12ft	\$411	80032	80004 Rail Mount Multi-Directional Shot Gun Base 80019 2 Stage Pole - 12ft	\$411	80033	80005 Deck Mount Tri-Position Shot Gun/Outrigger Base 80019 2 Stage Pole - 12ft	\$411



ROD HOLDERS AND ACCESSORIES

S/S ROCKET LAUNCHERS

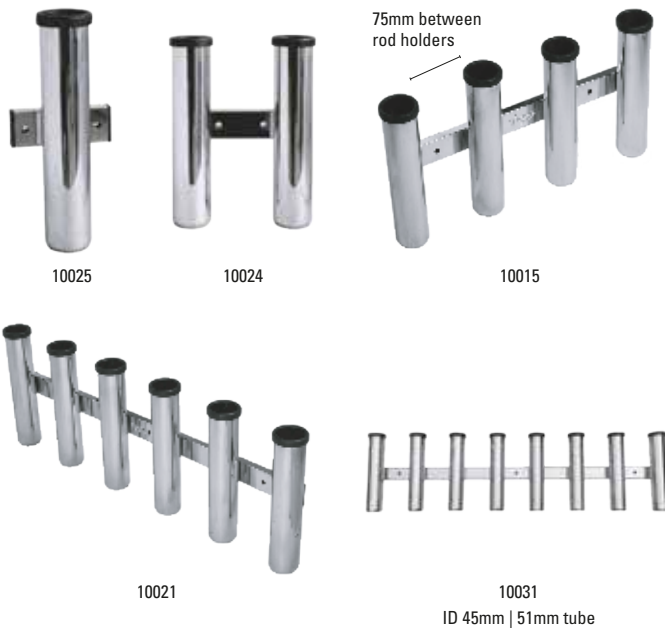
CHANDLERY AND ACCESSORIES



COMBING ROD RACKS

Deluxe Slimline 316 S/S Side Mount Coaming Rod Rack

- Available in single, double, 4, 6 and 8-way versions
- Easily bolts to side of your boat for seamless installation
- Stabilises and secures lines and rods in the roughest of conditions
- Fit with the added support of rolled bottoms, fully-welded gimble pins and hardened plastic end caps
- Length between rod holders: 75mm



PART NO.	DESCRIPTION	LENGTH	RRP Inc
10025	Single	110mm	\$60
10024	Double	190mm	\$80
10015	4-way	450mm	\$170
10021	6-way	710mm	\$220
10031	8-way	990mm	\$290

PART NO.	DESCRIPTION	DIMENSIONS	RRP Inc
10038	Floor mount/mobile 10 way S/S Rod Rack	L660xW355xH240mm	\$295
10038-B	Floor mount/mobile 10 way Anodised Rod Rack	L660xW355xH240mm	\$325

ROD CHIMNEYS

DIY Deluxe 316 S/S Rod Chimneys

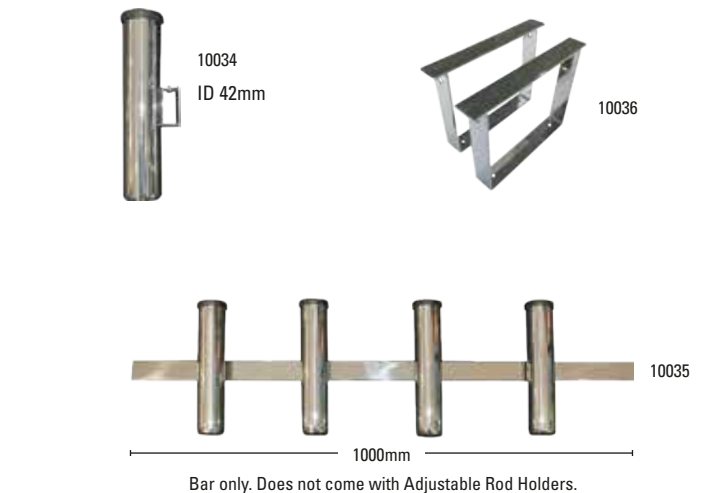
- Constructed with 316 marine grade S/S
- Hand polished to a mirror finish
- Fit with the added support of rolled bottoms, fully-welded gimble pins and hardened plastic tops to protect rod butts and reels



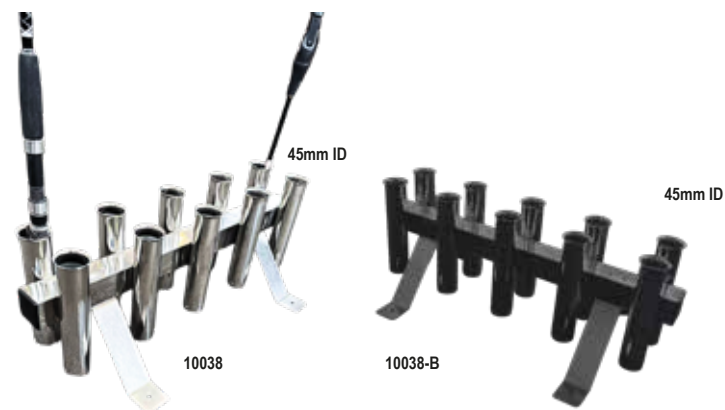
10023

PART NO.	LENGTH	DIAMETER	RRP Inc
10023	250mm	51mm OD 45mm ID	\$35

ADJUSTABLE COMBING RACK



Bar only. Does not come with Adjustable Rod Holders.



ROD HOLDERS

Removable 10-Way Corner Rod Holders

- Double wire construction from hand polished 316 marine grade S/S for stability
- Slimline design for a seamless and secure fit for your rods
- Tapered legs fit perfectly in existing 30° rod holders
- Straight legs and fittings are able to be located in any position
- All legs are completely removable when not required for easy storage



PART NO.	DESCRIPTION	INCL. FITTINGS	RRP Inc
10030	10-way straight legs - pair	4 deck fittings	\$580
10016	10-way tapered legs - pair	2 deck fittings	\$580

Deck fittings

PART NO.	DESCRIPTION	DIMENSIONS	RRP Inc
10019	25mm for corner rod holder - each	25mm ID	\$36

Multi-Directional 3-Way Double Wire & Half Tube Cast Rod Holders

- A versatile design that enables rod holders to be set in any direction and angle
- Constructed from 32mm tube 316 marine grade S/S with fully welded ends
- Hand polished to a mirror finish
- Solid cast S/S base locks into your gimble pins for added strength



PART NO.	DESCRIPTION	RRP Inc
10004W	3-way double wire rod holders-pair to suit 39mm rods	\$432
10004T	3-way cast half tube rod holders- pair to suit 40mm rods	\$540

Multi-Directional Single Rod Holders

- Heavy duty game-rated quality for stability in tough conditions
- Ideal for trolling lures on lakes, rivers and offshore
- Rotates 360° and 90° up/down to ensure correct positioning



PART NO.	DESCRIPTION	ID SIZE	RRP Inc
80006	Full tube single holder	39mm	\$195
80007	Cast half tube single holder	40mm	\$195

ROD HOLDER

Deluxe Game Rated 316 S/S Rod Holders

- Comprise of sturdy, fully welded S/S
- Hand polished to a mirror finish
- Available in 0° and 30°
- 0° best suited for bent butt game rods
- Constructed with heavy duty gimble pins and solid wall thickness



10001 - 30°

10008 - 0°

PART NO.	DESCRIPTION	SIZE	RRP Inc
10001	30°	40mm ID	\$80
10008	0°	40mm ID	\$80

Deluxe Slimline 316 S/S Game Rated Rod Holders

- Constructed from game rated, fully welded 316 S/S
- Slimline and perfect for tight spaces such as narrow gunnels



10010 - 30°

10009 - 15°

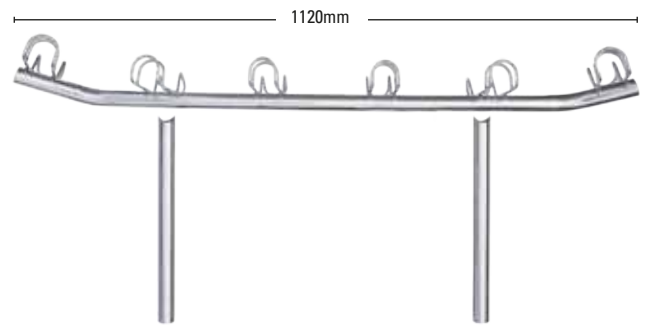
10011 - 0°

PART NO.	DESCRIPTION	SIZE	RRP Inc
10009	15°	42mm ID	\$62
10010	30°	42mm ID	\$62
10011	0°	42mm ID	\$62

ROD RACKS

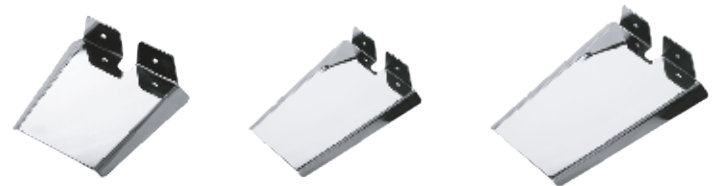
Universal DIY Removable 6-Way Rod Rack

- Completely adjustable, providing flexibility you to position the legs in any location
- Constructed with marine grade 316 S/S
- 6 double wire rod holders are pre-welded into position for convenience
- Ideal for a custom fit to an existing bait board, pre-installed rod holders or a tight narrow gunnel
- Welding service is available - please allow 2-3 weeks
- Please note - legs do not come attached



PART NO.	DESCRIPTION	LENGTH	RRP Inc
10032	Universal DIY removable 6-way rod rack	1120mm	\$450
10033	Custom welding charge for legs	39mm	\$110

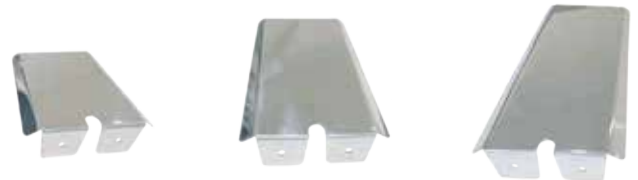
TRANSDUCER COVERS



90014

90015

90130



90131

90132

90138

PART NO.	DESCRIPTION	SIZE	RRP Inc
90014	Small S/S transducer cover	135 x 150mm	\$50
90015	Large S/S transducer cover	200 x 150mm	\$65
90130	Extra Large S/S transducer cover	250 x 150mm	\$81
90131	Small S/S transducer cover - reversed mount	135 x 150mm	\$50
90132	Large S/S transducer cover - reversed mount	200 x 150mm	\$65
90138	Extra Large S/S transducer cover - reversed mount	250 x 150mm	\$81

ROCKET LAUNCHER

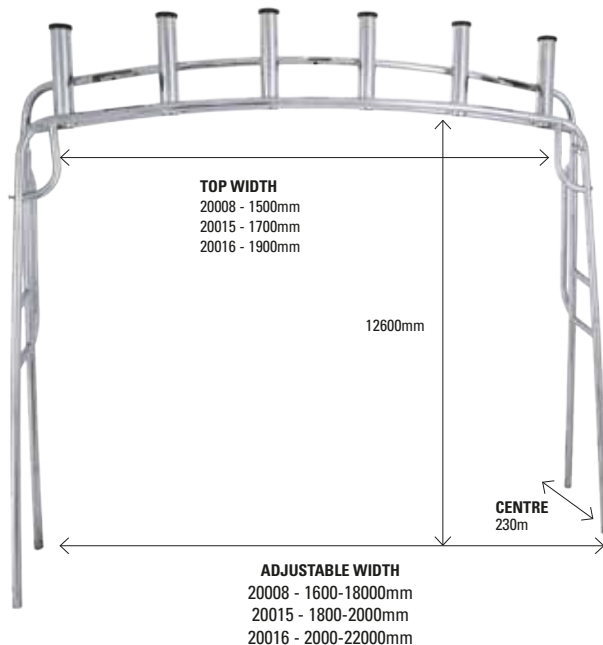
Universal 3 Piece Deluxe Rocket Launcher

Bell Marine's roots are in manufacturing premium rocket launchers and bow rails for quality boat builders across Australia. These three-piece rocket launchers are constructed with quality materials for reliability and strength when angling in the toughest of conditions.

- Fully welded, finished and hand polished to a mirror finish
- Supplied with 2x M8 eye bolts
- Constructed from 25mm 316 marine grade S/S tube
- Easy to fold down for storage when not in use
- Suitable for boats where the rear windscreen meets the deck
- Pre-drilled for internal wiring

Inclusions:

- Mounting brackets included for accessories such as floodlights, radio aerials, GPS aerial and more
- 6 chimneys with rolled bottoms, gimble pins and plastic tops to protect your rods (42mm ID)
- Rear grab rails for passenger comfort and safety
- M8 eye bolts to collapse your rocket launcher for storage
- Built-in bimini mounting rail
- Centre width: 230mm
- Height: 1260mm



PART NO.	DESCRIPTION	TOP WIDTH	ADJUSTABLE WIDTH	RRP Inc
20008	Small	1500mm	1600 - 1800mm	\$1,455
20015	Medium	1700mm	1800 - 2000mm	\$1,510
20016	Large	1900mm	2000 - 2200mm	\$1,565

Packaging L x W x H

- Small: 1790 x 210 x 460mm | 17kg
- Medium: 1880 x 210 x 460mm | 18kg
- Large: 1980 x 210 x 460mm | 19kg



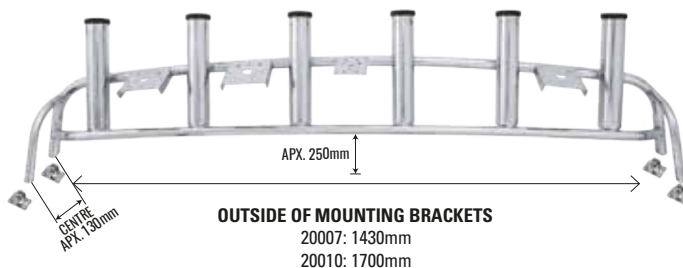
Deluxe Hardtop Rocket Launcher

- Specifically designed to suit most hard top boats
- Constructed from marine grade 316 S/S
- Fully welded and hand polished to a mirror finish
- Includes mounting brackets for all your accessories, provisions for internal wiring
- Comprises of 6 heavy-duty rod holders to keep your rods safe (42mm ID)
- Adjustable angled leg mounts enable launcher to be angled to suit your hardtop and use

PART NO.	DESCRIPTION	RRP Inc
20007	1430mm	\$1,160
20010	1700mm	\$1,240

Packaging L x W x H

- 20007: 1450 x 450 x 75mm | 7kg
- 20010: 1880 x 450 x 75mm | 18kg



WITH ADJUSTABLE ANGLED LEG MOUNTS!

CHANDLERY AND ACCESSORIES

Bell Marine have decades of experience manufacturing quality marine grade chandlery for diverse applications. We offer a multi-faceted range of products, all constructed with exceptional craftsmanship and durability at the forefront.



70001



70002



70003



70004



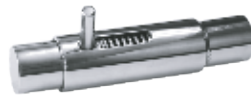
60007



60008



70010



70034



70012



70006

70005

70028



70008

70009



70035

70036



70046

FITS CANS,
BOTTLES, STUBBIE
HOLDERS,
COOLER



70047



70024



70025



70007



70020



70021



70022



70041



70040



70042



70044



70051



40001



40004



40002

40003



70013



70011



70026



70027



70030



70031



70033



10006



10007

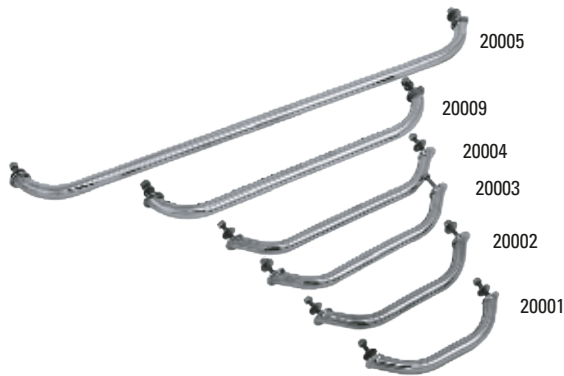
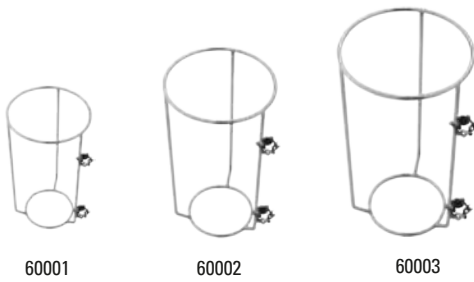


70045

Stainless Steel Lockable Fuel Cap

Cast 316 stainless steel lockable fuel cap, hand polished to a mirror finish

CHANDLERY AND ACCESSORIES



PART NO.	DESCRIPTION	SIZE - PART (L x W x D)	RRP Inc
10006	DIY weld-on double wire rod holder	suit T/S 39mm rods	\$17
10007	DIY weld-on cast half tube rod holder	suit T/S 40mm rods	\$54
20001	S/S Grab Rail 205mm	22mm	\$32
20002	S/S Grab Rail 250mm	22mm	\$35
20003	S/S Grab Rail 300mm	22mm	\$40
20004	S/S Grab Rail 350mm	22mm	\$45
20005	S/S Grab Rail 850mm	25mm	\$108
20006	S/S Grab Rail 1425mm - includes centre support leg	25mm	\$205
20009	S/S Grab Rail 500mm	22mm	\$68
40001	S/S cup holder with drain cut out	Cutout 90mm	\$30
40002	Small S/S polished snap hook	50mm	\$7
40003	Large S/S polished snap hook	70mm	\$9
40004	S/S cup holder without drain cut out	Cutout 73mm	\$21
60001	Small S/S fender basket	ID 170mm D190 x H380mm	\$145
60002	Medium S/S fender basket	ID 210mm D230 x H410mm	\$170
60003	Large S/S fender basket	ID 275mm D300 x H530mm	\$215
60004	S/S Boarding Ladder		\$87
60005	Telescopic 3 Step Fold Up Boarding Ladder	L860 x W285mm	\$160
60006	Telescopic S/S Boarding Ladder	L560 x W285mm	\$119
60007	S/S Anti rattle lift ring	L65 x W55mm	\$16
60008	S/S Anti rattle lift ring	L60 x W75mm	\$18
60028	Viper Low Profile Tinted Deck Hatch Lockable Inc Dual Struts & Stays	L570 x W570mm	\$899
70001	Small S/S hinges - pair	L25 x W25mm	\$31
70002	Medium S/S hinges - pair	L55 x W38mm	\$31
70003	Large S/S hinges - pair	L75 x W38mm	\$31
70004	Extra large S/S hinges - pair	L95 x W25mm	\$31
70005	Medium S/S bow U-bolt	L145 x W45 x 10mm	\$33
70006	Large S/S bow U-bolt	L160 x W60 x 12mm	\$44
70007	S/S split bollard	-	\$65
70008	6" S/S cleat	L150mm	\$28
70009	8" S/S cleat	L200mm	\$35
70010	Tube hinge and locking pin	25mm	\$44
70011	Tube end cap	25mm	\$14
70012	S/S polished barrel bolt	L95 x W40mm	\$26
70013	Fixed 25mm tube mounting bracket	50mm base	\$28
70020	Skin fitting	38mm	\$32
70021	Skin fitting	19mm	\$27
70024	Small S/S vent	L40 x W25mmmm	\$8
70025	Large S/S vent	L60 x W35mm	\$10
70026	Tube end cap - welding required	25mm	\$14
70027	Tube end cap - welding required	32mm	\$18
70028	Small S/S bow U-bolt	L120 x W45 x 10mm	\$31
70030	Angled deck fitting for bimini and M8 eye bolt	78 x 60mm	\$38
70031	S/S oval deck fitting for bimini and M8 eye bolt	82 x 55mm	\$38
70033	Flat deck fitting for bimini and M8 eye bolt	60 x 40mm	\$38
70034	Tube latch - suits 70010	25mm	\$32
70035	S/S swivel pulley	up to 8mm rope	\$14
70036	S/S swivel pulley	up to 4mm rope	\$9
70040	Plastic end cap for rod holders	D51mm	\$10
70041	Plastic rod tapered tube spacer	ID32mm	\$10
70042	Rubber rod holder insert with cap	30°	\$18
70044	Rubber rod holder insert with cap	0°	\$18
70046	Rail mount S/S wire cup holder	-	\$45
70047	Wall mount S/S wire cup holder	-	\$45
70051	Plastic rod holder/tube spacer	L32 x 32 mm (ID)	\$10

BERLEY BUCKETS CAGES AND ACCESSORIES



BERLEY BUCKETS

Removable Transom Mount Berley Bucket

- Fully height adjustable and removable for easy cleaning
 - Includes a Bell Marine 2-way mounting bracket for easy and tailored installation
 - Constructed from sturdy and hand polished S/S
- Packaging: L480 x W240 x H200mm



PART NO.	DESCRIPTION	RRP Inc
60012	H400 x D150mm	\$260

Height Adjustable Marlin Board Mount Berley Bucket

- Fully height adjustable
 - Berley bucket collar has no pre-drilled holes and is entirely customisable to your water level
 - Includes sturdy S/S bolts, washer and nylocks for easy installation
- Packaging: L480 x W240 x H200mm



PART NO.	DESCRIPTION	RRP Inc
60013	H400 x D150mm	\$240

D-Shaped Transom Mount Berley Bucket

- Specifically designed for tighter spaces
 - Ideal for twin outboard installations
 - Includes sturdy S/S bolts, washer and nylocks for easy installation
- Packaging: L480 x W240 x H200mm



PART NO.	DESCRIPTION	RRP Inc
60014	H400 x D185mm	\$191

BERLEY MUNCHER

S/S Berley Muncher

- Constructed with 316 marine grade S/S
 - Fitted with sharp teeth to produce a much finer berley
 - Fully welded, finished and hand polished
- Packaging: L780 x W150 x H150mm
Weight: 1kg



PART NO.	DESCRIPTION	RRP Inc
60015	L750 x W200mm	\$55

BERLEY CAGE

S/S Berley Cage

- Constructed with 316 marine grade S/S
- Available in 2 sizes with optional weights

PART NO.	DESCRIPTION	DIMENSIONS	RRP Inc
60009	Large	H300 x D130mm	\$75
60011	Small	H150 x D130mm	\$65
60010	Extra berley weights	1kg	\$19





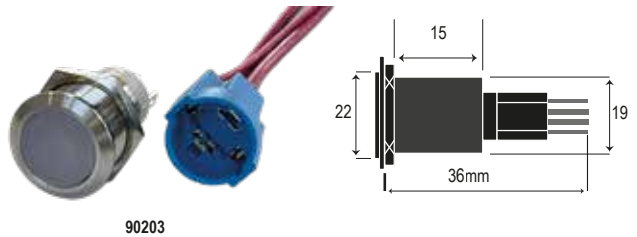
SWITCHES, PANELS AND ACCESSORIES

1 YR
WARRANTY

SLIMLINE SWITCHES & PANELS

Switches

- Specifically designed for marine use
- Streamline and slim in design suits compact dash spaces
- Mountable horizontally or vertically
- Faceplates and switches are constructed from 316 marine grade S/S for durability
- Hand polished to a mirror finish
- Come pre-wired with blue LED light rings
- Custom switch labelling is available upon request (POA)



90203

Features

- On/off actuation and momentary actuation
- Silver alloy contacts
- Blue indication LED
- Small 19mm mounting hole
- Pre-wired with laser inscribed labelling for easy installation
- Voltage: 9-24V
- Maximum current: 10amp

PART NO.	DESCRIPTION	RRP Inc
90203-20	Elite backlit on/off switch	\$35
90204-20	Elite backlit momentary switch	\$35



90222-20

90222-20CF

90232-20CF

Panels

PART NO.	DESCRIPTION	FACEPLATE DIMENSION	RRP Inc
90212-20	2 gang S/S - On/off	L62 x W90mm	\$109
90212-20CF	2 gang C/F - On/off	L62 x W90mm	\$109
90213-20	2 gang S/S - Momentary	L62 x W90mm	\$109
90213-20CF	2 gang C/F - Momentary	L62 x W90mm	\$109
90222-20	4 gang S/S Inline - On/off	L52 x W142mm	\$185
90222-20CF	4 gang C/F Inline - On/off	L52 x W142mm	\$185
90232-20	6 gang S/S Inline - On/off	L52 x W203mm	\$265
90232-20CF	6 gang C/F Inline - On/off	L52 x W203mm	\$265
90242-20	6 gang S/S side by side - On/off	L80 x W112mm	\$265
90242-20CF	6 gang C/F side by side - On/off	L80 x W112mm	\$265
90252-20	8 gang S/S side by side - On/off	L80 x W142mm	\$295
90252-20CF	8 gang C/F side by side - On/off	L80 x W142mm	\$295
90262-20	9 gang S/S side by side - On/off	L110 x W112mm	\$320
90262-20CF	9 gang C/F side by side - On/off	L110 x W112mm	\$320
90272-20	10 gang S/S side by side - On/off	L173 x W80mm	\$395
90272-20CF	10 gang C/F side by side - On/off	L173 x W80mm	\$395



90212-20 90213-20



90212-20CF 90213-20CF



90242-20



90242-20CF



90272-20



90272-20CF

Custom switch panel labelling available upon request.

Contact your dealer for more information

P/N 90126



SWITCHES, PANELS AND ACCESSORIES

SWITCH PANELS

Pre-Wired LED Switch Panels

- Constructed from heavy-duty ABS plastic
- Fitted with built-in circuit breakers which can easily be reset when needed
- Vibration, shock, thermo shock, moisture and saltwater resistant
- All switch panels are pre-wired for customisation
- Multiple amp options
- Switches are LED illuminated
- Includes a sturdy rubber seal, mounting screws and 24 sticker labels for easy installation
- Voltage: 12-24V



PART NO.	DESCRIPTION	CUT OUT SIZE (W X H)	OVERALL SIZE (W X H)
90025	4 gang - 1x5A, 2x10A, 1x15A	105 x 90mm	130 x 120mm
90026	6 gang - 2x5A, 2x10A, 2x15A	155 x 90mm	180 x 120mm
90027	8 gang - 2x5A, 3x10A, 3x15A	210 x 90mm	235 x 120mm

SWITCHES

Modular LED Marine Switches

- Perfect for customising your own switch panels
- Can be used individually or grouped together to suit your space

PART NO.	DESCRIPTION	RRP Inc
90018	On/off LED marine rocker switch	\$11
90019	On/off momentary LED marine rocker switch	\$11
90020	On/off/on LED marine rocker switch	\$11
90021	On/off/on momentary LED marine rocker switch	\$11
90022	Modular end switch housing - both sides	\$6
90023	Modular middle switch housing only	\$6
90024	Modular stand-alone switch housing	\$6
90123	4 gang S/S modular switch face plate	\$21
90124	6 gang S/S modular switch face plate	\$24
90125	8 gang S/S modular switch face plate	\$27



SWITCH COVERS

Modular LED Illuminated Switch Covers

- Perfect for a customised look tailored to your dash
- Comes with tools to change covers for easy to installation



PART NO.	DESCRIPTION	RRP Inc
90046-90059	Illuminated switch cover	\$8

STICKER KITS

Heavy Duty Switch Sticker Kits

- UV stabilised for durability
- Available in 19mm round or 12mm square sizes to suit your dash

PART NO.	DESCRIPTION	RRP Inc
90032	12mm square	\$14
90033	19mm round	\$16



SWITCHES, PANELS AND ACCESSORIES

USB CHARGER

Marine Flush Mount Dual USB Charger

- Perfect for charging your smartphone, tablet, GoPro or camera on the go
- Flush mount for a seamless fit to your dash
- Includes connectors and mounting screws for easy installation



PART NO.	DESCRIPTION	RRP Inc
90045	USB charge	\$30

STUD BUSBAR

Stainless Steel Marine Dual Stud Busbar

- Ideal for under-dash use
- Constructed from 316 marine grade S/S for strength
- Fully insulated featuring 8mm studs
- Slimline design suits tight spaces or for extending outboard motor cables
- Stud height: 37mm



PART NO.	DESCRIPTION	RRP Inc
90064	S/S busbar	\$20

LIGHTS

LED Deck Light

- Made from Diecast Aluminium and stainless steel mounting bracket. Powder coated white.
- Lifespan 30,000 hours
- 20W CREE LED Globes
- IP67 Waterproof
- Designed for Marine Use
- Low Battery Consumption

PART NO.	DESCRIPTION	SIZE	RRP Inc
90009	20W LED Deck White	95 W x 60 H 75 D (mm)	\$33



FUSE HOLDER

Marine Blade Fuse Holders

- Specifically designed for marine use
- Easily tailored to any battery management system in your vessel
- LED broken indicator light for quick fuse fault identification
- Comes equipped with a clear removable clip-on cover for added protection

PART NO.	DESCRIPTION	RRP Inc
90114	4 gang	\$21
90115	6 gang	\$27
90116	10 gang	\$35
90140	6 gang - Heavy Duty	\$30
90141	12 gang - Heavy Duty	\$44



90114



90115



90116



90140



90141

Waterproof Inline Blade Fuse Holder

- Heavy-duty waterproof design for durability
- Includes transparent orange sealed cap that locks closed with a mounting tab for easy installation
- Suitable for a single standard blade fuse up to 30amp

PART NO.	DESCRIPTION	RRP Inc
90103	Inline blade fuse holder	\$14



WORKSHOP SERVICE KITS & REFILL PACKS



SERVICE KITS

Glue Lined Tinned Copper Terminal Service Kit



PART NO.	DESCRIPTION	RRP Inc
90105	620 piece service kit	\$320

Refill Packs

PART NO.	DESCRIPTION	SIZE	COLOUR	# OF PCS	RRP Inc
90078	Female blade terminal	2.5-3mm	Red	40	\$20
90079	Female blade terminal	4mm	Blue	40	\$21
90080	Female blade terminal	6-8mm	Yellow	40	\$24
90081	Cable joiner	2.5-3mm	Red	40	\$20
90082	Cable joiner	4mm	Blue	40	\$21
90083	Cable joiner	6-8mm	Yellow	30	\$19
90084	Ring terminal	3.5mm	Red	40	\$20
90085	Ring terminal	10mm	Red	30	\$16
90086	Ring terminal	6mm	Red	40	\$20
90087	Ring terminal	8mm	Red	40	\$20
90088	Ring terminal	3.5mm	Blue	40	\$21
90089	Ring terminal	10mm	Blue	30	\$17
90090	Ring terminal	6mm	Blue	40	\$21
90091	Ring terminal	8mm	Blue	40	\$21
90092	Ring terminal	6mm	Yellow	30	\$17
90093	Ring terminal	8mm	Yellow	30	\$17
90094	Ring terminal	10mm	Yellow	30	\$21

Deluxe Tinned Copper Lug Service Kit



PART NO.	DESCRIPTION	RRP Inc
90104	225 piece service kit	\$352

Refill Packs

PART NO.	DESCRIPTION	SIZE	# OF PCS	RRP Inc
90065	Cable joiners	M35	20	\$33
90066	Cable joiners	M25	20	\$30
90067	Cable joiners	M16	30	\$35
90068	Cable joiners	M10	30	\$32
90070	Lug	35-8mm	15	\$32
90071	Lug	25-10mm	20	\$33
90072	Lug	25-8mm	20	\$33
90073	Lug	25-6mm	20	\$30
90074	Lug	16-8mm	25	\$33
90077	Lug	10-6mm	25	\$30



WORKSHOP SERVICE KITS & REFILLS

Stop bumping your head and fumbling around in the dark, looking for blown fuses under your cramped dash. The Viper Pro Series LED indicator fuse will illuminate when blown, making it easily identifiable. This allows you to replace it immediately without having to remove every fuse, ensuring you can get on with your boating and fishing. Available in numerous sizes and colour coded for convenience.

LED Indicator Blade Fuse Kit

- Refills are available in numerous sizes and colour coded for your convenience
- Kit includes two P/N 90103 Inline fuse holders



PART NO.	DESCRIPTION	RRP Inc
90117	242 piece service kit	\$352
90103	Waterproof in-line blade fuse holder - transparent orange	\$14

Refill Packs

PART NO.	DESCRIPTION	COLOUR	# OF PCS	RRP Inc
90095	3amp	Purple	30	\$44
90096	5amp	Orange	30	\$44
90097	7.5amp	Brown	30	\$44
90098	10amp	Red	30	\$44
90099	15amp	Blue	30	\$44
90100	20amp	Yellow	30	\$44
90101	25amp	Clear	30	\$44
90102	30amp	Green	30	\$44

HOSING & TUBING

PP Flexible Split Conduit Tubing

- UV and chemical resistant flexible split polypropylene conduit tubing
- Ideal for marine applications
- Suitable operating temperature: -20°C - 90°C
- Sold by the metre



PART NO.	DESCRIPTION	RRP Inc
90118	13mm	\$4
90119	25mm	\$5

MARINE CIRCUIT BREAKERS



Optional Cover
90042

HT-01A 3 to 30AMP circuit breakers
125/250V AC 32V DC 50/60HZ CE approved
2 pole
28mmW x 35mmH x 14mmD

Does not include waterproof reset button cover

PART NO.	DESCRIPTION	RRP Inc
90041	3amp Circuit Breaker	\$8
90028	5amp Circuit Breaker	\$8
90029	10amp Circuit Breaker	\$8
90030	15amp Circuit Breaker	\$8
90031	20amp Circuit Breaker	\$8
90040	30amp Circuit Breaker	\$8
90042	Circuit Breaker Cover	\$6

WORLD-CLASS STAINLESS STEEL CHANDLERY AND PERFORMANCE BOATING ACCESSORIES

AUTHORISED BELL MARINE SELLER



www.bellmarine.com.au

Tel: (+61) 3 9708 2846 | Fax: (+61) 3 9708 2845

Email: sales@bellmarine.com.au

Factory 1, 2 Network Drive, Carrum Downs, VIC, Australia, 3201

