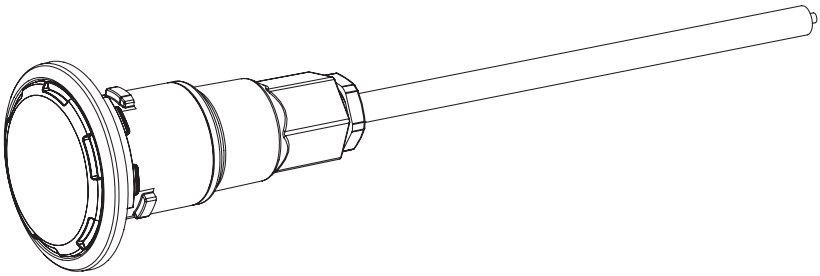




MICROBRITE™
COLOR AND WHITE LED LIGHT
FOR POOL AND SPA



INSTALLATION
AND
USER'S GUIDE

IMPORTANT SAFETY INSTRUCTIONS
READ AND FOLLOW ALL INSTRUCTIONS
SAVE THESE INSTRUCTIONS

Technical Support

Phone: (800) 831-7133 - Fax: (800) 284-4151

Web sites: www.pentairpool.com and www.staritepool.com:

Contents

IMPORTANT WARNING AND SAFETY INSTRUCTIONS.....	iii
MicroBrite Color and White Pool Light Overview	1
Operating MicroBrite Lights Using a Wall Switch	1
Operating MicroBrite Lights Using an Automation System	1
Using and External Transformer for Multiple 12 VAC MicroBrite	1
Maximum Wattage Using Multiple Color or White Lights (with a 300 Watt Isolation Transformer)	1
Operating MicroBrite Color Lights Using a Wall Switch.....	2
Powering on the MicroBrite Color Lights	2
Selecting a MicroBrite Light Color and Show Modes or Fixed Color using a Wall Switch	3
Saving a Color Mode or Fixed Color	3
MicroBrite White Light	3
Power on the MicroBrite White Light.....	3
Selecting a MicroBrite White Light Brightness Level using a Wall Switch...	3
Selecting a MicroBrite Color Light Show Mode	
Using an IntelliBrite Controller	4
MicroBrite Light Installation (1.5" Wall Fittings, New Pool - USA).....	5
MicroBrite Light Installation (1.5" Wall Fittings, New Pool - Canada).....	6
WET CONDUIT INSTALLATION	7
MicroBrite Light Compatible Wall Fittings Table	7
DRY/SEALED CONDUIT INSTALLATION (USE PROVIDED KIT)	10
Fiber Optic Retrofit Applications	11
MicroBrite Color and White Light Wiring Installation	11
Replacing the MicroBrite Light Assembly (in an existing pool or spa)	13
Connecting MicroBrite Lights to EasyTouch/IntelliTouch Load Center	15
Setting up MicroBrite Lights with EasyTouch/IntelliTouch Automation System.....	16
Wiring MicroBrite Lights to IntelliBrite Controller and 300 W Transformer.....	20
Troubleshooting (MicroBrite Lights / IntelliBrite Controller)	20
MicroBrite Color and White Lights Parts List	21
MicroBrite Color and White Lights Replacement Kits	21
MicroBrite Color and White Light Dimensions	22

READ AND FOLLOW ALL INSTRUCTIONS IN THIS MANUAL

IMPORTANT WARNING AND SAFETY INSTRUCTIONS



SERIOUS BODILY INJURY OR DEATH CAN RESULT IF THIS LIGHT IS NOT INSTALLED AND USED CORRECTLY.



INSTALLERS, POOL OPERATORS AND POOL OWNERS MUST READ THESE WARNINGS AND ALL INSTRUCTIONS BEFORE USING THE POOL AND/OR SPA LIGHT.



Most states and local codes regulate the construction, installation, and operation of public pools and spas, and the construction of residential pools and spas. It is important to comply with these codes, many of which directly regulate the installation and use of this product. Consult your local building and health codes for more information.



IMPORTANT NOTICE - Attention Installer: This Installation and User's Guide ("Guide") contains important information about the installation, operation and safe use of this underwater pool and spa light. This Guide should be given to the owner and/or operator of this equipment.



Before installing this product, read and follow all warning notices and instructions in this Guide. Failure to follow warnings and instructions can result in severe injury, death, or property damage. Call (800) 831-7133 for additional free copies of these instructions. Please refer to www.pentairpool.com for more information related to this products.



RISK OF ELECTRICAL SHOCK OR ELECTROCUTION: UNDERWATER POOL LIGHTS REQUIRE HIGH VOLTAGE WHICH CAN SHOCK, BURN, OR CAUSE DEATH.



Before working or servicing pool lights, always disconnect power to the pool and/or spa lights at the source circuit breaker. Failure to do so could result in death or serious injury to service person, pool users or others due to electric shock. When installing and using this electrical equipment, basic safety precautions should always be followed.

This product must be installed by a licensed or certified electrician or a qualified pool professional in accordance with the current National Electrical Code (NEC), NFPA 70 or the Canadian Electrical Code (CEC), CSA C22.1. All applicable local installation codes and ordinances must also be adhered to. Improper installation will create an electrical hazard which could result in death or serious injury to pool users, installers or others due to electrical shock, and may also cause damage to power source. Always disconnect the power to the pool light at the circuit breaker before installing or removing the light. Failure to do so could result in death or serious injury.



For countries in compliance with International Electrotechnical Commission (IEC) regulatory standards:

The light fixture must be installed by a licensed or certified electrician or a qualified pool service person, in accordance with current IEC 364-7-702 and all applicable local codes and ordinance. Improper installation will create an electrical hazard, which could result in death or serious injury to pool user, installer or other due to electrical shock and may also cause damage to the property.

IMPORTANT WARNING AND SAFETY INSTRUCTIONS

INSTALLERS AND INSPECTORS

THE MICROBRITE™ COLOR AND WHITE LED LIGHT AND WALL FITTING FORM A COMPLETE NON-METALLIC LOW VOLTAGE LIGHTING SYSTEM. THIS CONFIGURATION DOES NOT REQUIRE BONDING OR GROUNDING WHEN POWERED BY A POOL RATED ISOLATION 100 WATT OR 300 WATT TRANSFORMER (LISTED ON PAGE 1) AND INSTALLED IN COMPLIANCE WITH THE CURRENT NATIONAL ELECTRIC CODE (NEC).

UNBONDED LIGHTING NEC PROVISIONS: When the UL listed non-metallic MicroBrite Light low voltage lights are used. The current NEC provides an exception to luminaire bonding and grounding in Article 680.6 and 680.23
POOL WATER BONDING NEC PROVISIONS : For Pool Water Bonding required by NEC Article 680.26C, concrete pools are considered conductive (refer to 680.26 (b)(1) due to the porosity of concrete and the bonding of rebar. No additional bonding is required.

POOL AND SPA FIXED LUMINARIES: Follow these guidelines when installing or replacing Pentair Water Pool and Spa fixed luminaries:

FOR LIGHT OPERATION, ONLY USE A SAFETY ISOLATION TRANSFORMER.

Note: Connect both wires to the corresponding circuit wires in the Junction Box (black wire to power, and white wire to common) **FIXED POOL AND SPA LUMINARIES SPECIFICATION: 12 VAC 50/60 Hz.**

IMPORTANT NOTICE: THE MICROBRITE COLOR AND WHITE LED LIGHT IS A NON-SERVICEABLE LIGHT. THE COMPLETE LIGHT ASSEMBLY MUST BE REPLACED.

⚠ CAUTION - DO NOT INSTALL MICROBRITE COLOR AND WHITE LED LIGHTS WITH DIMMER SWITCHES. USE OF DIMMER SWITCHES WILL RESULT IN PERMANENT DAMAGE TO THE LIGHT.

MicroBrite™ Color and White LED Lights are UL Approved to be installed in a vertical position (facing up). Vertical light installation must be installed minimum 4 inches below water level.

Vertical Light installations are recommended only in non-occupant areas of the pool (e.g. up-lighting a vanishing edge overspill).

MicroBrite™ Color and White LED Light Overview

This manual describes how to install, replace and operate the 12 VAC MicroBrite Color and White Light for pool and spa. The MicroBrite Color light provides brilliant vivid multi-colors with spectacular effects for your pool. Choose one of the seven pre-programmed color light shows or select one of the five fixed colors to create virtually endless range of dramatic underwater lighting effects for a spectacular effect in your pool and spa. The 12 VAC MicroBrite White Light features three different brightness levels. For more information see page 2.

Operating MicroBrite Lights Using a Wall Switch

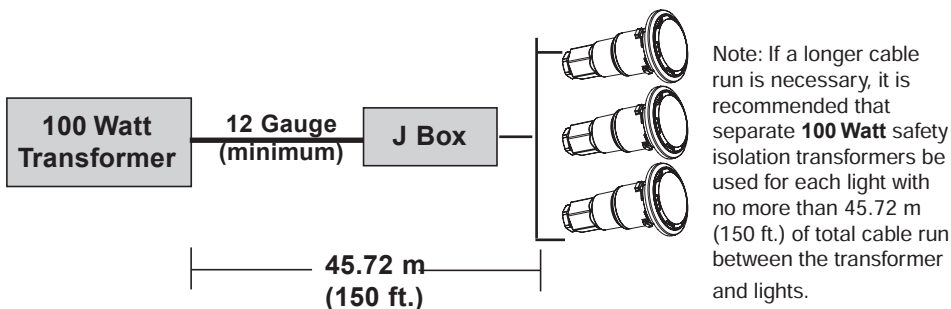
The MicroBrite light can be manually controlled using a standard wall-mount light switch. Multiple MicroBrite lights can be connected via a junction box and a 12 VAC isolation transformer to a single switch so that all lights can be switched on and off together. For wiring diagram, see page 15.

Operating MicroBrite Lights Using an Automation System

MicroBrite color lights can also be automatically controlled using the Pentair IntelliTouch® and EasyTouch® Control System. For more information refer to the IntelliTouch Control System User's Guide (P/N 521075), EasyTouch Control System User's Guide (P/N 521044), and IntelliBrite 5G Light User's Guide (P/N 619921).

Using an External Safety Isolation Transformer for Multiple 12 VAC MicroBrite Lights

When using multiple MicroBrite 12 VAC lights on a **100 Watt** safety isolation transformer, it is recommended that no more than six (6) MicroBrite color lights be used. For long cable lengths for each light, it is recommended not to exceed 45.72 m (150 ft.) of total cable run between the 12 VAC isolation transformer and the MicroBrite Color and/or White light.



Maximum Wattage Using Multiple Color or White lights (with a 300 Watt Isolation Transformer)

IMPORTANT! When using multiple 12 VAC Pentair pool and spa lights the total allowable light wattage is 300 Watts maximum and should not exceed 80% of rated value. The individual light wattage is as follows:

- One MicroBrite Color Pool LED light is 12 Watts maximum
- One MicroBrite White Pool LED light is 12 Watts maximum
- One AmerBrite® White (500W) pool light is 51 Watts maximum
- One AmerBrite White (400W) pool light is 44 Watts maximum
- One AmerBrite White (300W) pool light is 36 Watts maximum
- One AmerBrite Color pool light is 36 Watts maximum
- One IntelliBrite® Color pool LED light is 30 Watts maximum
- One IntelliBrite Color spa LED light is 18 Watts maximum

Operating MicroBrite™ Color LED Light using a Wall Switch

MicroBrite Color Lights can be controlled using a standard wall-mount light switch (or by the IntelliBrite® Controller, see page 4). Multiple MicroBrite color lights can be connected via a junction box and a 12 VAC transformer to a single switch so that all lights can be switched on and off together. MicroBrite color lights are controlled by cycling AC power to the 12 VAC transformer from a standard wall switch. By turning the switch on and off a specific number of times, the light activates one of the seven light show modes, fixed colors, or enables the "Hold" and "Recall" feature.

Powering on the MicroBrite Color Lights

When the MicroBrite color light is powered on, the previously selected color is displayed, unless the HOLD or RECALL feature was previously enabled.

Note: If power to the light is off for more than five (5) seconds, the last color show mode or fixed color that was saved will be displayed.

Selecting a MicroBrite Color Light Show Mode or Fixed Color using a Wall Switch

MicroBrite color lights are compatible with IntelliBrite® Color Light shows and can be synchronized with IntelliBrite color lights.

First switch power on to the light. A white light will momentarily illuminate, followed by the previously selected color. To select a color show mode (1-7) or fixed color (8-12), turn the wall switch off/on a specific number of times. Each number (1-12) shown below corresponds to the number of times to power-cycle the switch to activate a color light show or fixed color. For details about saving color effects while in "show" modes, see "Hold" and "Recall" feature on page 4.

- | | | |
|---------------------------------------|----|--|
| Number of times to cycle power (1-14) | 1 | SAM Mode: Cycles through white, magenta, blue and green colors (emulates the Pentair SAM color changing light). |
| | 2 | Party Mode: Rapid color changing building energy and excitement. |
| | 3 | Romance Mode: Slow color transitions creating a mesmerizing and calming effect. |
| | 4 | Caribbean Mode: Transitions between a variety of blues and greens. |
| | 5 | American Mode: Patriotic red, white and blue transition. |
| | 6 | California Sunset Mode: Dramatic transitions of orange, red and magenta tones. |
| | 7 | Royal Mode: Richer, deeper color tones. |
| | 8 | Blue: Fixed color. |
| | 9 | Green: Fixed color. |
| | 10 | Red: Fixed color. |
| | 11 | White: Fixed color. |
| | 12 | Magenta: Fixed color. |
| | 13 | Hold: Save the current color effect during a color light show. |
| | 14 | Recall: Activate the last saved color effect. |

Example: To select **California Sunset Mode**; turn the switch on, then off and on six (6) times. During the off/on switching process, no illumination will occur, then a white light will momentarily illuminate.

⚠ WARNING During the off/on switching process, before the selected color is displayed, no illumination will occur. This operating mode is normal during the switching process. During this period the pool and spa will be dark and precautions should be taken to avoid unforeseen accidents. Failure to observe this warning may result in serious injury or death to pool and spa users.

Saving a Color Mode or Fixed Color

When power is switched off to the MicroBrite™ Color Lights, the last color show mode or fixed color will be saved. The next time the light is powered on, the previously saved color show mode or fixed color will be displayed. For example, while in "Party Mode" switch the light off. Wait more than five (5) seconds, switch the light back on to resume Party Mode.

MicroBrite White Light

MicroBrite White Lights can be controlled using a standard wall-mount light switch. Multiple MicroBrite white lights can be connected via a junction box and a 12 VAC transformer to a single switch so that all lights can be switched on and off together. MicroBrite White lights are controlled by cycling AC power to the 12 VAC transformer from a standard wall switch. By turning the switch on and off a specific number of times, you can choose from one of three brightness levels.

Powering on the MicroBrite White Light

Note: The MicroBrite White light ships from the factory in the 100% brightness mode.

When the MicroBrite White light is powered on, it defaults to the previously selected brightness level. **Note:** If power to the light is off for more than five (5) seconds, the last brightness level that was saved will be displayed.

Selecting a MicroBrite White Light Brightness Level using a Wall Switch

MicroBrite White lights allow you to choose from one of three brightness levels (100%, 75% and 50%). Whenever the MicroBrite white light is turned on, it starts at its highest brightness level (100%). Unless it was previously set to the medium (75%) or low brightness level (50%).

NOTE: MicroBrite Color models are not equipped with dimming functionality. Only MicroBrite White lights have dimming functionality.

To select one of the three brightness levels (100%, 75% and 50%) first power on the lights, then by rapidly cycling the light switch OFF and ON a specified number of times, you can select the desired light brightness level.

Selecting the light's brightness levels is as follows:

- **100% Brightness:** Switching the lights **OFF** then rapidly back **ON**, will set the lights to 100% brightness.
- **75% Brightness:** Switch **OFF-ON-OFF-ON** and the lights will come on at 100% then dim to 75% after 1 second.
- **50% Brightness:** Switch **OFF-ON-OFF-ON-OFF-ON** and the lights will come on at 100%, dim to 75% after one second and then dim to 50% after another second.

Selecting Color and Show Modes using an IntelliBrite® Controller

The MicroBrite Color light can be controlled with the IntelliBrite Controller (p/n 600054, sold separately). The IntelliBrite® Controller provides complete control of your MicroBrite color lights. Just dial in any one of the pre-programmed color light shows or fixed colors. The IntelliBrite Controller can be connected to individual or multiple 12 VAC transformers (300W maximum) to control MicroBrite color lights. The IntelliBrite Controller can also control multiple MicroBrite and IntelliBrite lights. Note: For IntelliBrite controller wiring instructions, see page 19.

Using the IntelliBrite Controller: MicroBrite color lights are compatible with IntelliBrite colors and shows and can be synchronized with IntelliBrite color lights and landscape lights. To select a color light show mode or fixed color mode, rotate the dial so that it points to the desired selection. The color mode selections start in a clockwise direction from the 9 o'clock position.

Hold and Recall Feature

Hold button/LED: Press this button (LED on) to capture and save a color effect while displaying one of the light show modes. When the button is pressed, the LED will be on, indicating that the color effect is captured.

Recall Button/LED: Use this button (LED on) to activate the last saved color effect. When the button is pressed, the LED will be on, indicating that the color effect is being displayed.



MICROBRITE™ COLOR AND WHITE LED LIGHT INSTALLATION IN 1.5" WALL FITTING

The following describes how to install the MicroBrite Light in a 1-1/2" wall fitting. Note: MicroBrite lights are UL compliant for horizontal and vertical installation.

BEFORE STARTING: The following information describes the tasks that must be completed by the electrician before the light wall fitting is installed. See Figure 1 on page 7.

⚠ WARNING

Be sure that the pool or spa meets the requirements of the current National Electrical Code (N.E.C.) Article 680-22 and all local codes and ordinances. A licensed or certified electrician must install the electrical system to meet or exceed those requirements before the underwater light is installed. Some of the requirements of the National Electrical Code which the pool's electrical system must meet are as follows:

- The Junction Box and the low voltage transformer is located at least 4 (four) inches (10.16 cm) above ground level or eight (8) inches (20.3 cm) above maximum water level, whichever is higher. The Junction Box must be at least 48 inches (1.22 m) from the edge of the pool. See Figure 2 on page 8.
- To be certain that the pool or spa electrical system meets all applicable requirements, the electrician should also consult the local building department.

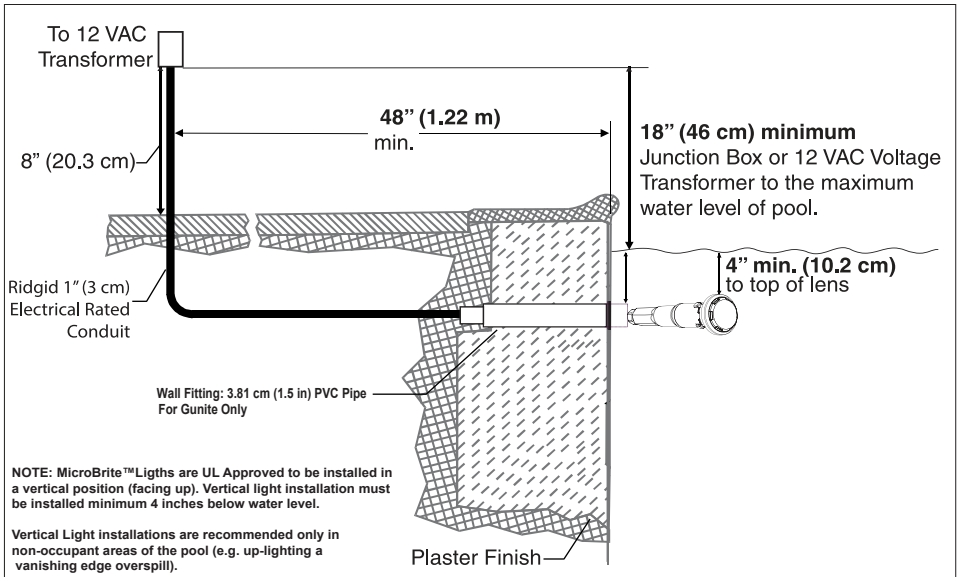


Figure 1.

NOTE: SEE PAGE 21 FOR LIGHT DIMENSIONS.

MICROBRITE™ COLOR AND WHITE LED LIGHT INSTALLATION IN 1.5" WALL FITTING CANADA

⚠ WARNING

Be sure the electrical system of your pool conforms with the following requirements of the Canadian Electrical Code (CE), and all local codes and ordinances. A licensed or certified electrician must install the electrical system to meet or exceed those requirements before the light and (fixture-housing) is installed. Some of the CE requirements are listed below.

- The junction/deck box must be sealed to the conduit to prevent water from getting into the box, see Figure 2, below.

The following information is for the Junction Box and pool deck location for Canada only. Junction/Deck boxes shall be installed:

- above the normal water level of the pool;
- so that the top of the box is located at or above the finished level of the pool deck;
- in such a manner or location that the box will not be an obstacle; and
- in such a manner that any water on the deck will drain away from the box
(See diagram below).

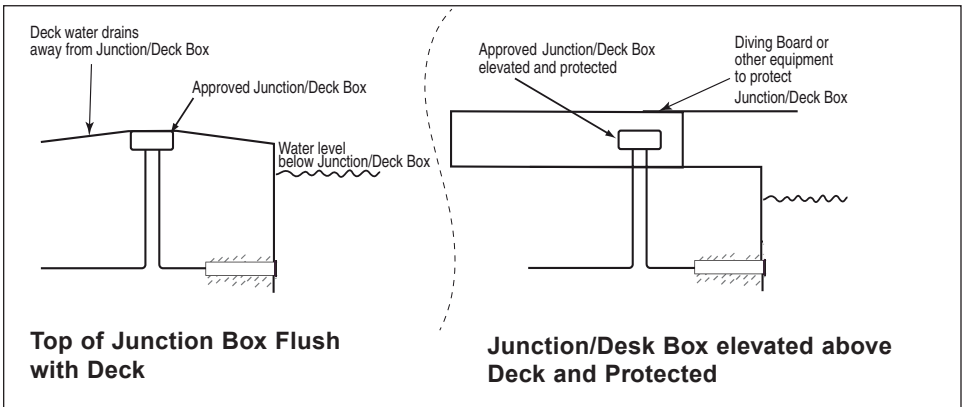


Figure 2, Canada.

MicroBrite™ Color and White LED Light Installation

Compatible Wall Fittings

Part No	Description	Part No.	Description
86205100	Pentair	SP1022	Hayward™
542429	Pentair	215-9170B	WaterWay®
542402	Pentair	400-9150B	WaterWay
542414	Pentair	215-9890B	WaterWay
86205100	Pentair	400-9170B	WaterWay
542405	Pentair	CMP25550001060	CMP
542404	Pentair	CMP25522100000	CMP
		CMP25550000000	CMP

The MicroBrite light adaptor allows the mounting of the MicroBrite Light in the 1-1/2" return fitting. Refer to the Compatible MicroBrite Light Wall Fittings table above.

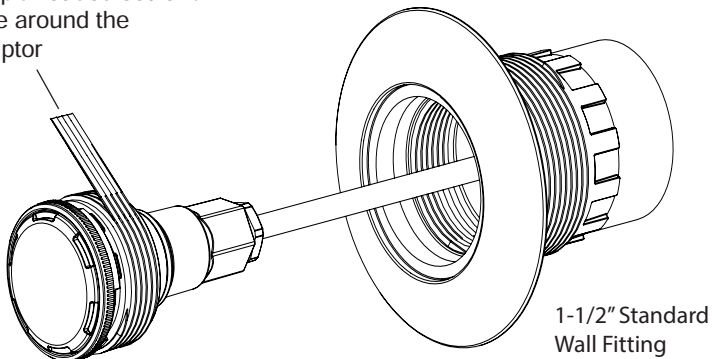
FOR FIBER OPTIC RETROFIT APPLICATIONS SEE PAGE 11.

WET CONDUIT INSTALLATION

Note: MicroBrite lights are shipped from the factory with the white threaded adaptor ring pre-installed onto the body of the light. The male threads on the white threaded adaptor ring allow the light to be threaded into the female threads of most 1-1/2" (1.5") pool wall return fittings. To install the MicroBrite Light wall fitting into a concrete/gunite pool:

1. To install a MicroBrite Light, route the MicroBrite light power cord light cable through the 1.5" wall fitting to the location of the 12 VAC pool transformer or junction box.
2. Wrap plumber's thread sealant tape around the male threads on the white threaded adaptor ring on the light.
3. Pull the MicroBrite power cord through the conduit so there is approximately three to six inches of visible cord between the body of the MicroBrite light and the wall fitting.

Wrap threaded sealant tape around the adaptor

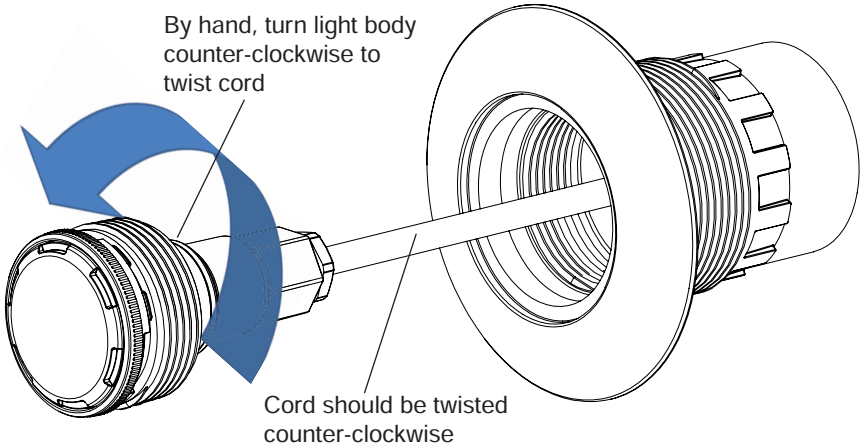


Continue to Step 4 on next page.

WET CONDUIT INSTALLATION (Continued)

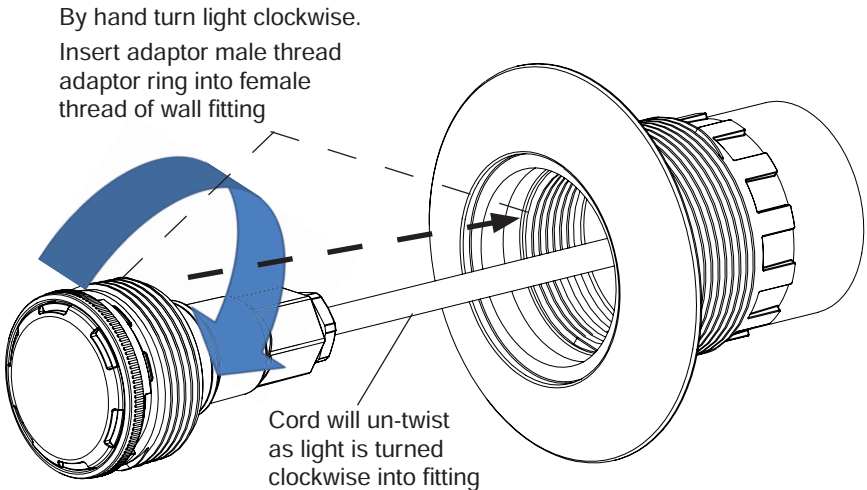
- With the MicroBrite light in your hands, roll the body of the light several turns counter-clockwise, so that the cord of the MicroBrite light receives several "pre-twists" in a counter-clockwise direction. **Read Step 5 before continuing with Step 6.**
- Dry/Sealed Conduit Installation (use provided kit), see page 10: If code requires an O-Ring to be installed on the light for a dry conduit installation, install the O-Ring as described on page 10, then continue with Step 6 below.**

BEFORE INSTALLATION



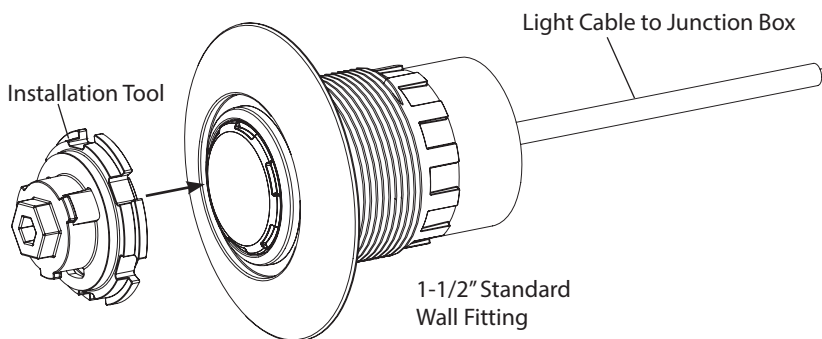
- Insert the MicroBrite light into the 1.5" wall fitting. By hand start the process of threading the male threads on the MicroBrite's white threaded adaptor ring into the female threads of the wall fitting.

DURING INSTALLATION



WET CONDUIT INSTALLATION (Continued)

7. Place Microbrite light installation tool (P/N 620459) over the front of the light while turning the tool and light clockwise.
Note: If the light does not turn smoothly, pull the light slightly out and be sure that it's seated properly and the wall fitting is free of debris, then reinstall the light.
8. Turn the light clockwise while threading it into the wall fitting to un-twist the power cord.
9. Turn the light clockwise (approximately 5 turns) so that it is threaded tightly into the wall fitting.
10. **Note: Once the light is tightly installed remove the tool be sure the light cannot be unscrewed using your fingers. The light should be secured in place so that it can only be removed by using the light installation tool.**

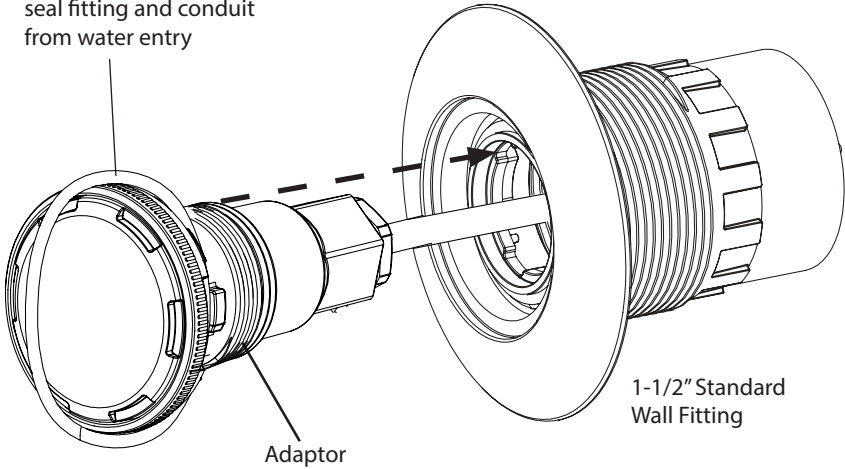


Continue to Light Wiring Installation on page 11.

DRY/SEALED CONDUIT INSTALLATION (USE PROVIDED KIT)

1. **Note: The the pool water level must be below the level of the 1.5" return fitting where the MicroBrite will be installed.**
2. Follow the Wet Conduit Installation Steps 1-10 as described on page 7, 8 and 9. **At Step 4, be sure to install the Optional O-Ring onto the back of the MicroBrite light.**
3. Pull the O-Ring over the front of the light lens and place it behind the lens body.
4. Apply the provided lubricant on the O-Ring.
5. By hand, press the light body into the wall fitting until the O-Ring is seated inside the wall fitting.
6. Resume the installation process at Step 6 (see page 8).

Install O-Ring then apply provided lubricant to seal fitting and conduit from water entry



FIBER OPTIC RETROFIT APPLICATIONS

The MicroBrite™ Light may be suitable for many fiber optic retrofit applications.

IMPORTANT:

1. Before proceeding with the fiber optic retrofit installation, verify that the MicroBrite light fits properly before removing the fiber optic system.
2. Refer to the MicroBrite light dimensional drawings on page 21.
3. Read all instructions to verify that all of the 1.5" fittings in the pool have suitable dimensions to allow the MicroBrite light to fit properly.
4. Be sure the conduit that was previously utilized as housing for the fiber optic cables meets all applicable codes and regulations that apply to electrical conduit in swimming pool applications.

MicroBrite™ Color and White LED Light Wiring Installation

To connect the MicroBrite Light to the transformer or junction box:

1. Route the MicroBrite light power cord light cable through the wall fitting to the location of the 12 VAC pool transformer or junction box.
2. At the 12 VAC transformer or junction box, cut off any extra cord. Leave at least 15.2 cm (6 in) of cord in the Junction Box or transformer to facilitate the light installation wall fitting inspection. Cut off any extra cord. See Figure 1 on page 5, for junction box installation for USA, see Figure 2 on page 6 for junction box installation in Canada.
3. Connect the two (2) conductors to the corresponding circuit wires in the Junction Box. Secure the Junction Box cover.

Note: When using longer runs of cables or multiple lights per transformer, it is recommended to use the 13 VAC or 14 VAC tap on the transformer.

4. Before operating the MicroBrite light, fill the pool with water until the light is completely submerged.

Note: *The MicroBrite color light should not be powered for more than 30 seconds if is not submerged in water.*

- 5 **Final check for proper MicroBrite light operation:**

Switch on the main switch or circuit breaker to the 12 VAC transformer and the switch that operates the MicroBrite light itself. The light should illuminate when the 12 VAC power is applied. If not recheck the installation steps.

REPLACING THE MICROBRITE™ COLOR AND WHITE LED LIGHT ASSEMBLY (IN AN EXISTING POOL OR SPA)

⚠ DANGER



Risk of Electrical Shock or Electrocution!

This underwater light must be installed by a licensed or certified electrician or a qualified pool professional in accordance with the current National Electrical Code (NEC), NFPA 70 or the Canadian Electrical Code (CEC), CSA C22.1 and all applicable local codes and ordinances. Improper installation will create an electrical hazard which could result in death or serious injury to pool users, installers or others due to electrical shock, and may also cause damage to property.

Always disconnect the power to the pool light at the circuit breaker before servicing the light. Failure to do so could result in death or serious injury to service person, pool users or others due to electrical shock.

IMPORTANT NOTICE: THE MICROBRITE COLOR AND WHITE LED LIGHT IS A NON-SERVICEABLE LIGHT. THE COMPLETE LIGHT ASSEMBLY MUST BE REPLACED.

⚠ WARNING

Verify that the pool and spa meets the requirements of the current National Electrical Code and all local codes and ordinances. A licensed or certified electrician must install the electrical system to meet or exceed those requirements before the underwater light is installed. Some of the requirements of the National Electrical Code which the pool's electrical system must meet are as follows:

- The Junction Box and the low voltage transformer is located at least 4 (four) inches (10.16 cm) above ground level or eight (8) inches (20.3 cm) above maximum water level, whichever is higher. The Junction Box must be at least 48 inches (123 cm) from the edge of the pool. See Figure 1 on page 8.
- The MicroBrite light wall fitting must be properly installed so that the top edge of the lens of the MicroBrite light is at least 4 inches (10.16 cm) below (not more than 48 inches (123.cm) below in Canada) the surface of the water in the pool or spa. See Figure 1 on page 8.
- To be certain that the pool or spa electrical system meets all applicable requirements, the electrician should also consult the local building department.

**IMPORTANT NOTICE:
THE MICROBRITE™ COLOR AND WHITE LED LIGHT IS A
NON-SERVICEABLE LIGHT. THE COMPLETE LIGHT ASSEMBLY**

The following removal and installation instructions describe how to remove and install the MicroBrite light assembly.

**IMPORTANT NOTICE: THE MICROBRITE LIGHT IS A
NON-SERVICEABLE LIGHT. THE COMPLETE LIGHT ASSEMBLY
MUST BE REPLACED.**

⚠ WARNING

Failure to bring the pool or spa's electrical system up to code requirements before installing the underwater light will create an electrical hazard which could result in death or serious injury to pool users, installers, or others due to electrical shock, and may also cause damage to property.

1. **Switch off electrical switch or circuit breaker at the source,**
2. Remove Junction Box or Transformer cover. Disconnect the light wires and attach a fish tape to the existing light power cord. *This will assist in pulling the replacement light power cord through the conduit back to the junction box.*
3. **Remove the MicroBrite light assembly from the pool or spa water:** Using the provided installation tool (P/N 620458), rotate the light assembly counter-clockwise 1/8 of a turn to release the light from the wall fitting.
4. Slowly pull the light and attached power cord (with attached fish tape) out of the wall fitting. Pull the light's power cord and fish tape out of the wall fitting and place the light on the deck.
5. Attach the new light power cord to the fish tape and carefully feed the fish tape and cable to the junction box.
6. **Install the light into the wall fitting:** See page 7 -10 for light installation instructions.
7. **Connect the two (2) conductors to the corresponding circuit wires in the Junction Box:** See page 11 for light wiring instructions.
8. **Final check:** See page 11 for final check instructions.

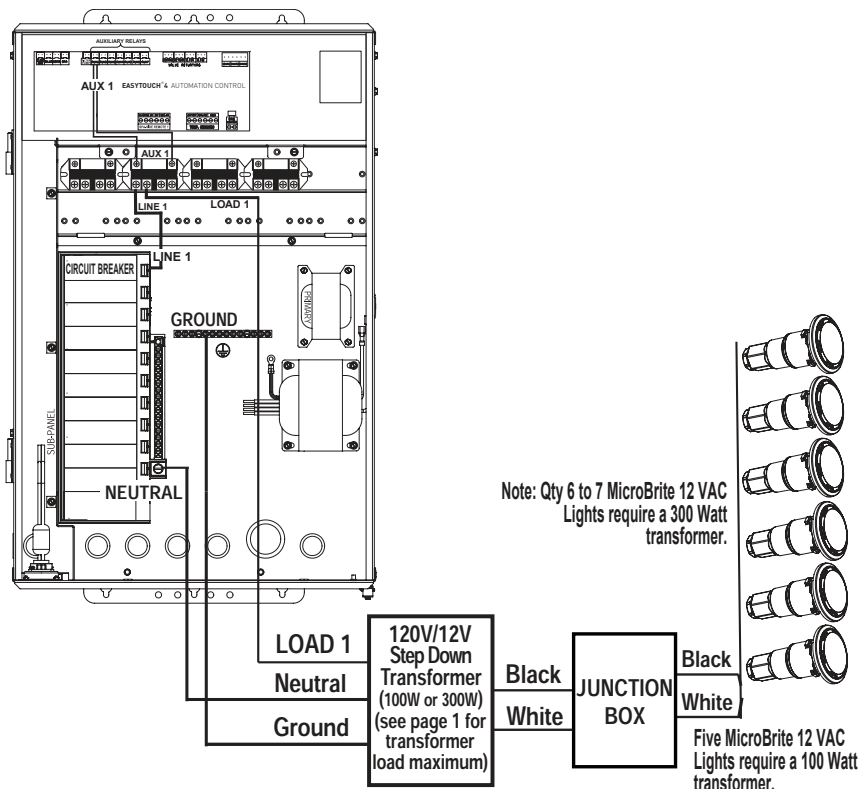
CONNECTING MICROBRITE™ COLOR AND WHITE LED LIGHTS TO EASYTOUCH® OR INTELLITOUCH® CONTROL SYSTEM LOAD CENTER TO AN AUXILIARY RELAY



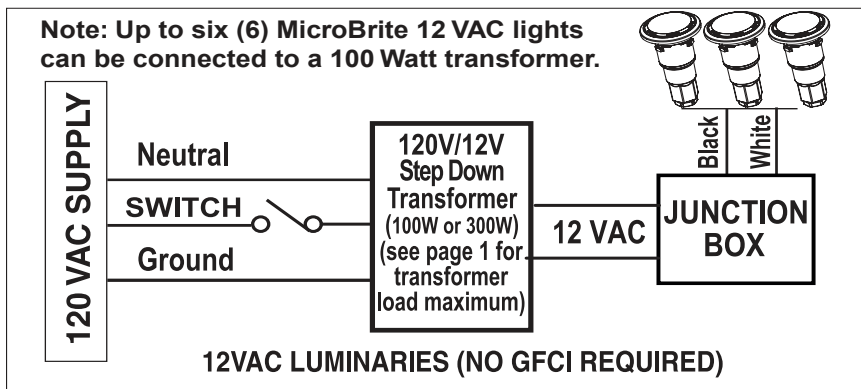
DANGER RISK OF ELECTRICAL SHOCK OR ELECTROCUTION

Always disconnect AC power to EasyTouch and IntelliTouch Control System load center at the circuit breaker before servicing, or removing the **HIGH VOLTAGE FRONT PANEL**. Failure to do so could result in death or serious injury to installer, service person, pool users, or others due to electrical shock.

1. **EasyTouch or IntelliTouch Control System Load Center:** Unlatch the enclosure door spring latch, and open the door.
2. **Discharge Electrostatic energy before removing the cover by first touching the metal part of the enclosure.**
3. Loosen the two (2) retaining screws from the HIGH VOLTAGE FRONT PANEL. Remove the panel from the enclosure.
4. Run the MicroBrite light power cord to the transformer which is attached to the auxiliary relay in the EasyTouch/IntelliTouch Control System load center.
5. Connect the 120 VAC side of a 12 VAC transformer to the LOAD SIDE of one of the auxiliary (AUX) relays in the load center.
6. Connect the Neutral conductor from the 12 VAC transformer to the Neutral bus bar in the load center.
7. After the connection has been completed, close the control panel and secure it with the two (2) retaining screws.
8. Close the load center front door. Fasten the spring latch.



EasyTouch® and IntelliTouch® Control System Load Center Wiring Diagram



MicroBrite™ Light with Wall Switch Wiring Diagram

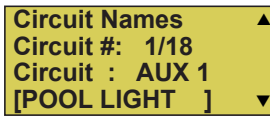
SETTING UP MICROBRITE™ COLOR AND WHITE LED LIGHTS WITH EASYTOUCH® AND INTELLITOUCH® AUTOMATION SYSTEM

EasyTouch® Automation System

The following describes how to setup the MicroBrite Light from the EasyTouch® Control System indoor control panel or the EasyTouch Automation System wireless control panel. From the EasyTouch control panel you can control the light shows.

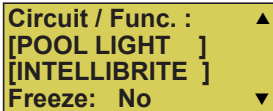
To set up a MicroBrite light circuit; assign the "Light Circuit Name" to the relay circuit (example; AUX 3, as "Pool Light") and "Function": assign the name "Pool Light" circuit in the Circuit Func. menu as a "light" circuit (IntelliBrite). After assigning the circuit name and function, the light circuit name "Pool Light" can be setup in the CONFIG menu for light position, color etc.

To assign a Circuit Name go to: MENU > SETTINGS > CIRCUIT NAMES



1. Press the **Up/Down button** to select a circuit number 1/18. Press the Up button two times to select **AUX 1** to choose this circuit for a light circuit On/Off button. The circuit number (1/18) corresponds to its assigned circuit name.
2. Press the **Up/Down button** to scroll through the list of preset names. Select a name such as "Pool Light." AUX 1 has now been assigned the circuit name "Pool Light."

To assign a Circuit Function go to: MENU > SETTINGS > CIRCUIT FUNC.



3. Press the Menu button to return to the Settings menu. Press the Down button to and select "Circuit Func." Press the Right button to access the Circuit Func. menu.
4. Press the **Up/Down button** to select the already assigned circuit name "Pool Light."
5. Press the **Right button** to view "Circuit Functions" to assign to light circuit "Pool Light."
6. Press the **Up/Down button** to select the type of light circuit function to use. Select "INTELLIBRITE" for the MicroBrite light circuit function.
7. Press the Menu button three times to return to the main screen.

Operating the MicroBrite lights: The MicroBrite light is ready to operate using the EasyTouch control panel button 1 (auxiliary 1 circuit). To access the Lights menu screen (*special Light Features*), press **Menu > Lights**. The Lights menu settings are: MODES, COLORS, ALL ON, ALL OFF, SYNC, MAGICSTREAM, CONFIG: From the Modes screen you can control the color light shows. To access the Modes menu, press Menu > Lights > Modes. See page 2 for MicroBrite color light shows.

IntelliTouch® Control System

The following describes how to setup the MicroBrite™ Light from the IntelliTouch® Control System control panel. From the IntelliTouch Automation System control panel you can control the light shows. To access the MicroBrite light screens, from the IntelliTouch indoor control panel or the MobileTouch® Wireless Remote control panel.

Assigning a Circuit Name

To identify the MicroBrite light connected to the auxiliary circuits (AUX 1, AUX 2) in the IntelliTouch Control System load center, you need to assign the MicroBrite light circuit name to the corresponding auxiliary circuits in the IntelliTouch indoor control panel. Choose a circuit name from the preset list of names for the MicroBrite light connected to the auxiliary relay installed in the IntelliTouch load center.

Assigning a Circuit Name for the MicroBrite Light: To assign a Circuit Name for the MicroBrite light, go to: **MENU > SETUP > ADVANCED > CIRCUIT NAMES > ASSIGN CIRCUIT NAMES > DISPLAY.**

Selecting DISPLAY Screen 1, 2, 3, or 4: The auxiliary circuits that control the pool and spa equipment can be accessed from the "Display" screen on the Indoor Control Panel or MobileTouch wireless control panel. Selecting the button next to Display 1, 2, 3, or 4 displays the screen with circuits belonging to that particular expansion Load Center or Power Center. "Feature Circuits" can also be assigned from this screen.

To assign circuit names for a specific display screen:

Display #1 - This screen shows circuit names for the filter pump, pool and spa modes, and all high voltage auxiliary circuits connected to the main Load Center or Power Center. **Display #2** - This screen shows circuit names for the additional auxiliary

circuits connected to the first expansion center (Load Center or Power Center).

Display #3 - This screen shows circuit names for the additional auxiliary circuits connected to the second expansion center (Load Center or Power Center)

Display #4 - This screen shows circuit names for the additional auxiliary circuits connected to the third expansion center (Load Center or Power Center).

To assign a MicroBrite light circuit name for the MAIN SCREEN:

1. Select the button next to Display #1. These are the circuit names that will be displayed on the Main Screen. Note: If there is an expansion Load Center or Power Center installed, select the appropriate Display #2, #3, or #4 associated with that expansion Load Center or Power Center.
2. From the Main Display screen, press the button next to AUX 1. A small arrow pointing to AUX 1 is displayed.
3. Use the Up and Down buttons at the bottom of the screen to scroll through the alphabetical list of preset equipment names. Choose the equipment name that matches the label name for button number 1 on the Load Center Outdoor Control Panel.
4. Continue to name other auxiliary circuits (AUX2, AUX3, etc.): After selecting the equipment name you want to use for AUX 1, press the button next to the AUX 2 and choose a circuit name. The small arrow indicates which circuit is selected for naming.
5. Repeat the process to assign the other equipment to circuits on this screen.
6. When you have finished assigning equipment circuit names, press the Save button. Press the Exit button to return to the Main screen.
7. **CONTINUE TO NEXT PAGE to set up the MicroBrite Function Circuit.**

Set up a MicroBrite™ Color and White LED Light Circuit Function

To setup an AUX circuit to control the MicroBrite light, assign the circuit light function an auxiliary relay circuit (AUX 1), then assign the circuit name for that light circuit. The light circuit name will appear on the main screen. Each MicroBrite light must also be assigned a circuit function.

To assign a Circuit Name for the MicroBrite light, go to: MENU > SETUP > ADVANCED > CIRCUIT FUNCTIONS

Setup a MicroBrite light function circuit: Assign each light auxiliary relay circuit a circuit name, then assign that light relay circuit in the "CIRCUIT FUNCTIONS" section, as "INTELLIBRITE."

To setup the MicroBrite light circuit function (use the "IntelliBrite" circuit name):

1. Press the button next to the AUX button (the relay auxiliary circuit connected to the MicroBrite (IntelliBrite) light).
2. Press the right or left side (PREV/NEXT) button next to "INTELLIBRITE." Scroll through the circuit functions until "INTELLIBRITE" is displayed.
3. Press the SAVE button on the bottom of the screen. Press the EXIT button to return to the main screen.

Assign the MicroBrite light circuit to the Lights screen:

4. Press the Lights button on the bottom of the screen.
5. Press the right side button next to "CONFIGURE."
6. Press the button next to "NONE" to assign an IntelliBrite light circuit to the selected button. Light names can be setup to display on the left side for "Spa" features and on the right side for the "Pool" features.
7. Press the top left or right side button to scroll through the available light circuits which can be used for the MicroBrite (IntelliBrite) lighting features. Select at the circuit name you wish to use. The displayed circuit names are circuit names that were previously assigned when assigning a circuit function.

Operating and Selecting MicroBrite (IntelliBrite® Color Light) Color Modes

From the "Modes" screen you can select various preset show color lighting effects, such as "American mode" and "Sunset mode," and Pentair SAM Color Changing Light (an emulation of the SAM color scheme). Using the "Hold" and "Recall" feature you can also capture and save a unique color effect to recall at a later time.

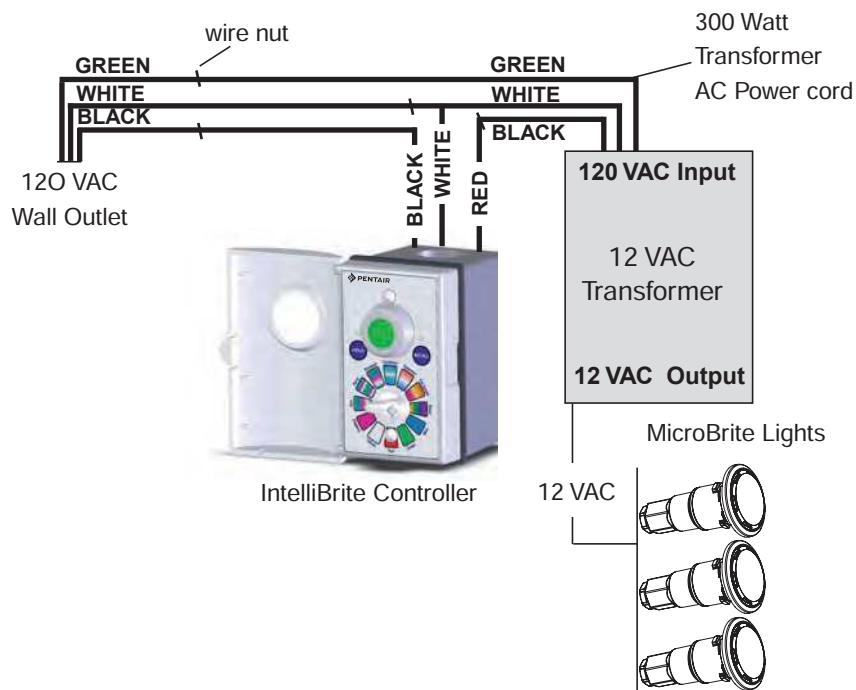
Modes screen

To access the IntelliBrite® Color Light color show "Modes" features from the Lights screen, press the Lights button on the bottom of the screen, then press the left side button next to "MODES."

Special Light Features: Up to twelve (12) IntelliBrite light circuits can be displayed on the main Lights screen (special light features). From the Lights screen you can activate the IntelliBrite lighting features (i.e., color swim, color set). Assuming each MicroBrite (IntelliBrite) light has its own relay and separate circuit.

Wiring MicroBrite™ Color and White LED Lights to IntelliBrite® Controller and 300 Watt Transformer

The following diagram shows how to connect MicroBrite Lights to an IntelliBrite Controller using a 300 Watt transformer. Note: For MicroBrite light operating instructions, see page 2.



Troubleshooting (MicroBrite Lights)

Light does not function properly: Be sure that there is 12 VAC power applied to the light.

Troubleshooting (IntelliBrite Controller)

Both of the LEDs are flashing: Check the light wiring connection to the junction box at the pool side and to the AC power switch. The IntelliBrite Controller has detected that the load has exceeded the maximum allowable wattage or the output is shorted out.

1. Switch off the IntelliBrite Controller OFF. Remove excessive load or short.
2. Press the IntelliBrite Controller power switch to power on the unit. Ensure that the LEDs are no longer flashing.

MicroBrite™ Color and White LED Lights Parts List

MicroBrite Color and White LED Lights Parts List

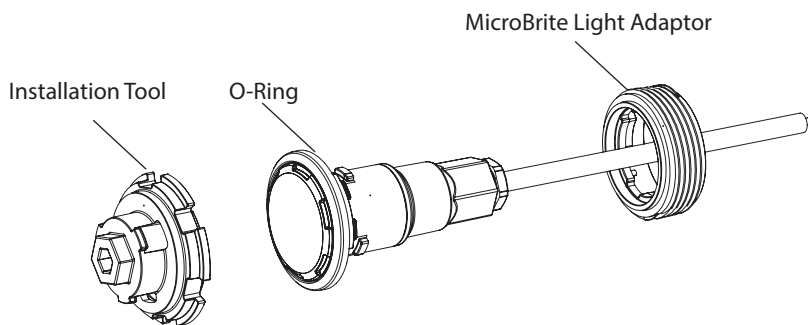
Part No.	Description
602424	MicroBrite Color Light 12 VAC 50' cord
602425	MicroBrite Color Light 12 VAC 100' cord
602426	MicroBrite Color Light 12 VAC 150' cord
602428	MicroBrite White Light 12 VAC 50' cord
602429	MicroBrite White Light 12 VAC 100' cord
602430	MicroBrite White Light 2 VAC 150' cord

MicroBrite Color and White LED Light Bundles

Part No.	Description
620427	Two MicroBrite Color Light Combo 100' w/300W transformer
620431	Two MicroBrite White Light Combo 100' w/300W transformer

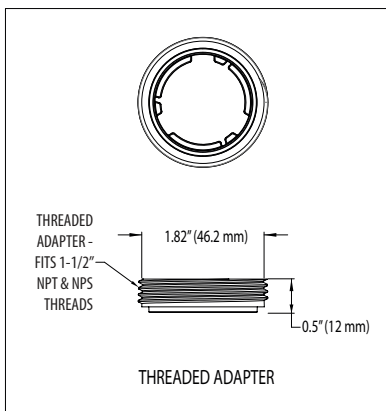
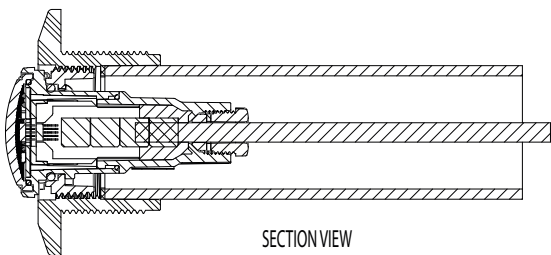
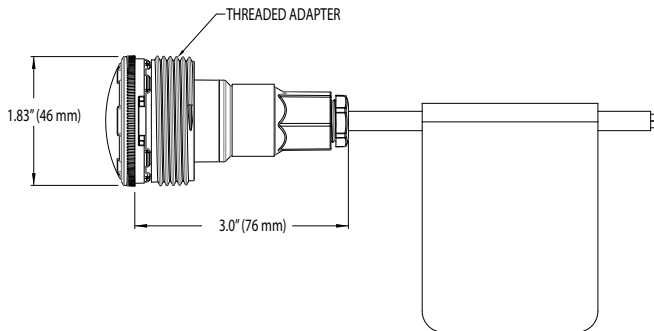
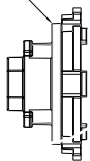
MicroBrite Color and White LED Lights Replacement Kits

Part No.	Description
620460	MicroBrite Light Adaptor (replacement)
620459	Installation Tool (replacement)
620463	Conduit Seal O-Ring (replacement)



MicroBrite™ Color and White LED Light Dimensions

INSTALLATION TOOL



Blank Page

Blank Page



1620 HAWKINS AVE., SANFORD, NC 27330 • (919) 566-8000
10951 WEST LOS ANGELES AVE., MOORPARK, CA 93021 • (805) 553-5000

WWW.PENTAIRPOOL.COM

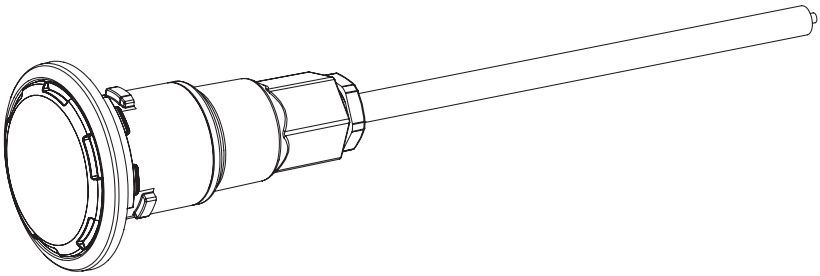
All Pentair trademarks and logos are owned by Pentair, Inc. Pentair Aquatic Systems®, MicroBrite™, IntelliBrite®, AmerBrite®, MobileTouch®, EasyTouch®, and IntelliTouch® are trademarks and/or registered trademarks of Pentair Water Pool and Spa, Inc. and/or its affiliated companies in the United States and/or other countries. Those names and brands may be the trademarks or registered trademarks of those third parties. Hayward® is a registered trademark of Hayward Industries, Inc., Waterway™ is a trademark of Waterway Plastics, Inc., and CMP® is a registered trademark of Custom Molded Products, LLC. Because we are continuously improving our products and services, Pentair reserves the right to change specifications without prior notice. Pentair is an equal opportunity employer.

© 2018 Pentair Water Pool and Spa, Inc. All rights reserved.
This document is subject to change without notice.





LUZ LED DE COLORES Y BLANCA
MICROBRITE™
PARA PISCINA Y SPA



GUÍA DE
INSTALACIÓN
Y DEL USUARIO

INSTRUCCIONES DE SEGURIDAD IMPORTANTES
LEA Y SIGA TODAS LAS INSTRUCCIONES
GUARDE ESTAS INSTRUCCIONES

Soporte técnico

Teléfono: **(800) 831-7133** - Fax: **(800) 284-4151**

Sitios web: www.pentairpool.com y www.staritepool.com:

Índice

ADVERTENCIA IMPORTANTE E INSTRUCCIONES DE SEGURIDAD.....	iii
Resumen sobre la luz de colores y blanca MicroBrite para piscinas	1
Operación de las luces MicroBrite con un interruptor de pared	1
Operación de las luces MicroBrite con un sistema de automatización	1
Uso de un transformador externo para múltiples MicroBrite de 12 VAC	1
Vataje máximo usando varias luces de colores o blancas (con un transformación de aislamiento de 300 vatios)	1
Operación de las luces de colores MicroBrite con un interruptor de pared.....	2
Cómo conectar las luces de colores MicroBrite	2
Cómo seleccionar un color de luz MicroBrite y modos de programas o color fijo con un interruptor de pared.....	3
Cómo guardar un modo de color o color fijo	3
Luz blanca MicroBrite	3
Cómo conectar la luz blanca MicroBrite	3
Cómo seleccionar el nivel de intensidad de la luz blanca MicroBrite con un interruptor de pared	3
Seleccionar un modo de programa de luces de colores MicroBrite usando un controlador IntelliBrite	4
Instalación de luces MicroBrite (conexiones de pared de 1.5", piscina nueva - USA).....	5
Instalación de luces MicroBrite (conexiones de pared de 1.5", piscina nueva - Canadá). 6	6
INSTALACIÓN DE CONDUCTO MOJADO	7
Conexiones de pared compatibles con las luces MicroBrite	7
INSTALACIÓN DE CONDUCTO SECO/MOJADO (UTILIZAR KIT PROVISTO).....	10
APLICACIONES DE RENOVACIÓN DE LA FIBRA ÓPTICA	11
Instalación del cableado de la luz de color y blanca MicroBrite	11
Reemplazo del ensamblaje de la luz MicroBrite (en una piscina o spa existente)	13
Conexión de las luces MicroBrite al Centro de carga EasyTouch/IntelliTouch	15
Configuración de las luces MicroBrite con el Sistema de automatización EasyTouch/ IntelliTouch.....	16
Conexión de cables de las luces MicroBrite al controlador IntelliBrite y al transformador de 300 W.....	20
Resolución de problemas (Luces MicroBrite / Controlador IntelliBrite)	20
Lista de partes de las luces de colores y blanca MicroBrite	21
Kit de reemplazo de las luces de colores y blanca MicroBrite	21
Dimensiones de las luces de colores y blanca MicroBrite	22

LEA Y SIGA TODAS LAS INSTRUCCIONES DE ESTE MANUAL

P/N 523371 Rev. A 4/2018

Guía de instalación y del usuario de la luz de colores y blanca MicroBrite

ADVERTENCIA IMPORTANTE E INSTRUCCIONES DE SEGURIDAD



PELIGRO

NO INSTALAR O NO USAR CORRECTAMENTE ESTA LUZ PUEDE OCASIONAR LESIONES FÍSICAS GRAVES O LA MUERTE.



PELIGRO

LOS INSTALADORES, OPERADORES Y PROPIETARIOS DE PISCINAS DEBEN LEER ESTAS ADVERTENCIAS Y TODAS LAS INSTRUCCIONES ANTES DE USAR LA LUZ DE PISCINA Y/O SPA.



ADVERTENCIA

La mayoría de los códigos estatales y locales residenciales regulan la construcción, instalación y operación de piscinas y spas públicos, y la construcción de piscinas y spas residenciales. Es importante respetar dichos códigos, muchos de los cuales regulan en forma directa la instalación y el uso de este producto. Consulte sus códigos locales de construcción y salud para obtener más información.



AVISO IMPORTANTE - Para el instalador: esta Guía de Instalación y del Usuario («Guía») contiene información importante acerca de la instalación, operación y uso seguro de esta luz de piscina y spa para instalar debajo del agua. Esta Guía se debe entregar al propietario y/o al operador de este equipo.



ADVERTENCIA

Antes de instalar este producto, lea y tenga en cuenta todos los avisos de advertencia y las instrucciones que se incluyen en esta Guía. No respetar las advertencias o no seguir las instrucciones puede provocar lesiones graves, la muerte o daños a la propiedad.

Llame al (800) 831-7133 para obtener copias adicionales gratis de estas instrucciones. Visite www.pentairpool.com para acceder a más información relacionada con estos productos.



PELIGRO

RIESGO DE DESCARGA ELÉCTRICA O ELECTROCUCIÓN:

LAS LUCES PARA PISCINA SUMERGIBLES EXIGEN ALTO VOLTAJE, LO QUE PUEDE GENERAR UNA DESCARGA, QUEMADURAS O INCLUSO CAUSAR LA MUERTE.



Antes de trabajar con estas luces o realizar tareas de mantenimiento a las luces para piscina, siempre interrumpa el suministro eléctrico a las luces para piscina y/o spa desde el interruptor del circuito antes de iniciar el trabajo. Si no lo hace, la persona a cargo del trabajo o los usuarios de la piscina podrían sufrir lesiones graves o la muerte debido a una descarga eléctrica. Al instalar y usar estos equipos eléctricos, siempre se deben seguir las precauciones de seguridad básicas.

La instalación de este producto debe estar a cargo de un electricista con licencia o certificado o de un profesional calificado de mantenimiento de piscinas conforme a las normas actuales NFPA 70 del Código Eléctrico Nacional (NEC) o CSA C22.1 del Código Eléctrico de Canadá (CEC). También se debe adherir a todos los códigos y ordenanzas locales de instalación. Una instalación inadecuada generará un riesgo eléctrico que podría causar la muerte o lesiones graves a usuarios, instaladores y otras personas debido a una descarga eléctrica, y también podría provocar daños a la fuente de alimentación eléctrica. Siempre desconecte la conexión de la luz de la piscina desde el disyuntor antes de instalar o quitar la luz. Si no lo hace, la persona a cargo del trabajo o los usuarios de la piscina podrían sufrir lesiones graves o la muerte debido a una descarga eléctrica.



ADVERTENCIA

Para los países que se acogen a las normas regulatorias de la Comisión Electrotécnica Internacional (CEI): esta luminaria debe ser instalada por un electricista matriculado o certificado o por un profesional de servicios calificado conforme a IEC 364-7-702 y todos los códigos y ordenanzas locales vigentes que correspondan. Una instalación inadecuada generará un riesgo eléctrico que podría causar la muerte o lesiones graves a usuarios, instaladores y otras personas debido a una descarga eléctrica, y también podría provocar daños a la propiedad.

ADVERTENCIA IMPORTANTE E INSTRUCCIONES DE SEGURIDAD

INSTALADORES E INSPECTORES:

LA LUZ LED BLANCA Y DE COLORES MICROBRITE™ Y LAS CONEXIONES DE PARED FORMAN UN SISTEMA DE ILUMINACIÓN NO METÁLICO DE BAJO VOLTAJE COMPLETO. ESTA CONFIGURACIÓN NO REQUIERE CONEXIÓN A TIERRA SI SE CONECTA MEDIANTE UN TRANSFORMADOR DE AISLAMIENTO PARA PISCINA DE 100 O 300 VATIOS (LISTADO EN LA PÁGINA 1) Y SE INSTALA CONFORME A LAS NORMAS ACTUALES DEL CÓDIGO ELÉCTRICO NACIONAL (NEC).

DISPOSICIONES DE ILUMINACIÓN SIN CONEXIÓN A TIERRA DEL NEC: cuándo se utilizan las luces de bajo voltaje no metálicas MicroBrite con certificación UL. El código NEC actual dispone una excepción para la conexión a tierra de luminarias en sus artículos 680.6 y 680.23

DISPOSICIONES NEC PARA LA CONEXIÓN A TIERRA EN PISCINAS: para conexiones en piscinas de agua exigidas por el artículo 680.26c de nec, las piscinas de cemento se consideran conductoras (consultar 680.26 (b) (1) debido a la porosidad del cemento y la conducción de la malla de refuerzo. No es necesario hacer conexiones adicionales.

LUMINARIAS FIJAS PARA PISCINA Y SPA: siga estas pautas al instalar o reemplazar las luminarias fijas para piscina y spa de Pentair:

PARA UNA OPERACIÓN LIVIANA, SOLO UTILICE UN TRANSFORMADOR DE AISLAMIENTO DE SEGURIDAD.

Nota: conecte ambos cables a sus cables de circuito correspondientes en la caja de empalme (cable negro a electricidad, cable blanco al común) ESPECIFICACIONES DE LUMINARIAS FIJAS PARA PISCINA Y SPA: 12 VAC 50/60 Hz.

AVISO IMPORTANTE: LA LUZ DE COLORES Y BLANCA MICROBRITE NO ES UNA LUZ APTA PARA MANTENIMIENTO. SE DEBE REEMPLAZAR TODA LA UNIDAD DE LUZ

⚠ PELIGRO - NO INSTALE LAS LUCES LED BLANCAS Y DE COLORES CON INTERRUPTORES DE REGULACIÓN DE INTENSIDAD EL USO DE INTERRUPTORES DE REGULACIÓN DE INTENSIDAD PROVOCARÁ DAÑOS PERMANENTES A LAS LUCES.

Las luces LED blancas y de colores MicroBrite™ están aprobadas por UL para ser instaladas en una posición vertical (hacia arriba). La instalación de la luz vertical debe hacerse a un mínimo de 4 pulgadas debajo del nivel del agua.

Las instalaciones de luz vertical solo se recomiendan en áreas sin ocupantes de la piscina (por ejemplo, al encender el borde de una piscina infinita).

Resumen de las luces LED blancas y de colores MicroBrite™

Este manual describe cómo instalar, reemplazar y operar las luces blancas y de colores MicroBrite de 12 VAC. La luz MicroBrite de colores proporciona una luz brillante multicolor con efectos espectaculares para su piscina. Elija uno de los siete programas de luces preprogramados o seleccione uno de los cinco colores fijos para crear virtualmente una gama interminable de efectos de iluminación subacuáticos espectaculares para un efecto impresionante en su piscina y spa. La luz blanca MicroBrite de 12 VAC presenta tres niveles de brillo diferentes. Consulte la página 2 para obtener más información.

Operación de las luces MicroBrite con un interruptor de pared

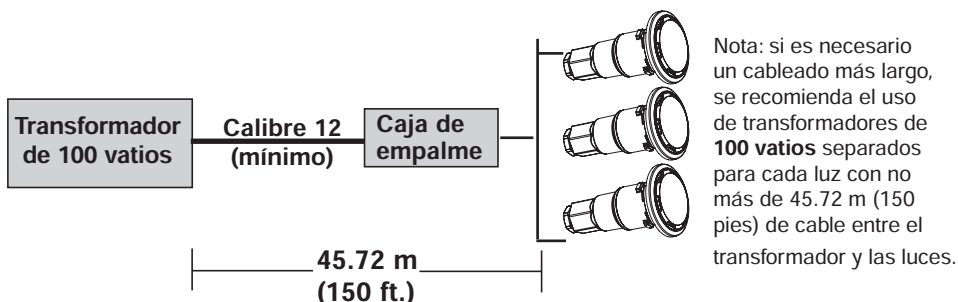
Las luces MicroBrite se pueden controlar manualmente mediante un interruptor de pared estándar. Se pueden conectar varias luces MicroBrite mediante una caja de empalme y un transformador de aislamiento de 12 VAC a un mismo interruptor, para que todas las luces se puedan encender y apagar al mismo tiempo. Consulte la página 15 para ver el diagrama de cableado.

Operación de las luces MicroBrite con un sistema de automatización

Las luces MicroBrite de colores también se pueden controlar de manera automática mediante los sistemas de control IntelliTouch® e EasyTouch® de Pentair. Para obtener más información, consulte la guía del usuario del sistema de control IntelliTouch (N/P 521075), la guía del usuario del sistema de control EasyTouch (N/P 521044) o la guía del usuario de las luces IntelliBrite 5G (P/N 619921).

Uso de un transformador externo de aislamiento de seguridad para múltiples MicroBrite de 12 VAC

Al usar varias luces MicroBrite de 12 VAC en un transformador de aislamiento de seguridad de **100 vatios**, se recomienda que no sean más de seis (6) luces LED MicroBrite. En el caso de largas longitudes de cables, se recomienda que no se exceda de 45.72 m (150 pies) la longitud total entre el transformador de aislamiento de 12 VAC y la luz blanca y/o de color MicroBrite.



Vataje máximo usando varias luces de colores o blancas (con un transformación de aislamiento de 300 vatios)

¡IMPORTANTE! Al usar varias luces para piscina y spa de 12 VAC de Pentair, el vataje total permitido para iluminación es de un máximo de 300 vatios y no debe exceder el 80% del valor calificado. El vataje para cada luz individual es como sigue:

- Una luz LED MicroBrite de colores tiene un máximo de 12 vatios
- Una luz LED MicroBrite blanca tiene un máximo de 12 vatios
- Una luz LED AmerBrite® blanca (500 W) tiene un máximo de 51 vatios
- Una luz AmerBrite blanca (400 W) tiene un máximo de 44 vatios
- Una luz AmerBrite blanca (300 W) tiene un máximo de 36 vatios
- Una luz LED AmerBrite de colores tiene un máximo de 36 vatios
- Una luz LED IntelliBrite® de colores tiene un máximo de 30 vatios
- Una luz LED IntelliBrite de color para spa tiene un máximo de 18 vatios

Operación de las luces de colores MicroBrite™ con un interruptor de pared

Las luces MicroBrite de colores se pueden controlar mediante un interruptor de pared estándar (o por medio del controlador IntelliBrite®, consulte la página 4). Se pueden conectar varias luces MicroBrite de colores mediante una caja de empalme y un transformador de 12 VAC a un mismo interruptor, para que todas las luces se puedan encender y apagar al mismo tiempo. Las luces MicroBrite de colores se controlan a través de un ciclo desde la fuente de CA al transformador de 12 VAC desde un interruptor de pared estándar. Al apagar y encender el interruptor una cantidad específica de veces, la luz activa uno de los siete modos de programas de luces, colores fijos, o habilita las funciones "Hold" y "Recall".

Cómo conectar las luces de colores MicroBrite

Cuando se enciende la luz de colores MicroBrite, se muestra el color seleccionado previamente, a menos que se haya habilitado previamente la función HOLD o RECALL.

Nota: si se apaga la luz durante más de cinco (5) segundos, se mostrará el último modo de programa de colores o color fijo guardado.

Selección un modo de programa de luces de colores MicroBrite usando un interruptor de pared

Las luces MicroBrite son compatibles con los programas de colores IntelliBrite® y se pueden sincronizar con las luces de colores IntelliBrite.

Encienda el interruptor de energía de la luz. Se iluminará una luz blanca momentáneamente y después aparecerá el color seleccionado previamente. Para seleccionar un modo de programa de colores (1-7) o colores fijos (8-12), apague y encienda el interruptor de pared una cantidad específica de veces. Cada número debajo (1-12) corresponde a la cantidad de veces que se debe apagar y encender el interruptor para activar un programa de luces de colores o un color fijo. Para conocer más detalles sobre cómo guardar los efectos de colores mientras se está en el modo de programa, consulte las funciones "Hold" y "Recall" en la página 4.

Cantidad de veces que se debe apagar y encender el interruptor (1-14)

- 1 **Modo SAM:** alterna entre los colores blanco, magenta, azul y verde (imita la luz con colores cambiantes Pentair SAM).
- 2 **Modo Party:** el rápido cambio de colores genera energía y emoción.
- 3 **Modo Romance:** transición lenta para una rutina cautivante y relajante.
- 4 **Modo Caribbean:** transición entre una variedad de azules y verdes.
- 5 **Modo American:** transición patriótica entre rojo, blanco y azul.
- 6 **Modo California Sunset:** impresionantes transiciones entre tonos de anaranjado, rojo y magenta.
- 7 **Modo Royal:** tonos de colores más vivos y profundos.
- 8 **Azul:** colores fijos.
- 9 **Verde:** colores fijos.
- 10 **Rojo:** colores fijos.
- 11 **Blanca:** colores fijos.
- 12 **Magenta:** colores fijos.
- 13 **Hold:** guarda el efecto de color actual durante un programa de luces de colores.
- 14 **Recall:** activa el último efecto de color guardado.

Ejemplo: para seleccionar **Modo atardecer en California**; encienda el interruptor, luego apáguelo y enciéndalo seis (6) veces. No ocurrirá ninguna iluminación durante el proceso de apagado y encendido, luego se iluminará una luz blanca momentáneamente.

⚠ ADVERTENCIA No ocurrirá ninguna iluminación durante el proceso de apagado y encendido, antes de que se muestre el color seleccionado. Este modo de operación es normal durante el proceso de apagado y encendido. La piscina y el spa estarán oscuros durante este período, por lo que deben tomarse precauciones para evitar accidentes. El incumplimiento de esta advertencia puede provocar lesiones graves o la muerte para los usuarios de la piscina y spa.

Cómo guardar un modo de color o color fijo

Cuando se apagan las luces de colores MicroBrite™, se guardará el último modo de programa o color fijo. La próxima vez que se encienda la luz, se mostrará el modo de programa de colores o color fijo previamente guardado. Por ejemplo, mientras esté en el "Modo Party" apague la luz. Espere más de cinco (5) segundos, encienda nuevamente la luz para continuar con el Modo Party.

Luz blanca MicroBrite

Las luces blancas MicroBrite se pueden controlar con un interruptor de pared estándar. Se pueden conectar varias luces blancas MicroBrite mediante una caja de empalme y un transformador de 12 VAC a un mismo interruptor, para que todas las luces se puedan encender y apagar al mismo tiempo. Las luces blancas MicroBrite se controlan a través de un ciclo desde la fuente de CA al transformador de 12 VAC desde un interruptor de pared estándar. Al apagar y encender el interruptor una cantidad específica de veces, usted puede escoger uno de tres niveles de brillo.

Cómo conectar la luz blanca MicroBrite

Nota: la luz blanca MicroBrite se envía de fábrica en el modo brillo al 100%.

Cuando se enciende la luz blanca MicroBrite, estará al nivel de brillo seleccionado previamente.

Nota: si se apaga la luz durante más de cinco (5) segundos, se mostrará el último nivel de brillo guardado.

Cómo seleccionar el nivel de intensidad de la luz blanca MicroBrite con un interruptor de pared

Las luces blancas MicroBrite White le permite escoger uno entre tres niveles de brillo (100%, 75% y 50%). Cuando se enciende la luz blanca MicroBrite, esta comienza con su nivel de brillo más intenso (100%). A menos que se haya establecido previamente al nivel mediano (75%) o bajo (50%).

NOTA: los modelos de colores MicroBrite no están equipados con la funcionalidad de atenuación. Solo las luces blancas MicroBrite tienen la funcionalidad de atenuación.

Para seleccionar uno de los tres niveles de brillo (100%, 75% y 50%), primero encienda las luces y luego apague y encienda el interruptor rápidamente una cantidad específica de veces para poder seleccionar el nivel de brillo deseado.

Seleccionar los niveles de brillo como sigue:

- **100% brillo:** apagar las luces (**OFF**) y encenderlas (**ON**) rápidamente, configurará las luces al 100% de brillo.
- **75% brillo:** apague y encienda (**OFF-ON-OFF-ON**) y las luces aparecerán al 100% y se atenuarán al 75% después de 1 segundo.
- **50% brillo:** apague y encienda (**OFF-ON-OFF-ON-OFF-ON**) y las luces aparecerán al 100% y se atenuarán al 75% después de un segundo y luego al 50% al pasar otro segundo.

Seleccionar un modo de programa de luces de colores usando un controlador IntelliBrite®

La luz de color MicroBrite puede ser controlada con el controlador IntelliBrite (p/n 600054, que se vende por separado). El controlador IntelliBrite® brinda un control total de sus luces de colores MicroBrite. Solo marque cualquiera de los programas de colores o colores fijos preprogramados. El controlador IntelliBrite puede conectarse a uno o varios transformadores de 12 VAC (máximos de 300 W) para controlar las luces de colores MicroBrite. El controlador IntelliBrite también puede controlar múltiples luces MicroBrite e IntelliBrite. Nota: consulte la página 19 para ver instrucciones de cableado del controlador IntelliBrite.

Cómo utilizar el controlador IntelliBrite: las luces de colores MicroBrite son compatibles con los programas de colores IntelliBrite y se pueden sincronizar con las luces de colores y luces para jardín IntelliBrite. Para seleccionar un modo de programa de luces o color fijo, rote el dial hasta la posición deseada. Las selecciones de modo de colores comienzan en sentido horario a partir de la posición de las 9.

Funciones Hold y Recall

Botón Hold/LED: presione este botón (LED) para capturar y guardar un efecto de colores mientras se muestra uno de los modos de programas de luces. Cuando se presiona el botón, se encenderá el LED indicado que se ha capturado el efecto de colores.

Botón Recall/LED: use este botón (LED) para activar el último efecto de color guardado. Cuando se presiona el botón, se encenderá el LED indicado que se está mostrando el efecto de colores.



INSTALACIÓN DE LAS LUCES MICROBRITE™ DE COLORES Y BLANCAS EN UNA CONEXIÓN DE PARED DE 1.5"

A continuación se describe cómo instalar la luz MicroBrite en una conexión de pared de 1-1/2".
Nota: las luces MicroBrite tienen certificación UL para las instalaciones horizontales y verticales.

ANTES DE COMENZAR: la información siguiente describe las tareas que debe realizar el electricista *antes* de instalar la conexión de pared de la luz. Vea la figura 1 en la página 7.

⚠ ADVERTENCIA

Verifique que la piscina o el spa cumplan con los requisitos actuales del Código Eléctrico Nacional (N.E.C.). Artículo 680-22, así como todos los códigos y ordenanzas locales. Un electricista con licencia o certificado debe instalar el sistema eléctrico de manera que cumpla o exceda los requisitos antes de instalar la luz subacuática. Los siguientes son algunos de los requisitos del Código Eléctrico Nacional que debe cumplir el sistema eléctrico de la piscina:

- La caja de empalme y el transformador de bajo voltaje deben estar ubicados al menos 4 (cuatro) pulgadas (10.16 cm) por encima del nivel del suelo u ocho (8) pulgadas (20.3 cm) por encima del nivel máximo de agua de la fuente, el que sea más alto. La caja de empalme debe estar a una distancia de al menos 48 pulgadas (1.22 m) del borde de la piscina. Vea la figura 2 en la página 8.
- Para estar seguro de que el sistema eléctrico de la piscina o el spa cumple con todos los requisitos correspondientes, el electricista debe también consultar al departamento de construcción local.

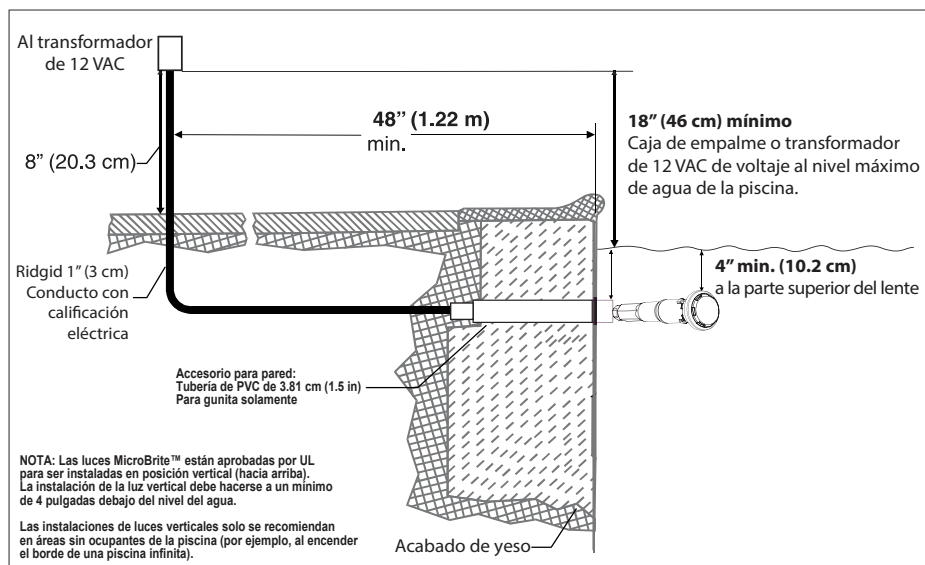


Figura 1.

NOTA: CONSULTE LA PÁGINA 21 PARA VER LAS DIMENSIONES DE LAS LUCES.

INSTALACIÓN DE LAS LUCES LED MICROBRITE™ DE COLORES Y BLANCAS EN UNA CONEXIÓN DE PARED DE 1.5" CANADÁ

⚠ ADVERTENCIA

Asegúrese de que el sistema eléctrico de su piscina cumple con los requisitos actuales del Código Eléctrico Nacional canadiense (CE) y todos los códigos y ordenanzas locales. Un electricista con licencia o certificado debe instalar el sistema eléctrico de manera que cumpla o exceda los requisitos antes de instalar la luz y la caja eléctrica. Debajo se enumeran algunos requisitos del CE.

- La caja de empalme/conexión debe estar sellada para evitar la entrada del agua, consulte la Figura 2 debajo.

La siguiente información es para la ubicación de la Caja de empalme y la caja de conexión para Canadá únicamente. Las cajas de empalme/conexión deberán instalarse:

- por encima del nivel normal de agua de la piscina;
- para que la parte superior de la caja esté situado sobre o por encima del nivel de la plataforma de la piscina;
- de forma que la caja no sea un obstáculo; y
- de manera que cualquier agua que caiga sobre la plataforma se drene lejos de la caja (Consulte el diagrama debajo).

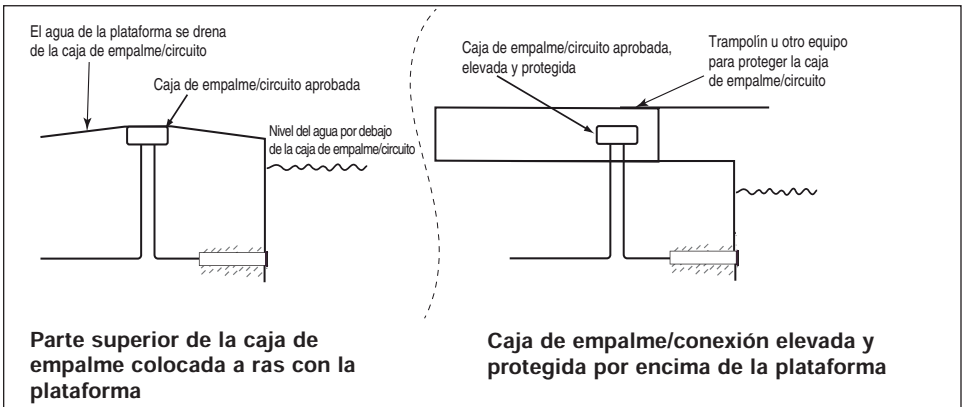


Figura 2, Canadá.

Instalación de la luz LED MicroBrite™ de colores y blanca

Conexiones de pared compatibles

Parte N°	Descripción	Parte N°.	Descripción
86205100	Pentair	SP1022	Hayward™
542429	Pentair	215-9170B	WaterWay®
542402	Pentair	400-9150B	WaterWay
542414	Pentair	215-9890B	WaterWay
86205100	Pentair	400-9170B	WaterWay
542405	Pentair	CMP25550001060	CMP
542404	Pentair	CMP25522100000	CMP
		CMP25550000000	CMP

El adaptador de la luz MicroBrite permite el montaje de la luz MicroBrite en la conexión de retorno de 1-1/2". Consulte la tabla arriba Conexiones de pared MicroBrite compatibles.

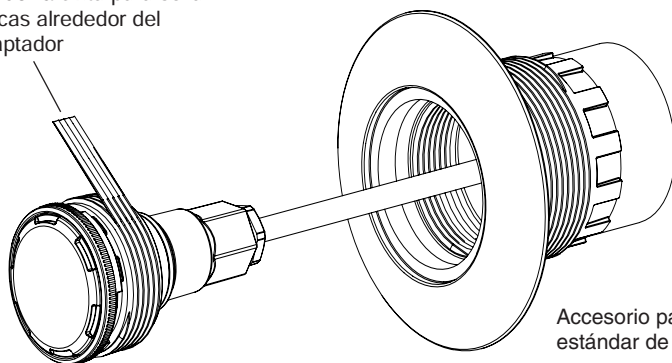
PARA APLICACIONES DE RENOVACIÓN DE LA FIBRA ÓPTICA VER LA PÁGINA 11.

INSTALACIÓN DE CONDUCTO MOJADO

Nota: las luces MicroBrite se envían de fábrica con el aro adaptador roscado blanco preinstalado en el cuerpo de la luz. Las roscas macho en el aro adaptador roscado blanco permite que la luz se enrosque en las roscas hembras de la mayoría de las conexiones de retorno en la pared de la piscina de 1-1/2" (1.5"). Para instalar la conexión de pared MicroBrite en una piscina de hormigón/gunita:

1. Para instalar una luz MicroBrite, dirija el cable de alimentación de la luz MicroBrite a través de la conexión de pared de 1.5" hasta la ubicación del transformador o caja de empalme de 12 VAC de la piscina.
2. Envuelva con cinta sellante de plomería las roscas macho en el aro adaptador roscado blanco de la luz.
3. Hale el cable de alimentación MicroBrite a través del conducto hasta que haya aproximadamente de tres a seis pulgadas de cable visible entre el cuerpo de la luz MicroBrite y la conexión de pared.

Envuelva cinta para sellar roscas alrededor del adaptador



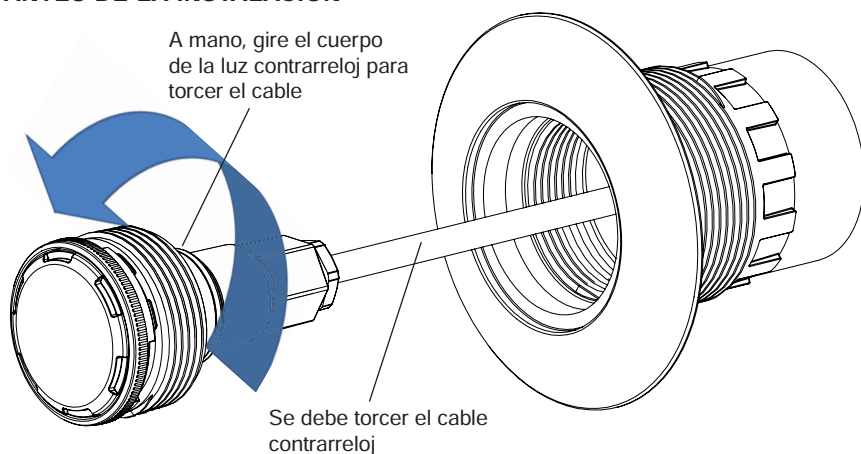
Accesorio para pared estándar de 1-1/2"

Continúe hasta el Paso 4 en la página siguiente.

INSTALACIÓN DE CONDUCTO MOJADO (Continuación)

- Con la luz MicroBrite en sus manos, gire el cuerpo de la luz varias veces contrarreloj, para que el cable de la luz MicroBrite reciba varias "torceduras previas" en dirección contrarreloj. **Lea el Paso 5 antes de continuar al Paso 6.**
- Instalación de conducto seco/mojado (utilizar kit provisto), consultar la página 10: si el código requiere la instalación de una junta tórica en la luz en caso de la instalación de un conducto seco, instale la junta tórica tal como se describe en la página 10 y luego continúe con el Paso 6 debajo.**

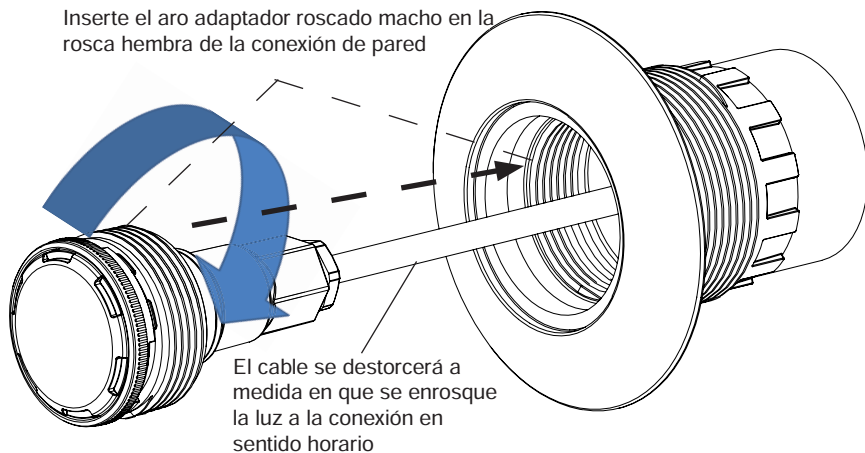
ANTES DE LA INSTALACIÓN



- Inserte la luz MicroBrite en la conexión de pared de 1.5". Comience el proceso de enroscar a mano las rosas macho del aro adaptador roscado blanco de MicroBrite en las rosas hembras de la conexión de pared.

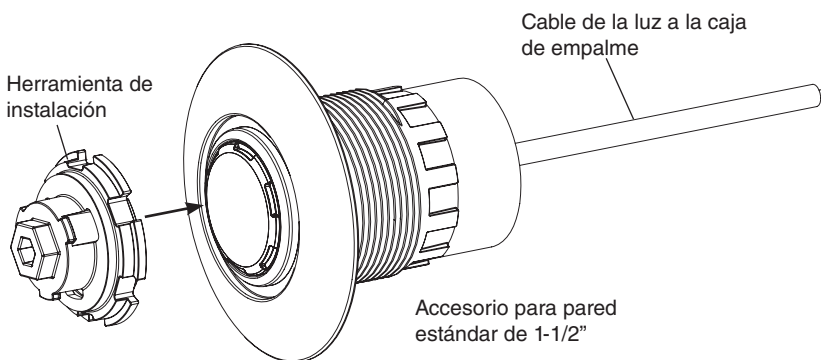
DURANTE LA INSTALACIÓN

A mano, gire la luz en sentido horario.
 Inserte el aro adaptador roscado macho en la rosca hembra de la conexión de pared



INSTALACIÓN DE CONDUCTO MOJADO (Continuación)

7. Coloque la herramienta de instalación de la luz MicroBrite (P/N 620459) sobre la parte frontal de la luz mientras gira la herramienta y la luz en sentido horario. Nota: si la luz no gira con facilidad, hale la luz ligeramente y asegúrese de que está sellada adecuadamente y que la conexión de pared no tiene escombros, luego reinstale la luz.
8. Gire la luz en sentido horario mientras la enrosca a la conexión de pared para destorcer el cable de alimentación.
9. Gire la luz en sentido horario (aproximadamente 5 vueltas) para que se enrosque firmemente a la conexión de pared.
10. **Nota: una vez instalada la luz firmemente, quite la herramienta y asegúrese de que no se puede desenroscar la luz con sus dedos. La luz debe estar segura en su lugar para que solo pueda quitarse con el uso de una herramienta liviana de instalación.**

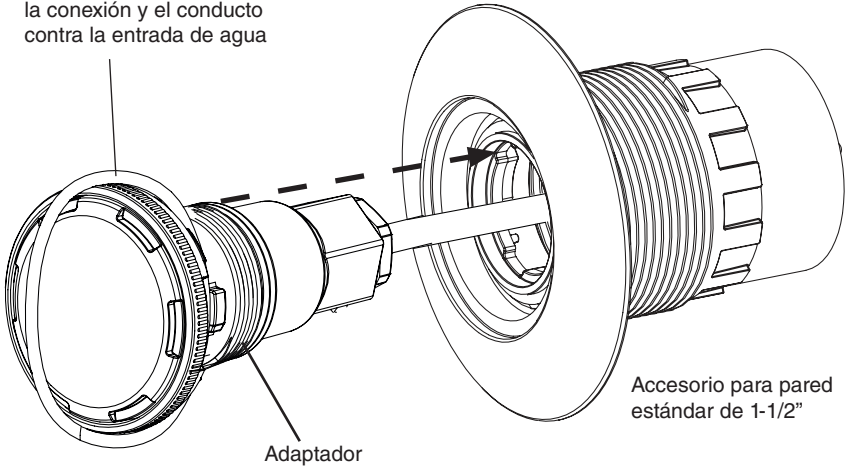


Continúe a la instalación del cableado de la luz en la página 11.

INSTALACIÓN DE CONDUCTO SECO/MOJADO (UTILIZAR KIT PROVISTO)

1. **Nota: el nivel de agua de la piscina debe estar por debajo del nivel de la conexión de retorno de 1.5" donde se instalará la MicroBrite.**
2. Siga los pasos 1 al 10 de la instalación del Conducto mojado tal como se describe en las páginas 7, 8 y 9.
En el paso 4, asegúrese de instalar la Junta tórica opcional en la parte posterior de la luz MicroBrite.
3. Hale la junta tórica sobre la parte frontal del lente de la luz y colóquela detrás del cuerpo del lente.
4. Aplique el lubricante provisto en la junta tórica.
5. Presione con la mano el cuerpo de la luz en la conexión de pared hasta que se asiente la junta tórica dentro de la conexión de pared.
6. Retome el proceso de instalación en el Paso 6 (consulte la página 8).

Instale la junta tórica y luego aplique lubricante para sellar la conexión y el conducto contra la entrada de agua



APLICACIONES DE RENOVACIÓN DE LA FIBRA ÓPTICA

La luz MicroBrite™ puede ajustarse a muchas aplicaciones de renovación de la fibra óptica.

IMPORTANTE:

1. Antes de continuar con la instalación de la renovación de la fibra óptica, verifique que la luz MicroBrite se ajuste de manera apropiada antes de retirar el sistema de fibra óptica.
2. Consulte los dibujos dimensionales de luz MicroBrite en la página 21.
3. Lea todas las instrucciones para verificar que todas las conexiones de 1.5" en la piscina tengan las dimensiones adecuadas para permitir que la luz MicroBrite se ajuste correctamente.
4. Asegúrese de que el conducto que se utilizó anteriormente como carcasa para los cables de fibra óptica cumpla con todos los códigos y regulaciones aplicables que se corresponden con los conductos eléctricos que se usan en las piscinas.

Instalación del cableado de la luz LED MicroBrite™ blanca y de colores

Para conectar la luz MicroBrite al transformador o la caja de empalme:

1. Dirija el cable de alimentación de la luz MicroBrite a través de la conexión de pared hasta la ubicación del transformador o caja de empalme de 12 VAC de la piscina.
2. Corte el cable sobrante en el transformador de 12 VAC o en la caja de empalme. Deje al menos 15.2 cm (6 pulgadas) de cable en la caja de empalme o el transformador para facilitar la instalación de la luz y la inspección de la conexión de pared. Corte el cable sobrante.
Consulte la Figura 1 en la página 5, para la instalación de la caja de empalme en los Estados Unidos, vea la Figura 2 en la página 6 para la instalación de la caja de empalme en Canadá.
3. Conecte los dos (2) conductores a los cables de circuito correspondiente en la caja de empalme. Asegure la cubierta de la caja de empalme.

Nota: cuando se usa cableados más largos o varias luces por transformador, se recomienda que use el derivador de 13 VAC o hasta el de 14 VAC en su transformador.

4. Antes de operar la luz MicroBrite, llene la piscina con agua hasta que la luz esté completamente sumergida.

Nota: la luz de colores MicroBrite no debe encenderse durante más de 30 segundos si no está sumergida bajo el agua.

5 **Revisión final del correcto funcionamiento de la luz MicroBrite:**

Conecte el interruptor principal o interruptor de circuito al transformador de 12 VAC y al interruptor que enciende la luz LED MicroBrite. La luz debería iluminar cuando recibe alimentación de 12 VAC. Si no ocurre, repase los pasos de la instalación.

REEMPLAZO DEL ENSAMBLAJE DE LA LUZ LED DE COLORES Y BLANCA MICROBRITE™ (EN UNA PISCINA O SPA EXISTENTE)

⚠ PELIGRO



¡Riesgo de descarga eléctrica o electrocución!

La instalación de esta luz subacuática debe estar a cargo de un electricista con licencia o certificado o de un profesional calificado de mantenimiento de piscinas conforme a las normas actuales NFPA 70 del Código Eléctrico Nacional (NEC) o CSA C22.1 del Código Eléctrico de Canadá (CEC). Una instalación inadecuada generará un riesgo eléctrico que podría causar la muerte o lesiones graves a usuarios de la piscina, instaladores y otras personas debido a una descarga eléctrica, y también podría provocar daños a la propiedad.

Siempre desconecte la conexión de la luz de la piscina desde el interruptor de circuito antes de realizar tareas de mantenimiento. Si no lo hace, la persona a cargo del trabajo o los usuarios de la piscina podrían sufrir lesiones graves o la muerte debido a choque eléctrico.

AVISO IMPORTANTE: LA LUZ DE COLORES Y BLANCA MICROBRITE NO ES UNA LUZ APTA PARA MANTENIMIENTO. SE DEBE REEMPLAZAR TODA LA UNIDAD DE LUZ

⚠ ADVERTENCIA

Verifique que la piscina o el spa cumplan con los requisitos actuales del Código Eléctrico Nacional y todos los códigos y ordenanzas locales. Un electricista con licencia o certificado debe instalar el sistema eléctrico de manera que cumpla o exceda los requisitos antes de instalar la luz subacuática. Los siguientes son algunos de los requisitos del Código Eléctrico Nacional que debe cumplir el sistema eléctrico de la piscina:

- La caja de empalme y el transformador de bajo voltaje deben estar ubicados al menos 4 (cuatro) pulgadas (10.16 cm) por encima del nivel del suelo u ocho (8) pulgadas (20.3 cm) por encima del nivel máximo de agua de la fuente, el que sea más alto. La caja de empalme debe estar a una distancia de al menos 48 pulgadas (123 cm) del borde la piscina. Vea la figura 1 en la página 8.
- La conexión de pared de la luz MicroBrite debe instalarse adecuadamente para que el borde superior del lente de la luz MicroBrite esté al menos a 4 pulgadas (10.16 cm) por debajo (no más de 48 pulgadas (123 cm) por debajo en Canadá) de la superficie del agua en la piscina o spa. Vea la figura 1 en la página 8.
- Para estar seguro de que el sistema eléctrico de la piscina o el spa cumple con todos los requisitos correspondientes, el electricista debe también consultar al departamento de construcción local.

AVISO IMPORTANTE: LA LUZ DE COLORES Y BLANCA MICROBRITE™ NO ES UNA LUZ APTA PARA MANTENIMIENTO. SE DEBE REEMPLAZAR TODA LA UNIDAD DE LUZ

Las siguientes instrucciones de remoción e instalación describen cómo quitar e instalar la unidad de luz MicroBrite

AVISO IMPORTANTE: LA LUZ MICROBRITE NO ES UNA LUZ APTA PARA MANTENIMIENTO. SE DEBE REEMPLAZAR TODA LA UNIDAD DE LUZ.



No instalar el sistema eléctrico de la piscina o el spa de manera que esté en línea con los requisitos del código antes de instalar la luz sumergida generará un riesgo eléctrico que podría causar la muerte o lesiones graves a usuarios de la piscina, instaladores y otras personas debido a una descarga eléctrica, y también podría provocar daños a la propiedad.

1. **Apague el interruptor principal o interruptor de circuito que alimentan la electricidad,**
2. Quite la tapa de la caja de empalme o del transformador. Desconecte los cables de la luz y recubra el cable de alimentación existente con cinta pasacable. *Esto le ayudará a tirar del cable de la luz de reemplazo para pasarlo por el conducto y hasta la caja de empalme.*
3. **Reemplazo del ensamblaje de la luz MicroBrite en una piscina o spa existente:** con la herramienta de instalación provista (P/N 620458), rote la unidad de la luz contrarreloj haciendo un giro de 1/8 para liberar la luz de la conexión de pared.
4. Quite cuidadosamente la luz conectada al cable (con la cinta pasacable) fuera de la conexión de pared. Tire del cable de conexión de la luz y de la cinta pasacable para sacarlos de la conexión de pared y ponga la luz sobre la plataforma.
5. Anexe el cable de la luz nueva a la cinta pasacable y páselos cuidadosamente hasta la caja de empalme.
6. **Instale la luz en la conexión de pared:** véase las páginas 7 a 10 para instrucciones de instalación de la luz.
7. **Conecte los dos (2) conductores a los cables de circuito correspondiente en la caja de empalme:** consulte la página 11 para ver instrucciones del cableado de la luz.
8. **Revisión final:** consulte la página 11 para instrucciones de revisión final.

CONEXIÓN DEL CENTRO DE CARGA DEL SISTEMA DE CONTROL EASYTOUCH® O INTELLITOUCH® DE LAS LUCES LED MICROBRITE™ DE COLORES Y BLANCA AL A UN RELÉ AUXILIAR



PELIGRO

RIESGO DE DESCARGA ELÉCTRICA O ELECTROCUCIÓN

Siempre desconecte la fuente de alimentación de CA de los centros de carga de los sistemas de control EasyTouch e IntelliTouch desde el interruptor de circuito antes de realizar tareas de mantenimiento o extraer el **PANEL FRONTAL DE ALTO VOLTAJE**. No hacerlo podría provocar la muerte o lesiones graves en el instalador, persona a cargo del mantenimiento, usuarios de la piscina u otras personas por choque eléctrico.

1. **Centro de carga del sistema de control EasyTouch o IntelliTouch:** quite el pestillo con resorte de la puerta y ábrala.
2. **Descargue la energía electrostática antes de quitar la tapa. Para ello, primero toque la parte metálica de la carcasa.**
3. Afloje los dos (2) tornillos de ajuste del PANEL FRONTAL DE ALTO VOLTAJE. Quite el panel de la carcasa.
4. Pase el cable de alimentación de la luz MicroBrite al transformador que está adjunto al relé auxiliar en el centro de carga del sistema de control EasyTouch/IntelliTouch.
5. Conecte el lado de 120 VAC de un transformador de 12 VAC al LADO DE CARGA de uno de los relés auxiliares (AUX) del centro de carga.
6. Conecte el conductor neutro del transformador de 12 VAC al bus neutro del centro de carga.
7. Una vez completada la conexión, cierre el panel de control y fíjelo con los dos (2) tornillos de retención.
8. Cierre la puerta frontal del centro de carga. Asegure el pestillo con resorte.

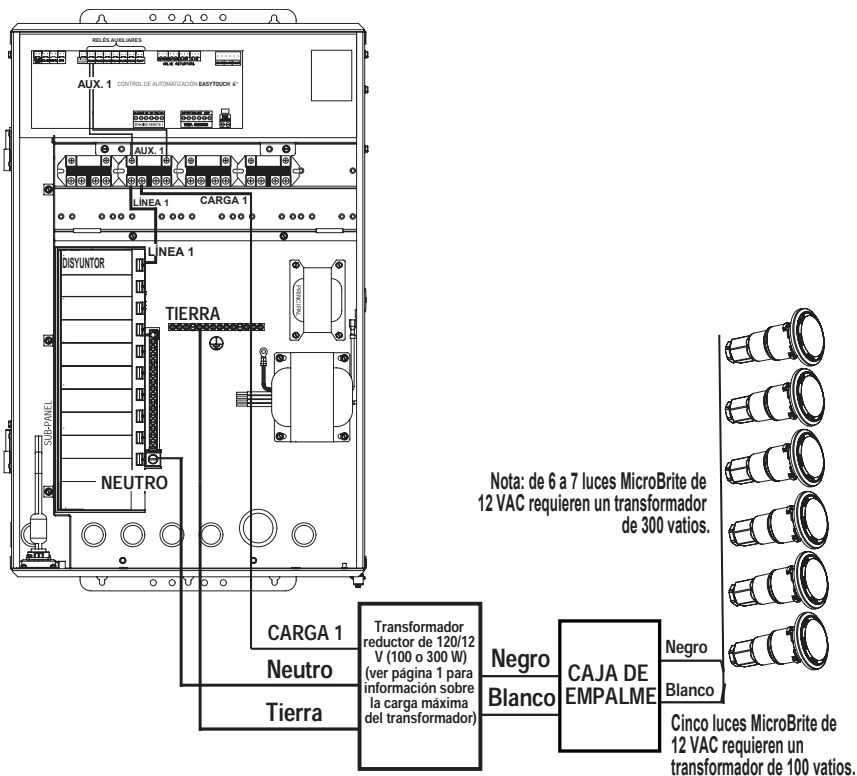


Diagrama de cableado del centro de carga del sistema de control EasyTouch® e IntelliTouch®

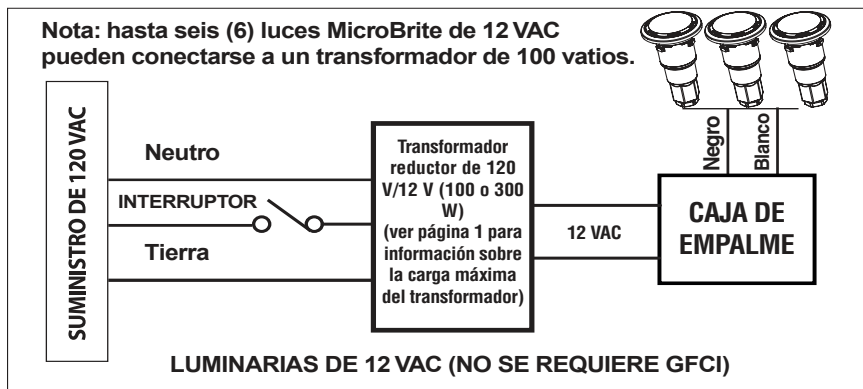


Diagrama de cableado de la luz MicroBrite™ y la conexión de pared

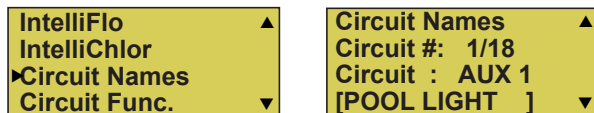
CONFIGURACIÓN DE LAS LUCES LED BLANCAS Y DE COLOR MICROBRITE™ CON EL SISTEMA DE AUTOMATIZACIÓN EASYTOUCH® E INTELLITOUCH®

Sistema de automatización EasyTouch®

A continuación se describe cómo configurar la luz MicroBrite desde el panel de control para interiores del sistema de control EasyTouch® o desde el panel de control inalámbrico del sistema de control EasyTouch. Puede controlar el programa de luces desde el panel de control del sistema de control EasyTouch.

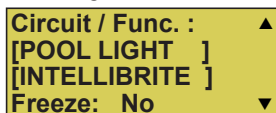
Para configurar un circuito de MicroBrite; asigne el «Nombre del circuito de luz» al circuito del relé (por ejemplo, AUX 3 como «luz de la piscina») y su «función»: asigne el nombre de circuito «Luz de piscina» en el menú Circuito Func. como un circuito de «luz» (IntelliBrite). Después de asignar el nombre y la función del circuito, desde el menú CONFIG se puede configurar la posición de la luz, el color, etc. del circuito «Luz de piscina».

Para asignar un nombre de circuito, vaya a: MENU > SETTINGS > CIRCUIT NAMES



1. Oprima el **botón Up/Down** para seleccionar un número de circuito del 1 al 18. Oprima el botón Up dos veces para seleccionar **AUX 1** si desea elegir este circuito para un botón de encendido/apagado de un circuito de luz. El número de circuito (1/18) corresponde a su nombre de circuito asignado.
2. Oprima el **botón Up/Down** para pasar por el listado de nombres previamente configurados. Seleccione un nombre como «Pool Light» (luz de piscina). Ahora el AUX 1 tiene el nombre «Pool Light».

Para asignar una función al circuito, vaya a: MENU > SETTINGS > CIRCUIT FUNC.



3. Oprima el botón Menu para volver al menú de configuración. Oprima el botón hacia Abajo y seleccione «Circuit Func.» Oprima el botón derecho para acceder a Circuit Func. menú.
4. Oprima el **botón Up/Down** para seleccionar el nombre de circuito ya asignado «Pool Light».
5. Oprima el **botón derecho** para ver «Circuit Functions» (funciones del circuito) para asignar al circuito «Pool Light».
6. Oprima el **botón Up/Down** para seleccionar el tipo de función de circuito de luz que quiere usar. Seleccione "INTELLIBRITE" para la función del circuito de la luz MicroBrite.
7. Oprima el botón Menu tres veces para volver a la pantalla principal.

Operación de las luces MicroBrite: la luz MicroBrite está lista para controlar mediante el botón 1 (circuito auxiliar 1) del panel de control EasyTouch. Para acceder a la pantalla del menú de luces (*funciones especiales de iluminación*), oprima **Menu > Lights**. Las siguientes son las configuraciones del menú de luces: MODES, COLORS, ALL ON, ALL OFF, SYNC, MAGICSTREAM, CONFIG: puede controlar el programa de luces desde la pantalla Modos. Para acceder a la pantalla del menú de Modos, oprima Menu > Lights > Modes. Consulte la página 2 para obtener más información sobre los colores de luces de MicroBrite.

Sistema de control IntelliTouch®

A continuación se describe cómo configurar la luz MicroBrite™ desde el panel de control del sistema de control EasyTouch® o desde el panel de control del sistema de automatización IntelliTouch. Para acceder a las pantallas de luces de MicroBrite desde el panel de control para interiores del sistema de control IntelliTouch o desde el panel de control remoto MobileTouch® inalámbrico.

Asignación de un nombre de circuito

Para identificar la luz MicroBrite conectada a los circuitos auxiliares (AUX 1, AUX 2) del centro de carga del sistema de control IntelliTouch, debe asignar el nombre de circuito de luces MicroBrite a sus correspondientes circuitos auxiliares en el panel de control de interiores del sistema de control IntelliTouch. Elija un nombre de circuito de la lista previamente configurada de nombres para la luz MicroBrite conectado al relé auxiliar instalado en el centro de carga de IntelliTouch.

Asignación de un nombre de circuito para las luces MicroBrite: para asignar un nombre de circuito para las luces MicroBrite, vaya a: **MENU > SETUP > ADVANCED > CIRCUIT NAMES > ASSIGN CIRCUIT NAMES > DISPLAY.**

Seleccionar DISPLAY 1, 2, 3 o 4: se puede acceder a los circuitos auxiliares que controlan los equipos de la piscina y el spa desde la pantalla «Display» (mostrar) del panel de control de interiores o del panel de control inalámbrico MobileTouch. Al seleccionar el botón al lado de Display 1, 2, 3 o 4 aparece la pantalla con los circuitos del centro de carga o fuente de alimentación de esa expansión en particular. Desde esta pantalla también se pueden asignar «Feature Circuits».

Para asignar nombres de circuito para una pantalla en particular:

Display 1: esta pantalla muestra nombres de circuito para modos de bomba de filtro, piscina y spa, y todos los circuitos de alto voltaje conectados al centro de carga o fuente de alimentación principal. **Display 2:** esta pantalla muestra nombres de circuito para los circuitos auxiliares adicionales conectados al primer centro de expansión (centro de carga o fuente de alimentación). **Display 3:** esta pantalla muestra nombres de circuito para los circuitos auxiliares adicionales conectados al segundo centro de expansión (centro de carga o fuente de alimentación). **Display 4:** esta pantalla muestra nombres de circuito para los circuitos auxiliares adicionales conectados al tercer centro de expansión (centro de carga o fuente de alimentación).

Para asignar un nombre de circuito para las luces MicroBrite para la PANTALLA PRINCIPAL:

1. Seleccione el botón al lado de Display 1. Los siguientes nombres de circuito aparecerán en la pantalla principal. Nota: si hay un centro de carga o fuente de alimentación de expansión instaladas, seleccione la Display 2, 3 o 4 que corresponda, asociada a ese centro de carga o fuente de alimentación de expansión.
2. Desde la pantalla Main Display, oprima el botón al lado de AUX 1. Aparecerá una pequeña flecha que apunta a AUX 1.
3. Use los botones hacia arriba y hacia abajo de la parte inferior de la pantalla para pasar por la lista alfabética de nombres de equipos previamente configurados. Elija el nombre de equipo que combine con la etiqueta de nombre del botón número 1 en el panel de control de exteriores del centro de carga.
4. Siga dando nombre a los otros circuitos auxiliares (AUX 2, AUX 3, etc.): después de seleccionar el nombre que desea usar para AUX 1, oprima el botón al lado de AUX 2 y elija un nombre de circuito. La flecha pequeña indica qué circuito fue seleccionado para darle un nombre.
5. Repita el proceso para asignar los demás equipos a circuitos en esta pantalla.
6. Cuando haya terminado de asignar nombres a los circuitos de equipos, oprima el botón Save. Oprima el botón Exit para volver a la pantalla principal.
7. **VAYA A LA PRÓXIMA PÁGINA para configurar el «Function Circuit» (circuito de función) de MicroBrite.**

Configurar un circuito de función de las luces LED blancas y de color MicroBrite™

Para configurar un circuito AUX para controlar las luces MicroBrite, asigne a la función de luz del circuito un circuito de relé auxiliar (AUX 1), luego asigne un número de circuito a ese circuito de luz. El nombre del circuito de luz aparecerá en la pantalla principal. Se debe asignar una función de circuito a cada luz MicroBrite.

Para asignar un nombre de circuito para las luces MicroBrite, vaya a: MENU > SETUP > ADVANCED > CIRCUIT FUNCTIONS

Configuración del circuito de función de las luces MicroBrite: asigne un nombre de circuito al circuito de relé auxiliar de cada luz. Luego asigne a ese circuito de relé de luz en la sección «CIRCUIT FUNCTIONS», como «INTELLIBRITE».

Para configurar una función de circuito para las luces MicroBrite (use el nombre de circuito «IntelliBrite»):

1. Oprima el botón al lado del botón AUX (el circuito de relé auxiliar conectado a la luz de MicroBrite (IntelliBrite)).
2. Oprima el botón sobre la derecha o la izquierda (PREV/NEXT) al lado de «INTELLIBRITE». Desplácese por las funciones de circuito hasta que aparezca «INTELLIBRITE».
3. Oprima el botón SAVE en la parte inferior de la pantalla. Oprima el botón EXIT para volver a la pantalla principal.

Asignar el circuito de las luces MicroBrite a la pantalla de luces:

4. Oprima el botón Lights en la parte inferior de la pantalla.
5. Oprima el botón sobre la derecha al lado de «CONFIGURE».
6. Oprima el botón al lado de «NONE» para asignar un circuito de luz IntelliBrite al botón seleccionado. Los nombres de las luces se pueden configurar para que aparezcan a la izquierda para las funciones de «Spa» y a la derecha para las funciones de «Pool» (piscina).
7. Oprima el botón superior derecho o izquierdo para desplazarse por los circuitos de luz disponibles para usar para las funciones de iluminación de MicroBrite (IntelliBrite). Seleccione el nombre de circuito que desea usar. Los nombres de circuito que aparecen son nombres que se asignaron previamente al asignar una función de circuito.

Operación y selección de los modos de color de MicroBrite (Luz de colores IntelliBrite®)

Puede seleccionar varios efectos del programa de luces de colores ya preestablecidos desde la pantalla «Modos», tales como «Modo American» y «Modo Atardecer», así como la luz de colores cambiantes SAM (una imitación del sistema de colores Sam). También puede capturar y guardar un efecto único de colores con la función «Hold» y «Recall» para recrearlo un poco más tarde.

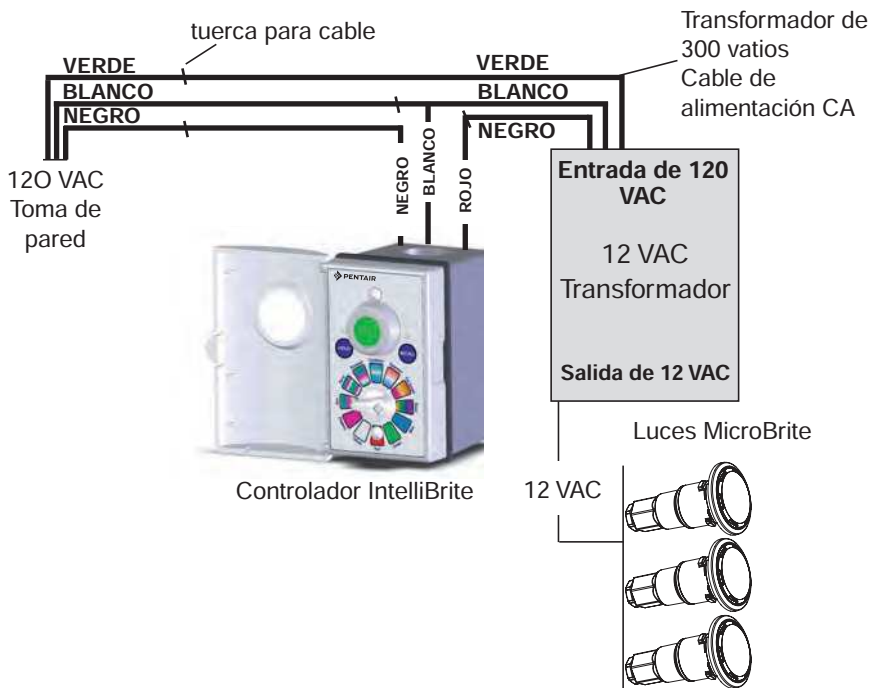
Pantalla de modos

Para acceder a los «Modos» de programas de luces de colores IntelliBrite® desde la pantalla Lights, presione el botón de luces en la parte inferior de la pantalla y luego presione el botón situado a la izquierda junto a «MODES».

Características especiales de iluminación: pueden aparecer hasta doce (12) circuitos de luz IntelliBrite en la pantalla principal de iluminación (características especiales de iluminación). Desde la pantalla Lights puede activar las funciones de luces IntelliBrite (por ej., color swim, color set). Suponiendo que cada luz MicroBrite (IntelliBrite) tenga su propio relé y circuito por separado.

Conexión de las luces LED blancas y de colores MicroBrite™ al controlador IntelliBrite® y transformador de 300 vatios

El siguiente diagrama muestra cómo conectar las luces MicroBrite a un controlador IntelliBrite utilizando un transformador de 300 vatios. Nota: consulte la página 2 para ver instrucciones sobre la operación de la luz MicroBrite.



Resolución de problemas (Luces MicroBrite)

La luz no funciona correctamente: procure que la luz reciba la alimentación de 12 VAC.

Resolución de problemas (Controlador IntelliBrite)

Ambas luces LED están parpadeando: revise la conexión de cableado de la luz a la caja de empalme al lado de la piscina y al interruptor de alimentación CA.

El controlador IntelliBrite ha detectado que la carga ha excedido el vataje máximo permitido o que ha ocurrido un corto circuito en la salida.

1. Cómo apagar el controlador IntelliBrite. Elimine la carga excesiva o el corto circuito.
2. Presione el interruptor de alimentación del controlador IntelliBrite de la unidad. Asegúrese de que las luces LED ya no estén parpadeando.

Lista de partes de las luces LED blancas y de color MicroBrite™

Lista de partes de las luces LED blancas y de color MicroBrite

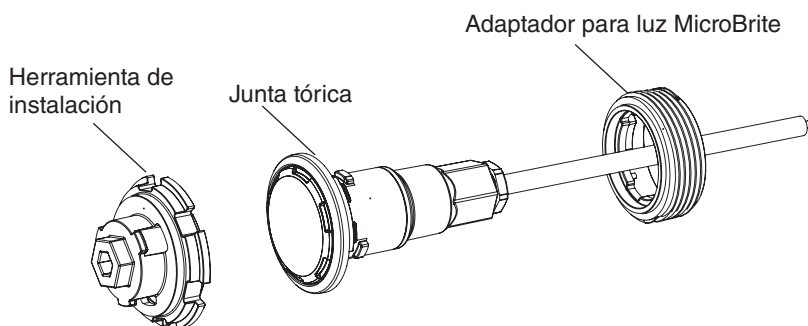
Parte N.º	Descripción
602424	Cable de 50 pies para luz de color MicroBrite de 12 VAC
602425	Cable de 100 pies para luz de color MicroBrite de 12 VAC
602426	Cable de 150 pies para luz de color MicroBrite de 12 VAC
602428	Cable de 50 pies para luz blanca MicroBrite de 12 VAC
602429	Cable de 100 pies para luz blanca MicroBrite de 12 VAC
602430	Cable de 150 pies para luz blanca MicroBrite de 2 VAC

Paquetes de luces LED MicroBrite de colores y blanca

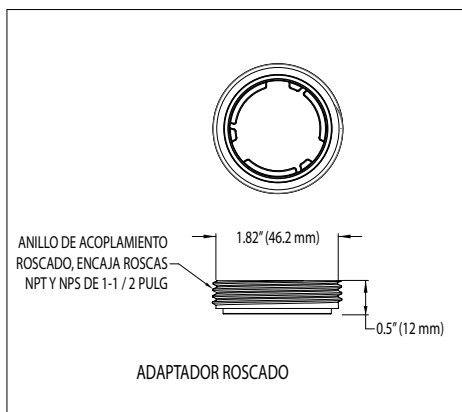
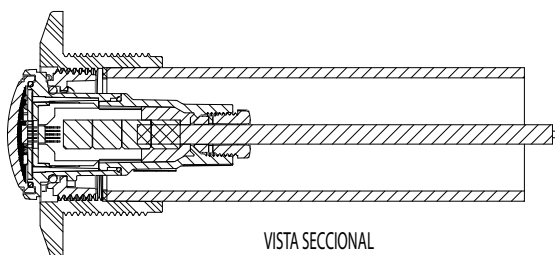
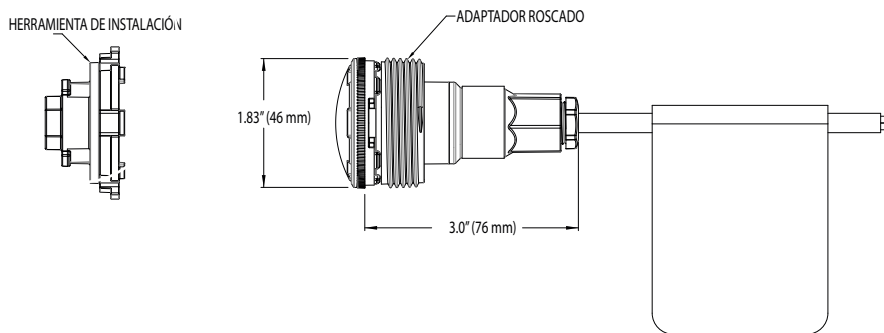
Parte N.º	Descripción
620427	Combo de dos luces MicroBrite de colores de 100 pies con transformador de 300 vatios
620431	Combo de dos luces MicroBrite blancas de 100 pies con transformador de 300 vatios

Kits de reemplazo de luces LED MicroBrite de colores y blanca

Parte N.º.	Descripción
620460	Adaptador para luz MicroBrite (repuesto)
620459	Herramienta de instalación (repuesto)
620463	Junta tórica para sellar conductos (repuesto)



Dimensiones de las luces LED blancas y de color MicroBrite™



Página en blanco

Página en blanco



1620 HAWKINS AVE., SANFORD, NC 27330 • (919) 566-8000

10951 WEST LOS ANGELES AVE., MOORPARK, CA 93021 • (805) 553-5000

WWW.PENTAIRPOOL.COM

Todas las marcas comerciales y logotipos de Pentair son propiedad de Pentair, Inc. Pentair Aquatic Systems®, MicroBrite™, IntelliBrite®, AmerBrite®, MobileTouch®, EasyTouch® e IntelliTouch® son marcas comerciales o marcas registradas de Pentair Water Pool and Spa, Inc. o de sus compañías asociadas en los Estados Unidos o en otros países. Dichos nombres y marcas pueden ser marcas comerciales o marcas registradas de esos terceros. Hayward® es marca registrada de Hayward Industries, Inc. y Waterway™ es una marca comercial de Waterway Plastics, Inc., y CMP® es una marca comercial registrada de Custom Molded Products, LLC. Como mejoramos continuamente nuestros productos y servicios, Pentair se reserva el derecho de modificar las especificaciones sin previo aviso. Pentair es un empleador que ofrece igualdad de oportunidades.

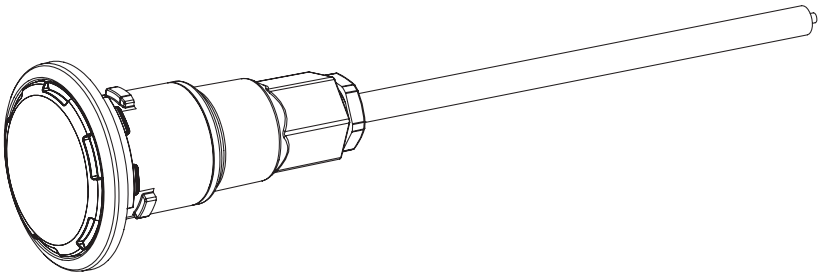
© 2018 Pentair Water Pool and Spa, Inc. Todos los derechos reservados.
Este documento está sujeto a cambios sin previo aviso.



P/N 523371.A 4/2018



LAMPE DEL
MICROBRITE™
BLANCHE ET DE COULEUR POUR PISCINE ET SPA



GUIDE
D'INSTALLATION
ET D'UTILISATION

IMPORTANTES CONSIGNES DE SÉCURITÉ
LISEZ ET SUIVEZ TOUTES LES INSTRUCTIONS
CONSERVEZ CES INSTRUCTIONS

Soutien technique

Téléphone : **800 831-7133** – Télécopieur : **800 284-4151**

Sites Web : www.pentairpool.com et www.staritepool.com :

Sommaire

AVERTISSEMENTS ET CONSIGNES DE SÉCURITÉ

IMPORTANTES..... iii

Aperçu de la lampe MicroBrite blanche et de couleur pour piscine	1
Fonctionnement des lampes MicroBrite avec un interrupteur mural	1
Fonctionnement des lampes MicroBrite avec un système d'automatisation	1
Utilisation d'un transformateur externe pour plusieurs lampes MicroBrite de 12 VCA	1
Puissance maximale pour l'utilisation de plusieurs lampes de couleur ou blanches (avec un transformateur de séparation de 300 watts)	1
Fonctionnement des lampes MicroBrite de couleur avec un interrupteur mural	2
Alimentation des lampes MicroBrite de couleur	2
Sélection d'un mode de spectacle de lumières ou d'une couleur fixe pour la lampe MicroBrite à l'aide d'un interrupteur mural	3
Enregistrement d'un mode de couleur ou d'une couleur fixe	3
Lampe MicroBrite blanche	3
Alimentation de la lampe MicroBrite blanche	3
Sélection de la luminosité de la lampe MicroBrite blanche à l'aide d'un interrupteur mural	3
Sélection d'un mode de spectacle de lumières de couleur pour la lampe MicroBrite à l'aide d'un contrôleur IntelliBrite	4
Installation de la lampe MicroBrite (raccords muraux de 1,5 po, nouvelle piscine – É.-U.)	5
Installation de la lampe MicroBrite (raccords muraux de 1,5 po, nouvelle piscine – Canada)	6
INSTALLATION DE CONDUITS HUMIDES	7
Tableau des raccords muraux compatibles avec les lampes MicroBrite	7
INSTALLATION DE CONDUITS SECS/SCÉLLÉS (À L'AIDE DE LA TROUSSE FOURNIE).....	10
Réinstallations À Fibre Optique	11
Installation du câblage des lampes blanches et de couleur MicroBrite	11
Remplacement de l'ensemble de lampes MicroBrite (dans une piscine ou un spa existant)	13
Branchement des lampes MicroBrite au tableau de répartition EasyTouch/IntelliTouch	15
Configuration des lampes MicroBrite avec le système d'automatisation EasyTouch/ IntelliTouch.....	16
Branchement des lampes MicroBrite au contrôleur IntelliBrite et au transformateur de 300 W.....	20
Dépannage (lampes MicroBrite/contrôleur IntelliBrite)	20
Liste des pièces des lampes MicroBrite blanches et de couleur	21
Trousse de remplacement des lampes MicroBrite blanches et de couleur	21
Dimensions des lampes MicroBrite blanches et de couleur	22

LISEZ ET SUIVEZ TOUTES LES INSTRUCTIONS DE CE MANUEL

N° de pièce 523371 Rév. A 04/2018

Guide d'installation et d'utilisation des lampes MicroBrite blanches et de couleur

MISE EN GARDE ET CONSIGNES ET SÉCURITÉ IMPORTANTES



UNE INSTALLATION ET UNE UTILISATION INAPPROPRIÉE DE CETTE LAMPE RISQUENT DE CAUSER DE GRAVES BLESSURES CORPORELLES OU LA MORT.



LES INSTALLATEURS, LES EXPLOITANTS ET LES PROPRIÉTAIRES DE PISCINES DOIVENT LIRE CES AVERTISSEMENTS ET TOUTES LES INSTRUCTIONS AVANT D'UTILISER LA LAMPE POUR PISCINE ET SPA.



La plupart des codes des États, des provinces et des municipalités réglementent la construction, l'installation et l'exploitation des piscines et spas publics ainsi que la construction des piscines et spa résidentiels. Il est important de se conformer

à ces codes, dont beaucoup réglementent directement l'installation et l'utilisation de ce produit. Pour de plus amples renseignements, consultez le code du bâtiment et le code sanitaire locaux.



REMARQUE IMPORTANTE – À l'intention de l'installateur : Ce guide d'installation et d'utilisation (« Guide ») contient des renseignements importants sur l'installation, le fonctionnement et l'utilisation sécuritaires de cette lampe sous l'eau pour piscine et spa. Ce guide doit être remis au propriétaire et/ou à l'utilisateur de cet équipement.



Avant d'installer ce produit, lisez et suivez l'ensemble des instructions et des mises en garde figurant dans le Guide. Le non-respect des avertissements et des instructions pourrait entraîner des blessures graves, un décès ou des

dommages à la propriété.

Composez le 800 831-7133 pour obtenir gratuitement des exemplaires supplémentaires de ces instructions. Veuillez consulter le www.pentairpool.com pour en savoir plus sur ces produits.



RISQUE DE CHOC ÉLECTRIQUE OU D'ÉLECTROCUTION :

LES LAMPES DE PISCINE SOUS L'EAU FONCTIONNENT À HAUTE TENSION ET PEUVENT CAUSER L'ÉLECTROCUTION, DES BRÛLURES OU LA MORT.



Avant de travailler sur les lampes ou de procéder à leur entretien, débranchez toujours l'alimentation des lampes de spa ou de piscine en fermant le disjoncteur. Le non-respect de cette règle risque de provoquer des blessures graves, voire la mort, aux personnes responsables de l'entretien, aux utilisateurs de la piscine ou autres à la suite d'un choc électrique. Lors de l'installation et de l'utilisation de cet équipement électrique, observez toujours les précautions de base en matière de sécurité.

Ce produit doit être installé par un électricien agréé ou certifié ou un professionnel des piscines qualifié en conformité avec le Code national de l'électricité (CNE) courant, le Code NFPA 70 ou le Code de l'électricité du Canada (CEC), CSA C22.1. Tous les codes et ordonnances d'installation locaux en vigueur doivent également être respectés. Une mauvaise installation est une source de danger électrique pouvant provoquer des blessures graves, voire la mort, aux utilisateurs de la piscine, aux installateurs ou autres à la suite d'une décharge électrique, et risque de plus de causer des dommages matériels. Débranchez toujours l'alimentation électrique de la lampe de la piscine au disjoncteur avant d'en faire l'installation ou la désinstallation. Le non-respect de cette règle risque de provoquer des blessures graves, voire la mort, aux personnes responsables de l'entretien, aux utilisateurs de la piscine ou autres à la suite d'un choc électrique.



Normes réglementaires pour les pays en conformité avec la Commission électrotechnique internationale (CEI) : La lampe doit être installée par un

électricien agréé ou certifié ou un professionnel des piscines qualifié en conformité avec la norme CEI 364-7-702 actuelle et tous les codes et règlements locaux en vigueur. Une mauvaise installation est une source de danger électrique pouvant provoquer des blessures graves, voire la mort, aux utilisateurs de la piscine, aux installateurs ou autres à la suite d'un choc électrique, et risque aussi de causer des dommages matériels.

MISE EN GARDE ET CONSIGNES ET SÉCURITÉ IMPORTANTES

INSTALLATEURS ET INSPECTEURS :

LES LAMPES DEL MICROBRITE™ BLANCHES ET DE COULEUR ET LE RACCORD MURAL FORMENT UN SYSTÈME COMPLET D'ÉCLAIRAGE À BASSE TENSION NON MÉTALLIQUE. CETTE CONFIGURATION NE REQUIERT PAS DE LIAISON OU DE MISE À LA TERRE SI ELLE EST ALIMENTÉE PAR UN TRANSFORMATEUR DE SÉPARATION DE 100 OU DE 300 WATTS COTÉ POUR PISCINES (RÉPERTORIÉ À LA PAGE 1) ET INSTALLÉ EN CONFORMITÉ AVEC LE CODE NATIONAL DE L'ÉLECTRICITÉ (CNE) COURANT.

DISPOSITIONS NEC POUR L'ÉCLAIRAGE SANS LIAISON : Lorsque les lampes non métalliques MicroBrite à basse tension homologuées UL sont utilisées, le NEC courant prévoit une exception pour la liaison et la mise à la terre du luminaire dans les articles 680.6 et 680.23.

DISPOSITIONS NEC DE COLLAGE D'EAU DE PISCINE : Pour la liaison en eau de piscine prévue dans l'article NEC 680.26C, les piscines en béton sont considérées comme conductrices (veuillez vous référer à l'article 680.26 (b)(1) en raison de la porosité du béton et de la liaison des barres d'armature. Aucune liaison supplémentaire n'est requise.

Remarque : Les lampes MicroBrite à installation horizontale et verticale sont homologuées UL.

LUMINAIRES FIXES POUR PISCINE ET SPA : Suivez ces directives lors de l'installation ou du remplacement des luminaires fixes de Pentair Water Pool and Spa :

UTILISEZ UN TRANSFORMATEUR DE SÉPARATION DE SÉCURITÉ SEULEMENT POUR FAIRE FONCTIONNER LA LAMPE.

Remarque : Branchez les deux fils aux fils du circuit correspondants dans le boîtier de raccordement (fil noir à l'alimentation, fil blanc au câble commun) CARACTÉRISTIQUE TECHNIQUE DES LUMINAIRES FIXES POUR PISCINE ET SPA : 12 VCA, 50/60 Hz.

REMARQUE IMPORTANTE : LA LAMPE DEL MICROBRITE BLANCHE OU DE COULEUR EST UNE LAMPE NON RÉPARABLE. L'ENSEMBLE COMPLET DE LA LAMPE DOIT ÊTRE REMPLACÉ.

⚠ ATTENTION : N'UTILISEZ PAS DE GRADATEUR AVEC LES LAMPES DEL MICROBRITE BLANCHES OU DE COULEUR. L'UTILISATION D'UN GRADATEUR CAUSERA DES DOMMAGES PERMANENTS À LA LAMPE.

Les lampes DEL MicroBrite™ blanches et de couleur sont homologuées UL pour être installées verticalement (vers le haut). Si la lampe est installée à la verticale, elle doit être placée au moins quatre pouces sous le niveau de l'eau.

L'installation verticale n'est recommandée que dans les zones non occupées de la piscine (p. ex. pour éclairer le rebord des piscines à débordement).

Aperçu des lampes DEL MicroBrite™ blanches et de couleur

Ce manuel décrit la façon d'installer, de remplacer et d'utiliser les lampes MicroBrite blanches et de couleur de 12 VCA pour piscine et spa. La lampe MicroBrite de couleur crée des couleurs vives et brillantes et des effets spectaculaires dans votre piscine. Choisissez l'un des sept réglages de spectacle de lumières de couleur préprogrammés ou l'une des cinq couleurs fixes pour créer une gamme pratiquement infinie d'effets d'éclairage sous-marins spectaculaires dans votre piscine ou votre spa. La lampe MicroBrite blanche de 12 VCA offre trois niveaux de luminosité différents. Pour de plus amples renseignements, voir la page 2.

Fonctionnement des lampes MicroBrite avec un interrupteur mural

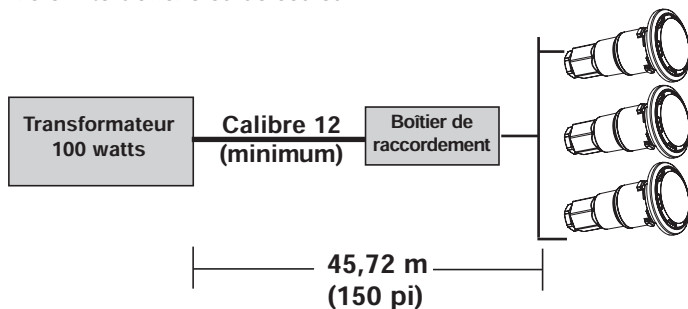
Les lampes MicroBrite peuvent être commandées manuellement à l'aide d'un interrupteur mural standard. Plusieurs lampes MicroBrite peuvent être branchées à un interrupteur unique au moyen d'un boîtier de raccordement et d'un transformateur de séparation de 12 VCA de façon à pouvoir les allumer et les éteindre de façon simultanée. Consultez le schéma de câblage à la page 15.

Fonctionnement des lampes MicroBrite avec un système d'automatisation

Les lampes de couleur MicroBrite peuvent également être commandées à l'aide des systèmes de contrôle Pentair IntelliTouch® et EasyTouch®. Pour de plus amples renseignements, veuillez vous référer au guide d'utilisation du système de contrôle IntelliTouch (n° de pièce 521075), au guide d'utilisation du système de contrôle EasyTouch (n° de pièce 521044) et au guide d'utilisation de la lampe IntelliBrite 5G (n° de pièce 619921).

Utilisation d'un transformateur de séparation de sécurité externe avec plusieurs lampes MicroBrite de 12 VCA

Il est recommandé de ne pas utiliser plus de six (6) lampes de couleur MicroBrite de 12 VCA sur un transformateur de **100 watts**. La longueur du câble ne doit pas dépasser 45,72 m (150 pi) entre le transformateur de séparation de 12 VCA et chaque lampe MicroBrite blanche ou de couleur.



Remarque : Si un câble plus long est nécessaire, il est recommandé d'utiliser des transformateurs de séparation de sécurité de **100 watts**, en s'assurant que la longueur de câble ne dépasse pas 45,72 m (150 pi) au total entre le transformateur et les lampes.

Puissance maximale lors de l'utilisation de plusieurs lampes de couleur ou blanches (avec un transformateur de séparation de 300 watts)

IMPORTANT! Si vous utilisez plusieurs lampes de 12 VCA pour piscine et spa Pentair, la puissance maximale totale d'éclairage est de 300 watts et ne doit pas dépasser 80 % de la valeur nominale. La puissance de chaque lampe est la suivante :

- Une lampe de piscine à DEL MicroBrite de couleur a une puissance maximale de 12 watts
- Une lampe de piscine à DEL MicroBrite blanche a une puissance maximale de 12 watts
- Une lampe de piscine AmerBrite® blanche (500 W) a une puissance maximale de 51 watts
- Une lampe de piscine AmerBrite blanche (400 W) a une puissance maximale de 44 watts
- Une lampe de piscine AmerBrite blanche (300 W) a une puissance maximale de 36 watts
- Une lampe de piscine AmerBrite de couleur a une puissance maximale de 36 watts
- Une lampe de piscine à DEL IntelliBrite® de couleur a une puissance maximale de 30 watts
- Une lampe de spa à DEL IntelliBrite de couleur a une puissance maximale de 18 watts

Fonctionnement des lampes DEL MicroBrite™ de couleur avec un interrupteur mural

Les lampes MicroBrite de couleur peuvent être utilisées avec un interrupteur mural standard (ou par le contrôleur IntelliBrite®, voir page 4). Plusieurs lampes MicroBrite de couleur peuvent être branchées à un interrupteur unique au moyen d'un boîtier de raccordement et d'un transformateur de 12 VCA de façon à pouvoir les allumer et les éteindre de façon simultanée. Les lampes MicroBrite de couleur sont commandées par le transfert de l'alimentation secteur au transformateur de 12 VCA à partir d'un interrupteur mural standard. En allumant et en éteignant l'interrupteur un certain nombre de fois, la lampe active l'un des sept modes de spectacle de lumières, affiche une couleur fixe ou active la fonction « Hold » (maintien) ou « Recall » (rappel).

Alimentation des lampes MicroBrite de couleur

Lorsque la lampe MicroBrite de couleur est mise sous tension, la couleur sélectionnée précédemment est automatiquement utilisée, sauf si la fonction HOLD (maintien) ou RECALL (rappel) a été précédemment activée.

Remarque : Si l'alimentation de la lampe est coupée pendant plus de cinq (5) secondes, le dernier mode de spectacle de lumières ou la couleur fixe s'affichera.

Sélection d'un mode de spectacle de lumières de couleur ou d'une couleur fixe pour la lampe MicroBrite à l'aide d'un interrupteur mural

Les lampes MicroBrite de couleur sont compatibles avec les modes de spectacle de lumières IntelliBrite® et peuvent être synchronisés avec les lampes IntelliBrite de couleur.

D'abord, mettez la lampe sous tension. Une lumière blanche s'allumera momentanément, suivie par la couleur précédemment sélectionnée. Pour sélectionner un mode de spectacle de lumières de couleur (1 à 7) ou une couleur fixe (8 à 12), éteignez et rallumez l'interrupteur mural un certain nombre de fois. Chaque nombre (1 à 12) indiqué ci-dessous correspond au nombre de fois que le commutateur doit être mis hors et sous tension pour activer un mode de spectacle de lumières ou une couleur fixe. Pour de plus amples renseignements sur l'enregistrement des effets de couleur en mode « spectacle », consultez les fonctions « Hold » (maintien) et « Recall » (rappel) à la page 4.

Nombre de cycles (1 à 14)

- 1 **Mode Sam :** Fait défiler les couleurs blanc, magenta, bleu et vert (imite la lumière de couleur changeante Sam de Pentair).
- 2 **Mode Fête :** Changement de couleurs rapide et dynamique.
- 3 **Mode Romantique :** Transitions de couleur lentes créant un effet hypnotisant et calmant.
- 4 **Mode Caraïbes :** Transitions entre une variété de bleus et de verts.
- 5 **Mode Américain :** Transitions entre les couleurs rouge, blanc et bleu évoquant le drapeau américain.
- 6 **Mode Coucher de soleil californien :** Transitions spectaculaires d'orange, de rouge et de magenta.
- 7 **Mode Royal :** Des tons plus riches et plus profonds.
- 8 **Bleu :** Couleur fixe.
- 9 **Vert :** Couleur fixe.
- 10 **Rouge :** Couleur fixe.
- 11 **Blanc :** Couleur fixe.
- 12 **Magenta :** Couleur fixe.
- 13 **Maintien :** Enregistre l'effet de couleur en cours lors d'un spectacle de lumières de couleur.
- 14 **Rappel :** Active le dernier effet de couleur enregistré.

Exemple : Pour sélectionner le **mode Coucher de soleil californien**, allumez l'interrupteur, puis éteignez et rallumez-le six (6) fois. Pendant le processus de commutation marche-arrêt, aucun éclairage ne se produira, puis une lumière blanche s'allumera momentanément.

⚠ MISE EN GARDE : Pendant le processus de commutation marche-arrêt, aucun éclairage ne se produira avant que la couleur sélectionnée ne s'affiche. Ce mode de fonctionnement est normal pendant le processus de commutation. Pendant cette période, la piscine et le spa resteront sombres et des précautions doivent être prises pour éviter les accidents imprévus. Le non-respect de cet avertissement peut entraîner des blessures graves ou la mort chez les utilisateurs de la piscine et du spa.

Enregistrement d'un mode de couleur ou d'une couleur fixe

Lorsque l'alimentation des lampes MicroBrite™ de couleur est coupée, le dernier mode de spectacle de lumières ou la dernière couleur fixe qui a été utilisé est sauvegardé. Lorsque le courant est rétabli, le dernier mode de spectacle de lumières ou la couleur fixe s'affichera. Par exemple, lorsque vous utilisez le mode Fête, éteignez la lumière. Attendez plus de cinq (5) secondes, puis rallumez la lampe pour lancer à nouveau le mode Fête.

Lampe MicroBrite blanche

Les lampes MicroBrite blanches peuvent être commandées à l'aide d'un interrupteur mural standard. Plusieurs lampes MicroBrite blanches peuvent être branchées à un interrupteur unique au moyen d'un boîtier de raccordement et d'un transformateur de 12 VCA de façon à pouvoir les allumer et les éteindre de façon simultanée. Les lampes MicroBrite blanches sont commandées par le transfert de l'alimentation secteur au transformateur de 12 VCA à partir d'un interrupteur mural standard. En allumant et en éteignant l'interrupteur un certain nombre de fois, vous pouvez choisir parmi trois niveaux de luminosité.

Alimentation de la lampe MicroBrite blanche

Remarque : Par défaut, la lampe MicroBrite blanche sort de l'usine en mode pleine luminosité (100 %).

Lorsque la lampe MicroBrite blanche est mise sous tension, le niveau de luminosité précédemment sélectionné est automatiquement utilisé. **Remarque** : Si l'alimentation de la lampe est coupée pendant plus de cinq (5) secondes, le dernier niveau de luminosité qui a été sauvegardé s'affichera.

Sélection de la luminosité de la lampe MicroBrite blanche avec un interrupteur mural

Les lampes MicroBrite blanches vous permettent de choisir parmi trois niveaux de luminosité (100 %, 75 % et 50 %). La lampe MicroBrite blanche s'allume toujours au niveau de luminosité le plus élevé (100 %), à moins qu'elle n'ait précédemment été réglée au niveau de luminosité moyenne (75 %) ou faible (50 %).

REMARQUE : Les modèles MicroBrite de couleur ne sont pas équipés de la fonctionnalité de gradation. Seules les lampes MicroBrite blanches sont munies de la fonctionnalité de gradation.

Pour sélectionner l'un des trois niveaux de luminosité (100 %, 75 % ou 50 %), allumez d'abord la lampe, puis sélectionnez le niveau de luminosité désiré en activant et en désactivant rapidement l'interrupteur un certain nombre de fois.

Voici comment sélectionner le niveau de luminosité de la lampe :

- **Luminosité 100 %** : Mettre la lampe **hors tension** et la remettre rapidement **sous tension** l'allumera à sa pleine intensité (luminosité de 100 %).
- **Luminosité 75 %** : **Éteindre, allumer, éteindre à nouveau et allumer à nouveau** la lampe l'allumera d'abord à sa pleine intensité, puis diminuera à une luminosité de 75 % après une seconde.
- **Luminosité 50 %** : **Éteindre, allumer, éteindre, allumer, éteindre à nouveau et allumer à nouveau** la lampe l'allumera d'abord à sa pleine intensité, puis diminuera à une luminosité de 75 % après une seconde et à 50 % après une autre seconde.

Sélection de la couleur et du mode de spectacle de lumières à l'aide d'un contrôleur IntelliBrite®

La lampe MicroBrite de couleur peut être commandée à l'aide du contrôleur IntelliBrite (n° de produit 600054, vendu séparément). Le contrôleur IntelliBrite® permet un contrôle complet de vos lampes MicroBrite de couleur. Il suffit de sélectionner l'un des spectacles de lumières ou l'une des couleurs fixes préprogrammées. Le contrôleur IntelliBrite peut être branché à des transformateurs de 12 VCA individuels ou multiples (300 W maximum) pour commander les lampes MicroBrite de couleur. Le contrôleur IntelliBrite peut également commander plusieurs lampes MicroBrite et IntelliBrite. Remarque : Pour connaître les instructions de câblage du contrôleur IntelliBrite, consultez la page 19.

Utilisation du contrôleur IntelliBrite : Les lampes MicroBrite de couleur sont compatibles avec les couleurs et les spectacles de lumières IntelliBrite et peuvent être synchronisées avec les lampes d'éclairage paysager IntelliBrite de couleur. Pour sélectionner un mode de spectacle de lumières ou une couleur fixe, tournez le cadran jusqu'à ce qu'il pointe vers le mode désiré. Le premier mode se trouve à « 9 heures » et les autres suivent dans le sens des aiguilles d'une montre.

Fonction de maintien et de rappel

Bouton/DEL « Hold » (maintien) : Appuyez sur ce bouton (DEL allumée) pour arrêter et enregistrer un effet de couleur lorsque l'un des spectacles de lumières est en cours. La DEL s'allume lorsque le bouton est pressé, indiquant que l'effet de couleur a été saisi.

Bouton/DEL « Recall » (rappel) : Utilisez ce bouton (DEL allumée) pour activer le dernier effet de couleur enregistré. La DEL s'allume lorsque le bouton est pressé, indiquant que l'effet de couleur est projeté.



INSTALLATION DE LA LAMPE DEL MICROBRITE™ BLANCHE ET DE COULEUR DANS UN RACCORD MURAL DE 1,5 PO

Les instructions suivantes décrivent la façon d'installer la lampe MicroBrite dans un raccord mural de 1,5 po. Remarque : Les lampes MicroBrite sont homologuées UL pour une installation horizontale et verticale.

AVANT DE COMMENCER : Les informations qui suivent décrivent les tâches qui doivent être effectuées par un électricien *avant* l'installation du raccord mural. Voir Figure 1 à la page 7.



Assurez-vous que la piscine ou le spa sont conformes aux exigences de l'article 680-22 du Code national de l'électricité (CNE) courant et de tous les codes et règlements locaux. Un électricien agréé ou certifié doit installer le système électrique afin de respecter ou de surpasser ces exigences avant l'installation de la lampe sous l'eau. Le système électrique de la piscine doit être conforme aux exigences du Code d'électricité national suivantes :

- Le boîtier de raccordement et le transformateur basse tension se situent à au moins quatre (4) pouces (10,16 cm) au-dessus du niveau du sol ou de huit (8) pouces (20,3 cm) au-dessus du niveau d'eau maximal, selon le plus élevé. Placez le boîtier de raccordement à au moins 48 po (1,22 m) du bord de la piscine. Voir Figure 2 à la page 8.
- L'électricien doit également consulter le service local des bâtiments afin de s'assurer que les systèmes électriques de la piscine ou du spa sont conformes aux exigences en vigueur.

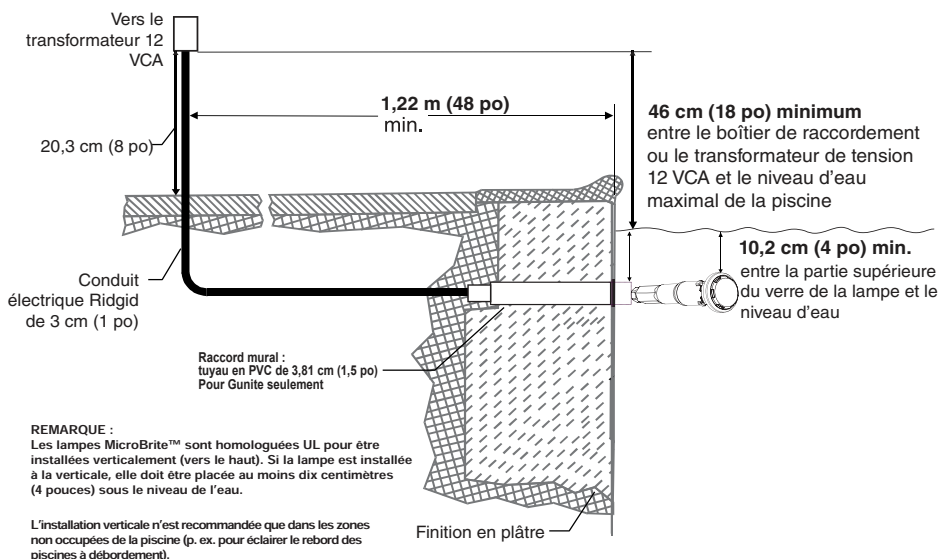


Figure 1.

REMARQUE : CONSULTER LA PAGE 21 POUR OBTENIR LES DIMENSIONS DE LA LAMPE.

INSTALLATION DE LA LAMPE DEL MICROBRITE™ BLANCHE ET DE COULEUR DANS UN RACCORD MURAL DE 1,5 PO – CANADA

⚠ MISE EN GARDE

Assurez-vous que le système électrique de votre piscine est conforme aux exigences du Code canadien de l'électricité (CCÉ) et à tous les codes et règlements locaux. Un électricien agréé ou certifié doit installer le système électrique afin de respecter ou de dépasser ces exigences avant l'installation de la lampe et du boîtier. Certaines des exigences du CCÉ sont indiquées ci-dessous.

- Le boîtier de raccordement installé à la plate-forme doit être scellé au conduit pour empêcher l'eau de s'infiltrer (voir la figure 2 ci-dessous).

Les informations ci-dessous concernent l'emplacement du boîtier de raccordement par rapport à la plate-forme au Canada seulement. Les boîtiers de raccordement doivent être installés à la plate-forme comme suit :

- au-dessus du niveau d'eau normal de la piscine;
- de façon à ce que le haut du boîtier soit situé au niveau ou au-dessus du niveau fini de la plate-forme de la piscine;
- d'une manière ou à un endroit tel que le boîtier ne sera pas un obstacle; et
- de façon à ce que l'eau sur la plate-forme s'écoule loin du boîtier (voir le schéma ci-dessous).

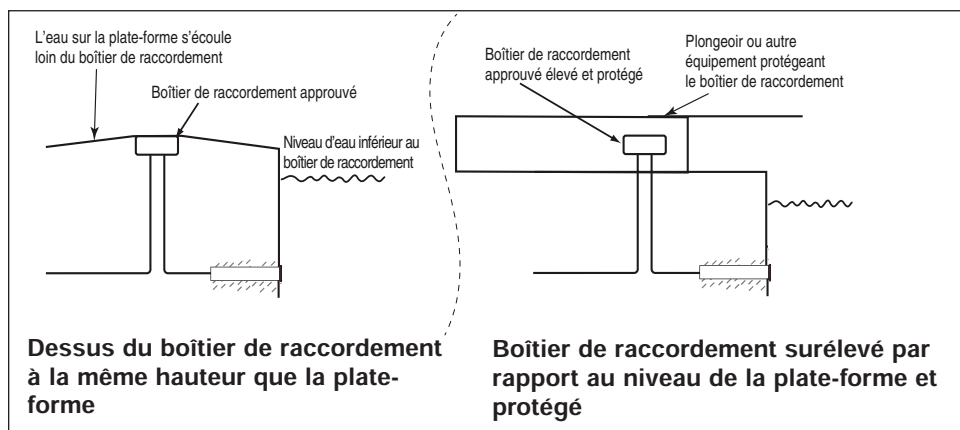


Figure 2, Canada.

Installation de la lampe DEL MicroBrite™ blanche et de couleur

Raccords muraux compatibles

N° de pièce	Description	N° de pièce	Description
86205100	Pentair	SP1022	Hayward™
542429	Pentair	215-9170B	WaterWay®
542402	Pentair	400-9150B	WaterWay
542414	Pentair	215-9890B	WaterWay
86205100	Pentair	400-9170B	WaterWay
542405	Pentair	CMP25550001060	CMP
542404	Pentair	CMP25522100000	CMP
		CMP25550000000	CMP

L'adaptateur de la lampe MicroBrite permet le montage d'une lampe MicroBrite dans un raccord de retour de 1,5 po. Reportez-vous au tableau des raccords muraux compatibles avec MicroBrite ci-dessus.

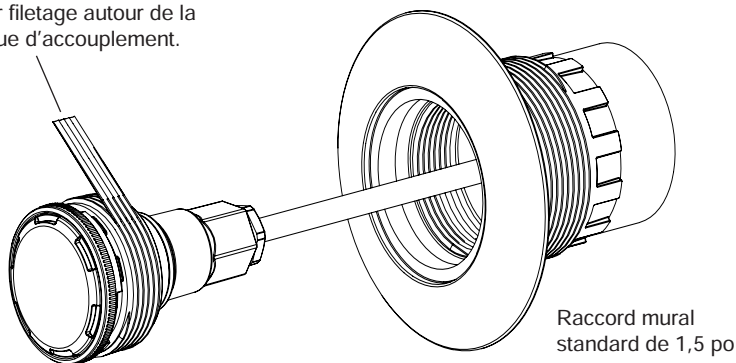
POUR LES RÉTROINSTALLATIONS À FIBRE OPTIQUE, VOIR LA PAGE 11.

INSTALLATION DE CONDUITS HUMIDES

Remarque : La bague d'accouplement fileté blanc est préinstallée sur les lampes MicroBrite à leur sortie de l'usine. Les filets mâles de la bague d'accouplement fileté blanc permettent à la lampe d'être vissée dans les filets femelles de la plupart des raccords de retour de paroi de piscine de 1,5 po. Pour installer le raccord mural de la lampe MicroBrite dans une piscine en béton ou en gunité :

1. Pour installer une lampe MicroBrite, faites passer son cordon d'alimentation à travers le raccord mural de 1,5 po jusqu'à l'emplacement du transformateur de piscine de 12 VCA ou du boîtier de raccordement.
2. Enroulez le ruban scellant pour filetage de plombier autour des filets mâles de la bague d'accouplement fileté blanc de la lampe.
3. Tirez le cordon d'alimentation de la lampe MicroBrite à travers le conduit de façon à ce qu'environ trois (3) à six (6) pouces du cordon soient visibles entre la lampe MicroBrite et le raccord mural.

Enroulez le ruban scellant pour filetage autour de la bague d'accouplement.



Raccord mural standard de 1,5 po

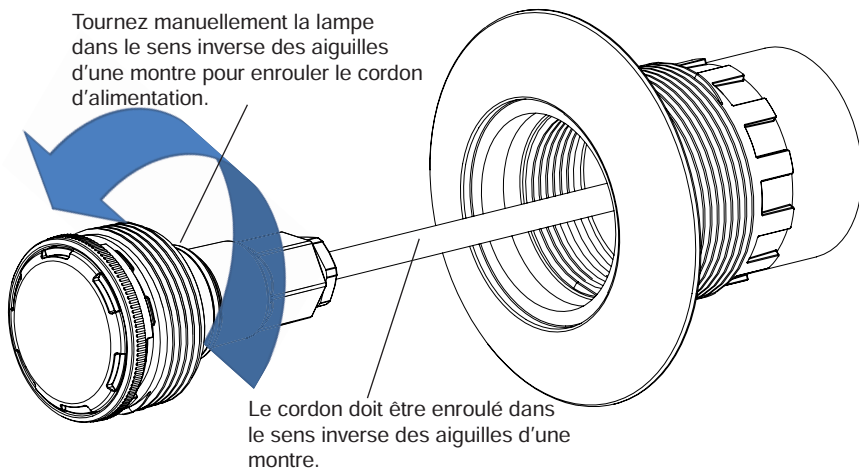
Passez à l'étape 4 à la page suivante.

INSTALLATION DE CONDUITS HUMIDES (suite)

- En tenant la lampe MicroBrite dans votre main, faites tourner la lampe plusieurs fois dans le sens inverse des aiguilles d'une montre, de façon à ce que le cordon d'alimentation de la lampe soit enroulé quelques fois dans le sens inverse des aiguilles d'une montre. **Lisez l'étape 5 avant de passer à l'étape 6.**
- Pour l'installation de conduits secs/scellés (à l'aide de la trousse fournie), consultez la page 10 : si le code requiert l'installation d'un joint torique sur la lampe dans le cas d'une installation de conduit sec, installez le joint torique de la façon décrite à la page 10, puis passez à l'étape 6 ci-dessous.**

AVANT L'INSTALLATION

Tournez manuellement la lampe dans le sens inverse des aiguilles d'une montre pour enrouler le cordon d'alimentation.

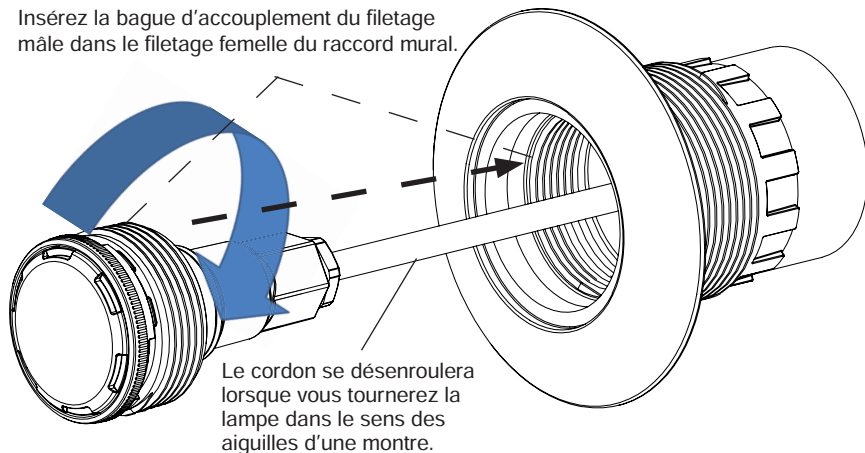


- Insérez la lampe MicroBrite dans le raccord mural de 1,5 po. Commencez à visser manuellement les filets mâles de la bague d'accouplement fileté blanc de la MicroBrite dans les filets femelles du raccord mural.

PENDANT L'INSTALLATION

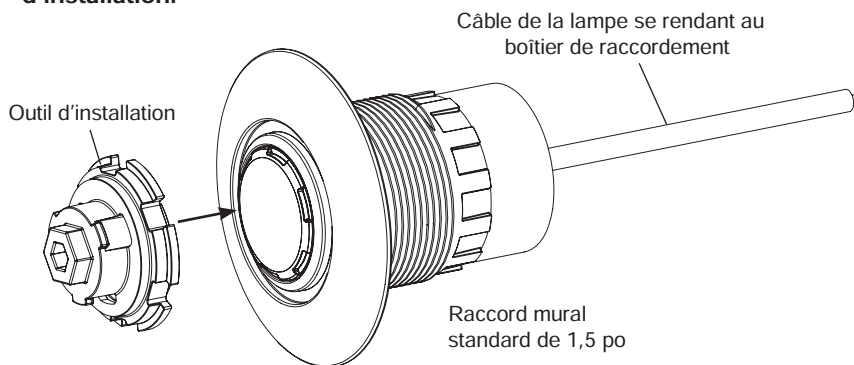
Tournez manuellement la lampe dans le sens des aiguilles d'une montre.

Insérez la bague d'accouplement du filetage mâle dans le filetage femelle du raccord mural.



INSTALLATION DE CONDUITS HUMIDES (suite)

7. Placez l'outil d'installation de la lampe MicroBrite (n° de pièce 620459) sur l'avant de la lampe tout en tournant l'outil et la lampe dans le sens des aiguilles d'une montre.
Remarque : Si la lampe ne tourne pas en douceur, tirez légèrement sur la lampe et assurez-vous qu'elle est correctement installée et que le raccord mural est exempt de débris, puis réinstallez-la.
8. Tournez la lampe dans le sens des aiguilles d'une montre tout en la vissant dans le raccord mural pour déenrouler le cordon d'alimentation.
9. Tournez la lampe dans le sens des aiguilles d'une montre (environ 5 tours) de façon à ce qu'elle soit bien vissée dans le raccord mural.
10. **Remarque : Une fois la lampe bien installée, retirez l'outil. Veillez à ce que la lampe ne puisse pas être dévissée manuellement. La lampe doit être fixée de façon à ne pouvoir être retirée qu'avec l'aide de l'outil d'installation.**

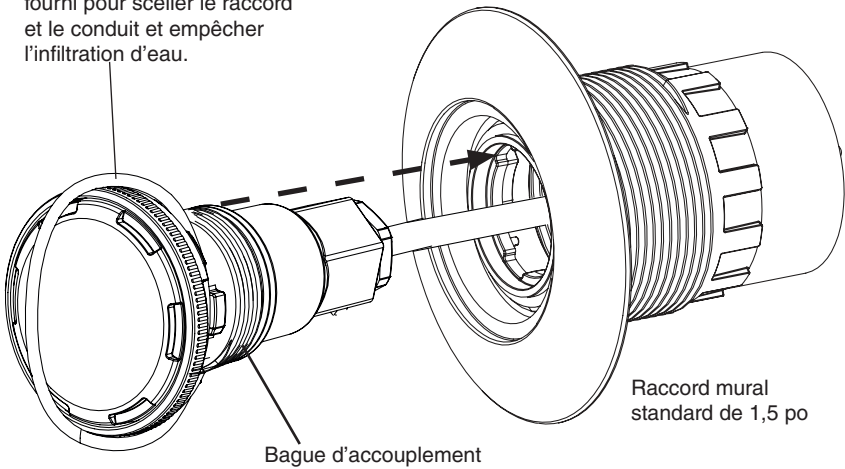


Poursuivre l'installation du câblage de la lampe à la page 11.

INSTALLATION DE CONDUITS SECS/SCELLÉS (À L'AIDE DE LA TROUSSE FOURNIE)

1. **Remarque : Le niveau d'eau de la piscine doit être inférieur au niveau du raccord de retour de 1,5 po où la MicroBrite sera installée.**
2. Suivez les étapes 1 à 10 de l'installation d'un conduit humide, décrites aux pages 7, 8 et 9.
À l'étape 4, installez le joint torique en option à l'arrière de la lampe MicroBrite.
3. Faites passer le joint torique à l'avant du verre de la lampe et fixez-le derrière le verre.
4. Appliquez le lubrifiant fourni sur le joint torique.
5. Enfoncez manuellement la lampe dans le raccord mural jusqu'à ce que le joint torique y soit logé.
6. Reprenez le processus d'installation à l'étape 6 (voir page 8).

Installez le joint torique, puis appliquez le lubrifiant fourni pour sceller le raccord et le conduit et empêcher l'infiltration d'eau.



RÉTROINSTALLATIONS À FIBRE OPTIQUE

La lampe MicroBrite™ peut convenir à plusieurs types de rétroinstallations à fibre optique.

IMPORTANT:

1. Avant de procéder à la rétroinstallation à fibre optique, vérifiez si la lampe MicroBrite s'insère correctement avant de retirer le système à fibre optique.
2. Reportez-vous au plan des dimensions de la lampe MicroBrite à la page 21.
3. Lisez toutes les instructions pour vérifier si les raccords de 1,5 po dans la piscine sont de la bonne dimension pour accueillir correctement la lampe MicroBrite.
4. Assurez-vous que le conduit précédemment utilisé pour loger les câbles de fibre optique répond aux exigences de tous les codes et règlements applicables aux conduits électriques pour une utilisation dans une piscine.

Installation du câblage de la lampe DEL MicroBrite™ blanche et de couleur

Pour brancher la lampe MicroBrite au transformateur ou au boîtier de raccordement :

1. Faites passer le cordon d'alimentation de la lampe MicroBrite à travers le raccord mural jusqu'à l'emplacement du transformateur de piscine de 12 VCA ou du boîtier de raccordement.
2. Coupez le surplus de câble au transformateur de 12 VCA ou au boîtier de raccordement. Laissez au moins 15,2 cm (6 po) de câble dans le boîtier de raccordement ou le transformateur pour faciliter l'inspection de l'installation de la lampe dans le raccord mural. Coupez toute longueur de cordon supplémentaire. Voir la figure 1 à la page 5 pour connaître les étapes d'installation d'un boîtier de raccordement aux États-Unis et la figure 2 à la page 6 pour l'installation au Canada.
3. Branchez les deux (2) conducteurs aux fils du circuit correspondants dans le boîtier de raccordement. Fixez le couvercle du boîtier de raccordement.

Remarque : Si vous utilisez des câbles plus longs ou plusieurs lampes par transformateur, il est recommandé de prévoir une capacité de 13 ou 14 VCA sur votre transformateur.

4. Avant d'utiliser la lampe MicroBrite, remplissez la piscine d'eau jusqu'à ce que la lampe soit complètement submergée.

Remarque : La lampe MicroBrite de couleur ne doit pas être alimentée pendant plus de 30 secondes si elle n'est pas submergée.

5. **Vérification finale pour assurer le fonctionnement adéquat de la lampe MicroBrite :**

Mettez en position de marche l'interrupteur principal ou le disjoncteur au transformateur de 12 VCA et l'interrupteur qui actionne la lampe MicroBrite. La lampe doit s'allumer lorsque le transformateur 12 V CA est sous tension. Dans le cas contraire, passez en revue les étapes de l'installation.

REPLACEMENT DE L'ENSEMBLE DE LA LAMPE MICROBRITE™ BLANCHE OU DE COULEUR (DANS UNE PISCINE OU UN SPA)

DANGER



RISQUE DE CHOC ÉLECTRIQUE OU D'ÉLECTROCUTION!

Cette lampe sous l'eau doit être installée par un électricien agréé ou certifié ou un professionnel des piscines qualifié en conformité avec le Code national de l'électricité (CNE) en vigueur, le Code NFPA 70 ou le Code de l'électricité du Canada (CEC), CSA C22.1 et tous les codes et règlements locaux en vigueur. Une mauvaise installation est une source de danger électrique pouvant provoquer des blessures graves, voire la mort, aux utilisateurs de la piscine, aux installateurs ou autres à la suite d'un choc électrique, et risque en plus de causer des dommages matériels.

Débranchez toujours l'alimentation électrique de la lampe de la piscine au disjoncteur avant son entretien. Le non-respect de cette règle risque de provoquer des blessures graves, voire la mort, aux personnes responsables de l'entretien, aux utilisateurs de la piscine ou autres à la suite d'un choc électrique.

**REMARQUE IMPORTANTE : LA LAMPE DEL MICROBRITE
BLANCHE OU DE COULEUR EST UNE LAMPE NON RÉPARABLE.
L'ENSEMBLE COMPLET DE LA LAMPE DOIT ÊTRE REMPLACÉ.**

MISE EN GARDE

Assurez-vous que la piscine et le spa soient conformes aux exigences du Code d'électricité national et de tous les codes et règlements locaux. Un électricien agréé ou certifié doit installer le système électrique afin de respecter ou de surpasser ces exigences avant l'installation de la lampe sous l'eau. Le système électrique de la piscine doit être conforme aux exigences du Code d'électricité national suivantes :

- Le boîtier de raccordement et le transformateur basse tension se situent à au moins quatre (4) pouces (10,16 cm) au-dessus du niveau du sol ou de huit (8) pouces (20,3 cm) au-dessus du niveau d'eau maximal, selon le plus élevé. Placez le boîtier de raccordement à au moins 48 po (123 cm) du bord de la piscine. Voir Figure 1 à la page 8.
- Le raccord mural de la lampe MicroBrite doit être installé de façon à ce que le bord supérieur du verre de la lampe MicroBrite soit situé au moins 10,16 cm (4 po) plus bas que la surface de l'eau de la piscine ou du spa, mais pas plus de 123 cm (48 po) au Canada. Voir Figure 1 à la page 8.
- L'électricien doit également consulter le service local des bâtiments afin de s'assurer que les systèmes électriques de la piscine ou du spa sont conformes aux exigences en vigueur.

**REMARQUE IMPORTANTE : LA LAMPE DEL MICROBRITE™
BLANCHE OU DE COULEUR EST UNE LAMPE NON RÉPARABLE.
L'ENSEMBLE COMPLET DE LA LAMPE DOIT ÊTRE REMPLACÉ.**

Les instructions suivantes décrivent la façon de désinstaller et d'installer l'ensemble de la lampe MicroBrite.

**REMARQUE IMPORTANTE : LA LAMPE DEL MICROBRITE EST UNE LAMPE NON
RÉPARABLE. L'ENSEMBLE COMPLET DE LA LAMPE DOIT ÊTRE REMPLACÉ.**



Une installation du système électrique de la piscine ou du spa non conforme aux exigences du code avant la mise en place de la lampe sous l'eau est une source de danger électrique pouvant provoquer la mort ou des blessures graves aux utilisateurs de la piscine, aux installateurs ou autres à la suite d'un choc électrique, et risque en plus de causer des dommages matériels.

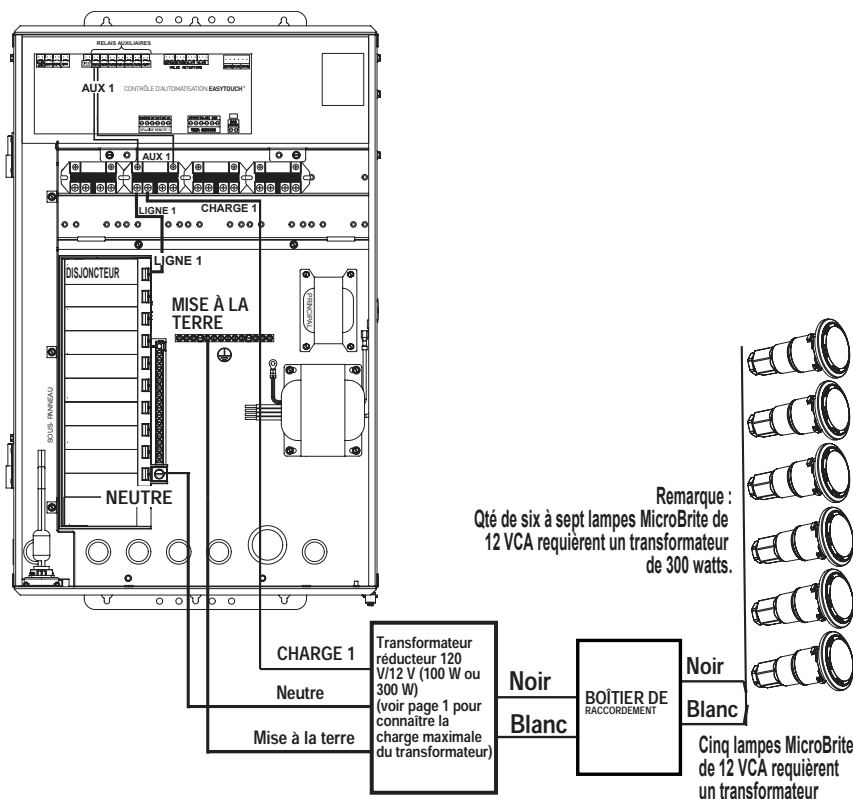
1. **Éteignez l'interrupteur électrique ou mettez hors tension le disjoncteur à la source.**
2. Retirez le boîtier de raccordement ou le couvercle du transformateur. Débranchez les fils de la lampe et fixez un ruban de tirage au cordon d'alimentation existant de la lampe. *Cela vous aidera à tirer le cordon d'alimentation de la lampe de remplacement à travers le conduit jusqu'au boîtier de raccordement.*
3. **Pour retirer l'ensemble de la lampe MicroBrite d'une piscine ou un spa :** à l'aide de l'outil d'installation fourni (n° de pièce 620458), tournez l'ensemble de la lampe dans le sens contraire des aiguilles d'une montre d'un huitième de tour pour déloger la lampe du raccord mural.
4. Tirez doucement la lampe et le cordon d'alimentation attaché (avec le ruban de tirage attaché) hors du raccord mural. Tirez le cordon d'alimentation de la lampe et le ruban de tirage hors du raccord mural et placez la lampe sur la plate-forme.
5. Fixez le cordon d'alimentation de la nouvelle lampe au ruban de tirage et passez le ruban de tirage et le câble jusqu'au boîtier de raccordement.
6. **Pour installer la lampe dans le raccord mural :** consultez les instructions d'installation de la lampe aux pages 7 à 10.
7. **Pour brancher les deux (2) conducteurs aux fils du circuit correspondants dans le boîtier de raccordement :** consultez les instructions de câblage de la lampe à la page 11.
8. **Vérification finale :** consultez les instructions pour procéder à la vérification finale à la page 11.

BRANCHEMENT DES LAMPES DEL MICROBRITE™ BLANCHES ET DE COULEUR À UN RELAIS AUXILIAIRE DU TABLEAU DE RÉPARTITION DU SYSTÈME DE CONTRÔLE EASYTOUCH® OU INTELLITOUCH®

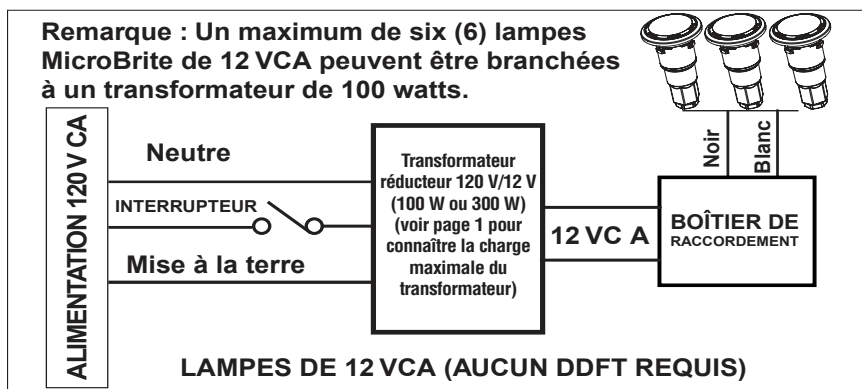
DANGER RISQUE D'ÉLECTROCUTION OU DE CHOC ÉLECTRIQUE

Débranchez toujours le courant alternatif du tableau de répartition du système de contrôle EasyTouch et IntelliTouch au disjoncteur avant l'entretien ou le retrait du **PANNEAU AVANT DE HAUTE TENSION**. Le non-respect de cette règle risque de provoquer la mort ou des blessures graves à l'installateur, à la personne responsable de l'entretien, aux utilisateurs de la piscine ou autres à la suite d'un choc électrique.

1. **Tableau de répartition du système de contrôle EasyTouch ou IntelliTouch** : Déverrouillez le loquet à ressort de la porte du boîtier et ouvrez la porte.
2. **Déchargez l'énergie électrostatique avant de retirer le couvercle en touchant d'abord la partie métallique du boîtier.**
3. Dévissez les deux (2) vis de retenue du PANNEAU AVANT DE HAUTE TENSION. Retirez le panneau du boîtier.
4. Acheminez le cordon d'alimentation de la lampe MicroBrite à un transformateur attaché au relais auxiliaire dans le tableau de répartition du système de contrôle EasyTouch/IntelliTouch.
5. Branchez le côté à 120 VCA d'un transformateur de 12 VCA au CÔTÉ CHARGE de l'un des relais auxiliaires (AUX) dans le tableau de répartition.
6. Branchez le conducteur neutre du transformateur 12 V CA à la barre omnibus neutre dans le tableau de répartition.
7. Une fois le branchement effectué, fermez le panneau de commande et fixez-le avec les deux (2) vis de retenue.
8. Fermez la porte avant du tableau de répartition. Remplacez le loquet à ressort.



Câblage du tableau de répartition du système de contrôle EasyTouch® et IntelliTouch®



Lampe MicroBrite™ avec schéma de câblage de l'interrupteur mural

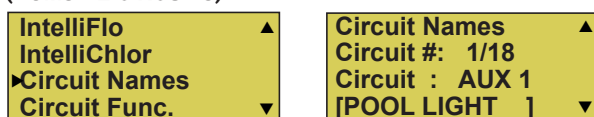
CONFIGURATION DES LAMPES DEL MICROBRITE™ BLANCHES ET DE COULEUR AVEC LES SYSTÈMES D'AUTOMATISATION EASYTOUCH® ET INTELLITOUCH®

Système d'automatisation EasyTouch®

Les instructions ci-dessous décrivent la façon de configurer une lampe MicroBrite à partir du panneau de commande intérieur du système de contrôle EasyTouch® ou du panneau de commande sans fil du système d'automatisation EasyTouch. Vous pouvez commander les spectacles de lumières à partir du panneau de commande EasyTouch.

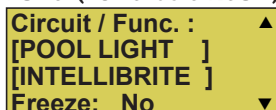
Pour configurer un circuit de lampe MicroBrite, attribuez le « nom du circuit de la lampe » au circuit relais (exemple : AUX 3 en tant que « Lampe de piscine ») et à « Fonction » : introduisez le nom du circuit « Lampe de piscine » dans le menu Circuit Func. en tant que circuit de lampe (IntelliBrite). Après l'attribution du nom du circuit et de la fonction, le circuit « Lampe de piscine » peut être configuré dans le menu CONFIG pour en régler la position, la couleur, etc.

Pour attribuer un nom de circuit allez à : MENU > SETTINGS (PARAMÈTRES) > CIRCUIT NAMES (NOMS DE CIRCUITS)



1. Appuyez sur le **bouton Vers le haut/Vers le bas** pour sélectionner un numéro de circuit de 1 à 18. Appuyez deux fois sur le bouton Vers le haut pour sélectionner **AUX 1** afin de choisir ce circuit pour le bouton marche/arrêt de cette lampe. Le numéro de circuit (1/18) correspond au nom de circuit qui lui est attribué.
2. Appuyez sur le **bouton Vers le haut/Vers le bas** pour dérouler la liste de noms préconfigurés. Sélectionnez un nom tel que « Lampe de piscine ». Le nom de circuit « Lampe de piscine » est à présent attribué à AUX 1.

Pour attribuer une fonction de circuit allez à : MENU > SETTINGS (PARAMÈTRES) > CIRCUIT FUNC. (FONC. de CIRCUIT)



3. Appuyez sur le bouton Menu pour retourner dans le menu Paramètres. Appuyez sur le bouton Vers le bas et sélectionnez « Circuit Func. ». Appuyez sur le bouton à droite pour accéder à Circuit Func. Circuit Func.
4. Appuyez sur le **bouton Vers le haut/Vers le bas** pour sélectionner le nom de circuit déjà attribué « Lampe de piscine ».
5. Appuyez sur le **bouton à droite** pour afficher « Circuit Functions » afin d'attribuer « Lampe de piscine » au circuit.
6. Appuyez sur le **bouton Vers le haut/Vers le bas** pour sélectionner le type de fonction de circuit à utiliser. Sélectionnez « INTELLIBRITE » pour la fonction du circuit de la lampe MicroBrite.
7. Appuyez trois fois sur le bouton Menu pour retourner à l'écran principal.

Fonctionnement des lampes MicroBrite : La lampe MicroBrite est prête à fonctionner à l'aide du bouton 1 du panneau de commande EasyTouch (circuit auxiliaire 1). Pour accéder à l'écran du menu relatif aux lampes (*éclairages spéciaux*), appuyez sur **Menu > Lights (lumières)**. Les paramètres du menu Lumières sont les suivants : MODES, COLORS (COULEURS), ALL ON (TOUTES ALLUMÉES), ALL OFF (TOUTES ÉTEINTES), SYNC, MAGICSTREAM, CONFIG : À partir de l'écran Modes, vous pouvez commander les spectacles de lumières. Pour accéder au menu Modes, appuyez sur Menu > Lights (lumières) > Modes. Voir la page 2 pour en savoir plus sur les spectacles de lumières.

Système de contrôle IntelliTouch®

Les instructions ci-dessous décrivent la façon de configurer une lampe MicroBrite™ à partir du panneau de commande du système de contrôle IntelliTouch®. Vous pouvez commander les spectacles de lumières à partir du panneau de commande du système d'automatisation IntelliTouch. Pour accéder aux écrans de la lampe MicroBrite, utilisez le panneau de commande intérieur de l'IntelliTouch ou le panneau de commande à distance sans fil MobileTouch®.

Attribuer un nom de circuit

Pour repérer la lampe MicroBrite branchée aux circuits auxiliaires (AUX 1, AUX 2) dans le tableau de répartition du système de contrôle IntelliTouch, vous devez attribuer le nom de circuit de la lampe MicroBrite aux circuits auxiliaires correspondants dans le panneau de commande à l'intérieur de l'IntelliTouch. Choisissez un nom de circuit dans la liste de noms préconfigurée pour la lampe MicroBrite branchée au relais auxiliaire installé dans le tableau de répartition de l'IntelliTouch.

Attribuer un nom de circuit à la lampe MicroBrite : Pour attribuer un nom de circuit à la lampe MicroBrite, allez à : **MENU > SETUP (CONFIGURER) > ADVANCED (AVANCÉ) > CIRCUIT NAMES (NOMS DE CIRCUIT) > ASSIGN CIRCUIT NAMES (ATTRIBUER NOMS DE CIRCUITS) > DISPLAY (ÉCRAN).**

Sélectionnez l'écran DISPLAY 1, 2, 3 ou 4 : Les circuits auxiliaires qui contrôlent les équipements de piscine et de spa sont accessibles à partir de l'écran « Display » sur le panneau de commande intérieur ou le panneau de commande sans fil MobileTouch. En sélectionnant le bouton à côté de Display 1, 2, 3 ou 4, vous affichez l'écran avec les circuits appartenant à ce tableau de répartition en particulier ou à l'unité d'alimentation. « Feature Circuits » peut également être attribué à partir de cet écran.

Pour attribuer des noms de circuits à un écran d'affichage en particulier :

Display #1 (Écran n° 1) : Cet écran affiche les noms de circuits pour la pompe du filtre, les modes piscine et spa et tous les circuits auxiliaires à haute tension branchés au tableau de répartition principal ou à l'unité d'alimentation.

Display #2 (Écran n° 2) : Cet écran affiche les noms de circuits pour les circuits auxiliaires supplémentaires branchés au premier centre d'expansion (tableau de répartition ou unité d'alimentation).

Display #3 (Écran n° 3) : Cet écran affiche les noms de circuits pour les circuits auxiliaires supplémentaires branchés au second centre d'expansion (tableau de répartition ou unité d'alimentation)

Display #4 (Écran n° 4) : Cet écran affiche les noms de circuits pour les circuits auxiliaires supplémentaires connectés au troisième centre d'expansion (tableau de répartition ou unité d'alimentation).

Pour attribuer un nom de circuit à la lampe MicroBrite sur l'ÉCRAN PRINCIPAL :

1. Sélectionnez le bouton à côté de Display #1. Ces noms de circuit seront affichés sur l'écran principal. Remarque : Si un tableau de répartition ou une unité d'alimentation d'expansion est installé, sélectionnez l'écran approprié numéro 2, numéro 3 ou numéro 4 associé à ce tableau de répartition ou à cette unité d'alimentation d'expansion.
2. Sur l'écran d'affichage principal, appuyez sur le bouton à côté de AUX 1. Une petite flèche pointant vers AUX 1 s'affiche.
3. Utilisez les boutons Vers le haut et Vers le bas au bas de l'écran pour faire défiler la liste alphabétique de noms d'équipement préconfigurés. Choisissez le nom de l'équipement qui correspond au nom de l'étiquette pour le bouton numéro 1 du panneau de commande extérieur du tableau de répartition.
4. Continuez de nommer les autres circuits auxiliaires (AUX 2, AUX 3, etc.) : Après avoir sélectionné le nom de l'équipement choisi pour AUX 1, appuyez sur le bouton à côté d'AUX 2 et choisissez un nom de circuit. La petite flèche indique le circuit sélectionné à nommer.
5. Répétez le processus pour attribuer l'autre équipement aux circuits sur cet écran.
6. Lorsque vous avez terminé d'attribuer les noms de circuits aux équipements, appuyez sur le bouton Save (Sauvegarder). Appuyez sur le bouton Exit (Sortie) pour retourner à l'écran principal.
7. **PASSEZ À LA PAGE SUIVANTE pour configurer la fonction du circuit de la lampe MicroBrite.**

Configurer la fonction de circuit d'une lampe DEL MicroBrite™ blanche ou de couleur

Pour configurer un circuit AUX pour commander la lampe MicroBrite, attribuez à la fonction du circuit de lumière un circuit relais auxiliaire (AUX 1), puis attribuez-lui le nom de circuit. Le nom du circuit de lumière apparaît sur l'écran principal. Une fonction de circuit doit également être attribuée à chaque lampe MicroBrite.

Pour attribuer un nom de circuit à la lampe MicroBrite, allez à : MENU > SETUP (CONFIGURER) > ADVANCED (AVANÇÉ) > CIRCUIT FUNCTIONS (FONCTIONS DE CIRCUITS)

Configurer une fonction de circuit pour la lampe MicroBrite : Attribuez un nom de circuit à chaque circuit relais de lumière auxiliaire, puis assignez ce circuit relais de lumière dans la section « CIRCUIT FUNCTIONS », en tant qu'« INTELLIBRITE ».

Pour configurer une fonction de circuit pour la lampe MicroBrite (utilisez le nom de circuit « IntelliBrite ») :

1. Appuyez sur le bouton à côté du bouton AUX (le circuit relais auxiliaire branché à la lampe MicroBrite [IntelliBrite]).
2. Appuyez sur le bouton à droite ou à gauche (PREV/NEXT) à côté de « INTELLIBRITE ». Faites défiler les fonctions de circuits jusqu'à ce qu'« IntelliBrite » s'affiche.
3. Appuyez sur le bouton SAVE (SAUVEGARDER) au bas de l'écran. Appuyez sur le bouton EXIT (SORTIE) pour retourner à l'écran principal.

Attribuer le circuit de la lampe MicroBrite à l'écran Lumières :

4. Appuyez sur le bouton Lights (Lumières) au bas de l'écran.
5. Appuyez sur le bouton à droite, à côté de « CONFIGURE ».
6. Appuyez sur le bouton à côté de « NONE » (AUCUN) pour attribuer un circuit de lumière IntelliBrite au bouton sélectionné. Les noms de lumières peuvent être configurés pour afficher sur le côté gauche les fonctionnalités pour « Spa » et sur le côté droit les fonctionnalités pour « Piscine ».
7. Appuyez sur le bouton à gauche ou à droite en haut pour faire défiler les circuits de lumière qui peuvent être utilisés avec les fonctions d'éclairage de la lampe MicroBrite (IntelliBrite). Sélectionnez le nom de circuit que vous souhaitez utiliser. Les noms de circuits affichés ont été attribués précédemment lors de l'attribution d'une fonction de circuit.

Fonctionnement et sélection des modes de couleur MicroBrite (IntelliBrite®)

À l'écran « Modes », vous pouvez sélectionner différents effets d'éclairage prédéfinis, tels que le « mode américain » et le « mode coucher de soleil », ainsi que les couleurs changeantes de Pentair SAM (qui imitent le jeu de couleurs Sam). À l'aide des fonctions « Hold » (maintien) et « Recall » (rappel), vous pouvez également enregistrer un effet de couleur unique pour le faire jouer ultérieurement.

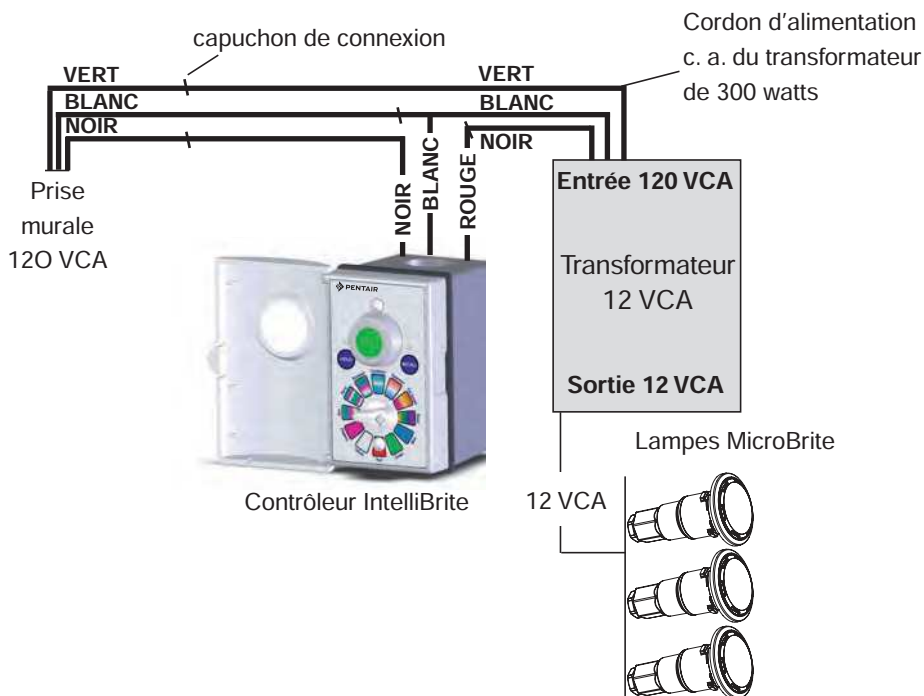
Écran Modes

Pour accéder aux fonctions (« Modes ») de couleur IntelliBrite® à partir de l'écran Lights (lumières), appuyez sur le bouton Lights (lumières) dans le bas de l'écran, puis appuyez sur le bouton latéral gauche à côté de « MODES ».

Éclairages spéciaux : Jusqu'à douze (12) circuits de lumières IntelliBrite peuvent s'afficher sur l'écran Lights (lumières) principal (éclairages spéciaux). Vous pouvez activer les éclairages spéciaux IntelliBrite tels que vagues et couleur fixe à partir de l'écran Lights (lumières). Cela suppose que chaque lampe MicroBrite (IntelliBrite) possède son propre relais et circuit séparé.

Câblage de lampes DEL MicroBrite™ blanches et de couleur jusqu'à un contrôleur IntelliBrite® et un transformateur de 300 watts

Le schéma ci-dessous montre la façon de brancher des lampes MicroBrite à un contrôleur IntelliBrite à l'aide d'un transformateur de 300 watts. Remarque : Pour obtenir les instructions d'utilisation d'une lampe MicroBrite, voir la page 2.



Dépannage (lampes MicroBrite)

L'éclairage ne fonctionne pas correctement : Assurez-vous que l'alimentation de 12 VCA est appliquée à la lampe.

Dépannage (contrôleur IntelliBrite)

Les deux DEL clignotent : Vérifiez le branchement des câbles de la lampe au boîtier de raccordement sur le bord de la piscine et à l'interrupteur d'alimentation c. a. Le contrôleur IntelliBrite a détecté que la charge dépasse la puissance maximale autorisée ou que la sortie est court-circuitée.

1. Éteignez le contrôleur IntelliBrite. Éliminez la charge excessive ou le court-circuit.
2. Appuyez sur l'interrupteur d'alimentation du contrôleur IntelliBrite pour mettre l'unité sous tension. Assurez-vous que les DEL ne clignotent plus.

Liste des pièces des lampes DEL MicroBrite™ blanches et de couleur

Liste des pièces des lampes DEL MicroBrite blanches et de couleur

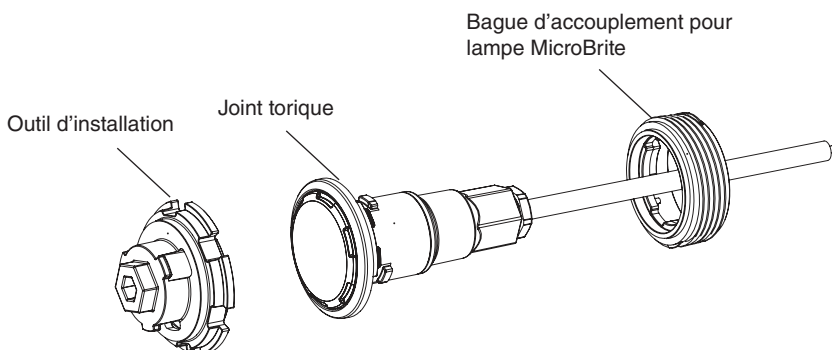
N° de pièce	Description
602424	Cordon de 50 pi pour lampe MicroBrite de couleur de 12 VCA
602425	Cordon de 100 pi pour lampe MicroBrite de couleur de 12 VCA
602426	Cordon de 150 pi pour lampe MicroBrite de couleur de 12 VCA
602428	Cordon de 50 pi pour lampe MicroBrite blanche de 12 VCA
602429	Cordon de 100 pi pour lampe MicroBrite blanche de 12 VCA
602430	Cordon de 150 pi pour lampe MicroBrite blanche de 2 VCA

Ensembles de lampes DEL MicroBrite blanches et de couleur

N° de pièce	Description
620427	Deux lampes MicroBrite de couleur avec cordon de 100 pi et transformateur de 300 W
620431	Deux lampes MicroBrite blanches avec cordon de 100 pi et transformateur de 300 W

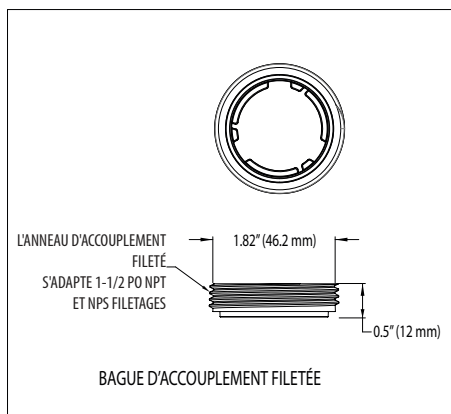
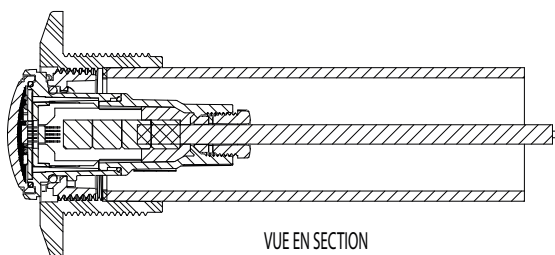
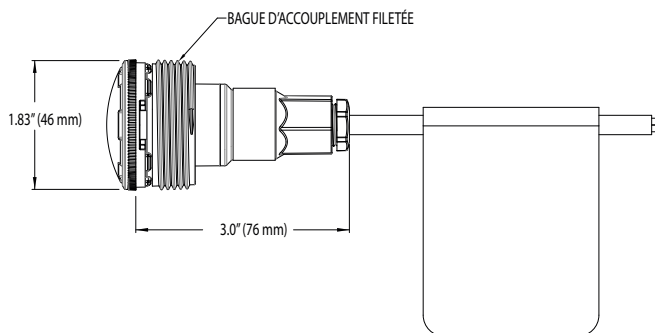
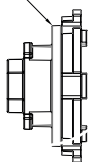
Trousses de remplacement des lampes DEL MicroBrite blanches et de couleur

N° de pièce	Description
620460	Bague d'accouplement pour lampe MicroBrite (pièce de rechange)
620459	Outil d'installation (pièce de rechange)
620463	Joint torique pour conduit (pièce de rechange)



Dimensions des lampes DEL MicroBrite™ blanches et de couleur

OUTIL D'INSTALLATION



Page vierge

Page vierge



1620 HAWKINS AVE., SANFORD, NC 27330 • 919 566-8000

10951 WEST LOS ANGELES AVE., MOORPARK, CA 93021 • 805 553-5000

WWW.PENTAIRPOOL.COM

Toutes les marques de commerce et tous les logos Pentair appartiennent à Pentair, Inc. Pentair Aquatic Systems®, MicroBrite™, IntelliBrite®, AmerBrite®, MobileTouch®, EasyTouch® et IntelliTouch® sont des marques de commerce ou des marques déposées de Pentair Water Pool and Spa, Inc. ou de ses filiales aux États-Unis ou dans d'autres pays. Ces noms et marques peuvent être les marques de commerce ou les marques déposées de ces tierces parties. Hayward® est une marque déposée de Hayward Industries, Inc. Waterway™ est une marque de commerce de Waterway Plastics, Inc. et CMP® est une marque déposée de Custom Molded Products, LLC. Dans la mesure où Pentair améliore constamment ses produits et services, la société se réserve le droit d'en modifier les spécifications sans préavis. Pentair est un employeur offrant l'égalité professionnelle.

© 2018 Pentair Water Pool and Spa, Inc. Tous droits réservés.

Ce document peut faire l'objet de modifications sans préavis.



N° de pièce 523371.A 04/2018