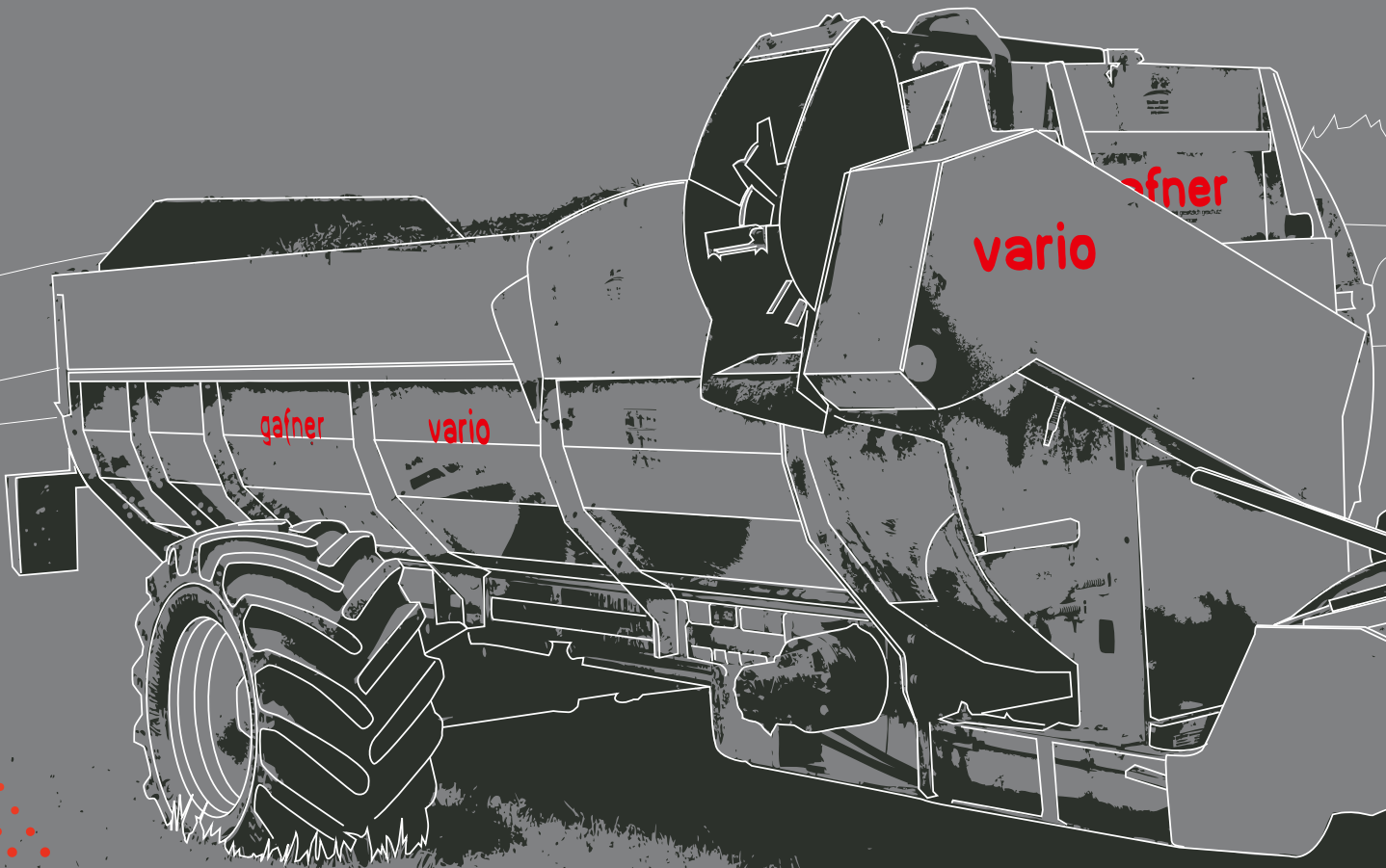




# gafner

## Der Streuer.

Trailer models «vario» and «roto»







## Perfect spreading pattern

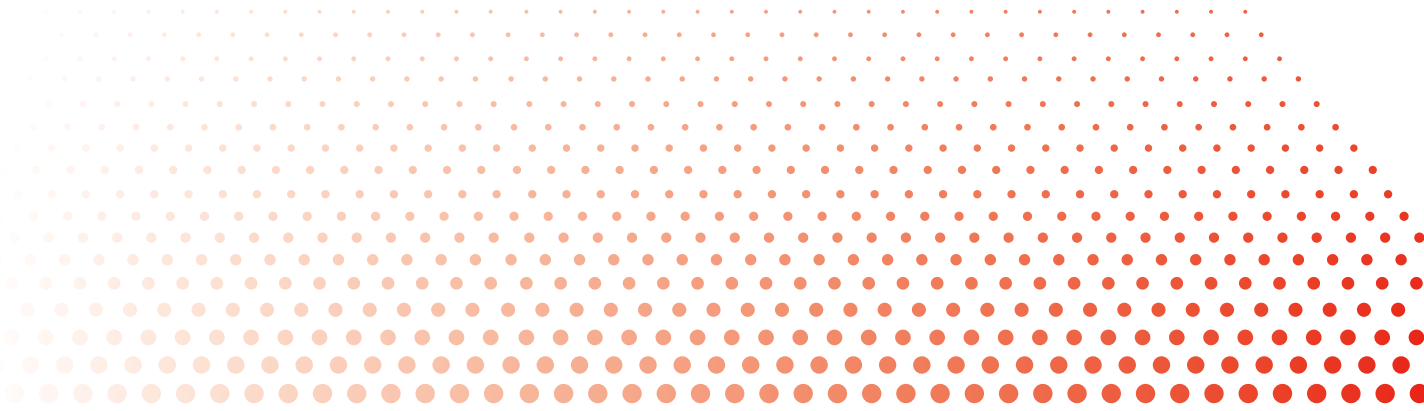
The Gafner brand stands for the perfect spreading pattern and a long service life, with simple operation and best design. Different attachment and detachment options offer maximum flexibility in field and meadow.

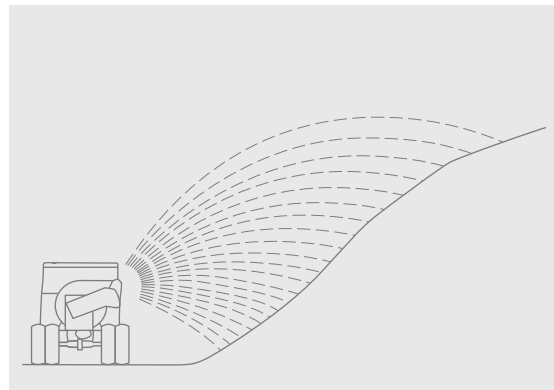
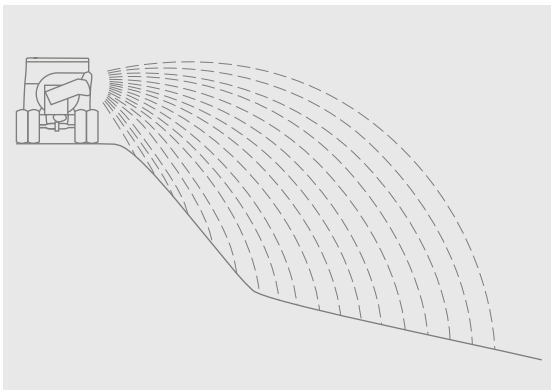


Gafner spreaders are characterized by a fine, perfect spreading pattern. The proven design with technical refinements guarantees even spreading of loaded material of any type – without any additional cost.

The perfect spreading pattern is guaranteed for any terrain and promises fast and regular distribution on meadows and farmland. The patented hydraulic adjusting compensator makes spreading uphill and downhill on slopes problem-free.

The robust and high quality construction, the hydraulic partition wall and the thorough processing of the planetary cutters enable a high quality spreading pattern. Gafner spreaders represent a long service life with low maintenance and repair costs.





With adjustable spread widths from 3 to 20 meters, Gafner spreaders provide precision in any application, whether spreading at an angle on a steep hill or in a straight line from the roadside.



## Safety

Gafner trailer spreaders have a low own weight and extra wide tyres, which show their advantages in optimal weight distribution and ideal grip even on wet terrain. Safe operation of the spreader trailers is thus guaranteed.

## The Gafner trailer models



### The vario trailer model

Gafner's vario spreader, with its large adjusting angle of 60°, is the proven model which adapts optimally to any terrain.

The vario trailer model offers maximum flexibility with different tank sizes for all requirements and has a low own weight. The hydraulic partition wall pushes the loaded material forward in the direction of the vehicle, thus guaranteeing even weight distribution and safe wheel grip.

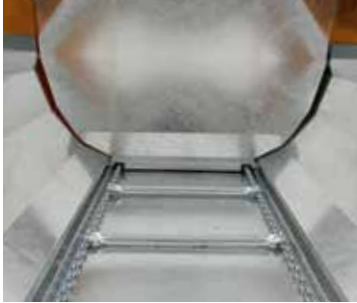
With its robust construction, hot-dip galvanized tank and high quality steel cutter, a long service life is guaranteed. The modular system enables the replacement of each individual tool and thus guarantees low repair costs and simple maintenance. The highest technical refinements guarantee simple and convenient operation and maximum safety in any terrain.

Professional attention to detail results in perfect design. Gafner is quality and design in one.

### The roto trailer model

The roto model has the same advantages as the vario high quality basic model and is also available in different sizes. The additional technical precision of the roto is provided by the rotating spreading head, which can be rotated 240° by means of a hydraulic motor. The Gafner roto trailer spreader is ideally suited for spreading on both the right and left sides in demanding terrain.

# State-of-the-art technology



## Partition wall

The hydraulically powered partition wall ensures clean and complete emptying of the loaded material.



## Star-shaped rotor

The star-shaped rotor is the so-called feeder and ensures that the material is delivered to the ejection rotor evenly.



## Planetary cutters

Even strong spreading material is reduced efficiently and evenly by the high quality steel cutter.



## Ejection rotor

Hardened spreading tines and the patented spread width adjustment ensure a completely uniform spread distribution.



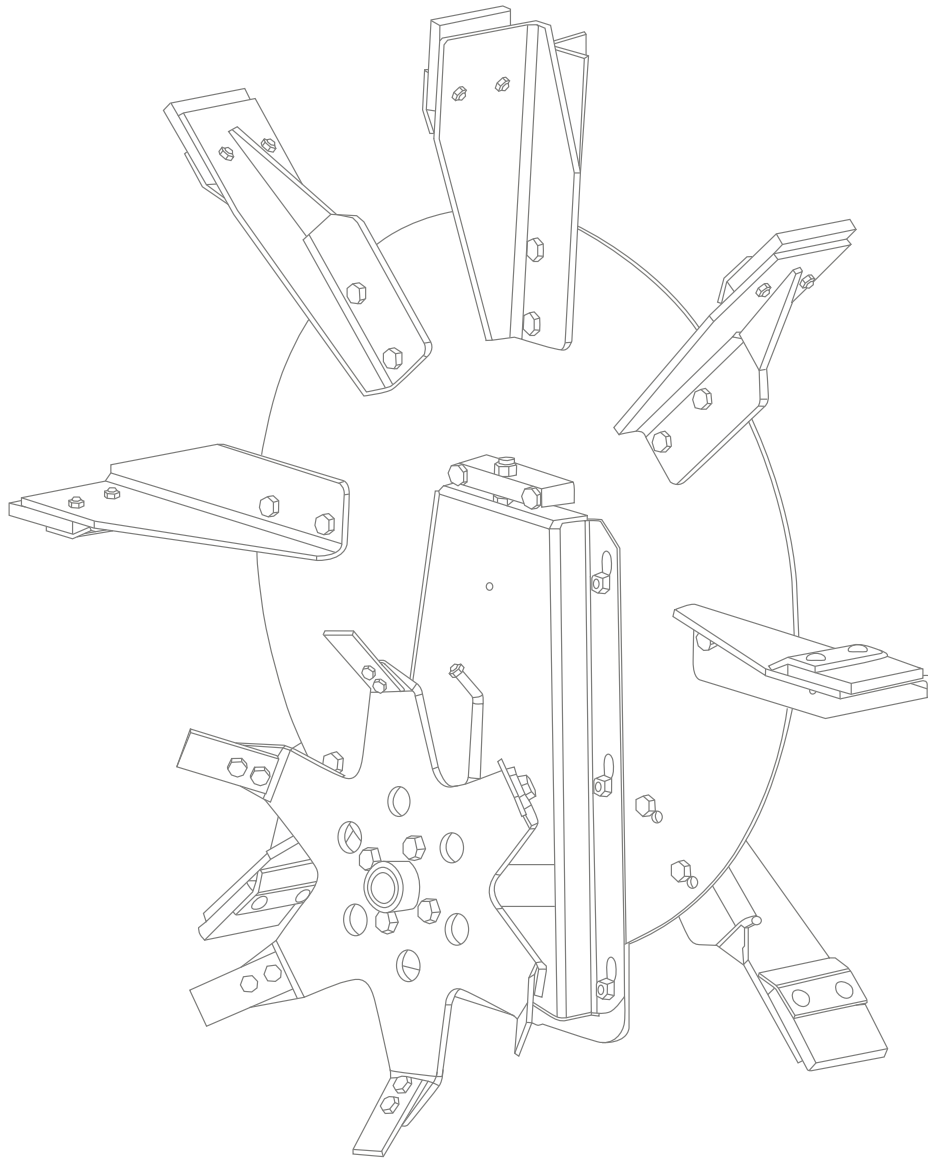
## Scraper floor

The hydraulic scraper floor drive with 2-stage planetary gear and the quality chains provide a high tensile force.



## Collision protection

Replaceable wood edge strips and a hot-dip galvanized tank save time and money in the event of damage.



## **Star-shaped rotor with milling planetary gear**

Gafner's clever modular system allows different combinations of individual components to form a whole. In addition, old modules can be replaced with new ones problem-free and cost-effectively.



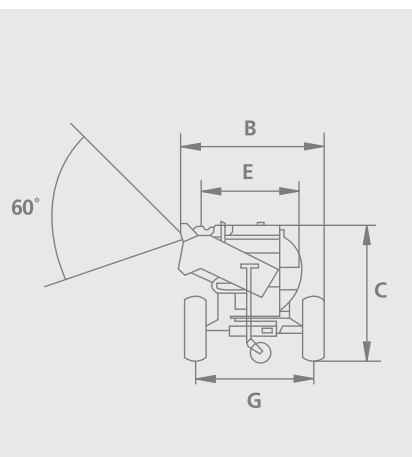
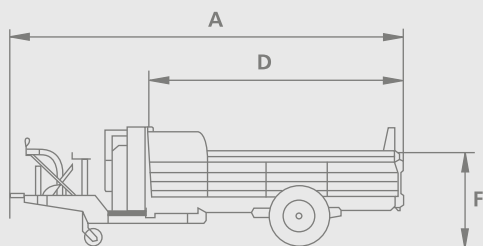
dafner vario

# List of dimensions

## Trailer spreader «vario»

Spreader type	Content m <sup>3</sup>	Total length	Total width	Total height	Tank length	Filling width	Filling height	Track width	Empty weight in kg	Support weight in kg	Guarantee weight in kg
		<b>A</b>	<b>B</b>	<b>C</b>	<b>D</b>	<b>E</b>	<b>F</b>	<b>G</b>			
2.16 A	2.1	505	210	182	278	103	125	160	1240	270	2700
2.76 A	3.1	505	210	207	278	128	135	160	1400	295	3700
3.26 A	3.3	535	210	207	308	128	135	160	1420	315	3900
3.76 A	3.8	585	210	207	358	128	135	160	1460	345	4400
3.06 A	3.4	505	210	207	278	128	151	160	1410	295	3800
3.56 A	3.8	535	210	207	308	128	151	160	1430	315	4300
4.06 A	4.3	585	210	207	358	128	151	160	1470	345	4700
5.56 A	5.5	570	235	204	345	143	170	195	2120	600	7500
7.06 A	7.0	656	245	204	431	143	170	195	2350	800	9000

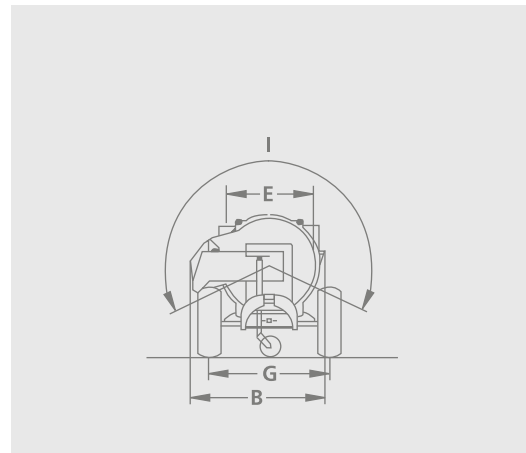
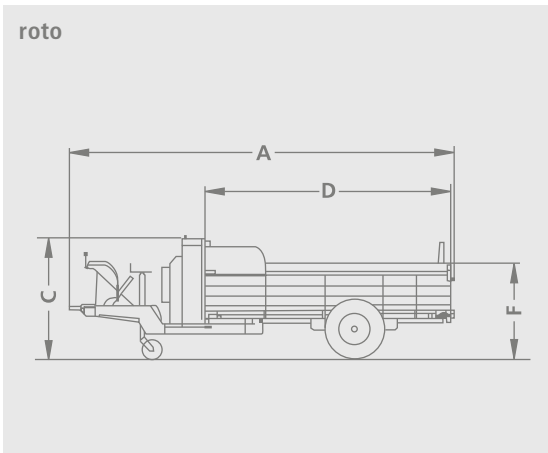
vario



# List of dimensions

## Trailer spreader «roto»

Spreader type	Content m <sup>3</sup>	Total length	Total width	Total height	Tank length	Filling width	Filling height	Track width	Rotation angle	Empty weight in kg	Support weight in kg	Guarantee weight in kg
		<b>A</b>	<b>B</b>	<b>C</b>	<b>D</b>	<b>E</b>	<b>F</b>	<b>G</b>	<b>I</b>			
2.16 A	2.1	505	210	182	278	103	125	160	240°	1260	280	2700
2.76 A	3.1	505	210	207	278	128	135	160	240°	1420	305	3700
3.26 A	3.3	535	210	207	308	128	135	160	240°	1440	325	3900
3.76 A	3.8	585	210	207	358	128	135	160	240°	1480	355	4400
3.06 A	3.4	505	210	207	278	128	151	160	240°	1430	305	3800
3.56 A	3.8	535	210	207	308	128	151	160	240°	1450	325	4300
4.06 A	4.3	585	210	207	358	128	151	160	240°	1490	355	4700
5.56 A	5.5	570	235	204	345	143	170	195	240°	2140	610	7500
7.06 A	7.0	656	245	204	431	143	170	195	240°	2370	810	9000





# Gafner spreaders at a glance



Mounted **vario**



Trailer **roto**



Mounted **vario**



Mounted **roto**



Trailer **vario**



Trailer **xl**

Your contacts:

Gafner Maschinenbau AG  
Chefholzstrasse 1  
CH-8637 Laupen-Wald  
T +41 (0) 55 246 34 15  
F +41 (0) 55 246 51 70

[www.gafner-streuer.ch](http://www.gafner-streuer.ch)

