

WELCOME TO OUR
TWEEN ROOMS

Kids interiors since 1972

SLEEP

PLAY

STUDY

Created by FLEXA

FLEXA[®]



CONTENT

HI!	04
CLASSIC	06
WHITE	18
POPSICLE	26
STUDY STUDY STUDY	36
BYE BYE SEE YOU SOON	44

HI!



My name is Marley. It's so nice to meet you. I'm excited to show you all of my friends' rooms, so that you can find inspiration for your own place.

You can see my private hangout, meet all of my friends and see their space on flexaworld.com

MARLEY — 9 years



CLASSIC

— Created by FLEXA —

The CLASSIC collection is characterised by its timeless and Danish design, making it easy to decorate your child's room. CLASSIC is designed to be built and rebuilt to grow with the child.

In each product you can see the knots in the wood, which brings nature into the room. The collection is designed in three beautiful colours and is made of high quality pine.

Kids interiors since 1972

SLEEP

PLAY

STUDY



WELCOME
to my space

CLASSIC single bed, grey washed / DOTS table, white / CLASSIC chest, grey washed / CLASSIC wardrobe, grey washed / POPSICLE bedlinen, blueberry / ROOM COLLECTION rug, light/dark mountain grey.



MY PRIVATE PLACE

08
09



When I want to be alone I close the door to my room and game with my friends. My bed is the perfect place to sit and relax with some good music in my ears.

LASSE — 12 years



10
11

STUDY STORAGE





MY TWEEN ROOM

My room is the best place to be. It is cosy and decorated with my study desk under my bed. I love hanging out there and do my homework.

FELIX — 10 years

12
13



CLASSIC high bed with straight ladder / Desk for CLASSIC high bed / CLASSIC chest, grey washed / CLASSIC wardrobe, grey washed / POPSICLE Bedlinen, blueberry / ROOM COLLECTION rug, mountain grey / PLAY table, white.



CLASSIC chest, white washed / CLASSIC hutch, white washed / CLASSIC shelf unit, white washed / WOODY study desk, white washed/frosty blue / CONVERSA study chair.



14
15

OSCAR — 9 years

STUDY TIME

The study place in my room makes it possible for me to be creative, study and learn. The storage solution is the perfect place to organize all my stuff.





CLASSIC Mid-high bed w. 1/2 CLASSIC house, white washed / WOODY study desk, white/urban grey / ROOM Collection storage box, frosty blue og moss green / RAY study chair.



MY OWN HANGOUT

WHITE

— Created by FLEXA —

Straight lines and a modern Scandinavian design is the essence of the **WHITE** collection. **WHITE** is designed to be build and re-build to grow with the child.

Add a beautiful light blue or light rose safety rail to give the simple design a new look. The collection is made of high-quality MDF and birch.

Kids interiors since 1972

SLEEP

PLAY

STUDY



WELCOME
to my studio



FOR THE LOVE OF MUSIC

When I grow up I want to be a rock star. I love to practice on my guitar in my room all day long. Unfortunately, I can't because I have to go to school sometimes.

MARLEY — 9 years



WHITE high bed / CABBY low hutch / CABBY bookcase /
EVO study desk / RAY study chair / POPSICLE bed linen, kiwi



■
**WELCOME
TO MY ROOM**





ANDERS — 10 years





**LET'S
LEARN**

POPSICLE

— Created by FLEXA —

The POPSICLE collection is designed with great attention to detail using in-depth knowledge of kids, and is made from the finest oak combined with beautiful and child-appealing colours. With POPSICLE you are guaranteed versatile interior solutions that are to meet the changing needs of every child. A beautifully balanced colour scheme combined with natural materials and shapes bring the Danish design to life.

Kids interiors since 1972

SLEEP

PLAY

STUDY



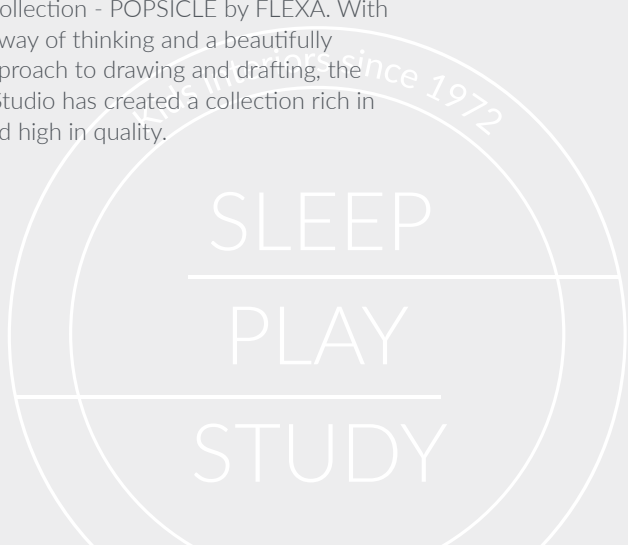
FRIENDS
only

HERMAN STUDIO

DESIGNER



The Danish visionary design team Herman Studio has designed our Red Dot Award winning collection - POPSICLE by FLEXA. With a holistic way of thinking and a beautifully simple approach to drawing and drafting, the Herman Studio has created a collection rich in details and high in quality.



AWARD WINNING DESIGN

POPSICLE

Beautiful – Balanced



POPSICLE BUNK BED
BLUEBERRY



reddot award 2017
winner



BLUEBERRY LOVE

My best friend is Filucca and I love having her over. We love to do everything together. Sometimes we go on fun adventures and other times we just hang out and relax.

VICTOR — 10 years

30
31



POPSICLE high bed, blueberry / POPSICLE chest, blueberry / POPSICLE high wardrobe, blueberry / POPSICLE study desk, blueberry / POPSICLE bed linen, blueberry




POPSICLE singlebed, kiwi / POPSICLE study desk, kiwi /
POPSICLE high wardrobe, kiwi / Ray study chair, black.



GREEN VIBES

32
33



Visit
flexaworld.com
and meet my friend
Ella and see her
princess room.

The atmosphere in my room is comfortable and I have space for my friends. Especially my big new bed gives lots of opportunities for sleep overs.

DANIEL — 12 years

POPSICLE Collection

WE GROW...

Single beds

Colour options:



Item no.: 80-24101-32
H:37,5 L:204,2 W:101,8



Item no.: 80-24103-32
H:53,5 L:204,2 W:101,8



Item no.: 80-24102-32
H:67,2 L:204,2 W:101,8



Item no.: 80-24209-32
H:67,2 L:204,2 W:131,8



Item no.: 80-24201-32
H:90,3 L:204,2 W:131,8

Mid-high beds



Item no.: 80-24301-32
H:120,5 L:204,2 W:108



Item no.: 80-24302-32
H:120,5 L:204,2 W:150,5



Item no.: 90-10765-32
H:120,5 L:255,7 W:101,8

Bunk beds



Item no.: 80-24401-32
H:184,5 L:204,2 W:108



Item no.: 80-24404-32
H:184,5 L:204,2 W:161,5



Item no.: 90-10764-32
H:184,5 L:255,7 W:151,8

High beds



Item no.: 80-24502-32
H:184,5 L:204,2 W:181,8



Item no.: 90-10766-32
H:184,5 L:255,7 W:148

TOGETHER

Visit flexaworld.com and see the entire POPSICLE Collection.

34
35

Bed drawers

Colour options / Handles:



Item no.: 82-20171-32
H:20,6 L:173,3 D:61,3

Wardrobes

Colour options / Handles:



Item no.: 81-30504-32
H:202,2 L:101 D:56,5



Item no.: 81-30505-32
H:202,2 L:51,3 D:56,5

Low storage

Colour options / Handles:



Item no.: 81-30201-30
H:74,2 L:30 D:34,5



Item no.: 81-30202-30
H:74,2 L:72 D:34,5



Item no.: 81-30301-32
H:74,2 L:72 D:43,5

High storage

Colour options / Handles:



Item no.: 81-30501-30
H:138,2 L:37,5 D:34,5



Item no.: 81-30502-30
H:138,2 L:87,5 D:34,5



Item no.: 81-30503-32
H:138,2 L:87,5 D:56,5

Tables with oak legs

Colour options:



Item no.: 82-50103-25
Ø:60 H:47

Stools with oak legs

Colour options:



Item no.: 82-10047-25
Ø:30 H:30

Study Desks

Colour options:



Item no.: 82-50127-32
H:73,5 L:124,2 D:60

Drawers

Colour options:



Item no.: 82-20140-32
H:8,4 L:27,6 D:34,8

STUDY STUDY STUDY

The FLEXA study collection offers a healthy and comfortable solution – especially for children who spend a lot of their time at home sitting at a desk. The collection features exclusive Danish design and important flexibility.

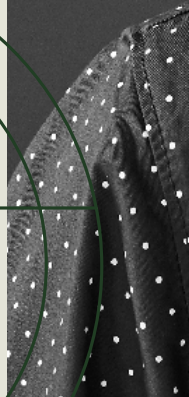
Children concentrate and learn best when they're sitting on chairs and working at desks with an ergonomic design that supports their natural energy.



Kids interiors since 1972

STUDY

36
37



**“WHEN I GROW UP, I WANT TO BE A
FIREFIGHTER OR WORK IN A SWEET
SHOP OR MAYBE EVEN BE A VET?”**

VICTOR — 10 years



CABBY low hutch / CABBY wardrobe / CABBY bookcase /
MOBY study desk / RAY study chair.





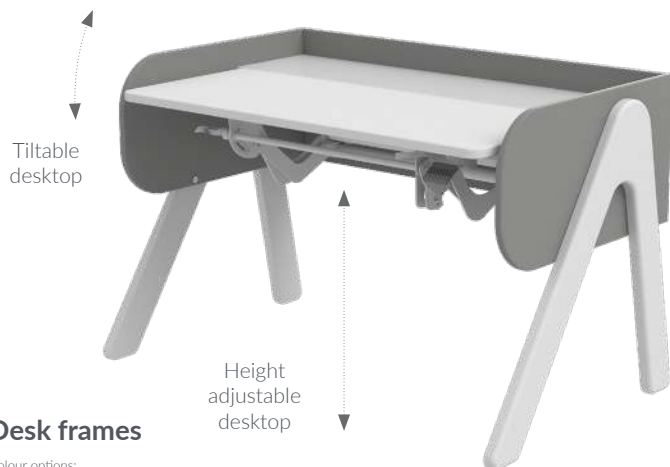
HARMONIOUS STUDY ENVIROMENT

In my room I have the best requisite for a successful and joyful learning. I love spending time at my study desk and do my homework

VICTOR — 10 years

WOODY

Study desks



NEW



Item no:82-50132-45
H:50/83W:120 D:70



Item no:82-50132-40
H:50/83W:120 D:70

VERTO

Study chairs

Colour options:



Item no:82-10073

NOVO

Study chairs

Colour options:



Item no:82-10069

40
41

STUDY Collection

WE GROW TOGETHER

EVO

Study desks



EVO SPLIT / Item no:82-50147
H:56/79W:120 D:70

Accessories / Deskpad

Colour options:



Item no:82-50137 / 82-50138/ 8-50140
H:0,35/2W:66 D:43



EVO / Item no:82-50146
H:56/79W:120 D:70

MOBY

Study desks



MOBY- Left up / Item no:82-50149
H:59/83W:120 D:70



MOBY-Right up / Item no:82-50148
H:59/83W:120 D:70



MOBY-Middle Up / Item no:82-50150
H:59/83W:120 D:70

OUR BRAND VALUES

— Created by FLEXA —



Danish Design

Our products are characterized by Danish design in natural materials. FLEXA has been awarded with the prestigious Red Dot Design Award four times.

Expert Knowledge

Almost 50 years of experience has given us In-depth knowledge of children's development which is a key pillar in our insight in creating furniture.



Safe Design

Our products comply with the world's strictest safety requirements.



Functionality

Functionality and flexibility are the essences of FLEXA. We design to meet the ever-changing needs of the growing child.

Pure Materials

We aim to use only natural certified materials.



Playfulness

We develop and design playful products with the purpose of promoting children's development and imagination.

Quality and Craftsmanship

We always aim high. For us true craftsmanship is characterised through design, finish and choice of material.





BYE BYE
SEE YOU
SOON IN
OUR STORES,
ONLINE
OR ON
THE SOCIALS



Join our playful universe on social media



#flexa #flexaworld

FLEXA[®]

flexaworld.com

With reservations for printing mistakes, colour differences and changes in product range.