

Q-ODC-2 Mini

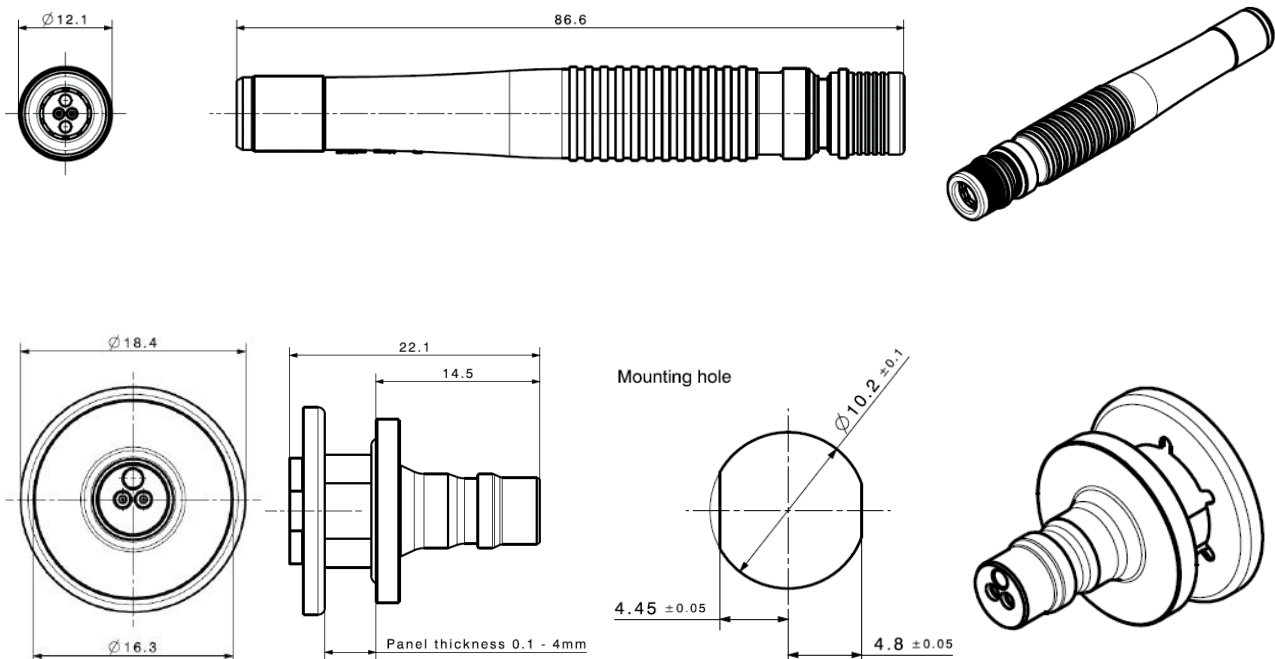
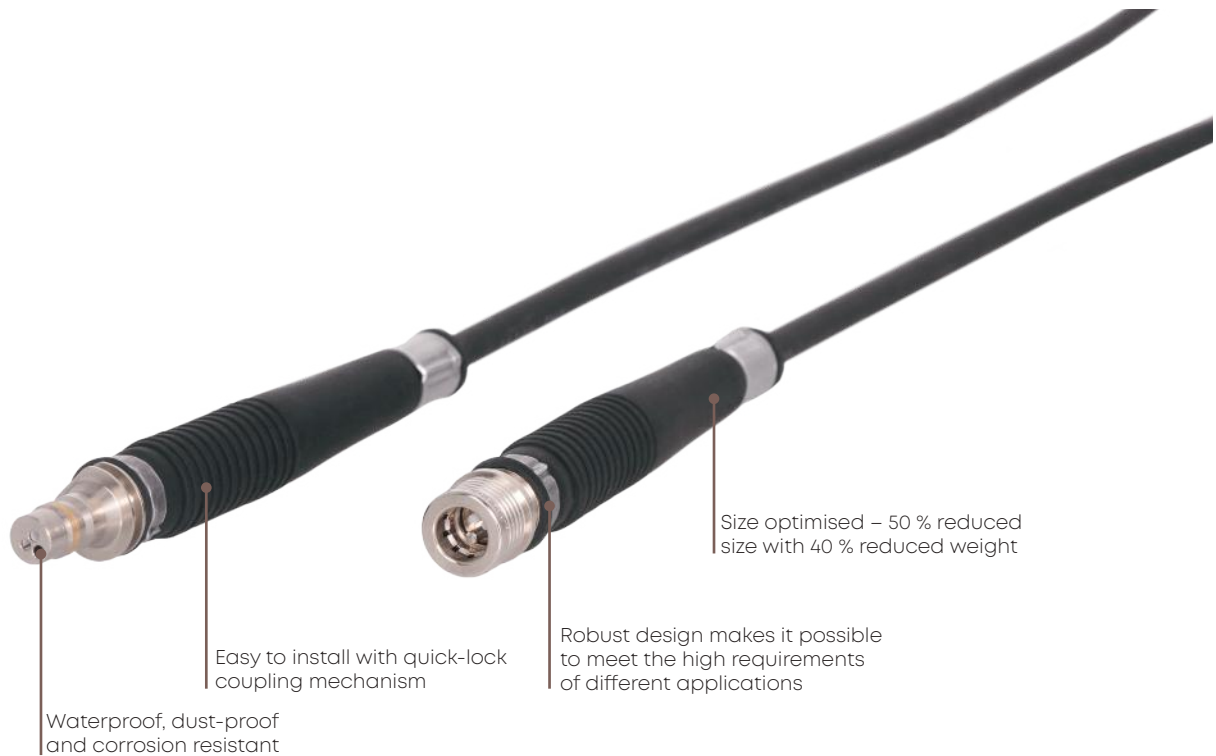
New outdoor fiber optic connector

Edition 2020/06



Q-ODC-2 Mini – smallest fiber optic connector for harsh environments

Fiber optic products manufactured by HUBER+SUHNER are suitable for complex applications with very high data rates and are constantly being further developed. HUBER+SUHNER is now expanding the connector portfolio with the Q-ODC-2 Mini. The size optimised connector with two fibers is used in especially harsh environmental conditions. Even when installation has to be fast and safe, this smallest fiber optic interface is the ideal solution for applications in communication and industrial market.



Highlights of Q-ODC-2 Mini



Features

- 2 fibers, single-mode or multimode
- Compact design with 2 × 1.25 mm ferrules
- Size optimised built-in socket
- Extension connector for cable chaining
- Robust push-pull coupling mechanism – two clearly defined mating states
- Highest outdoor installation safety
- Waterproof, dust proof and corrosion resistant
- Waterproof protection caps available
- EMI protected
- RoHs compliant

Specifications		
Technology		full ceramic ferrule and sleeve
Housing material		nickel-plated brass
Mating mechanism		push-pull with two clearly defined states
Mechanical performance	Q-ODC plug	≤ 150 N tensile load
	Q-ODC socket	≤ 30 N tensile load
Operating temperature ¹⁾	IEC 61300-2-22	-40 up to +85 °C
Mating durability	IEC 61300-2-2	50 cycles ²⁾
Ingress protection (mated)	IEC 60529	IP65
Salt mist	IEC 61300-2-26	30 days passed
Vibration	IEC 61300-2-1	passed 10 to 500 Hz/10 g
	IEC 61373	passed category 1A/B, 2, 3
Shock	IEC 61300-2-9	passed 50 g
	IEC 61373	passed category 1, 2

¹⁾ depending on cable type, ²⁾ with repeated cleaning

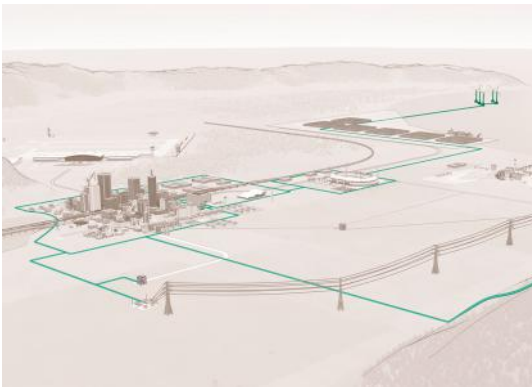
Optical performance			
Insertion loss/IEC 61300-3-34	single-mode	typ. ≤ 0.20 dB	97 % ≤ 0.45 dB
	multimode	typ. ≤ 0.20 dB	97 % ≤ 0.50 dB
Return loss	single-mode	≥ 50 dB	

Applications in the communication and industrial market



Communication applications

Three stages are crucial when deploying new communication infrastructure: planning, building and operation. HUBER+SUHNER solutions are addressing these three dimensions by reducing size of our products and with that simplifying site permitting procedures or we improve deployment cost and make maintenance much more simple. With our products, we create added value along those three dimensions and help reducing cost per bit.



Industrial applications

Connectivity to appliances mounted in challenging environments where small form factors and low mass are of the essence, e.g., high-density multi-ports, fit through small-diameter feedthroughs, mounting on moving devices. Typical industry examples are networks on rolling-stock, sensors within wind turbine blades and robotic systems.

HUBER+SUHNER
Degersheimerstrasse 14
9100 Herisau
Switzerland
Phone +41 71 353 41 11
hubersuhner.com

4643/17/143/06.2020

HUBER+SUHNER is certified according to ISO 9001, ISO 14001, OHSAS 18001, EN(AS) 9100, IATF 16949 and ISO/TS 22163 – IRIS.

Waiver

Fact and figures herein are for information only and do not represent any warranty of any kind.