

magnetic

M A L L E T

**Experience the Next Level of Surgeries
With a Single Device**





Index

Introduction to Osseotouch:	01
Magnetic Mallet:	02
Magneto Dynamic Technology & Its Advantages:	03
5 Extractors:	04-05
Osseotomes:	06-08
5 Black Ruby:	09-10
Elevate:	11-14
First:	15
Expander Kit:	16
Genoa:	18-19
Kit Dynamic Guided Standard:	20
Easy Pin: :	21
PT-1 Kit:	22-23
Crown Remover:	24



We develop patents and devices with the most advanced technology available in the dental industry: the Magnetic Dynamic technology.

We brought to the market the Magnetic Mallet and Easyroot along with a wide range of solutions for modern surgery, with the aim of accompanying and supporting our customers in an increasingly intuitive, simple and predictable daily practice. Claudio De Giglio & Manuel Scali Founders Osseotouch.

Magnetic Mallet | Simple, intuitive, complete



weight Kg 4,7

25 cm

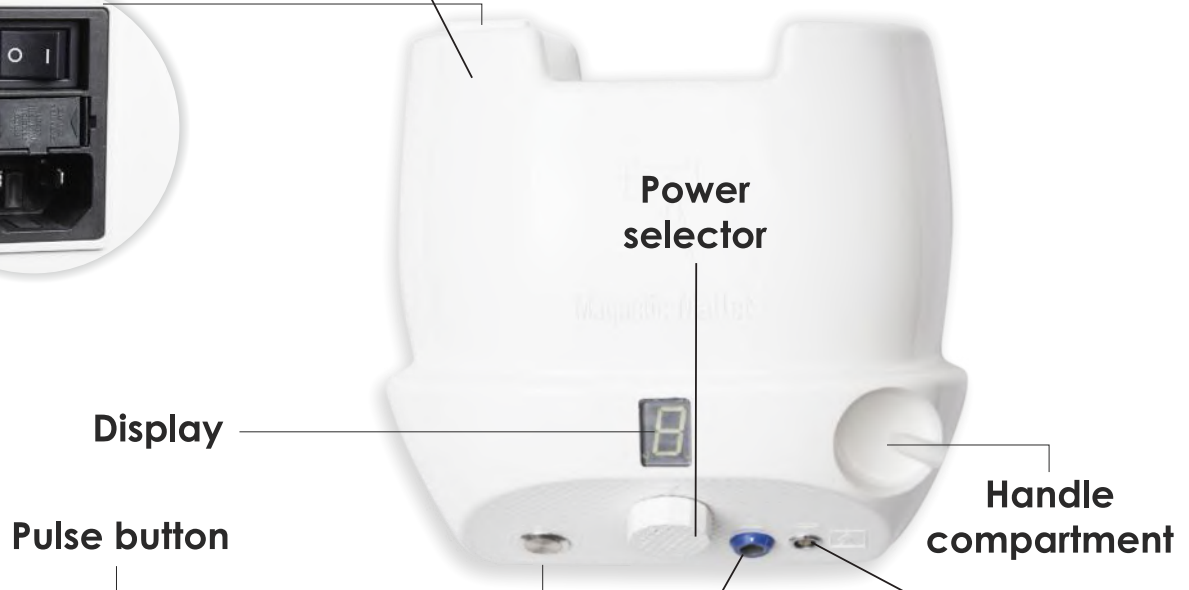


11 cm

23 cm

A compact, manageable, and quick-to-prepare device for your surgeries. The only command is the power selector, ranging from 1 to 4.

Magnetic Mallet is produced by: Meta Ergonomica S.r.l. Via Monte Nero 19, 20029 Turbigo (MI), Tel:0331 890280



Only two connectors, one for the handle and one for the pedal. Backup button to activate the pulse alternatively to the pedal.



Magneto Dynamic Technology

Magneto dynamic technology is based on the innovative concept of acceleration, reducing impact times and maximizing both force and effectiveness. Through magnetism, the force and acceleration intervals necessary for successful minimally invasive surgeries can be generated. Precise and constant control of forces is fundamental to ensure the safety of operators during procedures. Thanks to controlled power, tissues can be managed safely, quickly, and minimally invasively. Osseotouch is committed to collaborating exclusively with certified top-tier partners within a network dedicated to innovation and continuous production of new ideas. Through this collaboration, the company expands both globally and into new sectors, bringing Italian excellence to all five continents.



Magneto Dynamic Technology

Speed

Magneto dynamic propulsion applies more force than manual tools, ensuring greater effectiveness in the operation.

Precision

Forces are focused in the treated area, minimizing their dispersion and generating more comfort for the patient and total accuracy in the procedure.

Directionality

The ergonomics of the handle allow for one-handed use and facilitate positioning in the treatment area.

Visibility

The lack of irrigation increases the operator's visibility, allowing control over the progressive penetration of the instrument.

Control

Forces are applied with great precision in any procedure, ensuring total control by the operator.

Coolness

The Magnetic Mallet substantially reduces heat generation, eliminating the need for irrigation.

Zero Cutting

It moves, replaces, reforms, condenses, without ever removing bone, leaving soft tissues intact.

Versatility

Multiple functions with the same handle, always using the necessary force for each procedure thanks to a high degree of progressiveness.

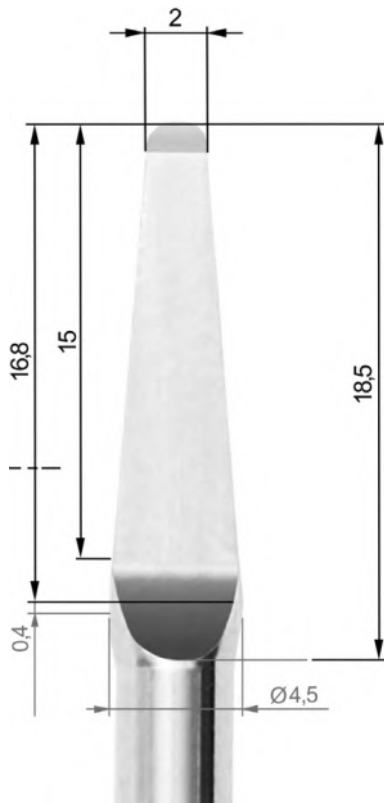
5 Extractors

Design studied to provide the best geometry for each extraction

The insertion of the extractor, which slides between the root and the alveolus, depends on both the angle of attack and the force applied. What makes the difference is the design of the instrument's tip. That's why there are 5 different extractors, including two specific ones for third molars.



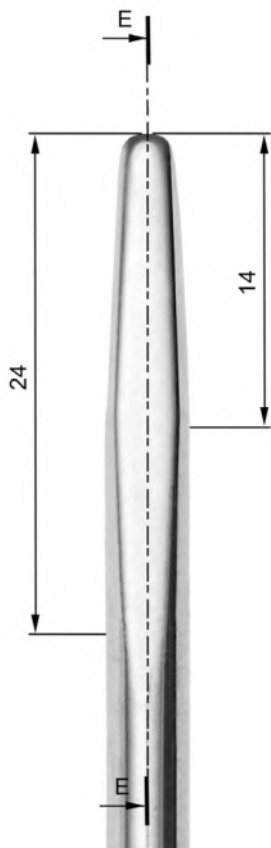
Dimensions



Extractor 1



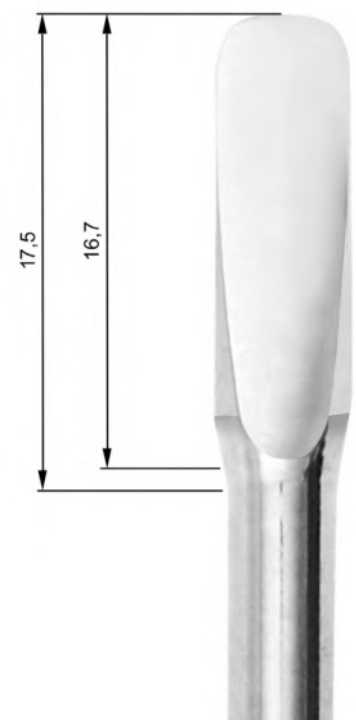
Extractor 2



Extractor 3



Extractor 4



Extractor 5

7 Osteotomes

7 osteotomes for anterior and posterior regions

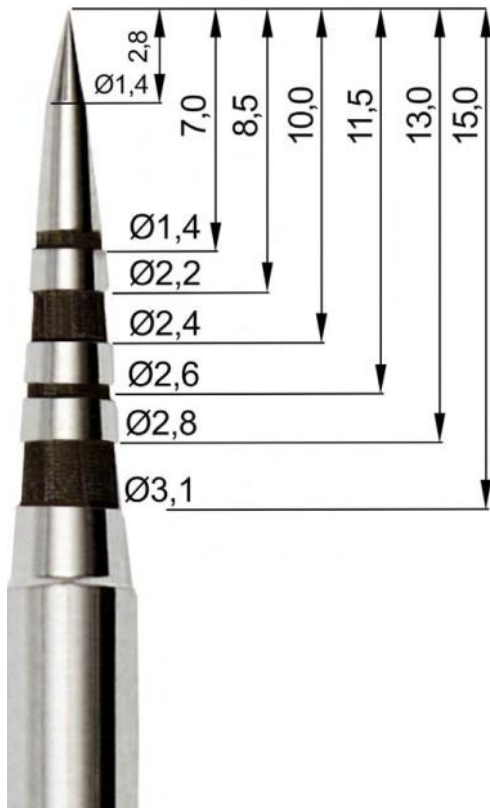
A series of 7 osteotomes, from 100p featuring a pointed apex to 360, used for implant preparations with large diameters. The sequence of diameters is extremely progressive, allowing very accurate preparations and fully controlled expansions.



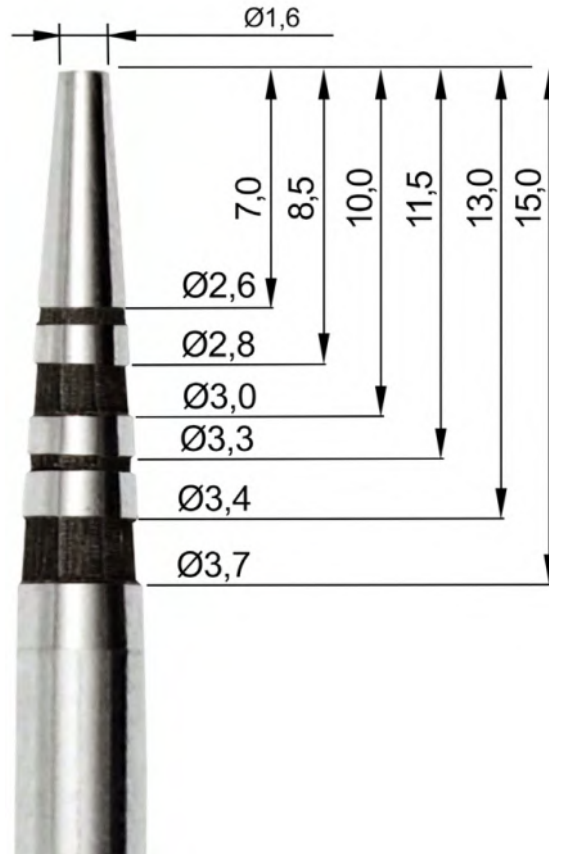
Curved



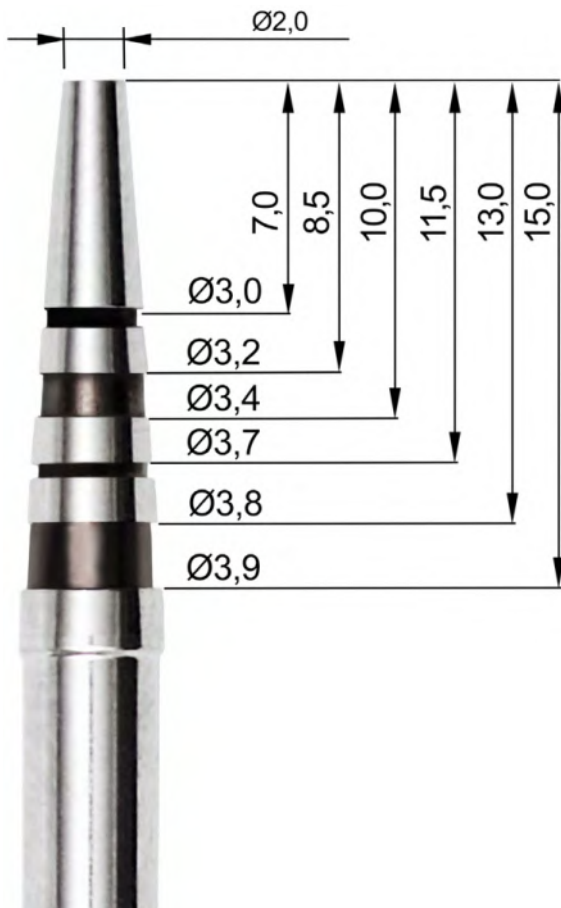
7 Osteotomes-Dimensions



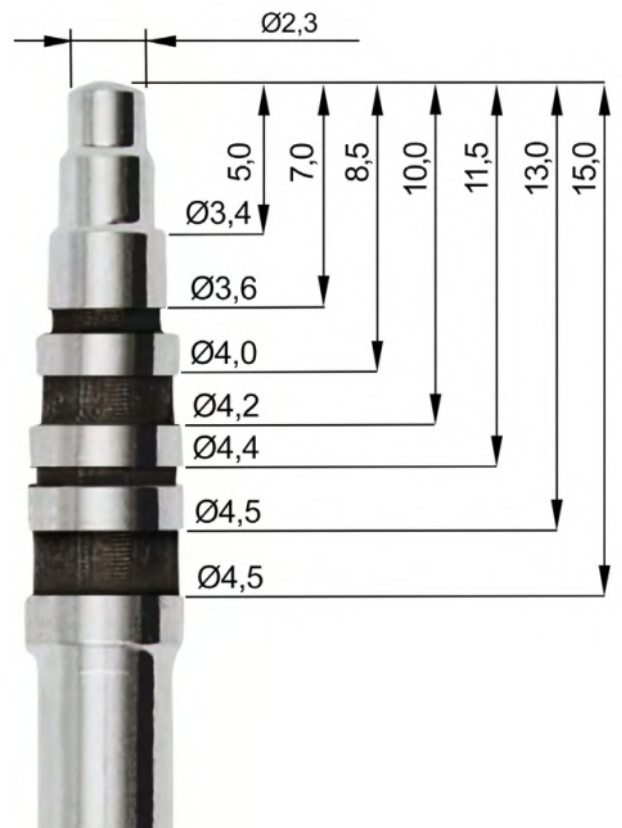
Osteotome 100P



Osteotome 160



Osteotome 200



Osteotome 230

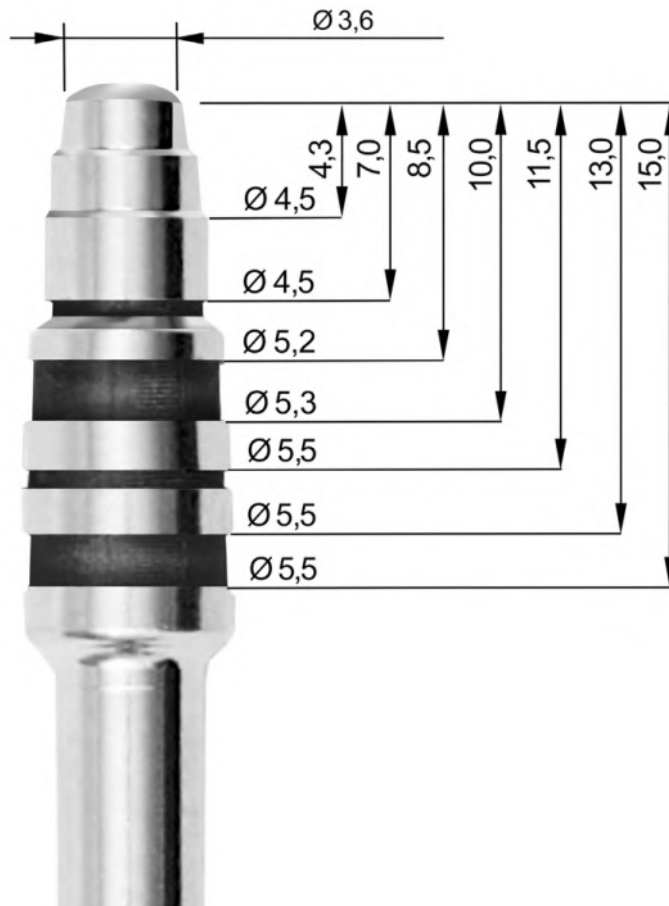
7 Osteotomes-Dimensions



Osteotome 300



Osteotome 330

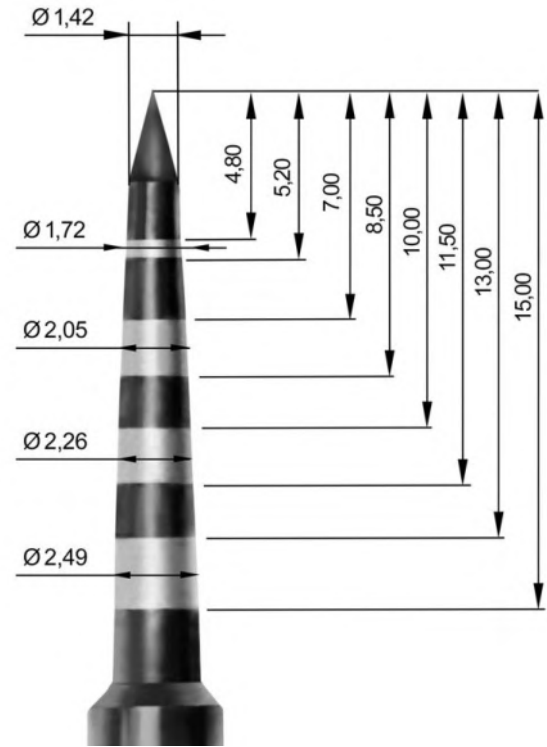


Osteotome 360

5 Black Ruby

The latest generation osteotome with DLC coating

Black Ruby improves the implant site preparation procedure thanks to the osteotome tip variable conicity that reduces the engagement of the cortex. The diamond-like carbon coating reduces the friction factor on the bone in an extremely perceptible way. The osteotome slides into the bone, shaping, expanding and condensing.



Black Ruby 1

BLK-R1

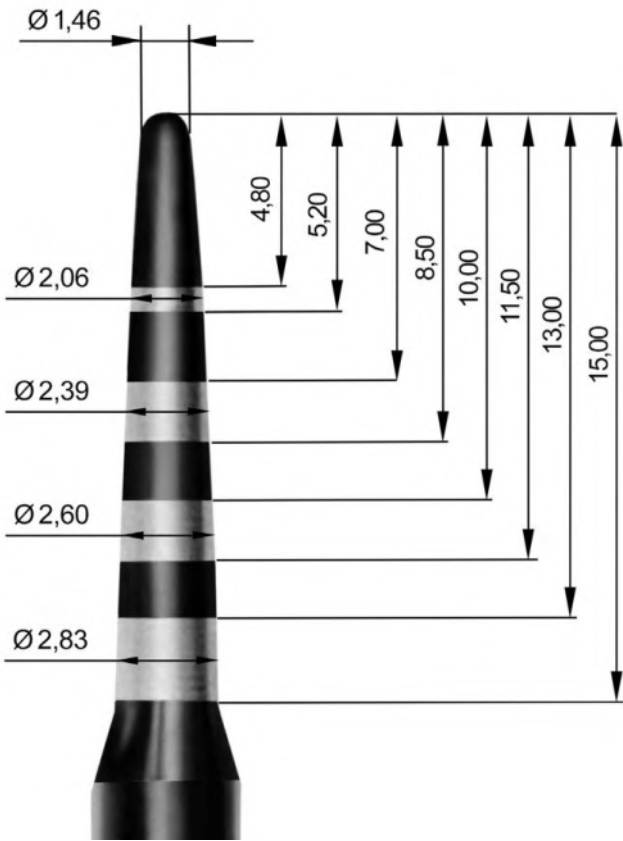
BLK-R2

BLK-R3

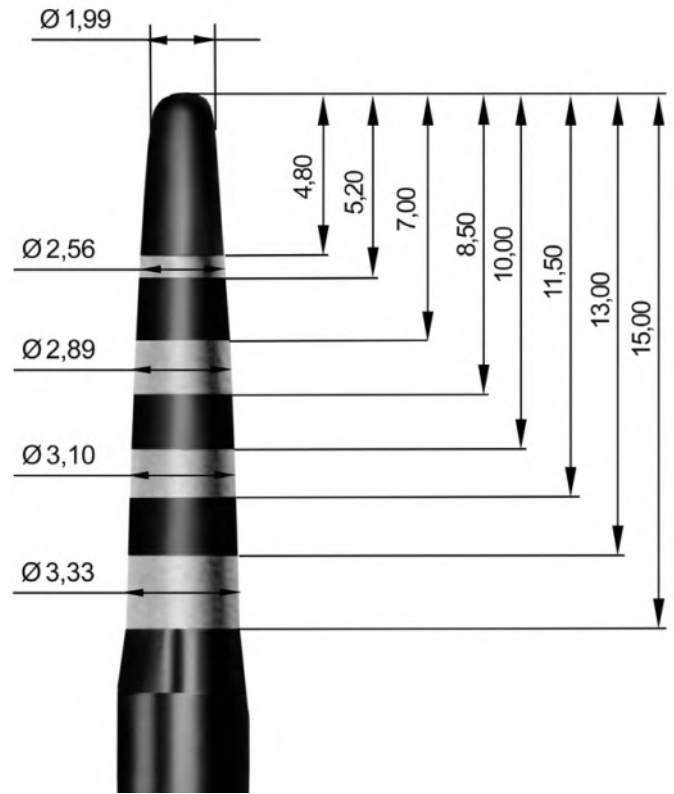
BLK-R4

BLK-R5

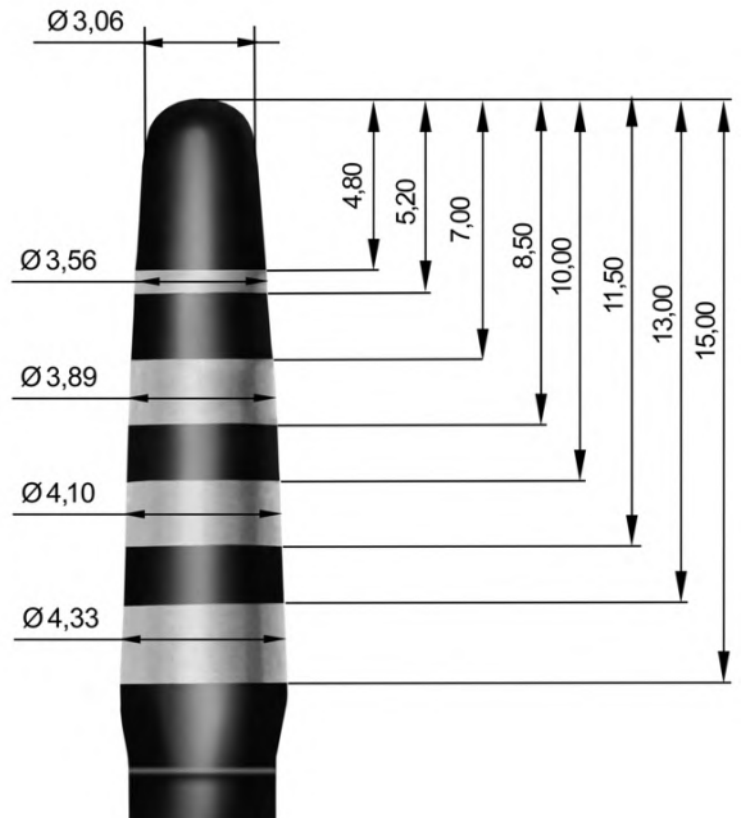
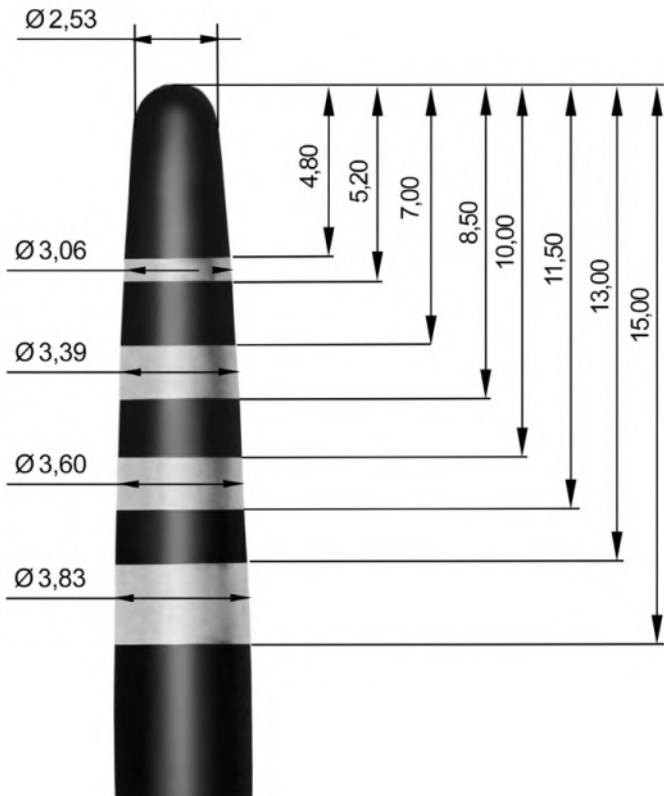




Black Ruby 2



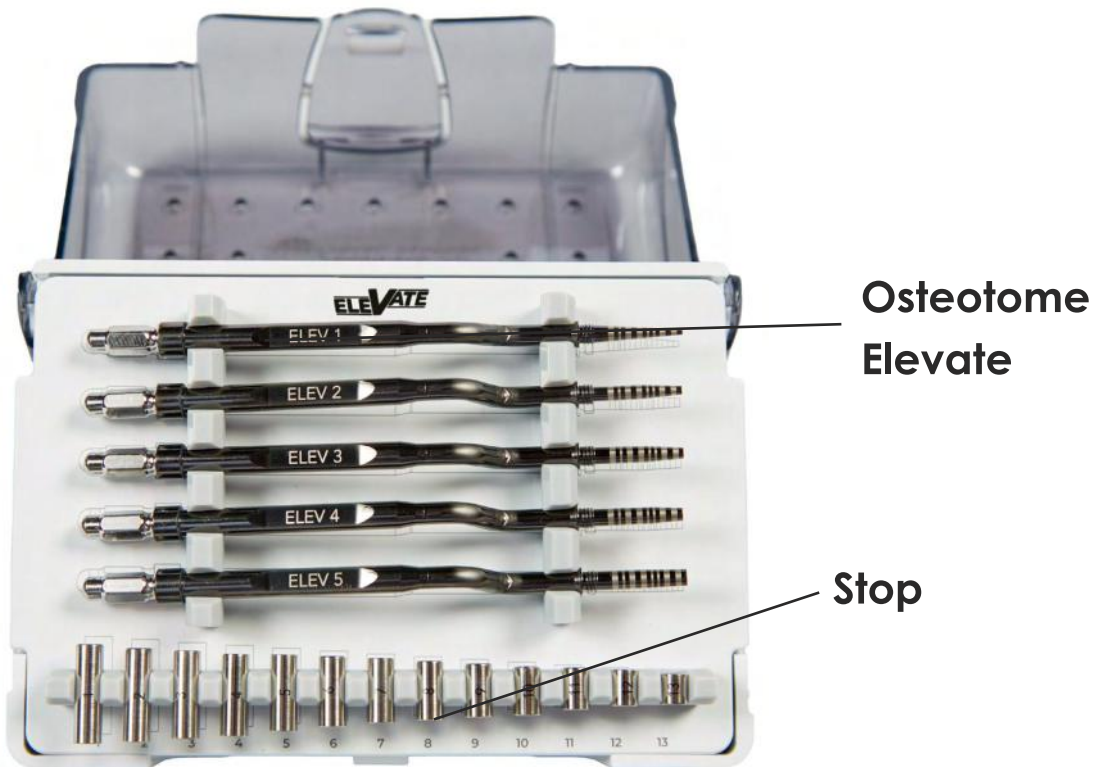
Black Ruby 3



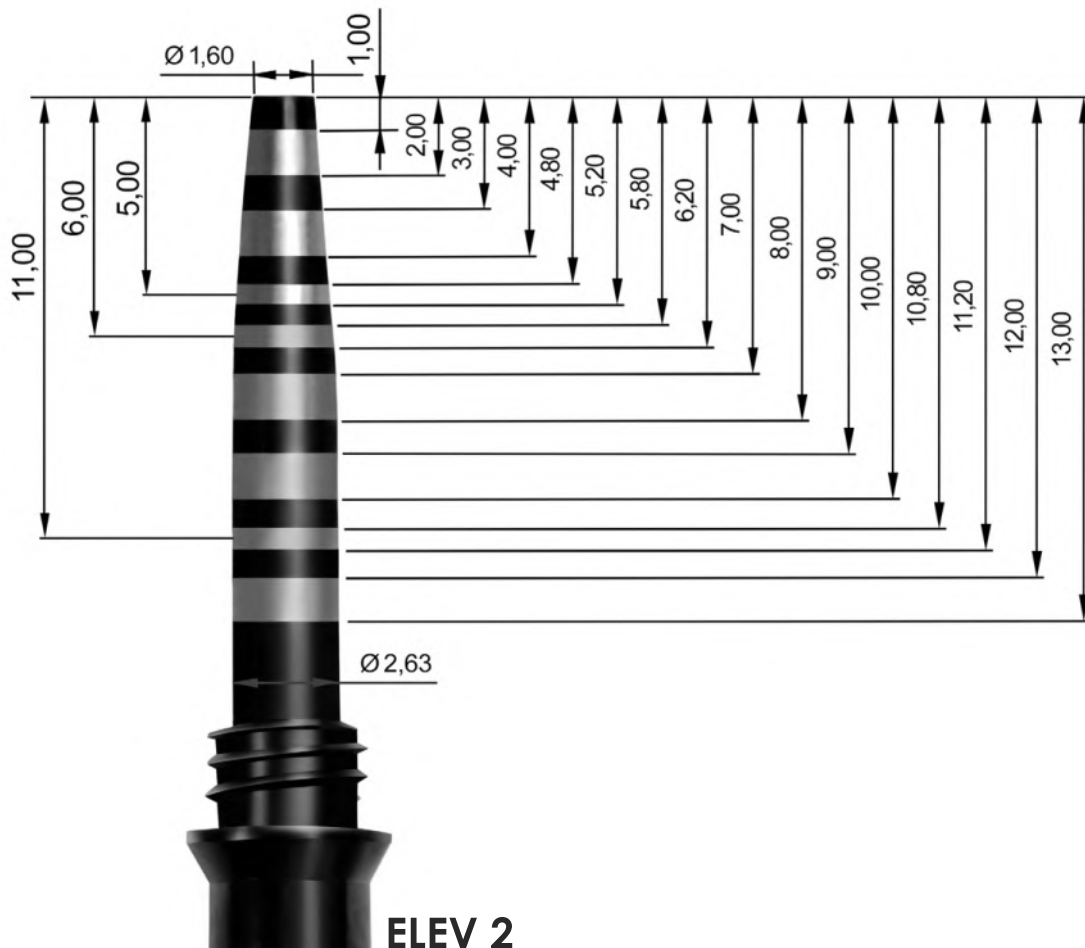
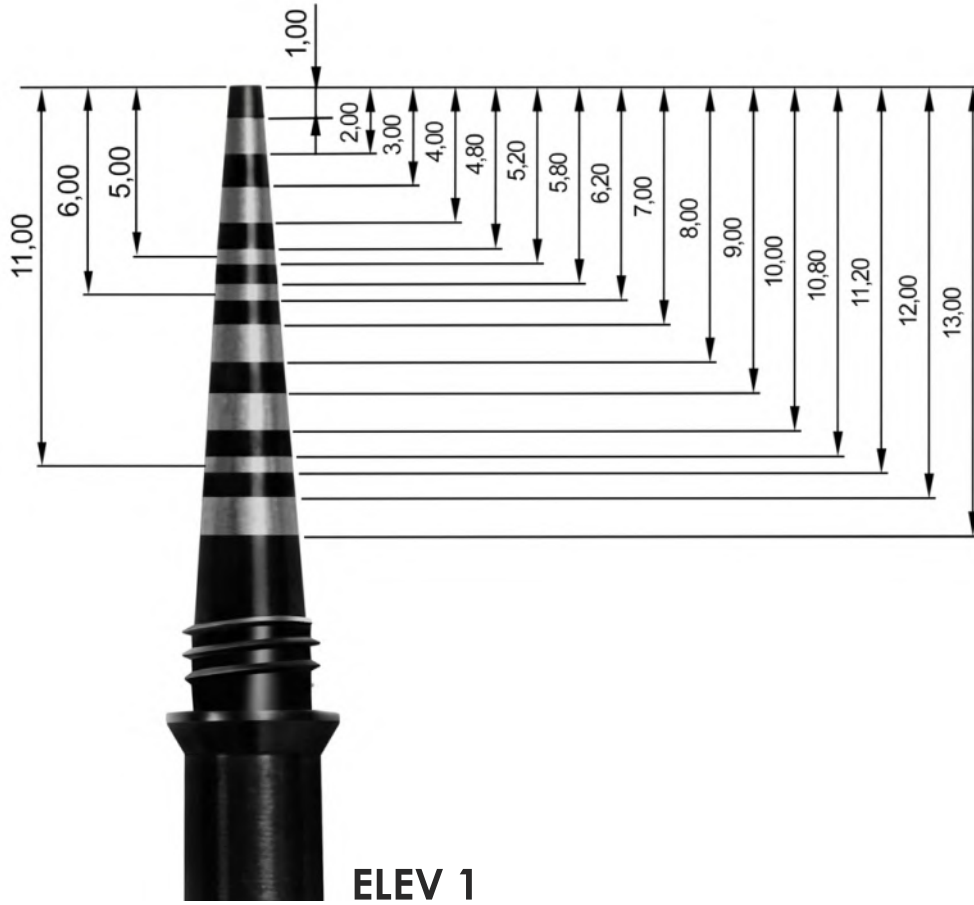
Elevate | The Ultimate Kit for Crestal Sinus Lift

Tradition and Magneto Dynamic technology

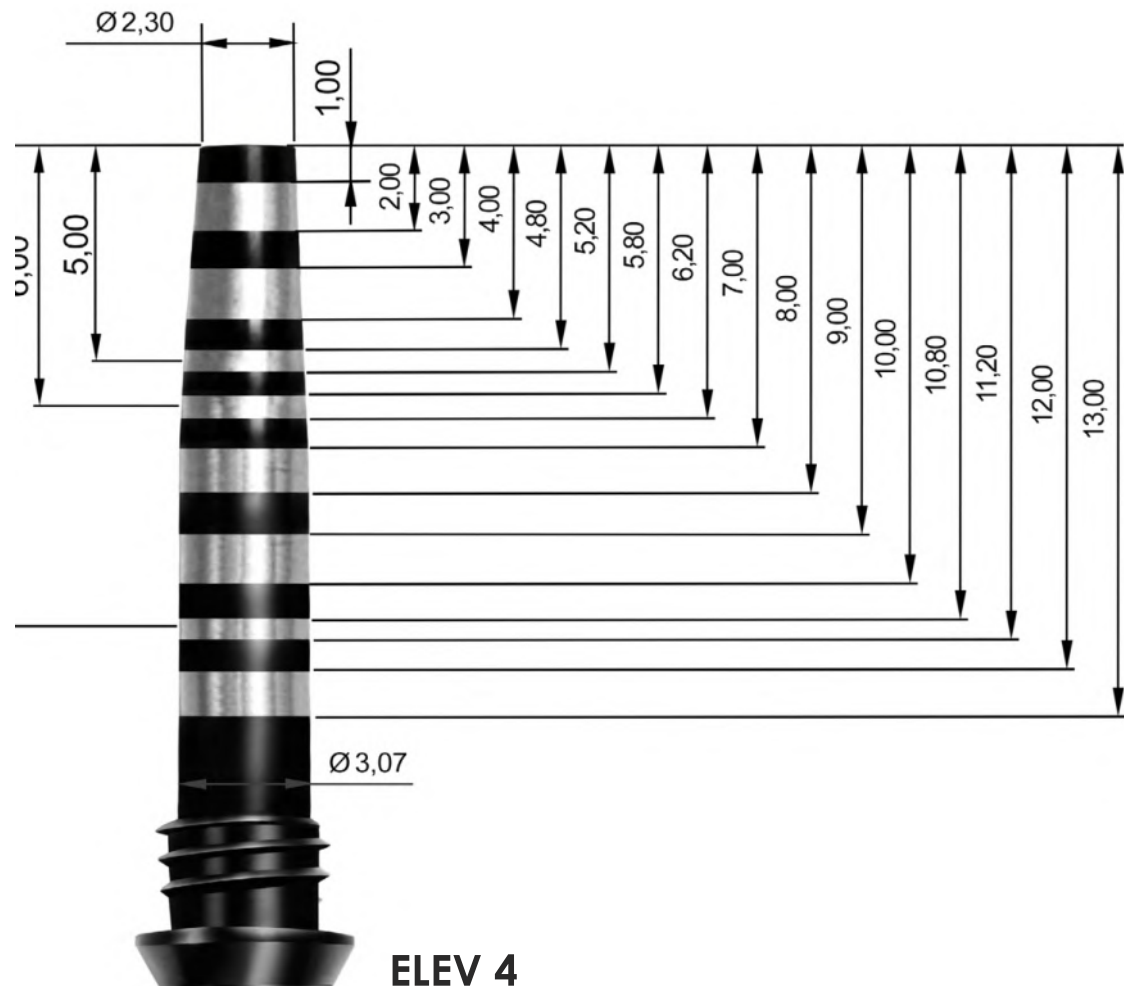
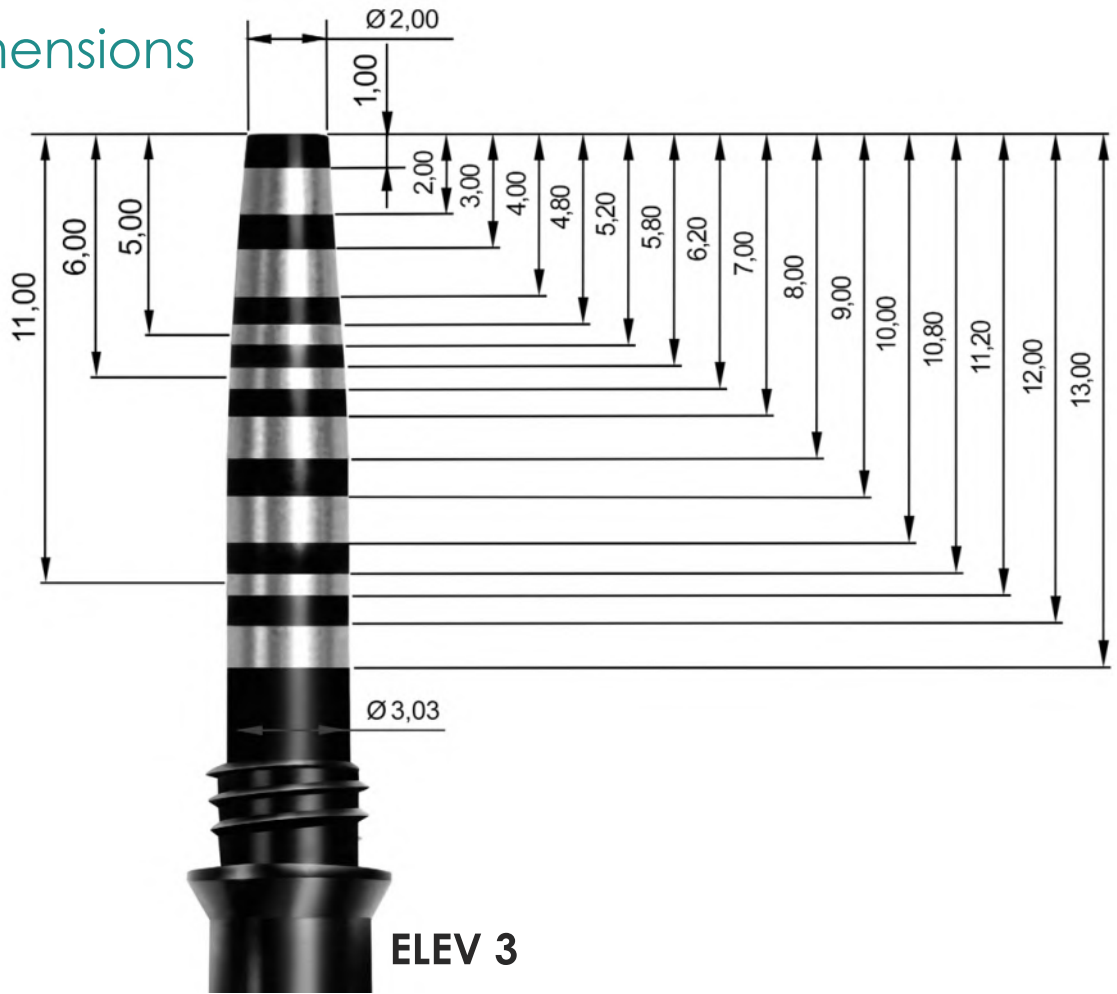
Kit designed for maxillary sinus lift equipped with millimetered stops for a safe clinical procedure. Kit composes of 5 Elevate osteotomes and 13 millimetered stops in radel box. Curved osteotomes with offset handles suitable for posterior and anterior sectors.



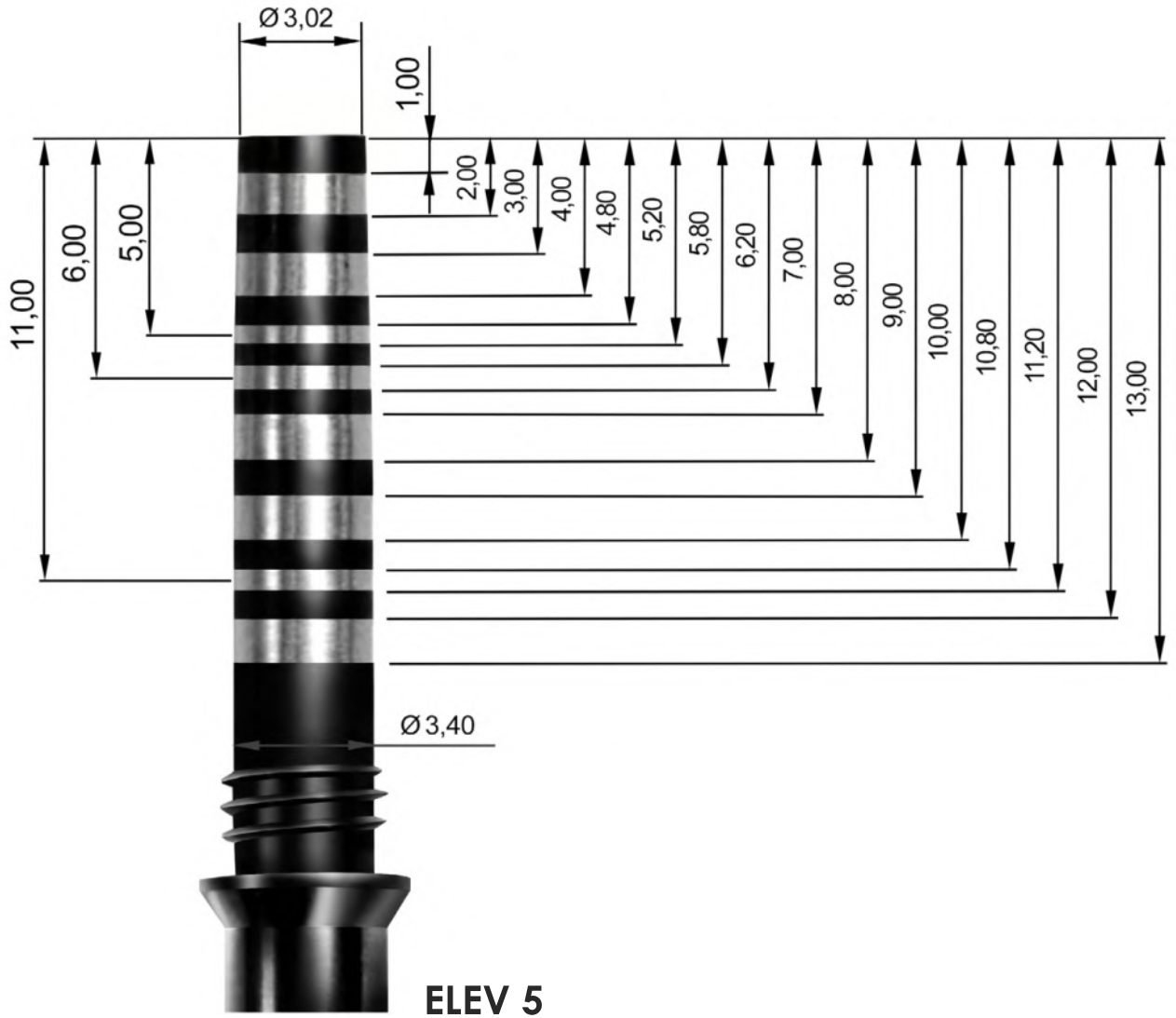
Elevate | Dimensions



Elevate | Dimensions



Elevate | Dimensions



First | For completely drills-free surgeries

The lanceolate tip of the instrument allows you to manage even the most represented corticals, completely avoiding the use of drills. With First it becomes much easier to determine the axis of the osteotomy even in the presence of thin crests, maintaining the osteotomes' trajectory in a safe and predictable manner.

Dimensions



$\phi 1.8\text{mm}$



FIRST

Expander Kit | For completely drills-free surgeries

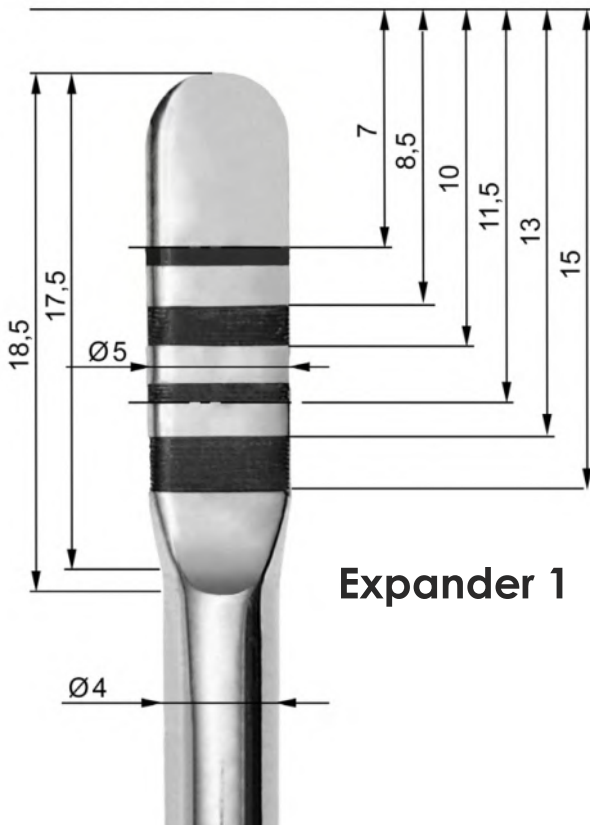
At progressively greater widths, with clearly visible depth marks

The management of thin crests with zero bone subtraction enabled by the Magnetic Dynamic technology is unmatched in oral surgery. The total control in the expansion of the ridge allows you to have a wide range of options for case management.



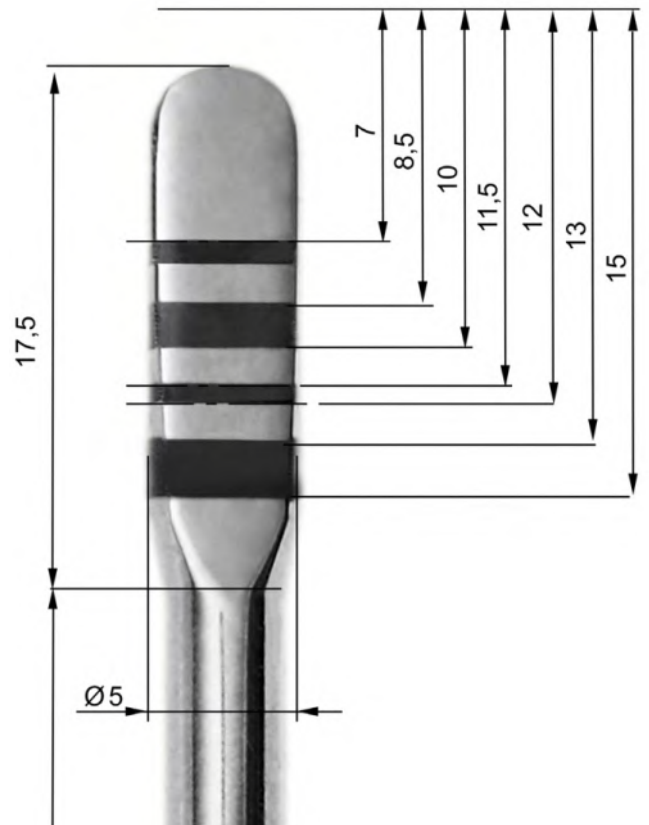
- 1 Split + 1 Cut + 3 Expanders

Dimensions



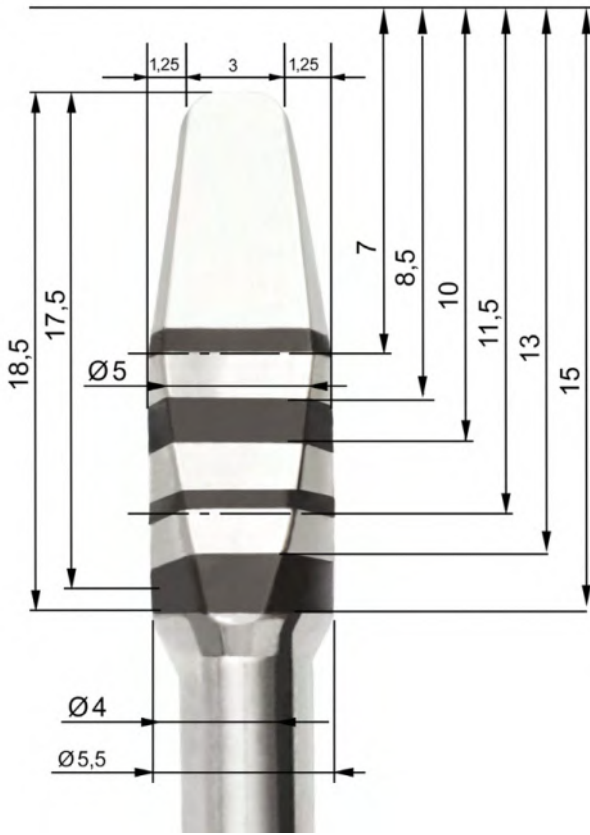
Expander 1

Expander 1

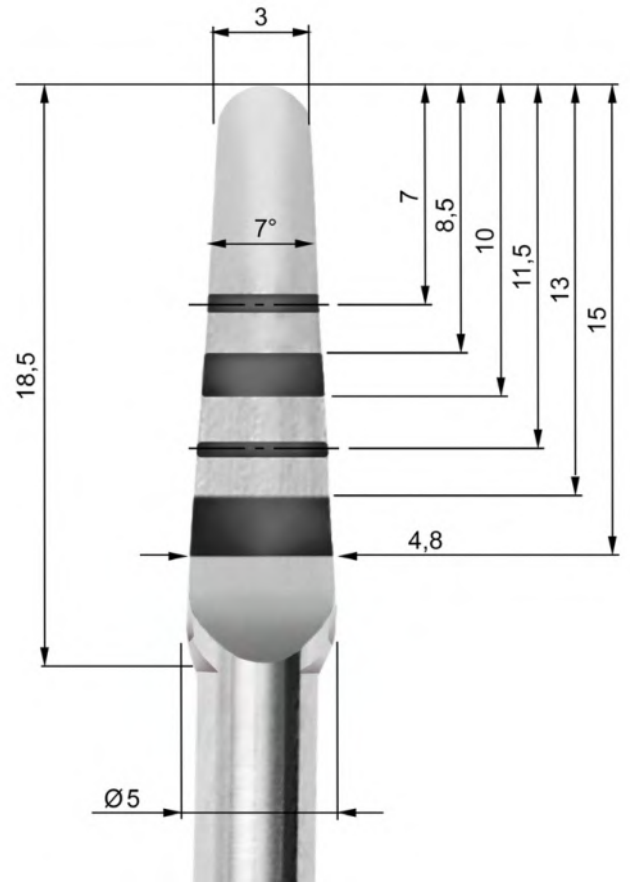


Expander 2

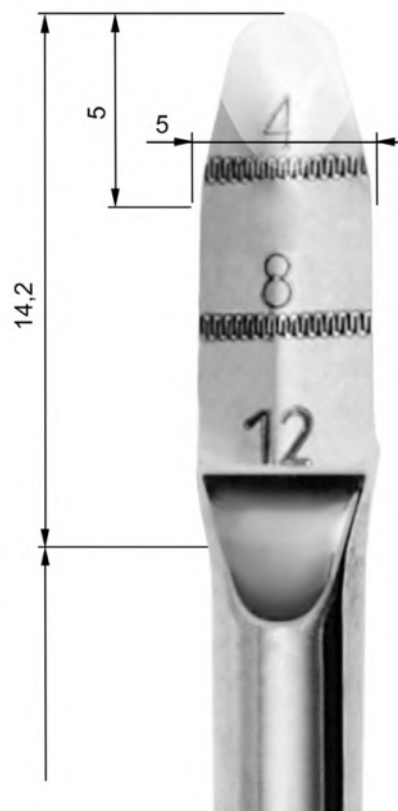
Dimensions



Expander 3



CUT



SPLIT

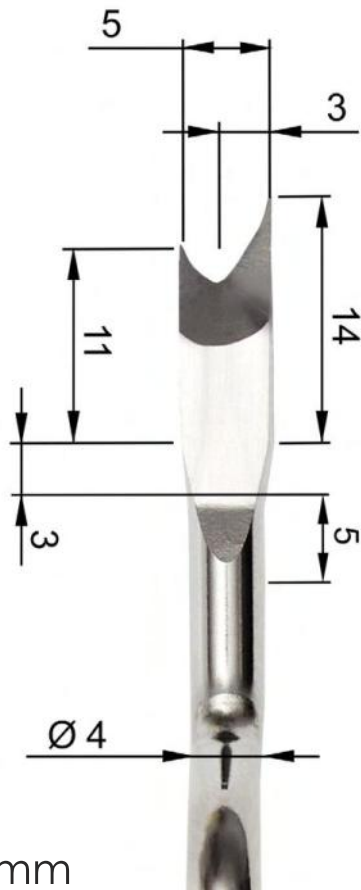
Genoa

For ridge expansions with zero bone subtraction

The tip of the GENOA instruments perfectly engages bone crests. The longer part determines its direction, the shorter part ensures the engagement to the crest. Each pulse advances the instrument by 1 mm. GENOA is the least invasive and safest way to manage thin ridges

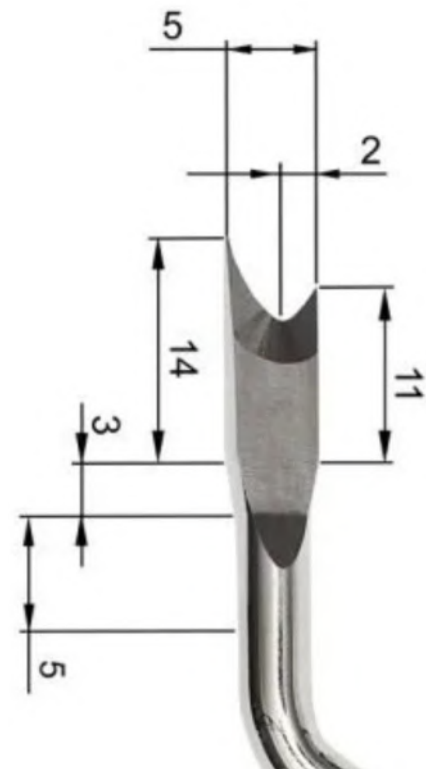


Dimension



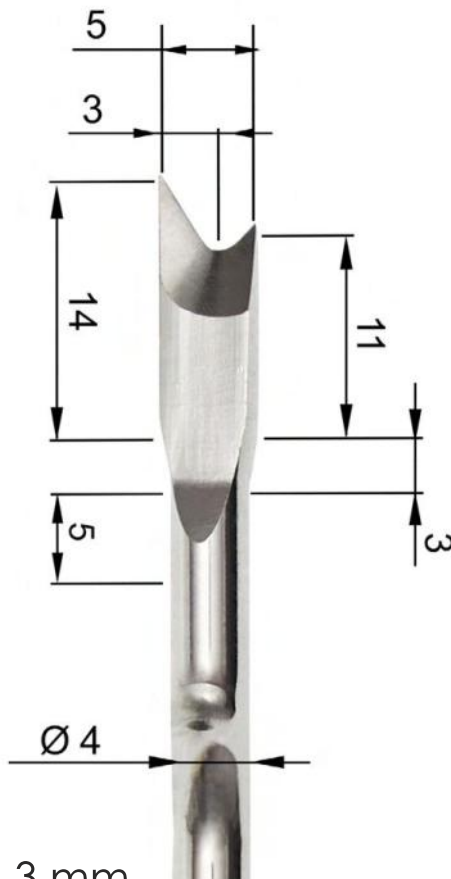
Tip thickness: 2 mm

GENOA 1



GENOA 3

Tip thickness:
from 2.7 mm to 3.3 mm



Tip thickness:
from 2.7 mm to 3.3 mm

GENOA 2

Kit Dynamic Guided standard |

The only osteotomic guided surgery kit in the world



The future of implantology

Ideal kit for guided surgery adaptable to multiple implant lines. Composed of 5 osteotomes, 5 millimetered stops, 1 driver, 2 mounters, and 2 drivers, bushings. Also available in PRO version for the Osseotouch implant line. Curved osteotomes with offset handles suitable for posterior and anterior sectors.



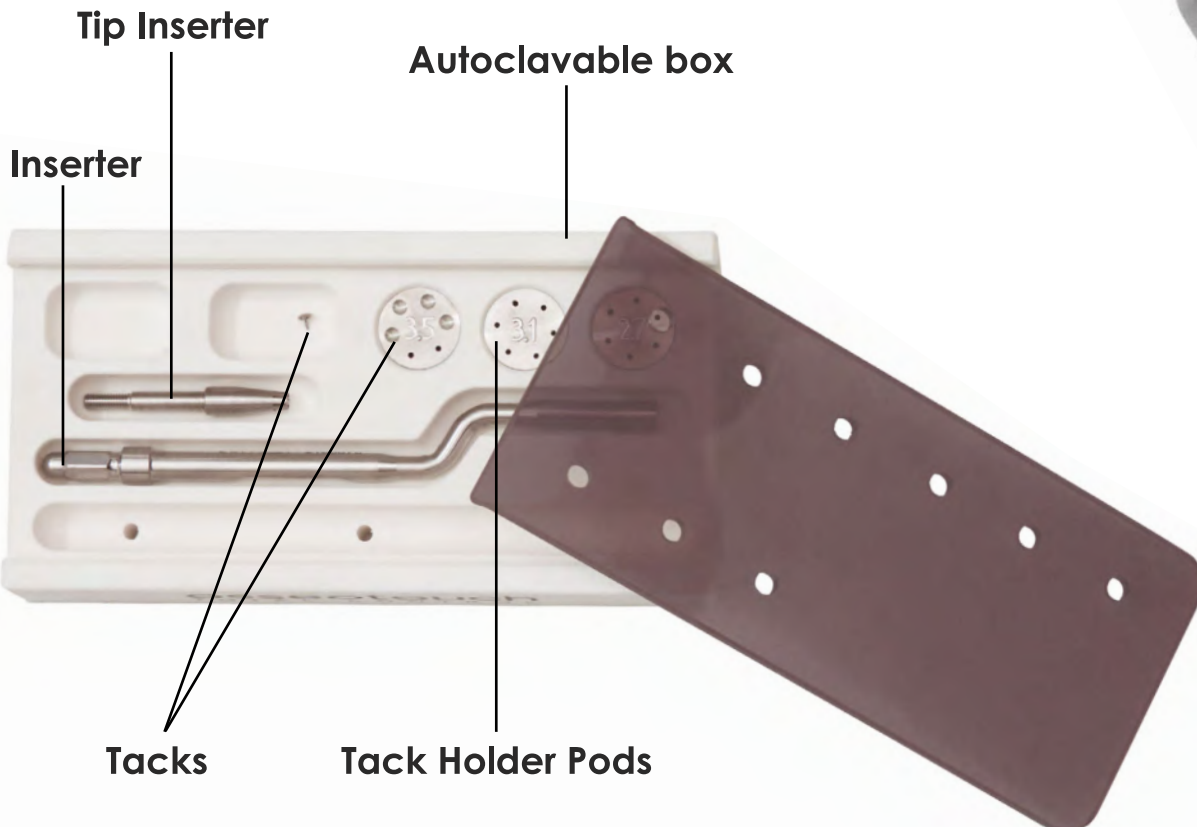
Easy-Pin | Precision and safety

The Easy-Pin allows you to take advantage of the Magnetic Dynamic technology to insert tacks quickly and accurately. The Easy-Pin includes the surgical box, the instrument to be applied to the handpiece and pins available in 3 different lengths.



Tack heights available
2,7 mm - 3,1 mm - 3,5 mm

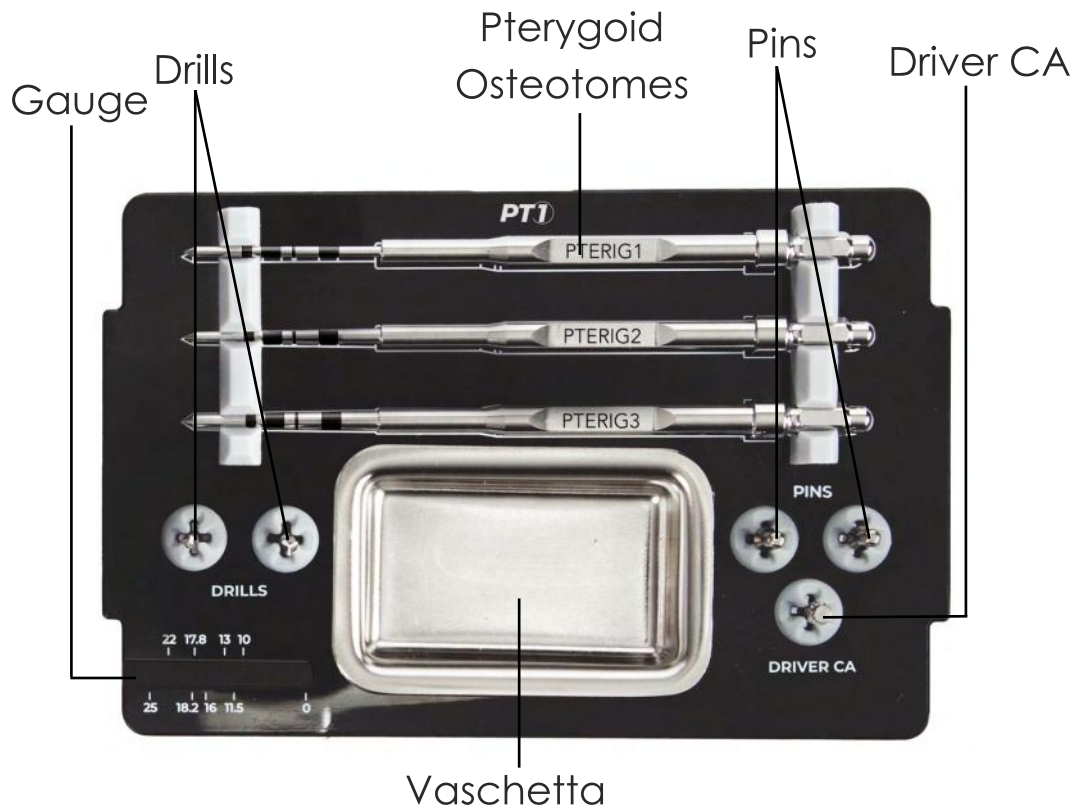
Head: ϕ 2 mm



PT-1 Kit | The first pterygoid implant for Magneto Dynamic technology

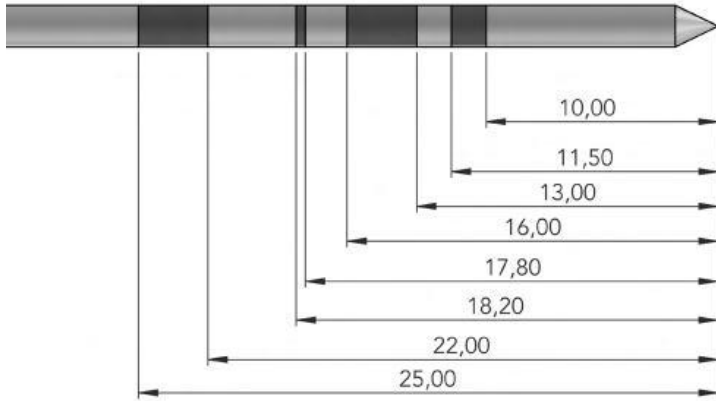
Pterygoid Magneto Dynamic implantology

Kit for pterygoid surgery. Composed of three contra-angle and manual drivers, a torque wrench, two pterygoid drills, two pins. Straight osteotomes.



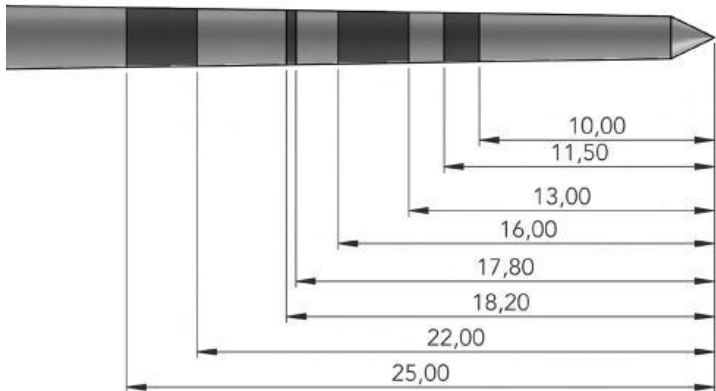
PT-1 Surgical Kit Dimensions

PTERIG 1



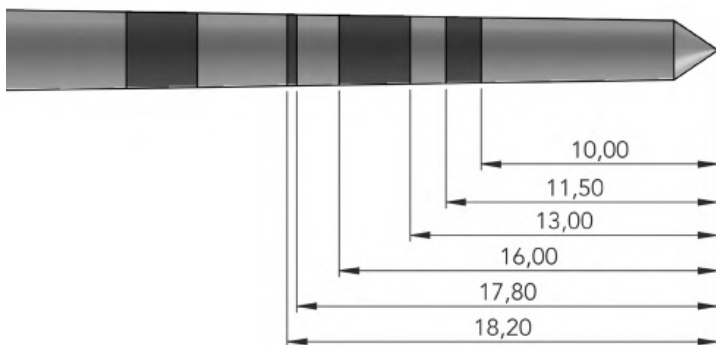
OSTEOTOME	H PROGRESSIVE	Ø
PTERIG 1	11,50	1,80
	18,20	1,80
	22,00	1,80
	25,00	1,80

PTERIG 2



OSTEOTOME	H PROGRESSIVE	Ø
PTERIG 2	11,50	2,06
	18,20	2,32
	22,00	2,44
	25,00	2,53

PTERIG 3



OSTEOTOME	H PROGRESSIVE	Ø
PTERIG 3	11,50	2,80
	18,20	3,02
	22,00	3,14
	25,00	3,23

Crown Remover | Efficient, Fast and Safe

A handpiece that uses the power and control of the Magnetic Dynamic technology to develop a perfectly longitudinal traction that allows you to remove bridges and crowns in a very short time.





WHERE TRUST COMES FIRST



**Warranty Ke Saath Bhi
Warranty Ke Baad Bhi**

For any Sales & Support

 98211-84441, 84483-98852

 sales@unicorndenmart.com

Customer Care

Register Your Complaint with A Missed Call: **7065-558-558**

 011-45551250, 51, 55  97170-12081, 95994 -48518

 care@unicorndenmart.com | care1@unicorndenmart.com

Connect With



Unicorn DenMart



Corporate Office: 3 Local Shopping Centre, MOR Land, Near J Block DDA Market,
New Rajender Nagar, New Delhi □ 110060

    /unicorndenmart.com

* Accessories shown may not be a part of standard equipment. Specifications are subject to change without notice.

Ver 5/2026