



## **B** STORAGE RACKS



**PERTH**  
(08) 9459 8600  
**KALGOORLIE**  
(08) 9021 8300

**ADELAIDE**  
(08) 8231 1513  
**NEWMAN**  
(08) 9175 1164

**DARWIN**  
(08) 8963 5621  
**MT ISA**  
(07) 4743 6458

✉ sales@bendtechgroup.com.au  
🌐 [bendtechgroup.com.au](http://bendtechgroup.com.au)

2-10 Kewdale Road, Welshpool WA 6106



## STORAGE RACKS

# INDEX

<b>PLATE RACKS</b>	<b>///</b>	<b>2 - 4</b>
<b>GENERAL PURPOSE</b>	<b>///</b>	<b>5 - 15</b>
<b>EQUIPMENT STORAGE</b>	<b>///</b>	<b>16 - 20</b>

**PLATE  
RACKS**



Our Flat Plate Steel Storage Rack is used for the storage of steel plates in half sheet and off-cut sizing in workshop or mobile equipment environments.

**CONSTRUCTION**

- Heavy-duty steel
- WLL: 12T
- Height: 3010mm
- Length: 4625mm
- Width: 2525mm
- 4 shelves with easy fork truck access
- Engineered and certified



**FLAT PLATE STEEL STORAGE RACK**

Part No. 5500831

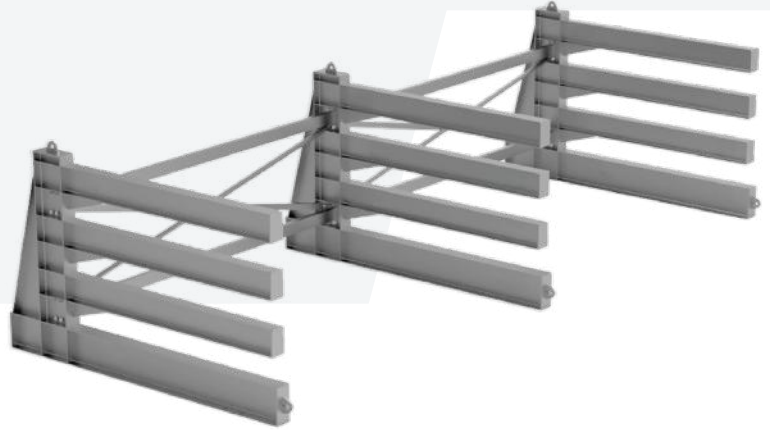
# PLATE RACKS

## HORIZONTAL PLATE STORAGE RACK

Part No. 5000220

### CONSTRUCTION

- Heavy-duty steel
- SWL: 6.5 Tonne per level
- Length: 8000mm
- Width: 3329mm
- Height: 2004mm
- Forklift friendly plate loading
- Modular design for easy transport
- Cantilevered design for optimal space utilisation
- Certified and compliant with Australian Standards

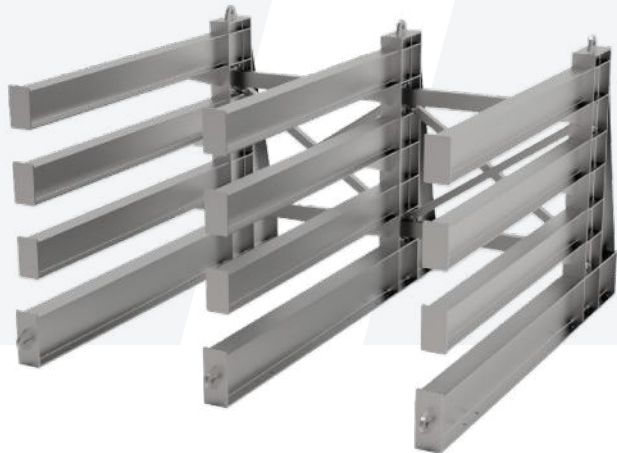


## HORIZONTAL STEEL PLATE RACK

Part No. 5501660

### CONSTRUCTION

- Heavy-duty steel
- WLL: 6.5T per level
- Length: 3000mm
- Width: 3328mm
- Height: 2004mm
- Modular design for easy transport
- Cantilevered design for optimal space utilisation
- Certified and compliant with Australian Standards

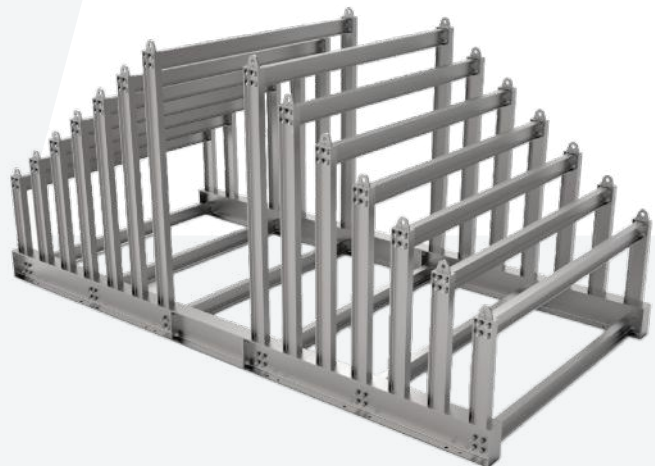


## SLOPING VERTICAL STEEL PLATE RACK

Part No. 5501254

### CONSTRUCTION

- Heavy-duty steel
- WLL: 4.25T per bay
- Length: 5747mm
- Width: 2865mm
- Height: 2617mm
- Modular design for easy transport
- Lifting eyes for easy mobility
- Certified and compliant with Australian Standards



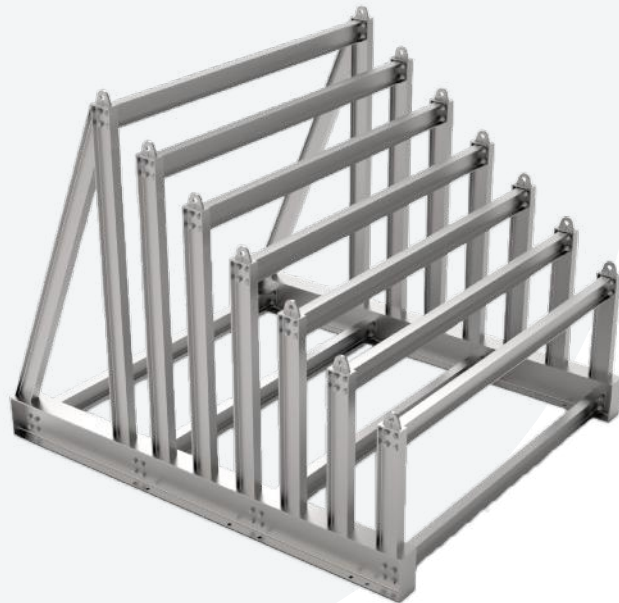
**PLATE  
RACKS**

**HALF SLOPING VERTICAL  
STEEL RACK**

Part No. 5000232

**CONSTRUCTION**

- Heavy-duty steel
- WLL: 4.25T per bay
- Length: 3325mm
- Width: 2865mm
- Height: 2650mm
- Modular design for easy transport
- Lifting eyes for easy mobility
- Certified and compliant with Australian Standards



**VERTICAL STORAGE  
RACK, STEEL PLATE**

Part No. 5500758

**CONSTRUCTION**

- Heavy-duty steel
- WLL: 8.5T per bay
- Length: 8175mm
- Width: 2423mm
- Height: 2617mm
- Modular design for easy transport
- Lifting eyes for easy mobility
- Certified and compliant with Australian Standards



# GENERAL PURPOSE

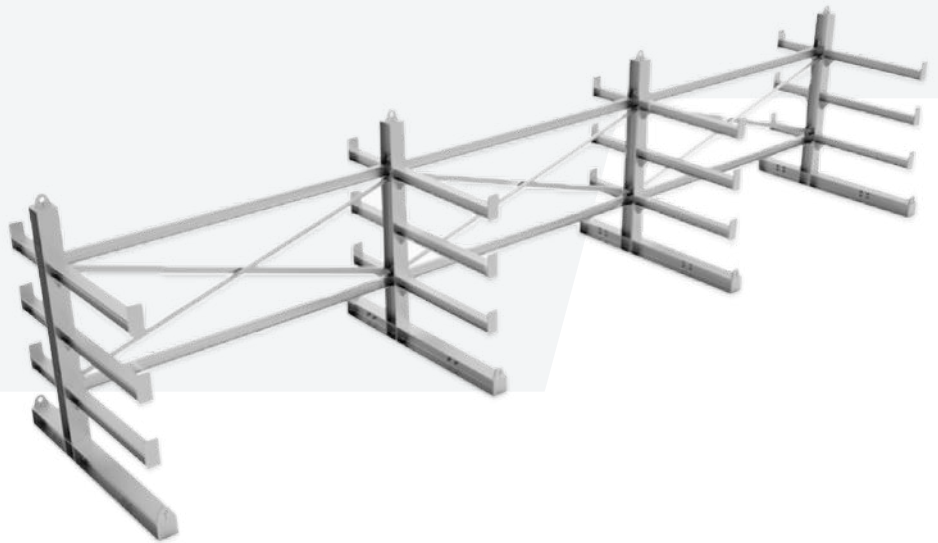
## GENERAL PURPOSE STEEL RACK – LARGE

Part No.

6m – 5000222

7.5m – 5000221

9m – 5000219

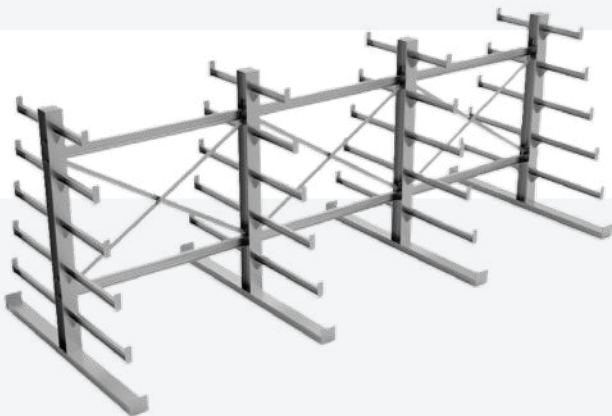


### CONSTRUCTION

- Heavy-duty steel
- WLL: 3 Tonne per shelf
- Length: 6m, 7.5m & 9m
- Width: 2048mm
- Height: 2000mm
- Modular design for easy transport
- Fitted with lifting eyes for easy mobility
- Cantilevered design for optimal space utilisation
- Certified and compliant with Australian Standards

## STEEL FREE STANDING STORAGE RACK

Part No. 5003285

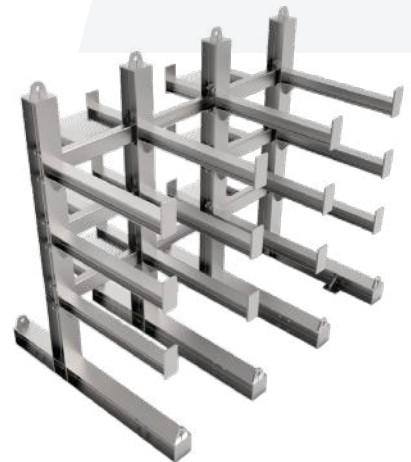


### CONSTRUCTION

- Heavy-duty steel
- SWL: 4.8 Tonne Capacity or 400kg per shelf
- Length: 6000mm
- Width: 2400mm
- Height: 2250mm
- Fitted with lifting eyes for easy mobility
- Fitted with 12 shelves (6 either side)

## GENERAL PURPOSE STEEL RACK – SMALL

Part No. 5501168



### CONSTRUCTION

- Heavy-duty steel
- WLL: 3T per shelf
- Length: 2500mm
- Width: 1852mm
- Height: 2144mm
- Modular design for easy transport
- Fitted with lifting eyes for easy mobility

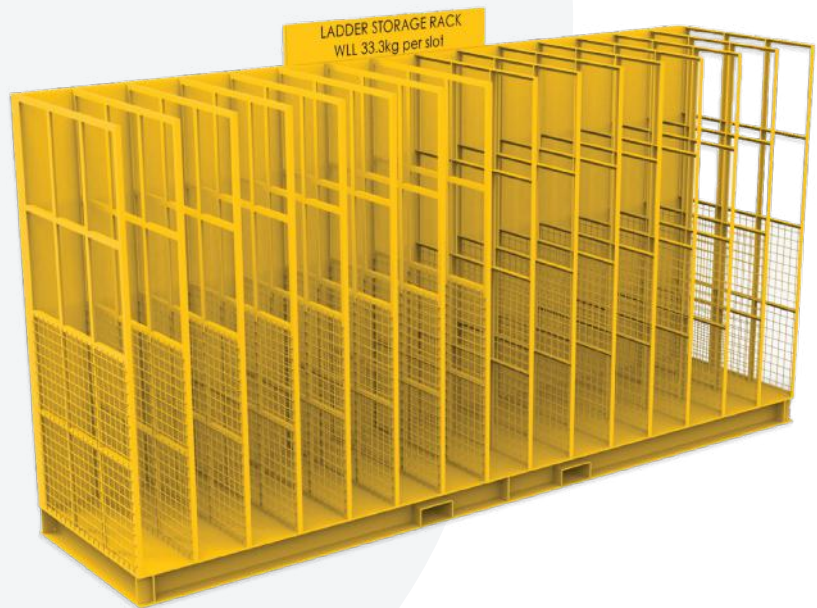
**GENERAL PURPOSE**



A heavy-duty rack designed and engineered for the safe and efficient storage of ladders and work platforms. Fitted with forklift slots for ease of movement and storage.

**CONSTRUCTION**

- Heavy-duty steel
- WLL: 500kg
- Length: 4150mm
- Width: 1050mm
- Height: 2263mm
- Engineered and certified



**LADDER STORAGE RACK**  
Part No. 5503307

## GENERAL PURPOSE

### LADDER STORAGE RACK 7 SLOT

Part No. 5505747

#### CONSTRUCTION

- Heavy-duty steel
- WLL: 33kg per slot
- Length: 1958mm
- Width: 1050mm
- Height: 2350mm
- 7 individual storage slots
- Fitted with forklift slots
- Finished in Y-14 safety yellow

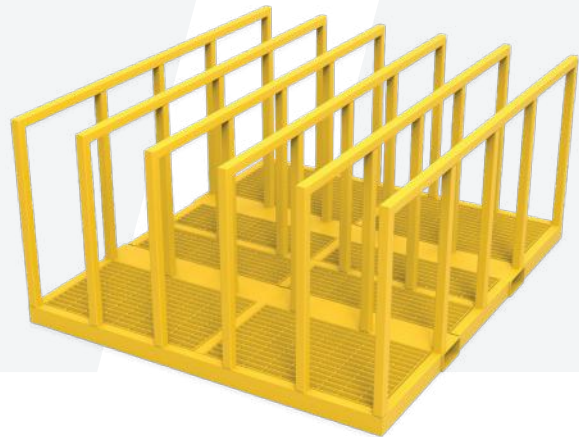


### MOBILE STEEL PLATE RACK

Part No. 5501647

#### CONSTRUCTION

- Heavy-duty steel
- WLL: 500kg
- Length: 2000mm
- Width: 2300mm
- Height: 1000mm
- Fitted with forklift slots
- Certified and compliant with Australian Standards



### STEEL CHAIN RACK

Part No. 5501752

#### CONSTRUCTION

- Heavy-duty steel
- WLL: 100kg per hook on outside of frame
- WLL: 200kg per hook on other location
- Length: 1500mm
- Width: 2000mm
- Height: 1450mm
- Fitted with forklift slots & lifting lugs
- Certified and compliant with Australian Standards



## GENERAL PURPOSE

### EXTRA HEAVY DUTY VERTICAL PLATE STORAGE RACK

Part No. 5503023

#### CONSTRUCTION

- Heavy-duty steel
- WLL: 42T (6T per bay)
- Length: 4090mm
- Width: 2865mm
- Height: 1500mm
- 7 bays
- Forklift friendly
- Fitted with lifting eyes for ease of transport

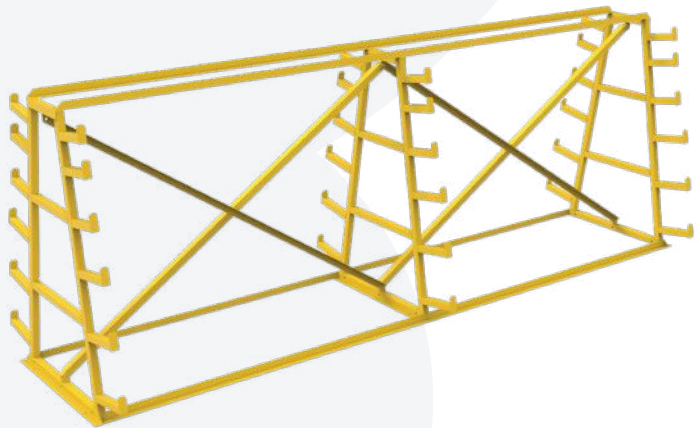


### LIGHTWEIGHT STEEL RACK

Part No. 5501352

#### CONSTRUCTION

- Heavy-duty steel
- WLL: 180kg per shelf
- Length: 5080mm
- Width: 1110mm
- Height: 1855mm
- Designed to store pipework and steel sections
- Certified and compliant with Australian Standards



### DRILL ROD RACK

Part No. 5501719

#### CONSTRUCTION

- Heavy-duty steel
- WLL: 1T per shelf
- Length: 1784mm
- Width: 2600mm
- Height: 2525mm
- 5 shelves
- Cantilevered to maximise space utilisation
- Modular design for easy transport and assembly



## GENERAL PURPOSE

### FREESTANDING CHAIN RACK

Part No. 5501441

#### CONSTRUCTION

- Heavy-duty steel
- WLL: 50kg per hanger
- Certified and compliant with Australian Standards



### SHEET STORAGE RACK

Part No. 5502120

#### CONSTRUCTION

- Heavy-duty steel
- WLL: 300kg per shelf
- Length: 2800mm
- Width: 1472mm
- Height: 1700mm
- Fitted with forklift slots and lifting eyes
- Certified and compliant with Australian Standards



### ELECTRICAL EQUIPMENT STORAGE RACK

Part No. 5502091

#### CONSTRUCTION

- Heavy-duty steel
- WLL: 400kg per level
- Fitted with forklift slots
- Finished in Y-14 safety yellow
- Certified and compliant with Australian Standards



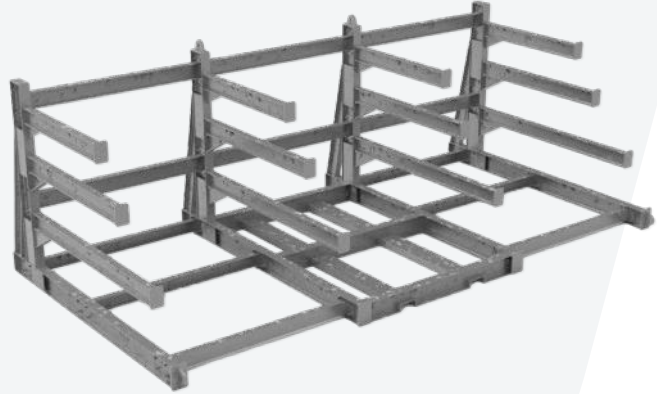
**GENERAL  
PURPOSE**

**FLEXIBLE SHEETING AND  
GRIDMESH STORAGE RACK**

Part No. 5502251

**CONSTRUCTION**

- Heavy-duty steel
- WLL: 3T per shelf
- Length: 5850mm
- Width: 3220mm
- Height: 2080mm
- Fitted with lifting lugs
- Forklift friendly for plate loading
- Cantilevered for optimum space utilization
- Heavy-duty hot dip galvanised finish



**GENERAL WORKSHOP  
STORAGE RACK**

Part No. 5412138

**CONSTRUCTION**

- Heavy-duty steel
- WLL: 250kg per shelf
- Length: 2200mm
- Width: 1000mm
- Height: 1795mm
- Wheel chock storage compartment
- Certified and compliant with Australian Standards



**CABLE DRUM STAND**

Part No. 5501144

**CONSTRUCTION**

- Heavy-duty steel
- WLL: 3T
- Length: 1800mm
- Width: 1600mm
- Height: 1460mm
- Fitted with forklift slots
- Finished in Y-14 safety yellow
- Certified and compliant with Australian Standards



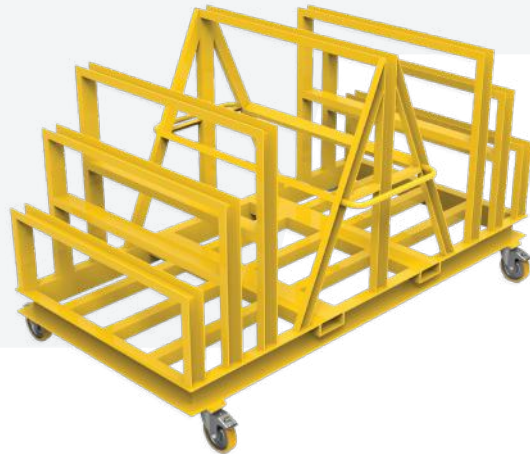
## GENERAL PURPOSE

### STEEL PLATE RACK ON WHEELS

Part No. 5502344

#### CONSTRUCTION

- Heavy-duty steel
- WLL: 3T
- Length: 2900mm
- Width: 1565mm
- Height: 1510mm
- Fitted with high quality German made Caster Wheels



### BIN STORAGE FRAME

Part No. 5503506

#### CONSTRUCTION

- Heavy-duty steel
- Labelling
- Provision for bolting to ground



### ROTOR BLADE STORAGE RACK

Part No. 5504171

#### CONSTRUCTION

- Heavy-duty steel
- Finished in Safety Yellow
- Fitted with heavy-duty lockable castors
- Certified and compliant with Australian Standards



**GENERAL  
PURPOSE**

**STEEL PIPE  
STORAGE RACK – SMALL**  
Part No. 5502817

**CONSTRUCTION**

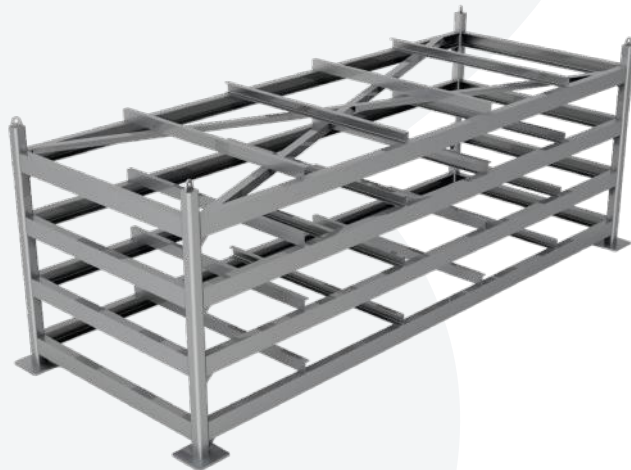
- Heavy-duty steel
- WLL: 400kg per shelf
- Length: 5808mm
- Height: 1200mm
- Free standing
- Fitted with forklift slots
- Finished in Y-14 safety yellow



**FLAT PLATE STEEL  
STORAGE RACK – LONG**  
Part No. 5503197

**CONSTRUCTION**

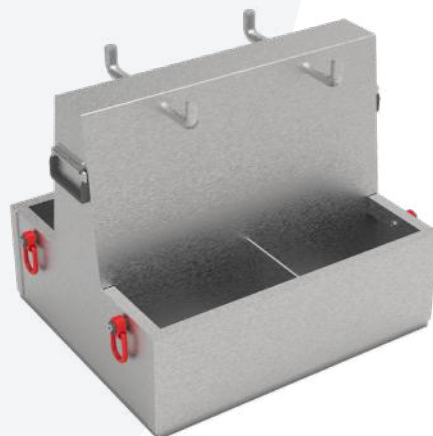
- Heavy-duty steel
- WLL: 4T per shelf
- Length: 5500mm
- Width: 2100mm
- Height: 2075mm
- 4 shelves with easy forklift access
- Certified and compliant with Australian Standards



**ALUMINIUM CHAIN RACK**  
Part No. 5001978

**CONSTRUCTION**

- Heavy-duty aluminium
- Length: 700mm
- Width: 600mm
- Height: 600mm
- Completely TIG welded
- Fitted with 4x lifting lugs
- Fitted with handles on each end



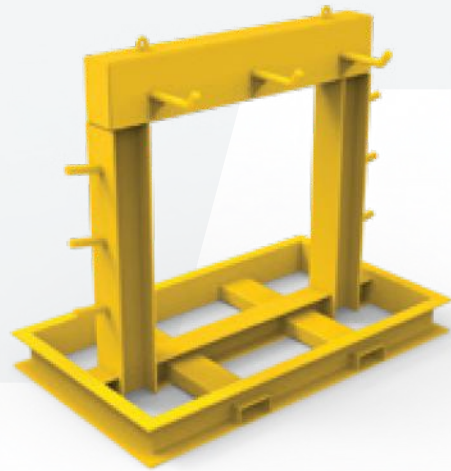
## GENERAL PURPOSE

### TRAY ROPES STORAGE RACK

Part No. 5502714

#### CONSTRUCTION

- Heavy-duty steel
- WLL: 250kg per arm
- Finished in Y-14 safety yellow
- Fitted with forklift slots & lifting lugs
- Certified and compliant with Australian Standards

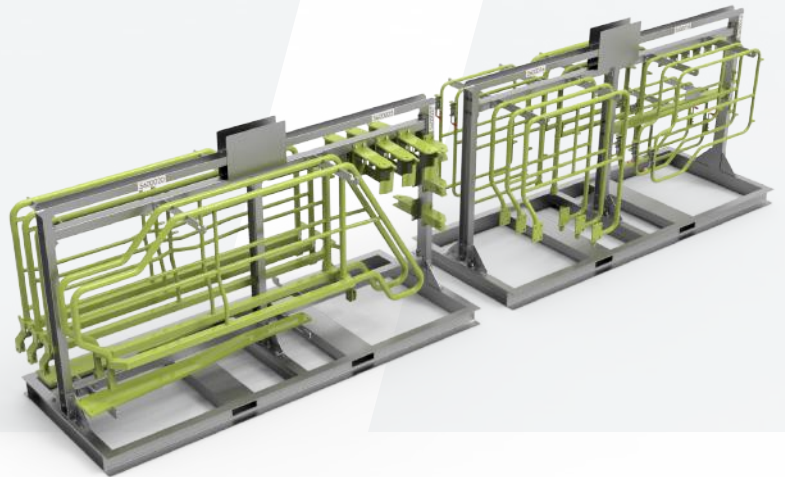


### SANDVIK LH621 HYDRAULIC HANDRAIL STORAGE RACK

Part No. 5503036

#### CONSTRUCTION

- Heavy-duty steel
- Length: 2800mm
- Width: 1100mm
- Height: 1475mm
- Forklift slots for ease of transport
- Heavy-duty hot dip galvanised finish
- Includes both racks that work together in a set

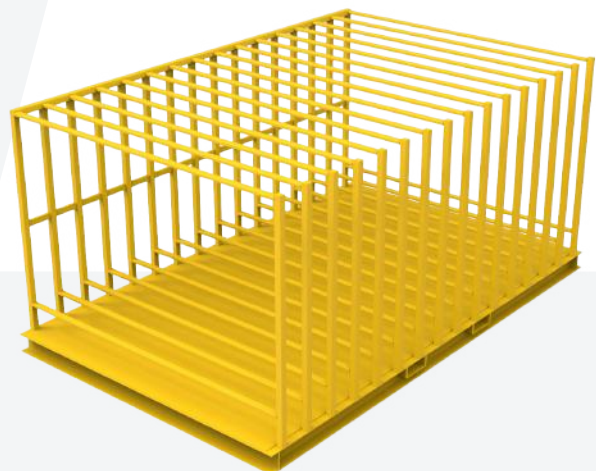


### TARGET STORAGE RACK

Part No. 5504072

#### CONSTRUCTION

- Heavy-duty steel
- WLL: 2T
- Fitted with forklift slots
- Finished in Y-14 safety yellow
- Certified and compliant with Australian Standards



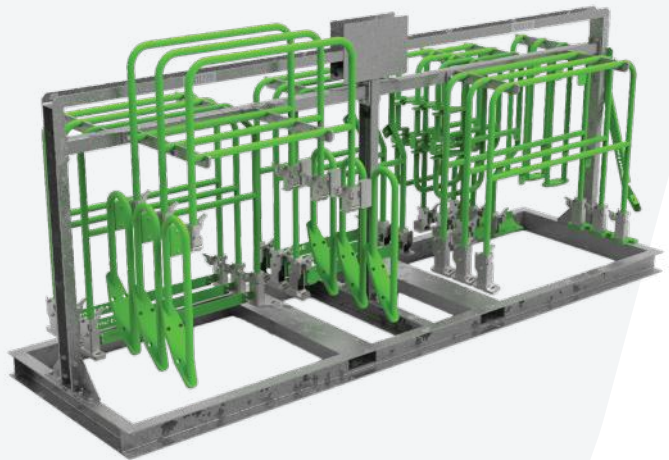
**GENERAL  
PURPOSE**

**CATERPILLAR 1700  
HANDRAIL STORAGE RACK**

Part No. 5504255

**CONSTRUCTION**

- Heavy-duty steel
- Length: 3600mm
- Width: 1100mm
- Height: 1475mm
- Forklift slots for ease of transport
- Heavy-duty hot dip galvanised finish
- All required signage incorporated

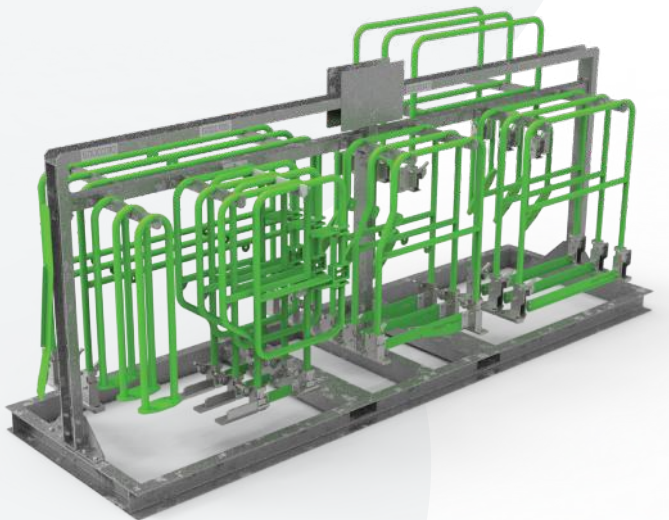


**CATERPILLAR 2900  
HANDRAIL STORAGE RACK**

Part No. 5502944

**CONSTRUCTION**

- Heavy-duty steel
- Length: 3600mm
- Width: 1100mm
- Height: 1475mm
- Forklift slots for ease of transport
- Heavy-duty hot dip galvanised finish
- All required signage incorporated

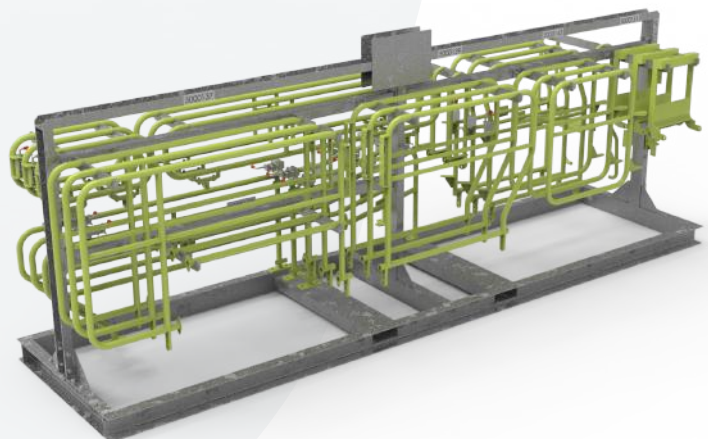


**SANDVIK TH663  
HANDRAIL STORAGE RACK**

Part No. 5502978

**CONSTRUCTION**

- Heavy-duty steel
- Length: 4300mm
- Width: 1100mm
- Height: 1475mm
- Forklift slots for ease of transport
- Heavy-duty hot dip galvanised finish
- All required signage incorporated



# GENERAL PURPOSE

## UNDERGROUND DRILL ROD RACK

Part No. 5506906

### CONSTRUCTION

- Heavy-duty steel
- WLL: 50kg per arm (top shelf) / 60kg per arm (bottom 3 shelves)
- Length: 1500mm
- Width: 1667mm
- Height: 1310mm
- 8 shelves
- Certified and compliant with Australian Standards



## IBC STORAGE RACK

Part No. 5505784

### CONSTRUCTION

- Heavy-duty steel
- WLL: 2T
- Length: 2465mm
- Width: 1266mm
- Height: 1620mm
- Locating angle for IBCs
- Fitted with forklift slots and lifting lugs



## DRILL HAMMER STORAGE RACK

Part No. 5500867

### CONSTRUCTION

- Heavy-duty steel
- WLL: 720kg
- Length: 1350mm
- Width: 534mm
- Height: 1000mm
- Chain restraints for drill hammers
- Certified and compliant with Australian Standards



EQUIPMENT  
STORAGE



A Lifting Chain Storage Rack designed and engineered for safe, efficient and easy maintenance. Certified and compliant with Australian Standards.

**CONSTRUCTION**

- Heavy-duty steel
- WLL: 200kg per arm (2T total)
- Length: 2000mm
- Width: 1000mm
- Height: 1670mm
- Certified and compliant with Australian Standards



**LIFTING CHAIN STORAGE RACK**  
Part No. 5502174

## EQUIPMENT STORAGE

### MOBILE CHAIN RACK

Part No. 5504706

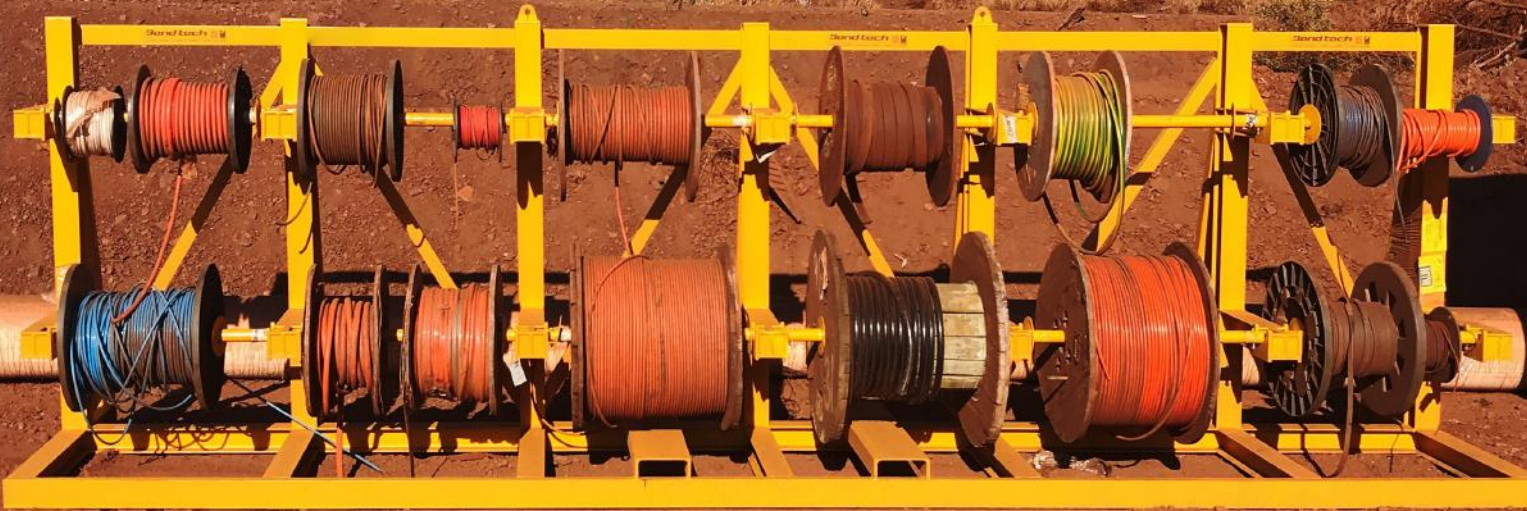
#### CONSTRUCTION

- Heavy-duty steel
- WLL: 1T
- Length: 3400mm
- Width: 1300mm
- Height: 1600mm
- German made caster wheels
- Compartments for different sized chains



“ **MAKING MAINTENANCE  
ON-SITE SAFE, EFFICIENT  
AND EASY** ”

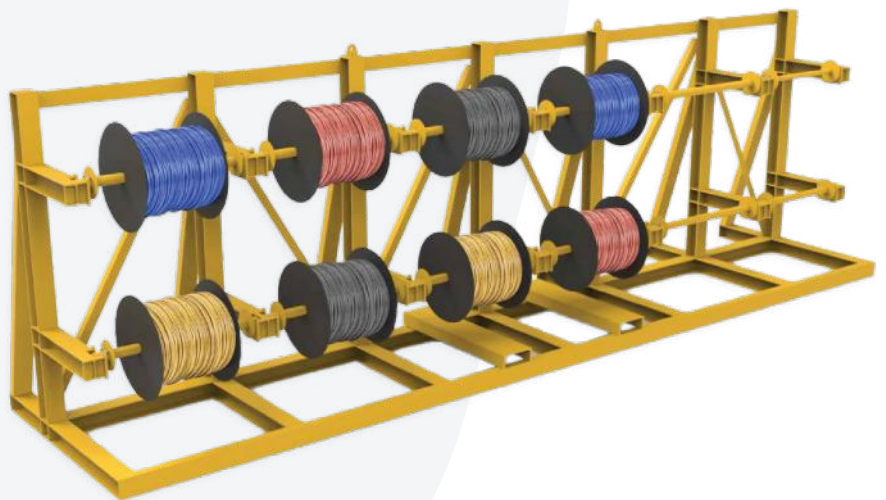
**EQUIPMENT  
STORAGE**



Certified and compliant electrical cable racking designed and engineered for safe, efficient and easy maintenance on-site.

**CONSTRUCTION**

- Heavy-duty steel
- Length: 5500mm
- Width: 1300mm
- Height: 1708mm
- 300kg WLL Top Horizontal Bar
- 600kg WLL Bottom Horizontal Bar
- Fitted with forklift pockets for easy mobility



**ELECTRICAL CABLE RACKING**

Part No. 5502253

# EQUIPMENT STORAGE

## STEEL PIPE STORAGE RACK

Part No. 5502089

### CONSTRUCTION

- Heavy-duty steel
- WLL: 400Kg per level
- Length: 5820mm
- Width: 1895mm
- Height: 1680mm
- Free standing, eliminating the need to bolt to the ground
- Certified and compliant with Australian Standards



## MOBILE STORAGE SIGN RACK

Part No. 5413086

### CONSTRUCTION

- Heavy-duty steel
- WLL: 500kg
- Length: 1200mm
- Width: 1200mm
- Height: 850mm
- Compact design for back of ute transport
- Certified and compliant with Australian Standards



## BORE PUMP CRADLE FRAME

Part No. 5501688

### CONSTRUCTION

- Heavy-duty steel
- WLL: 1T per level
- Length: 5500mm
- Width: 1200mm
- Height: 2400mm
- On-sided Steel Storage rack
- Certified and compliant with Australian Standards



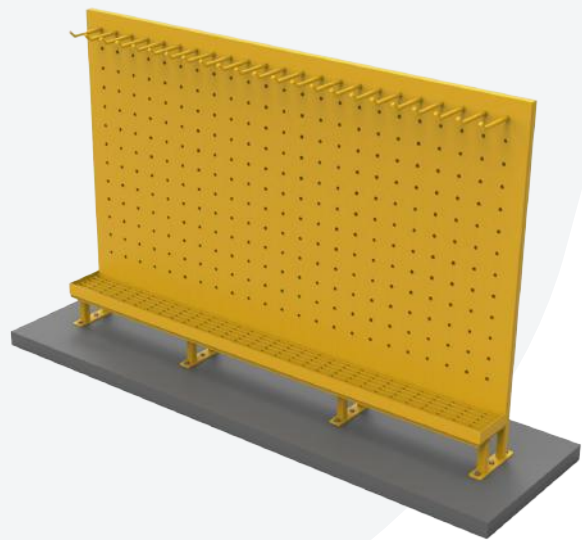
## EQUIPMENT STORAGE

### SLING AND CHAIN STORAGE BOARD

Part No. 5506961

#### CONSTRUCTION

- Heavy-duty steel
- WLL: 50kg per hook / 1150kg total
- Length: 3025mm
- Width: 380mm
- Height: 2000mm
- Bolts to floor
- Fully customisable height and location of hanging hooks.

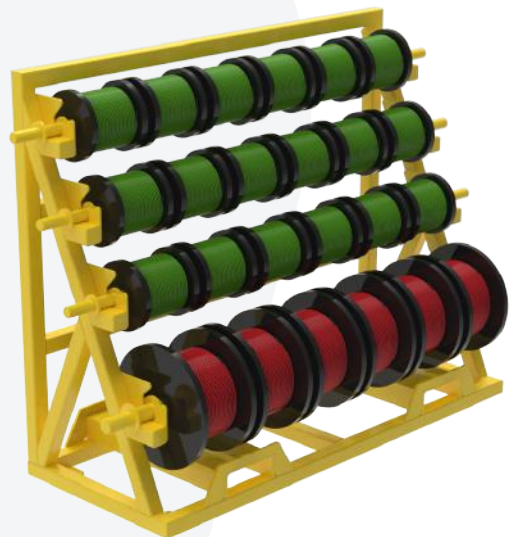


### ELECTRICAL CABLE RACKING

Part No. 5503690

#### CONSTRUCTION

- Heavy-duty steel
- WLL: 600kg total
- Length: 1706mm
- Width: 1200mm
- Height: 1200mm
- Finished in Y-14 safety yellow
- Fitted with forklift pockets for easy mobility



# TAKE NOTE



**B** BIGGER THAN BUSINESS

# TAKE NOTE

