

The logo for DURASA design features a yellow square icon with a white outline on the left. To its right, the word "DURASA" is written in a bold, white, sans-serif font with a registered trademark symbol (®) at the top right. Below "DURASA", the word "design" is written in a smaller, white, lowercase sans-serif font.

DURASA[®]
design

The text "PRODUCT CATALOG 2024" is displayed in a white, sans-serif font. "PRODUCT" is on the top line, "CATALOG" is on the second line in a larger font size, and "2024" is on the third line, positioned to the right of "CATALOG".

PRODUCT
CATALOG
2024

MISSION

To impact people by creating technological, agile, and sustainable solutions for construction and furniture, enabling freedom and versatility in construction and personalization and innovation in piece design.

VALUES

Identity
Design
Flexibility
Agility
Precision
Innovation
Sustainability
Conscious Future

VISION

To stand out in the global market by creating residential, commercial, and industrial solutions for an efficient, sustainable, and sophisticated future.

MOTIVATES

The possibility of conveying an **identity** through product **design** and project **flexibility** sparked interest in developing an **agile** and **precise** manufacturing process, with the creation and application of unique **innovative** solutions. Additionally, responsibility towards **sustainability** is emphasized by optimizing processes and consuming materials **consciously**.



Visit our channel
and watch the institutional video.



Building the future in steel!



☐ GOURMET FAMILY 05

Grill Line 07

Chroma Conjugated 09

Chroma Tech Side 11

Unique Grill 13

Unique Skewer 15

Accessory 19

Brazier 21

Parrilla Line 25

Chroma P25 Side Firebox 27

Chroma P25 Central Firebox 29

Portable Chroma P20 33

Portable Carbon 35

Accessory 39

Hood Line 41

Cube 43

Slim..... 45

Portable Line 47

Portable Grill 49

Gourmet Module 53

Portable Station 57

☐ LIVING FAMILY 59

Fireplace Line 61

Suspended Orbit 63

Gas-Flame 65

Eco-Flame 67

Eco-Square 69

Eco-Circle 71

Fire Pit 75

☐ OUT FAMILY 77

Structures Line 79

Pergola 81



// GOURMET
FAMILY

The Gourmet Family by DURASA provides a complete solution for your space, with products such as grills, braziers, parrilla, range hoods, external finishes, and automation, always with quality and precision.



// GRILL



GOURMET
FAMILY

GRILL
LINE



MODEL
CHROMA CONJUGATED



5 SKEWERS | 43cm GRILL
(5S/43G)



7 SKEWERS | 54cm GRILL
(7S/54G)



9 SKEWERS | 66cm GRILL
(9S/66G)



11 SKEWERS | 77cm GRILL
(11S/77G)

CONF. INCLUDED IN THE DELIVERY OF THIS EQUIPMENT

5S/43G	03 TWO-PRONG SKEWERS + 02 THREE-PRONG SKEWERS + 01 URUGUAYAN GRILL 43CM + 01 RESTING URUGUAYAN GRILL 43CM
7S/54G	04 TWO-PRONG SKEWERS + 03 THREE-PRONG SKEWERS + 01 URUGUAYAN GRILL 54CM + 01 RESTING URUGUAYAN GRILL 54CM
9S/66G	05 TWO-PRONG SKEWERS + 04 THREE-PRONG SKEWERS + 01 URUGUAYAN GRILL 66CM + 01 RESTING URUGUAYAN GRILL 66CM
11S/77G	06 TWO-PRONG SKEWERS + 05 THREE-PRONG SKEWERS + 01 URUGUAYAN GRILL 77CM + 01 RESTING URUGUAYAN GRILL 77CM

The Chroma Conjugated Grill **integrates grill and skewer systems into the same product.**

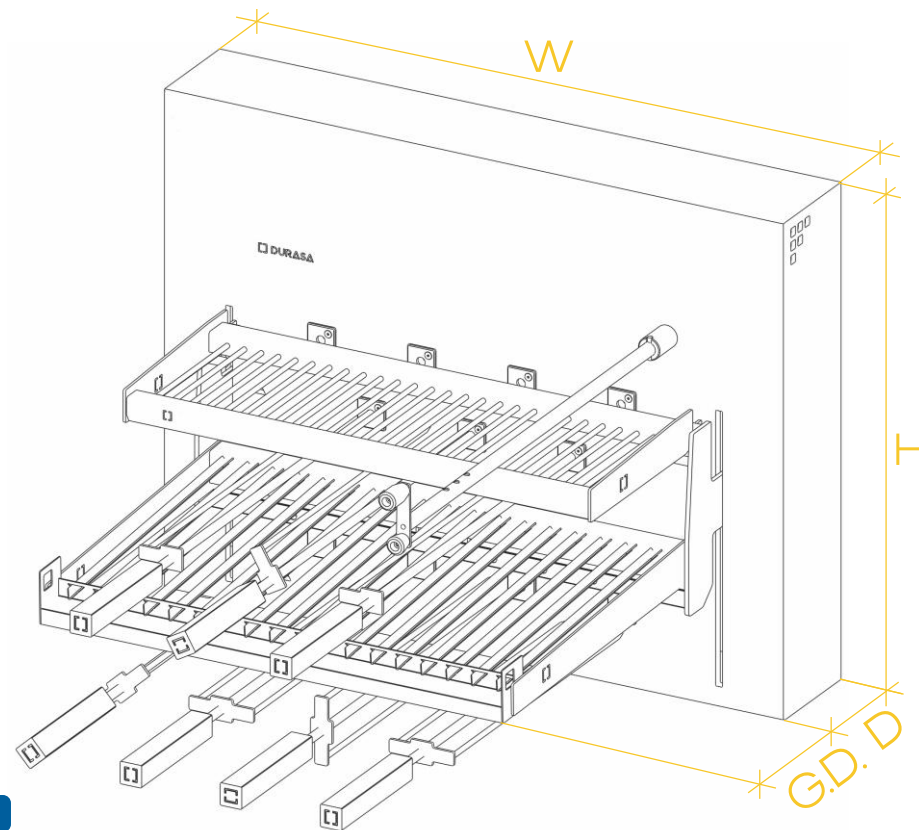
The secret to its operation lies in the **anti-slip and anti-fall system** of the suspended skewer (patented item). Through it, meats of different weights will cook evenly, **always rotating at a constant and uninterrupted speed**, with its operation being performed directly on the machine by the skewer tip. Another standout feature is the **gears of the rotating system**, made of naval aluminum and high-temperature polymer plastic, **eliminating noise** during operation.

A significant feature is its functionality, combining technology with the grilling experience, making the process more convenient and efficient. **Depending on the chosen activation**, it can feature an automated system for lifting the grills and rotating the skewers, with **controls via remote control, app + LCD panel, crank + dimmer, or crank + touch panel.**

The entire grill is made of **304 stainless steel**, known for its excellent physical and mechanical properties, as well as exceptional resistance to high temperatures, salinity, and weathering, making it the perfect combination of durability, strength, and elegance.

Other DURASA products can also be added to enhance the aesthetics and functionality of the environment, such as the **brazier, which can be incorporated into MDF furniture, the range hood with exhaust, inertial filter, and lighting, among others.**

The length (W) of the machine's front finish can be customized.



WATCH THE VIDEO
OF THIS MODEL





















Access our profile at the link below
and download the desired model.

 3D Warehouse

3dwarehouse.sketchup.com/by/durasadesign

For product identification, use COD. + DEPTH (G. D.) and ACTIVATION. Example: 02.02.00626 and 02.02.00768

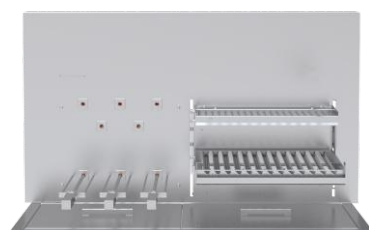
MODEL	W	H	D	COD.	GRILL DEPTH (G. D.)			EQUIPMENT ACTIVATION			
					40cm	45cm	50cm				
GR. CHROMA CONJUGATED 5S/43G	61cm	60cm	13cm	02.02.	00626	00627	00628				
GR. CHROMA CONJUGATED 7S/54G	73cm	60cm	13cm	02.02.	00629	00630	00631				
GR. CHROMA CONJUGATED 9S/66G	85cm	60cm	13cm	02.02.	00632	00633	00634				
GR. CHROMA CONJUGATED 11S/77G	97cm	60cm	13cm	02.02.	00635	00636	00637				

GOURMET
FAMILY

GRILL
LINE



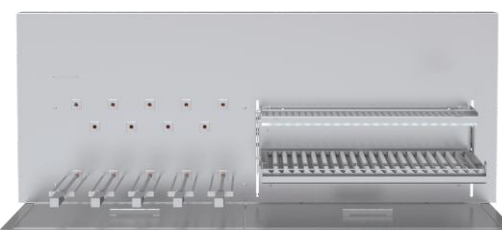
MODEL
CHROMA TECH SIDE



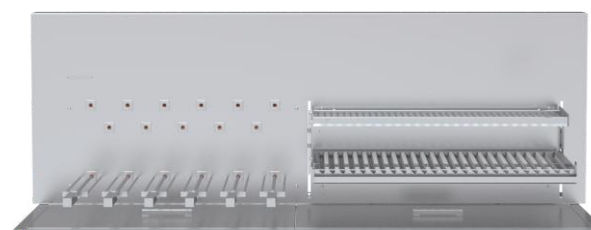
5 SWEKERS | 43cm GRILL
(5S/43G)



7 SWEKERS | 54cm GRILL
(7S/54G)



9 SWEKERS | 66cm GRILL
(9S/66G)



11 SWEKERS | 77cm GRILL
(11S/77G)

CONF.	INCLUDED IN THE DELIVERY OF THIS EQUIPMENT
5S/43G	03 TWO-PRONG SKEWERS + 02 THREE-PRONG SKEWERS + 01 URUGUAYAN GRILL 43CM + 01 RESTING URUGUAYAN GRILL 43CM
7S/54G	04 TWO-PRONG SKEWERS + 03 THREE-PRONG SKEWERS + 01 URUGUAYAN GRILL 54CM + 01 RESTING URUGUAYAN GRILL 54CM
9S/66G	05 TWO-PRONG SKEWERS + 04 THREE-PRONG SKEWERS + 01 URUGUAYAN GRILL 66CM + 01 RESTING URUGUAYAN GRILL 66CM
11S/77G	06 TWO-PRONG SKEWERS + 05 THREE-PRONG SKEWERS + 01 URUGUAYAN GRILL 77CM + 01 RESTING URUGUAYAN GRILL 77CM

The Chroma Tech Side Grill model **integrates skewers on one side and grills on the other.**

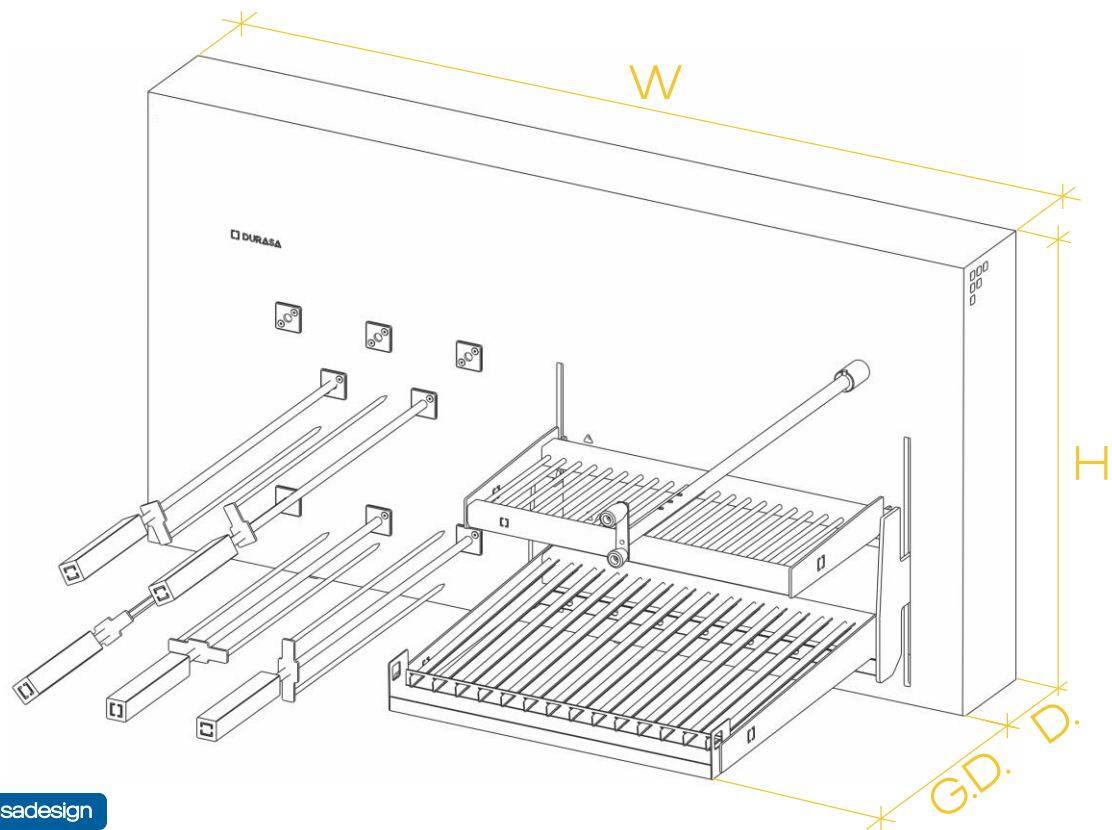
The secret to its operation lies in the **anti-slip and anti-fall system** of the suspended skewer (patented item). Through it, meats of different weights will cook evenly, **always rotating at a constant and uninterrupted speed**, with its operation being performed directly on the machine by the skewer tip. Another standout feature is the **gears of the rotating system**, made of naval aluminum and high-temperature polymer plastic, **eliminating noise** during operation.

A significant feature is its functionality, combining technology with the grilling experience, making the process more convenient and efficient. **Depending on the chosen activation**, it can feature an automated system for lifting the grills and rotating the skewers, with **controls via remote control, app + LCD panel, crank + dimmer, or crank + touch panel.**

The entire grill is made of **304 stainless steel**, known for its excellent physical and mechanical properties, as well as exceptional resistance to high temperatures, salinity, and weathering, making it the perfect combination of durability, strength, and elegance.

Other DURASA products can also be added to enhance the aesthetics and functionality of the environment, such as the **brazier, which can be incorporated into MDF furniture, the range hood with exhaust, inertial filter, and lighting, among others.**

The length (W) of the machine's front finish can be customized.



WATCH THE VIDEO
OF THIS MODEL











Access our profile at the link below
and download the desired model.

 3D Warehouse

3dwarehouse.sketchup.com/by/durasadesign

For product identification, use COD. + DEPTH (G. D.) and ACTIVATION.

Example: 02.02.00638 and 02.02.00768

MODEL	W	H	D	COD.	GRILL DEPTH (G. D.)			EQUIPMENT ACTIVATION			
					40cm	45cm	50cm				
GR. CHROMA TECH SIDE 5S/43G	105cm	60cm	13cm	02.02.	00638	00639	00640				
GR. CHROMA TECH SIDE 7S/54G	129cm	60cm	13cm	02.02.	00642	00644	00645				
GR. CHROMA TECH SIDE 9S/66G	151cm	60cm	13cm	02.02.	00646	00037	00186				
GR. CHROMA TECH SIDE 11S/77G	175cm	60cm	13cm	02.02.	00196	00200	00201	02.02.00768	02.02.00769	02.02.00770	02.02.00774

GOURMET
FAMILY

GRILL
LINE



MODEL
// UNIQUE GRILL



43cm GRILL
(43G)



54cm GRILL
(54G)



66cm GRILL
(66G)



77cm GRILL
(77G)

CONF.	INCLUDED IN THE DELIVERY OF THIS EQUIPMENT
43G	01 URUGUAYAN GRILL 43CM + 01 RESTING URUGUAYAN GRILL 43CM
54G	01 URUGUAYAN GRILL 54CM + 01 RESTING URUGUAYAN GRILL 54CM
66G	01 URUGUAYAN GRILL 66CM + 01 RESTING URUGUAYAN GRILL 66CM
77G	01 URUGUAYAN GRILL 77CM + 01 RESTING URUGUAYAN GRILL 77CM

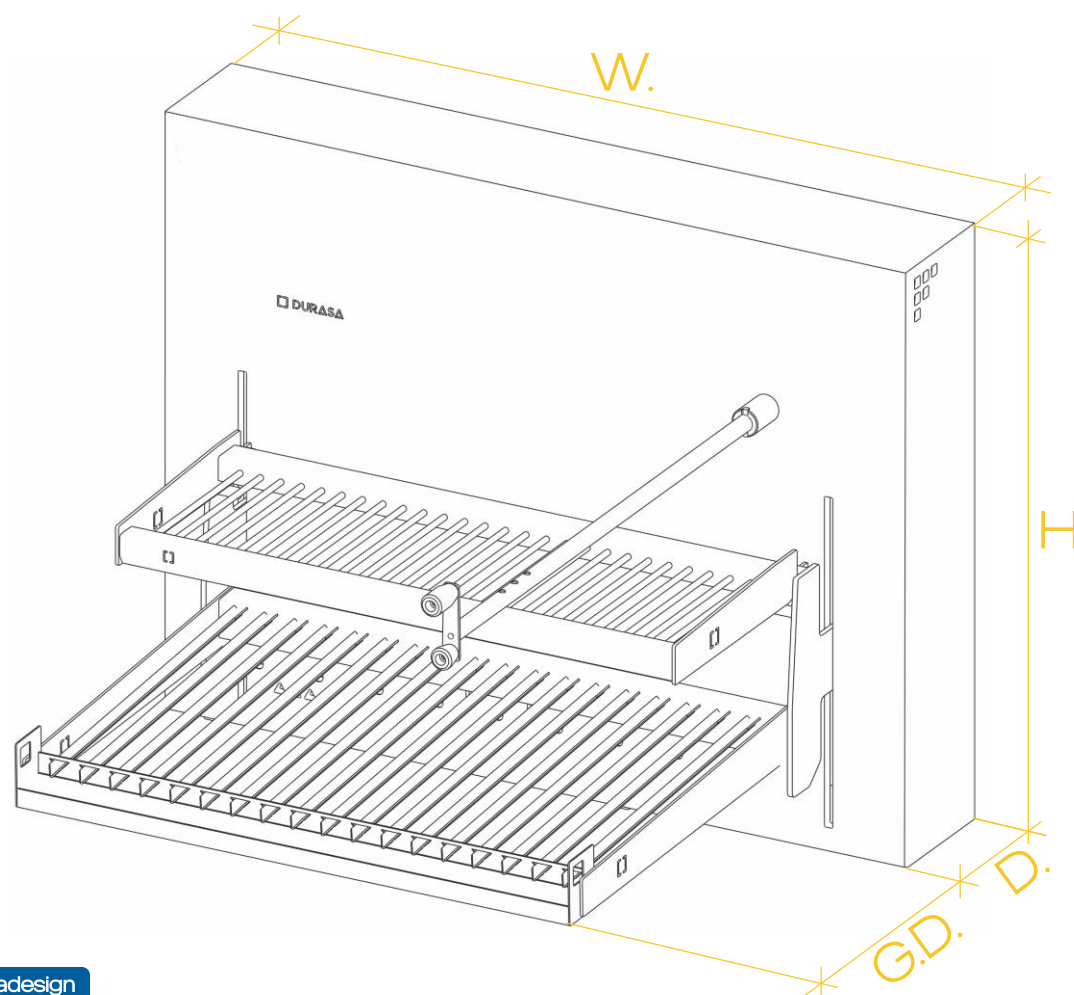
The Unique Grill model barbecue features an independent system, **using only grills.**

The Unique Grill barbecue combines design with usability. **Depending on the chosen activation**, it can feature an **automated grill lifting system**, with **controls via remote control, app + LCD panel, or manually with a crank.** The crank is a **removable item** that allows adjusting the height relative to the ember bed according to the needs and preferences of the grill master, and can be removed after use for a more spacious environment.

Made of **304 stainless steel** for its superior quality, it offers excellent resistance to adverse conditions such as high temperatures, salinity, and weathering. This choice combines durability, strength, and elegance. Additionally, the material is easy to clean and hygienic.

Other DURASA products can also be added to enhance the aesthetics and functionality of the environment, such as the **brazier, which can be incorporated into MDF furniture, the range hood with exhaust, inertial filter, and lighting, among others.**

The length (W) of the machine's front finish can be customized.



WATCH THE VIDEO
OF THIS MODEL




Access our profile at the link below
and download the desired model.

 3D Warehouse

3dwarehouse.sketchup.com/by/durasadesign

For product identification, use COD. + DEPTH (G. D.) and ACTIVATION. Example: 02.02.00661 and 02.02.00768

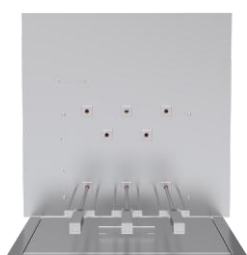
MODEL	W	H	D	COD.	GRILL DEPTH (G. D.)			EQUIPMENT ACTIVATION		
					40cm	45cm	50cm			
GR. UNIQUE GRILL 43G	61cm	60cm	13cm	02.02.	00661	00662	00663			
GR. UNIQUE GRILL 54G	73cm	60cm	13cm	02.02.	00664	00665	00666			
GR. UNIQUE GRILL 66G	85cm	60cm	13cm	02.02.	00667	00668	00669	REMOTE CONTROL	APP + LCD PANEL	CRANK
GR. UNIQUE GRILL 77G	97cm	60cm	13cm	02.02.	00670	00671	00672	02.02.00768	02.02.00769	02.02.00776

GOURMET
FAMILY

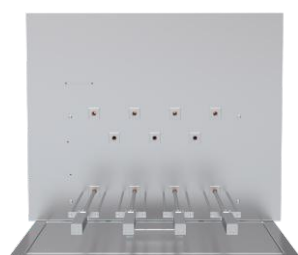
GRILL
LINE



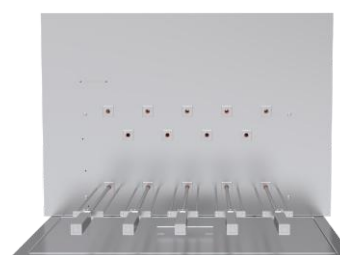
MODEL
// UNIQUE SKEWER



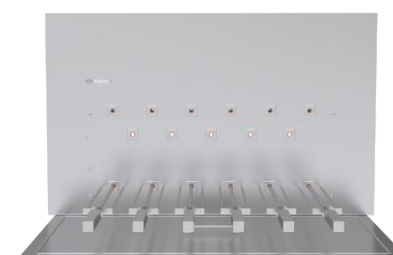
5 SKEWERS
(5S)



7 SKEWERS
(7S)



9 SKEWERS
(9S)



11 SKEWERS
(11S)

CONF. INCLUDED IN THE DELIVERY OF THIS EQUIPMENT

5S	03 TWO-PRONG SKEWERS + 02 THREE-PRONG SKEWERS
7S	04 TWO-PRONG SKEWERS + 03 THREE-PRONG SKEWERS
9S	05 TWO-PRONG SKEWERS + 04 THREE-PRONG SKEWERS
11S	06 TWO-PRONG SKEWERS + 05 THREE-PRONG SKEWERS

The Unique Skewer Grill model features an independent system, **exclusively using skewers**.

The secret to its operation lies in the **anti-slip and anti-fall system** of the suspended skewer (patented item). These **controls can be activated via remote control, application + LCD panel, touch panel, or dimmer**.

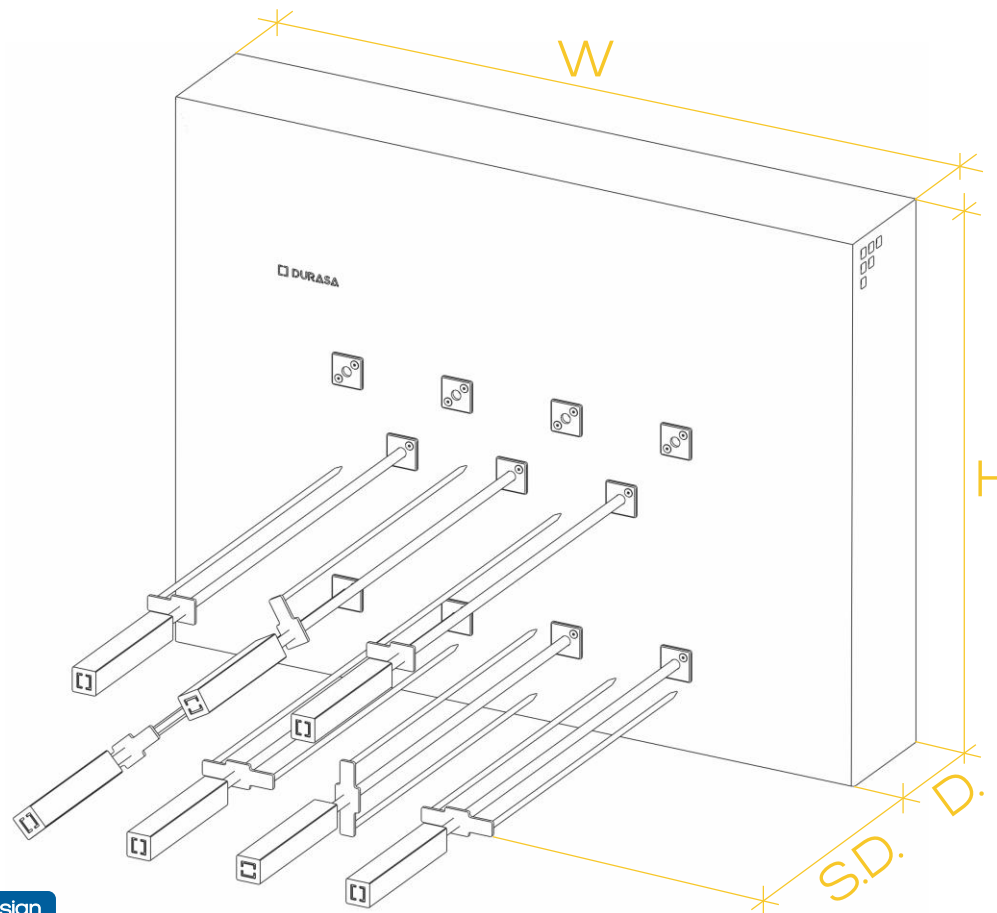
Through it, meats of varying weights will cook evenly, **always rotating at a constant and uninterrupted speed**, with functionality **performed directly on the machine by the skewer tip**.

Also manufactured in **304 stainless steel** due to its superior quality, it offers excellent resistance to adverse conditions such as high temperatures, salinity, and weathering.

This choice combines durability, strength, and elegance. Additionally, the material is **easy to clean and hygienic**. Another standout feature is the **gears of the rotating system**. They are made of naval aluminum and polymer plastic dedicated to high temperatures, **eliminating noise** during operation.

Other DURASA products can also be added to enhance the environment's aesthetics and functionality, such as the **brazier, which can be incorporated onto MDF furniture, the range hood with exhaust, inertial filter, and lighting, among others**.

The length (W) of the machine's front finish can be customized.



WATCH THE VIDEO
OF THIS MODEL











Access our profile at the link below
and download the desired model.

 3D Warehouse

3dwarehouse.sketchup.com/by/durasadesign

For product identification, use COD. + DEPTH (S. D.) and ACTIVATION. Example: 02.02.00648 and 02.02.00768

MODEL	W	H	D	COD.	SKEWER DEPTH (S. D.)			EQUIPMENT ACTIVATION			
					50cm	55cm	60cm				
GR. UNIQUE SKEWERS 5S	61cm	60cm	13cm	02.02.	00648	00649	00660				
GR. UNIQUE SKEWERS 7S	73cm	60cm	13cm	02.02.	00650	00651	00652				
GR. UNIQUE SKEWERS 9S	85cm	60cm	13cm	02.02.	00653	00655	00656				
GR. UNIQUE SKEWERS 11S	97cm	60cm	13cm	02.02.	00657	00658	00659	02.02.00768	02.02.00769	02.02.00775	02.02.00773



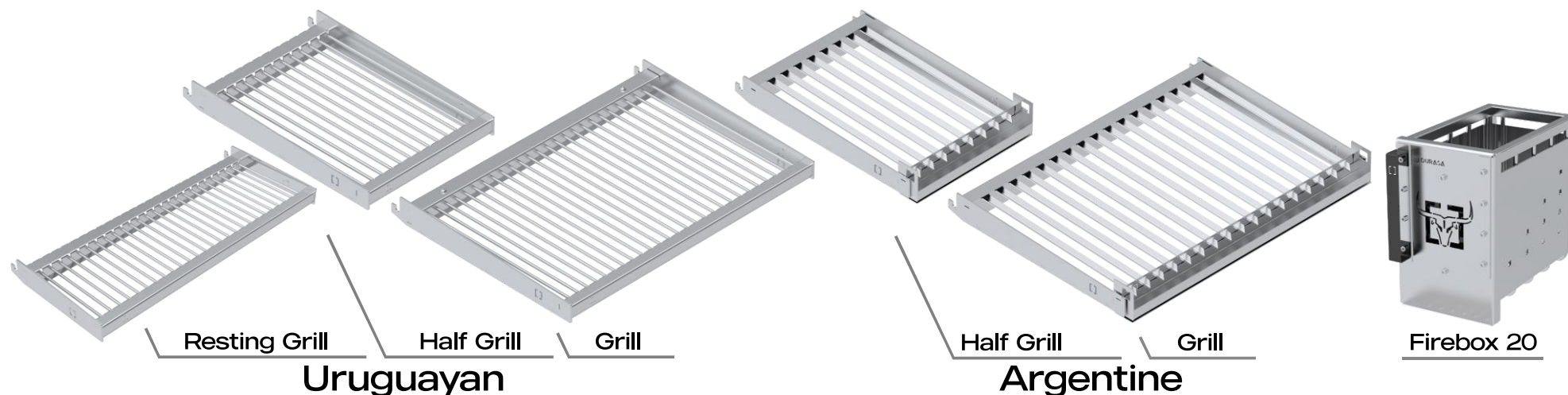
// ACCESSORIES / BRAZIER



MODEL
// ACCESSORIES

COMPATIBLE WITH ALL GRILL MODELS

The DURASA accessories are made of **stainless steel 304** and can be used for various preparations.



For product identification, use COD.

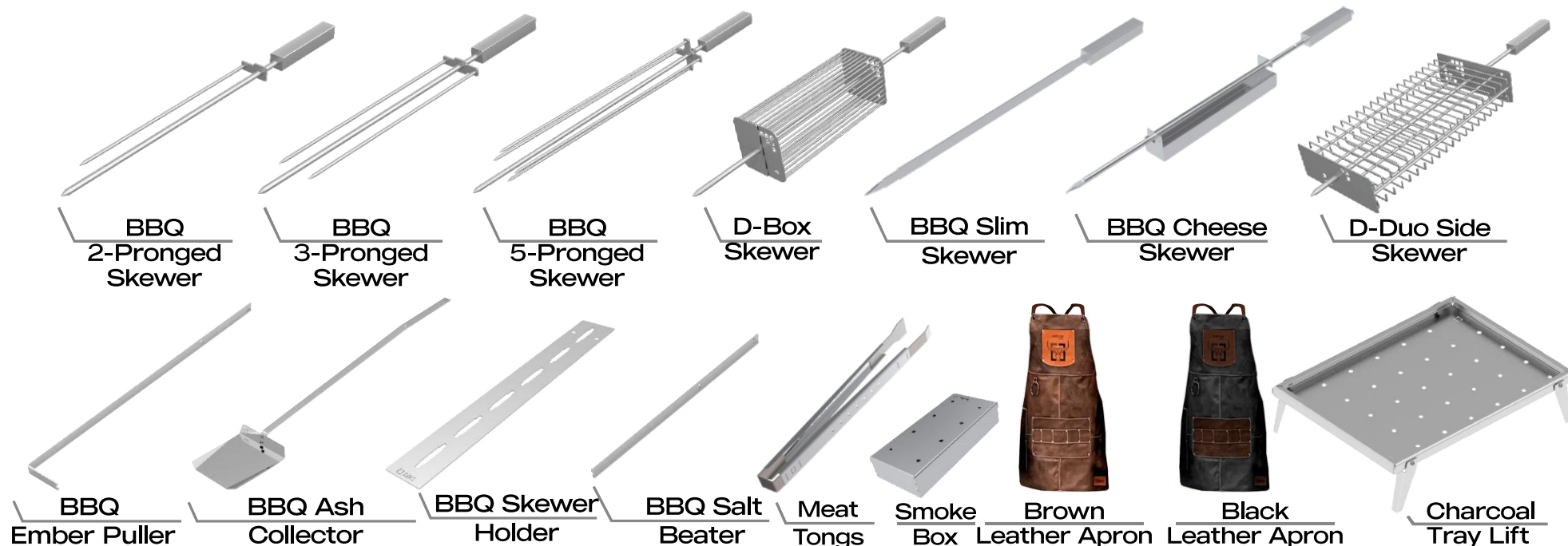
COD.	MODEL	W	H	D	COD.	MODEL	W	H	D
02.02.00339	URUGUAYAN RESTING GRILL	43cm	5cm	23,6cm	02.02.00056	HALF ARGENTINE GRILL	27cm	5cm	40cm
02.02.00610	URUGUAYAN RESTING GRILL	54cm	5cm	23,6cm	02.02.00590	HALF ARGENTINE GRILL	27cm	5cm	45cm
02.02.00715	URUGUAYAN RESTING GRILL	66cm	5cm	23,6cm	02.02.00057	HALF ARGENTINE GRILL	27cm	5cm	50cm
02.02.00079	URUGUAYAN RESTING GRILL	77cm	5cm	23,6cm	02.02.00058	HALF ARGENTINE GRILL	33cm	5cm	40cm
02.02.00070	HALF URUGUAYAN GRILL	27cm	5cm	40cm	02.02.00595	HALF ARGENTINE GRILL	33cm	5cm	45cm
02.02.00621	HALF URUGUAYAN GRILL	27cm	5cm	45cm	02.02.00059	HALF ARGENTINE GRILL	33cm	5cm	50cm
02.02.00071	HALF URUGUAYAN GRILL	27cm	5cm	50cm	02.02.00060	HALF ARGENTINE GRILL	39cm	5cm	40cm
02.02.00072	HALF URUGUAYAN GRILL	33cm	5cm	40cm	02.02.00596	HALF ARGENTINE GRILL	39cm	5cm	45cm
02.02.00622	HALF URUGUAYAN GRILL	33cm	5cm	45cm	02.02.00061	HALF ARGENTINE GRILL	39cm	5cm	50cm
02.02.00073	HALF URUGUAYAN GRILL	33cm	5cm	50cm	02.02.00048	ARGENTINE GRILL	43cm	5cm	40cm
02.02.00074	HALF URUGUAYAN GRILL	39cm	5cm	40cm	02.02.00586	ARGENTINE GRILL	43cm	5cm	45cm
02.02.00623	HALF URUGUAYAN GRILL	39cm	5cm	45cm	02.02.00049	ARGENTINE GRILL	43cm	5cm	50cm
02.02.00075	HALF URUGUAYAN GRILL	39cm	5cm	50cm	02.02.00050	ARGENTINE GRILL	54cm	5cm	40cm
02.02.00062	URUGUAYAN GRILL	43cm	5cm	40cm	02.02.00587	ARGENTINE GRILL	54cm	5cm	45cm
02.02.00366	URUGUAYAN GRILL	43cm	5cm	45cm	02.02.00051	ARGENTINE GRILL	54cm	5cm	50cm
02.02.00063	URUGUAYAN GRILL	43cm	5cm	50cm	02.02.00052	ARGENTINE GRILL	66cm	5cm	40cm
02.02.00064	URUGUAYAN GRILL	54cm	5cm	40cm	02.02.00588	ARGENTINE GRILL	66cm	5cm	45cm
02.02.00354	URUGUAYAN GRILL	54cm	5cm	45cm	02.02.00053	ARGENTINE GRILL	66cm	5cm	50cm
02.02.00065	URUGUAYAN GRILL	54cm	5cm	50cm	02.02.00054	ARGENTINE GRILL	77cm	5cm	40cm
02.02.00066	URUGUAYAN GRILL	66cm	5cm	40cm	02.02.00589	ARGENTINE GRILL	77cm	5cm	45cm
02.02.00597	URUGUAYAN GRILL	66cm	5cm	45cm	02.02.00055	ARGENTINE GRILL	77cm	5cm	50cm
02.02.00067	URUGUAYAN GRILL	66cm	5cm	50cm					
02.02.00068	URUGUAYAN GRILL	77cm	5cm	40cm	COD.	MODEL	W	H	D
02.02.00598	URUGUAYAN GRILL	77cm	5cm	45cm	02.02.00171	FIREBOX 20CM BBQ	20cm	30cm	45cm
02.02.00069	URUGUAYAN GRILL	77cm	5cm	50cm	02.02.00744	CUSTOMIZATION FIREBOX	-	-	-



MODEL
// ACCESSORIES

COMPATIBLE WITH ALL GRILL MODELS

The DURASA accessories are made of **stainless steel 304** and can be used for various preparations.



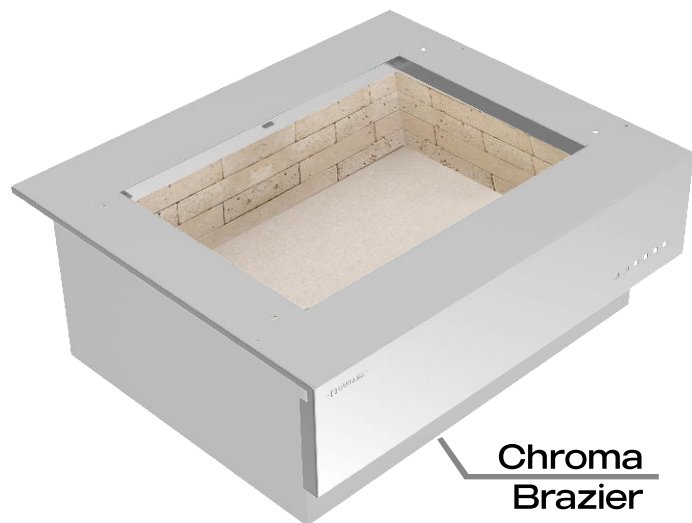
For product identification, use COD.

COD.	MODEL	D
02.02.00024	BBQ 2-PRONGED SKEWER	50cm
02.02.00025	BBQ 2-PRONGED SKEWER	55cm
02.02.00026	BBQ 2-PRONGED SKEWER	60cm
02.02.00028	BBQ 3-PRONGED SKEWER	50cm
02.02.00029	BBQ 3-PRONGED SKEWER	55cm
02.02.00030	BBQ 3-PRONGED SKEWER	60cm
02.02.00032	BBQ 5-PRONGED SKEWER	50cm
02.02.00033	BBQ 5-PRONGED SKEWER	55cm
02.02.00034	BBQ 5-PRONGEDSKEWER	60cm
02.02.00038	D-BOX SKEWER	50cm
02.02.00393	D-BOX SKEWER	55cm
02.02.00040	D-BOX SKEWER	60cm
02.02.00020	BBQ SLIM SKEWER	50cm
02.02.00021	BBQ SLIM SKEWER	55cm
02.02.00022	BBQ SLIM SKEWER	60cm
02.02.00035	BBQ CHEESE SKEWER	50cm
02.02.00036	BBQ CHEESE SKEWER	60cm
02.02.00041	D-DUO SIDE SKEWER	55cm

COD.	MODEL	W	H	D
02.02.00687	BBQ EMBER PULLER	75cm	16cm	63cm
02.02.00043	BBQ ASH COLLECTOR	12cm	6.8cm	77cm
02.02.00625	BBQ SKEWER HOLDER	75cm	-	60cm
02.02.00686	BBQ SALT BEATER	2cm	-	63cm
02.02.00306	MEAT TONGS	4.3cm	2.8cm	52cm
02.02.00178	SMOKE BOX	9cm	4cm	20cm
13.02.00314	BROWN LEATHER APRON	-	-	-
13.02.00315	BLACK LEATHER APRON	-	-	-
02.02.00011	CHARCOAL TRAY LIFT	45,2cm	10cm	42,2cm
02.02.00754	CHARCOAL TRAY LIFT	45,2cm	10cm	47,2cm
02.02.00012	CHARCOAL TRAY LIFT	45,2cm	10cm	52,2cm
02.02.00013	CHARCOAL TRAY LIFT	57,2cm	10cm	42,2cm
02.02.00755	CHARCOAL TRAY LIFT	57,2cm	10cm	47,2cm
02.02.00014	CHARCOAL TRAY LIFT	57,2cm	10cm	52,2cm
02.02.00015	CHARCOAL TRAY LIFT	69,2cm	10cm	42,2cm
02.02.00756	CHARCOAL TRAY LIFT	69,2cm	10cm	47,2cm
02.02.00016	CHARCOAL TRAY LIFT	69,2cm	10cm	52,2cm
02.02.00017	CHARCOAL TRAY LIFT	81,2cm	10cm	42,2cm
02.02.00757	CHARCOAL TRAY LIFT	81,2cm	10cm	47,2cm
02.02.00018	CHARCOAL TRAY LIFT	81,2cm	10cm	52,2cm

MODEL
BRAZIER

For braziers with a width (W) equal to or greater than 105.70cm, 2 lids are used: 1 main brazier lid and 1 complementary brazier lid, already with predefined measurements according to the table.



**Chroma
Brazier**



**Brazier
Lid**

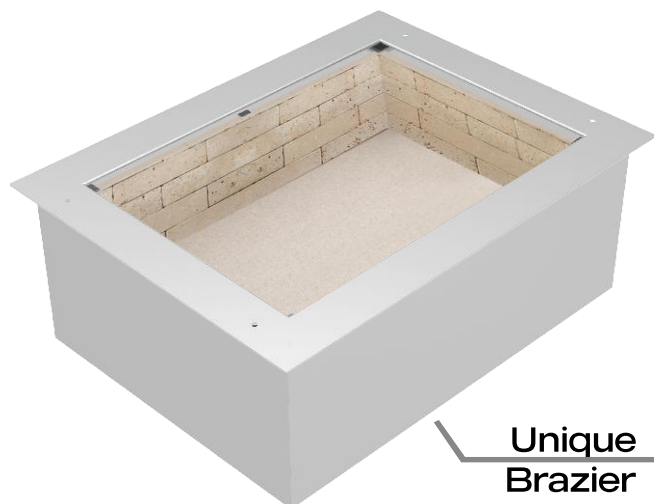


**Complementary
Brazier Lid**

For product identification, use COD. CHROMA BRAZIER + BRAZIER LID + COMPLEMENTARY BRAZIER LID Ex: 02.02.00253 + 02.02.00335 + 02.02.00336

COD	MODEL	W	H	D	COD	MODEL	W	H	D	COD	MODEL	W	H	D
02.02.00253	CHROMA BRAZIER	105,7cm	27cm	54,3cm	02.02.00335	BRAZIER LID	50cm	1,2cm	43cm	02.02.00336	COMPLEMENTARY BRAZIER LID	44,2cm	1,2cm	43cm
02.02.00254	CHROMA BRAZIER	105,7cm	27cm	64,3cm	02.02.00004	BRAZIER LID	50cm	1,2cm	53cm	02.02.00092	COMPLEMENTARY BRAZIER LID	44,2cm	1,2cm	53cm
02.02.00255	CHROMA BRAZIER	117,3cm	27cm	54,3cm	02.02.00335	BRAZIER LID	50cm	1,2cm	43cm	02.02.00457	COMPLEMENTARY BRAZIER LID	55,8cm	1,2cm	43cm
02.02.00256	CHROMA BRAZIER	117,3cm	27cm	64,3cm	02.02.00004	BRAZIER LID	50cm	1,2cm	53cm	02.02.00459	COMPLEMENTARY BRAZIER LID	55,8cm	1,2cm	53cm
02.02.00257	CHROMA BRAZIER	128,9cm	27cm	54,3cm	02.02.00395	BRAZIER LID	62cm	1,2cm	43cm	02.02.00493	COMPLEMENTARY BRAZIER LID	55,4cm	1,2cm	43cm
02.02.00258	CHROMA BRAZIER	128,9cm	27cm	64,3cm	02.02.00006	BRAZIER LID	62cm	1,2cm	53cm	02.02.00494	COMPLEMENTARY BRAZIER LID	55,4cm	1,2cm	53cm
02.02.00244	CHROMA BRAZIER	61,4cm	27cm	54,3cm	02.02.00335	BRAZIER LID	50cm	1,2cm	43cm					
02.02.00245	CHROMA BRAZIER	61,4cm	27cm	64,3cm	02.02.00004	BRAZIER LID	50cm	1,2cm	53cm					
02.02.00247	CHROMA BRAZIER	73,4cm	27cm	54,3cm	02.02.00395	BRAZIER LID	62cm	1,2cm	43cm					
02.02.00248	CHROMA BRAZIER	73,4cm	27cm	64,3cm	02.02.00006	BRAZIER LID	62cm	1,2cm	53cm					
02.02.00249	CHROMA BRAZIER	85,4cm	27cm	54,3cm	02.02.00342	BRAZIER LID	74cm	1,2cm	43cm					
02.02.00250	CHROMA BRAZIER	85,4cm	27cm	64,3cm	02.02.00008	BRAZIER LID	74cm	1,2cm	53cm					
02.02.00251	CHROMA BRAZIER	97,4cm	27cm	54,3cm	02.02.00009	BRAZIER LID	86cm	1,2cm	43cm					
02.02.00252	CHROMA BRAZIER	97,4cm	27cm	64,3cm	02.02.00010	BRAZIER LID	86cm	1,2cm	53cm					

MODEL
BRAZIER



**Unique
Brazier**



**Brazier
Lid**



**Complementary
Brazier Lid**

For braziers with a width (W) equal to or greater than 105.70cm, 2 lids are used: 1 main brazier lid and 1 complementary brazier lid, already with predefined measurements according to the table.

For product identification, use COD. UNIQUE BRAZIER + BRAZIER LID + COMPLEMENTARY BRAZIER LID Ex.: 02.02.00238 + 02.02.00335 + 02.02.00336

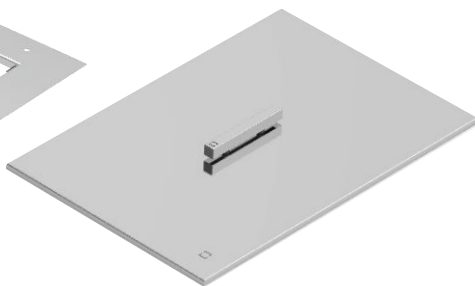
COD	MODEL	W	H	D	COD	MODEL	W	H	D	COD	MODEL	W	H	D
02.02.00238	UNIQUE BRAZIER	105,7cm	27cm	54,3cm	02.02.00335	BRAZIER LID	50cm	1,2cm	43cm	02.02.00336	COMPLEMENTARY BRAZIER LID	44,2cm	1,2cm	43cm
02.02.00239	UNIQUE BRAZIER	105,7cm	27cm	64,3cm	02.02.00004	BRAZIER LID	50cm	1,2cm	53cm	02.02.00092	COMPLEMENTARY BRAZIER LID	44,2cm	1,2cm	53cm
02.02.00240	UNIQUE BRAZIER	117,3cm	27cm	54,3cm	02.02.00335	BRAZIER LID	50cm	1,2cm	43cm	02.02.00457	COMPLEMENTARY BRAZIER LID	55,8cm	1,2cm	43cm
02.02.00241	UNIQUE BRAZIER	117,3cm	27cm	64,3cm	02.02.00004	BRAZIER LID	50cm	1,2cm	53cm	02.02.00459	COMPLEMENTARY BRAZIER LID	55,8cm	1,2cm	53cm
02.02.00242	UNIQUE BRAZIER	128,9cm	27cm	54,3cm	02.02.00395	BRAZIER LID	62cm	1,2cm	43cm	02.02.00093	COMPLEMENTARY BRAZIER LID	55,4cm	1,2cm	43cm
02.02.00243	UNIQUE BRAZIER	128,9cm	27cm	64,3cm	02.02.00006	BRAZIER LID	62cm	1,2cm	53cm	02.02.00094	COMPLEMENTARY BRAZIER LID	55,4cm	1,2cm	53cm
02.02.00230	UNIQUE BRAZIER	61,4cm	27cm	54,3cm	02.02.00335	BRAZIER LID	50cm	1,2cm	43cm					
02.02.00231	UNIQUE BRAZIER	61,4cm	27cm	64,3cm	02.02.00004	BRAZIER LID	50cm	1,2cm	53cm					
02.02.00232	UNIQUE BRAZIER	73,4cm	27cm	54,3cm	02.02.00395	BRAZIER LID	62cm	1,2cm	43cm					
02.02.00233	UNIQUE BRAZIER	73,4cm	27cm	64,3cm	02.02.00006	BRAZIER LID	62cm	1,2cm	53cm					
02.02.00234	UNIQUE BRAZIER	85,4cm	27cm	54,3cm	02.02.00342	BRAZIER LID	74cm	1,2cm	43cm					
02.02.00235	UNIQUE BRAZIER	85,4cm	27cm	64,3cm	02.02.00008	BRAZIER LID	74cm	1,2cm	53cm					
02.02.00236	UNIQUE BRAZIER	97,4cm	27cm	54,3cm	02.02.00009	BRAZIER LID	86cm	1,2cm	43cm					
02.02.00237	UNIQUE BRAZIER	97,4cm	27cm	64,3cm	02.02.00010	BRAZIER LID	86cm	1,2cm	53cm					

MODEL
BRAZIER

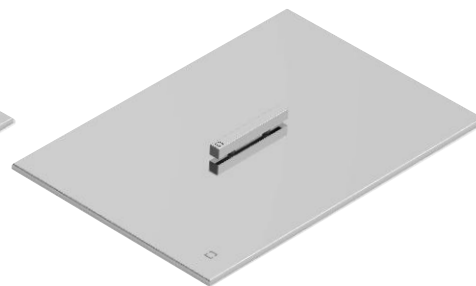
For brazier frames with a width (W) equal to or greater than 105.70cm, 2 lids are used: 1 brazier LID and 1 complementary brazier lid, with predefined measurements as per the table.



**Unique Brazier
Frame for Masonry**



**Brazier
Lid**



**Complementary
Brazier Lid**

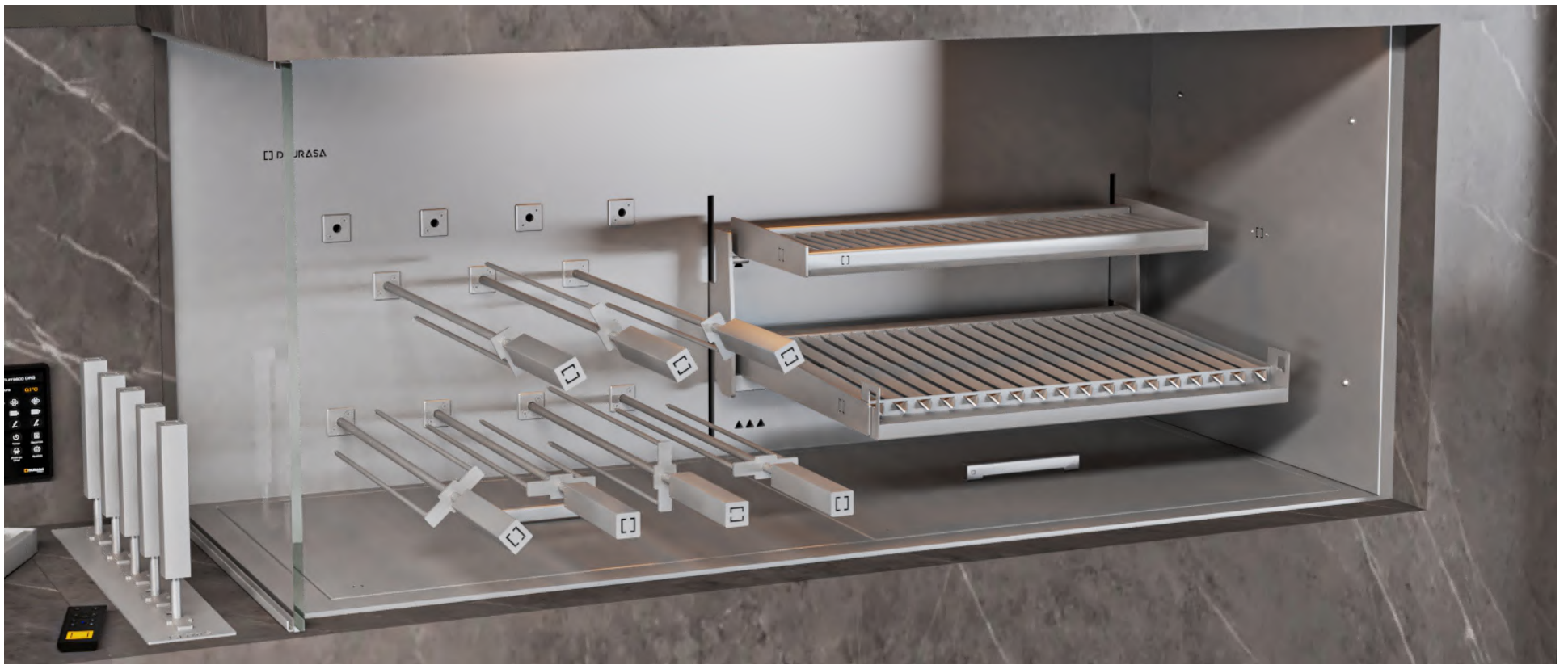


**Chroma Brazier
Frame for Masonry**

To identify the product, use the following format: COD UNIQUE BRAZIER FRAME FOR MASONRY + BRAZIER LID + COMPLEMENTARY BRAZIER LID Ex: 02.02.00308 + 02.02.00335 + 02.02.00336

COD.	MODEL	W	H	D	COD.	MODEL	W	H	D	COD.	MODEL	W	H	D
02.02.00308	UNIQUE BRAZIER FRAME FOR MASONRY	101,3cm	2cm	50cm	02.02.00335	BRAZIER LID	50cm	1,2cm	43cm	02.02.00336	COMPLEMENTARY BRAZIER LID	44,2cm	1,2cm	43cm
02.02.00562	UNIQUE BRAZIER FRAME FOR MASONRY	101,3cm	2cm	55cm	02.02.00377	BRAZIER LID	50cm	1,2cm	48cm	02.02.00456	COMPLEMENTARY BRAZIER LID	44,2cm	1,2cm	48cm
02.02.00577	UNIQUE BRAZIER FRAME FOR MASONRY	101,3cm	2cm	60cm	02.02.00004	BRAZIER LID	50cm	1,2cm	53cm	02.02.00092	COMPLEMENTARY BRAZIER LID	44,2cm	1,2cm	53cm
02.02.00503	UNIQUE BRAZIER FRAME FOR MASONRY	124,5cm	2cm	50cm	02.02.00395	BRAZIER LID	62cm	1,2cm	43cm	02.02.00093	COMPLEMENTARY BRAZIER LID	55,4cm	1,2cm	43cm
02.02.00564	UNIQUE BRAZIER FRAME FOR MASONRY	124,5cm	2cm	55cm	02.02.00391	BRAZIER LID	62cm	1,2cm	48cm	02.02.00095	COMPLEMENTARY BRAZIER LID	55,4cm	1,2cm	48cm
02.02.00579	UNIQUE BRAZIER FRAME FOR MASONRY	124,5cm	2cm	60cm	02.02.00006	BRAZIER LID	62cm	1,2cm	53cm	02.02.00094	COMPLEMENTARY BRAZIER LID	55,4cm	1,2cm	53cm
02.02.00341	UNIQUE BRAZIER FRAME FOR MASONRY	147,7cm	2cm	50cm	02.02.00342	BRAZIER LID	74cm	1,2cm	43cm	02.02.00095	COMPLEMENTARY BRAZIER LID	66,6cm	1,2cm	43cm
02.02.00566	UNIQUE BRAZIER FRAME FOR MASONRY	147,7cm	2cm	55cm	02.02.00413	BRAZIER LID	74cm	1,2cm	48cm	02.02.00511	COMPLEMENTARY BRAZIER LID	66,6cm	1,2cm	48cm
02.02.00446	UNIQUE BRAZIER FRAME FOR MASONRY	147,7cm	2cm	60cm	02.02.00008	BRAZIER LID	74cm	1,2cm	53cm	02.02.00096	COMPLEMENTARY BRAZIER LID	66,6cm	1,2cm	53cm
02.02.00554	UNIQUE BRAZIER FRAME FOR MASONRY	170,9cm	2cm	50cm	02.02.00009	BRAZIER LID	86cm	1,2cm	43cm	02.02.00528	COMPLEMENTARY BRAZIER LID	77,8cm	1,2cm	43cm
02.02.00568	UNIQUE BRAZIER FRAME FOR MASONRY	170,9cm	2cm	55cm	02.02.00415	BRAZIER LID	86cm	1,2cm	48cm	02.02.00529	COMPLEMENTARY BRAZIER LID	77,8cm	1,2cm	48cm
02.02.00582	UNIQUE BRAZIER FRAME FOR MASONRY	170,9cm	2cm	60cm	02.02.00010	BRAZIER LID	86cm	1,2cm	53cm	02.02.00530	COMPLEMENTARY BRAZIER LID	77,8cm	1,2cm	53cm
02.02.00550	UNIQUE BRAZIER FRAME FOR MASONRY	57cm	2cm	50cm	02.02.00335	BRAZIER LID	50cm	1,2cm	43cm					
02.02.00558	UNIQUE BRAZIER FRAME FOR MASONRY	57cm	2cm	55cm	02.02.00377	BRAZIER LID	50cm	1,2cm	48cm					
02.02.00572	UNIQUE BRAZIER FRAME FOR MASONRY	57cm	2cm	60cm	02.02.00004	BRAZIER LID	50cm	1,2cm	53cm					
02.02.00397	UNIQUE BRAZIER FRAME FOR MASONRY	69cm	2cm	50cm	02.02.00395	BRAZIER LID	62cm	1,2cm	43cm					
02.02.00388	UNIQUE BRAZIER FRAME FOR MASONRY	69cm	2cm	55cm	02.02.00391	BRAZIER LID	62cm	1,2cm	48cm					
02.02.00573	UNIQUE BRAZIER FRAME FOR MASONRY	69cm	2cm	60cm	02.02.00006	BRAZIER LID	62cm	1,2cm	53cm					
02.02.00551	UNIQUE BRAZIER FRAME FOR MASONRY	81cm	2cm	50cm	02.02.00342	BRAZIER LID	74cm	1,2cm	43cm					
02.02.00559	UNIQUE BRAZIER FRAME FOR MASONRY	81cm	2cm	55cm	02.02.00413	BRAZIER LID	74cm	1,2cm	48cm					
02.02.00574	UNIQUE BRAZIER FRAME FOR MASONRY	81cm	2cm	60cm	02.02.00008	BRAZIER LID	74cm	1,2cm	53cm					
02.02.00271	UNIQUE BRAZIER FRAME FOR MASONRY	93cm	2cm	50cm	02.02.00009	BRAZIER LID	86cm	1,2cm	43cm					
02.02.00560	UNIQUE BRAZIER FRAME FOR MASONRY	93cm	2cm	55cm	02.02.00415	BRAZIER LID	86cm	1,2cm	48cm					
02.02.00575	UNIQUE BRAZIER FRAME FOR MASONRY	93cm	2cm	60cm	02.02.00010	BRAZIER LID	86cm	1,2cm	53cm					

COD.	MODEL	W	H	D
BAJO CONSULTA	CHROMA BRAZIER FRAME MASONRY	-	-	-





// PARRILLA



GOURMET
FAMILY

PARRILLA
LINE

MODEL

// CHROMA P25 SIDE FIREBOX



02.02.00159



02.02.00160



02.02.00161



02.02.00162



02.02.00163



02.02.00164

COD. INCLUDED WITH THE DELIVERY OF THIS EQUIPMENT

02.02.00159	01 URUGUAYAN GRILL 44CM + 01 FIREBOX + 01 WHEEL CRANK + 01 FRONT LID
02.02.00160	01 URUGUAYAN GRILL 54CM + 01 FIREBOX + 01 WHEEL CRANK + 01 FRONT LID
02.02.00161	01 URUGUAYAN GRILL 66CM + 01 FIREBOX + 01 WHEEL CRANK + 01 FRONT LID
02.02.00162	01 URUGUAYAN GRILL 77CM + 01 FIREBOX + 01 WHEEL CRANK + 01 FRONT LID
02.02.00163	01 URUGUAYAN GRILL 89CM + 01 FIREBOX + 01 WHEEL CRANK + 01 FRONT LID
02.02.00164	01 URUGUAYAN GRILL 108CM + 01 FIREBOX + 01 WHEEL CRANK + 01 FRONT LID

In the Parrilla Chroma P25 Side Firebox, you have complete control over the embers during cooking, resulting in a tastier barbecue and a pleasurable experience.

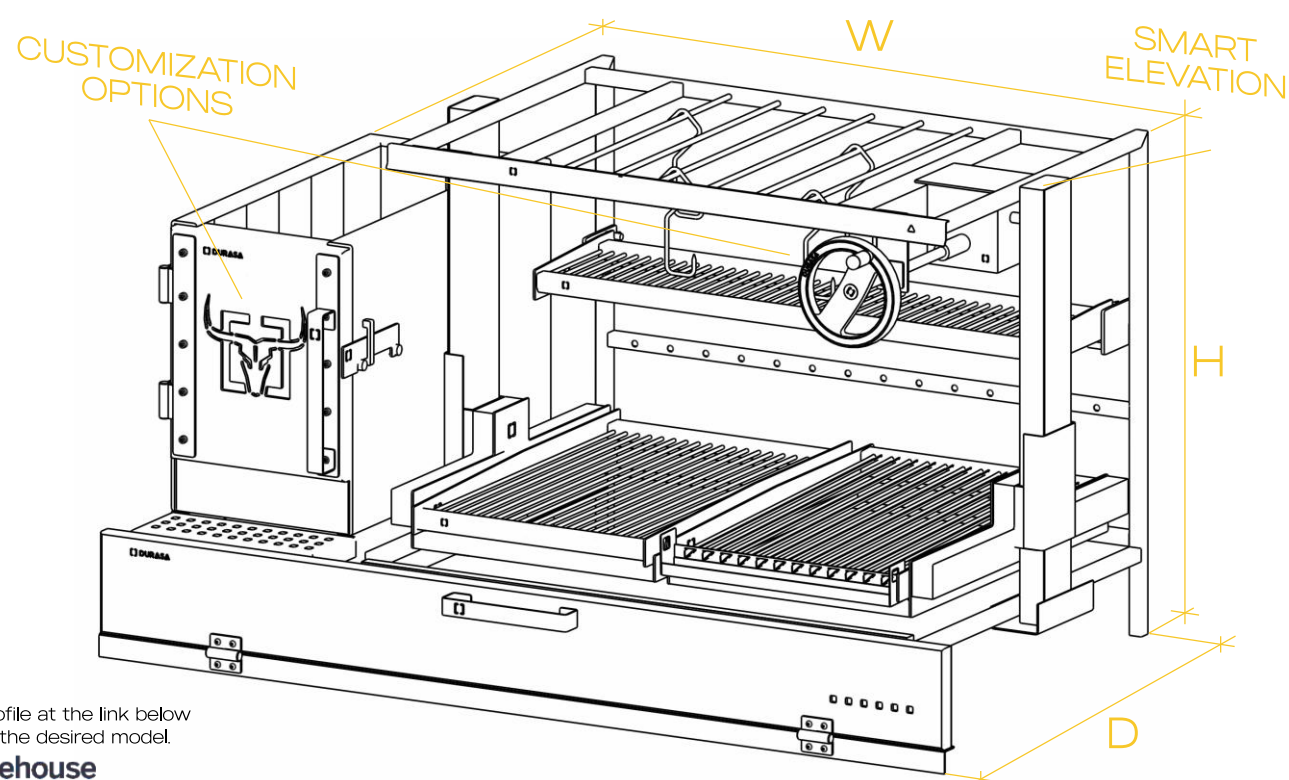
The **firebox positioned on the side** allows for simple control of fire and heat, enabling easy movement of the embers through the brazier with practicality, **whether it's positioned on the left or right side of the parrilla, always opposite the elevation wheel.** Additionally, the firebox can be **customized**, allowing you to add **your brand or any desired elements.**

PARRILLA WITH MODERN, ROBUST, AND CUSTOMIZABLE DESIGN!

Made entirely of **304 stainless steel** for its highest quality, it provides excellent physical and mechanical properties, along with exceptional resistance to adverse conditions such as heat, salinity, weather, and more.

Regarding heat, the **firebox** also features an **exclusive thermal insulation system**, enhancing its durability and resistance. To meet **residential or industrial** needs, we offer a **variety of sizes.**

In terms of usability, the Parrilla Chroma P25 Side Firebox features an **intelligent, independently adjustable grill system with fully hidden and insulated mechanisms, controlled by an anti-reverse device wheel, thermally insulated front Lid, and a 30 firebox.** It also includes a smoke rack contributing to different preparations.



WATCH THE VIDEO
OF THIS MODEL



Access our profile at the link below
and download the desired model.

 3D Warehouse

3dwarehouse.sketchup.com/by/durasadesign

For product identification, use COD. Ex: 02.02.00159

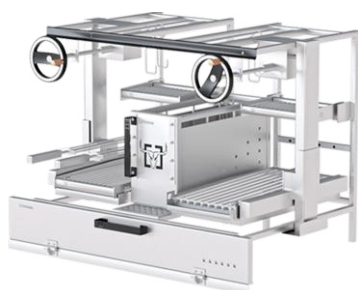
COD.	MODEL	W	H	D	FIREBOX	POSITION
02.02.00159	PARRILLA CHROMA P25 SIDE FIREBOX	66cm	73cm	70cm	30cm	LEFT SIDE
02.02.00160	PARRILLA CHROMA P25 SIDE FIREBOX	77cm	73cm	70cm	30cm	LEFT SIDE
02.02.00161	PARRILLA CHROMA P25 SIDE FIREBOX	89cm	73cm	70cm	30cm	LEFT SIDE
02.02.00162	PARRILLA CHROMA P25 SIDE FIREBOX	100cm	73cm	70cm	30cm	LEFT SIDE
02.02.00163	PARRILLA CHROMA P25 SIDE FIREBOX	112cm	73cm	70cm	30cm	LEFT SIDE
02.02.00164	PARRILLA CHROMA P25 SIDE FIREBOX	132cm	73cm	70cm	30cm	LEFT SIDE

GOURMET
FAMILY

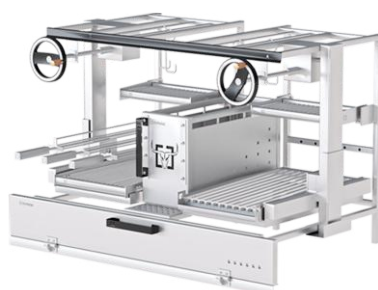
PARRILLA
LINE

MODEL

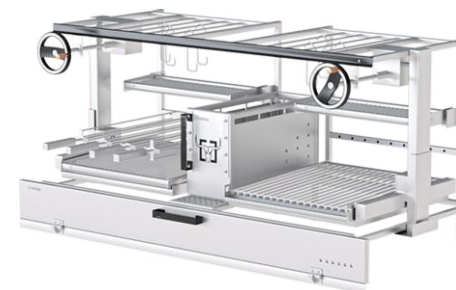
// CHROMA P25 CENTRAL FIREBOX



02.02.00722



02.02.00727



02.02.00728

COD. INCLUDED WITH THE DELIVERY OF THIS EQUIPMENT

02.02.00722	02 HALF URUGUAYAN GRILLS 27CM + 02 URUGUAYAN RESTING GRILLS 27CM + 01 FIREBOX + 02 WHEEL CRANKS + 01 FRONT LID
02.02.00727	02 HALF URUGUAYAN GRILLS 33CM + 02 URUGUAYAN RESTING GRILLS 33CM + 01 FIREBOX + 02 WHEEL CRANKS + 01 FRONT LID
02.02.00728	02 URUGUAYAN GRILLS 54CM + 02 URUGUAYAN RESTING GRILLS 54CM + 01 FIREBOX + 02 WHEEL CRANKS + 01 FRONT LID

To operate a Parrilla Chroma P25 Central Firebox means having complete control over the cooking process, resulting in a more flavorful barbecue.

To complement this enjoyable experience, a good parrilla is essential, and that's what we provide:
A PARRILLA WITH MODERN, ROBUST, AND CUSTOMIZABLE DESIGN!

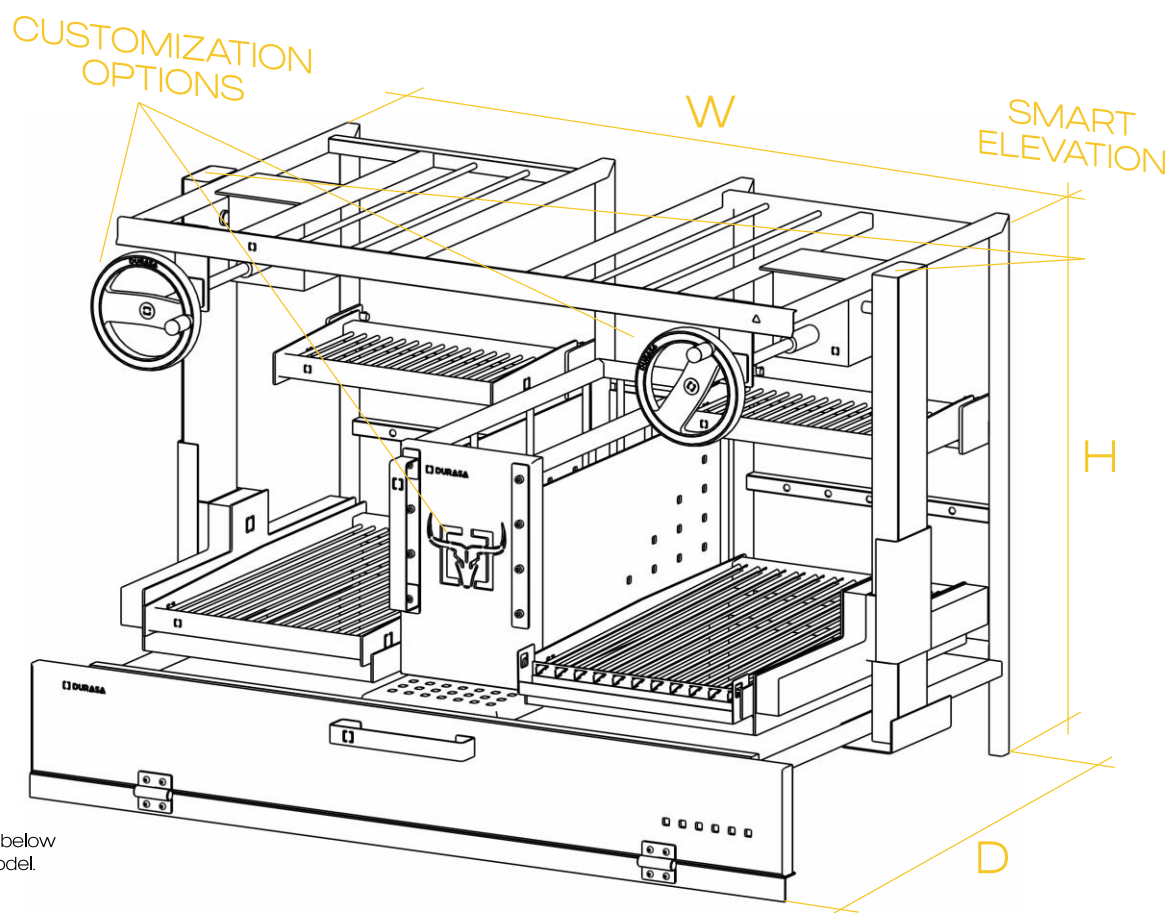
Stainless steel 304 was chosen for being among the best grades of steel, ensuring excellent physical and mechanical properties, as well as resistance to aggressive environments such as high temperatures, salinity, weathering, and more.

In terms of durability, the **firebox** excels with its **unique thermal insulation system**. Its **central position** allows for temperature control and variation on both sides according to the food being prepared. Additionally, the firebox can be **personalized** by adding **your brand or any desired elements**.

To meet **residential or industrial** needs, we offer a **variety of sizes**.

The Parrilla Chroma P25 Central Firebox features **Uruguayan grills with independently adjustable elevation**, a **fully insulated hidden system controlled by two anti-reverse devices**, a **front-insulated lid**, and a **firebox 20**.

At the top, it includes a **smoking rack** as a unique feature, ideal for pre-preparing foods



WATCH THE VIDEO
OF THIS MODEL.



Access our profile at the link below
and download the desired model.

 **3D Warehouse**

3dwarehouse.sketchup.com/by/durasadesign

For product identification, use COD. Ex.: 02.02.00722

COD.	MODEL	W	H	D	FIREBOX	POSITION
02.02.00722	PARRILLA CHROMA P25 CENTRAL FIREBOX	100cm	73cm	70cm	20cm	CENTRAL
02.02.00727	PARRILLA CHROMA P25 CENTRAL FIREBOX	112cm	73cm	70cm	20cm	CENTRAL
02.02.00728	PARRILLA CHROMA P25 CENTRAL FIREBOX	155cm	73cm	70cm	20cm	CENTRAL



// PORTABLE PARRILLA



// PORTABLE CHROMA P20



02.02.00157



02.02.00702

COD. INCLUDED WITH THE DELIVERY OF THIS EQUIPMENT

02.02.00157 01 FIREBOX + 02 WHEEL CRANKS + 01 HALF ARGENTINE GRILL 33CM + 01 HALF URUGUAYAN GRILL 33CM + 02 HALF URUGUAYAN RESTING GRILLS 33CM + FRONT LID + 01 BOARD + 01 SHELF

02.02.00702 01 FIREBOX + 02 WHEEL CRANKS + 01 ARGENTINE GRILL 54CM + 01 URUGUAYAN GRILL 54CM + 02 URUGUAYAN RESTING GRILLS 54CM + FRONT LID + 01 BOARD + 01 SHELF

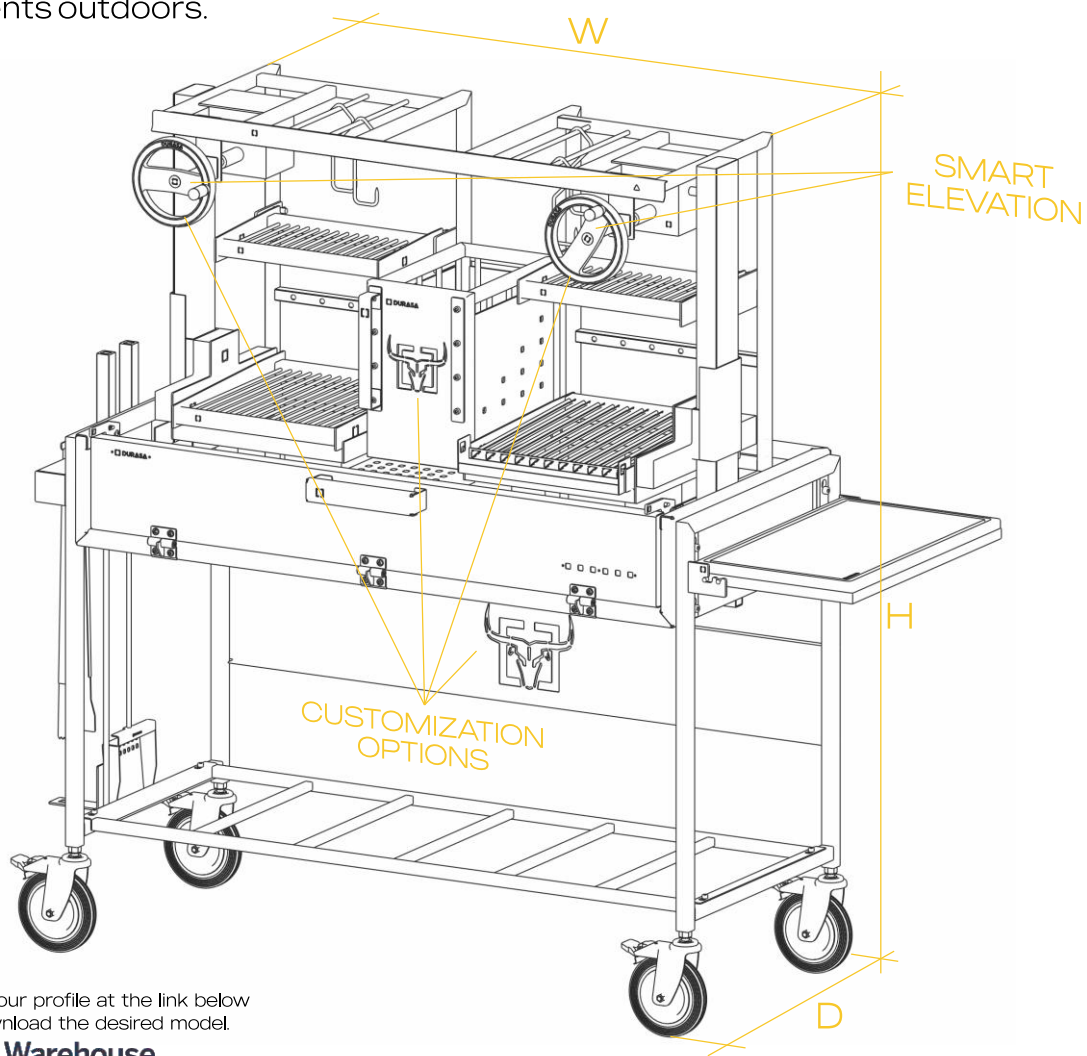
The Portable Parrilla Chroma P20 will accompany you on all occasions, turning your barbecue into an event to gather friends and enjoy good meat.

Precision-crafted from **304 stainless steel**, this premium model offers unmatched durability, ensuring it's ready to join you on all your culinary adventures. **It's easy to transport and quick to assemble.**

The firebox features a front lid with thermal insulation and refractory bricks for the base lining, ensuring controlled burning for quality grilled meats and roasted vegetables.

For functionality, features like grill elevations **through an intelligent independent lifting system, completely concealed and insulated, controlled by two wheels with anti-reverse device assist in achieving** the ideal preparation. **It's customizable, allowing for your own branded mark or elements** that highlight your identity and style.

With the Portable Parrilla Chroma P20, every barbecue becomes more than just a meal; it's a celebration of flavors and great moments outdoors.



Access our profile at the link below and download the desired model.

 **3D Warehouse**

3dwarehouse.sketchup.com/by/durasadesign

WATCH THE VIDEOS
OF THIS MODEL.



For product identification, use COD. Ex.: 02.02.00157

COD.	MODEL	W	H	D	FIREBOX	POSITION
02.02.00157	PORTABLE PARRILLA CHROMA P20	112cm	162cm	56cm	20cm	CENTRAL
02.02.00702	PORTABLE PARRILLA CHROMA P20	155cm	162cm	56cm	20cm	CENTRAL

GOURMET
FAMILY

PARRILLA
LINE

MODEL
// PORTABLE CARBON



02.02.00408



02.02.00407



02.02.00406

COD. INCLUDED WITH THE DELIVERY OF THIS EQUIPMENT

02.02.00408 01 FIREBOX + 02 URUGUAYAN GRILLS 54CM + 01 SHELF

02.02.00407 01 FIREBOX + 02 URUGUAYAN GRILLS 54CM + 02 URUGUAYAN RESTING GRILLS 54CM + 01 SHELF + 01 SMOKING RACK

02.02.00406 01 FIREBOX + 02 URUGUAYAN GRILLS 54CM + 02 URUGUAYAN RESTING GRILLS 54CM + 01 SHELF + 01 EMBER LID + 01 SMOKING RACK

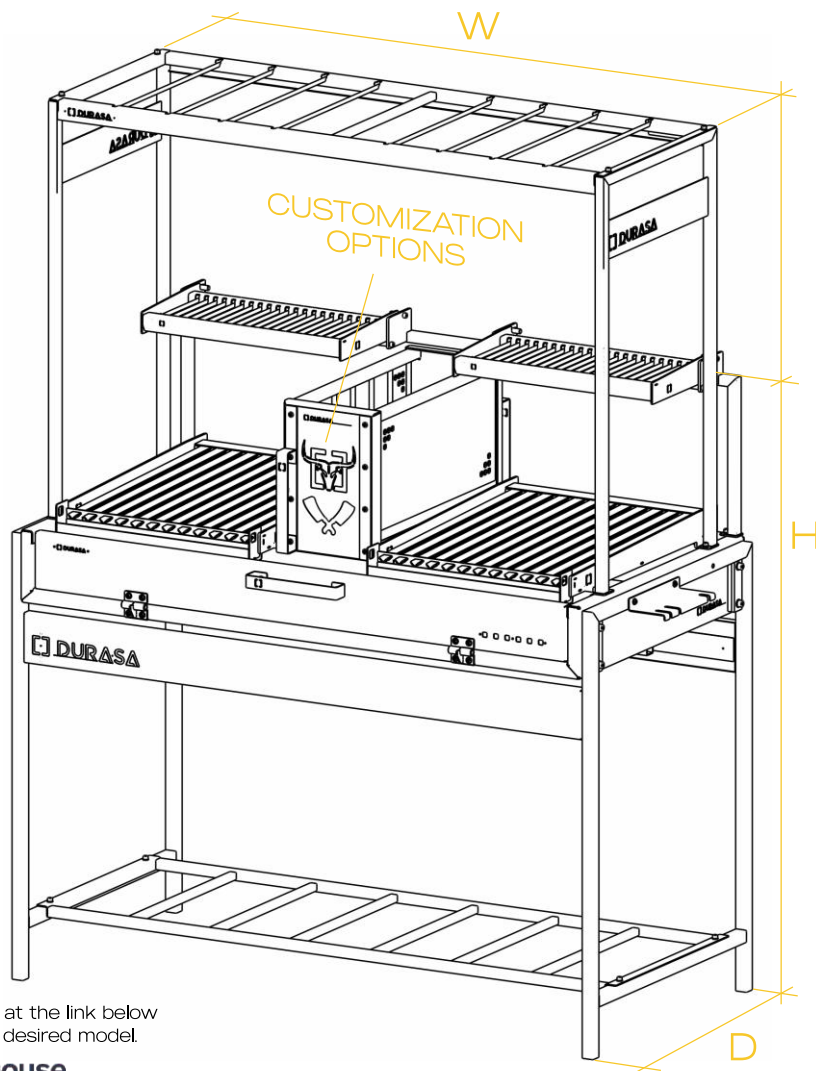
The Portable Parrilla Carbon will be by your side in every situation, transforming each barbecue into a special moment to gather friends and enjoy delicious meat.

Made of **carbon steel**, the basic model prioritizes similarity, combining lightweight construction with hygiene and practicality, as its **grills are made of stainless steel 304**.

It's easy to transport and quick to assemble.

Customizable, you can have your own brand engraved or elements that highlight your identity and style.

With the Portable Parrilla Carbon, each barbecue becomes more than a meal; it's a celebration of flavors and good times outdoors.



Access our profile at the link below and download the desired model.

 **3D Warehouse**

3dwarehouse.sketchup.com/by/durasadesign

WATCH THE VIDEO
OF THIS MODEL.



For product identification, use COD. Ex.: 02.02.00408

COD.	MODEL	W	H	D	FIREBOX	POSITION
02.02.00408	PORTABLE PARRILLA CARBON P25	138cm	120cm	66cm	20cm	CENTRAL
02.02.00407	PORTABLE PARRILLA CARBON P25	138cm	175cm	66cm	20cm	CENTRAL
02.02.00406	PORTABLE PARRILLA CARBON P25	138cm	175cm	66cm	20cm	CENTRAL



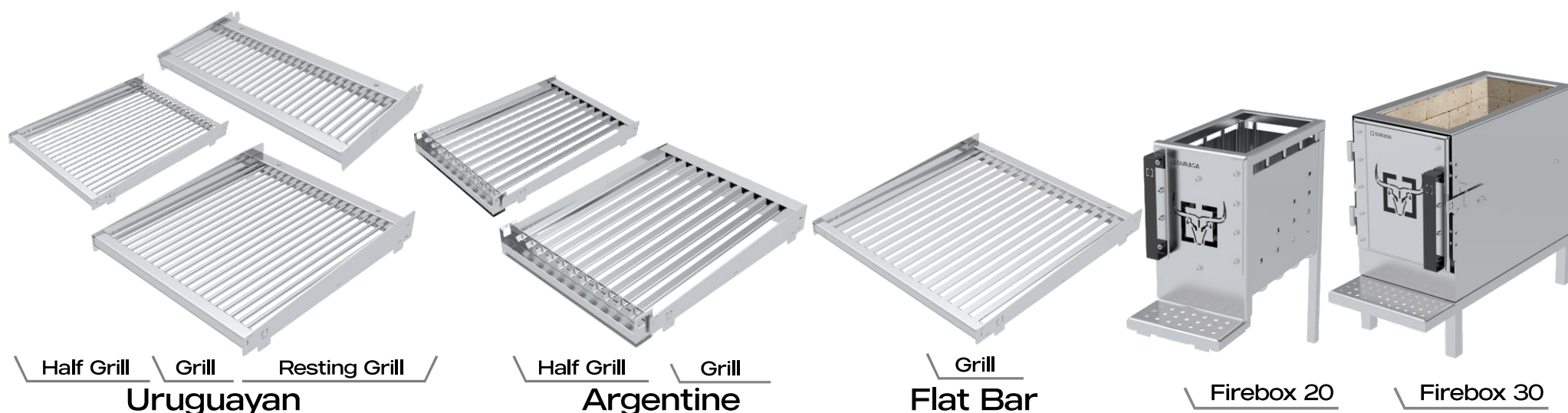
// ACCESSORY



MODEL
// ACCESSORY

COMPATIBLE ONLY WITH THE PARRILLA CHROMA P25.

The DURASA accessories are made of **stainless steel 304** and can be used for various preparations.



For product identification, use COD.

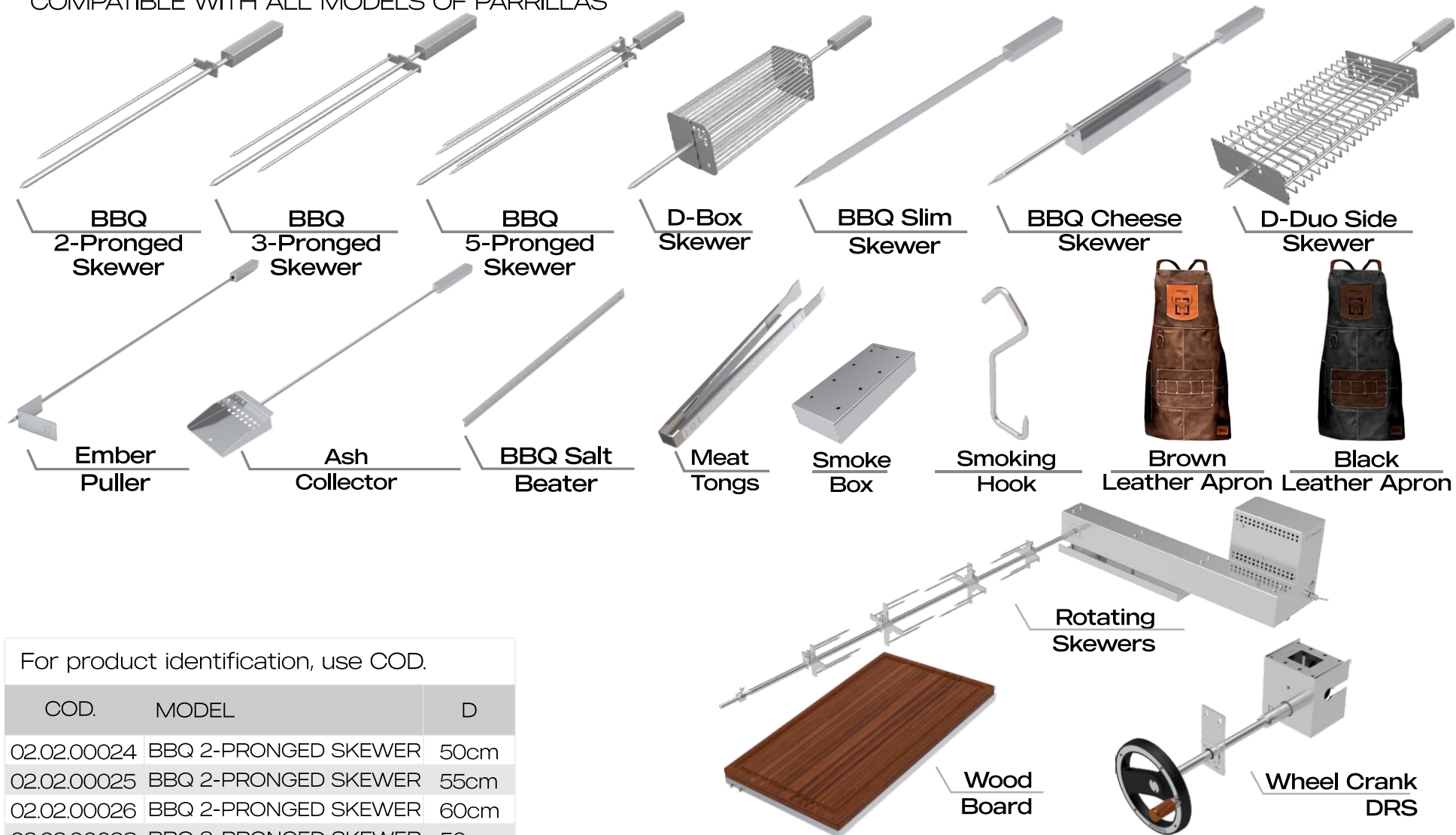
COD.	MODEL	W	H	D	COD.	MODEL	W	H	D
02.02.00187	HALF URUGUAYAN GRILL	27cm	5cm	58cm	02.02.00179	HALF ARGENTINE GRILL	27cm	5cm	58cm
02.02.00188	HALF URUGUAYAN GRILL	33cm	5cm	58cm	02.02.00180	HALF ARGENTINE GRILL	33cm	5cm	58cm
02.02.00614	HALF URUGUAYAN GRILL	39cm	5cm	58cm	02.02.00732	HALF ARGENTINE GRILL	39cm	5cm	58cm
02.02.00338	URUGUAYAN GRILL	45cm	5cm	58cm	02.02.00181	ARGENTINE GRILL	45cm	5cm	58cm
02.02.00692	URUGUAYAN GRILL	54cm	5cm	58cm	02.02.00323	ARGENTINE GRILL	54cm	5cm	58cm
02.02.00191	URUGUAYAN GRILL	66cm	5cm	58cm	02.02.00183	ARGENTINE GRILL	66cm	5cm	58cm
02.02.00192	URUGUAYAN GRILL	77cm	5cm	58cm	02.02.00184	ARGENTINE GRILL	77cm	5cm	58cm
02.02.00193	URUGUAYAN GRILL	88cm	5cm	58cm	02.02.00185	ARGENTINE GRILL	88cm	5cm	58cm
02.02.00194	URUGUAYAN GRILL	108cm	5cm	58cm	02.02.00758	ARGENTINE GRILL	108cm	5cm	58cm
02.02.00760	URUGUAYAN RESTING GRILL	27cm	5cm	24,4cm	COD.	MODEL	W	H	D
02.02.00721	URUGUAYAN RESTING GRILL	33cm	5cm	24,4cm	02.02.00203	FLAT BAR GRILL	43cm	5cm	58cm
02.02.00759	URUGUAYAN RESTING GRILL	54cm	5cm	24,4cm	02.02.00204	FLAT BAR GRILL	54cm	5cm	58cm
02.02.00334	URUGUAYAN RESTING GRILL	47,7cm	5cm	24,4cm	02.02.00205	FLAT BAR GRILL	66cm	5cm	58cm
02.02.00761	URUGUAYAN RESTING GRILL	59,2cm	5cm	24,4cm	02.02.00206	FLAT BAR GRILL	77cm	5cm	58cm
02.02.00762	URUGUAYAN RESTING GRILL	70,7cm	5cm	24,4cm	02.02.00207	FLAT BAR GRILL	88cm	5cm	58cm
02.02.00602	URUGUAYAN RESTING GRILL	82,2cm	5cm	24,4cm	02.02.00763	FLAT BAR GRILL	108cm	5cm	58cm
02.02.00390	URUGUAYAN RESTING GRILL	93,7cm	5cm	24,4cm					
02.02.00198	URUGUAYAN RESTING GRILL	113,7cm	5cm	24,4cm					
COD.	MODEL								
02.02.00284	FIREBOX 20CM PARRILLA P25						20cm	30cm	61cm
02.02.00693	FIREBOX 30CM WITH INSULATION PARRILLA P25/P30						30cm	40cm	69cm
02.02.00744	FIREBOX CUSTOMIZATION						-	-	-



MODEL
// ACCESSORY

COMPATIBLE WITH ALL MODELS OF PARRILLAS

The DURASA accessories are made of **stainless steel 304** and can be used for various preparations.



For product identification, use COD.

COD.	MODEL	D
02.02.00024	BBQ 2-PRONGED SKEWER	50cm
02.02.00025	BBQ 2-PRONGED SKEWER	55cm
02.02.00026	BBQ 2-PRONGED SKEWER	60cm
02.02.00028	BBQ 3-PRONGED SKEWER	50cm
02.02.00029	BBQ 3-PRONGED SKEWER	55cm
02.02.00030	BBQ 3-PRONGED SKEWER	60cm
02.02.00032	BBQ 5-PRONGED SKEWER	50cm
02.02.00033	BBQ 5-PRONGED SKEWER	55cm
02.02.00034	BBQ 5-PRONGED SKEWER	60cm
02.02.00038	D-BOX SKEWER	50cm
02.02.00393	D-BOX SKEWER	55cm
02.02.00040	D-BOX SKEWER	60cm
02.02.00020	BBQ SLIM SKEWER	50cm
02.02.00021	BBQ SLIM SKEWER	55cm
02.02.00022	BBQ SLIM SKEWER	60cm
02.02.00035	BBQ CHEESE SKEWER	50cm
02.02.00036	BBQ CHEESE SKEWER	60cm
02.02.00041	D-DUO SIDE SKEWER	55cm

For product identification, use COD.

COD.	MODEL	W	H	D
02.02.00177	EMBER PULLER	11cm	4cm	92cm
02.02.00175	ASH COLLECTOR	13.1cm	-	95cm
02.02.00686	BBQ SALT BEATER	2cm	-	63cm
02.02.00306	MEAT TONGS	4.3cm	2.8cm	52cm
02.02.00178	SMOKE BOX	9cm	4cm	20cm
02.02.00176	SMOKING HOOK	5cm	15.9cm	-
13.02.00314	BROWN LEATHER APRON	-	-	-
13.02.00315	BLACK LEATHER APRON	-	-	-
02.02.00781	WHEEL CRANK DRS	20cm	20cm	48cm
13.02.00219	WOOD BOARD - PORTABLE PARRILLA CHROMA	54.7cm	2.25cm	32cm
SOB CONSULTA	ROTATING SKEWERS	124cm	21cm	62cm



// HOOD



MODEL
// CUBE



To identify the product, use the CODE + Standard of finish (S. F.). Ex: 02.02.00099

MODEL	W	H	D	COD.	STANDARD OF FINISH (S. F.)		INCLUDED IN THE DELIVERY OF THIS EQUIPMENT
					CHROMA	BLACK	
CUBE HOOD	72.5cm	60cm	70cm	02.02.	00099	00124	EXHAUST + INERTIAL FILTER + LIGHTING
			80cm		00100	00125	
CUBE HOOD	84.5cm	60cm	70cm	02.02.	00101	00126	EXHAUST + INERTIAL FILTER + LIGHTING
			80cm		00102	00127	
CUBE HOOD	96.5cm	60cm	70cm	02.02.	00103	00128	EXHAUST + INERTIAL FILTER + LIGHTING
			80cm		00104	00129	
CUBE HOOD	108.5cm	60cm	70cm	02.02.	00105	00130	EXHAUST + INERTIAL FILTER + LIGHTING
			80cm		00106	00131	
CUBE HOOD	116.8cm	60cm	70cm	02.02.	00107	00132	EXHAUST + INERTIAL FILTER + LIGHTING
			80cm		00108	00133	
CUBE HOOD	128.4cm	60cm	70cm	02.02.	00109	00134	EXHAUST + INERTIAL FILTER + LIGHTING
			80cm		00110	00136	
CUBE HOOD	140cm	60cm	70cm	02.02.	00111	00138	EXHAUST + INERTIAL FILTER + LIGHTING
			80cm		00112	00139	
CUBE HOOD	151.6cm	60cm	70cm	02.02.	00114	00140	EXHAUST + INERTIAL FILTER + LIGHTING
			80cm		00115	00141	

*EXTERNAL CHIMNEY NOT INCLUDED

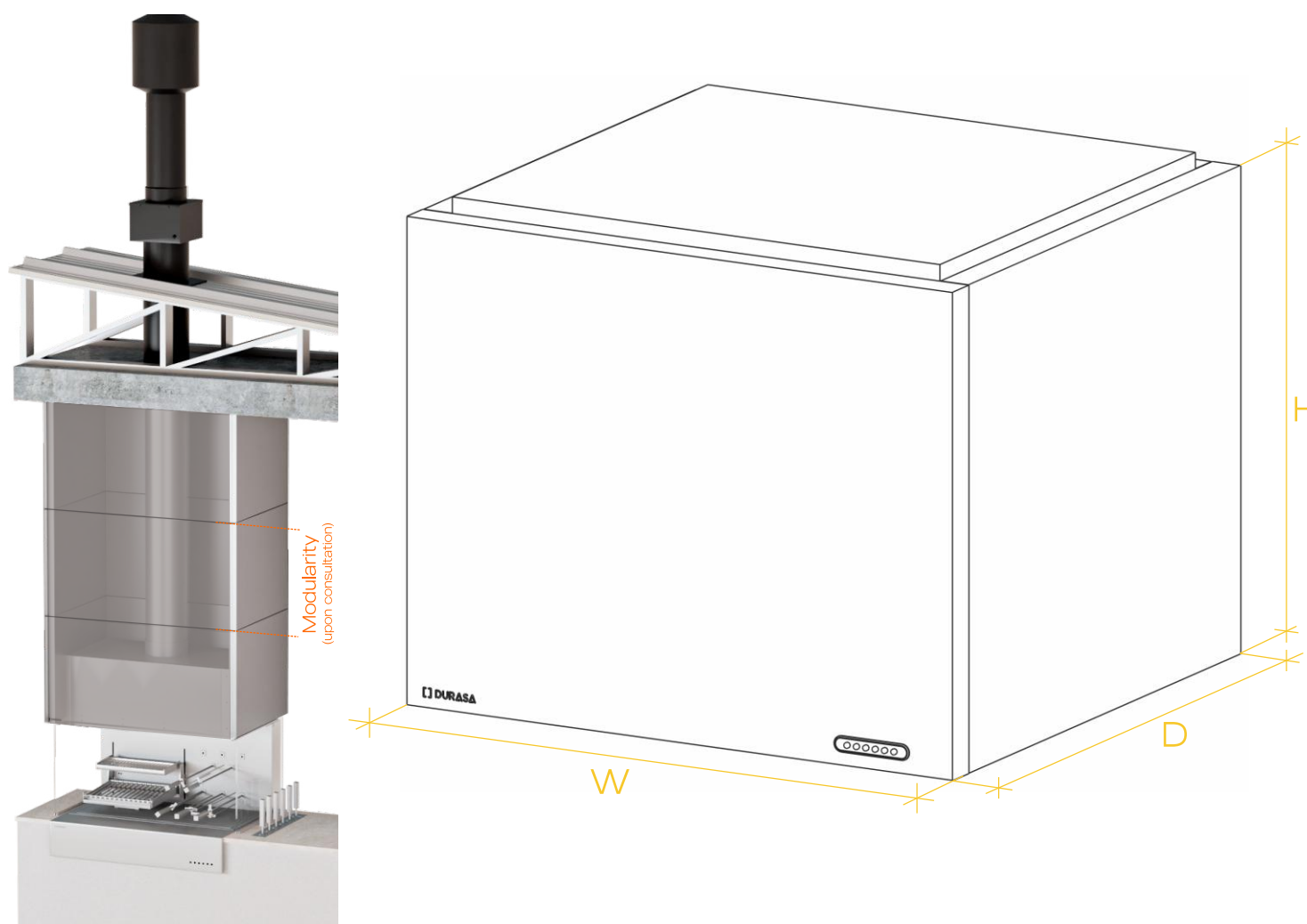
The Cube Range Hood enhances the kitchen's aesthetic appeal and eliminates unwanted odors, keeping the environment clean and pleasant. It's indispensable! Whether to rescue the kitchen on days when culinary disasters happen or to remove steam, smoke, and grease when cooking.

The Cube Range Hood is made of **stainless steel 304** with brushed or special paint finish, **available in various standard sizes, and can accommodate custom height specifications through modular options (upon consultation)** for the front panel, creating a modern and imposing design for wall-mounted hoods. It can be used with products such as **parrilla grills, traditional stoves, and wood stoves.**

The key to its efficiency lies in its design. The hood features an **innovative inertial filter** that uses a gutter system to separate grease particles and other solid residues from the airflow, which is **removable for easy cleaning.**

It also includes an **efficient exhaust system** with 3 speeds that ensure optimal extraction rate. The combination of insulated duct and motor outside the kitchen ensures **powerful yet silent** operation. Additionally, the **lighting system** provides exceptional visibility during meal preparation.

When added exclusively to the DURASA grill, it can be controlled via remote control or app + LCD panel.



*EXTERNAL CHIMNEY NOT INCLUDED

Access our profile at the link below and download the desired model.

 3D Warehouse

3dwarehouse.sketchup.com/by/durasadesign

WATCH THE VIDEO
OF THIS MODEL.



MODEL
// SLIM



To identify the product, use the COD + Finish Standard (F. S.). Ex: 02.02.00707

MODEL	W	H	D	COD.	FINISH STANDARD (F. S.)		DUCT LENGTH (D. L.)	DUCT DIAMETER (D.D.)	INCLUDED IN THE DELIVERY OF THIS EQUIPMENT
					CHROMA	BLACK			
SLIM HOOD	60cm	26.4cm	50cm	02.02.	00707	00149	1m	18cm	INERTIAL FILTER + LIGHTING + EXHAUST + 1M DUCT
			60cm		00708	00150			
SLIM HOOD	70cm	26.4cm	50cm	02.02.	00709	00151	1m	18cm	INERTIAL FILTER + LIGHTING + EXHAUST + 1M DUCT
			60cm		00710	00152			
SLIM HOOD	80cm	26.4cm	50cm	02.02.	00711	00153	1m	18cm	INERTIAL FILTER + LIGHTING + EXHAUST + 1M DUCT
			60cm		00712	00154			
SLIM HOOD	90cm	26.4cm	50cm	02.02.	00713	00155	1m	18cm	INERTIAL FILTER + LIGHTING + EXHAUST + 1M DUCT
			60cm		00714	00156			

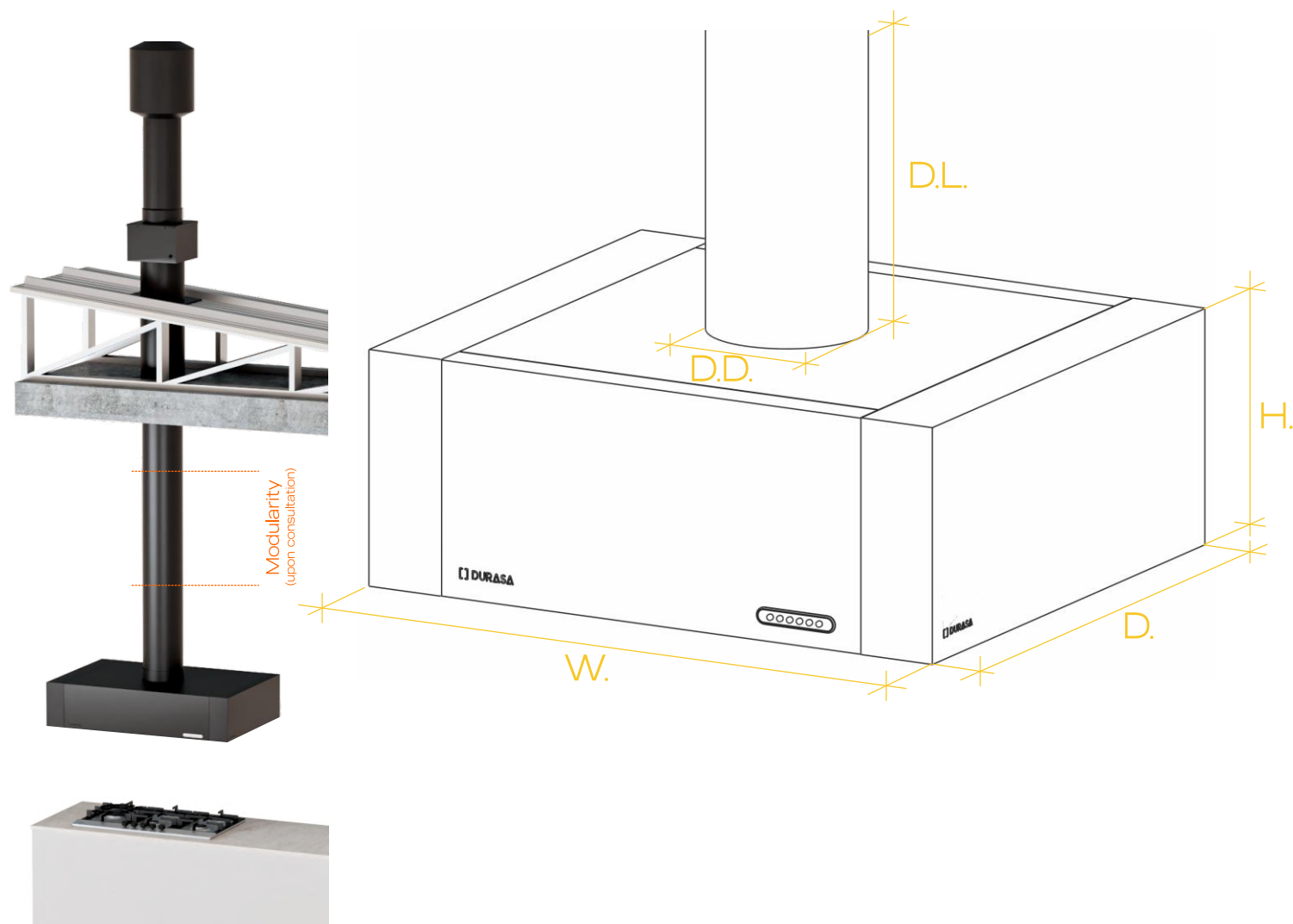
*EXTERNAL CHIMNEY NOT INCLUDED

The Slim range hood enhances the kitchen aesthetically and eliminates unwanted odors, keeping the environment clean and pleasant. It's indispensable! Whether to save the kitchen on days when culinary disasters happen or to remove steam, smoke, and grease when preparing food.

The Slim hood is made of **stainless steel 304** with brushed finish or special paint, available in **a variety of standard sizes, and can accommodate custom height specifications (upon consultation)** with a modern and minimalist design. Additionally, it can be **used over traditional stoves and wood stoves for island hoods**.

The secret to its efficiency lies in its design. The hood features an **innovative inertial filter** that uses a gutter system to separate grease particles and other solid residues from the airflow, which is **removable for easy cleaning**. It also includes an **efficient exhaust system** with 3 speeds that ensure optimal extraction rate.

The combination of insulated duct and motor outside the cooking area results in a **powerful and quiet** product. Moreover, the **lighting system** provides exceptional visibility during meal preparation.



Modularity
(upon consultation)

*EXTERNAL CHIMNEY NOT INCLUDED

Access our profile at the link below and download the desired model.

 3D Warehouse

3dwarehouse.sketchup.com/by/durasadesign

WATCH THE VIDEO
OF THIS MODEL.





// PORTABLE



GOURMET
FAMILY

PORTABLE
LINE

MODEL
// PORTABLE GRILL



COD. INCLUDED IN THE DELIVERY OF THIS EQUIPMENT:

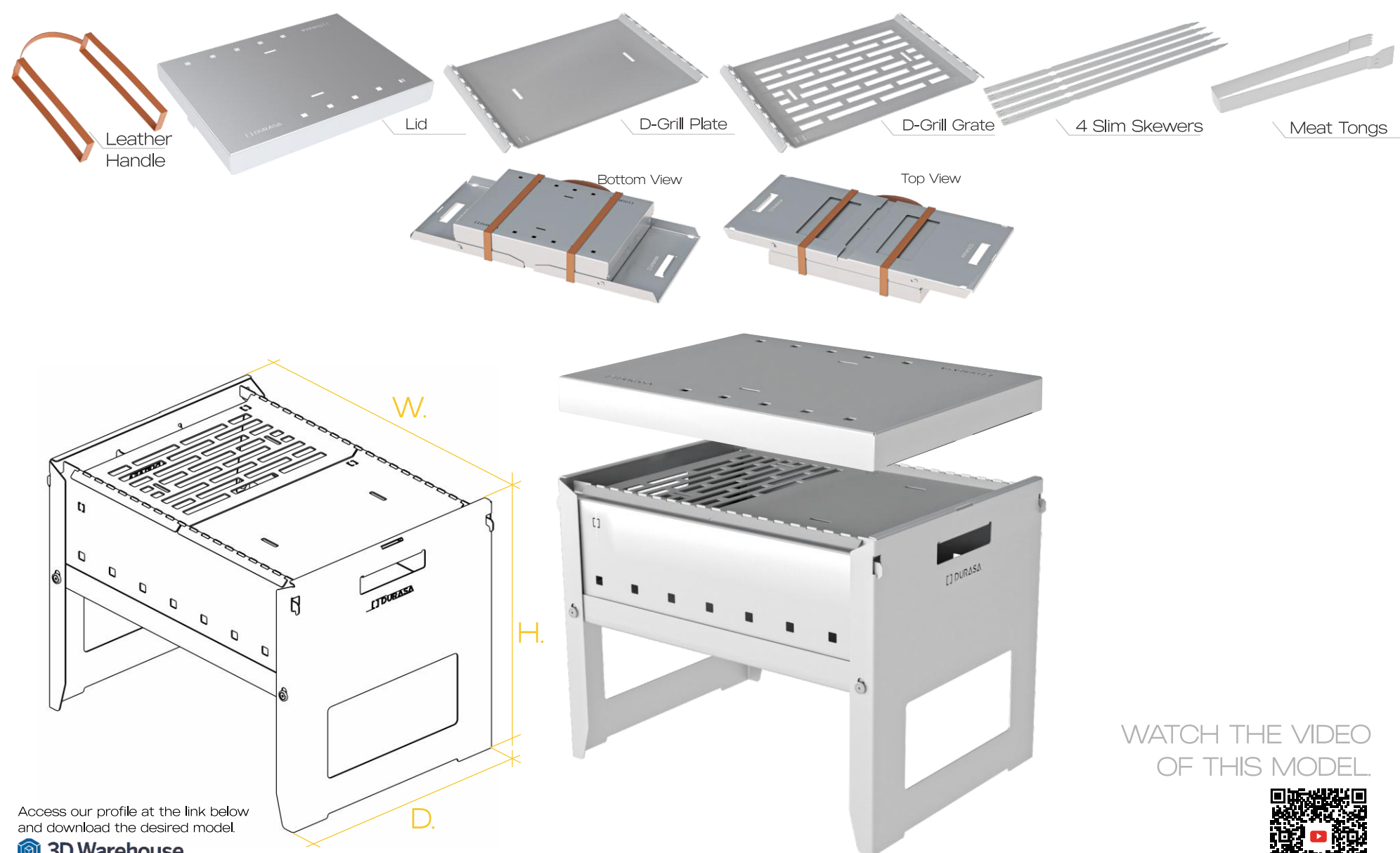
02.02.00795 | 01 WHEEL CRANK + 01 LID + 01 D-GRILL PLATE + 01 D-GRILL GRATE + 04 SLIM SKEWERS + 01 MEAT TONGS

The **Portable Grill** stands out for its unique design and functionality, offering **unparalleled mobility** thanks to its intuitive and **efficient assembly and disassembly system**.

Constructed in **stainless steel 304**, the portable **grill is durable and resistant**, ensuring years of use without compromising its structural integrity. Equipped with a leather handle, air regulator, D-Grill plate, D-Grill grate, 4 Slim skewers, and meat tongs. It emphasizes quality and hygiene in food preparation.

Compact and easy to transport with its handle, it is the perfect companion for those seeking **an authentic grilling experience anywhere**, combining convenience and performance to elevate culinary standards wherever you go.

Its charcoal operation is optimized by the **cross-ventilation system**, which allows for even distribution of air and enhances combustion, resulting in reduced fuel consumption and consequently shorter food preparation times.



WATCH THE VIDEO
OF THIS MODEL



Access our profile at the link below
and download the desired model.

 **3D Warehouse**

3dwarehouse.sketchup.com/by/durasadesign

For product identification, use COD. Ex.: 02.02.00795

COD.	MODEL	W	H	D
02.02.00795	PORTABLE GRILL	40cm	32cm	30cm



// GOURMET MODULE



GOURMET
FAMILY

PORTABLE
LINE

MODEL
// GOURMET MODULE



COD.	INCLUDED IN THE DELIVERY OF THIS EQUIPMENT
UPON CONSULTATION	MODULE + LID + LIGHTING + BRAZIERE + GRILL + RANGE HOOD + EXHAUST + FURNITURE + SINK + TELEVISION
UPON CONSULTATION	MODULE + LID + LIGHTING + BRAZIERE + GRILL + RANGE HOOD + EXHAUST + FURNITURE + SINK + TELEVISION + MINI FRIDGE
UPON CONSULTATION	MODULE + LID + LIGHTING + BRAZIERE + GRILL + RANGE HOOD + EXHAUST + FURNITURE + SINK + TELEVISION + MINI FRIDGE

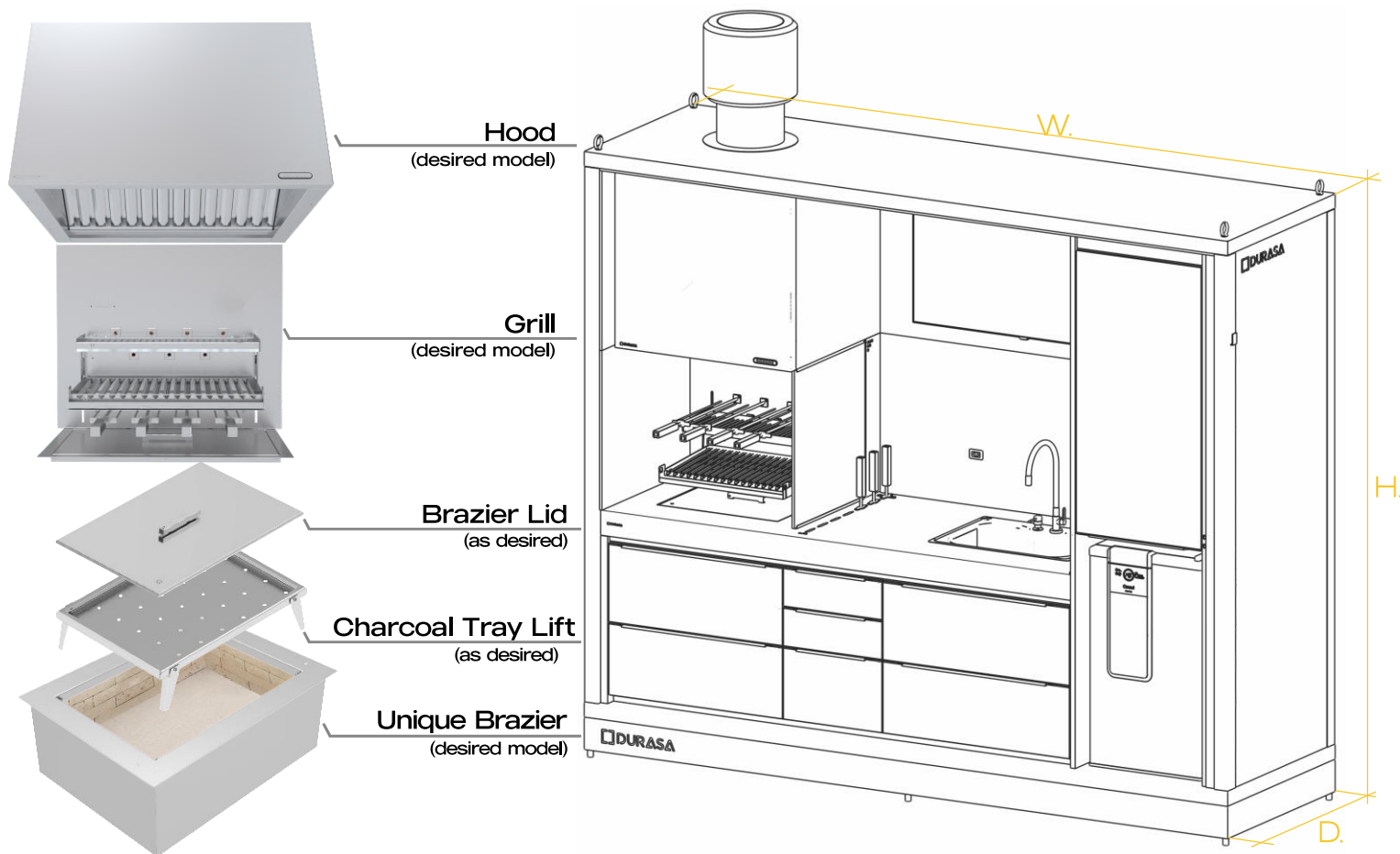
Imagine having your own gourmet space to use in the city, beach, or countryside, without compromising on flavor or fun.

A national exclusive, the Gourmet Module is a **ready-made solution available in 3 different sizes and configurations chosen** by the customer, including barbecue model, range hood, fireplace, and finishes (items upon consultation).

Other details such as furniture layout, colors, and finishing materials can be customized.

Built with steel structure, it features corrosion protection, PIR insulated panel closure (fire-resistant material), special paint, and elements for easy lifting and transportation.

One of its key features is the hinged lid system, which has a **hermetic seal**, soft-close mechanism, and built-in lighting. This not **only protects it when closed but** also enhances comfort and usability during use. The Gourmet Module is perfect for barbecue enthusiasts, enjoying cold beer, and moments of relaxation.



WATCH THE VIDEO
OF THIS MODEL.



Access our profile at the link below
and download the desired model.

 3D Warehouse

3dwarehouse.sketchup.com/by/durasadesign

For product identification, use COD.

COD.	MODEL	W	H	D
UPON CONSULTATION	GOURMET MODULE	1.90m	2.35m	85cm
UPON CONSULTATION	GOURMET MODULE	2.80m	2.35m	85cm
UPON CONSULTATION	GOURMET MODULE	3.70m	2.35m	85cm



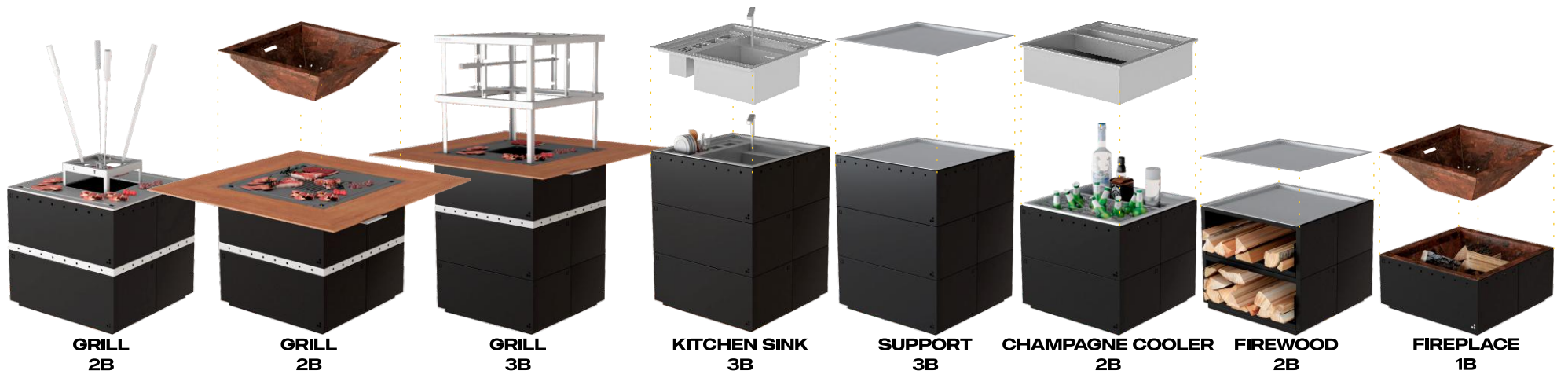
// PORTABLE STATION



GOURMET
FAMILY

PORTABLE
LINE

MODEL
// PORTABLE STATION



COD.

UPON CONSULTATION

Get ready for a new experience with **modular products**.

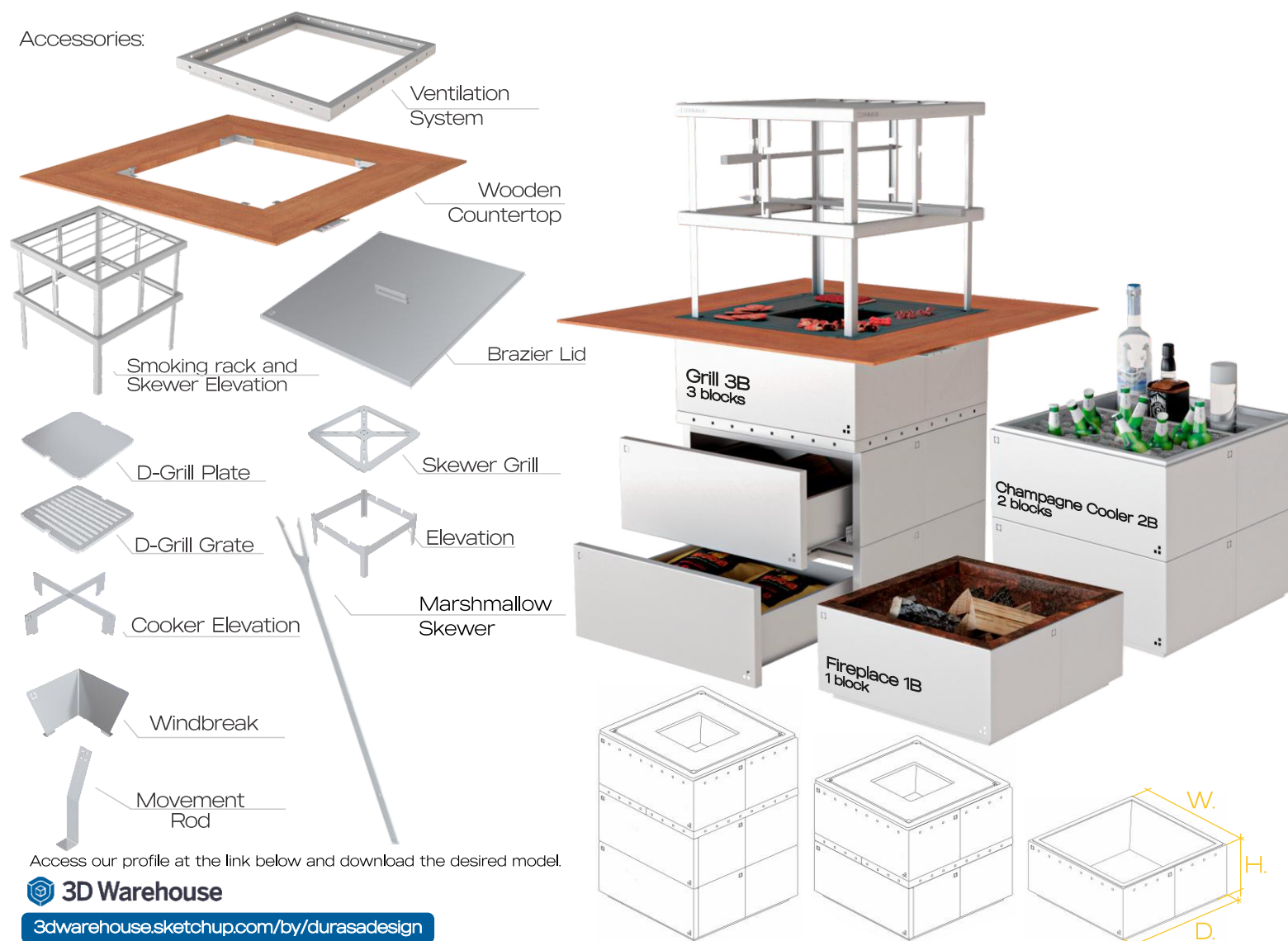
An exclusive from DURASA, the Portable Station combines innovative design with functionality, consisting of modules that can be used as **separate pieces or stacked, either independently or grouped in an island setup with various uses (items upon consultation)**.

The modules are made of polished **stainless steel 304 or carbon steel with special high-temperature paint** in different configurations, designed to fit together perfectly and create diversity in their compositions.

Ideal for sharing the grilling experience with friends, the Barbecue Station brings autonomy to each user. To create the ideal setup, **various accessories are offered** to make the experience even more enjoyable.

One such accessory is the wooden countertop. It can be added to the module and serves as a support for preparing food on the D-Grill plate and consuming it on the countertop. The blocks are designed either fixed or in drawer format. For height adjustment, simply stack the pieces. Its charcoal or wood operation is optimized by the **cross-ventilation system** that enhances combustion.

Accessories:



Access our profile at the link below and download the desired model.

3D Warehouse

3dwarehouse.sketchup.com/by/durasadesign

WATCH THE VIDEO OF THIS MODEL



To identify the product, use the COD.

COD.	MODEL	W	H	D
UPON CONSULTATION	PORTABLE STATION	70cm	30cm	70cm



// LIVING
FAMILY

The Living family combines elegance with functionality in fireplaces of different types and sizes, offering sophisticated design to enhance the refinement and well-being of any space.



// FIREPLACE



MODEL
// **SUSPENDED ORBIT**



02.03.00019



02.03.00020



02.03.00021

COD.	INCLUDED IN THE DELIVERY OF THIS EQUIPMENT:
02.03.00019	01 CIRCULAR METAL BASE + 01 DAMPER CONTROL + 01 FIREWOOD ELEVATION SYSTEM + 03 METER DUCT TUBING
02.03.00020	01 CIRCULAR METAL BASE + 01 DAMPER CONTROL + 01 FIREWOOD ELEVATION SYSTEM + 03 METER DUCT TUBING
02.03.00021	01 CIRCULAR METAL BASE + 01 DAMPER CONTROL + 01 FIREWOOD ELEVATION SYSTEM + 03 METER DUCT TUBING

*EXTERNAL CHIMNEY NOT INCLUDED

It serves as a heater, the Suspended Orbit Fireplace is a true work of art, instantly elevating the style and elegance of any space. Its **modern and minimalist** design adds a touch of **sophistication** to any environment, making it not only a source of warmth but also an aesthetic focal point.

The Suspended Orbit Fireplace provides **high heat output** to warm even the largest spaces and offers the **flexibility of 360-degree rotation**. This allows you to direct the heat and beauty of the flame wherever you want, creating an **immersive and cozy atmosphere**.

Available in 3 sizes, it is made of carbon steel with special high-temperature paint. Its features include a **double-layer duct for thermal insulation**, adjustable height damper to control airflow, and a firewood elevation system that enhances air circulation for more efficient burning.

The heating system primarily uses wood, and for flexibility, it can also incorporate the **Eco-Circle 32.5cm or Eco-Flame 80cm eco-friendly fireplace (available upon request)**, providing an elegant and modern heating solution that combines contemporary style with environmentally conscious functionality. The circular metal base protects the floor, preventing stains and discoloration.

OPTIONAL ACCESSORIES



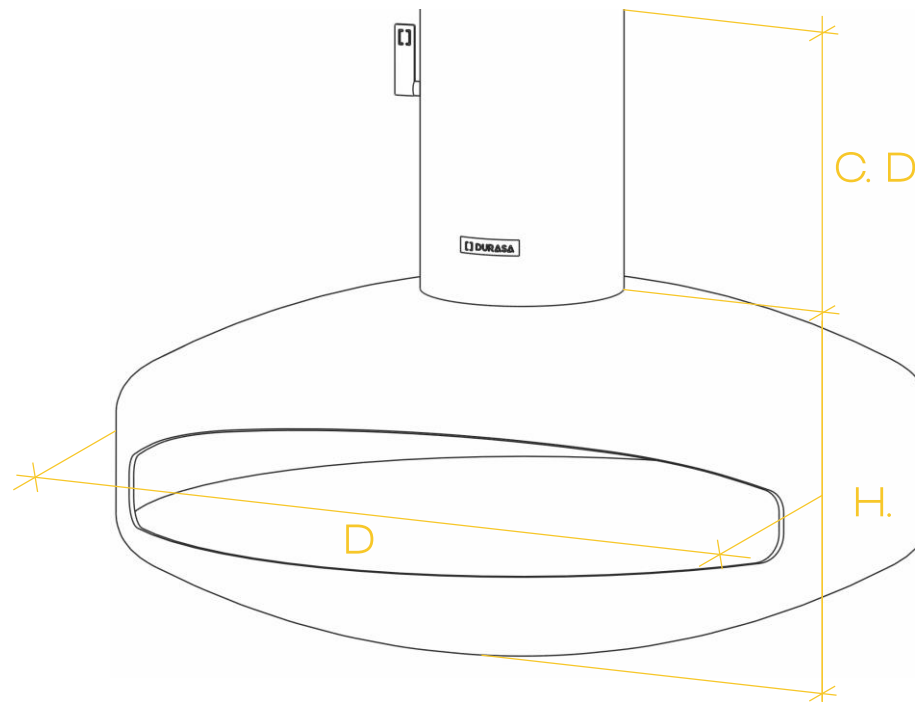
**ECO-Circle
Fireplace 32,5**
UPON CONSULTATION



**ECO-Flame
Fireplace 80**
UPON CONSULTATION



**Firewood
Rack**
30cm x 70cm x 25cm
02.03.00022



**Firewood
Elevation System**



**Circular Metal
Base**



WATCH THE VIDEO
OF THIS MODEL



Access our profile at the link below
and download the desired model.

 **3D Warehouse**

3dwarehouse.sketchup.com/by/durasadesign

To identify the product, use the COD and CEILING FIXATION SUPPORT. Example: 02.03.00019 and 02.03.00030.

MODEL	D	H	DUCT LENGTH (D. L.)	COD.	CEILING FIXATION SUPPORT
SUSPENDED ORBIT FIREPLACE BLACK 60cm	60cm	26cm	3m	02.03.00019	02.03.00030 - SUPPORT FOR 60cm
SUSPENDED ORBIT FIREPLACE BLACK 80cm	80cm	30cm	3m	02.03.00020	02.03.00031 - SUPPORT FOR 80cm
SUSPENDED ORBIT FIREPLACE BLACK 100cm	100cm	44cm	3m	02.03.00021	02.03.00032 - SUPPORT FOR 100cm

LIVING
FAMILY

FIREPLACE
LINE

MODEL
// **GÁS-FLAME**



COD	INCLUDED IN THE DELIVERY OF THIS EQUIPMENT
02.03.00011	VOLCANIC ROCKS
02.03.00012	VOLCANIC ROCKS
02.03.00013	VOLCANIC ROCKS
02.03.00014	VOLCANIC ROCKS
02.03.00015	VOLCANIC ROCKS

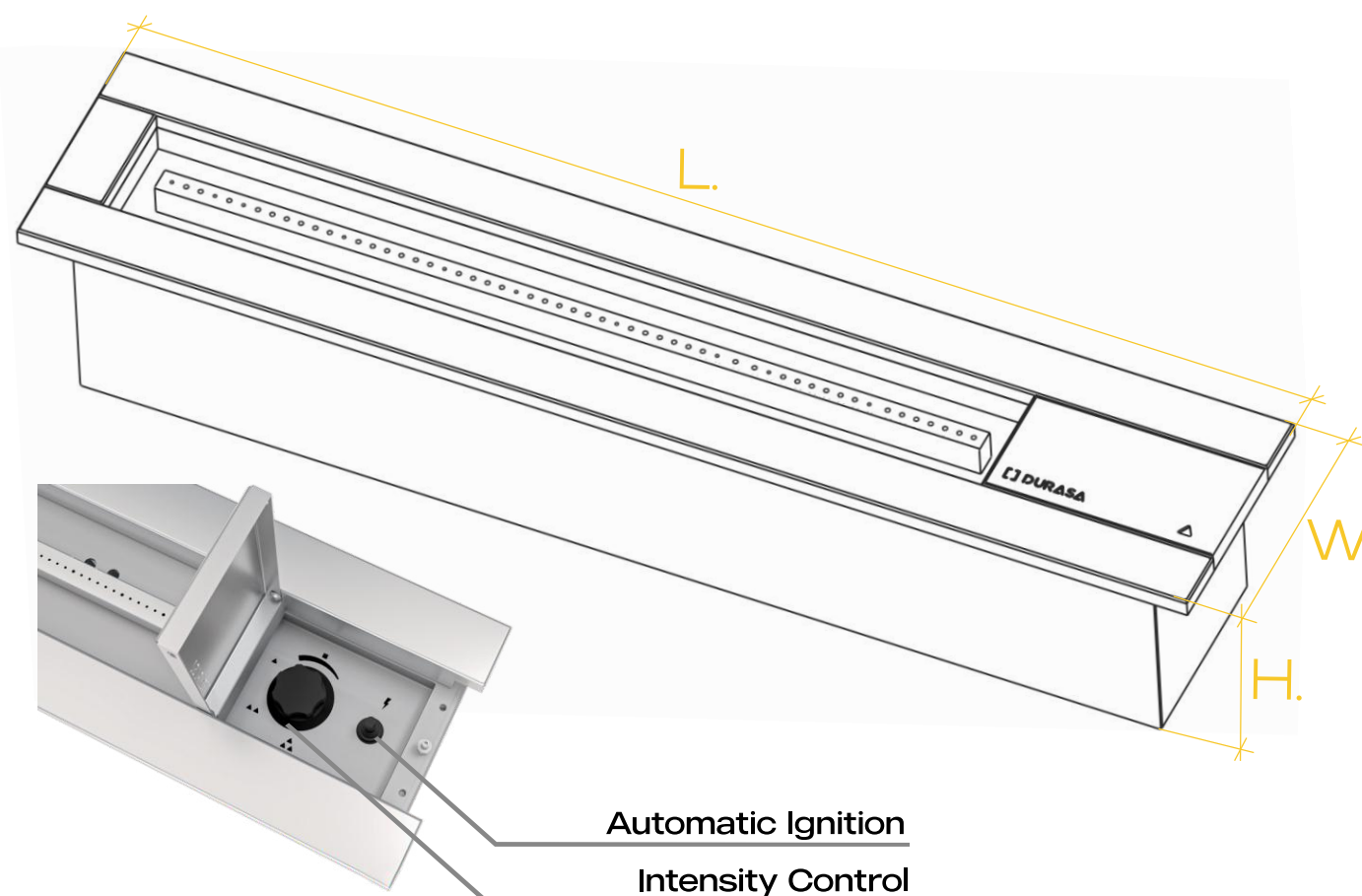
The Gas-Flame Fireplace is perfect for creating a warm and cozy environment without worrying about dirt, smoke, and ashes. Just turn it on and enjoy the moment.

With a modern design, it's made of **polished stainless steel 304** with **gas supply** and provides high heat output. It comes with volcanic stones to create a more realistic flame and a natural warmth sensation.

Available in a **wide range of standard sizes**, it features an **intelligent system for even flame distribution**, regardless of the **length**.

One of its main advantages is ease of operation. Equipped with intuitive **controls and automatic ignition**, it allows you to **easily adjust the flame intensity** and desired temperature with a simple touch of a button.

It also includes a **safety system that completely shuts off the gas supply** if the flame goes out.



WATCH THE VIDEO
OF THIS MODEL



Access our profile at the link below
and download the desired model.

 3D Warehouse

3dwarehouse.sketchup.com/by/durasadesign

To identify the product, use COD Ex: 02.03.00011.

COD	MODEL	L	W	H	FUELING	ACTIVATION	EQUIPMENT ACTIVATION
02.03.00011	GAS-FLAME FIREPLACE	80cm	20.1cm	18.5cm	LPG or NG	IGNITION	 REMOTE CONTROL FOR GAS-FLAME FIREPLACE UPON CONSULTATION
02.03.00012	GAS-FLAME FIREPLACE	100cm	20.1cm	18.5cm	LPG or NG	IGNITION	
02.03.00013	GAS-FLAME FIREPLACE	120cm	20.1cm	18.5cm	LPG or NG	IGNITION	
02.03.00014	GAS-FLAME FIREPLACE	140cm	20.1cm	18.5cm	LPG or NG	IGNITION	
02.03.00015	GAS-FLAME FIREPLACE	160cm	20.1cm	18.5cm	LPG or NG	IGNITION	

LIVING
FAMILY

FIREPLACE
LINE

MODEL
// **ECO-FLAME**



02.03.00005

02.03.00006

02.03.00007

02.03.00008

02.03.00009

02.03.00010

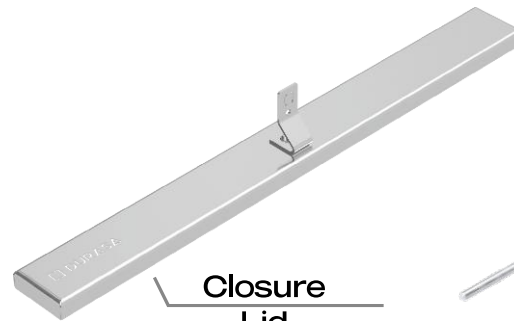
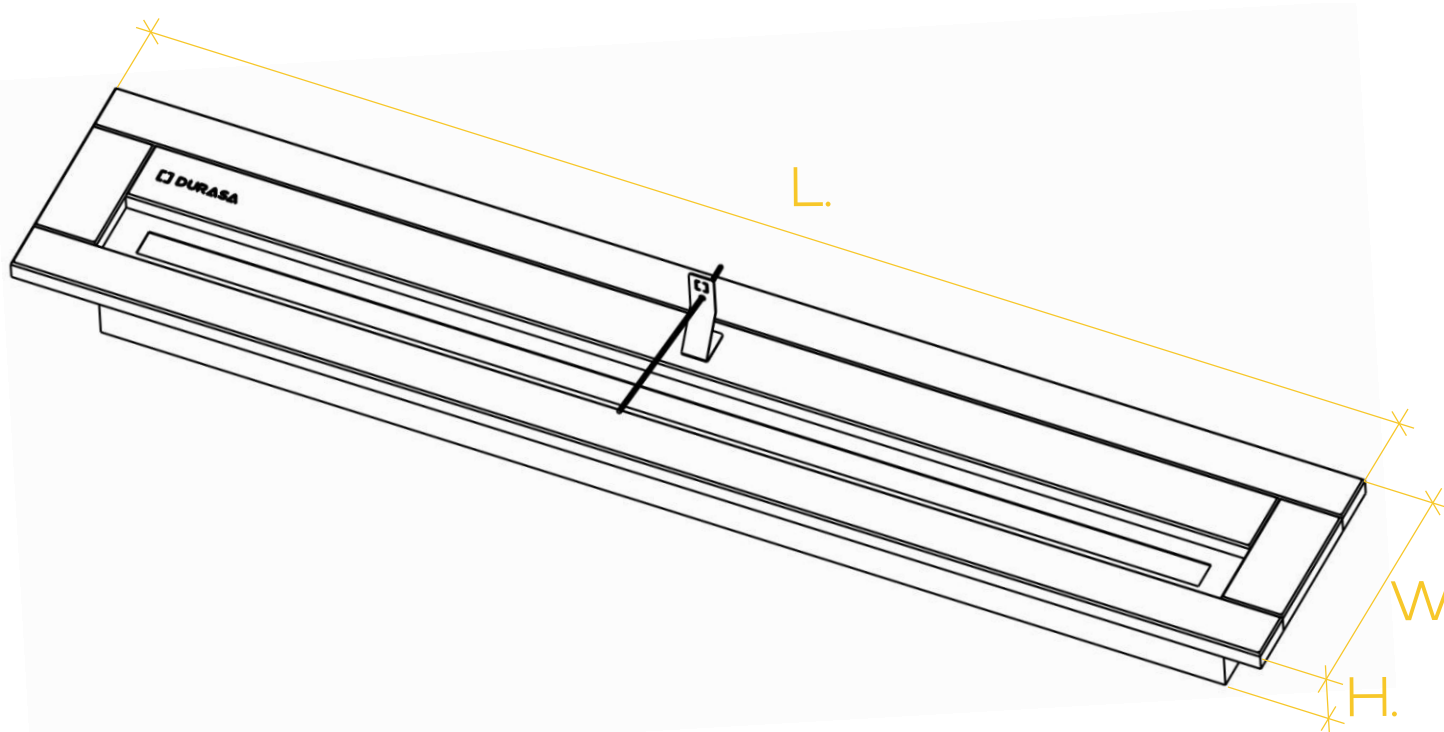
COD	INCLUDED IN THE DELIVERY OF THIS EQUIPMENT
02.03.00005	01 CLOSURE LID + 01 MOVEMENT ROD + ABSORBENT PAD
02.03.00006	01 CLOSURE LID + 01 MOVEMENT ROD + ABSORBENT PAD
02.03.00007	01 CLOSURE LID + 01 MOVEMENT ROD + ABSORBENT PAD
02.03.00008	02 CLOSURE LIDS + 02 MOVEMENT RODS + ABSORBENT PADS
02.03.00009	02 CLOSURE LIDS + 02 MOVEMENT RODS + ABSORBENT PADS
02.03.00010	02 CLOSURE LIDS + 02 MOVEMENT RODS + ABSORBENT PADS

The ECO-Flame Fireplace is perfect for heating both indoor and outdoor environments, providing coziness and elegance.

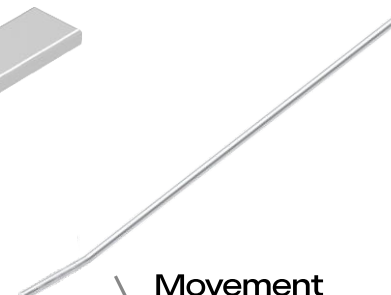
With an exclusive design, it is made of **polished 304 stainless steel** and uses **ethyl alcohol** as fuel. It is equipped with an **absorbent pad that prolongs the flame duration and enhances its efficiency.**

The ecological models feature closing lids and a rod for removing or moving them and avoiding direct contact with the fire, thereby promoting **greater safety.**

One of the **main advantages of this fireplace is the ease of installation, as it can use fixed or mobile bases** and does not require a chimney.



Closure Lid



Movement Rod

WATCH THE VIDEOS OF THIS MODEL.



Access our profile at the link below and download the desired model.

 3D Warehouse

3dwarehouse.sketchup.com/by/durasadesign

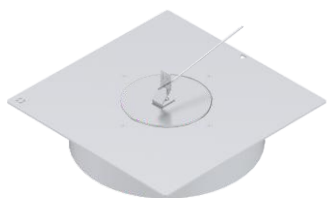
To identify the product, use the COD. Ex: 02.03.00005

COD	MODEL	L	W	H	COMBUSTION BOX	FUELING	STORAGE
02.03.00005	ECO-FLAME FIREPLACE	60cm	20.5cm	9.7cm	01 BOX	ETHYL ALCOHOL	3,5 LITERS
02.03.00006	ECO-FLAME FIREPLACE	80cm	20.5cm	9.7cm	01 BOX	ETHYL ALCOHOL	4,5 LITERS
02.03.00007	ECO-FLAME FIREPLACE	100cm	20.5cm	9.7cm	01 BOX	ETHYL ALCOHOL	5,5 LITERS
02.03.00008	ECO-FLAME FIREPLACE	120cm	20.5cm	9.7cm	02 BOXES	ETHYL ALCOHOL	7 LITERS
02.03.00009	ECO-FLAME FIREPLACE	160cm	20.5cm	9.7cm	02 BOXES	ETHYL ALCOHOL	9 LITERS
02.03.00010	ECO-FLAME FIREPLACE	200cm	20.5cm	9.7cm	02 BOXES	ETHYL ALCOHOL	11 LITERS

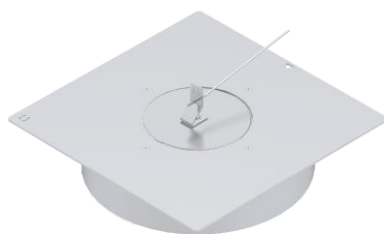
LIVING
FAMILY

FIREPLACE
LINE

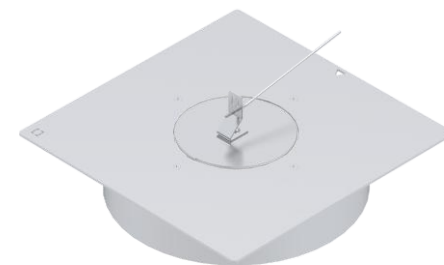
MODEL
// **ECO-SQUARE**



02.03.00002



02.03.00003



02.03.00036

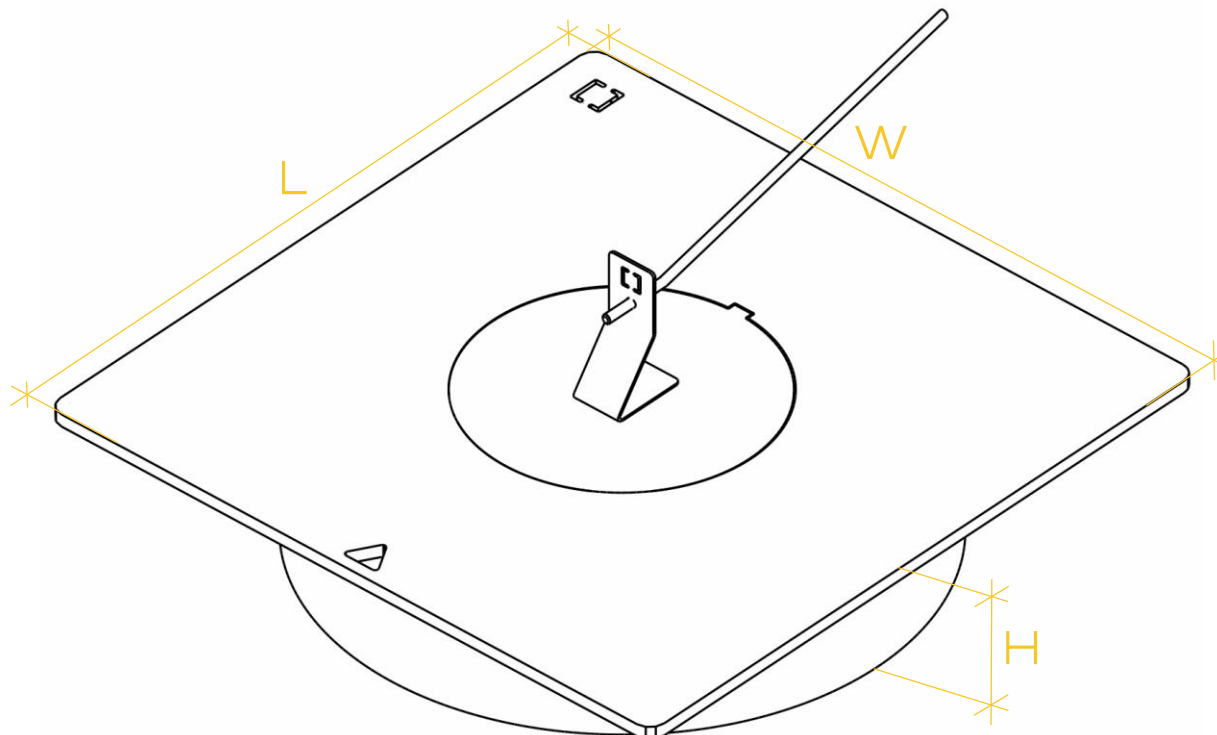
COD	INCLUDED IN THE DELIVERY OF THIS EQUIPMENT
02.03.00002	01 CLOSURE LID + 01 MOVEMENT ROD + ABSORBENT PAD
02.03.00003	01 CLOSURE LID + 01 MOVEMENT ROD + ABSORBENT PAD
02.03.00036	01 CLOSURE LID + 01 MOVEMENT ROD + ABSORBENT PAD

The ECO-Square Fireplace is perfect for heating both indoor and outdoor environments, providing coziness and elegance.

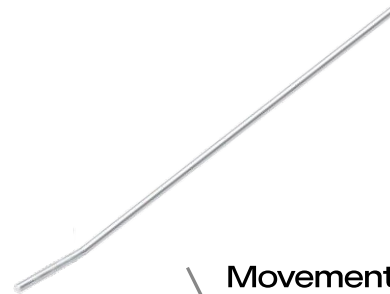
With an exclusive design, it is made of **polished 304 stainless steel** and uses **ethyl alcohol** as fuel. It is equipped with an **absorbent pad that prolongs the flame duration and enhances its efficiency**.

The ecological models feature closing lids and a rod for removing or moving them, avoiding direct contact with the fire and promoting **greater safety**.

One of the **main advantages of this fireplace is its ease of installation, as it can use fixed or mobile bases** and does not require a chimney.



Closure
Lid



Movement
Rod

WATCH THE VIDEO
OF THIS MODEL.



Accede a nuestro perfil en el enlace de abajo
y descarga el modelo deseado.

 3D Warehouse

3dwarehouse.sketchup.com/by/durasadesign

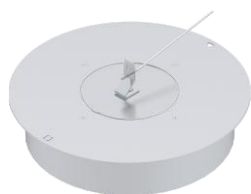
To identify the product, use the COD. Ex: 02.03.00002.

COD	MODEL	L	W	H	FUELING	STORAGE
02.03.00002	ECO-SQUARE FIREPLACE	22.5cm	22.5cm	5cm	ETHYL ALCOHOL	1 LITER
02.03.00003	ECO-SQUARE FIREPLACE	32.5cm	32.5cm	5cm	ETHYL ALCOHOL	3 LITERS
02.03.00036	ECO-SQUARE FIREPLACE	42.5cm	42.5cm	5cm	ETHYL ALCOHOL	7 LITERS

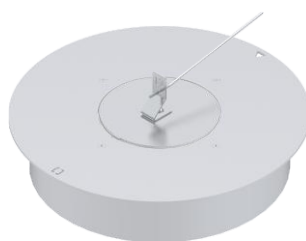
LIVING
FAMILY

FIREPLACE
LINE

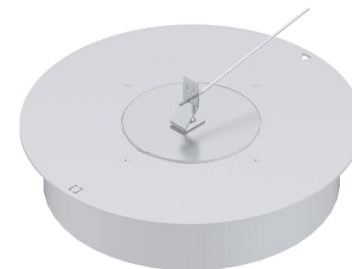
MODEL
// ECO-CIRCLE



02.03.00001



02.03.00004



02.03.00035

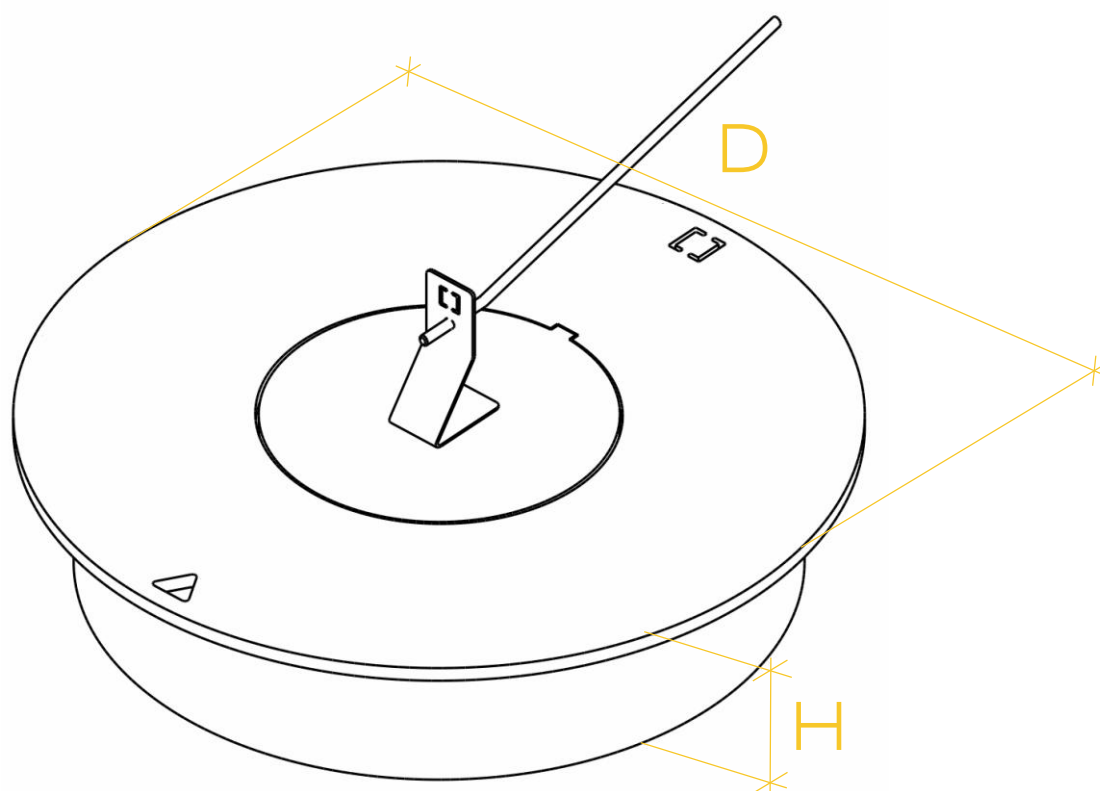
COD	INCLUDED IN THE DELIVERY OF THIS EQUIPMENT
02.03.00001	01 CLOSURE LID + 01 MOVEMENT ROD + ABSORBENT PAD
02.03.00004	01 CLOSURE LID + 01 MOVEMENT ROD + ABSORBENT PAD
02.03.00035	01 CLOSURE LID + 01 MOVEMENT ROD + ABSORBENT PAD

The ECO-Circle Fireplace is perfect for heating both indoor and outdoor environments, providing coziness and elegance.

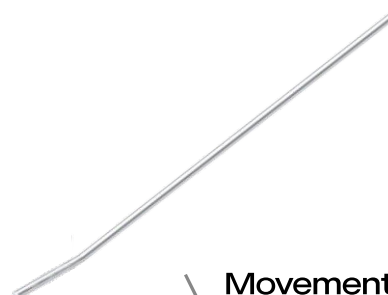
With an exclusive design, it is made of **polished 304 stainless steel** and uses **ethyl alcohol** as fuel. It is equipped with an **absorbent pad that prolongs the flame duration and enhances its efficiency**.

The ecological models feature closing lids and a rod for removing or moving them, avoiding direct contact with the fire and promoting **greater safety**.

One of the **main advantages of this fireplace is its ease of installation, as it can use fixed or bases** and does not require a chimney.

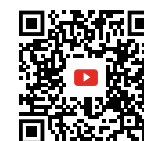


Closure
Lid



Movement
Rod

WATCH THE VIDEO
OF THIS MODEL.



Access our profile at the link below
and download the desired model.

 3D Warehouse

3dwarehouse.sketchup.com/by/durasadesign

To identify the product, use the COD. Ex: 02.03.00001.

COD	MODEL	D	H	FUELING	STORAGE
02.03.00001	ECO-CIRCLE FIREPLACE	22.5cm	5cm	ETHYL ALCOHOL	1 LITER
02.03.00004	ECO-CIRCLE FIREPLACE	32.5cm	5cm	ETHYL ALCOHOL	3 LITERS
02.03.00035	ECO-CIRCLE FIREPLACE	42.5cm	5cm	ETHYL ALCOHOL	7 LITERS



// FIRE PIT



MODEL
// FIRE PIT



02.03.00016



02.03.00017



02.03.00018

COD INCLUDED IN THE DELIVERY OF THIS EQUIPMENT

02.03.00016 01 METAL BASE + 01 DISC 80cm

02.03.00017 01 METAL BASE + 01 DISC 100cm

02.03.00018 01 HOT PLATE GRILL + CENTRAL ROD + 01 TRAY SUPPORT

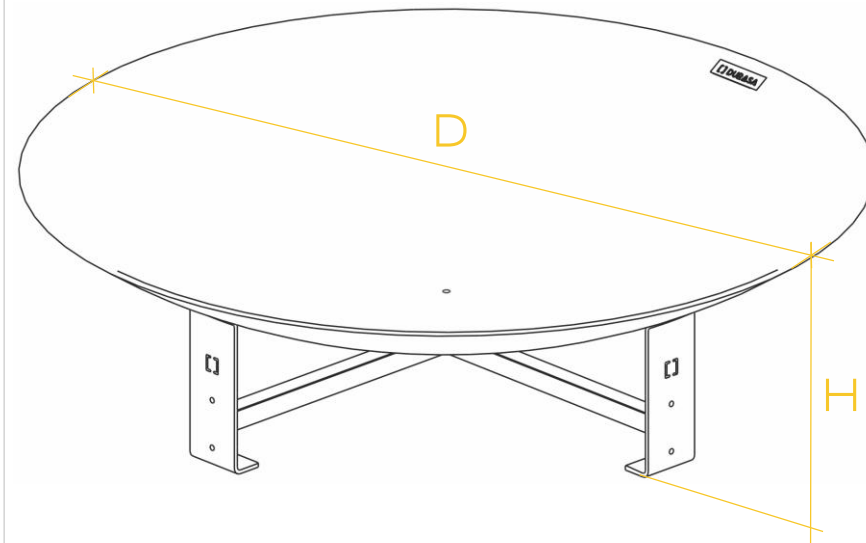
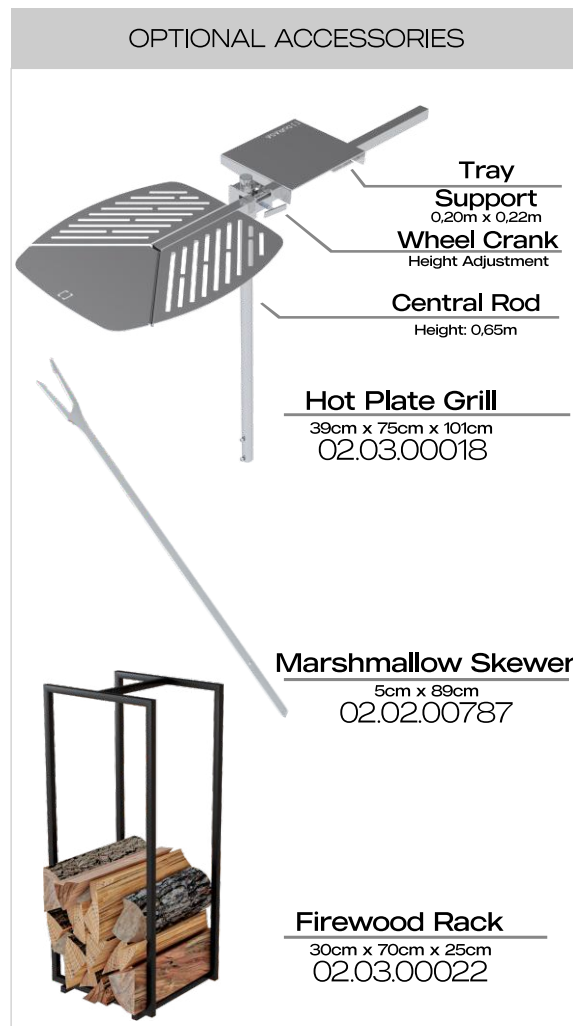
In addition to beautifying and complementing indoor or outdoor spaces, the Fire Pit is also highly functional.

Available in 2 sizes, this fireplace adapts perfectly to any environment.

With an elegant and robust design, the disc is made of corten-treated **carbon steel**, which withstands fire and weather exposure. The disc features a central drain that facilitates cleaning and prevents water accumulation.

Its specially designed **metal base** in **black high-temperature paint enhances the disc**, providing a distinctive design and ensuring greater stability.

Exclusively developed for this product, the **Hot Plate Grill is made of 304 stainless steel** and is easy to assemble and remove. One of the main advantages of this optional accessory is the ability to prepare delicious food, bringing family and friends together for an outdoor gathering, making it unique in the market.



WATCH THE VIDEO
OF THIS MODEL



Access our profile at the link below
and download the desired model.

3D Warehouse

3dwarehouse.sketchup.com/by/durasadesign

To identify the product, use the COD Ex.:02.03.00016 + 02.03.00018

COD	MODEL	FUELING	D	W	H	DEPTH
02.03.00016	FIRE PIT 80cm	FIREWOOD OR CHARCOAL	80cm	-	26cm	-
02.03.00017	FIRE PIT 100 cm	FIREWOOD OR CHARCOAL	100cm	80cm	31cm	100cm
02.03.00018	HOT PLATE GRILL	FIREWOOD OR CHARCOAL	-	39cm	75cm	101cm



// OUT
FAMILY

The Family Out is dedicated to products carefully designed for outdoor environments, offering unmatched durability and style.



// PERGOLA



OUT
FAMILY

STRUCTURE
LINE

MODEL
// **PERGOLA**



02.04.00004



02.04.00005



02.04.00006

COD INCLUDED IN THE DELIVERY OF THIS EQUIPMENT

02.04.00004	PERGOLA STRUCTURE + 04 ELEVATED BASES + WOOD-GRAIN ALUMINUM PROFILES
02.04.00005	PERGOLA STRUCTURE + 04 ELEVATED BASES + WOOD-GRAIN ALUMINUM PROFILES
02.04.00006	PERGOLA STRUCTURE + 06 ELEVATED BASES + WOOD-GRAIN ALUMINUM PROFILES

Introducing the Black Pergola, a versatile and elegant solution.

Crafted entirely from carbon steel with electrostatic painting, this product offers exceptional durability and resistance, ensuring a robust structure with **long-term strength**.

Its **collapsible feature** facilitates transport and installation, adapting easily to different environments and needs. The highlight of this pergola is its **exclusive bolted interconnection system, allowing for quick and precise assembly and disassembly without the need for welding or specialized tools**. This ensures a solid and stable construction with perfect fits at each joint.

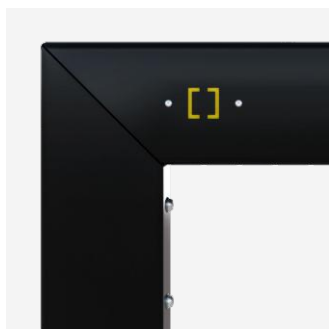
Its **base is made of 304 stainless steel**, elevating the structure and **preventing direct contact with the ground**.

Moreover, its versatility extends to the covering, which can be **customized** with wood-grain aluminum profiles according to customer preferences. The steel pergola combines functionality and beauty, providing a reliable and aesthetically appealing structure to transform any outdoor space into an inviting and comfortable environment.



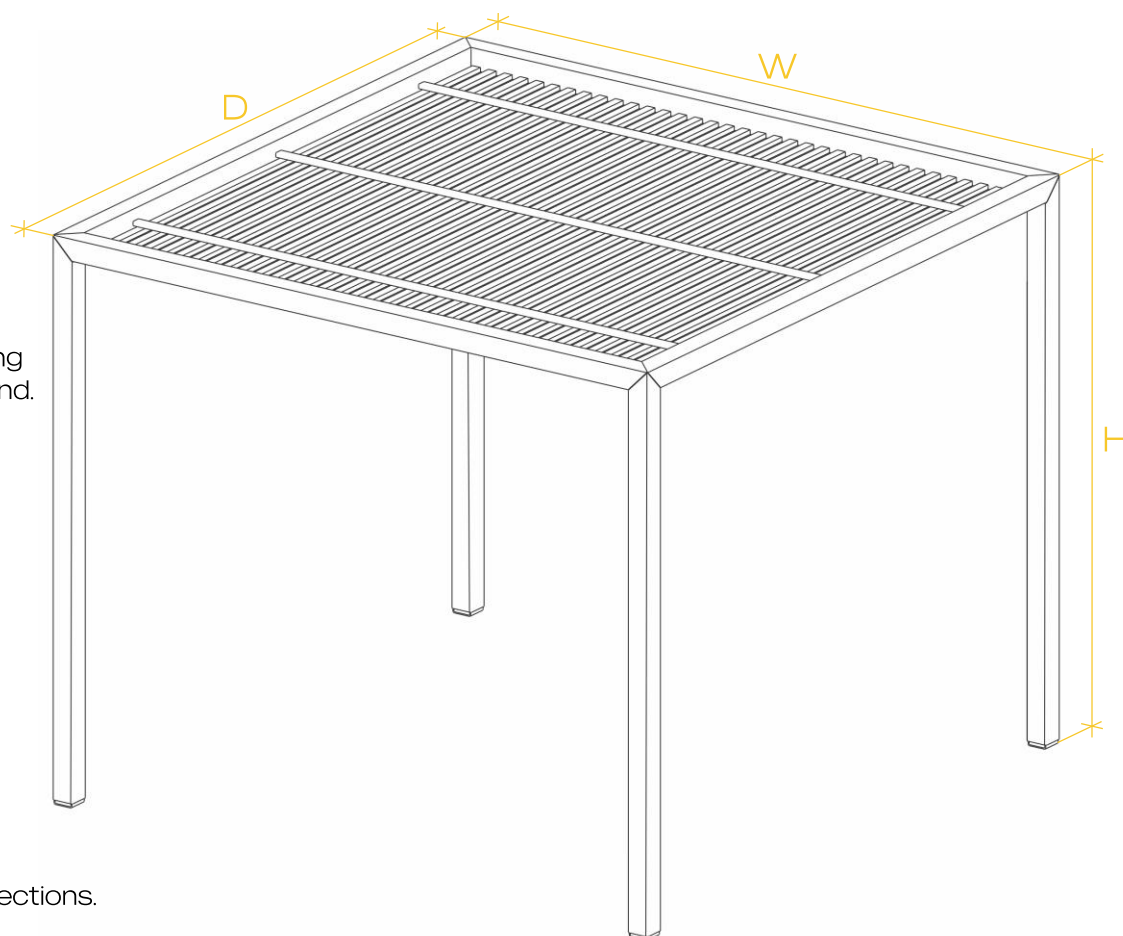
Elevated Base

Bases made of 304 stainless steel, preventing oxidation from the ground.



Smart System

Simple assembly using profiles and bolted connections.



Access our profile at the link below and download the desired model.

 3D Warehouse

3dwarehouse.sketchup.com/by/durasadesign

WATCH THE VIDEOS
OF THIS MODEL



To identify the product, use the COD. Ex: 02.04.00004.

COD	MODEL	W	H	D	PROFILE
02.04.00004	PERGOLA BLACK	15m	2.8m	3m	10cm
02.04.00005	PERGOLA BLACK	3m	2.8m	3m	10cm
02.04.00006	PERGOLA BLACK	3m	2.8m	6m	10cm

// SOCIAL MEDIA

Point the camera and follow DURASA on social media.



Website

durasacom.br



Instagram

[@durasadesign](https://www.instagram.com/durasadesign)



Instagram

[@durasahome](https://www.instagram.com/durasahome)



3D Warehouse

[@durasadesign](https://www.3dwarehouse.com/@durasadesign)



Tiktok

[@durasadesign](https://www.tiktok.com/@durasadesign)



Tiktok

[@durasahome](https://www.tiktok.com/@durasahome)



Youtube

[@durasadesign](https://www.youtube.com/@durasadesign)



LinkedIn

[DURASA](https://www.linkedin.com/company/durasacom)



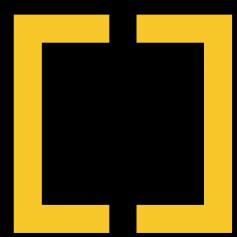
Pinterest

[DURASA](https://www.pinterest.com/durasacom)



Facebook

[DURASA Design](https://www.facebook.com/durasacom)





DURASA INDUSTRIAL LTDA
Rod SC 108, n 14519, Vila Nova, Braço do Norte - CEP: 88750-000 Brazil

www.durasacom.br | [@durasadesign](https://www.instagram.com/durasadesign) | [@durasahome](https://www.instagram.com/durasahome)