

# TRIMMING SUNDRIES & FASTENERS



**1720**

Door and Quarter Trim  
Panel Fastener  
Chrysler

UNIT PACKAGE: 100



**2385**

Door Trim  
Panel Fastener  
Chrysler

UNIT PACKAGE: 100



**2309**

Door Trim Panel Fastener  
All cars with .125 Panels  
Ford

UNIT PACKAGE: 100



**808**

General Purpose  
Head Diameter: 1/2"  
Chrysler

UNIT PACKAGE: 100



**8206**

Door Trim  
Panel Fastener  
Ford

UNIT PACKAGE: 100



**2310**

Door Trim  
Panel Fastener  
Chrysler

UNIT PACKAGE: 100



**11863**

(383033-S101)  
Phosphate

Door Trim  
Panel Fastener  
Ford

UNIT PACKAGE: 50

**10780**

Same as 11863 except for unit packaging quantity

UNIT PACKAGE: 100



**807**

General Purpose  
Head Diameter: 1/2"  
Chrysler

UNIT PACKAGE: 100



**9361**

(Ford: 358470; Chry: 1900654)

Door Trim Panel Fastener  
Ford & Chrysler

UNIT PACKAGE: 100



**2272**  
(358107)

Body Belt Moulding &  
Hood Side Moulding Fastener  
Ford

UNIT PACKAGE: 100



**1256**  
(353123)

Rear Quarter Strip (Inside),  
Instrument Panel Moulding & Hood  
Side Moulding Fastener  
Ford & Chrysler

UNIT PACKAGE: 50



**11406**

Trim Clip Fastener  
Head Diameter: 1/2"  
Fits into 1/4" Hole

UNIT PACKAGE: 100



**18402**

Phosphate & Green  
Weatherstrip Clip  
GM

UNIT PACKAGE: 25



**18395**

Black Phosphate  
Weatherstrip Clip  
GM

UNIT PACKAGE: 50

# TRIMMING SUNDRIES & FASTENERS



**12134**  
(4114785)  
Zinc

Trim Panel Fastener  
Fits into 5/16" Hole  
Chrysler

UNIT PACKAGE: 50

## Bulk Quantities

The items listed below are available in bulk quantities of 25,000 or more. Quotation on Request

**A = Head O.D.**  
**B = Prong Length**  
**C = Hole Size**  
**D = Width of Diamond**



**5961**  
Brown

General Purpose

A: 17/32"  
B: 7/8"  
C: 9/32"  
D: 1/2"

UNIT PACKAGE: 100



**1202**  
Sandstone

General Purpose

A: 17/32"  
B: 1-17/64"  
C: 9/32"  
D: 7/16"

UNIT PACKAGE: 100



**V-875**  
Fender Welt

1-3/8 inch (3/16" Bead)  
Bright Smooth Vinyl Bead

UNIT PACKAGE: 50 Feet

## Footman Loops



Part No.	Size	Hole Size	Hole to Hole Ctr.	Overall Length	Unit Pkg.
<b>Steel-Nickel Plated</b>					
7771	For 1" Strap	7/32"	2-1/8"	2-5/8"	25
7772	For 1-1/4" Strap	1/4"	2-1/4"	2-3/4"	25
7773	For 1-1/2" Strap	1/4"	2-5/8"	3-1/8"	25
19401	For 2" Strap	1/4"	3-1/8"	3-21/32"	25
<b>Steel • Black E • Coat Plated (168 Hrs. Salt Spray)</b>					
19404	For 1-1/2" Strap	1/4"	2-5/8"	3-1/8"	25

## Hog Rings

To attach seat covers to cushions and seat bottoms, as well as, cushion spring clips.



**7595**  
Medium  
.080" Wire Diameter

UNIT PACKAGE: 500



**7644**  
Large  
.088" Wire Diameter

UNIT PACKAGE: 500



**12671**

3/4" Nail (.750)  
"Nail On" Door Panel Repair Clip  
Slips on Door Panel Fastener Strip for repairs to replace broken Nails in Panel Edging

UNIT PACKAGE: 50



**12069**  
(416629)  
Zinc

Upholstery Clips  
GM 1979-On

UNIT PACKAGE: 50



**9417**

Snap-On Trim Clip  
Panel Range: .105"-.115"

UNIT PACKAGE: 100



**9416**

Snap-On Trim Clip  
Panel Range: .060"-.090"

UNIT PACKAGE: 100



**7578**

Seat Cushion Upholstery Clip  
Can be used to repair drooping headliners in Honda.

UNIT PACKAGE: 500

# TRIMMING SUNDRIES & FASTENERS



## 7707

Cloth Lined Cushion Spring Clip to fasten Springs to each other or to border Wire.  
Length: 7/8"  
For 1/4" or two 8 Gauge Wires.

UNIT PACKAGE: 100



## 11795

Zinc

Seat Cover Clip  
GM 1978-On

UNIT PACKAGE: 100



## 2850

Front Seat Self-Locking Clip  
Ford

UNIT PACKAGE: 100



## 8665

Front Seat Rod End Nut  
Outer Diameter: 15/16"  
Stud Size 1/2"  
Chrysler

UNIT PACKAGE: 100



## 8719

(4000155)  
Nickel

Front Seat Inner Bracket Nut  
Outer Diameter: 11/16"  
Stud Size: 3/8"  
Rambler

UNIT PACKAGE: 100



## 2672

Front Seat Hinge Arm Clip  
GM

UNIT PACKAGE: 100



## Grommets and Washers Solid Brass

7347	3/8" Hole	Size No. 2
7348	7/16" Hole	Size No. 3
7349	1/2" Hole	Size No. 4
7350	5/8" Hole	Size No. 5

NOTE: Grommets and Washers bagged separately.

UNIT PACKAGE: 144 Grommets & 144 Washers



## Grommet Setting Dies



7342	- For Grommet 7348	7/16" Hole-Size No. 3
7343	- For Grommet 7349	1/2" Hole-Size No. 4
7344	- For Grommet 7350	5/8" Hole-Size No. 5

UNIT PACKAGE: 1 SET



## Flanged Type Countersunk Washers

Screw Size	I.D.	O.D.	Nickel on Brass Part No.	Black Zinc on Brass Part No.	Stainless Steel Part No.	Unit Pkg.
#6	5/32"	1/2"	3469		3470	100
#8	13/64"	5/8"	2515	16009	2597	100
#10	1/4"	11/16"	3471		3472	100



## Flush Type Washers Nickel Plated on Brass

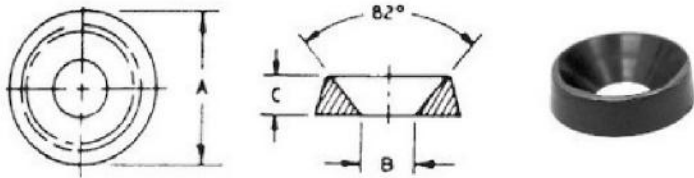
Unit Pkg. 100	Unit Pkg. 144	Unit Pkg. 1000	Screw Size	I.D.	O.D.
602	7137	7624	#6	5/32"	11/32"
604	7138	7625	#8	3/16"	3/8"
16015		16016	#10	13/64"	15/32"



## Countersunk Type Washers

Screw Size	I.D.	O.D.	Nickel Plated Brass			Black Zinc Plated Brass		Plain Brass	
			Unit Pkg. 100	Unit Pkg. 144	Unit Pkg. 1000	Part No.	Unit Pkg.	Part No.	Unit Pkg.
#4	9/64"	3/8"	612		7613				
#6	11/64"	7/16"	614	7143	7615	16011	100		
#8	13/64"	1/2"	616	7145	7616	16012	100		
#10	1/4"	19/32"	618	7147	7618	16013	100	16593	100
#12	9/32"	11/16"	619	7148					

# TRIMMING SUNDRIES & FASTENERS



## Nylon Finishing Washers

Available in natural or black nylon, these molded washers protect cabinets from scratching, cover misaligned holes, etc. May also be used as guides, bumpers and spacers.

Part No.	Screw Size	O.D. (A)	I.D. (B)	Thickness (C)	Color	Unit Pkg.
13717	#6	.437" (11.10mm)	.143" (3.63mm)	.100" (2.54mm)	Black	50
13718	#8	.515" (13.08mm)	.171" (4.34mm)	.115" (2.92mm)	Natural	50
13719	#8	.515" (13.08mm)	.171" (4.34mm)	.115" (2.92mm)	Black	50
13720	#10	.580" (14.73mm)	.191" (4.85mm)	.152" (3.86mm)	Natural	50
13721	#10	.580" (14.73mm)	.191" (4.85mm)	.152" (3.86mm)	Black	50
13723	#12	.609" (15.47mm)	.225" (5.72mm)	.160" (4.06mm)	Black	50
13724	#14	.683" (17.35mm)	.251" (6.38mm)	.183" (4.65mm)	Natural	50
13725	#14	.683" (17.35mm)	.251" (6.38mm)	.183" (4.65mm)	Black	50

## Pop on Screw Covers & Bases

Covers: Matte Finish

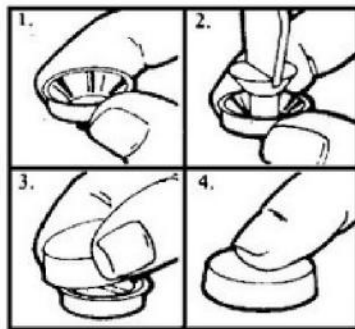


Ultra Violet Stabilized Polypropylene covers and bases help shield screws from corrosive environments. Their smooth finish forms a protective barrier against rough-edges.

For use with flat head and oval head tap ping screws and round head machine screws.

They're simple to use:

1. Place washer over pilot or starting hole for screw, nail or rivet.
2. Install fastener
3. Place Snap Cap over washer at slight angle.
4. Simply push Snap Cap down firmly.



## Screw Cover Bases

Part No.	Unit Pkg.	Screw Size
13839	50	#4
13840	50	#6
13841	50	#8
13842	50	#10

## Screw Covers

Part No.	Unit Pkg.	Color
13831*	50	Black
13832*	50	White
13833*	50	Black
13834*	50	White
13835•	50	Black
13836•	50	White
13837•	50	Black
13838•	50	White

\* 1/2" O.D.

• 5/8" O.D.



## 19413

(F7UZ-15238A32)  
Black Nylon

Door Panel Screw Cover  
Head Diameter: 3/4" (19mm)  
Fits into 5/8" (16mm) Hole  
Ford Econoline E150 1997-On

UNIT PACKAGE: 25

## Accessories for use on Landau Tops



## 9877

Stainless Steel

#4-24 x 3/8"  
Head Diameter: 7/32"  
Type AB

Used in place of Welded Studs on Landau Tops

UNIT PACKAGE: 100



## 9850

(7731589)  
Natural Nylon

Landau Top Moulding Clip  
Use with Screw 9877

UNIT PACKAGE: 100



## 10632

Nylon

Landau Top Moulding Clip  
Use with Screw 9877

UNIT PACKAGE: 100



## 11485

(1729250)  
Nylon

Roof Transverse Moulding Clip  
GM 1976-On

UNIT PACKAGE: 25

## TRIMMING SUNDRIES & FASTENERS



**9342**  
(4459049)  
Nylon

Door Trim Pad Grommet  
Screw Size: #8 or #10  
Stem Length: 9/16"  
Buick & Oldsmobile  
UNIT PACKAGE: 50



**3617**  
(6280765)  
Nylon

Door Trim Pad Grommet  
Screw Size: #4  
Stem Length: 7/16"  
Chevrolet & Oldsmobile  
UNIT PACKAGE: 100



**18398**  
(20058837)  
Nylon

Windshield Upper  
Garnish Clip  
GM A & G Models  
1988-78

UNIT PACKAGE: 10



**16865**  
(20462090)  
Nylon

Garnish Moulding Clip  
Buick Century & Regal,  
Chevrolet Camaro, Celebrity,  
Monte Carlo & Malibu, Oldsmobile  
Cutlass & Ciera, Pontiac Firebird  
Grand Prix & 6000 1978-On

UNIT PACKAGE: 25



**11118**  
(9617200)  
Nylon

Headliner Clip  
Inner Side Front, Center & Rear  
GM 1973-On

UNIT PACKAGE: 10

**11119**

Same as 11118 except for unit package quantity

UNIT PACKAGE: 100



**17666**  
(20632190)  
Nylon

Garnish Moulding Clip  
Back Window Upper & Side  
Moulding Garnish

Buick LeSabre, Cadillac, Fleetwood Brougham,  
Chevrolet Caprice & Impala, Olds Delta 88 & 98,  
Pontiac Bonneville & Parisienne 1989-80

UNIT PACKAGE: 10

# SNAP FASTENERS & ACCESSORIES



Button  
Nickel on Brass  
1 1/64" Barrel Length

**14830** - Black Delrin Cap  
UNIT PACKAGE: 50

**7677** - Nickel Cap  
UNIT PACKAGE: 100



Socket  
Nickel on Brass

**7678** - Normal Action  
UNIT PACKAGE: 100



Stud  
Nickel on Brass

**7679** - Clinch Type  
UNIT PACKAGE: 100



Eyelet  
Nickel on Brass

**7682** - 1/4" Barrel Length  
UNIT PACKAGE: 100

Buttons 7677 and 14830 assemble with socket 7678.

You can use hand tools 7690 and 7691 or hand press tool 14835 to complete this step.

Stud 7679 assembles with eyelet 7682.

You can use hand tools 7691 and 7692 or hand press tool 14835 to perform this step.

The two assembled units then snap together.

An assembled button (7677, 14830) and socket (7678) unit can be used with fasteners listed below.



Phillips Wood Screw  
Nickel on Brass

**9814** - #8 x 3/8"  
**7680** - #8 x 5/8"

UNIT PACKAGE: 100



Phillips Head  
Stainless Steel Screw

**14833** - #8 x 3/8"  
**14834** - #8 x 5/8"  
**15687** - #10 x 5/8"  
UNIT PACKAGE: 50



Phillips Head

**16418** - #8 x 1/2"  
Nickel on Brass

**16419** - #8 x 3/4"  
Stainless Steel Screw

UNIT PACKAGE: 25



Wood Screw Stud  
Nickel on Brass

**7688** - #7 x 1/2"  
UNIT PACKAGE: 100



**7690**

Height: 5/8"

Diameter: 1-3/8"

Die for assembling buttons 7677 & 14830 with socket 7678. The button sets in the die. Then the material and socket are placed over the button barrel. Tool 7691 is used to swedge over the barrel.  
UNIT PACKAGE: 1



**7692**

Height: 5/8"

Diameter: 1-3/8"

Die for assembling stud 7679 and eyelet 7682. The eyelet sets in the die. Then the material and stud are placed over the eyelet barrel. Tool 7691 is used to swedge over the barrel.

UNIT PACKAGE: 1

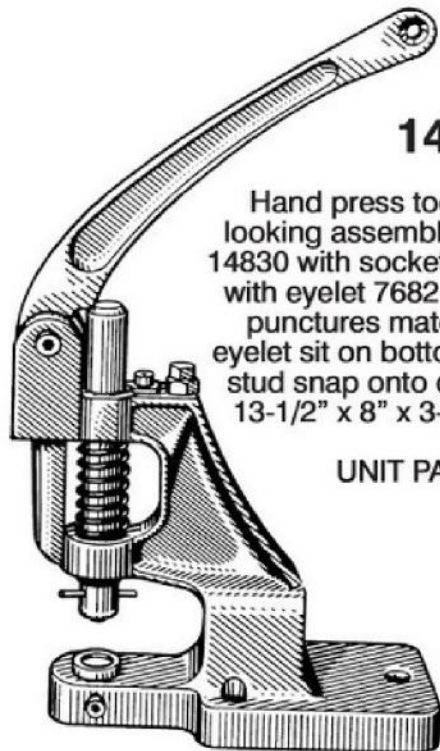
**7691**



Length: 3-1/4"

Tool for assembling buttons 7677 & 14830 with socket 7678 and stud 7679 with eyelet 7682.

UNIT PACKAGE: 1



**14835**

Hand press tool for professional looking assembly of buttons 7677 & 14830 with socket 7678 and stud 7679 with eyelet 7682. Tool automatically punctures material. Buttons and eyelet sit on bottom dies. Socket and stud snap onto dies on the plunger. 13-1/2" x 8" x 3-1/2". Weighs 8 lbs.

UNIT PACKAGE: 1



# CURTAIN FASTENERS

Nickel on Brass



**7417**

Backplate  
Single curtain to  
clinch with backplate

UNIT PACKAGE: 100



**7409**

Eyelets & washers  
Use with **Fasteners**  
**7417 and 7419**

UNIT PACKAGE: 100 Sets



**7419**

Single curtain  
Use with #4 stainless steel,  
chrome or brass screws  
(screws sold separately)

UNIT PACKAGE: 100



**7432**

*Photo not actual size*  
Tool for cutting holes in material when  
installing 7409 eyelet and washer.  
Overall Length: 6-11/16"

UNIT PACKAGE: 1

## TRIMMING SUNDRIES & FASTENERS

Refer to Retainer Specification Chart



**19746**

(91652-SZ3-003)  
White Nylon

Door Lining Retainer  
Acura 3.5RL 1996 - On

UNIT PACKAGE: 10



**21548**

(67869-20030)  
Black Nylon

Weatherstrip Retainer  
Lexus IS 300 & SC 430 and Toyota Camry,  
Celica, Corolla, Highlander, Matrix, MR-2, Prius,  
RAV-4, Scion, Solara & Supra 1990 - On

UNIT PACKAGE: 25



**18684**

(10262036)  
Black Nylon

Control Panel Trim Retainer  
Chevrolet Lumina & Monte Carlo 1995-On

UNIT PACKAGE: 100



**14367**

(9924-90-512B)  
Black Nylon

Retainer  
Mazda

UNIT PACKAGE: 50



**21627**

(67868-30030)  
Black Nylon

Door & Roof Rail Retainer  
Lexus 2006 - On & Toyota 1974 - On

UNIT PACKAGE: 25



**21984**

(VW: 6Y0-823-717)  
Black Nylon

Trim Panel Retainer  
VW, Audi, SEAT & Skoda

UNIT PACKAGE: 15



**21458**

(91567-S3M-000)  
Black Nylon

Weatherstrip Retainer  
Honda Accord, Civic & Odyssey 2003 - On

UNIT PACKAGE: 25



**18683**

(10063599)  
Black Nylon

Remote Control Door  
Lock Receiver Retainer  
Chevrolet Lumina & Monte Carlo,  
Oldsmobile Cutlass and Pontiac  
Bonneville & Grand Prix 1991 - On

UNIT PACKAGE: 100



**19686**

(90467-05045-22)  
Black Nylon

Weatherstrip Retainer  
Toyota Solara 1998 - On

UNIT PACKAGE: 25

# TRIMMING SUNDRIES & FASTENERS

Refer to Retainer Specification Chart



**18770**

(3759944)  
Black Nylon

Cowl & Dash Panel Retainer  
Dodge Shadow & Plymouth Sundance  
1988 - On

UNIT PACKAGE: 50



**20344**

(10169777)  
Black Nylon

Weatherstrip Retainer  
**Replaces 18322**  
Chevrolet Impala, Lumina & Monte Carlo  
and Pontiac Aztek 1995 - On

UNIT PACKAGE: 25



**14921**

(GM: 20699808; Chry: 6502328)  
Black Nylon

Door Weatherstrip Retainer  
GM 1974 - On  
Dodge Ram 1994 - On

UNIT PACKAGE: 50



**18389**

(25603960)  
Black Nylon

Radiator Baffle  
Retainer  
Olds 98 Regency 1994 - On

UNIT PACKAGE: 25



**20165**

(4658887)  
Black Nylon

Trim Panel Retainer  
Chrysler LH & LHS Series 1997 - On

UNIT PACKAGE: 50



**14021**

(N803170-S)  
Black Nylon

Fascia Retainer  
Ford Mustang & Capri 1984 - On

UNIT PACKAGE: 25



**20528**

(24205245)  
Black Nylon

Rear Bumper Cover Retainer  
Chevrolet Cavalier & Pontiac Sunfire  
1995 - On

UNIT PACKAGE: 50



**21936**

(Peugeot & Citroen: 6992.07)  
Black Nylon

Trim Panel Retainer  
Peugeot & Citroen

UNIT PACKAGE: 25



**11129**

(2964547)  
Black Nylon

Weatherstrip Retainer  
Chrysler 1977 - On

UNIT PACKAGE: 25



**11120**

(8731909)  
Black Nylon

Door Weatherstrip Retainer  
GM 1963 - On

UNIT PACKAGE: 100



**21808**

(Peugeot & Citroen: 6992.31)  
White Nylon

Interior Trim Retainer  
Peugeot & Citroen

UNIT PACKAGE: 25



**18302**

(GM: 20538173; Chry: 6104908-AA;  
Mercedes: 002-997-33-86-67)  
Black Nylon

Weatherstrip Retainer  
Buick Century & Riviera, Chevrolet Lumina, Olds  
Aurora & Regency and Pontiac Grand Prix 1989 - On  
Chrysler 2008 - On  
Mercedes-Benz

UNIT PACKAGE: 50



# TRIMMING SUNDRIES & FASTENERS

Refer to Retainer Specification Chart



**21855**  
(Land Rover: MXC1800)  
Black Nylon

Door Panel Retainer  
Defender & Discovery Series 1997 - On

UNIT PACKAGE: 15



**21770**  
(Land Rover: MWC9134)  
Black Nylon

Side Door Trim Panel Retainer  
**Use with 22085**  
Defender Series, Discovery Series,  
Freelander & Range Rover 2006 - 1989

UNIT PACKAGE: 25



**14006**  
(20455900)  
Black Nylon

Moulding Retainer  
GM 1984 - On

UNIT PACKAGE: 25



**21519**  
(01553-01A50)  
Black Nylon

Bumper & Trim Retainer  
Infiniti FX35, G35, G37, M35, M45 & Q45  
and Nissan 350Z & 370Z 1997 - On

UNIT PACKAGE: 25



**17634**  
(01553-01781)  
Black Nylon

Cowl Grille Retainer  
Nissan 240SX 1990 - On

UNIT PACKAGE: 25



**20893**  
(GM: 10293193;  
Ford: N811040-S)  
Black Nylon

Hood Insulation &  
Door Weatherstrip Retainer  
Chevrolet Cobalt &  
Ford Mustang 2005 - On

UNIT PACKAGE: 50



**18298**  
(22536642)  
Black Nylon

Rear Bumper Fascia Retainer  
Chevy Cavalier, Olds Calais, Pontiac  
Grand Prix, Sunbird & 6000 1988 - On

UNIT PACKAGE: 50



**19673**  
(72311-S10-003)  
Black Nylon

Weatherstrip Retainer  
Honda CRV 1997 - On

UNIT PACKAGE: 15



**20311**  
(N803857S)  
Black Nylon

Front End Fascia Retainer  
**Replaces 15483**  
Ford Aerostar, LTD & Marquis 1985 - On

UNIT PACKAGE: 50



**11721**  
(411700)  
Black Nylon

Trim Panel Retainer  
GM 1968-On

UNIT PACKAGE: 50



**19149**  
(4658673)  
Black Nylon

Weatherstrip Retainer  
Front & Rear Doors  
Chrysler Neon 1996-On

UNIT PACKAGE: 50



**18948**  
(GM: 1644290; Nissan: 01553-0075U)  
Black Nylon

Hood Insulation, Rear Bumper Fascia  
& Door Trim Plate Retainer  
GM 1991 - On  
Nissan: 2002 - On

UNIT PACKAGE: 25



**18897**  
(10078274)  
Black Nylon

Side Roof Rail  
Weatherstrip Retainer  
Chevrolet Corsica & Beretta 1989 - 87

UNIT PACKAGE: 25

# TRIMMING SUNDRIES & FASTENERS

Refer to Retainer Specification Chart on pages 475-489



**11680**  
(25016383)  
Black Nylon

Dash Panel Retainer  
GM 1977 - On

UNIT PACKAGE: 50



**12993**  
(7703-077-066)  
Black Nylon

Rear Window Moulding  
AMC Renault & Alliance 1983 - On

UNIT PACKAGE: 25



**11612**  
(GM: 20413107;  
Ford: 388246S  
AMC: 4006516)  
Black Nylon

Weatherstrip Retainer  
GM, Ford & AMC

UNIT PACKAGE: 50



**21802**  
(Renault: 77-03-077-231;  
Fiat: 14591787)  
Black Nylon

Retainer  
Renault, Dacia  
and Fiat

UNIT PACKAGE: 25



**14289**  
(90666-SA0-003)  
Black Nylon

Retainer  
Honda

UNIT PACKAGE: 25



**21803**  
(Fiat: 14592087)  
Black Nylon

Retainer  
Renault, Dacia and Fiat

UNIT PACKAGE: 25



**19836**  
(6505417AA)  
Black Nylon

Trim Panel Retainer  
Chrysler

UNIT PACKAGE: 50



**21804**  
(Fiat: 14592086)  
Gray Nylon

Retainer  
Renault, Dacia and Fiat

UNIT PACKAGE: 25



**21800**  
(Renault: 77-03-077-080)  
Black Nylon

Retainer  
Renault and Dacia

UNIT PACKAGE: 25



**14017**  
(390126-S)  
Black Nylon

Fascia Retainer  
Ford Mustang &  
Capri 1984 - On

UNIT PACKAGE: 25



**21801**  
(Not Available from O.E.M.)  
White Nylon

Retainer  
Renault and Dacia

UNIT PACKAGE: 25

**14857**

Same as 14017 except for unit package quantity

UNIT PACKAGE: 50

# TRIMMING SUNDRIES & FASTENERS

Refer to Retainer Specification Chart on pages 475-489



**21878**

(Peugeot & Citroen: 8964.57)  
Black Nylon

Trunk Lining Retainer  
Peugeot & Citroen

UNIT PACKAGE: 25



**21693**

(Lexus: 90467-05125)  
Black Nylon

Front Bumper Bracket Retainer  
Lexus GS 300, GS 450h  
& LS 400 1995 - On

UNIT PACKAGE: 25



**18682**

(10098645)  
Black Nylon

Front Door Lower Moulding Retainer  
Pontiac Grand Prix with  
Sport Performance Package 1994 - On

UNIT PACKAGE: 50



**21303**

(90671-S0D-003ZK)  
Black Nylon

Trunk Lid &  
Interior Trim Retainer  
Honda Accord 2010 - On

UNIT PACKAGE: 25



**20256**

(01553-01182)  
Black Nylon

Splash Shield Retainer  
Nissan Frontier Truck 1997 - On

UNIT PACKAGE: 50



**21877**

(Peugeot & Citroen: 6992.C6)  
Black Nylon

Radiator Panel Retainer  
Peugeot & Citroen

UNIT PACKAGE: 25



**17453**

(B003-68-865-96)  
Gray Nylon

Rear Compartment  
Interior Trim Retainer  
Ford Probe 1988 - On  
Mazda MX6 1988 - On

UNIT PACKAGE: 50



**21589**

(99045AE03AMA)  
Black Nylon

Trim Panel Retainer  
Subaru B9 Tribeca, Impreza,  
Legacy & Outback 2005 - On

UNIT PACKAGE: 25



**21755**

(Mazda: B003-68-865-00)  
Black Nylon

Trim Panel Retainer  
MPV 1998 - 89

UNIT PACKAGE: 50



**18815**

(6502381)  
Black Nylon

Radiator Grille  
Sight Shield Retainer  
Dodge Caravan &  
Plymouth Voyager 1993 - On

UNIT PACKAGE: 50



**19312**

(90467-05096-22)  
Black Nylon

Luggage Compartment  
Trim Panel Retainer  
Toyota Tercel & Paseo 1994 - On

UNIT PACKAGE: 25



**21910**

(Renault & Dacia: 77-03-077-487)  
Black Nylon

Trim Panel Retainer  
Renault & Dacia

UNIT PACKAGE: 25

# TRIMMING SUNDRIES & FASTENERS

Refer to Retainer Specification Chart



**21911**  
(Renault & Dacia: 77-03-077-464)  
Gray Nylon

Trim Panel Retainer  
Renault & Dacia

UNIT PACKAGE: 15



**21912**  
(Renault & Dacia: 77-03-077-153)  
Black Nylon

Trim Panel Retainer  
Renault & Dacia

UNIT PACKAGE: 15



**21913**  
(Renault & Dacia: 77-03-077-107)  
Dark Gray Nylon

Trim Panel Retainer  
Renault & Dacia

UNIT PACKAGE: 25



**19506**  
(90666-SA7-003ZW)  
Black Nylon

Trunk Lining Retainer  
Acura 2.5TL, 3.2TL, 3.5, Integra &  
Legend, Honda Accord Wagon  
& Prelude 1987 - On

UNIT PACKAGE: 15



**21938**  
(Peugeot & Citroen: 7588.VX)  
Black Nylon

Trim Panel Retainer  
Peugeot & Citroen

UNIT PACKAGE: 25



**21349**  
(85746-06000LX)  
Gray Nylon

Headliner Retainer  
Kia Rio 2010 - On

UNIT PACKAGE: 25



**21350**  
(85746-06000RU)  
Tan Nylon

Headliner Retainer  
Kia Rio 2010 - On

UNIT PACKAGE: 25



**15050**  
Black Nylon

Shroud Retainer  
High Retention Capability  
GM, Ford & Chrysler

UNIT PACKAGE: 50



**15367**  
(20514862)  
Black Nylon

Screen Shroud Vent  
Grille to Panel Retainer  
GM 1985 - On

UNIT PACKAGE: 50



**21940**  
(Peugeot & Citroen: 6992.95)  
Black Nylon

Trim Panel Retainer  
Peugeot & Citroen

UNIT PACKAGE: 25



**11675**  
(GM: 25514221;  
Chry: 6003587)  
Black Nylon

Roof Headliner Retainer  
GM & Chrysler 1982 - On

UNIT PACKAGE: 50



**21199**  
(Ford: W711687-S300;  
GM: 11589181)  
Black Nylon

Bumper and Fender Apron Retainer  
Ford Focus and GM Full-Size  
Pick-Up Trucks 2007 - On

UNIT PACKAGE: 25



**14709**  
(Mazda: G030-68-885-B-38;  
Ford: F22Z-16774-A, GA2A-56694)  
Nylon

Hood Insulation Retainer  
Mazda & Ford Probe

UNIT PACKAGE: 25

# TRIMMING SUNDRIES & FASTENERS

Refer to Retainer Specification Chart on pages 475-489



**21661**  
(TD11-56-694)  
Black Nylon

Hood Insulation Retainer  
Mazda 3, 5, 6, CX7, CX9,  
MX5 Miata & RX8 2004 - On

UNIT PACKAGE: 25



**20399**  
(W701374-S)  
Black Nylon

Hood Insulation Retainer  
Ford Escape 2001 - On

UNIT PACKAGE: 25



**11679**  
(GM: 20032850; Ford: 387258-S;  
Chry: 3861577)  
Black Nylon

Mud Shield Retainer  
GM, Ford & Chrysler 1976 - On

UNIT PACKAGE: 100



**13454**  
(20511451)  
Black Nylon

Cowl Vent Retainer  
GM 1984 - On

UNIT PACKAGE: 25



**11347**  
(3861577)  
Black Nylon

Front Seat Adjuster Cover Retainer  
Chrysler 1975 - On

UNIT PACKAGE: 25



**19643**  
(90467-06175)  
Black Nylon

Luggage Compartment  
Retainer  
Toyota Solara 1998 - On

UNIT PACKAGE: 15



**20184**  
(90467-08186)  
Black Nylon

Luggage Compartment  
Trim Retainer  
Toyota Camry 1999 - On

UNIT PACKAGE: 25



**13198**  
(4-29-29-06)  
Black Nylon

Interior Trim Retainer  
Fiat

UNIT PACKAGE: 50



**18820**  
(N807951S)  
Black Nylon

Access Hole Cover Retainer  
Ford Mustang 1994 - On

UNIT PACKAGE: 100



**19667**  
(N801994-S100)  
Black Nylon

Trim Panel Retainer  
Ford 1982 - On

UNIT PACKAGE: 25



**21941**  
(Peugeot & Citroen: 9128.S1)  
Light Gray Nylon

Trim Panel Retainer  
Peugeot & Citroen

UNIT PACKAGE: 10



**21937**  
(Peugeot & Citroen: 6992.W9)  
Black Nylon

Trim Panel Retainer  
Peugeot & Citroen

UNIT PACKAGE: 25



**21939**  
(Peugeot & Citroen: 7589.V4)  
Tan Nylon

Trim Panel Retainer  
Peugeot & Citroen

UNIT PACKAGE: 15

# TRIMMING SUNDRIES & FASTENERS

Refer to Retainer Specification Chart on pages 475-489



**21253**

(90467-05164-B6)  
Gray Nylon

Headliner Retainer  
Toyota Yaris 2009 - On

UNIT PACKAGE: 25



**21332**

(90467-05164-E2)  
Tan Nylon

Headliner Retainer  
Toyota Corolla & Yaris 2009 - On

UNIT PACKAGE: 25



**21560**

(G032-68-865A-00)  
Black Nylon

Trunk & Carpet Retainer  
Mazda B2000, B2600, CX-7, CX-9, Miata,  
Millenia, MX-3, MX-5, MX-6, Protege, RX-7,  
RX-8, 3, 5, 6, 626 & 929 1987 - On

UNIT PACKAGE: 25



**21673**

(W715926-S300)  
Black Nylon

Fender, Bumper, Trunk  
& Interior Trim Retainer  
Ford Escape & Focus 2012 - On

UNIT PACKAGE: 25



**21630**

(95022AC040ML)  
Black Nylon

Headliner & Trim  
Space Retainer  
Subaru Forester, Impreza,  
Legacy & Outback 1998 - On

UNIT PACKAGE: 25



**14757**

(N804448)  
Black Nylon

Engine Mount Heat Shield Retainer  
Ford Taurus & Sable 1986 - On

UNIT PACKAGE: 25



**19470**

(90108-SW3-003)  
Black Nylon

Use with Auveco 19650  
Honda Accord,  
Odyssey & Prelude 1995 - On

UNIT PACKAGE: 15



**19744**

(90669-SP0-003ZA)  
Black Nylon

Trunk Trim Retainer  
Honda Civic 1998 - On

UNIT PACKAGE: 10



**21947**

(Peugeot & Citroen: 7437.10)  
Black Nylon

Trim Panel Retainer  
Peugeot & Citroen

UNIT PACKAGE: 10



**19893**

(6501948)  
Black Nylon

Fender & Bumper Shield Retainer  
Chrysler 1995 - 89

UNIT PACKAGE: 50



**20334**

(90667-SOD-003ZC)  
Black Nylon

Trunk Garnish Retainer  
Honda Civic 1998 - On

UNIT PACKAGE: 15



**22075**

(Nissan: 01553-06451)  
Black Nylon

Upper Quarter Trim &  
Rear Trunk Seal Retainer  
Infiniti G35, J30, JX60, M35, M37, M56,  
Q45, Q50 & QX60 and Nissan Altima,  
Pathfinder & Quest 1996 - On

UNIT PACKAGE: 25



**16776**

(Honda: 90667-SAO-0030;  
Nissan: 76996-01P02)  
Black Nylon

Trim Panel Retainer  
Honda & Nissan

UNIT PACKAGE: 25

# TRIMMING SUNDRIES & FASTENERS

Refer to Retainer Specification Chart



**19842**  
(75867-30110)  
Black Nylon

Rocker Panel Clip  
Toyota Corolla 1997 - On

UNIT PACKAGE: 15



**18379**  
(W701380SSW)  
Black Nylon

Retainer  
Trunk Liner, Rear Seat Carpet,  
& Radiator Side Shield  
Ford Contour &  
Mercury Mystique 1995 - On

UNIT PACKAGE: 25



**18174**  
(25601491)  
Black Nylon

Radiator Air Side Baffle  
& Door Trim Panel Retainer  
Buick LeSabre &  
Olds Delta 88 Royale 1992 - On

UNIT PACKAGE: 50



**20531**  
(W708035-S300)  
Black Nylon

Rear Bumper Cover Retainer  
**Use with 20532**  
Ford Expedition 2003 - On

UNIT PACKAGE: 25



**21679**  
(Chrysler: 6509590-AA)  
Black Nylon

Bumper Retainer  
Chrysler 300 & Charger 2011 - On

UNIT PACKAGE: 25



**16818**  
(GM: 21094146, 21110201;  
Chry: 6501301)  
Black Nylon

Trim Panel Retainer  
GM Saturn 1991 - On  
Sliding Door & Lift Gate  
Trim Panel Retainer  
Chrysler Mini Vans 1987 - On

UNIT PACKAGE: 25



**15040**  
(Chry: 5208743; AMC: 4006529)  
Black Nylon

Trim Panel Retainer  
Chrysler 1988 - 84  
AMC 1988 - 84

UNIT PACKAGE: 50



**19774**  
Black Nylon

Bumper Cover Retainer  
**Replaces 18106**  
Postal Vehicles &  
General Purpose

UNIT PACKAGE: 25



**20624**  
(Ford: W709002-SAA)  
Black Nylon

Fender Flare Retainer  
Ford Expedition &  
Navigator 2003 - On

UNIT PACKAGE: 25



**18301**  
(GM: 10185925; Chry: 6503768)  
Black Nylon

Bumper Fascia Retainer  
Chevy Lumina APV, Olds Silhouette  
& Pontiac Trans Sport 1993 - On

UNIT PACKAGE: 25



**20177**  
(W705955-S300)  
Charcoal Gray  
Nylon

Wheel Opening Moulding Retainer  
Ford Explorer 1998 - On

UNIT PACKAGE: 50



**18859**  
(10119816)  
Black Nylon

Panel Retainer Air Intake  
Grille Panel Retainer  
Chevrolet Camaro  
1991 - On

UNIT PACKAGE: 25

# TRIMMING SUNDRIES & FASTENERS

Refer to Retainer Specification Chart on pages 475-489



**20761**  
(W710312-S300)  
Black Nylon

Cowl Vent Retainer  
Ford Trucks  
2004 - On

UNIT PACKAGE: 25



**18371**  
(15986343)  
Gray Nylon

Door Trim  
Panel Retainer  
Chevrolet Astro & GMC Safari  
Mini Vans 1994 - On

UNIT PACKAGE: 25



**20366**  
(W701855-S300)  
Black Nylon

Fender Liner &  
Mud Flap Retainer  
Ford Explorer &  
Mountaineer 2002 - On

UNIT PACKAGE: 25



**20192**  
(Ford: W707889-S300)  
Black Nylon

Mud Flap Retainer  
Ford Expedition &  
F-150 1997 - On

UNIT PACKAGE: 25



**14032**  
(15588078)  
Black Nylon

Pillar Cover Retainer  
GM Truck 1985 - On

UNIT PACKAGE: 10



**20926**  
(W710532-S300)  
Black Nylon

Rocker Moulding Retainer  
Ford Mustang  
2005 - On

UNIT PACKAGE: 25



**22180**  
(Ford: W714076-SS3JA)  
Black Nylon

Cowl, Interior Trim &  
Splash Shield Retainer  
Ford F150 & Mustang 2015 - On

UNIT PACKAGE: 25



**14036**  
(14074081)  
Black Nylon

Rear Hood Seal Retainer  
GM 1983 - On

UNIT PACKAGE: 25



**14035**  
(22527720)  
Natural Nylon

Hood Seal Retainer  
GM 1981-On

UNIT PACKAGE: 25



# TRIMMING SUNDRIES & FASTENERS

Refer to Retainer Specification Chart

Roof Trim & Garnish Retainer  
Ford Explorer 1992-On



**19352**  
(N807155-S)  
Medium Mist Gray

UNIT PACKAGE: 25

**19354**  
(N807155-S)  
Medium Camel Tan

UNIT PACKAGE: 25



**19855**  
(4717224)  
Black Nylon

Trim Panel Retainer  
Chrysler Concorde, Intrepid, LHS,  
New Yorker, Vans & Vision 1993 - On

UNIT PACKAGE: 50



**10831**  
(GM: 332364, 14093311, 20732399;  
Ford: 389358, W701259-S300;  
Chry: 3691590, 6031321, 6505411-AA,  
AMC: 4004569)  
Black Nylon

Fender & Bumper Shield Retainer  
GM, Ford, Chrysler & AMC

UNIT PACKAGE: 50

**16259**

Same as 10831 except for unit package quantity

UNIT PACKAGE: 100



**10832**  
(GM: 6270163;  
Chry: 6030538)  
Gray Nylon

Fender & Bumper Shield Retainer  
GM 1973 - On  
Chrysler

UNIT PACKAGE: 50



**15664**  
White Nylon

Fender & Bumper Shield Retainer  
**White version of 10831**  
GM, Ford, Chrysler & AMC

UNIT PACKAGE: 100



**11146**  
(GM: 11569768, 15958694, 1605396;  
Chry: 6030441;  
Ford: 388577S, W705589-S300)  
Black Nylon

Radiator Yoke, Fender &  
Bumper Shield Retainer  
GM, Ford & Chrysler

UNIT PACKAGE: 25

**15414**

Same as 11146 except for unit package quantity

UNIT PACKAGE: 100



**19790**  
(Not Available from O.E.M.)  
Gray Nylon

Trim Panel Retainer  
**Gray version of 11146**  
GM, Ford & Chrysler

UNIT PACKAGE: 50



**19250**  
(Not Supplied by O.E.M.)  
White Nylon

Trim Panel Retainer  
**White version of 11146**

UNIT PACKAGE: 25



**21756**  
(Not Available from O.E.M.)  
Clear Nylon

Trim Panel Retainer  
**Clear version of 11146**  
Universal

UNIT PACKAGE: 50



**17664**  
(GM: 10121502; Chry: 6033082,  
6033840; Ford: 390018-S)  
Black Nylon

Shield Retainer  
Battery Post Cable Shield,  
Engine Splash Shield  
Radiator Side Air Baffle  
GM 1989-On

UNIT PACKAGE: 50

# TRIMMING SUNDRIES & FASTENERS

Refer to Retainer Specification Chart on pages 475-489



**17612**

(Chry: 6504043; Ford: N807721-S)  
Black Nylon

Trim Panel Retainer  
Ford Explorer 1993 - On  
Trunk Lid Latch  
Chrysler 1996 - On

UNIT PACKAGE: 50

Trim Panel Retainer Ford Explorer, Mountaineer,  
Windstar & Ranger 1991-On



**19371**

(N807154-S)  
Dark Denim (Blue) Nylon

UNIT PACKAGE: 50



**19373**

(N807154-S)  
Zuca Granite (Light Gray)  
Nylon

UNIT PACKAGE: 50



**19374**

(N807154-S)  
Medium Prairie Tan Nylon

UNIT PACKAGE: 50



**20878**

(90467-A0008)  
Black Nylon

Bumper Cover Retainer  
Toyota, Lexus & Scion 1995 - On

UNIT PACKAGE: 50



**16775**

(Honda: 90667-SA7-0030;  
Nissan: 89427-98070)  
Black Nylon

Trim Panel Retainer  
Honda & Nissan

UNIT PACKAGE: 25



**19121**

(90467-08104)  
Gray Nylon

Roof Headliner Retainer  
Toyota MR2 1990 - On

UNIT PACKAGE: 15



**21026**

(4860379-AA)  
Black Nylon

Door Trim Panel Retainer  
Dodge 300 Series, Magnum  
& Charger 2005 - On

UNIT PACKAGE: 25



**16132**

Black Nylon

Trim Panel Retainer  
Universal

UNIT PACKAGE: 25



**15543**

(GM: 22547243, 11610086,  
Chry: 6501916)  
Black Nylon

Splash Shield &  
Wheel Well Cover Retainer  
Chrysler 1988 - On  
Hood Seal Retainer  
GM 1989 - On

UNIT PACKAGE: 50



**21392**

(1H0-819-055-B01C)  
Black Nylon

Instrumental Panel, Cowl Vent,  
Defroster Grille & Ducts Retainer  
Phillips Drive  
Audi and Volkswagen Cabrio,  
Golf & Jetta 2002 - 1993

UNIT PACKAGE: 25



**21257**

(Chry: 6508727-AA;  
Ford: W706815-S300)  
Black Nylon

Trunk Trim and Insulator Retainer  
Ford Focus, Fusion, Milan,  
MKZ & Zephyr 2006 - On

UNIT PACKAGE: 25

# TRIMMING SUNDRIES & FASTENERS

Refer to Retainer Specification Chart on pages 475-489



**21906**  
(Renault & Dacia: 77-03-077-090)  
Black Nylon

Trim Panel Retainer  
Renault & Dacia

UNIT PACKAGE: 10



**21868**  
(Peugeot & Citroen: 6999.R1;  
Renault & Dacia: 77-03-077-174)  
Black Nylon

Trim Panel Retainer  
Peugeot, Citroen,  
Renault & Dacia

UNIT PACKAGE: 25



**17076**  
(GM: 94145515;  
Isuzu: 8941455150)  
Black Nylon

Inner Fender Shield &  
Bumper Fascia Retainer  
Geo Storm & Isuzu 1990 - On

UNIT PACKAGE: 25



**19834**  
(15975244)  
Black Nylon

Wiring Harness &  
Headliner Retainer  
Engine Wiring Harness,  
Tailgate, Headliner & Air Cleaner  
GM C, E, K, S & T Trucks 1994 - On

UNIT PACKAGE: 50



**19837**  
(Not Available from O.E.M.)  
Black Nylon

Trim Panel Retainer  
Chrysler

UNIT PACKAGE: 50



**19127**  
(N808370-S)  
Black Nylon

Carpet Retainer  
Ford Taurus & Sable 1996 - On

UNIT PACKAGE: 25



**18685**  
(3548804)  
Black Nylon

License Plate Bracket &  
Bumper Fascia Retainer  
Cadillac Eldorado & Seville 1995 - On

UNIT PACKAGE: 25



**20189**  
(GM: 16674629;  
Ford: N806113-S; Chry: 6503943)  
Black Nylon

Trim Panel Retainer  
Cadillac Concours, DeVille & Seville;  
Chevrolet Impala, Lumina & Monte Carlo;  
Dodge Ram & Dakota; Ford and Pontiac  
Grand Prix 1995 - On

UNIT PACKAGE: 50



**21905**  
(Renault & Dacia: 82-00-721-200)  
Gray Nylon

Trim Panel Retainer  
Renault & Dacia

UNIT PACKAGE: 25



**20319**  
(W700671-S300)  
Black Nylon

Hood Insulation Retainer  
Ford Contour & Mystique 1995 - On

UNIT PACKAGE: 25



**21900**  
(Renault & Dacia: 77-03-077-453)  
Black Nylon

Trim Panel Retainer  
Renault & Dacia

UNIT PACKAGE: 15



**20360**  
(GM: 22189414;  
Chry: 6505667-AA)  
Black Nylon

Engine Compartment &  
Front End Retainer  
Buick LeSabre, Park Ave.,  
Rendezvous, & Riviera;  
Cadillac DeVille & Seville;  
Chevrolet Venture, Oldsmobile  
Silhouette and Pontiac Aztek,  
Bonneville & Montana 2000 - On  
Chrysler 2010 - On

UNIT PACKAGE: 25

# TRIMMING SUNDRIES & FASTENERS

Refer to Retainer Specification Chart



**21248**  
(15944588)  
Tan Nylon

Headliner Retainer  
Chevrolet Malibu 2004 - On

UNIT PACKAGE: 25



**19760**  
(N807535-S)  
Black Nylon

Kick Plate Retainer  
Ford Ranger 1993 - On

UNIT PACKAGE: 50



**21301**  
(11610747)  
Black Nylon

Grille Retainer  
**Use with 21302**  
Cadillac SRS & SRX and Chevrolet  
Camaro 2010 - On

UNIT PACKAGE: 25



**21338**  
(15802005)  
Black Nylon

Fender & Headliner Retainer  
GM Acadia, Camaro, Enclave, Traverse,  
& Saturn Outlook 2008 - On

UNIT PACKAGE: 25



**15523**  
(E9SB-6302354-ACW)  
Black Nylon

Cowl Side Trim Retainer  
Ford T-Bird & Cougar  
1989 - On

UNIT PACKAGE: 25



**19541**  
(6504135)  
Black Nylon

Hood Insulation Retainer  
Chrysler Mini-Vans & Durango 1997 - On

UNIT PACKAGE: 50



**21691**  
(Suzuki: 09409-06309-5ES)  
Black Nylon

Hood Insulation  
Retainer  
Grand Vitara, Swift &  
XL7 1990 - On

UNIT PACKAGE: 25



**10332**  
(2998430)  
Black Nylon

Radiator Grille Retainer  
Chrysler

UNIT PACKAGE: 25



**21090**  
(24501057)  
Black Nylon

Fender Apron &  
Radiator Baffle Retainer  
Cadillac Escalade,  
Chevrolet Denali & Tahoe,  
GMC Yukon and  
Hummer H3 2006 - On

UNIT PACKAGE: 25



**15481**  
(6501067)  
Black Nylon

Fascia Retainer  
Chrysler 1985-On

UNIT PACKAGE: 50



**21809**  
(Peugeot & Citroen: 6983.17)  
Black Nylon

Retainer  
Peugeot & Citroen

UNIT PACKAGE: 25

# TRIMMING SUNDRIES & FASTENERS

Refer to Retainer Specification Chart

**15480**

(Ford: N802734S; GM: 22718305)  
Black Nylon



Trim Panel & Hood  
Insulation Retainer  
Ford 1983 - On  
GM 1997 - On

UNIT PACKAGE: 50

**19197**

(N802734-S)  
Medium Opal (Gray) Nylon

UNIT PACKAGE: 50

**12731**

(20319841)  
Black Nylon



Seat Back Retainer  
GM Camaro & Firebird 1982 - On

UNIT PACKAGE: 25

**20281**

(11518201)  
Black Nylon



Bumper Fascia Retainer  
Pontiac Grand Am 1999 - On

UNIT PACKAGE: 15

**11673**

(GM: 2048248; Chry: 6003423)  
Natural Nylon



Interior Trim Panel Retainer  
GM & Chrysler 1977 - On

UNIT PACKAGE: 50

**11351**

(Ford: 385661-S;  
Chry: 6032363; VW: N989022)  
Black Nylon



Door Trim Panel Retainer  
Ford, Chrysler & VW 1975 - On

UNIT PACKAGE: 25

**21907**

(Renault & Dacia: 82-00-321-368)  
Gray Nylon



Trim Panel Retainer  
Renault & Dacia

UNIT PACKAGE: 10

**12571**

(389443-S)  
Black Nylon



Fascia to Bumper Retainer  
Ford 1981 - On

UNIT PACKAGE: 25

**21805**

(Renault: 77-03-077-435)  
Black Nylon



Retainer  
Renault and Dacia

UNIT PACKAGE: 25

**21806**

(Renault: 77-03-077-225)  
Black Nylon



Retainer  
Renault and Dacia

UNIT PACKAGE: 25

**21914**

(Renault & Dacia:  
77-03-074-315)  
Black Nylon



Trim Panel Retainer  
Head Diameter: 40mm  
Stem Diameter: 10.5mm  
Stem Length: 26mm  
Renault & Dacia

UNIT PACKAGE: 10



**FACCA | AUTOMOTIVE**

# TRIMMING SUNDRIES & FASTENERS

Refer to Retainer Specification Chart



**20316**

(Ford: 388904-S;  
Chry: 4381395, 6501086)  
Black Nylon

Door Frame Spacer Retainer

**Replaces 14042**

Chrysler 1985 - On  
Bumper Retainer  
Ford 1981 - On

UNIT PACKAGE: 50



**20262**

(22642756)  
Black Nylon

Trunk Trim Retainer  
Chevrolet Cavalier &  
Pontiac Sunfire 1995 - On

UNIT PACKAGE: 25



**20362**

(15056810)  
Black Nylon

Bumper Fascia Retainer  
GM S & T Trucks 2002 - On

UNIT PACKAGE: 25



**21789**

(VW: 1H0-867-199-01C)  
Black Nylon

Radiator Grille, Scuff Plate,  
Sill & Trim Panel Retainer  
Volkswagen & Audi 1997 - On

UNIT PACKAGE: 25



**12766**

(22512276)  
Black Nylon

Front End Stone Shield Retainer  
GM 1981 - On

UNIT PACKAGE: 25

**16262**

Same as 12766 except for unit package quantity

UNIT PACKAGE: 50



**12137**

(1619321)  
Black Nylon

Radiator Apron Panel Retainer  
GM 1977 - On

UNIT PACKAGE: 25

**16263**

Same as 12137 except for unit package quantity

UNIT PACKAGE: 50



**18679**

(20652520)  
Gray Nylon

Compensator Panel to  
Quarter Panel Retainer  
Buick Century & Skylark, Cadillac  
Fleetwood and Olds Calais 1992 - 83

UNIT PACKAGE: 25



**15478**

(GM: 1631564;  
Ford: N804379S, W706358-S300)  
Black Nylon

Bumper Fascia Retainer  
Buick, Cadillac & Olds 1981 - On  
Taurus & Sable 1986 - On

UNIT PACKAGE: 50



**18771**

(6502104)  
Black Nylon

Headlight Mounting Panel to Cross  
Member Sight Shield Retainer  
Dodge Daytona 1993

UNIT PACKAGE: 25



**18680**

(10229437, 10242316)  
Black Nylon

Headliner Trim Finish Panel Retainer  
Buick Skylark, Chevrolet Camaro,  
Cavalier, Lumina & Monte Carlo,  
Oldsmobile Cutlass and Pontiac Firebird,  
Grand Am, Grand Prix & Sunfire 1992 - On

UNIT PACKAGE: 25

# TRIMMING SUNDRIES & FASTENERS

Refer to Retainer Specification Chart



**19501**  
(10249241)  
Tan Nylon

Headliner Trim Panel Retainer  
Buick Century, Regal & Skylark;  
Chevrolet Camaro, Cavalier, Lumina,  
Monte Carlo & Venture; Oldsmobile  
Silhouette and Pontiac Firebird,  
Grand Am, Sunfire &  
Trans Sport 1995 - On

UNIT PACKAGE: 25



**18688**  
(10220168, 10241518)  
Gray Nylon

Headliner Trim Finish Panel Retainer  
Buick Century & Regal, Chevrolet  
Caprice, Camaro, Lumina & Monte Carlo,  
Olds Cutlass Ciera and Pontiac Firebird &  
Grand Prix 1992 - On

UNIT PACKAGE: 50



**20345**  
(15006827)  
Gray Nylon

Headliner Retainer  
GM C & K Trucks 2000 - On

UNIT PACKAGE: 25



**22338**  
(VW: 3C0-863-559)  
Black Nylon

Wheel House Cover Mount &  
Interior Trim Retainer  
Volkswagen Passat &  
CC 2012 - 2006

UNIT PACKAGE: 25



**20625**  
(Ford: XW7Z-6302354-AAB)  
Tan Nylon

Headliner Retainer  
Ford Expedition & Navigator  
2003 - On

UNIT PACKAGE: 25



**12759**  
(14027471)  
Black Nylon

Trim Panel Retainer  
GM Trucks 1981 - On

UNIT PACKAGE: 25



**12909**  
(388930-S)  
Black Nylon

Trim Panel Retainer  
Ford 1980 - On

UNIT PACKAGE: 50



**20874**  
(90467-07049-CO)  
Black Nylon

Trim Panel Retainer  
Lexus 2000 - On

UNIT PACKAGE: 25



**15479**  
(N804349S)  
Black Nylon

Interior Trim Retainer  
Ford 1986-On

UNIT PACKAGE: 25



**21241**  
(W706635-SSW)  
Black Nylon

Rocker, Pillar &  
Fender Liner Retainer  
Ford Fusion & Taurus 2009 - On

UNIT PACKAGE: 50



**22053**  
(Ford: W715951-S300)  
Black Nylon

Rear Body &  
Interior Trim Retainer  
Ford Escape 2013 - On

UNIT PACKAGE: 15

# TRIMMING SUNDRIES & FASTENERS

Refer to Retainer Specification Chart



Trim & Garnish Retainer  
Ford Vans 1992 - On

**19845**

(E8FZ-5802354A)  
Medium Graphite Nylon

UNIT PACKAGE: 25

**19846**

(F2UZ-1602354AAA)  
Black Nylon

UNIT PACKAGE: 25



**18277**  
(N806344-S)  
Gray

Roof Trim Panel &  
Garnish Moulding Retainers  
Ford Ranger 1992-On

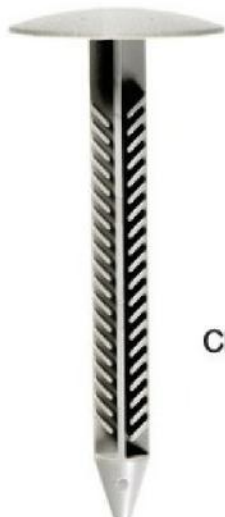
UNIT PACKAGE: 25



**21228**  
(10444839)  
Tan Nylon

Headliner Retainer  
Chevrolet Express Van &  
GMC Savana Van 2004 - On

UNIT PACKAGE: 25



**21287**  
(25822063)  
Opal Gray Nylon

Headliner Retainer  
Chevrolet Silverado Hybrid 2010 - On

UNIT PACKAGE: 25



**21288**  
(65846-4Z000)  
Black Nylon

Hood Insulation Retainer  
Nissan Altima 2010 - On

UNIT PACKAGE: 15



**19468**  
(65846-40F00)  
Black Nylon

Hood Insulation Retainer  
Infiniti J30, M30 & Q45 1989 - On

UNIT PACKAGE: 15



**21380**  
(15989431)  
Black Nylon

Hood Insulation Retainer  
Chevrolet Traverse 2010 - On

UNIT PACKAGE: 25



**22211**  
(Subaru: 909207031)  
Black Nylon

Hood Insulation Retainer  
Subaru BRZ, Forester, Impreza,  
WRX & XV Crosstrek 2012 - On

UNIT PACKAGE: 50



**15998**  
(90700-SB2-003)  
Black Nylon

Hood Insulation Retainer  
Honda Prelude 1985 - On

UNIT PACKAGE: 15



**21421**  
(909130074)  
Black Nylon

Hood Insulation Retainer  
Subaru Baja, Forester, Impreza,  
Legacy, Outback & Tribeca 1998 - On

UNIT PACKAGE: 15



**21443**  
(11571159)  
Black Nylon

Hood Insulation Retainer  
Chevrolet Cruze 2011 - On

UNIT PACKAGE: 25



# TRIMMING SUNDRIES & FASTENERS

Refer to Retainer Specification Chart



**21313**  
(W708633-S300)  
Black Nylon

Hood Insulation Retainer  
Ford Fusion 2010 - On

UNIT PACKAGE: 25



**11842**  
(N-800387-S)  
Black Nylon

Dashboard Retainer  
Ford 1979 - On

UNIT PACKAGE: 25



**11350**  
(4005250)  
White Nylon

Door Panel Retainer  
American Motors 1976 - On

UNIT PACKAGE: 25



**17381**  
(N805315)  
Gray Nylon

Headliner Retainer  
Ford Aerostar 1986 - On

UNIT PACKAGE: 10



**19338**  
(Chry: 6504098;  
Ford: N808842-S)  
Black Nylon

Hood Insulation Retainer  
Chrysler Sebring 1996 - On  
Ford Taurus, Sable & Mark VIII 1996 - On

UNIT PACKAGE: 50



**22233**  
(GM: 11611677)  
Black Nylon

Hood Insulation Retainer  
Cadillac ELR, Chevrolet Colorado &  
Volt and GMC Canyon 2011 - On

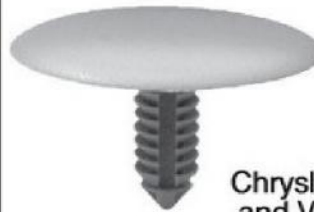
UNIT PACKAGE: 10



**20615**  
(11517992)  
Black Nylon

Fender Liner Retainer  
Pontiac Bonneville 2000 - On

UNIT PACKAGE: 25



**20541**  
(TY98TL2-AA)  
Tan Nylon

Headliner Retainer  
Chrysler Caravan, Town & Country  
and Voyager Mini-Vans 2001 - On

UNIT PACKAGE: 25



**15457**  
(20030401)  
Black Polypropylene

Hood Insulation Retainer  
GM 1980 - On

UNIT PACKAGE: 25



**21385**  
(89026634)  
Light Gray Nylon

Headliner Retainer  
Chevrolet Impala 2010 - On

UNIT PACKAGE: 25



**21386**  
(89026635)  
Tan Nylon

Headliner Retainer  
Chevrolet Impala 2010 - On

UNIT PACKAGE: 25



**15456**  
(20064875)  
Black Nylon

Hood Insulation Retainer  
GM 1980 - On

UNIT PACKAGE: 25

# TRIMMING SUNDRIES & FASTENERS

Refer to Retainer Specification Chart



**11130**  
(3078511, 3977775)  
Black Nylon

Hood Insulation  
Retainer  
GM 1964 - On

UNIT PACKAGE: 25



**16863**  
(N803613S)  
Black Nylon

Hood Insulation Retainer  
Ford Bronco, Explorer &  
Ranger 1988 - On

UNIT PACKAGE: 25



**15668**  
(N803387)  
Black Nylon

Trim Panel Retainer  
Ford

UNIT PACKAGE: 25



**17215**  
(21039141)  
Black Nylon

Hood Insulation Retainer  
GM Saturn 1991 - On

UNIT PACKAGE: 25



**21227**  
(25749564)  
Tan Nylon

Headliner Retainer  
Chevrolet Express Van  
& GMC Savana Van 2004 - On

UNIT PACKAGE: 15



**21891**  
(VW: N905-333-01)  
Black Nylon

Hood Insulation Retainer  
VW, Audi, SEAT & Skoda

UNIT PACKAGE: 15



**18827**  
(6503892)  
Black Nylon

Hood Insulation Retainer  
Chrysler Cirrus & Stratus 1995 - On

UNIT PACKAGE: 50



**19655**  
(386553-S)  
Black Nylon

Hood Insulation Retainer  
**Replaces** 13571  
Ford 1975 - On

UNIT PACKAGE: 25



**14163**  
(388908-S)  
Black Nylon

Hood Insulation  
Retainer  
Ford 1975- On

UNIT PACKAGE: 50



**17975**  
(Chry: 6502842,  
GM: 21039129)  
Black Nylon

Hood Insulation Retainer  
Chrysler Concorde, Dodge Intrepid  
& Eagle Vision 1993 - On  
GM Corvette, Equinox & Saturn 1992 - On

UNIT PACKAGE: 50



**21211**  
(53326-08010)  
Black Nylon

Hood Insulation Retaining Clip  
Toyota Sienna 2009 - On

UNIT PACKAGE: 25



**20164**  
(4878883AA)  
Black Nylon

Hood Insulation Retainer  
Chrysler LH & LHS Series 1997 - On

UNIT PACKAGE: 50

# TRIMMING SUNDRIES & FASTENERS

Refer to Retainer Specification Chart



**21652**  
(91501-SWA-003)  
Black Nylon

Hood Insulation Retainer  
Honda Civic 2012 - On

UNIT PACKAGE: 25



**17004**  
(4341060)  
Black Nylon

Hood Insulation &  
Fender Shield Retainer  
Chrysler 1985- On

UNIT PACKAGE: 25



**19155**  
(4428987)  
Black Nylon

Hood Insulation Retainer  
Dodge Ram 1994 - On

UNIT PACKAGE: 25



**17237**  
(Nissan: 65832-F5000  
65846-30F00)  
Black Nylon

Hood Insulation Retainer  
Mercury Villager 1999 - On  
Nissan 1981 - On

UNIT PACKAGE: 15



**18746**  
(90700-SJ4-000)  
Black Nylon

Hood Insulation Retainer  
Head Diameter: 30mm  
Stem Diameter: 15mm x 18mm  
Stem Length: 6mm  
Acura Legend 1991 - On  
Honda 1998 - On

UNIT PACKAGE: 15



**20609**  
(91501-S1K-003, 91501-STK-003)  
Black Nylon

Hood Insulation Retainer  
Acura 3.5RL & RSX and  
Honda Civic & CR-V 2000 - On

UNIT PACKAGE: 25



**22168**  
(GM: 13265959)  
Black Nylon

Hood Insulation Retainer  
Cadillac Catera 2001 - 1997 &  
Buick Regal 2011 - On

UNIT PACKAGE: 25



**22103**  
(Toyota: 53857-47011)  
Black Nylon

Front Fender Retainer with Sealer  
Lexus CT 200h and Toyota Camry, Prius,  
RAV4, Yaris & 4-Runner 2010 - On

UNIT PACKAGE: 15



**13467**  
(GM: 7642589;  
AMC: 4001934)  
Black Nylon

Firewall Insulation Retainer  
GM & AMC

UNIT PACKAGE: 25



**21776**  
(BMW: 51-77-7-171-003)  
Black Nylon

Rocker Panel & Wheel Housing  
Retainer with Rubber O-Ring  
X Series 2006 - On

UNIT PACKAGE: 25



**13757**  
(389809)  
Black Nylon

Hood Insulation Retainer  
2" Square  
GM 1980 - On

UNIT PACKAGE: 25

# TRIMMING SUNDRIES & FASTENERS

Refer to Retainer Specification Chart



**17072**

(15659161)  
Black Nylon

Front Door  
Frame Hole Plug  
GM Blazer, Jimmy &  
Pickup 1989 - On

UNIT PACKAGE: 25



**14985**

(2664040)  
White Nylon

Door Weatherstrip Retainer  
Chrysler 1966 - On

UNIT PACKAGE: 100



**21982**

(VW: 251-823-717)  
Black Nylon

Weatherstrip Retainer  
VW, Audi, SEAT & Skoda

UNIT PACKAGE: 25



**21981**

(VW: 1H0-823-717)  
Black Nylon

Weatherstrip Retainer  
VW, Audi, SEAT & Skoda

UNIT PACKAGE: 25



**14299**

(73862-672-003)  
White Nylon

Weatherstrip Retainer  
Honda

UNIT PACKAGE: 50



**20182**

(Not Available from O.E.M.)  
White Nylon

Weatherstrip Retainer  
Chrysler LH & LHS Series 1997 - On

UNIT PACKAGE: 100



**18510**

(20200750)  
Natural Nylon

Hood Seal Retainer  
Buick, Cadillac, Chevrolet,  
GMC & Oldsmobile 1970 - On

UNIT PACKAGE: 100



**22321**

(Hyundai: 86438-2T000)  
Black Nylon

Hood & Bumper Seal Retainer  
Hyundai Elantra &  
Genesis 2013 - On  
Kia K900 & Optima 2011 - On

UNIT PACKAGE: 50



**21382**

(86434-4A000)  
Black Nylon

Hood Seal Retainer  
Hyundai Elantra, Sonata & Tucson  
and Kia Sportage 2009 - On

UNIT PACKAGE: 50



**22320**

(Hyundai: 86438-1R000)  
Black Nylon

Hood Seal Retainer  
Hyundai Accent 2011 - On

UNIT PACKAGE: 50



**22107**

(Nissan: 80850-JM01A)  
Black Nylon

Weatherstrip Retainer  
Nissan Rogue 2008 - On

UNIT PACKAGE: 25



**14328**

(90664-671-003, 91530-SE0-003)  
White Nylon

Weatherstrip Retainer  
Honda

UNIT PACKAGE: 50

# TRIMMING SUNDRIES & FASTENERS

Refer to Retainer Specification Chart



**20180**  
(Not Available from O.E.M.)  
Black Nylon

Weatherstrip Retainer  
Chrysler LH & LHS Series 1997 - On

UNIT PACKAGE: 100



**8853**  
(C5AB-6220586A)  
Natural Nylon

Door Weatherstrip Retainer  
Ford

UNIT PACKAGE: 50



**10744**  
(4876498)  
Black Nylon

Weatherstrip Retainer  
GM

UNIT PACKAGE: 100



**21143**  
(51-71-1-496-621)  
Black Nylon

Rocker Moulding Retainer  
Mini-Cooper 2002 - On

UNIT PACKAGE: 25



**19678**  
(Not Available from O.E.M.)  
White Nylon

Weatherstrip Retainer  
Ford Windstar 1995 - On

UNIT PACKAGE: 50



**19449**  
(10403591)  
Black Nylon

Rear Bumper Fascia Retainer  
Oldsmobile Intrigue &  
Pontiac Grand Prix 1998 - On

UNIT PACKAGE: 25



**18509**  
(4040732)  
Black Nylon

Weatherstrip Retainer Hood Inner  
Panel to Cowl & Door Weatherstrip  
Dodge F.W.D. Pick-Up 1989 - 82

UNIT PACKAGE: 100



**22310**  
(Mercedes: 001-988-97-81)  
White Nylon

Scuff Plate Retainer  
Mercedes-Benz C230, C280, C350,  
C55, CLK350, CLK500, CLK55, CLK63,  
S350 & S430 2009 - 2006

UNIT PACKAGE: 25



**21381**  
(86438-4A100)  
Black Nylon

Hood Seal Retainer  
Hyundai Elantra & Tucson and  
Kia Forte & Sportage 2009 - On

UNIT PACKAGE: 50



**19418**  
(GM: 480534;  
Ford: 384051-S)  
Black Nylon

Cowl Insulation Retainer  
GM  
Splash Shield and Wire Retainer  
Ford

UNIT PACKAGE: 25



**19425**  
(385677)  
Natural Nylon

Weatherstrip Retainer  
Ford

UNIT PACKAGE: 50



**21125**  
(Not Available from O.E.M.)  
Black Nylon

Front Bumper Retainer  
Cadillac STS 2005 - On

UNIT PACKAGE: 15

# TRIMMING SUNDRIES & FASTENERS

Refer to Retainer Specification Chart



**21694**  
(Lexus: 67867-50020)  
Black Nylon

Weatherstrip Retaining Clip  
Lexus GS 300 &  
LS 400 2005 - 1990

UNIT PACKAGE: 25



**19325**  
(MU481027)  
Brown Nylon

Hood Weatherstrip Retainer  
Mitsubishi Eclipse & Diamante 1991 - On

UNIT PACKAGE: 25



**21552**  
(90467-04034)  
White Nylon

Weatherstrip Retainer  
Lexus CT 200h, HS 250h, IS F, IS 250, IS 350, LS 460,  
LS 600h, RX 350, RX 400h & RX 450h and Toyota  
Avalon, Corolla, Highlander, Matrix, Prius,  
RAV-4, Scion & Venza 2003 - On

UNIT PACKAGE: 25



**20760**  
(Not Available from O.E.M.)  
Natural Nylon

Weatherstrip Retainer  
Chrysler 300 & Dodge Magnum 2005 - On

UNIT PACKAGE: 100



**19850**  
(N806340-S)  
Natural Nylon

Weatherstrip Retainer  
Ford F150 1999 - On

UNIT PACKAGE: 100



**21565**  
(90331AA050)  
White Nylon

Weatherstrip Retaining Clip  
Subaru Forester 2008 - 03

UNIT PACKAGE: 25



**21334**  
(W711858-S300)  
White Nylon

Weatherstrip Retainer  
Ford Edge & MKX 2007 - On

UNIT PACKAGE: 100



**22162**  
(Not Available From O.E.M.)  
Orange Nylon

Weatherstrip Retainer  
Ford Explorer 2014 - On

UNIT PACKAGE: 100



**19481**  
(GA2A-58-762)  
Blue Nylon

Front & Rear Door  
and Hood Weatherstrip  
Mazda 626 & Millenia 1995 - On

UNIT PACKAGE: 50



**22355**  
(Not Available From O.E.M.)  
Green Nylon

Fender Seal &  
Weatherstrip Retainer  
**Overall Height: 13.5mm**  
Ford Mustang 2015 - On

UNIT PACKAGE: 50



**22356**  
(Not Available From O.E.M.)  
Pink Nylon

Fender Seal &  
Weatherstrip Retainer  
**Overall Height: 13.5mm**  
Ford Mustang 2015 - On

UNIT PACKAGE: 50



**20181**  
(Not Available from O.E.M.)  
White Nylon

Weatherstrip Retainer  
Chrysler LH &  
LHS Series 1997 - On

UNIT PACKAGE: 100



**19368**  
(10283414, 10405030)  
Natural Nylon

Door Weatherstrip Retainer  
Buick Century & Regal and  
Oldsmobile Intrigue 1997 - On

UNIT PACKAGE: 100

# TRIMMING SUNDRIES & FASTENERS

Refer to Retainer Specification Chart



**21980**

(VW: 1Z0-837-732A)  
Yellow Nylon

Weatherstrip Retainer  
VW, Audi, SEAT & Skoda

UNIT PACKAGE: 25



**22325**

(Hyundai: 87756-2W000)  
Red Nylon

Weatherstrip Retainer  
Hyundai Santa Fe &  
Kia Sorento 2013 - On

UNIT PACKAGE: 100



**22302**

(Not Available from O.E.M.)  
Yellow Nylon

Weatherstrip Retainer  
**Overall Height: 12.5mm**  
Ford F-150 & Super Duty Trucks and  
Lincoln Mark LT 2003 - On

UNIT PACKAGE: 50



**20831**

(Not Available from O.E.M.)  
Blue Nylon

Weatherstrip Retainer  
Ford Explorer 2005 - On

UNIT PACKAGE: 100



**22060**

(Nissan: 65810-K2002)  
Black Nylon

Hood Seal Retaining Clip  
Infiniti 2003 - 1997  
Nissan 2003 - 1996

UNIT PACKAGE: 25



**18692**

(Ford: E7GZ-6120586-B;  
Hyundai: 86438-2B000;  
Mazda: G031-58-762;  
Toyota: 67868-89101,  
67867-28030, 67867-89103)  
Natural Nylon

Weatherstrip Retainer  
Toyota 4-Runner 1989-83  
Mazda 1996 - On; Ford 1996 - On  
Hyundai 2007- On; Kia 2009 - On

UNIT PACKAGE: 50



**21229**

(65810-K2000)  
Black Nylon

Hood Seal Retaining Clip  
Infiniti 130, 135, Q45 &  
QX4 and Nissan Maxima &  
Pathfinder 2004 - 1996

UNIT PACKAGE: 25



**19171**

(91568-SR2-003)  
Green Nylon

Weatherstrip Retainer  
Honda Odyssey 1995 - On

UNIT PACKAGE: 100



**19749**

(67867-12150)  
White Nylon

Weatherstrip Retainer  
Toyota Avalon 1995 - On

UNIT PACKAGE: 15



**20443**

(67867-0C010)  
Black Nylon

Weatherstrip Retainer  
Toyota Tundra 1999 - On

UNIT PACKAGE: 25



# TRIMMING SUNDRIES & FASTENERS

Refer to Retainer Specification Chart



**21773**

(Honda: 91530-S0A-003)  
Black Nylon

Roof Rail & Side Sill  
Weatherstrip Retainer  
Acura Legend, MDX, RDX, RL,  
TL & ZDX 1998 - On  
Honda Accord, Civic, CRV, Element  
& Odyssey 2001 - On

UNIT PACKAGE: 25



**21705**

(Honda: 90651-TP8-003,  
91568-TR0-003)  
Yellow Nylon

Weatherstrip Retainer  
Acura ILX & RDX and  
Honda Civic & CR-V 2012 - On

UNIT PACKAGE: 25



**21707**

(Honda: 91563-SCV-003)  
(Toyota: 67867-52010,  
67867-0D060)  
White Nylon

Weatherstrip Retainer  
Acura TL and Honda Element  
Odyssey & Pilot 2003 - On  
Toyota Echo, Land Cruiser,  
Prius, Tacoma & Yaris and  
Lexus GS 450, GX 460 & LX 430  
and Scion xA & xD 2000 - On

UNIT PACKAGE: 25



**21704**

(Honda: 72311-S5S-003)  
Green Nylon

Weatherstrip Retaining Clip  
Acura RDX and Honda Civic,  
CR-V & Fit 2003 - On

UNIT PACKAGE: 25



**18877**

(91530-SP1-003)  
Nylon

Weatherstrip Retainer  
Acura 3.5 RL & Honda Accord,  
Civic, & Odyssey 1992 - On

UNIT PACKAGE: 25



**22337**

(Hyundai: 82132-27100)  
White Nylon

Door Weatherstrip Retainer  
Hyundai Azera, Santa Fe &  
Sonata 2001 - On

UNIT PACKAGE: 25



**19116**

(91530-ST5-003)  
Natural Nylon

Weatherstrip Retainer  
Honda Civic 1995 - On

UNIT PACKAGE: 10



**17339**

(N806289-S)  
Black Nylon

Weatherstrip Retainer  
Lincoln 1989 - On

UNIT PACKAGE: 50



**19684**

(01553-09311)  
Blue Nylon

Weatherstrip Retainer  
Nissan Altima & Sentra 1994 - On

UNIT PACKAGE: 25



**21949**

Black Nylon

Weatherstrip Retainer  
Peugeot & Citroen

UNIT PACKAGE: 25



**18033**

(Chry: 4696129;  
GM: 21077575)  
White Nylon

Weatherstrip Retainer  
Chrysler Concorde & LHS  
Dodge Intrepid & Eagle Vision 1993 - On  
Oldsmobile Alero &  
Pontiac Grand Am 1999 - On

UNIT PACKAGE: 50



# TRIMMING SUNDRIES & FASTENERS

Refer to Retainer Specification Chart



**21633**  
(80850-89900)  
White Nylon

Weatherstrip Retainer  
Infiniti 130, 135 & M45 and  
Nissan Maxima 2004 - 2000

UNIT PACKAGE: 25



**19683**  
(91502-S84-A11)  
Black Nylon

Cowl Vent Retaining Clip  
Honda Odyssey 1999 - On

UNIT PACKAGE: 15



**17991**  
(90467-06092)  
Black Nylon

Retaining Clip  
Lexus 1990 - On

UNIT PACKAGE: 10



**18330**  
(94848189, 94848192)  
White Nylon

Front Door Weatherstrip Retainer  
Geo Prizm 1992 - 89

UNIT PACKAGE: 25



**19728**  
(90467-10146)  
Black Nylon

Cowl Panel Retainer  
Toyota Sienna Van 1997 - On

UNIT PACKAGE: 25



**19724**  
(65810-K2009)  
White Nylon

Hood to Cowl Seal Retainer  
Infiniti & Nissan Pathfinder 1992 - On

UNIT PACKAGE: 25



**19483**  
(91515-SR3-000)  
Black Nylon

Rear Hood Cowl  
Weatherstrip Retaining Clip  
Acura Integra, Honda Civic, CR-V  
& Del Sol 1992 - On

UNIT PACKAGE: 25



**19720**  
(90467-06138)  
Black & White Nylon

Hood to Cowl Seal Retainer  
Toyota Avalon & Camry 1994 - On

UNIT PACKAGE: 10



**18508**  
(4001916)  
Black Nylon

Weatherstrip Retainer  
Jeep Wrangler 1991 - On

UNIT PACKAGE: 50



**11136**  
(Ford: 385330-S,  
D30Z-16776-A;  
Chry: 6003351)  
Black Nylon

Hood Insulation Retainer  
Chrysler 1972 - On  
Grille to Radiator Retainer  
Ford 1973 - On

UNIT PACKAGE: 25



**18166**  
(80875-85E00)  
Black Nylon

Trim Panel Retainer  
Nissan Maxima 1989 - On

UNIT PACKAGE: 25



**18818**  
(91513-SE0-003)  
Natural Nylon

Hood Seal Retainer  
Honda Accord & Prelude 1983 - On

UNIT PACKAGE: 25



**21919**  
Black Nylon

Weatherstrip Retaining Clip  
Peugeot, Citroen, Renault & Dacia

UNIT PACKAGE: 25

# TRIMMING SUNDRIES & FASTENERS

Refer to Retainer Specification Chart



**21918**

(Peugeot & Citroen: 9025.J8)  
Black Nylon

Weatherstrip Retaining Clip  
Peugeot, Citroen, Renault & Dacia

UNIT PACKAGE: 25



**21920**

Black Nylon

Weatherstrip Retaining Clip  
Peugeot, Citroen, Renault & Dacia

UNIT PACKAGE: 25



**21295**

(01553-08961)  
Black Nylon

Weatherstrip Retaining Clip  
Nissan Altima 2009 - On

UNIT PACKAGE: 25



**3639**

(C1AB-6220807-A)  
White Nylon

Door Flange Weatherstrip Retainer  
Ford

UNIT PACKAGE: 100



**3620**

(4801268)  
Black Nylon

Door Flange Weatherstrip Retainer  
GM

UNIT PACKAGE: 100



**18248**

(55055098)  
Black Nylon

Headlight Grille Retaining Clip  
Dodge Ram 1994 - On

UNIT PACKAGE: 25



**21573**

(90331GA090)  
Black Nylon

Weatherstrip Retaining Clip  
Subaru Forester & Legacy 2008 - 1990

UNIT PACKAGE: 25



**21942**

(Peugeot & Citroen: 6983.24)  
Black Nylon

Trim Retaining Clip  
Peugeot & Citroen

UNIT PACKAGE: 25



**21943**

(Peugeot & Citroen: 8749.Q5)  
Gray Nylon

Trim Retaining Clip  
Peugeot & Citroen

UNIT PACKAGE: 25



**14355**

(01533-00401)  
Black Nylon

Retaining Clip  
Nissan

UNIT PACKAGE: 50



**14291**

(66435-648-000)  
Black Nylon

Retaining Clip  
Honda

UNIT PACKAGE: 50



**14349**

(Mazda: 9926-40-543;  
Nissan: 01553-00291)  
Black Nylon

Retaining Clip  
Mazda & Nissan

UNIT PACKAGE: 50



**19014**

(90467-10123)  
Natural Nylon

Trim Panel Retainer  
Toyota Celica 1993 - On

UNIT PACKAGE: 10



**5592**

(375372-S)  
Black Nylon

Radiator Top Shield Retainer  
Ford

UNIT PACKAGE: 100

# TRIMMING SUNDRIES & FASTENERS



**19467**  
(91501-SL4-003)  
Black Nylon

Front Cowl Retaining Clip  
Acura 3.5 RL 1996 - On

UNIT PACKAGE: 25



**22214**  
(Lexus: 90467-06015-C0)  
Black Nylon

Front & Rear Bumper  
Retaining Clip  
Lexus GS 300, GS 400 &  
GS 430 2005 - 1998

UNIT PACKAGE: 25



**21626**  
(90467-06128)  
Black Nylon

Weatherstrip  
Retaining Clip  
Toyota Camry &  
RAV-4 1992 - On

UNIT PACKAGE: 25



**21296**  
(90080-46010)  
Black Nylon

Hood Seal Retaining Clip  
Toyota Camry 2010 - On

UNIT PACKAGE: 50



**18297**  
(Toyota: 90467-08004, 90467-08011;  
GM: 94842841, 94849113)  
Black Nylon

Hood Seal Retaining Clip  
Lexus, Toyota, Geo Prizm  
& Nova 1985 - On

UNIT PACKAGE: 50



**21695**  
(Toyota: 90467-08045,  
90467-08063)  
Black Nylon

Hood & Weatherstrip  
Retaining Clip  
Toyota Yaris 2007 - On

UNIT PACKAGE: 25



**FACCA | FASTENERS**



**14352**  
(76876-W5000)  
Black Nylon

Retaining Clip  
Nissan

UNIT PACKAGE: 50



**14737**  
(Nissan: 01553-00172;  
Toyota: 90467-07050, 90467-08008)  
Black Nylon

Retaining Clip  
Nissan & Toyota

UNIT PACKAGE: 25



**14282**  
(90687-SA5-003)  
Black Nylon

Retaining Clip  
Honda

UNIT PACKAGE: 50



**17452**  
(01553-00545)  
Black Nylon

Bumper Fascia Retainer  
Nissan Sentra 1990 - On

UNIT PACKAGE: 25



**21692**  
(Lexus: 90467-07137)  
Black Nylon

Fender Panel Retaining Clip  
Lexus ES 350, GS 300,  
GS 450h & IS 250 2006 - On

UNIT PACKAGE: 25

# TRIMMING SUNDRIES & FASTENERS

Refer to Retainer Specification Chart on pages 475-489



**22212**

(Toyota: 53145-60030)  
Black Nylon

Front Bumper, Grille &  
Hood Seal Retaining Clip  
Toyota Avalon, Camry, Highlander,  
Land Cruiser, Prius & Venza and Lexus  
GS 350, GS 450h, IS 250, IS 350, LX 570,  
NX 200t, NX 300h, RX 350 & RX 450h  
and Scion iQ & tC 2008 - On

UNIT PACKAGE: 100



**22001**

(Toyota: 90467-08030)  
Black Nylon

Trim Retaining Clip  
Toyota

UNIT PACKAGE: 25



**21643**

(90467-08101)  
Black Nylon

Hood to Cowl Top Seal  
Retaining Clip  
Lexus ES 300 and Toyota Camry,  
Sequoia, Solara & Tundra 2006 - 1997

UNIT PACKAGE: 25

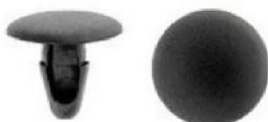


**18157**

(90672-671-003)  
Gray Nylon

Headliner & Cowl Grille  
Retaining Clip  
Honda Accord 1986 - On

UNIT PACKAGE: 25



**14736**

(90467-06161-01)  
Black Nylon

Retaining Clip  
Toyota

UNIT PACKAGE: 25



**19331**

(MB869072)  
Black Nylon

Headliner & Trunk Trim Retaining Clip  
Mitsubishi Diamante 1995 - 91

UNIT PACKAGE: 15



**18271**

(9926-40-531B)  
Black Nylon

Hood Insulation Retainer  
Mazda

UNIT PACKAGE: 25



**17990**

(90467-09138)  
Black Nylon

Retaining Clip  
Lexus 1990 - On

UNIT PACKAGE: 5



**16781**

(Honda: 90670-692-003;  
Toyota: 90467-09065)  
Black Nylon

Retaining Clip  
Honda & Toyota

UNIT PACKAGE: 25



**14348**

(27948-M7002)  
Black Nylon

Retaining Clip  
Nissan

UNIT PACKAGE: 25



**20381**

(Honda: 90667-671-013ZA;  
Mitsubishi: MC440901;  
Nissan: 62660-48600-1)  
Black Nylon

Trim Panel Retaining Clip  
Honda, Mitsubishi & Nissan

UNIT PACKAGE: 25



**19123**

(90467-10107)  
Black Nylon

Fender Apron Seal Clip  
Toyota 2WD & 4WD Truck  
1988 - On

UNIT PACKAGE: 10

# TRIMMING SUNDRIES & FASTENERS

Refer to Retainer Specification Chart



**21634**  
(90467-10186)  
Black Nylon

Dash & Fender Apron Seal  
Retainer  
Lexus and Toyota 1996 - On

UNIT PACKAGE: 25



**22221**  
(Toyota: 90080-46327)  
Black Nylon

Fender Apron Seal Retainer  
Toyota Sequoia, Tacoma  
& Tundra 2000 - On

UNIT PACKAGE: 50



**22286**  
(Nissan: 80287-37F00)  
Natural Nylon

Front Door, Garnish &  
Interior Trim Retaining Clip  
**Overall Height: 11.5mm**  
Infiniti FX35, FX45, G35, G37 &  
Q60 and Nissan Murano 2015 - 2003

UNIT PACKAGE: 25



**22263**  
(Honda: 91504-TBA-A01)  
Black Nylon

Grille Retaining Clip  
Honda Civic 2016 - On

UNIT PACKAGE: 25



**20882**  
(91501-SEA-003)  
Black Nylon

Cowl & Garnish Retainer  
Honda Civic 2006 - On

UNIT PACKAGE: 10



**22054**  
(Honda: 91501-SNA-003)  
Black Nylon

Front Fender, Cowl &  
Dash Retainer  
Honda Civic & CR-V 2014 - 06

UNIT PACKAGE: 15



**20671**  
(01553-0052U)  
Black Nylon

Trim Panel Retaining Clip  
Nissan Frontier &  
Xterra 2000 - On

UNIT PACKAGE: 25



**21757**  
(BMW: 51-48-8-181-420)  
Black Nylon

Trim Panel & Trunk Lining Retainer  
3 Series & 5 Series 2004 - 1988

UNIT PACKAGE: 25



**19729**  
(90467-09050, 90467-A0003)  
Black Nylon

Hood Insulation Retainer  
Lexus, Toyota Camry &  
Solara 1998 - On

UNIT PACKAGE: 15



**19113**  
(90467-08124)  
Black Nylon

Hood Insulation Retainer  
Toyota Supra 1993 - On  
Lexus 1994 - 89

UNIT PACKAGE: 15



**19323**  
(MU481187)  
Black Nylon

Hood Insulation Retainer  
Mitsubishi Diamante 1993 - On

UNIT PACKAGE: 15



**19385**  
(MB020923)  
Gray Nylon

Hood Insulation Retainer  
Jeep Eagle &  
Mitsubishi Eclipse 1992 - On

UNIT PACKAGE: 10



**22082**  
(Mitsubishi: MB655630)  
Black Nylon

Hood Insulation Retainer  
Mitsubishi Diamante &  
Montero 2004 - 1992

UNIT PACKAGE: 15

# TRIMMING SUNDRIES & FASTENERS

Refer to Retainer Specification Chart



**18878**  
(90467-08081)  
Black Nylon

Hood Insulation Retainer  
Toyota Celica 1993 - 89

UNIT PACKAGE: 15



**19112**  
(90467-09004)  
Black Nylon

Hood Insulation Retainer  
Toyota Tacoma 1995 - On

UNIT PACKAGE: 15



**14738**  
(90467-09008)  
Black Nylon

Retaining Clip  
Toyota

UNIT PACKAGE: 25



**18842**  
(90467-09006)  
Black Nylon

Hood Insulation Retainer  
Toyota Avalon, Camry &  
Lexus 1988 - On

UNIT PACKAGE: 15



**21588**  
(80850-CA003)  
Black Nylon

Weatherstrip Retainer  
Nissan Murano & Rouge 2003 - On

UNIT PACKAGE: 25



**21307**  
(BP4K-58-762)  
Black Nylon

Weatherstrip Retaining Clip  
Mazda 2007 - On

UNIT PACKAGE: 25



**18114**  
(91520-SM4-C01)  
Black Nylon

Hood Insulation Retaining Clip  
Honda & Acura 1990 - On

UNIT PACKAGE: 25



**20770**  
(Not Available from O.E.M.)  
Yellow Nylon

Weatherstrip Retainer  
Ford F Series Pick-Ups 2004 - On

UNIT PACKAGE: 100



**19682**  
(91518-S10-003)  
Black Nylon

Hood Seal Retaining Clip  
Honda Odyssey 1999 - On

UNIT PACKAGE: 25



**19114**  
(91518-SM4-003)  
Black Nylon

Hood & Trunk  
Moulding Retaining Clip  
Acura Integra &  
Honda Civic 1994 - On

UNIT PACKAGE: 10



**21880**  
(Peugeot & Citroen: 6999.T4)  
Black Nylon

Weatherstrip Retaining Clip  
Peugeot & Citroen

UNIT PACKAGE: 50



**21879**  
(Peugeot & Citroen: 6995.V6)  
Black Nylon

Hood Insulation Retainer  
Peugeot & Citroen

UNIT PACKAGE: 25



**21520**  
(J001-56-741)  
Black Nylon

Weatherstrip Retaining Clip  
Mazda CX-7, Millenia,  
MPV, 3, 6 & 626 1995 - On

UNIT PACKAGE: 25



**18458**  
(Ford: F1CZ-16774-A;  
Mazda: B455-56-741)  
Black Nylon

Hood Insulation Retaining Clip  
Ford Probe &  
Mazda MX6 1992 - 88

UNIT PACKAGE: 25

# TRIMMING SUNDRIES & FASTENERS

Refer to Retainer Specification Chart



**21497**  
(1H0-837-719)  
Black Nylon

Weatherstrip Retainer  
with Clear Grommet  
Audi A3 and VW Golf, Sharan,  
Transporter & Corsa

UNIT PACKAGE: 25



**14723**  
(62869-N4700)  
Black Nylon

Retaining Clip  
Nissan

UNIT PACKAGE: 25



**17205**  
(91501-SM4-003)  
Black Nylon

Cowl Top Retaining Clip  
Honda Accord 1990 - On

UNIT PACKAGE: 15



**16777**  
(Mazda: B001-68-302-00;  
Toyota: 90950-01248)  
Black Nylon

Retaining Clip  
Mazda & Toyota

UNIT PACKAGE: 25



**14353**  
(76906-T3000)  
Black Nylon

Retaining Clip  
Nissan

UNIT PACKAGE: 50



**22046**  
(Subaru: 91167FA010)  
Black Nylon

Front Hood Cowl Retaining Clip  
Impreza 2001 - 1993

UNIT PACKAGE: 25



**19124**  
(90467-07096)  
Black Nylon

Side Trim Panel Retaining Clip  
Toyota 4WD Truck 1989 - On

UNIT PACKAGE: 10



**21908**  
(Renault & Dacia: 77-03-077-449)  
Black Nylon

Trim Panel Retaining Clip  
Renault & Dacia

UNIT PACKAGE: 25



**21909**  
(Renault & Dacia: 82-00-110-307)  
Gray Nylon

Trim Panel Retaining Clip  
Renault & Dacia

UNIT PACKAGE: 25



**21870**  
(Renault & Dacia: 77-03-077-457)  
Light Gray Nylon

Trim Retaining Clip  
Renault & Dacia

UNIT PACKAGE: 25



**14347**  
(Nissan: 01553-00202;  
Toyota: 90467-10018)  
Black Nylon

Retaining Clip  
Nissan & Toyota

UNIT PACKAGE: 50



**14323**  
(38529-689A-6300)  
Black Nylon

Retaining Clip  
Honda

UNIT PACKAGE: 25



**21758**  
(VW: 801-867-299-01C)  
Black Nylon

Door Side Panel,  
Luggage Compartment  
and Armrest Tray Trim  
Retaining Clip  
Golf, GTI, Jetta & Rabbit 2005 - 1999

UNIT PACKAGE: 25

# TRIMMING SUNDRIES & FASTENERS

Refer to Retainer Specification Chart



**16779**  
(Honda: 74842-659-0030;  
Toyota: 90467-12078)  
Black Nylon

Retaining Clip  
Honda & Toyota

UNIT PACKAGE: 25



**14720**  
(HB-121467)  
Black Nylon

Retaining Clip  
Mitsubishi

UNIT PACKAGE: 25



**14380**  
(8133-50-022)  
Black Nylon

Retaining Clip  
Mazda

UNIT PACKAGE: 25



**22071**  
(GM: 11546805)  
Black Nylon

Front Fender Retainer  
Chevrolet Colorado 2015 - On

UNIT PACKAGE: 50



**21105**  
(001-988-03-25)  
Black Nylon

Hood Insulation Retainer  
Mercedes 2002 - On

UNIT PACKAGE: 15



**21254**  
(90467-08136)  
Black Nylon

Fender Seal Retaining Clip  
Toyota Yaris 2009 - On

UNIT PACKAGE: 25



**14356**  
(01553-00051)  
Black Nylon

Retaining Clip  
Nissan

UNIT PACKAGE: 50



**14319**  
(90687-671-003)  
Black Nylon

Retaining Clip  
Honda

UNIT PACKAGE: 25



**22209**  
(Chrysler: 68033045AA)  
Black Nylon

Front & Rear Fender Flare  
Retainer  
Jeep Wrangler 2007 - On

UNIT PACKAGE: 15



**20543**  
(81126-37010)  
Black Nylon

Hood Insulation Retainer  
Hyundai Elantra & Sonata  
and Kia Optima 1995 - On

UNIT PACKAGE: 15



**22254**  
(Mercedes-Benz: 000-991-74-98)  
Black Nylon

Rocker Moulding Retaining Clip  
Mercedes-Benz C, Cla, Cls, E,  
Gla & S Class 2015 - On

UNIT PACKAGE: 15



**22073**  
(Toyota: 76924-47020)  
Black Nylon

Moulding Retainer  
Lexus CT 200h &  
Toyota Prius 2011 - On

UNIT PACKAGE: 15



# TRIMMING SUNDRIES & FASTENERS

Refer to Retainer Specification Chart



**21551**  
(67869-12050)  
Black Nylon

Weatherstrip Retainer  
Toyota Corolla &  
Prius 2007 - 01

UNIT PACKAGE: 25



**21991**  
(VW: 6L6-853-575A)  
Black Nylon

Retaining Clip  
VW, Audi, SEAT & Skoda

UNIT PACKAGE: 10



**21509**  
(357-853-575)  
White Nylon

Retainer  
With Gray Grommet  
VW Golf, Jetta,  
Passat & Scirocco

UNIT PACKAGE: 25



**20611**  
(90602-S7S-003)  
Blue Nylon

Cowl Vent Retainer  
**Use with Auveco 20612**  
Honda Accord 2003 - On

UNIT PACKAGE: 25



**21696**  
(Honda: 90602-S2A-003)  
Pale Yellow Nylon

Cowl Retainer  
Honda Civic, Element, Fit,  
Insight & S2000 2001 - On

UNIT PACKAGE: 25



**20576**  
(GM: 88969790;  
Toyota: 75867-21010)  
Yellow Nylon

Fender Flare Retainer  
Pontiac Vibe &  
Toyota Echo 2002 - On

UNIT PACKAGE: 25



**21975**  
(Peugeot & Citroen: 6991.43;  
Renault & Dacia: 77-03-077-059)  
White Nylon

Trim Panel Retainer  
Peugeot, Citroen,  
Renault & Dacia

UNIT PACKAGE: 25



**21871**  
(Peugeot & Citroen: 6995.A3;  
Renault & Dacia: 77-03-077-111)  
White Nylon

Trim Panel  
Retainer with Sealer  
Peugeot, Citroen,  
Renault & Dacia

UNIT PACKAGE: 25



**22153**  
(Land Rover: LR032984)  
White Nylon

Front Door Louver Exterior Trim  
Retainer with Sealer  
Land Rover Evoque, HSE &  
Range Rover 2014 - 2012

UNIT PACKAGE: 15



**20571**  
(MR435918)  
White Nylon

Rocker Panel  
Retainer  
Mitsubishi Montero 2001 - On

UNIT PACKAGE: 15



**20642**  
(000-990-57-92)  
Gray Nylon

Door Panel Retaining Clip  
Mercedes-Benz

UNIT PACKAGE: 10



**19320**  
(MB696120)  
White Nylon

Side Garnish &  
Moulding Trim Retainer  
Mitsubishi Eclipse 1994 - On

UNIT PACKAGE: 15

# TRIMMING SUNDRIES & FASTENERS

Refer to Retainer Specification Chart



**21496**

(357-853-585-A)  
White Nylon

Trim Panel Retainer  
With Nylon Grommet  
VW Golf & Passat and Audi B3

UNIT PACKAGE: 15



**21783**

(VW: 6Q0-868-297)  
Black Nylon

Trim Panel Retainer  
Golf, GTI, R32 &  
Rabbit 2006 - On

UNIT PACKAGE: 15



**18861**

(90467-10162)  
White Nylon

Scuff Plate Retainer  
Toyota Celica 1993 - On

UNIT PACKAGE: 15



**22243**

(Honda: 91560-S04-003)  
White Nylon

Side Panel Moulding Retainer  
Honda Accord 2015 - 1998  
Honda Civic 2011 - 2007

UNIT PACKAGE: 25



**22057**

(BMW: 51498123832;  
51490151605; 5149810579)  
Black Nylon

Trim Panel Retainer  
BMW 3, 5, 6, 7, 8, X &  
Z Series 2012 - 1989

UNIT PACKAGE: 25



**21488**

(11610605)  
Gray Nylon

Door Trim Panel Retainer  
Chevrolet Cruze 2011 - On

UNIT PACKAGE: 25



**22240**

(GM: 11546588)  
Yellow Nylon

Trim Panel Retainer  
With Sealer  
Chevrolet Colorado &  
GMC Canyon 2015 - On

UNIT PACKAGE: 15



**21365**

(13252118)  
Blue Nylon

Door Panel Retainer  
Cadillac, Chevrolet &  
GMC 2010 - On

UNIT PACKAGE: 25



**21896**

Gray Nylon

Trim Panel Retainer  
Renault & Dacia

UNIT PACKAGE: 25



**19719**

(67921-32010)  
White Nylon

Scuff Plate Retainer  
Toyota Avalon, Camry  
& Corolla 1997 - On

UNIT PACKAGE: 15



**21977**

(Renault & Dacia: 77-01-049-008)  
White Nylon

Trim Panel Retainer  
Peugeot, Citroen,  
Renault & Dacia

UNIT PACKAGE: 25



**20881**

(5482103)  
White Nylon

Cowl Vent Retainer  
with Sealer  
Chevrolet Equinox &  
Pontiac Torrent 2005 - On

UNIT PACKAGE: 10

# TRIMMING SUNDRIES & FASTENERS

Refer to Retainer Specification Chart



**22252**  
(Mercedes-Benz: 000-991-63-98;  
000-991-63-98-M22)  
Yellow Nylon

Door Garnish Moulding  
Retainer with Sealer  
Mercedes-Benz G1450, G1550,  
M1320, M1550, R63, R320,  
R350 & R500 2010 - 2006

UNIT PACKAGE: 15



**22236**  
(Mercedes: 006-988-43-78)  
White Nylon

Tailgate Garnish  
Retainer with Sealer  
Mercedes-Benz C Class,  
CLK Class, E Class, SL Class  
& SLK Class 1996 - On

UNIT PACKAGE: 25



**21495**  
(7L5-853-994)  
Blue Nylon

Trim Panel Retainer  
VW, Audi & Renault

UNIT PACKAGE: 25



**21450**  
(703-867-299)  
Black Nylon

Side Panel &  
Interior Trim Retainer  
VW 2003 - 1993

UNIT PACKAGE: 25



**22179**  
(Ford: W718033-S300)  
Black Nylon

Rear Bumper  
Retainer with Sealer  
Ford Edge 2015 - On

UNIT PACKAGE: 10



**21567**  
(909130007)  
Gray Nylon

Pillar & Door Moulding  
Trim & Rear Light  
Retainer with Sealer  
Subaru B9 Tribeca, Forester, Impreza,  
Legacy & Outback 2005 - On

UNIT PACKAGE: 25



**21591**  
(909130109)  
Black Nylon

Front & Rear Door, Fender,  
Quarter Panel and Rocker Panel  
Moulding Clip  
Subaru B9 Tribeca, Forester, Impreza,  
Legacy & Outback 2003 - On

UNIT PACKAGE: 25



**22133**  
(Not Available from O.E.M.)  
Red Nylon

Fender & Pillar Moulding  
Retainer with Sealer  
Ford Edge & Lincoln MKX 2007 - On

UNIT PACKAGE: 10



**22207**  
(Subaru: 909130088)  
Black Nylon

Fender, Rocker, Garnish, Pillar,  
Floor & Exterior Trim  
Retainer with Sealer  
Subaru Forester, Impreza,  
Legacy, Outback, B9 Tribeca  
& WRX 2005 - On

UNIT PACKAGE: 25



**21107**  
(90602-SX0-003)  
White Nylon

Cowl Vent Retainer  
Acura MDX, Honda Civic, Insight,  
Odyssey & Prelude 1995 - On

UNIT PACKAGE: 10

# TRIMMING SUNDRIES & FASTENERS

Refer to Retainer Specification Chart



**20672**  
(66820-3S500-C1)  
White Nylon

Cowl Vent Retainer  
Nissan Frontier & Xterra 1998 - On

UNIT PACKAGE: 25



**22063**  
(Nissan: 01553-02903)  
White Nylon

Front Side Lower Fender  
Panel Bracket Retainer  
**Overall Length: 21mm**  
Infiniti Qx4 & Qx56 and Nissan Pathfinder,  
Frontier & Xterra 2010 - 1997

UNIT PACKAGE: 25



**19464**  
(90667-SD4-003)  
Natural Nylon

Roof Lining Retainer  
Acura NSX, 2.2CL & 2.3CL 1991 - On

UNIT PACKAGE: 15



**21226**  
(75867-02010)  
Black Nylon

**Overall Length: 15.5mm**  
Corolla 2009 - On

UNIT PACKAGE: 25



**21012**  
(75867-AA010)  
Black Nylon

Rocker Panel &  
Scuff Plate Retainer  
Lexus ES300 & ES330 2002 - On  
Toyota Avalon, Camry, Scion & Solara 2004 - On

UNIT PACKAGE: 15



**21538**  
(75867-33030)  
Charcoal Nylon

**Overall Length: 18.5mm**  
Avalon, Camry, Prius, Scion, Sienna,  
Solara & Venza 2000 - On

UNIT PACKAGE: 25



**21088**  
(90321122)  
White Nylon

Door Panel Retainer  
Saturn Ion 2003 - On

UNIT PACKAGE: 50



**22056**  
(Toyota: 75867-30130)  
White Nylon

Rocker Moulding Retainer  
with Sealer  
Lexus CT 200h, ES 300h, ES 350,  
GS 300, GS 350, GS 430, GS 460,  
GS 450h, HS 250h, IS 250, IS 350,  
IS F, LS 460, LS 600h & LX 570 and  
Toyota Land Cruiser 2006 - On

UNIT PACKAGE: 25



**20932**  
(G18K-51-SJ3)  
White Nylon

Door Trim Panel  
Retainer with Sealer  
Mazda 3, 5, 6, CX-7,  
Miata & Protege 2001 - On

UNIT PACKAGE: 10



**21678**  
(Mazda: NE51-51-SJ3A)  
Black Nylon

Moulding Retainer  
With Sealer  
CX-9 & Miata 2006 - On

UNIT PACKAGE: 10



**18875**  
(67771-16170)  
White Nylon

Door Trim Panel Retainer  
Toyota Tercel 1991 - On

UNIT PACKAGE: 25



**20473**  
(67771-12070)  
White Nylon

Door Panel & Rocker Moulding  
Retainer with Sealer  
Lexus SC300/400 and  
Toyota Avalon &  
Corolla 1992 - On

UNIT PACKAGE: 15

## TRIMMING SUNDRIES & FASTENERS

Refer to Retainer Specification Chart



**21690**

(Mitsubishi: MR322000)  
White Nylon

Trim Panel Retainer with Sealer  
Diamante, Eclipse, Galant, Montero &  
Outlander 2000 - On

UNIT PACKAGE: 25



**21489**

(11610606)  
Yellow Nylon

Door Trim Panel Retainer  
Chevrolet Cruze 2011 - On

UNIT PACKAGE: 25



**19334**

(MB566720)  
Natural Nylon

Rear Pillar Trim &  
Air Inlet Grille Retainer  
Mitsubishi Eclipse 1994 - On

UNIT PACKAGE: 15



**21364**

(13252119)  
Green Nylon

Door Panel Retainer  
Buick, Cadillac, Chevrolet  
& GMC 2010 - On

UNIT PACKAGE: 25



**22251**

(Land Rover: LR013135)  
White Nylon

Trim Panel, Tail Gate & Luggage  
Compartment Retainer with Sealer  
Land Rover LR3, Range Rover Sport &  
Range Rover Sport Supercharge 2009 - 2005

UNIT PACKAGE: 15



**22278**

(GM: 11546963; 11547601)  
Gray Nylon

Door Panel Retainer  
Cadillac Escalade, Chevrolet Silverado,  
Suburban & Tahoe and GMC Sierra &  
Yukon 2015 - On

UNIT PACKAGE: 25

# TRIMMING SUNDRIES & FASTENERS

Refer to Retainer Specification Chart



**22279**

(GM: 11546964; 11547602)  
Yellow Nylon

Door Panel Retainer  
Cadillac Escalade, Chevrolet Suburban,  
Tahoe and GMC Yukon 2015 - On

UNIT PACKAGE: 25



**21819**

Yellow Nylon

Retainer  
VW, Audi, SEAT, Skoda & Ford

UNIT PACKAGE: 25



**21853**

(VW: 7M0-867-299-K, 7M3-867-299;  
Land Rover: DYC500020;  
Ford: 1008068)  
Yellow Nylon

Door Trim Panel  
Retainer with Sealer  
Land Rover 1997 - On  
VW & Audi 1999 - On

UNIT PACKAGE: 25



**21787**

(BMW: 51-77-7-171-002)  
White Nylon

Wheel Arch Cover &  
Footboard Retainer with Sealer  
BMW X Series 2006 - On  
Mini-Cooper S & SX Series 2011 - On

UNIT PACKAGE: 25



**21412**

(TD12-51-SJ3A)  
Gray Nylon

Rocker Moulding  
Retainer with Sealer  
Mazda 6 GT 2010 - On

UNIT PACKAGE: 15



**21893**

(VW: 5J0-867-276)  
White Nylon

Trim Panel Retainer With Sealer  
VW, Audi, SEAT & Skoda

UNIT PACKAGE: 15



**21996**

(VW: 8P0-868-243)  
Yellow & White Nylon

Trim Panel Retainer with Sealer  
VW, Audi, SEAT & Skoda

UNIT PACKAGE: 10



**21995**

(VW: 8Z0-867-646)  
White Nylon

Trim Panel Retainer with Sealer  
VW, Audi, SEAT & Skoda

UNIT PACKAGE: 10



**22244**

(Land Rover: LR034389; LR053837)  
White Nylon

Pillar Retainer with Sealer  
Land Rover Discovery &  
Range Rover Sport 2010 - On

UNIT PACKAGE: 15



**21795**

(Toyota: 67773-0E020)  
White Nylon

Door Panel Retainer with Sealer  
**Overall Length: 20mm**  
Lexus RX350 2009 and Toyota Camry 2012 - On

UNIT PACKAGE: 25



**22132**

(Toyota: 53813-48011)  
Gray Nylon

Front Fender Retainer with Sealer  
Lexus HS 250h, RX 350 & RX 450h and  
Toyota Prius & Sienna 2010 - On

UNIT PACKAGE: 10



**20829**

(6505534-AA)  
Black Nylon

Door Trim Panel Retainer  
Chrysler Concorde, Intrepid,  
LHS & 300M 1998 - On

UNIT PACKAGE: 50



**22093**

(Land Rover: DKP5279L)  
Black Nylon

Trim Panel Retainer  
Land Rover Discovery &  
Defender 2004 - 1989

UNIT PACKAGE: 25

# TRIMMING SUNDRIES & FASTENERS

Refer to Retainer Specification Chart



**19810**  
(N807943-S)  
Black Nylon

Trim Panel Retainer  
Ford Mustang 1995 - On

UNIT PACKAGE: 50



**19213**  
(6503709)  
Natural Nylon

Trim Panel Retainer  
Dodge Ram 1994 - On

UNIT PACKAGE: 50



**12565**  
(N801925-S)  
Black Nylon

Door Trim Panel Retainer  
Ford 1981 - On

UNIT PACKAGE: 25



**17124**  
(N805155-S)  
Black Nylon

Trim Panel Retainer  
Ford 1985 - On

UNIT PACKAGE: 50



**22259**  
(GM: 11547047)  
Black Nylon

Headliner Retainer  
Cadillac CT6 & ELR and  
Chevrolet Impala 2015 - On

UNIT PACKAGE: 25



**13470**  
(N802900)  
White Nylon

Door Trim Panel Retainer  
Ford

UNIT PACKAGE: 25



**18848**  
(F58Z-16237A02-A)  
Yellow Nylon

Door Trim Panel Retainer  
Ford Windstar 1995 - On

UNIT PACKAGE: 25



**17218**  
(21042045, 21042053,  
21042058, 21042104)  
Natural Nylon

Door Trim Panel Retainer  
GM Saturn 1991 - On

UNIT PACKAGE: 50



**21777**  
(BMW: 51-47-1-945-266)  
Black Nylon

Trunk Luggage Compartment  
& Sill Trim Retainer  
3, 5 & M Series 1983 - On

UNIT PACKAGE: 25



**21091**  
(22691056)  
Black Nylon

Tailgate Moulding  
Retainer with Sealer  
Cadillac Escalade EXT  
and Chevrolet Avalanche 2007 - On

UNIT PACKAGE: 15



**20274**  
(Not Supplied by O.E.M.)  
White Nylon

Door Panel Retainer  
**Use with** **20275**  
Chrysler LH Series 2000 - On

UNIT PACKAGE: 25



**19802**  
(MB566719)  
White Nylon

Door Moulding Retainer  
Chrysler Concorde, Eagle Talon  
& Sebring 1996 - On

UNIT PACKAGE: 15



**17102**  
(GM: 10143422;  
Ford: N805612-S100;  
AMC: 8934-202-599)  
White Nylon

Trim Panel Retainer  
Ford Tempo & Topaz, Jeep Eagle  
& Premier and Pontiac 1988 - On

UNIT PACKAGE: 50

# TRIMMING SUNDRIES & FASTENERS

Refer to Retainer Specification Chart



**20944**  
(11588863)  
Green Nylon

Door Trim Panel Retainer  
Buick Terraza, Chevrolet  
Uplander, Pontiac Montana  
& Saturn Relay 2005 - On

UNIT PACKAGE: 25



**18175**  
(10158124)  
Natural Nylon

Trim Panel Retainer  
GM, Chrysler 1992 - On

UNIT PACKAGE: 50



**21346**  
(10350983)  
White Nylon

Trim Panel Retainer with Sealer  
**Mates with 21347**  
Cadillac, Chevrolet  
& Pontiac 2004 - On

UNIT PACKAGE: 15



**21532**  
(Not Available from O.E.M.)  
White Nylon

Front Bumper Cover Retainer  
GM Trucks 2008 - On

UNIT PACKAGE: 25



**11671**  
(387182-S)  
Black Nylon

Seat Back Panel Retainer  
Ford 1977 - On

UNIT PACKAGE: 25



**18391**  
(15694099)  
Natural Nylon

Rear Door Trim Panel Retainer  
Chevrolet Astro &  
GMC Safari Mini Vans 1993 - On

UNIT PACKAGE: 15



**21516**  
(357-853-585)  
White Nylon

Retainer with  
Black Nylon Grommet  
VW Golf A2 & A3 and Audi

UNIT PACKAGE: 25



**21794**  
(Ford: W713579-S300)  
White Nylon

Tail Light Mounting  
Retainer with Sealer  
Ford Escape, Explorer, Focus  
MKZ & Zephyr 2006 - On

UNIT PACKAGE: 10



**20634**  
(GM: 10363811; 22722859)  
White Nylon

Door Panel Retainer  
**Use with 20635**  
Oldsmobile Alero &  
Pontiac Grand Am 2002 - On

UNIT PACKAGE: 25



**21383**  
(11561499)  
White Nylon

Trim Panel Retainer  
**Use with 21384**  
Chevrolet Traverse 2010 - On

UNIT PACKAGE: 25



**20995**  
(11562043)  
White Nylon

Door Panel  
Retainer with Sealer  
Cadillac SRX & STS,  
Chevrolet Cobalt & HHR and  
Hummer H3 2004 - On

UNIT PACKAGE: 15



**20996**  
(11562044)  
Yellow Nylon

Door Panel  
Retainer with Sealer  
Cadillac SRX & STS, Chevrolet  
Cobalt & HHR and  
Hummer H3 2004 - On

UNIT PACKAGE: 15



# TRIMMING SUNDRIES & FASTENERS

Refer to Retainer Specification Chart



**20998**  
(11562256)  
Black Nylon Pin  
& White Nylon Grommet

Door Panel  
Retainer with Sealer  
Chevrolet Cobalt, HHR  
& Full-Size Van 2005 - On

UNIT PACKAGE: 15



**20999**  
(11562257)  
Green Nylon Pin &  
Yellow Nylon Grommet

Door Panel  
Retainer with Sealer  
Chevrolet Cobalt &  
HHR 2006 - On

UNIT PACKAGE: 15



**21535**  
(11571118)  
White Nylon

Door Panel Retainer  
& Grommet  
Buick Enclave & Lucerne,  
Cadillac DTS, Chevrolet  
Traverse, GM "G" Vans,  
GMC Acadia and  
Hummer H2 2008 - On

UNIT PACKAGE: 15



**21536**  
(11571119)  
Yellow Nylon

Door Panel Retainer  
& Grommet  
Buick Enclave & Lucerne,  
Cadillac DTS, Chevrolet  
Cobalt, Colorado, Traverse,  
GM "G" Vans, GMC Acadia  
& Canyon and Pontiac G5 &  
Pursuit 2008 - On

UNIT PACKAGE: 15



**19527**  
(10408480)  
Yellow Nylon

Door Garnish Moulding &  
Pillar Trim Panel Retainer  
**Overall Length: 25/32"**  
Buick Century & Regal, Chevrolet Venture,  
Olds Intrigue & Silhouette, Pontiac Grand Prix  
and Trans Sport 1997 - On

UNIT PACKAGE: 25



**19275**  
(10287971)  
White Nylon

Door Trim Panel Retainer  
**Overall Length: 25/32"**  
Buick Century & Regal, Chevrolet Venture, Olds  
Silhouette and Pontiac Trans Sport 1997 - On

UNIT PACKAGE: 50



**16938**  
(15638413, 15963179)  
Black Nylon

Trim Panel Retainer  
**Overall Length: 29/32"**  
GM Trucks 1991 - On

UNIT PACKAGE: 50



**11797**  
(387477-S)  
White Nylon

Interior Trim Panel  
**Overall Length: 15/16"**  
Ford 1977 - On

UNIT PACKAGE: 50



**19356**  
(15986673)  
White Nylon

Front & Rear Door  
Trim Panel Retainer  
**Overall Length: 1-3/32"**  
GM Trucks S10 & S15 1996 - On

UNIT PACKAGE: 50



**17075**  
(389144-S)  
White Nylon

Trim Panel Retainer  
**Overall Length: 1-5/32"**  
Ford 1981 - On

UNIT PACKAGE: 50



**19270**  
(10285935)  
White Nylon

Trim Panel Retainer  
**Overall Length: 1-3/16"**  
Buick Century & Regal,  
Chevrolet Venture, GM Truck  
Express/Savana, Olds Silhouette &  
Pontiac Trans Sport 1997 - On

UNIT PACKAGE: 50

# TRIMMING SUNDRIES & FASTENERS

Refer to Retainer Specification Chart



**20814**  
(10305191)  
White Nylon

Door Panel Retainer  
**Overall Length: 1-3/16"**  
Chevrolet Impala, Lumina  
& Monte Carlo 2000 - On

UNIT PACKAGE: 50



**16695**  
(10153057)  
White Nylon

Door Trim Panel Retainer  
**Overall Length: 1-1/4"**  
GM 1982 - On

UNIT PACKAGE: 25



**20338**  
(10421018)  
White Nylon

Door Trim  
Panel Retainer  
**Overall Length: 1-9/16"**  
GM 1997 - On

UNIT PACKAGE: 25



**22231**  
(VW: 1K6-837-200B)  
Black Nylon

Door Panel Retainer  
**Overall Length: 13mm**  
VW Golf V, GTI, Jetta &  
R32 2010 - 1999

UNIT PACKAGE: 25



**21137**  
(07-13-0-702-516)  
Black Nylon

Rear Quarter Wheel Opening  
Moulding Retaining Clip  
**Overall Length: 14mm**  
Mini-Cooper 2002 - On

UNIT PACKAGE: 25



**21785**  
(Volvo: 30624192)  
Black & Yellow Nylon

Rocker Panel Moulding Retainer  
**Overall Length: 15mm**  
S60 & V60 2011 - On

UNIT PACKAGE: 25



**21786**  
(Volvo: 30653441)  
Black & White Nylon

Door Trim, Luggage Compartment  
& Armrest Tray Trim Retainer  
**Overall Length: 15.5mm**  
C30, S40, V50, V60 & XC60 2004 - On

UNIT PACKAGE: 25



**22008**  
(Hyundai: 85495-2E050)  
Black Nylon

Headliner Retainer  
**Overall Length: 15.5mm**  
Hyundai & Kia

UNIT PACKAGE: 50



**22336**  
(GM: 90560163)  
White Nylon

Interior Trim Panel Retainer  
**Overall Length: 16mm**  
Saturn Astra, L100, L200, L300, LW2,  
LW200, & LW300 2009 - 2000

UNIT PACKAGE: 25



**18824**  
(G350-68-AB1)  
White Nylon

Trim Panel Retainer  
**Overall Length: 16mm**  
Mazda 626, MX-6, Millenia, MX3, 929,  
Protégé, MPV Ford Probe 1990 - On

UNIT PACKAGE: 50



**21584**  
(693005370)  
White Nylon

Front Door & Lift Gate  
Trim Panel Retainer  
**Overall Length: 16mm**  
Subaru Impreza, Justy, Legacy &  
Outback 2007 - 1987

UNIT PACKAGE: 25

# TRIMMING SUNDRIES & FASTENERS

Refer to Retainer Specification Chart



**20670**  
(01553-02821)  
Gray Nylon

Trim Panel Retainer  
**Overall Length: 16mm**  
Nissan Maxima 1988 - On

UNIT PACKAGE: 15



**21410**  
(90467-09212)  
White Nylon

Cowl Trim Retainer  
**Overall Length: 16mm**  
Toyota Camry 2010 - On

UNIT PACKAGE: 25



**21686**  
(Toyota: 67771-32120)  
Green Nylon

Trim Panel Retainer with Sealer  
**Overall Length: 16.5mm**  
Lexus ES 300, GS 300, GS 450h,  
IS F, IS 250, LS 460, LS 600hL, RX 350,  
Scion XA and Toyota Prius 2001 - On

UNIT PACKAGE: 25



**22048**  
(Subaru: 94078FA080)  
White Nylon

Trim Panel Retainer  
**Overall Length: 16.5mm**  
Forester, Impreza & XV Crosstrek 1994 - On

UNIT PACKAGE: 25



**22152**  
(Land Rover: LR028939)  
White Nylon

Front Lower Fender &  
Exterior Trim Retainer  
**Overall Length: 16.5mm**  
Land Rover Evoque, HSE &  
Range Rover 2014 - 2012

UNIT PACKAGE: 25



**20558**  
(62217-13010)  
White Nylon

Garnish Moulding Retainer  
**Overall Length: 17mm**  
Lexus and Toyota Corolla,  
Matrix & 4 Runner 2003 - On

UNIT PACKAGE: 25



**22343**  
(Subaru: 909130096)  
Green Nylon

Cowl, Garnish, Headliner,  
Rocker, Pillar & Interior Trim Retainer  
**Overall Length: 17mm**  
Subaru B9 Tribeca, BRZ, Forester, Impreza, Legacy,  
Outback, WRX & XV Crosstrek 2005 - On

UNIT PACKAGE: 25



**21701**  
(Nissan: 85284-4J500)  
Black Nylon

Retainer with Sealer  
**Overall Length: 17mm**  
Infiniti I35 and Nissan Altima,  
Cube & Maxima 2011 - 02

UNIT PACKAGE: 10



**21188**  
(82315-27000)  
Pink Nylon

Trim Panel Retainer  
**Overall Length: 17mm**  
Hyundai & Kia 2003 - On

UNIT PACKAGE: 15



**22313**  
(Hyundai: 82315-2W000)  
Green Nylon

Door Panel, Interior Trim  
& Garnish Retainer  
**Overall Length: 17mm**  
Hyundai Santa Fe & Sonata 2013 - On  
Kia Forte & K900 2014 - On

UNIT PACKAGE: 25



**21149**  
(91560-S84-A01)  
White Nylon

Trim Panel Retainer  
**Overall Length: 17.5mm**  
Honda Accord & Element 2003 - On

UNIT PACKAGE: 25



**20559**  
(GM: 88970345;  
Toyota: 90467-10167)  
Blue Nylon

Garnish Moulding Retainer  
**Overall Length: 17.5mm**  
Pontiac Vibe, Lexus and Toyota 2000 - On

UNIT PACKAGE: 25

# TRIMMING SUNDRIES & FASTENERS

Refer to Retainer Specification Chart



**21240**  
(10369649)  
Green Nylon

Door Panel Retainer with Sealer  
**Overall Length: 17.5mm**  
Pontiac Torrent 2006 - On

UNIT PACKAGE: 25



**22269**  
(Ford: W716507-S300)  
White Nylon

Front & Rear Door,  
Body Side and Wheel Opening  
Moulding Retainer with Sealer  
**Overall Length: 17.5mm**  
Ford Transit Cargo & Passenger Van 2015 - On

UNIT PACKAGE: 15



**19109**  
(67771-30070)  
Natural Nylon

Door Trim Panel  
& Garnish Retainer  
**Overall Length: 18mm**  
Toyota Corolla Wagon, Tercel  
T-100 & Tacoma 2WD 1992 - On

UNIT PACKAGE: 25



**21574**  
(909130034)  
White Nylon

Door, Pillar, Rocker, Floor  
& Interior Trim Retainer  
**Overall Length: 18mm**  
Subaru Baja, Forester, Legacy &  
Outback 2008 - 03

UNIT PACKAGE: 25



**21139**  
(07-14-7-145-753)  
White Nylon

Body Side Moulding  
Retainer with Sealer  
**Overall Length: 18mm**  
Mini-Cooper 2002 - On

UNIT PACKAGE: 25



**21638**  
(91560-S0X-A01)  
White Nylon

Trim Panel Retainer with Sealer  
**Overall Length: 18mm**  
Honda Accord, CR-V, Fit  
& Odyssey 1999 - On

UNIT PACKAGE: 15



**21675**  
(91560-SZW-003)  
Green Nylon

Door Panel & Interior Trim Retainer  
**Overall Length: 18mm**  
Honda Civic 2012 - On

UNIT PACKAGE: 25



**19466**  
(91560-SZ3-003)  
White Nylon

Door Trim Panel Retainer  
**Overall Length: 18mm**  
Acura 3.5RL 1996 - On

UNIT PACKAGE: 15



**21070**  
(Hyundai: 82315-38000  
GM: 94530565)  
White Nylon

Trim Panel Retainer  
**Overall Length: 18mm**  
Chevrolet Aveo 2004 - On  
Hyundai Accent, Santa Fe, Sonata  
Tiburon & XG300/350 1999 - On  
and Kia Optima, Rio & Sorento 2001 - On

UNIT PACKAGE: 25



**22312**  
(Kia: 0K95-A-68401)  
Gray Nylon

Exterior & Interior Moulding Retainer  
**Overall Length: 18mm**  
Kia Soul, Sedona & Sportage 2010 - On

UNIT PACKAGE: 50



**20983**  
(GJ6R-68-ABX)  
White Nylon

Trim Panel Retainer with Sealer  
**Overall Length: 18mm**  
Mazda 3, 5, 6, Miata & RX-8 2003 - On

UNIT PACKAGE: 15



**22305**  
(Mercedes: 001-991-26-98)  
Yellow Nylon

Door Trim Panel Retainer with Sealer  
**Overall Length: 18mm**  
Mercedes-Benz CLS400, CLS550, CLS63,  
S500, S600 & S63 2012 - On

UNIT PACKAGE: 15

# TRIMMING SUNDRIES & FASTENERS

Refer to Retainer Specification Chart



**22309**

(Mercedes: 000-991-01-98; 011-988-76-78)

White Nylon

Door Upper Pillar Trim &  
Trunk Lining Retainer with Sealer  
**Overall Length: 18mm**  
Mercedes-Benz C250, C300, C350,  
C63, GLA250, GLA45, GLK250  
& GLK350 2013 - On

UNIT PACKAGE: 15



**21208**

(91560-SLJ-J01)

Gray Nylon

Door Trim Panel Retainer  
**Overall Length: 18mm**  
Acura RDX and Honda  
Civic, CR-V & Pilot 2009 - On

UNIT PACKAGE: 10



**19731**

(84915-0W000)

White Nylon

Trim Panel Retainer  
**Overall Length: 18.5mm**  
Nissan Pathfinder 1995 - On

UNIT PACKAGE: 15



**21998**

(Nissan: 01553-08101)

Yellow & White Nylon

Trim Panel Retainer  
**Overall Length: 18.5mm**  
Nissan

UNIT PACKAGE: 10



**19203**

(67771-89104)

Natural Nylon

Quarter Board  
Inside Trim Panel Retainer  
**Overall Length: 18.5mm**  
Toyota Truck 2WD 1997 - 91

UNIT PACKAGE: 15



**20411**

(91560-S84-A11)

Black Nylon

Windshield Garnish Pillar  
Retainer  
**Overall Length: 18.5mm**  
Acura 3.2CL, Honda Accord,  
Insight & Odyssey 1998 - On

UNIT PACKAGE: 15



**21814**

(Peugeot: 6991.S6;  
Renault: 77-03-077-468)  
White Nylon

Door Panel Retainer  
**Overall Length: 18.5mm**  
Renault, Dacia,  
Peugeot and Citroen

UNIT PACKAGE: 25



**21554**

(91560-S7A-003)

Black Nylon

Trim Panel Retainer  
With Sealer  
**Overall Length: 18.5mm**  
Honda Crosstour, Fit &  
Odyssey 2010 - 05

UNIT PACKAGE: 25



**19145**

(91560-SP0-003)

Gray Nylon

Front & Rear Door  
Trim Panel Retainer  
**Overall Length: 18.5mm**  
Acura Integra & Legend and Honda  
Accord, Civic, Prelude, Odyssey &  
Del Sol 1991 - On

UNIT PACKAGE: 25



# TRIMMING SUNDRIES & FASTENERS

Refer to Retainer Specification Chart on pages 475-489



**21974**  
(Peugeot & Citroen: 6992.82)  
White Nylon

Trim Panel Retainer with Sealer  
**Overall Length: 18.5mm**  
Peugeot & Citroen

UNIT PACKAGE: 25



**21978**  
(Peugeot & Citroen: 6992.J4)  
White Nylon

Trim Panel Retainer  
**Overall Length: 18.5mm**  
Peugeot & Citroen

UNIT PACKAGE: 25



**22005**  
(Hyundai: 82315-33020)  
White Nylon

Trim Panel Retainer  
**Overall Length: 18.5mm**  
Hyundai & Kia 1995 - On

UNIT PACKAGE: 50



**20959**  
(91560-S9A-A01)  
Blue Nylon

Door Panel Retainer  
**Overall Length: 19mm**  
Acura TL & TSX and Honda Accord,  
Civic, CRV & Odyssey 2002 - On

UNIT PACKAGE: 25



**21676**  
(91560-SZW-J01)  
Yellow Nylon

Windshield Moulding  
& Interior Trim Retainer  
**Overall Length: 19mm**  
Honda Civic 2012 - On

UNIT PACKAGE: 25



**21916**  
(Peugeot & Citroen: 8335.TE;  
Renault & Dacia: 82-00-700-969)  
Yellow Nylon

Trim Panel Retainer  
**Overall Length: 19mm**  
Peugeot, Citroen, Renault & Dacia

UNIT PACKAGE: 25



**21895**  
(Peugeot & Citroen: 6991.Z1;  
Renault & Dacia: 82-00-909-084)  
Blue Nylon

Trim Panel Retainer  
**Overall Length: 19mm**  
Peugeot, Citroen, Renault & Dacia

UNIT PACKAGE: 25



**21917**  
Yellow Nylon

Trim Panel Retainer with Sealer  
**Overall Length: 19mm**  
Renault & Dacia

UNIT PACKAGE: 15



**22285**  
(Mini-Cooper: 07-14-6-962-771)  
Red Nylon

Rocker Moulding &  
Pillar Retainer with Sealer  
**Overall Length: 19mm**  
Mini-Cooper 2006 - On

UNIT PACKAGE: 15



**22156**  
(Land Rover: IPN500050)  
White Nylon

Windshield Glass Side Moulding  
Retainer with Sealer  
**Overall Length: 19mm**  
Land Rover HSE & Range Rover Sport 2012 - 2006

UNIT PACKAGE: 15



**22003**  
(Hyundai: 82315-2P000)  
White Nylon

Trim Panel Retainer  
**Overall Length: 19mm**  
Hyundai & Kia 1999 - On

UNIT PACKAGE: 50



**21944**  
(Peugeot & Citroen: 8742.G2)  
Green & White Nylon

Trim Panel Retainer  
**Overall Length: 19.3mm**  
Peugeot, Citroen, Renault & Dacia

UNIT PACKAGE: 10

# TRIMMING SUNDRIES & FASTENERS

Refer to Retainer Specification Chart



**21360**  
(85849-3B000)  
White Nylon  
Headliner & Trim Panel Retainer  
**Overall Length: 19.5mm**  
Hyundai 2001 - On

UNIT PACKAGE: 25



**20668**  
(01553-09791)  
White Nylon  
Trim Panel Retainer  
**Overall Length: 20mm**  
Nissan & Infiniti 1999 - On

UNIT PACKAGE: 15



**21414**  
(80999-VE000)  
White Nylon  
Trim Panel Retainer with Sealer  
**Overall Length: 19.5mm**  
Infiniti & Nissan 1993 - On

UNIT PACKAGE: 25



**20437**  
(90467-09206)  
White Nylon  
Trim Panel Retainer with Sealer  
**Overall Length: 20mm**  
Toyota RAV 4 & Tundra 2000 - On

UNIT PACKAGE: 15



**20575**  
(Toyota: 67771-12080;  
GM: 88970656)  
Yellow & White Nylon  
Door Panel & Rocker  
Moulding Retainer  
**Overall Length: 19.5mm**  
Toyota & Lexus 1998 - On  
Pontiac Vibe 2003 - On

UNIT PACKAGE: 15



**21102**  
(90467-A0005)  
White Nylon  
Door Trim Panel Retainer with Sealer  
**Overall Length: 20mm**  
Lexus ES 350, GX 470, IS 250, IS 350, IS  
F, LS 460 & LS 600HL and Toyota Camry,  
FJ Cruiser, Highlander, RAV4 & 4-Runner  
2001 - On

UNIT PACKAGE: 15



**21206**  
(91560-S6A-003)  
Orange Nylon  
Rear Liftgate Retainer  
**Overall Length: 19.5mm**  
Honda Fit 2009 - On

UNIT PACKAGE: 15



**18844**  
(67771-06010, 67771-32090)  
White Nylon  
Trim Panel Retainer  
**Overall Length: 20mm**  
Cowl Side & Garnish  
Center Pillar Retainer  
Toyota Camry 1991 - On

UNIT PACKAGE: 10



**20879**  
(007-988-99-78, 007-988-34-78)  
Green Nylon  
Door Trim Panel Retainer  
**Overall Length: 19.5mm**  
Mercedes-Benz 1996 - On

UNIT PACKAGE: 10



**21654**  
(Not Available from O.E.M.)  
White Nylon  
Trim Panel Retainer  
**Overall Length: 20mm**  
Lincoln MTX 2012 - On

UNIT PACKAGE: 25



**22237**  
(Nissan: 01553-30001)  
White Nylon  
Trim Panel Retainer  
**Overall Length: 20mm**  
Nissan Altima, Cube, GT-R, Murano,  
Pathfinder, Quest, Rogue, Sentra,  
Versa & Versa Note 2007 - On

UNIT PACKAGE: 25



**18950**  
(90467-10168)  
Black & White Nylon  
Garnish Retainer  
**Overall Length: 20mm**  
Toyota Avalon & Camry 1991 - On

UNIT PACKAGE: 5

# TRIMMING SUNDRIES & FASTENERS

Refer to Retainer Specification Chart



**21329**

Black Nylon  
(68061648-AA)

Tail Light Retainer  
**Overall Length: 20mm**  
Dodge Ram 2009 - On

UNIT PACKAGE: 15



**21976**

(Peugeot & Citroen: 6966.39)  
White Nylon

Trim Panel Retainer  
**Overall Length: 20mm**  
Peugeot & Citroen

UNIT PACKAGE: 15



**14728**

(67771-22020)  
Natural & Yellow Nylon

Door Panel Retainer  
**Overall Length: 20mm**  
Toyota

UNIT PACKAGE: 25



**21822**

(Peugeot & Citroen: 6822.LL)  
White Nylon

Door Panel Retainer  
**Overall Length: 20mm**  
Peugeot, Citroen & Toyota

UNIT PACKAGE: 25



**22009**

(Hyundai: 85506-4A000)  
White Nylon

Trim Panel &  
Window Garnish Retainer  
**Overall Length: 20mm**  
Hyundai Tucson & Kia Sorento 2003 - On

UNIT PACKAGE: 50



**22004**

(Hyundai: 82315-22000)  
White Nylon

Trim Panel Retainer  
**Overall Length: 20mm**  
Hyundai Accent 1999 - 95

UNIT PACKAGE: 50



**21289**

(84953-JA00A)  
Yellow Nylon

Trim Panel Retainer  
**Overall Length: 20mm**  
Nissan Altima 2010 - On

UNIT PACKAGE: 25



**14269**

(Isuzu: 8942264920;  
Mazda: 9927-40-825;  
Toyota: 67771-01010, 67771-12010)  
White Nylon

Door Panel Retainer  
**Overall Length: 20.5mm**  
Isuzu, Mazda & Toyota

UNIT PACKAGE: 25



**22157**

(Jaguar: C2D5807)  
Yellow Nylon

Rocker Moulding Retainer  
**Overall Length: 20mm**  
Jaguar XJ & XJ-L 2011 - On

UNIT PACKAGE: 15



**21138**

(51-43-7-001-491-2)  
White Nylon

Headliner Retainer  
**Overall Length: 20.5mm**  
Mini-Cooper 2005 - On

UNIT PACKAGE: 25



**20633**

(90467-10188)  
Turquoise Nylon

Trim Panel Retainer  
**Overall Length: 20mm**  
Toyota Sienna 2004 - On

UNIT PACKAGE: 25



**15709**

(67771-02030)  
Natural Nylon

Door Trim Retainer  
**Overall Length: 20.5mm**  
Toyota Corolla 1990 - On

UNIT PACKAGE: 50



# TRIMMING SUNDRIES & FASTENERS

Refer to Retainer Specification Chart



**18876**

(Toyota: 90467-10161;  
GM: 94858299)  
White Nylon

Trim Board Retainer  
**Overall Length: 20.5mm**  
Sienna, Solara & Tercel 1990 - On  
Geo Prizm & Pontiac Vibe 1998 - On

UNIT PACKAGE: 25



**21640**

(84953-AU100)  
Black Nylon

Door Trim Panel Retainer with Sealer  
**Overall Length: 20.5mm**  
Infiniti FX35, FX45, G35 & G37  
2008 - 03

UNIT PACKAGE: 15



**21502**

(909130213)  
White Nylon

Door Trim Panel Retainer with Sealer  
**Overall Length: 20.5mm**  
Subaru Legacy & Outback 2010 - On

UNIT PACKAGE: 10



**15707**

(67771-03030)  
Gray Nylon

Door Trim Retainer  
**Overall Length: 20.5mm**  
Toyota Camry 1988 - On

UNIT PACKAGE: 50



**21118**

(MB374270, MB374271)  
White Nylon

Trim Panel Retainer  
**Overall Length: 20.5mm**  
Chrysler Laser, Stealth,  
Jeep Eagle & Talon and  
Mitsubishi Eclipse &  
Montero 1989 - On

UNIT PACKAGE: 15



**19898**

(67771-02030)  
Yellow Nylon

Trim Panel Retainer  
**Overall Length: 20.5mm**  
Toyota Corolla 1990 - On

UNIT PACKAGE: 50



**14270**

(67771-22010)  
Blue & Natural Nylon

Door Panel Retainer  
**Overall Length: 20.5mm**  
Toyota

UNIT PACKAGE: 25



**22267**

(GM: 11546850)  
White Nylon

Front Fender &  
Exterior Trim Moulding Retainer  
**Overall Length: 20.5mm**  
GMC Sierra 2015 - On

UNIT PACKAGE: 50



**14144**

(GM: 95005064;  
Toyota: 67771-01010)  
Black Nylon

Trim Panel Retainer  
**Overall Length: 20.5mm**  
Toyota & GM

UNIT PACKAGE: 25



**19910**

(90467-08179)  
Yellow Nylon

Garnish Retainer  
**Overall Length: 20.5mm**  
Toyota Tundra 1999 - On

UNIT PACKAGE: 25



**20669**

(01553-07111)  
Black Nylon

Trim Panel Retainer  
**Overall Length: 20.5mm**  
Nissan Altima and  
Infiniti G35 & Q45 1997 - On

UNIT PACKAGE: 25



**21087**

(90602-SAA-003)  
Orange Nylon

Cowl Vent & Radiator Support Retainer  
**Overall Length: 20.5mm**  
Honda Fit & CRV 2003 - On

UNIT PACKAGE: 15

# TRIMMING SUNDRIES & FASTENERS

Refer to Retainer Specification Chart



**19257**

(GM: 30006620;  
Toyota: 67771-12050;  
Suzuki: 09409-08320)  
Nylon

Cowl Vent Screen &  
Door Trim Panel Retainer  
**Overall Length: 20.5mm**

Chevrolet Geo, Metro & Tracker, Lexus and Toyota  
Celica, Corolla & Previa 1989 - On

UNIT PACKAGE: 15



**19108**

(67771-16080)  
Natural Nylon

Door Trim Panel & Back Panel  
Upper Garnish Retainer  
**Overall Length: 21mm**

Toyota Truck 1988 - On

UNIT PACKAGE: 10



**20610**

(Honda: 91560-SM4-003)  
White Nylon

Door Trim Panel Retainer  
**Overall Length: 21mm**

Honda Accord 1990 - On

UNIT PACKAGE: 25



**19386**

(6505292AA)  
Natural Nylon

Door Trim Panel Retainer  
**Overall Length: 21mm**

Chrysler Vans 1998 - On

UNIT PACKAGE: 25



**20515**

(6505918-AA)  
Yellow & White Nylon

Trim Panel Retainer  
**Overall Length: 21mm**

Chrysler Caravan,  
Town & Country and Voyager  
Mini-Vans 2001 - On

UNIT PACKAGE: 25



**22315**

(Hyundai: 85849-3L000)  
Gray Nylon

Garnish & Interior Moulding Retainer  
**Overall Length: 21mm**

Hyundai Azera, Sonata &  
Tuscon 2006 - On  
Kia Forte 2010 - On

UNIT PACKAGE: 50



**18874**

(67771-16120)  
Gray Nylon

Front & Rear Door  
Trim Panel Retainer  
**Overall Length: 21mm**

Toyota Tercel 1994 - On

UNIT PACKAGE: 15



**19016**

(67771-12040)  
Dark Gray Nylon

Door Trim Panel Retainer  
**Overall Length: 21mm**

Toyota Cressida 1992 - 88

UNIT PACKAGE: 15



**21788**

(BMW: 51-41-8-224-768,  
51-41-0-407-984)  
White Nylon

Door Panel Lining &  
Rear Window Retainer with Sealer  
**Overall Length: 21mm**

BMW X Series 2006 - On  
Mini-Cooper 2002 - On

UNIT PACKAGE: 25



**21873**

(BMW: 51-43-7-001-491)  
White Nylon

Trim Panel Retainer  
**Overall Length: 21mm**

Renault, Dacia & BMW

UNIT PACKAGE: 25



**22229**

(BMW: 51418224781;  
51410407983; 51430141025)  
Gray Nylon

Door Trim Panel Retainer with Sealer  
**Overall length: 21mm**

BMW 1, 3, 4, 5, 6, X & Z Series 1992 - On

UNIT PACKAGE: 25



**21247**

(W709995-S300)  
Green Nylon

Lift Gate Trim Retainer  
**Overall Length: 21mm**

Ford Flex 2009 - On

UNIT PACKAGE: 25

# TRIMMING SUNDRIES & FASTENERS

Refer to Retainer Specification Chart



**22206**

(Subaru: 909130105)  
White Nylon

Front & Rear Door, Headliner, Interior Trim,  
Liftgate & Quarter Panel Retainer

**Overall Length: 21mm**

Subaru BRZ, Forester, Impreza, Legacy, Outback, B9  
Tribeca, WRX & XV Crosstrek 2002 - On

UNIT PACKAGE: 50



**22006**

(Hyundai: 82315-36000, 92552-36000)  
White Nylon

Trim Panel Retainer with Sealer

**Overall Length: 21mm**

Hyundai Accent & Elantra 2000 - 1995

UNIT PACKAGE: 25



**21059**

(90602-S5A-003)  
Blue Nylon

Cowl Vent Retainer

**Overall Length: 21mm**

Acura RSX and Honda Civic & CR-V  
2001 - On

UNIT PACKAGE: 15



**21884**

(Peugeot & Citroen: 6990.50)  
White Nylon

Trim Panel Retainer

**Overall Length: 21.3mm**

Peugeot & Citroen

UNIT PACKAGE: 25



**18915**

(6504014)  
White Nylon

Door Trim Panel Retainer

**Overall Length: 21.5mm**

Chrysler Caravan Cirrus, Neon, Ram  
Truck, Stratus & Voyager 1995 - On

UNIT PACKAGE: 50



**17669**

(6502907, 6504452)  
Yellow Nylon

Trim Panel Retainer

**Overall Length: 21.5mm**

Jeep Grand Cherokee  
& Dodge Truck 1993 - On

UNIT PACKAGE: 50



**22220**

(GM: 92138811)  
White Nylon

Front & Rear Door Sill and  
Rocker Panel Moulding Retainer

**Overall Length: 21.6mm**

Chevrolet Caprice & SS 2011 - On  
Pontiac G8 2009 - 2008

UNIT PACKAGE: 25



**19210**

(67771-04040)  
Natural Nylon

Front Door Trim Panel Retainer

**Overall Length: 22mm**

Toyota Tacoma 1995 - On

UNIT PACKAGE: 50



**18294**

(91566-SP0-003)  
White Nylon

Trim Panel Retainer

**Overall Length: 22mm**

Honda 1990 - On

UNIT PACKAGE: 15



**19628**

(5012874-AA, 6505539-AA)  
White Nylon

Door Trim Panel Retainer

**Overall Length: 22mm**

Jeep Grand Cherokee 1999 - On

UNIT PACKAGE: 25



**21333**

(11561654)  
Blue Nylon

Cowl, Pillar, Trim Panel  
& Windshield Retainer

**Overall Length: 22mm**

GM 2006 - On

UNIT PACKAGE: 15



**22288**

(Infiniti: 01553-10641)  
Green Nylon

Door & Interior Trim Panel Retainer

**Overall Length: 22mm**

Infiniti FX35, FX 37, FX50 & QX70  
2009 - On

UNIT PACKAGE: 25

# TRIMMING SUNDRIES & FASTENERS

Refer to Retainer Specification Chart



**18862**

(6503204)  
Green Nylon

Trim Panel Retainer  
**Overall Length: 23mm**  
Chrysler Cirrus & Stratus 1995 - On

UNIT PACKAGE: 50



**20428**

(5028438-AA)  
Green & White Nylon

Door Trim Panel Retainer  
**Overall Length: 24.5mm**  
Chrysler Vans 2001 - On

UNIT PACKAGE: 25



**21250**

(Not Available from O.E.M.)  
Black Nylon

Seat Back & Trim Panel Retainer  
**Overall Length: 23mm**  
Jeep Commander 2006 - On

UNIT PACKAGE: 25



**20190**

(W708621-S300)  
Caramel & Natural Nylon

Trim Panel Retainer  
**Overall Length: 25mm**  
Ford Taurus & Sable  
2000 - On

UNIT PACKAGE: 25



**20765**

(6507055-AA, 6507686-AA)  
Yellow Nylon

Door Panel Retainer  
**Overall Length: 23mm**  
Jeep Grand Cherokee  
2003 - On

UNIT PACKAGE: 50



**20949**

(W711037-S300)  
Black & Blue Nylon

Door Trim Panel Retainer  
**Overall Length: 25mm**  
Ford Edge, Escape, Freestyle  
Mariner, Montego & 500 2005 - On

UNIT PACKAGE: 25



**22149**

(Land Rover: LR027255)  
Blue Nylon

Wheel Arch Moulding Retainer  
**Overall Length: 23mm**  
Land Rover Evoque 2012 - 2004

UNIT PACKAGE: 15



**21131**

(90602-SEP-A00)  
Black Nylon

Trim Panel Retainer  
**Overall Length: 25.5mm**  
Acura TL 2007 - On

UNIT PACKAGE: 15



**19129**

(GM: 95008221;  
Toyota: 67771-30090;  
Chrysler & Mitsubishi: MB608104)  
Yellow Nylon

Door Trim Panel &  
Back Panel Lower Garnish Retainer  
**Overall Length: 23.5mm**  
Toyota Land Cruiser & 2WD Truck 1991 - On  
Geo Prism 1997 - 93

UNIT PACKAGE: 15



**20444**

(15076791)  
White Nylon

Trim Panel Retainer  
**Overall Length: 26mm**  
GM Trucks: Rendezvous, S & T 2002 - On

UNIT PACKAGE: 15



**22031**

(GM: 11569700)  
Gray Nylon

Trim Panel Retainer  
**Overall Length: 24mm**  
Cadillac SRX; Chevrolet Equinox &  
Tahoe and GMC Denali & Yukon 2010 - On

UNIT PACKAGE: 15



**20616**

(GM: 11519031;  
Ford: W711521-S300)  
White Nylon

Door Panel Retainer  
with Sealer  
**Overall Length: 26mm**  
Hummer H2 2003 - On  
Lincoln 2007 - On

UNIT PACKAGE: 15

# TRIMMING SUNDRIES & FASTENERS

Refer to Retainer Specification Chart on



**20427**  
(6505759-AA)  
Gray & White Nylon  
Door Trim Panel Retainer  
**Overall Length: 26mm**  
Chrysler Vans 2001 - On  
UNIT PACKAGE: 25



**21379**  
(15931605)  
Black Nylon  
Cowl Grille Retainer with Sealer  
**Overall Length: 26mm**  
Chevrolet Traverse 2010 - On  
UNIT PACKAGE: 10



**21169**  
(W713297-S300)  
White Nylon  
Door Trim Panel Retainer with Sealer  
**Overall Length: 28mm**  
Ford Flex 2009  
UNIT PACKAGE: 25



**21189**  
(11519032)  
Black Nylon  
Trim Panel Retainer  
**Overall Length: 28mm**  
Buick Lucerne & Rainier, Cadillac DTS,  
Escalade & SPX, Chevrolet Avalanche,  
Malibu, Silverado, Tahoe & Trailblazer,  
GMC Envoy, Sierra, Suburban & Yukon,  
Hummer H2, H3 & H3T, Oldsmobile  
Bravada and Pontiac G6 2002 - On  
UNIT PACKAGE: 10



**18930**  
(22600612, 22651066)  
Yellow Nylon  
Trim Panel Retainer  
**Overall Length: 28mm**  
GM 1996 - On  
UNIT PACKAGE: 25



**22034**  
(GM: 11562568)  
White Nylon  
Windshield Garnish &  
Interior Trim Retainer  
**Overall Length: 29mm**  
Buick Enclave, Lucerne & Verano;  
Cadillac ATS, CTS, SRX & XTS;  
Chevrolet Cruze, Equinox & Traverse and  
GMC Acadia & Terrain 2008 - On  
UNIT PACKAGE: 10



**20563**  
(5023173-AA)  
White Nylon  
Door Trim Panel Retainer  
**Overall Length: 30mm**  
Jeep Liberty 2002 - On  
UNIT PACKAGE: 15



**22090**  
(BMW: 51477117532)  
Brown Nylon  
Scuff Plate Retainer with Sealer Top  
**Overall Length: 30mm**  
Fits into 10mm Hole  
BMW 1, 3, 5, 6 & X Series 2012 - 02  
UNIT PACKAGE: 15



**17685**  
(6502991)  
Yellow Nylon  
Trim Panel &  
Tail Gate Retainer  
**Overall Length: 31.5mm**  
Jeep Cherokee 1993 - On  
UNIT PACKAGE: 25



**22012**  
(Hyundai: 87378-3N000)  
Blue Nylon  
License Plate Panel  
Retainer with Sealer  
**Overall Length: 44.5mm**  
Hyundai Equus 2011 - On  
UNIT PACKAGE: 25



**19775**  
(55350747AB)  
White Nylon  
Door Trim Panel Retainer with Sealer  
Chrysler Mini-Vans 1999 - On  
UNIT PACKAGE: 15



**19428**  
(22646099)  
White Nylon  
Trim Panel Retainer with Sealer  
Chevrolet Cavalier &  
Pontiac Sunfire 1995 - On  
UNIT PACKAGE: 25

## TRIMMING SUNDRIES & FASTENERS

Refer to Retainer Specification Chart on



**19758**  
(25704141)  
Green Nylon

Trim Panel Retainer  
with Sealer  
Buick LeSabre &  
Pontiac Bonneville 2000 - On

UNIT PACKAGE: 10



**19804**  
(5023111AA)  
White Nylon

Trim Panel Retainer  
with Sealer  
Dodge Neon 2000 - On

UNIT PACKAGE: 15



**22250**  
(Jaguar: C2C14628)  
Black Nylon

Trim Panel Retainer  
With Sealer  
Jaguar 2015 - On

UNIT PACKAGE: 15



**20188**  
(003-988-41-78)  
White Nylon

Trim Panel Retainer  
Mercedes-Benz Body Styles  
107, 108, 109, 114, 115,  
123 & 124 1995 - 68

UNIT PACKAGE: 10



**21494**  
(VW: 171-807-249-A)  
Natural Nylon

Trim Panel Retainer  
VW Golf & Audi 1978 - On

UNIT PACKAGE: 25



**20735**  
(463-988-02-78)  
Black Nylon

Door Panel Retainer  
Mercedes-Benz  
G55 & G500  
2002 - On

UNIT PACKAGE: 25



**14363**  
(9927-40-821)  
Natural Nylon

Door Panel Retainer  
Mazda

UNIT PACKAGE: 25



**13179**  
(BMW: 51-41-8-172-050;  
VW: 481-867-197)  
Black Nylon

Trim Panel Retainer  
VW & BMW

UNIT PACKAGE: 50



**16778**  
(Mazda: 9927-40-822;  
Toyota: 62581-14020)  
Natural Nylon

Trim Panel Retainer  
Mazda & Toyota

UNIT PACKAGE: 25



**20252**  
(823-867-299)  
Black Nylon

Trim Panel Retainer  
VW Corrado, Eurovan, Jetta,  
Rabbit & Vanagon 1979 - On

UNIT PACKAGE: 25



# TRIMMING SUNDRIES & FASTENERS

Refer to Retainer Specification Chart



**11349**

(AMC: 4005099; GM: 796255;  
Chry: 6033862)  
Black Nylon

Door Panel Retainer  
American Motors 1976 - On  
GM 1988 - 81  
Jeep Wrangler 1991 - On

UNIT PACKAGE: 25



**13475**

(Renault: 8934-201-681;  
VW: 175-867-299)  
White Nylon

Trim Panel Retainer  
AMC-Renault 1984 - On  
VW 1982 - On

UNIT PACKAGE: 50



**13945**

(01553-S3500)  
White Nylon

Door Trim Panel Retainer  
Nissan Trucks

UNIT PACKAGE: 50



**16017**

(363137)  
White Nylon

Trim Panel Retainer  
Chevrolet Truck & GMC 1976 - On

UNIT PACKAGE: 100

**15461**

Same as 16017 except for unit package quantity

UNIT PACKAGE: 50



**11678**

(Chry: 6003349; GM: 9685057;  
AMC: 4005470; VW: N98905101)  
White Nylon

Door Trim Panel Retainer  
Chrysler, GM, AMC & VW 1976 - On

UNIT PACKAGE: 25



**13453**

(20480475)  
White Nylon

Rear Quarter Panel Retainer  
GM

UNIT PACKAGE: 50



**13461**

(20451401)  
White Nylon

Retains Conduit to Sheet Metal in Doors  
GM

UNIT PACKAGE: 25



**11672**

(387496-S)  
White Nylon

Trim Panel Retainer  
Ford 1976 - On

UNIT PACKAGE: 25



**15669**

(10126901)  
White Nylon

Trim Panel Retainer  
GM 1987-On

UNIT PACKAGE: 50



**20253**

(51-41-1-973-500)  
White Nylon

Trim Panel Retainer  
BMW Series 3, 5 & 7 1987 - On

UNIT PACKAGE: 50



**10621**

(2064891, 9818648, 9883583)  
White Nylon

Door Trim Panel &  
Headliner Retainer  
GM 1971 - On

UNIT PACKAGE: 50

**16260**

Same as 10621 except for unit package quantity

UNIT PACKAGE: 100



**11774**

(9883583)  
White Nylon

Door Trim Panel Retainer  
GM 1971 - On

UNIT PACKAGE: 50

# TRIMMING SUNDRIES & FASTENERS

Refer to Retainer Specification Chart



**12737**  
(12337920, 20374473)  
White Nylon

Door Panel Retainer  
Camaro & Firebird 1982-On  
GM Truck 1989-On

UNIT PACKAGE: 50

**14524**

Same as 12737 except for unit package quantity

UNIT PACKAGE: 25



**11796**  
(3065575)  
White Nylon

Door Trim Panel Retainer  
GM 1978-On

UNIT PACKAGE: 50

**16261**

Same as 11796 except for unit package quantity

UNIT PACKAGE: 100



**13992**  
(20429451)  
White Nylon

Door Trim Panel Retainer  
GM 1984-On

UNIT PACKAGE: 25



**11677**  
(GM: 20298365; Chry: 6013122)  
Natural Nylon

Trim Panel Retainer  
Chrysler 1976-On  
GM 1982-On

UNIT PACKAGE: 50



**17649**  
(15953247)  
White Nylon

Trim Panel Retainer  
GM C & K Trucks 1993-On

UNIT PACKAGE: 50



**20279**  
(25672428)  
White Nylon

Trim Panel Retainer  
with Sealer  
Buick LeSabre & Park Ave., Cadillac  
DeVille & Seville, Oldsmobile Aurora  
& Pontiac Bonneville 1998 - On

UNIT PACKAGE: 10



**15670**  
(15545202)  
White Nylon

Door Trim Panel Retainer  
GM Trucks 1988-On

UNIT PACKAGE: 50



**12992**  
(10073833, 15600382, 20421800)  
White Nylon

Door Trim Panel Retainer  
GM 1983 - On

UNIT PACKAGE: 25



**13946**  
(15588024, 15596301)  
Yellow Nylon

Side & Rear Door Trim Retainer  
GM Astro & Safari Mini-Vans 1985 - On

UNIT PACKAGE: 25



**17092**  
(20734005)  
Yellow Nylon

Door Trim Panel Retainer  
GM 1982 - On

UNIT PACKAGE: 50



**15970**  
(15607165, 15612948)  
White Nylon

Trim Panel Retainer  
GM Trucks 1976 - On

UNIT PACKAGE: 25



# TRIMMING SUNDRIES & FASTENERS

Refer to Retainer Specification Chart on



**18936**  
(N811006-S)  
Natural Nylon

Trim Panel Retainer  
Ford 1995-On

UNIT PACKAGE: 25



**14758**  
(D9AB-74519B18-AA)  
White Nylon

Roof Liner  
Moulding Retainer  
Ford Taurus &  
Sable 1986-On

UNIT PACKAGE: 25



**20341**  
(3B0-868-243)  
Black Nylon

Door Trim Panel Retainer  
VW Beetle, Golf, Jetta &  
Passat 1998 - On

UNIT PACKAGE: 25



**21398**  
(VW: 6K0-868-243-C)  
Black Nylon

Trim Panel Retainer  
Audi and  
Volkswagen Touareg 2004 - On

UNIT PACKAGE: 25



**21144**  
(VW: 8E0-868-243)  
Black Nylon

Interior Trim Panel  
Retainer with Sealer  
Audi A4 & S4, Avant, Sedan Wagon,  
Cabriolet & Quattro 2005 - On

UNIT PACKAGE: 25



**21894**  
(VW: 5X0-867-299)  
Black Nylon

Trim Panel Retainer  
VW, Audi, SEAT & Skoda

UNIT PACKAGE: 15



**21708**  
(VW: 7L6-868-243)  
Black Nylon

Door Trim Panel  
Audi A5, A6, A7, S5, S6  
& S7 And VW Beetle,  
Cabrio, Golf, Gti, Jetta,  
Passat & Touareg 2004 - On

UNIT PACKAGE: 15



**21393**  
(VW: 1H0-868-243)  
Blue & Black Nylon

Trim Retainer  
Audi and Volkswagen Cabrio  
Golf & Jetta 1999 - 1993

UNIT PACKAGE: 25



**21415**  
(VW: 1H0-868-243-B)  
Tan and White Nylon

Adjustable Door  
Trim Panel Retainer  
VW Golf 2002 - 1993

UNIT PACKAGE: 25



**21997**  
(VW: 6N0-868-243A)  
Black & White Nylon

Trim Panel Retainer  
VW, Audi, SEAT & Skoda

UNIT PACKAGE: 10



**22091**  
(BMW: 51717066299)  
Black Nylon

Door Sill Cover Retainer  
T27 Drive  
BMW 5 & 6 Series 2011 - 02

UNIT PACKAGE: 15

# TRIMMING SUNDRIES & FASTENERS

Refer to Retainer Specification Chart on



**21854**

(BMW: 07-14-7-122-913)  
Black Nylon

Rocker Trim  
Wheelhouse Retainer  
T10 Torx® Drive  
1, 3, 6 & X Series 2004 - On

UNIT PACKAGE: 15



**21851**

(BMW: 51-47-8-116-564,  
51-47-2-499-935,  
51-47-8-183-031  
51-47-1-881-521)  
Black Nylon

Floor Mat Lock  
Retainer with Washer  
3, 5, 7 & 8 Series 1997 - On

UNIT PACKAGE: 10



**22245**

(Land Rover: LR012844)  
Black Nylon

Body Liner Twist to Lock Retainer  
Land Rover Discovery,  
Range Rover &  
Range Rover Sport 2004 - On

UNIT PACKAGE: 15



**22092**

(BMW: 51717066226)  
Black Nylon

Rocker Moulding &  
Door Sill Spacer Cover Retainer  
**Overall Length: 27mm**  
BMW 5 & 6 Series 2011 - 02

UNIT PACKAGE: 15



**22086**

(BMW: 07147122912)  
Black Nylon

Rocker Panel &  
Wheelhouse Trim Retainer  
**Overall Length: 32mm**  
BMW 1, 3, 6 & X Series 2012 - 04

UNIT PACKAGE: 15



**19524**

(N807875-S)  
Green Nylon

Door Trim Panel Retainer  
Lincoln Continental 1995 - On

UNIT PACKAGE: 25



**21023**

(6503336)  
Black Nylon

Cowl Screen Retainer  
Use with **18249**  
Dodge Ram 1994 - On

UNIT PACKAGE: 25



**20866**

White Nylon

Double End Retainer  
Marine & Automotive Trim Shops

UNIT PACKAGE: 25



**17599**

(15672328)  
Black Nylon

Radiator Grille Retainer  
GM S-10 & S-15 Pick-Ups 1991-On

UNIT PACKAGE: 25



**FACCA | FASTENERS**

# RETAINER SPECIFICATION CHART

Recommended Hole Size: .030" - .060" smaller than stem diameter



Part No.	Type	Color	Bottom Head Diameter	Top Head Diameter	Stem Diameter	Stem Length	Page No.
3620	5	Black	13/32"		9/64"	7/16"	442
3639	5	White	3/8"		7/32"	7/16"	442
5592	5	Black	1/2"		9/32"	5/8"	442
8853	3	Natural	3/16" x 1/2"		3/16"	5/8"	437
10332	1	Black	1-1/4"		5/16"	1/2"	428
10621	12	White	3/4"	11/16"	5/16"	1/2"	471
10744	3	Black	3/16" x 1/2"		3/16"	7/16"	437
10831	1	Black	11/16"		5/16"	5/8"	425
10832	1	Gray	11/16"		5/16"	5/8"	425
11120	1	Black	13/32"		5/32"	3/8"	416
11129	1	Black	3/8"		7/32"	3/8"	416
11130	1	Black	2"		5/16"	3/4"	434
11136	2	Black	1/2" x 1-1/2"		9/32"	5/8"	441
11146	1	Black	11/16"		5/16"	13/16"	425
11347	1	Black	3/4"		9/32"	1/2"	421
11349	11	Black	3/4"	19/32"	5/16"	11/16"	471
11350	1	White	1-7/32"		5/16"	1-1/16"	433
11351	1	Black	15/16"		5/16"	11/16"	429
11612	1	Black	7/16"		3/16"	5/8"	418
11671	7	Black	5/8"	1/2"	11/32"	1-1/8"	456
11672	11	White	15/16"	29/32"	5/16"	15/16"	471
11673	1	Natural	15/16"		5/16"	11/16"	429
11675	1	Black	5/8"		5/16"	11/16"	420
11677	13	Natural	9/16"	3/8" x 9/16"	11/32"	11/16"	472
11678	11	White	15/16"	29/32"	5/16"	11/16"	471
11679	1	Black	3/4"		9/32"	1/2"	421
11680	1	Black	7/16"		3/16"	5/8"	418
11721	1	Black	1/2"		9/32"	3/4"	417
11774	12	White	3/4"	11/16"	5/16"	1/2"	471
11796	12	White	7/8"	29/32"	5/16"	3/4"	472
11797	10	White	3/4"	1/2"	11/32"	9/16"	457
11842	1	Black	1-1/4"		5/16"	1-3/16"	433
12137	1	Black	1"		7/16"	13/16"	430
12565	7	Black	25/32"	1/2"	5/16"	5/8"	455
12571	1	Black	1"		5/16"	13/16"	429
12731	1	Black	25/32"		5/16"	15/16"	429
12737	12	White	3/4"	21/32"	5/16"	3/4"	472
12759	1	Black	1"		9/32"	1-7/16"	431
12766	1	Black	7/8"		7/16"	13/16"	430
12909	1	Black	1"		9/32"	1-1/16"	431
12992	14	White	3/4" x 7/8"	9/32" x 19/32"	5/16"	3/4"	472
12993	1	Black	1/2"		9/32"	11/16"	418
13179	11	Black	17mm	14mm	11mm	14mm	470
13198	1	Black	16mm		9mm	18mm	421
13453	11	White	15/16"	29/32"	5/16"	11/16"	471
13454	1	Black	21/32"		7/32"	15/32"	421
13461	11	White	15/16"	29/32"	5/16"	1-1/8"	471
13467	1	Black	1"		7/16"	1-7/16"	435

# RETAINER SPECIFICATION CHART

Recommended Hole Size: .030" - .060" smaller than stem diameter



Part No.	Type	Color	Bottom Head Diameter	Top Head Diameter	Stem Diameter	Stem Length	Page No.
13470	7	White	3/4"	1/2"	5/16"	5/8"	455
13475	11	White	19mm	15mm	9mm	18mm	471
13757	Misc.	Black	2" Square		1/4"	9/16"	435
13945	11	White	19mm	15mm	9mm	18mm	471
13946	14	Yellow	3/4" x 7/8"	9/32" x 19/32"	5/16"	3/4"	472
13992	12	White	23/32"	23/32"	5/16"	5/8"	472
14006	1	Black	3/8"		9/32"	1/2"	417
14017	1	Black	1/2"		9/32"	5/8"	418
14021	1	Black	7/16"		7/32"	1/2"	416
14032	1	Black	3/4"		5/16"	1-1/4"	424
14035	1	Natural	19/32"		5/16"	2"	424
14036	1	Black	3/4"		5/16"	1-3/8"	424
14144	10	Black	18mm	13mm	9.5mm	14mm	465
14163	2	Black	1-3/4"		3/8"	3/4"	434
14269	10	White	18mm	13mm	9.5mm	14mm	464
14270	10	Blue/Natural	18mm	13mm	9.5mm	14mm	465
14282	6	Black	13mm		7.5mm	15mm	443
14289	1	Black	13mm		5mm	16mm	418
14291	5	Black	11mm		5.5mm	13mm	442
14299	3	White	7mm x 16mm		6.5mm	5mm	436
14319	4	Black	20mm		18mm	20mm	448
14323	4	Black	18mm		10mm	15mm	447
14328	3	White	7mm x 16mm		6mm	10mm	436
14347	4	Black	18mm		9mm	12mm	447
14348	6	Black	16mm		6.5mm	15mm	444
14349	5	Black	11mm		7mm	15mm	442
14352	6	Black	13mm		6mm	13mm	443
14353	4	Black	14mm		10mm	16mm	447
14355	6	Black	11mm		6mm	13mm	442
14356	4	Black	20mm		11mm	16mm	448
14363	11	White	17mm	15mm	10mm	14mm	470
14367	1	Black	12mm		5mm	12mm	415
14380	4	Black	18mm		12mm	18mm	448
14524	12	White	3/4"	21/32"	5/16"	3/4"	472
14709	1	Black	20mm		5.5mm	9mm	420
14720	4	Black	18mm		12.5mm	15mm	448
14723	4	Black	14mm		9mm	11mm	447
14728	10	Natural/Yellow	16mm	12.5mm	8.5mm	11mm	464
14736	5	Black	14mm		6mm	10mm	444
14737	6	Black	13mm		7mm	15mm	443
14738	6	Black	30mm		8mm	17mm	446
14757	1	Black	1/2"		1/4"	15/16"	422
14758	13	White	7/8" x 7/8"	3/8" x 7/8"	5/16"	19/32"	473
14857	1	Black	1/2"		9/32"	5/8"	418
14921	1	Black	10mm		6mm	12mm	416
14985	3	White	3/16" x 9/16"		1/8" x 3/8"	5/16"	436
15040	1	Black	3/4"		7/32"	11/16"	423
15050	1	Black	15mm		5.5mm	19mm	420

# RETAINER SPECIFICATION CHART

Recommended Hole Size: .030" - .060" smaller than stem diameter



Part No.	Type	Color	Bottom Head Diameter	Top Head Diameter	Stem Diameter	Stem Length	Page No.
15367	1	Black	19/32"		7/32"	3/4"	420
15414	1	Black	11/16"		5/16"	13/16"	425
15456	1	Black	1-21/32"		5/16"	3/4"	433
15457	1	Black	1-3/8"		5/16"	15/16"	433
15461	11	White	3/4"	5/8"	5/16"	1"	471
15478	1	Black	22mm		11mm	28mm	430
15479	1	Black	26mm		8mm	38mm	431
15480	1	Black	25mm		8mm	20mm	429
15481	1	Black	25mm		7.5mm	20mm	428
15523	1	Black	1"		1/4" x 5/16"	1-1/8"	428
15543	1	Black	7/8"		5/16"	1-3/32"	426
15664	1	White	11/16"		5/16"	5/8"	425
15668	1	Black	1-3/4"		9/32"	1"	434
15669	11	White	15/16"	29/32"	5/16"	1-1/4"	471
15670	14	White	1/2"	1/4" x 29/64"	5/16"	3/4"	472
15707	10	Gray	17.5mm	13mm	10mm	14mm	465
15709	7	Natural	17.5mm	13mm	9.5mm	13mm	464
15970	14	White	9/16" x 11/16"	9/32" x 1/2"	5/16"	3/4"	472
15998	1	Black	30mm		6.5mm	9mm	432
16017	11	White	3/4"	5/8"	5/16"	1"	471
16132	1	Black	19mm		9mm	20mm	426
16259	1	Black	11/16"		5/16"	5/8"	425
16260	12	White	3/4"	11/16"	5/16"	1/2"	471
16261	12	White	7/8"	29/32"	5/16"	3/4"	472
16262	1	Black	7/8"		7/16"	13/16"	430
16263	1	Black	1"		7/16"	13/16"	430
16695	9	White	20mm	18mm	8mm	23mm	458
16775	1	Black	20mm		4.5mm	15mm	426
16776	1	Black	18mm		7.5mm	20mm	422
16777	4	Black	15mm		12mm	15mm	447
16778	11	Natural	18.5mm	14mm	11.5mm	14mm	470
16779	4	Black	18mm		11mm	15mm	448
16781	6	Black	15mm		8.5mm	20mm	444
16818	1	Black	3/4"		11/32"	7/8"	423
16863	1	Black	1-3/4"		5/16"	29/32"	434
16938	9	Black	8mm	14mm	8mm	15mm	457
17004	2	Black	1-5/16"		3/8"	3/4"	435
17072	Misc.	Black	1-1/2"		1-1/4"	5/16"	436
17075	9	White	3/4"	33/64"	5/16"	13/16"	457
17076	1	Black	18mm		7mm	23mm	427
17092	14	Yellow	13/16" x 29/32"	5/8"	5/16"	3/4"	472
17102	7	White	3/4"	1/2"	5/16"	1"	455
17124	7	Black	3/4"	1/2"	11/32"	3/4"	455
17205	4	Black	14mm		8mm	15mm	447
17215	1	Black	40mm		8mm	13mm	434
17218	7	Natural	20mm	13mm	8mm	18mm	455
17237	Misc.	Black	29.5mm		7mm	9mm	435
17339	3	Black	5mm x 15mm		4mm	12mm	440

# RETAINER SPECIFICATION CHART

Recommended Hole Size: .030" - .060" smaller than stem diameter



Part No.	Type	Color	Bottom Head Diameter	Top Head Diameter	Stem Diameter	Stem Length	Page No.
17381	1	Gray	32mm		8mm	20mm	433
17452	5	Black	13mm		5mm	15mm	443
17453	1	Gray	15mm		6.5mm	14mm	419
17599	Misc.	Black	3/4"		9/32" x 11/32"	11/16"	474
17612	1	Black	5/8"		3/8"	3/4"	426
17634	1	Black	12mm		6mm	16mm	417
17649	13	White	1/2" x 5/8"	9/32" x 1/2"	5/16"	7/8"	472
17664	1	Black	11/16"		5/16"	1-1/16"	425
17669	10	Yellow	23/32"	1/2"	5/16"	9/16"	467
17685	10	Yellow	18mm	13mm	8mm	25mm	469
17975	2	Black	1-3/16"		5/16"	1/2"	434
17990	6	Black	14mm x 15mm		7mm	19mm	444
17991	3	Black	8mm x 17mm		8mm	14mm	441
18033	3	White	1/4" x 21/32"		1/4"	15/32"	440
18114	4	Black	10mm		7.5mm	10mm	446
18157	6	Gray	13mm		5mm	16mm	444
18166	Misc.	Black	10mm		4mm	10mm	441
18174	1	Black	3/4"		5/16"	13/16"	423
18175	7	Natural	15/16"	1/2"	5/16"	15/16"	456
18248	2	Black	7/16"		11/64"	3/8"	442
18271	5	Black	14mm		6mm	15mm	444
18277	1	Gray	1"		5/16"	1-1/2"	432
18294	10	White	18mm	13mm	10.5mm	14mm	467
18297	6	Black	13mm		7.5mm	11mm	443
18298	1	Black	1/2"		5/16"	11/16"	417
18301	1	Black	3/4"		11/32"	1-3/16"	423
18302	1	Black	7/16"		7/32"	15/32"	416
18330	3	White	3/16" x 37/64"		11/64"	9/16"	441
18371	1	Gray	3/4"		5/16"	1-1/4"	424
18379	1	Black	23/32"		5/16"	7/8"	423
18389	1	Black	1/2"		9/32"	7/16"	416
18391	7	Natural	3/4"	1/2"	5/16"	1-5/32"	456
18458	4	Black	14mm		6mm	10mm	446
18508	3	Black	3/16" x 19/32"		15/32"	5/16"	441
18509	3	Natural	9/32" x 35/64"		9/32"	1/2"	437
18510	3	Natural	3/16" x 1/2"		13/64"	13/32"	436
18679	1	Gray	1"		7/16"	13/16"	430
18680	1	Black	1-1/32"		9/32"	1-3/32"	430
18682	1	Black	1/2"		1/4"	3/4"	419
18683	1	Black	23/64"		3/16"	7/16"	415
18684	1	Black	3/8"		5/32"	3/8"	415
18685	1	Black	31/32"		9/32"	3/4"	427
18688	1	Gray	1-1/32"		9/32"	1-3/32"	431
18692	3	Natural	5mm x 15mm		5mm Hole	10mm	439
18746	Misc.	Black	30mm		15mm x 18mm	10mm	435
18770	1	Black	3/8"		7/32"	5/8"	416
18771	1	Black	1"		19/64"	1-1/16"	430

# RETAINER SPECIFICATION CHART

Recommended Hole Size: .030" - .060" smaller than stem diameter



Part No.	Type	Color	Bottom Head Diameter	Top Head Diameter	Stem Diameter	Stem Length	Page No.
18815	1	Black	9/16"		5/16"	3/4"	419
18818	6	Natural	7mm x 16mm		5mm	12mm	441
18820	1	Black	3/4"		7/32"	1/2"	421
18824	10	White	15mm	13mm	9mm	9.5mm	458
18827	2	Black	25/32"		5/16"	7/16"	434
18842	6	Black	30mm		8.5mm	17mm	446
18844	10	White	18mm	13mm	10mm	13mm	463
18848	7	Yellow	3/4"	1/2"	3/8"	11/16"	455
18859	1	Black	19/32"		5/16"	1-3/8"	423
18861	8	White	18mm	13mm	8.5mm x 8.5mm	12mm	450
18862	10	Green	23/32"	19/32"	5/16"	5/8"	468
18874	10	Gray	18mm	13mm	9.5mm	15mm	466
18875	8	White	19mm	13mm	11mm	15mm	452
18876	10	White	18mm	13mm	9mm x 9mm	14mm	465
18877	3	Orange	5mm x 15mm		6mm	10mm	440
18878	6	Black	30mm		6mm	16mm	446
18897	1	Black	13/32"		13/64"	7/8"	417
18915	10	White	23/32"	1/2"	5/16"	9/16"	467
18930	10	Yellow	18mm	13mm	9mm	18mm	469
18936	14	White	19/32"	39/64" x 7/16"	5/16"	1/2"	473
18948	1	Black	7/16"		7/32"	11/16"	417
18950	10	Black/White	18mm	13mm	10mm	13mm	463
19014	Misc.	Natural	11mm x 12mm		9.5mm	16mm	442
19016	10	Dark Gray	18mm	13mm	9.5mm	15mm	466
19108	10	Natural	18mm	13mm	9.5mm	14mm	466
19109	10	Natural	15mm	13mm	9.5mm	11mm	460
19112	6	Black	30mm		8mm	16mm	446
19113	6	Black	25mm		8mm	12mm	445
19114	4	Black	12mm		8.5mm	9mm	446
19116	3	Natural	5mm x 15mm		6mm	10mm	440
19121	1	Gray	20mm		8mm	20mm	426
19123	Misc.	Black	17mm		7mm	12mm	444
19124	4	Black	16mm		10mm	10mm	447
19127	1	Black	1"		1/4"	25/32"	427
19129	10	Yellow	18mm	13mm	9.5mm	17mm	468
19145	10	Gray	17mm	13mm	9mm	12mm	461
19149	1	Black	3/8"		7/32"	5/8"	417
19155	2	Black	1-9/32"		3/8"	3/4"	435
19171	3	Green	5mm x 15mm		5mm Hole	10mm	439
19197	1	Gray	25mm		8mm	20mm	429
19203	10	Natural	18mm	13mm	11mm	11mm	461
19210	10	Natural	18mm	13mm	10mm	14mm	467
19213	7	Natural	3/4"	1/2"	11/32"	3/4"	455
19250	1	White	11/16"		5/16"	13/16"	425
19257	9	Maroon	18mm	13mm	9.5mm	14mm	466
19270	9	White	20mm	18mm	8mm	24mm	457
19275	9	White	20mm	18mm	8mm	13mm	457
19312	1	Black	16mm		5mm	13mm	419

# RETAINER SPECIFICATION CHART

Recommended Hole Size: .030" - .060" smaller than stem diameter



Part No.	Type	Color	Bottom Head Diameter	Top Head Diameter	Stem Diameter	Stem Length	Page No.
19320	8	White	16mm	12mm	9mm	11mm	449
19323	6	Black	26mm		10mm	8mm	445
19325	3	Brown	5mm x 13mm		7mm	6mm	438
19331	6	Black	14mm		7mm	11mm	444
19334	8	Natural	16mm	12mm	9mm	15mm	453
19338	1	Black	1-1/4"		5/16"	11/16"	433
19352	1	Gray	3/4"		5/16"	1-7/16"	425
19354	1	Tan	3/4"		5/16"	1-7/16"	425
19356	9	White	20mm	18mm	8mm	20mm	457
19368	3	Natural	5mm x 15mm		5mm Hole	9mm	438
19371	1	Blue	19/32"		9/32"	27/32"	426
19373	1	Light Gray	19/32"		9/32"	27/32"	426
19374	1	Tan	19/32"		9/32"	27/32"	426
19385	6	Gray	26mm		10mm	8mm	445
19386	10	Natural	20mm	15mm	9mm	15mm	466
19418	1	Black	13/32" x 1"		9/32"	9/16"	437
19425	3	Natural	9/32" x 1/2"		7/32"	21/32"	437
19428	Misc.	White	20mm	18mm	8mm	19mm	469
19449	1	Black	13/64" x 7/8"		7/32"	5/8"	437
19464	7	Natural	16mm	13mm	7mm	13mm	452
19466	10	White	17mm	13mm	9.5mm	12mm	460
19467	6	Black	13mm		6mm	10mm	443
19468	1	Black	28mm		6mm	10mm	432
19470	1	Black	16mm		4mm	21mm	422
19481	3	Blue	5mm x 15mm		6mm Hole	8mm	438
19483	3	Black	8mm x 18mm		7mm	15mm	441
19501	1	Tan	1-1/32"		9/32"	1-1/32"	431
19506	1	Black	16mm		5mm	16mm	420
19524	Misc.	Green	15mm		8mm	13mm	474
19527	10	Yellow	20mm	18mm	8mm	13mm	457
19541	1	Black	1"		9/32"	5/8"	428
19628	10	White	18mm	15mm	8.5mm	14mm	467
19643	1	Black	16mm		6mm	16mm	421
19655	2	Black	1-3/16"		3/8"	3/4"	434
19667	1	Black	3/4"		7/32"	11/16"	421
19673	1	Black	10mm x 15mm		5mm	10mm	417
19678	3	White	5mm x 15mm		6mm	10mm	437
19682	4	Black	11mm		7mm	8mm	446
19683	3	Black	6mm x 16mm		7mm	14mm	441
19684	3	Blue	7mm x 16mm		6mm Hole	12mm	440
19686	1	Black	12mm		5mm Sq.	6mm	415
19719	8	White	18mm	13mm	10mm	11mm	450
19720	3	Black/White	8mm x 17mm		7mm Hole	16mm	441
19724	3	White	6mm x 16mm			15mm	441
19728	3	Black	8mm x 17mm		7mm Hole	14mm	441
19729	4	Black	25mm		9mm	10mm	445
19731	10	White	17mm	13mm	9.5mm	13mm	461
19744	1	Black	16mm		6mm	27mm	422



# RETAINER SPECIFICATION CHART

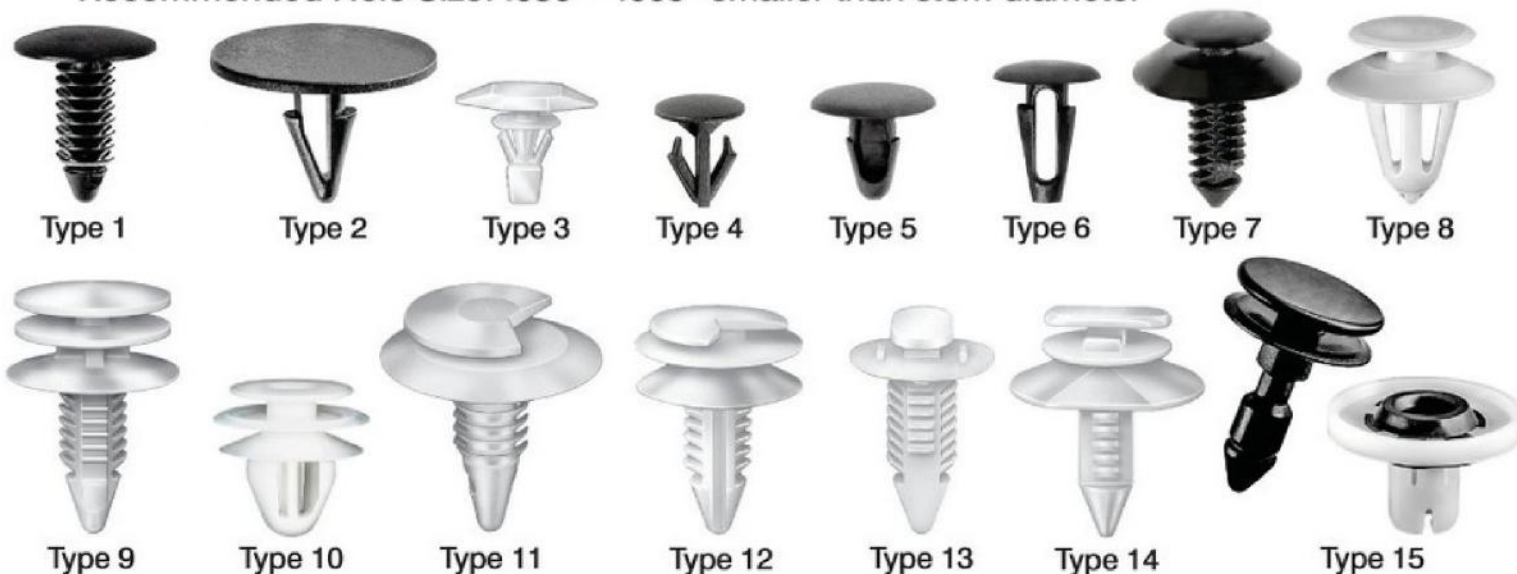
Recommended Hole Size: .030" - .060" smaller than stem diameter



Part No.	Type	Color	Bottom Head Diameter	Top Head Diameter	Stem Diameter	Stem Length	Page No.
19746	Misc.	White	10.5mm		3.5mm, 5mm	15mm	415
19749	3	White	5mm x 15mm		6mm Hole	10mm	439
19758	Misc.	Green	19mm	19mm	8mm	20mm	470
19760	1	Black	25mm		8mm	24mm	428
19774	1	Black	13/32"		5/16"	1-5/16"	469
19775	Misc.	White	18mm	13mm	8mm	18mm	469
19790	1	Gray	11/16"		5/16"	13/16"	425
19802	10	White	16mm	12mm	8mm	24mm	455
19804	Misc.	White	22mm	16mm	9mm	15mm	470
19810	7	Black	13mm	12mm	8mm	19mm	455
19834	1	Black	3/4"		5/16"	1-1/16"	427
19836	1	Black	7/16"		7/32"	11/16"	418
19837	1	Black	3/4"		11/32"	13/16"	427
19842	Misc.	Black	18mm		11mm	22mm	423
19845	1	Med. Graphite	1"		5/16"	1-3/4"	432
19846	1	Black	1"		5/16"	1-3/4"	432
19850	3	Natural	5mm x 15mm		5mm	8mm	438
19855	1	Black	23/32"		15/64" x 9/32"	3/4"	425
19893	1	Black	5/8"		1/4"	3/4"	422
19898	10	Yellow	18mm	13mm	9.5mm	13mm	465
19910	10	Yellow	18mm	13mm	9mm x 9mm	14mm	465
20164	2	Black	30mm		8mm	12mm	434
20165	1	Black	10mm		6mm	12mm	416
20177	1	Gray	11/16"		5/16"	1-3/8"	423
20180	3	Black	6.5mm x 11mm		5.5mm	12mm	437
20181	3	White	6.5mm x 16mm		6mm	8mm	438
20182	3	White	6.5mm x 16mm		6mm	6mm	436
20184	1	Black	16mm		8mm	16mm	421
20188	11	White	18mm	13mm	8.5mm	11mm	470
20189	1	Black	1"		5/16"	5/8"	427
20190	Misc.	Carmel/White	20mm	13mm	8.5mm	16mm	468
20192	1	Black	11/16"		5/16"	1-3/4"	424
20252	11	Black	18mm	14mm	9mm	14mm	470
20253	12	White	18mm	14mm	9mm	15mm	471
20256	1	Black	15mm		4.5mm	14mm	419
20262	1	Black	1"		7/16"	9/16"	430
20274	7	White	23mm	13mm	6.5mm	20mm	455
20279	Misc.	White	13/16" x 1-7/16"	5/16" x 3/4"	5/16"	7/8"	472
20281	1	Black	21mm		13mm	27mm	429
20311	1	Black	14mm		7mm	9mm	417
20316	1	Black	1"		5/16"	13/16"	430
20319	1	Black	25mm		9mm	12mm	427
20334	1	Black	18mm		7.5mm	20mm	422
20338	9	White	25/32"	11/16"	5/16"	1-1/4"	458
20341	Misc.	Black	22mm		10.5mm	10mm	473
20344	1	Black	7/16"		7/32"	5/16"	416

# RETAINER SPECIFICATION CHART

Recommended Hole Size: .030" - .060" smaller than stem diameter



Part No.	Type	Color	Bottom Head Diameter	Top Head Diameter	Stem Diameter	Stem Length	Page No.
20345	1	Gray	1"		1/4" x 5/16"	1-1/8"	431
20360	1	Black	15/16"		3/8"	3/4"	427
20362	1	Black	25mm		13mm	15mm	430
20366	1	Black	22mm		7.5mm	35mm	424
20381	6	Black	16mm		7mm	16mm	444
20399	1	Black	3/4"		7/32"	15/32"	421
20411	10	Black	14.5mm	13mm	9.5mm	12mm	461
20427	10	Gray/White	20mm	15mm	9mm	18mm	469
20428	10	Green/White	20mm	15mm	9mm	18mm	468
20437	10	White	18mm	13mm	8.5mm x 8.5mm	15mm	463
20443	3	Black	5mm x 15mm		7mm	10mm	439
20444	10	White	19mm	20mm	11mm	17mm	468
20473	8	White	18mm	13mm	11mm	14mm	452
20515	10	Yellow/White	20mm	15mm	9mm	14mm	466
20528	1	Black	9mm		6mm	14mm	416
20531	1	Black	21mm		7.5mm	25mm	423
20541	1	Tan	35mm		7.5mm	20mm	433
20543	4	Black	26mm		12mm	14mm	448
20558	10	White	15mm	13mm	8.5mm x 9.5mm	11mm	459
20559	10	Blue	18mm	13mm	9mm x 9mm	11mm	459
20563	10	White	22mm	16mm	9mm	15mm	469
20571	8	White	18mm	13mm	9mm	9mm	449
20575	10	Yellow/White	18mm	13mm	10mm	13mm	463
20576	8	Yellow	14mm x 18mm	10mm x 13mm	8.5mm x 8.5mm	9mm	449
20609	1	Black	30mm		15mm x 20mm	14mm	435
20610	10	White	16mm	13mm	9mm	15mm	466
20611	8	Blue	16mm	12mm	3mm	7mm	449
20615	1	Black	35mm		8mm	20mm	433
20616	10	White	18.5mm	19.5mm	11mm	17mm	468
20624	1	Black	18mm		7.5mm	33mm	423
20625	1	Tan	25mm		8mm	29mm	431
20633	10	Turquoise	18mm	13mm	8.5mm x 9mm	14mm	464
20634	7	White	16mm	13mm	7mm	26mm	456
20642	8	Gray	16mm	13mm	9mm	13mm	449
20668	10	White	18mm	13mm	9mm	14mm	463
20669	10	Black	18mm	13mm	9mm	15mm	465
20670	10	Gray	18mm	13mm	8.5mm	12mm	459
20671	5	Black	20mm		9.5mm	15mm	445
20672	7	White	16mm	13mm	4mm	13mm	452
20735	11	Black	18mm	11.5mm	9mm	14mm	470
20760	3	Natural	5mm x 15mm		8mm	7mm	438
20761	1	Black	18mm		8.5mm	32mm	424
20765	10	Yellow	18mm	15mm	10mm	15mm	468
20770	4	Yellow	10mm		9mm	14.5mm	446
20814	9	White	25/32"	11/16"	5/16"	13/16"	458
20829	7	Black	18mm	14mm	8mm	15mm	454
20831	3	Blue	5mm x 14mm		6.5mm	10mm	439
20866	Misc.	White	1/2"		11/32"	7/16" & 7/8"	474

# RETAINER SPECIFICATION CHART

Recommended Hole Size: .030" - .060" smaller than stem diameter



Part No.	Type	Color	Bottom Head Diameter	Top Head Diameter	Stem Diameter	Stem Length	Page No.	
20874	1	Black	25mm		7mm	23mm	431	
20878	1	Black	19mm		7.5mm	16mm	426	
20879	10	Green	17mm	13mm	9mm	14mm	463	
20881	8	White	16mm	13mm	8mm	13mm	450	
20882	6	Black	20mm		7mm	15mm	445	
20893	1	Black	12.5mm		7.5mm	15mm	417	
20926	1	Black	18mm		7.5mm	44mm	424	
20932	8	White	18mm	14mm	12mm	14mm	452	
20944	7	Green	25mm	18mm	8mm	24mm	456	
20949	10	Black & Blue	16mm	13mm	8mm	12mm	468	
20959	10	Blue	15mm	13mm	9.5mm	13mm	462	
20983	10	White	18mm	13mm	9mm	13mm	460	
20995	15	White	19.5mm	19mm		22mm	456	
			Grommet Flange: 24mm; Grommet Stem Length: 12mm; Fits into 9mm Hole					
20996	15	Yellow	19.5mm	19mm		22mm	456	
			Grommet Flange: 24mm; Grommet Stem Length: 12mm; Fits into 9mm Hole					
20998	15	Black & White	19.5mm	19mm		22mm	457	
			Grommet Flange: 24mm; Grommet Stem Length: 12mm; Fits into 9mm Hole					
20999	15	Green & Yellow	19.5mm	19mm		22mm	457	
			Grommet Flange: 24mm; Grommet Stem Length: 12mm; Fits into 9mm Hole					
21012	8	Black	18mm	13mm	9.5mm	14mm	452	
21023	Misc.	Black	9/16"		19/64"	13/32"	474	
21026	1	Black	20mm		8.5mm	20mm	426	
21059	10	Blue	18mm	12mm x 13mm	8.5mm x 8.5mm	14mm	467	
21070	10	White	16mm	13mm	9.5mm	10mm	460	
21087	10	Orange	18mm	12mm	9.7mm	14mm	465	
21088	8	White	17mm	13mm	9.5mm	14mm	452	
21090	1	Black	1"		11/32"	3/4"	428	
21091	8	Black	25mm	13mm	10.5mm	14mm	455	
21102	10	White	18mm	13mm	8.5mm	14mm	463	
21105	4	Black	20mm		14mm	10mm	448	
21107	7	White	16mm	13mm	4mm	13mm	451	
21118	10	White	18mm	13mm	10mm	14mm	465	
21125	1	Black	20mm x 36mm		17mm	25mm	437	
21131	10	Black	18mm	12mm	9.5mm	13mm	468	
21137	10	Black	15mm	13mm	10mm	8mm	458	
21138	10	White	18mm	14mm	9mm	14mm	464	
21139	10	White	18mm	12mm	9.5mm	11mm	460	
21143	1	Black	8.5mm x 14mm		5mm x 7.5mm	14mm	437	
21144	Misc.	Black	27mm	21.5mm	11mm	19mm	473	
21149	10	White	15mm	13mm	9.5mm	11mm	459	
21169	10	White	22mm	16mm	11mm	17mm	469	
21188	10	Pink	18mm	15mm	10mm	12mm	459	
21189	10	Black	19mm	20mm	11mm	16mm	469	
21199	1	Black	18mm		7.5mm	20mm	420	
21206	10	Orange	18mm	13mm	8.5mm	14mm	463	
21208	10	Gray	18mm	13mm	9mm	12mm	461	
21211	4	Black	24mm		9mm	12mm	434	

# RETAINER SPECIFICATION CHART

Recommended Hole Size: .030" - .060" smaller than stem diameter



Part No.	Type	Color	Bottom Head Diameter	Top Head Diameter	Stem Diameter	Stem Length	Page No.
21226	8	Black	18mm	13mm	9mm	10mm	452
21227	1	Tan	45mm		9.5mm	20mm	434
21228	1	Tan	25mm		8.5mm	37mm	432
21229	6	Black	6.4mm x 16mm		3.5mm x 6mm	10mm	439
21240	10	Green	18mm	14mm	9mm	10mm	460
21241	1	Black	26mm		7.5mm	28mm	431
21247	10	Green	18mm	15mm	12mm	14mm	466
21248	1	Tan	25mm		7.5mm	22mm	428
21250	10	Black	16mm	13mm	11mm	14mm	468
21253	1	Gray	20mm		6mm	15mm	422
21254	1	Black	20mm		8mm	8mm	448
21257	1	Black	23mm		8mm	20mm	426
21287	1	Opal Gray	25mm		8mm	58mm	432
21288	1	Black	28mm		6mm	10mm	432
21289	10	Yellow	18mm	12.5mm	9.5mm	14mm	464
21295	6	Black	10mm		6mm	8mm	442
21296	6	Black	13mm		7mm	10mm	443
21301	1	Black	25mm		5.8mm	25.5mm	428
21303	1	Black	18mm		7mm x 7mm	13mm	419
21307	4	Black	9mm		5.5mm	7mm	446
21313	1	Black	31mm		7.6mm	13mm	433
21329	10	Black	18mm	15mm	9mm	13mm	464
21332	1	Tan	20mm		6mm	15mm	422
21333	10	Blue	18mm	13mm	10mm	14mm	467
21334	3	White	5mm x 15mm		8mm	8mm	438
21338	1	Black	25.4mm		8mm	27mm	428
21346	7	White	12mm x 16mm	15mm	5mm	34mm	456
21349	1	Gray	18mm		8mm	16mm	420
21350	1	Tan	18mm		8mm	16mm	420
21360	10	White	16mm	13mm	10mm	12mm	463
21364	8	Green	17mm	15mm	9mm	14mm	453
21365	8	Blue	17mm	13mm	9mm	13mm	450
21379	10	Black	18.5mm	19.5mm	11mm	16mm	469
21380	1	Black	28mm		8mm	17mm	432
21381	1	Black	5mm x 13mm		8mm	11mm	437
21382	1	Black	6mm x 16mm		8mm	14mm	436
21383	7	White	19mm	19mm	7mm	22mm	456
21385	1	Light Gray	33mm		8mm	41mm	433
21386	1	Tan	33mm		8mm	41mm	433
21392	1	Black	23mm		6.5mm	16mm	426
21393	Misc.	Green & Black	19mm	28mm	9mm	9mm	473
21398	Misc.	Black	18mm	22mm	9mm	11mm	473
21410	10	White	18mm	13mm x 18mm	10.7mm	12mm	459
21412	8	Gray	18.5mm	14mm	12mm	13mm	454
21414	10	White	18mm	13mm	9mm	13mm	463
21415	Misc.	Tan & White	28.5mm		9.5mm	11mm	473
21421	1	Black	30mm		7.7mm	13mm	432
21443	1	Black	30mm		7.8mm	15mm	432

# RETAINER SPECIFICATION CHART

Recommended Hole Size: .030" - .060" smaller than stem diameter



Part No.	Type	Color	Bottom Head Diameter	Top Head Diameter	Stem Diameter	Stem Length	Page No.
21450	8	Black	18mm	13.5mm	9mm	14mm	451
21458	1	Black	10mm		5.5mm	7mm	415
21488	8	Gray	17mm	13mm	9mm	14mm	450
21489	8	Yellow	17mm	15mm	9mm	14mm	453
21494	11	Natural	18mm	12mm	9.5mm	12mm	470
21495	8	Blue	18mm	13mm	9mm	14mm	451
21496	8	White	18mm	12mm	10mm	12mm	450
21497	Misc.	Black	6mm x 15mm		7.5mm	17mm	447
21502	10	White	15mm	13mm	9.5mm	14mm	465
21509	Misc.	White	18mm	12mm	10mm	16mm	449
21516	7	White	18mm	12mm	10mm	20mm	456
21519	1	Black	12mm		6mm	15mm	417
21520	4	Black	14mm		6.5mm	10mm	446
21532	7	White	12mm	13mm	8mm	25mm	456
21535	15	White	19.5mm	19.5mm		26mm	457
Grommet Flange: 24mm; Grommet Stem Length: 12mm; Fits into 9mm Hole							
21536	15	Yellow	19.5mm	19.5mm		26mm	457
Grommet Flange: 24mm; Grommet Stem Length: 12mm; Fits into 9mm Hole							
21538	8	Charcoal	18mm	13mm	9.5mm	13mm	452
21548	1	Black	10mm		6mm	10mm	415
21551	Misc.	Black	12mm	9mm	7mm	13mm	449
21552	3	White	9mm	5mm x 15mm	6.5mm	4mm	438
21554	10	Black	15mm	13mm	9.5mm	11mm	461
21560	1	Black	20mm		7mm	15mm	422
21565	3	White	5mm x 14mm		7mm	8.5mm	438
21567	8	Gray	18mm	11mm x 15mm	9.7mm	12mm	451
21573	5	Black	9mm		6.5mm	13mm	442
21574	10	White	15mm	13mm	9.5mm	11mm	460
21584	10	White	18mm	13mm	9.3mm	10mm	458
21588	4	Black	8mm		5.3mm	7mm	446
21589	1	Black	18mm		7.7mm	15mm	419
21591	8	Black	17mm	11mm x 14mm	9.7mm	12mm	451
21626	6	Black	12mm		6.5mm	11mm	443
21627	1	Black	9mm		5.3mm	8mm	415
21630	1	Black	20mm		6mm	22mm	422
21633	3	White	6mm x 16mm		6.5mm	12mm	441
21634	Misc.	Black	16.5mm		9mm	13mm	445
21638	10	White	15mm	13mm	9.5mm	11mm	460
21640	10	Black	18mm	13mm	9mm	14mm	465
21643	6	Black	7mm x 13mm		7.5mm	13mm	444
21652	Misc.	Black	30mm		15mm x 21mm	14mm	435
21654	10	White	18mm	13mm	9.5mm	14mm	463
21661	1	Black	20mm		7mm	10mm	421
21673	1	Black	20mm		9mm	17mm	422
21675	10	Green	18mm	13mm	9.5mm	11mm	460
21676	10	Yellow	18mm	13mm	9.5mm	12mm	462
21678	8	Black	18.5mm	14mm	12mm	14mm	452
21679	1	Black	19mm		8mm	26mm	423

# RETAINER SPECIFICATION CHART

Recommended Hole Size: .030" - .060" smaller than stem diameter



Part No.	Type	Color	Bottom Head Diameter	Top Head Diameter	Stem Diameter	Stem Length	Page No.
21686	10	Green	18mm	13mm x 16mm	9mm	9mm	459
21690	8	White	16mm	12mm	8mm x 8mm	14mm	453
21691	1	Black	24mm		6mm x 6mm	13mm	428
21692	6	Black	4.5mm x 11mm		6.5mm	9mm	443
21693	1	Black	16mm		4.7mm x 4.7mm	12mm	419
21694	3	Black	8mm	5mm x 14mm	6.3mm	5mm	438
21695	6	Black	4.5mm x 11mm		6.5mm	9mm	443
21696	7	Pale Yellow	16mm	12mm	4mm	6.5mm	449
21701	10	Black	18mm	13mm	10mm	11mm	459
21704	3	Green	9.5mm	5mm x 15mm	7mm	11mm	440
21705	3	Yellow	7.5mm	5mm x 15mm	6.5mm	7mm	440
21706	8	Black	20mm			14mm	486
21707	3	White	6.5mm		7mm	8.5mm	440
21708	Misc.	Black	22.5mm		9mm	12mm	473
21755	1	Black	15mm		6.5mm	14mm	419
21756	1	Clear	11/16"		5/16"	13/16"	425
21757	5	Black	18mm		9mm	15mm	445
21758	4	Black	14mm		7mm x 9mm	18mm	447
21770	1	Black	14mm		6mm	17mm	417
21773	3	Black	8mm	5mm x 11mm	6mm	7mm	440
21776	5	Black	25mm		9.5mm	16mm	435
21777	Misc.	Black	18mm	18mm	5mm x 8mm	18mm	455
21783	Misc.	Black	16mm	16mm	10mm	9mm	450
21785	Misc.	Yellow & Black	17mm	16mm		9mm	458
21786	Misc.	Black & White	17mm	13mm	8mm	9mm	458
21787	8	White	18mm	12mm	9.5mm	16mm	454
21788	10	White	18mm	14mm	9.5mm	14mm	466
21789	1	Black	23mm		11mm	16mm	430
21794	Misc.	White	18mm	15mm		12mm	456
21795	Misc.	White	18mm	13mm			454
21800	1	Black	13mm		7mm	15mm	418
21801	1	White	13mm		7mm	17mm	418
21802	1	Black	15mm		8mm	17mm	418
21803	1	Black	20mm		8mm	23mm	418
21804	1	Gray	20mm		8mm	23mm	418
21805	1	Black	35mm		10mm x 10.5mm	22mm	429
21806	1	Black	35mm		10.5mm	22mm	429
21808	1	White	10mm		8mm	15mm	416
21809	1	Black	21mm		7.5mm	23mm	428
21814	10	White	18mm	13mm	12mm	11mm	461
21819	8	Yellow	17.5mm	13mm	10mm	16mm	454
21822	10	White	18mm	13mm	8.5mm x 9mm	14mm	464
21851	Misc.	White	18.5mm			21mm	474
21853	8	Yellow	17.5mm	13mm	10.5mm	15mm	454
21854	1	Black	20mm		7mm	33mm	474
21855	1	Black	10.7mm		5.8mm	14mm	417
21868	1	Black	20mm		8mm	17mm	427

# RETAINER SPECIFICATION CHART

Recommended Hole Size: .030" - .060" smaller than stem diameter



Part No.	Type	Color	Bottom Head Diameter	Top Head Diameter	Stem Diameter	Stem Length	Page No.
21870	4	Light Gray	18mm		11.5mm	13mm	447
21871	11	White	16.5mm	13mm	8.7mm	11mm	449
21873	10	White	18mm	14mm	9.5mm	14mm	466
21877	1	Black	19.5mm		7mm	13mm	419
21878	1	Black	14mm		7.5mm x 8mm	16mm	419
21879	4	Black	20mm		8mm	10mm	446
21880	4	Black	12mm		7mm	10mm	446
21884	10	White	18mm	11mm	8mm	13mm	467
21891	4	Black	20mm		11mm	7mm	434
21893	7	White	13mm	17mm	12mm	13mm	454
21894	10	Black	22mm	22mm	9.3mm	14mm	473
21895	10	Blue	18mm	13mm	12mm	12mm	462
21896	8	Gray	18mm	13.3mm	9.3mm	13mm	450
21900	6	Black	24mm		7mm	10mm	427
21905	1	Gray	21mm		7.5mm	19mm	427
21906	1	Black	30mm		8mm	18mm	427
21907	1	Gray	30mm		8mm	18mm	429
21908	6	Black	18mm		11mm	12mm	447
21909	6	Gray	18mm		11.3mm	12mm	447
21910	1	Black	16mm		9mm	20mm	419
21911	1	Gray	16mm		9mm	20mm	420
21912	1	Black	16mm		9mm	20mm	420
21913	1	Dark Gray	16mm		12mm	19mm	420
21914	1	Black	40mm		10.5mm	26mm	429
21916	9	Yellow	18mm	12.3mm	12mm	13mm	462
21917	9	Yellow	18mm	12.3mm	12mm	13mm	462
21918	5	Black	7mm x 12mm		8mm	9mm	442
21919	5	Black	7mm x 12mm		7mm	9mm	441
21920	4	Black	9mm x 18mm		8.5mm	10mm	442
21936	1	Black	11.5mm		5.5mm	12mm	416
21937	1	Black	21mm		7.7mm	16mm	421
21938	1	Black	18mm		7mm	17mm	420
21939	1	Tan	21mm		7.7mm	16mm	421
21940	1	Black	18mm		7.3mm	16mm	420
21941	1	Light Gray	21mm		7.7mm	16mm	421
21942	5	Black	9.3mm		6.5mm	13mm	421
21943	5	Gray	12mm		7.5mm	13mm	442
21944	10	Green/White	18mm	12.5mm	10.5mm	12mm	462
21947	1	Black	16mm		5.5mm	26mm	422
21949	3	Black	5mm x 12mm		7mm	10mm	440
21974	10	White	17mm	14mm	8.5mm	11mm	462
21975	11	White	17mm	14mm	9mm	10mm	449
21976	10	White	16.5mm	16mm	8.7mm	13mm	464
21977	7	White	18mm	13mm	11.5mm	12mm	450
21978	12	White	17mm	14mm	9mm	10mm	462
21980	3	Yellow	5mm x 13mm		5.7mm	5mm	439
21981	6	Black	5.5mm x 17mm		5mm	7mm	436
21982	6	Black	5mm x 13mm		5mm	9mm	436

# RETAINER SPECIFICATION CHART

Recommended Hole Size: .030" - .060" smaller than stem diameter



Part No.	Type	Color	Bottom Head Diameter	Top Head Diameter	Stem Diameter	Stem Length	Page No.
21984	1	Black	10mm		6mm	9mm	415
21991	8	Black	14mm	14mm	10mm	10mm	449
21995	8	White	19mm	17mm	12mm	10mm	454
21996	8	Yellow/White	19mm	17mm	12mm	10mm	454
21997	7	Black/White	28mm	19mm	10mm	12mm	473
21998	9	Yellow/White	17mm	13mm		9mm	461
22001	6	Black	9mm x 13mm		7.5mm	10mm	444
22003	10	White	18mm	13mm	11mm	13mm	462
22004	10	White	18mm	13mm	9mm	15mm	464
22005	10	White	18mm	15mm	10.7mm	12mm	462
22006	10	White	18.5mm	13mm	10.3mm	15mm	467
22008	10	Black	16mm	14mm	10.3mm	10mm	458
22009	10	White	15mm	13mm	9.6mm	13mm	464
22012	10	Blue	18mm	15mm	10.5mm	39mm	469
22031	10	Gray	18mm	16.5mm	10mm	15mm	468
22034	9	White	20mm	19mm	9mm	19mm	469
22046	4	Black	9.3mm x 14.5mm		7mm	16mm	447
22048	10	White	18mm	13mm	9mm x 9.5mm	11mm	459
22053	1	Black	25mm		11mm	45mm	431
22054	6	Black	20mm		7mm	16mm	445
22056	8	White	18mm	13mm	8.5mm x 8.5mm	13mm	452
22057	8	Black	18mm	13mm	9mm	12mm	450
22060	3	Black	6.5mm x 16mm		3.5mm x 5.5mm	8mm	439
22063	Misc.	White	12mm	13mm		14mm	452
22071	Misc.	Black	20mm			15mm	448
22073	Misc.	Black	32mm			12mm	448
22075	1	Black	20mm		8.7mm	16mm	422
22082	6	Black	26mm			14mm	445
22086	Misc.	Black	22mm	30mm		14mm	474
22090	10	Brown	20mm	11.6mm x 15mm		16mm	469
22091	1	Black	20mm		7mm	24mm	473
22092	8	Black	18.5mm	30mm		14mm	474
22093	7	Black	12.3mm	12.3mm	5.5mm	17mm	454
22103	4	Black	20mm		9mm	9mm	435
22107	Misc.	Black	6mm x 15mm		5.6mm x 7mm	12mm	436
22132	Misc.	Gray	22mm	20mm		11mm	454
22133	Misc.	Red	16mm	10mm		7.8mm	451
22149	10	Blue	18mm	14mm	10mm	16mm	468
22152	10	White	18mm	12.5mm	11.5mm	10mm	459
22153	8	White	15mm	8mm x 10mm	12mm	8mm	449
22156	10	White	17mm	13mm		13mm	462
22157	10	Yellow	18mm	13mm	12mm	11mm	464
22162	3	Orange	5mm x 15mm		8mm	8mm	438
22168	Misc.	Black	18mm x 21.5mm			9mm	435
22179	Misc.	Black	18mm	13mm	10.8mm	14.5mm	451
22180	1	Black	23mm		7.6mm	30mm	424
22206	9	White	15mm	13mm	9.6mm x 9.6mm	14mm	467



# RETAINER SPECIFICATION CHART

Recommended Hole Size: .030" - .060" smaller than stem diameter



Part No.	Type	Color	Bottom Head Diameter	Top Head Diameter	Stem Diameter	Stem Length	Page No.
22207	8	Black	17mm	11mm x 14mm	9.7mm	12mm	451
22209	4	Black	20mm			19mm	448
22211	1	Black	23mm		8mm	15mm	432
22212	6	Black	4.3mm x 11mm		6.2mm	10mm	444
22214	6	Black	7.5mm		5.5mm	10mm	443
22220	10	White	19mm	14mm		14mm	467
22221	Misc.	Black	71mm			15mm	445
22229	10	Gray	18mm	14.5mm	9.5mm	14mm	466
22231	10	Black	12mm	10mm	8mm	9mm	458
22233	1	Black		32mm	8.5mm	16mm	433
22236	8	White	18mm	13mm	9.3mm	13mm	451
22237	10	White	18mm	13mm	9mm	13mm	463
22240	8	Yellow	17mm	15mm	9mm	14mm	450
22243	8	White	16mm	13mm	9.5mm	12mm	450
22244	8	White	17mm	14mm	10.8mm	11mm	454
22245	Misc.	Black	19mm			23mm	474
22250	7	Black	18mm	15mm	7.2mm	20mm	470
22251	Misc.	White	15mm	14.5mm	11mm	15mm	453
22252	10	Yellow	18mm	13mm	10.5mm	12mm	451
22254	Misc.	Black	31mm		7mm	12mm	448
22259	7	Black	21mm	13mm	7.4mm	14mm	455
22263	6	Black	16mm		8mm	11mm	445
22267	10	White	18mm	13mm	11mm	14mm	465
22269	Misc.	White	14.5mm	14.5mm	10mm	12mm	460
22278	8	Gray	17mm	13mm	9mm	14mm	453
22279	8	Yellow	17mm	15mm	9mm	15mm	454
22285	10	Red	18mm	14.3mm	9.5mm	13mm	462
22286	Misc.	White	14mm			10mm	445
22288	9	Green	18mm	13mm	9.5mm	15mm	467
22302	3	Yellow	6.5mm	5mm x 15mm	8mm	8mm	439
22305	10	Yellow	17mm	13.3mm	9.3mm	13mm	460
22309	10	White	17mm	13.3mm	9.3mm	13mm	461
22310	3	White	9.5mm x 16.5mm			13.5mm	437
22312	10	Gray	15mm	13mm	9.5mm	12mm	460
22313	10	Green	18mm	13mm	10mm	10mm	459
22315	Misc.	Gray	18mm	13mm	9mm	15mm	466
22320	3	Black	5mm x 13mm		8mm	10mm	436
22321	3	Black	4.5mm x 13mm		7.6mm	7.5mm	436
22325	3	Red	5mm x 15mm		7mm	8mm	439
22336	10	White	12mm	10mm	7.2mm	10mm	458
22337	3	White	9.3mm	5mm x 15mm	7mm	11mm	446
22338	1	Black	26mm		7.6mm	28mm	431
22343	10	Green	15mm	13mm	9.8mm	10mm	459
22355	3	Green	11mm	5mm x 15mm	8mm	9.5mm	438
22356	3	Pink	11mm	5mm x 5mm	8mm	9.5mm	438

## PUSH-TYPE RETAINERS



**17227**  
(21077405)  
Black Nylon

Door Handle to Door Hardware  
Attachment Push-Type Retainer  
Head Diameter: 7mm  
Stem Length: 10mm  
Fits into 5mm Hole  
2 Door & 4 Door Models  
GM Saturn 1991 - On

UNIT PACKAGE: 25



**19854**  
(21097229)

Door Handle Push-Type Retainer  
Head Diameter: 7mm  
Stem Length: 10mm  
Fits into 5mm Hole  
Saturn 2 Door & 4 Door 1999 - On

UNIT PACKAGE: 25



**21967**  
(Peugeot & Citroen: 6902.07)  
Black Nylon

Push-Type Retainer  
Head Diameter: 8mm  
Stem Length: 7mm  
Fits into 3.5mm Hole  
Peugeot & Citroen

UNIT PACKAGE: 100



**21968**  
(Peugeot & Citroen: 6972.24;  
Renault & Dacia: 77-03-072-224)  
Black Nylon

Push-Type Retainer  
Head Diameter: 8mm  
Stem Length: 8mm  
Fits into 4mm Hole  
Peugeot, Citroen, Renault & Dacia

UNIT PACKAGE: 25



**21585**  
(909130003)  
Black Nylon

Upper Grille Push-Type Retainer  
Head Diameter: 9mm  
Stem Diameter: 7mm  
Fits into 4mm Hole  
Subaru Baja, Legacy, & Outback  
2006 - 2000

UNIT PACKAGE: 25



**21780**  
(BMW: 51-47-8-166-992)  
Black Nylon

Trunk Lid Compartment Trim &  
Wheel Well Push-Type Retainer  
Head Diameter: 9mm  
Stem Length: 7mm  
Fits into 5mm Hole  
3, 5, & M Series 1993 - On

UNIT PACKAGE: 25



**14016**  
(GM: 16500308; Chry: 6500787)  
Black Nylon

Tail Light Retainer  
Large Head Diameter: 3/8" (9.5mm)  
Stem Length: 7/16" (11)mm  
Fits into 3/16" (4.8mm) Hole  
GM & Chrysler

UNIT PACKAGE: 25



**13999**  
(20363491)  
Black Nylon

Body Side Moulding Push-Type Retainer  
Large Head Diameter: 3/8" (9.5mm)  
Stem Length: 1/2" (12.7mm)  
Fits into 7/32" (5.6mm) Hole  
GM 1979 - On

UNIT PACKAGE: 25



**13230**  
(Mercedes: 000-990-03-92;  
Volvo: 947-098)  
Black Nylon

Push-Type Retainer  
Head Diameter: 10mm  
Stem Diameter: 7mm  
Fit into 5mm Hole

UNIT PACKAGE: 50



**22230**  
(Subaru: 909140059)  
Black Nylon

Front & Rear Bumper Push-Type Retainer  
Head Diameter: 10mm  
Stem Length: 8.5mm  
Fits into 5mm Hole  
Subaru Forester, Impreza, Legacy,  
Outback, WRX, XV Crosstrek 2008 - On

UNIT PACKAGE: 15

## PUSH-TYPE RETAINERS



### 21663

(EA01-50-037)  
Black Nylon

Push-Type Retainer  
Head Diameter: 10mm  
Stem Length: 9mm  
Fits into 5mm Hole  
Mazda 2, 3, CX7, CX9, MX3,  
MX5 Miata & RX8 1992 - On

UNIT PACKAGE: 15



### 21779

(BMW: 51-46-7-002-606)  
Black Nylon

Front Bumper, Grille, Trunk Panel  
& Rear Window Push-Type Retainer  
Head Diameter: 10mm  
Stem Length: 11mm  
Fits into 6.3mm Hole  
3, 5, 7 & Z Series 1997 - On

UNIT PACKAGE: 25



### 22125

(Toyota: 90467-05170)  
Black Nylon

Front Bumper Push-Type Retainer  
Head Diameter: 10mm  
Stem Length: 10mm  
Fits into 5mm Hole  
Lexus IS 250, IS 350 & NX 300h and  
Toyota Corolla, Highlander, Matrix & RAV4  
2012 - On

UNIT PACKAGE: 25



### 21103

(90467-05090-B1)  
Black Nylon

Front Bumper Fascia Push-Type Retainer  
Head Diameter: 10mm  
Stem Length: 12mm  
Fits into 5mm Hole  
Toyota Corolla, Matrix & Scion 2008 - On

UNIT PACKAGE: 10



### 21037

(000-990-84-92)  
Black Nylon

Push-Type Retainer  
Head Diameter: 10mm  
Stem Length: 10mm  
Fits into 6mm Hole  
Mercedes-Benz 2005-On

UNIT PACKAGE: 25



### 21881

(Peugeot & Citroen: 6972.11)  
Black Nylon

Mud Flap Push-Type Retainer  
Head Diameter: 10mm  
Stem Length: 12mm  
Fits into 6.3mm Hole  
Peugeot & Citroen

UNIT PACKAGE: 25



### 20187

(BMW: 51-16-1-881-149;  
Mercedes: 000-990-34-92;  
VW: N-102-593-01)  
Black Nylon

Radiator Housing Push-Type Retainer  
Head Diameter: 10mm  
Stem Length: 10mm  
Fits into 6mm Hole  
Body Styles 116, 123, 124, 136, 129, 140,  
170, 201, 208, & 210 1974 - On  
BMW & VW

UNIT PACKAGE: 15



### 21233

(86157-3700)  
Black Nylon

Hood Mounting Push-Type Retainer  
Head Diameter: 10mm  
Stem Length: 13mm  
Fits into 5mm Hole  
Hyundai Azera 2009 - On

UNIT PACKAGE: 25



### 22238

(VW: N-905-369-01)  
Black Nylon

Bumper, Hood, Interior Trim &  
Quarter Panel Push-Type Retainer  
Head Diameter: 10mm  
Stem Length: 11mm  
Fits into 5mm Hole  
Audi 90, A4 & S4 and VW Beetle,  
Golf & Jetta 1993 - On

UNIT PACKAGE: 25



### 11702

(D6EA-1A100-AA)  
Natural Nylon

Wheel Ornament Push-Type Retainer  
Head Diameter: 25/64" (10mm)  
Stem Length: 19/32" (15mm)  
Fits into 9/32" (7.1mm) Hole  
Ford 1976 - On

UNIT PACKAGE: 50

# PUSH-TYPE RETAINERS



**19242**  
(15672149)  
Black Nylon

Air Inlet Grille Panel Push-Type Retainer  
Head Diameter: 13/32" (10.3mm)  
Stem Length: 11/16" (17.5mm)  
Fits into 7/32" (5/6mm) Hole  
GM Jimmy, Blazer, S-10, & Bravada  
1994 - On

UNIT PACKAGE: 25



**19186**  
(90657-SB0-003)  
Black Nylon

Front Bumper Cover Push-Type Retainer  
Head Diameter: 11mm  
Stem Length: 10mm  
Fits into 8mm Hole  
Acura Legend, Honda  
Accord & Odyssey 1991 - On

UNIT PACKAGE: 10



**21972**  
(Peugeot & Citroen: 6992.18)  
Black Nylon

Push-Type Retainer  
Top Head Diameter: 10.5mm  
Bottom Head Diameter: 11mm  
Stem Length: 6mm  
Fits into 6mm Hole  
Overall Length: 24.5mm  
Peugeot & Citroen

UNIT PACKAGE: 15



**21662**  
(S51S-51-833)  
Black Nylon

Push-Type Retainer  
Head Diameter: 11mm  
Stem Length: 11mm  
Fits into 7mm Hole  
Mazda 3, MX5 Miata & RX8 2004 - On

UNIT PACKAGE: 15



**21989**  
(VW: 191-867-775A)  
Black Nylon

Tailgate Push-Type Retainer  
Top Head Diameter: 11mm  
Bottom Head Diameter: 12mm  
Stem Length: 7mm  
Fits into 7mm Hole  
Overall Length: 27mm  
VW, Audi, SEAT & Skoda

UNIT PACKAGE: 10



**14990**  
(22538102)  
Black Nylon

Push-Type Retainer  
Head Diameter: 7/16" (11mm)  
Stem Length: 15/32" (11.9mm)  
Fits into 15/64" (6mm) Hole  
GM 1987 - On

UNIT PACKAGE: 50



**11854**  
(14005089)  
Natural Nylon

Air Conditioning Vent &  
General Purpose Push-Type Retainer  
Head Diameter: 7/16" (11mm)  
Stem Length: 9/32" (7.1mm)  
Fits into 3/16" (4.8mm) Hole  
GM 1979 - On

UNIT PACKAGE: 25



**17383**  
(96057847)  
Black Nylon

Radiator Grille & Trim Panel  
Push-Type Retainer  
Head Diameter: 11mm  
Stem Length: 14mm  
Fits into 7mm Hole  
Geo Tracker & Prizm 1992-89

UNIT PACKAGE: 10



**21218**  
(90467-05063-C0)  
Black Nylon

Front Bumper Push-Type Retainer  
Head Diameter: 11mm  
Stem Length: 8mm  
Fits into 5mm Hole  
Toyota Corolla 2009 - On

UNIT PACKAGE: 15



**21249**  
(90467-07071-22)  
Black Nylon

Bumper Cover Push-Type Retainer  
Head Diameter: 11mm  
Stem Length: 14mm  
Fits into 7mm Hole  
Toyota Yaris 2009 - On

UNIT PACKAGE: 25

# PUSH-TYPE RETAINERS



**21711**  
(Mercedes-Benz: 000-991-59-40)  
Black Nylon & Santoprene Rubber

Push-Type Retainer  
Head Diameter: 11mm  
Stem Length: 16mm  
Fits into 6mm Hole  
CLS55, CLS500, C Class,  
E Class & S1k Class 2006 - On

UNIT PACKAGE: 15



**18032**  
(6502573)  
Black Nylon

Cowl Screen Attachment  
Push-Type Retainer  
Head Size: 15/32" (11.9mm)  
Stem Length: 9/16" (14.3mm)  
Fits into 1/4" (6.4mm) Square Hole  
Chrysler Concorde & LHS, Dodge Intrepid  
& Eagle Vision 1993 - On

UNIT PACKAGE: 15



**14988**  
(Ford: N805229S;  
GM: 15648833, 22595587)  
Black Nylon

Push-Type Retainer  
Head Diameter: 7/16" (11mm)  
Stem Length: 11/16" (17.5mm)  
Fits into 15/64" (6mm) Hole  
Ford & GM 1987 - On

UNIT PACKAGE: 25



**16783**  
(66824-01G00)  
Black Nylon

Push-Type Retainer  
Head Diameter: 12mm  
Stem Length: 8mm (Excluding the Pin)  
Fits into 6mm Hole  
Nissan

UNIT PACKAGE: 25



**17214**  
(GM: 10089262, 21042098;  
Chrysler: 55075139)  
Black Nylon

Push-Type Retainer  
Head Diameter: 11mm (7/16")  
Stem Length: 18mm (11/16")  
Fits into 6mm (15/64") Hole  
GM & Saturn 4 Door & Station Wagon 1987 - On

UNIT PACKAGE: 25

**14987**

Same as 17214 except unit package quantity

UNIT PACKAGE: 50



**21935**  
(Renault & Dacia: 77-03-072-361)  
Black Nylon

Push-Type Retainer  
Head Diameter: 12mm  
Stem Length: 10mm  
Fits into 6mm Hole  
Renault & Dacia

UNIT PACKAGE: 15



**20636**  
(123-990-00-92)  
Dark Gray Nylon

Push-Type Retainer  
Head Diameter: 12mm  
Stem Length: 10mm  
Fits into 8.5mm Hole  
Mercedes-Benz

UNIT PACKAGE: 15



**19788**  
(10246149; 22657634)  
Black Nylon

Rocker Panel Push-Type Retainer  
Head Diameter: 11mm  
Stem Length: 20mm  
Fits into 6mm Hole  
GM Achieva, Cutlass, Grand Am  
& Malibu 1999 - On

UNIT PACKAGE: 25



**21391**  
(N038-550-1)  
Dark Gray Nylon

Bumper, Exterior Trim, Fender,  
Quarter Panel & Wheel Opening  
Push-Type Retainer  
Head Diameter: 12mm  
Stem Length: 11mm  
Fits into 8mm Hole  
Audi and Volkswagen EuroVan,  
Golf, Jetta & Passat 2003 - 1985

UNIT PACKAGE: 25

# PUSH-TYPE RETAINERS



**20639**  
(000-990-44-92)  
Black Nylon

Push-Type Retainer  
Head Diameter: 12mm  
Stem Length: 11mm  
Fits into 5mm x 5mm Hole  
Mercedes-Benz

UNIT PACKAGE: 25



**20640**  
(000-990-40-92, 124-990-05-92-9051)  
Black Nylon

Push-Type Retainer  
Head Diameter: 12mm  
Stem Length: 11mm  
Fits into 5mm Hole  
Mercedes-Benz

UNIT PACKAGE: 25



**21882**  
(Peugeot & Citroen: 6991.F0;  
Renault & Dacia: 77-03-072-261)  
Black Nylon

Push-Type Retainer  
Torx® Drive (T27)  
Head Diameter: 12mm  
Stem Length: 14mm  
Fits into 6mm Hole  
Peugeot, Citroen, Renault & Dacia

UNIT PACKAGE: 25



**22303**  
(BMW: 51-16-8-197-908)  
Black Nylon

Upper Cover & Spoiler  
Push-Type Retainer  
Head Diameter: 12mm  
Stem Length: 13mm  
Fits into 7mm Hole  
BMW 1, 3, M3 & Z4 and  
Mini-Cooper Base, John Cooper Works,  
Countryman & Paceman 2013 - On

UNIT PACKAGE: 15



**20666**  
(22677979, 22677980)  
Gray Nylon

Door Trim  
Push-Type Retainer  
Head Diameter: 12mm  
Stem Length: 14mm (Excluding the Pin)  
Fits into 6mm Hole  
Chevrolet Malibu 2004 - On

UNIT PACKAGE: 25



**21246**  
(22690838)  
Black Nylon

Door Trim Push-Type Retainer  
Head Diameter: 12mm  
Stem Length: 14mm (Excluding the Pin)  
Fits into 6mm Hole  
Chevrolet Malibu & Pontiac G6 2004 - On

UNIT PACKAGE: 25



**19787**  
(22657634)  
Black Nylon

Fender & Rocker Panel  
Push-Type Retainer  
Head Diameter: 12mm  
Stem Length: 17mm  
Fits into 6mm Hole  
Chevrolet Malibu, Oldsmobile Achieva &  
Cutlass and Pontiac Grand Am 1999 - On

UNIT PACKAGE: 25



**19522**  
(22644361)  
Black Nylon

Door Sill Trim Plate Push-Type Retainer  
Head Diameter: 12mm  
Stem Length: 18mm  
Fits into 6mm Square Hole  
Chevrolet Malibu, Olds Achieva  
& Cutlass 1997 - On

UNIT PACKAGE: 15



**21875**  
(Peugeot & Citroen: 6555.LE;  
Renault & Dacia: 77-03-072-236)  
Black Nylon

Push-Type Retainer  
Torx® Drive (T27)  
Head Diameter: 12.5mm  
Stem Length: 9mm  
Fits into 6mm Hole  
Peugeot, Citroen, Renault & Dacia

UNIT PACKAGE: 25



**22201**  
(BMW: 51498166702)

Trim Panel Push-Type Retainer  
Head Diameter: 12.5mm  
Stem Length: 12mm  
Fits into 8.5mm Hole  
BMW 1, 2, 3, 5, 6, 7, X & Z Series  
1995 - On

UNIT PACKAGE: 15

## PUSH-TYPE RETAINERS



**20163**  
(25099299)  
Black Nylon

Radiator Sight Shield &  
Air Filter Housing Push-Type Retainer  
Head Diameter: 12.5mm  
Stem Length: 17mm  
Fits into 6mm Hole  
GM 1994 - On

UNIT PACKAGE: 15



**17106**  
(GM: 22566221;  
Chrysler: 6501577)  
Black Nylon

Headlight Door Push-Type Retainer  
Top Head Diameter: 1/2" (12.7mm)  
Stem Length: 7/16" (11mm)  
Fits into 3/16" (4.8mm) Hole  
GM Blazer & Suburban 1991 - On  
Chrysler New Yorker, Landau &  
5th Avenue 1988 - On

UNIT PACKAGE: 50



**14995**  
(GM: 10195515;  
Ford: N805026S;  
Chrysler: 4696488, 6503163)  
Black Nylon

Push-Type Retainer  
Head Diameter: 1/2" (12.7mm)  
Stem Length: 1-13/64" (30.5mm)  
Fits into 9/32" (7mm) Hole  
GM, Ford & Chrysler 1987 - On

UNIT PACKAGE: 25



**21970**  
(Peugeot & Citroen: 6990.C4)  
Black Nylon

Push-Type Retainer  
Head Diameter: 13mm  
Stem Length: 10mm  
Fits into 6mm Hole  
Peugeot & Citroen

UNIT PACKAGE: 25



**22178**  
(Ford: W707365-S300)  
Black Nylon

Front Fender Push-Type Retainer  
Head Diameter: 13mm  
Stem Length: 10mm  
Fits into 7mm Hole  
Ford Edge 2015 - On

UNIT PACKAGE: 10



**17287**  
(90687-SB0-003, 90687-SB0-013)  
Black Nylon

Cowl Vent Panel Retainer  
Head Diameter: 13mm  
Stem Length: 11mm  
Fits into 6mm Hole  
Honda Prelude 1983 - On

UNIT PACKAGE: 25



**21769**  
(Mazda: G14S-50-EA1)  
Black Nylon

Push-Type Retainer  
Head Diameter: 13mm  
Stem Length: 13mm  
Fits into 8mm Hole  
CX7 & Miata 2004 - On

UNIT PACKAGE: 25



**22155**  
(Land Rover: LR033144)  
Black Nylon

Pillar, Rocker & Floor Moulding  
Push-Type Retainer  
Head Diameter: 13mm  
Stem Length: 13mm  
Fits into 8mm Hole  
Land Rover HSE & Range Rover  
2012 - On

UNIT PACKAGE: 15



# PUSH-TYPE RETAINERS



**20314**  
(000-990-37-92)  
Black Nylon

Trunk Trim & General Purpose  
Push-Type Retainer  
Head Diameter: 13mm  
Stem Length: 14mm  
Fits into 8mm Hole  
Mercedes-Benz SL500 &  
SL600 Convertible 1999 - On

UNIT PACKAGE: 15



**19726**  
(94858343)  
Black Nylon

Door Trim Panel  
Push-Type Retainer  
Head Diameter: 14mm  
Stem Length: 8mm  
Fits into 6mm Hole  
Geo Prizm 1998 - On

UNIT PACKAGE: 15



**21849**  
(Toyota: 90467-05136)  
Black Nylon

Inner Door Lock Plate, Engine Cover &  
Outside Air Duct Push-Type Retainer  
Head Diameter: 13mm  
Stem Length: 15mm  
Fits into 5.5mm Hole  
Lexus & Toyota 2012 - On

UNIT PACKAGE: 25



**19645**  
(94858864)  
Gray Nylon

Door Trim Panel  
Push-Type Retainer  
Head Diameter: 14mm  
Stem Length: 8mm  
Fits into 6mm Hole  
Geo Prizm 1998 - On

UNIT PACKAGE: 15



**21172**  
(W713202-S300,  
W713445-S300)  
Black Nylon

Bumper Push-Type Retainer  
Head Diameter: 13mm  
Stem Length: 18mm  
Fits into 8mm Hole  
Ford Fusion 2006 - On

UNIT PACKAGE: 15



**22058**  
(Ford: N807673-S)  
Black Nylon

Tailgate Push-Type Retainer  
Head Diameter: 14mm  
Stem Length: 9mm  
Fits into 7mm Hole  
Ford Explorer Sport Trac 2010 - 2007

UNIT PACKAGE: 10



**19355**  
(15960621)  
Black Nylon

Rear Door Radio Speaker  
Push-Type Retainer  
Head Diameter: 17/32" (13.5mm)  
Stem Length: 1-5/64" (27.5mm)  
Fits into 1/4" (6.4mm) Hole  
GM Trucks C & K 1, 2 1995 - On

UNIT PACKAGE: 25



**21451**  
(333-867-633-4FB)  
Black Nylon

Front Lights & Windshield Washer  
Push-Type Retainer  
Head Diameter: 14mm  
Stem Length: 10mm  
Fits into 8.5mm Hole  
VW 1998 - 95

UNIT PACKAGE: 25



**20196**  
(90467-06133-CO)  
Black Nylon

Rocker Panel Push-Type Retainer  
Head Diameter: 14mm  
Stem Length: 8mm  
Fits into 6mm Hole  
Toyota 4-Runner 1998 - On

UNIT PACKAGE: 15



**14697**  
(GM: 94198687;  
Honda: 90657-SA6-0030;  
Mazda: N304-13-356-A)  
Black Nylon

Push-Type Retainer  
Head Diameter: 14mm  
Stem Length: 11mm  
Fits into 7mm Hole

UNIT PACKAGE: 25



# PUSH-TYPE RETAINERS



**16816**  
(21047094)  
Black Nylon

Push-Type Retainer  
Top Head Diameter: 14mm  
Stem Length: 14mm  
Fits into 6mm Hole  
GM Saturn 1991 - On

UNIT PACKAGE: 25



**21104**  
(90467-07190-B2)  
Black Nylon

Interior Trim Push-Type Retainer  
Head Diameter: 14mm  
Stem Length: 14mm  
Fits into 7mm Hole  
Toyota Echo & Scion 2004 - On

UNIT PACKAGE: 10



**17478**  
(B101-68-252-00)  
Black Nylon

Interior Trim Push-Type Retainer  
Head Diameter: 14mm  
Stem Length: 16mm  
Fits into 6mm Hole  
Ford Probe & Mazda MX6 1988 - On

UNIT PACKAGE: 25



**16859**  
(Nissan: 66860-01W01;  
GM: 94051993)  
Black Nylon

Cowl Panel to Reinforcement Plate &  
Engine Splash Shield Push-Type Retainer  
Head Diameter: 14mm (9/16")  
Stem Length: 16mm (5/8")  
Fits into 6mm (1/4") Hole  
Nissan 1980 - On  
Geo Storm 1990 - On

UNIT PACKAGE: 25



**22349**  
(Ford: W719367-S300)  
Black Nylon

Push-Type Retainer  
Head Diameter: 14mm  
Stem Length: 18mm  
Fits into 8mm x 11mm Hole  
Ford

UNIT PACKAGE: 15



**19337**  
(N808908-S)  
Black Nylon

Headlight Accessory Push-Type Retainer  
Head Diameter: 14mm  
Stem Length: 23mm  
Fits into 6.3mm (1/4") Hole  
Ford Mustang 1996 - On

UNIT PACKAGE: 10



**20943**  
(15014352)  
Black Nylon

Cowl Vent Push-Type Retainer  
Head Diameter: 14mm  
Stem Length: 23mm  
Fits into 7mm Hole  
Buick Lucerne 2006 - On

UNIT PACKAGE: 15



**18353**  
(15960325)  
White Nylon

Door Trim Panel Push-Type Retainer  
Head Diameter: 9/16" (14.3mm)  
Stem Length: 41/64" (16.3mm)  
Fits into 1/4" (6.4mm) Hole  
GM Trucks C, K, 1, 2, 3 1995 - On

UNIT PACKAGE: 50



**21593**  
(46064AE000)  
Black Nylon

Front Fender, Bumper &  
Quarter Panel Push-Type Retainer  
Head Diameter: 15mm  
Stem Length: 8mm  
Fits into 7mm Hole  
Subaru Baja, Forester, Impreza,  
Legacy & Outback 2003 - On

UNIT PACKAGE: 10



**21990**  
(VW: 6L0-121-136A)  
Black Nylon

Push-Type Retainer  
Head Diameter: 15mm  
Stem Length: 8mm  
Fits into 7mm Hole  
VW, Audi, SEAT & Skoda

UNIT PACKAGE: 15

# PUSH-TYPE RETAINERS



**21328**

(86155-2H100)  
Black Nylon

Cowl & Bumper Push-Type Retainer  
Head Diameter: 15mm  
Stem Length: 10mm  
Fits into 7mm Hole  
Hyundai Genesis & Veracruz  
and Kia Rio 2009 - On

UNIT PACKAGE: 15



**22160**

(Subaru: 909140062)  
Black Nylon

Front & Rear Bumper  
Push-Type Retainer  
Head Diameter: 15mm  
Stem Length: 10mm  
Fits into 7mm Hole  
Subaru BRZ, Forester, Impreza &  
XV Crosstrek 2008 - On

UNIT PACKAGE: 15



**19013**

(90467-07059-22)  
Black Nylon

Rear Door Trim &  
Luggage Compartment Door  
Push-Type Retainer  
Head Diameter: 15mm  
Stem Length: 10mm  
Fits into 7mm Hole  
Toyota Camry & Celica 1990 - On

UNIT PACKAGE: 15



**22280**

(VW: 3C0-853-934)  
Black Nylon

Splash Shield & Rocker  
Moulding Push-Type Retainer  
Head Diameter: 15mm  
Hex: 8mm (with 4mm Allen Drive)  
Stem Length: 10mm  
Fits into 8mm Hole  
Volkswagen CC 2009 - On  
Passat 2010 - 2006

UNIT PACKAGE: 25



**14696**

(Honda: 90684-SA5-0030;  
Isuzu: 8942981190;  
Nissan 10998-30880)  
Black Nylon

Push-Type Retainer  
Head Diameter: 15mm  
Stem Length: 11mm  
Fits into 6mm Hole

UNIT PACKAGE: 25



**21658**

(Mitsubishi: MR288150;  
Subaru: 909130013)  
Black Nylon

Push-Type Retainer  
Head Diameter: 15mm  
Stem Length: 11mm  
Fits into 6mm Hole  
Mitsubishi Endeavor, Galant, Lancer,  
Mirage, Montero & Outlander 1997 - On  
Subaru BRZ, Forester, Impreza, Legacy,  
Outback, & XV Crosstrek 2004 - On

UNIT PACKAGE: 10



**21140**

(MB619582)  
Black Nylon

Interior Trim, Bumper & Grille  
Push-Type Retainer  
Head Diameter: 15mm  
Stem Length: 12mm  
Fits into 6.3mm Hole  
Mitsubishi Eclipse, Endeavor,  
Lancer & Outlander 2002 - On

UNIT PACKAGE: 25



**22199**

(Honda: 90657-SA5-003)  
Black Nylon

Bumper & Splash Shield  
Push-Type Retainer  
Head Diameter: 15mm  
Stem Length: 12mm  
Fits into 6.3mm Hole  
Acura TL 2008 - 04  
Honda Accord, CR-V, Insight  
& Pilot 2007 - 1997

UNIT PACKAGE: 15



**14260**

(Toyota: 90467-06017;  
Mazda: 9926-50-625;  
GM: 20426301)  
Black Nylon

Push-Type Retainer  
Head Diameter: 15mm  
Stem Length: 12mm  
Fits into 7mm Hole

UNIT PACKAGE: 15

## PUSH-TYPE RETAINERS



**20580**  
(MR478262)  
Black Nylon

Bumper Cover & Garnish Moulding  
Push-Type Retainer  
Top Head Diameter: 15mm  
Bottom Head Diameter: 14mm  
Stem Length: 12mm  
Fits into 7mm Hole

Chrysler Sebring & Stratus  
and Mitsubishi Eclipse 2000 - On

UNIT PACKAGE: 15



**19142**  
(91550-SH3-003)  
Black Nylon

Pillar Garnish, Side and  
Trunk Lining Push-Type Retainer  
Head Diameter: 15mm  
Stem Length: 13mm  
Fits into 7mm Square Hole  
Honda Civic, Accord Wagon  
& Del Sol 1993 - On

UNIT PACKAGE: 5



**17206**  
(90467-09145)  
Black Nylon

Bumper Cover Push-Type Retainer  
Head Diameter: 15mm  
Stem Length: 12mm (Excluding the Pin)  
Fits into 9mm Hole  
Toyota Camry 1992 - On

UNIT PACKAGE: 15



**20169**  
(W701971-S)  
White Nylon

Door Trim Panel Push-Type Retainer  
Head Diameter: 15mm  
Stem Length: 13mm  
Fits into 7mm Hole  
Lincoln LS 2000 - On

UNIT PACKAGE: 25



**20363**  
(Not Available from O.E.M.)  
White Nylon

Door Trim Panel  
Push-Type Retainer  
Top Head Diameter: 15mm  
Bottom Head Diameter: 20mm  
Stem Length: 12mm (Excluding the Pin)  
Fits into 9mm Hole  
Ford 2001 - On

UNIT PACKAGE: 25



**21620**  
(01553-06071)  
Black Nylon

Rear Duct Finishing Panel  
Push-Type Retainer  
Head Diameter: 15mm  
Stem Length: 14mm  
Fits into 5mm Hole  
Nissan Cube S, SL,  
Krom & Leaf 2012 - On

UNIT PACKAGE: 15



**17162**  
(GM: 96057846;  
Hyundai: 86155-22000  
Toyota: 90467-07041)  
Black Nylon

Push-Type Retainer  
Head Diameter: 15mm  
Stem Length: 13mm  
Fits into 6.3mm Hole  
Geo Metro & Tracker, Hyundai and Toyota 1989 - On

UNIT PACKAGE: 10



**21112**  
(94530438)  
Black Nylon

Fender Liner Push-Type Retainer  
Head Diameter: 15mm  
Stem Length: 14mm  
Fits into 6mm Hole  
Chevrolet Aveo 2004 - On

UNIT PACKAGE: 25



**19311**  
(90683-SA5-003)  
Black Nylon

Front Fender Skirt Push-Type Retainer  
Head Diameter: 15mm  
Stem Length: 13mm  
Fits into 6mm Hole  
Honda Prelude 1996 - 92

UNIT PACKAGE: 15



**21120**  
(90467-07192)  
Black Nylon

Cowl Vent Push-Type Retainer  
Head Diameter: 15mm  
Stem Length: 14mm  
Fits into 7mm Hole  
Toyota RAV 4 2002 - On

UNIT PACKAGE: 15

# PUSH-TYPE RETAINERS



**20234**

(BMW: 51-11-1-908-077;  
Mercedes: 00-990-54-92)  
Black Nylon

Scuff Plate Push-Type Retainer  
Head Diameter: 15mm  
Stem Length: 15mm  
Fits into 6.3mm Hole  
BMW Series 3, 5 & 7 1984 - On  
Mercedes 2014 - 1994

UNIT PACKAGE: 50



**21645**

(Not Available from O.E.M.)  
Black Nylon

Bumper & Wheel Opening  
Push-Type Retainer  
Head Diameter: 15mm  
Stem Length: 15mm  
Fits into 6.3mm Hole  
BMW 2004 - On

UNIT PACKAGE: 15



**11705**

(387843-S)  
Black Nylon

Fender Shield Retainer  
Head Diameter: 19/32" (15mm)  
Stem Length: 5/8" (16mm)  
Fits into 1/4" (6.4mm) Hole  
Ford 1978 - On

UNIT PACKAGE: 50



**21011**

(90467-07188)  
Black Nylon

Push-Type Retainer  
Head Diameter: 15mm  
Stem Length: 17mm  
Fits into 7mm Hole  
Toyota Camry, Tundra & 4-Runner  
2002 - On

UNIT PACKAGE: 15



**19801**

(21077123)  
Black Nylon

Wheel Opening Moulding  
Push-Type Retainer  
Head Diameter: 19/32" (15mm)  
Stem Length: 3/4" (19mm)  
Fits into 1/4" (6.4mm) Hole  
Saturn 1991 - On

UNIT PACKAGE: 25



**17222**

(GM: 21075686;  
Ford: F3LY-14570-B)  
Black Nylon

Rocker Panel, Wheel Liner &  
Air Inlet Duct Push-Type Retainer  
Head Diameter: 15mm  
Stem Length: 20mm  
Fits into 8mm Hole  
GM Saturn 2 Door & 4 Door Models 1991 - On  
Ford

UNIT PACKAGE: 25



**22347**

(GM: 11561878)  
Black Nylon

Bumper, Fender Liner, Cowl, Grille,  
Air Inlet Duct, Rocker Panel, Wheel Liner,  
Quarter Panel & Upper Deflector  
Push-Type Retainer with Sealer  
Head Diameter: 15mm  
Stem Length: 21mm  
Fits into 8mm Hole  
Various Buick, Cadillac Chevrolet,  
GMC, Hummer, Saab &  
Saturn Models 1991 - On

UNIT PACKAGE: 25



**14997**

(10053182)  
Black Nylon

Push-Type Retainer  
Head Diameter: 19/32" (15mm)  
Stem Length: 13/16" (20.6mm)  
Fits into 5/16" (8mm) Hole  
GM 1987 - On

UNIT PACKAGE: 25



**17103**

(GM: 15681408;  
Ford: N803709S)  
Black Nylon

Fascia Retainer  
Head Diameter: 15mm  
Stem Length: 23mm  
Fits into 6mm Hole  
GM & Ford 1986 - On

UNIT PACKAGE: 50



**14992**

(Ford: N803946S;  
Chrysler: 6502871)  
Black Nylon

Push-Type Retainer  
Head Diameter: 19/32" (15mm)  
Stem Length: 29/32" (23mm)  
Fits into 1/4" (6.4mm) Hole  
Ford & Chrysler 1987 - On

UNIT PACKAGE: 50

# PUSH-TYPE RETAINERS



**19511**

(W704958-S300)  
White Nylon

Rear Door Lower Trim Panel  
Push-Type Retainer  
Round Head Diameter: 19/32" (15mm)  
Wedge Shaped Head  
Diameter: 29/32" (23mm)  
Stem Length: 11/16" (17.5mm)  
Fits into 3/8" (9.5mm)  
Lincoln Town Car 1998 - On

UNIT PACKAGE: 25



**17439**

(90467-09093)  
Black Nylon

Bumper Cover  
Push-Type Retainer  
Head Diameter: 15mm  
Stem Length: 27mm  
Fits into 9mm Hole  
Lexus LS-400

UNIT PACKAGE: 10



**19219**

(90467-09096)  
Black Nylon

Front Bumper Push-Type Retainer  
Head Diameter: 15mm  
Stem Length: 27mm  
Fits into 9mm Hole  
Lexus LS400 and Toyota Celica &  
Supra 1989 - On

UNIT PACKAGE: 10



**17226**

(10207146, 21077323)  
Black Nylon

Rear Door Rocker  
Panel to Underbody Bracket  
Push-Type Retainer  
Head Diameter: 15mm  
Stem Length: 29mm  
Fits into 8mm Hole  
GM Saturn 4 Door Models 1991 - On

UNIT PACKAGE: 25



**19552**

(90467-07146)  
Black Nylon

Cowl Panel &  
Luggage Compartment Retainer  
Head Diameter: 16mm  
Stem Length: 9mm  
Fits into 7mm Hole

Toyota Avalon, Camry, Celica & Solara 1993 - On

UNIT PACKAGE: 15



**21969**

(Peugeot & Citroen: 8748.C2)  
Charcoal Gray Nylon

Push-Type Retainer  
Head Diameter: 16mm  
Stem Length: 10mm  
Fits into 6mm Hole  
Peugeot & Citroen

UNIT PACKAGE: 25



**21624**

(90467-10206)  
Black Nylon

Cowl Push-Type Retainer  
Head Diameter: 16mm  
Stem Length: 10mm  
Fits into 8mm Hole  
Lexus ES 350, RX350 & RX 450H and Toyota Camry,  
Sequoia, Tundra & Yaris 2006 - On

UNIT PACKAGE: 15



**22083**

(Suzuki: 09409-08327)  
Black Nylon

Front Lights, Cowl &  
Rear Bumper Push-Type Retainer  
Head Diameter: 16mm  
Stem Length: 10mm  
Fits into 8mm Hole  
Suzuki Kizashi, SX4 & XL7 2013 - 02

UNIT PACKAGE: 15



**19243**

(GM: 30008324; Suzuki: 09409-07325)  
Black Nylon

Push-Type Retainer  
Head Diameter: 16mm  
Stem Length: 10mm (Excluding the Pin)  
Fits into 9mm Hole  
Front & Rear Bumper Fascia  
Geo Metro 1989 - On  
Radiator Grille  
Suzuki Esteem 1995 - On

UNIT PACKAGE: 15



**21570**

(909140012)  
Black Nylon

Rear Light Reflector & Roof Spoiler  
Push-Type Retainer  
Head Diameter: 16mm  
Stem Length: 11mm  
Fits into 6mm Hole  
Subaru B9 Tribeca, Impreza,  
Legacy & Outback 2005 - On

UNIT PACKAGE: 25

# PUSH-TYPE RETAINERS



**21044**

(123-990-05-92, 126-990-03-92)  
Black Nylon

Cowl Screen Cover  
Push-Type Retainer  
Head Diameter: 16mm  
Stem Length: 11mm  
Fits into 6.3mm Hole

Mercedes-Benz E, CL & S Class 2000 - On

UNIT PACKAGE: 15



**20310**

(383142-S)  
Black Nylon

Grille to Headlight Bracket  
Push-Type Retainer  
Head Diameter: 5/8" (16mm)  
Stem Length: 7/16" (11mm)  
Fits into 1/4" (6.4mm) Hole

Ford

UNIT PACKAGE: 50



**21859**

(Mercedes-Benz: 000-990-29-92,  
000-990-60-92; 001-990-16-92,  
114-990-01-92; Opel: 1104882, 1719245;  
Volvo: 9133417, 1268642)  
Black Nylon

Push-Type Retainer  
Head Diameter: 16mm  
Stem Length: 11mm  
Fits into 8mm Hole

Mercedes-Benz, Opel & Volvo 1985 - On

UNIT PACKAGE: 15



**22234**

(Ford European: 1257376)  
Black Nylon

Door Trim Panel Push-Type  
Retainer with Sealer  
Top Head Diameter: 16mm  
Bottom Head Diameter: 18mm  
Stem Length: 11mm  
Fits into 8mm Hole

Ford Focus & Focus C-Max 2010 - 1998

UNIT PACKAGE: 15



**19306**

(GA5R-56-392)  
Black Nylon

Shroud Seal Board Push-Type Retainer  
Head Diameter: 16mm  
Stem Length: 12mm  
Fits into 6mm Hole

Mazda 626 1994 - On

UNIT PACKAGE: 10



**19297**

(21035345)  
Black Nylon

Liftgate Upper Window & Lower Garnish  
Moulding Push-Type Retainer  
Head Diameter: 16mm  
Stem Length: 12mm (Excluding the Pin)  
Fits into 7mm Hole

GM Saturn 1998 - 93

UNIT PACKAGE: 15



**19195**

(161-867-299-01C)  
Black Nylon

Push-Type Retainer  
Head Diameter: 16mm  
Stem Length: 12mm  
Fits into 8mm Hole

VW Golf & Jetta 1997 - 93

UNIT PACKAGE: 25



**19607**

(XL3Z-17E971-AA)  
Natural Nylon

Front Bumper Cover Push-Type Retainer  
Head Diameter: 16mm  
Stem Length: 12mm  
Fits into 10mm Hole

Ford F150 & F250 Trucks 1999 - On

UNIT PACKAGE: 25



**21566**

(91085TA030)  
Black Nylon

Push-Type Retainer  
Head Diameter: 16mm  
Stem Length: 13mm  
Fits into 7mm Hole

Subaru Baja, Impreza,  
Legacy & Outback 2000 - On

UNIT PACKAGE: 25



**22177**

(Chrysler: 6510766-AA)  
Yellow & White Nylon

Door Panel Push-Type  
Retainer with Sealer  
Top Head Diameter: 16mm  
Middle Head Diameter: 18mm  
Bottom Head Diameter: 22mm  
Stem Length: 13mm  
Fits into 9mm Hole

Chrysler 300, Dodge Charger &  
Jeep Cherokee 2014 - On

UNIT PACKAGE: 15

## PUSH-TYPE RETAINERS



**21601**

(06509673AA)

White Nylon with Black Rubber Seal

Push-Type Retainer  
 Top Head Diameter: 16mm  
 Middle Head Diameter: 18mm  
 Bottom Head Diameter: 22mm  
 Stem Length: 16mm  
 Fits into 9mm Hole

Chrysler 300 & Magnum and Jeep Grand Cherokee & Wrangler 2011 - On

UNIT PACKAGE: 15



**15522**

(N805231S)

Black Nylon

Push-Type Retainer  
 Head Diameter: 5/8" (16mm)  
 Stem Length: 17/32" (13.5mm)  
 Fits into 1/4" (6.4mm) Hole

Ford Taurus, Topaz & Sable 1989 - On

UNIT PACKAGE: 50



**19248**

(1268176-3)

Black Nylon

Bumper Cover Push-Type Retainer  
 Head Diameter: 16mm  
 Stem Length: 14mm  
 Fits into 6mm Hole

Volvo 740 & 760 1993 - On

UNIT PACKAGE: 15



**21190**

(91550-S50-000ZL)

Black Nylon

Interior Trim Push-Type Retainer  
 Head Diameter: 16mm  
 Stem Length: 14mm  
 Fits into 7mm Hole

Honda Civic, CR-V Element & Insight 2000 - On

UNIT PACKAGE: 15



**21477**

(91550-S50-000ZK)

Gray Nylon

Push-Type Retainer  
 Head Diameter: 16mm  
 Stem Length: 14mm  
 Fits into 7mm Hole

Honda Civic, CR-V Element & Insight 2000 - On

UNIT PACKAGE: 15



**21325**

(90080-46294)

Black Nylon

Turn Signal Light & General Purpose Push-Type Retainer  
 Head Diameter: 16mm  
 Stem Length: 14mm  
 Fits into 7mm Hole

Toyota Tundra 2003 - On

UNIT PACKAGE: 10



**19904**

(9133417-7)

Black Nylon

Rocker Panel Push-Type Retainer  
 Head Diameter: 16mm  
 Stem Length: 14mm  
 Fits into 9mm Hole

Volvo 850 Series 1994 - On

UNIT PACKAGE: 15



**21971**

(Peugeot & Citroen: 6973.34)

Black Nylon

Push-Type Retainer  
 Head Diameter: 16mm  
 Stem Length: 14mm  
 Fits into 9mm Hole

Peugeot & Citroen

UNIT PACKAGE: 25



**20909**

(124-990-04-92)

Black Nylon

Push-Type Retainer  
 Head Diameter: 16mm  
 Stem Length: 18mm  
 Fits into 7mm Hole

Mercedes-Benz 2003 - On

UNIT PACKAGE: 15



**18265**

(76882-57A00)

Black Nylon

Body Side Moulding Push-Type Retainer  
 Head Diameter: 16mm  
 Stem Length: 20mm  
 Fits into 8mm Hole

Nissan Sentra 1986 - On

UNIT PACKAGE: 25

# PUSH-TYPE RETAINERS



**20352**

(Honda: 91561-S84-A00-M1,  
91561-S84-A21ZB)  
Black Nylon

Rear Panel Assembly Push-Type Retainer  
Head Diameter: 16mm  
Stem Length: 21mm  
Fits into 8mm Hole  
Honda Accord & Civic 2007 - 01  
Fit 2014 - 09

UNIT PACKAGE: 10



**18165**

(91508-SR3-000)  
Black Nylon

Cowl Panel  
Push-Type Retainer  
Head Diameter: 17mm  
Stem Length: 9mm  
Fits into 8mm Hole  
Honda 1990 - On

UNIT PACKAGE: 10



**20542**

(15994165)  
Black Nylon

Bumper & Rear Wheel Apron  
Push-Type Retainer  
Head Diameter: 16.5mm  
Stem Length: 27mm  
Fits into 8mm Hole  
Saturn L Series 2000 - On

UNIT PACKAGE: 25



**17351**

(MB-253964)  
Black Nylon

Front & Rear Bumper Push-Type Retainer  
Head Diameter: 17mm  
Stem Length: 10mm  
Fits into 7mm Hole  
Mitsubishi Tredia 1988 - 83

UNIT PACKAGE: 10



**14011**

(14019226, 14071289)  
Black Nylon

Radiator Overflow Bottle/Windshield  
Washer Bottle Retainer  
Head Diameter: 21/32" (16.7mm)  
Stem Length: 9/16" (14.3mm)  
Fits into 5/16" (8mm) Hole  
GM 1981 - On

UNIT PACKAGE: 25



**20910**

(91505-ST7-003ZA)  
Black Nylon

Door Panel Push-Type Retainer  
Head Diameter: 17mm  
Stem Length: 12mm  
Fits into 8mm Hole  
Honda CR-V and S2000 2000 - On

UNIT PACKAGE: 10



**14001**

(14039420)  
Black Nylon

Push-Type Retainer  
Head Diameter: 21/32" (16.7mm)  
Stem Length: 19/32" (15mm)  
Fits into 5/16" (8mm) Hole  
GM (Including Saturn)

UNIT PACKAGE: 25



**19232**

(91502-SZ5-003)  
Black Nylon

Front Fender  
Push-Type Retainer  
Head Diameter: 17mm  
Stem Length: 13mm  
Fits into 7mm Hole  
Acura 3.5 RL Sedan 1996 - On

UNIT PACKAGE: 10



**18270**

(90467-07117)  
Black Nylon

Push-Type Retainer  
Head Diameter: 17mm  
Stem Length: 9mm  
Fits into 7mm Hole  
Lexus 1990 - On

UNIT PACKAGE: 10



**19547**

(91508-S50-003)  
Black Nylon

Cowl Top Retainer  
Head Diameter: 17mm  
Stem Length: 13mm (Excluding the Pin)  
Fits into 9mm Hole  
Honda Accord & Odyssey 1998 - On

UNIT PACKAGE: 5



## PUSH-TYPE RETAINERS



**15672**  
(8880417)  
Black Nylon

Push-Type Retainer  
Head Diameter: 17mm  
Stem Length: 14mm  
Fits into 8mm (5/16") Hole  
Chrysler 1987 - On

UNIT PACKAGE: 25



**13457**  
(20451119)  
Black Nylon

Front Compartment Spare Tire Retainer  
Head Diameter: 43/64" (17mm)  
Stem Length: 23/32" (18.3mm)  
Fits into 5/16" (8mm) Hole  
GM

UNIT PACKAGE: 10



**19546**  
(91570-SK7-003ZF)  
Black Nylon

Tailgate Lining Retainer  
Head Diameter: 17mm  
Stem Length: 16mm  
Fits into 7mm Square Hole  
Honda Prelude 1997 - On

UNIT PACKAGE: 10



**21898**  
(Renault & Dacia: 77-03-072-352)  
Black Nylon

Push-Type Retainer  
Head Diameter: 17.5mm  
Stem Length: 9mm  
Fits into 6mm Hole  
Renault & Dacia

UNIT PACKAGE: 10



**19639**  
(GM: 15149708;  
Chrysler: 6506008AA)  
Black Nylon

Radiator Wheelhouse, Fender &  
Front Bumper Cover Push-Type Retainer  
Head Diameter: 17mm  
Stem Length: 16mm  
Fits into 6mm Hole  
GM C & K Trucks 1999 - On  
Jeep Liberty 2002 - On

UNIT PACKAGE: 25



**11704**  
(6031383)  
Black Nylon

Grille Retainer  
Head Diameter: 11/16" (17.5mm)  
Stem Length: 7/16" (11mm)  
Fits into 9/32" (7.1mm) Hole  
Chrysler 1978 - On

UNIT PACKAGE: 25



**16624**  
(1636632, 20687704)  
Black Nylon

Front Bumper Fascia  
Push-Type Retainer  
Head Diameter: 17mm  
Shoulder Length: 2mm  
Stem Length: 18mm  
Fits into 9.5mm (3/8") Hole  
Buick Riviera/Reatta 1988 - On

UNIT PACKAGE: 25



**18893**  
(N806322-S)  
Black Nylon

Trim Panel Push-Type Retainer  
Head Diameter: 11/16" (17.5mm)  
Stem Length: 1/2" (12.7mm)  
Fits into 1/4" (6.4mm) Hole  
Ford

UNIT PACKAGE: 15



**14726**  
(63844-01A99)  
Black Nylon

Push-Type Retainer  
Head Diameter: 17mm  
Stem Length: 18mm  
Fits into 8mm Hole  
Nissan

UNIT PACKAGE: 25



**12567**  
(GM: 14019205, 14019206, 16514113;  
Chrysler: 34201621, 6504090)  
Black Nylon

Front Fender Mud Skirt  
& Fender Liner Push-Type Retainer  
Head Diameter: 11/16" (17.5mm)  
Stem Length: 9/16" (14.3mm)  
Fits into 1/4" (6.4mm) Hole  
GM 1981 - On

UNIT PACKAGE: 25

**14007**

Same as 12567 except unit package quantity

UNIT PACKAGE: 50

## PUSH-TYPE RETAINERS



**11699**

(GM: 472434; Chrysler: 6031390)  
Black Nylon

Cowl Ledge Weatherstrip  
& Fender Liner Push-Type Retainer  
Head Diameter: 11/16" (17.5mm)  
Stem Length: 5/8" (16mm)  
Fits into 1/4" (6.4mm)  
GM 1970 - On  
Chrysler 1968 - On

UNIT PACKAGE: 50



**18327**

(6503454)  
Black Nylon

Front Bumper Fascia  
Push-Type Retainer  
Head Diameter: 11/16" (17.5mm)  
Stem Length: 5/8" (16mm)  
Fits into 1/4" (6.4mm) Hole  
Jeep Grand Cherokee 1994 - On

UNIT PACKAGE: 25



**14991**

(GM: 10139822, 25680782;  
Ford: N808147S)  
Black Nylon

Push-Type Retainer  
Head Diameter: 11/16" (17.5mm)  
Stem Length: 11/16" (17.5mm)  
Fits into 1/4" (6.4mm) Hole  
GM & Ford 1987 - On

UNIT PACKAGE: 25



**18894**

(N807578-S, N808332-S)  
Black Nylon

Trim Panel  
Push-Type Retainer  
Head Diameter: 11/16" (17.5mm)  
Stem Length: 3/4" (19mm)  
Fits into 1/4" (6.4mm) Hole  
Ford

UNIT PACKAGE: 15



**18030**

(Chrysler: 6501925;  
GM: 10134407)  
Black Nylon

Push-Type Retainer  
Head Diameter: 11/16" (17.5mm)  
Stem Length: 13/16" (20.6mm)  
Fits into 1/4" (6.4mm) Hole  
Chrysler Concorde & LHS  
Dodge Intrepid & Eagle Vision 1993 - On  
Coolant Recovery Reservoir  
GM 1992 - On

UNIT PACKAGE: 25



**13993**

(GM: 20510029; Ford: N803362-S;  
Chrysler: 34202672)  
Black Nylon

Body Retainer  
Head Diameter: 11/16" (17.5mm)  
Stem Length: 7/8" (22mm)  
Fits into 1/4" (6.4mm) Hole  
GM 1984 - On and Ford 1984 - On

UNIT PACKAGE: 25



**14753**

(GM: 15773445, 20452072, 20664092;  
Ford N804570S; Chrysler: 4638136)  
Black Nylon

Radiator Shroud & Trim Retainer  
Head Diameter: 11/16" (17.5mm)  
Stem Length: 7/8" (22mm)  
Fits into 1/4" (6.4mm) Hole  
GM 1982 - On  
Ford 1986 - On  
Chrysler 1998 - On

UNIT PACKAGE: 25



**14993**

(22538004)  
Black Nylon

Push-Type Retainer  
Head Diameter: 11/16" (17.5mm)  
Stem Length: 7/8" (22mm)  
Fits into 1/4" (6.4mm) Hole  
GM 1987 - On

UNIT PACKAGE: 25



**13996**

(20452072, 20590899)  
Black Nylon

Exterior Body Retainer  
Head Diameter: 11/16" (17.5mm)  
Stem Length: 7/8" (22mm)  
Fits into 9/32" (7.1mm) Hole  
GM 1984 - On

UNIT PACKAGE: 25



**18895**

(N807577-S, N808331-S)  
Black Nylon

Trim Panel Push-Type Retainer  
Head Diameter: 11/16" (17.5mm)  
Stem Length: 1-3/32" (28mm)  
Fits into 1/4" (6.4mm) Hole  
Ford Aerostar & Windstar

UNIT PACKAGE: 15

## PUSH-TYPE RETAINERS



**20335**  
(53879-60010)  
Black Nylon

Fender Liner Push-Type Retainer  
Head Diameter: 18mm  
Stem Length: 7mm  
Fits into 7mm Hole  
Toyota Land Cruiser & RAV 4 1998 - On  
UNIT PACKAGE: 15



**21024**  
(5R3Z-54310D12-AAA)  
Black Nylon

Trim Panel  
Push-Type Retainer  
Head Diameter: 18mm  
Stem Length: 10mm  
Fits into 6mm Hole  
Ford Mustang 2005 - On  
UNIT PACKAGE: 15



**20869**  
(GM: 88970767; Toyota: 90467-10183)  
Black Nylon

Front Fender Liner Push-Type Retainer  
Head Diameter: 18mm  
Stem Length: 7.5mm  
Fits into 7mm Hole  
Toyota Celica, Corolla, Matrix & Solara,  
Lexus and Pontiac Vibe 1999 - On  
UNIT PACKAGE: 10



**21530**  
(Subaru: 909130067;  
Hyundai: 86590-3S000)  
Black Nylon

Engine Cover and Fender Liner  
Push-Type Retainer  
Head Diameter: 18mm  
Stem Length: 10mm  
Fits into 8mm Hole  
B9 Tribeca, Forester, Legacy &  
Outback & Tribeca. 2005 - On  
Hyundai Azera, Elantra, Genesis & Sonata and  
Kia Cadenza & Optima 2011 - On  
UNIT PACKAGE: 15



**19490**  
(90467-06150)  
Black Nylon

Back Garnish Trim Panel  
Push-Type Retainer  
Head Diameter: 18mm  
Stem Length: 8mm  
Fits into 6mm Hole  
Toyota Tacoma 1995 - On  
UNIT PACKAGE: 10



**22181**  
(Subaru: 909140065)  
Black Nylon

Front Fender Liner, Engine Cover,  
Hood & Quarter Panel Push-Type Retainer  
Head Diameter: 18mm  
Stem Length: 10mm  
Fits into 8mm Hole  
Subaru BRZ, Crosstrek, Forester, Impreza,  
Legacy, Outback & WRX 2008 - On  
UNIT PACKAGE: 15



**20465**  
(UB39-45-919)  
Black Nylon

Front & Rear Fender  
Push-Type Retainer  
Head Diameter: 18mm  
Stem Length: 9mm  
Fits into 8mm Hole  
Mazda 626 2000 - On  
UNIT PACKAGE: 10



**21680**  
(Chrysler: 6509960AA)  
Black Nylon

Bumper Push-Type Retainer  
Head Diameter: 18mm  
Stem Length: 10mm  
Fits into 8mm Hole  
Chrysler 300 2011 - On  
UNIT PACKAGE: 25



**22077**  
(Mitsubishi: MB879499)  
Black Nylon

Front Bumper Push-Type Retainer  
Head Diameter: 18mm  
Stem Length: 9mm  
Fits into 9mm Hole  
Mitsubishi Montero 2006 - 01  
UNIT PACKAGE: 25



**19747**  
(UB39-50-795)  
Black Nylon

Stone Guard Push-Type Retainer  
Head Diameter: 18mm  
Stem Length: 10mm  
Fits into 8mm Hole  
Mazda MPV 1998 - On  
UNIT PACKAGE: 10

## PUSH-TYPE RETAINERS



**21547**

(90467-09185)  
Black Nylon

Front Spoiler & Grille  
Push-Type Retainer  
Head Diameter: 18mm  
Stem Length: 10mm  
Fits into 9mm Hole  
Lexus HS 250h and Toyota Celica,  
Sequoia, Sienna & 4-Runner 1994 - On

UNIT PACKAGE: 25



**21703**

Ford: W716510-S300)  
Black Nylon

Lower Radiator Shield  
Push-Type Retainer  
Head Diameter: 18mm  
Stem Length: 12mm  
Fits into 7mm Hole  
Ford Fusion 2013 - On

UNIT PACKAGE: 10



**14698**

(90688-SB0-003)  
Black Nylon

Push-Type Retainer  
Head Diameter: 18mm  
Stem Length: 11mm  
Fits into 6mm Hole  
Acura & Honda

UNIT PACKAGE: 25



**17632**

(Mazda: B092-51-833;  
Ford: MB-455-56143)  
Black Nylon

Push-Type Retainer  
Head Diameter: 18mm  
Stem Length: 12mm  
Fits into 8mm Hole  
Mazda & Ford Aspire

UNIT PACKAGE: 10



**16784**

(Nissan: 80999-05N07;  
Toyota: 90467-07043)  
Black Nylon

Push-Type Retainer  
Head Diameter: 18mm  
Stem Length: 11mm (Excluding the Pin)  
Fits into 7mm Hole

UNIT PACKAGE: 25



**21146**

(0G032-50037-A)  
Black Nylon

Bumper, Fender, Grille, Interior & Exterior  
Trim and Pillar Push-Type Retainer  
Head Diameter: 18mm  
Stem Length: 12mm  
Fits into 8mm Hole  
Kia Amanti, Magentis, Optima, Rio, Sedona, Sephia,  
Sorento, Spectra & Sportage 2000 - On

UNIT PACKAGE: 15



**17081**

(91524-SE0-003)  
Black Nylon

Cowl Push-Type Retainer  
Head Diameter: 18mm  
Stem Length: 12mm  
Fits into 6mm Hole  
Honda Accord 1986 - On

UNIT PACKAGE: 25



**21311**

(01553-0038U)  
Gray Nylon

Bumper Push-Type Retainer  
Head Diameter: 18mm  
Stem Length: 12mm  
Fits into 8mm Hole  
Nissan Frontier, Pathfinder & Xterra  
2005 - On

UNIT PACKAGE: 10



**18206**

(GJ21-68885-B69)  
Gray Nylon

Push-Type Retainer  
Head Diameter: 18mm  
Stem Length: 12mm  
Fits into 6mm Hole  
Ford Probe & MX6 1989 - On

UNIT PACKAGE: 25



**20349**

(01553-09611)  
Black Nylon

Bumper Clip  
Push-Type Retainer  
Head Diameter: 18mm  
Stem Length: 12mm  
Fits into 8mm Hole  
Nissan Maxima 1994 - On

UNIT PACKAGE: 15

# PUSH-TYPE RETAINERS



**21110**  
(B100-68-8550)  
Black Nylon

Rear Light Access Door  
Push-Type Retainer  
Head Diameter: 18mm  
Stem Length: 12mm  
Fits into 8.5mm Hole  
Mazda 323 1986 - On

UNIT PACKAGE: 15



**21141**  
(91561-SJD-003)  
Black & White Nylon

Pillar, Rocker Panel & Floor Retainer  
Top Head Diameter: 15mm  
Middle Head Diameter: 16mm  
Bottom Head Diameter: 18mm  
Stem Length: 13mm  
Fits into 8mm Hole  
Honda Civic & Pilot 2004 - On

UNIT PACKAGE: 10



**20247**  
(Mitsubishi: MR200300)  
Black Nylon

Fender & Bumper Push-Type Retainer  
Head Diameter: 18mm  
Stem Length: 12mm  
Fits into 9mm Hole  
Honda & Mitsubishi 1998 - On

UNIT PACKAGE: 15



**21858**  
(Mazda: B467-68-AC3-02)  
Black Nylon

Rear Trunk Liner Push-Type Retainer  
Head Diameter: 18mm  
Stem Length: 14mm  
Fits into 6mm Hole  
5, CX-7, CX-9, Miata, Millenia, MX-6,  
RX-7 & Protégé 1993 - On

UNIT PACKAGE: 25



**21702**  
(Toyota: 90467-10170-C0)  
Black Nylon

Cowl Vent, Upper Radiator Cover &  
Wheel Apron Push-Type Retainer  
Head Diameter: 18mm  
Stem Length: 12mm  
Fits into 10mm Hole  
Lexus LS 460, LS 600, RX 350  
& RX 450 and Toyota RAV4 2006 - On

UNIT PACKAGE: 10



**21225**  
(53888-48010)  
Black Nylon

Wheel Opening Push-Type Retainer  
Head Diameter: 18mm  
Stem Length: 14mm  
Fits into 7mm Hole  
Toyota Highlander 2001 - On

UNIT PACKAGE: 5



**20365**  
(10301966, 10425306)  
Black Nylon

Cowl Vent Push-Type Retainer  
Head Diameter: 18mm  
Stem Length: 13mm  
Fits into 7.5mm Square Hole  
Pontiac Aztek 2001 - On

UNIT PACKAGE: 10



**17192**  
(91508-SM4-003)  
Black Nylon

Cowl Panel Push-Type Retainer  
Head Diameter: 18mm  
Stem Length: 14mm  
Fits into 8mm Hole  
Honda Accord 1990 - On

UNIT PACKAGE: 10



**21807**  
(Renault: 77-03-072-360)  
Black Nylon

Push-Type Retainer  
Head Diameter: 18mm  
Stem Length: 14mm  
Fits into 8mm Hole  
Renault and Dacia

UNIT PACKAGE: 25



**22253**  
(Hyundai: 86595-2T500)  
Black Nylon

Fender Liner Push-Type Retainer  
Head Diameter: 18mm  
Stem Length: 14mm  
Fits into 8mm Hole  
Hyundai Equus, Genesis, Santa Fe &  
Sonata and Kia K900, Optima & Sedona  
2013 - On

UNIT PACKAGE: 15

## PUSH-TYPE RETAINERS



**19453**  
(90505-SX0-003)  
Black Nylon  
Garnish Side Protector  
Push-Type Retainer  
Head Diameter: 18mm  
Stem Length 15mm  
(Excluding the Pin)  
Fits into 8mm Hole  
Honda Odyssey 1995 - On

UNIT PACKAGE: 15



**19416**  
(Toyota: 90467-09139)  
Black Nylon  
Bumper Cover & Wheel Housing  
Push-Type Retainer  
Head Diameter: 18mm  
Stem Length: 15mm  
Fits into 9mm Hole  
Honda, Mazda 626 & Toyota Corolla 1992 - On

UNIT PACKAGE: 15



**19246**  
(01553-09241)  
Black Nylon  
Bumper Push-Type Retainer  
Head Diameter: 18mm  
Stem Length: 15mm  
Fits into 10mm Hole  
Nissan 240SX & Maxima 1994 - On

UNIT PACKAGE: 15



**19231**  
(91505-SL0-003)  
Black Nylon  
Push-Type Retainer  
Head Diameter: 18mm  
Stem Length: 12mm  
Fits into 8mm Hole  
Acura NSX 1991 - On

UNIT PACKAGE: 15



**20988**  
(GM: 11589289;  
Chrysler: 6508863-AA)  
Black Nylon  
Air Distributor & Windshield Defroster  
Push-Type Retainer  
Head Diameter: 18mm  
Stem Length: 17.5mm  
Panel Range: 2.0mm - 4.5mm  
Fits into 6.5mm Hole  
Buick Enclave, Chevrolet Equinox,  
Chevrolet & GMC S & T Trucks, GMC  
Acadia and Pontiac Torrent 2002 - On

UNIT PACKAGE: 25



**16726**  
(N808048S, W705532-S300)  
Black Nylon  
Front Bumper Stone Deflector Retainer  
Head Diameter: 18mm  
Stem Length: 18mm  
Fits into 6.3mm (1/4") Square Hole  
Ford Bronco, Ranger & Explorer 1989 - On

UNIT PACKAGE: 25



**20545**  
(N811283-S)  
Black Nylon & Santoprene Rubber  
Trim Panel Push-Type Retainer  
Head Diameter: 18mm  
Stem Length: 18mm  
Fits into 6.3mm Hole  
Ford Expedition & Navigator 1997 - On

UNIT PACKAGE: 25



**21098**  
(Chrysler: 6508197-AA;  
Ford: W706092-S300)  
Black Nylon  
Front Air Shield, Splash Guard &  
Heat Shield Push-Type Retainer  
Head Diameter: 18mm  
Stem Length: 18mm  
Fits into 6.4mm Hole  
Dodge Ram 2006 - On  
Ford Taurus 2008 - On

UNIT PACKAGE: 25



**22354**  
(Chrysler: 6510139-AA)  
Black Nylon  
Exterior Trim,  
Floor, Pillar &  
Quarter Panel Push-Type Retainer  
Head Diameter: 18mm  
Stem Length: 18mm  
Fits into 7mm Hole  
Dodge Challenger & Charger 2011 - On

UNIT PACKAGE: 25



**21089**  
(W710250-S300)  
Black Nylon  
Rear Bumper Push-Type Retainer  
Head Diameter: 18mm  
Stem Length: 18mm  
Fits into 8mm Hole  
Ford Edge 2007 - On

UNIT PACKAGE: 25

# PUSH-TYPE RETAINERS



**20367**  
(W706713-S300)  
Black Nylon

Bumper Cover  
Push-Type Retainer  
Head Diameter: 18mm  
Stem Length: 18mm  
Fits into 8mm Hole  
Ford Escape 2001 - On

UNIT PACKAGE: 25



**19849**  
(Not Available from O.E.M.)  
Black Nylon & Santoprene Rubber

Bumper Push-Type Retainer  
Head Diameter: 18mm  
Stem Length: 18mm  
Fits into 8mm Hole  
Ford Taurus & Sable 2000 - On

UNIT PACKAGE: 25



**21876**  
(Renault & Dacia: 05-40-000-1R;  
Nissan: 01515-00Q0C)  
Black Nylon

Bumper Push-Type Retainer  
Head Diameter: 18mm  
Stem Length: 18mm  
Fits into 9mm Hole  
Renault, Dacia & Nissan

UNIT PACKAGE: 15



**21123**  
(75867-30120)  
Black Nylon

Rocker Moulding Push-Type Retainer  
Head Diameter: 18mm  
Stem Length: 19mm  
Fits into 8mm Hole  
Lexus GS350, GS430, GS460 & LS460  
and Toyota Camry 2007 - On

UNIT PACKAGE: 15



**21672**  
(11611110)  
Black Nylon

Cowl Vent Push-Type  
Retainer with Sealer  
Head Diameter: 18mm  
Stem Length: 20mm  
Fits into 6.3mm Hole  
Buick Allure & LaCrosse and  
Chevrolet Volt 2010 - On

UNIT PACKAGE: 15



**20880**  
(GM:11589290; Chry.: 6509049AA)  
Black Nylon

Air Inlet Grille, Bumper Fascia &  
Front Brake Caliper Cooling Duct  
Push-Type Retainer  
Head Diameter: 18mm  
Stem Length: 20mm  
Panel Range: 4.5mm - 7.0mm  
Fits into 6.5mm Hole

Buick Enclave, Cadillac, CTS & STS,  
Chevrolet Cobalt, Equinox & SSR, GM Trucks and  
Pontiac G5 & Torrent 2002 - On  
Chrysler Charger & 300 2011 - On

UNIT PACKAGE: 50



**22227**  
(Ford: W718088-S300)  
Black Nylon

Fender Apron  
Push-Type Retainer  
Head Diameter: 18mm  
Stem Length: 20mm  
Fits into 7mm Hole  
Ford Fusion 2015 - On

UNIT PACKAGE: 25



**20966**  
(5160260-AA)  
Black Nylon

Rear Bumper, Tail Light &  
Fender Push-Type Retainer  
Bottom Head Diameter: 18mm  
Stem Length: 20mm  
Fits into 8mm Hole  
Dodge Caliber and Jeep  
Compass & Patriot 2007 - On

UNIT PACKAGE: 15



**20613**  
(63848-40Y00)  
Black Nylon

Front Bumper Push-Type Retainer  
Head Diameter: 18mm  
Stem Length: 20mm  
Fits into 9mm Hole  
Nissan Frontier & Xterra 1998 - On

UNIT PACKAGE: 15



**22049**  
(Mazda: B27K-51-PS7)  
Black Nylon

Headlight Bracket Push-Type Retainer  
Head Diameter: 18mm  
Stem Length: 20mm  
Fits into 9mm Hole  
Mazda 3, CX-7, CX-9, Miata, MPV & RX-8  
2000 - On

UNIT PACKAGE: 15

## PUSH-TYPE RETAINERS



**20888**

(GM: 11561368;  
Chrysler: 6508712AA)  
Black Nylon

Fender, Wheel & Bumper  
Push-Type Retainer  
Head Diameter: 18mm  
Stem Length: 20mm  
Panel Range: 3.0mm - 5.8mm  
Fits into 9.5mm Hole  
Chevrolet Impala & Monte Carlo and  
Pontiac Grand Prix & Solstice 2004 - On  
Jeep Wrangler 2000 - On

UNIT PACKAGE: 25



**17057**

(90505-SM4-003)  
Black Nylon

Push-Type Retainer  
Head Diameter: 18mm  
Stem Length: 21mm  
Fits into 8mm Hole  
Honda Accord 1990 - On

UNIT PACKAGE: 10



**20989**

(GM: 11589291;  
Ford: W713331-S300)  
Black Nylon

Air Dam & Grille Push-Type Retainer  
Head Diameter: 18mm  
Stem Length: 22mm  
Panel Range: 7.0mm - 9.5mm  
Fits into 6.5mm Hole  
Cadillac CTS, SRX, and STS 2003 - On

UNIT PACKAGE: 25



**21529**

(95230842)  
Black Nylon

Cowl Vent Push-Type  
Retainer with Sealer  
Head Diameter: 18mm  
Stem Length: 22mm  
Fits into 6.5mm Hole  
Chevrolet Cruze 2011 - On

UNIT PACKAGE: 15



**20327**

(63848-9E001)  
Black Nylon

Bumper Fascia Push-Type Retainer  
Head Diameter: 18mm  
Stem Length: 22mm  
Fits into 9mm Hole  
Nissan Altima 1997 - On

UNIT PACKAGE: 10



**14018**

(N803716-S)  
Black Nylon

Fascia Retainer  
Head Diameter: 18mm  
Stem Length: 23mm  
Fits into 7mm Hole  
Ford Mustang/Capri 1985 - On

UNIT PACKAGE: 25



**22219**

(GM: 92138636)  
Black Nylon

Air Baffle Push-Type Retainer  
Head Diameter: 18mm  
Stem Length: 23mm  
Fits into 7.5mm Hole  
Chevrolet Caprice 2013 - 2012  
Pontiac G8 and GTO 2009 - 2004

UNIT PACKAGE: 25



**18939**

(90467-09101)  
Black Nylon

Bumper Cover  
Push-Type Retainer  
Head Diameter: 18mm  
Stem Length: 23mm  
Fits into 9mm Hole  
Lexus ES300 1993 - On

UNIT PACKAGE: 25



**16622**

(10157900,  
11517803, 15993201)  
Black Nylon

Front Bumper Fascia Retainer  
Head Diameter: 18mm  
Stem Length: 23mm  
Fits into 9.5mm (3/8") Hole  
Olds Cutlass 1990 - On  
GM Lt. Truck 1996 - On

UNIT PACKAGE: 25



**20631**

(11588988)  
Black Nylon

Front Bumper Cover Push-Type Retainer  
Head Diameter: 18mm  
Stem Length: 26mm  
Fits into 10mm Hole  
Pontiac Grand Prix 2004 - On

UNIT PACKAGE: 25



## PUSH-TYPE RETAINERS



**20359**  
(11519444)  
Black Nylon

Bumper Cover Push-Type Retainer  
Head Diameter: 18mm  
Stem Length: 26mm  
Fits into 10mm Hole  
Oldsmobile Intrigue, Pontiac Aztek &  
Grand Prix 1997 - On

UNIT PACKAGE: 25



**18873**  
(52161-16010, 52161-02020)  
Black Nylon

Rear Bumper Cover  
Push-Type Retainer  
Head Diameter: 18mm  
Stem Length: 28mm  
Fits into 9mm Hole  
Toyota Tercel 1988 - On

UNIT PACKAGE: 6



**20931**  
(52161-20010)  
Black Nylon

Bumper Cover & Grille  
Push-Type Retainer  
Head Diameter: 18mm  
Stem Length: 31mm  
Fits into 9mm Hole  
Toyota 2000 - On

UNIT PACKAGE: 15



**19422**  
(6504521)  
Black Nylon

Fascia Push-Type Retainer  
Head Diameter: 23/32" (18.3mm)  
Stem Length: 29/32" (23mm)  
Fits into 5/16" (8mm) Hole  
Chrysler LHS, Concorde, Intrepid &  
Eagle Vision 1998 - On

UNIT PACKAGE: 25



**21479**  
(701-867-299)  
Gray Nylon

Front Bumper & Interior Trim  
Push-Type Retainer  
With 3mm Allen Head Drive  
Head Diameter: 18.5mm  
Stem Length: 11mm  
Fits into 9mm Hole  
VW Jetta & Passat 1999 - On

UNIT PACKAGE: 25



**20768**  
(4806240AA)  
Black Nylon

Rear Bumper Push-Type Retainer  
Large Head Diameter: 18.5mm  
Stem Length: 21mm  
Fits into 8mm Hole  
Chrysler 300 & Dodge Magnum  
2005 - On

UNIT PACKAGE: 10



**21201**  
(90467-07211)  
Black Nylon

Bumper, Radiator Cover &  
Grille Push-Type Retainer  
Head Diameter: 19mm  
Stem Length: 8mm  
Fits into 7mm Hole  
Lexus IS & LS, Scion and Toyota Avalon,  
Camry & Highlander 2005 - On

UNIT PACKAGE: 10



**21525**  
(53259-0E010)  
Black Nylon

Front Inner Structure Push-Type Retainer  
Head Diameter: 19mm  
Stem Length: 9mm  
Fits into 7mm Hole  
Lexus EX 350, IS 250, IS 350, RX 330,  
RX350 and RX 400H 2004 - On

UNIT PACKAGE: 15



**22248**  
(Land Rover: DYQ500060)  
Black Nylon

Exterior Pillar Moulding  
Push-Type Retainer  
Top Head Diameter: 19mm  
Bottom Head Diameter: 13mm  
Stem Length: 12mm  
Fits into 8mm Hole  
Range Rover Sport 2012 - 2006

UNIT PACKAGE: 25



**13469**  
(N802737-S)  
Black Nylon

Under Hood Retainer  
Head Diameter: 3/4" (19mm)  
Stem Length: 1/2" (12.7mm)  
Fits into 1/4" (6.4mm) Hole  
Ford Tempo & Topaz

UNIT PACKAGE: 25

## PUSH-TYPE RETAINERS

Refer to Retainer Specification Chart on pages 534-545

Listed smallest to largest by Head Diameter, Stem Length and then by Hole Diameter.



**20826**

(11609417)  
Black Nylon

Fender Apron Push-Type Retainer

Head Diameter: 19mm

Stem Length: 14mm

Panel Range: 2.7mm - 5.3mm

Fits into 8.5mm Hole

Buick Enclave & LaCrosse, Cadillac CTS, SRX & STS,  
Chevrolet Cobalt, Equinox & Malibu, GM Trucks and  
Pontiac G5, G6 & Torrent 2003 - On

UNIT PACKAGE: 50



**17988**

(90467-09143)  
Black Nylon

Push-Type Retainer

Head Diameter: 19mm

Stem Length: 26mm

Fits into 9mm Hole

Lexus 1990 - On

UNIT PACKAGE: 10



**20990**

(GM: 15296830;  
Chrysler: 5116530-AA)  
Black Nylon

Fascia & General Purpose

Push-Type Retainer

Head Diameter: 19mm

Stem Length: 16mm

Panel Range: 5.0mm - 7.0mm

Fits into 8mm Hole

GM 2007 - On

UNIT PACKAGE: 25



**22126**

(Toyota: 53384-68010)  
Black Nylon

Front Grille Push-Type Retainer

Rubber Head Diameter: 19mm

Bottom Head Diameter: 18mm

Stem Length: 28mm

Fits into 9mm Hole

Scion tC & Toyota RAV4 2005 - On

UNIT PACKAGE: 15



**11706**

(387944-S)  
Black Nylon

Grille to Metal Stamping Retainer

Head Diameter: 3/4" (19mm)

Shoulder Length: 1/4" (6.4mm)

Stem Length: 11/16" (17.5mm)

Fits into 1/4" (6.4mm) Wide Slot

Ford Truck 1978 - On

UNIT PACKAGE: 50



**19245**

(5BB14LX9)  
Black Nylon

Fascia to Front Bumper

Push-Type Retainer

Top Head Diameter: 3/4" (19mm)

Stem Length: 1-1/8" (28.5mm)

Fits into 1/4" (6.4mm) Hole

Dodge Dakota 1994 - On

UNIT PACKAGE: 25



**20273**

(Ford: N808791;  
Chrysler: 5GC71RC3AA, 5GF92RC3AA)  
Gray Nylon

Interior Trim, Dash & Console

Push-Type Retainer

Head Diameter: 19mm

Shoulder Diameter: 10mm

Shoulder Length: 7mm

Stem Length: 22mm

Fits into 9mm Hole

Dodge Durango &  
Ford Pick-Ups 1997 - On

UNIT PACKAGE: 25



**18308**

(3540858)  
Black Nylon

Radiator Air Baffle

Push-Type Retainer

Large Head

Diameter: 3/4" (19mm)

Stem Length: 1-1/8" (28.5mm)

Fits into 1/4" (6.4mm) Hole

Cadillac Eldorado & Seville 1993 - On

UNIT PACKAGE: 25

## PUSH-TYPE RETAINERS



**20244**  
(25707329)  
Green Nylon

Push-Type Retainer with Sealer  
Head Diameter: 19mm  
Stem Length: 32mm  
Fits into 8mm Hole  
Buick LeSabre, Oldsmobile Aurora  
& Pontiac Bonneville 2000 - On

UNIT PACKAGE: 10



**20755**  
(GD7A-50-EA1)  
Black Nylon

Bumper Cover & Grille  
Push-Type Retainer  
Head Diameter: 19.5mm  
Stem Length: 15mm  
Fits into 10mm Hole  
Mazda 1999 - On

UNIT PACKAGE: 10



**21568**  
(57160FC000)  
Black Nylon

Front Fender Push-Type Retainer  
Top Head Length: 19.5mm  
Bottom Head Diameter: 14mm  
Stem Length: 15mm  
Fits into 10mm Hole  
Subaru Forester 2008 - 1998

UNIT PACKAGE: 25



**20577**  
(GM: 88970494, 88973676;  
Toyota: 90467-07168)  
Black Nylon

Rocker Panel & Garnish Moulding  
Push-Type Retainer  
Head Diameter: 20mm  
Stem Length: 8mm (Excluding the Pin)  
Fits into 7mm Hole  
Pontiac Vibe 2003 - On  
Lexus & Toyota 2000 - On

UNIT PACKAGE: 15



**19908**  
(90467-07121)  
Black Nylon

Door Trim Panel  
Push-Type Retainer  
Head Diameter: 20mm  
Stem Length: 8mm (Excluding the Pin)  
Fits into 7mm Hole  
Toyota RAV4 1997 - On

UNIT PACKAGE: 10



**19907**  
(90467-07121-B2)  
Nylon

Door Trim Panel  
Push-Type Retainer  
Head Diameter: 20mm  
Stem Length: 8mm (Excluding the Pin)  
Fits into 7mm Hole  
Toyota RAV4 1997 - On

UNIT PACKAGE: 10



**18888**  
(90467-07166)  
Black Nylon

Front Fender Liner Push-Type Retainer  
Head Diameter: 20mm  
Stem Length: 8mm (Excluding the Pin)  
Fits into 7mm Hole  
Toyota Tercel 1994 - On

UNIT PACKAGE: 15



**21631**  
(84995-35101)  
Black Nylon

Push-Type Retainer  
Head Diameter: 20mm  
Stem Length: 8mm (Excluding the Pin)  
Fits into 8mm Hole  
Nissan Sentra 2007 - On

UNIT PACKAGE: 15



**19905**  
(01553-10051)  
Black Nylon

Push-Type Retainer  
Head Diameter: 20mm  
Stem Length: 8mm (Excluding the Pin)  
Fits into 8mm Hole  
Nissan Maxima 1999 - On

UNIT PACKAGE: 15



**14369**  
(1395-68-676, 9926-50-635)  
Black Nylon

Push-Type Retainer  
Head Diameter: 20mm  
Stem Length: 9mm  
Fits into 6mm Hole  
Mazda

UNIT PACKAGE: 15

## PUSH-TYPE RETAINERS



**19128**  
(90467-07044)  
Black Nylon

Quarter Panel Wheel Opening  
Moulding Push-Type Retainer  
Head Diameter: 20mm  
Stem Length: 9mm  
Fits into 7mm Hole  
Toyota T-100 1992 - On

UNIT PACKAGE: 10



**19315**  
(BC1D-56-145)  
Black Nylon

Mud Guard Push-Type Retainer  
Head Diameter: 20mm  
Stem Length: 9mm (Excluding the Pin)  
Fits into 8mm Hole  
Mazda Protege 1996 - On

UNIT PACKAGE: 15



**21294**  
(90467-07214)  
Black Nylon

Radiator Splash Shield  
Push-Type Retainer  
Head Diameter: 20mm  
Stem Length: 9mm  
Fits into 7mm Hole  
Toyota Camry 2007 - On

UNIT PACKAGE: 25



**17379**  
(91512-SM4-003)  
Black Nylon

Fender Splash Shield  
Push-Type Retainer  
Head Diameter: 20mm  
Stem Length: 9mm  
Fits into 8mm Hole  
Honda Accord 1990 - On

UNIT PACKAGE: 10



**20270**  
(51-48-1-938-725)  
Black Nylon

Hood & Trunk Insulation  
Push-Type Retainer  
Head Diameter: 20mm  
Stem Length: 9mm  
Fits into 7mm Hole  
BMW Series 3, 5, & 7 2001 - 84

UNIT PACKAGE: 25



**20637**  
(123-990-02-92)  
Black Nylon

Push-Type Retainer  
Head Diameter: 20mm  
Stem Length: 9mm  
Fits into 8mm Hole  
Mercedes-Benz

UNIT PACKAGE: 10



**21422**  
(909140051)  
Black Nylon

Front Bumper & Quarter Panel  
Push-Type Retainer  
Head Diameter: 20mm  
Stem Length: 9mm (Excluding the Pin)  
Fits into 7mm Hole  
Subaru Impreza, Legacy,  
Outback & Tribeca 2005 - On

UNIT PACKAGE: 15



**19274**  
(01553-09321)  
Black Nylon

Push-Type Retainer  
Head Diameter: 20mm  
Stem Length: 9mm (Excluding the Pin)  
Fits into 8mm Hole  
Nissan Maxima & 300ZX 1994 - On

UNIT PACKAGE: 15



**16000**  
(Honda: 90675-SB3-003;  
Mazda: FB01-56-964;  
Nissan: 63876-95596)  
Black Nylon

Push-Type Retainer  
Head Diameter: 20mm  
Stem Length: 9mm  
Fits into 8mm Hole  
Honda, Mazda & Nissan

UNIT PACKAGE: 25



**21010**  
(90467-09166)  
Black Nylon

Push-Type Retainer  
Head Diameter: 20mm  
Stem Length: 9mm  
Fits into 9mm Square Hole  
Toyota Camry 2006 - On

UNIT PACKAGE: 15

## PUSH-TYPE RETAINERS



**21973**  
(Peugeot & Citroen: 1539.16)  
Tan Nylon

Push-Type Retainer  
Head Diameter: 20mm  
Stem Length: 10mm  
Fits into 6mm Hole  
Peugeot & Citroen

UNIT PACKAGE: 10



**20908**  
(90467-07164)  
Black Nylon

Fender Splash Shield  
Push-Type Retainer  
Head Diameter: 20mm  
Stem Length: 10mm  
Fits into 7mm Hole  
Toyota Camry, Echo, MR2 &  
Sienna 1997 - On

UNIT PACKAGE: 10



**21571**  
(59122FA010)  
Black Nylon

Front Bumper, Fender,  
Windshield Washer & Rocker  
Moulding Push-Type Retainer  
Head Diameter: 20mm  
Stem Length: 10mm  
Fits into 8mm Hole  
Subaru B9 Tribeca, Baja, Forester,  
Impreza, Legacy & Outback 1998 - On

UNIT PACKAGE: 25



**22270**  
(Subaru: 909140068)  
Black Nylon

Front Fender Push-Type Retainer  
Head Diameter: 20mm  
Stem Length: 10mm  
Fits into 8mm Hole  
Subaru BRZ, Impreza, Legacy,  
Outback & XV Crosstrek 2012 - On

UNIT PACKAGE: 15



**19118**  
(91501-S04-003)  
Black Nylon

Front Fender Push-Type Retainer  
Head Diameter: 20mm  
Stem Length: 10mm  
Fits into 8mm Hole  
Honda Civic & Del Sol 1993 - On

UNIT PACKAGE: 15



**21651**  
(91501-TR0-003)  
Black Nylon

Fender Push-Type Retainer  
Head Diameter: 20mm  
Stem Length: 10mm  
Fits into 8mm Hole  
Honda Civic 2012 - On

UNIT PACKAGE: 25



**21086**  
(203-990-01-92)  
Black Nylon

Hood Insulation Push-Type Retainer  
Head Diameter: 20mm  
Stem Length: 10mm  
Fits into 8mm Hole  
Mercedes-Benz GL, M, R, SL & SLK  
2005 - On

UNIT PACKAGE: 15



**22306**  
(Mercedes: 000-991-49-40-M58)  
Black Nylon

Lower Engine Cover, Interior Trim &  
Trunk Cover Liner Push-Type Retainer  
Head Diameter: 20mm  
Stem Length: 10mm  
Fits into 8mm Hole  
Mercedes-Benz C300, C400, C63,  
CLS400, CLS550, CLS63, GLK250,  
GLK350, S550, S63 & S65 2015 - On

UNIT PACKAGE: 15



**21811**  
(Peugeot & Citroen: 8211.WV)  
Black Nylon

Push-Type Retainer  
Head Diameter: 20mm  
Stem Length: 10mm  
Fits into 8mm Hole  
Peugeot & Citroen

UNIT PACKAGE: 25



**21594**  
(909130051)  
Black Nylon

Fender Liner, Duct & Lower  
Moulding Push-Type Retainer  
Head Diameter: 20mm  
Stem Length: 11mm  
Fits into 7mm Hole  
Subaru B9 Tribeca, Forester,  
Impreza, Legacy & Outback 2005 - On

UNIT PACKAGE: 15

# PUSH-TYPE RETAINERS



**21592**  
(909140052)  
Black Nylon

Push-Type Retainer  
Head Diameter: 20mm  
Stem Length: 11mm  
Fits into 7mm Hole  
Subaru B9 Tribeca, Impreza,  
Legacy & Outback 2005 - On

UNIT PACKAGE: 15



**21580**  
(59122AC030)  
Black Nylon

Front Fender Push-Type Retainer  
Head Diameter: 20mm  
Stem Length: 12mm  
Fits into 7mm Hole  
Subaru B9 Tribeca, Baja, Forester Legacy  
& Outback 1995 - On

UNIT PACKAGE: 25



**19239**  
(Honda: 91512-SX0-003;  
Mitsubishi: MU000319)  
Black Nylon

Front Fender & Bumper Support  
Push-Type Retainer  
Head Diameter: 20mm  
Stem Length: 11mm  
Fits into 8mm Hole  
Acura 3.5RL, Honda Accord,  
Prelude & Odyssey 1994 - On  
Mitsubishi Lancer 2002 - On

UNIT PACKAGE: 25



**21500**  
(909140063)  
Black Nylon

Cowl Vent Push-Type Retainer  
Head Diameter: 20mm  
Stem Length: 12mm  
Fits into 7mm Hole  
Subaru Legacy & Outback 2010 - On

UNIT PACKAGE: 10



**17347**  
(01553-06721)  
Black Nylon

Front & Rear Bumper  
Cover Push-Type Retainer  
Head Diameter: 20mm  
Stem Length: 11mm (Excluding the Pin)  
Fits into 8mm Hole  
Nissan Maxima & Infiniti 1990 - On

UNIT PACKAGE: 15



**21192**  
(Nissan: 01553-05323)  
(Mazda: L33X13209)  
Black Nylon

Cowl, Bumper & Fender Liner  
Push-Type Retainer  
Head Diameter: 20mm  
Stem Length: 12mm  
Fits into 8mm Hole  
Infiniti FX35, FX45, G35 and Nissan 2003 - On  
Mazda 2, 3, 5, 6, CX-5, CX-7 & CX-9 2007 - On

UNIT PACKAGE: 10



**21297**  
(91503-S7A-003)  
Black Nylon

Front Bumper Push-Type Retainer  
Head Diameter: 20mm  
Stem Length: 11mm  
Fits into 10mm Hole  
Honda Civic 2010 - On

UNIT PACKAGE: 15



**22039**  
(Nissan: 01553-2DR9A)  
Black Nylon

Push-Type Retainer  
Top Head Diameter: 16mm x 19mm  
Bottom Head Diameter: 20mm  
Stem Length: 12mm  
Fits into 8mm Hole  
Infiniti G20, JX35, Q45 & QX60 and  
Nissan Frontier, Maxima, NV, Pathfinder,  
Sentra, Versa & Xterra 2002 - On

UNIT PACKAGE: 15



**17992**  
(90467-07138)  
Black Nylon

Push-Type Retainer  
Head Diameter: 20mm  
Stem Length: 12mm  
Fits into 7mm Hole  
Lexus 1990 - On

UNIT PACKAGE: 10



**21856**  
(Toyota: 51454-48010, 51454-0E010)  
Black Nylon

Front Bumper Extension Mounting  
Bracket Push-Type Retainer  
Head Diameter: 20mm  
Stem Length: 12mm  
Fits into 10mm Hole  
Lexus IS CV, F, RX330 & RX400 Hybrid 2006 - On  
Toyota Highlander, Sienna & Venza 2009 - On

UNIT PACKAGE: 15

## PUSH-TYPE RETAINERS



**22100**  
(GM: 11612035)  
Black Nylon

Front Fender &  
Body Side Liner  
Push-Type Retainer  
Head Diameter: 20mm  
Stem Length: 12mm  
Fits into 8.5mm Hole  
Chevrolet Colorado & SS and  
GMC Canyon 2014 - On

UNIT PACKAGE: 25



**20953**  
(11296-AG000)  
Black Nylon

Front Bumper & Radiator Support  
Push-Type Retainer  
Head Diameter: 20mm  
Stem Length: 13mm  
Fits into 8mm Hole  
Infiniti FX 35/45 and Nissan Altima,  
Maxima & Quest 2002 - On

UNIT PACKAGE: 25



**20516**  
(W706182-S300)  
Black Nylon

Headlight Mounting &  
Deck Lid Push-Type Retainer  
Head Diameter: 20mm  
Hex: 10mm  
Stem Length: 13mm  
Fits into 8mm Hole  
Ford Expedition, Explorer &  
Focus 2000 - On

UNIT PACKAGE: 25



**21812**  
(Peugeot & Citroen: 16-092-672-80;  
Renault: 77-03-072-416)  
Black Nylon

Push-Type Retainer  
Rectangular Head Size: 9mm x 20mm  
Head Diameter: 20mm  
Stem Length: 13mm  
Fits into 8mm Hole  
Renault, Dacia, Peugeot and Citroen

UNIT PACKAGE: 25



**22112**  
(Honda: 91512-STK-A01)  
Black Nylon

Garnish & Rear Spoiler  
Push-Type Retainer with Sealer  
Head Diameter: 20mm  
Stem Length: 13mm  
Fits into 8.5mm Hole  
Acura RDX & TSX and Honda Accord,  
CR-V & Odyssey 2011 - On

UNIT PACKAGE: 10



**22068**  
(Honda: 91513-SJK-003)  
White Nylon

Rocker, Pillars, Spoiler, Garnish & Exterior  
Trim Push-Type Retainer with Sealer  
Head Diameter: 20mm  
Stem Length: 13mm  
Fits into 8.5mm Hole  
Acura MDX, RLX, TSX & ZDX and Honda  
Accord, Civic, CR-V, Element,  
Fit, Insight & Pilot 2007 - On

UNIT PACKAGE: 15



**22069**  
(Honda: 91512-SJK-003)  
White Nylon

Rocker, Pillars, Garnish & Exterior Trim  
Push-Type Retainer with Sealer  
Head Diameter: 20mm  
Stem Length: 13mm  
Fits into 8.5mm Hole  
Acura ZDX 2013 - 2010  
Honda Odyssey & Pilot 2005 - On

UNIT PACKAGE: 15



**20986**  
(91505-S9A-003)  
Black Nylon

Front Bumper Push-Type Retainer  
with Internal Metal Insert  
Head Diameter: 20mm  
Stem Length: 13mm  
Fits into 10mm Hole  
Honda Civic 2006 - On

UNIT PACKAGE: 10



**19233**  
(91503-SZ3-003)  
Black Nylon

Front Bumper Push-Type Retainer  
Head Diameter: 20mm  
Stem Length: 13mm  
Fits into 10mm Hole  
Acura 3.5RL Sedan & Honda 1996 - On

UNIT PACKAGE: 15

# PUSH-TYPE RETAINERS



**21454**  
(91503-SHJ-A01)  
Black Nylon

Front Bumper Push-Type Retainer  
Head Diameter: 20mm  
Stem Length: 13mm  
Fits into 10mm Hole  
Honda Odyssey 2010 - 05

UNIT PACKAGE: 10



**16782**  
(Honda: 91545-SE0-003-W1;  
Nissan: 63848-01G00)  
Black Nylon

Push-Type Retainer  
Head Diameter: 20mm  
Stem Length: 8mm (Excluding the Pin)  
Fits into 8mm Hole

UNIT PACKAGE: 25



**21134**  
(01553-09431)  
Black Nylon

Front Bumper Push-Type Retainer  
Head Diameter: 20mm  
Stem Length: 11mm (Excluding the Pin)  
Fits into 8mm Hole  
Nissan Maxima 2004 - On

UNIT PACKAGE: 15



**21883**  
(Peugeot & Citroen: 6991.X7)  
Black Nylon

Bumper Push-Type Retainer  
Head Diameter: 20mm  
Stem Length: 14mm  
Fits into 8mm Hole  
Peugeot & Citroen

UNIT PACKAGE: 25



**20638**  
(BMW: 51471911992,  
51470146782, 51470390017  
Mercedes-Benz: 201-990-02-92)  
Black Nylon

Push-Type Retainer  
Head Diameter: 20mm  
Stem Length: 14mm  
Fits into 8.5mm Hole  
BMW 1, 2, 3, 4, 5, 6, 7, i3, i8, X &  
Z Series 1988 - On  
Mercedes-Benz

UNIT PACKAGE: 25



**20608**  
(91503-S0K-A01)  
Black Nylon

Grille Mounting Push-Type Retainer  
Head Diameter: 20mm  
Stem Length: 14mm  
Fits into 10mm Hole  
Honda Element 2003 - On

UNIT PACKAGE: 15



**21706**  
(Honda: 91505-TM8-003)  
Black Nylon

Bumper and Wheel Well Liner  
Push-Type Retainer  
Head Diameter: 20mm  
Stem Length: 14mm  
Fits into 10mm Hole  
Acura ILX and Honda Insight 2012 - On

UNIT PACKAGE: 15



**20734**  
(51-11-1-944-537)  
Black Nylon

Bumper, Wheel Opening, Scuff Plate &  
Interior Trim Push-Type Retainer  
Head Diameter: 20mm  
Stem Length: 15mm  
Fits into 6.3mm Hole  
BMW Series 3, 5, 7 & X5 1989 - On

UNIT PACKAGE: 50



**21545**  
(01553-08231)  
Black Nylon

Front & Rear Bumper and  
Grille Push-Type Retainer  
Head Diameter: 20mm  
Stem Length: 15mm  
Fits into 8mm Hole  
Infiniti FX35, FX45 & Q45 and Nissan  
Murano, 240 SX & 350Z 1995 - On

UNIT PACKAGE: 25



**17350**  
(Honda: 91516-SK7-013;  
Nissan: 01553-00-344)  
Black Nylon

Splash Shield Push-Type Retainer  
Phillips Drive  
Head Diameter: 20mm  
Hex: 10mm  
Stem Length: 15mm  
Fits into 8mm Hole  
Honda Civic 1992 - On  
Nissan Xterra, Frontier & Quest 1999 - On

UNIT PACKAGE: 10



# PUSH-TYPE RETAINERS



**17267**  
(91503-SP0-003)  
Black Nylon

Front & Rear Bumper  
Push-Type Retainer  
Head Diameter: 20mm  
Stem Length: 15mm  
Fits into 10mm Hole  
Acura Legend 1991 - On

UNIT PACKAGE: 15



**21173**  
(91506-S9A-003)  
Black Nylon

Bumper & Splash Shield  
Push-Type Retainer with Metal Insert  
Head Diameter: 20mm  
Stem Length: 16mm  
Fits into 10mm Hole  
Acura MDX, RDX & TSX and Honda  
Accord, Civic CR-V & Fit 2009 - 04

UNIT PACKAGE: 10



**21563**  
(909130059)  
Black Nylon

Front Bumper & Fender  
Push-Type Retainer  
Head Diameter: 20mm  
Stem Length: 15mm  
Fits into 10mm Hole  
Subaru Forester, Impreza & Outback 2006 - 02

UNIT PACKAGE: 25



**20766**  
(6507669-AA)  
Black Nylon

Radiator Grille Push-Type Retainer  
Head Diameter: 20mm  
Stem Length: 16mm  
Fits into 10mm Hole  
Dodge Durango 2004 - On

UNIT PACKAGE: 25



**21781**  
(BMW: 51-71-8-259-788;  
51-71-0-391-077)  
Black Nylon

Rocker Panel, Air Duct Compartment  
& Wheel Housing Push-Type Retainer  
Head Diameter: 20mm  
Stem Length: 16mm  
Fits into 6.3mm Hole  
3, 5, 6, 7 & Z Series 1994 - On

UNIT PACKAGE: 25



**20248**  
(51-11-8-174-185)  
Black Nylon

Bumper Trim Push-Type Retainer  
Head Diameter: 20mm  
Stem Length: 17mm  
Fits into 6.3mm Hole  
BMW Series 3, 5 & 7 1995 - On

UNIT PACKAGE: 25



**20388**  
(51218-205-295)  
Black Nylon

Cowl Vent Push-Type Retainer  
Head Diameter: 20mm  
Stem Length: 16mm  
Fits into 7mm Hole  
**Use with Auveco 20254**  
BMW Series 5 1997 - On

UNIT PACKAGE: 50



**22052**  
(BMW: 51471919209)  
Black Nylon

Interior Trim & Engine  
Intake Duct Push-Type Retainer  
Head Diameter: 20mm  
Stem Length: 17mm  
Fits into 6.3mm Hole  
BMW 3, 5, 7, 8, X and Z Series 2012 - 1984

UNIT PACKAGE: 25



**21596**  
(75867-06030)  
Black Nylon

Rocker Panel Push-Type Retainer  
Head Diameter: 20mm  
Stem Length: 16mm  
Fits into 8mm Hole  
Toyota & Lexus 2007 - On

UNIT PACKAGE: 25



**20458**  
(6506132-AA)  
Black Nylon

Side Radiator Shield  
Push-Type Retainer  
Head Diameter: 20mm  
Stem Length: 17mm  
Fits into 7mm Hole  
Chrysler Sebring & Stratus 2001 - On

UNIT PACKAGE: 25

## PUSH-TYPE RETAINERS



### 16858

(Nissan: 63844-01A00;  
Kia: MNA01-56-145;  
Mazda: NA01-56-145;  
Ford: MNA01-56145, NA01-56145)  
Black Nylon

Inner Fender Push-Type Retainer  
Head Diameter: 20mm (25/32")  
Stem Length: 18mm (23/32")  
Fits into 8mm (5/16") Hole  
Nissan 1980 - On  
Mazda, Kia & Ford

UNIT PACKAGE: 25



### 20991

(11589292)  
Black Nylon

Bumper Fascia, Flares & Air Dam  
Push-Type Retainer  
Head Diameter: 20mm  
Stem Length: 20mm  
Panel Range: 2.0mm - 4.5mm  
Fits into 8.5mm Hole  
Chevrolet and GMC C & K Trucks 2007 - On

UNIT PACKAGE: 25



### 20564

(91503-SZ5-003)  
Black Nylon

Front & Rear Bumper  
Push-Type Retainer  
Head Diameter: 20mm  
Stem Length: 18mm  
Fits into 10mm Hole

Acura 3.5RL and Honda Accord & Odyssey 1996 - On

UNIT PACKAGE: 15



### 16625

(10108746)  
Black Nylon

Front Bumper Fascia Retainer  
Head Diameter: 20mm  
Stem Length: 20mm  
Fits into 10mm Square Hole  
GM Station Wagons 1991 - On

UNIT PACKAGE: 25



### 21119

(B100-68-675-69)  
Black Nylon

Push-Type Retainer  
Head Diameter: 20mm  
Stem Length: 19mm  
Fits into 6mm Hole

Ford Probe and Mazda MX6 1988 - On

UNIT PACKAGE: 15



### 19140

(Acura: 90505-SL0-003;  
GM: 94852368;  
Mitsubishi: MB888869;  
Toyota: 90467-08155)  
Black Nylon

Push-Type Retainer  
Head Diameter: 20mm  
Stem Length: 21mm  
Fits into 8mm Hole

Acura, Dodge Avenger, Eagle Talon, Geo Prizm,  
Mitsubishi Eclipse & Galant and Toyota 1993 - On

UNIT PACKAGE: 5



### 17472

(Mitsubishi: MB547806;  
Nissan: 63854-01A00)  
Black Nylon

Front Bumper Fascia  
Push-Type Retainer  
Head Diameter: 20mm  
Stem Length: 20mm  
Fits into 8mm Hole

Mitsubishi & Nissan 300ZX 1990 - On

UNIT PACKAGE: 15



### 21778

(BMW: 51-12-7-004-445)  
Black Nylon

Rear Bumper Support Fixture Trim  
Push-Type Retainer  
Head Diameter: 20mm  
Stem Length: 21mm  
Fits into 8.5mm Hole  
3, 5 & 6 Series 2002 - On

UNIT PACKAGE: 25



### 17216

(GM: 21030249;  
Ford: N807389S; Chrysler: 6503598)  
Black Nylon

Air Baffle to Under Carriage  
Push-Type Retainer  
Head Diameter: 20mm  
Stem Length: 20mm  
Fits into 8mm Hole

GM Saturn 2 Door & 4 Door Models 1991 - On  
Ford & Chrysler

UNIT PACKAGE: 25



### 19615

(15153415)  
Black Nylon

Rear Bumper Cover  
Push-Type Retainer  
Top Head Diameter: 20mm  
Stem Length: 21mm  
Fits into 9mm Hole

GM C & K Trucks 1999 - On

UNIT PACKAGE: 25

## PUSH-TYPE RETAINERS



**20348**  
(63878-01E10)  
Black Nylon

Push-Type Retainer  
Head Diameter: 20mm  
Stem Length: 22mm  
Fits into 8mm Hole  
Nissan Maxima 1994 - On

UNIT PACKAGE: 15



**20889**  
(GM: 11589293;  
Ford: W712196-S300)  
Black Nylon

Cowl Vent & Fender  
Push-Type Retainer  
Head Diameter: 20mm  
Stem Length: 22mm  
Panel Range: 4.5mm - 7.0mm  
Fits into 8.5mm Hole  
Buick Century, LaCrosse & Regal, Cadillac, Chevrolet  
Equinox, GM Trucks, Hummer H3 and  
Pontiac Grand Prix & Torrent 1997 - On  
Ford 2006 - On

UNIT PACKAGE: 25



**20992**  
(11589294)  
Black Nylon

Bumper Fascia, Fender and Toe/Floor  
Panel Push-Type Retainer  
Head Diameter: 20mm  
Stem Length: 24mm  
Panel Range: 7.0mm - 10.0mm  
Fits into 8.5mm Hole  
Buick Enclave & LaCrosse, Chevrolet &  
GMC C & K Trucks, GMC Acadia, Hummer  
H3 and Saturn Outlook 2005 - On

UNIT PACKAGE: 25



**17144**  
(91504-SM4-000)  
Black Nylon

Bumper Fascia Push-Type Retainer  
Head Diameter: 20mm  
Stem Length: 24mm  
Fits into 10mm Hole  
Honda Accord 1990 - On

UNIT PACKAGE: 10



**19408**  
Same as 17144 except for unit package quantity

UNIT PACKAGE: 50



**18119**  
(91502-SP0-003)  
Black Nylon

Front & Rear Bumper  
Push-Type Retainer  
Head Diameter: 20mm  
Stem Length: 25mm  
Fits into 10mm Hole  
Honda 1990 - On

UNIT PACKAGE: 10



**18951**  
(MR-138807)  
Black Nylon

Front Bumper & Support  
Push-Type Retainer  
Head Diameter: 20mm  
Stem Length: 26mm  
Fits into 8mm Hole  
Mitsubishi Eclipse 1994 - On

UNIT PACKAGE: 5



**20632**  
(GM: 11518017;  
Ford: W708530-S300)  
Black Nylon

Bumper Cover & Fender Shield  
Push-Type Retainer  
Head Diameter: 20mm  
Stem Length: 26mm  
Fits into 8mm Hole  
GM & Ford 1997 - On

UNIT PACKAGE: 15



**19739**  
(90467-09127)  
Black Nylon

Bumper Cover Push-Type Retainer  
Head Diameter: 20mm  
Stem Length: 26mm  
Fits into 9mm Hole  
Toyota Avalon, Camry,  
Corolla & Solara 1998 - On

UNIT PACKAGE: 10



**22299**  
(Hyundai: 86590-35000)  
Black Nylon

Bumper Cover  
Push-Type Retainer  
Head Diameter: 20mm  
Stem Length: 26mm  
Fits into 9.5mm Hole  
Hyundai Tucson 2009 - 2005

UNIT PACKAGE: 25



## PUSH-TYPE RETAINERS



**17143**

(Honda: 91502-SM4-000;  
Hyundai 86590-35000)  
Black Nylon

Bumper Fascia Push-Type Retainer  
Head Diameter: 20mm  
Stem Length: 27mm  
Fits into 10mm Hole  
Honda Accord 1990 - On  
Hyundai 2005 - On

UNIT PACKAGE: 10

**19407**

Same as 17143 except unit package quantity

UNIT PACKAGE: 50



**18896**

(21095797)  
Black Nylon

Bumper Fascia  
Push-Type Retainer  
Head Diameter: 20mm  
Stem Length: 28mm  
Fits into 8mm Hole  
GM Saturn 1996 - On

UNIT PACKAGE: 25



**21420**

(909140007)  
Black Nylon

Bumper, Engine Cover, Fender & Grille  
Push-Type Retainer  
Head Diameter: 21mm  
Stem Length: 15mm (Excluding the Pin)  
Fits into 10mm Hole  
Subaru Baja, Forester, Impreza, Legacy,  
Outback & Tribeca 2000 - On

UNIT PACKAGE: 15



**20457**

(4857345-AA)  
Black Nylon

Tail Light Housing  
Push-Type Retainer  
Large Head Diameter: 21mm  
Stem Length: 23mm  
Fits into 9.5mm Hole  
Chrysler Caravan, Town & Country and  
Voyager Mini Vans 2002 - On

UNIT PACKAGE: 25



**16835**

(GM: 10140480;  
Chrysler: 6502625)  
Black Nylon

Rear Bumper Fascia Retainer  
Head Diameter: 21mm (27/32")  
Shoulder Length: 3mm (1/8")  
Stem Length: 25mm (1")  
Fits into 12mm (1/2") Hole  
GM APV Vans 1990 - On

UNIT PACKAGE: 25



**14998**

(15672330, 15956470)  
Black Nylon

Push-Type Retainer  
Head Diameter: 27/32" (21.4mm)  
Stem Length: 1" (25.4mm)  
Fits into 13/32" (10.3mm) Hole  
GM 1987 - On

UNIT PACKAGE: 25



**20739**

(WX68DX9-AA)  
Black Nylon

Door Trim Panel  
Push-Type Retainer  
Head Diameter: 22mm  
Stem Length: 10mm (Excluding the Pin)  
Fits into 9mm Hole  
Chrysler 300 & Dodge Magnum 2005 - On

UNIT PACKAGE: 25



**21021**

(0WX68BD5-AA)  
Dark Gray Nylon

Door Trim Panel  
Push-Type Retainer  
Head Diameter: 22mm  
Stem Length: 10mm (Excluding the Pin)  
Fits into 9mm Hole  
Chrysler Charger, Magnum & 300M  
2005 - On

UNIT PACKAGE: 25



**21427**

(0WX68XDB-AA)  
Light Gray Nylon

Door Trim Panel  
Push-Type Retainer  
Head Diameter: 22mm  
Stem Length: 10mm (Excluding the Pin)  
Fits into 9mm Hole  
Chrysler 300M, Charger & Magnum  
2005 - On

UNIT PACKAGE: 25

## PUSH-TYPE RETAINERS



**20948**  
(0WX68BD1-AA)  
Tan Nylon

Door Trim Panel  
Push-Type Retainer  
Head Diameter: 22mm  
Stem Length: 10mm (Excluding the Pin)  
Fits into 9mm Hole  
Chrysler 300M, Charger & Magnum  
2005 - On

UNIT PACKAGE: 25



**22101**  
(Audi: 4D0-807-300)  
Black Nylon

Bumper, Fender & Hood  
Insulation Push-Type Retainer  
Head Diameter: 22mm  
Stem Length: 12mm  
Fits Into 7.5mm Hole  
Audi A4, A5, A8, Q3, Q5 & S8 1997 - On

UNIT PACKAGE: 15



**22095**  
(Audi: N90-229-301)  
Black Nylon

Hood Insulation  
Push-Type Retainer  
Head Diameter: 22mm  
Stem Length: 13mm  
Fits into 8mm Hole  
Audi & Volkswagen 1986 - On

UNIT PACKAGE: 25



**20863**  
(5480772)  
Black Nylon

Lower Rocker Moulding  
Push-Type Retainer  
Head Diameter: 22mm  
Stem Length: 13mm (Excluding the Pin)  
Fits into 15mm Hole  
Chevrolet Equinox 2005 - On

UNIT PACKAGE: 10



**21810**  
(Peugeot & Citroen: 6997.T2)  
Black Nylon

Push-Type Retainer  
Head Diameter: 22mm  
Stem Length: 14mm  
Fits into 6.3mm Hole  
Peugeot & Citroen

UNIT PACKAGE: 25



**17378**  
(01553-03101)  
Black Nylon

Bumper & Fascia  
Push-Type Retainer  
Head Diameter: 22mm  
Stem Length: 14mm (Excluding the Pin)  
Fits into 11mm Hole  
Nissan 1986 - On

UNIT PACKAGE: 15



**21860**  
(Toyota: 51453-48010, 51453-0E010)  
Black Nylon

Front Side Lower Fender Panel  
Bracket Push-Type Retainer  
Head Diameter: 22mm  
Stem Length: 14mm  
Fits into 13mm Hole  
Lexus RX330 2009 - 2004  
Toyota Highlander 2010 - On

UNIT PACKAGE: 15



**21366**  
(90467-09227)  
Black Nylon

Bumper & Engine Under Cover  
Push-Type Retainer  
Head Diameter: 22mm  
Stem Length: 15mm (Excluding the Pin)  
Fits into 9mm Hole  
Toyota 4 Runner, RAV 4 & Scion XB  
2006 - On

UNIT PACKAGE: 10



**20967**  
(Not Available from O.E.M.)  
Black Nylon

Rear Bumper Mounting Bracket  
Push-Type Retainer  
Head Diameter: 22mm  
Stem Length: 16mm  
Fits into 10mm Hole  
Jeep Commander 2006 - On

UNIT PACKAGE: 15



**19847**  
(5973823)  
Blue Nylon

Fascia Retainer  
Head Diameter: 7/8" (22mm)  
Shoulder Length: 5/32" (4mm)  
Stem Length: 25/32" (20mm)  
Fits into 1/2" (12.7mm) Hole  
GM 1979 - On

UNIT PACKAGE: 25

## PUSH-TYPE RETAINERS



**20753**  
(01553-03201)  
Black Nylon

Front & Rear Bumper  
Push-Type Retainer  
Head Diameter: 22mm  
Stem Length: 21mm  
Fits into 8mm Hole  
Nissan 1982 - On

UNIT PACKAGE: 10



**22282**  
(Mazda: FD01-68-AC3)  
Gray Nylon

Bumper Filler & Door Panel  
Push-Type Retainer  
Head Diameter: 22mm  
Stem Length: 25mm  
Fits into 8mm Hole  
Mazda 2, 3, 5, 6,  
CX-5, CX-7 & CX-9  
2004 - On

UNIT PACKAGE: 15



**18269**  
(6503106)  
Black Nylon

Lower Sill Moulding  
Push-Type Retainer  
Large Head Diameter: 7/8" (22mm)  
Stem Length: 1" (25.4mm)  
Fits into 1/4" (6.4mm) Hole  
Jeep Grand Cherokee Laredo 1994 - On

UNIT PACKAGE: 15



**15043**  
(14103461)  
Black Nylon

Bumper Fascia Retainer  
Head Diameter: 7/8" (22mm)  
Shoulder Length: 5/32" (4mm)  
Stem Length: 1-3/64" (26.5mm)  
Fits into 1/2" (12.7mm) Hole  
GM 1987 - On

UNIT PACKAGE: 25



**21578**  
(57750AA090)  
Black Nylon

Front & Rear Bumper  
Push-Type Retainer  
Head Diameter: 22mm  
Stem Length: 28mm  
Fits into 10mm Hole  
Subaru Impreza & Legacy 2001 - 1993

UNIT PACKAGE: 25



**21251**  
(6Q0-868-243)  
Black & White Nylon

Trim Panel  
Push-Type Retainer with Sealer  
Head Diameter: 22.5mm  
Stem Length: 8mm (Excluding the Pin)  
Fits into 8mm Hole  
Volkswagen Golf, Jetta, Passat, Phaeton,  
Rabbit & Tiguan 2004 - On

UNIT PACKAGE: 15



**22256**  
(Jaguar: XR831159)  
Black Nylon

Radiator Support &  
Air Deflector Shield  
Push-Type Retainer  
Head Diameter: 24mm  
Stem Length: 12mm  
Fits into 12mm Hole  
Jaguar X, XF, XJ-L & XK 2012 - On

UNIT PACKAGE: 10



**21482**  
(1H0-867-199-A)  
Black Nylon

Push-Type Retainer  
Head Diameter: 24mm  
Stem Length: 13mm  
Fits into 9mm Square Hole  
VW Passat 1999 - 90

UNIT PACKAGE: 25



**21452**  
(1H0-819-055-C01C)  
Black Nylon

Push-Type Retainer  
Top Head Diameter: 23mm  
Bottom Head Diameter: 16mm  
Stem Length: 15mm  
Fits into 8mm x 8mm Square Hole  
VW 2002 - 1993

UNIT PACKAGE: 25



**20767**  
(4806110-AA)  
Black & White Nylon

Front Bumper Push-Type Retainer  
Head Diameter: 24mm  
Shoulder Length: 3mm  
Stem Length: 20mm  
Fits into 11mm Hole  
Chrysler 300 & Dodge Magnum 2005 - On

UNIT PACKAGE: 15

## PUSH-TYPE RETAINERS



**21376**  
(4389947-AA)  
Black and White Nylon

Bumper Cover  
Push-Type Retainer with Sealer  
Head Diameter: 24mm  
Shoulder Length: 3mm  
Stem Length: 20mm  
Fits into 11mm Hole  
Chrysler Avenger, Journey & Sebring  
2008 - On

UNIT PACKAGE: 10



**20233**  
(W705956-S300)  
Black Nylon

Cowl Push-Type Retainer  
Head Diameter: 25mm  
Shoulder Diameter: 10mm  
Shoulder Length: 3mm  
Stem Length: 12mm (Excluding the Pin)  
Fits into 9mm Hole  
Lincoln LS 1999 - On

UNIT PACKAGE: 15



**21176**  
(10382313)  
Black Nylon

Sight Shield & Trim  
Push-Type Retainer  
Head Diameter: 24.5mm  
Stem Length: 13mm (Excluding the Pin)  
Fits into 9mm Hole  
Cadillac STS, Pontiac Solstice and  
Saturn Sky 2005 - On

UNIT PACKAGE: 10



**22047**  
(Subaru: 94415FA000NE)  
Gray & Black Nylon

Rear Roof Spoiler Trim  
Push-Type Retainer  
Top Head Diameter: 25mm  
Bottom Head Diameter: 21mm  
Stem Length: 9mm (Not including the Pin)  
Fits into 8mm Hole  
Impreza 2007 - 1998

UNIT PACKAGE: 15



**20518**  
(W705957-S300, W706519-S300)  
Black Nylon

Radiator Sight Shield  
Push-Type Retainer  
Head Diameter: 24.5mm  
Stem Length: 14mm  
Fits into 9mm Hole  
Lincoln LS 2000 - On

UNIT PACKAGE: 10



**21501**  
(909140055)  
Black Nylon

Push-Type Retainer with Sealer  
Head Diameter: 25mm  
Shoulder Length: 3mm  
Shoulder Diameter: 16.5mm  
Stem Length: 16mm (Excluding the Pin)  
Fits into 11mm Hole  
Subaru 2006 - On

UNIT PACKAGE: 5



**21400**  
(10426555)  
Natural Nylon

Front Bumper  
Push-Type Retainer  
Top Head Diameter: 24.5mm  
Bottom Head Diameter: 23.5mm  
Stem Length: 36mm  
Fits into 10mm Hole  
Buick Allure & LaCrosse  
Chevrolet Impala &  
Monte Carlo and  
Pontiac Grand Prix 2000 - On

UNIT PACKAGE: 15



**21576**  
(909140002)  
Black Nylon

Rocker, Pillar, Floor & Exterior Trim  
Push-Type Retainer with Sealer  
Head Diameter: 25mm  
Shoulder Diameter: 17mm  
Shoulder Length: 3mm  
Stem Length: 16mm (Excluding the Pin)  
Fits into 11mm Hole  
Subaru B9 Tribeca, Baja, Legacy &  
Outback 2000 - On

UNIT PACKAGE: 25

## PUSH-TYPE RETAINERS



**20993**  
(GM: 11589295; Ford: W712665-S300)  
Black Nylon

Fender, Flare, Gas Tank &  
Panel Attachment Push-Type Retainer  
Head Diameter: 25mm  
Stem Length: 20mm  
Panel Range: 3.0mm - 6.0mm  
Fits into 10.5mm Hole  
Chevrolet Cobalt & HHR,  
GM C & K Trucks and  
Pontiac G5 2005 - On

UNIT PACKAGE: 25



**21361**  
(GM: 11561874;  
Nissan: 622A2-9E000A)  
Black Nylon

Bumper Cover Push-Type Retainer  
Head Diameter: 25mm  
Stem Length: 29mm  
Fits into 7mm Hole  
Chevrolet Malibu 2008 - On  
Saturn Aura 2007 - On  
Pontiac G6 2010 - On  
Nissan Altima 1997 - On

UNIT PACKAGE: 15



**20994**  
(11589296)  
Black Nylon

Panel Attachment &  
General Purpose  
Push-Type Retainer  
Head Diameter: 25mm  
Stem Length: 23mm  
Panel Range: 6.0mm - 9.00m  
Fits into 10.5mm Hole  
Buick Enclave and GMC Acadia  
2007 - On

UNIT PACKAGE: 25



**19244**  
(N808847-S)  
Black Nylon

Trunk Trim Panel  
Push-Type Retainer  
Head Diameter: 1" (25.4mm)  
Stem Length: 11/16" (17.5mm)  
Fits into 1/4" (6.4mm) Square Hole  
Ford Taurus & Sable 1996 - On

UNIT PACKAGE: 25



**22284**  
(Ford: W718365-S300)  
Black Nylon

Front Fender, Cowl Grille,  
Rocker & Mudguard  
Push-Type Retainer  
Head Diameter: 25mm  
Stem Length: 24mm  
Fits into 8.5mm Hole  
Ford Mustang & Transit  
Connect and Lincoln  
MKC 2014 - On

UNIT PACKAGE: 10



**14010**  
(14045480)  
Black Nylon

Fascia Retainer  
Head Diameter: 1" (25.4mm)  
Stem Length: 23/32" (18.3mm)  
Fits into 3/8" (9.5mm) Hole  
GM 1982 - On

UNIT PACKAGE: 25



**15701**  
(N804674-S)  
Black Nylon

Push-Type Retainer  
Head Diameter: 25mm  
Stem Length: 27mm  
Fits into 7mm Hole  
Ford Mustang & Capri

UNIT PACKAGE: 50



**12757**  
(5973400)  
Black Nylon

Fascia Retainer  
Head Diameter: 1" (25.4mm)  
Shoulder Length: 1/8" (3.2mm)  
Stem Length: 3/4" (19mm)  
Fits into 1/2" (12.7mm) Hole  
GM 1979 - On

UNIT PACKAGE: 15

**16265**  
Same as 12757 except unit package quantity

UNIT PACKAGE: 50



# PUSH-TYPE RETAINERS



**14147**  
(20547865)  
Black Nylon

Body Retainer  
Head Diameter: 1" (25.4mm)  
Stem Length: 7/8" (22mm)  
Fits into 1/4" (6.4mm) Hole  
GM 1984 - On

UNIT PACKAGE: 25



**14020**  
(Ford: N802781-S; GM: 14093088)  
Black Nylon

Splash Shield & Fascia Retainer  
Head Diameter: 1" (25.4mm)  
Stem Length: 7/8" (22mm)  
Fits into 1/4" (6.4mm) Hole  
GM & Ford

UNIT PACKAGE: 25



**14019**  
(Ford: N803421-S, Chrysler: 6501590)  
Black Nylon

Splash Shield & Fascia Retainer  
Head Diameter: 1" (25.4mm)  
Shoulder Length: 1/8" (3.2mm)  
Stem Length: 7/8" (22mm)  
Fits into 5/16" (8mm) Hole  
Ford & Chrysler

UNIT PACKAGE: 25



**13994**  
(GM: 20570245, 20635065;  
Ford: N804614S)  
Black Nylon

Splash Shield, Seat Cushion &  
Spare Tire Retainer  
Head Diameter: 1" (25.4mm)  
Stem Length: 7/8" (22mm)  
Fits into 5/16" (8mm) Hole  
GM 1984 - On  
Ford

UNIT PACKAGE: 25



**12756**  
(5973996)  
Brown Nylon

Fascia Retainer  
Head Diameter: 1" (25.4mm)  
Shoulder Length: 1/4" (6.4mm)  
Stem Length: 7/8" (22mm)  
Fits into 1/2" (12.7mm) Hole  
GM 1982 - On

UNIT PACKAGE: 15



**14994**  
(N804837S)  
Black Nylon

Push-Type Retainer  
Head Diameter: 1" (25.4mm)  
Stem Length: 29/32" (23mm)  
Fits into 1/4" (6.4mm) Hole  
Ford 1987 - On

UNIT PACKAGE: 50



**18310**  
(22587036)  
Black Nylon

Rear Bumper Fascia  
Push-Type Retainer  
Head Diameter: 1" (25.4mm)  
Stem Length: 15/16" (24mm)  
Fits into 3/8" (9.5mm) Hole  
Chevrolet Cavalier & Pontiac Sunfire  
1995 - On

UNIT PACKAGE: 25



**15702**  
(14101262)  
Black Nylon

Plastic Cover on Engine  
Compartment Retainer  
Head Diameter: 1" (25.4mm)  
Shoulder Length: 1/8" (3.2mm)  
Stem Length: 15/16" (24mm)  
Fits into 1/2" (12.7mm) Hole  
Buick, Oldsmobile & Pontiac 1988 - On

UNIT PACKAGE: 25



**20265**  
(25663903)  
Black Nylon

Radiator Support Sight Shield  
Push-Type Retainer  
Head Diameter: 1" (25.4mm)  
Stem Length: 1" (25.4mm)  
Fits into 1/4" (6.4mm) Hole  
Cadillac DeVille & Seville 1998 - On

UNIT PACKAGE: 10



**18503**  
(W701054-S300)  
Black Nylon

Front Bumper Push-Type Retainer  
Head Diameter: 1" (25.4mm)  
Stem Length: 1" (25.4mm)  
Fits into 5/16" (8mm) Hole  
Ford Contour & Mystique 1995 - On

UNIT PACKAGE: 25

## PUSH-TYPE RETAINERS



**15044**

(22535007)  
Black Nylon

Bumper Fascia Retainer  
Head Diameter: 1" (25.4mm)  
Shoulder Length: 1/8" (3.2mm)  
Stem Length: 1" (25.4mm)  
Fits into 1/2" (12.7mm) Hole  
GM 1987 - On

UNIT PACKAGE: 25



**18268**

(15959832)  
Black Nylon

Front License Plate Bracket  
Push-Type Retainer  
Head Diameter: 1" (25.4mm)  
Shoulder Length: 9/64" (3.6mm)  
Stem Length: 1-5/8" (41.3mm)  
Fits into 1/2" (12.7mm) Hole  
GM Truck 1994 - On

UNIT PACKAGE: 5



**15045**

(10053388, 22542705)  
Black Nylon

Bumper Fascia Retainer  
Head Diameter: 1" (25.4mm)  
Shoulder Length: 1/8" (3.2mm)  
Stem Length: 1-7/64" (28.2mm)  
Fits into 1/2" (12.7mm) Hole  
GM 1987 - On

UNIT PACKAGE: 25



**18334**

(15959833)  
Gray Nylon

Front License  
Plate Bracket  
Push-Type Retainer  
Head Diameter: 1" (25.4mm)  
Stem Length: 1-3/4" (44.5mm)  
Fits into 1/2" (12.7mm) Hole  
GM S-10 Truck with  
Decor Package  
1994 - On

UNIT PACKAGE: 5



**18394**

(6503453)  
Black Nylon

Bumper Fascia Retainer  
Head Diameter: 1" (25.4mm)  
Stem Length: 1-1/8" (28.5mm)  
Fits into 1/4" (6.4mm) Hole  
Jeep Grand Cherokee 1994 - On

UNIT PACKAGE: 25



**21238**

(22718369)  
Black Nylon

Fuel Tank Shield &  
Miscellaneous Push-Type Retainer  
Head Diameter: 26mm  
Stem Length: 12mm  
Fits into 10mm Hole

Chevrolet Malibu & Trail Blazer 2004 - On

UNIT PACKAGE: 25



**15042**

(10077283)  
Black Nylon

Bumper Fascia Retainer  
Head Diameter: 1" (25.4mm)  
Shoulder Length: 1/4" (6.4mm)  
Stem Length: 1-1/8" (28.5mm)  
Fits into 1/2" (12.7mm) Hole  
GM 1982 - On

UNIT PACKAGE: 25



**19892**

(25695687)  
Black Nylon

Radiator Support Sight Shield  
Push-Type Retainer  
Head Diameter: 27mm  
Shoulder Length: 7mm  
Stem Length: 18mm  
(Excluding the Pin)  
Fits into 10mm Hole  
Cadillac DeVille & Seville 2000 - On

UNIT PACKAGE: 15

## PUSH-TYPE RETAINERS



**17616**

(21077131)

Black Nylon

Bumper Fascia  
Push-Type Retainer  
Head Diameter: 1-3/16" (30mm)  
Stem Length: 2" (51mm)  
Fits into 7/16" (11mm) Hole  
GM Saturn 1991 - On

UNIT PACKAGE: 10



**22339**

(Mercedes: 001-990-01-92)

Black Nylon

Rocker Panel Moulding  
Push-Type Retainer  
Head Diameter: 30.5mm  
T25 Drive  
Stem Length: 17mm  
Fits into 8.5mm Hole  
Mercedes-Benz CLS550,  
CLS63 AMG, SL550, SL600,  
SL63 AMG, SLK300, SLK350  
and SLK55 AMG 2011 - 2008

UNIT PACKAGE: 25



**21348**

(6508643-AA)

Black Nylon

Tail Light Push-Type Retainer  
Top Head Diameter: 31.5mm  
Bottom Head Diameter: 20mm  
Stem Length: 23mm  
Fits into 10mm Hole  
Dodge Nitro and Jeep 2008 - On

UNIT PACKAGE: 15



**17080**

(OH452KD5)

Nylon Quartz Matte Finish

Headliner Retainer  
Head Diameter: 1-1/4" (32mm)  
Stem Length: 7/16" (11mm)  
Fits into 1/4" (6.4mm) Hole  
Dodge Caravan & Plymouth Voyager  
1984 - On

UNIT PACKAGE: 15



**20963**

(4806334-AA)

Black & White Nylon

Rear Bumper Push-Type  
Retainer with Sealer  
Head Diameter: 34mm  
Shoulder Length: 3.5mm  
Stem Length: 17mm  
Fits into 8.5mm Hole  
Dodge Caliber and  
Jeep Compass & Patriot  
2007 - On

UNIT PACKAGE: 10



**19638**

(Chrysler: 4805405AA;

Ford: 1L5Z-17K826AA)

Black & White Nylon

Front Bumper Fascia  
Push-Type Retainer  
Head Diameter: 34mm  
Shoulder Length: 3mm  
Stem Length: 20mm  
Fits into 8mm Hole  
Chrysler Concorde, Intrepid, Eagle,  
Pacifica & PT Cruiser 1998 - On  
Ford Trucks 2005 - On

UNIT PACKAGE: 15



**22072**

(Toyota: 76923-47010)

Black Nylon

Rocker Moulding  
Push-Type Retainer  
Head Diameter: 38mm  
Stem Length: 32mm  
Fits into 22mm Hole  
Lexus HS 250h & CT 200h  
and Toyota Prius 2010 - On

UNIT PACKAGE: 5

## PUSH-TYPE RETAINERS



**16115**

(5113-885-399)  
Black Nylon

Push-Type Retainer  
Head Size: 7mm x 15mm  
Stem Length: 17mm  
Fits into 6mm x 6mm Hole  
BMW

UNIT PACKAGE: 25



**16725**

(66814-01G00)  
Black Nylon

Cowl Grille Retainer  
Head Size: 8mm x 12mm  
Stem Length: 8mm  
Fits into 6mm Square Hole  
Nissan Pick-Up 1986 - On

UNIT PACKAGE: 25



**20923**

(Ford: 3M8Z-1502316-A;  
Mazda: GJ6E-50-715A)  
Black Nylon

Cowl Vent Push-Type Retainer  
Head Size: 8.5mm x 12mm  
Stem Length: 9mm  
Fits into 5mm Hole  
Ford Fusion, Milan & Zephyr 2006 - On  
Mazda 5 & 6 2003 - On

UNIT PACKAGE: 15



**20407**

(9133073-8)  
Black Nylon

Hood Insulation & Radiator Seal  
Push-Type Retainer  
Head Size: 8mm x 25mm  
Stem Length: 10mm  
Fits into 5mm Hole

Volvo 850, 940, 960, S80, S90 & V90 1991 - On

UNIT PACKAGE: 25



**20203**

(124-990-07-92)  
Black Nylon

Push-Type Retainer  
Head Size: 11mm x 14mm  
Stem Length: 8mm  
Fits into 7mm x 8mm Hole  
Mercedes-Benz 124, 129, 140, 170, 202,  
203, 208, 210, 215 & 220 1986 - On

UNIT PACKAGE: 25



**14953**

(Ford: N803494S; GM: 15679091)  
Black Nylon

Fascia, Trim & Grille Retainer  
Head Size: " 15/32" x 15/32"  
(12mm x 12mm)  
Stem Length: 21/32" (16.7mm)  
Fits into 1/4" (6.4mm) Square Hole or Slot  
Ford Aerostar, Escort & Lynx 1985 - On  
GM 1994 - On

UNIT PACKAGE: 25



**14725**

(66824-W1000)  
Black Nylon

Push-Type Retainer  
Head Size: 12mm x 18mm  
Stem Length: 10mm  
Fits into 6mm Hole  
Nissan

UNIT PACKAGE: 15



**22041**

(GM: 92139147)  
Black Nylon

Front & Rear Bumper Fascia  
Push-Type Retainer  
Head Size: 14mm x 21mm  
Stem Length: 16mm  
Fits into 8mm Hole  
Chevrolet Caprice and  
Pontiac G8 & GTO 2011 - 04

UNIT PACKAGE: 25

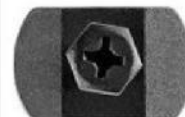


**14727**

(Nissan: 63844-D0100;  
Isuzu: 8942211500)  
Black Nylon

Push-Type Retainer  
Head Size: 14mm x 22mm  
Stem Length: 9mm  
Fits into 7mm Hole  
Isuzu & Nissan

UNIT PACKAGE: 25



**20892**

(12337831)  
Black Nylon

Front Bumper Push-Type Retainer  
Head Size: 14mm x 26mm  
Stem Length: 14mm  
Fits into 8mm Hole  
Pontiac G6 2005 - On

UNIT PACKAGE: 50

# PUSH-TYPE RETAINERS



**14008**

(14032200)  
Black Nylon

Grille Attachment Retainer  
Head Size: 19/32" x 3/4"  
(15mm x 19mm)  
Stem Length: 19/32" (15mm)  
Fits into 5/16" (8mm) Hole  
GM 1981 - On

UNIT PACKAGE: 25



**17104**

(6501630, 6501772, 6501878)  
Black Nylon

Headlight & Tail Light  
Panel Attachment  
Push-Type Retainer  
Head Size: 15mm x 31mm  
Stem Length: 17mm  
Fits into 5mm x 6.5mm Hole  
Dodge Daytona 1987 - On

UNIT PACKAGE: 10



**16843**

(Mazda: BF82-50-233;  
Nissan: 01553-01393)  
Black Nylon

Bumper Cover  
Push-Type Retainer  
Head Size: 20mm x 30mm  
Stem Length: 18mm  
Fits into 10mm Hole  
Mazda & Nissan

UNIT PACKAGE: 10



**18029**

(4630253)  
Black Nylon

Rear Fascia  
Push-Type Retainer  
Head Size: 7/8" x 1-25/32"  
(22mm x 45.5mm)  
Stem Length: 1-1/16" (27mm)  
Fits into 1/2" (12.7mm) Hole  
Chrysler Concorde & LHS  
Dodge Intrepid & Eagle Vision  
1993 - On

UNIT PACKAGE: 15



**20890**

(55157112-AA, 55157112-AB)  
Black & Natural Nylon

Bumper Cover  
Push-Type Retainer  
Head Size: 25mm x 45mm  
Shoulder Length: 3mm  
Stem Length: 20mm  
Fits into 9.5mm Hole  
Jeep Liberty 2005 - On

UNIT PACKAGE: 15



**FACCA | FASTENERS**

# PUSH-TYPE RETAINER SPECIFICATION CHART



Part No.	Type	Head Diameter	Stem Length	Fits in Hole Size	Shoulder Length	Color	Page No.
11699	7	11/16" (17.5mm)	5/8" (16mm)	1/4" (6.4mm)		Black	506
11702	7	25/64" (10mm)	19/32" (15mm)	9/32" (7.1mm)		Natural	491
11704	7	11/16" (17.5mm)	7/16" (11mm)	9/32" (7.1mm)		Black	505
11705	7	19/32" (15mm)	5/8" (16mm)	1/4" (6.4mm)		Black	500
11706	7	3/4" (19mm)	11/16" (17.5mm)	1/4" x 1/4" (6.4mm x 6.4mm)	1/4" (6.4mm)	Black	514
11854	7	7/16" (11mm)	9/32" (7.1mm)	3/16" (4.8mm)		Natural	492
12567	5	11/16" (17.5mm)	9/16" (14.3mm)	1/4" (6.4mm)		Black	505
12756	5	1" (25.4mm)	7/8" (22mm)	1/2" (12.7mm)	1/4" (6.4mm)	Brown	529
12757	5	1" (25.4mm)	3/4" (19mm)	1/2" (12.7mm)	3/4" (19mm)	Black	528
13230	7	10mm	7mm	5mm		Black	490
13457	1 (Phillips Hex Drive)	43/64" (17mm)	23/64" (18.3mm)	5/16" (8mm)		Black	505
13469	1 (Phillips Hex Drive)	3/4" (19mm)	1/2" (12.7mm)	1/4" (6.4mm)		Black	513
13993	6	11/16" (17.5mm)	7/8" (22mm)	1/4" (6.4mm)		Black	506
13994	6	1" (25.4mm)	7/8" (22mm)	5/16" (8mm)		Black	529
13996	6	11/16" (17.5mm)	7/8" (22mm)	9/32" (7.1mm)		Black	506
13999	3	3/8" (9.5mm)	1/2" (12.7mm)	7/32" (5.6mm)		Black	490
14001	5	21/32" (16.7mm)	19/32" (15mm)	5/16" (8mm)		Black	504
14007	5	11/16" (17.5mm)	9/16" (14.3mm)	1/4" (6.4mm)		Black	505
14008	11	19/32" x 3/4" (15mm x 19mm)	19/32" (15mm)	5/16" (8mm)		Black	533
14010	5	1" (25.4mm)	23/32" (18.3mm)	3/8" (9.5mm)		Black	528
14011	5	21/32" (16.7mm)	9/16" (14.3mm)	5/16" (8mm)		Black	504
14016	3	3/8" (9.5mm)	7/16" (11mm)	3/16" (4.8mm)		Black	490
14018	3	18mm	23mm	7mm		Black	512

# PUSH-TYPE RETAINER SPECIFICATION CHART



Part No.	Type	Head Diameter	Stem Length	Fits in Hole Size	Shoulder Length	Color	Page No.
14019	6	1" (25.4mm)	7/8" (22mm)	5/16" (8mm)	1/8" (3.2mm)	Black	529
14020	6	1" (25.4mm)	7/8" (22mm)	1/4" (6.4mm)		Black	529
14147	6	1" (25.4mm)	7/8" (22mm)	1/4" (6.4mm)		Black	529
14260	1	15mm	12mm	7mm		Black	498
14369	1	20mm	9mm	6mm		Black	515
14696	1	15mm	11mm	6mm		Black	498
14697	1	14mm	11mm	7mm		Black	496
14698	1	18mm	11mm	6mm		Black	508
14725	10	12mm x 18mm	10mm	6mm		Black	532
14726	1	17mm	18mm	8mm		Black	505
	(Phillips Hex Drive)						
14727	10	14mm x 22mm	9mm	7mm		Black	532
14753	2	11/16" (17.5mm)	7/8" (22mm)	1/4" (6.4mm)		Black	506
14953	10	15/32" x 15/32" (12mm x 12mm)	21/32" (16.7mm)	1/4" x 1/4" (6.4mm x 6.4mm)		Black	532
14987	2	11mm (7/16")	18mm (11/16")	6mm (15/64")		Black	493
14988	2	7/16" (11mm)	11/16" (17.5mm)	15/64" (6mm)		Black	493
14990	2	7/16" (11mm)	15/32" (11.9mm)	15/64" (6mm)		Black	492
	(Torx Drive)						
14991	2	11/16" (17.5mm)	11/16" (17.5mm)	1/4" (6.4mm)		Black	506
14992	2	19/32" (15mm)	29/32" (23mm)	1/4" (6.4mm)		Black	500
14993	2	11/16" (17.5mm)	7/8" (22mm)	1/4" (6.4mm)		Black	506
14994	2	1" (25.4mm)	29/32" (23mm)	1/4" (6.4mm)		Black	529
14995	2	1/2" (12.7mm)	1-13/64" (30.5mm)	9/32" (7mm)		Black	495
14997	2	19/32" (15mm)	13/16" (20.6mm)	5/16" (8mm)		Black	500
14998	2	27/32" (21.4mm)	1" (25.4mm)	13/32" (10.3mm)		Black	524
15042	6	1" (25.4mm)	1-1/8" (28.5mm)	1/2" (12.7mm)	1/4" (6.4mm)	Black	530
15043	6	7/8" (22mm)	1-3/64" (26.5mm)	1/2" (12.7mm)	5/32" (4mm)	Black	526

\*Not including the pin

# PUSH-TYPE RETAINER SPECIFICATION CHART



Part No.	Type	Head Diameter	Stem Length	Fits in Hole Size	Shoulder Length	Color	Page No.
15044	6	1" (25.4mm)	1" (25.4mm)	1/2" (12.7mm)	1/8" (3.2mm)	Black	530
15045	6	1" (25.4mm)	1-7/64" (28.2mm)	1/2" (12.7mm)	1/8" (3.2mm)	Black	530
15522	5	5/8" (16mm)	17/32" (6.4mm)	1/4"		Black	503
15672	1 (Phillips Hex Drive)	17mm	14mm	8mm (5/16")		Black	505
15701	6	25mm	27mm	7mm		Black	528
15702	6	1" (25.4mm)	15/16" (24mm)	1/2" (12.7mm)	1/8" (3.2mm)	Black	529
16000	1	20mm	9mm	8mm		Black	516
16115	10	7mm x 15mm	17mm	6mm x 6mm		Black	532
16265	5	1" (25.4mm)	3/4" (19mm)	1/2" (12.7mm)	3/4" (19mm)	Black	528
16622	6	18mm	23mm	9.5mm (3/8")		Black	512
16624	3	17mm	18mm	9.5mm (3/8")	2mm	Black	505
16625	6	20mm	20mm	10mm x 10mm		Black	522
16725	11	8mm x 12mm	8mm	6mm x 6mm		Black	532
16726	3	18mm	18mm	6.3mm x 6.3mm		Black	510
16782	8	20mm	8mm*	8mm		Black	520
16783	8	12mm	8mm*	6mm		Black	493
16784	8	18mm	11mm*	7mm		Black	508
16816	3	14mm	14mm	6mm		Black	497
16835	2	27/32" (21mm)	1" (25mm)	1/2" (12mm)	1/8" (3mm)	Black	524
16843	10	20mm x 30mm	18mm	10mm		Black	533
16858	2	25/32" (20mm)	23/32" (18mm)	5/16" (8mm)		Black	522
16859	2	9/16" (14mm)	5/8" (16mm)	1/4" (6mm)		Black	497
17057	2	18mm	21mm	8mm		Black	512
17080	7	1-1/4" (32mm)	7/16" (11mm)	1/4" (6.4mm)		Quartz Matte Finish	531
17081	1	18mm	12mm	6mm		Black	508
17103	3	15mm	23mm	6mm		Black	500
17104	10	15mm x 31mm	17mm	5mm x 6.5mm		Black	533
17106	3	1/2" (12.7mm)	7/16" (11mm)	3/16" (4.8mm)		Black	495
17143	2	20mm	27mm	10mm		Black	524
17144	2	20mm	24mm	10mm		Black	523
17162	8	15mm	8mm*	6.3mm		Black	499

\*Not including the pin



# PUSH-TYPE RETAINER SPECIFICATION CHART



Part No.	Type	Head Diameter	Stem Length	Fits in Hole Size	Shoulder Length	Color	Page No.
17192	4	18mm	14mm	8mm		Black	509
17206	1	15mm	12mm	9mm		Black	499
17214	2 (Torx Drive)	7/16" (11mm)	11/16" (18mm)	15/64" (6mm)		Black	493
17216	3	20mm	20mm	8mm		Black	522
17222	3	15mm	20mm	8mm		Black	500
17226	3	15mm	29mm	8mm		Black	501
17227	7	7mm	10mm	5mm		Black	490
17267	1	20mm	15mm	10mm		Black	521
17287	1	13mm	11mm	6mm		Black	495
17347	8	20mm	11mm*	8mm		Black	518
17350	1 (Phillips Hex Drive)	20mm	15mm	8mm		Black	520
17351	1	17mm	10mm	7mm		Black	504
17378	1	22mm	14mm*	11mm		Black	525
17379	1	20mm	9mm	8mm		Black	516
17383	8	11mm	14mm*	7mm		Black	492
17439	2	15mm	27mm	9mm		Black	501
17472	2	20mm	20mm	8mm		Black	522
17478	3	14mm	16mm	6mm		Black	497
17616	6	1-3/16" (30mm)	2" (51mm)	7/16" (11mm)		Black	531
17632	1	18mm	12mm	8mm		Black	508
17988	2	19mm	26mm	9mm		Black	514
17992	1	20mm	12mm	7mm		Black	518
18029	Misc.	7/8" x 1-25/32" (22mm x 45.5mm)	1-1/16" (27mm)	1/2" (12.7mm)		Black	533
18030	6	11/16" (17.5mm)	13/16" (20.6mm)	1/4" (6.4mm)		Black	506
18032	2	15/32" (11.9mm)	9/16" (14.3mm)	1/4" (6.4mm)		Black	493
18119	1	20mm	25mm	10mm		Black	523
18165	4	17mm	9mm	8mm		Black	504
18206	4	18mm	12mm	6mm		Gray	508
18265	6	16mm	20mm	8mm		Black	503
18268	6	1" (25.4mm)	1-5/8" (41.3mm)	1/2" (12.7mm)	9/64" (3.6mm)	Black	530
18269	5	7/8" (22mm)	1" (25.4mm)	1/4" (6.4mm)		Black	526
18270	8	17mm	9mm	7mm		Black	504
18308	3	3/4" (19mm)	1-1/8" (28.5mm)	1/4" (6.4mm)		Black	514

\*Not including the pin

# PUSH-TYPE RETAINER SPECIFICATION CHART



Part No.	Type	Head Diameter	Stem Length	Fits in Hole Size	Shoulder Length	Color	Page No.
18310	6	1" (25.4mm)	15/16" (24mm)	3/8" (9.5mm)		Black	529
18327	5	11/16" (17.5mm)	5/8" (16mm)	1/4" (6.4mm)		Black	506
18334	6	1" (25.4mm)	1-3/4" (44.5mm)	1/2" (12.7mm)		Gray	530
18353	9	9/16" (14.3mm)	41/64" (16.3mm)	1/4" (6.4mm)		White	497
18394	3	1" (25.4mm)	1-1/8" (28.5mm)	1/4" (6.4mm)		Black	530
18503	6	1" (25.4mm)	1" (25.4mm)	5/16" (8mm)		Black	529
18873	3	18mm	28mm	9mm		Black	513
18888	4	20mm	8mm*	7mm		Black	515
18893	1	11/16" (17.5mm)	1/2" (12.7mm)	1/4" (6.4mm)		Black	505
18894	1	11/16" (17.5mm)	3/4" (19mm)	1/4" (6.4mm)		Black	506
18895	1	11/16" (17.5mm)	1-3/32" (28mm)	1/4" (6.4mm)		Black	506
18896	3	20mm	28mm	8mm		Black	524
18939	2	18mm	23mm	9mm		Black	512
18951	1	20mm	26mm	8mm		Black	523
19013	4	15mm	10mm	7mm		Black	498
19118	4	20mm	10mm	8mm		Black	517
19128	1	20mm	9mm	7mm		Black	516
19140	1	20mm	21mm	8mm		Black	522
19142	1	15mm	13mm	7mm x 7mm		Black	499
19186	4	11mm	10mm	8mm		Black	492
19195	7	16mm	12mm	8mm		Black	502
19219	Misc.	15mm	27mm	9mm		Black	501
19231	8	18mm	12mm	8mm		Black	510
19232	1	17mm	13mm	7mm		Black	504
19233	4	20mm	13mm	10mm		Black	519
19239	4	20mm	11mm	8mm		Black	518
19242	2	13/32" (10.3mm)	11/16" (17.5mm)	7/32" (5.6mm)		Black	492
19243	1	16mm	10mm*	9mm		Black	501
19244	6	1" (25.4mm)	11/16" (17.5mm)	1/4" x 1/4" (6.4mm x 6.4mm)		Black	528
19245	3	3/4" (19mm)	1-1/8" (28.5mm)	1/4" (6.4mm)		Black	514

\*Not including the pin

# PUSH-TYPE RETAINER SPECIFICATION CHART



Part No.	Type	Head Diameter	Stem Length	Fits in Hole Size	Shoulder Length	Color	Page No.
19246	4	18mm	15mm	10mm		Black	510
19248	7	16mm	14mm	6mm		Black	503
19274	4	20mm	9mm*	8mm		Black	516
19297	8	16mm	12mm*	7mm		Black	502
19306	1	16mm	12mm	6mm		Black	502
19311	1	15mm	13mm	6mm		Black	499
19315	1	20mm	9mm*	8mm		Black	516
19337	Misc.	14mm	23mm	6.3mm		Black	497
19355	6	17/32" (13.5mm)	1-5/64" (27.5mm)	1/4" (6.4mm)		Black	496
19407	2	20mm	27mm	10mm		Black	524
19408	2	20mm	24mm	10mm		Black	523
19416	8	18mm	12mm*	9mm		Black	510
19422	4	23/32" (18.3mm)	29/32" (23mm)	5/16" (8mm)		Black	513
19453	4	18mm	15mm*	8mm		Black	510
19490	1	18mm	8mm	6mm		Black	507
19511	9	29/32" (23mm)	11/16" (17.5mm)	3/8" (9.5mm)		White	501
19522	3	12mm	18mm	6mm x 6mm		Black	494
19546	1	17mm	16mm	7mm x 7mm		Black	505
19547	4	17mm	13mm*	9mm		Black	504
19552	1	16mm	9mm	7mm		Black	501
19607	7	16mm	12mm	10mm		Natural	502
19615	3	20mm	21mm	9mm		Black	522
19638	Misc.	34mm	20mm	8mm	3mm	Black & White	531
19639	3	17mm	16mm	6mm		Black	505
19645	1	14mm	8mm*	6mm		Gray	496
19726	1	14mm	8mm*	6mm		Black	496
19739	2	20mm	26mm	9mm		Black	523
19747	1	18mm	10mm	8mm		Black	507
19787	2	12mm	17mm	6mm		Black	494
19788	2	11mm	20mm	6mm		Black	493
19801	3	19/32" (15mm)	3/4" (19mm)	1/4" (6.4mm)		Black	500
19847	5	7/8" (22mm)	25/32" (20mm)	1/2" (12.7mm)	5/32" (4mm)	Blue	525
19849	2	18mm	18mm	8mm		Black Nylon & Santoprene Rubber	511
19854	5	7mm	10mm	5mm		Black	490
19892	8	27mm	18mm*	10mm	7mm	Black	530
19904	7	16mm	14mm	9mm		Black	503

\*Not including the pin

# PUSH-TYPE RETAINER SPECIFICATION CHART



Part No.	Type	Head Diameter	Stem Length	Fits in Hole Size	Shoulder Length	Color	Page No.
19905	1	20mm	8mm*	8mm		Black	515
19907	1	20mm	8mm*	7mm		Gray	515
19908	1	20mm	8mm*	7mm		Black	515
20163	Misc.	12.5mm	17mm	6mm		Black	495
20169	9	15mm	13mm	7mm		White	499
20187	7	10mm	10mm	6mm		Black	491
20196	1	14mm	8mm	6mm		Black	496
20203	Misc.	11mm x 14mm	8mm	7mm x 8mm		Black	532
20233	8	25mm	12mm*	9mm	3mm	Black	527
20234	5	15mm	15mm	6.3mm		Black	500
20244	9	19mm	32mm	8mm		Green with Sealer	515
20247	4	18mm	12mm	9mm		Black	509
20248	5	20mm	17mm	6.3mm		Black	521
20265	2	1" (25.4mm)	1" (25.4mm)	1/4" (6.4mm)		Black	529
20270	5	20mm	9mm	7mm		Black	516
20273	8	19mm	22mm	9mm	7mm	Gray	514
20310	7	5/8" (16mm)	7/16" (11mm)	1/4" (6.4mm)		Black	502
20314	7	13mm	14mm	8mm		Black	496
20327	4	18mm	22mm	9mm		Black	512
20335	4	18mm	7mm	7mm		Black	507
20348	2	20mm	22mm	8mm		Black	523
20349	4	18mm	12mm	8mm		Black	508
20352	2	16mm	21mm	8mm		Black	504
	(Slotted Drive)						
20359	6	18mm	26mm	10mm		Black	513
20363	9	20mm	12mm*	9mm		White	499
20365	4	18mm	13mm	7.5mm x 7.5mm		Black	509
20367	2	18mm	18mm	8mm		Black	511
20388	1	20mm	16mm	7mm		Black	521
20407	11	8mm x 25mm	10mm	5mm		Black	532
20457	3	21mm	23mm	9.5mm		Black	524
20458	6	20mm	17mm	7mm		Black	521
20465	1	18mm	9mm	8mm		Black	507
20516	1	20mm	13mm	8mm		Black	519
	(Hex Drive)						
20518	Misc.	24.5mm	14mm*	9mm		Black	527
20542	6	16.5mm	27mm	8mm		Black	504
20545	2	18mm	18mm	6.3mm		Black Nylon & Santoprene Rubber	510
20564	4	20mm	18mm	10mm		Black	522

\*Not including the pin

# PUSH-TYPE RETAINER SPECIFICATION CHART



Part No.	Type	Head Diameter	Stem Length	Fits in Hole Size	Shoulder Length	Color	Page No.
20577	1	20mm	8mm*	7mm		Black	515
20580	4	14mm	12mm	7mm		Black	499
20608	4	20mm	14mm	10mm		Black	520
20613	2	18mm	20mm	9mm		Black	511
20631	6	18mm	26mm	10mm		Black	512
20632	3	20mm	26mm	8mm		Black	523
20636	5	12mm	10mm	8.5mm		Dark Gray	493
20637	5	20mm	9mm	8mm		Black	516
20638	5	20mm	14mm	8.5mm		Black	520
20639	1	12mm	11mm	5mm x 5mm		Black	494
20640	1	12mm	11mm	5mm		Black	494
20666	8	12mm	14mm*	6mm		Gray	494
20734	7	20mm	15mm	6.3mm		Black	520
20739	8	22mm	10mm*	9mm		Black	524
20753	2	22mm	21mm	8mm		Black	526
20755	4	19.5mm	15mm	10mm		Black	515
20766	7	20mm	16mm	10mm		Black	521
20767	Misc.	24mm	20mm	11mm	3mm	Black & White	526
20768	4	18.5mm	21mm	8mm		Black with Sealer	513
20826	3	19mm	14mm	8.5mm		Black	514
20863	4	22mm	13mm*	15mm		Black	525
20869	4	18mm	7.5mm	7mm		Black	507
20880	3	18mm	20mm	6.5mm		Black	511
20888	3	18mm	20mm	9.5mm		Black	512
20889	3	20mm	22mm	8.5mm		Black	523
20890	Misc.	25mm x 45mm	20mm	9.5mm	3mm	Black & Natural	533
20892	10	14mm x 26mm	14mm	8mm		Black	532
20908	4	20mm	10mm	7mm		Black	517
20909	6	16mm	18mm	7mm		Black	503
20910	8	17mm	12mm	8mm		Black	504
20923	10	8.5mm x 12mm	9mm	5mm		Black	532
20931	3	18mm	31mm	9mm		Black	513
20943	2	14mm	23mm	7mm		Black	497
20948	8	22mm	10mm*	9mm		Tan	525
20953	4	20mm	13mm	8mm		Black	519
20963	Misc.	34mm	17mm	8.5mm	3.5mm	Black & White	531
20966	4	18mm	20mm	8mm		Black	511
20967	7	22mm	16mm	10mm		Black	525
20986	4	20mm	13mm	10mm		Black	519
20988	3	18mm	17.5mm	6.5mm		Black	510
20989	3	18mm	22mm	6.5mm		Black	512

\*Not including the pin

# PUSH-TYPE RETAINER SPECIFICATION CHART



Part No.	Type	Head Diameter	Stem Length	Fits in Hole Size	Shoulder Length	Color	Page No.
20990	3	19mm	16mm	8mm		Black	514
20991	3	20mm	20mm	8.5mm		Black	522
20992	3	20mm	24mm	8.5mm		Black	523
20993	3	25mm	20mm	10.5mm		Black	528
20994	3	25mm	23mm	10.5mm		Black	528
21010	1	20mm	9mm	9mm x 9mm		Black	516
21011	4	15mm	17mm	7mm		Black	500
21021	8	22mm	10mm*	9mm		Gray	524
21024	4	18mm	10mm	6mm		Black	507
21037	7	10mm	10mm	6mm		Black	491
21044	1	16mm	11mm	6.3mm		Black	502
21086	5	20mm	10mm	8mm		Black	517
21089	1	18mm	18mm	8mm		Black	510
21098	1	18mm	18mm	6.4mm		Black	510
21103	1	10mm	12mm	5mm		Black	491
21104	1	14mm	14mm	7mm		Black	497
21110	8	18mm	12mm	8.5mm		Black	509
21112	2	15mm	14mm	6mm		Black	499
21119	2	20mm	19mm	6mm		Black	522
21120	8	15mm	9mm*	7mm		Black	499
21123	4	18mm	12mm*	8mm		Black	511
21134	8	20mm	11mm*	8mm		Black	520
21140	8	15mm	12mm	6.3mm		Black	498
21141	9	18mm	13mm	8mm		Black & White	509
21146	1	18mm	12mm	8mm		Black	508
21172	1	13mm	18mm	8mm		Black With Sealer	496
21173	4	20mm	16mm	10mm		Black	521
21176	Misc.	24.5mm	13mm*	9mm		Black	527
21190	8	16mm	14mm	7mm		Black	503
21192	4	20mm	12mm	8mm		Black	518
21201	4	19mm	8mm	7mm		Black	513
21218	1	11mm	8mm	5mm		Black	492
21225	5	18mm	14mm	7mm		Black	509
21233	2	10mm	13mm	5mm		Black	491
21238	7	26mm	12mm	10mm		Black	530
21246	8	12mm	14mm*	6mm		Black	494
21249	8	11mm	9mm*	7mm		Black	492
21251	Misc.	22.5mm	8mm*	8mm		Black & White	526
21294	4	20mm	9mm	7mm		Black	516
21297	4	20mm	11mm	10mm		Black	518
21311	1	18mm	12mm	8mm		Gray	508
21325	1	16mm	14mm	7mm		Black	503

\*Not including the pin

# PUSH-TYPE RETAINER SPECIFICATION CHART



Part No.	Type	Head Diameter	Stem Length	Fits in Hole Size	Shoulder Length	Color	Page No.
21328	8	15mm	10mm	7mm		Black	498
21348	Misc.	20mm	23mm	10mm		Black	531
21361	6	25mm	29mm	7mm		Black	528
21366	4	22mm	15mm*	9mm		Black	525
21376	Misc.	24mm	20mm	11mm	3mm	Black & White	527
21391	7	12mm	11mm	8mm		Dark Gray	493
21400	Misc.	23.5mm	36mm	10mm		Natural	527
21420	4	21mm	15mm*	10mm		Black	524
21422	4	20mm	9mm*	7mm		Black	516
21427	8	22mm	10mm*	9mm		Gray	524
21451	4	14mm	10mm	8.5mm		Black	496
21452	1	16mm	15mm	8mm x 8mm		Black	526
21454	Misc.	20mm	13mm	10mm		Black	520
21477	8	16mm	14mm	7mm		Gray	503
21479	1	18.5mm	11mm	9mm		Gray	513
	(Allen Drive)						
21482	1	24mm	13mm	9mm x 9mm		Black	526
21500	1	20mm	12mm	7mm		Black	518
	(Slotted Drive)						
21501	4	25mm	12mm*	11mm	3mm	Black with Sealer	527
21525	8	19mm	9mm	7mm		Black	513
21529	3	18mm	22mm	6.5mm		Black with Sealer	512
21530	1	18mm	10mm	8mm		Black	507
21545	1	20mm	15mm	8mm		Black	520
21547	4	18mm	10mm	9mm		Black	508
21563	4	20mm	15mm	10mm		Black	521
21566	1	16mm	13mm	7mm		Black	502
21568	Misc.	14mm	15mm	10mm		Black	515
21570	1	16mm	11mm	6mm		Black	501
21571	1	20mm	10mm	8mm		Black	517
21576	4	25mm	16mm*	11mm	3mm	Black with Sealer	527
21578	2	22mm	28mm	10mm		Black	526
21580	1	20mm	12mm	7mm		Black	518
21585	5	9mm	7mm	4mm		Black	490
21592	1	20mm	11mm	7mm		Black	518
	(Slotted Drive)						
21593	1	15mm	8mm	7mm		Black	497
21594	1	20mm	11mm	7mm		Black	517
21596	4	20mm	16mm	8mm		Black	521
21601	9	22mm	16mm	9mm		White Nylon & Black Rubber Seal	503
21620	2	15mm	14mm	5mm		Black	499

\*Not including the pin

# PUSH-TYPE RETAINER SPECIFICATION CHART



Part No.	Type	Head Diameter	Stem Length	Fits in Hole Size	Shoulder Length	Color	Page No.
21624	1	16mm	10mm	8mm		Black	501
21631	4	20mm	8mm*	8mm		Black	515
21645	7	15mm	15mm	6.3mm		Black	500
21651	4	20mm	10mm	8mm		Black	517
21658	4	15mm	11mm	6mm		Black	498
21662	8	11mm	11mm	7mm		Black	492
21663	1	10mm	9mm	5mm		Black	491
21672	6	18mm	20mm	6.3mm		Black with Sealer	511
21680	4	18mm	10mm	8mm		Black	507
21702	4	18mm	12mm	10mm		Black	509
21703	Misc.	18mm	12mm	7mm		Black	508
21711	6	11mm	16mm	6mm		Black Nylon & Santoprene Rubber	493
21769	1	13mm	13mm	8mm		Black	495
21778	5	20mm	21mm	8.5		Black	522
21779	7	10mm	11mm	6.3mm		Black	491
21780	7	9mm	7mm	5mm		Black	490
21781	5	20mm	16mm	6.3mm		Black	521
21807	1	18mm	14mm	8mm		Black	509
21810	1	22mm	14mm	6.3mm		Black	525
21811	8	20mm	10mm	8mm		Black	517
21812	Misc.	20mm	13mm	8mm		Black	519
21849	4	13mm	15mm	5.5mm		Black	496
21856	4	20mm	12mm	10mm		Black	518
21858	5	18mm	14mm	6mm		Black	509
21859	7	16mm	11mm	8mm		Black	502
21860	4	22mm	14mm	13mm		Black	525
21875	5	12.5mm	9mm	6mm		Black	494
21876	3	18mm	18mm	9mm		Black	511
21881	7	10mm	12mm	6.3mm		Black	491
21882	5	12mm	14mm	6mm		Black	494
21883	5	20mm	14mm	8mm		Black	520
21898	8	17.5mm	9mm	6mm		Black	505
21935	4	12mm	10mm	6mm		Black	493
21967	7	8mm	7mm	3.5mm		Black	490
21968	7	8mm	8mm	4mm		Black	490
21969	7	16mm	10mm	6mm		Black	501
21970	7	13mm	10mm	6mm		Black	495
21971	7	16mm	14mm	9mm		Black	503
21972	7	10.5mm	6mm	6mm		Black	492
21973	Misc.	20mm	10mm	6mm		Tan	517

\*Not including the pin



# PUSH-TYPE RETAINER SPECIFICATION CHART



Part No.	Type	Head Diameter	Stem Length	Fits in Hole Size	Shoulder Length	Color	Page No.
21989	7	11mm	7mm	7mm		Black	492
21990	5	15mm	8mm	7mm		Black	497
22039	4	16mm x 19mm	12mm	8mm		Black	518
22041	3	14mm x 21mm	16mm	8mm		Black	532
22047	4	25mm	9mm*	8mm		Gray & Black	527
22049	2	18mm	20mm	9mm		Black	511
22052	5	20mm	17mm	6.3mm		Black	521
22058	8	14mm	9mm	7mm		Black	496
22068	4	20mm	13mm	8.5mm		White	519
22069	4	20mm	13mm	8.5mm		White	519
22072	4	38mm	32mm	22mm		Black	531
22077	1	18mm	9mm	9mm		Black	507
22083	4	16mm	10mm	8mm		Black	501
22095	7	22mm	13mm	8mm		Black	525
22100	4	20mm	12mm	8.5mm		Black	519
22101	7	22mm	12mm	7.5mm		Black	525
22112	4	20mm	13mm	8.5mm		Black	519
22125	4	10mm	10mm	5mm		Black	491
22126	6	19mm	28mm	9mm		Black	514
22155	7	13mm	13mm	8mm		Black	495
22160	8	15mm	10mm	7mm		Black	498
22177	Misc.	16mm	13mm	9mm		Yellow & White	502
22178	4	13mm	10mm	7mm		Black	495
22181	4	18mm	10mm	8mm		Black	507
22199	1	15mm	12mm	6.3mm		Black	498
22201	5	12.5mm	12mm	8.5mm		Black	494
22219	3	18mm	23mm	7.5mm		Black	512
22227	3	18mm	20mm	7mm		Black	511
22230	8	10mm	8.5mm	5mm		Black	490
22234	Misc.	16mm	11mm	8mm		Black	502
22238	5	10mm	11mm	5mm		Black	491
22248	5	19mm	12mm	8mm		Black	513
22253	5	18mm	14mm	8mm		Black	509
22256	1	24mm	12mm	12mm		Black	526
22270	4	20mm	10mm	8mm		Black	517
22280	10	10mm	11mm	5mm		Black	498
22282	8	22mm	25mm	8mm		Gray	526
22284	6	25mm	24mm	8.5mm		Black	528
22299	2	20mm	26mm	9.5mm		Black	523
22303	1	12mm	13mm	7mm		Black	494
22306	5	20mm	10mm	8mm		Black	517
22339	1	30.5mm	17mm	8.5mm		Black	531
22347	3	15mm	21mm	8mm		Black	500
22349	3	14mm	18mm	8mm x 11mm		Black	497
22354	3	18mm	18mm	7mm		Black	510

\*Not including the pin

## TOOLS & TRUCK SEAT SPRINGS

### 15301

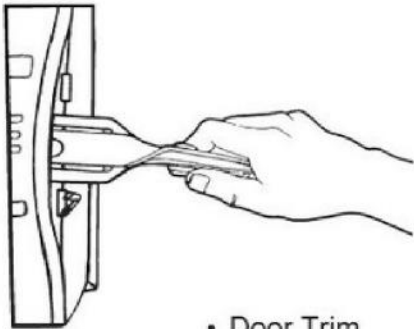
#### Clip Removal Tool

*Photos not actual size*

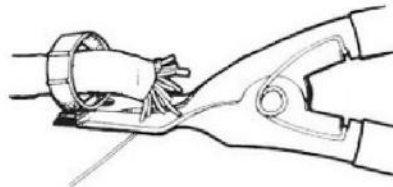
The right tool for removing clips and retainers quickly and easily. Simply seat the tool on the shaft of the fastener and squeeze the handles together.

Made of high carbon steel and heat treated for strength. Zinc plated with vinyl molded handle grips.

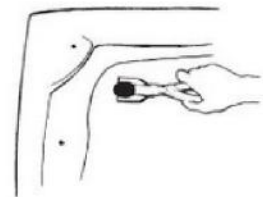
UNIT PACKAGE: 1



• Door Trim



• Wiring Stays

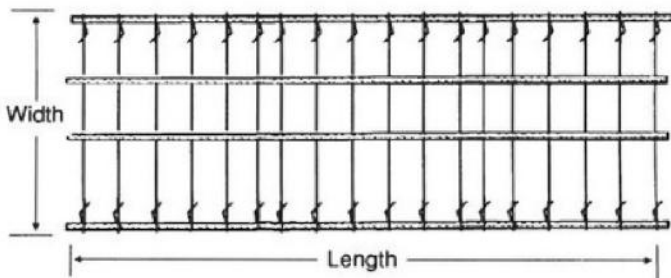


• Hood Insulation

## Truck Seat Springs

### 16213

(E0TB-1063-226AC,  
E3TB-1063-226AA)



*Photo not actual size*

Length: 52"

Width: 16-3/4"

Number of Wires: 52

Ford Full Size Pick-Ups &  
Light Truck 1980-On

UNIT PACKAGE: 5

## Wire Bending Tool

### 16894



*Photo not actual size*

For truck seat springs

A tough tool that makes difficult wire repairs easy. You can bend the ends of no sags, edgewise and foam springs right on the spot, making offsets where you need them. Can be readily mounted in a vise for duplicating complex repetitive wire bends. Constructed of heat-hardened steel for long life.

UNIT PACKAGE: 1