

# BESTRONG

 bestrongworld  bestrongworld  usa.bestrong.com  usa@bestrong.com



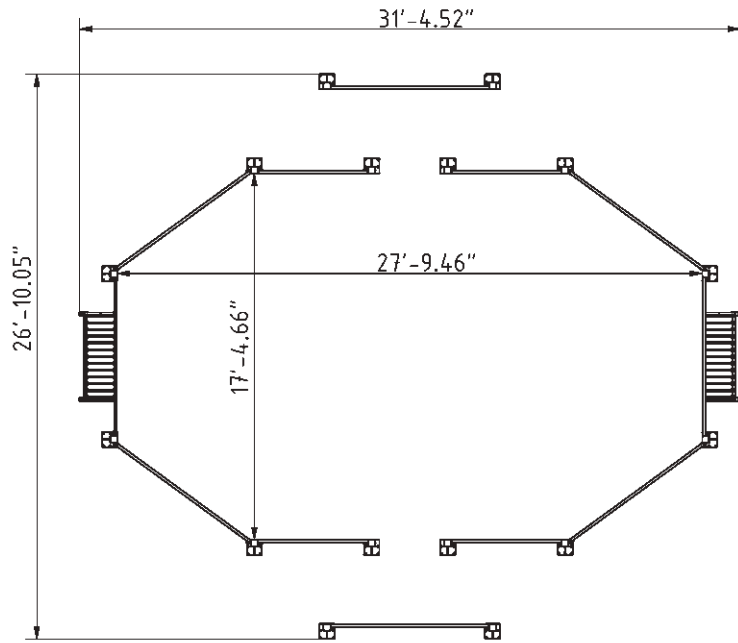
## Ellipse

The BeStrong Panna Ellipse is a uniquely designed sports structure crafted for engaging Panna Football games. Standing at a fence height of 6'-6.84", this elliptical arena ensures a safe and exciting playing environment for both one-on-one and two-on-two matches.

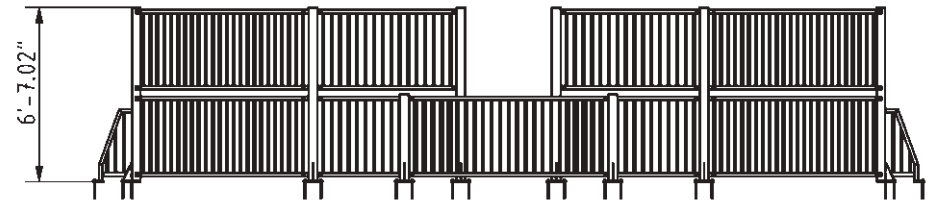
## Attributes

Product code	4-3-036
Certificate	EN 15312
Age group	3 + years
Type	PANNA
Total area	842 ft <sup>2</sup>
Playing area	483 ft <sup>2</sup>

## Plan View



## Side View



### Equipment

Panna Goals

2 units

### Technical specification

Anchoring option  
 Net weight  
 Material  
 Anti-corrosion possibility  
 Fence height  
 Color options

Surface mounted  
 2079 lbs  
 S235  
 Galvanized or EPD  
 6'-6.74"



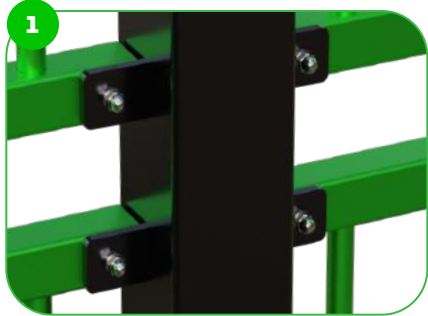
### Warranty

Structure	25 years
Steel	15 years
Paint	2 years
Plastic	5-10 years
Rubber	1-3 years
Moving parts	2 years

For custom solutions, discuss with your sales representative.

For more color options, discuss with your sales representative.

Detailed information in the warranty document



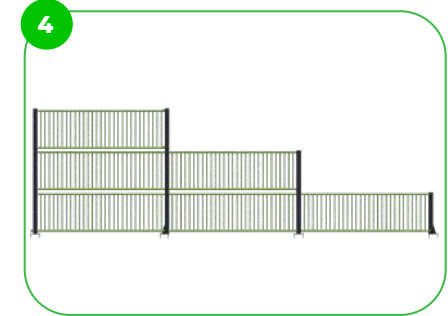
The MUGA is made of high-quality S235 steel, featuring vandal-proof stainless steel screws and nuts. It undergoes sandblasting for cleaning and receives a corrosion-resistant powder coating finish. Additionally, a galvanized surface option is available for enhanced protection and longevity.



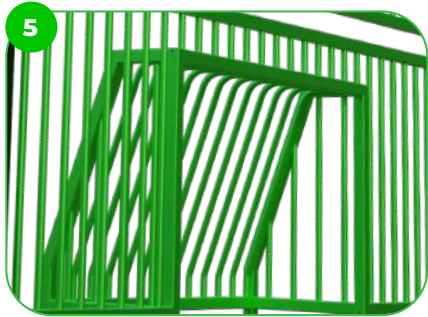
Our MUGA features reinforced base plates fixed to a concrete base, ensuring stability and durability. This design can withstand intense sports activities, maintaining its structural integrity due to the solid foundation provided by the concrete base and the added strength of the reinforced base plates.



Our MUGA's post ends are sealed with injection moulded plastic, enhancing durability and safety. This feature ensures a smooth finish, reducing wear and tear while providing additional protection against elements.



BeStrong MUGA's are designed in a modular system, offering easy customization of fence height/width, goal numbers, basketball hoops, and entrances. Tailored to your needs, they adapt to various sports activities, providing flexibility and creativity in shaping your sports area.



The MUGA small Panna Goals are compact and measure 4'-2"x2'-4". They are designed specifically for Panna games providing an ideal size for fast-paced, small-sided matches. These goals are perfect for both recreational play and organised tournaments. Their sturdy construction ensures durability and long-lasting performance, making them a great addition to any MUGA.



The entrance panel is designed to prevent the ball from leaving the playing area. With its appropriate length and positioning, it acts as a barrier ensuring that the ball remains within the designated game space while maintaining the aesthetic appeal of the arena.

# BESTRONG

 [bestrongworld](https://www.facebook.com/bestrongworld)  [bestrongworld](https://www.instagram.com/bestrongworld)  [usa.bestrong.com](https://www.usa.bestrong.com)  [usa@bestrong.com](mailto:usa@bestrong.com)



Sport and fitness products are compliant with the EN15312 and ASTM Standards.