



# DRIVEN TOWARD THE FUTURE.

BMW i.

Each BMW comes with the reputation of being the Ultimate Driving Machine; that's something that will never change. But how we achieve that performance is always evolving, and that's where BMW i comes in. Built in a completely sustainable factory, utilizing advanced lightweight components and relying on hybrid powertrains for both enhanced fuel economy and performance, the BMW i3 and i8 showcase the future of driving, available today.



# THE ULTIMATE MISSION STATEMENT.

The BMW i8 is the BMW for tomorrow, built today. It's sleek bodywork cuts a sharp profile through the air for enhanced aerodynamics and efficiency. An advanced carbon-fiber-reinforced-plastic chassis provides sharp reflexes while keeping weight to a minimum. And what truly sets the BMW i8 apart? It's combined gas and electric powertrain, which provides a shot of adrenaline with 420 lb-ft of torque while getting 76 MPGe. It all adds up to an exotic car that redefines what exotic truly means.



BMW i8

EXTERIOR COLORS

UPHOLSTERY

WHEELS / TIRES

WORLDS

TECHNICAL DATA



## CHARGE FAST AT HOME AND ON THE ROAD.

The BMW i8 can be fully recharged in just 2.5 hours using a Level 2 charging station. You can install a BMW Home Charging Station through the BMW Installation Services program. On the road, a ChargeNow<sup>®</sup> card comes with your vehicle to access more than 28,000+ U.S. charging stations.



## CONNECTIVITY IS CLOSE AT HAND.

To make every journey an efficient one, you can use the integrated BMW Connected App to sync your BMW i8 to your smartphone, Apple Watch® and other mobile devices. Check your battery's state of charge, configure automatic charging times, set a comfortable cabin temperature through preconditioning, and even sync destinations – all before opening the doors.



# The BMW i8

# EXTERIOR COLORS



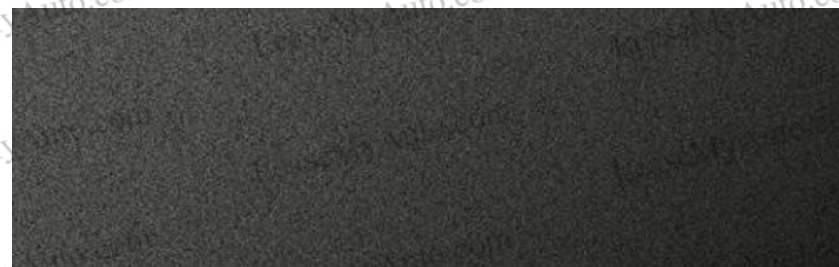
**B96** Crystal White Pearl Metallic /  
BMW i Frozen Gray accent



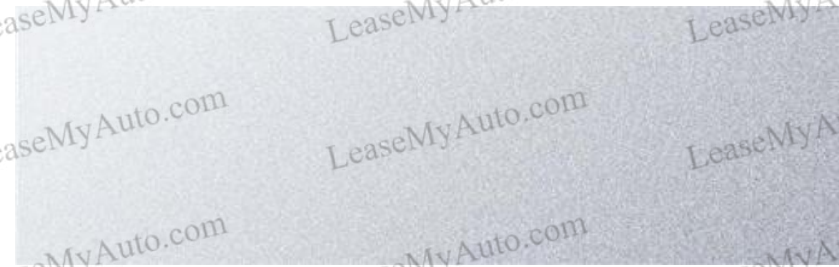
**C22** Sophisto Gray Metallic /  
BMW i Frozen Gray accent



**B97** Crystal White Pearl Metallic /  
BMW i Frozen Blue accent



**C23** Sophisto Gray Metallic /  
BMW i Frozen Blue accent



**B72** Ionic Silver Metallic /  
BMW i Frozen Blue accent



# The BMW i8

# UPHOLSTERY

## NATURAL LEATHER / CLOTH



**NFCJ** Mega Carum Spice Gray Leather / Cloth



**NKFD** Tera Exclusive Dalbergia Brown Full Natural Leather / Carum Spice Gray Cloth

## FULL PERFORATED LEATHER



**NGEK** Giga Ivory White Full Perforated Leather



**NGHA** Giga Amido Black Full Perforated Leather

Leather: Leather on all seating surfaces; other components may be Leather or SensaTec.



# The BMW i8

## WHEELS / TIRES



**BMW i W-Spoke light alloy wheels (Style 470)**  
20 x 7.5 front, 20 x 8.5 rear; and 215/45 front,  
245/40 rear performance tires<sup>1,2,3</sup>



**BMW i Turbine light alloy wheels (Style 625)**  
20 x 7.5 front, 20 x 8.5 rear; and 215/45 front,  
245/40 rear performance tires<sup>1,2,3</sup>

<sup>1</sup> Do not come equipped with a spare wheel and tire.

<sup>2</sup> Driving over rough or damaged road surfaces, as well as debris, curbs and other obstacles, can cause serious damage to wheels, tires and suspension parts. This is more likely to occur with low-profile tires, which provide less cushioning between the wheel and the road. Be careful to avoid road hazards and reduce your speed, especially if your vehicle is equipped with low-profile tires.

<sup>3</sup> Performance tires include Mobility Kit and increased top-speed limiter; not recommended for driving in ice and snow conditions.

Get the latest information on standard and optional features, packages and technical specifications. Visit [bmwusa.com](http://bmwusa.com) and select the BMW model of your choice.



# The BMW i8

# WORLDS

## **GIGA WORLD**

20-inch Turbine wheels (Style 625)  
(option available)

LED Headlights with Cornering Lights

Giga Ivory White Full Perforated Leather  
(option available)

## **TERA WORLD**

BMW i brake calipers in high-gloss black

20-inch Turbine wheels (Style 625)  
(option available)

Leather engine cover

Anthracite headliner

BMW i Blue seat belt

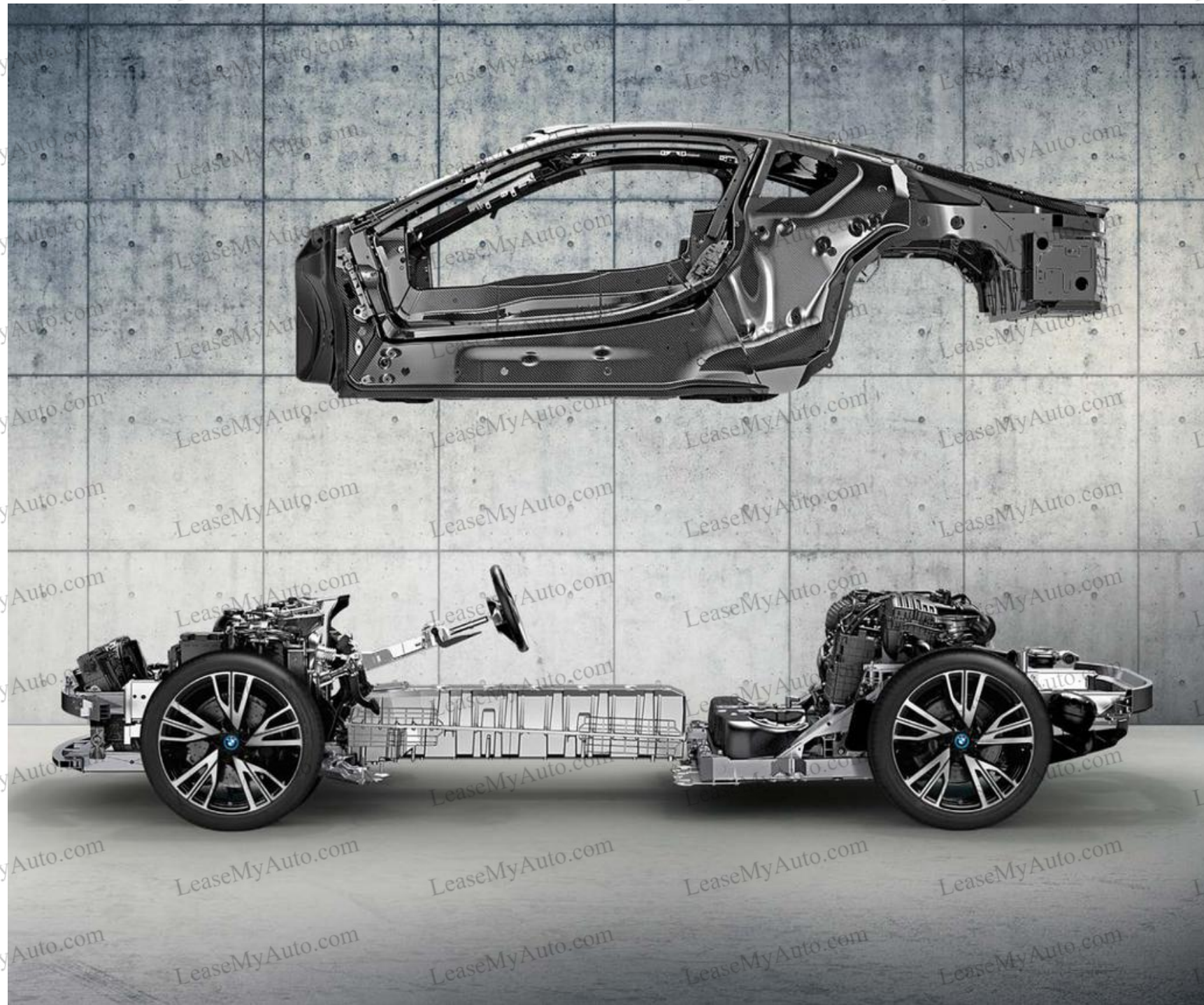
LED Headlights with Cornering Lights

Tera Exclusive Dalbergia Brown / Cloth



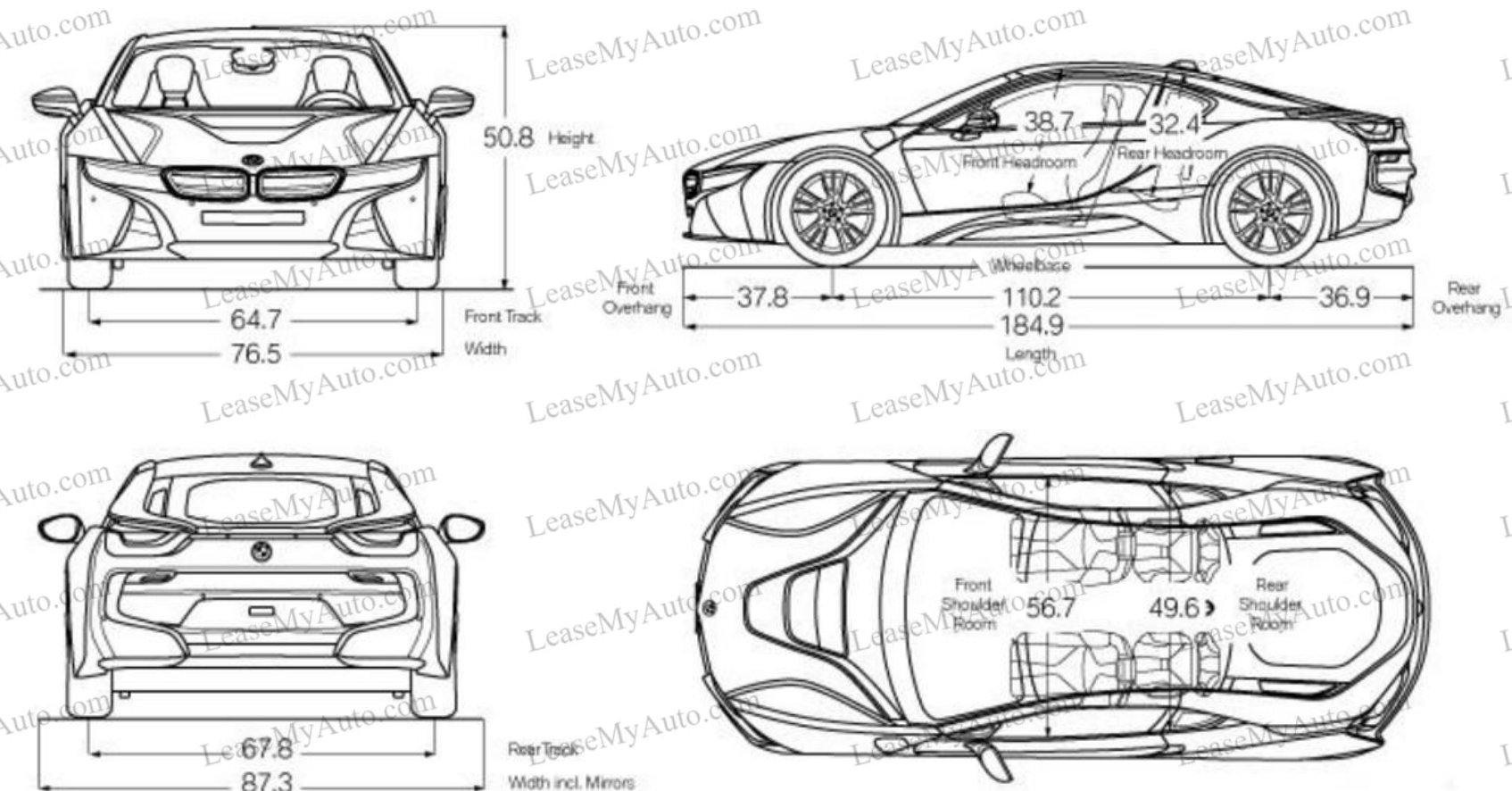
# The BMW i8

# TECHNICAL DATA



ENGINES	1.5-liter TwinPower Turbo 3-cylinder + eDrive electric motor
COMBINED OUTPUT (BATTERY + ENGINE)	357 hp / 420 lb-ft
0-60 MPH (sec) <sup>1</sup>	4.2
COMBINED MPG / MPGe	28 / 76

All dimensions in technical drawings are given in inches.



Figures subject to change. Please visit your BMW Retailer or [bmwusa.com](http://bmwusa.com) for the most up-to-date information.

<sup>1</sup>BMW AG preliminary test results. Actual acceleration results may vary, depending on specification of vehicle; road and environmental conditions; testing procedures and driving style. These results should be used for comparison only and verification should not be attempted on public roads. BMW urges you to obey all posted speed laws and always wear safety belts.

Get the latest information on standard and optional features, packages and technical specifications. Visit [bmwusa.com](http://bmwusa.com) and select the BMW model of your choice.

X Close

# ENVIRONMENTALLY FUN-LY.

The BMW i3 provides UltimateDriving Machine® pleasure with every high-efficiency mile. This latest version has a 114-mile range on a full charge, 40 percent more than the previous model. The Range Extender version goes even farther – up to 180 EPA estimated miles. Brisk acceleration is felt inside a cockpit that bristles with innovative design and sumptuously sustainable materials throughout.



BMW i3

[EXTERIOR COLORS](#)

[UPHOLSTERY / INTERIOR TRIMS](#)

[WHEELS / TIRES](#)

[PACKAGES / WORLDS](#)

[TECHNICAL DATA](#)



## WHAT'S UP? ASK YOUR APP.

To make every journey an efficient one, you can use the integrated BMW Connected App to check your battery's state of charge, configure automatic charging times, set a comfortable cabin temperature through preconditioning and even sync destinations – all before getting behind the wheel.



## GET A CHARGE – HOME AND AWAY.

The BMW i3 can be fully recharged in just 4.5 hours using a Level 2 charging station. Get up to an 80 percent charge in approximately 30-40 minutes with a DC Combo Fast Charging. At home, you can install a Level 2 BMW Home Charging Station through the BMW Installation Services program. On the road, you can use the ChargeNow<sup>®</sup> card that comes with your vehicle to access more than 28,000+ U.S. charging stations, including a growing number of DC Combo Fast Chargers.



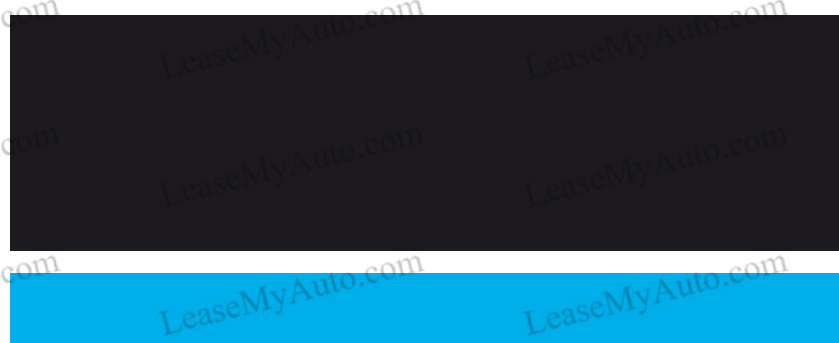
# The BMW i3

# EXTERIOR COLORS

## NON-METALLIC



**B85** Capparis White / BMW i Frozen Blue accent  
(Non-metallic)



**C2W** Fluid Black / BMW i Frozen Blue accent  
(Non-metallic)

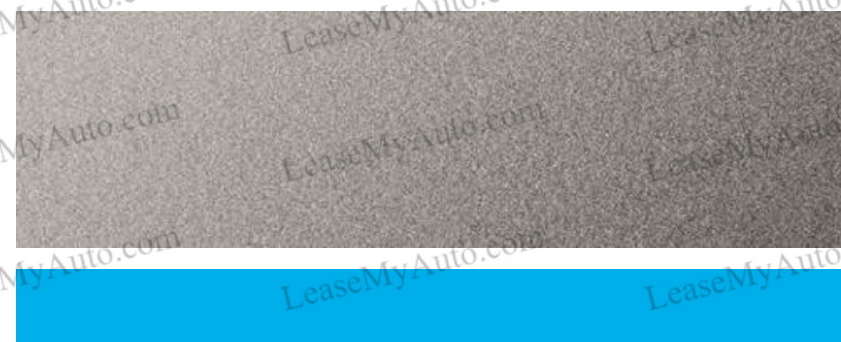
## METALLIC



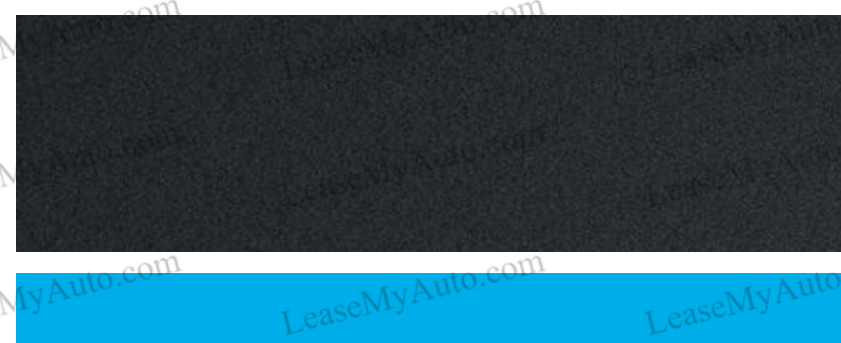
**B72** Ionic Silver Metallic /  
BMW i Frozen Blue accent



**C01** Protonic Blue Metallic/  
BMW i Frozen Gray accent



**C2U** Platinum Silver Metallic/  
BMW i Frozen Blue accent



**C2V** Mineral Gray Metallic/  
BMW i Frozen Blue accent

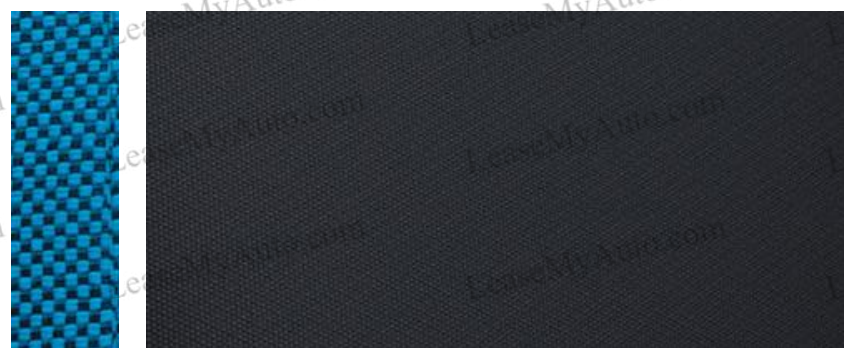
Get the latest information on standard and optional features, packages and technical specifications. Visit [bmwusa.com](http://bmwusa.com) and select the BMW model of your choice.



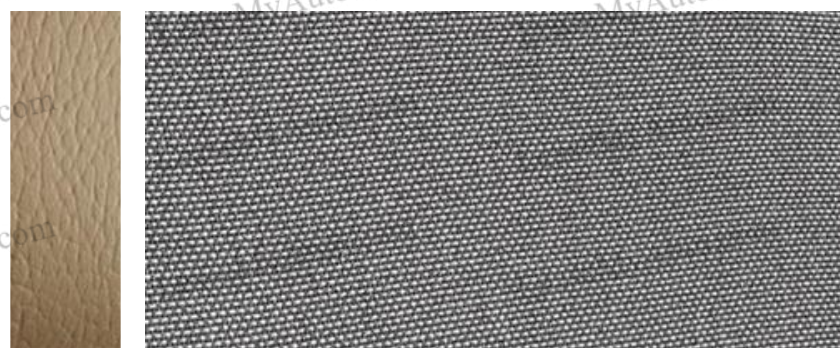
# The BMW i3

# UPHOLSTERY / TRIMS

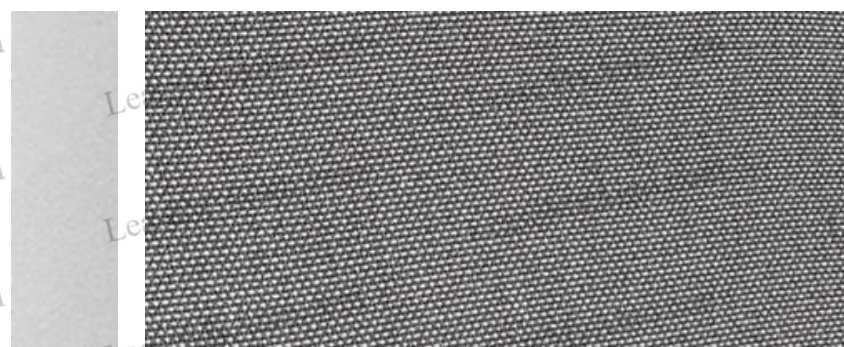
## UPHOLSTERY



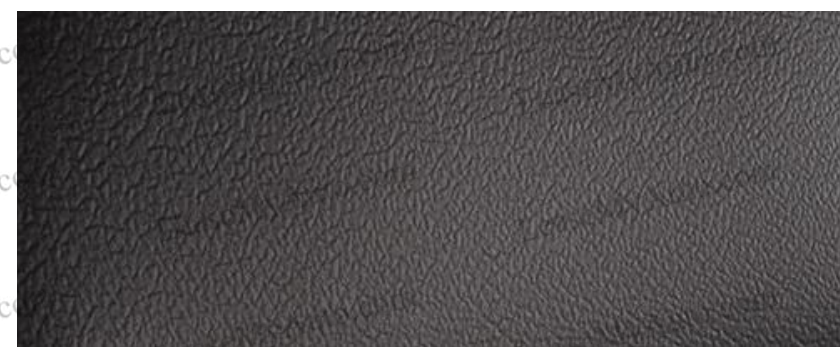
**BHGI** Deka Dark Cloth



**NHFC** Giga Cassia Natural Leather/  
Carum Spice Gray Wool Cloth



**BKCI** Mega Carum Spice Gray SensaTec /  
Carum Spice Gray Cloth



**NLFT** Tera Dalbergia Brown full Natural Leather

Leather: Leather on all seating surfaces; other components may be Leather or SensaTec.

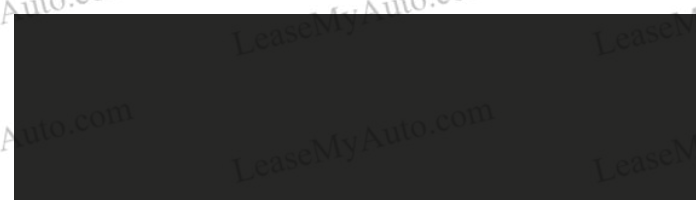
## INTERIOR TRIMS



**4EV** Light Eucalyptus Wood trim



**4EA** Dark Oak Wood trim



Andesite Dark Matte trim (Mega World)



# The BMW i3

# WHEELS / TIRES



## **BMW i Turbine light alloy wheels (Style 428)**

19 x 5.0 front, 19 x 5.5 rear; and 155/70 front,  
175/60 rear all-season tires<sup>1,2,3</sup>

## **BMW i Turbine light alloy wheels (Style 429)**

19 x 5.0 front, 19 x 5.5 rear; and 155/70 front,  
175/60 rear all-season tires<sup>1,2,3</sup>

## **BMW i Sport Double Spoke light alloy wheels (Style 430)**

20 x 5.0 front, 20 x 5.5 rear; and 155/60 front,  
175/55 rear performance tires<sup>1,2,3</sup>

<sup>1</sup> Do not come equipped with a spare wheel and tire.

<sup>2</sup> Driving over rough or damaged road surfaces, as well as debris, curbs and other obstacles, can cause serious damage to wheels, tires and suspension parts. This is more likely to occur with low-profile tires, which provide less cushioning between the wheel and the road. Be careful to avoid road hazards and reduce your speed, especially if your vehicle is equipped with low-profile tires.

<sup>3</sup> Performance tires include Mobility Kit and increased top-speed limiter; not recommended for driving in ice and snow conditions.

Get the latest information on standard and optional features, packages and technical specifications. Visit [bmwusa.com](http://bmwusa.com) and select the BMW model of your choice.



# The BMW i3

# PACKAGES / WORLDS

## PACKAGES

### **PARKING ASSISTANT PACKAGE**

Rear-view Camera  
Park Distance Control  
Parking Assistant

### **TECHNOLOGY + DRIVING ASSISTANT PACKAGE**

ACC with Stop & Go<sup>1,2</sup> +  
Active Driving Assistant<sup>1</sup>  
BMW Navigation system  
BMW Online and BMW Apps  
BMW Connected App Compatibility

## WORLDS

### **GIGA WORLD**

19-inch Turbine wheels (Style 428)  
(option available)  
Light Eucalyptus Wood trim  
(option available)  
Giga Cassia Natural Leather & Carum Spice Gray Wool Cloth

### **TERA WORLD**

19-inch Turbine wheels (Style 428)  
(option available)  
Dark Oak Wood trim  
(option available)  
Tera Dalbergia Brown Full Natural Leather Upholstery

### **MEGA WORLD**

19-inch Turbine wheels (Style 428)  
(option available)  
Light Eucalyptus Wood trim  
(option available)  
Mega Carum Spice Gray SensaTec and  
Carum Spice Cloth

<sup>1</sup> Active Driving Assistant is not a substitute for the driver's own responsibility in maintaining safe control of the vehicle.

<sup>2</sup> After evaluating the road, traffic and visibility conditions, the driver must decide whether and how Active Cruise Control is to be used.

Get the latest information on standard and optional features, packages and technical specifications. Visit [bmwusa.com](http://bmwusa.com) and select the BMW model of your choice.



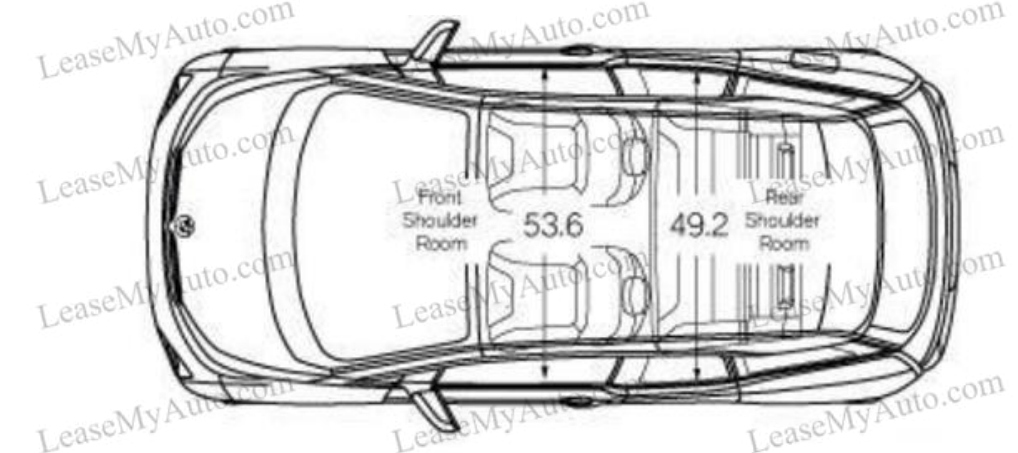
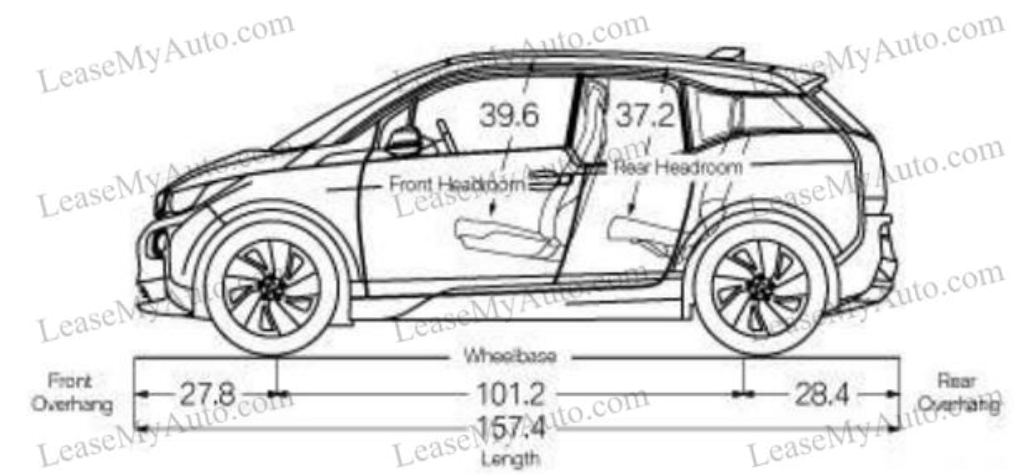
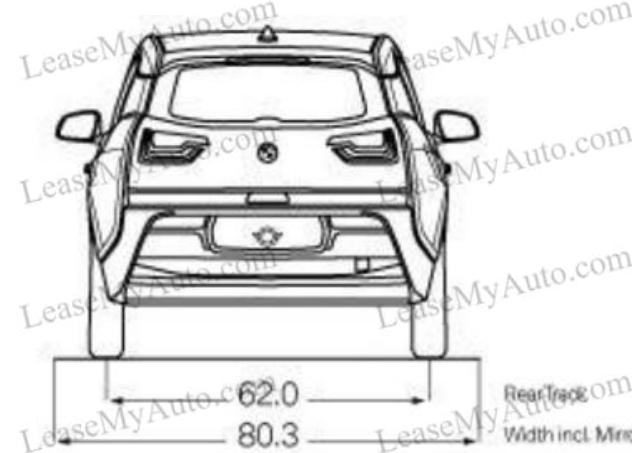
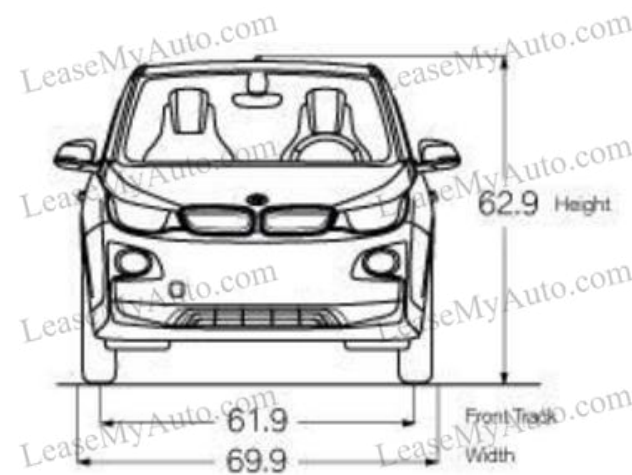
# The BMW i3

# TECHNICAL DATA



	<b>BMW i3</b>	<b>BMW i3 with Range Extender</b>
ENGINE	All-electric	All-electric + 2-cylinder gasoline engine
OUTPUT @ RPM	170 hp @ 4800 / 184 lb-ft from 0	170 hp @ 4800 / 184 lb-ft @ 0
0-60 MPH (sec) <sup>1</sup>	7.2	8.0
CITY / HIGHWAY / COMBINED MPGe	129/106/118	35 MPG / 111 MPGe

All dimensions in technical drawings are given in inches. Dimensions shown apply to i3.



Figures subject to change. Please visit your BMW Retailer or [bmwusa.com](http://bmwusa.com) for the most up-to-date information.

<sup>1</sup>BMW AG preliminary test results. Actual acceleration results may vary, depending on specification of vehicle; road and environmental conditions; testing procedures and driving style. These results should be used for comparison only and verification should not be attempted on public roads. BMW urges you to obey all posted speed laws and always wear safety belts.

Get the latest information on standard and optional features, packages and technical specifications. Visit [bmwusa.com](http://bmwusa.com) and select the BMW model of your choice.