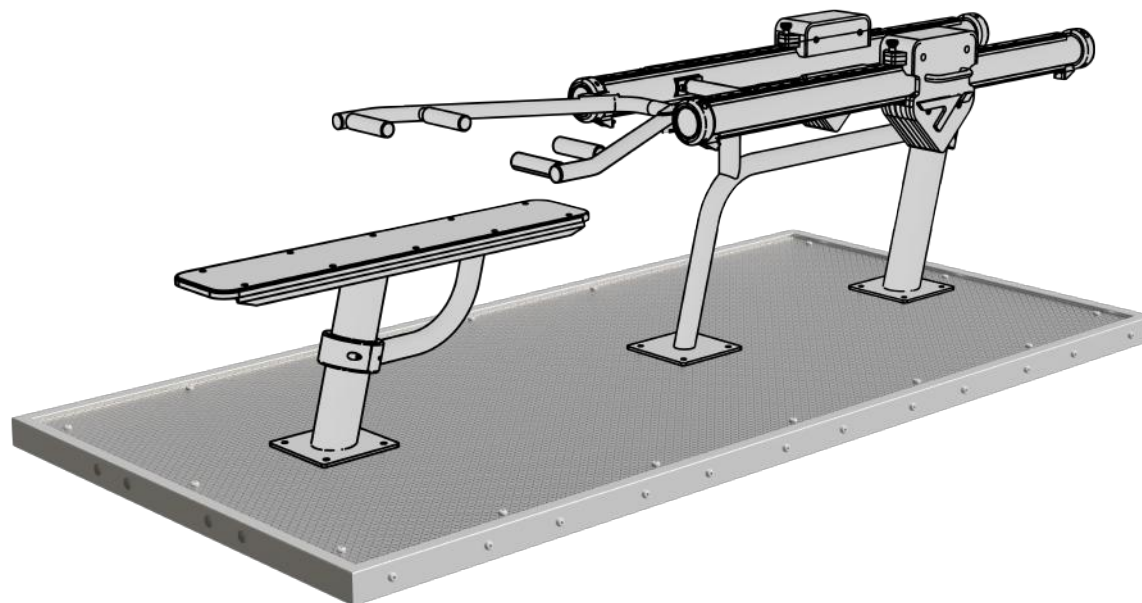


BESTRONG

 [bestrongworld](#)  [bestrongworld](#)  [global.bestrong.com](#)  info@bestrong.com

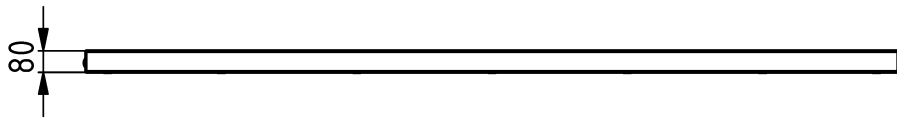


Mobile Platform

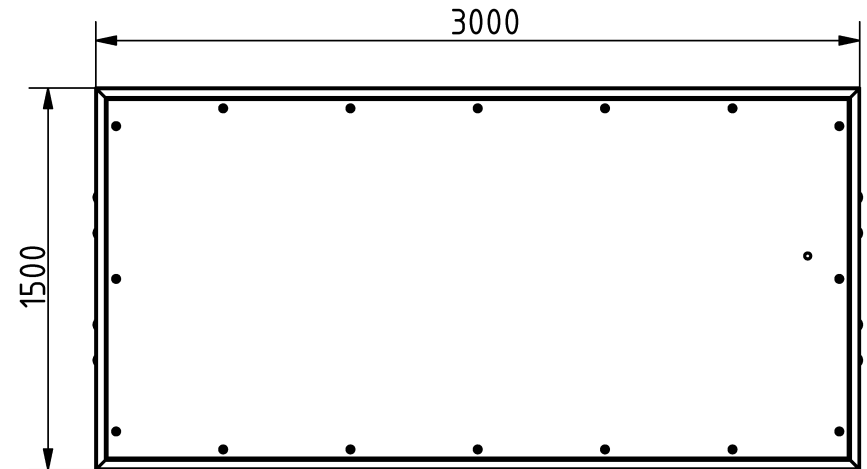
BESTRONG's mobile platform allows for quick installation on flat and hard ground, without foundation-work costs. The platform and the equipment mounted on it can be easily moved as a single unit by means of lifting attachable screw-hooks in the corners of the platform. The hot-dip galvanised steel frame provides outstanding corrosion resistance and durability, while the elegant non-slip aluminium plate surface ensures a stable and secure base even during intensive workouts.

The mobile platform can be ordered for the following devices: 1-1-319 Weighted Bench Press, 1-1-320 Weighted Low Row, 1-1-321 Weighted Bicep Curl, 1-1-322 Weighted Tricep Pull-down, 1-1-323 Weighted Squat Machine

Side View



Plan View



Technical specification

Safety surface area	Around 2.5 m radius
Net weight	178 kg
Material	S235,KO33
Critic fall height	-

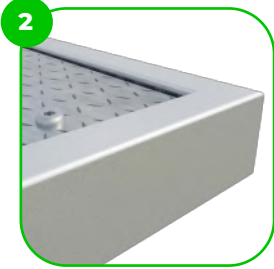
Warranty

Structure	25-15 years
Steel	5-10 years
Paint	2 years
Plastic	5-10 years
Rubber	1-3 years
Moving parts	2 years
Detailed information in the warranty document	

Material specification



The mobile platform is equipped with the highest quality 6.5/5 mm thick non-slip diamond plate.



The galvanized steel frame of the mobile platform provides outstanding corrosion resistance and durability.



The connecting elements are fastened with vandal-proof stainless steel screws and nuts.

