

READY FOR NEW

Adventures

GET OUT AND STAY HOME

Ranger

#herocamper



#HeroCamper™

DESIGNED & ASSEMBLED IN DENMARK



# WHO LIVES SEES MUCH - WHO TRAVELS SEES MORE

The revolutionary Hero Camper provides the setting for your next adventure. You set the destination, duration and pace. The result – a perfect Outdoor Living experience with comfort.

Model shown with options



# THE WORLD EXPLORERS

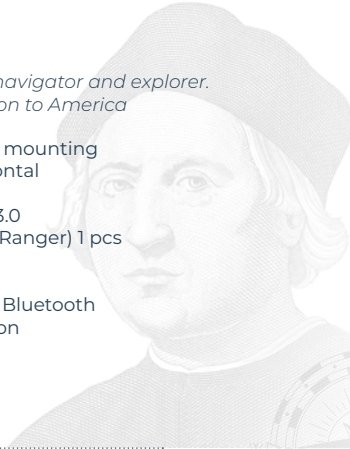
Inspired by some of our history's greatest world explorers, we have set up four different package solutions and named these after four world-known adventurers

## HERO RANGER

### *The Columbus*

*CHRISTOFFER COLUMBUS - Italian navigator and explorer. Leader of the first European expedition to America*

- Extra support leg for front chassis mounting
- 120W flexible solar panel kit horizontal
- Thule 5200 awning 3.0 m
- Sides and front for Thule awning 3.0
- Spare wheel side mount bracket (Ranger) 1 pcs
- Spare wheel (Ranger) 1 pcs
- Diamond fenders
- Cooling box compressor w. APP & Bluetooth
- Off road brackets for axle protection
- Privacy curtain
- Isabella kitchen tent

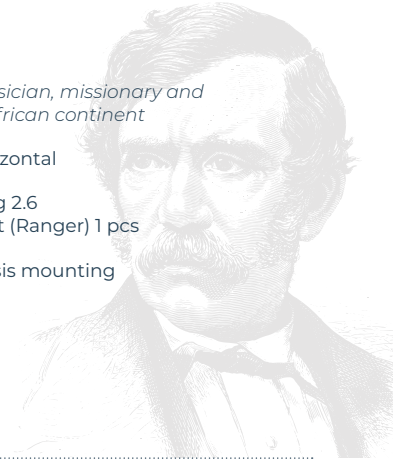


## HERO RANGER

### *The Livingstone*

*DAVID LIVINGSTONE - Scottish physician, missionary and explorer. Pioneer in exploring the African continent*

- 120W flexible solar panel kit horizontal
- Thule 5200 awning 2.6 m
- Sides and front for Thule awning 2.6
- Spare wheel side mount bracket (Ranger) 1 pcs
- Spare wheel (Ranger) 1 pcs
- Extra support leg for front chassis mounting

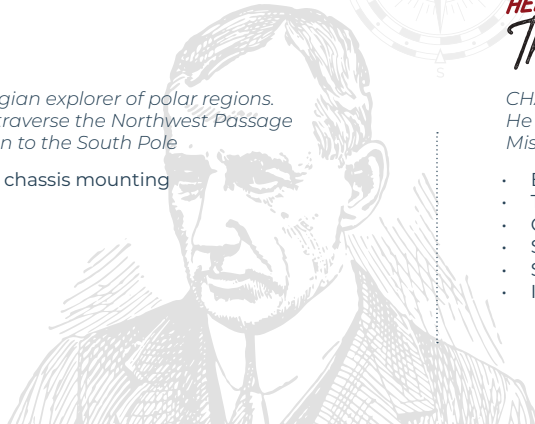


## HERO RANGER

### *The Amundsen*

*ROALD AMUNDSEN - Norwegian explorer of polar regions. He led the first expedition to traverse the Northwest Passage by sea, and the first expedition to the South Pole*

- Extra support leg for front chassis mounting

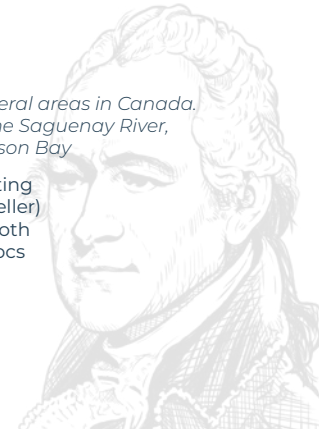


## HERO TRAVELLER

### *The Albanel*

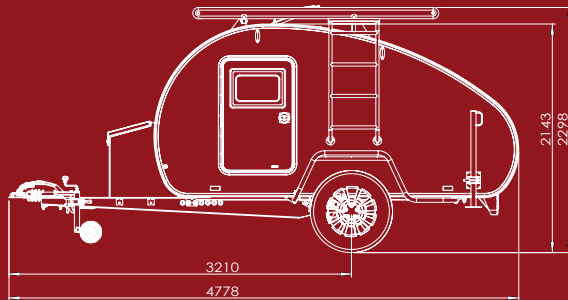
*CHARLES ALBANEL - French explorer of several areas in Canada. He led a French group of explorers across the Saguenay River, Mistassini Lake and Rupert River up to Hudson Bay*

- Extra support leg for front chassis mounting
- Thule bicycle carrier, light (standard Traveller)
- Cooling box compressor w. APP & Bluetooth
- Spare wheel chassis bracket (Traveller) 1 pcs
- Spare wheel (Traveller) 1 pcs
- Isabella kitchen tent



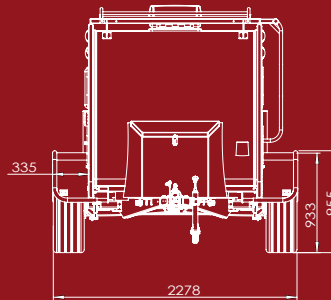
## HERO RANGER

Height	232 cm	Height	203 cm
Length	482 cm	Length	482 cm
Width	230 cm	Width	220 cm
Net weight	827 kg	Net weight	780 kg
Total weight	900 – 1,300 kg (optional)	Total weight	830 – 1,300 kg (optional)
Max. load	33 – 333 kg	Max. load	120 – 420 kg (optional)
Tires	265/65 R17 off-road tires	Tires	195/60 R15 road tires
Water tank	30 litres	Water tank	30 litres
Roof window	Included	Roof window	Included
Fully lockable	Yes	Fully lockable	Yes
Heating	Optional	Heating	Optional
Electricity	5V/12/230V (USB-charger inside cabin)	Electricity	5V/12/230V (USB-charger inside cabin)
Roof rack	Sky Mount	Roof rack	n/a



## HERO TRAVELLER

Height	203 cm
Length	482 cm
Width	220 cm
Net weight	780 kg
Total weight	830 – 1,300 kg (optional)
Max. load	120 – 420 kg (optional)
Tires	195/60 R15 road tires
Water tank	30 litres
Roof window	Included
Fully lockable	Yes
Heating	Optional
Electricity	5V/12/230V (USB-charger inside cabin)
Roof rack	n/a



## THE FACTS

The insulated cabin is fitted with a full-size mattress, shelves, drawers, ambient LED-lighting and much more. In the back – a fully equipped kitchen with mounted sink, fresh water tank and versatile cooking facilities.

Extra options – Ask your local dealer for prices on gas heater, solar panel, bike carrier, universal sports gear carrier, battery package, decorative foil (custom design) and awnings (Isabella & Thule).

## VIDEO & IMAGES



FIND YOUR LOCAL DEALER AT

[HEROCAMPER.COM](https://www.herocamper.com)