

SELECT PRO SURFACE MOUNTED DIGITAL KEYPAD QUICK EXIT

Specification Sheet

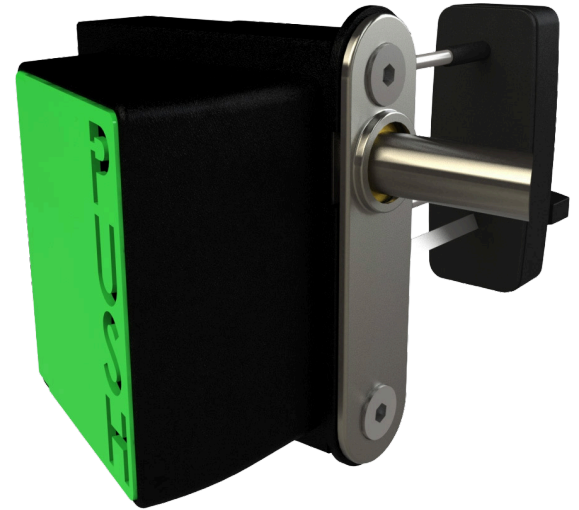
SBOEDGLW

FEATURES

- Corrosion-resistant: Built to withstand the elements, with a digital keypad on one side and a push-exit on the other this gate lock is suitable for wooden and metal gates.
- Auto-latching: Close the gate to automatically secure it as the latchbolt locks into the frame. To open, simply enter the code and turn the handle.
- Adjustable latchbolt: The latch extends 22mm and can be adjusted in length for the precise on-site fitting, ensuring a snug and reliable fit.

PRODUCT DETAILS

Product code	Description
SBOEDGLWL	Surface fixed quick exit, left hand
SBOEDGLWR	Surface fixed quick exit, right hand



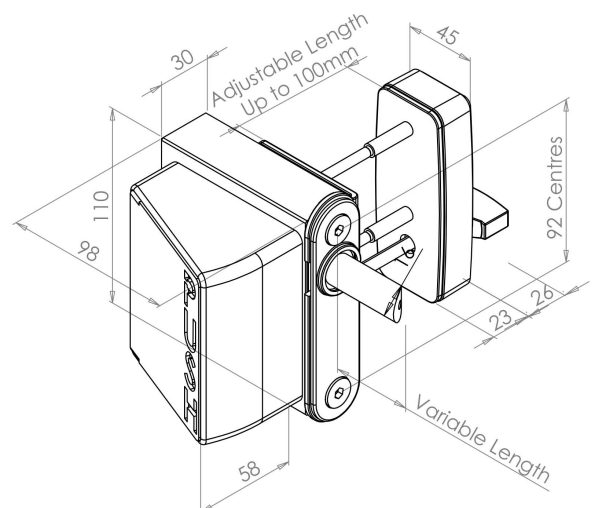
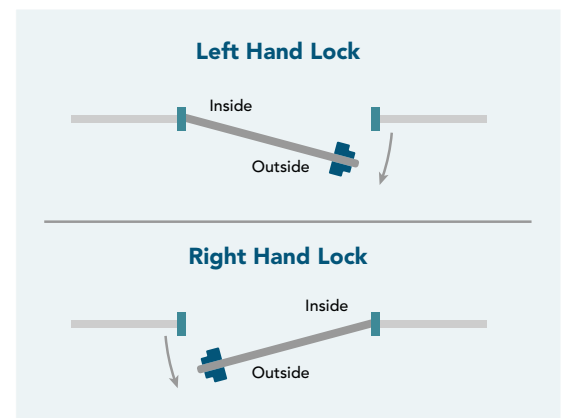
INCLUDED IN THE BOX

- 3 hex keys
- M8 fixing bolts
- Face plate
- Latchbolt
- Keep with fixings
- Gate bracket with fixings

INSTALLATION

1. Position angle bracket on edge of the gate (can overhang edge of gate by up to 15mm (9/16") if required to accommodate a gap between the gate and gate post) and mark 3 holes for the outside keypad fixing screws and spindle. Remove angle bracket and drill 3 holes 9.0mm (3/8") diameter through the gate.
2. Cut the 2 x M5 screws and the spindle to length to suit the gate thickness. M5 screws should be cut to gate thickness size, less 16mm (5/8"). The spindle should be cut to gate thickness plus 50mm (2").
3. Fit the outside keypad and angle bracket using M5 screws and insert spindle (Ensure spindle is not binding on the gate).
4. Fix angle bracket securely using screws through the remaining 2 countersunk holes.
5. Position lock on to the spindle and fix to the angle bracket using 2 x M8 countersunk screws.
6. Test the lock to check it operates freely.
7. Fix the strike plate to the gate post.

ADJUSTMENT To adjust latchbolt length insert 3mm long arm hex key (supplied) into end of bolt and release locking screw. Rotate bolt as required and re-tighten locking screw. Lubricate with light oil periodically.



SELECT PRO SURFACE MOUNTED DIGITAL KEYPAD QUICK EXIT

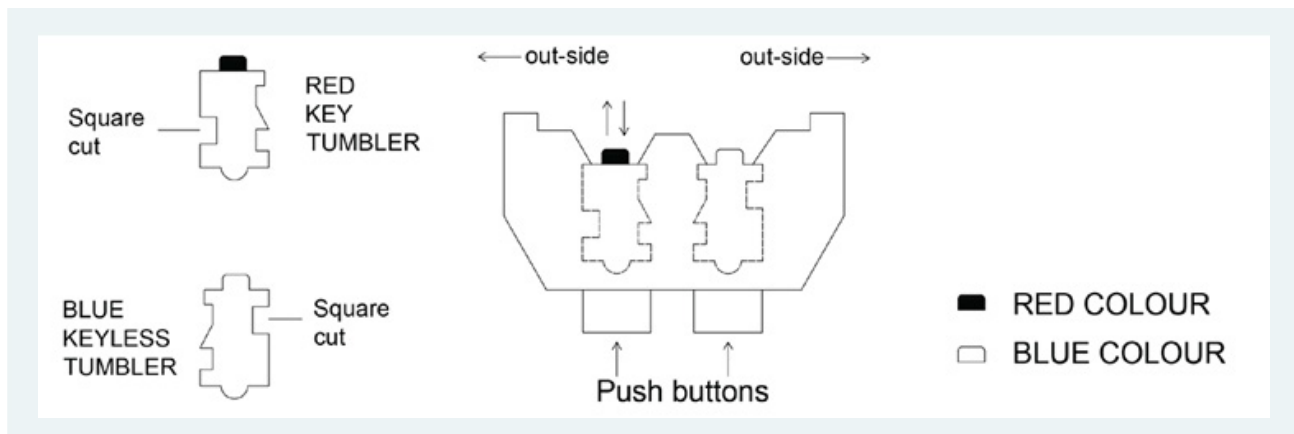
Specification Sheet

SBQEDGLW

LOCK CODE: C

TO CHANGE THE CODE

1. Check the original code is working on both keypads
2. For standalone keypad: remove rear black plate from keypad using flat screwdriver or similar tool as seen below. For DGLW double sided locks - to remove the keypad attached to the lock: Left handed lock - Slide out the internal lock mechanism and the keypad can be removed by accessing the screws through the inside of the lockcase. Right handed lock – Insert a flat screwdriver into the hole in the forend plate and lever out the keypad retaining plate (see image opposite). This will release the keypad. Turn the keypad over and remove the 4 red screws.
3. Lift off the covering panel. Be careful as there are 10 springs attached to this panel. Note that the red tumblers relate to the code shown above. Also note that the C tumbler is uncoloured and should not be removed.
4. To change the code hold the keypad with the code buttons down and depress and hold the C button (if this is not done you may damage some of the internal components). Reposition the tumblers to the new code (red tumblers are coded and blue tumblers are uncoded). Ensure that the square cut-out on each tumbler is facing the outside of the lock body, also ensure that the coloured mark is facing upwards as pictured below. If any one tumbler is upside down or the wrong way round the lock will not work and if forced will break the internal components. The code must always start with a 'C'.



5. Replace the covering panel and tighten the 4 red screws.
6. The code is now changed, check to see that it is working correctly and make a note of the code for future reference. Once satisfied that the lock is working correctly refit keypads to the lock case.

MAINTENANCE

3 Monthly:

1. Remove keypads from the lock.
2. Spray the inside of the lock thoroughly with WD40 or equivalent, through the tumbler holes at the back of the lock.
3. Spray all the fixing accessories and the latch with WD40 or equivalent.
4. Push each of the buttons and rotate the knob several times to make sure the lock is working smoothly.