



Telehandler

# T 144 H PLUS



## TECHNICAL DATA

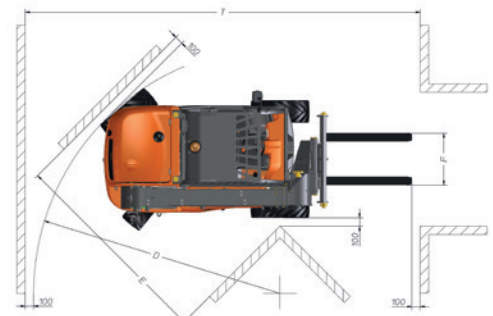
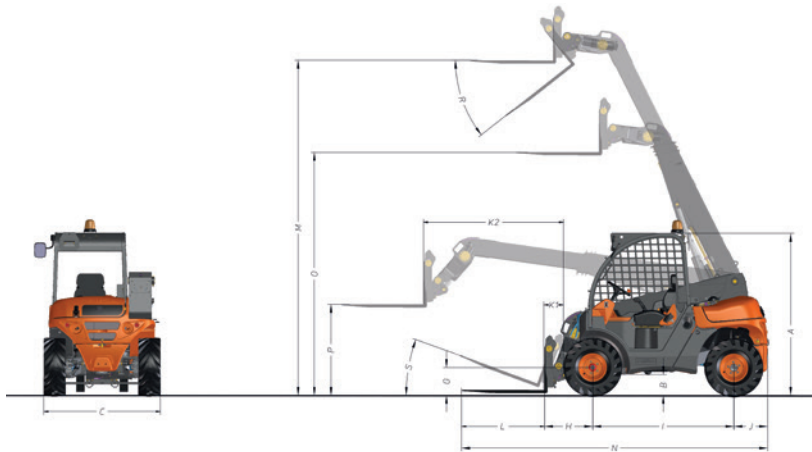
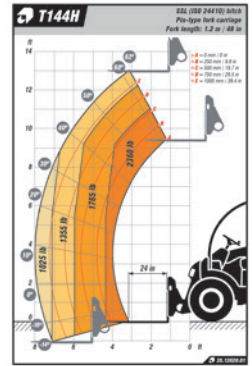
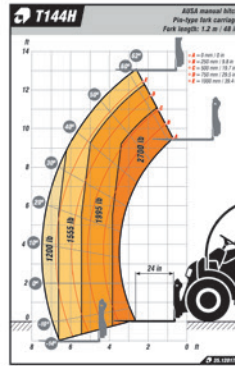
| GENERAL                           |         | T 144 H PLUS   |
|-----------------------------------|---------|--|
| Load capacity                     | lb      | 3,000  |
| Load capacity at maximum height   | lb      | 1,700  |
| Maximum height                    | ft      | 13.1   |
| Maximum height under maximum load | ft      | 11.4   |
| Maximum reach                     | ft      | 5.51   |
| Maximum load at maximum reach     | lb      | 1,279  |
| Unladen weight *                  | lb      | 5,300  |
| Transmission                      | -       | Hydrostatic auto control   |
| <b>ENGINE</b>                     |         |  |
| Make                              | -       | KUBOTA   |
| Model                             | -       | V1505-E4B  |
| Power                             | hp      | 24.8   |
| Torque                            | Nm@rpm  | 92,6@1,700   |
| No. cylinders                     | -       | 4  |
| Emissions                         | -       | Stage V / EPA Tier4  |
| Ambient noise                     | dB(A)   | 103  |
| <b>DRIVING</b>                    |         |  |
| Maximum speed                     | mph     | 10.5   |
| Gradeability under full load      | %       | 26   |
| Traction                          | -       | 4x4  |
| Front tyres                       | -       | 11.0/65x12   |
| Rear tyres                        | -       | 11.0/65x12   |
| <b>HYDRAULIC SYSTEM</b>           |         |  |
| Flow rate                         | gal/min | 5  |
| Working pressure                  | psi     | 3,480  |
| <b>TANK CAPACITY</b>              |         |  |
| Fuel                              | gal     | 14.5   |
| Hydraulic                         | gal     | 8.4  |
| <b>BRAKES</b>                     |         |  |
| Service                           | -       | Hydrostatic - Retention  |
| Parking                           | -       | Mechanically applied hydraulically released inside the hydrostatic motor |

\* It may change due to optional equipment

# DIMENSIONS

AUSA carriage

Universal & EURO8 carriage



| DIMENSIONS (in) | T 144 H PLUS |
|-----------------|--------------|
| A               | 76.77        |
| B               | 9.92         |
| C               | 55.31        |
| D               | 117.40       |
| E               | 97.67        |
| F               | 39.96        |
| G               | 13.18        |
| H               | 22.83        |
| I               | 66.92        |
| J               | 15.94        |
| K1              | 8.97         |
| K2              | 66.22        |
| L               | 39.37        |
| M               | 158.89       |
| N               | 145.07       |
| O               | 115.27       |
| P               | 43.07        |
| R               | 38°          |
| S               | 20°          |
| T               | 186.22       |



[www.ausa.com](http://www.ausa.com)

Products are subject to modifications without prior notice. Images throughout the spec sheet may refer to non-standard machines or non-available configurations depending on models.

AUSA's logo and corporate identity are property of the Company, they cannot be used without authorization.

