



# PRODUCT CATALOGUE

## SAUNA and STEAM





S  
A  
W  
O

# Table of Contents

## Sauna Heaters

Tower Series .....	1	Stone Series .....	67
SAWO30 Heaters .....	2	Nimbus .....	68
Tower Heaters .....	10	Nimbus Combi .....	69
Aries Heaters .....	18	Cumulus .....	70
Cubos .....	26	Heater Accessories .....	71
Phoenix .....	29	<b>Sauna Controls .....</b>	<b>72</b>
Heaterking .....	31	SAWO Sense .....	73
Fiberjungle .....	34	Saunova 2.0 PLUS .....	74
Floor Series .....	35	Saunova Controls .....	75
Nordex Pro .....	36	Innova Controls .....	77
Nordex Pro Combi .....	37	<b>Sauna Accessories .....</b>	<b>79</b>
Nordex S .....	38	Accessory Sets .....	80
Nordex S Combi .....	39	Pail Shower .....	82
Nordex Floor .....	40	Pails .....	83
Krios Floor .....	41	Ladles .....	84
Helius .....	42	Thermometers and Combined Meters ..	85
Helius Mini .....	44	Clocks, Sandtimers, Headrests and	
Taurus D .....	46	Backrests .....	86
Taurus D Combi .....	48	Sauna Furnishings .....	87
Savonia .....	50	Door Handles and Ventilation .....	88
Savonia Combi .....	51	Display Stand Wall and Add Ons .....	89
Wall-Mounted Series .....	52	Doors .....	90
Mini, Mini X and Mini Combi .....	53	Kivistone .....	92
Scandia .....	55	<b>Steam Sauna .....</b>	<b>93</b>
Scandia Combi .....	56	STN-S Steam Generator .....	94
Krios .....	57	STN-W Steam Generator .....	95
Nordex .....	59	STN Steam Generator .....	96
Nordex Combi .....	60	STE Steam Generator .....	98
Nordex Mini .....	61	Steam Generator Controls .....	100
Nordex Mini Combi .....	62	Optional Items .....	101
Scandifire .....	64		
Minidragon .....	65		

# SAUNA Heaters

With over 30 years of experience manufacturing sauna products, SAWO offers a wide variety of tower, stone, wall-mounted, floor, and combi heaters.

A good starting point is to define the size of the sauna, choosing the corresponding kW option and the preferred control option.

Everything else is up to individual *löyly* and heater style preferences.

# TOWER Series

SAWO Tower heaters are best described as “sauna stone pillars.” Strong, stainless steel rings hold massive amounts of stones. These heaters are designed to circulate steam evenly from the lowest to the highest part of the sauna room.

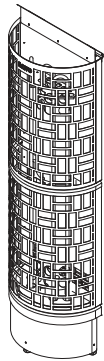


# SAWO30 Heaters

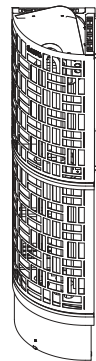
**SAWO30** heaters celebrate the 30-year journey of the SAWO brand. Designed with precision and elegance, they combine robust performance with a sleek, modern aesthetic. The SAWO30 makes a striking centerpiece for any sauna, and its height ensures even heat circulation from top to bottom. SAWO30 heaters are available in three models: Round, Corner, and Wall.



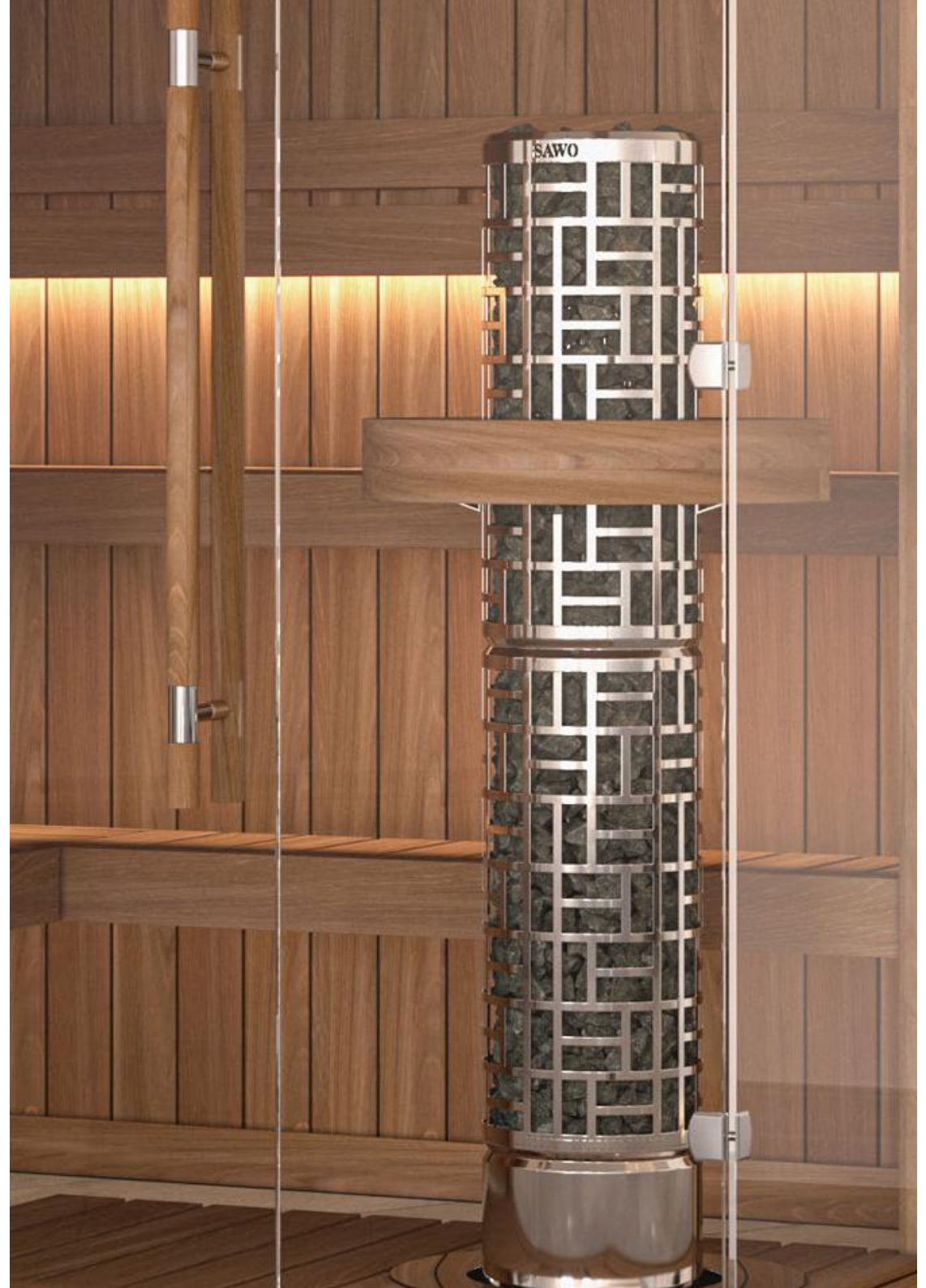
Round



Wall



Corner





## SAWO30 Round

- » Power range: 4,5 – 24,0kW
- » Available controls: Saunova (Ni2), Saunova/Innova (NS) and Built-in (NB)
- » Casing: stainless steel or black steel
- » Easier loading of stones with separating middle part
- » Removable stone spacer: choose between faster heating time and hotter heat or slower, milder heat
- » Adjustable legs
- » Optional heater guard and integrated collar



## SAWO30 Wall

- » Power range: 4,5 – 24,0kW
- » Available controls: Saunova (Ni2), Saunova/Innova (NS) and Built-in (NB)
- » Casing: stainless steel or black steel
- » Easier loading of stones with separating middle part
- » Removable stone spacer: choose between faster heating time and hotter heat or slower, milder heat
- » Adjustable legs
- » Optional heater guard and integrated collar



## SAWO30 Corner

- » Power range: 4,5 – 12,0kW
- » Available controls: Saunova (Ni2), Saunova/Innova (NS) and Built-in (NB)
- » Casing: stainless steel or black steel
- » Easier loading of stones with separating middle part
- » Removable stone spacer: choose between faster heating time and hotter heat or slower, milder heat
- » Adjustable legs
- » Optional heater guard and integrated collar

# SAWO30 Round

**SAWO30 Round** is a magnificent-looking heater that can be placed perfectly in the middle of the sauna or embedded into benches.

The large amount of stones in the tall sleek body creates a rich, steam-infused atmosphere with an ideal combination of steam and humidity.





SAWO30 Round (Ni2)      SAWO30 Round Black (Ni2)

Saunova (Ni2)

HEATER MODEL	kW	SAUNA ROOM		SIZE OF HEATER			STONES		CONTROL	MINIMUM SAFETY DISTANCES	
		MIN	MAX	LENGTH	WIDTH	HEIGHT	Without Stone Spacer	With Stone Spacer		A	B
SW3-45Ni2-P-C   SW3-45Ni2-BL-P-C	4,5	3	6	245	245	1305	70	60	Saunova	100	1900
SW3-60Ni2-P-C   SW3-60Ni2-BL-P-C	6,0	5	8	245	245	1305	70	60	Saunova	100	1900
SW6-90Ni2-P-C   SW6-90Ni2-BL-P-C	9,0	8	15	345	345	1305	160	100	Saunova	100	1900



SAWO30 Round (NS)      SAWO30 Round Black (NS)

Saunova/Innova (NS)

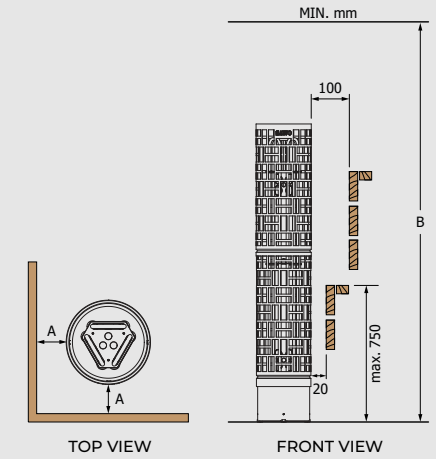
HEATER MODEL	kW	SAUNA ROOM		SIZE OF HEATER			STONES		CONTROL	MINIMUM SAFETY DISTANCES	
		MIN	MAX	LENGTH	WIDTH	HEIGHT	Without Stone Spacer	With Stone Spacer		A	B
SW3-45NS-P-C   SW3-45NS-BL-P-C	4,5	3	6	245	245	1305	70	60	separate	100	1900
SW3-60NS-P-C   SW3-60NS-BL-P-C	6,0	5	8	245	245	1305	70	60	separate	100	1900
SW6-90NS-P-C   SW6-90NS-BL-P-C	9,0	8	15	345	345	1305	160	100	separate	100	1900
SW6-120NS-P   SW6-120NS-BL-P	12,0	11	18	345	345	1305	160	100	separate	100	2100
SW12-180NS-P   SW12-180NS-BL-P	18,0	18	30	515	515	1305	360	220	separate	100	2300
SW12-210NS-P   SW12-210NS-BL-P	21,0	22	35	515	515	1305	360	220	separate	100	2300
SW12-240NS-P   SW12-240NS-BL-P	24,0	24	40	515	515	1305	360	220	separate	100	2300



SAWO30 Round (NB)      SAWO30 Round Black (NB)

Built-in (NB)

HEATER MODEL	kW	SAUNA ROOM		SIZE OF HEATER			STONES		CONTROL	MINIMUM SAFETY DISTANCES	
		MIN	MAX	LENGTH	WIDTH	HEIGHT	Without Stone Spacer	With Stone Spacer		A	B
SW3-45NB-P-C   SW3-45NB-BL-P-C	4,5	3	6	245	245	1305	70	60	built-in (8+4h)	100	1900
SW3-60NB-P-C   SW3-60NB-BL-P-C	6,0	5	8	245	245	1305	70	60	built-in (8+4h)	100	1900
SW6-90NB-P-C   SW6-90NB-BL-P-C	9,0	8	15	345	345	1305	160	100	built-in (8+4h)	100	1900



Minimum Safety Distances

Heater Accessories (Optional)

Integration Collars for Round



Stainless



Wooden  
Cedar (D) and Aspen (A)



Soapstone

MODEL	SIZE OF COLLAR		
	LENGTH (mm)	WIDTH (mm)	HEIGHT (mm)
TH-COLLAR-ST2	460	460	45
TH-COLLAR-ST6	640	640	45
TH-COLLAR-ST12	820	820	45

MODEL	SIZE OF COLLAR		
	LENGTH (mm)	WIDTH (mm)	HEIGHT (mm)
TH-COLLAR-W2-D   A	440	440	45
TH-COLLAR-W6-D   A	540	540	45
TH-COLLAR-W12-D   A	685	685	45

MODEL	SIZE OF COLLAR		
	LENGTH (mm)	WIDTH (mm)	HEIGHT (mm)
TH-COLLAR-S2	510	510	45
TH-COLLAR-S6	620	620	45
TH-COLLAR-S12	790	790	45

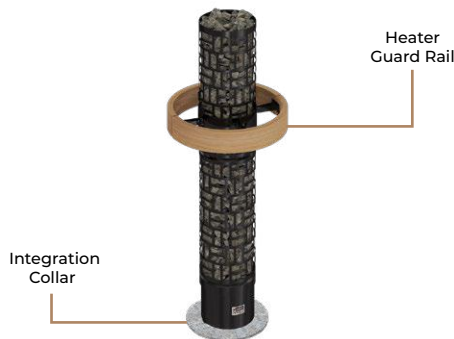
Heater Guards for Round



Wooden  
Cedar (D) and Aspen (A)

MODEL	SIZE OF GUARD RAIL		
	LENGTH (mm)	WIDTH (mm)	HEIGHT (mm)
SW-GUARD-W2-D   A	510	510	90
SW-GUARD-W6-D   A	620	620	90
SW-GUARD-W12-D   A	790	790	90

HEATERS
SW3
SW6
SW12



# SAWO30 Wall

**SAWO30 Wall** is perfect for saving space while being very easy on the eyes.

The large amount of stones in the tall sleek body enables rich, steam-infused atmosphere with an ideal combination of steam and humidity.





SAWO30 Wall (Ni2)



SAWO30 Wall Black (Ni2)

Saunova (Ni2)

HEATER MODEL	kW	SAUNA ROOM		SIZE OF HEATER			STONES		CONTROL	MINIMUM SAFETY DISTANCES	
		MIN	MAX	LENGTH	WIDTH	HEIGHT	Without Stone Spacer	With Stone Spacer		A	B
SW3-45Ni2-WL-P-C   SW3-45Ni2-WL-BL-P-C	4,5	3	6	*230	385	1395	70	60	Saunova	100	1900
SW3-60Ni2-WL-P-C   SW3-60Ni2-WL-BL-P-C	6,0	5	8	*230	385	1395	70	60	Saunova	100	1900
SW6-90Ni2-WL-P-C   SW6-90Ni2-WL-BL-P-C	9,0	8	15	*250	475	1395	160	100	Saunova	100	1900



SAWO30 Wall (NS)



SAWO30 Wall Black (NS)

Saunova/Innova (NS)

HEATER MODEL	kW	SAUNA ROOM		SIZE OF HEATER			STONES		CONTROL	MINIMUM SAFETY DISTANCES	
		MIN	MAX	LENGTH	WIDTH	HEIGHT	Without Stone Spacer	With Stone Spacer		A	B
SW3-45NS-WL-P-C   SW3-45NS-WL-BL-P-C	4,5	3	6	*210	390	1375	70	60	separate	100	1900
SW3-60NS-WL-P-C   SW3-60NS-WL-BL-P-C	6,0	5	8	*210	390	1375	70	60	separate	100	1900
SW6-90NS-WL-P-C   SW6-90NS-WL-BL-P-C	9,0	8	15	*290	540	1375	160	100	separate	100	1900
SW6-120NS-WL-P   SW6-120NS-WL-BL-P	12,0	11	18	*290	540	1375	160	100	separate	100	2100
SW12-180NS-WL-P   SW12-180NS-WL-BL-P	18,0	18	30	*430	780	1375	250	165	separate	100	2300
SW12-210NS-WL-P   SW12-210NS-WL-BL-P	21,0	22	35	*430	780	1375	250	165	separate	100	2300
SW12-240NS-WL-P   SW12-240NS-WL-BL-P	24,0	24	40	*430	780	1375	250	165	separate	100	2300

\*Depth when installed to the wall.



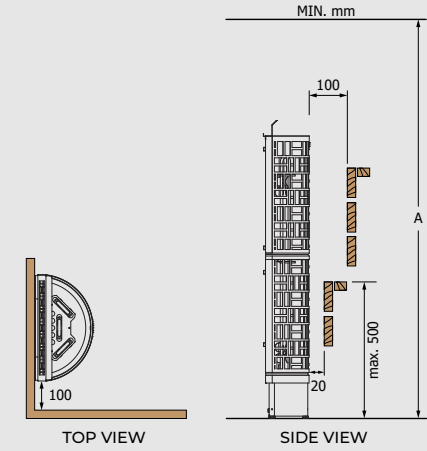
SAWO30 Wall (NB)



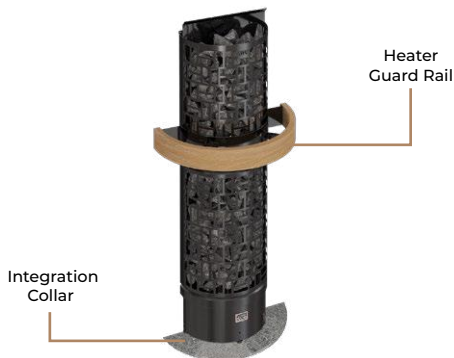
SAWO30 Wall Black (NB)

Built-in (NB)

HEATER MODEL	kW	SAUNA ROOM		SIZE OF HEATER			STONES		CONTROL	MINIMUM SAFETY DISTANCES	
		MIN	MAX	LENGTH	WIDTH	HEIGHT	Without Stone Spacer	With Stone Spacer		A	B
SW3-45NB-WL-P-C   SW3-45NB-WL-BL-P-C	4,5	3	6	*230	385	1395	70	60	built-in (8+4h)	100	1900
SW3-60NB-WL-P-C   SW3-60NB-WL-BL-P-C	6,0	5	8	*230	385	1395	70	60	built-in (8+4h)	100	1900
SW6-90NB-WL-P-C   SW6-90NB-WL-BL-P-C	9,0	8	15	*250	475	1395	160	100	built-in (8+4h)	100	1900



Minimum Safety Distances



Heater Accessories (Optional)

Integration Collars for Wall



Stainless



Wooden Cedar (D) and Aspen (A)



Soapstone

MODEL	SIZE OF COLLAR		
	LENGTH (mm)	WIDTH (mm)	HEIGHT (mm)
TH-COLLAR-ST2-WL	355	650	45
TH-COLLAR-ST6-WL	445	830	45
TH-COLLAR-ST12-WL	535	1010	45

MODEL	SIZE OF COLLAR		
	LENGTH (mm)	WIDTH (mm)	HEIGHT (mm)
TH-COLLAR-W2-WL-D   A	345	630	45
TH-COLLAR-W6-WL-D   A	425	790	45
TH-COLLAR-W12-WL-D   A	545	1030	45

MODEL	SIZE OF COLLAR		
	LENGTH (mm)	WIDTH (mm)	HEIGHT (mm)
TH-COLLAR-S2-WL	345	635	45
TH-COLLAR-S6-WL	425	795	45
TH-COLLAR-S12-WL	545	1035	45

Heater Guards for Wall



Wooden Cedar (D) and Aspen (A)

MODEL	SIZE OF GUARD RAIL		
	LENGTH (mm)	WIDTH (mm)	HEIGHT (mm)
SW-GUARD-W2-WL-D   A	335	615	90
SW-GUARD-W6-WL-D   A	410	795	90

HEATERS
SW3
SW6
SW12

# SAWO30 Corner

**SAWO30 Corner** is designed for making the most out of limited sauna space without having to compromise. The large amount of stones in the tall sleek body creates a rich, steam-infused atmosphere with an ideal combination of steam and humidity.





SAWO30 Corner (Ni2)      SAWO30 Corner Black (Ni2)

Saunova (Ni2)

HEATER MODEL	kW	SAUNA ROOM		SIZE OF HEATER			STONES		CONTROL	MINIMUM SAFETY DISTANCES	
		MIN (m³)	MAX	LENGTH	WIDTH	HEIGHT	Without Stone Spacer	With Stone Spacer		A	B
SW3-45Ni2-CNR-P-C   SW3-45Ni2-CNR-BL-P-C	4,5	3	6	*300	300	1380	70	45	Saunova	100	1900
SW3-60Ni2-CNR-P-C   SW3-60Ni2-CNR-BL-P-C	6,0	5	8	*300	300	1380	70	45	Saunova	100	1900
SW6-90Ni2-CNR-P-C   SW6-90Ni2-CNR-BL-P-C	9,0	8	15	*415	415	1380	105	80	Saunova	100	1900



SAWO30 Corner (NS)      SAWO30 Corner Black (NS)

Saunova/Innova (NS)

HEATER MODEL	kW	SAUNA ROOM		SIZE OF HEATER			STONES		CONTROL	MINIMUM SAFETY DISTANCES	
		MIN (m³)	MAX	LENGTH	WIDTH	HEIGHT	Without Stone Spacer	With Stone Spacer		A	B
SW3-45NS-CNR-P-C   SW3-45NS-CNR-BL-P-C	4,5	3	6	*300	300	1380	70	45	separate	100	1900
SW3-60NS-CNR-P-C   SW3-60NS-CNR-BL-P-C	6,0	5	8	*300	300	1380	70	45	separate	100	1900
SW6-90NS-CNR-P-C   SW6-90NS-CNR-BL-P-C	9,0	8	15	*415	415	1380	105	80	separate	100	1900
SW6-120NS-CNR-P   SW6-120NS-CNR-BL-P	12,0	11	18	*415	415	1380	105	80	separate	100	2100

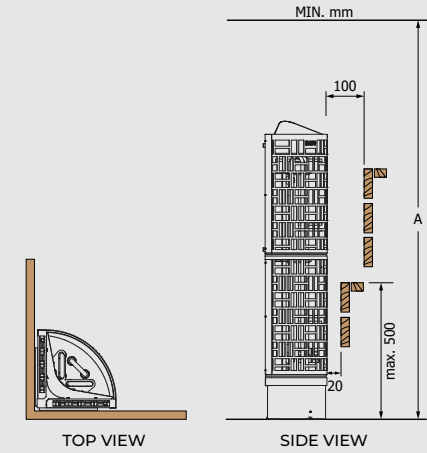


SAWO30 Corner (NB)      SAWO30 Corner Black (NB)

Built-in (NB)

HEATER MODEL	kW	SAUNA ROOM		SIZE OF HEATER			STONES		CONTROL	MINIMUM SAFETY DISTANCES	
		MIN (m³)	MAX	LENGTH	WIDTH	HEIGHT	Without Stone Spacer	With Stone Spacer		A	B
SW3-45NB-CNR-P-C   SW3-45NB-CNR-BL-P-C	4,5	3	6	*300	300	1380	70	45	built-in (8+4h)	100	1900
SW3-60NB-CNR-P-C   SW3-60NB-CNR-BL-P-C	6,0	5	8	*300	300	1380	70	45	built-in (8+4h)	100	1900
SW6-90NB-CNR-P-C   SW6-90NB-CNR-BL-P-C	9,0	8	15	*415	415	1380	105	80	built-in (8+4h)	100	1900

\*Depth when installed to the wall.



Minimum Safety Distances

Heater Accessories (Optional)

Integration Collars for Corner



Stainless



Wooden Cedar (D) and Aspen (A)



Soapstone

MODEL	SIZE OF COLLAR		
	LENGTH	WIDTH	HEIGHT
TH-COLLAR-ST2-CNR	220	670	45
TH-COLLAR-ST6-CNR	245	795	45

MODEL	SIZE OF COLLAR		
	LENGTH	WIDTH	HEIGHT
TH-COLLAR-W2-CNR-D   A	200	600	45
TH-COLLAR-W6-CNR-D   A	235	755	45

MODEL	SIZE OF COLLAR		
	LENGTH	WIDTH	HEIGHT
TH-COLLAR-S2-CNR	425	425	45
TH-COLLAR-S6-CNR	535	535	45

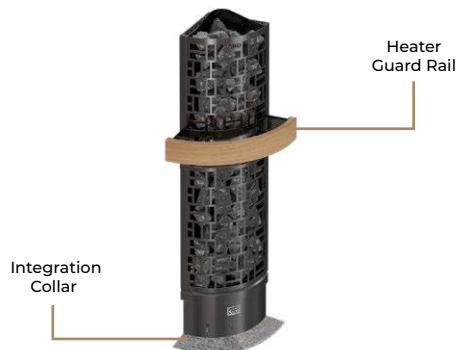
Heater Guards for Corner



Wooden Cedar (D) and Aspen (A)

MODEL	SIZE OF GUARD RAIL		
	LENGTH	WIDTH	HEIGHT
SW-GUARD-W2-CNR-D   A	210	580	90
SW-GUARD-W6-CNR-D   A	245	755	90

HEATERS
SW3
SW6



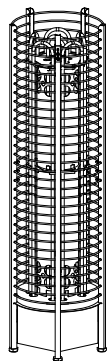
# Tower Heaters

**Tower** heaters are developed to produce steam from the lowest to the highest part of the sauna, similarly to a smoke sauna.

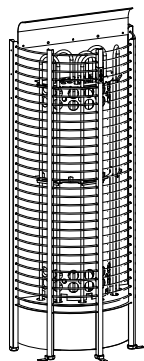
Our Tower heaters are equipped with a removable stone spacer, which allows for high temperatures while saving electricity due to reduced heating time. The stone spacer improves air flow in the heater and helps extend the heating elements' life span as the stones do not touch the elements.

When the stone spacer is not used, the *löyly* is milder and softer.

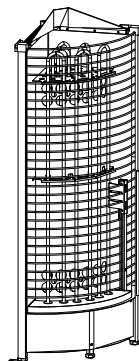
The Tower heaters come in Round, Wall, and Corner models.



Round



Wall



Corner





## Tower ROUND

- » Power range: 3,0 – 24,0kW
- » Available controls: Saunova (Ni2), Innova (Ni), Saunova/Innova (NS) and Built-in (NB)
- » Casing: Stainless steel
- » Moving steel rings for replacement of broken stones
- » Removable stone spacer: choose between faster heating time and hotter heat or slower, milder heat
- » Adjustable legs
- » Optional heater guard and integration collar



## Tower WALL

- » Power range: 3,0 – 24,0kW
- » Available controls: Saunova (Ni2), Innova (Ni), Saunova/Innova (NS) and Built-in (NB)
- » Casing: Stainless steel
- » Moving rings for replacement of broken stones
- » Removable stone spacer: choose between faster heating time and hotter heat or slower, milder heat
- » Adjustable legs
- » Optional heater guard and integration collar



## Tower CORNER

- » Power range: 3,0 – 12,0kW
- » Available controls: Saunova (Ni2), Innova (Ni), Saunova/Innova (NS) and Built-in (NB)
- » Casing: Stainless steel
- » Moving upper part for replacement of broken stones
- » Removable stone spacer: choose between faster heating time and hotter heat or slower, milder heat
- » Adjustable legs
- » Optional heater guard and integration collar

# Tower Round

**Tower Round** is a timelessly elegant heater that releases long-lasting mild, steady, and humid heat.

The Round model can be placed perfectly in the middle of the sauna or embedded into benches.





Tower Round (Ni2)

Tower Round (Ni)

Saunova (Ni2) and Innova (Ni)

HEATER MODEL	kW	SAUNA ROOM (m³)		SIZE OF HEATER (mm)			STONES		CONTROL	MINIMUM SAFETY DISTANCES	
		MIN	MAX	LENGTH	WIDTH	HEIGHT	Without Stone Spacer (kg)	With Stone Spacer (kg)		A	B
TH2-30Ni2-P-C	3,0	2	4	260	260	1300	70	60	Saunova	100	1900
TH3-35Ni2-P-C	3,5	3	6	260	260	1300	70	60	Saunova	100	1900
TH3-45Ni2-P-C	4,5	3	6	260	260	1300	70	60	Saunova	100	1900
TH3-60Ni2-P-C	6,0	5	8	260	260	1300	70	60	Saunova	150	1900
TH4-60Ni2-P-C	6,0	5	9	315	315	1300	105	90	Saunova	150	1900
TH5-80Ni2-P-C	8,0	8	14	315	315	1300	105	90	Saunova	150	1900
TH5-90Ni2-P-C	9,0	8	14	315	315	1300	105	90	Saunova	150	1900
TH6-80Ni2-P-C	8,0	7	14	365	365	1300	160	100	Saunova	150	1900
TH6-90Ni2-P-C	9,0	8	15	365	365	1300	160	100	Saunova	150	1900
TH6-105Ni-P	10,5	9	16	365	365	1300	160	100	Innova	150	1900
TH6-120Ni-P	12,0	11	18	365	365	1300	160	100	Innova	200	2100
TH9-105Ni-P	10,5	10	16	450	450	1300	230	165	Innova	150	2100
TH9-120Ni-P	12,0	11	20	450	450	1300	230	165	Innova	150	2100
TH9-150Ni-P	15,0	14	25	450	450	1300	230	165	Innova	200	2100
TH12-150Ni-P	15,0	15	26	545	545	1300	360	220	Innova	200	2300
TH12-180Ni-P	18,0	18	30	545	545	1300	360	220	Innova	200	2300
TH12-210Ni-P	21,0	22	35	545	545	1300	360	220	Innova	200	2300
TH12-240Ni-P	24,0	24	40	545	545	1300	360	220	Innova	200	2300

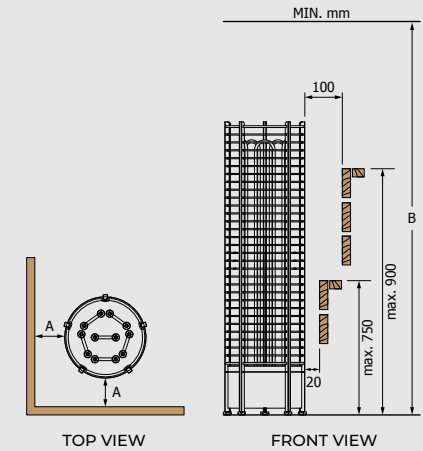


Tower Round (NiB)

Tower Round (NiS)

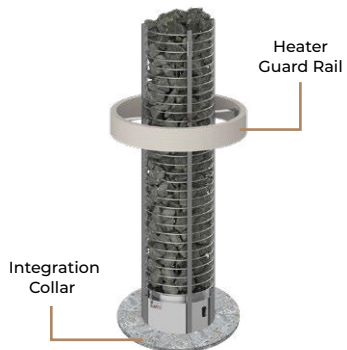
Built-in (NB) and Saunova/Innova (NS)

HEATER MODEL	kW	SAUNA ROOM (m³)		SIZE OF HEATER (mm)			STONES		CONTROL	MINIMUM SAFETY DISTANCES		
		MIN	MAX	LENGTH	WIDTH	HEIGHT	Without Stone Spacer (kg)	With Stone Spacer (kg)		A	B	
TH2-30NB-P   NS-P	3,0	2	4	260	260	1300	70	60	separate	100	150	1900
TH3-35NB-P-C   NS-P-C	3,5	3	6	260	260	1300	70	60	built-in (8+4h)	150	100	1900
TH3-45NB-P-C   NS-P-C	4,5	3	6	260	260	1300	70	60	built-in (8+4h)	150	100	1900
TH3-60NB-P-C   NS-P-C	6,0	5	8	260	260	1300	70	60	built-in (8+4h)	150	150	1900
TH4-60NB-P-C   NS-P-C	6,0	5	9	315	315	1300	105	90	built-in (8+4h)	150	150	1900
TH5-80NB-P-C   NS-P-C	8,0	7	13	315	315	1300	105	90	built-in (8+4h)	100	100	1900
TH5-90NB-P-C	9,0	8	14	315	315	1300	105	90	separate	150	1900	
TH6-80NB-P-C   NS-P-C	8,0	7	14	365	365	1300	160	100	built-in (8+4h)	100	100	1900
TH6-90NB-P-C   NS-P-C	9,0	8	15	365	365	1300	160	100	built-in (8+4h)	100	100	1900
TH6-105NS-P	10,5	9	16	365	365	1300	160	100	separate	150	1900	
TH6-120NS-P	12,0	11	18	365	365	1300	160	100	separate	200	2100	
TH9-105NS-P	10,5	10	16	450	450	1300	230	165	separate	150	2100	
TH9-120NS-P	12,0	11	20	450	450	1300	230	165	separate	150	2100	
TH9-150NS-P	15,0	14	25	450	450	1300	230	165	separate	200	2100	
TH9-180NS-P	18,0	18	28	450	450	1300	230	165	separate	200	2100	
TH12-150NS-P	15,0	15	26	545	545	1300	360	220	separate	200	2300	
TH12-180NS-P	18,0	18	30	545	545	1300	360	220	separate	200	2300	
TH12-210NS-P	21,0	22	35	545	545	1300	360	220	separate	200	2300	
TH12-240NS-P	24,0	24	40	545	545	1300	360	220	separate	200	2300	



Minimum Safety Distances

Heater Accessories (Optional)



Integration Collars for Round



Stainless steel (for TH4 and TH5)



Stainless steel



Wooden Cedar (D) and Aspen (A)



Soapstone

MODEL	SIZE OF COLLAR LENGTH WIDTH HEIGHT (mm)
TH-COLLAR-V2-ST4	420 420 105

MODEL	SIZE OF COLLAR LENGTH WIDTH HEIGHT (mm)
TH-COLLAR-ST2	460 460 45
TH-COLLAR-ST4	540 540 45
TH-COLLAR-ST6	640 640 45
TH-COLLAR-ST9	720 720 45
TH-COLLAR-ST12	820 820 45

MODEL	SIZE OF COLLAR LENGTH WIDTH HEIGHT (mm)
TH-COLLAR-W2-D   A	440 440 45
TH-COLLAR-W4-D   A	485 485 45
TH-COLLAR-W6-D   A	540 540 45
TH-COLLAR-W9-D   A	560 560 45
TH-COLLAR-W12-D   A	685 685 45

MODEL	SIZE OF COLLAR LENGTH WIDTH HEIGHT (mm)
TH-COLLAR-S2	507 507 45
TH-COLLAR-S4	560 560 45
TH-COLLAR-S6	620 620 45
TH-COLLAR-S9	690 690 45
TH-COLLAR-S12	790 790 45

Heater Guards for Round



Wooden Cedar (D) and Aspen (A)

MODEL	SIZE OF GUARD RAIL LENGTH WIDTH HEIGHT (mm)
TH-GUARD-W2-D   A	510 510 45
TH-GUARD-W4-D   A	560 560 45
TH-GUARD-W6-D   A	620 620 45
TH-GUARD-W9-D   A	690 690 45
TH-GUARD-W12-D   A	790 790 45

MODEL
TH2   TH3
TH4   TH5
TH6
TH9
TH12

# Tower Wall

**Tower Wall** is a timelessly elegant heater that releases long-lasting mild, steady and humid heat. The Wall model is a wonderful space-saver while still being the show-stopper of the sauna.

To increase the heater's power output to over 24,0kW, two Wall heaters can be linked together for an output of up to 48,0kW.



Saunova (Ni2) and Innova (Ni)



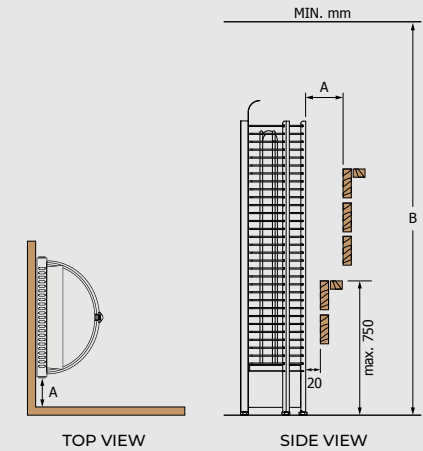
HEATER MODEL	kW	SAUNA ROOM		SIZE OF HEATER			STONES		CONTROL	MINIMUM SAFETY DISTANCES	
		MIN	MAX	LENGTH	WIDTH	HEIGHT	Without Stone Spacer	With Stone Spacer		A	B
TH2-30Ni2-WL-P-C	3,0	2	4	*230	385	1395	70	60	Saunova	100	1900
TH3-35Ni2-WL-P-C	3,5	3	6	*230	385	1395	70	60	Saunova	100	1900
TH3-45Ni2-WL-P-C	4,5	3	6	*230	385	1395	70	60	Saunova	100	1900
TH3-60Ni2-WL-P-C	6,0	5	8	*230	385	1395	70	60	Saunova	100	1900
TH4-60Ni2-WL-P-C	6,0	5	9	*250	475	1395	105	90	Saunova	100	1900
TH5-80Ni2-WL-P-C	8,0	8	14	*250	475	1395	105	90	Saunova	100	1900
TH5-90Ni2-WL-P-C	9,0	8	14	*250	475	1395	105	90	Saunova	100	1900
TH6-80Ni2-WL-P-C	8,0	7	14	*320	550	1395	160	100	Saunova	100	1900
TH6-90Ni2-WL-P-C	9,0	8	15	*320	550	1395	160	100	Saunova	100	1900
TH6-105Ni-WL-P	10,5	9	16	*320	550	1395	160	100	Innova	100	1900
TH6-120Ni-WL-P	12,0	11	18	*320	550	1395	160	100	Innova	100	2100
TH9-105Ni-WL-P	10,5	10	16	*355	650	1395	230	165	Innova	100	2100
TH9-120Ni-WL-P	12,0	11	20	*355	650	1395	230	165	Innova	100	2100
TH9-150Ni-WL-P	15,0	14	25	*355	650	1395	230	165	Innova	100	2100
TH12-150Ni-WL-P	15,0	15	26	*425	790	1395	360	220	Innova	100	2300
TH12-180Ni-WL-P	18,0	18	30	*425	790	1395	360	220	Innova	100	2300
TH12-210Ni-WL-P	21,0	22	35	*425	790	1395	360	220	Innova	100	2300
TH12-240Ni-WL-P	24,0	24	40	*425	790	1395	360	220	Innova	100	2300



Built-in (NB) and Saunova/Innova (NS)

HEATER MODEL	kW	SAUNA ROOM		SIZE OF HEATER			STONES		CONTROL	MINIMUM SAFETY DISTANCES	
		MIN	MAX	LENGTH	WIDTH	HEIGHT	Without Stone Spacer	With Stone Spacer		A	B
TH2-30-NS-WL-P	3,0	2	4	*230	385	1395	70	60	built-in (8+4h) separate	100	1900
TH3-35-NB NS-WL-P-C	3,5	3	6	*230	385	1395	70	60	built-in (8+4h) separate	100	1900
TH3-45-NB NS-WL-P-C	4,5	3	6	*230	385	1395	70	60	built-in (8+4h) separate	100	1900
TH3-60-NB NS-WL-P-C	6,0	5	8	*230	385	1395	70	60	built-in (8+4h) separate	100	1900
TH4-60-NB NS-WL-P-C	6,0	5	9	*250	475	1395	105	90	built-in (8+4h) separate	100	1900
TH5-80-NB NS-WL-P-C	8,0	7	13	*250	475	1395	105	90	built-in (8+4h) separate	100	1900
TH5-90NS-WL-P-C	9,0	8	14	*250	475	1395	105	90	separate	100	1900
TH6-80 NB NS-WL-P-C	8,0	7	14	*300	540	1395	160	100	built-in (8+4h) separate	100	1900
TH6-90 NB NS-WL-P-C	9,0	8	15	*300	540	1395	160	100	built-in (8+4h) separate	100	1900
TH6-105NS-WL-P	10,5	9	16	*300	540	1395	160	100	separate	100	2100
TH6-120NS-WL-P	12,0	11	18	*300	540	1395	160	100	separate	100	2100
TH9-105NS-WL-P	10,5	10	16	*355	650	1395	230	165	separate	100	2100
TH9-120NS-WL-P	12,0	11	20	*355	650	1395	230	165	separate	100	2100
TH9-150NS-WL-P	15,0	14	25	*355	650	1395	230	165	separate	100	2100
TH9-180NS-WL-P	18,0	18	28	*355	650	1395	230	165	separate	100	2300
TH12-150NS-WL-P	15,0	15	26	*425	790	1395	360	220	separate	100	2300
TH12-180NS-WL-P	18,0	18	30	*425	790	1395	360	220	separate	100	2300
TH12-210NS-WL-P	21,0	22	35	*425	790	1395	360	220	separate	100	2300
TH12-240NS-WL-P	24,0	24	40	*425	790	1395	360	220	separate	100	2300

\*Depth when installed to the wall.



Minimum Safety Distances

Heater Accessories (Optional)

Integration Collars for Wall



MODEL	SIZE OF COLLAR	LENGTH (mm)	WIDTH (mm)	HEIGHT (mm)
TH-COLLAR-ST2-WL	355	650	45	
TH-COLLAR-ST4-WL	380	700	45	
TH-COLLAR-ST6-WL	445	830	45	
TH-COLLAR-ST9-WL	470	880	45	
TH-COLLAR-ST12-WL	535	1010	45	

MODEL	SIZE OF COLLAR	LENGTH (mm)	WIDTH (mm)	HEIGHT (mm)
TH-COLLAR-W2-WL-D   A	345	630	45	
TH-COLLAR-W4-WL-D   A	385	715	45	
TH-COLLAR-W6-WL-D   A	425	790	45	
TH-COLLAR-W9-WL-D   A	480	890	45	
TH-COLLAR-W12-WL-D   A	545	1030	45	

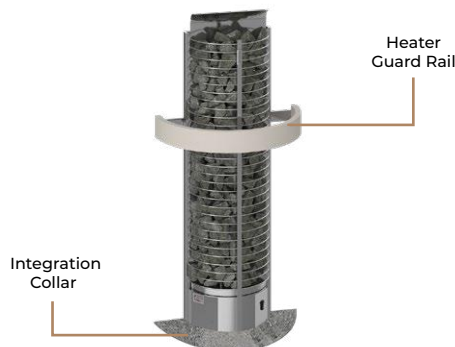
MODEL	SIZE OF COLLAR	LENGTH (mm)	WIDTH (mm)	HEIGHT (mm)
TH-COLLAR-S2-WL	345	635	45	
TH-COLLAR-S4-WL	390	720	45	
TH-COLLAR-S6-WL	425	795	45	
TH-COLLAR-S9-WL	475	895	45	
TH-COLLAR-S12-WL	545	1035	45	

Heater Guards for Wall



MODEL	SIZE OF GUARD RAIL	LENGTH (mm)	WIDTH (mm)	HEIGHT (mm)
TH-GUARD-W2-WL-D   A	355	645	90	
TH-GUARD-W4-WL-D   A	725	395	90	
TH-GUARD-W6-WL-D   A	435	800	90	
TH-GUARD-W9-WL-D   A	485	900	90	
TH-GUARD-W12-WL-D   A	555	1040	90	

MODEL
TH2   TH3
TH4   TH5
TH6
TH9
TH12



# Tower Corner

**Tower Corner** is specifically designed to fit into tight corners. It makes the most out of the sauna layout without sacrificing heat and style.

The Tower Corner will ensure a gentle, soothing warmth for a truly relaxing experience.





Tower Corner (Ni2)

Tower Corner (Ni)



Tower Corner (NB)

Tower Corner (NS)

Saunova (Ni2) and Innova (Ni)

HEATER MODEL	kW	SAUNA ROOM (m²)		SIZE OF HEATER (mm)			STONES (kg)		CONTROL	MINIMUM SAFETY DISTANCES (mm)	
		MIN	MAX	LENGTH	WIDTH	HEIGHT	Without Stone Spacer	With Stone Spacer		A	B
TH2-30Ni2-CNR-P-C	3,0	2	4	300	*300	1380	70	45	Saunova	100	1900
TH3-35Ni2-CNR-P-C	3,5	3	6	300	*300	1380	70	45	Saunova	100	1900
TH3-45Ni2-CNR-P-C	4,5	3	6	300	*300	1380	70	45	Saunova	100	1900
TH3-60Ni2-CNR-P-C	6,0	5	8	300	*300	1380	70	45	Saunova	100	1900
TH4-60Ni2-CNR-P-C	6,0	5	9	355	*355	1380	105	70	Saunova	100	1900
TH5-80Ni2-CNR-P-C	8,0	7	13	355	*355	1380	105	70	Saunova	100	1900
TH5-90Ni2-CNR-P-C	9,0	8	14	355	*355	1380	105	70	Saunova	100	1900
TH6-80Ni2-CNR-P	8,0	7	14	415	*415	1380	160	80	Saunova	100	1900
TH6-90Ni2-CNR-P	9,0	8	15	415	*415	1380	160	80	Saunova	100	1900
TH6-105Ni2-CNR-P	10,5	9	16	415	*415	1380	160	100	Innova	100	1900
TH6-120Ni2-CNR-P	12,0	11	18	415	*415	1380	160	100	Innova	100	2100

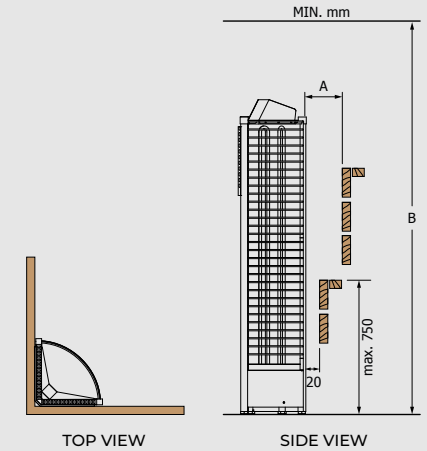
Built-in (NB)

HEATER MODEL	kW	SAUNA ROOM (m²)		SIZE OF HEATER (mm)			STONES (kg)		CONTROL	MINIMUM SAFETY DISTANCES (mm)	
		MIN	MAX	LENGTH	WIDTH	HEIGHT	Without Stone Spacer	With Stone Spacer		A	B
TH2-30NB-CNR-P-C	3,0	2	4	300	*300	1380	70	45	built-in (8+4h)	125	1900
TH3-35NB-CNR-P-C	3,5	3	6	300	*300	1380	70	45	built-in (8+4h)	125	1900
TH3-45NB-CNR-P-C	4,5	3	6	300	*300	1380	70	45	built-in (8+4h)	125	1900
TH3-60NB-CNR-P-C	6,0	5	8	300	*300	1380	70	45	built-in (8+4h)	125	1900
TH4-60NB-CNR-P-C	6,0	5	9	355	*355	1380	105	70	built-in (8+4h)	125	1900
TH5-80NB-CNR-P-C	8,0	7	13	355	*355	1380	105	70	built-in (8+4h)	125	1900
TH6-80NB-CNR-P-C	8,0	7	14	415	*415	1380	160	80	built-in (8+4h)	125	1900
TH6-90NB-CNR-P-C	9,0	8	15	415	*415	1380	160	80	built-in (8+4h)	125	1900

Saunova/Innova (NS)

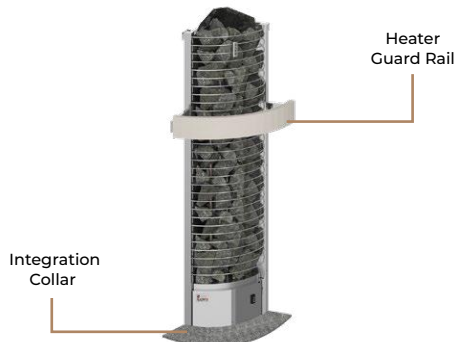
HEATER MODEL	kW	SAUNA ROOM (m²)		SIZE OF HEATER (mm)			STONES (kg)		CONTROL	MINIMUM SAFETY DISTANCES (mm)	
		MIN	MAX	LENGTH	WIDTH	HEIGHT	Without Stone Spacer	With Stone Spacer		A	B
TH3-35NS-CNR-P-C	3,5	3	6	300	*300	1380	70	45	separate	100	1900
TH3-45NS-CNR-P-C	4,5	3	6	300	*300	1380	70	45	separate	100	1900
TH3-60NS-CNR-P-C	6,0	5	8	300	*300	1380	70	45	separate	100	1900
TH4-60NS-CNR-P-C	6,0	5	9	355	*355	1380	105	70	separate	100	1900
TH5-80NS-CNR-P-C	8,0	7	13	355	*355	1380	105	70	separate	100	1900
TH5-90NS-CNR-P-C	9,0	8	14	355	*355	1380	105	70	separate	100	1900
TH6-80NS-CNR-P-C	8,0	7	14	415	*415	1380	160	80	separate	100	1900
TH6-90NS-CNR-P-C	9,0	8	15	415	*415	1380	160	80	separate	100	1900
TH6-105NS-CNR-P	10,5	9	16	415	*415	1380	160	80	separate	100	1900
TH6-120NS-CNR-P	12,0	11	18	415	*415	1380	160	80	separate	100	2100

\*Depth when installed to the wall.



Minimum Safety Distances

Heater Accessories (Optional)



Integration Collars for Corner



MODEL	SIZE OF COLLAR (mm)		
	LENGTH	WIDTH	HEIGHT
TH-COLLAR-ST2-CNR	220	670	45
TH-COLLAR-ST4-CNR	235	730	45
TH-COLLAR-ST6-CNR	245	795	45

MODEL	SIZE OF COLLAR (mm)		
	LENGTH	WIDTH	HEIGHT
TH-COLLAR-W2-CNR-D   A	200	600	45
TH-COLLAR-W4-CNR-D   A	215	670	45
TH-COLLAR-W6-CNR-D   A	235	755	45

MODEL	SIZE OF COLLAR (mm)		
	LENGTH	WIDTH	HEIGHT
TH-COLLAR-S2-CNR	425	425	45
TH-COLLAR-S4-CNR	475	475	45
TH-COLLAR-S6-CNR	535	535	45

Heater Guards for Corner



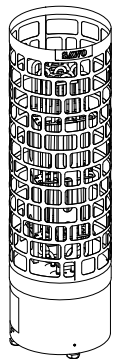
MODEL	SIZE OF GUARD RAIL (mm)		
	LENGTH	WIDTH	HEIGHT
TH-GUARD-W2-CNR-D A	240	595	90
TH-GUARD-W4-CNR-D A	255	670	90
TH-GUARD-W6-CNR-D A	270	755	90

MODEL
TH2   TH3
TH4   TH5
TH6

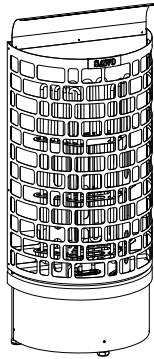
# Aries Heaters

**Aries** heaters are designed with a straightforward structure, yet modern needs in mind. The collection packs a stronger punch heat-wise due to its towering design.

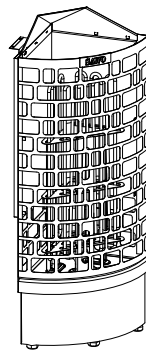
The Aries heaters come in Round, Wall, and Corner models.



Round



Wall



Corner





## Aries ROUND

- » Power range: 4,5 – 18,0kW
- » Available controls: Saunova (Ni2), Saunova/Innova (NS), Built-in (NB)
- » Built-in stone spacer
- » Casing: Stainless steel or black steel
- » Adjustable legs
- » Optional heater guard and integration collar



## Aries WALL

- » Power range: 4,5 – 9,0kW
- » Available controls: Saunova (Ni2), Saunova/Innova (NS), Built-in (NB)
- » Built-in stone spacer
- » Casing: Stainless steel or black steel
- » Adjustable legs
- » Optional heater guard and integration collar



## Aries CORNER

- » Power range: 4,5 – 9,0kW
- » Available controls: Saunova (Ni2), Saunova/Innova (NS), Built-in (NB)
- » Built-in stone spacer
- » Casing: Stainless steel or black steel
- » Adjustable legs
- » Optional heater guard and integration collar



# Aries Round

**Aries Round** is a stylish eye-catcher that delivers consistent heat from top to bottom. It can be placed perfectly in the middle of the sauna or embedded into the benches.





Aries Round (Ni2)



Aries Round Black (Ni2)

Saunova (Ni2)

HEATER MODEL	kW	SAUNA ROOM		SIZE OF HEATER			STONES (kg)	CONTROL	MINIMUM SAFETY DISTANCES	
		MIN	MAX	LENGTH	WIDTH	HEIGHT			A	B
ARI3-45Ni2-P-C   ARI3-45Ni2-BL-P-C	4,5	3	6	300	300	930	60	Saunova	100	1900
ARI3-60Ni2-P-C   ARI3-60Ni2-BL-P-C	6,0	5	9	300	300	930	60	Saunova	100	1900
ARI3-75Ni2-P-C   ARI3-75Ni2-BL-P-C	7,5	7	12	300	300	930	60	Saunova	100	1900
ARI3-90Ni2-P-C   ARI3-90Ni2-BL-P-C	9,0	8	13	300	300	930	60	Saunova	100	1900



Aries Round (NS)



Aries Round Black (NS)

Saunova/Innova (NS)

HEATER MODEL	kW	SAUNA ROOM		SIZE OF HEATER			STONES (kg)	CONTROL	MINIMUM SAFETY DISTANCES	
		MIN	MAX	LENGTH	WIDTH	HEIGHT			A	B
ARI3-45NS-P-C   ARI3-45NS-BL-P-C	4,5	3	6	300	300	930	60	separate	100	1900
ARI3-60NS-P-C   ARI3-60NS-BL-P-C	6,0	5	9	300	300	930	60	separate	100	1900
ARI3-75NS-P-C   ARI3-75NS-BL-P-C	7,5	7	12	300	300	930	60	separate	100	1900
ARI3-90NS-P-C   ARI3-90NS-BL-P-C	9,0	8	14	300	300	930	60	separate	100	1900
ARI6-90NS-P-C   ARI6-90NS-BL-P-C	9,0	8	14	440	440	930	110	separate	100	1900
ARI6-105NS-P   ARI6-105NS-BL-P	10,5	9	15	440	440	930	110	separate	100	1900
ARI6-120NS-P   ARI6-120NS-BL-P	12,0	10	18	440	440	930	110	separate	100	2100
ARI6-150NS-P   ARI6-150NS-BL-P	15,0	13	23	440	440	930	110	separate	100	2100
ARI6-180NS-P   ARI6-180NS-BL-P	18,0	15	26	440	440	930	110	separate	125	2100



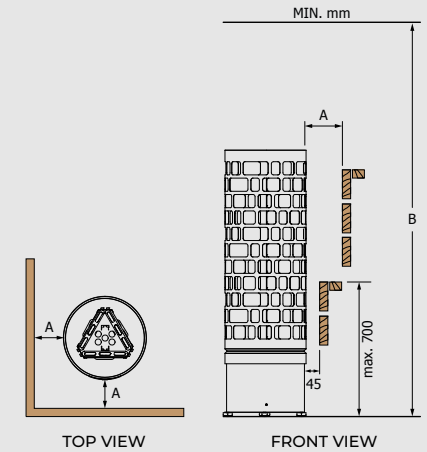
Aries Round (NB)



Aries Round Black (NB)

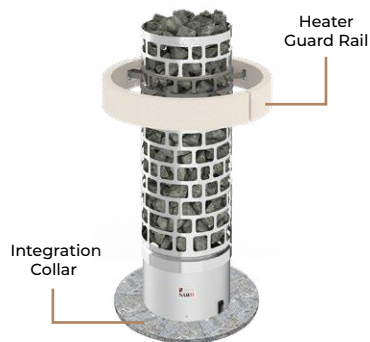
Built-in (NB)

HEATER MODEL	kW	SAUNA ROOM		SIZE OF HEATER			STONES (kg)	CONTROL	MINIMUM SAFETY DISTANCES	
		MIN	MAX	LENGTH	WIDTH	HEIGHT			A	B
ARI3-45NB-P-C   ARI3-45NB-BL-P-C	4,5	3	6	300	300	930	60	built-in (8+4h)	100	1900
ARI3-60NB-P-C   ARI3-60NB-BL-P-C	6,0	5	9	300	300	930	60	built-in (8+4h)	100	1900
ARI3-75NB-P-C   ARI3-75NB-BL-P-C	7,5	7	12	300	300	930	60	built-in (8+4h)	100	1900
ARI3-90NB-P-C   ARI3-90NB-BL-P-C	9,0	8	14	300	300	930	60	built-in (8+4h)	100	1900
ARI6-90NB-P-C   ARI6-90NB-BL-P-C	9,0	8	14	440	440	930	110	built-in (8+4h)	100	1900



Minimum Safety Distances

Heater Accessories (Optional)



Stainless (for ARI3)

MODEL	SIZE OF COLLAR		
	LENGTH (mm)	WIDTH (mm)	HEIGHT (mm)
TH-COLLAR-V2-ST4	420	420	105

Stainless

MODEL	SIZE OF COLLAR		
	LENGTH (mm)	WIDTH (mm)	HEIGHT (mm)
TH-COLLAR-ST4	540	540	45
TH-COLLAR-ST6	640	640	45

Wooden Cedar (D) and Aspen (A)

MODEL	SIZE OF COLLAR		
	LENGTH (mm)	WIDTH (mm)	HEIGHT (mm)
TH-COLLAR-W4-D   A	485	485	45
TH-COLLAR-W6-D   A	540	540	45

Soapstone

MODEL	SIZE OF COLLAR		
	LENGTH (mm)	WIDTH (mm)	HEIGHT (mm)
TH-COLLAR-S4	560	560	45
TH-COLLAR-S6	620	620	45



Wooden Cedar (D) and Aspen (A)

MODEL	SIZE OF GUARD RAIL			MODEL
	WIDTH (mm)	DEPTH (mm)	HEIGHT (mm)	
ARI-GUARD-W3-D   A	570	570	110	ARI3
ARI-GUARD-W6-D   A	700	700	110	ARI6

# Aries Wall

**Aries Wall** is a space-saving wonder that combines practicality and elegance with its sleek design. It is perfect for wall-installation, freeing up valuable space in the sauna.





Aries Wall (Ni2)

Aries Wall Black (Ni2)

Saunova (Ni2)

HEATER MODEL	KW	SAUNA ROOM (m³)		SIZE OF HEATER (mm)			STONES (KG)	CONTROL	MINIMUM SAFETY DISTANCES	
		MIN	MAX	LENGTH	WIDTH	HEIGHT			A	B
ARI3-45Ni2-WL-P-C   ARI3-45Ni2-WL-BL-P-C	4,5	3	6	*250	415	1030	65	Saunova	100	1900
ARI3-60Ni2-WL-P-C   ARI3-60Ni2-WL-BL-P-C	6,0	5	9	*250	415	1030	65	Saunova	100	1900
ARI3-75Ni2-WL-P-C   ARI3-75Ni2-WL-BL-P-C	7,5	7	13	*250	415	1030	65	Saunova	100	1900
ARI3-90Ni2-WL-P-C   ARI3-90Ni2-WL-BL-P-C	9,0	8	14	*250	415	1030	65	Saunova	100	1900



Aries Wall (NS)

Aries Wall Black (NS)

Saunova/Innova (NS)

HEATER MODEL	KW	SAUNA ROOM (m³)		SIZE OF HEATER (mm)			STONES (KG)	CONTROL	MINIMUM SAFETY DISTANCES	
		MIN	MAX	LENGTH	WIDTH	HEIGHT			A	B
ARI3-45NS-WL-P-C   ARI3-45NS-WL-BL-P-C	4,5	3	6	*250	415	1030	65	separate	100	1900
ARI3-60NS-WL-P-C   ARI3-60NS-WL-BL-P-C	6,0	5	9	*250	415	1030	65	separate	100	1900
ARI3-75NS-WL-P-C   ARI3-75NS-WL-BL-P-C	7,5	7	13	*250	415	1030	65	separate	100	1900
ARI3-90NS-WL-P-C   ARI3-90NS-WL-BL-P-C	9,0	8	14	*250	415	1030	65	separate	100	1900



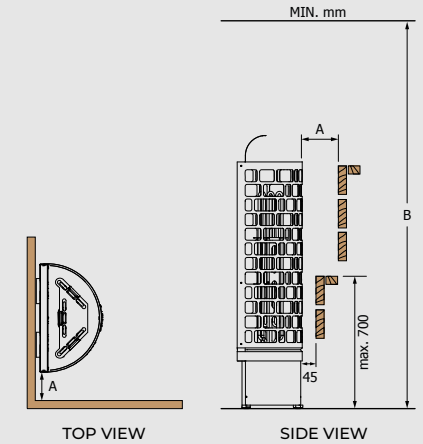
Aries Wall (NB)

Aries Wall Black (NB)

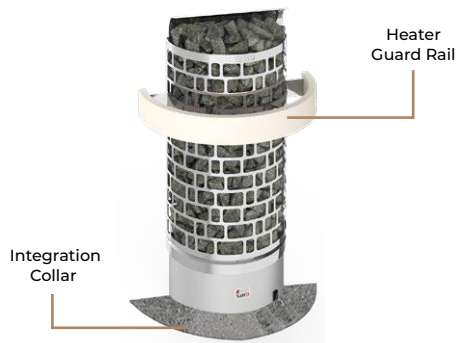
Built-in (NB)

HEATER MODEL	KW	SAUNA ROOM (m³)		SIZE OF HEATER (mm)			STONES (KG)	CONTROL	MINIMUM SAFETY DISTANCES	
		MIN	MAX	LENGTH	WIDTH	HEIGHT			A	B
ARI3-45NB-WL-P-C   ARI3-45NB-WL-BL-P-C	4,5	3	6	*250	415	1030	65	built-in (8+4h)	100	1900
ARI3-60NB-WL-P-C   ARI3-60NB-WL-BL-P-C	6,0	5	9	*250	415	1030	65	built-in (8+4h)	100	1900
ARI3-75NB-WL-P-C   ARI3-75NB-WL-BL-P-C	7,5	7	13	*250	415	1030	65	built-in (8+4h)	100	1900
ARI3-90NB-WL-P-C   ARI3-90NB-WL-BL-P-C	9,0	8	14	*250	415	1030	65	built-in (8+4h)	100	1900

\*Depth when installed to the wall.



Minimum Safety Distances



Heater Accessories (Optional)

Integration Collars for Wall



Stainless



Wooden Cedar (D) and Aspen (A)



Soapstone

MODEL	SIZE OF COLLAR LENGTH (mm)	WIDTH (mm)	HEIGHT (mm)
TH-COLLAR-ST4-WL	380	700	45

MODEL	SIZE OF COLLAR LENGTH (mm)	WIDTH (mm)	HEIGHT (mm)
TH-COLLAR-W4-WL-D   A	385	715	45

MODEL	SIZE OF COLLAR LENGTH (mm)	WIDTH (mm)	HEIGHT (mm)
TH-COLLAR-S4-WL	390	720	45

Heater Guards for Wall



Wooden Cedar (D) and Aspen (A)

MODEL	SIZE OF GUARD RAIL LENGTH (mm)	WIDTH (mm)	HEIGHT (mm)
ARI-GUARD-W3-WL-D   A	665	380	110

MODEL
ARI3

# Aries Corner

**Aries Corner** makes the most of the sauna layout without settling for anything less than exceptional. The Corner model is designed to fit snugly into tight corners, rendering it perfect for saunas with limited space.





Aries Corner (Ni2)



Aries Corner Black (Ni2)

Saunova (Ni2)

HEATER MODEL	kW	SAUNA ROOM (m³)		SIZE OF HEATER (mm)			STONES (KG)	CONTROL	MINIMUM SAFETY DISTANCES	
		MIN	MAX	LENGTH	WIDTH	HEIGHT			A	B
ARI3-45Ni2-CNR-P-C   ARI3-45Ni2-CNR-BL-P-C	4,5	3	6	335	*335	1000	65	Saunova	100	1900
ARI3-60Ni2-CNR-P-C   ARI3-60Ni2-CNR-BL-P-C	6,0	5	9	335	*335	1000	65	Saunova	100	1900
ARI3-75Ni2-CNR-P-C   ARI3-75Ni2-CNR-BL-P-C	7,5	7	13	335	*335	1000	65	Saunova	100	1900
ARI3-90Ni2-CNR-P-C   ARI3-90Ni2-CNR-BL-P-C	9,0	8	14	335	*335	1000	65	Saunova	100	1900



Aries Corner (NS)



Aries Corner Black (NS)

Saunova/Innova (NS)

HEATER MODEL	kW	SAUNA ROOM (m³)		SIZE OF HEATER (mm)			STONES (KG)	CONTROL	MINIMUM SAFETY DISTANCES	
		MIN	MAX	LENGTH	WIDTH	HEIGHT			A	B
ARI3-45NS-CNR-P-C   ARI3-45NS-CNR-BL-P-C	4,5	3	6	335	*335	1000	65	separate	100	1900
ARI3-60NS-CNR-P-C   ARI3-60NS-CNR-BL-P-C	6,0	5	9	335	*335	1000	65	separate	100	1900
ARI3-75NS-CNR-P-C   ARI3-75NS-CNR-BL-P-C	7,5	7	13	335	*335	1000	65	separate	100	1900
ARI3-90NS-CNR-P-C   ARI3-90NS-CNR-BL-P-C	9,0	8	14	335	*335	1000	65	separate	100	1900



Aries Corner (NB)

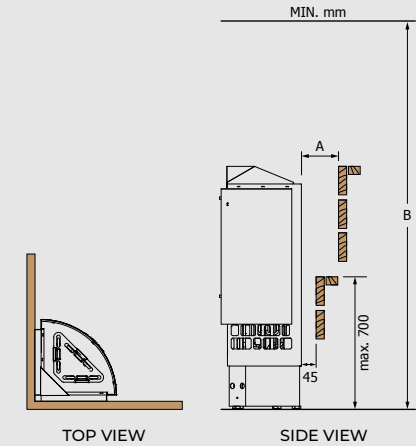


Aries Corner Black (NB)

Built-in (NB)

HEATER MODEL	kW	SAUNA ROOM (m³)		SIZE OF HEATER (mm)			STONES (KG)	CONTROL	MINIMUM SAFETY DISTANCES	
		MIN	MAX	LENGTH	WIDTH	HEIGHT			A	B
ARI3-45NB-CNR-P-C   ARI3-45NB-CNR-BL-P-C	4,5	3	6	335	*335	1000	65	built-in (8+4h)	100	1900
ARI3-60NB-CNR-P-C   ARI3-60NB-CNR-BL-P-C	6,0	5	9	335	*335	1000	65	built-in (8+4h)	100	1900
ARI3-75NB-CNR-P-C   ARI3-75NB-CNR-BL-P-C	7,5	7	19	335	*335	1000	65	built-in (8+4h)	100	1900
ARI3-90NB-CNR-P-C   ARI3-90NB-CNR-BL-P-C	9,0	8	14	335	*335	1000	65	built-in (8+4h)	100	1900

\*Depth when installed to the wall.



Minimum Safety Distances

Heater Accessories (Optional)

Integration Collars for Corner



Stainless

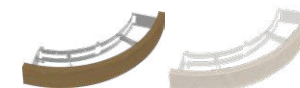


Wooden Cedar (D) and Aspen (A)

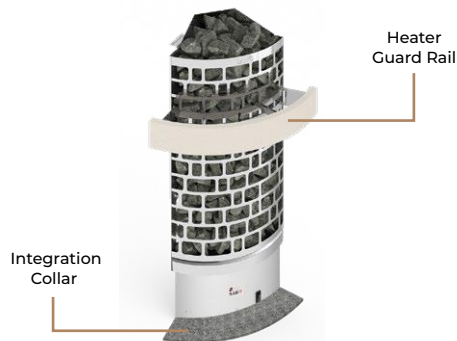


Soapstone

Corner Heater Guards



Wooden Cedar (D) and Aspen (A)



MODEL	SIZE OF COLLAR (mm)		
	LENGTH	WIDTH	HEIGHT
TH-COLLAR-ST4-CNR	235	730	45

MODEL	SIZE OF COLLAR (mm)		
	LENGTH	WIDTH	HEIGHT
TH-COLLAR-W4-CNR-D   A	215	670	45

MODEL	SIZE OF COLLAR (mm)		
	LENGTH	WIDTH	HEIGHT
TH-COLLAR-S4-CNR	475	475	45

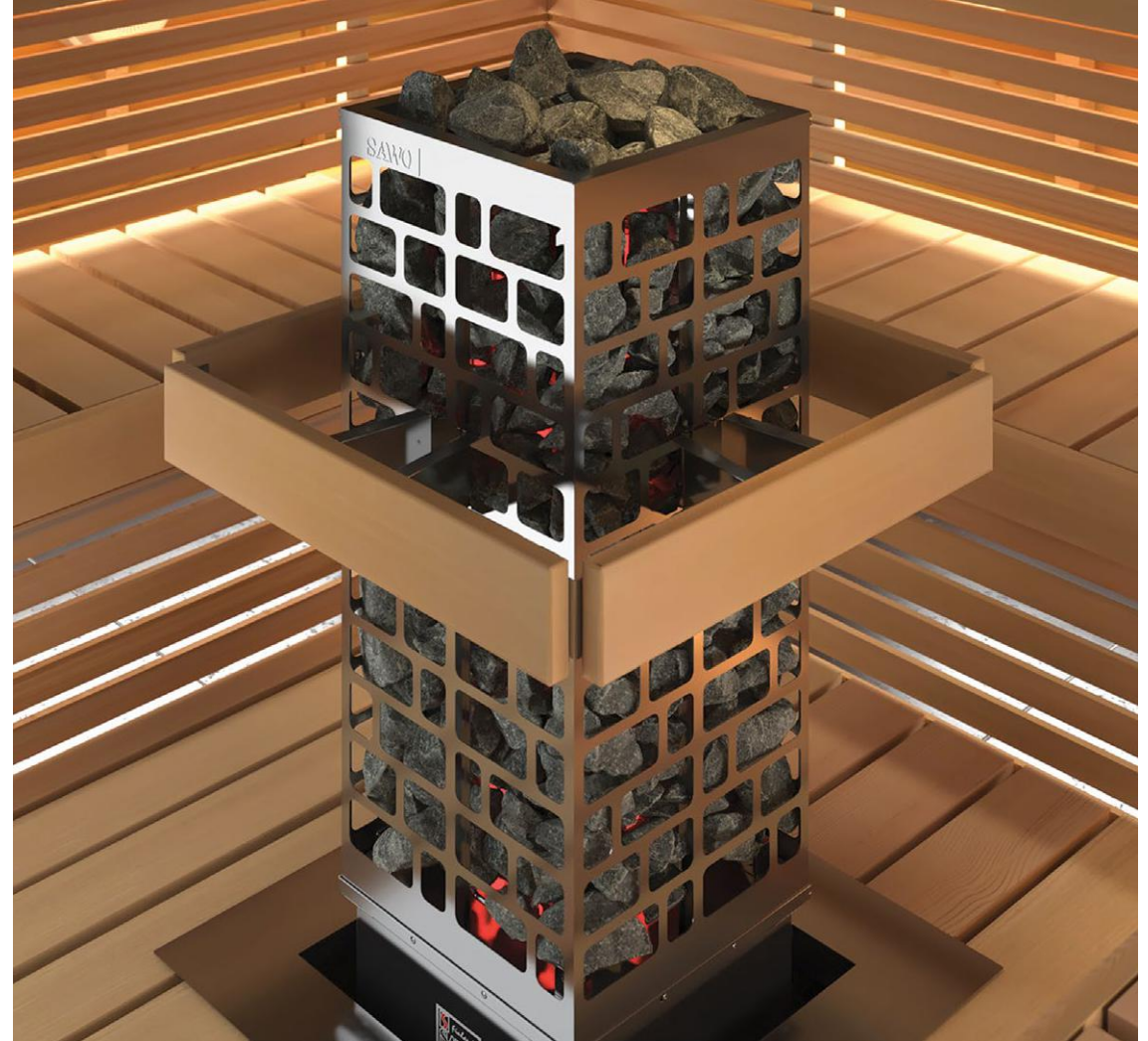
MODEL	SIZE OF GUARD RAIL (mm)		
	LENGTH	WIDTH	HEIGHT
ARI-GUARD-W3-CNR-D   A	215	635	110

MODEL
ARI3

# Cubos

**Cubos** is the ultimate 3-in-1 heater – it can be placed either in the middle, corner or wall of the sauna room. The additional protective cover\* allows for wall and/or corner installation. This modern and versatile heater is truly one of a kind.

\*sold separately



Saunova 2.0 Operated  
(Ni2)

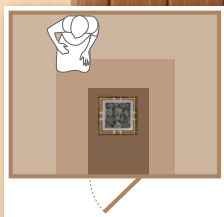


Separate  
(NS)

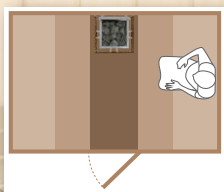


Built-in Control  
(NB)

Middle Installation



Wall Installation with Protective Cover



Corner Installation with Protective Cover



## Cubos

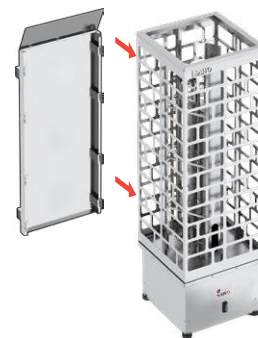
- » Power range: 4,5 – 9,0kW
- » Available controls: Saunova (Ni2), Saunova/Innova (NS), Built-in (NB)
- » Casing: Stainless steel
- » Built-in stone spacer
- » Adjustable legs
- » Optional heater guard and integration collar



## Protective Cover Accessory

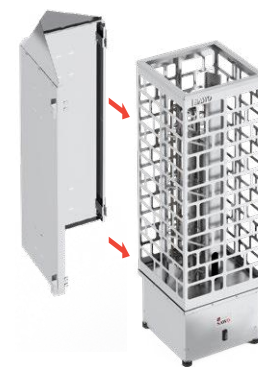
### Wall Installation

The protective cover allows the heater to be installed against the wall, if the sauna is limited in space. The protective cover set for wall installation includes a covering sheet and a reflector that directs heat even to the lowest parts of the sauna room, ensuring that it heats up entirely.



Wall Installation with Protective Cover

MODEL	SIZE OF COVER		
	LENGTH (mm)	WIDTH (mm)	HEIGHT (mm)
CUB-PROCOV-WL	25	285	645



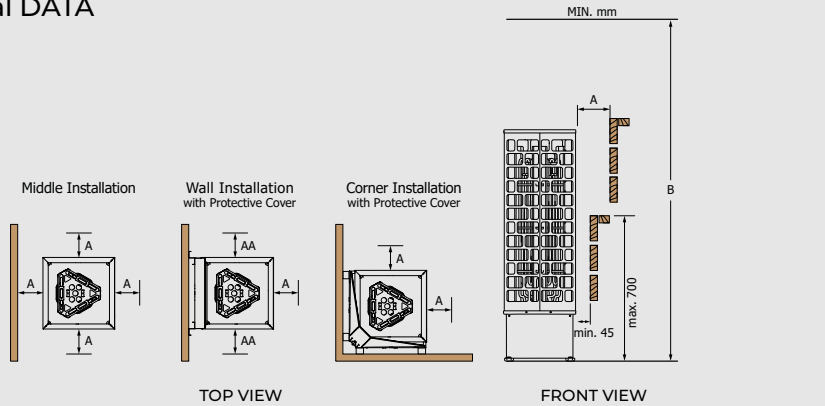
Corner Installation with Protective Cover

### Corner Installation

Cubos quickly changes to corner model with a protective cover for corner. Corner installation saves space and allows for different bench designs. The protective cover for corner set includes two pieces of covering sheet and a reflector.

MODEL	SIZE OF COVER		
	LENGTH (mm)	WIDTH (mm)	HEIGHT (mm)
CUB-PROCOV-CNR	285	285	645

# Technical DATA



Minimum Safety Distances



## Heater Accessories (Optional)

### Integration Collars for Cubos

Wooden Collar for CUB3 Middle Installation Cedar (D) and Aspen (A)			
MODEL	SIZE OF COLLAR LENGTH (mm)	WIDTH (mm)	HEIGHT (mm)
CUB-COLLAR-W3-D	540	540	45
CUB-COLLAR-W3-A	540	540	45

Wooden Collar for CUB3 Wall Installation Cedar (D) and Aspen (A)			
MODEL	SIZE OF COLLAR LENGTH (mm)	WIDTH (mm)	HEIGHT (mm)
CUB-COLLAR-W3-WL-D	465	465	45
CUB-COLLAR-W3-WL-A	465	465	45

Wooden Collar for CUB3 Corner Installation Cedar (D) and Aspen (A)			
MODEL	SIZE OF COLLAR LENGTH (mm)	WIDTH (mm)	HEIGHT (mm)
CUB-COLLAR-W3-CNR-D	540	540	45
CUB-COLLAR-W3-CNR-A	540	540	45

Stainless Steel Collar for CUB3 Middle Installation			
MODEL	SIZE OF COLLAR LENGTH (mm)	WIDTH (mm)	HEIGHT (mm)
CUB-COLLAR-ST3	525	525	45

Stainless Steel Collar for CUB3 Wall Installation			
MODEL	SIZE OF COLLAR LENGTH (mm)	WIDTH (mm)	HEIGHT (mm)
CUB-COLLAR-ST3-WL	460	525	45

Stainless Steel Collar for CUB3 Corner Installation			
MODEL	SIZE OF COLLAR LENGTH (mm)	WIDTH (mm)	HEIGHT (mm)
CUB-COLLAR-ST3-CNR	460	460	45

Soapstone Collar for CUB3 Middle Installation			
MODEL	SIZE OF COLLAR LENGTH (mm)	WIDTH (mm)	HEIGHT (mm)
CUB-COLLAR-S3	535	535	45

Soapstone Collar for CUB3 Wall Installation			
MODEL	SIZE OF COLLAR LENGTH (mm)	WIDTH (mm)	HEIGHT (mm)
CUB-COLLAR-S3-WL	465	535	45

Soapstone Collar for CUB3 Corner Installation			
MODEL	SIZE OF COLLAR LENGTH (mm)	WIDTH (mm)	HEIGHT (mm)
CUB-COLLAR-S3-CNR	465	465	45

### Heater Guards for Cubos

Wooden Heater Guard for CUB3 Middle Installation Cedar (D) and Aspen (A)			
MODEL	SIZE OF GUARD RAIL LENGTH (mm)	WIDTH (mm)	HEIGHT (mm)
CUB-GUARD-W3-D	530	530	90
CUB-GUARD-W3-A	530	530	90

Wooden Heater Guard for CUB3 Wall Installation Cedar (D) and Aspen (A)			
MODEL	SIZE OF GUARD RAIL LENGTH (mm)	WIDTH (mm)	HEIGHT (mm)
CUB-GUARD-W3-WL-D	460	530	90
CUB-GUARD-W3-WL-A	460	530	90

Wooden Heater Guard for CUB3 Corner Installation Cedar (D) and Aspen (A)			
MODEL	SIZE OF GUARD RAIL LENGTH (mm)	WIDTH (mm)	HEIGHT (mm)
CUB-GUARD-W3-CNR-D	460	460	90
CUB-GUARD-W3-CNR-A	460	460	90

## Saunova (Ni2)

HEATER MODEL	kW	SAUNA ROOM		SIZE OF HEATER (w/ WALL INSTALLATION) (mm)							STONES (KG)	CONTROL	MINIMUM SAFETY DISTANCES		
		MIN	MAX	MIDDLE		WALL		CORNER		HEIGHT			A	AA	B
		(m <sup>2</sup> )		LENGTH	WIDTH	LENGTH	WIDTH	LENGTH	WIDTH						
CUB3-45Ni2-P-C	4,5	3	6	290	290	290	340	340	340	930	75	Saunova	100	100	1900
CUB3-60Ni2-P-C	6,0	5	9	290	290	290	340	340	340	930	75	Saunova	100	100	1900
CUB3-75Ni2-P-C	7,5	7	13	290	290	290	340	340	340	930	75	Saunova	100	135	1900
CUB3-90Ni2-P-C	9,0	8	14	290	290	290	340	340	340	930	75	Saunova	125	135	1900

## Saunova/Innova (NS)

HEATER MODEL	kW	SAUNA ROOM		SIZE OF HEATER (w/ WALL INSTALLATION) (mm)							STONES (KG)	CONTROL	MINIMUM SAFETY DISTANCES		
		MIN	MAX	MIDDLE		WALL		CORNER		HEIGHT			A	AA	B
		(m <sup>2</sup> )		LENGTH	WIDTH	LENGTH	WIDTH	LENGTH	WIDTH						
CUB3-45NS-P-C	4,5	3	6	290	290	290	340	340	340	930	75	separate	100	100	1900
CUB3-60NS-P-C	6,0	5	9	290	290	290	340	340	340	930	75	separate	100	100	1900
CUB3-75NS-P-C	7,5	7	13	290	290	290	340	340	340	930	75	separate	100	135	1900
CUB3-90NS-P-C	9,0	8	14	290	290	290	340	340	340	930	75	separate	125	135	1900

## Built-in (NB)

HEATER MODEL	kW	SAUNA ROOM		SIZE OF HEATER (w/ WALL INSTALLATION) (mm)							STONES (KG)	CONTROL	MINIMUM SAFETY DISTANCES		
		MIN	MAX	MIDDLE		WALL		CORNER		HEIGHT			A	AA	B
		(m <sup>2</sup> )		LENGTH	WIDTH	LENGTH	WIDTH	LENGTH	WIDTH						
CUB3-45NB-P-C	4,5	3	6	290	290	290	340	340	340	930	75	built-in (8+4h)	100	100	1900
CUB3-60NB-P-C	6,0	5	9	290	290	290	340	340	340	930	75	built-in (8+4h)	100	100	1900
CUB3-75NB-P-C	7,5	7	13	290	290	290	340	340	340	930	75	built-in (8+4h)	100	135	1900
CUB3-90NB-P-C	9,0	8	14	290	290	290	340	340	340	930	75	built-in (8+4h)	125	135	1900

# Phoenix

Rising from the ashes, our **Phoenix** heater makes the user feel reborn and refreshed.

The broadening shape, inspired by the Olympic torch, allows more stones to be placed in the top, ensuring the creation of a greater amount of pampering steam.

- » Power range: 4,5 – 18,0kW
- » Available controls: Saunova (Ni2), Saunova/Innova (NS)
- » Stainless steel tubes hold the stones
- » Stone spacer inside to prolong heating elements lifespan
- » Floor standing
- » Can fit from 85kg to 130kg of stones
- » Adjustable legs
- » Optional heater guard and integration collar





## SAUNA HEATERS | Tower Series



Phoenix (Ni2)



Phoenix (NS)

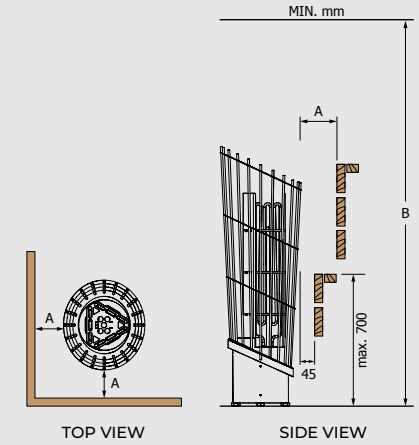
### Saunova (Ni2)

HEATER MODEL	kW	SAUNA ROOM (m³)		SIZE OF HEATER (mm)			STONES (KG)	CONTROL	MINIMUM SAFETY DISTANCES (mm)	
		MIN	MAX	LENGTH	WIDTH	HEIGHT			A	B
PNX3-45Ni2-P-C	4,5	3	6	340	375	1100	85	Saunova	100	1900
PNX3-60Ni2-P-C	6,0	5	9	340	375	1100	85	Saunova	125	1900
PNX3-75Ni2-P-C	7,5	7	13	340	375	1100	85	Saunova	125	1900
PNX3-90Ni2-P-C	9,0	8	14	340	375	1100	85	Saunova	150	1900
PNX6-90Ni2-P-C	9,0	8	15	475	525	1175	130	Saunova	150	1900

### Saunova/Innova (NS)

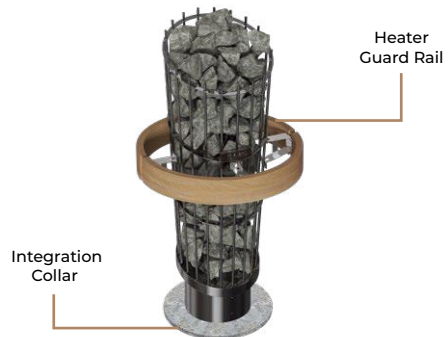
HEATER MODEL	kW	SAUNA ROOM (m³)		SIZE OF HEATER (mm)			STONES (KG)	CONTROL	MINIMUM SAFETY DISTANCES (mm)	
		MIN	MAX	LENGTH	WIDTH	HEIGHT			A	B
PNX3-45NS-P-C	4,5	3	6	340	375	1100	85	separate	100	1900
PNX3-60NS-P-C	6,0	5	9	340	375	1100	85	separate	125	1900
PNX3-75NS-P-C	7,5	7	12	340	375	1100	85	separate	125	1900
PNX3-90NS-P-C	9,0	8	14	340	375	1100	85	separate	150	1900
PNX6-90NS-P-C	9,0	8	15	475	525	1175	130	separate	150	1900
PNX6-105NS-P	10,5	9	16	475	525	1175	130	separate	150	1900
PNX6-120NS-P	12,0	11	18	475	525	1175	130	separate	150	2100
PNX6-150NS-P	15,0	14	25	475	525	1175	130	separate	150	2100
PNX6-180NS-P	18,0	18	28	475	525	1175	130	separate	175	2100

## Technical DATA



Minimum Safety Distances

### Heater Accessories (Optional)



#### Integration Collars for Phoenix



Stainless steel



Stainless steel



Wooden  
Cedar (D) and Aspen (A)



Soapstone



Wooden  
Cedar (D) and Aspen (A)

MODEL	SIZE OF COLLAR (mm)		
	LENGTH	WIDTH	HEIGHT
TH-COLLAR-V2-ST4	420	420	105

MODEL	SIZE OF COLLAR (mm)		
	LENGTH	WIDTH	HEIGHT
TH-COLLAR-ST4	540	540	45
TH-COLLAR-ST9	640	640	45

MODEL	SIZE OF COLLAR (mm)		
	LENGTH	WIDTH	HEIGHT
TH-COLLAR-W4-D   A	200	495	150
TH-COLLAR-W9-D   A	233	608	150

MODEL	SIZE OF COLLAR (mm)		
	LENGTH	WIDTH	HEIGHT
TH-COLLAR-S4	560	560	45
TH-COLLAR-S9	690	690	45

MODEL	SIZE OF GUARD RAIL (mm)		
	LENGTH	WIDTH	HEIGHT
PNX-GUARD-W3-A   D	560	560	90

MODEL
PNX3
PNX6



# Heaterking

**Heaterking** heaters by Stefan Lindfors emanate king-size heat and feature a bold design cover.

Its unique, stainless steel Junglefir pattern decorates the cover with style.

The Heaterking comes in Round, Wall, and Corner models.



(NS)

## Heaterking ROUND

- » Power range: 3,0 – 24,0kW
- » Available controls: Saunova/Innova (NS)
- » Casing: Stainless steel with intricate Junglefir pattern
- » Stone spacer inside to prolong heating elements lifespan
- » Can fit from 60kg to 360kg of stones
- » Adjustable legs
- » Optional heater guard



(NS)

## Heaterking WALL

- » Power range: 3,0 – 24,0kW
- » Available controls: Saunova/Innova (NS)
- » Casing: Stainless steel with intricate Junglefir pattern
- » Stone spacer inside to prolong heating elements lifespan
- » Can fit from 60kg to 250kg of stones
- » Wall type stainless steel casing
- » Adjustable legs
- » Heat reflector included



(NS)

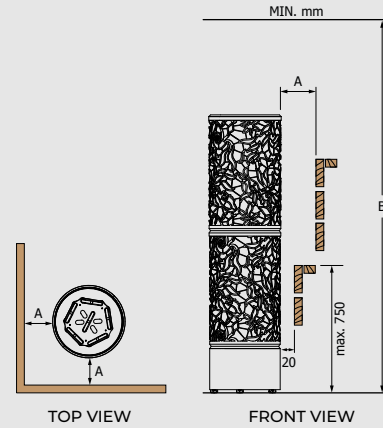
## Heaterking CORNER

- » Power range: 3,5 – 12,0kW
- » Available controls: Saunova/Innova (NS)
- » Casing: Stainless steel with intricate Junglefir pattern
- » Stone spacer inside to prolong heating elements lifespan
- » Can fit from 45kg to 160kg of stones
- » Corner-type stainless steel casing
- » Adjustable legs
- » Heat reflector included

# Technical DATA



Heaterking ROUND



Minimum Safety Distances

## Saunova/Innova (NS)

HEATER MODEL	kW	SAUNA ROOM		SIZE OF HEATER			STONES		CONTROL	MINIMUM SAFETY DISTANCES	
		MIN	MAX	LENGTH	WIDTH	HEIGHT	Without Stone Spacer	With Stone Spacer		A	B
DRFT2-30NS-P	3,0	2	4	250	250	1325	70	60	separate	150	1900
DRFT3-35NS-P-C	3,5	3	6	250	250	1325	70	60	separate	100	1900
DRFT3-45NS-P-C	4,5	3	6	250	250	1325	70	60	separate	100	1900
DRFT3-60NS-P-C	6,0	5	8	250	250	1325	70	60	separate	150	1900
DRFT4-60NS-P-C	6,0	5	9	295	295	1325	105	90	separate	100	1900
DRFT5-80NS-P-C	8,0	8	14	295	295	1325	105	90	separate	200	1900
DRFT5-90NS-P-C	9,0	8	14	295	295	1325	105	90	separate	200	1900
DRFT6-80NS-P-C	8,0	7	14	355	355	1325	160	100	separate	100	1900
DRFT6-90NS-P-C	9,0	8	15	355	355	1325	160	100	separate	100	1900
DRFT6-105NS-P	10,5	9	16	355	355	1325	160	100	separate	150	1900
DRFT6-120NS-P	12,0	11	18	355	355	1325	160	100	separate	200	2100
DRFT9-105NS-P	10,5	10	16	425	425	1325	230	165	separate	150	2100
DRFT9-120NS-P	12,0	11	20	425	425	1325	230	165	separate	150	2100
DRFT9-150NS-P	15,0	14	25	425	425	1325	230	165	separate	200	2100
DRFT9-180NS-P	18,0	18	28	425	425	1325	230	165	separate	200	2100
DRFT12-150NS-P	15,0	15	26	525	525	1325	360	220	separate	200	2300
DRFT12-180NS-P	18,0	18	30	525	525	1325	360	220	separate	200	2300
DRFT12-210NS-P	21,0	22	35	525	525	1325	360	220	separate	200	2300
DRFT12-240NS-P	24,0	24	40	525	525	1325	360	220	separate	200	2300



## Heater Accessories (Optional)

### Heaterking Round Heater Guards



Wooden Heater Guard for DRFT 2 and 3 H.E Round Cedar (D) and Aspen (A)

MODEL	SIZE OF GUARD RAIL	LENGTH	WIDTH	HEIGHT
DRFT-W2-D	510	510	105	
DRFT-W2-A	510	510	105	



Wooden Heater Guard for DRFT 4 and 5 H.E Round Cedar (D) and Aspen (A)

MODEL	SIZE OF GUARD RAIL	LENGTH	WIDTH	HEIGHT
DRFT-W4-D	560	560	105	
DRFT-W4-A	560	560	105	



Wooden Heater Guard for DRFT 6 H.E Round Cedar (D) and Aspen (A)

MODEL	SIZE OF GUARD RAIL	LENGTH	WIDTH	HEIGHT
DRFT-W6-D	620	620	105	
DRFT-W6-A	620	620	105	



Wooden Heater Guard for DRFT 9 H.E Round Cedar (D) and Aspen (A)

MODEL	SIZE OF GUARD RAIL	LENGTH	WIDTH	HEIGHT
DRFT-W9-D	690	690	105	
DRFT-W9-A	690	690	105	



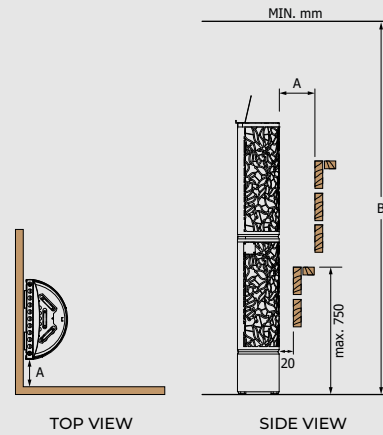
Wooden Heater Guard for DRFT 12 H.E Round Cedar (D) and Aspen (A)

MODEL	SIZE OF GUARD RAIL	LENGTH	WIDTH	HEIGHT
DRFT-W12-D	790	790	105	
DRFT-W12-A	790	790	105	

## Technical DATA



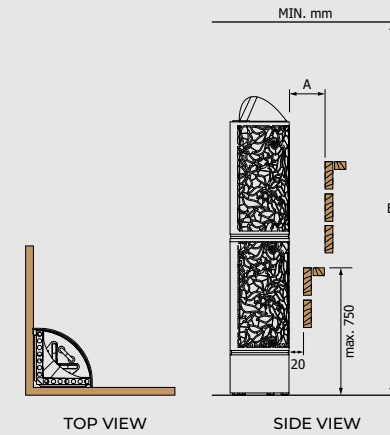
Heaterking WALL



Minimum Safety Distances



Heaterking CORNER



Minimum Safety Distances

### Saunova/Innova (NS)

HEATER MODEL	kW	SAUNA ROOM		SIZE OF HEATER			STONES		CONTROL	MINIMUM SAFETY DISTANCES	
		MIN (m <sup>2</sup> )	MAX	LENGTH	WIDTH	HEIGHT	Without Stone Spacer	With Stone Spacer (kg)		A	B
DRFT3-35NS-WL-P-C	3,5	3	6	*220	395	1440	80	60	separate	100	1900
DRFT3-45NS-WL-P-C	4,5	3	6	*220	395	1440	80	60	separate	100	1900
DRFT3-60NS-WL-P-C	6,0	5	8	*220	395	1440	80	60	separate	100	1900
DRFT6-80NS-WL-P-C	8,0	7	14	*300	550	1475	160	105	separate	100	1900
DRFT6-90NS-WL-P-C	9,0	8	15	*300	550	1475	160	105	separate	100	1900
DRFT6-105NS-WL-P	10,5	9	16	*300	550	1475	160	105	separate	100	1900
DRFT6-120NS-WL-P	12,0	11	18	*300	550	1475	160	105	separate	100	2100
DRFT9-105NS-WL-P	10,5	10	16	*350	650	1510	180	115	separate	100	2100
DRFT9-120NS-WL-P	12,0	11	20	*350	650	1510	180	115	separate	100	2100
DRFT9-150NS-WL-P	15,0	14	25	*350	650	1510	180	115	separate	100	2100
DRFT9-180NS-WL-P	18,0	18	28	*350	650	1510	180	115	separate	100	2100
DRFT12-150NS-WL-P	15,0	15	26	*420	790	1545	250	165	separate	100	2300
DRFT12-180NS-WL-P	18,0	18	30	*420	790	1545	250	165	separate	100	2300
DRFT12-210NS-WL-P	21,0	22	35	*420	790	1545	250	165	separate	100	2300
DRFT12-240NS-WL-P	24,0	24	40	*420	790	1545	250	165	separate	100	2300

\*Depth when installed to the wall.

### Saunova/Innova (NS)

HEATER MODEL	kW	SAUNA ROOM		SIZE OF HEATER			STONES		CONTROL	MINIMUM SAFETY DISTANCES	
		MIN (m <sup>2</sup> )	MAX	LENGTH	WIDTH	HEIGHT	Without Stone Spacer	With Stone Spacer (kg)		A	B
DRFT3-35NS-CNR-P-C	3,5	3	6	*300	300	1410	70	45	separate	100	1900
DRFT3-45NS-CNR-P-C	4,5	3	6	*300	300	1410	70	45	separate	100	1900
DRFT3-60NS-CNR-P-C	6,0	5	8	*300	300	1410	70	45	separate	100	1900
DRFT6-80NS-CNR-P-C	8,0	7	14	*410	410	1430	160	100	separate	100	1900
DRFT6-90NS-CNR-P-C	9,0	8	15	*410	410	1430	160	100	separate	100	1900
DRFT6-105NS-CNR-P	10,5	9	16	*410	410	1430	160	100	separate	100	1900
DRFT6-120NS-CNR-P	12,0	11	18	*410	410	1430	160	100	separate	100	2100

\*Depth when installed to the wall.



# Fiberjungle

**Fiberjungle** by Stefan Lindfors features a unique design – coated with eye-catching black fiber. While bold and gorgeous, the heater also has a cool-to-touch coating for increased safety around the heater.



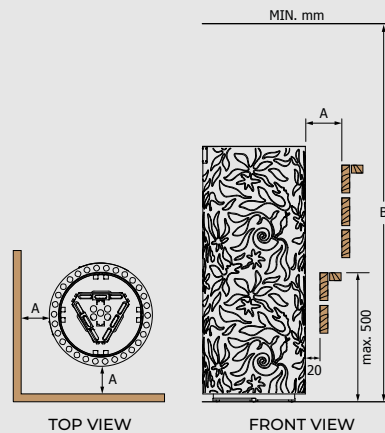
(NS)

- » Power range: 4,5 – 9,0kW
- » Available controls: Saunova/Innova (NS)
- » Adjustable legs

## Technical DATA



Fiberjungle



Minimum Safety Distances

## Saunova/Innova (NS)

HEATER MODEL	kW	SAUNA ROOM		SIZE OF HEATER			STONES (KG)	CONTROL	MINIMUM SAFETY DISTANCES	
		MIN (m³)	MAX	LENGTH	WIDTH (mm)	HEIGHT			A	B
DRF3-45NS-P-C	4,5	3	6	300	300	930	60	separate	100	1900
DRF3-60NS-P-C	6,0	5	9	300	300	930	60	separate	100	1900
DRF3-75NS-P-C	7,5	7	12	300	300	930	60	separate	100	1900
DRF3-90NS-P-C	9,0	8	13	300	300	930	60	separate	100	1900





Sauna HEATERS

# FLOOR Series

Our Floor series features movable, sleek, and durable high-performance standalone heaters that ensure optimal heat distribution and comfort. Due to having more heater placement options, the heaters allow for a more customized look of the sauna room.

SAWO  
WARNING! VARNING! VYSTRAHA! ADVERTENCIA! WAARSCHUWING!  
VARNING! VARNING! VARNING! VYSTRAHA! ADVERTENCIA! WAARSCHUWING!  
VARNING! OPOZORILO! VARNING! OSTRZEZENIE! FIGYELMEZTETES! AVER TROSEBEN!



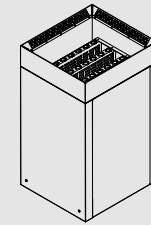
# Nordex Pro

The newest addition to the trusted Nordex lineup, the **Nordex Pro** is engineered for long-lasting performance. Its separate stone compartment protects the heating elements and extends the unit's lifespan, while a pull-out cassette tray ensures effortless maintenance.

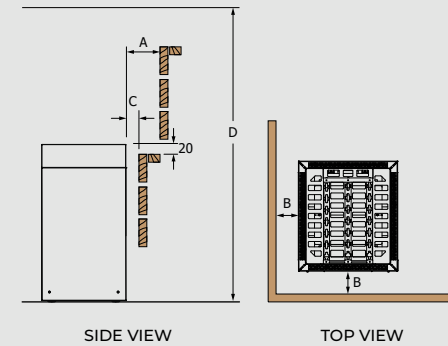
Although available in one physical size, the model can be paired with up to two additional units for a maximum of 27,0kW in larger sauna rooms.



## Technical DATA



Nordex Pro



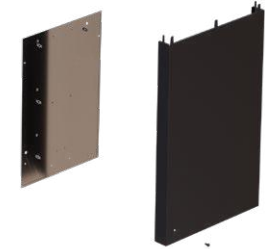
SIDE VIEW TOP VIEW  
Minimum Safety Distances



Nordex Pro Connection Kit



The pull-out tray allows the user to easily change, service, or check the heating elements. This also makes replacing the heater stones easy, as they do not come into contact with the heating elements.



The Nordex Pro Connection Kit\* is required in order to connect two or more Pros.

\*sold separately

## Saunova/Innova (NS)

HEATER MODEL	kW	SAUNA ROOM		SIZE OF HEATER			STONES (kg)	CONTROL	MINIMUM SAFETY DISTANCES			
		MIN (m³)	MAX (m³)	LENGTH (mm)	WIDTH (mm)	HEIGHT (mm)			A	B	C	D
NRN-PRO-60NS-BL-Z-C	6,0	5	9	410	370	705	60	separate	50	50	5	1900
NRN-PRO-80NS-BL-Z-C	8,0	8	14	410	370	705	60	separate	80	80	5	1900
NRN-PRO-90NS-BL-Z-C	9,0	8	14	410	370	705	60	separate	80	80	5	1900



Nordex Pro (NS)

- » Power range: 6,0 – 9,0kW
- » Available controls: Saunova/Innova (NS)
- » Adjustable legs

## Heater Accessories (Optional)

### Nordex Pro Heater Guards



Wooden Cedar (D) and Aspen (A)

MODEL	SIZE OF GUARD RAIL (mm)		
	LENGTH	WIDTH	HEIGHT
NRN-PRO-GUARD-W-D	430	470	85
NRN-PRO-GUARD-W-A	430	470	85



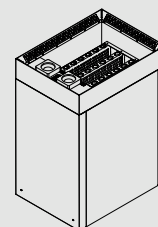
# Nordex Pro Combi

Building on the Nordex tradition, the **Nordex Pro Combi** introduces an enhanced design that combines efficient heating with the added comfort of steam. An integrated water tank delivers gentle humidity, while the separated stone and element design enhances durability.

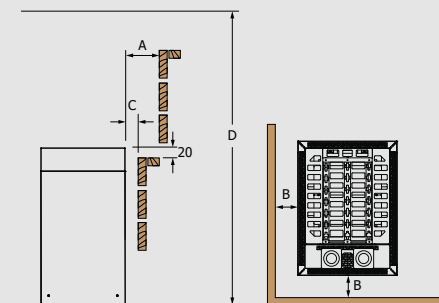
The Nordex Pro Combi's pull-out cassette tray simplifies maintenance, and the model can be paired with up to two additional units for a maximum of 27,0kW + 6,0kW in larger sauna rooms.



## Technical DATA



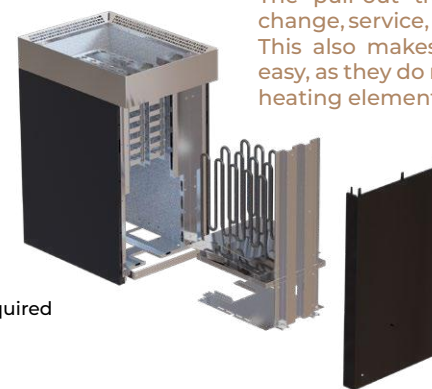
Nordex Pro Combi



SIDE VIEW  
TOP VIEW  
Minimum Safety Distances



Nordex Pro Connection Kit



The pull-out tray allows the user to easily change, service, or check the heating elements. This also makes replacing the heater stones easy, as they do not come into contact with the heating elements.

The Nordex Pro Connection Kit\* is required in order to connect two or more Pros.

\*sold separately

## Saunova/Innova (NS)

HEATER MODEL	kW HEATER	kW TANK	SAUNA ROOM		SIZE OF HEATER			STONES (kg)	CONTROL	MINIMUM SAFETY DISTANCES			
			MIN (m²)	MAX (m²)	LENGTH (mm)	WIDTH (mm)	HEIGHT (mm)			A	B	C	D
NRNC-PRO-60NS-BL-Z-C	6,0	1 x 0,8	5	9	500	370	705	60	separate	80	80	20	1900
NRNC-PRO-80NS-BL-Z-C	8,0	1 x 2,0	7	13	500	370	705	60	separate	80	80	20	1900
NRNC-PRO-90NS-BL-Z-C	9,0	1 x 2,0	8	14	500	370	705	60	separate	80	80	20	1900



Nordex Pro Combi (NS)

- » Power range: 6,0 – 9,0kW
- » Available controls: Saunova/Innova (NS)
- » Built-in aroma cups
- » Adjustable legs
- » Separate water tank with 0,8kW steam generator

## Heater Accessories (Optional)

### Nordex Pro Combi Heater Guards



Wooden Cedar (D) and Aspen (A)

MODEL	SIZE OF GUARD RAIL (mm)		
	LENGTH	WIDTH	HEIGHT
NRNC-PRO-GUARD-W-D	430	560	85
NRNC-PRO-GUARD-W-A	470	560	85



# Nordex S

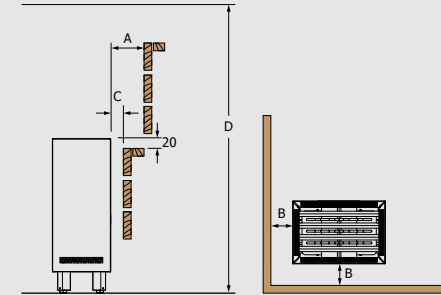
**Nordex S** is an updated version of Nordex Floor with slimmer design to allow for easier heater placement for different layouts.



## Technical DATA



Nordex S



SIDE VIEW

TOP VIEW

Minimum Safety Distances

- » Power range: 6,0 – 9,0kW
- » Available controls: Saunova/Innova (NS)
- » Adjustable legs

### Saunova/Innova (NS)

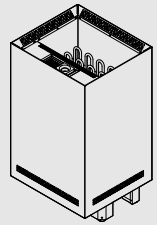
HEATER MODEL	kW	SAUNA ROOM		SIZE OF HEATER			STONES (KG)	CONTROL	MINIMUM SAFETY DISTANCES			
		MIN (m <sup>2</sup> )	MAX	LENGTH	WIDTH (mm)	HEIGHT			A	B	C	D
NRNS-60NS-Z-C	6,0	5	9	270	395	710	18 - 25	separate	50	50	5	1900
NRNS-60NS-BL-Z-C	6,0	5	9	270	395	710	18 - 25	separate	50	50	5	1900
NRNS-80NS-Z-C	8,0	7	13	270	395	710	18 - 25	separate	80	80	5	1900
NRNS-80NS-BL-Z-C	8,0	7	13	270	395	710	18 - 25	separate	80	80	5	1900
NRNS-90NS-Z-C	9,0	8	14	270	395	710	18 - 25	separate	80	80	5	1900
NRNS-90NS-BL-Z-C	9,0	8	14	270	395	710	18 - 25	separate	80	80	5	1900



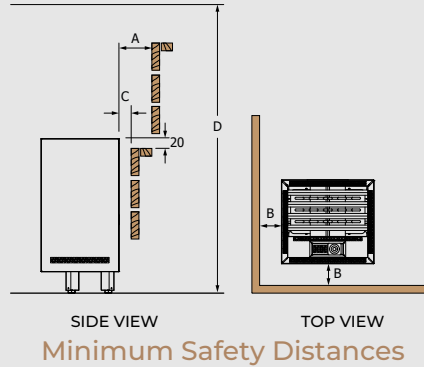
Nordex S (NS)



Nordex S Black (NS)



Nordex S Combi



- » Power range: 6,0 – 9,0kW
- » Available controls: Saunova/Innova (NS)
- » Separate water tank with 0,8kW or 2,0kW steam generator
- » Built-in aroma cups
- » Adjustable legs

Saunova/Innova (NS)

HEATER MODEL	kW HEATER	kW TANK	SAUNA ROOM		SIZE OF HEATER			STONES (kg)	CONTROL	MINIMUM SAFETY DISTANCES			
			MIN	MAX (m²)	LENGTH	WIDTH (mm)	HEIGHT			A	B	C	D
NRNSC-60NS-Z-C	6,0	1 x 0,8	5	9	360	395	710	18 – 25	separate	5	50	5	1900
NRNSC-60NS-BL-Z-C	6,0	1 x 0,8	5	9	360	395	710	18 – 25	separate	5	50	5	1900
NRNSC-80NS-Z-C	8,0	1 x 2,0	7	13	360	395	710	18 – 25	separate	5	80	5	1900
NRNSC-80NS-BL-Z-C	8,0	1 x 2,0	7	13	360	395	710	18 – 25	separate	5	80	5	1900
NRNSC-90NS-Z-C	9,0	1 x 2,0	8	14	360	395	710	18 – 25	separate	5	80	5	1900
NRNSC-90NS-BL-Z-C	9,0	1 x 2,0	8	14	360	395	710	18 – 25	separate	5	80	5	1900



Nordex S Combi (NS)



Nordex S Combi Black (NS)

# Nordex S Combi

The **Nordex S Combi** is now available in a steamier version. Balance the intense heat with an additional water tank for more steam. Also available with a black metal casing.

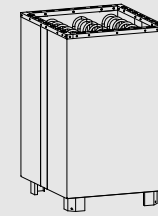


# Nordex Floor

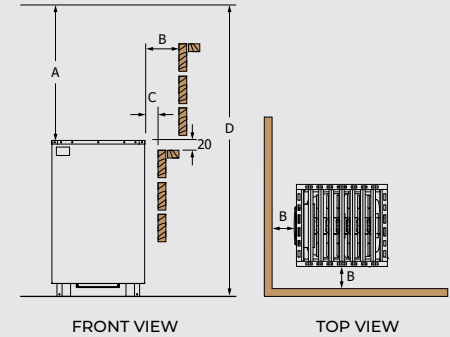
**Nordex floor** is a floor-mounted heater with straightforward design and quality performance. It is available with stainless steel or black metal casing.



## Technical DATA



Nordex Floor



Minimum Safety Distances

- » Power range: 9,0 – 24,0kW
- » Available controls: Saunova/Innova (NS)
- » Adjustable legs



## Saunova/Innova (NS)

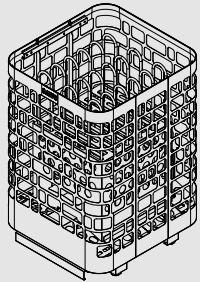
HEATER MODEL	kW	SAUNA ROOM (m <sup>2</sup> )		SIZE OF HEATER (mm)			STONES (kg)	CONTROL	MINIMUM SAFETY DISTANCES			
		MIN	MAX	LENGTH	WIDTH	HEIGHT			A	B	C	D
NRNF-90NS-Z   NRNF-90NS-BL-Z	9,0	8	14	450	400	670	45	separate	1200	120	50	1900
NRNF-105NS-Z   NRNF-105NS-BL-Z	10,5	9	15	450	400	670	45	separate	1200	120	60	1900
NRNF-120NS-Z   NRNF-120NS-BL-Z	12,0	10	18	450	400	670	45	separate	1400	130	70	2100
NRNF-150NS-Z   NRNF-150NS-BL-Z	15,0	13	23	595	400	670	55	separate	1400	160	100	2100
NRNF-180NS-Z   NRNF-180NS-BL-Z	18,0	17	29	595	400	670	55	separate	1400	160	100	2100
NRNF-180NS-V12-Z   NRNF-180NS-BL-V12-Z	18,0	18	30	740	400	670	75	separate	1400	160	100	2100
NRNF-210NS-V12-Z   NRNF-210NS-BL-V12-Z	21,0	22	35	740	400	670	75	separate	1400	160	100	2100
NRNF-240NS-V12-Z   NRNF-240NS-BL-V12-Z	24,0	26	42	740	400	670	75	separate	1400	160	100	2100



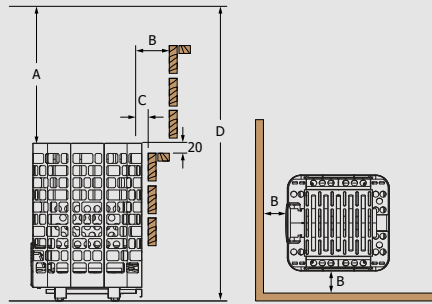
Nordex Floor (NS)



Nordex Floor Black (NS)



Krios Floor



FRONT VIEW TOP VIEW  
Minimum Safety Distances

- » Power range: 9,0 – 24,0kW
- » Available controls: Saunova/Innova (NS)
- » Adjustable legs



Saunova/Innova (NS)

HEATER MODEL	kW	SAUNA ROOM		SIZE OF HEATER			STONES (kg)	CONTROL	MINIMUM SAFETY DISTANCES			
		MIN (m³)	MAX (m³)	LENGTH (mm)	WIDTH (mm)	HEIGHT (mm)			A	B	C	D
KRFS-90NS-P	9,0	8	14	500	460	715	160	separate	1200	100	20	1900
KRFS-105NS-P	10,5	9	15	500	460	715	160	separate	1200	100	20	1900
KRFS-120NS-P	12,0	10	18	500	460	715	160	separate	1400	100	20	2100
KRFS-150NS-P	15,0	13	23	680	460	715	210	separate	1400	100	160	2100
KRFS-180NS-P	18,0	17	29	680	460	715	210	separate	1400	100	160	2100
KRFS-180NS-V12-P	18,0	18	30	860	460	715	260	separate	1400	160	100	2100
KRFS-210NS-V12-P	21,0	22	35	860	460	715	260	separate	1400	160	100	2100
KRFS-240NS-V12-P	24,0	26	42	860	460	715	260	separate	1400	160	100	2100



Krios Floor (NS)

# Krios Floor

Our trusted **Krios** heater is now available also as a floor heater with the signature SAWO pattern. With more heater stones, the **Krios Floor** will produce more steam.



# Helius

**Helius** with its slim shape gives the user increased flexibility in terms of heater placement. This "hidden" heater can be installed behind the benches using a wall divider, which effectively renders the heater invisible to the user. Once water is poured to the water basin that remains visible, the water is then transported into the heater via a hose, heating up the room. The model also requires a much shorter than usual safety distance (min. 5mm), by adding a separate Helius hood, the safety distance can be made almost minimal.

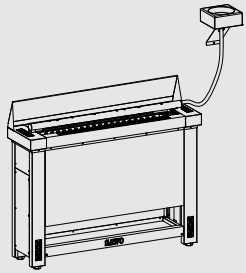
With its advanced airflow design, the Helius uses fewer stones, which leads more airflow and better heating efficiency.

- » Power range: 4,5 – 9,0kW
- » Available controls: Saunova/Innova (NS)
- » Separate soapstone water basin with hose
- » Optional heater guard and hood

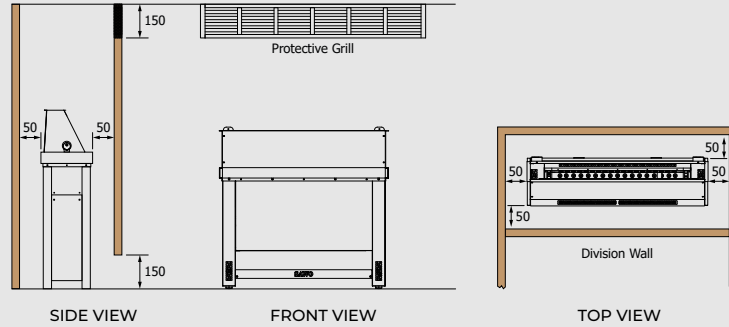


Helius  
(NS)

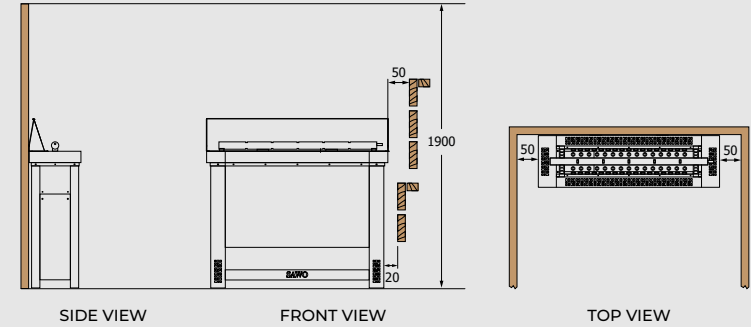
# Technical DATA



Heliuss



Minimum Safety Distances (Wall Divider)



Minimum Safety Distances (Wall Installation)

## Saunova/Innova (NS)

HEATER MODEL	kW	SAUNA ROOM		SIZE OF HEATER			STONES (kg)	CONTROL
		MIN (m³)	MAX (m³)	LENGTH (mm)	WIDTH (mm)	HEIGHT (mm)		
HES-45NS-G-P-C	4,5	3	6	230	860	655	17	separate
HES-60NS-G-P-C	6,0	5	9	230	860	655	17	separate
HES-75NS-G-P-C	7,5	7	13	230	860	655	17	separate
HES-90NS-G-P-C	9,0	8	14	230	860	655	17	separate

## Heliuss with Hood (Optional)

- » Maintain a small space for a wall divider and recess area in order to place the heater behind or below the benches.

## Other features:

- » Can be installed as floor-standing or wall-mounted
- » Heater stones are not in contact with the heating elements
- » Water accessory (funnel, hose) included for wall installation with a divider
- » Can fit 17kg of stones
- » Catch pan included
- » Adjustable legs

## Heater Accessories (Optional)

### Heliuss Hood



Heliuss Hood  
Stainless Steel

MODEL	SIZE OF HOOD (mm)		
	LENGTH	WIDTH	HEIGHT
HP68-008	85	840	290

### Heliuss Heater Guards



Wooden  
Cedar (D) and Aspen (A)

MODEL	SIZE OF GUARD RAIL (mm)		
	LENGTH	WIDTH	HEIGHT
HES-GUARD-W-D	280	910	90
HES-GUARD-W-A	280	910	90



# Helius Mini

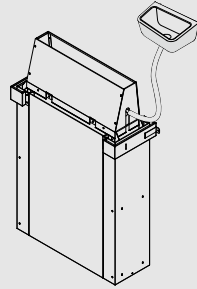
**Helius Mini** comes with a hood that is necessary when used as a hidden heater. It delivers the same innovation as the Helius in a more compact form. Discreetly installed behind the benches, it stays completely out of sight while advanced airflow ensures efficient, even heat with fewer stones and minimal safety distance. Powerful performance thoughtfully designed for smaller spaces.

- » Power range: 2,0 – 3,0kW
- » Available controls: Saunova/Innova (NS)
- » Separate water basin with hose
- » Optional heater guard and hood

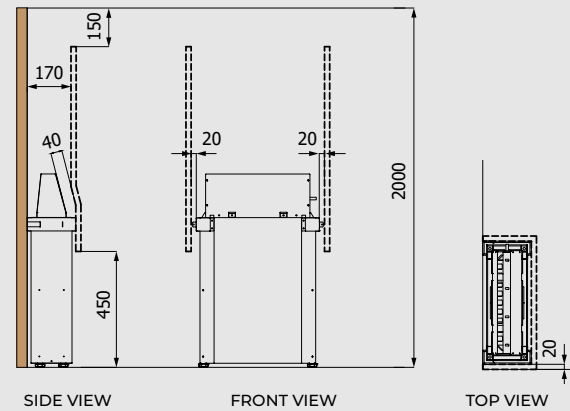


Helius Mini  
(NS)

## Technical DATA



Helius Mini



Minimum Safety Distances

### Saunova/Innova (NS)

HEATER MODEL	kW	SAUNA ROOM		SIZE OF HEATER			STONES (kg)	CONTROL
		MIN (m²)	MAX (m²)	LENGTH (mm)	WIDTH (mm)	HEIGHT (mm)		
HES-MN-20NS-Z	2,0	1.5	2.5	200	480	700	17	separate
HES-MN-27NS-Z	2,7	2.0	3.5	200	480	700	17	separate
HES-MN-30NS-Z	3,0	2.0	4.0	200	480	700	17	separate

### Helius Mini with Hood (Optional)

- » Maintain a small space for a wall divider and recess area in order to place the heater behind or below the benches.

### Other features:

- » Can be installed as floor standing or wall-mounted
- » Heater stones are not in contact with the heating elements
- » Water accessory (funnel, hose) included for wall installation with a divider
- » Can fit 17kg of stones
- » Catch pan included
- » Adjustable legs

### Heater Accessories (Optional)

#### Helius Hood



Helius Mini Hood  
Stainless Steel

MODEL	SIZE OF HOOD (mm)		
	LENGTH	WIDTH	HEIGHT
HP68-009	130	420	190

Reflector  
Stainless Steel



Helius Hood  
Stainless Steel



# Taurus D

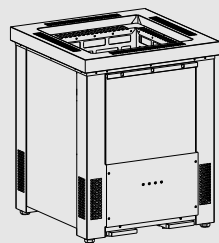
**Taurus D** revolutionizes the standard sauna heater by having two or more power options in the same heater. The heater is designed for industrial use, spas, and both public and private pools.

The Taurus D features an advanced sensory system that detects heating element malfunctions early. The stone container keeps the sauna stones apart from the heating elements, increasing the lifespan of the elements. Also, the heater features a cassette pull-out tray that makes any maintenance function simple, whether replacing the stones or the elements. This design reduces downtime and operational costs while ensuring long-term performance.

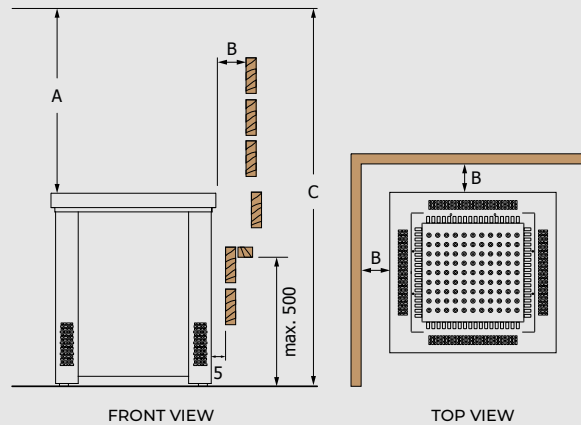
- » Power range: 9,0 – 36,0kW
- » Available controls: Saunova/Innova (NS)
- » Adjustable legs
- » Optional heater guard



## Technical DATA



Taurus D

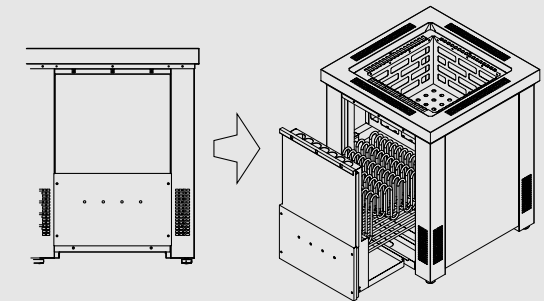


FRONT VIEW

TOP VIEW

Minimum Safety Distances

The pull-out tray allows the user to easily change, service, or check the heating elements. This also makes replacing the heater stones easy, as they do not come into contact with the heating elements.



Taurus D (NS)



TRD-270/300/330/360NS-G-P

## Heater Accessories (Optional)

### Taurus Heater Guards



Wooden

Cedar (D), Aspen (A), and Black (BL)

Wooden Heater Guard for TRD-90/120

Cedar (D), Aspen (A), and Black (BL)

Wooden Heater Guard for TRD-180/210/240

Cedar (D), Aspen (A), and Black (BL)

MODEL	SIZE OF GUARD RAIL		
	LENGTH	WIDTH	HEIGHT
TAU-GUARD-W9-D   A   BL	555	105	135

MODEL	SIZE OF GUARD RAIL		
	LENGTH	WIDTH	HEIGHT
TAU-GUARD-V12-D   A   BL	105	705	135

## Saunova/Innova (NS)

HEATER MODEL	kW	SAUNA ROOM		SIZE OF HEATER			STONES (kg)	CONTROL	MINIMUM SAFETY DISTANCES		
		MIN (m <sup>3</sup> )	MAX	LENGTH	WIDTH	HEIGHT			A	B	C
TRD-90/120NS-G-P	9,0   12,0	8	18	555	555	690	50	separate	1210	5/*50	1900
TRD-150/180NS-G-P	15,0   18,0	13	29	555	705	690	65-75	separate	1410	5/*50	2100
TRD-180/210/240NS-G-P	18,0   21,0   24,0	18	42	555	970	690	90-100	separate	1410	5/*50	2100
TRD-270/300/330/360NS-G-P	27,0   30,0   33,0   36,0	32	75	555	1385	690	150	separate	1410	5/*50	2100

\*For commercial use.



# Taurus D Combi

Thanks to the **Taurus D Combi**, the wellness experience is now even easier to personalize. The heater combines a steamer with the Taurus D innovation: two or more heating elements options.

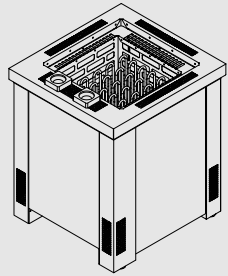
With the Taurus D Combi, bathers can enjoy a traditional or a steam sauna experience. It comes with a scent basin, so the user can rejuvenate in therapeutic steam infused with their favorite essential oils and fragrances.

Using the heater is as hassle-free as it gets. It features a water level detection system that signals when the water level is low, similarly to other Combi heaters. The heater's auto refill feature can also be activated for maximum convenience.

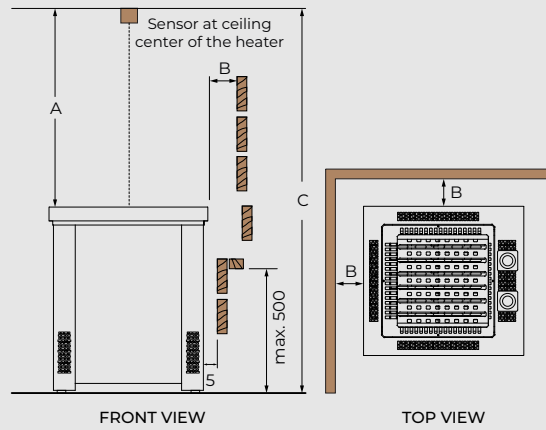
- » Power range: 9,0 – 36,0kW
- » Available controls: Saunova/Innova (NS)
- » Black steel casing
- » Automatic shut-off in case of overheating
- » Built-in aroma cups
- » Adjustable legs
- » Optional heater guard
- » Optional auto refill for automatically filled water tank



## Technical DATA

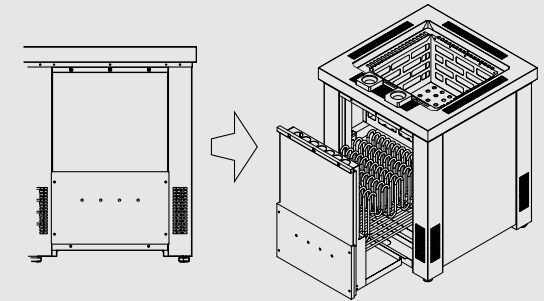


Taurus D Combi

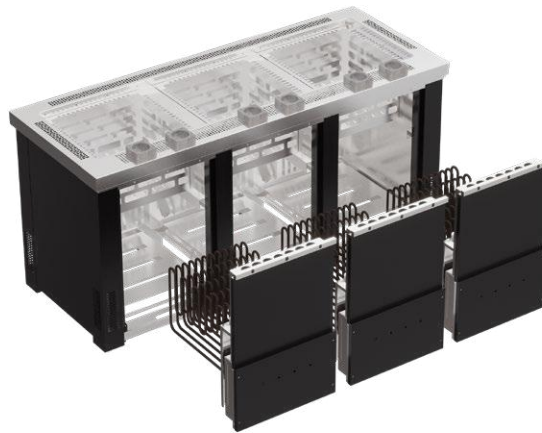


Minimum Safety Distances

The pull-out tray allows the user to easily change, service, or check the heating elements. This also makes replacing the heater stones easy, as they do not come into contact with the heating elements.



Taurus D Combi (NS)



TRDC-270/300/330/360NS-G-P

## Saunova/Innova (NS)

HEATER MODEL	kW HEATER	kW TANK	SAUNA ROOM		SIZE OF HEATER			STONES (kg)	CONTROL	MINIMUM SAFETY DISTANCES		
			MIN (m³)	MAX (m³)	LENGTH (mm)	WIDTH (mm)	HEIGHT (mm)			A	B	C
TRDC-90/120NS-G-P	9,0   12,0	1 x 2,0	8	18	595	555	690	50	separate	1210	5/*50	1900
TRDC-150/180NS-G-P	15,0   18,0	1 x 2,0	13	29	595	705	690	65 - 75	separate	1410	5/*50	2100
TRDC-180/210/240NS-G-P	18,0   21,0   24,0	2 x 2,0	18	42	595	970	690	90 - 100	separate	1410	5/*50	2100
TRDC-270/300/330/360NS-G-P	27,0   30,0   33,0   36,0	3 x 2,0	32	75	595	1385	690	150	separate	1410	5/*50	2100

\*For commercial use.

# Savonia

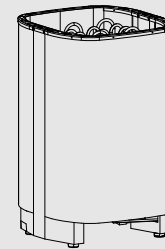
**Savonia** models are designed to withstand extreme heat with the least amount of time spent on overall care and maintenance. They can also handle a large amount of stones for a smoother, lower temperature sauna experience.

The heaters come in two versions, regular and cool-to-touch fiber coating. Both versions have adjustable legs that keep the heater level on the floor.

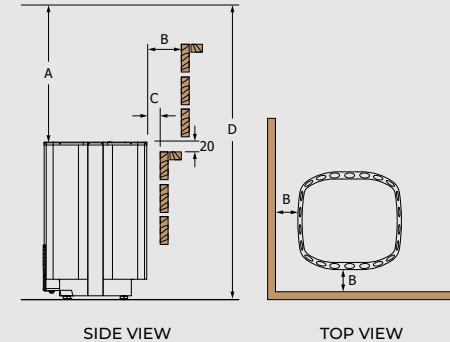
- » Power range: 9,0 – 24,0kW
- » Available controls: Saunova/Innova (NS)
- » Adjustable legs



## Technical DATA



Savonia



Minimum Safety Distances



### Saunova/Innova (NS)

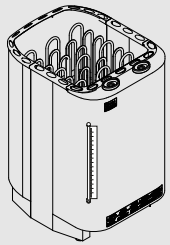
HEATER MODEL	kW	SAUNA ROOM		SIZE OF HEATER			STONES (KG)	CONTROL	MINIMUM SAFETY DISTANCES			
		MIN (m³)	MAX	LENGTH	WIDTH (mm)	HEIGHT			A	B	C	D
SAV-90NS-Z   SAV-90NS-P-F	9,0	8	14	440	420	655	50 - 60	separate	1200	110	50	1900
SAV-105NS-Z   SAV-105NS-P-F	10,5	9	15	440	420	655	50 - 60	separate	1200	120	60	1900
SAV-120NS-Z   SAV-120NS-P-F	12,0	10	18	440	420	655	50 - 60	separate	1400	130	70	2100
SAV-150NS-Z   SAV-150NS-P-F	15,0	13	23	590	420	655	60 - 75	separate	1400	160	100	2100
SAV-180NS-Z   SAV-180NS-P-F	18,0	17	29	590	420	655	60 - 75	separate	1400	160	100	2100
SAV-180NS-V12-Z   SAV-180NS-V12-P-F	18,0	18	30	740	420	655	80 - 100	separate	1400	160	100	2100
SAV-210NS-V12-Z   SAV-210NS-V12-P-F	21,0	22	35	740	420	655	80 - 100	separate	1400	160	100	2100
SAV-240NS-V12-Z   SAV-240NS-V12-P-F	24,0	26	42	740	420	655	80 - 100	separate	1400	160	100	2100



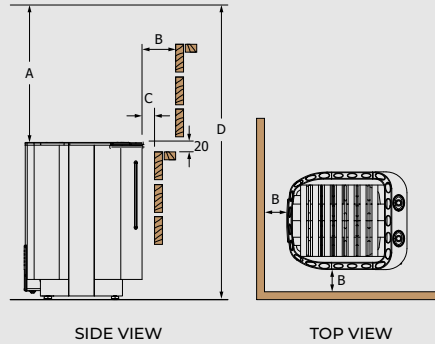
Savonia (NS)



Savonia Fiber Coated (NS)



Savonia Combi



Minimum Safety Distances



Saunova/Innova (NS)

HEATER MODEL	kW HEATER	kW TANK	SAUNA ROOM		SIZE OF HEATER			STONES (KG)	CONTROL	MINIMUM SAFETY DISTANCES			
			MIN (m²)	MAX	LENGTH	WIDTH	HEIGHT			A	B	C	D
SAVC-90NS-Z   SAVC-90NS-P-F	9,0	1 x 2,0	8	14	510	420	655	40 - 50	separate	1200	110	50	1900
SAVC-105NS-Z   SAVC-105NS-P-F	10,5	1 x 2,0	9	15	510	420	655	40 - 50	separate	1200	120	60	1900
SAVC-120NS-Z   SAVC-120NS-P-F	12,0	1 x 2,0	10	18	510	420	655	40 - 50	separate	1400	130	70	2100
SAVC-150NS-Z   SAVC-150NS-P-F	15,0	2 x 2,0	13	23	715	420	655	60 - 75	separate	1400	160	100	2100
SAVC-180NS-Z   SAVC-180NS-P-F	18,0	2 x 2,0	17	29	715	420	655	60 - 75	separate	1400	160	100	2100



Savonia Combi (NS)



Savonia Combi Fiber Coated (NS)

# Savonia Combi

**Savonia Combi** offers the best of both worlds: the heat of a Savonia and a water tank for more steam and humidity. It is available with cool-to-touch fiber coating and an auto refill function for the water tank.

- » Power range: 9,0 – 18,0kW
- » Available controls: Saunova/Innova (NS)
- » Built-in aroma cups
- » Separate water tank with 1,0kW or 2,0kW steam generator
- » Adjustable legs
- » Optional: auto refill feature for automatically refilling the water tank





Sauna HEATERS

# WALL- Mounted Series

SAWO Wall-mounted heaters are all about strong performance in a compact size. For added safety, most of our wall-mounted heaters are available with cool-to-touch fiber coating to help prevent accidental burns.



Mini  
(NB)



Mini  
Fiber Coated  
(NB)

## Mini

**Mini** heater can be placed in tight spaces due to its size and reversible control unit that can be attached to either the right or the left side of the heater. The Mini is also available with cool-to-touch fiber coating.

- » Power range: 2,3 – 3,6kW
- » Available controls: Built-in (NB)



Mini X  
(NS | NB)



Mini X  
Fiber Coated  
(NS | NB)

## Mini X

**Mini X** is a space-saver that is placed in the corner of a sauna room. It is available with cool-to-touch fiber coating, and compatible with Saunova or Innova controls (NS).

- » Power range: 2,3 – 3,6kW
- » Available controls: Saunova/Innova (NS), Built-in (NB)



Mini Combi  
(NS)



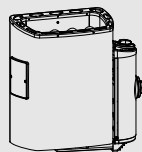
Mini Combi  
Fiber Coated  
(NS)

## Mini Combi

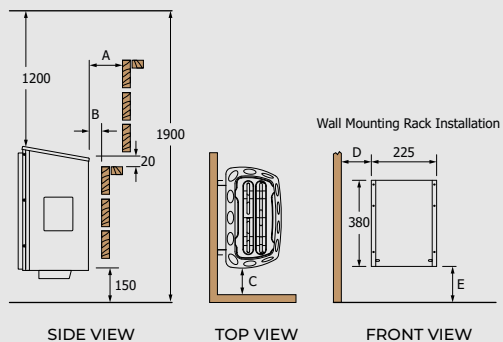
**Mini Combi** combines a regular sauna experience with a water tank for increased humidity. It is available with cool-to-touch fiber-coating.

- » Power range: 3,0 – 3,6kW
- » Available controls: Saunova/Innova (NS)
- » Separate water tank with 1,0kW steam generator
- » Built-in aroma cups





Mini



SIDE VIEW TOP VIEW FRONT VIEW

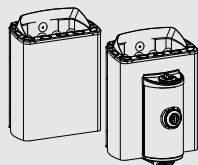
Minimum Safety Distances

Built-in (NB)

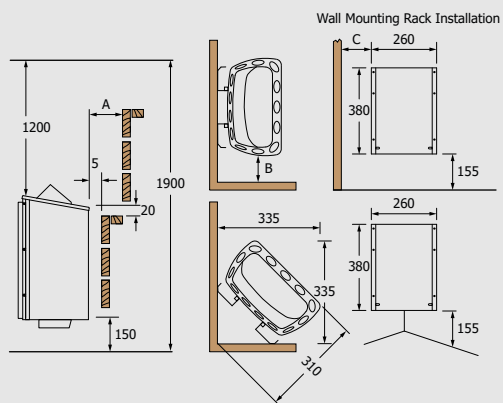
HEATER MODEL	kW	SAUNA ROOM		SIZE OF HEATER			STONES (kg)	CONTROL	MINIMUM SAFETY DISTANCES				
		MIN (m³)	MAX	LENGTH	WIDTH	HEIGHT			A	B	C	D	E
MN-23NB-Z   MN-23NB-P-F	2,3	1,3	2,5	*215	435	**455	11	built-in (8+4h)	100	20	100	140	155
MN-30NB-Z   MN-30NB-P-F	3,0	2	4	*215	435	**455	11	built-in (8+4h)	100	20	100	140	155
MN-36NB-Z   MN-36NB-P-F	3,6	3	6	*215	435	**455	11	built-in (8+4h)	100	20	100	140	155

\*Depth when installed to the wall.

\*\*Reflector not included.



Mini X



SIDE VIEW TOP VIEW FRONT VIEW

Minimum Safety Distances

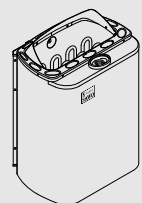
Saunova/Innova (NS)

HEATER MODEL	kW	SAUNA ROOM		SIZE OF HEATER			STONES (kg)	CONTROL	MINIMUM SAFETY DISTANCES		
		MIN (m³)	MAX	LENGTH	WIDTH	HEIGHT			A	B	C
MX-23NS-Z   MX-23NS-P-F	2,3	1,3	2,5	*310	330	485	8 - 11	separate	30	20	60
MX-30NS-Z   MX-30NS-P-F	3,0	2	4	*310	330	485	8 - 11	separate	35	25	65
MX-36NS-Z   MX-36NS-P-F	3,6	3	6	*310	330	485	8 - 11	separate	40	25	65

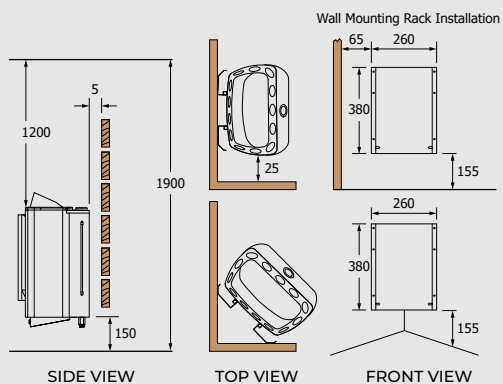
Built-in (NB)

HEATER MODEL	kW	SAUNA ROOM		SIZE OF HEATER			STONES (kg)	CONTROL	MINIMUM SAFETY DISTANCES		
		MIN (m³)	MAX	LENGTH	WIDTH	HEIGHT			A	B	C
MX-23NB-Z   MX-23NB-P-F	2,3	1,3	2,5	*310	330	485	8 - 11	built-in (8+4h)	30	20	60
MX-30NB-Z   MX-30NB-P-F	3,0	2	4	*310	330	485	8 - 11	built-in (8+4h)	35	25	65
MX-36NB-Z   MX-36NB-P-F	3,6	3	6	*310	330	485	8 - 11	built-in (8+4h)	40	25	65

\*Wall mounted/corner mounted.



Mini Combi



SIDE VIEW TOP VIEW FRONT VIEW

Minimum Safety Distances

Saunova/Innova (NS)

HEATER MODEL	kW HEATER	kW TANK	SAUNA ROOM		SIZE OF HEATER			STONES (kg)	CONTROL
			MIN (m³)	MAX	LENGTH	WIDTH	HEIGHT		
MNC-30NS-Z	3,0	1 x 1,0	2	4	**330	260	*500	8 - 10,5	separate
MNC-30NS-P-F	3,0	1 x 1,0	2	4	**330	260	*500	8 - 10,5	separate
MNC-36NS-Z	3,6	1 x 1,0	3	6	**330	260	*500	8 - 10,5	separate
MNC-36NS-P-F	3,6	1 x 1,0	3	6	**330	260	*500	8 - 10,5	separate

\*Depth when installed to the wall.

\*\*Reflector not included.

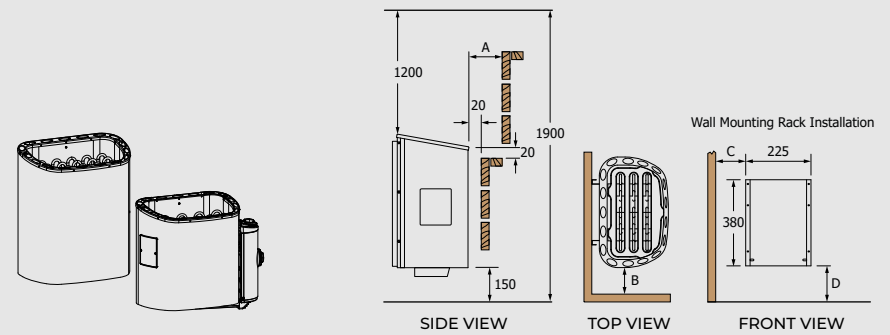
# Scandia

**Scandia** is a staple classic among sauna heaters. This simple heater gives the traditional Finnish sauna experience. It is available with cool-to-touch fiber coating, and compatible with Saunova or Innova controls (NS).

- » Power range: 4,5 – 9,0kW
- » Available controls: Saunova/Innova (NS), Built-in (NB)



## Technical DATA



Scandia

Minimum Safety Distances



Scandia (NS)

Scandia Fiber Coated (NS)

Scandia (NB)

Scandia Fiber Coated (NB)

## Saunova/Innova (NS)

HEATER MODEL	kW	SAUNA ROOM		SIZE OF HEATER			STONES (KG)	CONTROL	MINIMUM SAFETY DISTANCES			
		MIN (m³)	MAX	LENGTH	WIDTH	HEIGHT			A	B	C	D
SCA-45NS-Z-C   SCA-45NS-P-F-C	4,5	3	6	*290	410	**515	18-22	separate	100	100	185	155
SCA-60NS-Z-C   SCA-60NS-P-F-C	6,0	5	9	*290	410	**515	18-22	separate	100	100	185	155
SCA-80NS-Z-C   SCA-80NS-P-F-C	8,0	7	13	*290	410	**585	19-23	separate	100	100	185	235
SCA-90NS-Z-C   SCA-90NS-P-F-C	9,0	8	14	*290	410	**585	19-23	separate	100	100	185	235

## Built-in (NB)

HEATER MODEL	kW	SAUNA ROOM		SIZE OF HEATER			STONES (KG)	CONTROL	MINIMUM SAFETY DISTANCES			
		MIN (m³)	MAX	LENGTH	WIDTH	HEIGHT			A	B	C	D
SCA-45NB-Z-C   SCA-45NB-P-F-C	4,5	3	6	*290	515	**515	18-22	built-in (8+4h)	100	100	185	155
SCA-60NB-Z-C   SCA-60NB-P-F-C	6,0	5	9	*290	515	**515	18-22	built-in (8+4h)	100	100	185	155
SCA-80NB-Z-C   SCA-80NB-P-F-C	8,0	7	13	*290	515	**585	19-23	built-in (8+4h)	100	100	185	235
SCA-90NB-Z-C   SCA-90NB-P-F-C	9,0	8	14	*290	515	**585	19-23	built-in (8+4h)	100	100	185	235

\*Depth when installed to the wall.  
\*\*Reflector not included.

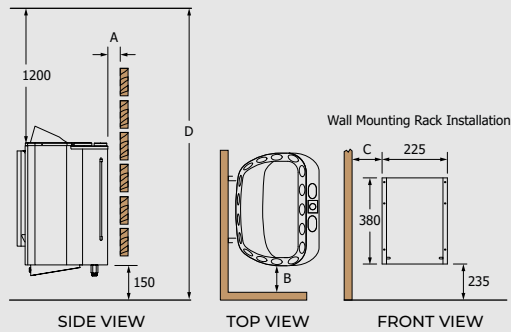
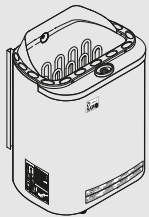
# Scandia Combi

**Scandia Combi** heater comes with a water tank for increased humidity and an aroma cup for using sauna scents. Available with cool-to-touch fiber coating, and compatible with Saunova or Innova controls (NS).

- » Power range: 6,0 – 9,0kW
- » Available controls: Saunova/Innova (NS)
- » Separate water tank with 1,0kW or 2,0kW steam generator
- » Built-in aroma cups



## Technical DATA



Scandia Combi

Minimum Safety Distances

## Saunova/Innova (NS)

HEATER MODEL	kW HEATER	kW TANK	SAUNA ROOM (m³)		SIZE OF HEATER (mm)			STONES (KG)	CONTROL	MINIMUM SAFETY DISTANCES			
			MIN	MAX	LENGTH	WIDTH	HEIGHT			A	B	C	D
SCAC-60NS-Z-C   SCAC-60NS-P-F-C	6,0	1 x 1,0	5	9	*365	410	595	18-22	separate	5	50	135	1900
SCAC-80NS-Z-C   SCAC-80NS-P-F-C	8,0	1 x 2,0	7	13	*365	410	595	18-22	separate	5	50	135	1900
SCAC-90NS-Z-C   SCAC-90NS-P-F-C	9,0	1 x 2,0	8	14	*365	410	595	18-22	separate	5	50	135	1900

\*Depth when installed to the wall.



Scandia Combi (NS)



Scandia Combi Fiber Coated (NS)

# Krios

**Krios** provides a larger stone container for higher and more humid heat. It also features the signature SAWO pattern in a stainless steel casing. The Krios heater is compatible with Saunova (Ni2, NS), and Innova (NS) controls.

- » Power range: 4,5 – 9,0kW
- » Available controls: Saunova (Ni2), Saunova/Innova (NS), Built-in (NB)
- » Wall mounted
- » Casing: Stainless steel
- » Heat reflector included
- » Built-in control unit can be attached to the left, right, or front of the heater
- » Can fit 50kg of stones



Krios  
(Ni2)



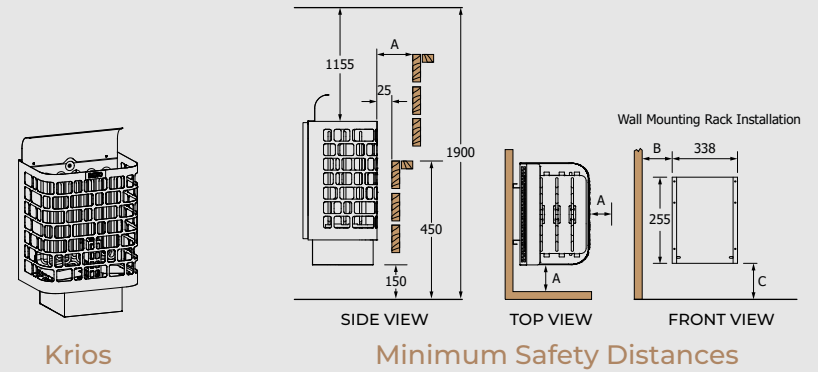
Krios  
(NS)



Krios  
(NB)



## Technical DATA



## Saunova (Ni2)

HEATER MODEL	kW	SAUNA ROOM		SIZE OF HEATER			STONES (KG)	CONTROL	MINIMUM SAFETY DISTANCES		
		MIN (m²)	MAX	LENGTH	WIDTH (mm)	HEIGHT			A	B	C
KRI-45Ni2-P-C	4,5	3	6	*290	390	**600	40	Saunova 2.0	50	75	345
KRI-60Ni2-P-C	6,0	5	8	*290	390	**600	40	Saunova 2.0	80	105	345
KRI-80Ni2-P-C	8,0	7	13	*290	390	**670	50	Saunova 2.0	100	125	415
KRI-90Ni2-P-C	9,0	8	14	*290	390	**670	50	Saunova 2.0	100	125	415

## Saunova/Innova (NS)

HEATER MODEL	kW	SAUNA ROOM		SIZE OF HEATER			STONES (KG)	CONTROL	MINIMUM SAFETY DISTANCES		
		MIN (m²)	MAX	LENGTH	WIDTH (mm)	HEIGHT			A	B	C
KRI-45NS-P-C	4,5	3	6	*290	390	**580	40	Innova	50	75	320
KRI-60NS-P-C	6,0	5	8	*290	390	**580	40	Innova	80	105	320
KRI-80NS-P-C	8,0	7	13	*290	390	**650	50	Innova	100	125	390
KRI-90NS-P-C	9,0	8	14	*290	390	**650	50	Innova	100	125	390

## Heater Accessories (Optional)

### Krios Heater Guards



Wooden  
Cedar (D) and Aspen (A)

MODEL	SIZE OF GUARD RAIL		
	LENGTH	WIDTH	HEIGHT (mm)
KRI-GUARD-W-D	385	620	90
KRI-GUARD-W-A	385	620	90

## Built-in (NB)

HEATER MODEL	kW	SAUNA ROOM		SIZE OF HEATER			STONES (KG)	CONTROL	MINIMUM SAFETY DISTANCES		
		MIN (m²)	MAX	LENGTH	WIDTH (mm)	HEIGHT			A	B	C
KRI-45NB-P-C	4,5	3	6	*290	390	**580	40	Built-in	50	75	320
KRI-60NB-P-C	6,0	5	8	*290	390	**580	40	Built-in	80	105	320
KRI-80NB-P-C	8,0	7	13	*290	390	**650	50	Built-in	100	125	390
KRI-90NB-P-C	9,0	8	14	*290	390	**650	50	Built-in	100	125	390

\*Depth when installed to the wall.

\*\*Height with reflector.



# Nordex

**Nordex** heater is available with stainless steel or black metal casing, and compatible with separate Saunova (Ni2), Saunova/Innova (NS), Built-in (NB) controls.

- » Power range: 4,5 – 9,0kW
- » Available controls: Saunova (Ni2), Saunova/Innova (NS), Built-in (NB)



Nordex (Ni2)

Nordex Black (Ni2)

Nordex (NS)

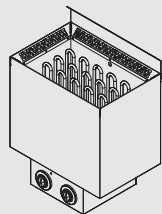
Nordex Black (NS)



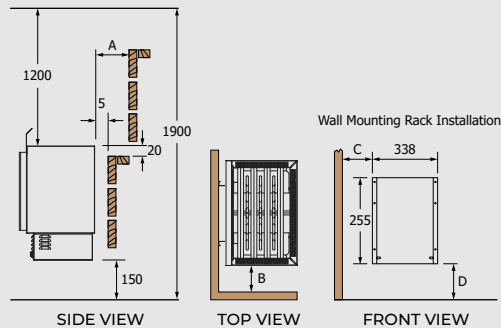
Nordex (NB)

Nordex Black (NB)

## Technical DATA



Nordex



Minimum Safety Distances

## Saunova (Ni2)

HEATER MODEL	kW	SAUNA ROOM		SIZE OF HEATER			STONES (kg)	CONTROL	MINIMUM SAFETY DISTANCES			
		MIN (m³)	MAX	LENGTH (mm)	WIDTH (mm)	HEIGHT			A	B	C	D
NRN-45Ni2-Z-C   NRN-45Ni2-BL-Z-C	4,5	3	6	*295	400	**515	22	Saunova 2.0	50	50	130	270
NRN-60Ni2-Z-C   NRN-60Ni2-BL-Z-C	6,0	5	9	*295	400	**515	22	Saunova 2.0	50	50	130	270
NRN-80Ni2-Z-C   NRN-80Ni2-BL-Z-C	8,0	7	13	*295	400	**590	22	Saunova 2.0	80	80	160	330
NRN-90Ni2-Z-C   NRN-90Ni2-BL-Z-C	9,0	8	14	*295	400	**590	22	Saunova 2.0	80	80	160	330

## Built-in (NB) and Saunova/Innova (NS)

HEATER MODEL	kW	SAUNA ROOM		SIZE OF HEATER			STONES (kg)	CONTROL	MINIMUM SAFETY DISTANCES			
		MIN (m³)	MAX	WIDTH (mm)	DEPTH (mm)	HEIGHT			A	B	C	D
NRN-45NB/NS-Z-C   NRN-45NB/NS-BL-Z-C	4,5	3	6	*295	400	**515	18-22	built-in (8+4h)	50	50	80	320
NRN-60NB/NS-Z-C   NRN-60NB/NS-BL-Z-C	6,0	5	9	*295	400	**515	18-22	built-in (8+4h)	50	50	80	320
NRN-80NB/NS-Z-C   NRN-80NB/NS-BL-Z-C	8,0	7	13	*295	400	**590	18-22	built-in (8+4h)	80	80	110	395
NRN-90NB/NS-Z-C   NRN-90NB/NS-BL-Z-C	9,0	8	14	*295	400	**590	18-22	built-in (8+4h)	80	80	110	395

\*Depth when installed to the wall.  
\*\*Height with reflector.

## Heater Accessories (Optional)

### Nordex Heater Guards



Wooden Cedar (D) and Aspen (A)

MODEL	SIZE OF GUARD RAIL (mm)		
	LENGTH	WIDTH	HEIGHT
NRN-GUARD-W-D	100	465	75
NRN-GUARD-W-A	100	465	75

# Nordex Combi

**Nordex Combi** adds humidity to the heat with its water tank. It is available with stainless steel or black metal casing, and compatible with separate Saunova and Innova (NS) controls.

- » Power range: 6,0 – 9,0kW
- » Available controls: Saunova/Innova (NS)
- » Separate water tank with 0,8kW or 2,0kW steam generator
- » Built-in aroma cups

## Saunova/Innova (NS)

HEATER MODEL	kW HEATER	kW TANK	SAUNA ROOM		SIZE OF HEATER			STONES (kg)	CONTROL
			MAX (m <sup>3</sup> )	9	LENGTH	WIDTH	HEIGHT		
NRNC-60NS-Z-C   NRNC-60NS-BL-Z-C	6,0	1 x 0,8	5	9	**385	400	*610	22	Innova
NRNC-80NS-Z-C   NRNC-80NS-BL-Z-C	8,0	1 x 2,0	7	13	**385	400	*610	22	Innova
NRNC-90NS-Z-C   NRNC-90NS-BL-Z-C	9,0	1 x 2,0	8	14	**385	400	*610	22	Innova

\*\*Depth when installed to the wall.  
\*Height with reflector.



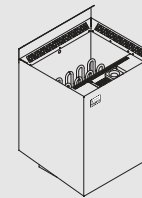
Nordex Combi (NS)



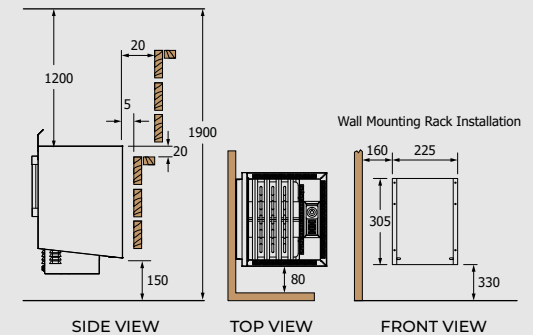
Nordex Combi Black (NS)



## Technical DATA



Nordex Combi



Minimum Safety Distances

# Nordex Mini

The ultra-compact **Nordex Mini** can be wall-mounted into a straight or corner position. It is available with stainless steel or black metal casing, and compatible with separate Saunova (Ni2, NS) and Innova (NS) controls.

- » Power range: 2,3 – 3,6kW
- » Available controls: Saunova (Ni2), Saunova/Innova (NS), Built-in (NB)

! For more technical information, see page 63.



Nordex Mini  
(Ni2)

Nordex Mini Black  
(Ni2)



Nordex Mini  
(NS)

Nordex Mini Black  
(NS)



Nordex Mini  
(NB)

Nordex Mini Black  
(NB)

# Nordex Mini Combi

The ultra-compact **Nordex Mini Combi** adds humidity to the heat with its water tank. It is available with stainless steel or black metal casing, and compatible with separate Saunova (NS) and Innova (NS) controls.

- » Power range: 3,0 – 3,6kW
- » Available controls: Saunova/Innova (NS)
- » Separate water tank with 0,8kW steam generator
- » Built-in aroma cups

! For more technical information, see page 63.



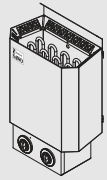
Nordex Mini Combi  
(NS)



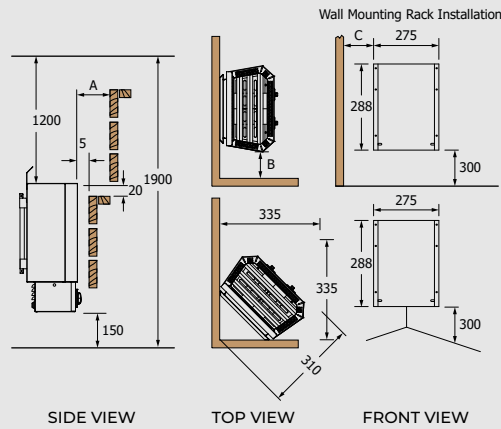
Nordex Mini Combi  
Black  
(NS)



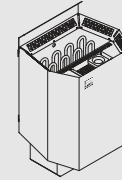
# Technical DATA



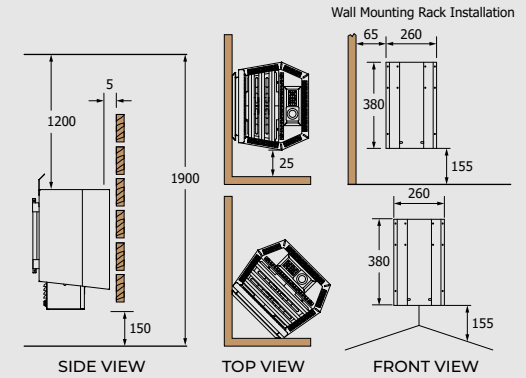
Nordex Mini



Minimum Safety Distances



Nordex Mini Combi



Minimum Safety Distances

## Saunova (Ni2)

HEATER MODEL	kW	SAUNA ROOM (m³)		SIZE OF HEATER (mm)			STONES (kg)	CONTROL	MINIMUM SAFETY DISTANCES (mm)		
		MIN	MAX	LENGTH	WIDTH	HEIGHT			A	B	C
NRM-23Ni2-Z-C	2,3	1,3	2,5	*200	340	**500	8 - 11	Saunova	50	30	85
NRM-30Ni2-Z-C	3,0	2	4	*200	340	**500	8 - 11	Saunova	50	30	85
NRM-36Ni2-Z-C	3,6	3	6	*200	340	**500	8 - 11	Saunova	50	30	85

\*Depth when installed to the wall.

\*\*Height with reflector.

## Saunova/Innova (NS)

HEATER MODEL	kW HEATER	kW TANK	SAUNA ROOM (m³)		SIZE OF HEATER (mm)			STONES (kg)	CONTROL
			MIN	MAX	LENGTH	WIDTH	HEIGHT		
NRMC-30NS-Z	3,0	1 x 0,8	2	4	*300	345	**525	8 - 10,5	separate
NRMC-36NS-Z	3,6	1 x 0,8	3	6	*300	345	**525	8 - 10,5	separate

\*Depth when installed to the wall.

\*\*Height with reflector.

## Saunova/Innova (NS) and Built-in (NB)

HEATER MODEL	kW	SAUNA ROOM (m³)		SIZE OF HEATER (mm)			STONES (kg)	CONTROL	MINIMUM SAFETY DISTANCES (mm)		
		MIN	MAX	LENGTH	WIDTH	HEIGHT			A	B	C
NRM-23NS-Z	2,3	1,3	2,5	*200	340	**500	8 - 11	separate	30 50	20 30	60 85
NRM-23NS-Z	3,0	2	4	*200	340	**500	8 - 11	separate	35 50	25 30	65 85
NRM-36NS-Z	3,6	3	6	*200	340	**500	8 - 11	separate	40 50	25 30	65 85
NRM-23NB-Z	2,3	1,3	2,5	*200	340	**500	8 - 11	built-in (8+4h)	30 50	20 30	60 85
NRM-30NB-Z	3,0	2	4	*200	340	**500	8 - 11	built-in (8+4h)	35 50	25 30	65 85
NRM-36NB-Z	3,6	3	6	*200	340	**500	8 - 11	built-in (8+4h)	40 50	25 30	65 85

\*Depth when installed to the wall.

\*\*Height with reflector.



# Scandifire

**Scandifire** by Stefan Lindfors gives the classic Scandia model a bolder, unique look with its Junglefire pattern. The pattern is combined with cool-to-touch fiber coating, and the heater is compatible with Saunova and Innova controls (NS).

! For more technical information, see page 66.

## Scandifire

- » Power range: 4,5 – 9,0kW
- » Available controls: Saunova/ Innova (NS), Built-in (NB)
- » Casing: Fiber Coated with Junglefire pattern
- » Wall mounted
- » Can fit 22kg of stones
- » Built-in models: Control knobs are with light indicator
- » Coating shields the heater from moisture and high temperature



Scandifire Red (NB)



Scandifire Black (NB)



Scandifire Red (NS)



Scandifire Black (NS)





# Minidragon

**Minidragon** is the most compact of the heaters designed by Stefan Lindfors, developed to decorate even tighter spaces with beauty. The heater comes with cool-to-touch fiber coating, and it is compatible with Saunova and Innova controls (NS).

! For more technical information, see page 66.



Minidragon Red (NB)



Minidragon Black (NB)



Minidragon Red (NS)

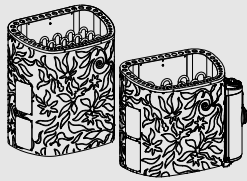


Minidragon Black (NS)

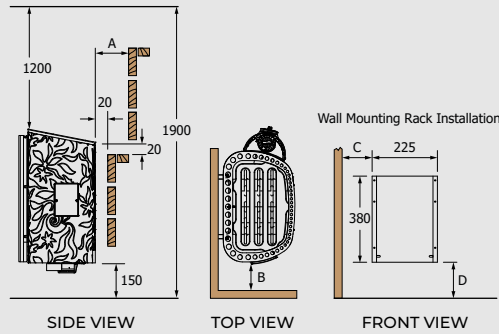
## Minidragon

- » Power range: 2,3 – 3,6kW
- » Available controls: Saunova/ Innova (NS), Built-in (NB)
- » Casing: Fiber Coated with Junglefir pattern
- » Wall mounted
- » Can fit 11kg of stones
- » Built-in models: Control knobs are with light indicator

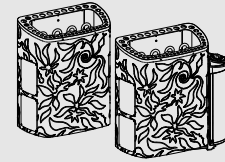
# Technical DATA



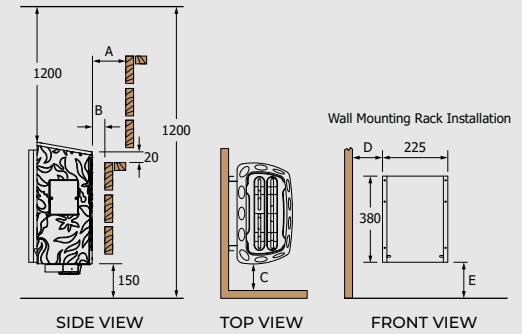
Scandifire



Minimum Safety Distances



Minidragon



Minimum Safety Distances

## Saunova/Innova (NS)

HEATER MODEL	kW	SAUNA ROOM (m³)		SIZE OF HEATER (mm)			STONES (kg)	CONTROL	MINIMUM SAFETY DISTANCES			
		MIN	MAX	LENGTH	WIDTH	HEIGHT			A	B	C	D
SCA-45NS-DRF-P-C   SCA-45NS-DRF-BL-P-C	4,5	3	6	*290	410	455	18 - 22	separate	60	50	135	155
SCA-60NS-DRF-P-C   SCA-60NS-DRF-BL-P-C	6,0	5	9	*290	410	455	18 - 22	separate	60	50	135	155
SCA-80NS-DRF-P-C   SCA-80NS-DRF-BL-P-C	8,0	7	13	*290	410	525	18 - 22	separate	60	50	135	235
SCA-90NS-DRF-P-C   SCA-90NS-DRF-BL-P-C	9,0	8	14	*290	410	525	18 - 22	separate	60	50	135	235

## Saunova/Innova (NS)

HEATER MODEL	kW	SAUNA ROOM (m³)		SIZE OF HEATER (mm)			STONES (kg)	CONTROL	MINIMUM SAFETY DISTANCES				
		MIN	MAX	LENGTH	WIDTH	HEIGHT			A	B	C	D	E
MN-23NS-DRF-P   MN-23NS-DRF-BL-P	2,3	1,3	2,5	*215	435	455	8 - 11	separate	50	20	40	90	155
MN-30NS-DRF-P   MN-30NS-DRF-BL-P	3,0	2	4	*215	435	455	8 - 11	separate	60	20	50	90	155
MN-36NS-DRF-P   MN-36NS-DRF-BL-P	3,6	3	6	*215	435	455	8 - 11	separate	90	20	50	90	155

## Built-in (NB)

HEATER MODEL	kW	SAUNA ROOM (m³)		SIZE OF HEATER (mm)			STONES (kg)	CONTROL	MINIMUM SAFETY DISTANCES			
		MIN	MAX	LENGTH	WIDTH	HEIGHT			A	B	C	D
SCA-45NB-DRF-P-C   SCA-45NB-DRF-BL-P-C	4,5	3	6	*290	515	455	18 - 22	built-in (8+4h)	50	50	185	155
SCA-60NB-DRF-P-C   SCA-60NB-DRF-BL-P-C	6,0	5	9	*290	515	455	18 - 22	built-in (8+4h)	50	50	185	155
SCA-80NB-DRF-P-C   SCA-80NB-DRF-BL-P-C	8,0	7	13	*290	515	525	18 - 22	built-in (8+4h)	100	100	185	235
SCA-90NB-DRF-P-C   SCA-90NB-DRF-BL-P-C	9,0	8	14	*290	515	525	18 - 22	built-in (8+4h)	100	100	185	235

## Built-in (NB)

HEATER MODEL	kW	SAUNA ROOM (m³)		SIZE OF HEATER (mm)			STONES (kg)	CONTROL	MINIMUM SAFETY DISTANCES				
		MIN	MAX	LENGTH	WIDTH	HEIGHT			A	B	C	D	E
MN-23NB-DRF-P   MN-23NB-DRF-BL-P	2,3	1,3	2,5	*215	435	455	8 - 11	built-in (8+4h)	50	20	40	140	155
MN-30NB-DRF-P   MN-30NB-DRF-BL-P	3,0	2	4	*215	435	455	8 - 11	built-in (8+4h)	60	20	50	140	155
MN-36NB-DRF-P   MN-36NB-DRF-BL-P	3,6	3	6	*215	435	455	8 - 11	built-in (8+4h)	90	20	80	140	155

\*Depth when installed to the wall.

\*Depth when installed to the wall.



Sauna HEATERS

# STONE Series

Made of Finnish soapstone, the SAWO Stone Heaters have exceptional heat-storing and conducting properties. Their gentle heat provides a consistent and long-lasting sauna experience.

# Nimbus

The striking **Nimbus** heater features a soapstone casing that provides long-lasting heat. The Nimbus is compatible with Saunova and Innova controls (NS).

- » Power range: 9,0 – 24,0kW
- » Available controls: Saunova/Innova (NS)



## Saunova/Innova (NS)

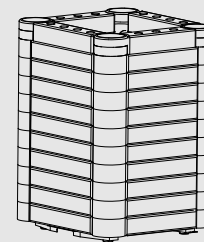
HEATER MODEL	kW	SAUNA ROOM		SIZE OF HEATER			STONES	SOAPSTONES (KG)	CONTROL	MINIMUM SAFETY DISTANCES			
		MIN (m³)	MAX (m³)	LENGTH (mm)	WIDTH (mm)	HEIGHT (mm)				A	B	C	D
NIM-90NS-P	9,0	8	14	520	470	690	40-50	80	separate	1200	110	50	1900
NIM-105NS-P	10,5	9	15	520	470	690	40-50	80	separate	1200	120	60	1900
NIM-120NS-P	12,0	10	18	520	470	690	40-50	80	separate	1400	130	70	2100
NIM-150NS-P	15,0	13	23	660	470	690	60-75	100	separate	1400	160	100	2100
NIM-180NS-P	18,0	17	29	660	470	690	60-75	100	separate	1400	160	100	2100
NIM-180NS-V12-P	18,0	18	30	820	470	690	80-100	120	separate	1400	160	100	2100
NIM-210NS-V12-P	21,0	22	35	820	470	690	80-100	120	separate	1400	160	100	2100
NIM-240NS-V12-P	24,0	26	42	820	470	690	80-100	120	separate	1400	160	100	2100



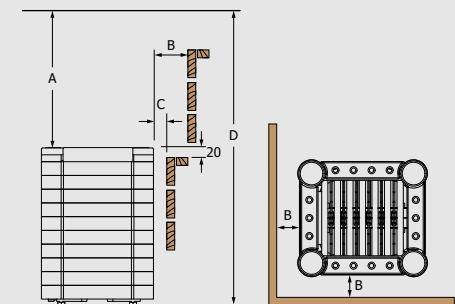
Nimbus (NS)



## Technical DATA



Nimbus



FRONT VIEW

TOP VIEW

Minimum Safety Distances



# Nimbus Combi

**Nimbus Combi** ramps up the steam with its water tank for a perfect balance of heat and humidity. The heater is compatible with Saunova and Innova controls (NS).

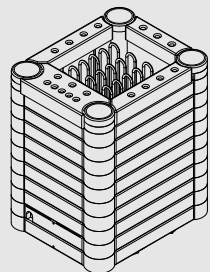
- » Power range: 9,0 – 18,0kW
- » Available controls: Saunova/Innova (NS)
- » Built-in aroma cups
- » Optional: auto refill feature for automatically refilling the water tank



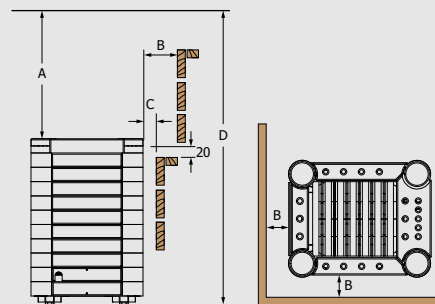
## Saunova/Innova (NS)

HEATER MODEL	kW HEATER	kW TANK	SAUNA ROOM		SIZE OF HEATER			STONES	SOAPSTONES (kg)	CONTROL	MINIMUM SAFETY DISTANCES			
			MIN (m <sup>2</sup> )	MAX	LENGTH	WIDTH	HEIGHT				A	B	C	D
NIMC-90NS-P	9,0	1 x 2,0	8	14	575	470	690	40 - 50	90	separate	1200	50	30	1900
NIMC-105NS-P	10,5	1 x 2,0	9	15	575	470	690	40 - 50	90	separate	1200	50	30	1900
NIMC-120NS-P	12,0	1 x 2,0	10	18	575	470	690	40 - 50	90	separate	1400	130	70	2100
NIMC-150NS-P	15,0	2 x 2,0	13	23	775	470	690	60 - 75	120	separate	1400	160	100	2100
NIMC-180NS-P	18,0	2 x 2,0	17	29	775	470	690	60 - 75	120	separate	1400	160	100	2100

## Technical DATA



Nimbus Combi



FRONT VIEW

TOP VIEW

Minimum Safety Distances



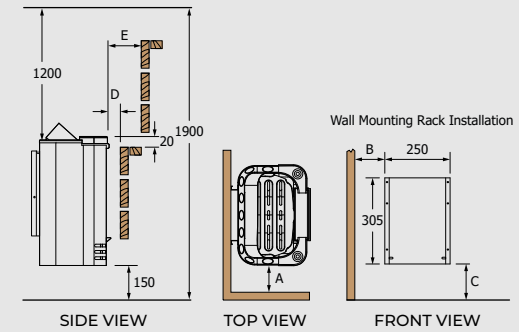
Nimbus Combi (NS)



## Technical DATA



Cumulus



Minimum Safety Distances

# Cumulus

**Cumulus** is an elegant wall-mounted with decorative Finnish soapstone front. Add aromatherapy to the sauna by using the aroma cups provided in the top of the heater.

- » Power range: 4,5 – 9,0kW
- » Available controls: Saunova (Ni2), Saunova/Innova (NS), Built-in (NB)
- » Built-in aroma cups



Cumulus (Ni2)

Cumulus (NS)

Cumulus (NB)

## Saunova (Ni2)

HEATER MODEL	kW	SAUNA ROOM (m³)		SIZE OF HEATER (mm)			STONES	SOAPSTONES (KG)	CONTROL	MINIMUM SAFETY DISTANCES				
		MIN	MAX	LENGTH	WIDTH	HEIGHT				A	B	C	D	E
CML-45Ni2-P-C	4,5	3	6	*300	420	500	18	22	Saunova	50	130	245	20	50
CML-60Ni2-P-C	6,0	5	9	*300	420	500	18	22	Saunova	50	130	245	20	50
CML-80Ni2-P-C	8,0	7	13	*300	420	590	18	22	Saunova	60	140	330	30	60
CML-90Ni2-P-C	9,0	8	14	*300	420	590	18	22	Saunova	60	140	330	30	60

## Saunova/Innova (NS)

HEATER MODEL	kW	SAUNA ROOM (m³)		SIZE OF HEATER (mm)			STONES	SOAPSTONES (KG)	CONTROL	MINIMUM SAFETY DISTANCES				
		MIN	MAX	LENGTH	WIDTH	HEIGHT				A	B	C	D	E
CML-45NS-P-C	4,5	3	6	*300	420	500	18	22	separate	50	130	245	20	50
CML-60NS-P-C	6,0	5	9	*300	420	500	18	22	separate	50	130	245	20	50
CML-80NS-P-C	8,0	7	13	*300	420	590	18	22	separate	60	140	330	30	60
CML-90NS-P-C	9,0	8	14	*300	420	590	18	22	separate	60	140	330	30	60

## Built-in (NB)

HEATER MODEL	kW	SAUNA ROOM (m³)		SIZE OF HEATER (mm)			STONES	SOAPSTONES (KG)	CONTROL	MINIMUM SAFETY DISTANCES				
		MIN	MAX	LENGTH	WIDTH	HEIGHT				A	B	C	D	E
CML-45NB-P-C	4,5	3	6	*300	420	500	18	22	built-in (8+4h)	50	130	245	20	50
CML-60NB-P-C	6,0	5	9	*300	420	500	18	22	built-in (8+4h)	50	130	245	20	50
CML-80NB-P-C	8,0	7	13	*300	420	590	18	22	built-in (8+4h)	60	140	330	30	60
CML-90NB-P-C	9,0	8	14	*300	420	590	18	22	built-in (8+4h)	60	140	330	30	60

\*Depth when installed to the wall.

# HEATER Accessories



## Safety Switch



### Safety Switch

code:	use:
HP20-001	Wall-mounted
HP20-100	Floor heater
HP20-200	Tower Round
HP20-201	Tower Corner

The safety switch will turn the heater off if a towel or similar object is placed on top. The heater will not turn off if it comes into contact with a foreign object or if the object enters the safety distances around the heater. (Follows standard SFS-EN60335-2-53, sec. 19.101)

## Emergency Stop



### Emergency Stop Button Switch

code: ESTOP

The push button allows the sauna heater to be switched off. Package includes extra overheat fuse.

## Cozy Tank

- » Water storage that adds instant steam when heater is hot
- » Refillable water via top cover holes
- » Thick stainless metal
- » Carved soapstone top cover
- » Available in 3 designs



### Cozy Tank 0,3L

code: HP01-090

Cylindrical Sauna Humidifier  
(Water Volume 0,3L)



### Cozy Tank 0,6L

code: HP01-070

Cylindrical Sauna Humidifier  
(Water Volume 0,6L)



### Cozy Tank 1,3L

code: HP01-071

Rectangular Sauna Humidifier  
(Water Volume 1,3L)

WATER VOLUME	HEATERS
0,3 Liter	Tower (Round, Wall, Corner), Aries (Round, Wall, Corner), SAWO30 (Round, Wall, Corner), Phoenix, Cubos
0,6 Liter	Tower (Round, Wall, Corner), Aries (Round, Wall, Corner), SAWO30 (Round, Wall, Corner), Phoenix, Cubos
1,3 Liter	Taurus, Mini, Mini X, Scandia, Savonia, Nordex Mini, Nordex, Nordex Floor, Nordex S, Nordex Pro, Krios, Krios Floor, Nimbus, Cumulus

## Sauna Stones



Sauna Stones  
Olivine Diabase  
Rounded (20kg)

code:	size:	use:
R-980	3-10cm	Normal electric sauna heaters
R-981	8-15cm	Large wood burning and gas heaters



Decorative Sauna Stones  
White Quartz  
Rounded (10kg)

code:	size:	use:
R-982	3-10cm	All heaters
R-983	8-15cm	All heaters



Decorative Sauna Stones  
Natural Light  
Rounded (10kg)

code:	size:	use:
R-982-N	3-10cm	All heaters
R-983-N	8-15cm	All heaters



# SAUNA Controls

Pleasurable moments are just few clicks away.



# SAWO Sense



The **SAWO Sense** takes smart sauna control to the next level with its sleek touchscreen interface. It offers effortless management of temperature, lighting, and other sauna functions through both its intuitive display and the SAWO app via built-in Wi-Fi connectivity.

With real-time monitoring and remote access, users can customize and control their sauna sessions anytime, anywhere. Designed for heaters up to 9,0kW, the system can be extended to 18,0kW with a contactor unit, ensuring flexibility for saunas of all sizes.



SAWO Sense Metal  
code: SEN-UI-SST



SAWO Sense Black  
code: SEN-UI-BL



SAWO Sense Pinaceae  
code: SEN-UI-PC



SAWO Sense White  
code: SEN-UI-WH



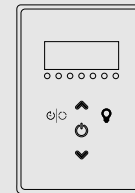
# Saunova 2.0 PLUS

Our new smart sauna control unit, the **Saunova 2.0 PLUS**, gives the user even more freedom of use.

The control unit includes Wi-Fi connectivity, meaning that it can be controlled via the SAWO app. The app allows for a more customized sauna experience and remote control of multiple sauna functions, such as temperature and lighting. With real-time monitoring, the app user gets instant access to the current sauna temperature and session time.

The Saunova 2.0 PLUS comes with an intuitive user interface that can be placed inside or outside the sauna room.

Engineered for heaters of up to 9,0kW, the Saunova 2.0 PLUS can also be extended to 18,0kW with a contactor unit.



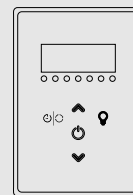
## Saunova 2.0 PLUS (SAU-UI-V2-P)

- » Remote control: Set schedule and control the heater from anywhere and any distance.
- » Intuitive interface: Use the app and controls with ease, thanks to our streamlined UI/UX design.
- » Integrated controls: All control settings can be managed through one platform: the smart control or the mobile app.
- » Real-time monitoring: Get instant access to the current sauna temperature and session time.
- » Safety: Heaters automatically turn off when the timer reaches zero.



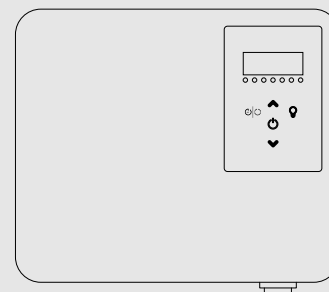
### Saunova 2.0 (SAU-UI-V2)

- » Dimensions: (L) 37 x (W) 104 x (H) 147mm
- » Direct control for all Ni2 heaters, for NS Heaters 2,3 – 9,0kW add Saunova 2.0 Power Controller, for 9,0 – 18,0kW add Saunova 2.0 Contactor Unit
- » Power Controller
- » More than 9,0kW needs a Contactor
- » Smart heater control feature for automatic heat control
- » Optional Fan and Combi features



### Saunova 2.0 Built-in (SAU-B-V2)

- » Dimensions: (L) 80 x (W) 320 x (H) 270mm
- » Combined User Interface and Power Controller
- » For all NS heaters 2,3 – 9,0kW, for 9,0 – 18,0kW add Saunova 2.0 Contactor Unit
- » Smart heater control feature for automatic heat control
- » Compatible with Door Sensor
- » Optional Fan and Combi features



### Saunova 2.0 Power Controller (SAU-PC-V2)



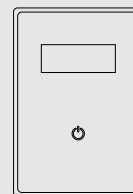
### Saunova 2.0 Contactor Unit (SAU-PS-V2)



⚠ Required for higher than a 9,0kW power supply.

### Saunova Simple (SAU-UI-S)

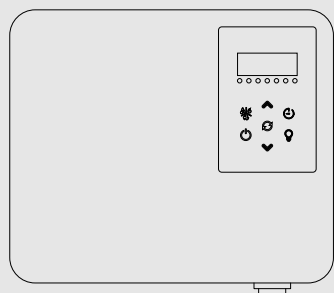
- » Dimensions: (L) 37 x (W) 104 x (H) 147mm
- » For those looking for simplicity on sauna heater control. Enables the to focus on the basics, turning the heater on / off.





### Innova Classic 2.0 (INC-S-V2)

- » Dimensions: (L) 37 x (W) 104 x (H) 147mm
- » Direct control for all Ni heaters, for NS heaters 2,3 – 15,0kW add the Innova 2.0 Power Controller, for 15,0 – 30,0kW add Innova 2.0 Contactor Unit
- » Smart heater control feature for automatic heat control
- » Compatible with Door Sensor
- » Optional Fan and Combi features



### Innova Classic 2.0 Built-in (INC-B-V2)

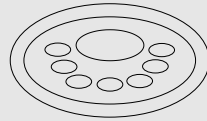
- » Dimensions: (L) 80 x (W) 320 x (H) 270mm
- » Combined User Interface and Power Controller
- » For all NS Heaters 2,3 – 15,0kW, connect with Innova 2.0 Contactor Unit for 15,0 – 30,0kW heaters
- » Smart heater control feature for automatic heat control
- » Optional Fan and Combi features



### Innova Stainless Steel Touch (INT-S-SST)

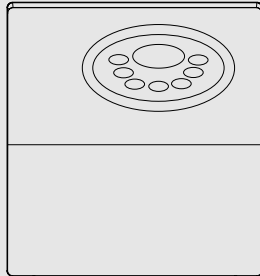
- » Dimensions: (L) 37 x (W) 147 x (H) 104mm
- » Direct control for all Ni heaters, for NS heaters 2,3 – 15,0kW add the Innova 2.0 Power Controller, for 15,0 – 30,0kW add Innova 2.0 Contactor Unit
- » Smart heater control feature for automatic heat control
- » Compatible with Door Sensor
- » Optional easy mode
- » Power blackout memory
- » Optional Fan, Dimmer and Combi features





**Innova Classic (INC-S)**

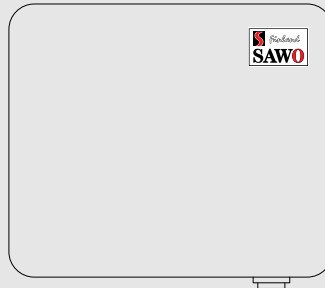
- » Dimensions: (L) 31 x (W) 180 x (H) 105mm
- » Direct control for all Ni heaters, for NS heaters 2,3 – 15,0kW add the Innova 2.0 Power Controller, for 15,0 – 30,0kW add the Innova 2.0 Contactor Unit
- » Smart heater control feature for automatic heat control
- » Compatible with Door Sensor
- » Pre-run timer
- » Optional Fan, Dimmer and Combi features



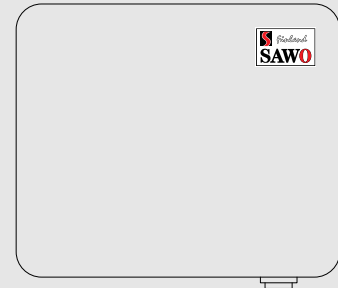
**Innova Classic Built-in (INC-B)**

- » Dimensions: (L) 75 x (W) 245 x (H) 265mm
- » Combined User Interface and Power Controller
- » For all NS Heaters 2,3 – 15,0kW, for 15,0 – 30,0kW add the Innova 2.0 Contactor Unit
- » Smart heater control feature for automatic heat control
- » Optional Fan, Dimmer and Combi features

**Innova 2.0  
Power Controller  
(INP-C-V2)**



**Innova 2.0  
Contactor Unit  
(INP-S-V2)**



! Required for higher than a 15,0kW power supply.



### INCLUSIONS



**RJ12 Cable**

code:	length:
INN-R50	50m
INN-R25	25m
INN-R10	10m
INN-R5	5m



**Temperature Sensor with Fuse**

INN-FTEMP

### OPTIONAL ITEMS

#### INTERFACE HOLDERS

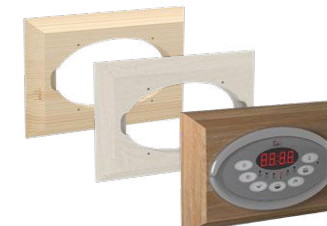
» For Saunova 2.0, Innova Classic 2.0, Innova Stainless Steel Touch, Innova Classic, Steam 2.0, Steam Stainless Steel Touch, and Steam STE controls



INN-IH23-PC | INN-IH23-A | INN-IH23-D



INN-IH10-PC | INN-IH10-A | INN-IH10-D



INN-IH20-PC | INN-IH20-A | INN-IH20-D

#### TEMPERATURE SENSORS



**Additional Second Temperature Sensor**

INN-BTEMP



**Additional Humidity and Temperature Sensor**

INN-HUM

# SAUNA Accessories

Our outstanding collection of sauna accessories from ladles to pails and complete accessory sets complements any sauna design.



# Traditional

The choice with a clean, timeless, and traditional finish. It delivers all the essential tools for everyday sauna use.

code: SET-TRAD

**SET INCLUDES:** Wooden Pail Traditional 4L Cedar, Wooden Ladle Standard Cedar (36cm), Wooden Thermometer Cut Corner Square Cedar, Wooden Sandtimer Basic 45x300mm Cedar, Sauna Signage Cedar, and Sauna Guidelines Cedar

codes: 340-BD, 430-D, 220-TD, 552-BD, 950-D, and 955-D



# Essential

The **Essential set** takes comfort and style to the next level, offering a wider collection of sauna items to enjoy.

code: SET-ESS

**SET INCLUDES:** Wooden Pail 4L Western Red Cedar, Wooden Ladle Western Red Cedar (36cm), Wooden Thermohygrometer Western Red Cedar, Wooden Sandtimer Western Red Cedar, Aroma Cup, Aroma Oil Eucalyptus Scent (250ml), Sauna Signage Cedar, and Sauna Guidelines Cedar

codes: 340-D, 430-D, 221-THD, 553-D, R-100, ARO-EUCA250, 950-D, and 955-D





# Signature

The distinguished **Signature set** is for those seeking an elegant and sophisticated sauna experience.

code: SET-SIG-BL

**SET INCLUDES:** Wooden Pail Kanto 4L Black, Wooden Ladle Puro (51cm) Black, Thermo-Hygrometer Square Black, Wooden Sandtimer Black, Wooden Pillow Wave Black, Aroma Cup, Aroma Oil Eucalyptus Scent (250ml), Sauna Signage Black, and Sauna Guidelines Cedar

codes: 347-BL, 459-BL, 225-THBL, 554-BL, 515-BL, R-100, ARO-EUCA250, 950-BL, and 955-D

code: SET-SIG-D

**SET INCLUDES:** Wooden Pail Kanto 4L Cedar, Wooden Ladle Puro (51cm) Cedar, Thermo-Hygrometer Square Cedar, Wooden Sandtimer Cedar, Wooden Pillow Wave Cedar, Aroma Cup, Aroma Oil Eucalyptus Scent (250ml), Sauna Signage Cedar, and Sauna Guidelines Cedar

codes: 347-D, 459-D, 225-THD, 554-D, 515-D, R-100, ARO-EUCA250, 950-D, and 955-D



# Dragon

With unparalleled style and innovation, the **Dragon set** offers a unique, bold look with added flair. This set is part of the Dragonfire Series, designed by renowned Finnish designer *Stefan Lindfors*.

code: SET-DRAGON

**SET INCLUDES:** Dragon Pail 4L Cedar, Wooden Ladle Dragon Cedar, Thermo-Hygrometer Square Cedar, Wooden Sandtimer Cedar, Wooden Pillow Wave Cedar, Aroma Cup, Aroma Oil Eucalyptus Scent (250ml), Sauna Signage Cedar, and Sauna Guidelines Cedar

codes: 342-D, 449-D, 225-THD, 553-D, 515-D, R-100, ARO-EUCA250, 950-D, and 955-D

code: SET-DRAGON-BL

**SET INCLUDES:** Dragon Pail 4L Black, Wooden Ladle Dragon Black, Thermo-Hygrometer Square Black, Wooden Sandtimer Black, Wooden Pillow Wave Black, Aroma Cup, Aroma Oil Eucalyptus Scent (250ml), Sauna Signage Black, and Sauna Guidelines Cedar

codes: 342-BL, 449-BL, 225-THBL, 553-BL, 515-BL, R-100, ARO-EUCA250, 950-BL, and 955-D



# PAIL Shower

The **pail shower** is with a rope on the lever, hose and float valve. Its arc shaped holder design gives more possibilities to place shower either on the ceiling or to the wall. Pail shower is suitable for indoor or outdoor use. The hose needs to be connected to a water inlet so when water is flushed out, the pail will automatically be refilled – a never ending pail shower!

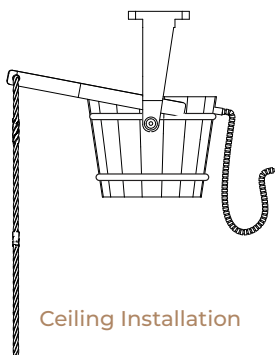


Pail Shower

code: 393-PC | D | BL  
 capacity: 18L  
 option: Pinaceae | Cedar | Black



Wall Installation



Ceiling Installation



# Pails



**Kanto**

code: 347-PC | 347-WH | 347-BL  
capacity: 4L  
option: Pinaceae | White | Black



**Lovi**

code: 346-PC | 346-WH | 346-BL  
capacity: 4L  
option: Pinaceae | White | Black



**Usva**

code: 374-MA | 374-MD  
capacity: 5L  
option: Aspen | Cedar



**Stainless Steel Pail with Curved Handle**

code: 373-MA | 373-MD  
capacity: 5L  
option: Aspen | Cedar



**Stainless Steel Pail with Wooden Handle**

code: 375-MPC | 375-MA | 375-MD  
capacity: 5L  
option: Pinaceae | Aspen | Cedar



**Wooden Pail Rattan with Stainless Steel Insert**

code: 371-MPC | 371-MA | 371-MD  
capacity: 5L  
option: Pinaceae | Aspen | Cedar



**Dragon Pail 4L**

code: 342-D | 342-BL  
capacity: 4L  
option: Cedar | Black



**Dragon Pail 9L**

code: 300-D | 300-BL  
capacity: 9L  
option: Cedar | Black



**Wooden Pail Traditional**

code: 300-TPC | 300-TA | 300-TD  
capacity: 9L  
option: Pinaceae | Aspen | Cedar



**Wooden Pail Rattan**

code: 300-HPC | 300-HA | 300-HD  
capacity: 9L  
option: Pinaceae | Aspen | Cedar



**Wooden Pail Classic**

code: 340-PC | 340-A | 340-D  
capacity: 4L  
option: Pinaceae | Aspen | Cedar



**Wooden Pail Rattan**

code: 341-PC | 341-A | 341-D  
capacity: 4L  
option: Pinaceae | Aspen | Cedar



**Steamwater Pail 4L**

code: 342-D-DRF | 342-BL-DRF  
capacity: 4L  
option: Cedar | Black



**Steamwater Pail 9L**

code: 300-D-DRF | 300-BL-DRF  
capacity: 9L  
option: Cedar | Black



**Wooden Pail 18L**

code: 381-PC | 381-A | 381-D  
capacity: 18L  
option: Pinaceae | Aspen | Cedar



**Wooden Cover for 381 Pail**

code: 381-PC-COV | 381-A-COV | 381-D-COV  
use: Cover for 381 pail  
option: Pinaceae | Aspen | Cedar



**Wooden Pail 28L**

code: 391-PC | 391-A | 391-D  
capacity: 28L  
option: Pinaceae | Aspen | Cedar



**Wooden Cover for 391 Pail**

code: 391-PC-COV | 391-A-COV | 391-D-COV  
use: Cover for 391 pail  
option: Pinaceae | Aspen | Cedar



**Wooden Pail 40L**

code: 392-PC | 392-A | 392-D  
capacity: 40L  
option: Pinaceae | Aspen | Cedar



**Wooden Cover for 392 Pail**

code: 392-PC-COV | 392-A-COV | 392-D-COV  
use: Cover for 392 pail  
option: Pinaceae | Aspen | Cedar



# Ladles



Wooden Ladle  
Standard 36cm

code: 430-PC | 430-A | 430-D  
size: 360mm  
option: Pinaceae | Aspen | Cedar



Wooden Ladle  
Standard 42cm

code: 440-PC | 440-A | 440-D  
size: 420mm  
option: Pinaceae | Aspen | Cedar



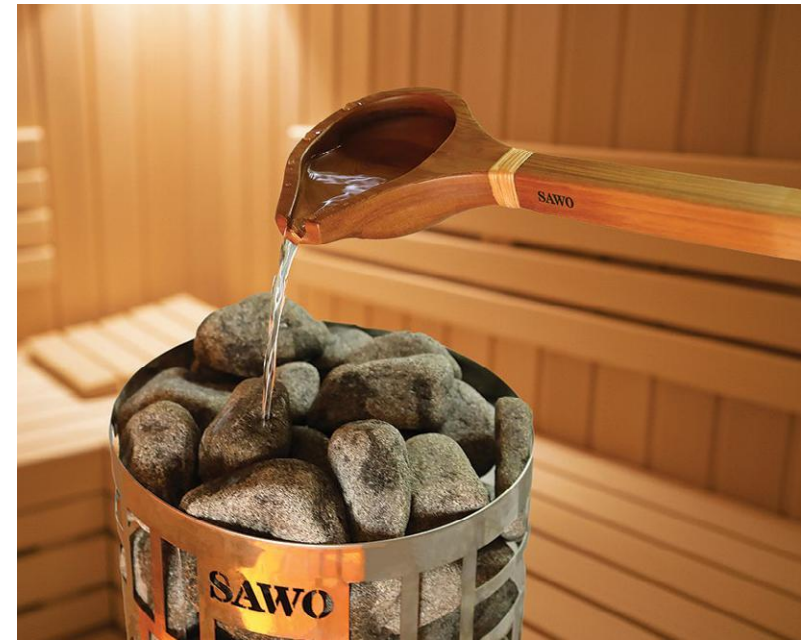
Wooden Ladle  
Standard 52cm

code: 443-PC | 443-A | 443-D  
size: 520mm  
option: Pinaceae | Aspen | Cedar



Wooden Ladle  
Standard 68cm

code: 444-PC | 444-A | 444-D  
size: 680mm  
option: Pinaceae | Aspen | Cedar



Wooden Ladle  
Puro 51cm

code: 459-PC | 459-D | 459-BL  
size: 510mm  
option: Pinaceae | Cedar | Black



Wooden Ladle  
Puro 67cm

code: 460-PC | 460-D | 460-BL  
size: 670mm  
option: Pinaceae | Cedar | Black



Wooden Ladle  
Puro 81cm

code: 461-PC | 461-D | 461-BL  
size: 810mm  
option: Pinaceae | Cedar | Black



Kanto Ladle 52cm

code: 451-MPC | 451-MWH | 451-MBL  
size: 520mm  
option: Pinaceae | White | Black



Dragon Ladle 50cm

code: 449-D | 449-BL  
size: 498mm  
option: Cedar | Black



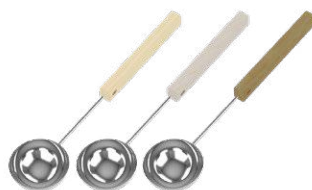
Steamshot Ladle 50cm

code: 449-D-DRF | 449-BL-DRF  
size: 498mm  
option: Cedar | Black



Stainless Steel Ladle 41cm

code: 441-MPC | 441-MA | 441-MD  
size: 410mm  
option: Pinaceae | Aspen | Cedar



Stainless Steel Ladle Siro 46.5cm

code: 445-MPC | 445-MA | 445-MD  
size: 465mm  
option: Pinaceae | Aspen | Cedar



Stainless Steel Ladle Usva 42cm

code: 442-MPC | 442-MA | 442-MD  
size: 420mm  
option: Pinaceae | Aspen | Cedar



Stainless Steel Ladle  
with Curved Handle 45.5cm

code: 453-MA | 453-MD  
size: 460mm  
option: Aspen | Cedar



Stainless Steel Ladle Siro 70.5cm

code: 446-MPC | 446-MA | 446-MD  
size: 705mm  
option: Pinaceae | Aspen | Cedar



# Thermometers and Combined Meters



**Loisto Square Thermometer**  
code: 108-TD  
size: 110 x 85mm  
option: Cedar



**Loisto Rounded Thermometer**  
code: 109-TD  
size: 110 x 85mm  
option: Cedar



**Kanto Thermometer**  
code: 104-TD | 104-TWH | 104-TBL  
size: 116 x 116mm  
option: Cedar | White | Black



**Black Metal Thermometer**  
code: 295-TMBL  
size: 110 x 110mm  
option: Black Metal



**Black Metal Thermo-Hygrometer**  
code: 295-THMBL  
size: 220 x 110mm  
option: Black Metal



**Square Thermo-Hygrometer**  
code: 225-THPC | THA | THD | THBL  
size: 180 x 180mm  
option: Pinaceae | Aspen | Cedar | Black



**Curved Square Thermo-Hygrometer**  
code: 285-THPC | THA | THD  
size: 170 x 175mm  
option: Pinaceae | Aspen | Cedar



**Octagon Thermo-Hygrometer**  
code: 241-THPC | THA | THD  
size: 175 x 225mm  
option: Pinaceae | Aspen | Cedar



**2 Accent Stone Thermometer**  
code: 280-TRPC | 280-TRA | 280-TRD  
size: 125 x 160mm  
option: Pinaceae | Aspen | Cedar



**1 Accent Stone Thermometer**  
code: 280-TRIPC | 280-TRIA | 280-TRID  
size: 125 x 160mm  
option: Pinaceae | Aspen | Cedar



**2 Accent Stone Thermo-Hygrometer**  
code: 281-THRPC | THRA | THRD  
size: 160 x 160mm  
option: Pinaceae | Aspen | Cedar



**1 Accent Stone Thermo-Hygrometer**  
code: 281-THRIPC | THRIA | THRID  
size: 160 x 185mm  
option: Pinaceae | Aspen | Cedar



**2 Accent Stone Rectangle Thermo-Hygrometer**  
code: 282-THRPC | THRA | THRD  
size: 252 x 135mm  
option: Pinaceae | Aspen | Cedar



**1 Accent Stone Rectangle Thermo-Hygrometer**  
code: 282-THRIPC | THRIA | THRID  
size: 252 x 135mm  
option: Pinaceae | Aspen | Cedar



**Octagon Thermometer**  
code: 240-TPC | 240-TA | 240-TD  
size: 155 x 155mm  
option: Pinaceae | Aspen | Cedar



**Water Drop Thermometer**  
code: 250-TPC | 250-TA | 250-TD  
size: 145 x 175mm  
option: Pinaceae | Aspen | Cedar



**Accent Stone Vertical Thermo-Hygrometer**  
code: 283-THVRPC | THVRA | THVRD  
size: 155 x 255mm  
option: Pinaceae | Aspen | Cedar



**Water Drop Thermo-Hygrometer**  
code: 251-THPC | THA | THD  
size: 185 x 225mm  
option: Pinaceae | Aspen | Cedar



**Basic Curved Rectangle Thermo-Hygrometer**  
code: 271-THBPC | THBA | THBD  
size: 225 x 140mm  
option: Pinaceae | Aspen | Cedar



**Curved Rectangle Thermo-Hygrometer**  
code: 271-THPC | THA | THD  
size: 225 x 140mm  
option: Pinaceae | Aspen | Cedar



**Cut Corner Square Thermometer**  
code: 220-TPC | 220-TA | 220-TD  
size: 136 x 136mm  
option: Pinaceae | Aspen | Cedar



**Square Thermometer**  
code: 223-TPC | 223-TA | 223-TD  
size: 140 x 140mm  
option: Pinaceae | Aspen | Cedar



**Rectangle Thermo-Hygrometer**  
code: 224-THPC | THA | THD  
size: 255 x 140mm  
option: Pinaceae | Aspen | Cedar



**Rounded Rectangle Thermo-Hygrometer**  
code: 222-THPC | THA | THD  
size: 225 x 140mm  
option: Pinaceae | Aspen | Cedar



**Cut Corner Rectangle Thermo-Hygrometer**  
code: 221-THPC | 221-TA | 221-TD  
size: 225 x 140mm  
option: Pinaceae | Aspen | Cedar



**Cut Corner Vertical Rectangle Thermo-Hygrometer**  
code: 221-THVPC | THVA | THVD  
size: 136 x 251mm  
option: Pinaceae | Aspen | Cedar

# Clocks



**Loisto Wooden Clock Square**  
code: 534-D  
size: 180 x 180mm  
option: Cedar



**Loisto Wooden Clock Round**  
code: 535-D  
size: Ø180mm  
option: Cedar



**Wooden Pail Clock**  
code: 530-PC | 530-A | 530-D  
size: Ø260 x 90mm  
option: Pinaceae | Aspen | Cedar



**Wooden Pail Clock Small**  
code: 531-PC | 531-A | 531-D  
size: Ø230 x 40mm  
option: Pinaceae | Aspen | Cedar



# Sandtimers



**Sand Timer 15min**  
code: 553-A | 553-PC | 553-D | 553-BL  
size: 65 x 340mm  
option: Aspen | Pinaceae | Cedar | Black



**Sand Timer Kanto 15min**  
code: 554-A | 554-D | 554-BL  
size: 65 x 340mm  
option: Aspen | Cedar | Black



**Sand Timer Tag 15min**  
code: 550-PC | 550-A | 550-D  
size: 65 x 340mm  
option: Pinaceae | Aspen | Cedar



# Headrests and Backrests



**Wave Wooden Backrest**  
code: 506-2-A | 506-2-D | 506-2-BL  
size: 390 x 845mm  
option: Aspen | Cedar | Black



**Wave Wooden Headrest**  
code: 515-A | 515-D | 515-BL  
size: 190 x 480mm  
option: Aspen | Cedar | Black



**Halu Wooden Headrest**  
code: 512-A | 512-D | 512-BL  
size: 180 x 230mm  
option: Aspen | Cedar | Black



**Halu Anti-theft Headrest**  
code: 513-A | 513-D  
size: 190 x 480mm  
option: Aspen | Cedar



**Wooden Backrest**  
code: 516-PC | 516-A | 516-D  
size: 396 x 515mm  
option: Pinaceae | Aspen | Cedar



**Wooden Backrest**  
code: 514-A | 514-D  
size: 346 x 888mm  
option: Aspen | Cedar





## Benches



Siro Sauna Bench 42cm

code: 528-D  
size: 280 x 420 x 420mm  
option: Cedar



Siro Sauna Bench 85cm

code: 529-D  
size: 280 x 850 x 420mm  
option: Cedar



Siro Sauna Bench 120cm

code: 529-L-D  
size: 280 x 1200 x 420mm  
option: Cedar



Sauna Bench 2-Layers

code: 524-D  
size: 760 x 534 x 562mm  
option: Cedar



Sauna Bench

code: 520-D  
size: 430 x 534 x 412mm  
option: Cedar



Sauna Bench

code: 521-D  
size: 430 x 870 x 412mm  
option: Cedar



Sauna Bench

code: 522-D  
size: 500 x 870 x 510mm  
option: Cedar



Sauna Bench

code: 523-D  
size: 500 x 1200 x 510mm  
option: Cedar

## Hangers



Wooden Curve Towel Hanger

code: 589-A | 589-D | 589-BL  
size: 42 X 240mm  
option: Aspen | Cedar | Black



## Hook Racks



Wooden Cloth Hanger - 3 Holders

code: 582-PC | 582-A | 582-D  
size: 42 x 240mm  
option: Pinaceae | Aspen | Cedar



Wooden Cloth Hanger - 4 Holders

code: 586-PC | 586-A | 586-D  
size: 42 x 340mm  
option: Pinaceae | Aspen | Cedar



Wooden Cloth Hanger - 5 Holders

code: 583-PC | 583-A | 583-D  
size: 42 x 440mm  
option: Pinaceae | Aspen | Cedar

## Floor Mat Tiles



Wooden Floor Mat Block

code: 595-PC-BC | 595-A-BC | 595-D-BC  
size: 285 x 285mm  
thickness: 22mm  
option: Pinaceae | Aspen | Cedar



Wooden Floor Mat Corner Frame

code: 595-PC-CNR | 595-A-CNR | 595-D-CNR  
size: 390 x 115mm  
thickness: 22mm  
option: Pinaceae | Aspen | Cedar



Wooden Floor Mat Sides

code: 595-PC-SID | 595-A-SID | 595-D-SID  
size: 285 x 115mm  
thickness: 22mm  
option: Pinaceae | Aspen | Cedar

## Sauna Lights and Light Covers



Wooden Curve Light 240

code: 923-D | 923-D-SET  
923-BL | 923-BL-SET  
size: 240 x 85 x 60mm  
option: Cedar | Black

NOTE: Set includes 2 lights



Wooden Curve Light 364

code: 924-D | 924-D-SET  
924-BL | 924-BL-SET  
size: 364 x 85 x 60mm  
option: Cedar | Black

NOTE: Set includes 2 lights



Wooden Curve Light 614

code: 925-D | 925-D-SET  
925-BL | 925-BL-SET  
size: 614 x 85 x 60mm  
option: Cedar | Black

NOTE: Set includes 2 lights



Wooden Light Cover Square

code: 910-SPC | 910-SA | 910-SD  
size: 250 x 75mm  
option: Pinaceae | Aspen | Cedar



Wooden Light Cover Square

code: 911-LPC | 911-LA | 911-LD  
size: 250 x 135mm  
option: Pinaceae | Aspen | Cedar



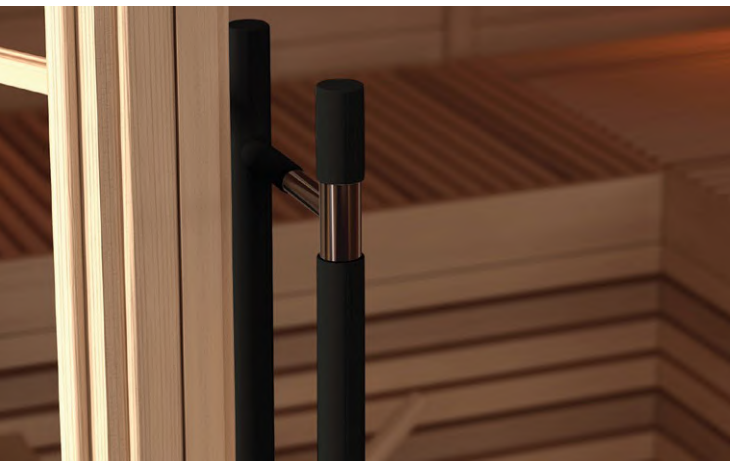
Wooden Light Cover Corner/Wall

code: 914-VPC | 914-VA | 914-VD  
size: 150 x 110mm  
option: Pinaceae | Aspen | Cedar



Wooden Light Cover Wave

code: 917-PC | 917-A | 917-D  
size: 207 x 280mm  
option: Pinaceae | Aspen | Cedar



# Door Handles



Wooden Arc Door Handle

code: 558-A | 558-D | 558-BL  
size: 40 x 900mm  
option: Aspen | Cedar | Black



Wooden Straight Door Handle

code: 559-A | 559-D | 559-BL  
size: 40 x 900mm  
option: Aspen | Cedar | Black



Wooden Straight Door Handle with metal Accent

code: 560-A | 560-D | 560-BL  
size: 36 x 900mm  
option: Aspen | Cedar | Black



Door Hinge Round

code: 571 | 571-BL  
size: 90 x 70mm  
option: Aluminum | Black



Wooden Door Handle Small Round

code: 565-PC | 565-A | 565-D  
size: Ø65 x W70mm  
option: Pinaceae | Aspen | Cedar



Wooden Door Handle Big Round

code: 566-PC | 566-A | 566-D  
size: Ø90 x W50mm  
option: Pinaceae | Aspen | Cedar



Wooden Door Handle with Magnetic Lock

code: 568-PC | 568-A | 568-D  
size: 260 x 45mm  
option: Pinaceae | Aspen | Cedar



Door Lock Magnet Round, Heavy-Duty

code: 574  
size: 17 x 28.5mm  
option: Aluminum

# Ventilation



Metallic Ventilation Cover Circle

code: 640-MBR  
size: Ø160mm  
option: Metallic Brown



Wooden Ventilation Cover Circle

code: 641-D  
size: Ø160mm  
option: Cedar



Ventilation Louver Circle

code: 631-PC | 631-A | 631-D  
size: Ø145mm  
ducting hole: 100mm  
option: Pinaceae | Aspen | Cedar



Ventilation Louver Circle

code: 634-PC | 634-A | 634-D  
size: Ø170mm  
ducting hole: 125mm  
option: Pinaceae | Aspen | Cedar



Ventilation Louver Circle

code: 638-PC | 638-A | 638-D | 638-BL  
size: Ø145mm  
ducting hole: 100mm  
option: Pinaceae | Aspen | Cedar | Black



Ventilation Louver Circle

code: 639-PC | 639-A | 639-D | 639-BL  
size: Ø170mm  
ducting hole: 125mm  
option: Pinaceae | Aspen | Cedar | Black



Ventilation Louver Square

code: 620-PC | 620-A | 620-D  
size: 215 x 170mm  
option: Pinaceae | Aspen | Cedar

# Display Stand Wall



Display Stand Wall 1  
code: DP-15  
size: (W)1110 x (D)630 x (H)2000mm



Display Stand Wall 2  
code: DP-16  
size: (W)2300 x (D)630 x (H)2000mm



Display Stand Wall 3  
code: DP-17  
size: (W)3400 x (D)630 x (H)2000mm

# Add Ons



Sauna Signage  
code: 950-PC | 950-A | 950-D | 950-BL  
size: 150 x 80mm  
option: Pinaceae | Aspen | Cedar | Black



Moisture Paper  
code: SP02-900  
size: 1,200mm x 77mm x 77mm



# Doors



Wooden Stripe  
Sauna Door

code: 770-4SD-R | 770-4SD-L  
Opening size: 610 x 1955mm  
Frame size: 700 x 2040mm  
option: Cedar



Wooden Stripe  
Sauna Door

code: 771-4SD-R | 771-4SD-L  
Opening size: 915 x 2030mm  
Frame size: 1005 x 2120mm  
option: Cedar



Wooden Reversible Sauna Door

code: 773-4SPC | 773-4SA | 773-4SD  
Opening size: 915 x 1990mm  
Frame size: 1005 x 2075mm  
option: Pinaceae | Aspen | Cedar



Wooden Reversible Sauna Door

code: 734-4SPC | 734-4SA | 734-4SD  
Opening size: 610 x 1935mm  
Frame size: 700 x 2040mm  
option: Pinaceae | Aspen | Cedar



Wooden Door with  
Clear Glass Window

code: 743-4SCPC-R | L / 743-4SCA-R | L /  
743-4SCD-R | L  
Opening size: 600 x 1800mm  
Frame size: 690 x 1890mm  
option: Pinaceae | Aspen | Cedar



Wooden Door with  
Bronze Glass Window

code: 743-4SGPC-R | L / 743-4SGA-R | L /  
743-4SGD-R | L  
Opening size: 600 x 1800mm  
Frame size: 690 x 1890mm  
option: Pinaceae | Aspen | Cedar



Wooden Sauna Door with Window

code: 736-4SGPC-R | L / 736-4SGA-R | L /  
736-4SGD-R | L  
Opening size: 915 x 2015mm  
Frame size: 1005 x 2120mm  
option: Pinaceae | Aspen | Cedar



Wooden Wide Clear Window  
Sauna Door

code: 739-3SCPC-R | L / 739-3SCA-R | L / 739-3SCD-R | L  
Opening size: 915 x 2035mm  
Frame size: 1005 x 2075mm  
option: Pinaceae | Aspen | Cedar



Wooden Wide Bronze Window  
Sauna Door

code: 739-3SGPC-R | L / 739-3SGA-R | L / 739-3SGD-R | L  
Opening size: 915 x 2035mm  
Frame size: 1005 x 2075mm  
option: Pinaceae | Aspen | Cedar



Clear Glass Reversible Sauna Door

code: 730-4SCPC | 730-4SCA | 730-4SCD  
 Opening size: 600 x 1800mm  
 Frame size: 690 x 1890mm  
 option: Pinaceae | Aspen | Cedar



Clear Glass Reversible Sauna Door

code: 731-4SCPC | 731-4SCA | 731-4SCD  
 Opening size: 700 x 1800mm  
 Frame size: 790 x 1890mm  
 option: Pinaceae | Aspen | Cedar



Clear Glass Reversible Sauna Door with Vertical Wooden Handle Arc

code: 741-4SCA-1 | 741-4SCD-1  
 Opening size: 600 x 1800mm  
 Frame size: 690 x 1890mm  
 option: Aspen | Cedar



Clear Glass Reversible Sauna Door with Vertical Wooden Handle Metal

code: 741-4SCA-3 | 741-4SCD-3  
 Opening size: 600 x 1800mm  
 Frame size: 690 x 1890mm  
 option: Aspen | Cedar



Bronze Glass Reversible Sauna Door Standard

code: 730-4SGPC | 730-4SGA | 730-4SGD  
 Opening size: 600 x 1800mm  
 Frame size: 690 x 1890mm  
 option: Pinaceae | Aspen | Cedar



Bronze Glass Reversible Sauna Door Standard

code: 731-4SGPC | 731-4SGA | 731-4SGD  
 Opening size: 700 x 1800mm  
 Frame size: 790 x 1890mm  
 option: Pinaceae | Aspen | Cedar



Bronze Glass Reversible Sauna Door with Arc Handle

code: 741-4SGPC-1 | 741-4SGA-1 | 741-4SGD-1  
 Opening size: 600 x 1800mm  
 Frame size: 690 x 1890mm  
 option: Pinaceae | Aspen | Cedar



Bronze Glass Reversible Sauna Door with Metallic Handle

code: 741-4SGPC-3 | 741-4SGA-3 | 741-4SGD-3  
 Opening size: 600 x 1800mm  
 Frame size: 690 x 1890mm  
 option: Pinaceae | Aspen | Cedar

Left-handed Bronze Glass Sauna Door Finland

code: 730-3SGPC-L | 730-3SGA-L | 730-3SGD-L  
 Opening size: 600 x 1800mm  
 Frame size: 690 x 1890mm  
 option: Pinaceae | Aspen | Cedar

Left-handed Bronze Glass Sauna Door Finland

code: 731-3SGPC-L | 731-3SGA-L | 731-3SGD-L  
 Opening size: 700 x 1800mm  
 Frame size: 790 x 1890mm  
 option: Pinaceae | Aspen | Cedar

Left-handed Bronze Glass Sauna Door Finland with Arc Handle

code: 741-3SGPC-L-1 | 741-3SGA-L-1 | 741-3SGD-L-1  
 Glass size: 600 x 1800mm  
 Frame size: 690 x 1890mm  
 option: Pinaceae | Aspen | Cedar

Left-handed Bronze Glass Sauna Door Finland with Metallic Handle

code: 741-3SGPC-L-3 | 741-3SGA-L-3 | 741-3SGD-L-3  
 Opening size: 600 x 1800mm  
 Frame size: 690 x 1890mm  
 option: Pinaceae | Aspen | Cedar

Right-handed Bronze Glass Sauna Door Finland

code: 730-3SGPC-R | 730-3SGA-R | 730-3SGD-R  
 Opening size: 600 x 1800mm  
 Frame size: 690 x 1890mm  
 option: Pinaceae | Aspen | Cedar

Right-handed Bronze Glass Sauna Door Finland

code: 731-3SGPC-R | 731-3SGA-R | 731-3SGD-R  
 Opening size: 700 x 1800mm  
 Frame size: 790 x 1890mm  
 option: Pinaceae | Aspen | Cedar

Right-handed Bronze Glass Sauna Door Finland with Arc Handle

code: 741-3SGPC-R-1 | 741-3SGA-R-1 | 741-3SGD-R-1  
 Opening size: 600 x 1800mm  
 Frame size: 690 x 1890mm  
 option: Pinaceae | Aspen | Cedar

Right-handed Bronze Glass Sauna Door Finland with Metallic Handle

code: 741-3SGPC-R-3 | 741-3SGA-R-3 | 741-3SGD-R-3  
 Opening size: 600 x 1800mm  
 Frame size: 690 x 1890mm  
 option: Pinaceae | Aspen | Cedar

# KIVISTONE®

**Kivistone** is a collection of beautiful accessories carved from Finnish soapstone. Each of these items are uniquely designed for house interiors, household use and for personal or corporate gifts.

- » Coolers and cooler sets
- » Aroma cups and scent basins
- » Miscellaneous items

① Check [sawo.com](http://sawo.com) for more accessories



**Luxury Aroma Cup (ø)50**  
code: R-160  
size: 50 x 50 x 50mm  
weight: 0,2kG



**Aroma Cup (ø)50**  
code: R-100  
size: 50 x 50 x 60mm  
weight: 0,3kG



**Aroma Spirit Cup**  
code: R-501  
size: 75 x 75 x 120mm  
weight: 0,7kG



**Scent Warmer**  
code: R-123  
size: 75 x 75 x 80mm  
weight: 0,7kG



**Stone Cup (ø)75**  
code: R-111  
size: 75 x 75 x 60mm  
weight: 0,4kG



**Stone Glass (ø)60**  
code: R-112  
size: 60 x 60 x 85mm  
weight: 0,6kG



**Stone Shot Glass (ø)35**  
code: R-200  
size: 35 x 35 x 120mm  
weight: 0,1kG



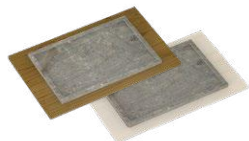
**Cooler (1 hole)**  
code: R-141  
size: 100 x 100 x 75mm  
weight: 1,3kG



**Wine Cooler Stone**  
code: R-93-D  
size: 230 x 155 x 84mm  
option: Soapstone/Cedar



**Spa Stones Set**  
code: R-500-D  
size: 90 x 128 x 178mm  
option: Soapstone/Cedar



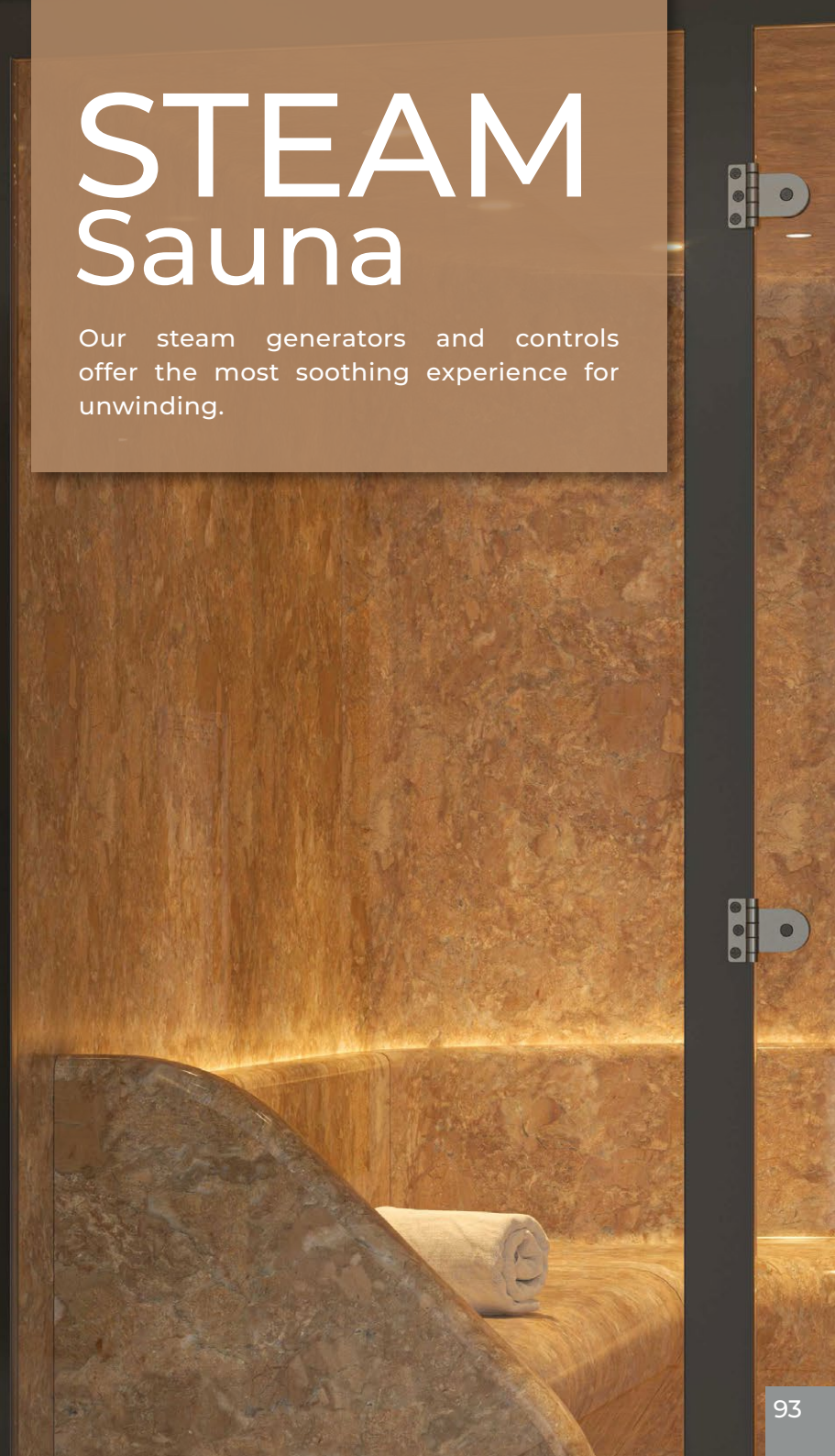
**Stone Plate w/ Wooden Tray**  
code: R-153-D / R-153-A  
size: 400 x 250 x 37mm  
option: Soapstone/Cedar or Aspen



**Tower Set 3**  
code: R-125  
size: 180 x 60 x 180mm  
option: Soapstone

# STEAM Sauna

Our steam generators and controls offer the most soothing experience for unwinding.

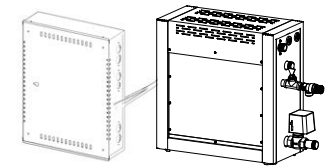




# STN-S Steam Generator

Built for power and performance, the **STN-S** steam generator features more flexible installation options. It has a separate electronics compartment, meaning that the generator can be installed in a different location than the electronics. Its cassette-style heating elements simplify cleaning and maintenance of the tank, while aroma, fan, and dimmer controls let you customize every steam session.

Extra steam is just a button away with the demand button feature that can be installed inside or outside of the steam room. Error codes appear on the control for quick troubleshooting. Up to five units can be linked for a maximum of 75,0kW output, all managed from a single SAWO control.



## 2 Heating Elements

- » Power range: 3,0 – 5,0kW
- » Steam output: up to 6,7kg/hr
- » Piping and electrical cables can be installed in either side
- » Own pipe for overpressure valve
- » Auto drain
- » Steam head included
- » Cassette type heating element setup for easy maintenance
- » ¾" steam pipe
- » Stainless steel touch
- » Available controls: STP 2.0 user interface

## 3 Heating Elements

- » Power range: 4,5 – 7,5kW
- » Steam output: up to 7,5kg/hr
- » Piping and electrical cables can be installed in either side
- » Own pipe for overpressure valve
- » Auto drain
- » Steam head included
- » Cassette type heating element setup for easy maintenance
- » ¾" steam pipe
- » Stainless steel touch
- » Available controls: STP 2.0 user interface

## 6 Heating Elements

- » Power range: 9,0 – 15,0kW
- » Steam output: up to 20kg/hr
- » Piping and electrical cables can be installed in either side
- » Own pipe for overpressure valve
- » Auto drain
- » 2 Steam heads included
- » Cassette type heating element setup for easy maintenance
- » ¾" steam pipe
- » Stainless steel touch
- » Available controls: STP 2.0 user interface

## 2 Heating Elements

STEAM GENERATOR MODEL	kW	STEAM ROOM (m³)		SIZE OF STEAM GENERATOR (mm)			WEIGHT (kg)	CONTROL
		MIN	MAX	LENGTH	WIDTH	HEIGHT		
STN-S-30-1/2	3,0		3	185	485	560	17	Stainless Touch   STN-S 2.0
STN-S-35-1/2	3,5		3,5	185	485	560	17	Stainless Touch   STN-S 2.0
STN-S-40-1/2	4,0		4	185	485	560	17	Stainless Touch   STN-S 2.0
STN-S-45-1/2	4,5	2	5	185	485	560	17	Stainless Touch   STN-S 2.0
STN-S-50-1/2	5,0	2	6	185	485	560	17	Stainless Touch   STN-S 2.0

## 3 Heating Elements

STEAM GENERATOR MODEL	kW	STEAM ROOM (m³)		SIZE OF STEAM GENERATOR (mm)			WEIGHT (kg)	CONTROL
		MIN	MAX	LENGTH	WIDTH	HEIGHT		
STN-S-45-3	4,5	2	5	220	485	560	19	Stainless Touch   STN-S 2.0
STN-S-60-3	6,0	3	10	220	485	560	19	Stainless Touch   STN-S 2.0
STN-S-60-C1/3	6,0	3	10	220	485	560	19	Stainless Touch   STN-S 2.0
STN-S-75-3	7,5	4	15	220	485	560	19	Stainless Touch   STN-S 2.0
STN-S-75-C1/3	7,5	4	15	220	485	560	19	Stainless Touch   STN-S 2.0

## 6 Heating Elements

STEAM GENERATOR MODEL	kW	STEAM ROOM (m³)		SIZE OF STEAM GENERATOR (mm)			WEIGHT (kg)	CONTROL
		MIN	MAX	LENGTH	WIDTH	HEIGHT		
STN-S-90-3	9,0	8	20	310	485	560	23	Stainless Touch   STN-W 2.0
STN-S-90-C1/3	9,0	8	20	310	485	560	23	Stainless Touch   STN-W 2.0
STN-S-120-3	12,0	15	28	310	485	560	23	Stainless Touch   STN-W 2.0
STN-S-150-3	15,0	22	40	310	485	560	23	Stainless Touch   STN-W 2.0

# STN-W Steam Generator

A heavy-duty performer built for commercial use, the **STN-W** steam generator features a cassette for heating elements that makes cleaning or replacement quick and simple. The generator's aroma, fan, and dimmer controls allow users to fully customize the sauna experience, while an optional demand button delivers an extra burst of steam on command.

Maintenance and installation are straightforward: error codes are shown on the controller screen, and a removable side window provides easy access to the settings board. The steam outlet can be installed left or right, with the autodrain positioned on the side or bottom. Up to five units can be linked together for a maximum 75,0kW output, all controlled using a single SAWO interface.

ⓘ For more technical information, see page 97.



## 2 Heating Elements

- » Power range: 3,0 – 5,0kW
- » Steam output: up to 6,7kg/hr
- » Own pipe for overpressure valve
- » Auto drain
- » Steam head included
- » Cassette type heating element setup for easy maintenance
- » ¾" steam pipe
- » Stainless steel touch
- » Available controls: STP 2.0 user interface



## 3 Heating Elements

- » Power range: 4,5 – 7,5kW
- » Steam output: up to 7,5kg/hr
- » Own pipe for overpressure valve
- » Auto drain
- » Steam head included
- » Cassette type heating element setup for easy maintenance
- » ¾" steam pipe
- » Stainless steel touch
- » Available controls: STP 2.0 user interface



## 6 Heating Elements

- » Power range: 9,0 – 15,0kW
- » Steam output: up to 20kg/hr
- » Own pipe for overpressure valve
- » Auto drain
- » 2 Steam heads included
- » Cassette type heating element setup for easy maintenance
- » ¾" steam pipe
- » Stainless steel touch
- » Available controls: STP 2.0 user interface

# STN Steam Generator

Built for the demands of commercial use, the **STN** steam generator combines durability and performance. Its solid stainless-steel construction minimizes corrosion, while a range of optional features, including aroma, fan, and dimmer controls, allow for a personalized steam experience. An optional demand button releases extra steam for 30 seconds when needed.

Troubleshooting is effortless, with error codes displayed directly on the controller screen. The system can be installed in either left or right orientation and linked in series with up to five units for a maximum output of 75,0kW, all controlled through a single SAWO interface.



! For more technical information, see page 97.



## 2 Heating Elements

- » Power range: 3,0 – 5,0kW
- » Steam output: up to 6,7kg/hr
- » Can be installed in either side
- » Own pipe for overpressure valve
- » Auto drain
- » Steam head included
- » Cassette type heating element setup for easy maintenance
- » ¾" steam pipe
- » Available controls: STP Classic, STP Classic 2.0 and STP Stainless Steel Touch



## 3 Heating Elements

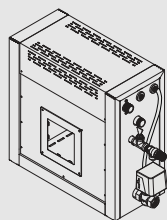
- » Power range: 4,5 – 7,5kW
- » Steam output: up to 7,5kg/hr
- » Can be installed in either side
- » Own pipe for overpressure valve
- » Auto drain
- » Steam head included
- » Cassette type heating element setup for easy maintenance
- » ¾" steam pipe
- » Available controls: STP Classic, STP Classic 2.0 and STP Stainless Steel Touch



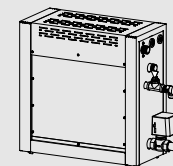
## 6 Heating Elements

- » Power range: 9,0 – 15,0kW
- » Steam output: up to 20kg/hr
- » Can be installed in either side
- » Own pipe for overpressure valve
- » Auto drain
- » 2 Steam heads included
- » Cassette type heating element setup for easy maintenance
- » ¾" steam pipe
- » Available controls: STP Classic, STP Classic 2.0 and STP Stainless Steel Touch

# Technical DATA



STN-W Steam Generator



STN Steam Generator

## 2 Heating Elements

STEAM GENERATOR MODEL	kW	STEAM ROOM (m³)		SIZE OF STEAM GENERATOR (mm)			WEIGHT (kg)	CONTROL
		MIN	MAX	LENGTH	WIDTH	HEIGHT		
STN-W-30-1/2	3,0		3	245	485	560	17	Stainless Touch   STN-W 2.0
STN-W-35-1/2	3,5		3,5	245	485	560	17	Stainless Touch   STN-W 2.0
STN-W-40-1/2	4,0		4	245	485	560	17	Stainless Touch   STN-W 2.0
STN-W-45-1/2	4,5	2	5	245	485	560	17	Stainless Touch   STN-W 2.0
STN-W-50-1/2	5,0	2	6	245	485	560	17	Stainless Touch   STN-W 2.0

## 2 Heating Elements

STEAM GENERATOR MODEL	kW	STEAM ROOM (m³)		SIZE OF STEAM GENERATOR (mm)			WEIGHT (kg)	CONTROL
		MIN	MAX	LENGTH	WIDTH	HEIGHT		
STN-30-1/2	3,0		3	185	485	560	17	Touch   Classic   Classic 2.0
STN-35-1/2	3,5		3,5	185	485	560	17	Touch   Classic   Classic 2.0
STN-40-1/2	4,0		4	185	485	560	17	Touch   Classic   Classic 2.0
STN-45-1/2	4,5	2	5	185	485	560	17	Touch   Classic   Classic 2.0
STN-50-1/2	5,0	2	6	185	485	560	17	Touch   Classic   Classic 2.0

## 3 Heating Elements

STEAM GENERATOR MODEL	kW	STEAM ROOM (m³)		SIZE OF STEAM GENERATOR (mm)			WEIGHT (kg)	CONTROL
		MIN	MAX	LENGTH	WIDTH	HEIGHT		
STN-W-45-3	4,5	2	5	280	485	560	19	Stainless Touch   STN-W 2.0
STN-W-45-C1/3	4,5	2	5	280	485	560	19	Stainless Touch   STN-W 2.0
STN-W-60-3	6,0	3	10	280	485	560	19	Stainless Touch   STN-W 2.0
STN-W-60-C1/3	6,0	3	10	280	485	560	19	Stainless Touch   STN-W 2.0
STN-W-75-3	7,5	4	15	280	485	560	19	Stainless Touch   STN-W 2.0
STN-W-75-C1/3	7,5	4	15	280	485	560	19	Stainless Touch   STN-W 2.0

## 3 Heating Elements

STEAM GENERATOR MODEL	kW	STEAM ROOM (m³)		SIZE OF STEAM GENERATOR (mm)			WEIGHT (kg)	CONTROL
		MIN	MAX	LENGTH	WIDTH	HEIGHT		
STN-45-3	4,5	2	5	220	485	560	19	Touch   Classic   Classic 2.0
STN-45-C1/3	4,5	2	5	220	485	560	19	Touch   Classic   Classic 2.0
STN-60-3	6,0	3	10	220	485	560	19	Touch   Classic   Classic 2.0
STN-60-C1/3	6,0	3	10	220	485	560	19	Touch   Classic   Classic 2.0
STN-75-3	7,5	4	15	220	485	560	19	Touch   Classic   Classic 2.0
STN-75-C1/3	7,5	4	15	220	485	560	19	Touch   Classic   Classic 2.0

## 6 Heating Elements

STEAM GENERATOR MODEL	kW	STEAM ROOM (m³)		SIZE OF STEAM GENERATOR (mm)			WEIGHT (kg)	CONTROL
		MIN	MAX	LENGTH	WIDTH	HEIGHT		
STN-W-90-3	9,0	8	20	375	485	560	23	Stainless Touch   STN-W 2.0
STN-W-90-C1/3	9,0	8	20	375	485	560	23	Stainless Touch   STN-W 2.0
STN-W-120-3	12,0	15	28	375	485	560	23	Stainless Touch   STN-W 2.0
STN-W-150-3	15,0	22	40	375	485	560	23	Stainless Touch   STN-W 2.0

## 6 Heating Elements

STEAM GENERATOR MODEL	kW	STEAM ROOM (m³)		SIZE OF STEAM GENERATOR (mm)			WEIGHT (kg)	CONTROL
		MIN	MAX	LENGTH	WIDTH	HEIGHT		
STN-90-3	9,0	8	20	310	485	560	23	Touch   Classic   Classic 2.0
STN-90-C1/3	9,0	8	20	310	485	560	23	Touch   Classic   Classic 2.0
STN-120-3	12,0	15	28	310	485	560	23	Touch   Classic   Classic 2.0
STN-150-3	15,0	22	40	310	485	560	23	Touch   Classic   Classic 2.0

## INCLUDED IN THE PACKAGE



Electronics Compartment  
(Included for STN-S models only)



Autodrain  
(Included for STN-S, STN-W, and STN models)



Aroma, Fan and Dimmer Functions  
(Optional features for STN models)



Temperature sensor with wire and sensor holder



Steam Head  
(for 9kW models and up, two heads are included)



7,5m RJ12 Cable  
7,5m RJ10 Cable

# STE Steam Generator

Reliable and effortless to use, the **STE** steam generator is designed for residential environments. It is also simple to operate; just switch on the control and adjust the temperature knob. The stainless-steel construction ensures long-lasting durability and resistance to corrosion.

The STE can be oriented for connections on either side for easy installation in any layout. For greater power capacity, up to five units can be linked in series to deliver a maximum output of 75,0kW, all managed from a single SAWO control.

! For more technical information, see page 99.



## 2 Heating Elements

- » Power range: 3,0 - 5,0kW
- » Steam output: up to 6,7kg/hr
- » Can be installed in either side
- » Own pipe for overpressure valve
- » Steam head included
- » Available controls: STE 2.0



## 3 Heating Elements

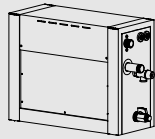
- » Power range: 4,5 - 7,5kW
- » Steam output: up to 7,5kg/hr
- » Can be installed in either side
- » Own pipe for overpressure valve
- » Steam head included
- » Available controls: STE 2.0



## 6 Heating Elements

- » Power range: 9,0 - 15,0kW
- » Steam output: up to 20kg/hr
- » Can be installed in either side
- » Own pipe for overpressure valve
- » 2 Steam heads included
- » Available controls: STE 2.0

# Technical DATA



STE Steam Generator

## 2 Heating Elements

STEAM GENERATOR MODEL	kW	STEAM ROOM (m³)		SIZE OF STEAM GENERATOR (mm)			WEIGHT (kg)	CONTROL
		MIN	MAX	LENGTH	WIDTH	HEIGHT		
STE-30-1/2	3,0		3	205	465	555	16,5	STE Basic   Advance
STE-35-1/2	3,5		3,5	205	465	555	16,5	STE Basic   Advance
STE-40-1/2	4,0		4	205	465	555	16,5	STE Basic   Advance
STE-45-1/2	4,5	2	5	205	465	555	16,5	STE Basic   Advance
STE-50-1/2	5,0	2	6	205	465	555	16,5	STE Basic   Advance

## 3 Heating Elements

STEAM GENERATOR MODEL	kW	STEAM ROOM (m³)		SIZE OF STEAM GENERATOR (mm)			WEIGHT (kg)	CONTROL
		MIN	MAX	LENGTH	WIDTH	HEIGHT		
STE-45-C1/3	4,5	2	5	250	370	555	18	STE Basic   Advance
STE-60-C1/3	6,0	3	10	250	370	555	18	STE Basic   Advance
STE-75-C1/3	7,5	4	15	250	370	555	18	STE Basic   Advance

## 6 Heating Elements

STEAM GENERATOR MODEL	kW	STEAM ROOM (m³)		SIZE OF STEAM GENERATOR (mm)			WEIGHT (kg)	CONTROL
		MIN	MAX	LENGTH	WIDTH	HEIGHT		
STE-90-C1/3	9,0	8	20	335	465	555	23	STE Basic   Advance
STE-120-3	12,0	15	28	335	465	555	23	STE Basic   Advance
STE-150-3	15,0	22	40	335	465	555	23	STE Basic   Advance

## INCLUDED IN THE PACKAGE



Temperature sensor with wire and sensor holder



Steam Head (for 9kW models and up, two heads are included)



7,5m RJ12 Cable  
7,5m RJ10 Cable

# Steam Generator Series Connection

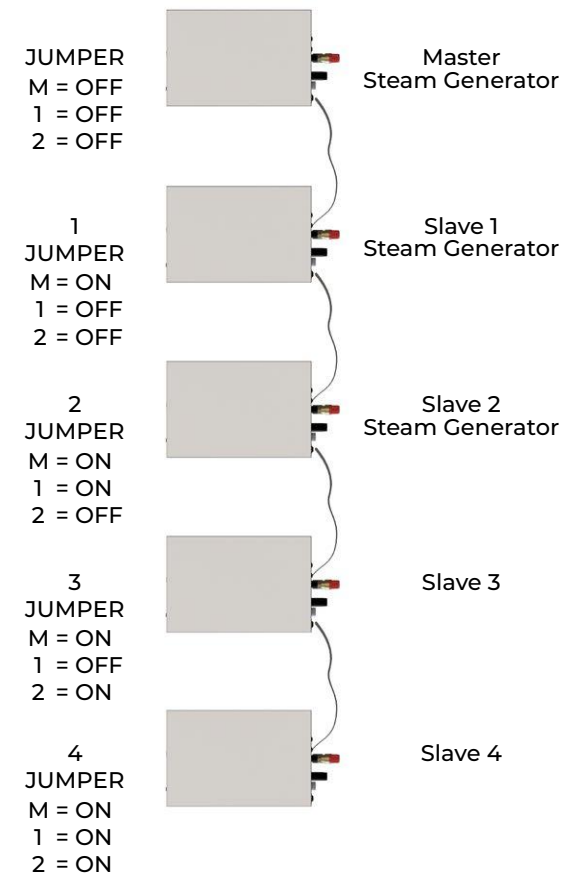


Classic 2.0

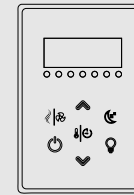


Stainless Steel Touch

Steam Generator Control



# Steam Generator Controls



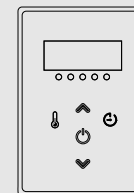
## Steam 2.0 (STP-INFACE-V2)

- » Thick stainless steel casing
- » LED digital display
- » Scent pump, light dimmer and fan
- » 7,5 meters RJ12 cable with connectors included



## Steam Stainless Steel Touch (STP-INFACE-SST)

- » Thick stainless steel casing
- » Animated buttons
- » Compatible for automated household component
- » Emergency alarm provision
- » Standby mode to keep water warm until next session
- » Displays error code
- » Autodrain function
- » Key lock
- » Easy mode available
- » Date and time setup
- » Kilowatt usage counter
- » Decalcifying function
- » Heating Element fail detect
- » Blackout memory
- » Celsius or Fahrenheit temperature unit
- » Autolight
- » Autofan
- » LCD contrast adjustment
- » Scent pump, light dimmer and fan
- » Temperature sensor with wire
- » Optional interface holder
- » 7,5 meters RJ12 cable with connectors included



## Steam STE (STE-INFACE-V2)

- » Thick stainless steel casing
- » LED digital display
- » 7,5 meters RJ12 cable with connectors included

OPTIONAL ITEMS



**Demand Button**  
code: STP-BTN-2.0



**Aroma Oil**  
code: ARO-EUCA250  
ARO-EUCA500  
ARO-EUCA4L



**Decalcifying Liquid**  
code: DECAL-250  
DECAL-500  
DECAL-4L



**Modern Aroma Pump**  
code: STN-PUMP



**Steam Door**  
code: ST-746-L | R | I  
size: 790 x 1890mm



**Steam Door**  
code: ST-749-L | R | I  
size: 900 x 2100mm



**Aroma Pump**  
code: STP-PUMP



**Installation Stand for STN-W**  
code: STN-W-STAND2  
STN-W-STAND3  
STN-W-STAND6

» For easier installation of STN-W steam generator



**Venturi Pipe L-shape**  
code: ST-LPIPE



**Venturi Pipe Straight**  
code: ST-PIPE

**Venturi Pipe**

- » Generate milder and softer steam
- » Create more steam clouds
- » Prevents hissing noise
- » Including steam head to spread the steam outburst
- » Thick stainless steel metal





SAuna World

 [sawo.com](http://sawo.com)

   [SAWOSauna](#)

 [SAWO Inc.](#)