



airmaster

Quality You Can Feel

VENTILATION

COMMERCIAL PRODUCT WARRANTY

Airmaster® Fan Company warrants to the original user that the equipment shipped will be the kind and quality described in the specifications and will be free from defects in material and workmanship under normal use and service.

Airmaster® Fan Company will rectify defects in material or workmanship within one year from the date of shipment by the factory, provided the Company receives immediate written notice of such defects and such claims are substantiated to its satisfaction. Correction of such defects by repair or replacement at company's option, F.O.B. the Company's factory, shall constitute the sole obligation under this warranty.

This warranty does not include accessories or any part of the unit that has been subjected to misuse, neglect, accident, or damage caused by flood, fire, or an act of God. UNDER NO CIRCUMSTANCES IS AIRMASTER® liable for labor costs incurred in installation or removal for repairs. UNDER NO CIRCUMSTANCES IS AIRMASTER® liable for incidental or consequential damages due to failure to meet the conditions of any warranty. No liability of any nature is assumed by the Company for failure to make delivery due to any act or condition beyond its reasonable control.

To initiate a warranty claim or report a product-related concern, contact rma@airmasterfan.com and include your order number along with a detailed description of the issue.



WARNING: This product can expose you to chemicals known to the State of California to cause cancer and reproductive harm. For additional information, visit www.P65Warnings.ca.gov. This warning applies to all products included in this catalog.



airflow
STARTS WITH



TOTAL CLIMATE CONTROL

See our complete line of air flow solutions, including ventilation fans, circulators, and heaters, at

WWW.AIRMASTERFAN.COM



VENTILATION SOLUTIONS BUILT TO PERFORM

Airmaster delivers ventilation solutions engineered for reliable, repeatable performance. This catalog is designed to guide selection, from ready-to-install ventilation units to fully integrated system solutions tailored to specific application requirements. Organized for clarity and efficiency, it reflects Airmaster's commitment to disciplined engineering, U.S.-based manufacturing, and dependable airflow solutions for a wide range of applications.



TWO PATHS. ONE PROVEN PARTNER.

01 READY-TO-INSTALL VENTILATION UNITS

Pre-engineered, self-contained fan assemblies designed for straightforward installation through a wall or roof opening.

02 ENGINEERED SYSTEM SOLUTIONS

Custom-configured systems leveraging Airmaster's full portfolio of over 150 components to meet complex airflow, control, and application requirements.

CUTTING EDGE TECHNOLOGY,
140 YEARS IN THE MAKING

FRESH AIR BETTER FLOW SMARTER SPACES

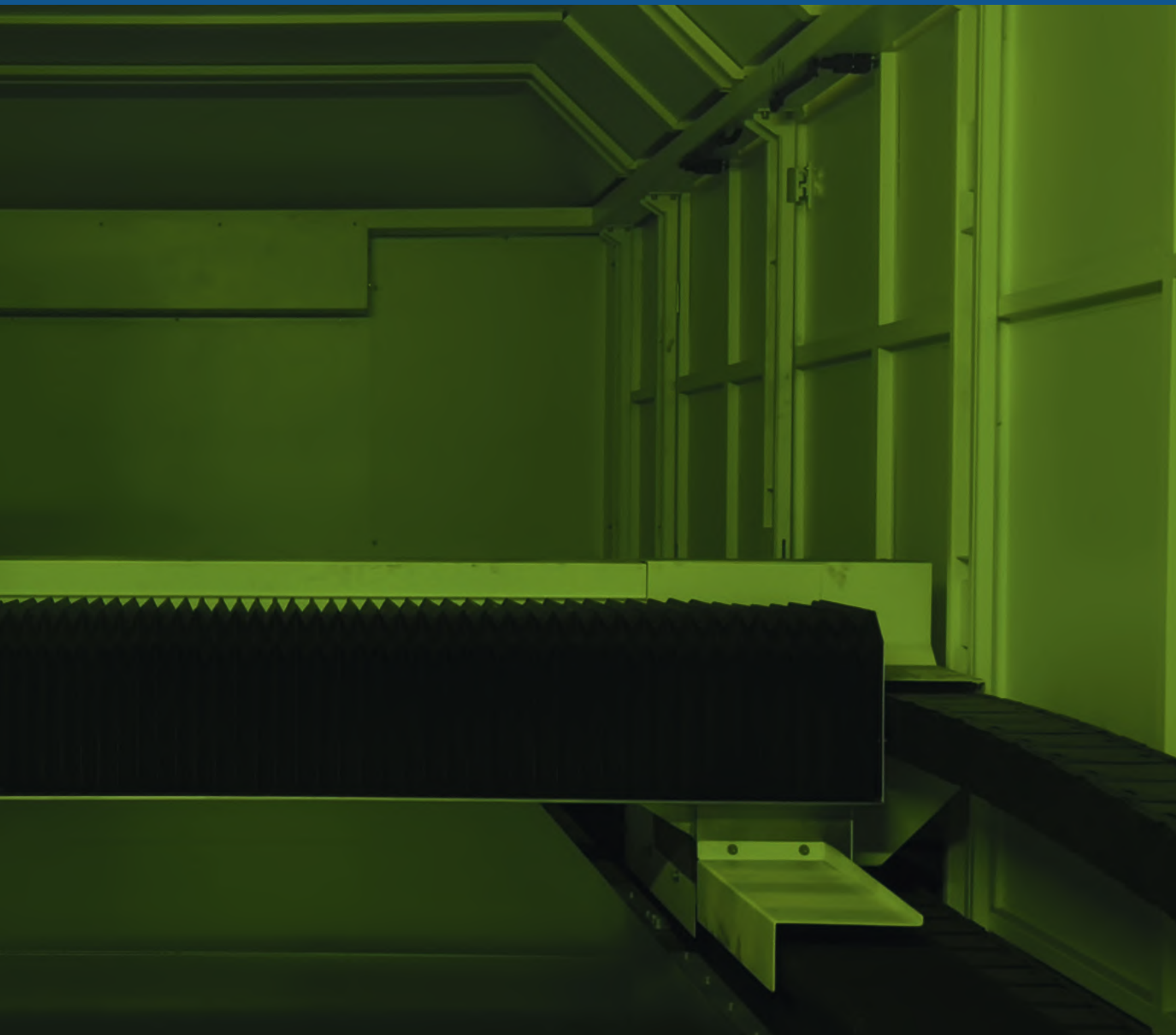
A commitment to durability is central to Airmaster's legacy - a legacy with roots established well over a century ago. The products built here are far more than fans; they're investments. From concept and design through installation support, Airmaster is your single, accountable partner, removing complexity and delivering the right ventilation solution every time.

In a time when so many products are built fast and cheap, Airmaster has doubled down on durability. Real metal, not plastic. Components assembled in Michigan by a team of people who are watching closely to ensure the product carries the name with integrity.

Because that's what Airmaster is built on, a century of making products that last. Not figuratively. Literally. Fans that have been in use for decades. Equipment that shows up in facilities long after its install date, still doing its job. And that's no accident.



AIRMASTER



11

READY-TO-INSTALL VENTILATION UNITS

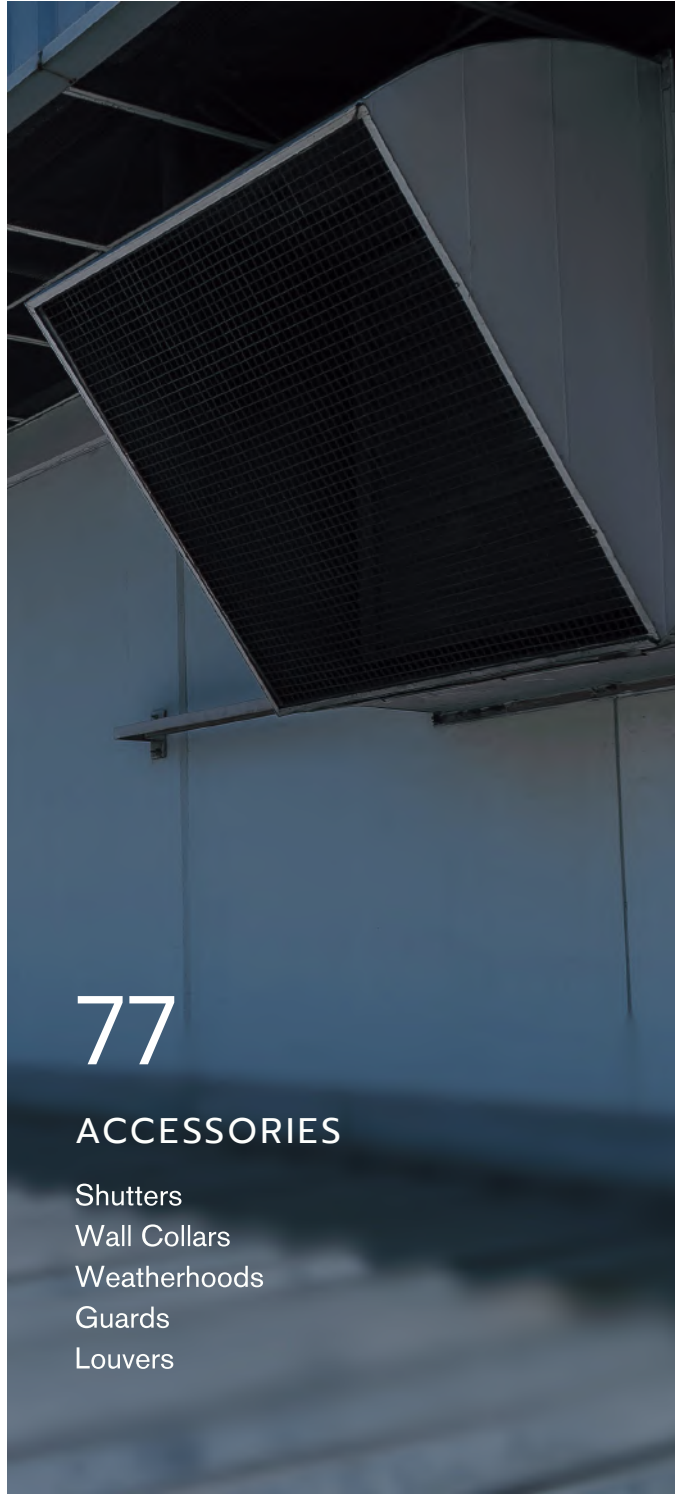
Pre-engineered, self-contained fan assemblies designed for straightforward installation through a wall or roof opening.



77

ACCESSORIES

- Shutters
- Wall Collars
- Weatherhoods
- Guards
- Louvers



96

ENGINEERED SYSTEM SOLUTIONS

Custom-configured systems leveraging Airmaster's full portfolio of over 150 components to meet complex airflow, control, and application requirements.



TABLE OF CONTENTS

TERMINOLOGY	09
-------------	----

READY-TO-INSTALL UNITS

WALL-MOUNTED

DIRECT DRIVE MODELS	12
---------------------	----

BELT DRIVE MODELS	24
-------------------	----

ROOF-MOUNTED

UPBLAST	46
---------	----

DIRECT DRIVE PROPELLER	50
------------------------	----

CENTRIFUGAL	52
-------------	----

GRAVITY RELIEF VENTS	56
----------------------	----

SPECIALTY VENTILATION	58
-----------------------	----

ACCESSORIES	77
-------------	----

SYSTEM SOLUTIONS	96
------------------	----

SUPPORT & QUOTING INFORMATION	101
-------------------------------	-----

101

SUPPORT & QUOTING
INFORMATION

QUALITY YOU CAN FEEL

AIRMASTER'S LEGACY

Airmaster's history originates in 1886 as the first electrical fan was patented by the Diehl Fan Company. During the next 100 years, Airmaster acquired the Chelsea, Brundage, and Power Line Fan companies and marketed each brand separately. To streamline operations, sales and marketing of circulation and ventilation products were consolidated in 2002 to one name, Airmaster Fan Company. Airmaster has always been a family owned business and we do not answer to a corporation on Wall Street, instead we answer to our customers on Main Street.

THE MAICO GROUP

In 2013, Airmaster was purchased by another family business from Germany, the Maico group.

The Maico group is a globally recognized leader in ventilation products and they are known for their product quality, reliability, and reputation. Maico also brings additional new marketing opportunity, fan innovation, and product expertise to Airmaster. In 2017, Airmaster moved its headquarters and manufacturing to a 120,000-square-foot facility located on S. Meridian Road in Clarklake, Michigan. The new location allowed Airmaster to streamline its production processes as well as allow for an overall more efficient layout.

A VISION FOR GROWTH

Airmaster Fan Company enters its next chapter with renewed momentum and a clear vision for the future. With the appointment of General Manager Don Lincoln, MS, MBA, the company is building on a strong legacy while embracing new opportunities for growth, innovation, and expanded capabilities.

This new phase includes strategic investments in people, technology, and product development that are strengthening Airmaster's ability

to serve customers with even greater performance and reliability.

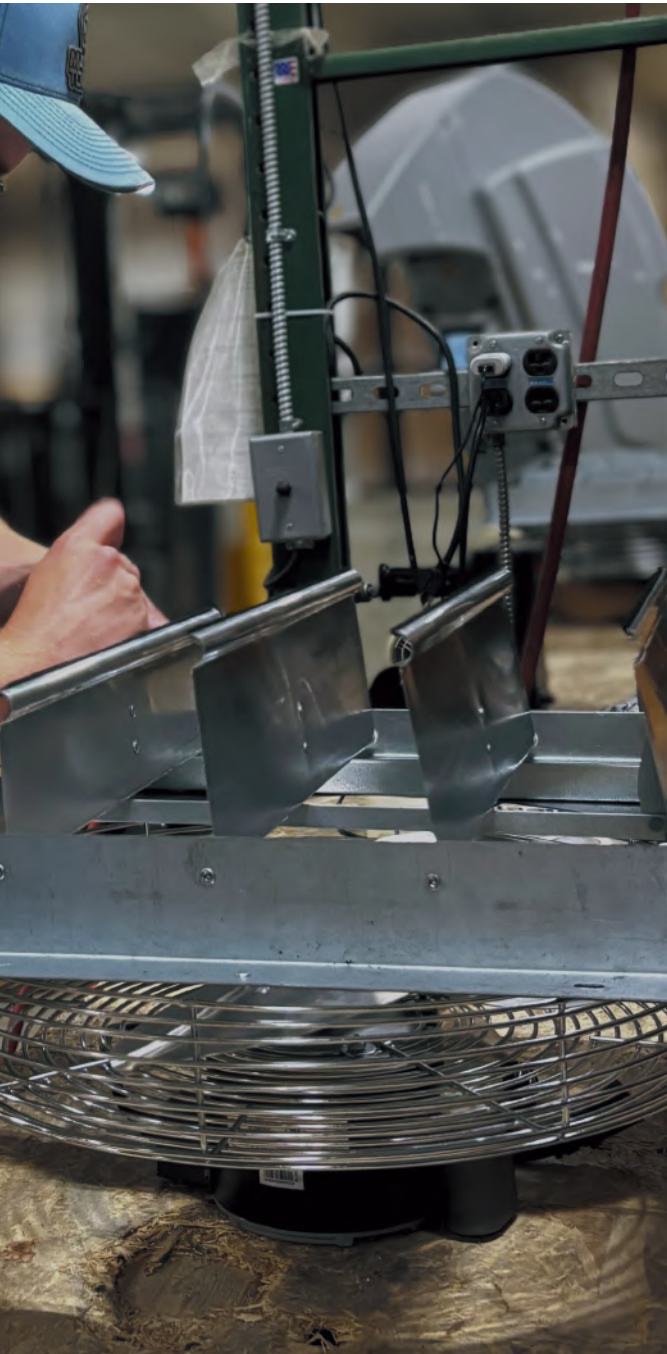
The same craftsmanship and manufacturing discipline that built the company's reputation remain at the core of everything we do.

At the same time, the future of ventilation is evolving. Advancements in smart technologies, integrated controls, and intelligent system design are opening new possibilities for how air movement products contribute to building performance.

Airmaster is actively exploring these innovations to ensure our products continue to meet the changing needs of modern facilities and industrial environments.

Guided by experienced leadership and powered by the expertise of our team, Airmaster is well positioned to grow, innovate, and continue delivering the dependable ventilation solutions our customers have been relying on for more than 100 years.





TERMINOLOGY

Air Change: Expressed in “Minutes per Change,” it’s the time required to complete an air change within a given space

CFM: The Cubic Feet per Minute of air moved by a fan

Circulation: Moving air within an area

CPH: Changes of Air Per Hour

FPM: Feet Per Minute. The distance air travels in one minute

HP/Horse Power: The mechanical measurement of a motor’s power

MPC: Minutes Per air Change

RPM: Revolutions Per Minute

SP/Static Pressure: The resistance to flow in any air moving system. Fans are rated CFM at various static pressure

TEAO: Totally Enclosed Air Over

TENV: Totally Enclosed Non Vented

Velocity: The speed, expressed in FPM (feet per minute) of air

XP: Explosion Proof

FAN TYPES

Direct Drive: A fan configuration where the impeller is mounted directly to the motor shaft, providing compact design, high mechanical efficiency, and minimal maintenance.

Belt Drive: A fan system that uses belts and pulleys to transfer power from the motor to the impeller, allowing adjustable speeds and flexible airflow performance. Less noise at lower CFM & RPM.

Exhaust Fans: Designed to remove contaminated, heated, or moisture-laden air from a space to create negative pressure and improve air quality.

Intake Fans: Engineered to introduce fresh outside air into a building, creating positive pressure and supporting balanced ventilation.

Wall-Mount: Designed for installation through a vertical wall to provide direct ventilation between interior and exterior spaces.

Roof-Mount: A fan installed on the roof to discharge or supply air vertically while protecting the building envelope from weather intrusion.

AMF POWDER COATING

Our powder coat finish is engineered as a performance grade protective system. We utilize a premium, high-durability powder coat formulation specifically selected for its superior resistance to abrasion, corrosion, humidity exposure, and chemical attack. The result is a dense, uniform finish that forms a tougher protective barrier than conventional liquid coatings.

Unlike wet paint systems, which rely on solvent evaporation and can produce thinner, less consistent film builds, our powder coat process creates a thermally bonded finish that delivers exceptional adhesion and long-term surface integrity. This translates to improved scratch resistance during handling and installation, enhanced protection in corrosive or high-moisture environments, and greater overall lifecycle durability.

The difference is more than aesthetic. It’s a finish designed to withstand demanding industrial conditions while maintaining color retention and surface quality over time, protecting both the equipment and your investment.



AMERICAN MANUFACTURING

At Airmaster, American manufacturing is more than a principle—it is an operational advantage. Although a limited number of strategic components are globally sourced, our products are engineered, assembled, tested, and produced in our 120,000-square-foot Clarklake, Michigan, facility, using domestic materials wherever possible.

By centralizing production and engineering validation, we maintain tighter quality control and greater security of supply. This localized manufacturing model allows us to respond quickly, control costs, and protect product integrity. Most importantly, it enables one of the fastest time-to-install advantages in the industry. With typical lead times less than half the average, Airmaster products arrive ready when others are still waiting.

Proudly manufacturing in Michigan, we invite you to visit our Clarklake facility to meet our skilled people, see our disciplined processes, and experience the reliable outcomes that define the *Airmaster difference*.





READY-TO-INSTALL VENTILATION UNITS

Factory-built, self-contained units designed for efficient installation through wall or roof openings. Available based on mounting location, drive type, and fan design, making it easy to specify the right solution for any airflow requirement.

WALL-MOUNTED

DIRECT DRIVE MODELS 12

BELT DRIVE MODELS 24

ROOF-MOUNTED

UPBLAST 46

DIRECT DRIVE PROPELLER 50

CENTRIFUGAL 52

GRAVITY RELIEF VENTS 56

SPECIALTY VENTILATION

TUBE AXIAL 58

IN-LINE CENTRIFUGAL
DUCT 74

LOW PRESSURE SHUTTER FAN

EPRSM MODELS 1 Year Warranty

Engineered to deliver reliable, energy-efficient airflow in large-volume spaces where consistent ventilation is essential. Designed for low-static-pressure environments, these airflow-actuated shutters open automatically when the fan is operating and close when airflow stops—requiring no motor or chain actuation. They provide effective air exchange while minimizing operating costs and maintenance requirements. Common applications include manufacturing facilities, warehouses, distribution centers, livestock buildings, greenhouses, and other general-purpose ventilation settings where durability, efficiency, and straightforward installation are critical.



Heavy-Duty Construction



Ideal for Ag Applications



OSHA Approved Rear Guard

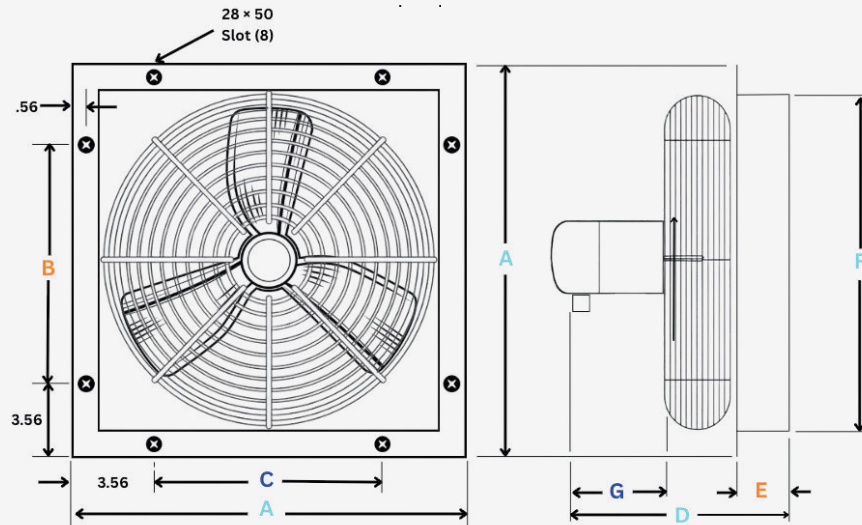


EDP No.	Model No.	Prop Dia.	Panel Size (Square)	Wall Opening (Square)	0" S.P. CFM	½" S.P. CFM	Watts	Motor HP	Volt	F.L. Amp	Max. Sones @ 5'	Ship Wt.
23000	EPRSM7	7"	11 ⅛"	8 ½"	121	60	--	1/24	115	14	4.8	10
23001	EPRSM10	10"	13 ⅜"	10 ½"	611	318	56	1/24	115	14	6.6	10
23011*	EPRSM10	10"	13 ⅜"	11"	496	206	56	1/24	115	0.60	6.6	10
23015*	EPRSM12	12"	15 ⅜"	12 ½"	956	856	138	1/24	115	1.26	7.6	12
23002	EPRSM12	12"	15 ⅜"	13"	815	490	138	1/24	115	14	7.6	12
23012*	EPRSM16	16"	19 ⅜"	16 ½"	1502	1151	142	1/15	115	1.37	8.0	20
23003	EPRSM16	16"	19 ⅜"	17"	1216	765	142	1/15	115	19	8.0	20
23013*	EPRSM18	18"	21 ⅜"	19"	1716	1160	145	1/15	115	1.27	8.4	25
23004	EPRSM18	18"	21 ⅜"	18 ½"	1877	752	145	1/15	115	1.3	8.4	25
23007*	EPRSM20	20"	23 ⅜"	20 ½"	2235	920	150	1/15	115	14	9.0	29
23016*	EPRSM20	20"	23 ⅜"	20 ½"	1867	1168	150	1/15	115	1.36	9.0	29
23005**	EPRSM24	24"	27 ⅜"	25"	3214	2015	--	1/4	120	3.5	11.7	48
23008**	EPRSM30	30"	33 ⅜"	30 ½"	4970	3510	--	1/4	120	3.5	12.0	54

* Models include Plug and Cord. **23005 & 23008 (3-Speed with Pull Chain, Plug, and Cord Included)



DIMENSIONS



Model	A	B	C	D	E	F	G
EPRSM7	11.13	4	4	8.06	2.38	8	3.00
EPRSM10	13.13	6	6	8.06	2.38	10	3.00
EPRSM12	15.13	8	8	8.06	2.38	12	3.00
EPRSM16	19.13	12	12	9.06	2.38	16	4.00
EPRSM18	21.13	14	14	11.00	2.50	18	4.75
EPRSM20	23.13	16	16	11.00	2.50	20	4.75
EPRSM24	27.13	20	20	12.65	3.00	24	5.00
EPRSM30	33.13	26	26	12.65	3.00	30	5.00



LOW PRESSURE ALL-PURPOSE FAN

EPR MODELS 1 Year Warranty

Preferred for general ventilation where large volumes of air must be moved with minimal resistance. Common applications include manufacturing plants, warehouses, distribution centers, equipment rooms, agricultural buildings, maintenance bays, and general exhaust or makeup air in commercial and light industrial facilities. These fans are often used for heat removal, fresh air exchange, and odor control where ducting is short or unrestricted.



Totally Enclosed,
2-Speed, 115V Motor



Low Operating
Cost



Commercial-Duty
Construction



High-Efficiency

ACCESSORIES

EDP No.	Catalog No.	Description
22982	MTR-556 SP	EASR Exhaust Motor Kit (for 9" - 36" Wall Shutters)
80111	Manual Chain Operator	Manual Chain Operator - 1 Panel Exhaust Shutter (for 10" - 36" Supply Shutters)
22900	MK5047-B	WC Supply Duty Motor Kit (for 9" - 36" Supply Shutters)
24852*	Switch	Two Speed Switch for Fan Only
85388*	Switch	Two Speed Switch for Fan & Supply Shutter
24855**	485210	Variable Speed Control
24820	T-1	Thermostat (115V only)

EDP No.	Catalog No.	Prop Dia.	HP	Fan RPM	Capacity (CFM) @ "SP in. W.G.						Max. Sones @ 5'	Ship Wt.
					0"	.05"	.10"	.125"	.02"	.250"		
24100**	10EPR16	10"	1/30	1550	630	469	418	394	309	234	5.6	12
24110*	12EPR16	12"	1/30	1550	897	843	754	689	503	378	6.0	14
24120**	16EPR16	16"	1/9	1050	1881	1766	1626	1540	1169	814	8.8	24
24130*	18EPR16	18"	1/9	1050	2504	2345	2149	2035	1553	884	9.5	27

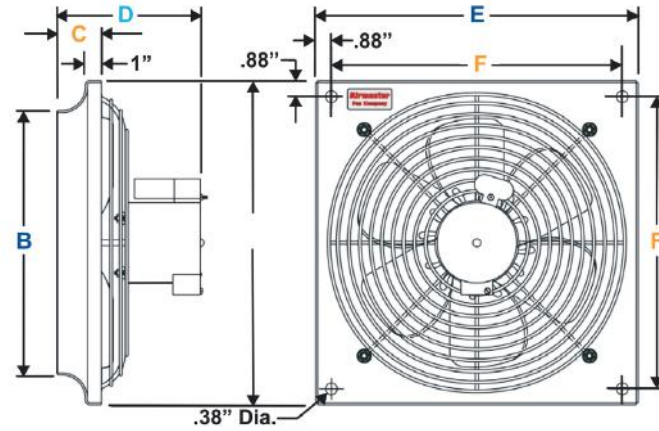
* / ** See Accessories

Note: For Supply Duty add "S" Prefix to EDP Number and use the list price divided by 0.80

For Motorized Shutters Add Motor Kit. Specify voltage needed when ordering. Units are single-phase operation. Specify voltage needed when ordering. If Supply Shutter is remote from fan, it must be motorized.



DIMENSIONS



Prop Dia.	B	C	D	E	F
10"	10.25	1.5	6	14	12.25
12"	12.25	1.5	8	16	14.25
16"	16.5	1.75	9.5	20	18.25
18"	18.5	1.75	10	22	20.25

EPR RECOMMENDED OPTIONAL ACCESSORIES

Used with Catalog No.	Wall Collar		Exhaust Shutter				Supply Shutter				Safety Guards Prop Side (Front)		
	EDP No.	Catalog	Used with Wall Collar		Used without Wall Collar		Used with Wall Collar		Used without Wall Collar		EDP No.	Catalog	Ship Wt.
			EDP No.	Catalog	EDP No.	Catalog	EDP No.	Catalog	EDP No.	Catalog			
10EPR16	06883	WS10	22970	EASRMF10	22971	EASRMF12	22754	WC9	22755	WC10	23060	EPR-10G	3
12EPR16	06884	WS12	22971	EASRMF12	22972	EASRMF14	22755	WC10	22611	WC12	23070	EPR-12G	4
16EPR16	06885	WS16E	22972	EASRMF14	22973	EASRMF18	22611	WC12	22621	WC16	23080	EPR-16G	5
18EPR16	06886	WS18E	22973	EASRMF18	22974	EASRMF20	22621	WC16	22631	WC18	23090	EPR-18G	7

Note: When a WRE or WC shutter is used for exhaust or supply and mounted remotely from the fan, a WS Wall Collar is not needed. The shutter is installed directly on the wall, and a Motor Actuator Kit must be utilized.

EXPLOSION-PROOF DIRECT DRIVE

EXG MODELS 1 Year Warranty

Preferred for use in hazardous or classified environments where flammable gases, vapors, or dust may be present. Common applications include chemical processing facilities, paint booths, solvent handling areas, battery charging rooms, wastewater treatment plants, refineries, pharmaceutical manufacturing, and grain handling operations. These fans are designed to eliminate ignition risk while providing continuous exhaust or dilution airflow.

- 12" and 16" sizes - Explosion Proof Motors Class I, Group D & Class II Groups F & G
- 18" and 24" sizes - Explosion Proof Motors Class I, Group D & Class II Groups E, F & G



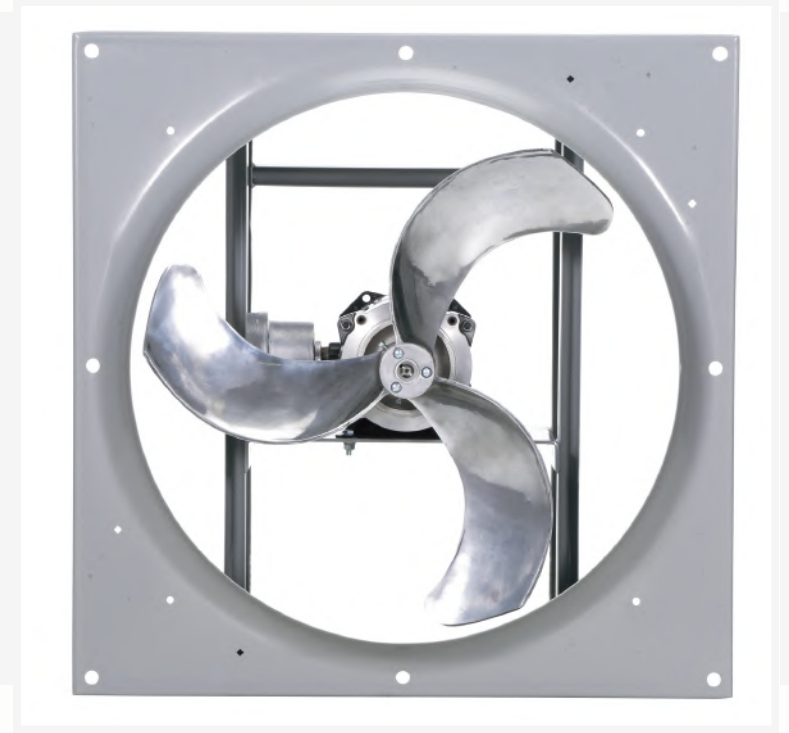
Explosion-Proof Construction



Spark-Resistant Aluminum Blades

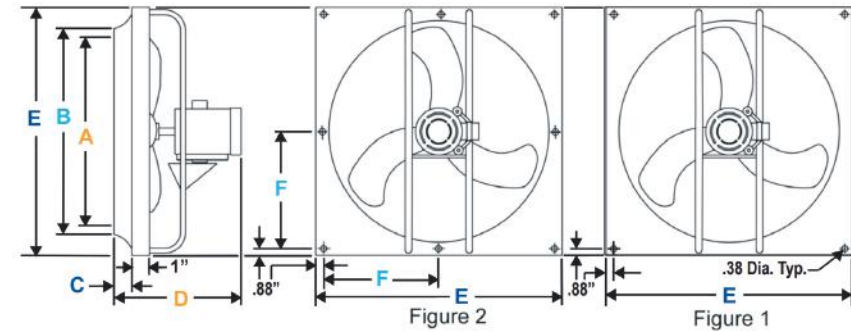


Durable Steel Housing



EDP No.	Catalog No.	Prop Dia.	HP	Fan RPM	Capacity (CFM) @ "SP in. W.G.			Max. Sones @ 5'	Ship Wt.	Motor Voltage Key	
					0"	½"	¾"			1 Phase	115/230V
24350	12EXG16	12"	¼	1725	970	900	800	6.7	25	3 Phase	230/460V
24360	16EXG16	16"	¼	1725	2950	2200	1900	17.6	40		
24371	18EXG16A	18"	¼	1140	2600	2200	1000	10.5	62		
24391	18EBX836A	18"							60		
24381	24EXG16A	24"	¼	1140	5100	4780	3550	20.6	75		
24401	24EBX836A	24"							90		

Supply Duty are custom orders: non-cancellable, and non-returnable once in production.



Prop Dia.	See Figure	A (Dia.)	B	C	D	E	F	H (Dia.)	Holes
12"	1	12	12.5	1.625	10.625	16	--	.38	4
16"	1	16	16.5	1.875	13.75	22	--	.38	4
18"	1	18	18.5	2	15.5	24	--	.38	4
24"	2	24	24.5	2.5	15.5	30	14.125	.38	8

EXG RECOMMENDED OPTIONAL ACCESSORIES

Prop Dia.	Wall Collar		Exhaust Shutter				Supply Shutter				Safety Guards			
	EDP No.	Cat No.	Used with Wall Collar		Used without Wall Collar		Used with Wall Collar		Used without Wall Collar		Prop Side (Front)		Motor Side (Rear)	
			EDP No.	Cat No.	EDP No.	Cat No.	EDP No.	Cat No.	EDP No.	Cat No.	EDP No.	Cat No.	EDP No.	Cat No.
12"	06884	WS12	22971	EASRMF12	22972	EASRMF14	22755	WC10	22611	WC12	23660	12FG	23605	12RG
16"	06886	WS18E	22973	EASRMF18	22973	EASRMF18	22621	WC16	22621	WC16	23665	16FG	23610	16RG
18"	06894	WS18	22974	EASRMF20	22974	EASRMF20	22631	WC18	22631	WC18	23670	18FG	23615	18RG
24"	06887	WS24	22975	EASRMF26	22975	EASRMF26	22641	WC24	22641	WC24	23675	24FG	23620	24RG

Notes: When an EASR or WC shutter is used for exhaust or supply and mounted remotely from the fan, a WS Wall Collar is not needed. The shutter is installed directly on a wall, and a Motor Actuator Kit must be utilized. Weatherhoods are available for the 24" units. WS Wall Collars are shipped knocked down. WC Supply Shutters are not weather-resistant. It is recommended that the WC be used with a weatherhood. See WS Wall Collar Dimensions & Weatherhoods. See EASR and WC shutter selection/installation information, ship weights, and cautions.



30" & 36"



18" & 24"

LOW-PRESSURE INDUSTRIAL DUTY

PD MODELS 1 Year Warranty

Feel confident knowing your facility stays ventilated, safe, and comfortable even in demanding conditions. These fans are designed for factories, mills, foundries, processing plants, composting operations, recycling facilities, and livestock buildings. They provide high airflow with heavy-duty construction for environments with dust, moisture, vibration, or temperature extremes.



Totally Enclosed, Ball-Bearing Motor



4 Propeller Sizes Available



Heavy-Duty Construction

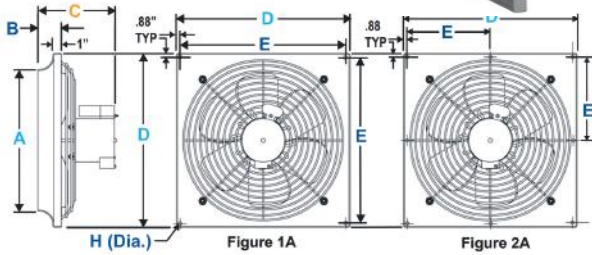


High-Efficiency

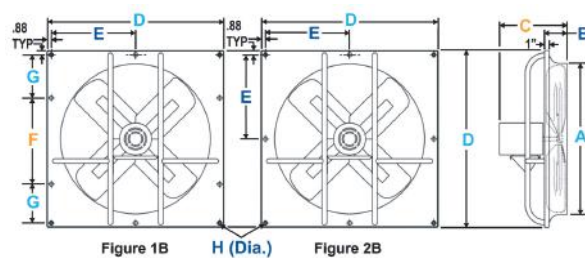
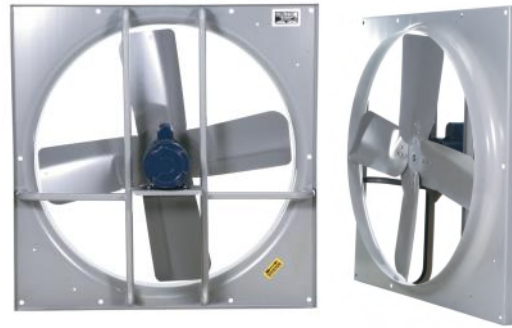
EDP No.	Catalog No.	Prop Dia.	HP	Fan RPM	Capacity (CFM) @ "SP in. W.G.				Max. Sones @ 5'	Ship Wt.	Motor Voltage Key		
					0"	1/10"	1/8"	1/4"			1 Phase	2 Speed	115V
24201	PD18T-D3A	18"	1/6	1110	2680	2414	2332	1789	12.0	34	3 Phase	1 Speed	230/460V
24211*	PD24T-E3A*	24"	1/2	870	4860	4360	4270	2800	11.6	56			
24260	PD24T-E8A	24"	1/2	825	4610	4110	4020	2550	11.6	70			
24221	PD30T-G3A	30"	1/2	845	7380	6850	6750	5500	16.7	73			
24270	PD30T-G8	30"	1/2	845	7380	6850	6750	5500	16.7	70			
24231	PD36R-G3A	36"	1/2	840	8664	7814	7545	5916	20.5	95			
24280	PD36R-G8	36"	1/2	840	8664	7814	7545	5916	20.5	95			

* = Not available as Supply Duty. Note: For Supply Duty add "S" Prefix to EDP Number and use the list price divided by 0.80.

18" & 24"



30" & 36"



Prop Dia.	See Figure	A	B	C	D	E	F	G	H	# OF HOLES
18"	1A	18.5	3	9.375	24	22.25	--	--	.38	4
24"	2A	24.5	3.5	15.5	30	14.125	--	--	.62	8
30"	2B	30.5	4.625	13.75	36	17.125	--	--	.62	8
36"	1B	36.5	4.75	12.25	42	20.125	18.25	11	.62	10

PD RECOMMENDED OPTIONAL ACCESSORIES

Prop Dia.	Exhaust Shutter		WS Wall Collar		WC Supply Shutter		Safety Guards			
	EDP No.	Catalog No.	EDP No.	Catalog No.	EDP No.	Catalog No.	Prop Side (Front)		Motor Side (Rear)	
							EDP No.	Catalog No.	EDP No.	Catalog No.
18"	22974	EASRMF20	06894	WS18	22631	WC18	23670	18FG	INCLUDED	
24"	22975	EASRMF26	06887	WS24	22641	WC24	23675	24FG	INCLUDED	
30"	22976	EASRMF32	06888	WS30	22651	WC30	23680	30FG	23625	30RG
36"	22977	EASRMF38	06889	WS36	22661	WC36	23685	36FG	23630	36RG

EDP No.	Catalog No.	Description
22982	MTR-556 SP	EASR Exhaust Motor Kit (for 9" - 36" Wall Shutters)
80111	Manual Chain Operator	Manual Chain Operator - 1 Panel Exhaust Shutter (for 10" - 36" Supply Shutters)
22900*	MK5047-B	WC Supply Duty Motor Kit, 120/240V (for 9" - 36" Supply Shutters)
22905*	MK5047-C	WC Supply Duty Motor Kit, 440V (for 9" - 36" Supply Shutters)
24852	Switch	Two Speed Switch for Fan Only
85388	Switch	Two Speed Switch for Fan & Supply Shutter
24820	T-1	Thermostat Control (115V only)

HIGH-PRESSURE, HIGH-VELOCITY

HV & HVEX MODELS 1 Year Warranty

Typical Uses: Systems that must overcome heavy resistance or push air through long or complex duct runs. These fans are used in industrial exhaust systems, fume capture hoods, dust collection systems, oven and dryer exhaust, process ventilation, and applications requiring air to be transported long distances. They are also used in manufacturing plants, foundries, and heavy industrial facilities where airflow must be forced through filters, ductwork, or air-cleaning equipment. Explosion-proof motors are Class I, Group D, and Class II, Groups F and G. UL Listed.



Totally Enclosed Motor



Ready-to-Install



Spark Resistant Aluminum Blades on Explosion-Proof Models

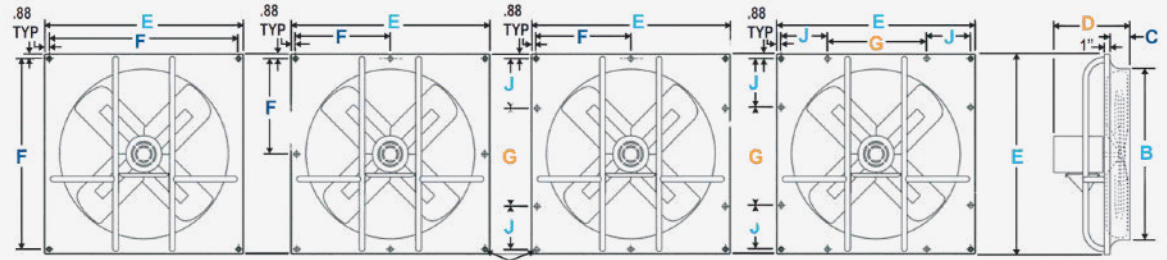
HV MODELS - TOTALLY ENCLOSED MOTORS

EDP No.	Catalog No.	Prop Dia.	Motor HP	RPM	Capacity (CFM) @ "SP in. W.G.					Max. Sones @ 5'	Ship Wt.	Motor Voltage Key	
					0"	1/8"	1/4"	3/8"	1/2"			1 Phase	3 Phase
25300	H12V76-1	12"	1/6	1750	1480	1360	1220	886	734	10.7	28	115/230V	
25305	H16V76-1	16"	1/2	1750	2700	2590	2390	2100	1740	18.5	44	230/460V	
25310	H16V836-1	16"											39
25315	H18V76-1	18"	1/2	1750	3900	3780	3575	3280	2880	23.0	46		
25320	H18V836-1	18"											42
25335	H24V76-2	24"	1	1750	6860	6560	6240	5900	5426	35.4	88		
25340	H24V836-2	24"											79
25355	H30V76-1	30"	1	1150	9470	8750	8030	7100	5900	29.0	51		
25360	H30V836-1	30"											118
25365	H30V836-3	30"	3	1750	14400	13900	13450	13000	12500	60.1	130		
25385	H36V836-3	36"	1 1/2	1150	13300	12400	11600	10600	---	37.1	203		
25390	H36V836-1	36"	3	1750	16890	16179	15504	14816	14125	80.1	205		
25395	H36V836-2	36"	5	1750	20300	19650	19100	18600	17950	76.5	225		
25415	H42V836-3	42"	1 1/2	1150	15789	15044	14059	13020	11690	51.8	240		
25420	H42V836-1	42"	3	1150	22100	21300	20500	19650	18650	51.3	295		
25425	H42V836-2	42"	5	1150	26640	25968	25250	24350	23250	62.3	320		
25445	H48V836-3	48"	3	850	27420	25800	24350	22600	---	40.7	315		
25450	H48V836-2	48"	7 1/2	1150	37100	35800	34700	33600	32450	70.2	360		

HVEX MODELS - EXPLOSION PROOF MOTOR

EDP No.	Catalog No.	Prop Dia.	Motor HP	RPM	Capacity (CFM) @ "SP in. W.G.					Max. Sones @ 5'	Ship Wt.	Motor Voltage Key	
					0"	1/8"	1/4"	3/8"	1/2"			1 Phase	3 Phase
25325	H18VEX76-1	18"	1/2	1750	3990	3780	3480	3020	2250	23.0	55	115/230V	230/460V
25330	H18VEX836-1	18"										49	
25345	H24VEX76-2	24"	1	1750	7820	7690	7450	7070	6450	35.4	47	115/230V	230/460V
25350	H24VEX836-2	24"										118	
25370	H30VEX76-1	30"	1	1150	10440	9750	8750	7640	6000	29.0	110	115/230V	230/460V
25375	H30VEX836-1	30"										118	
25380	H30VEX836-3	30"	3	1750	16000	15350	14700	13850	12900	60.1	202	115/230V	230/460V
25400	H36VEX836-3	36"	1½	1150	17620	16500	15200	13620	12300	37.1	203	115/230V	230/460V
25405	H36VEX836-1	36"	3	1750	18500	17700	15700	15100	13900	80.1	205	115/230V	230/460V
25410	H36VEX836-2	36"	5	1750	23000	22150	21100	20200	19000	76.5	225	115/230V	230/460V
25435	H42VEX836-1	42"	3	1150	24500	23150	23000	22000	19650	51.3	275	115/230V	230/460V
*25440	H42VEX836-2	42"	5	1150	28970	27960	26840	25700	24200	62.3	320	115/230V	230/460V
*25460	H48VEX836-2	48"	7½	1150	37000	35000	32800	30600	28000	70.2	360	115/230V	230/460V

Notes: Shutters and Motor Kits are not Explosion-Proof. Do not use speed control with HVEX fans. * = WRHD Heavy-Duty Shutter to be used with 5 and 7½ HP Fans.



Prop Dia.	See Figure	B	C	D 1 Phase (Max) 3 Phase (Max)		E	F	G	J	H (Dia.)	# OF HOLES
12"	A	12.25	1.25	10	--	16	14.25	--	--	.38	4
16"	A	16.5	1.75	12	12.25	22	18.25	--	--	.38	4
18"	A	18.5	1.75	10	10	24	22.25	--	--	.38	4
24"	B	24.5	2.5	12	12.25	30	14.12	--	--	.62	8
30"	B	30.6	3	15	14.75	36	17.12	--	--	.62	8
36"	C	36.5	3.25	15	15.75	42	21.12	20.25	10	.62	10
42"	D	42.5	3.25	--	20	48	--	20.25	13	.62	12
48"	D	48.5	3.25	--	22.5	54	--	20.25	16	.62	12

HV & HVEX ACCESSORIES

Recommended Optional Accessories for Fans with Totally Enclosed Motors & Explosion-Proof Motors

Exhaust Shutter Manual Chain Operator

EDP No.	Catalog No.	Description
80111	Manual Chain Operator	For EASR 1 Panel Shutter
80112	Manual Chain Operator	For EASR 2 Panel Shutters

Motor Kits

EDP No.	Catalog No.	Description
22982	MTR-556 SP	120/240V, for 10"-32" Exhaust Shutters
22983	MTR-556 DP	120/240V, for 36"-48" Exhaust Shutters
22984	MTP-885 DP	120/240V, for 56"-62" Exhaust Shutters
22900	MK5047-B	120/240V, for 9"-30" Supply Shutters
22905	MK5047-C	440V, for 9"-30" Supply Shutters
22908	MK5047-E	550V, for 9"-30" Supply Shutters
22910	MK4782-F	120/420V, for 36"-54" Supply Shutters
22915	MK4782-C	440V, for 36"-54" Supply Shutters
22918	MK4782-E	550V, for 36"-54" Supply Shutters

Optional Weatherhoods

EDP No.	Catalog No.	Ship Wt.
99915	WH24	67
99916	WH30	168
99917	WH36	206
99921	WH42	231
99923	WH48	303

Notes: Shutter Motor Kits must not be used in explosion-proof applications. The shutter motors are not rated for hazardous locations and are incompatible with explosion-proof fan motors. WC Supply Shutters are not weather-resistant; the use of a weatherhood is recommended for outdoor applications. 48" & 54" shutters are double-panel type; 60" shutters are 3-panel type. Weatherhoods are available in sizes 24"-48".

Please specify voltage needed when ordering.
All units are for single phase operation.

HV & HVEX ACCESSORIES

Recommended Optional Accessories for Fans with Totally Enclosed Motors & Explosion-Proof Motors

Prop Dia.	Wall Collar		Exhaust Shutter				Supply Shutter				Safety Guards			
	EDP No.	Cat No.	Used with Wall Collar		Used without Wall Collar		Used with Wall Collar		Used without Wall Collar		Prop Side (Front)		Motor Side (Rear)	
			EDP No.	Cat No.	EDP No.	Cat No.	EDP No.	Cat No.	EDP No.	Cat No.	EDP No.	Cat No.	EDP No.	Cat No.
12"	06884	WS12	22971	EASRMF12	22972	EASRMF14	22755	WC10	22611	WC12	23660	12FG	23605	12RG
16"	06886	WS18E	22973	EASRMF18	22973	EASRMF14	22621	WC16	22621	WC16	23665	16FG	23610	16RG
18"	06894	WS18	22974	EASRMF20	22974	EASRMF20	22631	WC18	22631	WC18	23670	18FG	23615	18RG
24"	06887	WS24	22975	EASRMF24	22975	EASRMF24	22631	WC24	22631	WC24	23675	24FG	23620	24RG
30"	06888	WS30	22976	EASRMF30	222976	EASRMF30	22651	WC30	22651	WC24	23680	30FG	23625	30RG
36"	06889	WS36	22977	EASRMF36	22977	EASRMF36	22661	WC36	22661	WC36	23685	36FG	23630	36RG
42"	06890	WS42	22978	EASRMF44	22978	EASRMF44	22671	WC42	22671	WC42	23690	42FG	23635	42RG
48"	06891	WS48	22979	EASRMF50	22978	EASRMF50	22681	WC48	22681	WC48	23695	48FG	23640	48RG

Note: When an EASR-MF or WC shutter is used for exhaust or supply and mounted remotely from the fan, a WS Wall Collar is not needed. The shutter is installed directly on the wall, and a Motor Actuator Kit must be utilized. EASR-MF44 and EASR-MF50 are two panel construction.



CABINET FAN WITH AUTO SHUTTERS

CWF MODELS 1 Year Warranty

These fans are most commonly used in poultry houses, livestock barns, agricultural buildings, mechanical rooms, manufacturing spaces, boiler rooms, and general facility exhaust spaces where weather protection, backdraft prevention, and controlled airflow are required. Automatic shutters prevent air infiltration when the fan is off, improving energy efficiency and maintaining indoor conditions.

- 115V, 115/230V, 1-Phase & 230/460V, 3-Phase Motors
- Explosion Proof Motor Class I Group D; Class II, Groups F & G
- Aluminum Shutters, Inlet Guard, Ball Bearing Motor



Quiet, Belt Driven System



Fully Assembled, Ready-to-Install



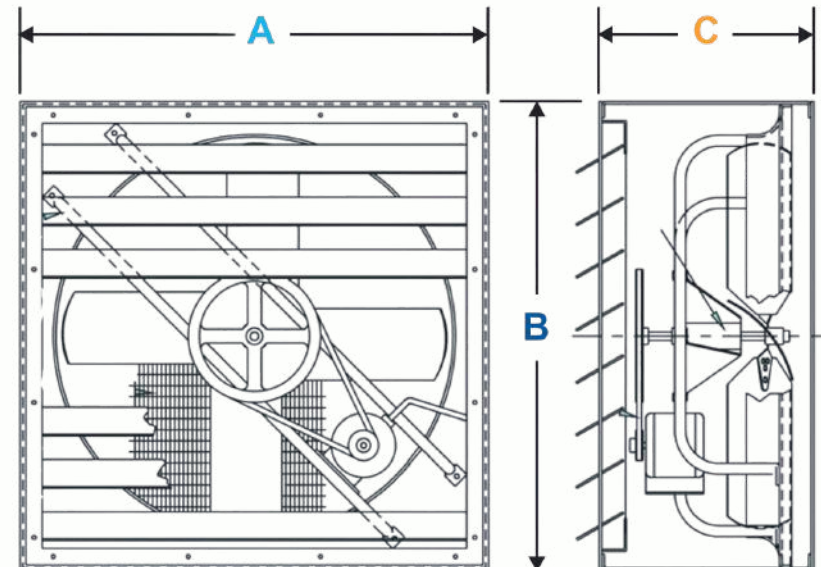
Heavy-Gauge Galvanized Steel Housing



High-Efficiency Automatic Shutters



DIMENSIONS



OPEN DRIP PROOF (ODP), 115V, 1-PHASE

EDP No.	Catalog No.	Prop Dia.	HP	RPM	Capacity (CFM) @ "SP in. W.G.			Cabinet Size			Max. Sones @ 5'	Ship Wt.
					0"	1/8"	1/4"	A	B	C		
39220	CWF-30-2A	30"	1/2	574	6066	3370	2714	36.5"	36.5"	22"	10.99	139
39230	CWF-36-2A	36"	1/2	415	8143	4044	2814	42.5"	42.5"	22"	9.5	150
39240	CWF-42-3A	42"	3/4	413	11039	5950	5397	48.5"	48.5"	22"	12.6	275
39250	CWF-48-4A	48"	1	372	14970	10509	7084	54.5"	54.5"	22"	12.5	310

TOTALLY ENCLOSED FAN COOLED MOTOR (TEFC), 115/230V, 1-PHASE

EDP No.	Catalog No.	Prop Dia.	HP	RPM	Capacity (CFM) @ "SP in. W.G.			Cabinet Size			Max. Sones @ 5'	Ship Wt.
					0"	1/8"	1/4"	A	B	C		
39236	CWF-36-3A5TE	36"	3/4	415	8143	4044	2814	42.5"	42.5"	25"	9.5	177
39257	CWF-48-4A1E	48"	1	372	14970	10509	7084	54.5"	54.5"	25"	12.5	341

TOTALLY ENCLOSED FAN COOLED MOTOR (TEFC), 230.460V, 3-PHASE

EDP No.	Catalog No.	Prop Dia.	HP	RPM	Capacity (CFM) @ "SP in. W.G.			Cabinet Size			Max. Sones @ 5'	Ship Wt.
					0"	1/8"	1/4"	A	B	C		
39223	CWF-30-2A3E	30"	1/2	574	6066	3370	2714	36.5"	36.5"	25"	10.9	153
39237	CWF-36-2A3E	36"	1/2	415	8143	4044	2814	42.5"	42.5"	25"	9.5	181
39247	CWF-42-3A3E	42"	3/4	413	11039	5950	5397	48.5"	48.5"	25"	12.6	297
39255	CWF-48-4A3E	48"	1	372	14970	10509	7084	54.5"	54.5"	25"	12.5	341

EXPLOSION-PROOF MOTOR (EXP), 115/230V, 1-PHASE

EDP No.	Catalog No.	Prop Dia.	HP	RPM	Capacity (CFM) @ "SP in. W.G.			Cabinet Size			Max. Sones @ 5'	Ship Wt.
					0"	1/8"	1/4"	A	B	C		
39225	CWF-30-2A1X	30"	1/2	574	6066	3370	2714	36.5"	36.5"	25"	10.9	168
39234	CWF-36-2A1X	36"	1/2	415	8143	4044	2814	42.5"	42.5"	25"	9.5	181
39241	CWF-42-3A1X	42"	3/4	413	11039	5950	5397	48.5"	48.5"	25"	12.6	317
39246	CWF-48-4A1X	48"	1	372	14970	10509	7084	54.5"	54.5"	25"	12.5	353

LOW PRESSURE EXHAUST FAN

PB MODELS 1 Year Warranty

Typical Uses: Large-volume ventilation with light to moderate resistance where long service life and performance flexibility are important.

These fans are used in warehouses, production areas, agricultural facilities, equipment rooms, and general building exhaust, handling large spaces with ease and maintaining optimal airflow.

The belt drive allows speed adjustment and easier maintenance, making them ideal for continuous-duty ventilation systems.



Higher Torque and Adjustable Speed



Mounted Motor and Drive



Fully Assembled, Ready-to-Install



Continuous Duty Ventilation



EDP No.	Catalog No.	Prop Dia.	HP	Fan RPM	Capacity (CFM) @ "SP		Max. Sones @ 5'	Ship Wt.	Motor Voltage Key	
					0"	1/8"				
25602	PB24RA-F1A	24"	1/3	710	4973	3862	10.21	53	1 Phase	115/230V
25612	PB24RA-G1A	24"	1/2	850	5953	5001	14.2	55	3 Phase	230/460V
25811	PB24RA-G8A	24"	1/2	850	5953	5001	14.2	59		
25622	PB30RA-F1A	30"	1/3	510	7012	5163	9	60		
25632	PB30RA-G1A	30"	1/2	600	8249	6720	11.7	64		
25831	PB30RA-G8A	30"	1/2	600	8249	6720	11.7	59		
25652	PB36RA-F1A	36"	1/3	375	9048	6980	8.5	69		
25662	PB36RA-G1A	36"	1/2	440	10616	8120	11.5	72		
25861	PB36RA-G8A	36"	1/2	440	10616	8120	11.5	69		
25682	PB42R-F1A	42"	1/3	340	10808	6812	8.4	97		
25692	PB42RA-G1A	42"	1/2	386	12271	9304	10.8	100		
25891	PB42RA-G8A	42"	1/2	386	12271	9304	10.8	98		
25702	PB42RA-H3A	42"	3/4	445	14146	11672	14	109		
25712	PB42RA-J3A	42"	1	495	15736	13568	16.8	107		
25911	PB42RA-I8A	42"	1	495	15736	13568	16.8	105		
25722	PB48RA-G1A	48"	1/2	320	14609	10154	10.1	110		
25921	PB48RA-G8A	48"	1/2	320	14609	10154	10.1	112		
25732	PB48RA-H3A	48"	3/4	370	16891	13393	15	115		
25742	PB48RA-J3A	48"	1	406	18535	15457	16.8	125		
25941	PB48RA-I8A	48"	1	406	18535	15457	16.8	127		

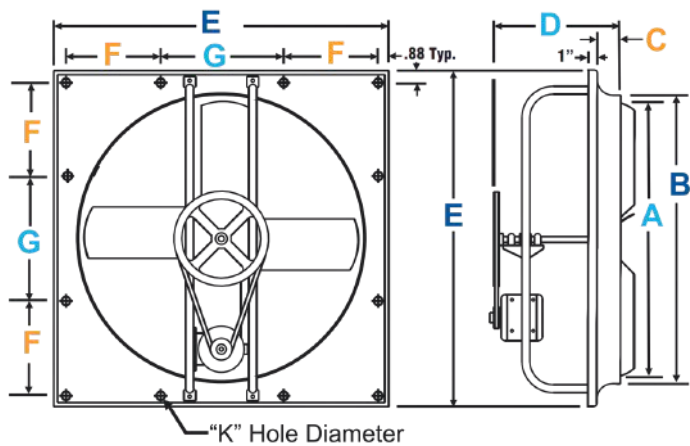


FIGURE 1

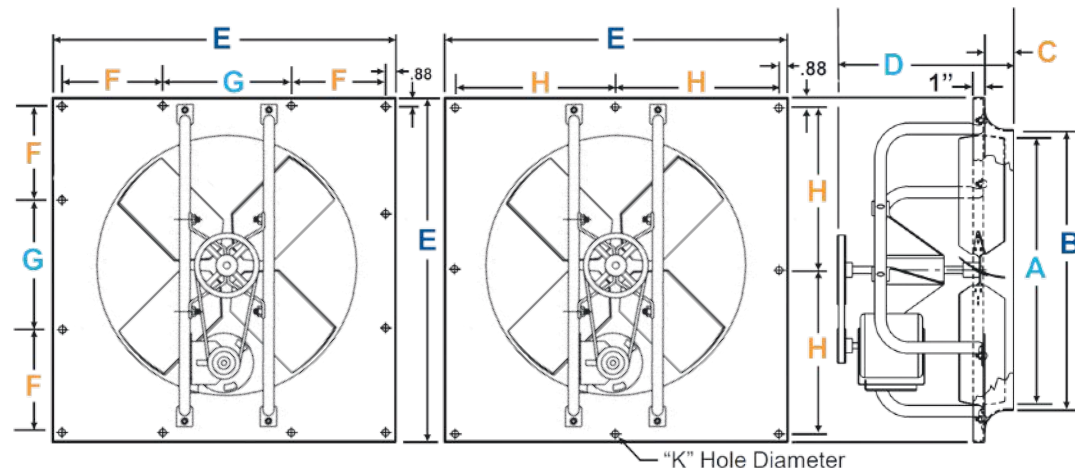


FIGURE 3

FIGURE 2



DIMENSIONS

Prop Dia.	See Figure	A	B	C	D	E	F	G	H	K	# OF HOLES
24"	2	24	24.5	2.5	17.875	30	--	--	14.12	0.62	8
30"	2	30	30.5	3.63	18.375	36	--	--	17.12	0.62	8
36"	3	36	36.5	3.5	18.625	42	10	20.25	--	0.62	12
42"	1	42	42.5	3.25	24.75	48	13	20.25	--	0.62	12
48"	1	48	48.5	3.25	24.75	54	16	20.25	--	0.62	12

HIGH-PRESSURE, BELT DRIVEN

HA MODELS 1 Year Warranty

Typical Uses: High-static-pressure environments requiring continuous duty and adjustable performance.

Common applications include industrial exhaust systems, air handling units, large ducted systems, filtration systems, and process ventilation in manufacturing plants, food processing facilities, and heavy industrial operations. The belt drive allows airflow to be tuned for changing system demands or future expansion.



Precision-Balanced Propeller



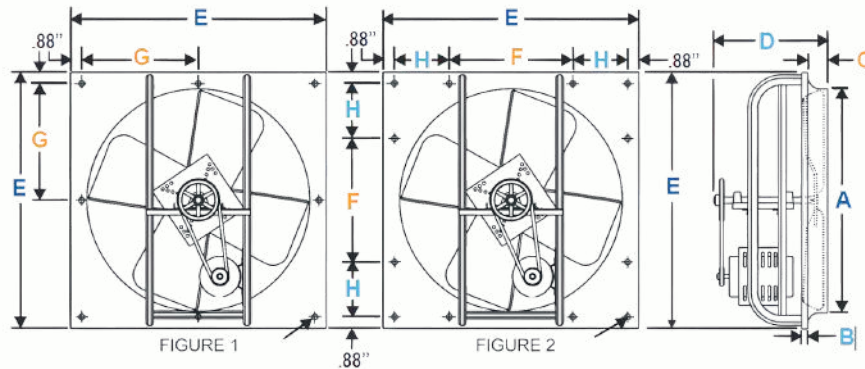
Epoxy Coated



Available for Exhaust or Supply



DIMENSIONS



Model	See Figure	A	B	C	D	E	F	G	H	# OF HOLES
HA24	1	24.437	1	2.5	15.187	30	--	14.125	--	8
HA30	1	30.5	1	2.625	18.625	36	--	17.125	--	8
HA36	1	36.5	1.5	3.25	19.125	42	--	20.125	--	8
HA42	2	42.5	2	3.25	23.75	48	18.25	--	14	12
HA48	2	48.5	2	3.25	24.875	54	18.25	--	17	12
HA54	2	54.5	2	3.25	23.437	60	18.25	--	20	12
HA60	2	60.5	2	3.25	23.437	66	18.25	--	23	12



Catalog No.	Prop Dia.	HP	Fan RPM	Max BHP	Capacity (CFM) @ "SP					Max. Sones @ 5'	Ship Wt.	See Page
					0"	1/8"	1/4"	3/8"	1/2"			
HA24CA	24"	1/4	746	0.28	4398	3745	---	---	---	12.4	70	31
HA24DA	24"	1/3	805	0.37	4746	4210	2885	---	---	12.9	80	31
HA24FA	24"	1/2	980	0.64	5778	5409	4617	---	---	18.4	85	31
HA24HA	24"	3/4	1080	0.86	6367	6049	5502	4428	---	22.6	92	32
HA24JA	24"	1	1180	1.14	6957	6674	6257	5453	4462	26.3	111	32
HA24KA	24"	1½	1340	1.63	7900	7658	7349	6867	6067	34	121	32
HA30DA	30"	1/3	530	0.36	6518	4821	2680	---	---	8.8	98	33
HA30FA	30"	1/2	640	0.55	7871	6735	4669	---	---	12.8	103	33
HA30HA	30"	3/4	730	0.85	8978	8080	6439	4690	---	19.3	108	33
HA30JA	30"	1	820	1.14	10085	9333	8114	6425	---	20.8	127	34
HA30KA	30"	1½	930	1.67	11438	10804	9913	8579	7089	28.2	136	34
HA36FA	36"	1/2	561	0.56	9720	8211	5602	---	---	14	122	34
HA36HA	36"	3/4	650	0.83	11262	10143	7951	---	---	18.1	128	35
HA36JA	36"	1	720	1.1	12475	11533	9805	---	---	21.8	148	35
HA36KA	36"	1½	820	1.65	14207	13429	12223	10377	---	26.3	157	35
HA36MA	36"	2	890	2.15	15420	14721	13739	12219	10464	30.3	172	36
HA42FA	42"	1/2	410	0.58	12797	9882	---	---	---	12	169	36
HA42HA	42"	3/4	453	0.83	14139	11686	7833	---	---	14.4	170	36
HA42JA	42"	1	500	1.08	15606	13517	10254	---	---	17.1	215	37
HA42KA	42"	1½	583	1.66	18197	16533	14113	---	---	21.1	225	37

CONTINUED ON PAGE 30

CONTINUED FROM PAGE 29

Catalog No.	Prop Dia.	HP	Fan RPM	Max BHP	Capacity (CFM) @ "SP					Max. Sones @ 5'	Ship Wt.	See Page
					0"	1/8"	1/4"	3/8"	1/2"			
HA42MA	42"	2	635	2.2	19820	18339	16298	13666	---	24.8	235	37
HA42OA	42"	3	725	3.28	22629	21378	19787	17760	15381	31.8	255	38
HA48HA	48"	3/4	395	0.86	17392	14182	---	---	---	15.9	223	38
HA48JA	48"	1	420	1.13	18493	15544	10953	---	---	16.6	225	38
HA48KA	48"	1½	485	1.67	21335	18883	15665	---	---	23.4	230	39
HA48MA	48"	2	535	2.31	23568	20648	18132	14264	---	26.1	245	39
HA48OA	48"	3	610	3.43	26558	24896	22832	20205	---	35.5	265	39
HA48PA	48"	5	690	4.79	30381	28610	26909	24888	22419	53.9	285	40
HA54JA	54"	1	301	1.11	21524	17049	8814	---	---	12.6	310	40
HA54KA	54"	1½	353	1.65	25243	21902	15939	---	---	16.2	313	40
HA54MA	54"	2	383	2.2	27388	24450	19521	12944	---	18.7	320	41
HA54OA	54"	3	437	3.31	31250	28802	25241	20099	14178	23.4	370	41
HA54PA	54"	5	527	5.5	37686	35717	33353	30099	25907	31.8	385	41
HA54QA	54"	7½	600	8.13	42906	41174	39308	36935	33896	41.4	455	42
HA60KA	60"	1½	295	1.64	28923	24368	16985	---	---	22.1	395	42
HA60MA	60"	2	328	2.2	32158	28269	22401	---	---	26.1	400	42
HA60OA	60"	3	373	3.29	36570	33294	28826	22824	---	30.3	450	43
HA60PA	60"	5	447	5.5	43825	41170	38024	33975	---	44.3	465	43
HA60QA	60"	7½	510	8.18	50002	47680	45165	42090	38385	57.2	535	43
HA60RA	60"	10	570	11.31	55885	53786	51667	49180	46262	68.5	555	44

HA MODELS & ACCESSORIES

Catalog No.	Prop Dia.	HP	Fan RPM	Max BHP	Capacity (CFM) @ "SP					Max. Sones @ 5'	Ship Wt.
					0"	1/8"	1/4"	3/8"	1/2"		
	24"	1/4	746	0.28	4398	3745	---	---	---	12.4	70
	EDP No.	Volt	Phase	Speed	Motor		Optional Accessories			EDP No.	Catalog No.
	42506	230/460	1	1	TE		Exhaust Shutter			22975	EASRMF-26
HA24CA	95100	---	---	---	Less Motor & Drive		Supply Shutter			22641	WC24
							Wall Collar			06887	WS24
							Rear Safety Guard			23620	24RG
							Front Safety Guard			23675	24FG
Catalog No.	Prop Dia.	HP	Fan RPM	Max BHP	Capacity (CFM) @ "SP					Max. Sones @ 5'	Ship Wt.
					0"	1/8"	1/4"	3/8"	1/2"		
	24"	1/3	805	0.37	4746	4210	2885	---	---	12.9	80
	EDP No.	Volt	Phase	Speed	Motor		Optional Accessories			EDP No.	Catalog No.
	42518	115/230	1	1	TE		Exhaust Shutter			22975	EASRMF-26
HA24DA	42521	230/460	3	1	TE		Supply Shutter			22641	WC24
	95100	---	---	---	Less Motor & Drive		Wall Collar			06887	WS24
							Rear Safety Guard			23620	24RG
							Front Safety Guard			23675	24FG
Catalog No.	Prop Dia.	HP	Fan RPM	Max BHP	Capacity (CFM) @ "SP					Max. Sones @ 5'	Ship Wt.
					0"	1/8"	1/4"	3/8"	1/2"		
	24"	1/2	980	0.64	5778	5409	4617	---	---	18.4	85
	EDP No.	Volt	Phase	Speed	Motor		Optional Accessories			EDP No.	Catalog No.
	42539	115/230	1	1	TE		Exhaust Shutter			22975	EASRMF-26
HA24FA	42542	230/460	3	1	TE		Supply Shutter			22641	WC24
	95100	---	---	---	Less Motor & Drive		Wall Collar			06887	WS24
							Rear Safety Guard			23620	24RG
							Front Safety Guard			23675	24FG

HA MODELS & ACCESSORIES CONTINUED FROM PAGE 31

Catalog No.	Prop Dia.	HP	Fan RPM	Max BHP	Capacity (CFM) @ "SP					Max. Sones @ 5'	Ship Wt.
					0"	1/8"	1/4"	3/8"	1/2"		
	24"	3/4	1080	0.86	6367	6049	5502	4428	---	22.6	92
	EDP No.	Volt	Phase	Speed	Motor		Optional Accessories			EDP No.	Catalog No.
	42554	115/230	1	1	TE		Exhaust Shutter			22975	EASRMF-26
HA24HA	42557	230/460	3	1	TE		Supply Shutter			22641	WC24
	95100	---	---	---	Less Motor & Drive		Wall Collar			06887	WS24
							Rear Safety Guard			23620	24RG
							Front Safety Guard			23675	24FG
Catalog No.	Prop Dia.	HP	Fan RPM	Max BHP	Capacity (CFM) @ "SP					Max. Sones @ 5'	Ship Wt.
					0"	1/8"	1/4"	3/8"	1/2"		
	24"	1	1180	1.14	6957	6674	6257	5453	4462	26.3	111
	EDP No.	Volt	Phase	Speed	Motor		Optional Accessories			EDP No.	Catalog No.
	42569	115/230	1	1	TE		Exhaust Shutter			22975	EASRMF-26
HA24JA	42572	230/460	3	1	TE		Supply Shutter			22641	WC24
	95100	---	---	---	Less Motor & Drive		Wall Collar			06887	WS24
							Rear Safety Guard			23620	24RG
							Front Safety Guard			23675	24FG
Catalog No.	Prop Dia.	HP	Fan RPM	Max BHP	Capacity (CFM) @ "SP					Max. Sones @ 5'	Ship Wt.
					0"	1/8"	1/4"	3/8"	1/2"		
	24"	1½	1340	1.63	7900	7658	7349	6867	6067	34	121
	EDP No.	Volt	Phase	Speed	Motor		Optional Accessories			EDP No.	Catalog No.
	42584	115/230	1	1	TE		Exhaust Shutter			22975	EASRMF-26
HA24KA	42587	230/460	3	1	TE		Supply Shutter			22641	WC24
	95100	---	---	---	Less Motor & Drive		Wall Collar			06887	WS24
							Rear Safety Guard			23620	24RG
							Front Safety Guard			23675	24FG

Catalog No.	Prop Dia.	HP	Fan RPM	Max BHP	Capacity (CFM) @ "SP					Max. Sones @ 5'	Ship Wt.
					0"	1/8"	1/4"	3/8"	1/2"		
	30"	1/3	530	0.36	6518	4821	2680	---	---	8.8	98
	EDP No.	Volt	Phase	Speed	Motor		Optional Accessories			EDP No.	Catalog No.
	42596	115/230	1	1	TE		Exhaust Shutter			22976	EASRMF-32
HA30DA	42599	230/460	3	1	TE		Supply Shutter			22651	WC30
	95104	---	---	---	Less Motor & Drive		Wall Collar			06888	WS30
							Rear Safety Guard			23625	30RG
							Front Safety Guard			23680	30FG
Catalog No.	Prop Dia.	HP	Fan RPM	Max BHP	Capacity (CFM) @ "SP					Max. Sones @ 5'	Ship Wt.
					0"	1/8"	1/4"	3/8"	1/2"		
	30"	1/2	640	0.55	7871	6735	4669	---	---	12.8	103
	EDP No.	Volt	Phase	Speed	Motor		Optional Accessories			EDP No.	Catalog No.
	42618	115/230	1	1	TE		Exhaust Shutter			22976	EASRMF-32
HA30FA	42621	230/460	3	1	TE		Supply Shutter			22651	WC30
	95104	---	---	---	Less Motor & Drive		Wall Collar			06888	WS30
							Rear Safety Guard			23625	30RG
							Front Safety Guard			23680	30FG
Catalog No.	Prop Dia.	HP	Fan RPM	Max BHP	Capacity (CFM) @ "SP					Max. Sones @ 5'	Ship Wt.
					0"	1/8"	1/4"	3/8"	1/2"		
	30"	3/4	730	0.85	8978	8080	6439	4690	---	19.3	108
	EDP No.	Volt	Phase	Speed	Motor		Optional Accessories			EDP No.	Catalog No.
	42630	115/230	1	1	TE		Exhaust Shutter			22976	EASRMF-32
HA30HA	42633	230/460	3	1	TE		Supply Shutter			22651	WC30
	95104	---	---	---	Less Motor & Drive		Wall Collar			06888	WS30
							Rear Safety Guard			23625	30RG
							Front Safety Guard			23680	30FG

HA MODELS & ACCESSORIES CONTINUED FROM PAGE 33

Catalog No.	Prop Dia.	HP	Fan RPM	Max BHP	Capacity (CFM) @ "SP					Max. Sones @ 5'	Ship Wt.
					0"	1/8"	1/4"	3/8"	1/2"		
	30"	1	820	114	10085	9333	8114	6425	---	20.8	127
	EDP No.	Volt	Phase	Speed	Motor		Optional Accessories			EDP No.	Catalog No.
	42648	115/230	1	1	TE		Exhaust Shutter			22976	EASRMF-32
HA30JA	42651	230/460	3	1	TE		Supply Shutter			22651	WC30
	95104	---	---	---	Less Motor & Drive		Wall Collar			06888	WS30
							Rear Safety Guard			23625	30RG
							Front Safety Guard			23680	30FG
Catalog No.	Prop Dia.	HP	Fan RPM	Max BHP	Capacity (CFM) @ "SP					Max. Sones @ 5'	Ship Wt.
					0"	1/8"	1/4"	3/8"	1/2"		
	30"	1½	930	1.67	11438	10804	9913	8579	7089	28.2	136
	EDP No.	Volt	Phase	Speed	Motor		Optional Accessories			EDP No.	Catalog No.
	42666	115/230	1	1	TE		Exhaust Shutter			22976	EASRMF-32
HA30KA	42669	230/460	3	1	TE		Supply Shutter			22651	WC30
	95104	---	---	---	Less Motor & Drive		Wall Collar			06888	WS30
							Rear Safety Guard			23625	30RG
							Front Safety Guard			23680	30FG
Catalog No.	Prop Dia.	HP	Fan RPM	Max BHP	Capacity (CFM) @ "SP					Max. Sones @ 5'	Ship Wt.
					0"	1/8"	1/4"	3/8"	1/2"		
	36"	1/2	561	0.56	9720	8211	5602	---	---	14	122
	EDP No.	Volt	Phase	Speed	Motor		Optional Accessories			EDP No.	Catalog No.
	42678	115/230	1	1	TE		Exhaust Shutter			22977	EASRMF-38
HA36FA	42681	230/460	3	1	TE		Supply Shutter			22661	WC36
	95108	---	---	---	Less Motor & Drive		Wall Collar			06889	WS36
							Rear Safety Guard			23630	36RG
							Front Safety Guard			23685	36FG

Catalog No.	Prop Dia.	HP	Fan RPM	Max BHP	Capacity (CFM) @ "SP					Max. Sones @ 5'	Ship Wt.
					0"	1/8"	1/4"	3/8"	1/2"		
	36"	3/4	650	0.83	11262	10143	7951	---	---	18.1	128
	EDP No.	Volt	Phase	Speed	Motor	Optional Accessories			EDP No.	Catalog No.	
	42696	115/230	1	1	TE	Exhaust Shutter			22977	EASRMF-38	
HA36HA	42699	230/460	3	1	TE	Supply Shutter			22661	WC36	
	95108	---	---	---	Less Motor & Drive	Wall Collar			06889	WS36	
						Rear Safety Guard			23630	36RG	
						Front Safety Guard			23685	36FG	
Catalog No.	Prop Dia.	HP	Fan RPM	Max BHP	Capacity (CFM) @ "SP					Max. Sones @ 5'	Ship Wt.
	36"	1	720	1.10	12475	11533	9805	---	---	21.8	148
	EDP No.	Volt	Phase	Speed	Motor	Optional Accessories			EDP No.	Catalog No.	
	42708	115/230	1	1	TE	Exhaust Shutter			22977	EASRMF-38	
HA36JA	42711	230/460	3	1	TE	Supply Shutter			22661	WC36	
	95108	---	---	---	Less Motor & Drive	Wall Collar			06889	WS36	
						Rear Safety Guard			23630	36RG	
						Front Safety Guard			23685	36FG	
Catalog No.	Prop Dia.	HP	Fan RPM	Max BHP	Capacity (CFM) @ "SP					Max. Sones @ 5'	Ship Wt.
	36"	1½	820	1.65	14207	13429	12223	10377	---	26.3	157
	EDP No.	Volt	Phase	Speed	Motor	Optional Accessories			EDP No.	Catalog No.	
	42732	115/230	1	1	TE	Exhaust Shutter			22977	EASRMF-38	
HA36KA	42735	230/460	3	1	TE	Supply Shutter			22661	WC36	
	95108	---	---	---	Less Motor & Drive	Wall Collar			06889	WS36	
						Rear Safety Guard			23630	36RG	
						Front Safety Guard			23685	36FG	

HA MODELS & ACCESSORIES CONTINUED FROM PAGE 35

Catalog No.	Prop Dia.	HP	Fan RPM	Max BHP	Capacity (CFM) @ "SP					Max. Sones @ 5'	Ship Wt.
					0"	1/8"	1/4"	3/8"	1/2"		
	36"	2	890	2.15	15420	14721	13739	12219	10464	30.3	172
	EDP No.	Volt	Phase	Speed	Motor		Optional Accessories			EDP No.	Catalog No.
	42753	230/460	3	1	TE		Exhaust Shutter			22977	EASRMF-38
HA36MA	95108	---	---	---	Less Motor & Drive		Supply Shutter			22661	WC36
							Wall Collar			06889	WS36
							Rear Safety Guard			23630	36RG
							Front Safety Guard			23685	36FG
Catalog No.	Prop Dia.	HP	Fan RPM	Max BHP	Capacity (CFM) @ "SP					Max. Sones @ 5'	Ship Wt.
	42"	1/2	410	0.58	12797	9882	---	---	---	12.0	169
	EDP No.	Volt	Phase	Speed	Motor		Optional Accessories			EDP No.	Catalog No.
	42762	115/230	1	1	TE		Exhaust Shutter			22978	EASRMF-44
HA42FA	42765	230/460	3	1	TE		Supply Shutter			22671	WC42
	95112	---	---	---	Less Motor & Drive		Wall Collar			06890	WS42
							Rear Safety Guard			23635	42RG
							Front Safety Guard			23690	42FG
Catalog No.	Prop Dia.	HP	Fan RPM	Max BHP	Capacity (CFM) @ "SP					Max. Sones @ 5'	Ship Wt.
	42"	3/4	453	0.83	14139	11686	7833	---	---	14.4	170
	EDP No.	Volt	Phase	Speed	Motor		Optional Accessories			EDP No.	Catalog No.
	42774	115/230	1	1	TE		Exhaust Shutter			22978	EASRMF-44
HA42HA	42777	230/460	3	1	TE		Supply Shutter			22671	WC42
	95112	---	---	---	Less Motor & Drive		Wall Collar			06890	WS42
							Rear Safety Guard			23635	42RG
							Front Safety Guard			23690	42FG

Catalog No.	Prop Dia.	HP	Fan RPM	Max BHP	Capacity (CFM) @ "SP					Max. Sones @ 5'	Ship Wt.
					0"	1/8"	1/4"	3/8"	1/2"		
	42"	1	500	1.08	15606	13517	10254	---	---	17.1	215
	EDP No.	Volt	Phase	Speed	Motor		Optional Accessories			EDP No.	Catalog No.
	42786	115/230	1	1	TE		Exhaust Shutter			22978	EASRMF-44
HA42JA	42789	230/460	3	1	TE		Supply Shutter			22671	WC42
	95112	---	---	---	Less Motor & Drive		Wall Collar			06890	WS42
							Rear Safety Guard			23635	42RG
							Front Safety Guard			23690	42FG
Catalog No.	Prop Dia.	HP	Fan RPM	Max BHP	Capacity (CFM) @ "SP					Max. Sones @ 5'	Ship Wt.
					0"	1/8"	1/4"	3/8"	1/2"		
	42"	1½	583	1.66	18197	16533	14113	---	---	21.1	225
	EDP No.	Volt	Phase	Speed	Motor		Optional Accessories			EDP No.	Catalog No.
	42807	115/230	1	1	TE		Exhaust Shutter			22978	EASRMF-44
HA42KA	42810	230/460	3	1	TE		Supply Shutter			22671	WC42
	95112	---	---	---	Less Motor & Drive		Wall Collar			06890	WS42
							Rear Safety Guard			23635	42RG
							Front Safety Guard			23690	42FG
Catalog No.	Prop Dia.	HP	Fan RPM	Max BHP	Capacity (CFM) @ "SP					Max. Sones @ 5'	Ship Wt.
					0"	1/8"	1/4"	3/8"	1/2"		
	42"	2	635	2.20	19820	18339	16298	13666	---	24.8	235
	EDP No.	Volt	Phase	Speed	Motor		Optional Accessories			EDP No.	Catalog No.
	42816	230/460	3	1	TE		Exhaust Shutter			22978	EASRMF-44
HA42MA	95112	---	---	---	Less Motor & Drive		Supply Shutter			22671	WC42
							Wall Collar			06890	WS42
							Rear Safety Guard			23635	42RG
							Front Safety Guard			23690	42FG

HA MODELS & ACCESSORIES CONTINUED FROM PAGE 37

Catalog No.	Prop Dia.	HP	Fan RPM	Max BHP	Capacity (CFM) @ "SP					Max. Sones @ 5'	Ship Wt.
					0"	1/8"	1/4"	3/8"	1/2"		
	42"	3	725	3.28	22629	21378	19787	17760	15381	318	255
	EDP No.	Volt	Phase	Speed	Motor		Optional Accessories			EDP No.	Catalog No.
	42825	230/460	3	1	TE		Exhaust Shutter			22978	EASRMF-44
HA42OA	95112	---	---	---	Less Motor & Drive		Supply Shutter			22671	WC42
							Wall Collar			06890	WS42
							Rear Safety Guard			23635	42RG
							Front Safety Guard			23690	42FG
Catalog No.	Prop Dia.	HP	Fan RPM	Max BHP	Capacity (CFM) @ "SP					Max. Sones @ 5'	Ship Wt.
					0"	1/8"	1/4"	3/8"	1/2"		
	48"	3/4	395	0.86	17392	14182	---	---	---	15.9	223
	EDP No.	Volt	Phase	Speed	Motor		Optional Accessories			EDP No.	Catalog No.
	42834	115/230	1	1	TE		Exhaust Shutter			22979	EASRMF-50
HA48HA	42837	230/460	3	1	TE		Supply Shutter			22681	WC48
	95116	---	---	---	Less Motor & Drive		Wall Collar			06891	WS48
							Rear Safety Guard			23640	48RG
							Front Safety Guard			23695	48FG
Catalog No.	Prop Dia.	HP	Fan RPM	Max BHP	Capacity (CFM) @ "SP					Max. Sones @ 5'	Ship Wt.
					0"	1/8"	1/4"	3/8"	1/2"		
	48"	1	420	1.13	18493	15544	10953	---	---	16.6	225
	EDP No.	Volt	Phase	Speed	Motor		Optional Accessories			EDP No.	Catalog No.
	42846	115/230	1	1	TE		Exhaust Shutter			22979	EASRMF-50
HA48JA	42849	230/460	3	1	TE		Supply Shutter			22681	WC48
	95116	---	---	---	Less Motor & Drive		Wall Collar			06891	WS48
							Rear Safety Guard			23640	48RG
							Front Safety Guard			23695	48FG

Catalog No.	Prop Dia.	HP	Fan RPM	Max BHP	Capacity (CFM) @ "SP					Max. Sones @ 5'	Ship Wt.
					0"	1/8"	1/4"	3/8"	1/2"		
	48"	1 1/2	485	1.67	21335	18883	15665	---	---	23.4	230
	EDP No.	Volt	Phase	Speed	Motor		Optional Accessories			EDP No.	Catalog No.
	42861	115/230	1	1	TE		Exhaust Shutter			22979	EASRMF-50
HA48KA	42864	230/460	3	1	TE		Supply Shutter			22681	WC48
	95116	---	---	---	Less Motor & Drive		Wall Collar			06891	WS48
							Rear Safety Guard			23640	48RG
							Front Safety Guard			23695	48FG
Catalog No.	Prop Dia.	HP	Fan RPM	Max BHP	Capacity (CFM) @ "SP					Max. Sones @ 5'	Ship Wt.
					0"	1/8"	1/4"	3/8"	1/2"		
	48"	2	535	2.31	23556	20848	18132	14264	---	26.1	245
	EDP No.	Volt	Phase	Speed	Motor		Optional Accessories			EDP No.	Catalog No.
	42876	230/460	3	1	TE		Exhaust Shutter			22979	EASRMF-50
HA48MA	95116	---	---	---	Less Motor & Drive		Supply Shutter			22681	WC48
							Wall Collar			06891	WS48
							Rear Safety Guard			23640	48RG
							Front Safety Guard			23695	48FG
Catalog No.	Prop Dia.	HP	Fan RPM	Max BHP	Capacity (CFM) @ "SP					Max. Sones @ 5'	Ship Wt.
					0"	1/8"	1/4"	3/8"	1/2"		
	48"	3	610	3.43	26858	24896	22832	20205	---	35.5	265
	EDP No.	Volt	Phase	Speed	Motor		Optional Accessories			EDP No.	Catalog No.
	42891	230/460	3	1	TE		Exhaust Shutter			22979	EASRMF-50
HA48OA	95116	---	---	---	Less Motor & Drive		Supply Shutter			22681	WC48
							Wall Collar			06891	WS48
							Rear Safety Guard			23640	48RG
							Front Safety Guard			23695	48FG

HA MODELS & ACCESSORIES CONTINUED FROM PAGE 39

Catalog No.	Prop Dia.	HP	Fan RPM	Max BHP	Capacity (CFM) @ "SP					Max. Sones @ 5'	Ship Wt.
					0"	1/8"	1/4"	3/8"	1/2"		
	48"	5	690	4.79	30381	28610	26909	24888	22419	53.9	285
	EDP No.	Volt	Phase	Speed	Motor		Optional Accessories			EDP No.	Catalog No.
	42903	230/460	3	1	TE		Exhaust Shutter			22747	WRHD48
HA48PA	95116	---	---	---	Less Motor & Drive		Supply Shutter			22681	WC48
							Wall Collar			06891	WS48
							Rear Safety Guard			23640	48RG
							Front Safety Guard			23695	48FG
Catalog No.	Prop Dia.	HP	Fan RPM	Max BHP	Capacity (CFM) @ "SP					Max. Sones @ 5'	Ship Wt.
					0"	1/8"	1/4"	3/8"	1/2"		
	54"	1	301	1.11	21524	17049	8814	---	---	12.6	310
	EDP No.	Volt	Phase	Speed	Motor		Optional Accessories			EDP No.	Catalog No.
	42915	115/230	1	1	TE		Exhaust Shutter			22980	EASRMF-56
HA54JA	42918	230/460	3	1	TE		Supply Shutter			22691	WC54
	95120	---	---	---	Less Motor & Drive		Wall Collar			06892	WS54
							Rear Safety Guard			23645	54RG
							Front Safety Guard			23700	54FG
Catalog No.	Prop Dia.	HP	Fan RPM	Max BHP	Capacity (CFM) @ "SP					Max. Sones @ 5'	Ship Wt.
					0"	1/8"	1/4"	3/8"	1/2"		
	54"	1½	353	1.65	25243	21902	15939	---	---	16.2	313
	EDP No.	Volt	Phase	Speed	Motor		Optional Accessories			EDP No.	Catalog No.
	42927	115/230	1	1	TE		Exhaust Shutter			22980	EASRMF-56
HA54KA	42930	230/460	3	1	TE		Supply Shutter			22691	WC54
	95120	---	---	---	Less Motor & Drive		Wall Collar			06892	WS54
							Rear Safety Guard			23645	54RG
							Front Safety Guard			23700	54FG

Catalog No.	Prop Dia.	HP	Fan RPM	Max BHP	Capacity (CFM) @ "SP					Max. Sones @ 5'	Ship Wt.
					0"	1/8"	1/4"	3/8"	1/2"		
	54"	2	383	2.20	27388	24450	19521	12944	---	18.7	320
	EDP No.	Volt	Phase	Speed	Motor	Optional Accessories			EDP No.	Catalog No.	
	42936	230/460	3	1	TE	Exhaust Shutter			22980	EASRMF-56	
HA54MA	95120	---	---	---	Less Motor & Drive	Supply Shutter			22691	WC54	
						Wall Collar			06892	WS54	
						Rear Safety Guard			23645	54RG	
						Front Safety Guard			23700	54FG	
Catalog No.	Prop Dia.	HP	Fan RPM	Max BHP	Capacity (CFM) @ "SP					Max. Sones @ 5'	Ship Wt.
	54"	3	437	3.31	31250	28802	25241	20099	14178	23.4	370
	EDP No.	Volt	Phase	Speed	Motor	Optional Accessories			EDP No.	Catalog No.	
	42942	230/460	3	1	TE	Exhaust Shutter			22980	EASRMF-56	
HA54OA	95120	---	---	---	Less Motor & Drive	Supply Shutter			22691	WC54	
						Wall Collar			06892	WS54	
						Rear Safety Guard			23645	54RG	
						Front Safety Guard			23700	54FG	
Catalog No.	Prop Dia.	HP	Fan RPM	Max BHP	Capacity (CFM) @ "SP					Max. Sones @ 5'	Ship Wt.
	54"	5	527	5.50	37686	35717	33353	30099	25907	31.8	385
	EDP No.	Volt	Phase	Speed	Motor	Optional Accessories			EDP No.	Catalog No.	
	42951	230/460	1	1	TE	Exhaust Shutter			22748	WRHD54	
HA54PA	95120	---	---	---	Less Motor & Drive	Supply Shutter			22691	WC54	
						Wall Collar			06892	WS54	
						Rear Safety Guard			23645	54RG	
						Front Safety Guard			23700	54FG	

HA MODELS & ACCESSORIES CONTINUED FROM PAGE 41

Catalog No.	Prop Dia.	HP	Fan RPM	Max BHP	Capacity (CFM) @ "SP					Max. Sones @ 5'	Ship Wt.
					0"	1/8"	1/4"	3/8"	1/2"		
	54"	7 ½	600	8.13	42906	41174	39308	36935	33896	414	455
	EDP No.	Volt	Phase	Speed	Motor		Optional Accessories			EDP No.	Catalog No.
	42960	230/460	3	1	TE		Exhaust Shutter			22748	WRHD54
HA54QA	95120	---	---	---	Less Motor & Drive		Supply Shutter			22691	WC54
							Wall Collar			06892	WS54
							Rear Safety Guard			23645	54RG
							Front Safety Guard			23700	54FG
Catalog No.	Prop Dia.	HP	Fan RPM	Max BHP	Capacity (CFM) @ "SP					Max. Sones @ 5'	Ship Wt.
					0"	1/8"	1/4"	3/8"	1/2"		
	60"	1 ½	295	1.64	28923	24368	16985	---	---	22.1	395
	EDP No.	Volt	Phase	Speed	Motor		Optional Accessories			EDP No.	Catalog No.
	42969	115/230	1	1	TE		Exhaust Shutter			22981	EASRMF-62
HA60KA	42972	230/460	3	1	TE		Supply Shutter			22701	WC60
	95124	---	---	---	Less Motor & Drive		Wall Collar			06893	WS60
							Rear Safety Guard			23650	60RG
							Front Safety Guard			23705	60FG
Catalog No.	Prop Dia.	HP	Fan RPM	Max BHP	Capacity (CFM) @ "SP					Max. Sones @ 5'	Ship Wt.
					0"	1/8"	1/4"	3/8"	1/2"		
	60"	2	328	2.20	32158	28269	22401	---	---	26.1	400
	EDP No.	Volt	Phase	Speed	Motor		Optional Accessories			EDP No.	Catalog No.
	42981	230/460	3	1	TE		Exhaust Shutter			22981	EASRMF-62
HA60MA	95124	---	---	---	Less Motor & Drive		Supply Shutter			22701	WC60
							Wall Collar			06893	WS60
							Rear Safety Guard			23650	60RG
							Front Safety Guard			23705	60FG

Catalog No.	Prop Dia.	HP	Fan RPM	Max BHP	Capacity (CFM) @ "SP					Max. Sones @ 5'	Ship Wt.
					0"	1/8"	1/4"	3/8"	1/2"		
	60"	3	373	3.29	36570	33294	28826	22824	---	30.3	450
	EDP No.	Volt	Phase	Speed	Motor		Optional Accessories			EDP No.	Catalog No.
	42990	230/460	3	1	TE		Exhaust Shutter			22981	EASRMF-62
HA60OA	95124	---	---	---	Less Motor & Drive		Supply Shutter			22701	WC60
							Wall Collar			06893	WS60
							Rear Safety Guard			23650	60RG
							Front Safety Guard			23705	60FG
Catalog No.	Prop Dia.	HP	Fan RPM	Max BHP	Capacity (CFM) @ "SP					Max. Sones @ 5'	Ship Wt.
	60"	5	447	5.50	43825	41170	38024	33975	---	44.3	465
	EDP No.	Volt	Phase	Speed	Motor		Optional Accessories			EDP No.	Catalog No.
	43005	230/460	3	1	TE		Exhaust Shutter			22749	WRHD60
HA60PA	95124	---	---	---	Less Motor & Drive		Supply Shutter			22701	WC60
							Wall Collar			06893	WS60
							Rear Safety Guard			23650	60RG
							Front Safety Guard			23705	60FG
Catalog No.	Prop Dia.	HP	Fan RPM	Max BHP	Capacity (CFM) @ "SP					Max. Sones @ 5'	Ship Wt.
	60"	7 ½	510	8.18	50002	47680	45165	42090	38385	57.2	535
	EDP No.	Volt	Phase	Speed	Motor		Optional Accessories			EDP No.	Catalog No.
	43017	230/460	1	1	TE		Exhaust Shutter			22749	WRHD60
HA60QA	95124	---	---	---	Less Motor & Drive		Supply Shutter			22701	WC60
							Wall Collar			06893	WS60
							Rear Safety Guard			23650	60RG
							Front Safety Guard			23705	60FG

HA MODELS & ACCESSORIES CONTINUED FROM PAGE 43

Catalog No.	Prop Dia.	HP	Fan RPM	Max BHP	Capacity (CFM) @ "SP					Max. Sones @ 5'	Ship Wt.
					0"	1/8"	1/4"	3/8"	1/2"		
	60"	10	570	11.31	55885	53786	51667	49180	46262	68.5	555
	EDP No.	Volt	Phase	Speed	Motor		Optional Accessories		EDP No.	Catalog No.	
	43026	230/460	3	1	TE		Exhaust Shutter	22749	WRHD60		
HA60RA	95124	---	---	---	Less Motor & Drive		Supply Shutter	22701	WC60		
							Wall Collar	06893	WS60		
							Rear Safety Guard	23650	60RG		
							Front Safety Guard	23705	60FG		

EASR / WC SELECTION / INSTALLATION INFORMATION AND CAUTIONS: The velocity profile near the fan blade tips (spot velocity is non-uniform and will vary by fan model. This spot velocity condition can damage a backdraft damper if it exceeds the maximum recommended backdraft damper velocity. For this reason, it is recommended that the backdraft damper be mounted a minimum of 1/3 the fan diameter away from the fan outlet. It is a good practice to contact the factory when applications have a velocity approaching the maximum allowed, when the fan motor horsepower is 7-1/2HP and above, or when the fan spot velocity is in excess of the backdraft damper's maximum velocity. See page 79 for WRHD Heavy Duty Shutter information. Note: When an EASR or WC Shutter is used for exhaust or supply and mounted remotely from the fan, a WS Wall Collar is not needed. The shutter is installed directly on the wall, and a Motor Actuator Kit must be utilized.

WR HEAVY-DUTY EXHAUST SHUTTERS

EDP No.	Catalog No.	Shutter Size	Number of Panels	Motor Kit (Required number of WRHD)
22746	WRHD42	44" x 44"	2	MK-4621 (1)
22747	WRHD48	50" x 50"	2	MK-4621 (1)
22748	WRHD54	56" x 56"	2	MK-4621 (1)
22749	WRHD60	62" x 62"	3	MK-4620 & MK-4621



ROOF-MOUNTED & SPECIALTY VENTILATION UNITS

ROOF-MOUNTED

UPBLAST	46
DIRECT DRIVE PROPELLER	50
CENTRIFUGAL	52
GRAVITY RELIEF VENTS	56

SPECIALTY VENTILATION

TUBE AXIAL	58
IN-LINE CENTRIFUGAL DUCT	74

UPBLAST PROPELLER ROOF VENTILATOR

DIRECT DRIVE UP MODELS 1 Year Warranty

Direct Drive Model is engineered for reliable general ventilation, efficiently discharging heat, fumes, and moisture high above the roofline while featuring a totally enclosed motor, magnetic-latched aluminum dampers to minimize flutter, a leak-proof welded base with no bolt holes, weatherproof drain trough, rigid bearing bracket with oilite damper bearings, internal condensation drain, and all-metal construction for permanent alignment, rattle-free operation, and simplified installation with lifting lugs on larger units.



All Metal Assembly,
Rattle Free
Operation



Totally Enclosed
Motor



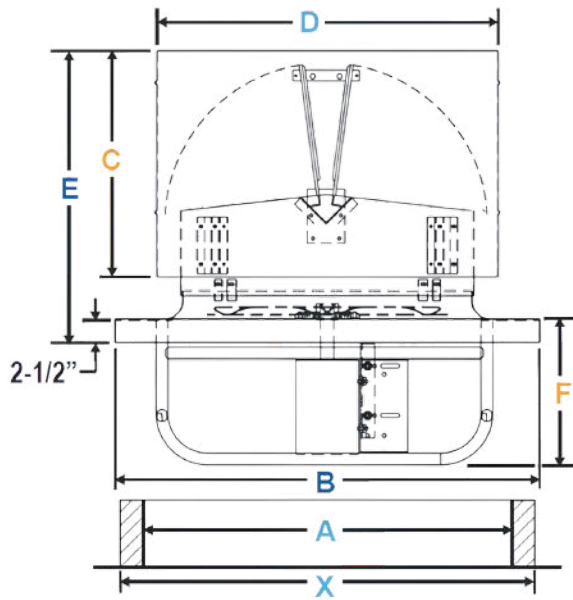
Leak-Proof Base,
No Bolt Holes



Weatherproof
Streamlined Drain
Trough



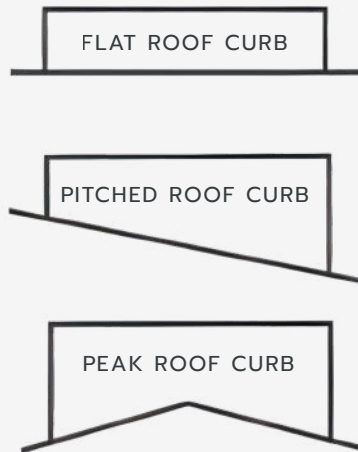
EDP No.	Catalog No.	Prop Dia.	HP	RPM	Capacity (CFM) @ "SP in W.G.			Max BHP	Ship Wt.
					0"	1/8"	1/4"		
30250	UP18H-G3	18"	1/2	1750	3853	3550	3215	0.57	186
30400	UP18H-G8								
30260	UP24H-F3	24"	1/3	1150	4495	3948	---	1.36	230
30410	UP24H-F8								
30270	UP24H-I3	24"	1	1750	6847	6482	6126	0.94	243
30420	UP24H-I8								
30280	UP30H-H3	30"	3/4	1150	9802	8885	7597	0.64	285
30430	UP30H-H8								
30440	UP30H-K8	30"	2	1750	14910	14368	13752	2.25	306
30450	UP36H-I8	36"	1	1150	10194	8961	---	0.70	370
30460	UP36H-L8	36"	3	1750	15500	14640	13840	2.45	419
30470	UP42H-I8	42"	1	850	14640	13222	11985	0.94	500
30480	UP42H-K8	42"	2	1150	17618	16879	16019	1.99	500
30490	UP42H-M8	42"	5	1150	26150	25120	24040	4.35	569
30500	UP48H-K8	48"	2	850	21840	20200	18400	1.76	575
30510	UP48H-M8	48"	5	1150	29500	28300	27100	4.58	646
30520	UP60H-L8	60"	3	850	32200	29775	27550	2.30	775



DIMENSIONS

Prop Dia.	A Min.	B	C	D	E	F	X Max.
18"	24	33	18	24	22	9.25	32
24"	31	39	22	30	26	10.5	38
30"	37	45	25	36	29	14.75	44
36"	43	51	28	42	32	14.75	50
42"	50	57	32	48	36	17.75	56
48"	55	63	34	54	38	18	62
60"	66	75	42	66	46	18	74

ROOF CURBS FOR UP & UPB MODELS



EDP No.	Catalog No.	Prop Dia.	Description	Ship Wt.
31050	PACN31.5-8	18"	31½" x 31½" x 8" Insulated Steel Curb	34
31055	PACN37.5-8	24"	37½" x 37½" x 8" Insulated Steel Curb	39
31060	PACN43.5-8	30"	43½" x 43½" x 8" Insulated Steel Curb	45
31065	PACN49.5-8	36"	49½" x 49½" x 8" Insulated Steel Curb	50
31070	PACN55.5-8	42"	55½" x 55½" x 8" Insulated Steel Curb	60
31075	PACN61.5-8	48"	61½" x 61½" x 8" Insulated Steel Curb	67
31080	PACN73.5-8	60"	73½" x 73½" x 8" Insulated Steel Curb	85

PACN Curbs do not have a Damper Shelf. For dimension data, see page 73. Speed (RPM) in nominal. Performance is based on the test's actual speed. Performance ratings do not include the effects of appurtenances in the airstream. Power ratings (BHP) do not include drive losses. Pitched Roof Curb price: Flat Roof Curb Price x 1.67. Peaked Roof Curb price: Flat Roof Curb Price x 2.22. For pricing of Pitched or Peaked Roof Curbs greater than 8" in height, consult the factory. Please specify Pitched or Peaked when ordering. Metal roofs: consult the factory for sizing and pricing.

UPBLAST PROPELLER ROOF VENTILATOR

BELT DRIVE UPB MODELS 1 Year Warranty

Belt Drive Model is engineered for dependable general ventilation in commercial and industrial applications. Its belt-driven design allows for adjustable airflow through pulley changes, giving you greater flexibility to fine-tune performance to your specific system requirements. By isolating the motor from the direct airstream, the belt drive configuration also helps reduce heat exposure and can contribute to longer motor life in more demanding environments.



All Metal Assembly,
Rattle Free
Operation



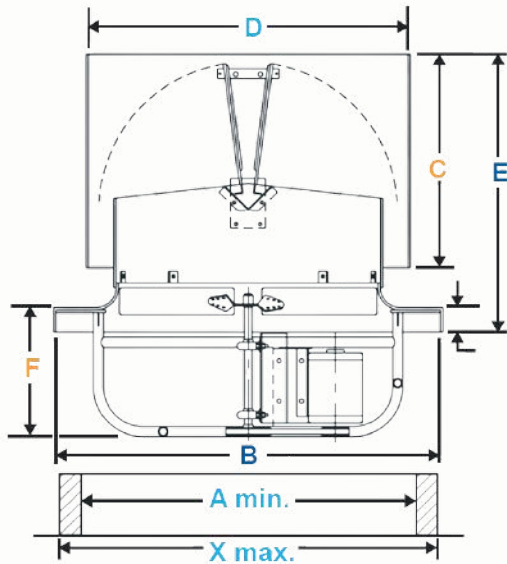
Totally Enclosed
Motor



Leak-Proof Base,
No Bolt Holes



Weatherproof
Streamlined Drain
Trough



DIMENSIONS

Prop Dia.	A Min.	B	C	D	E	F	X Max.
18"	24	33	18	24	22	--	32
24"	31	39	22	30	26	14	38
30"	37	45	25	36	29	14	44
36"	43	51	28	42	32	14	50
42"	50	57	32	48	36	14	56
48"	55	63	34	54	38	15	62
60"	66	75	42	66	46	15	74

EDP No.	Catalog No.	Prop Dia.	HP	RPM	Capacity (CFM) @ "SP in W.G.			Max BHP	Ship Wt.
					0"	1/8"	1/4"		
30600	UPB24R-G3	24"	1/2	985	5652	4967	4152	0.57	270
30850	UPB24R-G8								
30610	UPB24R-H3	24"	3/4	1133	6501	5940	5309	0.74	270
30860	UPB24R-H8								
30620	UPB24R-I3	24"	1	1256	7207	6690	6121	1.01	270
30870	UPB24R-I8								
30630	UPB30R-H3	30"	3/4	773	8870	7900	6493	0.77	330
30880	UPB30R-H8								
30640	UPB30R-I3	30"	1	849	9742	8944	7836	1.02	330
30890	UPB30R-I8								
30650	UPB30R-J3	30"	1 1/2	979	11233	10730	9644	1.57	330
30900	UPB30R-J8								
30910	UPB30R-K8	30"	2	1085	12449	12072	11061	2.13	330
30670	UPB36R-I3	36"	1	661	12367	10698	9401	0.97	375
30920	UPB36R-I8								
30680	UPB36R-J3	36"	1 1/2	767	14350	13024	11250	1.51	375
30930	UPB36R-J8								
30940	UPB36R-K8	36"	2	857	16033	14810	13804	2.11	375
30950	UPB36R-L8	36"	3	981	18353	17355	16406	3.17	375
30960	UPB36R-M8	36"	5	1172	21927	21057	20291	5.4	375
30720	UPB42R-J3	42"	1 1/2	598	17332	15616	13557	1.39	525
30970	UPB42R-J8								
30980	UPB42R-K8	42"	2	670	19418	17958	16174	1.95	525
30990	UPB42R-L8	42"	3	781	22635	21475	19943	3.09	525
31000	UPB42R-M8	42"	5	928	26896	25994	24767	5.18	525
31010	UPB48R-L8	48"	3	633	27124	25307	22865	2.99	600
31020	UPB48R-M8	48"	5	660	30516	28662	26807	3.96	600
31030	UPB60R-L8	60"	3	394	36216	31488	26008	3.04	800
31040	UPB60R-M8	60"	5	473	43478	39543	35691	5.25	800

DIRECT DRIVE PROPELLER ROOFTOP EXHAUST FANS

ARD MODELS 1 Year Warranty

Designed for roof mounting, the ARD series combines expert construction with practical features to make installation and operation simple. The spun aluminum housing and aluminum-bladed propellers ensure long-lasting performance, while integral vibration isolators minimize noise and stress on the structure.



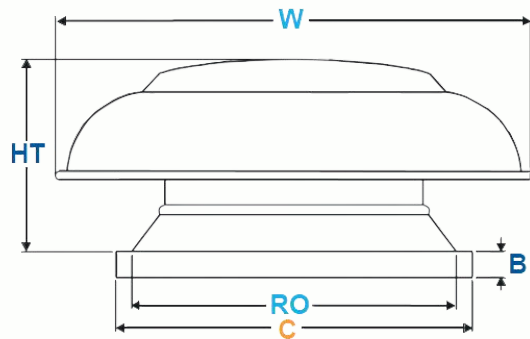
Standard Bird Screen Protection



Direct Drive Design Reduces Maintenance



Aluminum-bladed Propellers



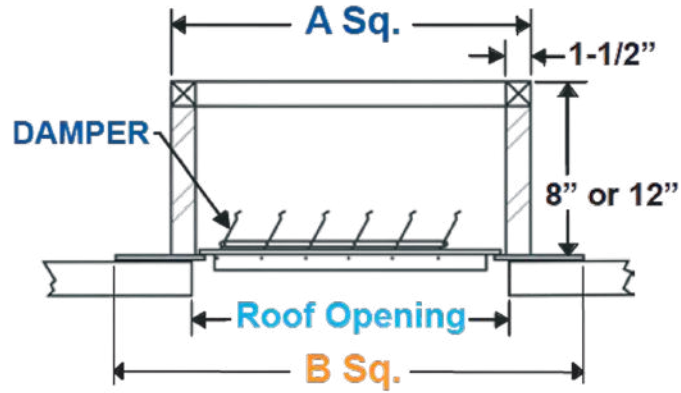
Prop Dia.	Catalog No.	ARD Dimensions (in.)				
		Ht	W	B	C	RO or WO
10"	ARD100	9"	18"	2"	19"	13"
12"	ARD120	11"	21 1/2"	2"	19"	13"
14"	ARD140	14"	27"	2"	21"	16"
18"	ARD180	16"	34"	2"	26"	20"

115 V, 1 SPEED, 1-PHASE, OPEN DRIP PROOF (ODP)

EDP No.	Catalog No.	Prop Dia.	HP	RPM	Capacity (CFM) @ "SP in W.G.								Ship Wt.
					0"	1/8"	1/4"	3/8"	1/2"	5/8"	3/4"	1"	
32644	ARD100XB	10"	1/30	1500	525	330	225	140	---	---	---	---	12
32645	ARD120XB	12"	1/10	1500	830	700	620	510	430	350	250	80	20
32646	ARD140BC	14"	.17	1100	1160	880	790	650	520	390	240	---	34
32647	ARD180DC	18"	1/3	1100	2420	2000	1610	1500	1300	1050	890	410	46

Performance shown is for installation type A: Free Inlet, Free Outlet. Performance ratings do not include the effects of appurtenances in the airstream. Power rating (BHP) does not include transmission losses.

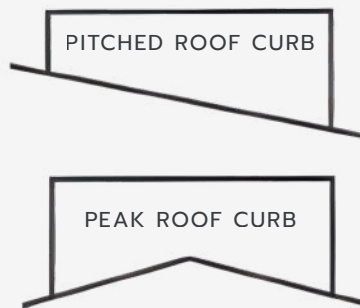
ARD MODEL ACCESSORIES AND MOUNTING OPTIONS



ROOF MOUNT DAMPER

EDP No.	Catalog No.	Used with ARD Models Catalog No.	Ship Wt.
31100	BD14.5A	ARD100XB ARD120XB	3
31101	BD16.75A	ARD140BC	4
31102	BD21.75A	ARD180DC	5

CURBS



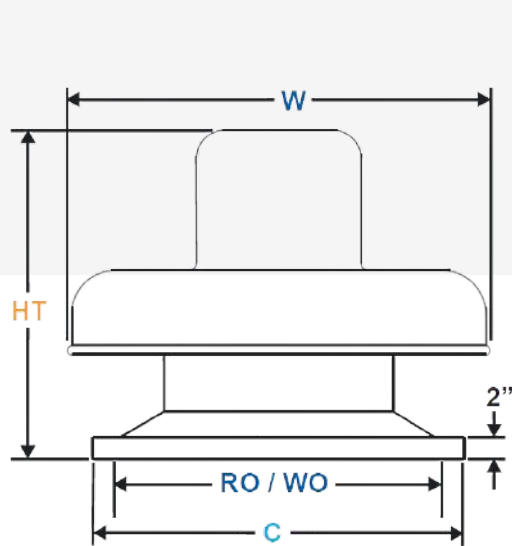
EDP No.	Catalog No.	Curb Size	Use with ARD Models Catalog No.	Curb Dimensions			
				A Sq.	B Sq.	Roof Opening	Damper Catalog No.
31100	PACA17.75-8	8"	ARD100XB ARD120XB	17 3/4"	23 3/4"	13"	BD14.5A
31101	PACA17.75-12	12"	ARD100XB ARD120XB	17 3/4"	23 3/4"	13"	BD14.5A
31102	PACA20-8	8"	ARD140BC	20"	24"	16"	BD16.75A
31103	PACA20-12	12"	ARD140BC	20"	24"	16"	BD16.75A
31110	PACA25-8	8"	ARD180DC	25"	29"	20"	BD21.75A
31111	PACA25-12	12"	ARD180DC	25"	29"	20"	BD21.75A

Notes: Pitched and Peaked Curbs Available. For Pitched Roof Curb Price, multiply fl at roof curb price by 1.67. For Peaked Roof Curb Price, multiply fl at roof curb price by 2.22. Please specify Pitched or Peaked when ordering. Metal roofs, consult factory for sizing and pricing. Wall Mount Brackets Available, contact factory.

CENTRIFUGAL DIRECT DRIVE EXHAUST FANS

CDD MODELS 1 Year Warranty

Ideal for roof or wall mounting, the CDD series combines practical features with precision engineering to keep your workspace ventilated, safe, and productive. The non-overloading, backward-inclined wheel and direct-drive motor ensure long-term reliability with minimal maintenance.



Standard Bird Screen Protection



Variable Speed Control



Quiet Operation Even at Higher Static Pressures

115 V, 1 SPEED, 1-PHASE, OPEN DRIP PROOF (ODP)

Catalog No.	CDD Dimensions (in.)				
	Ht	W	B	C	RO or WO
CDD100	14 1/2"	20 3/4"	2"	19"	13"
CDD120	16 1/4"	23 3/4"	2"	19"	13"
CDD300B-2	19 1/8"	26 1/4"	2"	21"	16"
CDD330B-2	19 1/8"	26 1/4"	2"	21"	16"
CDD550B-2	21 3/4"	29 3/4"	2"	21"	16"

EDP No.	Catalog No.	Wheel Dia.	HP	RPM	Max Sones	Capacity (CFM) @ "SP in W.G.								Ship Wt
						0"	1/8"	1/4"	3/8"	1/2"	5/8"	3/4"	1"	
32446	CDD100-2	9"	1/10	1600	7.4	510	470	425	370	300	175	---	---	30
32447	CDD120-2	10 1/2"	.18	1600	12.2	945	880	800	725	650	550	---	---	35
32727	CDD300B-2	10 3/4"	1/6	1625	13.4	1410	1340	1265	1190	1110	1040	950	790	45
32449	CDD330B-2	11 3/4"	1/3	1600	14.2	1310	1250	1190	1110	1030	950	860	680	45
32451	CDD550B-2	12"	1/2	1600	17.4	2400	2300	2210	2120	2050	1910	1850	1600	50

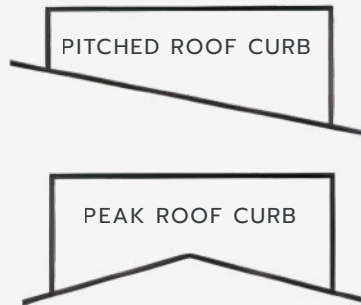
*Performance shown is for installation type A: Free inlet, Free outlet. Performance ratings do not include the effects of appurtenances in the airstream. Power rating (BHP) does not include transmission losses. The sound ratings shown are loudness in values in fan sones at 5 ft (1.5 m) in a hemispherical free field calculated per AMCA Standard 301. Values shown are for Installation Type A; Free inlet hemispherical sone levels.

CDD MODEL ACCESSORIES AND MOUNTING OPTIONS

GRAVITY DAMPER & ACCESSORIES

EDP No.	Catalog No.	Used with CDD Models Catalog No.	Ship Wt.
32452	BD14.5A	CDD100-2, CDD120-2	3
32453	BD16.75A	CDD300B-2, CDD330B-2, CDD550B-2	4
94283	---	CDD100-2, CDD120-2, CDD300B-2, CDD330B-2, CDD550B-2	5

CURBS



EDP No.	Catalog No.	Curb Size	Use with CDD Models Catalog No.			Curb Dimensions			
						A Sq.	B Sq.	Roof Opening	Damper Catalog No.
31100	PACA17.75-8	8"	CDD100-2	CDD120-2		17 3/4"	23 3/4"	13"	BD14.5A
31101	PACA17.75-12	12"	CDD100-2	CDD120-2		17 3/4"	23 3/4"	13"	BD14.5A
31102	PACA20-8	8"	CDD300B-2	CDD330B-2	CDD550B-2	20"	24"	16"	BD16.75A
31103	PACA20-12	12"	CDD300B-2	CDD330B-2	CDD550B-2	20"	24"	16"	BD16.75A

*Curb Hinge Available - EDP No. 62000

Notes: Pitched and Peaked Curbs Available. For Pitched Roof Curb Price, multiply fl at roof curb price by 1.67. For Peaked Roof Curb Price, multiply fl at roof curb price by 2.22. Please specify Pitched or Peaked when ordering. Metal roofs, consult factory for sizing and pricing. Wall Mount Brackets Available, contact factory.

CENTRIFUGAL DIRECT DRIVE UPBLAST / WALL

CDU MODELS 1 Year Warranty

Engineered for both roof and wall mounting, these fans provide a compact, quiet, and versatile solution for industrial and commercial applications. With a non-overloading backward-inclined wheel and direct-drive motor, the CDU series ensures long-term reliability with minimal maintenance. Integrated rubber vibration isolators keep operation quiet, while variable speed control allows precise airflow adjustments to suit your space.



High Vertical Discharge for Cleaner Airflow



Compact, Space-Saving Design



Quiet Operation from Vibration Isolators



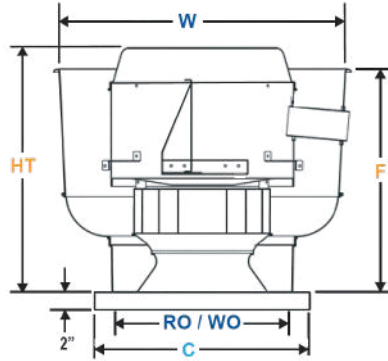
115 V, 1 SPEED, 1-PHASE, OPEN DRIP PROOF (ODP)

EDP No.	Catalog No.	Wheel Dia.	HP	RPM	Tip Speed	Capacity (CFM) at "SP										Max Sones	Ship Wt.
						0"	1/8"	1/4"	3/8"	1/2"	5/8"	3/4"	1"	1 1/4"	1 1/2"		
32637	*CDU100-2	8 3/4"	.08	1600	3770	537	493	447	398	343	280	204	---	---	---	9.0	30
32638	CDU120-2	10 1/2"	.08	1525	4192	870	840	760	700	600	500	360	---	---	---	11.0	40
32642	CDU300B-2	11 3/4"	1/4	1525	4691	1210	1150	1100	1050	990	900	840	610	---	---	12.0	50
32728	CDU330B-2	11 3/4"	1/2	1700	5229	1390	1345	1270	1220	1150	1060	1000	840	650	---	14.7	50
32643	CDU500B-2	13 3/4"	1/2	1650	5940	2100	---	2000	---	1800	---	1600	1350	1100	750	18.9	55

*CDU100-2 is UL 705 Listed. Performance shown is for installation type A: Free inlet, Free outlet. Performance ratings do not include the effects of appurtenances in the airstream. Power rating (BHP) does not include transmission losses. The sound ratings shown are loudness values in fan sones at 5 ft. (1.5m) in a hemispherical free field calculated per AMCA Standard 301. Values shown are for Installation Type A: Free inlet hemispherical sone levels. Variable speed control allows for 50% range of stated CFM. Speed control can be wired for low or high speed. Performance shown is for installation Type A; Free Inlet, Free Outlet. Performance includes the effect of bird screen in the airstream. Speed (RPM) shown is nominal, and performance is based on the actual speed of the test.

CDU MODEL & ACCESSORIES

CDU DIMENSIONS



Catalog No.	CDU Dimensions (in.)				
	Ht	W	C	F	RO or WO
CDU100-2	14 ½	17 ¾	19	9 ½	13
CDU120-2	18	22	19	14 ½	13
CDU300B-2	25 ¾	25 ½	21	18 ½	16
CDU330B-2	25 ¾	25 ½	21	18 ½	16
CDU500B-2	27 ¾	28 ¾	21	21 ½	16

ROOF MOUNT DAMPER MOTOR KIT

EDP No.	Catalog No.
94283	Motor Kit

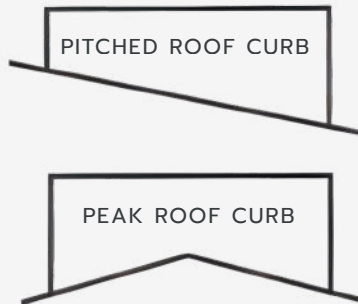
WALL / ROOF GRAVITY DAMPER

EDP No.	Catalog No.	Use with CDU Catalog No.			Ship Wt.
32452	BD14.5A	CDU100-2	CDU120-2		3
32453	BD16.75A	CDU300B-2	CDU330B-2	CDU550B-2	4

ACCESSORIES

EDP No.	Catalog No.	Description
62000	Curb Hinge	Curb Hinge
62001	Bird Screen	Bird Screen for CDU100 - 120
62002	Bird Screen	Bird Screen for CDU300 - 500
62003	Grease Box	Grease Box

CURBS



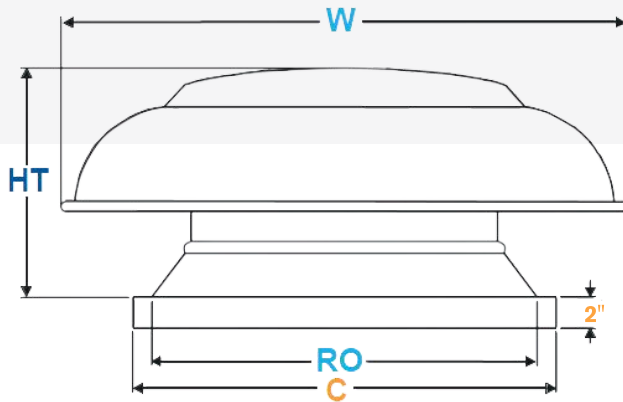
EDP No.	Catalog No.	Curb Size	Curb Dimensions				Use with CDU Catalog No.			Ship Wt.
			A Sq.	B Sq.	Roof Opening	Damper Cat No.				
31100	PACA17.75-8	8"	17 ¾"	23 ¾"	13"	BD14.5A	CDU100-2		CDU120-2	17
31101	PACA17.75-12	12"					CDU100-2		CDU120-2	
31102	PACA20-8	8"	20"	24"	16"	BD16.75A	CDU300B-2	CDU330B-2	CDU550B-2	20
31104	PACA20-12	12"					CDU300B-2	CDU330B-2	CDU550B-2	

Notes: Pitched and Peaked Curbs Available. For Pitched Roof Curb Price, multiply fl at roof curb price by 1.67. For Peaked Roof Curb Price, multiply fl at roof curb price by 2.22. Please specify Pitched or Peaked when ordering. Metal roofs, consult factory for sizing and pricing. Wall Mount Brackets Available, contact factory.

NON-POWERED GRAVITY RELIEF VENT

EGRV MODELS Unit Has No Motor

The Non-Powered Gravity Relief Vent provides a simple, energy-free solution for pressure relief and natural exhaust in commercial and industrial facilities. Designed to open automatically under positive building pressure and close securely when pressure equalizes, this vent protects structures from over-pressurization while preventing unwanted backdrafts. Ideal for use in warehouses, manufacturing plants, and facilities with powered supply air systems, the Non-Powered Gravity Relief Vent maintains balanced airflow, safeguards building integrity, and supports efficient ventilation system performance.



EDP No.	Catalog No.	Approx Throat Dia.	CFM*	EGRV Dimensions					Ship Wt.
				Ht	W	C	Roof Opening	Approx. Throat Opening in Sq. Ft	
32443	EGRV120	12"	1000	11"	20.3"	18 1/2"	13"	0.79	21
32444	EGRV140	14"	1475	14"	27.3"	21"	16"	1.07	33
32445	EGRV180	18"	2400	16"	33.5"	26"	20"	1.97	55

*Approximate CFM at 1200 FPM throat velocity.

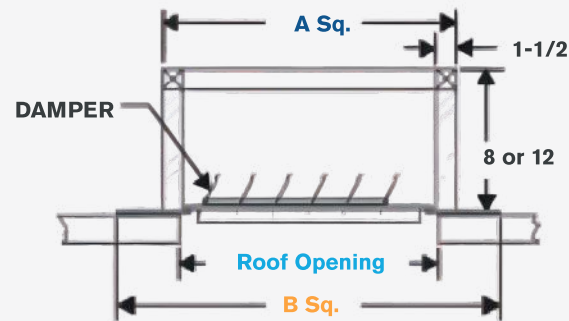
EGRV MODEL ACCESSORIES AND MOUNTING

EXHAUST BACKDRAFT DAMPER WITH MOTOR KIT

EDP No.	Catalog No.	Use with EGRV Catalog No.	Ship Wt.
32452	BD14.5A	EGRV120	3
32453	BD16.75A	EGRV140	4
32454	BD21.75A	EGRV180	8
94283	Motor Kit	EGRV120, EGRV140, EGRV180	5

**Use motorized damper only. Bird Screen standard on EGRV models.

CURBS



EDP No.	Catalog No.	Curb Size	Curb Dimensions				Use with EGRV Catalog No.	Ship Wt.
			A Sq.	B Sq.	Roof Opening	Damper Cat. No.		
31100	PACA17.75-8	8"	17 ¾"	23 ¾"	13"	BD14.5A	EGRV120	17
31102	PACA20-8	8"	20"	24"	16"	BD16.75A	EGRV140	20
31110	PACA25-8	8"	25"	29"	20"	BD21.75A	EGRV180	26

TUBE AXIAL FANS

DIRECT DRIVE PLDA MODELS 1 Year Warranty

When you need airflow that's fast, reliable, and low-maintenance, the Airmaster PLDA series delivers. These direct-drive ventilation fans are engineered to maximize performance with minimal upkeep, delivering consistent, powerful airflow in demanding industrial and commercial environments



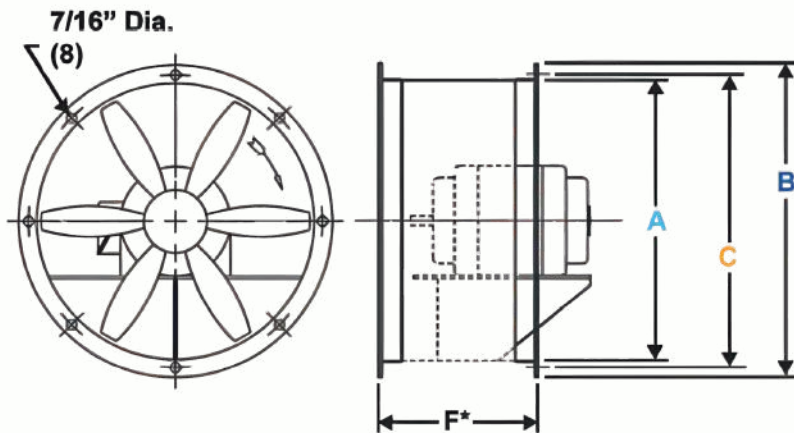
Direct Drive Motor Design



Spark-Resistant Cast Aluminum Propellers



Easy Duct Mounting, Fast Installation



Prop Dia.	Dimensions (in.)			
	A	B	C	F*
12"	12	14	13	14
18"	18	20	19	14
24"	24	27	25.625	18
27"	27	30	28.625	18
30"	30	33	31.625	18
34"	34	37	35.625	18
42"	42	45	43.625	18
48"	48	51	49.625	18

TOTALLY ENCLOSED, SINGLE SPEED MOTOR

Motor Voltage Key	
1 Phase	115/230V
3 Phase	230/460V

EDP No.	Catalog No.	Prop Dia.	HP	Fan RPM	Capacity (CFM) @ "SP in W.G.						Ship Wt.
					0"	1/8"	1/4"	3/8"	1/2"	3/4"	
32002	PLDA12FZ	12"	1/2	3450	1875	1650	1400	1320	1250	1100	41
32003											
32008	PLDA12HZ	12"	3/4	3450	2044	1960	1620	1820	1650	1500	50
32009											
32014	PLDA18CA	18"	1/4	1725	3450	3050	2500	1200	---	---	60
32015											
32020	PLDA18DA	18"	1/3	1725	3315	3000	2600	2000	1400	---	90
32021											
32026	PLDA18JA	18"	1	1725	4600	4375	4080	3600	3000	2100	100
32027											
32032	PLDA24CA	24"	1/4	1725	5200	4200	2820	1050	---	---	96
32033											
32038	PLDA24DC	24"	1/3	1140	4975	4690	4250	3920	2850	---	100
32039											
32044	PLDA24FA	24"	1/2	1725	6510	5880	5200	4150	3100	1800	114
32045											
32051	PLDA24HC	24"	3/4	1140	6900	6450	6265	5600	3300	---	120
32052											
32057	PLDA24JA	24"	1	1725	7425	7000	6350	5850	5000	3300	150
32058											
32062	PLDA24OA	24"	3	1725	10500	9800	9500	9100	8700	7800	190
32066	PLDA27FA	27"	1/2	1725	7550	6829	6000	5100	4000	2000	122
32067											
32073	PLDA27JA	27"	1	1725	9600	9000	8400	7775	7050	4800	152
32074											

CONTINUED ON PAGE 60

TOTALLY ENCLOSED, SINGLE SPEED MOTOR

CONTINUED FROM PAGE 59

Motor Voltage Key	
1 Phase	115/230V
3 Phase	230/460V

EDP No.	Catalog No.	Prop Dia.	HP	Fan RPM	Capacity (CFM) @ "SP in W.G.						Ship Wt.
					0"	1/8"	1/4"	3/8"	1/2"	3/4"	
32079	PLDA27MA	27"	2	1725	11500	11200	10700	10000	9300	8000	175
32080											
32085	PLDA30FA	30"	1/2	1725	8980	7650	6300	5400	4350	2300	128
32086											
32091	PLDA30HC	30"	3/4	1140	10440	9750	8750	7640	6000	---	185
32092											
32097	PLDA30MA	30"	2	1725	12000	11250	10450	9600	8700	6000	180
32098											
32102	PLDA30MC	30"	2	1140	14000	13750	12900	11850	10450	2500	180
32105	PLDA30OA	30"	3	1725	16000	15350	14700	13850	12900	10200	200
32109	PLDA34KA	34"	1½	1725	13350	12100	10000	9100	7300	---	190
32110											
32115	PLDA34MA	34"	2	1725	14850	13600	12100	10450	8800	4000	200
32116											
32120	PLDA34MC	34"	2	1140	15950	15100	13800	12500	11400	---	200
32123	PLDA34OC	34"	3	1140	19300	18290	17230	16000	14800	11614	250
32126	PLDA42JD	42"	1	870	15800	15200	13480	12310	5800	9000	260
32128	PLDA42MC	42"	2	1140	17964	17277	15326	13990	12351	7600	252
32131	PLDA42MD	42"	2	870	22040	21000	20500	18500	15000	6000	260
32133	PLDA42PC	42"	5	1140	28970	27960	26840	25700	24200	19500	300
32136	PLDA48OC	48"	3	1140	28600	26500	24400	22000	20000	15900	290
32138	PLDA48OD	48"	3	870	28700	26500	24200	21600	18500	10000	290
32140	PLDA48PD	48"	5	870	33000	31500	29750	27650	25300	18000	310

EXPLOSION-PROOF, SINGLE SPEED MOTORS

Motor Voltage Key

1 Phase	115/230V
3 Phase	230/460V

EDP No.	Catalog No.	Prop Dia.	HP	Fan RPM	Capacity (CFM) @ "SP in W.G.						Ship Wt.
					0"	1/8"	1/4"	3/8"	1/2"	3/4"	
32004	PLDA12FZ	12"	1/2	3450	1875	1650	1400	1320	1250	1100	41
32005											
32010	PLDA12HZ	12"	3/4	3450	2044	1960	1620	1820	1650	1500	50
32011											
32016	PLDA18CA	18"	1/4	1725	3450	3050	2500	1200	---	---	60
32017											
32022	PLDA18DA	18"	1/3	1725	3315	3000	2600	2000	1400	---	90
32023											
32028	PLDA18JA	18"	1	1725	4600	4375	4080	3600	3000	2100	100
32029											
32034	PLDA24CA	24"	1/4	1725	5200	4200	2820	1050	---	---	96
32035											
32040	PLDA24DC	24"	1/3	1140	4975	4690	4250	3920	2850	---	100
32041											
32046	PLDA24FA	24"	1/2	1725	6510	5880	5200	4150	3100	1800	114
32047											
32053	PLDA24HC	24"	3/4	1140	6900	6450	6265	5600	3300	---	120
32054											
32059	PLDA24JA	24"	1	1725	7425	7000	6350	5850	5000	3300	150
32060											
32063	PLDA24OA	24"	3	1725	10500	9800	9500	9100	8700	7800	190
32068	PLDA27FA	27"	1/2	1725	7550	6829	6000	5100	4000	2000	122
32069											

CONTINUED ON PAGE 62

EXPLOSION-PROOF, SINGLE SPEED MOTORS

CONTINUED FROM PAGE 61

Motor Voltage Key	
1 Phase	115/230V
3 Phase	230/460V

EDP No.	Catalog No.	Prop Dia.	HP	Fan RPM	Capacity (CFM) @ "SP in W.G.						Ship Wt.
					0"	1/8"	1/4"	3/8"	1/2"	3/4"	
32075	PLDA27JA	27"	1	1725	9600	9000	8400	7775	7050	4800	152
32076											
32081	PLDA27MA	27"	2	1725	11500	11200	10700	10000	9300	8000	175
32082											
32087	PLDA30FA	30"	1/2	1725	8980	7650	6300	5400	4350	2300	128
32088											
32093	PLDA30HC	30"	3/4	1140	10440	9750	8750	7640	6000	---	185
32094											
32100	PLDA30MA	30"	2	1725	12000	11250	10450	9600	8700	6000	180
32103	PLDA30MC	30"	2	1140	14000	13750	12900	11850	10450	2500	180
32106	PLDA30OA	30"	3	1725	16000	15350	14700	13850	12900	10200	200
32111	PLDA34KA	34"	1½	1725	13350	12100	10000	9100	7300	---	190
32112											
32118	PLDA34MA	34"	2	1725	14850	13600	12100	10450	8800	4000	200
32121	PLDA34MC	34"	2	1140	15950	15100	13800	12500	11400	---	200
32124	PLDA34OC	34"	3	1140	19300	18290	17230	16000	14800	11614	250
32129	PLDA42MC	42"	2	1140	17964	17277	15326	13990	12351	7600	252
32134	PLDA42PC	42"	5	1140	28970	27960	26840	25700	24200	19500	300

PLDA MODEL ACCESSORIES

EDP No.	Prop Dia.	Description
32141	12"	Matching Flange (1 ea.)
32146	18"	Matching Flange (1 ea.)
32152	24"	Matching Flange (1 ea.)
32157	27"	Matching Flange (1 ea.)
32162	30"	Matching Flange (1 ea.)
32167	34"	Matching Flange (1 ea.)
32173	42"	Matching Flange (1 ea.)
32178	48"	Matching Flange (1 ea.)
32147	18"	Inspection Door
32153	24"	Inspection Door
32158	27"	Inspection Door
32163	30"	Inspection Door
32168	34"	Inspection Door
32174	42"	Inspection Door
32179	48"	Inspection Door
32143	12"	Guard (each)
32148	18"	Guard (each)
32154	24"	Guard (each)
32159	27"	Guard (each)

EDP No.	Prop Dia.	Description
32164	30"	Guard (each)
32169	34"	Guard (each)
32175	42"	Guard (each)
32180	48"	Guard (each)
32144	12"	Epoxy Coating
32149	18"	Epoxy Coating
32155	24"	Epoxy Coating
32160	27"	Epoxy Coating
32165	30"	Epoxy Coating
32171	34"	Epoxy Coating
32176	42"	Epoxy Coating
32181	48"	Epoxy Coating
32145	12"	Cont. Weld of Flange to Drum
32151	18"	Cont. Weld of Flange to Drum
32156	24"	Cont. Weld of Flange to Drum
32161	27"	Cont. Weld of Flange to Drum
32166	30"	Cont. Weld of Flange to Drum
32172	34"	Cont. Weld of Flange to Drum
32177	42"	Cont. Weld of Flange to Drum
32182	48"	Cont. Weld of Flange to Drum

TUBE AXIAL FANS

BELT DRIVE PLDXA MODELS 1 Year Warranty

When air movement is mission-critical, the Airmaster PLDXA Series delivers industrial-strength performance you can count on. Designed for demanding ventilation applications, these fans combine refined construction with precision engineering to keep air flowing efficiently and reliably, even in the harshest environments.

Available in propeller sizes from 12" to 48", PLDXA models offer both single and three-phase options, plus your choice of Totally Enclosed or Explosion-Proof motors for safe operation in any setting. Every component is built for durability and serviceability, ensuring long-term value and peace of mind.



Explosion-Proof Motor Option



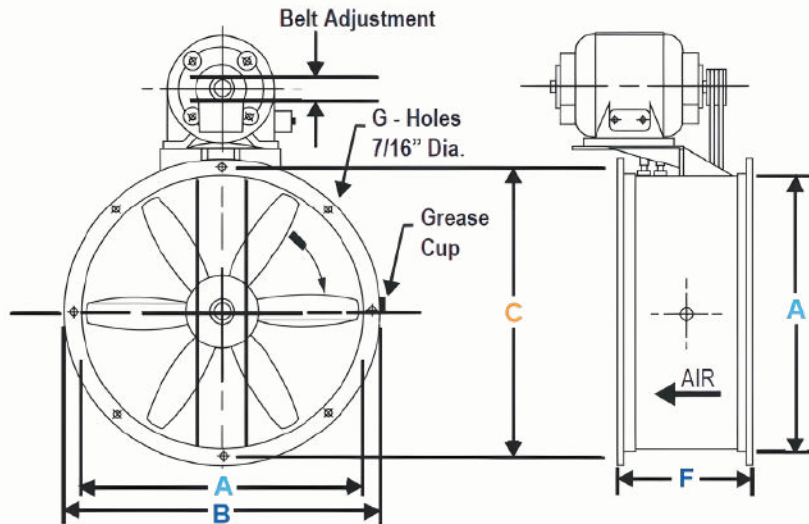
Air-tight Cylinder Protects from Debris



Easy Duct Mounting, Fast Installation



Spark-Resistant Cast Aluminum Propellers



Model	Dimensions (in.)				
	A	B	C	F	
12"	12	14	13	12	
15"	15	17	16	12	
18"	18	20	19	12	
24"	24	27	25.625	12	16*
27"	27	30	28.625	12	16**
30"	30	33	31.625	12	16**
34"	34	37	35.625	16	
42"	42	45	43.625	18	
48"	48	51	49.625	24	

*1-1/2 HP & Up
 **2 HP & Up

TOTALLY ENCLOSED, SINGLE SPEED MOTOR

Motor Voltage Key	
1 Phase	115/230V
3 Phase	230/460V

EDP No.	Catalog No.	Prop Dia.	HP	Fan RPM	Capacity (CFM) @ "SP in W.G.						Ship Wt.
					0"	1/8"	1/4"	3/8"	1/2"	3/4"	
32185	PLDXA12CA	12"	1/4	2625	1444	1307	1033	638	380	---	68
32186											
32191	PLDXA12FA	12"	1/2	3450	1875	1560	1400	1320	1250	1100	72
32192											
32197	PLDXA12HA	12"	3/4	3450	2044	1960	1920	1820	1650	1500	76
32198											
32203	PLDXA15CA	15"	1/4	2000	2600	2100	1700	---	---	---	73
32204											
32209	PLDXA15DA	15"	1/3	2200	2950	2500	2100	1760	1000	---	75
32210											
32215	PLDXA15FA	15"	1/2	1890	3350	3000	2650	2200	1500	---	80
32216											
32221	PLDXA15HA	15"	3/4	2200	3900	3700	3400	3100	2700	1150	95
32222											
32227	PLDXA18CA	18"	1/4	1600	3050	2500	2000	1200	---	---	80
32228											
32233	PLDXA18DA	18"	1/3	1725	3375	3000	2600	2000	1400	---	85
32234											
32239	PLDXA18FA	18"	1/2	1890	3850	3500	3100	2500	2000	---	95
32240											
32245	PLDXA18JA	18"	1	1725	4600	4375	4080	3600	3000	2100	115
32246											
32251	PLDXA18KA	18"	1 1/2	1990	5350	5060	4830	4550	3950	3000	125
32252											
32257	PLDXA24FA	24"	1/2	1298	5643	5320	4826	4440	3500	---	125
32258											
32263	PLDXA24HA	24"	3/4	1600	6906	6510	5900	5440	4650	2750	130
32264											

CONTINUED ON PAGE 66

TOTALLY ENCLOSED, SINGLE SPEED MOTOR

CONTINUED FROM PAGE 65

Motor Voltage Key	
1 Phase	115/230V
3 Phase	230/460V

EDP No.	Catalog No.	Prop Dia.	HP	Fan RPM	Capacity (CFM) @ "SP in W.G.						Ship Wt.
					0"	1/8"	1/4"	3/8"	1/2"	3/4"	
32269	PLDXA24JA	24"	1	1725	7425	7000	6350	5850	5000	3300	145
32270											
32275	PLDXA24KA	24"	1 ½	1540	8200	7900	7650	7280	6850	5500	150
32276											
32281	PLDXA24MA	24"	2	1600	9760	9114	8830	8460	8090	7000	170
32282											
32286	PLDXA24OA	24"	3	1725	10500	9800	9500	9100	8700	7800	185
32290	PLDXA27HA	27"	3/4	1250	8330	7814	7550	7070	6500	4650	135
32291											
32296	PLDXA27JA	27"	1	1400	9400	8675	8480	7950	7300	5200	155
32297											
32302	PLDXA27KA	27"	1 ½	1600	10700	10250	9700	9080	8375	6000	160
32303											
32308	PLDXA27MA	27"	2	1350	11500	11200	10700	10000	9300	8000	210
32309											
32314	PLDXA30FA	30"	1/2	1140	8900	7925	6600	4270	2300	---	118
32315											
32320	PLDXA30JA	30"	1	1298	9896	8970	7980	6050	4120	---	140
32321											
32326	PLDXA30KA	30"	1 ½	1035	11100	10600	9700	8600	7500	3500	165
32327											

TOTALLY ENCLOSED, SINGLE SPEED MOTOR

Motor Voltage Key

1 Phase	115/230V
3 Phase	230/460V

EDP No.	Catalog No.	Prop Dia.	HP	Fan RPM	Capacity (CFM) @ "SP in W.G.						Ship Wt.
					0"	1/8"	1/4"	3/8"	1/2"	3/4"	
32332	PLDXA30MA	30"	2	1176	12100	11660	11000	10121	9322	6700	200
32333											
32337	PLDXA30OA	30"	3	1350	13480	12982	12498	12042	11465	10380	215
32341	PLDXA34KA	34"	1 ½	1170	13695	12400	11100	8365	6000	1050	175
32342											
32347	PLDXA34MA	34"	2	1027	14657	13652	12590	11500	10000	8000	210
32348											
32354	PLDXA34OA	34"	3	1175	17580	16750	15896	14600	14095	12000	275
32358	PLDXA42KA	42"	1 ½	750	18960	17000	14662	11720	7200	---	175
32359											
32364	PLDXA42MA	42"	2	820	20700	18900	17002	14700	11400	4000	210
32365											
32369	PLDXA42OA	42"	3	890	23700	22100	20200	18960	16970	9500	275
32374	PLDXA42PA	42"	5	850	26900	25600	24403	23450	22250	18400	325
32377	PLDXA48PA	48"	5	800	33000	31000	29400	27500	25670	20700	375
32380	PLDXA48QA	48"	7 ½	900	37500	35900	34500	32800	31200	27700	430
32383	PLDXA48RA	48"	10	1000	41200	39700	38300	36900	35400	32400	520

EXPLOSION-PROOF, SINGLE SPEED MOTORS

Motor Voltage Key	
1 Phase	115/230V
3 Phase	230/460V

EDP No.	Catalog No.	Prop Dia.	HP	Fan RPM	Capacity (CFM) @ "SP in W.G.						Ship Wt.
					0"	1/8"	1/4"	3/8"	1/2"	3/4"	
32187	PLDXA12CA	12"	1/4	2625	1444	1307	1033	638	380	---	68
32188											
32193	PLDXA12FA	12"	1/2	3450	1875	1560	1400	1320	1250	1100	72
32194											
32199	PLDXA12HA	12"	3/4	3450	2044	1960	1920	1820	1650	1500	76
32200											
32205	PLDXA15CA	15"	1/4	2000	2600	2100	1700	---	---	---	73
32206											
32211	PLDXA15DA	15"	1/3	2200	2950	2500	2100	1760	1000	---	75
32212											
32217	PLDXA15FA	15"	1/2	1890	3350	3000	2650	2200	1500	---	80
32218											
32223	PLDXA15HA	15"	3/4	2200	3900	3700	3400	3100	2700	1150	95
32224											
32229	PLDXA18CA	18"	1/4	1600	3050	2500	2000	1200	---	---	80
32230											
32235	PLDXA18DA	18"	1/3	1725	3375	3000	2600	2000	1400	---	85
32236											
32241	PLDXA18FA	18"	1/2	1890	3850	3500	3100	2500	2000	---	95
32242											
32247	PLDXA18JA	18"	1	1725	4600	4375	4080	3600	3000	2100	115
32248											
32253	PLDXA18KA	18"	1 ½	1990	5350	5060	4830	4550	3950	3000	125
32254											
32259	PLDXA24FA	24"	1/2	1298	5643	5320	4826	4440	3500	---	125
32260											

EXPLOSION-PROOF, SINGLE SPEED MOTORS

Motor Voltage Key

1 Phase 115/230V

3 Phase 230/460V

EDP No.	Catalog No.	Prop Dia.	HP	Fan RPM	Capacity (CFM) @ "SP in W.G.						Ship Wt.
					0"	1/8"	1/4"	3/8"	1/2"	3/4"	
32265	PLDXA24HA	24"	3/4	1600	6906	6510	5900	5440	4650	2750	130
32266											
32271	PLDXA24JA	24"	1	1725	7425	7000	6350	5850	5000	3300	145
32272											
32277	PLDXA24KA	24"	1 ½	1540	8200	7900	7650	7280	6850	5500	150
32278											
32283	PLDXA24MA	24"	2	1600	9760	9114	8830	8460	8090	7000	170
32284											
32287	PLDXA24OA	24"	3	1725	10500	9800	9500	9100	8700	7800	185
32292	PLDXA27HA	27"	3/4	1250	8330	7814	7550	7070	6500	4650	135
32293											
32298	PLDXA27JA	27"	1	1400	9400	8675	8480	7950	7300	5200	155
32299											
32304	PLDXA27KA	27"	1 ½	1600	10700	10250	9700	9080	8375	6000	160
32305											
32310	PLDXA27MA	27"	2	1350	11500	11200	10700	10000	9300	8000	210
32311											
32316	PLDXA30FA	30"	1/2	1140	8900	7925	6660	4270	2300	---	118
32317											
32322	PLDXA30JA	30"	1	1298	9896	8970	7980	6050	4120	---	140
32323											
32328	PLDXA30KA	30"	1 ½	1035	11100	10600	9700	8600	7500	3500	165
32329											
32334	PLDXA30MA	30"	2	1176	12100	11660	11000	10121	9322	6700	200
32335											

CONTINUED ON PAGE 70

EXPLOSION-PROOF, SINGLE SPEED MOTORS

CONTINUED FROM PAGE 69

Motor Voltage Key	
1 Phase	115/230V
3 Phase	230/460V

EDP No.	Catalog No.	Prop Dia.	HP	Fan RPM	Capacity (CFM) @ "SP in W.G.						Ship Wt.
					0"	1/8"	1/4"	3/8"	1/2"	3/4"	
32338	PLDXA30OA	30"	3	1350	13480	12982	12498	12042	11465	10380	215
32343	PLDXA34KA	34"	1 ½	1170	13695	12400	11100	8365	6000	1050	175
32344											
32349	PLDXA34MA	34"	2	1027	14657	13652	12590	11500	10000	8000	210
32352											
32355	PLDXA34OA	34"	3	1175	17580	16750	15896	14600	14095	12000	275
32360	PLDXA42KA	42"	1 ½	750	18960	17000	14662	11700	7200	---	175
32361											
32366	PLDXA42MA	42"	2	820	20700	18900	17002	14700	11400	4000	210
32367											
32372	PLDXA42OA	42"	3	890	23700	22100	20200	18960	16970	9950	275
32375	PLDXA42PA	42"	5	850	26900	25600	24403	23450	22250	18400	325
32378	PLDXA48PA	48"	5	800	33000	31000	29400	27500	25670	20700	375
32381	PLDXA48QA	48"	7 ½	900	37500	35900	34500	32800	31200	27700	430
32384	PLDXA48RA	48"	10	1000	41200	39700	38300	36900	35400	32400	520

WEATHER COVER

EDP No.	Catalog No.	Size	HP	Description
88202	Weather Cover	12" - 42"	Up to 15	For Motor and Drive
88203	Weather Cover	24" - 48"	2 - 5	For Motor and Drive
88205	Weather Cover	42" - 48"	7.5 & Up	For Motor and Drive

PLDXA ACCESSORIES

EDP No.	Catalog No.	Prop Dia.	Description
32385	PLDXA Accessory	12"	Matching Flange (1 ea.)
32392	PLDXA Accessory	15"	Matching Flange (1 ea.)
32398	PLDXA Accessory	18"	Matching Flange (1 ea.)
32404	PLDXA Accessory	24"	Matching Flange (1 ea.)
32412	PLDXA Accessory	27"	Matching Flange (1 ea.)
32418	PLDXA Accessory	30"	Matching Flange (1 ea.)
32424	PLDXA Accessory	34"	Matching Flange (1 ea.)
32431	PLDXA Accessory	42"	Matching Flange (1 ea.)
32437	PLDXA Accessory	48"	Matching Flange (1 ea.)
32399	PLDXA Accessory	18"	Inspection Door
32405	PLDXA Accessory	24"	Inspection Door
32413	PLDXA Accessory	27"	Inspection Door
32419	PLDXA Accessory	30"	Inspection Door
32425	PLDXA Accessory	34"	Inspection Door
32432	PLDXA Accessory	42"	Inspection Door
32438	PLDXA Accessory	48"	Inspection Door
32387	PLDXA Accessory	12"	Inlet / Outlet Guard
32394	PLDXA Accessory	15"	Inlet / Outlet Guard
32400	PLDXA Accessory	18"	Inlet / Outlet Guard

CONTINUED ON PAGE 72

PLDXA ACCESSORIES

CONTINUED FROM PAGE 71

EDP No.	Catalog No.	Prop Dia.	Description
32406	PLDXA Accessory	24"	Inlet / Outlet Guard
32414	PLDXA Accessory	27"	Inlet / Outlet Guard
32420	PLDXA Accessory	30"	Inlet / Outlet Guard
32426	PLDXA Accessory	34"	Inlet / Outlet Guard
32433	PLDXA Accessory	42"	Inlet / Outlet Guard
32439	PLDXA Accessory	48"	Inlet / Outlet Guard
32388	PLDXA Accessory	12"	Belt Drive Guard (OSHA)
32395	PLDXA Accessory	15"	Belt Drive Guard (OSHA)
32401	PLDXA Accessory	18"	Belt Drive Guard (OSHA)
32407	PLDXA Accessory	24"	Belt Drive Guard (OSHA)
32415	PLDXA Accessory	27"	Belt Drive Guard (OSHA)
32421	PLDXA Accessory	30"	Belt Drive Guard (OSHA)
32427	PLDXA Accessory	34"	Belt Drive Guard (OSHA)
32434	PLDXA Accessory	42"	Belt Drive Guard (OSHA)
32440	PLDXA Accessory	48"	Belt Drive Guard (OSHA)
32389	PLDXA Accessory	12"	Epoxy Coating
32396	PLDXA Accessory	15"	Epoxy Coating
32402	PLDXA Accessory	18"	Epoxy Coating
32408	PLDXA Accessory	24"	Epoxy Coating

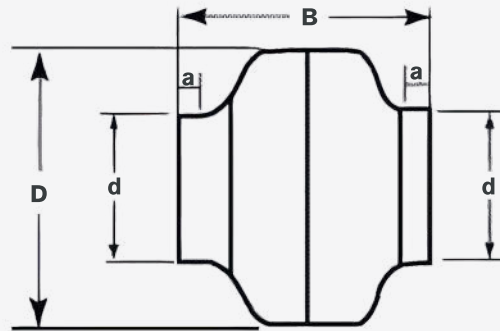
PLDXA ACCESSORIES

EDP No.	Catalog No.	Prop Dia.	Description
32416	PLDXA Accessory	27"	Epoxy Coating
32422	PLDXA Accessory	30"	Epoxy Coating
32428	PLDXA Accessory	34"	Epoxy Coating
32435	PLDXA Accessory	42"	Epoxy Coating
32441	PLDXA Accessory	48"	Epoxy Coating
32391	PLDXA Accessory	12"	Cont. Weld of Flange o Drum
32397	PLDXA Accessory	15"	Cont. Weld of Flange o Drum
32403	PLDXA Accessory	18"	Cont. Weld of Flange o Drum
32409	PLDXA Accessory	24"	Cont. Weld of Flange o Drum
32417	PLDXA Accessory	27"	Cont. Weld of Flange o Drum
32423	PLDXA Accessory	30"	Cont. Weld of Flange o Drum
32429	PLDXA Accessory	34"	Cont. Weld of Flange o Drum
32436	PLDXA Accessory	42"	Cont. Weld of Flange o Drum
32442	PLDXA Accessory	48"	Cont. Weld of Flange o Drum

IN-LINE CENTRIFUGAL DUCT FAN

AIF MODELS 5 Year Warranty

Built with a heavy-gauge drawn steel housing and durable baked epoxy finish, it provides long-term corrosion resistance and structural integrity in demanding environments. At the core of the unit is an exceptionally quiet and efficient backward-curved (BC) impeller, precision balanced to ensure smooth, vibration-free operation. Integrated automatic reset thermal overload protection safeguards the motor, enhancing reliability and extending service life.



EDP No.	Catalog No.	Watts	RPM	Capacity (CFM) at "SP"									Dimensions (in.)				Ship Wt.
				0	0.2	0.4	0.6	0.8	1.0	1.2	1.5	2.0	D	d	a	B	
23202	AIF100A ES	43.5	2580	147	130	107	82	57	34	11	---	---	9.5	3.9	1.0	8.3	7.5
23190	AIF100B	83.4	2620	150	140	127	112	94	74	53	23	---	9.5	3.9	1.0	8.3	8.0
23195*	AIF100B-C	83.4	2520	150	140	127	112	94	---	74	53	23	9.5	3.9	1.0	8.3	8.0
23203	AIF125A ES	44.4	2520	179	150	121	87	49	14	---	---	---	9.5	4.8	1.0	8.3	7.5
23191	AIF125B	85.4	2750	183	160	141	122	101	77	51	14	---	9.5	4.8	1.0	8.3	7.5
23196*	AIF125B-C	85.4	2750	183	160	141	122	101	77	51	14	---	9.5	4.8	1.0	8.3	7.5
23204	AIF150A ES	46.8	2390	235	190	148	97	44	---	---	---	---	9.5	5.8	1.0	8.3	7.5
23192	AIF150B ES	89.2	2450	308	260	216	175	139	108	81	47	---	13.2	5.8	1.0	9.1	12.5
23197*	AIF150B-C ES	89.2	2450	308	260	216	175	139	108	81	47	---	13.2	5.8	1.0	9.1	12.5
23205	AIF200A ES	84.5	2500	368	300	234	184	149	114	70	---	---	13.2	7.8	1.0	9.1	12.0
23193	AIF200B ES	188	2550	579	520	453	387	329	282	245	206	154	13.2	7.8	1.0	9.1	15.0
23198*	AIF200B-C ES	188	2550	579	520	453	387	329	282	245	206	154	13.2	7.8	1.0	9.1	15.0
23206	AIF250 ES	197	2470	616	550	488	431	379	330	286	227	143	13.2	9.8	1.0	9.1	15.0
23212*	AIF250-C ES	197	2470	616	550	488	431	379	330	286	227	143	13.2	9.8	1.0	9.1	15.0
23207	AIF300A ES	206	2450	780	700	595	420	330	290	255	210	132	15.9	11.8	1.2	11.8	18.0
23194	AIF300B ES	312	2780	970	910	803	680	559	453	367	273	164	15.9	11.8	1.2	11.8	18.0
23199*	AIF300B-C ES	312	2780	970	910	803	680	559	453	367	273	164	15.9	11.8	1.2	11.8	18.0

AIF MODEL ACCESSORIES

ACCESSORIES

EDP No.	Catalog No.	Description	Ship Wt.
23201	PS-DB	Pressure Sensing Switch Kit	1.5
24855	485210	Variable Speed Control, 1 Phase, 5 Amp Speed Control	1
23163	DF-4	4" Diffuser Vent	1
23177	DF-5	5" Diffuser Vent	1
23164	DF-6	6" Diffuser Vent	1
23170	DF-8	8" Diffuser Vent	1.4
23180	DF-10	10" Diffuser Vent	1.8
23165	BD-4	4" Backdraft Damper	1
23166	BD-6	6" Backdraft Damper	1
23171	BD-8	8" Backdraft Damper	1.2
23172	BD-10	10" Backdraft Damper	1.4
23178	BD-12	12" Backdraft Damper	1.6



PRESSURE SWITCH



SPEED CONTROL



BACKDRAFT DAMPER



DIFFUSER VENT

TYPICAL APPLICATIONS

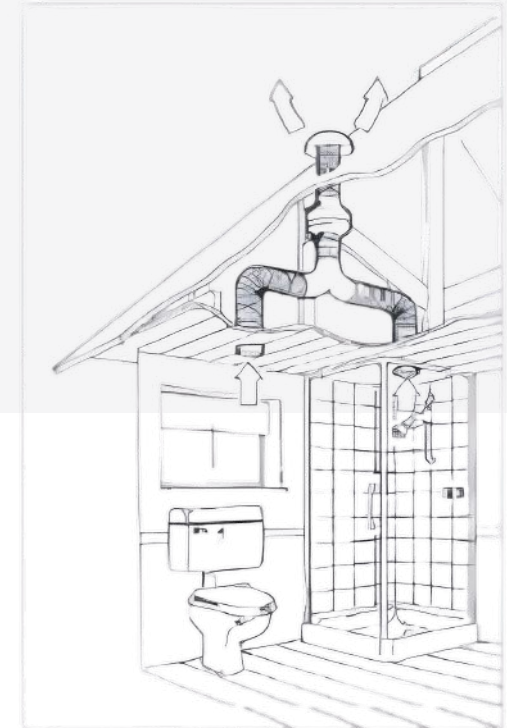
	Residential	Commercial	Industrial
Bathroom Exhaust	✓	✓	✓
Locker Room Exhaust		✓	✓
Kitchen Exhaust (not over range hood)	✓		
Clothes Dryer Exhaust	✓	✓	✓
Primary Exhaust Fan	✓	✓	✓
Duct Booster	✓	✓	✓
Warm Air Transfer	✓	✓	✓
General Ventilation	✓	✓	
Conference Room Exhaust		✓	✓
Smoke Areas	✓	✓	
Cafeteria Exhaust		✓	✓
Humidity & Moisture Removal	✓	✓	✓
Equipment Cooling		✓	✓
Make Up Air	✓	✓	✓
Welding Fume Removal			✓
Spot Ventilation	✓	✓	✓
Booster Fan	✓	✓	✓



CONFERENCE ROOM EXHAUST VENTILATION



AIF FAN TRANSFERRING CONDITIONED AIR TO NEW ROOM ADDITION



MULTI-VENTILATION POINTS WITH ONE IN-LINE FAN



ACCESSORIES

FOR READY-TO-INSTALL
VENTILATION UNITS

SHUTTERS	78
WALL COLLARS	82
WEATHER HOODS	83
GUARDS	84
INTAKE LOUVERS	86
SCREENS	93
ACTUATORS	93
MOTOR ACCESSORIES	94

ALUMINUM EXHAUST SHUTTERS

EASR MODELS

Features	Materials
Indoor / Outdoor, Wall/Ceiling Mounts	24-gauge aluminum blades
Opens with fan pressure	Self-lubricating heavy-duty nylon bearings
Gravity closes when fan is turned off	Felt seals between adjacent blades



EDP No.	Catalog No.	Type	For Fans Diameter	Inside (A)	Outside (B)	Required Opening (Sq. In.)	No. Holes 17/64" Diameter	Sections (Panels)	Motor Kits	Ship Wt.
22970	EASR-MF10	Exhaust	10"	10" Sq.	13" Sq.	10 ¾"	8	1	MTR-556-SP	3
22971	EASR-MF12	Exhaust	10"	12" Sq.	15" Sq.	12 ¾"	8	1	MTR-556-SP	3
22972	EASR-MF14	Exhaust	12"	14" Sq.	17" Sq.	14 ¾"	8	1	MTR-556-SP	4
22973	EASR-MF18	Exhaust	16"	18" Sq.	21" Sq.	18 ¾"	12	1	MTR-556-SP	5
22974	EASR-MF20	Exhaust	18"	20" Sq.	23" Sq.	20 ¾"	12	1	MTR-556-SP	5
22975	EASR-MF26	Exhaust	24"	26" Sq.	29" Sq.	26 ¾"	12	1	MTR-556-SP	9
22976	EASR-MF32	Exhaust	30"	32" Sq.	35" Sq.	32 ¾"	16	1	MTR-556-SP	12
22977	EASR-MF38	Exhaust	36"	38" Sq.	41" Sq.	38 ¾"	16	2	MTR-556-DP	16
22978	EASR-MF44	Exhaust	42"	44" Sq.	47" Sq.	44 ¾"	20	2	MTR-556-DP	20
22979	EASR-MF50	Exhaust	48"	50" Sq.	53" Sq.	50 ¾"	20	2	MTR-556-DP	23
22980	EASR-MF56	Exhaust	54"	56" Sq.	59" Sq.	56 ¾"	24	2	MTR-885-DP	27
22981	EASR-MF62	Exhaust	60"	62" Sq.	65" Sq.	62 ¾"	24	2	MTR-885-DP	30

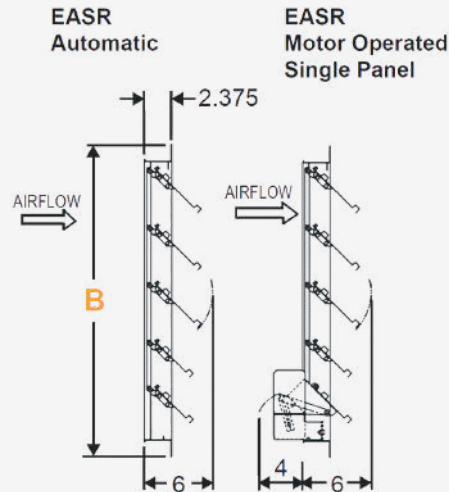
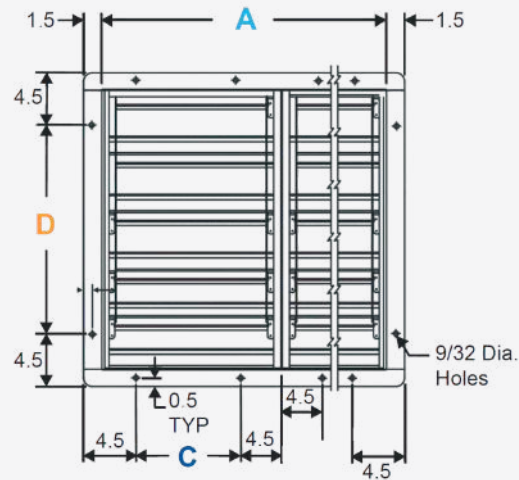
EASR-MF44 - EASR-MF56 are two panel construction. EASR-MF62 is a three-panel. If used for Supply Duty, a Motor Actuator Kit must be utilized with a shutter. EASR / WC SELECTION / INSTALLATION INFORMATION AND CAUTIONS: The velocity profile near the fan blade tips (spot velocity is non-uniform and will vary by fan model. This spot velocity condition can damage a backdraft damper if it exceeds the maximum recommended backdraft damper velocity. For this reason, it is recommended that the backdraft damper be mounted a minimum of 1/3 the fan diameter away from the fan outlet. It is a good practice to contact the factory when the application has a velocity approaching the maximum allowed or when the fan motor horsepower is 5 or above, or when the fan spot velocity is in excess of the backdraft damper's maximum velocity. See page 79 for information on WRHD Heavy Duty Shutter. Note: When an EASR or WC Shutter is used for exhaust or supply and mounted remotely from the fan, a WS Wall Collar is not needed. The shutter is installed directly on the wall, and a Motor Actuator Kit must be utilized.

EASR MODEL EXHAUST SHUTTER DIMENSIONS

WR HEAVY-DUTY EXHAUST SHUTTERS

EDP No.	Catalog No.	Shutter Size	Number of Panels	Motor Kit (Required number of WRHD)
22746	WRHD42	44" x 44"	2	MK-4621 (1)
22747	WRHD48	50" x 50"	2	MK-4621 (1)
22748	WRHD54	56" x 56"	2	MK-4621 (1)
22749	WRHD60	62" x 62"	3	MK-4620 & MK-4621

EASR Backdraft Shutter Air Entering Side



Model	A	B	C	D	Panels
EASR-MF10	10	13	4	4	1
EASR-MF12	12	15	6	6	1
EASR-MF14	14	17	8	8	1
EASR-MF18	18	21	12	12	1
EASR-MF20	20	23	14	14	1
EASR-MF26	26	29	20	20	1
EASR-MF32	32	35	26	26	1
EASR-MF38	38	41	32	32	2
EASR-MF44	44	47	14.5	38	2
EASR-MF50	50	53	17.5	44	2
EASR-MF56	56	59	20.5	50	2
EASR-MF62	62	65	12.67	56	3

ALUMINUM SUPPLY SHUTTERS

WC MODELS

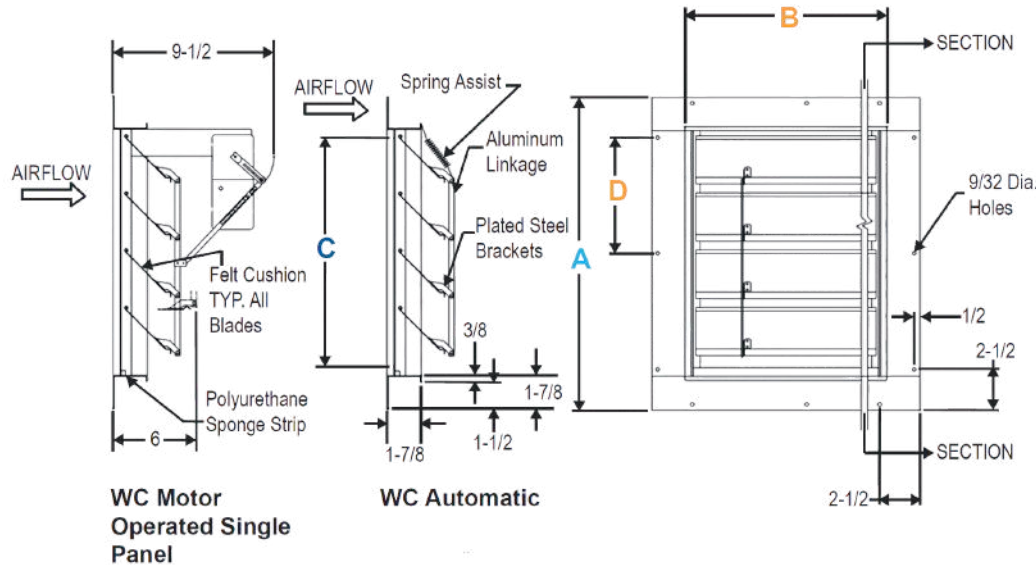
Features	Materials
Indoor / Outdoor, Wall / Ceiling Mounts	24-gauge aluminum blades
Opens with fan pressure	Self-lubricating heavy-duty nylon bearings
Gravity closes when fan is turned off	Felt seals between adjacent blades



EDP No.	Catalog No.	Type	For Fans Diameter	Inside (A)	Outside (B)	Required Opening (Sq. In.)	No. Holes 17/64" Diameter	Sections (Panels)	Motor Kits	Ship Wt.
22754	WC9	Supply	10"	11" Sq.	14" Sq.	11 ¾"	8	1	MK-5047	3
22755	WC10	Supply	10"	12" Sq.	15" Sq.	12 ¾"	8	1	MK-5047	4
22611	WC12	Supply	12"	14" Sq.	17" Sq.	14 ¾"	8	1	MK-5047	4
22621	WC16	Supply	16"	18" Sq.	21" Sq.	18 ¾"	12	1	MK-5047	5
22631	WC18	Supply	18"	20" Sq.	23" Sq.	20 ¾"	12	1	MK-5047	7
22641	WC24	Supply	24"	26" Sq.	29" Sq.	26 ¾"	12	1	MK-5047	9
22651	WC30	Supply	30"	32" Sq.	35" Sq.	32 ¾"	16	1	MK-5047	12
22661	WC36	Supply	36"	38" Sq.	41" Sq.	38 ¾"	16	1	MK-5047	17
22671	WC42	Supply	42"	44" Sq.	47" Sq.	44 ¾"	20	2	MK-4782	22
22681	WC48	Supply	48"	50" Sq.	53" Sq.	50 ¾"	20	2	MK-4782	25
22691	WC54	Supply	54"	56" Sq.	59" Sq.	56 ¾"	24	2	MK-4782	28
22701	WC60	Supply	60"	62" Sq.	65" Sq.	62 ¾"	24	3	(1) MK-4782 & (1) MK-5047 required	31

The velocity profile near the fan blade tips (spot velocity) is non-uniform and will vary by fan model. This spot velocity condition can damage a backdraft damper if it exceeds the maximum recommended backdraft damper velocity. For this reason, it is recommended that the backdraft damper be mounted a minimum of 1/3 the fan diameter away from the fan outlet.

WC MODEL SUPPLY SHUTTER DIMENSIONS



Model	A	B	C	D	Panels
WC9	14	11	8	8	1
WC10	15	12	10	10	1
WC12	17	14	12	12	1
WC16	21	18	16	8	1
WC18	23	20	18	9	1
WC24	29	26	24	12	1
WC30	35	32	30	10	1
WC36	41	38	36	12	1
WC42	47	44	42	10.5	2
WC48	53	50	48	12	2
WC54	59	56	54	9	2
WC60	65	62	60	10	3

SUPPLY DUTY INFORMATION

Airmaster offers a supply duty option for the EPR, EXG, PD, HV, PB, and HA series wall fans. The fans are custom-built with the venturi facing the motor, allowing the fan to blow air into the building while still having the motor on the inside. Supply Duty Fans are custom-ordered products and are non-cancelable, non-returnable once in production.

To order a Supply Duty Fan, add “S” to the EDP number. Call to quote.

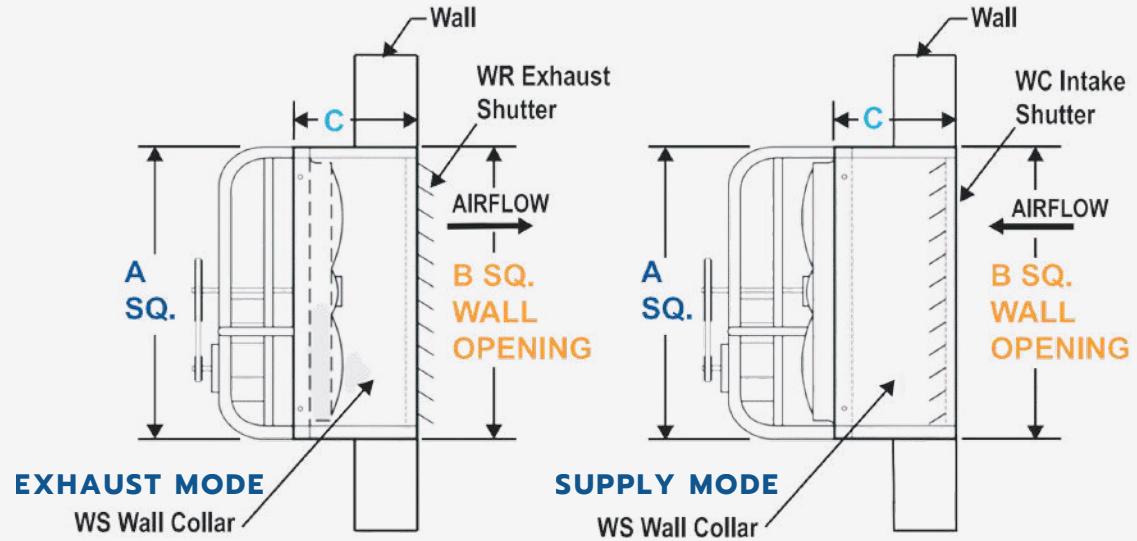
Recommended optional accessories include the WC supply shutters, WS wall collars, WH weather hoods, FG front guards, and RG rear guards.

WC SUPPLY SHUTTER SELECTION / INSTALLATION INFORMATION & CAUTIONS:

The velocity profile near the fan blade tips (spot velocity) is non-uniform and will vary by fan model. This spot velocity condition can damage a backdraft damper if it exceeds the maximum recommended backdraft damper velocity. For this reason, it is recommended that the backdraft damper be mounted a minimum of 1/3 the fan diameter away from the fan outlet.

WALL COLLARS

WS MODEL



EDP No.	Catalog No.	Prop Dia.	A Sq.	B Sq. Wall Opening	C	Ship Wt.	Exhaust Shutter		Supply Shutter		Supply Motor Side (Rear Guard)	
							EDP No.	Cat No.	EDP No.	Cat No.	EDP No.	Cat No.
06883	WS10	10 EPR	14	15	12	14	22970	EASR-MF10	22754	WC9	--	--
06884	WS12	12	16	17	12	15	22971	EASR-MF12	22755	WC10	23605	12RG
06885	WS16E	16 EPR	20	21	12	20	22972	EASR-MF14	22611	WC12	--	--
06886	WS18E	16	22	23	12	20	22973	EASR-MF18	22621	WC16	23610	16RG
06894	WS18	18	24	25	12	19	22974	EASR-MF20	22631	WC18	23615	18RG
06887	WS24	24	30	31	14	31	22975	EASR-MF26	22641	WC24	23620	24RG
06888	WS30	30	36	37	14 ½	42	22976	EASR-MF32	22651	WC30	23625	30RG
06889	WS36	36	42	43	17	61	22977	EASR-MF38	22661	WC36	23630	36RG
06890	WS42	42	48	49	19	89	22978	EASR-MF44	22671	WC42	23635	42RG
06891	WS48	48	54	55	21	112	22979	EASR-MF50	22681	WC48	23640	48RG
06892	WS54	54	60	61	23	149	22980	EASR-MF56	22691	WC54	23645	54RG
06893	WS60	60	66	67	25	178	22981	EASR-MF62	22701	WC60	23650	60RG

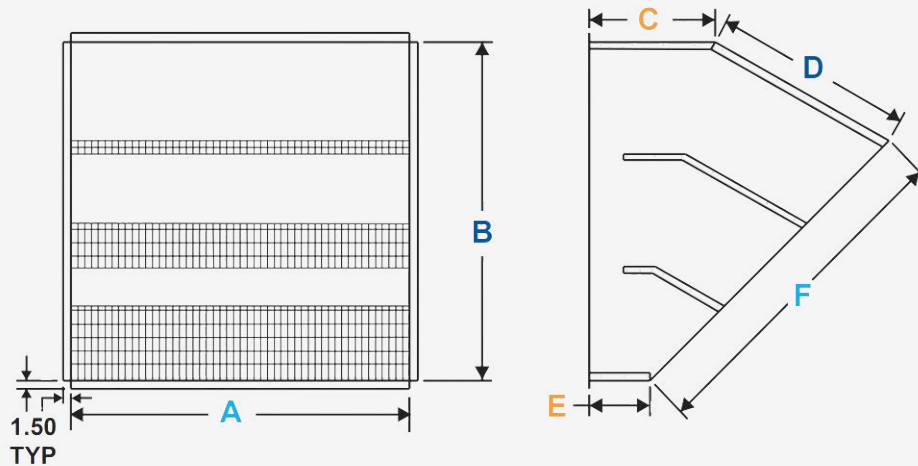
Safety motor side (rear) guards are included on all EPR, and 18" & 24" PD series fans. For epoxy coating of Wall Collars, add \$285 to list price. Notes: WS wall collars are shipped knocked down. Fan not included with WS wall collars. Wall collars are galvanized.

WEATHERHOODS

WH MODEL

Designed for dependable exterior air intake and exhaust applications, our weatherhoods feature all-steel construction for long-term structural integrity in demanding environments. Integrated turning vanes provide smooth airflow transition and reduced turbulence, supporting efficient system performance.

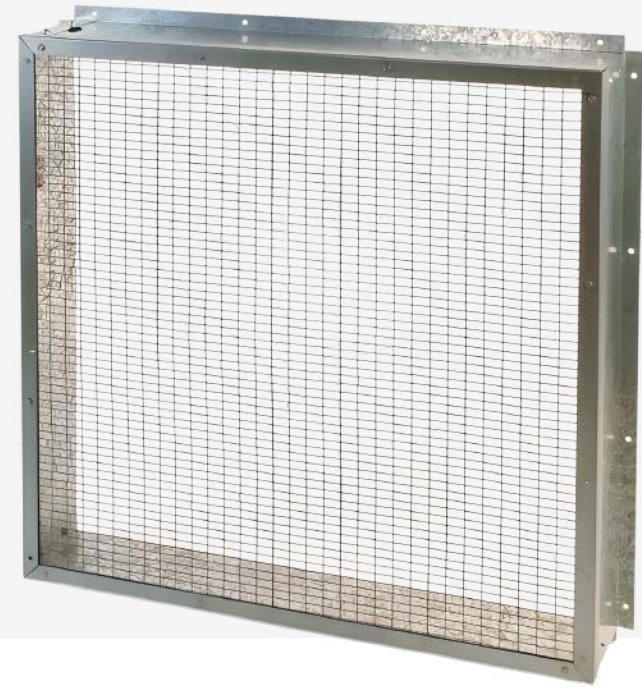
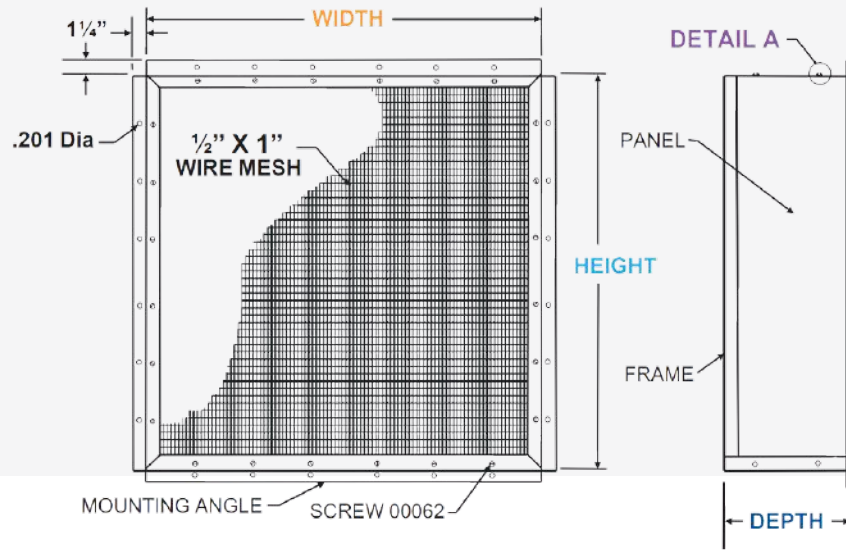
Each unit includes a galvanized finish for enhanced corrosion resistance and extended service life. A factory-installed bird screen helps prevent debris and wildlife intrusion while maintaining proper airflow. Built for durability and performance, these weatherhoods deliver reliable protection at the building envelope.



EDP No.	Catalog No.	Size	Dimensions						Ship Wt.
			A	B	C	D	E	F	
99915	WH24	Hood for 24" Unit	30.50	30.50	15.29	18.06	9.43	30.50	67
99916	WH30	Hood for 30" Unit	36.50	36.50	18.30	21.62	11.28	36.50	168
99917	WH36	Hood for 36" Unit	42.50	42.50	21.31	25.17	13.14	42.50	206
99921	WH42	Hood for 42" Unit	48	48	19.42	28.43	10.19	48	231
99923	WH48	Hood for 48" Unit	54	54	21.04	31.98	10.65	54	303
99918	WH54	Hood for 54" Unit	60	60	22.88	35.54	11.34	60	342
99919	WH60	Hood for 60" Unit	66	66	24.04	38.89	11	66	384

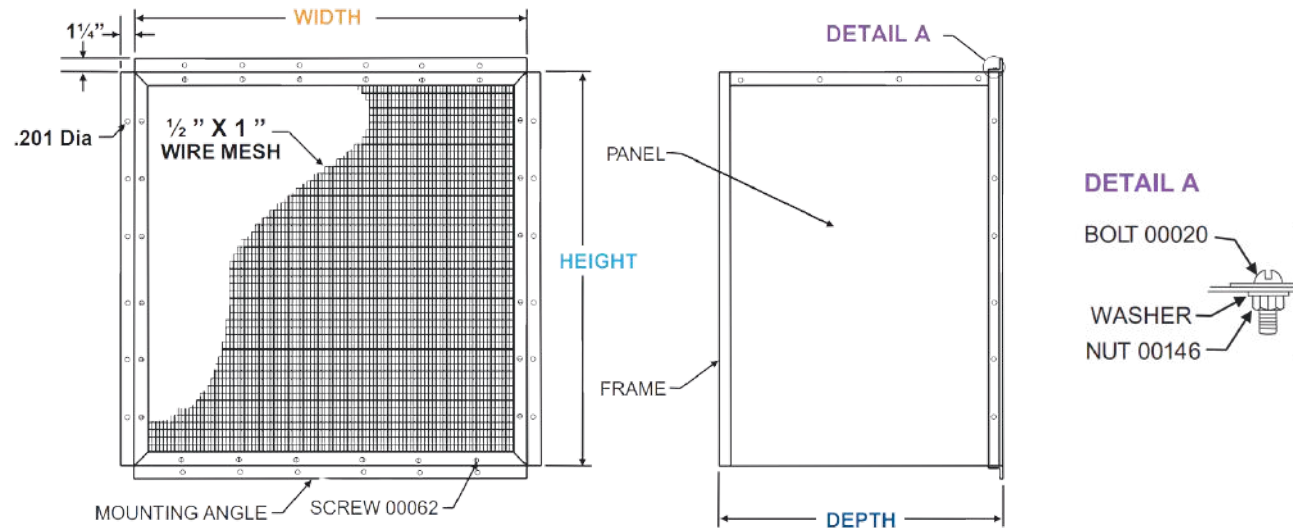
FRONT & REAR FAN GUARDS

FG FRONT GUARD



EDP No.	Catalog No.	Height	Width	Depth	Ship Wt.
23660	12FG	13.75	13.75	6	7
23665	16FG	19.75	19.75	6	10
23670	18FG	21.75	21.75	6	11
23675	24FG	27.75	27.75	6	15
23680	30FG	33.75	33.75	6	18
23685	36FG	39.75	39.75	6	28
23690	42FG	45.75	45.75	6	35
23695	48FG	51.75	51.75	6	40
23700	54FG	57.75	57.75	6	43
23705	60FG	63.75	63.75	6	48

RG REAR GUARD



EDP No.	Catalog No.	Height	Width	Depth	Frame Material	Ship Wt.
23605	12RG	16.25	15.25	16	20 Gauge	7
23610	16RG	22.25	22.25	16	20 Gauge	10
23615	18RG	24.25	24.25	16	20 Gauge	11
23620	24RG	30.54	30.54	25	20 Gauge	15
23625	30RG	36.54	36.54	25	18 Gauge	18
23630	36RG	42.57	42.57	28	18 Gauge	28
23635	42RG	48.57	48.57	34.5	18 Gauge	35
23640	48RG	54.57	54.57	36.5	18 Gauge	40
23645	54RG	60.57	60.57	42.5	18 Gauge	43
23650	60RG	66.57	66.57	44.5	18 Gauge	48

FIXED INTAKE LOUVER

LE47 MODEL 1 Year Warranty

Our LE47 Fixed Intake Louver is an extremely versatile solution designed to complement a wide range of architectural styles while delivering reliable airflow performance. Constructed from durable extruded aluminum, they offer long-lasting, weather-resistant protection in demanding environments. This louver provides both functional flexibility and aesthetic adaptability. A standard bird screen is included for added protection against debris and wildlife intrusion.



EDP No.	Dimensions (in.)	
	Width	Height
94322	12"	12"
94200	12"	18"
94201	12"	24"
94202	12"	30"
94203	12"	36"
94204	12"	42"
94205	12"	48"
94206	12"	54"
94207	12"	60"
94208	12"	66"
94209	12"	72"
94210	12"	78"
94211	12"	84"
94212	12"	90"
94213	12"	96"
94214	18"	12"

CHOOSING THE PROPER LE47

1. Divide the required CFM by the maximum recommended free area velocity (822 FPM). Free area is the actual open area of the louver, approximately 45% of face area.
2. Select a louver from the free area chart that meets the minimum free area requirements.

Example: 6000 CFM air flow

Step 1.

$$\text{Min. free area} = \frac{\text{Design CFM}}{\text{Max. Recommended velocity}}$$

$$= \frac{6000}{822} = 7.299 \text{ Sq. Ft.}$$

Step 2.

From the free area table the approximate louver size is 36" W x 60" H (7.47 Sq. Ft.)

LE47 FREE AREA IN SQUARE FEET

		Width							
		12"	24"	36"	48"	60"	72"	84"	96"
Height	12"	0.29	0.66	1.04	1.41	1.79	2.12	2.49	2.87
	24"	0.69	1.59	2.49	3.40	4.30	5.08	5.98	6.88
	36"	1.18	2.70	4.22	5.75	7.27	8.61	10.13	11.60
	48"	1.68	3.85	6.03	8.21	10.38	12.29	14.47	16.60
	60"	2.08	4.77	7.47	10.16	12.85	15.21	17.90	20.60
	72"	2.57	5.90	9.24	12.57	15.91	18.82	22.16	25.40
	84"	2.97	6.83	10.69	14.55	18.41	21.79	25.65	29.50
	96"	3.46	7.94	12.42	16.91	21.39	25.31	29.80	34.2

Add 10% for Angle (Flanged) Frames. Add \$21.67 per foot of width for Sill Extensions. Note: Width and Height are wall opening sizes. Louvers are made 1/2" under size.

LE47 MODEL

EDP No.	Dimensions (in.)	
	Width	Height
94318	18"	18"
94387	18"	24"
94215	18"	30"
94216	18"	36"
94217	18"	42"
94218	18"	48"
94219	18"	54"
94220	18"	60"
94221	18"	66"
94222	18"	72"
94223	18"	78"
94224	18"	84"
94225	18"	90"
94226	18"	96"
94296	24"	12"
94227	24"	18"

EDP No.	Dimensions (in.)	
	Width	Height
94315	24"	24"
94228	24"	30"
94314	24"	36"
94229	24"	42"
94313	24"	48"
94230	24"	54"
94231	24"	60"
94232	24"	66"
94233	24"	72"
94234	24"	78"
94235	24"	84"
94236	24"	90"
94237	24"	96"
94238	30"	12"
94239	30"	18"
94377	30"	24"

EDP No.	Dimensions (in.)	
	Width	Height
94312	30"	30"
94240	30"	36"
94241	30"	42"
94242	30"	48"
94243	30"	54"
94244	30"	60"
94245	30"	66"
94246	30"	72"
94247	30"	78"
94248	30"	84"
94249	30"	90"
94250	30"	96"
94391	36"	12"
94251	36"	18"
94349	36"	24"
94252	36"	30"

EDP No.	Dimensions (in.)	
	Width	Height
94311	36"	36"
94293	36"	42"
94310	36"	48"
94253	36"	54"
94254	36"	60"
94255	36"	66"
94256	36"	72"
94257	36"	78"
94259	36"	84"
94260	36"	90"
94261	36"	96"
94262	42"	12"
94263	42"	18"
94264	42"	24"
94266	42"	30"
94269	42"	36"

LE47 MODEL

EDP No.	Dimensions (in.)	
	Width	Height
94308	42"	42"
94270	42"	48"
94273	42"	54"
94276	42"	60"
94278	42"	66"
94279	42"	72"
94508	42"	78"
94509	42"	84"
94510	42"	90"
94511	42"	96"
94512	48"	12"
94513	48"	18"
94514	48"	24"
94515	48"	30"
94306	48"	36"
94516	48"	42"

EDP No.	Dimensions (in.)	
	Width	Height
94304	48"	48"
94517	48"	54"
94303	48"	60"
94518	48"	66"
94519	48"	72"
94520	48"	78"
94521	48"	84"
94522	48"	90"
94523	48"	96"
94524	54"	12"
94525	54"	18"
94526	54"	24"
94527	54"	30"
94528	54"	36"
94529	54"	42"
94530	54"	48"

EDP No.	Dimensions (in.)	
	Width	Height
94289	54"	54"
94538	54"	60"
94539	54"	66"
94540	54"	72"
94541	54"	78"
94542	54"	84"
94543	54"	90"
94544	54"	96"
94545	60"	12"
94546	60"	18"
94547	60"	24"
94548	60"	30"
94549	60"	36"
94550	60"	42"
94551	60"	48"
94552	60"	54"

EDP No.	Dimensions (in.)	
	Width	Height
94553	60"	60"
94554	60"	66"
94555	60"	72"
94556	60"	78"
94557	60"	84"
94558	60"	90"
94559	60"	96"
94560	66"	12"
94561	66"	18"
94562	66"	24"
94563	66"	30"
94564	66"	36"
94565	66"	42"
94566	66"	48"
94567	66"	54"
94568	66"	60"

LE47 MODEL

EDP No.	Dimensions (in.)	
	Width	Height
94569	66"	66"
94570	66"	72"
94571	66"	78"
94572	66"	84"
94573	66"	90"
94574	66"	96"
94575	72"	12"
94576	72"	18"
94577	72"	24"
94578	72"	30"
94579	72"	36"
94580	72"	42"
94284	72"	48"
94581	72"	54"
94582	72"	60"
94583	72"	66"

EDP No.	Dimensions (in.)	
	Width	Height
94584	72"	72"
94585	72"	78"
94586	72"	84"
94587	72"	90"
94588	72"	96"
94589	78"	12"
94590	78"	18"
94591	78"	24"
94592	78"	30"
94593	78"	36"
94594	78"	42"
94595	78"	48"
94596	78"	54"
94597	78"	60"
94598	78"	66"
94599	78"	72"

EDP No.	Dimensions (in.)	
	Width	Height
94600	78"	78"
94601	78"	84"
94602	78"	90"
94603	78"	96"
94604	84"	12"
94605	84"	18"
94606	84"	24"
94607	84"	30"
94608	84"	36"
94609	84"	42"
94610	84"	48"
94611	84"	54"
94612	84"	60"
94613	84"	66"
94614	84"	72"
94615	84"	78"

EDP No.	Dimensions (in.)	
	Width	Height
94616	84"	84"
94617	84"	90"
94618	84"	96"
94619	90"	12"
94620	90"	18"
94621	90"	24"
94622	90"	30"
94623	90"	36"

Louvers come with Standard Channel Frame. Contact us for custom requirements.

For Special Custom Order Prodcuts - Once in production, orders are non-cancellable, non-returnable, and non-refundable under any circumstances.

ADJUSTABLE INTAKE LOUVER

LE47A MODEL 1 Year Warranty

Our Adjustable Intake Louver provides the same durable, weather-resistant performance as our fixed models, with the added advantage of airflow control. Constructed from extruded aluminum for long-term corrosion resistance and structural integrity, this louver is ideal for architectural applications where both appearance and performance matter. The key distinction is its operable blade design, allowing users to regulate intake airflow as conditions change, improving ventilation efficiency, comfort control, and system responsiveness. Available in a wide range of colors and configuration options, each unit includes a standard bird screen for protection against debris and wildlife intrusion.



EDP No.	Dimensions (in.)		No. of Blades
	Width	Height	
94366	12"	12"	1
94361	12"	18"	2
94365	12"	24"	3
94367	12"	30"	4
94364	12"	36"	5
94368	12"	42"	6
94369	12"	48"	8
94370	12"	54"	9
94378	12"	60"	10
94379	12"	66"	11
94380	12"	72"	12
94381	12"	78"	13
94382	12"	84"	14
94383	12"	90"	16
94385	12"	96"	17
94413	18"	12"	1

CHOOSING THE PROPER LE47A

1. Divide the required CFM by the maximum recommended free area velocity (740 FPM). Free area is the actual open area of the louver, approximately 45% of face area.
2. Select a louver from the free area chart that meets the minimum free area requirements.

Example: 6000 CFM air flow

Step 1.

$$\text{Min. free area} = \frac{\text{Design CFM}}{\text{Max. Recommended velocity}} = \frac{6000}{740} = 8.108 \text{ Sq. Ft.}$$

Step 2.

From the free area table the approximate louver size is 36" W x 72" H (8.49 Sq. Ft.)

LE47A FREE AREA IN SQUARE FEET

		Width				
		12"	24"	36"	48"	60"
Height	12"	0.20	0.45	0.71	0.96	1.22
	24"	0.59	1.35	2.77	2.87	3.63
	36"	1.11	2.56	4.01	5.45	6.90
	48"	1.56	3.57	5.59	7.01	9.05
	60"	1.97	4.53	7.08	9.64	12.20
	72"	2.36	5.43	8.49	11.55	14.62
	84"	2.74	6.30	9.86	13.41	16.97
	96"	3.31	7.61	11.91	16.20	20.50

Add 10% for Angle (Flanged) Frames. Add \$21.67 per foot of width for Sill Extensions
 Note: Width and Height are wall opening sizes. Louvers are made 1/2" under size.

LE47A MODEL

EDP No.	Dimensions (in.)		No. of Blades
	Width	Height	
94339	42"	42"	6
94458	42"	48"	8
94459	42"	54"	9
94460	42"	60"	10
94461	42"	66"	11
94462	42"	72"	12
94463	42"	78"	13
94464	42"	84"	14
94465	42"	90"	16
94466	42"	96"	17
94467	48"	12"	1
94468	48"	18"	2
94395	48"	24"	3
94402	48"	30"	4
94338	48"	36"	5
94469	48"	42"	6

EDP No.	Dimensions (in.)		No. of Blades
	Width	Height	
94336	48"	48"	8
94470	48"	54"	9
94335	48"	60"	10
94474	48"	66"	11
94334	48"	72"	12
94478	48"	78"	13
94479	48"	84"	14
94480	48"	90"	16
94481	48"	96"	17
94482	54"	12"	1
94483	54"	18"	2
94484	54"	24"	3
94485	54"	30"	4
94486	54"	36"	5
94487	54"	42"	6
94488	54"	48"	8

EDP No.	Dimensions (in.)		No. of Blades
	Width	Height	
94331	54"	54"	9
94489	54"	60"	10
94490	54"	66"	11
94491	54"	72"	12
94494	54"	78"	13
94495	54"	84"	14
94496	54"	90"	16
94497	54"	96"	17
94498	60"	12"	1
94499	60"	18"	2
94500	60"	24"	3
94501	60"	30"	4
94502	60"	36"	5
94329	60"	42"	6
94330	60"	48"	8
94503	60"	54"	9

EDP No.	Dimensions (in.)		No. of Blades
	Width	Height	
94328	60"	60"	10
94504	60"	66"	11
94396	60"	72"	12
94505	60"	78"	13
94506	60"	84"	14
94507	60"	90"	16
94393	60"	96"	17

Louvers come with Standard Channel Frame. Contact us for custom requirements.

For Special Custom Order Products - Once in production, orders are non-cancellable, non-returnable, and non-refundable under any circumstances.

OPTIONAL LOUVER SCREENS

Screen Type	List / Sq. Ft.
1/2" .063 aluminum screen	\$4.43
1/2" .047 aluminum screen	\$12.76
1/4" .047 aluminum screen	\$26.73
1/2" .041 galvanized screen	No Add
1/2" .063 galvanized screen	\$4.80
1/4" .041 galvanized screen	\$19.83
1/2" .047 stainless steel (304) screen	\$15.41
1/2" .063 stainless steel (304) screen	\$20.72
Aluminum Insect Screen	\$5.49
Galvanized Insect Screen	\$5.49
Stainless Steel Insect Screen	\$8.86
No Screen DEDUCT	DEDUCT \$5.47

MOTORIZED OR CHAIN PULL ACTUATORS LOUVERS

For Motorized or Chain Pull Actuators Louver, Order LE47A and Motor or Chain Pull Actuator

EDP No.	Catalog No.	Voltage	Description
81642	BCMA-405	115V	Actuator
81640	BCMA-305	24V	Actuator
81639	BCMA-419	230V	Actuator
81637	MA6-405	115V	Hazardous Location Actuator with Explosion Proof Motor & Linkage (no mfg. brackets included)
81645	Chain Actuator	-	Plated Steel Spring, 5' Chain, Wall Claw
81636	Panel Crank	-	Manual Hand Crank

THERMOSTATS & HUMIDISTATS

Our Thermostats and Humidistats provide dependable automatic control of temperature and humidity levels in ventilation systems. Designed to improve efficiency and maintain optimal indoor conditions, they ensure fans and air movement equipment operate only when needed.

EDP No.	Catalog No.	Description
89576*	XRA-4	Thermostat (Wall Mt.) 60° to 100° range
24820	T-1	Temp. Switch (Wall Mt.) 45° to 85° range
90783	TS631	Temp. Switch (Attic Mt.) 70° to 140° range
24880	H-1	Humidistat 20% to 80% RH range

*Single Phase for use up to 3/4 HP

MOTOR CONVERSION KITS & MANUAL MOTOR STARTERS

Our Motor Conversion Kits and Manual Motor Starters provide dependable solutions for motor upgrades and safe equipment control. Conversion kits simplify retrofitting or replacing motors to extend fan life and maintain performance, while manual motor starters offer reliable on/off control with built-in overload protection.

EDP No.	Catalog No.	Description
22982	MTR-556 SP	120/240 Volt, for 10 in. sq. - 32 in. sq. exhaust shutters
22983	MTR-556 DP	120/240 Volt, for 36 in. sq. - 48 in. sq. exhaust shutters
22984	MTR-885 DP	120/240 Volt, for 56 in. sq. - 63 in. sq. exhaust shutters
85388	Switch	115V, 2 Speed, 1 Phase, 3/4 Max HP, 60 Hz Manual Motor Starter without provision for overload protector

Please specify the voltage needed when ordering. Units are for single-phase operation.
 See pages 78-81 for EASR/WC selection and installation information and cautions.
 See page 79 for WRHD Heavy Duty Shutter Information.

SUPPLY MOTOR KITS FOR WC SHUTTERS *ONLY*

A reliable solution for powering and upgrading shutter assemblies. Designed specifically for compatibility with WC shutter models, these kits ensure smooth, consistent operation and proper airflow control. Engineered for durability and straightforward installation, they help extend equipment life while maintaining dependable performance in commercial and industrial ventilation systems.

EDP No.	Catalog No.	Description
22900	MK5047-B	120/240 Volt, 9" - 36" Supply Shutters
22905	MK5047-C	440 Volt, for 9" - 36" Supply Shutters
22908	MK5047-E	550 Volt, for 9" - 36" Supply Shutters
22910	MK-4782-F	120/420 Volt, for 42" - 48" Supply Shutters
22915	MK-4782-C	440 Volt, for 42" - 48" Supply Shutters
22918	MK-4782-E	550 Volt, for 42" - 48" Supply Shutters

Please specify voltage needed when ordering. Units are for single phase operation. 54" Supply Shutter Requires: (1) MK-4782 Motor Kit 60" Supply Shutter Requires: (1) MK-5047 and (1) MK-4782 Motor Kit. See pages 78-81 for EASR-MF/WC selection and installation information and cautions. Note: Shutter Motor Kits are "power open - spring close". The power opens the shutter and holds it open until the power is turned off, then a spring on the motor closes the shutter.

MANUAL CHAIN OPERATORS FOR EASR EXHAUST SHUTTERS

Simple, dependable control of shutter position without the need for electrical power. Designed specifically for compatibility with EASR exhaust shutter models, they allow convenient manual opening and closing to regulate airflow as needed. Built for durability and smooth operation, these operators offer a practical, low-maintenance solution for commercial and industrial ventilation applications.

EDP No.	Catalog No.	Description
80111	Manual Chain Operator	for EASR-MF 10" - 38" 1 Panel Shutter
80112	Manual Chain Operator	for EASR-MF 44" - 54" 2 Panel Shutter



ENGINEERED SYSTEM SOLUTIONS

ENGINEERING DEPTH
SYSTEM CONTROL
LEAD-TIME DOMINANCE
REAL-WORLD APPLICATIONS

ENGINEERING DEPTH

A TRUE SYSTEM, NOT A COLLECTION OF PARTS

Complex ventilation projects often fail when individual components are selected independently and expected to perform as a system. Airflow becomes unbalanced, controls fight each other, and performance drifts over time. Airmaster eliminates that risk by delivering a single, engineered ventilation system designed, configured, and supported as one coordinated package.

Airmaster provides fully engineered systems built from more than 150 modular components, assembled into complete, application-specific solutions, integrating

- Exhaust and supply fans
- Dampers and louvers
- Controls and staging logic
- Heaters, filters, and accessories
- Mounting, housings, and transitions

Everything is selected and sized to operate together, reducing field adjustments, startup issues, and performance drift over time.



SYSTEM CONTROL

HOW AIRMASTER SPEC SYSTEMS ARE DEVELOPED

Every ventilation system begins with a clear understanding of how the space is used, how air needs to move, and what conditions must be controlled. Airmaster works from real operating requirements, not generic assumptions, to define the right system for each application.

Using a flexible, component-based platform, systems are configured to match building size, airflow targets, exhaust and makeup air balance, and environmental demands such as heat, moisture, and airborne contaminants. Control strategies, staging, and energy use are selected to support both performance and operating cost over time.

Because Airmaster systems are built from a broad library of compatible components, adjustments can be made quickly as project details evolve. Whether airflow requirements change, space constraints shift, or schedules tighten, the system can be refined without restarting the process or introducing long delays.

The outcome is a fully defined ventilation package that reflects how the facility will actually operate. Our systems are engineered for reliability, configured for efficiency, and delivered with the speed required to keep projects moving.





LEAD-TIME DOMINANCE

SPEED IS THE SYSTEM ADVANTAGE

Fast, engineered delivery is not an afterthought at Airmaster; it is a core design principle.

Airmaster's ability to generate value through speed is rooted in its localized, vertically integrated business model. By consolidating design, engineering, fabrication, and assembly within a single Michigan facility, the company effectively removes the logistical bottlenecks and communication delays that typically plague global supply chains. This internal control allows engineered system quotes to be delivered in approximately half the time of competitors, providing project managers with the rare luxury of early budget certainty and schedule stability.

In the high-stakes environments of construction and retrofit, these compressed timelines are essential for maintaining the momentum of a project. Because modern construction often operates on narrow margins, a delay in ventilation can stall subsequent trades like electrical or interior finishing, turning a single component into a major financial bottleneck.

By prioritizing fast delivery as a core design principle, Airmaster ensures that the ventilation system acts as a catalyst for project completion rather than a source of cascading cost and operational risk.

REAL-WORLD

APPLICATIONS

Airmaster ventilation systems serve as critical infrastructure across a diverse range of global industries, providing the environmental stability necessary for both specialized machinery and human safety.

In food processing, agriculture, and forestry, these systems manage high-stakes demands by facilitating climate-controlled defrosting and maintaining the air quality essential for livestock and lumber preservation.

In hospitals and education, the focus shifts to infection control and indoor air quality, utilizing advanced filtration to eliminate airborne risks while ensuring learning environments remain quiet and energy-efficient.

The reliability of these systems is equally vital for technical and heavy-industrial operations, such as data centers and utilities. As compute densities rise to support AI and cloud workloads, Airmaster's mission-critical ventilation manages extreme thermal loads to prevent localized hotspots and ensure hardware uptime.

Beyond these core sectors, these solutions are essential for transportation hubs, modular construction, and large-scale infrastructure projects.

Whether maintaining the pressure balance in a high-tech cleanroom or providing durable air circulation in a transit garage, Airmaster provides a rapidly delivered solution that ensures the operational continuity of the facility it serves.



AIRMASTER

QUALITY YOU CAN FEEL

SUPPORT & QUOTING



(517) 764-2300



sales@airmasterfan.com

engineering@airmasterfan.com

HEADQUARTERS



9229 S. Meridian Rd.
Clarklake, MI 49234

OUR INVITATION TO YOU

Seeing is believing, and we welcome the opportunity to show you around our headquarters in Clarklake, Michigan. During your visit to our 120,000 sq. ft. manufacturing facility, you'll gain a clear understanding of our capabilities, cutting-edge technology, and the disciplined processes that produce climate control products built to perform and engineered to last. Most importantly, you'll see what truly sets Airmaster apart is our people: skilled professionals whose expertise, commitment, and craftsmanship represent an American standard of hard work and pride that simply can't be matched.

TOTAL CLIMATE CONTROL

See our complete line of air flow solutions, including fans, circulators, and heaters, at

WWW.AIRMASTERFAN.COM

