

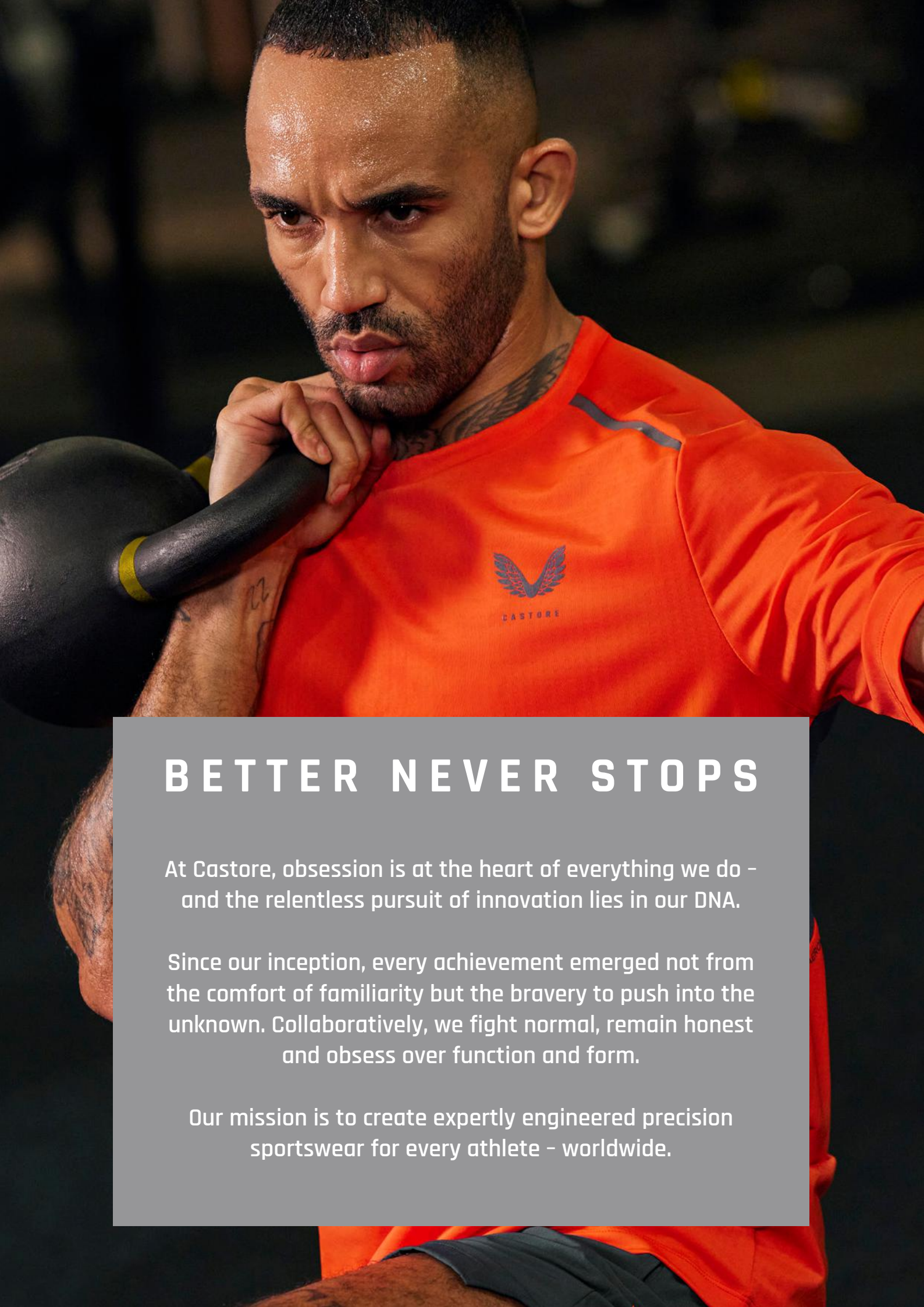


CASTORE

TEAMWEAR

2024





**WE ENGINEER PERFORMANCE**

Castore was founded in 2016 in Liverpool by brothers and former sportsmen; Tom and Phil Beahon. They noticed the lack of premium sportswear available in the market and looked to resolve this to help improve athletes performance world-wide. The ethos of 'Better Never Stops' was established as the guiding brand principle three months into the launch of the company and is still a key message for the brand to this day.



**WE OBSESS EVERY EDGE:**

Through technological advancements, we provide performance athletic wear that uplifts athletes with the edge they need to reach their highest potential. From initial stages to delivery, we push the boundaries of hybrid sportswear - seeking innovative ways to challenge our athletes' limits.

**BETTER NEVER STOPS**

At Castore, obsession is at the heart of everything we do - and the relentless pursuit of innovation lies in our DNA.

Since our inception, every achievement emerged not from the comfort of familiarity but the bravery to push into the unknown. Collaboratively, we fight normal, remain honest and obsess over function and form.

Our mission is to create expertly engineered precision sportswear for every athlete - worldwide.

**WE SEEK GAINS THROUGH PARTNERSHIPS**

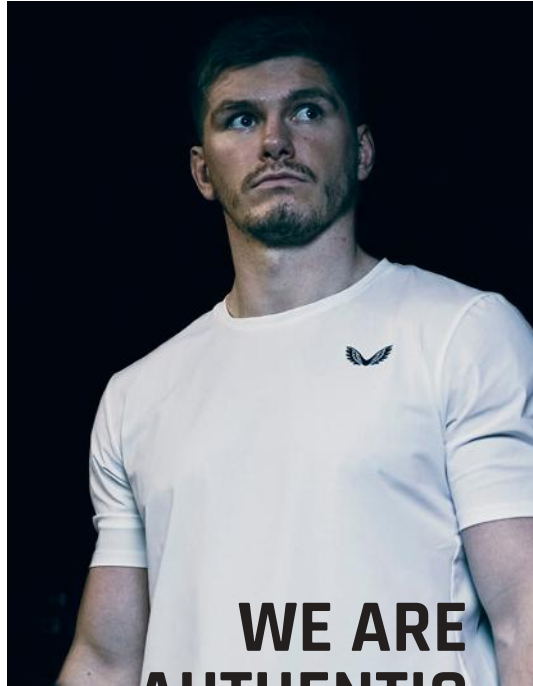
We seek gains through innovation and partnerships with ambitious teams and exceptional athletes. And as we continue to evolve and iterate, we draw inspiration from those who've dared to explore their own edges - people who've ventured beyond their comfort zones, and individuals who have transformed the ordinary into the extraordinary.

Together we can rise above setbacks and discover our own edge.

**WE STRIVE FOR BETTER IMPACT**







**WE ARE  
AUTHENTIC**



**WE ARE  
OBSESSED**



**WE ARE BRAVE**

**WE ARE AUTHENTIC**

We focus on authenticity over popularity, always prioritising the raw, unfiltered truth of athletic ambition and struggle. We deeply understand the needs of our customers, producing original designs that remain true to our roots and values.

**WE ARE OBSESSED**

At Castore, we obsess over functionality and form - ensuring that our products not only look good, but work exceptionally well. We are committed to collaboration, detail obsession and continual testing as part of our promise to deliver high-performing, functional sportswear. We create products that seamlessly blend aesthetics and functionality.

**WE ARE BRAVE**

Storytelling is at the heart of our brand. Our stories highlight the glory of human endeavour - the struggles, triumphs, and lessons that come with pushing past limits and taking the road less travelled. Whether it's about an athlete's journey or our brand's commitment to excellence, we aim to tell stories that resonate, engage and inspire.



# CASTORE'S ATHLETES



01 / Adam Peaty

04 / England Cricket

07 / Rangers FC

02 / Lando Norris

05 / Respol Honda Racing Corporation

08 / Bayer Leverkusen

03 / Harelquins Rugby

06 / Sir Andy Murray

09 / Leinster Rugby



# CONTENTS



**FOOTBALL** 06-13



**CRICKET** 22-31



**RUGBY** 14-21



**HOCKEY** 32-38

<b>CASTORE STOCKED TRAINING WEAR</b>	39-58
<b>ACCESSORIES</b>	59-67
<b>MADE TO ORDER (MTO) PROGRAMME</b>	68
<b>MTO FOOTBALL</b>	70-73
<b>MTO RUGBY</b>	74-76
<b>MTO CRICKET</b>	77-82
<b>MTO NETBALL</b>	83-85
<b>MTO BASKETBALL</b>	86-88
<b>MTO HOCKEY</b>	89-90
<b>MTO MULTI-SPORT</b>	91-96





**FOOTBALL**







BOTANICAL GARDEN

**TRAINING TEE**

**PRODUCT SPECIFICATION**

Crew neck collar  
 Set in sleeve construction  
 Forward shoulder seam  
 Heat sealed Castore logo  
 100% Polyester

**SIZING**

MEN'S: XS-7XL / **TM3492**  
 WOMENS: 6-20 / **TF3492**  
 JUNIOR: JS-JXL / **TJ3492**



CAVIAR    DARK SLATE    HIGH RISE    WHITE    PEACOCK    BIKING RED



TRUE RED    BEETROOT PURPLE    BRIGHT MARIGOLD    AQUARIUS    SURF THE WEB

**LS TRAINING TEE**

**PRODUCT SPECIFICATION**

Crew neck collar  
 Set in sleeve construction  
 Forward shoulder seam  
 Heat sealed Castore logo

**SIZING**

MEN'S: XS-7XL / **TM3493**  
 WOMENS: 6-20 / **TF3493**  
 JUNIOR: JS-JXL / **TJ3493**



SURF THE WEB



CAVIAR    DARK SLATE    HIGH RISE    WHITE    PEACOCK    BIKING RED



TRUE RED    BEETROOT PURPLE    BRIGHT MARIGOLD    AQUARIUS    BOTANICAL GARDEN





BOTANICAL GARDEN/  
BAYBERRY

### SS MARBLE TRAINING TEE

#### PRODUCT SPECIFICATION

Crew neck collar  
Set in sleeve construction  
Forward shoulder seam  
Heat sealed Castore logo  
Sublimated front body

#### SIZING

MEN'S: XS-7XL / **TM2721**  
WOMENS: 6-20 / **TF2721**  
JUNIOR: JS-JXL / **TJ2721**



PEACOAT/  
IMPERIAL BLUE

BEETROOT PURPLE/  
VERY BERRY

WHITE/  
HIGH RISE

AQUARIUS/  
BATCHELOR BUTTON



TRUE RED/  
BARBADOS CHERRY

CAVIAR/  
CHILI PEPPER

SURF THE WEB/  
VICTORIA BLUE

WHITE/  
ALLURE

### MATCH SHORT

#### PRODUCT SPECIFICATION

Elasticated waistband  
with drawcord channel  
Heat sealed Castore logo  
100% Polyester

#### SIZING

MEN'S: XS-7XL / **TM2402**  
WOMENS: 6-20 / **TF2402**  
JUNIOR: JS-JXL / **TJ2402**



BOTANICAL GARDEN



CAVIAR

DARK SLATE

HIGH RISE

WHITE



PEACOAT

BIKING RED

TRUE RED

BEETROOT PURPLE



BRIGHT MARIGOLD

AQUARIUS

SURF THE WEB





CAVIAR/WHITE

**FOOTBALL PERFORMANCE SOCK WITH STRIPE**

**PRODUCT SPECIFICATION**

Knit rib construction  
 Fold over rib  
 Stripe at fold edge  
 Knitted Castore logo  
 95% Polyester / 5% Elastane

**SIZING**

UK ADULTS 3-14 / **TU2431**

UK JUNIOR 13-3 / **TU2431**



PEACOCK/WHITE

WHITE/CAVIAR

HIGH RISE/WHITE

RED/WHITE

SURF THE WEB/  
WHITE

BOTANICAL GARDEN/  
WHITE



WHITE/CAVIAR





CASTORE

**MTO**  
**FOOTBALL**





**SET-IN SLEEVE**  
FB2763



**SET-IN SLEEVE SIDE PANELS**  
FB2764



**SET-IN SLEEVE SHOULDER PANELS**  
FB2765



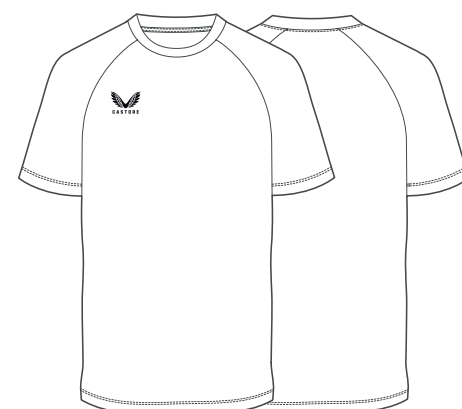
**SET-IN SLEEVE**  
FB2768



**SET-IN SLEEVE SIDE PANELS**  
FB2769



**SET-IN SLEEVE SHOULDER PANELS**  
FB2770



**RAGLAN SLEEVE**  
FB2766



**RAGLAN SLEEVE SIDE PANELS**  
FB2767

**SS JERSEY**

**PRODUCT SPECIFICATION**

Heat sealed Castore logo  
100% polyester

**SIZING**

MENS: XS-7XL / **TM-MENS**  
WOMENS: 6-20 / **TF-WOMENS**  
KIDS: JS-JXL / **TJ-JUNIORS**

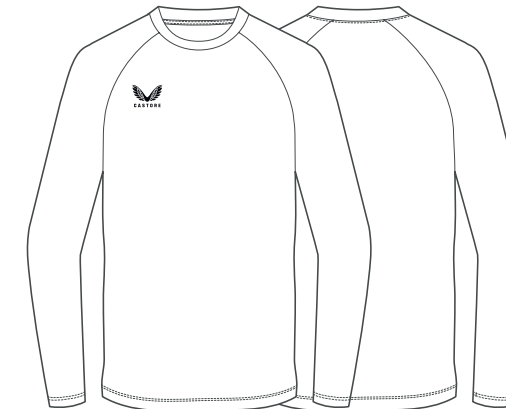
**LS JERSEY**

**PRODUCT SPECIFICATION**

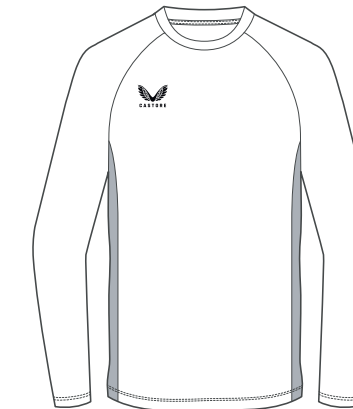
Heat sealed Castore logo  
100% polyester

**SIZING**

MENS: XS-7XL / **TM-MENS**  
WOMENS: 6-20 / **TF-WOMENS**  
KIDS: JS-JXL / **TJ-JUNIORS**



**RAGLAN SLEEVE**  
FB2771

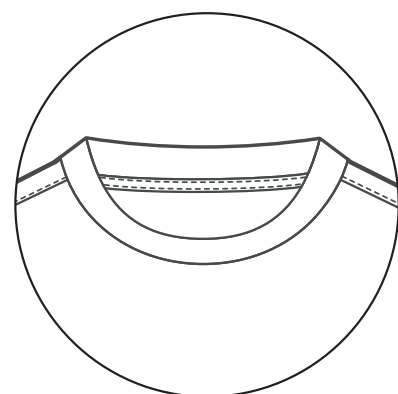


**RAGLAN SLEEVE SIDE PANELS**  
FB2772

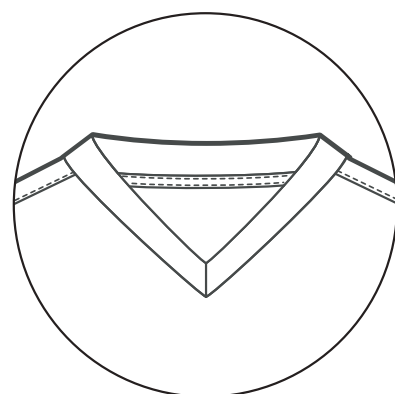




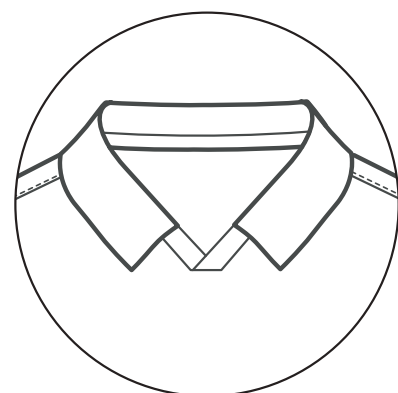
**FOOTBALL NECKLINES**  
SELF FABRIC



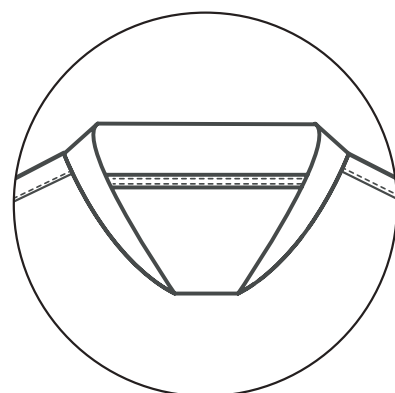
**CREW NECK SELF FABRIC**  
NFB-01



**V-NECK SELF FABRIC**  
NFB-02

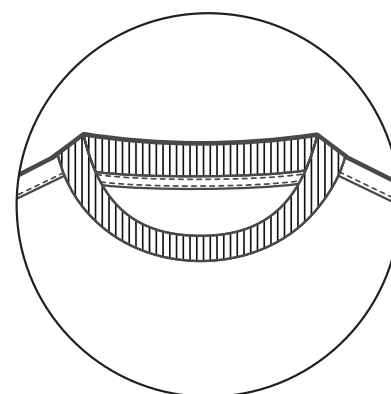


**FOLD-OVER POLO SELF FABRIC**  
NFB-03

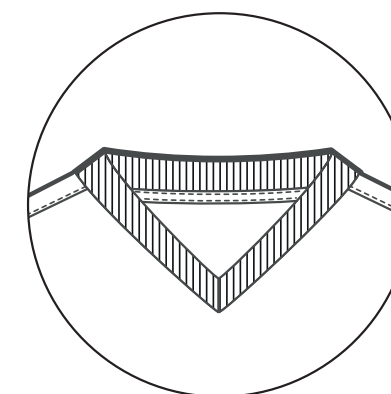


**TAPERD COLLAR SELF FABRIC**  
NFB-04

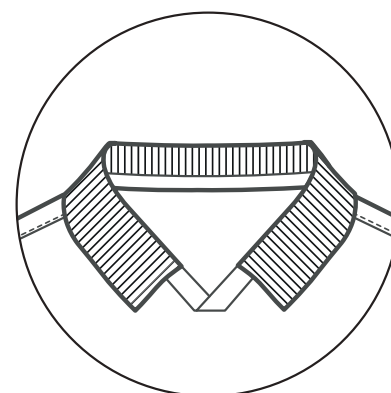
**FOOTBALL NECKLINES**  
RIBBED



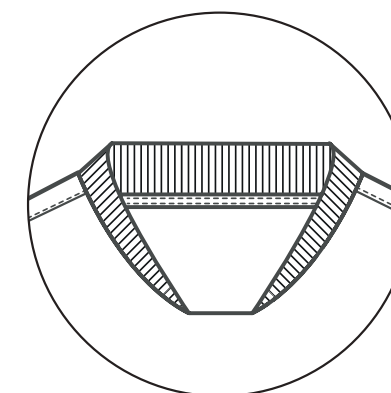
**CREW NECK RIBBED**  
NFB-05



**V-NECK RIBBED**  
NFB-06

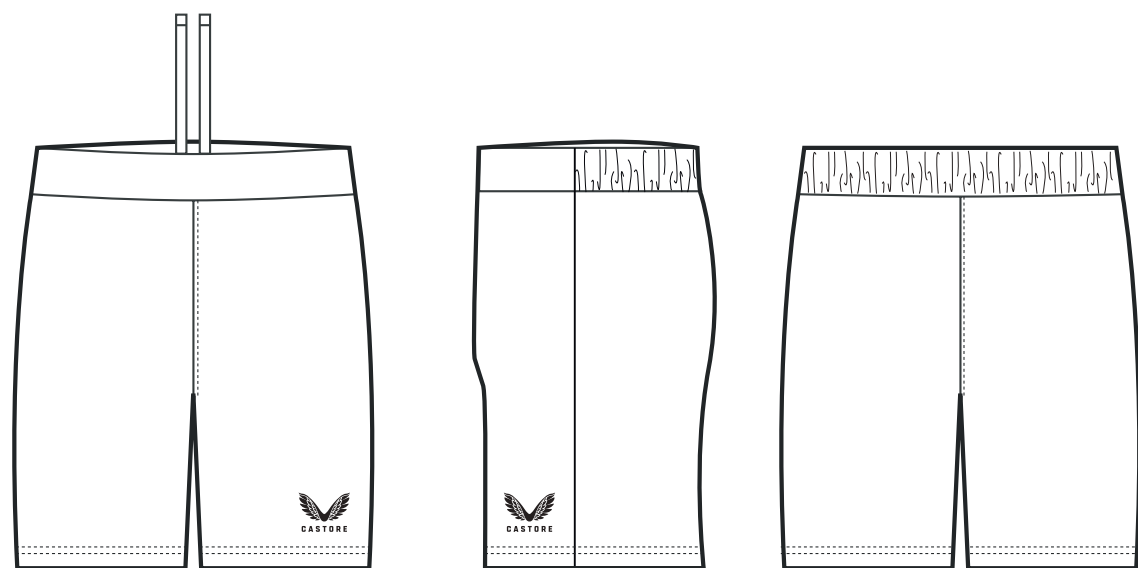


**FOLD-OVER POLO RIBBED**  
NFB-07



**TAPERD COLLAR RIBBED**  
NFB-08





**STANDARD**  
FB2773

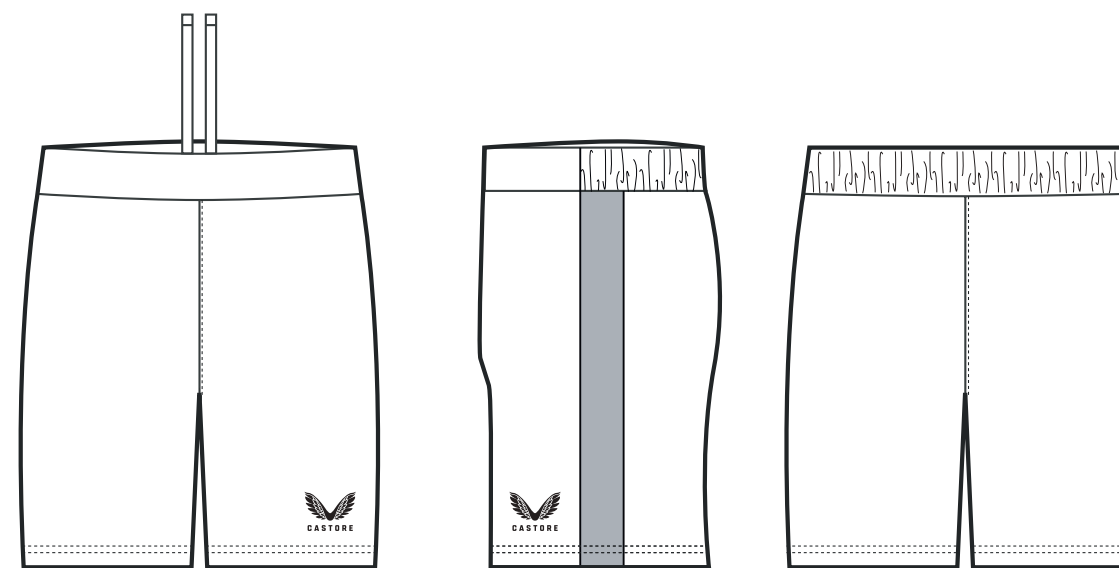
**SHORTS STANDARD**

**PRODUCT SPECIFICATION**

Heat sealed Castore logo  
100% polyester  
Internal drawcord  
In-seam length 7"  
Elasticated back waistband

**SIZING**

MENS: XS-7XL / **TM-MENS**  
WOMENS: 6-20 / **TF-WOMENS**  
KIDS: JS-JXL / **TJ-JUNIORS**



**SIDE PANELS**  
FB2774

**SHORTS SIDE PANELS**

**PRODUCT SPECIFICATION**

Heat sealed Castore logo  
100% polyester  
Internal drawcord  
In-seam length 7"  
Elasticated back waistband

**SIZING**

MENS: XS-7XL / **TM-MENS**  
WOMENS: 6-20 / **TF-WOMENS**  
KIDS: JS-JXL / **TJ-JUNIORS**







CASTORE



RUGBY





PEACOCK

**RUGBY TRAINING TEE**

**PRODUCT SPECIFICATION**

Self fabric crew neck collar  
 Forward shoulder seam  
 Reinforced seams  
 Contact ready  
 Heat sealed Castore logo  
 100% Polyester

**SIZING**

MEN'S: XS-7XL / **TM6794**  
 WOMENS: 6-20 / **TF6794**  
 JUNIOR: JS-JXL / **TJ6794**



CAVIAR

TRUE RED

SURF THE WEB

**PRO RUGBY SHORT**

**PRODUCT SPECIFICATION**

Internal drawcord  
 Elasticated waistband  
 Twin needle stitching across all seams  
 Bar tack secure hem  
 12cm Inseam  
 90% Polyester / 10% Elastane  
 Heat sealed Castore logo

**SIZING**

MEN'S: XS-7XL / **TM6793**  
 WOMENS: 6-20 / **TF6793**  
 JUNIOR: JS-JXL / **TJ6793**



CAVIAR



PEACOCK

TRUE RED

SURF THE WEB





PEACOCK

### RUGBY TRAINING SHORT

#### PRODUCT SPECIFICATION

- Internal drawcord
- Silicone gripper inside waistband
- Vents at hem
- 4 way stretch
- Mens / Womens 5.5" Inseam
- 88% Polyester / 12% Elastane
- Heat sealed Castore logo

#### SIZING

- MEN'S: XS-7XL / **TM2404**
- WOMENS: 6-20 / **TF2404**
- JUNIOR: JS-JXL / **TJ2404**



CAVIAR



TRUE RED



PEACOCK





PEACOCK

**RUGBY CONTACT TOP**

**PRODUCT SPECIFICATION**

Ribbed v-neck collar  
 Elasticated hem and cuffs  
 Water repellent fabric and mesh lined  
 Reinforced seams  
 Contact ready  
 Heat sealed Castore logo  
 100% Polyester

**SIZING**

MEN'S: XS-7XL / **TM3500**  
 WOMENS: 6-20 / **TF3500**  
 JUNIOR: JS-JXL / **TJ3500**



CAVIAR

TRUE RED

SURF THE WEB

BOTANICAL GARDEN

**RUGBY CONTACT PANT**

**PRODUCT SPECIFICATION**

Internal drawcord  
 Elasticated waistband and cuffs  
 Water repellent fabric and mesh lined  
 Reinforced seams  
 Contact ready  
 Heat sealed Castore logo  
 100% Polyester

**SIZING**

MEN'S: XS-7XL / **TM2401**  
 WOMENS: 6-20 / **TF2401**  
 JUNIOR: JS-JXL / **TJ2401**



CAVIAR



PEACOCK





CAVIAR/WHITE

**FOOTBALL PERFORMANCE SOCK WITH STRIPE**

**PRODUCT SPECIFICATION**

Knit rib construction  
 Fold over rib  
 Stripe at fold edge  
 Knitted Castore logo  
 95% Polyester / 5% Elastane

**SIZING**

UK ADULTS 3-14 / **TU2431**

UK JUNIOR 13-3 / **TU2431**



PEACOCK/WHITE

WHITE/CAVIAR

HIGH RISE/WHITE

RED/WHITE

SURF THE WEB/  
WHITE

BOTANICAL GARDEN/  
WHITE



PEACOCK/WHITE

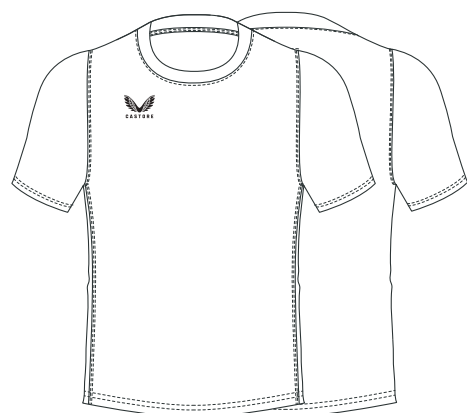




CASTORE

**MTO**  
**RUGBY**





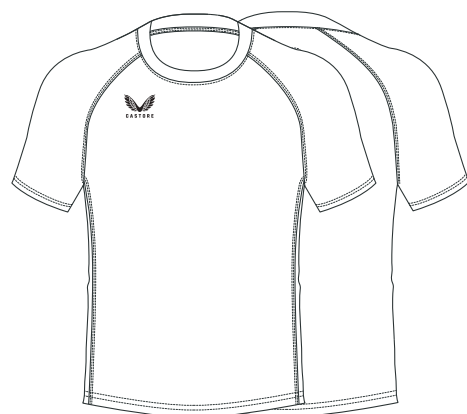
**SET-IN SLEEVE**  
PRO FIT - RB2775  
STANDARD FIT - RB2780



**SET-IN SLEEVE SIDE PANELS**  
PRO FIT - RB2776  
STANDARD FIT - RB2781



**SET-IN SLEEVE SHOULDER PANELS**  
PRO FIT - RB2777  
STANDARD FIT - RB2782



**RAGLAN SLEEVE**  
PRO FIT - RB2778  
STANDARD FIT - RB2783



**RAGLAN SLEEVE SIDE PANELS**  
PRO FIT - RB2779  
STANDARD FIT - RB2784

**JERSEY**

**PRODUCT SPECIFICATION**

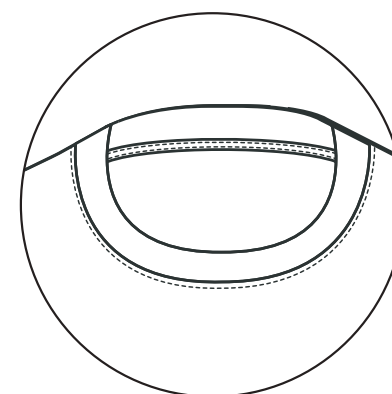
Heat sealed Castore logo  
100% polyester  
Flatlock seams  
Reinforced collar

**SIZING**

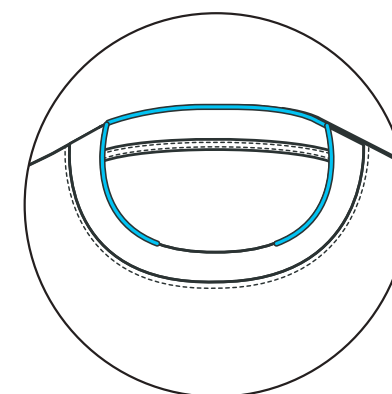
MENS: XS-7XL / **TM-MENS**  
WOMENS: 6-20 / **TF-WOMENS**  
KIDS: JS-JXL / **TJ-JUNIORS**



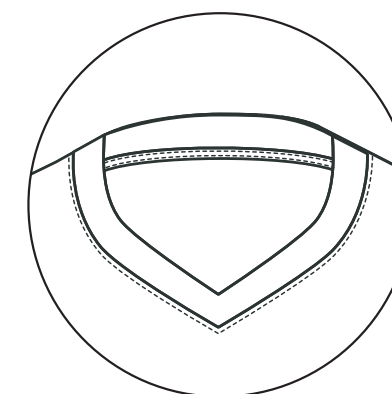
**RUGBY NECKLINES**



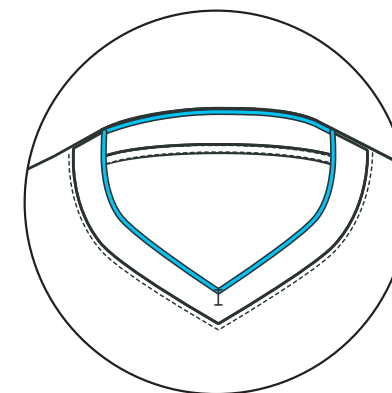
**CREW NECK**  
NRB-01



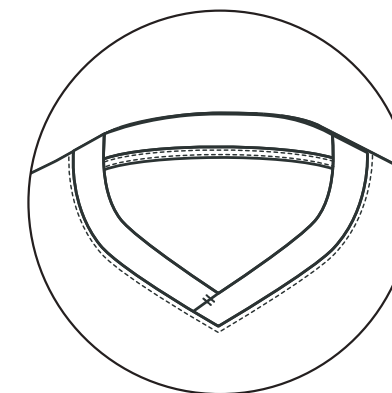
**CREW NECK CONTRAST PIPING**  
NRB-02



**V-NECK**  
NRB-03

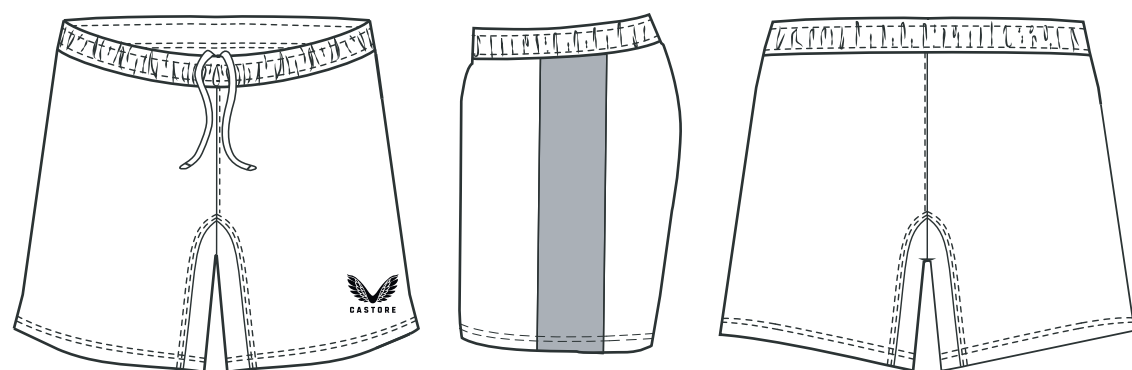


**V-NECK CONTRAST PIPING**  
NRB-04



**V-NECK CROSS OVER**  
NRB-05





**SIDE PANELS**  
RB2786

### SHORTS SIDE PANELS

#### PRODUCT SPECIFICATION

Heat sealed Castore logo  
100% polyester  
Internal drawcord  
In-seam length 5"  
Fully elasticated waistband

#### SIZING

MENS: XS-7XL / **TM-MENS**  
WOMENS: 6-20 / **TF-WOMENS**  
KIDS: JS-JXL / **TJ-JUNIORS**







**CRICKET**





CANNOLI CREAM

**CRICKET TECH  
PLAYING SHIRT**

**PRODUCT SPECIFICATION**

3 button placket  
Forward shoulder seam  
Split at side seam hem  
Slight curved back hem  
Heat sealed Castore logo  
90% Polyester / 10% Elastane

**SIZING**

MEN'S: XS-7XL / **TM2427**  
WOMENS: 6-20 / **TF2427**  
JUNIOR: JS-JXL / **TJ2427**



CANNOLI CREAM

**CRICKET PLAYING  
SHIRT**

**PRODUCT SPECIFICATION**

Self-fabric collar  
Shoulder and sleeve panelling  
Dropped hem for coverage  
Set-in sleeve construction  
3 button placket  
Side splits at hem  
Heat sealed Castore logo  
100% Polyester

**SIZING**

MEN'S: XS-7XL / **TM2419**  
WOMENS: 6-20 / **TF2419**  
JUNIOR: JS-JXL / **TJ2419**



CANNOLI CREAM

**CRICKET LONG SLEEVE  
TECH PLAYING SHIRT**

**PRODUCT SPECIFICATION**

3 button placket  
Forward shoulder seam  
Split at side seam hem  
Slight curved back hem  
Heat sealed Castore logo  
90% Polyester / 10% Elastane

**SIZING**

MEN'S: XS-7XL / **TM2428**  
WOMENS: 6-20 / **TF2428**  
JUNIOR: JS-JXL / **TJ2428**



CANNOLI CREAM

**CRICKET LONG  
SLEEVE SHIRT**

**PRODUCT SPECIFICATION**

Self-fabric collar  
Shoulder and sleeve panelling  
Dropped hem for coverage  
Set-in sleeve construction  
3 button placket  
Side splits at hem  
Heat sealed Castore logo  
100% Polyester

**SIZING**

MEN'S: XS-7XL / **TM2420**  
WOMENS: 6-20 / **TF2420**  
JUNIOR: JS-JXL / **TJ2420**







CANNOLI CREAM

### CRICKET KNITTED LONG SLEEVE JUMPER

#### PRODUCT SPECIFICATION

V neck collar  
 Ribbed cuffs and hem  
 Cable knit  
 Long raglan sleeve  
 Side body rib for extra strength  
 100% Recycled Acrylic

#### SIZING

MEN'S: XS-7XL / **TM2430**  
 JUNIOR: JS-JXL / **TJ2430**



### CRICKET SLEEVELESS KNITTED JUMPER

#### PRODUCT SPECIFICATION

V neck collar  
 Ribbed hem  
 Cable knit  
 Raglan shaping over shoulder  
 Side body rib for extra strength  
 100% Recycled Acrylic

#### SIZING

MEN'S: XS-7XL / **TM2906**  
 JUNIOR: JS-JXL / **TJ2906**



CANNOLI CREAM



CANNOLI CREAM

### CRICKET TROUSER

#### PRODUCT SPECIFICATION

Drawcord waistband  
 Mock fly front  
 Open side pocket  
 Mesh panels  
 Heat sealed Castore logo  
 94% Polyester / 6% Elastane

#### SIZING

MEN'S: XS-7XL / **TM2423**  
 WOMENS: 6-20 / **TF2423**  
 JUNIOR: JS-JXL / **TJ2423**



### CRICKET JUMPER

#### PRODUCT SPECIFICATION

Mitred v neck  
 Mesh panels  
 Brush back material  
 with ribbed cuff and collar  
 Heat sealed Castore logo  
 88% Polyester / 12% Elastane

#### SIZING

MEN'S: XS-7XL / **TM2421**  
 WOMENS: 6-20 / **TF2421**  
 JUNIOR: JS-JXL / **TJ2421**



CANNOLI CREAM







CANNOLI CREAM

### CRICKET SLEEVELESS JUMPER

#### PRODUCT SPECIFICATION

Mitred v neck  
Mesh panels  
Brush back material with ribbed collar  
Armhole cuff  
Heat sealed Castore logo  
88% Polyester / 12% Elastane

#### SIZING

MEN'S: XS-7XL / **TM2422**  
WOMENS: 6-20 / **TF2422**  
JUNIOR: JS-JXL / **TJ2422**







CASTORE

**MTO**  
**CRICKET**





**SET-IN SLEEVE**  
CK2787



**SET-IN SLEEVE SIDE PANELS**  
CK2788



**SET-IN SLEEVE SHOULDER PANELS**  
CK2789



**SET-IN SLEEVE**  
CK2792



**SET-IN SLEEVE SIDE PANELS**  
CK2793



**SET-IN SLEEVE SHOULDER PANELS**  
CK2794



**RAGLAN SLEEVE**  
CK2790



**RAGLAN SLEEVE SIDE PANELS**  
CK2791

**SS POLO**

**PRODUCT SPECIFICATION**

Heat sealed Castore logo  
100% polyester

**SIZING**

MENS: XS-7XL / **TM-MENS**  
WOMENS: 6-20 / **TF-WOMENS**  
KIDS: JS-JXL / **TJ-JUNIORS**

**LS POLO**

**PRODUCT SPECIFICATION**

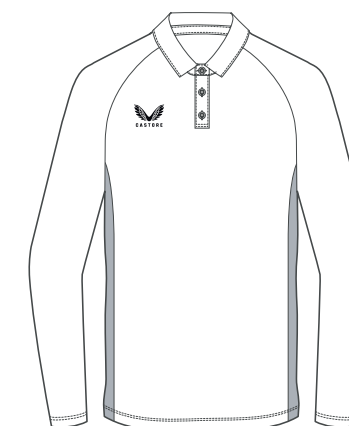
Heat sealed Castore logo  
100% polyester

**SIZING**

MENS: XS-7XL / **TM-MENS**  
WOMENS: 6-20 / **TF-WOMENS**  
KIDS: JS-JXL / **TJ-JUNIORS**



**RAGLAN SLEEVE**  
CK2795

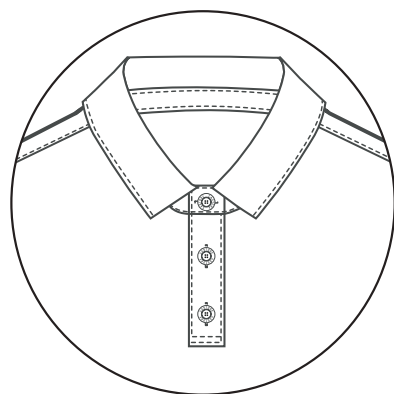


**RAGLAN SLEEVE SIDE PANELS**  
CK2796

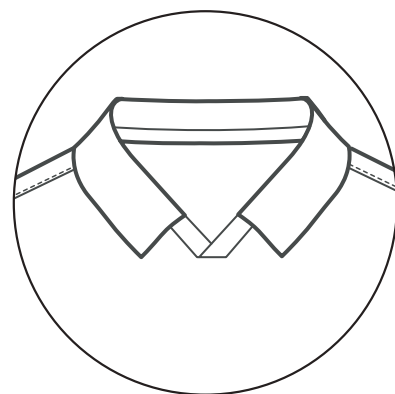




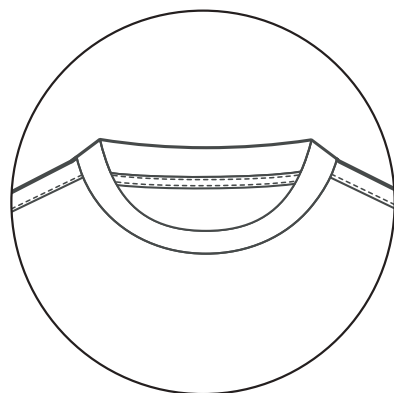
**CRICKET POLO NECKLINES**  
SELF FABRIC



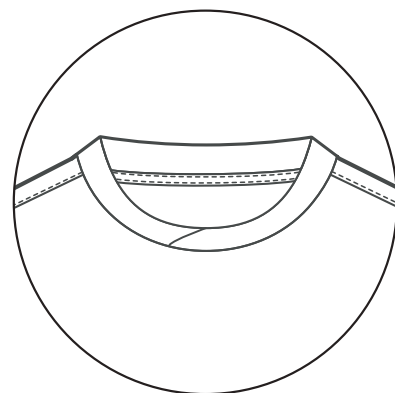
**FOLD-OVER BUTTON POLO SELF FABRIC**  
NCKP-01



**FOLD-OVER POLO CROSS OVER SELF FABRIC**  
NCKP-02

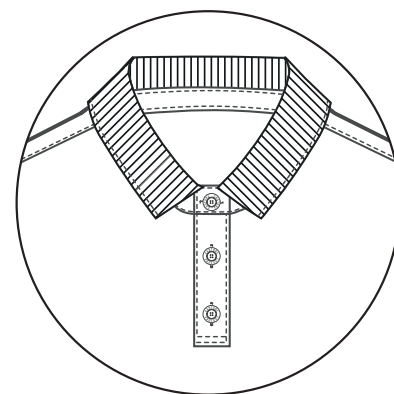


**CREW NECK SELF FABRIC**  
NCKP-03

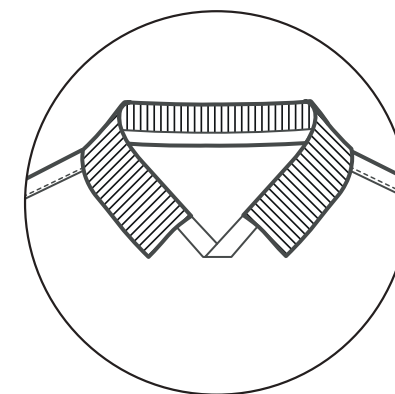


**CREW NECK CROSS OVER SELF FABRIC**  
NCKP-04

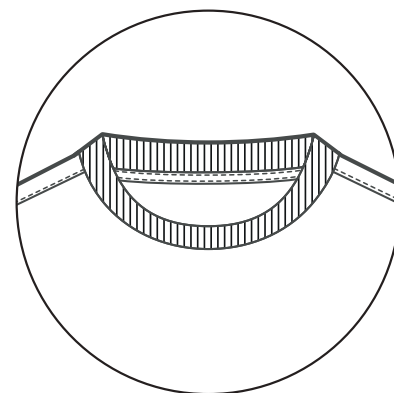
**CRICKET POLO NECKLINES**  
RIBBED



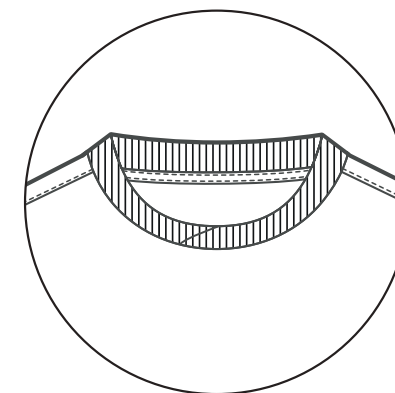
**FOLD-OVER BUTTON POLO RIBBED**  
NCKP-05



**FOLD-OVER POLO CROSS OVER RIBBED**  
NCKP-06

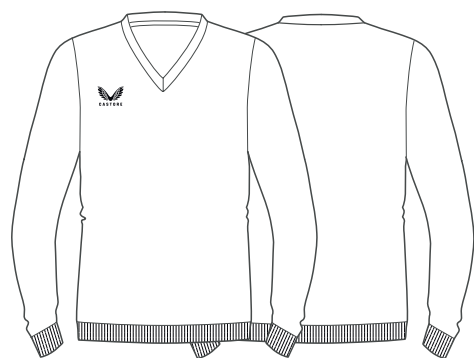


**CREW NECK RIBBED**  
NCKP-07



**CREW NECK CROSS OVER RIBBED**  
NCKP-08





**SET-IN SLEEVE**  
CK2797



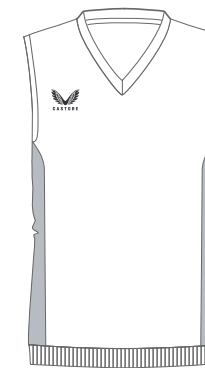
**SET-IN SLEEVE SIDE PANELS**  
CK2798



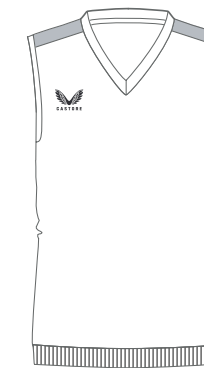
**SET-IN SLEEVE SHOULDER PANELS**  
CK2799



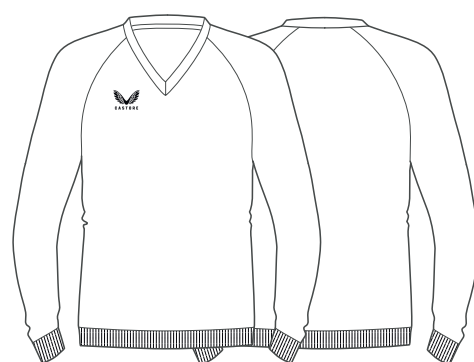
**SET-IN SLEEVE**  
CK2802



**SET-IN SLEEVE SIDE PANELS**  
CK2803



**SET-IN SLEEVE SHOULDER PANELS**  
CK2804



**RAGLAN SLEEVE**  
CK2800



**RAGLAN SLEEVE SIDE PANELS**  
CK2801

**LS SWEATSHIRT**

**PRODUCT SPECIFICATION**  
Heat sealed Castore logo  
100% polyester

**SIZING**  
MENS: XS-7XL / **TM-MENS**  
WOMENS: 6-20 / **TF-WOMENS**  
KIDS: JS-JXL / **TJ-JUNIORS**



**SLEEVELESS SWEATSHIRT**

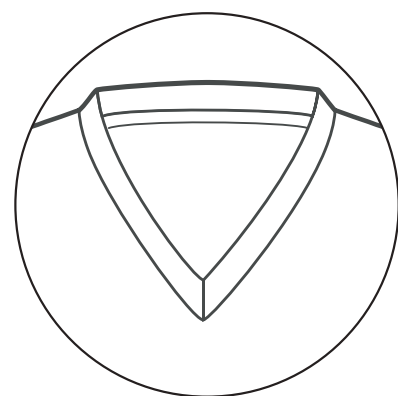
**PRODUCT SPECIFICATION**  
Heat sealed Castore logo  
100% polyester

**SIZING**  
MENS: XS-7XL / **TM-MENS**  
WOMENS: 6-20 / **TF-WOMENS**  
KIDS: JS-JXL / **TJ-JUNIORS**

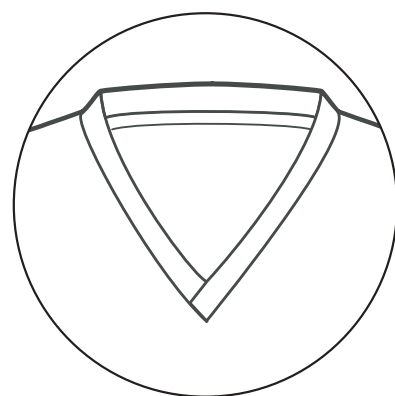




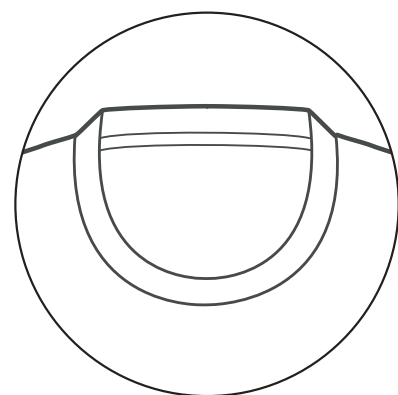
**CRICKET SWEATSHIRTS NECKLINES**  
SELF FABRIC



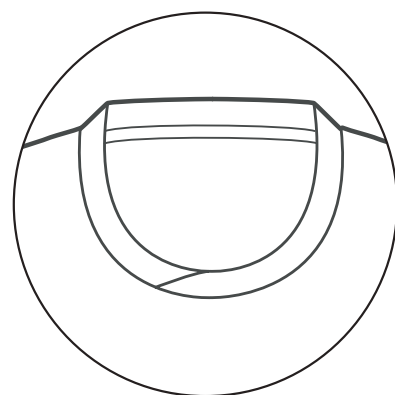
**V-NECK SELF FABRIC**  
NCKS-01



**V-NECK CROSS OVER SELF FABRIC**  
NCKS-02

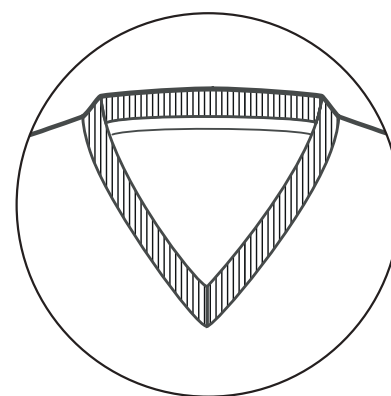


**CREW NECK SELF FABRIC**  
NCKS-03

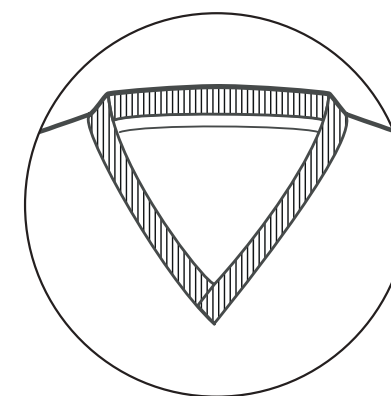


**CREW NECK CROSS OVER SELF FABRIC**  
NCKS-04

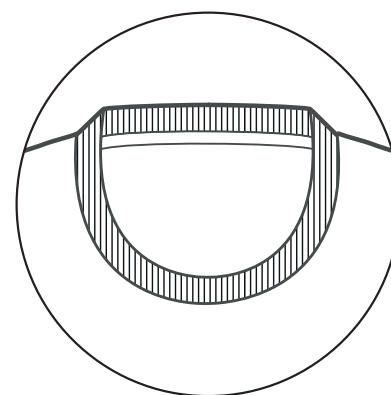
**CRICKET SWEATSHIRTS NECKLINES**  
RIBBED



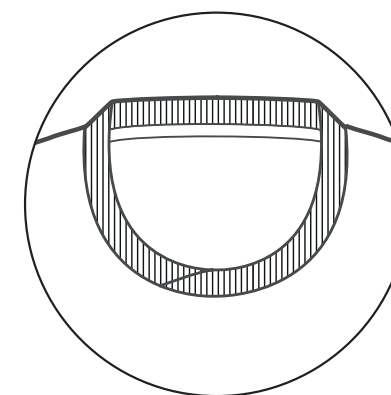
**V-NECK RIBBED**  
NCKS-05



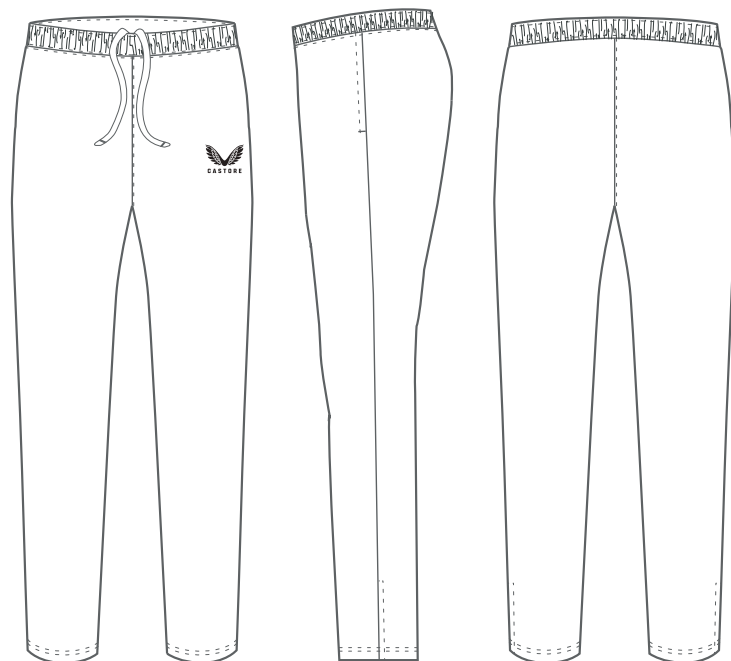
**V-NECK CROSS OVER RIBBED**  
NCKS-06



**CREW NECK RIBBED**  
NCKS-07



**CREW NECK CROSS OVER RIBBED**  
NCKS-08



**STANDARD**  
CK2805

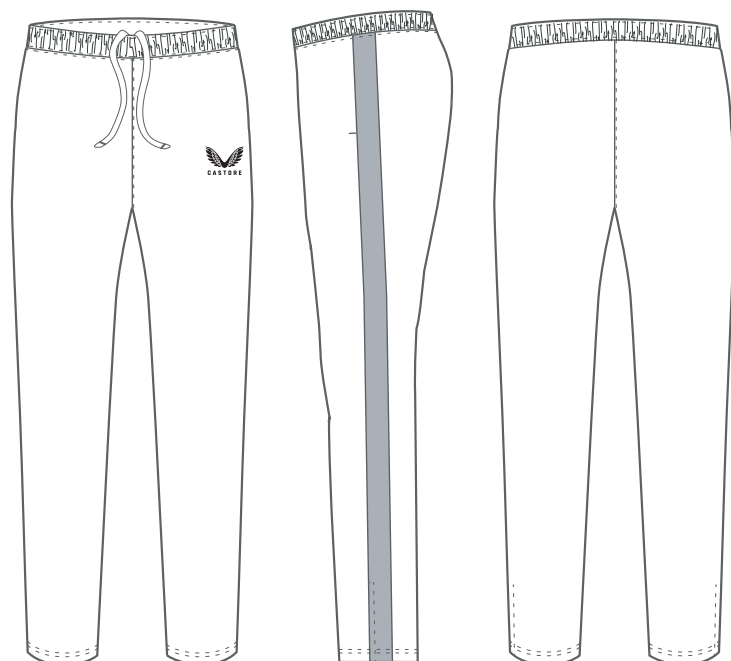
**TROUSERS STANDARD**

**PRODUCT SPECIFICATION**

- Heat sealed Castore logo
- 100% polyester
- Internal drawcord
- Open side pocket
- Zip side seam opening at hem
- Fully elasticated waistband

**SIZING**

- MENS: XS-7XL / **TM-MENS**
- WOMENS: 6-20 / **TF-WOMENS**
- KIDS: JS-JXL / **TJ-JUNIORS**



**SIDE PANELS**  
CK2806

**TROUSERS SIDE PANELS**

**PRODUCT SPECIFICATION**

- Heat sealed Castore logo
- 100% polyester
- Internal drawcord
- Open side pocket
- Zip side seam opening at hem
- Fully elasticated waistband

**SIZING**

- MENS: XS-7XL / **TM-MENS**
- WOMENS: 6-20 / **TF-WOMENS**
- KIDS: JS-JXL / **TJ-JUNIORS**







**HOCKEY**





BOTANICAL GARDEN

**TRAINING TEE**

**PRODUCT SPECIFICATION**

Crew neck collar  
 Set in sleeve construction  
 Forward shoulder seam  
 Heat sealed Castore logo  
 100% Polyester

**SIZING**

MEN'S: XS-7XL / **TM3492**  
 WOMENS: 6-20 / **TF3492**  
 JUNIOR: JS-JXL / **TJ3492**



**PERFORMANCE POLO**

**PRODUCT SPECIFICATION**

Self-fabric collar  
 Three button placket  
 Forward shoulder seam  
 Heat sealed Castore logo  
 100% Polyester

**SIZING**

MEN'S: XS-7XL / **TM3496**  
 WOMENS: 6-20 / **TF3496**  
 JUNIOR: JS-JXL / **TJ3496**



WHITE



CAVIAR    DARK SLATE    HIGH RISE    WHITE    PEACOCK    BIKING RED



CAVIAR    PEACOCK    TRUE RED



TRUE RED    BEETROOT PURPLE    BRIGHT MARIGOLD    AQUARIUS    SURF THE WEB



SURF THE WEB    BOTANICAL GARDEN





SURF THE WEB

**TRAINING SINGLET**

**PRODUCT SPECIFICATION**

Crew neck collar  
Heat sealed Castore logo  
100% Polyester

**SIZING**

MEN'S: XS-7XL / **TM3494**  
JUNIOR: JS-JXL / **TJ3494**



**WOMENS TRAINING VEST**

**PRODUCT SPECIFICATION**

Crew neck collar  
Racer back  
Heat sealed Castore logo  
100% Polyester

**SIZING**

WOMENS: 6-20 / **TF2406**



PEACOCK



CAVIAR    DARK SLATE    HIGH RISE    WHITE    PEACOCK    BIKING RED



TRUE RED    BEETROOT PURPLE    BRIGHT MARIGOLD    AQUARIUS    BOTANICAL GARDEN



CAVIAR    DARK SLATE    HIGH RISE    WHITE    BIKING RED    TRUE RED



BEETROOT PURPLE    BRIGHT MARIGOLD    AQUARIUS    SURF THE WEB    BOTANICAL GARDEN



BOTANICAL GARDEN

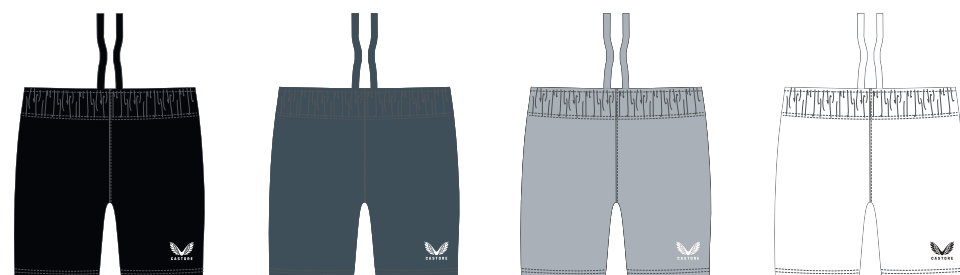
**MATCH SHORT**

**PRODUCT SPECIFICATION**

Elasticated waistband with drawcord channel  
Heat sealed Castore logo  
100% Polyester

**SIZING**

MEN'S: XS-7XL / **TM2402**  
WOMENS: 6-20 / **TF2402**  
JUNIOR: JS-JXL / **TJ2402**



CAVIAR

DARK SLATE

HIGH RISE

WHITE



PEACOAT

BIKING RED

TRUE RED

BEETROOT PURPLE



BRIGHT MARIGOLD

AQUARIUS

SURF THE WEB

**WOMENS SKORT**

**PRODUCT SPECIFICATION**

Elasticated waistband with flat construction to the front  
Built-in-brief attached at waistband  
Mesh pockets on inner short  
Heat sealed Castore logo  
85% Polyester / 15% Spandex

**SIZING**

WOMENS: 6-20 / **TF2405**  
JUNIOR: JS-JXL / **TJ2405**



WHITE



CAVIAR

DARK SLATE



PEACOAT

SURF THE WEB





CAVIAR/WHITE

**FOOTBALL PERFORMANCE SOCK WITH STRIPE**

**PRODUCT SPECIFICATION**

Knit rib construction  
 Fold over rib  
 Stripe at fold edge  
 Knitted Castore logo  
 95% Polyester / 5% Elastane

**SIZING**

UK ADULTS 3-14 / **TU2431**  
 UK JUNIOR 13-3 / **TU2431**



PEACOCK/WHITE

WHITE/CAVIAR

HIGH RISE/WHITE

RED/WHITE

SURF THE WEB/  
WHITE

BOTANICAL GARDEN/  
WHITE



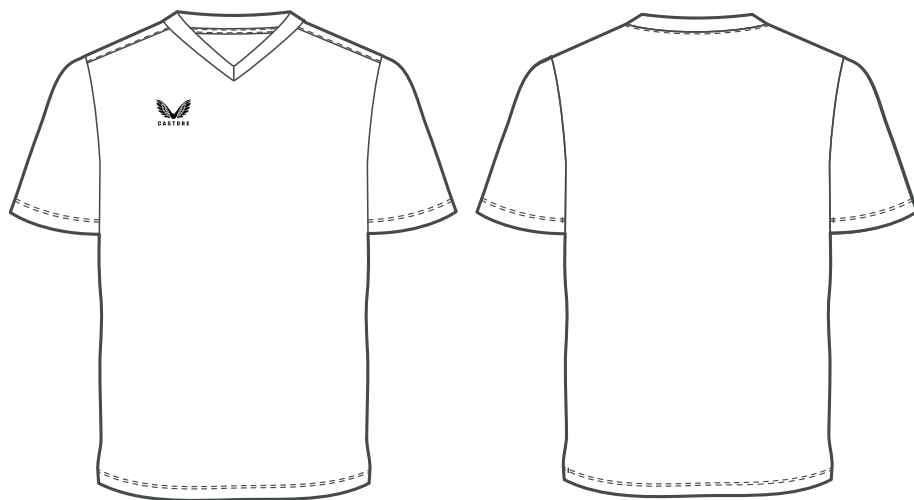
PEACOCK/WHITE



CASTORE

MTO  
HOCKEY





### GOALKEEPER SMOCK

#### PRODUCT SPECIFICATION

Heat sealed Castore logo  
100% polyester

#### SIZING

MENS: XS-7XL / **TM-MENS**  
WOMENS: 6-20 / **TF-WOMENS**  
KIDS: JS-JXL / **TJ-JUNIORS**

#### STANDARD

HK4169





# STOCKED TRAINING WEAR





BOTANICAL GARDEN

### TRAINING TEE

#### PRODUCT SPECIFICATION

Crew neck collar  
Set in sleeve construction  
Forward shoulder seam  
Heat sealed Castore logo  
100% Polyester

#### SIZING

MEN'S: XS-7XL / **TM3492**  
WOMENS: 6-20 / **TF3492**  
JUNIOR: JS-JXL / **TJ3492**



CAVIAR    DARK SLATE    HIGH RISE    WHITE    PEACOCK    BIKING RED



TRUE RED    BEETROOT PURPLE    BRIGHT MARIGOLD    AQUARIUS    SURF THE WEB

### SS MARBLE TRAINING TEE

#### PRODUCT SPECIFICATION

Crew neck collar  
Set in sleeve construction  
Forward shoulder seam  
Heat sealed Castore logo  
Sublimated front body

#### SIZING

MEN'S: XS-7XL / **TM2721**  
WOMENS: 6-20 / **TF2721**  
JUNIOR: JS-JXL / **TJ2721**



BOTANICAL GARDEN/  
BAYBERRY



PEACOCK/  
IMPERIAL BLUE    BEETROOT PURPLE/  
VERY BERRY    WHITE/  
HIGH RISE    AQUARIUS/  
BACHELOR BUTTON



TRUE RED/  
BARBADOS CHERRY    CAVIAR/  
CHILI PEPPER    SURF THE WEB/  
VICTORIA BLUE    WHITE/  
ALLURE



HIGH RISE

**COTTON LEISURE TEE**

**PRODUCT SPECIFICATION**

Self-fabric crew neck collar  
 Forward shoulder seam  
 Heat sealed Castore logo  
 100% Cotton Single Jersey

**SIZING**

MEN'S: XS-7XL / **TM3491**  
 WOMENS: 6-20 / **TF3491**  
 JUNIOR: JS-JXL / **TJ3491**



CAVIAR    DARK SLATE    WHITE    PEACOAT    BIKING RED    TRUE RED



BEETROOT PURPLE    BRIGHT MARIGOLD    AQUARIUS    SURF THE WEB    BOTANICAL GARDEN



PEACOAT





WHITE

### PERFORMANCE POLO

#### PRODUCT SPECIFICATION

Self-fabric collar  
 Three button placket  
 Forward shoulder seam  
 Heat sealed Castore logo  
 100% Polyester

#### SIZING

MEN'S: XS-7XL / **TM3496**  
 WOMENS: 6-20 / **TF3496**  
 JUNIOR: JS-JXL / **TJ3496**



CAVIAR

PEACOAT

TRUE RED



SURF THE WEB

BOTANICAL GARDEN

### COTTON LEISURE POLO

#### PRODUCT SPECIFICATION

Self-fabric collar  
 Three button placket  
 Forward shoulder seam  
 Heat sealed Castore logo  
 60% Cotton / 40% Polyester

#### SIZING

MEN'S: XS-7XL / **TM3495**  
 WOMENS: 6-20 / **TF3495**  
 JUNIOR: JS-JXL / **TJ3495**



BOTANICAL GARDEN



CAVIAR

DARK SLATE

HIGH RISE

WHITE



PEACOAT

TRUE RED

SURF THE WEB



SURF THE WEB

**TRAINING SINGLET**

**PRODUCT SPECIFICATION**

Crew neck collar  
Heat sealed Castore logo  
100% Polyester

**SIZING**

MEN'S: XS-7XL / **TM3494**



CAVIAR      WHITE      PEACOAT      TRUE RED      BOTANICAL GARDEN

**WOMENS TRAINING VEST**

**PRODUCT SPECIFICATION**

Crew neck collar  
Racer back  
Heat sealed Castore logo  
100% Polyester

**SIZING**

WOMENS: 6-20 / **TF2406**



PEACOAT



CAVIAR      WHITE      TRUE RED      SURF THE WEB      BOTANICAL GARDEN





**MARBLE PRINTED WOMENS SINGLET**

**PRODUCT SPECIFICATION**

Crew neck collar  
 Racer back  
 Heat sealed Castore logo  
 Sublimated front body  
 100% Polyester

**SIZING**

WOMENS: 6-20 / **TF2742**

JUNIOR: JS-JXL / **TJ2742**



CAVIAR/CHILI PEPPER



PEACOCK/  
IMPERIAL BLUE



BEETROOT PURPLE/  
VERY BERRY



BRILLIANT WHITE/  
ARCTIC ICE



TRUE RED/  
BARBADOS CHERRY



BOTANICAL GARDEN/  
BAYBERRY



AQUARIUS/  
BACHELOR BUTTON



SURF THE WEB/  
VICTORIA BLUE



BRILLIANT WHITE/  
ALLURE



CAVIAR



SURF THE WEB

**WOVEN TRAINING SHORT**

**PRODUCT SPECIFICATION**

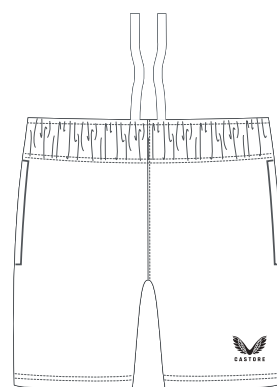
Drawcord at waistband  
Welt zip pockets  
4cm Side seam split  
4 way stretch  
Mens 7" Inseam  
88% Polyester / 12% Elastane  
Heat sealed Castore logo

**SIZING**

MEN'S: XS-7XL / **TM2403**  
WOMENS: 6-20 / **TF2403**  
JUNIOR: JS-JXL / **TJ2403**



CAVIAR



WHITE



PEACOAT



TRUE RED

**WOVEN TRAINING SHORTS WITH OPEN POCKETS**

**PRODUCT SPECIFICATION**

Drawcord at waistband and open pockets  
4cm Side seam split  
4 way stretch  
Mens 7" Inseam  
88% Polyester / 12% Elastane  
Heat sealed Castore logo

**SIZING**

MEN'S: XS-7XL / **TM5407**  
WOMENS: 6-20 / **TF5407**  
JUNIOR: JS-JXL / **TJ5407**



PEACOAT



CAVIAR





BOTANICAL GARDEN

**MATCH SHORT**

**PRODUCT SPECIFICATION**

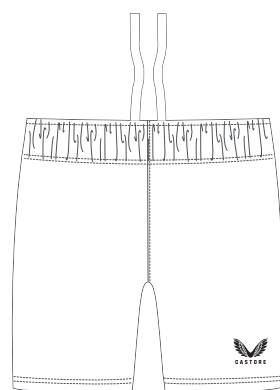
Elasticated waistband with drawcord channel  
Heat sealed Castore logo  
100% Polyester

**SIZING**

MEN'S: XS-7XL / **TM2402**  
WOMENS: 6-20 / **TF2402**  
JUNIOR: JS-JXL / **TJ2402**



CAVIAR



WHITE



PEACOAT



PEACOAT



TRUE RED

**WOMENS SKORT**

**PRODUCT SPECIFICATION**

Elasticated waistband with flat construction to the front  
Built-in-brief attached at waistband  
Mesh pockets on inner short  
Heat sealed Castore logo  
85% Polyester / 15% Spandex

**SIZING**

WOMENS: 6-20 / **TF2405**  
JUNIOR: JS-JXL / **TJ2405**



WHITE



CAVIAR



PEACOAT



SURF THE WEB



CAVIAR

### SLIM FIT PANT

#### PRODUCT SPECIFICATION

Streamline fit  
Drawcord at waistband  
Heat sealed Castore logo  
Open side seam pocket  
85% Polyester / 15% Spandex

#### SIZING

MEN'S: XS-7XL / **TM2397**  
WOMENS: 6-20 / **TF2397**  
JUNIOR: JS-JXL / **TJ2397**



### TRACK PANT

#### PRODUCT SPECIFICATION

Drawcord at waistband  
Open side pockets  
Slight tapered leg  
4 way stretch  
Heat sealed Castore logo  
88% Polyester / 12% Elastane

#### SIZING

MEN'S: XS-7XL / **TM2399**  
WOMENS: 6-20 / **TF2399**  
JUNIOR: JS-JXL / **TJ2399**



CAVIAR



PEACOAT



PEACOAT





CAVIAR



PEACOAT

### WOMENS LEGGING

#### PRODUCT SPECIFICATION

Self fabric folded waistband  
Flatlock seam finish  
Heat sealed Castore logo  
85% Polyester / 15% Spandex

#### SIZING

WOMENS: 6-20 / **TF2400**  
JUNIOR: JS-JXL / **TJ2400**



CAVIAR



HIGH RISE

### FULL ZIP BRUSHBACK HOODIE

#### PRODUCT SPECIFICATION

- 3 piece hood and kangaroo pockets
- Jersey lined hood
- Set in sleeve construction
- Ribbed hem and cuffs
- 1/4 zip with chingaurd
- Heat sealed Castore logo
- 100% Polyester Brush Back Fleece

#### SIZING

- MEN'S: XS-7XL / **TM2438**
- WOMENS: 6-20 / **TF2438**
- JUNIOR: JS-JXL / **TJ2438**



CAVIAR

PEACOCK

TRUE RED



SURF THE WEB

BOTANICAL GARDEN

### COTTON LEISURE HOODIE

#### PRODUCT SPECIFICATION

- Forward shoulder seam
- Self fabric folded cuff
- 3 piece hood and kangaroo pocket
- Jersey lined hood
- Heat sealed Castore logo
- 80% Cotton / 20% Polyester

#### SIZING

- MEN'S: XS-7XL / **TM4723**
- WOMENS: 6-20 / **TF4723**
- JUNIOR: JS-JXL / **TJ4723**



TRUE RED



CAVIAR

HIGH RISE

PEACOCK



SURF THE WEB

BOTANICAL GARDEN





CAVIAR

### SCUBA OVERHEAD HOODIE

#### PRODUCT SPECIFICATION

Forward shoulder seam  
 Self fabric folded cuff  
 3 piece hood and kangaroo pocket  
 Heat sealed Castore logo  
 High stretch fabric  
 94% Polyester / 6% Elastane

#### SIZING

MEN'S: XS-7XL / **TM3498**  
 WOMENS: 6-20 / **TF3498**  
 JUNIOR: JS-JXL / **TJ3498**



### BRUSHBACK OVERHEAD HOODIE

#### PRODUCT SPECIFICATION

Forward shoulder seam  
 Self fabric folded cuff  
 3 piece hood and kangaroo pocket  
 Jersey lined hood  
 Heat sealed Castore logo  
 100% Polyester Brush Back Fleece

#### SIZING

MEN'S: XS-7XL / **TM3497**  
 WOMENS: 6-20 / **TF3497**  
 JUNIOR: JS-JXL / **TJ3497**



CAVIAR



PEACOAT

BIKING RED

TRUE RED



SURF THE WEB

BOTANICAL GARDEN



PEACOAT

TRUE RED

SURF THE WEB

BOTANICAL GARDEN

### BRUSHBACK SWEATSHIRT

#### PRODUCT SPECIFICATION

Classic crew neckline  
Soft brushed back texture inside  
Set in sleeve construction  
Rib neck, cuff and hem  
Heat sealed Castore logo  
100% Polyester Brush Back Fleece

#### SIZING

MEN'S: XS-7XL / **TM2437**  
WOMENS: 6-20 / **TF2437**  
JUNIOR: JS-JXL / **TJ2437**



BOTANICAL GARDEN



### 1/4 ZIP

#### PRODUCT SPECIFICATION

Funnel neck  
Chinguard at zip to prevent abrasion  
Forward shoulder seam  
Set in sleeve construction  
Heat sealed Castore logo  
85% Polyester / 15% Spandex

#### SIZING

MEN'S: XS-7XL / **TM3499**  
WOMENS: 6-20 / **TF3499**  
JUNIOR: JS-JXL / **TJ3499**



CAVIAR



CAVIAR

HIGH RISE

PEACOAT



HIGH RISE

PEACOAT

TRUE RED



TRUE RED

SURF THE WEB



SURF THE WEB

BOTANICAL GARDEN





CAVIAR

### FLEECE LINED 1/4 ZIP

#### PRODUCT SPECIFICATION

Funnel neck  
Soft brushed back texture inside  
Set in sleeve construction  
1/4 Zip with chinguard  
Heat sealed Castore logo  
100% Polyester Brush Back Fleece

#### SIZING

MEN'S: XS-7XL / **TM2436**  
WOMENS: 6-20 / **TF2436**  
JUNIOR: JS-JXL / **TJ2436**



### TRACK JACKET

#### PRODUCT SPECIFICATION

Funnel neck  
Full zip with chinguard to prevent abrasion  
Set in sleeve construction  
Open side pockets  
4 way stretch  
Heat sealed Castore logo  
88% Polyester / 12% Elastane

#### SIZING

MEN'S: XS-7XL / **TM2391**  
WOMENS: 6-20 / **TF2391**  
JUNIOR: JS-JXL / **TJ2391**



CAVIAR



HIGH RISE



PEACOAT



TRUE RED



SURF THE WEB



BOTANICAL GARDEN



HIGH RISE



PEACOAT



TRUE RED



SURF THE WEB



BOTANICAL GARDEN



CAVIAR



PEACOAT

### SOFTSHELL JACKET

#### PRODUCT SPECIFICATION

- Funnel neck collar
- Set-in sleeve
- Zippered side pockets
- Heat sealed Castore logo
- 100% Polyester bonded with membrane

#### SIZING

- MEN'S: XS-7XL / **TM2439**
- WOMENS: 6-20 / **TF2439**
- JUNIOR: JS-JXL / **TJ2439**



PEACOAT





CAVIAR

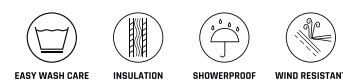
### BENCH JACKET

**PRODUCT SPECIFICATION**

Adjustable hood opening  
 Full zip with chinguard to prevent abrasion  
 Zipped side pockets  
 Padded for warmth  
 Heat sealed Castore logo  
 100% Polyester

**SIZING**

MEN'S: XS-7XL / **TM2392**  
 JUNIOR: JS-JXL / **TJ2392**



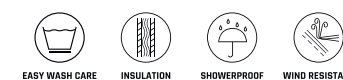
### LONG LENGTH BENCH JACKET

**PRODUCT SPECIFICATION**

Adjustable hood opening  
 Full zip with chinguard to prevent abrasion  
 Zipped side pockets  
 Increased length to keep warmer  
 Heat sealed Castore logo  
 Padded for warmth  
 100% Polyester

**SIZING**

MEN'S: XS-7XL / **TM2394**  
 JUNIOR: JS-JXL / **TJ2394**



PEACOAT



PEACOAT

TRUE RED

SURF THE WEB

BOTANICAL GARDEN



CAVIAR

TRUE RED

SURF THE WEB

BOTANICAL GARDEN



CAVIAR

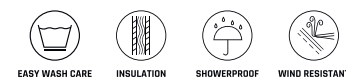
### PADDED GILET

#### PRODUCT SPECIFICATION

- Funnel neck
- Full zip with chinguard to prevent abrasion
- Zipped side pockets
- Padded for warmth
- Heat sealed Castore logo
- 100% Polyester

#### SIZING

- MEN'S: XS-7XL / **TM2396**
- JUNIOR: JS-JXL / **TJ2396**



PEACOCK

TRUE RED

SURF THE WEB

BOTANICAL GARDEN

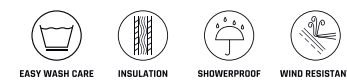
### PADDED GILET WITH HOOD

#### PRODUCT SPECIFICATION

- Adjustable hood opening
- Water repellent fabric
- Padded for warmth
- Heat sealed Castore logo
- 100% Polyester

#### SIZING

- MEN'S: XS-7XL / **TM2395**
- JUNIOR: JS-JXL / **TJ2395**



PEACOCK



CAVIAR

TRUE RED

SURF THE WEB

BOTANICAL GARDEN





### RAIN JACKET

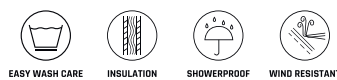
#### PRODUCT SPECIFICATION

- Adjustable hood opening
- Full zip with chinguard to prevent abrasion
- Zipped side pockets
- Mesh lined
- Heat sealed Castore logo
- 100% Polyester

#### SIZING

- MEN'S: XS-7XL / **TM2393**
- WOMENS: 6-20 / **TF2393**
- JUNIOR: JS-JXL / **TJ2393**

SURF THE WEB



CAVIAR

PEACOAT

TRUE RED

BOTANICAL GARDEN



PEACOAT



CAVIAR

### CHINO PANT

#### PRODUCT SPECIFICATION

Open side pockets  
Self-fabric belt loops  
Vents at hem  
Welt back pockets  
4 way stretch  
Heat sealed Castore logo  
97% Polyester / 3% Spandex

#### SIZING

MEN'S: XS-7XL / **TM2443**  
WOMENS: 6-20 / **TF2443**



PEACOAT

### CHINO SHORT

#### PRODUCT SPECIFICATION

Open side pockets  
Self-fabric belt loops  
Vents at hem  
Welt back pockets  
4 way stretch  
Heat sealed Castore logo  
97% Polyester / 3% Spandex

#### SIZING

MEN'S: XS-7XL / **TM2444**  
WOMENS: 6-20 / **TF2444**



CAVIAR



PEACOAT





CAVIAR

### CHINO SKIRT

#### PRODUCT SPECIFICATION

- Side seam zip pockets
- Dropped back hem
- Reverse welt back pockets with concealed zip fastening
- 4 way stretch
- Heat sealed Castore logo
- 97% Polyester / 3% Spandex

#### SIZING

WOMENS: 6-20 / **TF2445**



PEACOAT

### FINE KNIT COTTON JUMPER

#### PRODUCT SPECIFICATION

- Rib v-neck collar
- Set in sleeve
- Ribbed hem and cuff
- Embroidered Castore logo
- 100% Cotton

#### SIZING

MEN'S: XS-7XL / **TM2377**

WOMENS: 6-20 / **TF2377**

JUNIOR: JS-JXL / **TJ2377**



CAVIAR



PEACOAT





# ACCESSORIES & LUGGAGE





CAVIAR/WHITE

**FOOTBALL PERFORMANCE SOCK WITH STRIPE**

**PRODUCT SPECIFICATION**

Knit rib construction  
 Fold over rib  
 Stripe at fold edge  
 Knitted Castore logo  
 95% Polyester / 5% Elastane

**SIZING**

UK ADULTS 3-14 / **TU2431**  
 UK JUNIOR 13-3 / **TU2431**



PEACOAT/WHITE

WHITE/CAVIAR

HIGH RISE/WHITE

RED/WHITE

SURF THE WEB/  
WHITE

BOTANICAL GARDEN/  
WHITE

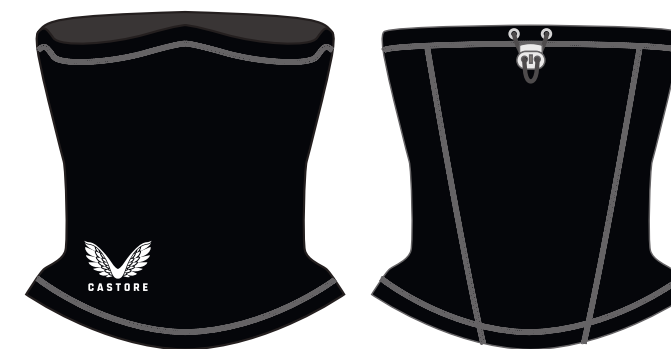
**PERFORMANCE SNOOD**

**PRODUCT SPECIFICATION**

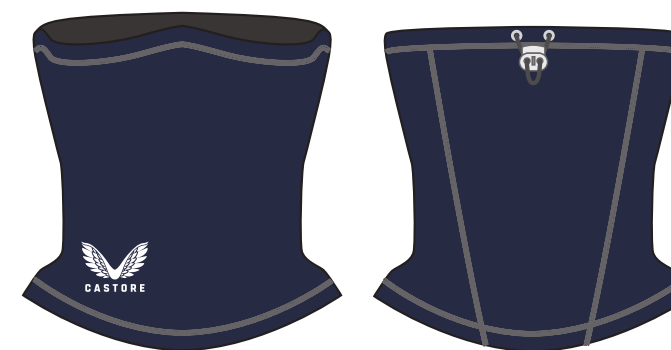
All over flatlock construction  
 Elastic cord and toggle  
 Dipped shaping over nose/cheeks  
 100% Polyester  
 Thermal  
 Heat sealed Castore logo

**SIZING**

ADULT'S: ONE SIZE / **TU2412**  
 JUNIOR: ONE SIZE / **TJ2412**



CAVIAR



PEACOAT

**PERFORMANCE GLOVE**

**PRODUCT SPECIFICATION**

Touch screen material at thumb and pointer finger  
 Folded cuff band  
 Reflective detail on the outer hand  
 88% Polyester / 12% Elastane  
 Heat sealed Castore logo

**SIZING**

ADULT'S: ONE SIZE / **TU2413**  
 JUNIOR: ONE SIZE / **TJ2413**



PEACOAT

CAVIAR





CAVIAR

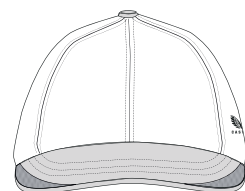
**PERFORMANCE CAP**

**PRODUCT SPECIFICATION**

- 5 Panel cap
- Plastic strap snap closure
- Mesh panels on peak
- 100% Polyester
- Emroidered Castore logo to side of cap

**SIZING**

- ADULT'S: ONE SIZE / TU2446
- JUNIOR: ONE SIZE / TJ2446



WHITE



HIGH RISE



PEACOAT



CAVIAR

**STOCK BEANIE**

**PRODUCT SPECIFICATION**

- Ribbed exterior
- 100% Polyester
- Fleece lined
- Embroidered Castore logo

**SIZING**

- ADULT'S: ONE SIZE / TU2411
- JUNIOR: ONE SIZE / TJ2411



DARK SLATE



HIGH RISE



PEACOAT







### UNISEX TRAINING BIB

#### PRODUCT SPECIFICATION

Scoop neckline in self fabric  
Binding finish on armholes  
100% Polyester  
Printed Castore logo

#### SIZING

MEN'S: XS-7XL / TU0078  
WOMENS: 6-20 / TU0078  
JUNIOR: JS-JXL / TJ0078



GREY

WHITE

RED

YELLOW



ORANGE

BLUE

PURPLE

GREEN

### 2 PACK BASIC ANKLE SOCK

#### PRODUCT SPECIFICATION

Shaped around ankle  
Light cushioning at ankle/toe  
Arch support  
Castore wings knitted at toe  
98% Polymide / 2% Elastane

#### SIZING

UK 8-11 / CU0030



CAVIAR



BREATHABLE EASY WASH CARE LIGHTWEIGHT QUICK DRY ACTIVE STRETCH

### 2 PACK BASIC CREW SOCK

#### PRODUCT SPECIFICATION

Rib elastication  
Castore logo knitted at side  
98% Polymide / 2% Elastane

#### SIZING

UK 8-11 / CU0031



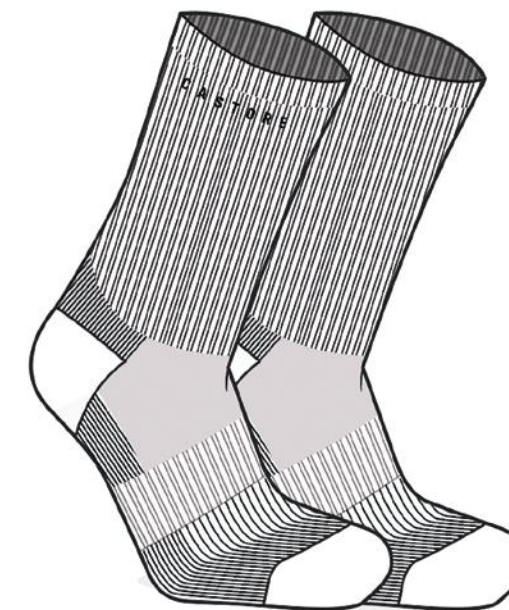
CAVIAR



BREATHABLE EASY WASH CARE LIGHTWEIGHT QUICK DRY ACTIVE STRETCH



WHITE



WHITE



### 2 PACK BASIC HIDDEN SOCK

#### PRODUCT SPECIFICATION

Light cushioning at toe  
Castore wings knitted at toe  
98% Polymide / 2% Elastane

#### SIZING

UK 8-11 / CU0032



CAVIAR



WHITE



### GPS HOLSTER

#### PRODUCT SPECIFICATION

GPS pocket on the back  
Elasticated binding at all edges  
Raised silicon grip on interior  
Heat sealed Castore logo

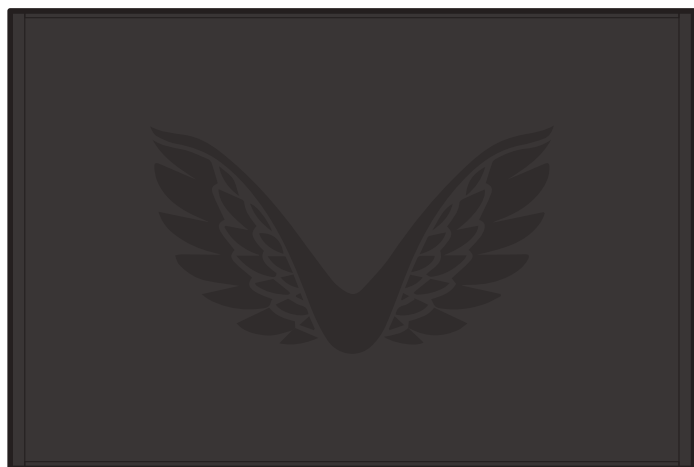
#### SIZING

MEN'S: XS-7XL / TM0234



CAVIAR





CAVIAR

### HAND TOWEL

**PRODUCT SPECIFICATION**  
48CM X 60CM  
Woven Castore wings logo

**SIZING**  
ONE SIZE / JCSS21HT



EASY WASH CARE



CAVIAR

### BEACH TOWEL

**PRODUCT SPECIFICATION**  
70CM X 160CM  
Woven Castore word logo

**SIZING**  
ONE SIZE / JCSS21BT



EASY WASH CARE



NAVY

### SLIDER

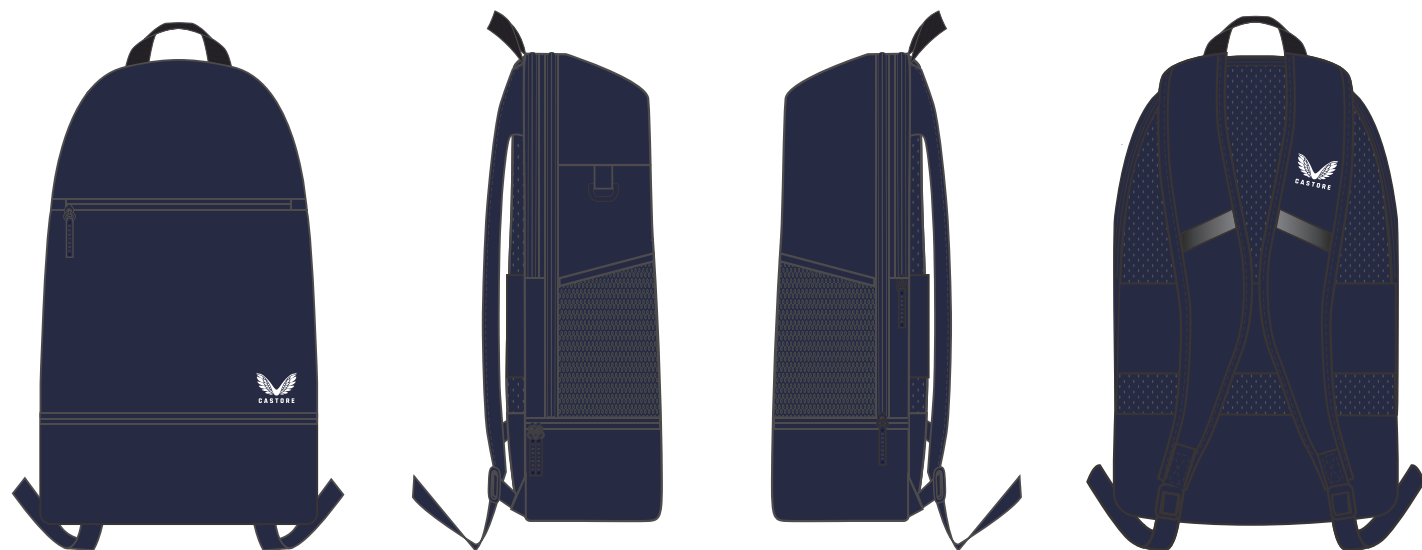
**PRODUCT SPECIFICATION**  
Raised matte Castore logo  
Castore word logo along side

**SIZING**  
UK 6 - UK 14 / JCSS21SLD

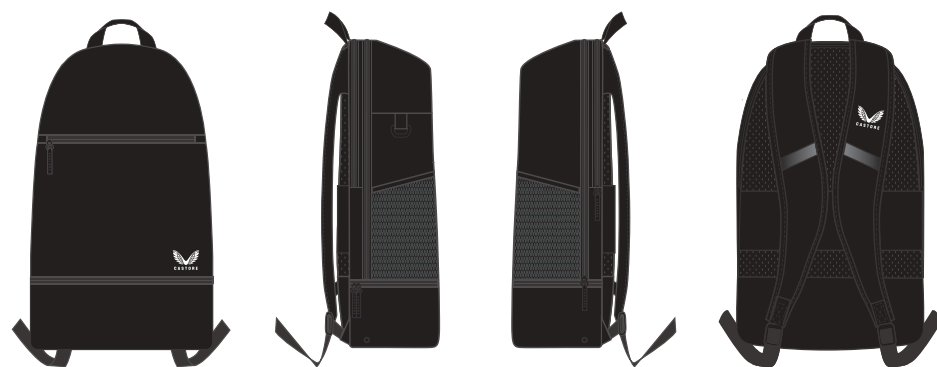


CAVIAR





PEACOAT



CAVIAR

### BACKPACK

#### PRODUCT SPECIFICATION

- Front pocket
- Elasticated mesh side pockets
- Waterproof footwear pocket
- Zip openings

#### SIZING

ONE SIZE / TU4783



CAVIAR



CAVIAR

### BALL BAG

**PRODUCT SPECIFICATION**

- Mesh body
- Adjustable slider drawcord
- Side zip pocket
- Padded strap
- Heat seal Castore logos

**SIZING**

ONE SIZE / TU0158



LIGHTWEIGHT

### SMALL WHEELIE BAG

**PRODUCT SPECIFICATION**

- Retractable pull handle
- Front zip pocket
- 4 rotating wheels at base
- Padded handles
- Heat seal Castore logo

**SIZING**

ONE SIZE / TU3640



CAVIAR

### HOLDALL

**PRODUCT SPECIFICATION**

- Waterproof footwear pocket
- Adjustable Shoulder strap
- Handle strap
- Zip pockets
- Heat seal Castore logo

**SIZING**

ONE SIZE / TU0155



EASY WASH CARE



LIGHTWEIGHT



WATER RESISTANT



CAVIAR

### LARGE WHEELIE BAG/ KIT BAG

**PRODUCT SPECIFICATION**

- Waterproof footwear zip pocket
- Zip pockets
- Bottom stoppers
- 2 wheels at base
- Retractable pull handle

**SIZING**

ONE SIZE / TU0157



CAVIAR





CASTORE

**MTO**  
**CATALOGUE**  
**2024**

## MADE-TO-ORDER

### ORDER PROCESS:

1. Get in touch with our teamwear specialists at [teamwear@castore.com](mailto:teamwear@castore.com)
2. Select your desired product
3. Customise your kit to meet your teams' requirements, choosing tailored fit, design and collar options
4. Design the garment with your unique team colours, logos and details
5. Sign off your designs and place the order with our sales team
6. We'll keep you updated on your order status and have your brand-new kit with you from as quick as 8 weeks

### HOW IS MY KIT MADE?

We work with world class industry leading factories across the world, utilising the best techniques and manufacturing processes that push the boundaries of performance sportswear. Through technological advancements, we can provide your team with a unique identity - blending aesthetics with high performance athletic wear.

We provide the option to fully customise your kit through our sublimation process which prints any colour and design to a recycled polyester garment, to ensure that your kit perfectly aligns to your team colours. Cut and sew options enable multiple coloured panelling within your garment to exude a standout pop of your teams identity.

Need kit fast? See our stock ranges for immediately available stocked products, where you can customise with your logos and sponsors to make bespoke to your team.

### DESIGN PROCESS:

Our team of in-house designers are on hand to support you with every step of your customisation journey. At Castore, we understand that your heritage and club identity is of the utmost importance, so whether you know exactly what you require or you're looking for our specialists to provide you with some inspiration, we are on hand to help you.

Get in touch now at [teamwear@castore.com](mailto:teamwear@castore.com) to kickstart your kit design process.

## STOCKED PRODUCT

### ORDER PROCESS:

1. Get in touch with our teamwear specialists at [teamwear@castore.com](mailto:teamwear@castore.com).
2. Select your desired product.
3. Select your kit to meet your teams' requirements.
4. Create your final product including any embellishment that needs to be added such as club crests, names and numbers.
5. Sign off and place the order with our sales team.
6. We'll keep you updated on your order status and have your brand-new kit with you from 1 week for blank product and 2-3 weeks for embellished product.

### DESIGN PROCESS:

Our in-house team are on hand to support you with every step of your customisation journey. At Castore, we understand that your heritage and club identity is of the utmost importance, so whether you know exactly what you require or you're looking for our specialists to provide you with some inspiration, we are on hand to help you.

Get in touch now at [teamwear@castore.com](mailto:teamwear@castore.com) to kickstart your kit design process.





CASTORE

MTO  
FOOTBALL



**SET-IN SLEEVE**  
FB2763



**SET-IN SLEEVE SIDE PANELS**  
FB2764



**SET-IN SLEEVE SHOULDER PANELS**  
FB2765



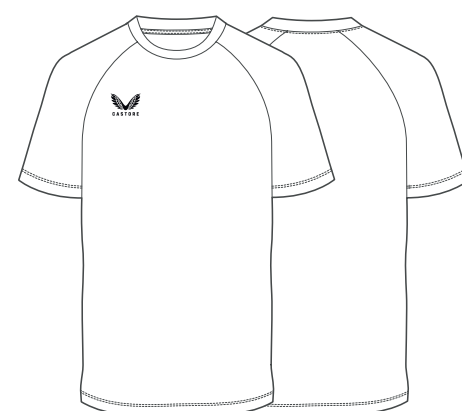
**SET-IN SLEEVE**  
FB2768



**SET-IN SLEEVE SIDE PANELS**  
FB2769



**SET-IN SLEEVE SHOULDER PANELS**  
FB2770



**RAGLAN SLEEVE**  
FB2766



**RAGLAN SLEEVE SIDE PANELS**  
FB2767

### SS JERSEY

#### PRODUCT SPECIFICATION

Heat sealed Castore logo  
100% polyester

#### SIZING

MENS: XS-7XL / **TM-MENS**  
WOMENS: 6-20 / **TF-WOMENS**  
KIDS: JS-JXL / **TJ-JUNIORS**

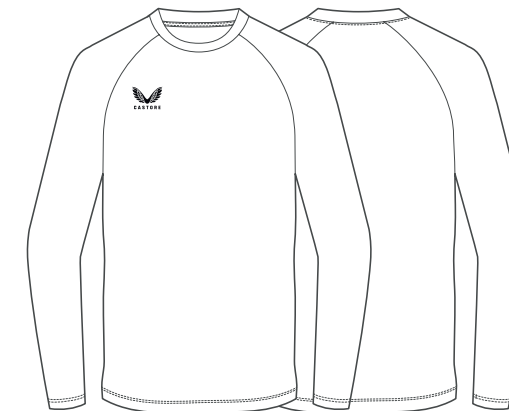
### LS JERSEY

#### PRODUCT SPECIFICATION

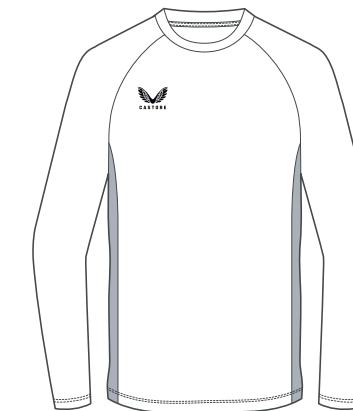
Heat sealed Castore logo  
100% polyester

#### SIZING

MENS: XS-7XL / **TM-MENS**  
WOMENS: 6-20 / **TF-WOMENS**  
KIDS: JS-JXL / **TJ-JUNIORS**



**RAGLAN SLEEVE**  
FB2771

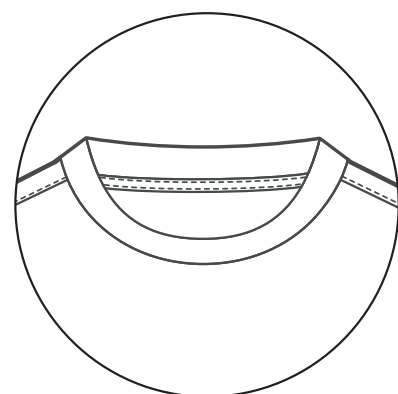


**RAGLAN SLEEVE SIDE PANELS**  
FB2772

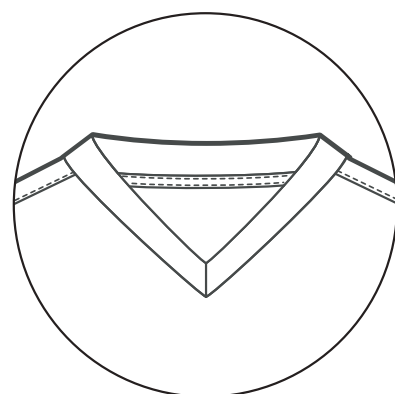




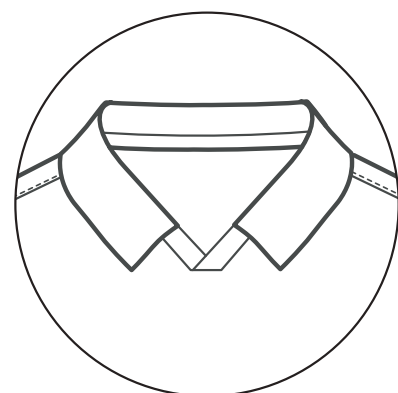
**FOOTBALL NECKLINES**  
SELF FABRIC



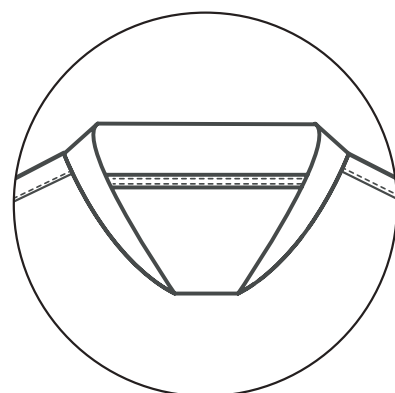
**CREW NECK SELF FABRIC**  
NFB-01



**V-NECK SELF FABRIC**  
NFB-02

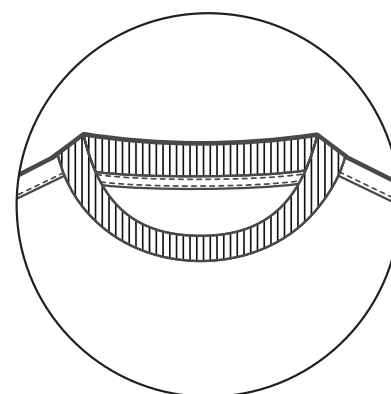


**FOLD-OVER POLO SELF FABRIC**  
NFB-03

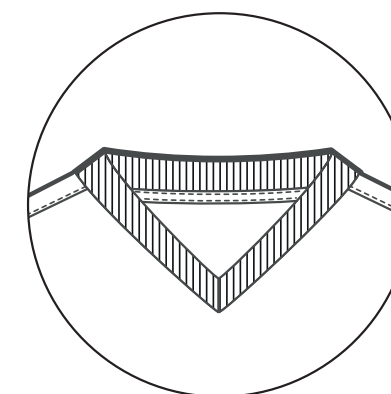


**TAPERD COLLAR SELF FABRIC**  
NFB-04

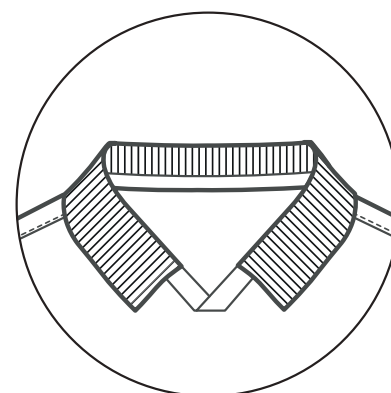
**FOOTBALL NECKLINES**  
RIBBED



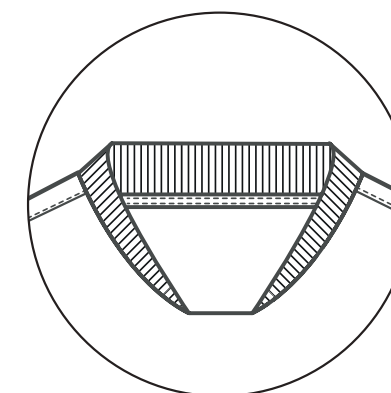
**CREW NECK RIBBED**  
NFB-05



**V-NECK RIBBED**  
NFB-06



**FOLD-OVER POLO RIBBED**  
NFB-07



**TAPERD COLLAR RIBBED**  
NFB-08



**STANDARD**  
FB2773

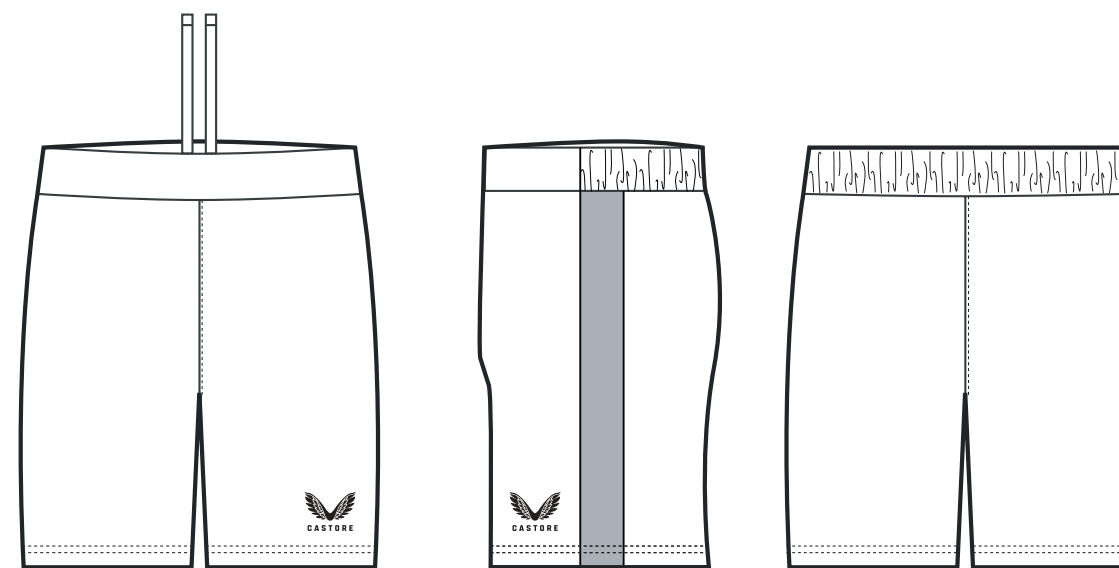
**SHORTS STANDARD**

**PRODUCT SPECIFICATION**

Heat sealed Castore logo  
100% polyester  
Internal drawcord  
In-seam length 7"  
Elasticated back waistband

**SIZING**

MENS: XS-7XL / **TM-MENS**  
WOMENS: 6-20 / **TF-WOMENS**  
KIDS: JS-JXL / **TJ-JUNIORS**



**SIDE PANELS**  
FB2774

**SHORTS SIDE PANELS**

**PRODUCT SPECIFICATION**

Heat sealed Castore logo  
100% polyester  
Internal drawcord  
In-seam length 7"  
Elasticated back waistband

**SIZING**

MENS: XS-7XL / **TM-MENS**  
WOMENS: 6-20 / **TF-WOMENS**  
KIDS: JS-JXL / **TJ-JUNIORS**

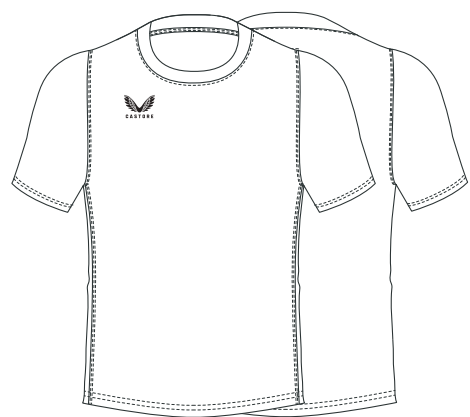






CASTORE

**MTO**  
**RUGBY**



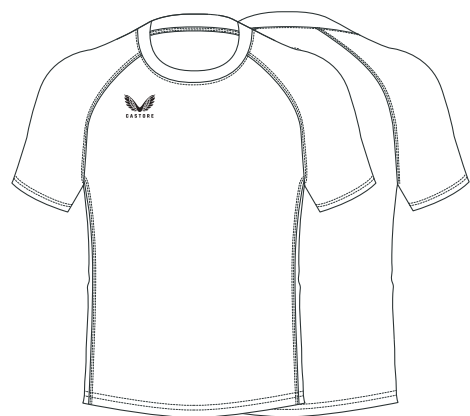
**SET-IN SLEEVE**  
PRO FIT - RB2775  
STANDARD FIT - RB2780



**SET-IN SLEEVE SIDE PANELS**  
PRO FIT - RB2776  
STANDARD FIT - RB2781



**SET-IN SLEEVE SHOULDER PANELS**  
PRO FIT - RB2777  
STANDARD FIT - RB2782



**RAGLAN SLEEVE**  
PRO FIT - RB2778  
STANDARD FIT - RB2783



**RAGLAN SLEEVE SIDE PANELS**  
PRO FIT - RB2779  
STANDARD FIT - RB2784

**JERSEY**

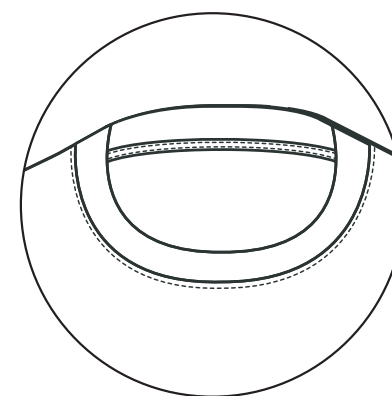
**PRODUCT SPECIFICATION**

Heat sealed Castore logo  
100% polyester  
Flatlock seams  
Reinforced collar

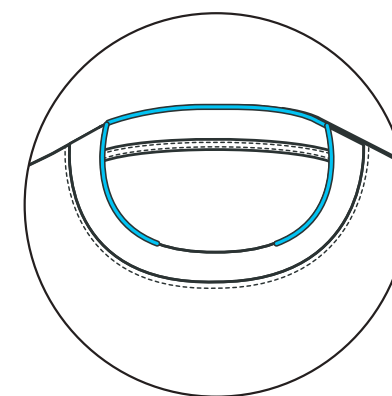
**SIZING**

MENS: XS-7XL / **TM-MENS**  
WOMENS: 6-20 / **TF-WOMENS**  
KIDS: JS-JXL / **TJ-JUNIORS**

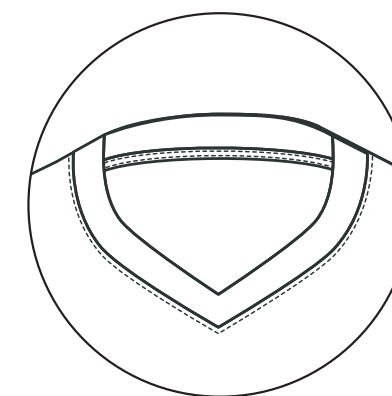
**RUGBY NECKLINES**



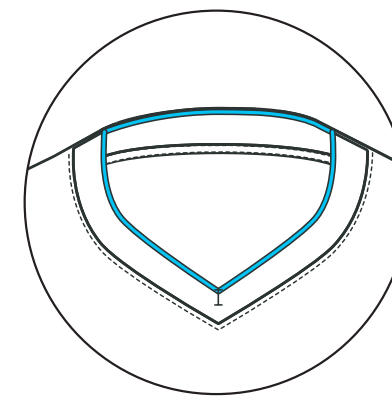
**CREW NECK**  
NRB-01



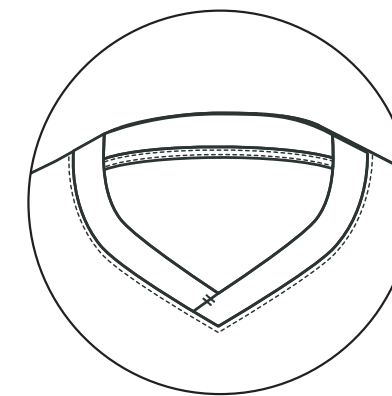
**CREW NECK CONTRAST PIPING**  
NRB-02



**V-NECK**  
NRB-03



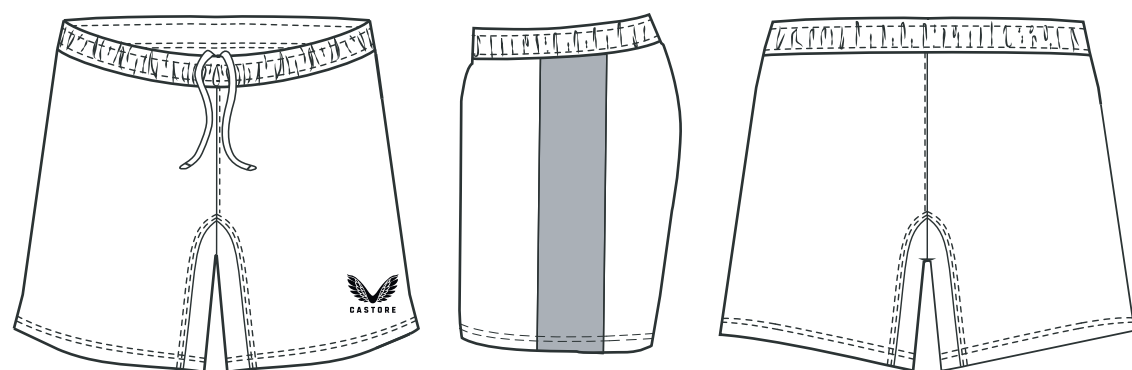
**V-NECK CONTRAST PIPING**  
NRB-04



**V-NECK CROSS OVER**  
NRB-05







**SIDE PANELS**

RB2786

**SHORTS SIDE PANELS**

**PRODUCT SPECIFICATION**

Heat sealed Castore logo  
 100% polyester  
 Internal drawcord  
 In-seam length 5"  
 Fully elasticated waistband

**SIZING**

MENS: XS-7XL / **TM-MENS**  
 WOMENS: 6-20 / **TF-WOMENS**  
 KIDS: JS-JXL / **TJ-JUNIORS**





CASTORE

**MTO**  
**CRICKET**





**SET-IN SLEEVE**  
CK2787



**SET-IN SLEEVE SIDE PANELS**  
CK2788



**SET-IN SLEEVE SHOULDER PANELS**  
CK2789



**SET-IN SLEEVE**  
CK2792



**SET-IN SLEEVE SIDE PANELS**  
CK2793



**SET-IN SLEEVE SHOULDER PANELS**  
CK2794



**RAGLAN SLEEVE**  
CK2790



**RAGLAN SLEEVE SIDE PANELS**  
CK2791

**SS POLO**

**PRODUCT SPECIFICATION**

Heat sealed Castore logo  
100% polyester

**SIZING**

MENS: XS-7XL / **TM-MENS**  
WOMENS: 6-20 / **TF-WOMENS**  
KIDS: JS-JXL / **TJ-JUNIORS**

**LS POLO**

**PRODUCT SPECIFICATION**

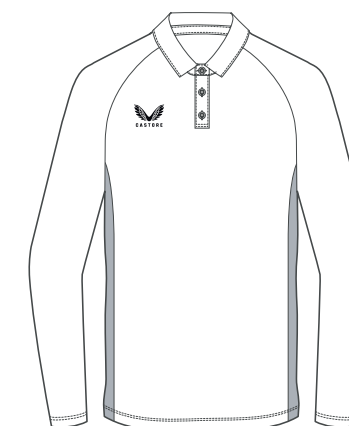
Heat sealed Castore logo  
100% polyester

**SIZING**

MENS: XS-7XL / **TM-MENS**  
WOMENS: 6-20 / **TF-WOMENS**  
KIDS: JS-JXL / **TJ-JUNIORS**



**RAGLAN SLEEVE**  
CK2795



**RAGLAN SLEEVE SIDE PANELS**  
CK2796

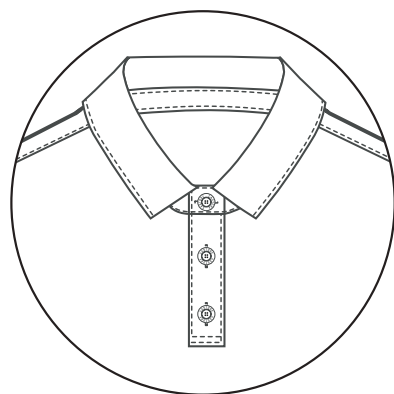


BREATHABLE EASY WASH CARE LIGHTWEIGHT QUICK DRY

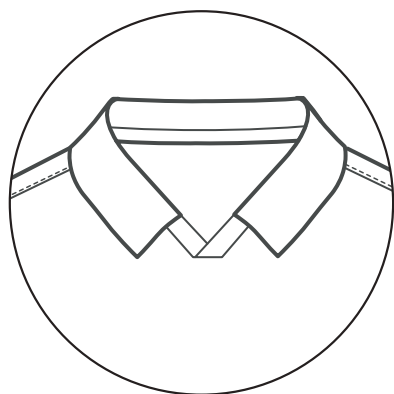


BREATHABLE EASY WASH CARE LIGHTWEIGHT QUICK DRY

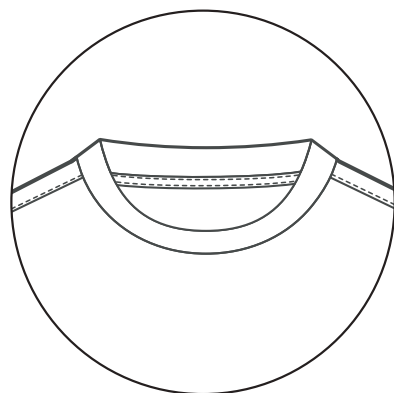
**CRICKET POLO NECKLINES**  
SELF FABRIC



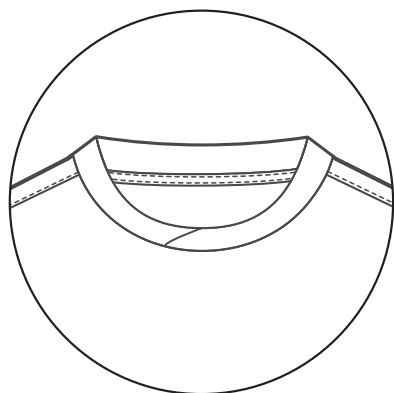
**FOLD-OVER BUTTON POLO SELF FABRIC**  
NCKP-01



**FOLD-OVER POLO CROSS OVER SELF FABRIC**  
NCKP-02

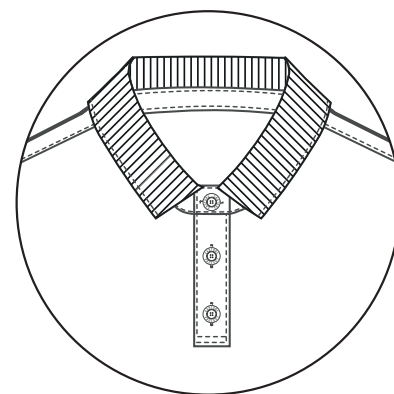


**CREW NECK SELF FABRIC**  
NCKP-03

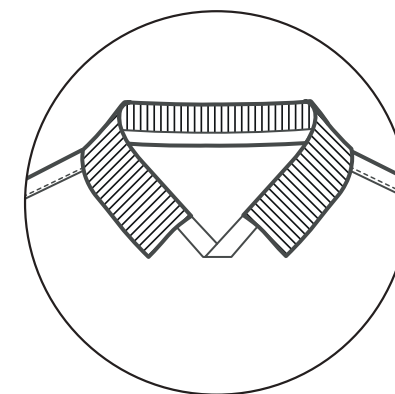


**CREW NECK CROSS OVER SELF FABRIC**  
NCKP-04

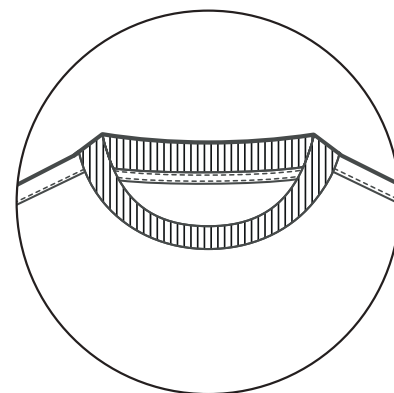
**CRICKET POLO NECKLINES**  
RIBBED



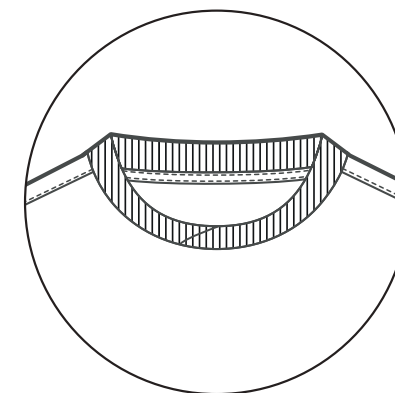
**FOLD-OVER BUTTON POLO RIBBED**  
NCKP-05



**FOLD-OVER POLO CROSS OVER RIBBED**  
NCKP-06

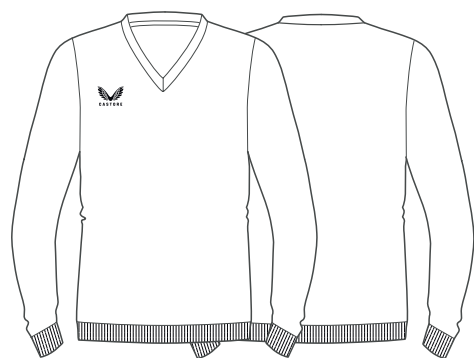


**CREW NECK RIBBED**  
NCKP-07



**CREW NECK CROSS OVER RIBBED**  
NCKP-08





**SET-IN SLEEVE**  
CK2797



**SET-IN SLEEVE SIDE PANELS**  
CK2798



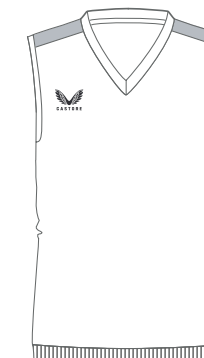
**SET-IN SLEEVE SHOULDER PANELS**  
CK2799



**SET-IN SLEEVE**  
CK2802



**SET-IN SLEEVE SIDE PANELS**  
CK2803



**SET-IN SLEEVE SHOULDER PANELS**  
CK2804



**RAGLAN SLEEVE**  
CK2800



**RAGLAN SLEEVE SIDE PANELS**  
CK2801

**LS SWEATSHIRT**

**PRODUCT SPECIFICATION**  
Heat sealed Castore logo  
100% polyester

**SIZING**  
MENS: XS-7XL / **TM-MENS**  
WOMENS: 6-20 / **TF-WOMENS**  
KIDS: JS-JXL / **TJ-JUNIORS**



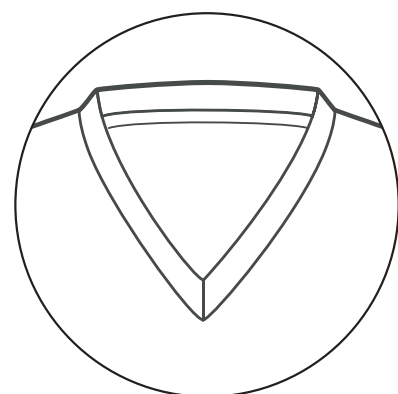
**SLEEVELESS SWEATSHIRT**

**PRODUCT SPECIFICATION**  
Heat sealed Castore logo  
100% polyester

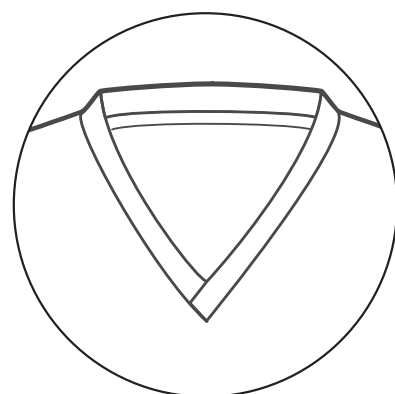
**SIZING**  
MENS: XS-7XL / **TM-MENS**  
WOMENS: 6-20 / **TF-WOMENS**  
KIDS: JS-JXL / **TJ-JUNIORS**



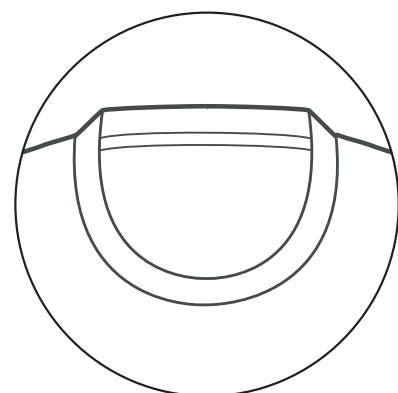
**CRICKET SWEATSHIRTS NECKLINES**  
SELF FABRIC



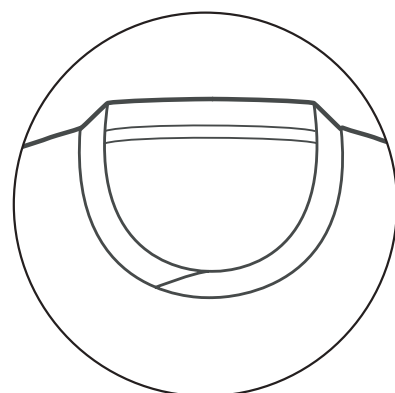
**V-NECK SELF FABRIC**  
NCKS-01



**V-NECK CROSS OVER SELF FABRIC**  
NCKS-02

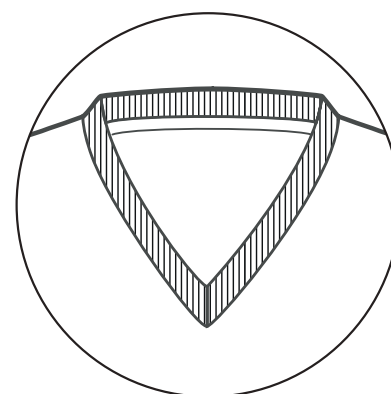


**CREW NECK SELF FABRIC**  
NCKS-03

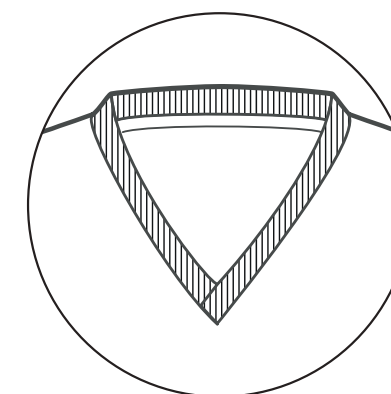


**CREW NECK CROSS OVER SELF FABRIC**  
NCKS-04

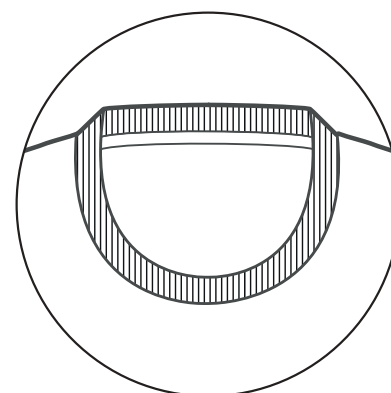
**CRICKET SWEATSHIRTS NECKLINES**  
RIBBED



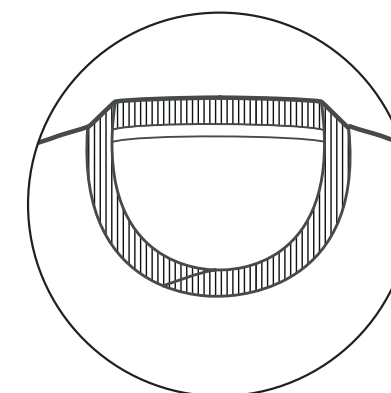
**V-NECK RIBBED**  
NCKS-05



**V-NECK CROSS OVER RIBBED**  
NCKS-06

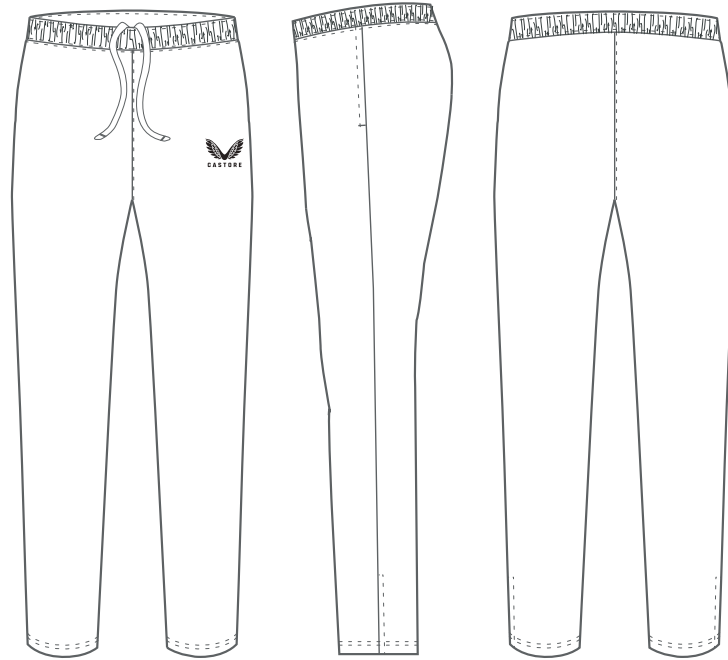


**CREW NECK RIBBED**  
NCKS-07



**CREW NECK CROSS OVER RIBBED**  
NCKS-08





**STANDARD**  
CK2805

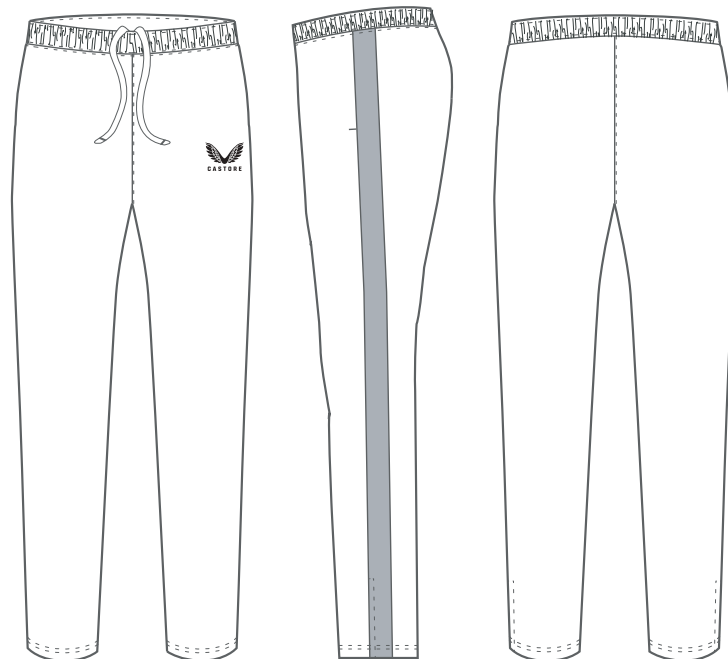
### TROUSERS STANDARD

**PRODUCT SPECIFICATION**

- Heat sealed Castore logo
- 100% polyester
- Internal drawcord
- Open side pocket
- Zip side seam opening at hem
- Fully elasticated waistband

**SIZING**

- MENS: XS-7XL / **TM-MENS**
- WOMENS: 6-20 / **TF-WOMENS**
- KIDS: JS-JXL / **TJ-JUNIORS**



**SIDE PANELS**  
CK2806

### TROUSERS SIDE PANELS

**PRODUCT SPECIFICATION**

- Heat sealed Castore logo
- 100% polyester
- Internal drawcord
- Open side pocket
- Zip side seam opening at hem
- Fully elasticated waistband

**SIZING**

- MENS: XS-7XL / **TM-MENS**
- WOMENS: 6-20 / **TF-WOMENS**
- KIDS: JS-JXL / **TJ-JUNIORS**

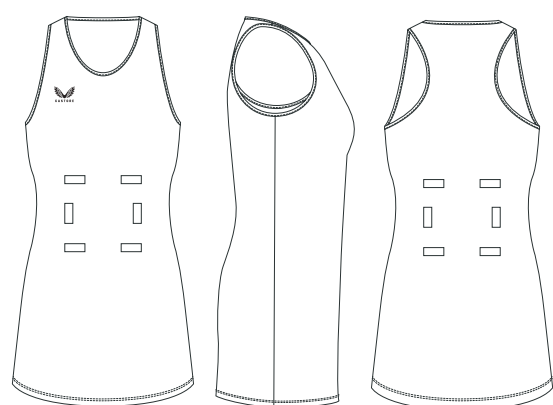




CASTORE

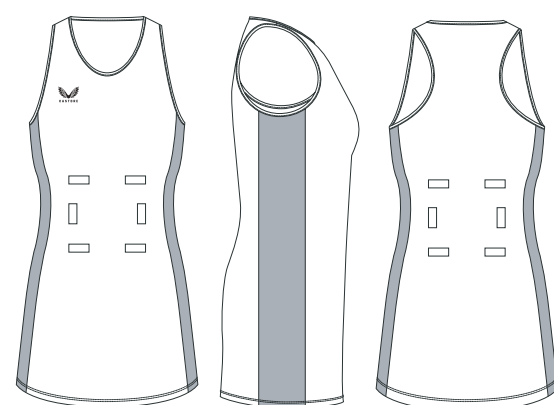
**MTO**  
**NETBALL**





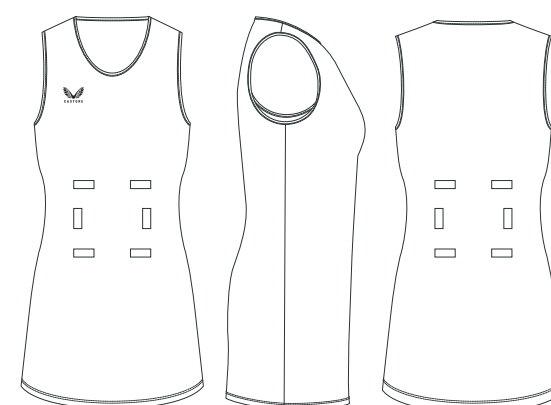
**STANDARD**

LONG LENGTH - NB2807  
SHORT LENGTH - NB2810



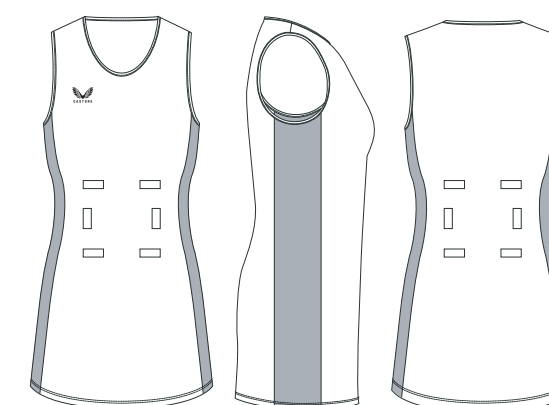
**SIDE PANELS**

LONG LENGTH - NB2808  
SHORT LENGTH - NB2811



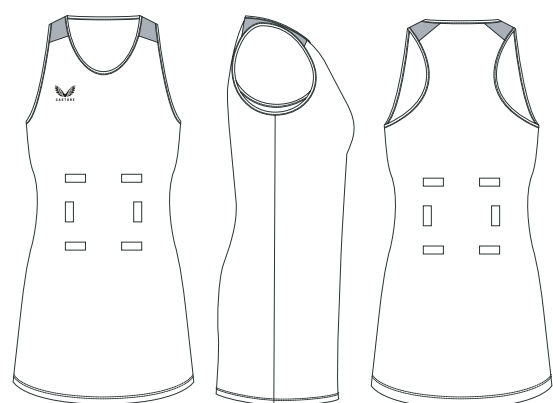
**STANDARD**

LONG LENGTH - NB2813  
SHORT LENGTH - NB2816



**SIDE PANELS**

LONG LENGTH - NB2814  
SHORT LENGTH - NB2817



**SHOULDER PANELS**

LONG LENGTH - NB2809  
SHORT LENGTH - NB2812

**DRESS RACER BACK**

**PRODUCT SPECIFICATION**

Heat sealed Castore logo  
100% polyester  
Velcro attached Bib  
Bound neck and armhole finish

**SIZING**

WOMENS: 6-20 / **TF-WOMENS**  
KIDS: JS-JXL / **TJ-JUNIORS**

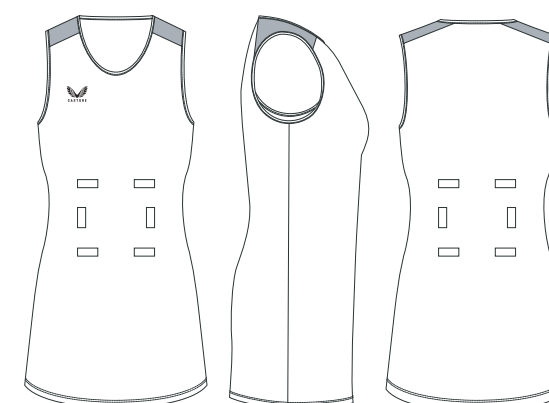
**DRESS STANDARD BACK**

**PRODUCT SPECIFICATION**

Heat sealed Castore logo  
100% polyester  
Velcro attached Bib  
Bound neck and armhole finish

**SIZING**

WOMENS: 6-20 / **TF-WOMENS**  
KIDS: JS-JXL / **TJ-JUNIORS**



**SHOULDER PANELS**

LONG LENGTH - NB2815  
SHORT LENGTH - NB2818





**STANDARD**  
NB2819

**SHORTS STANDARD**

**PRODUCT SPECIFICATION**  
Heat sealed Castore logo  
100% polyester

**SIZING**  
WOMENS: 6-20 / **TF-WOMENS**  
KIDS: JS-JXL / **TJ-JUNIORS**



**SIDE PANELS**  
NB2820

**SHORTS SIDE PANELS**

**PRODUCT SPECIFICATION**  
Heat sealed Castore logo  
100% polyester

**SIZING**  
WOMENS: 6-20 / **TF-WOMENS**  
KIDS: JS-JXL / **TJ-JUNIORS**



**NETBALL GAME DAY BIBS**

**PRODUCT SPECIFICATION**  
Velcro attachment  
100% polyester



NBB-01



NBB-02



NBB-03



NBB-04



NBB-05



NBB-06



NBB-07



NBB-08

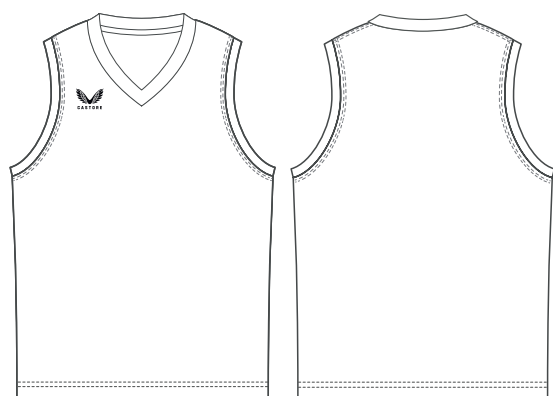




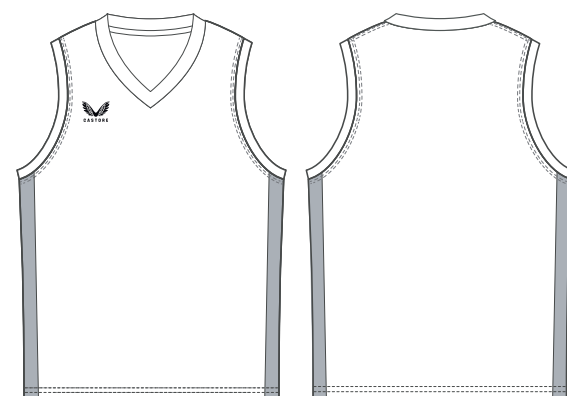
CASTORE

**MTO**  
**BASKETBALL**

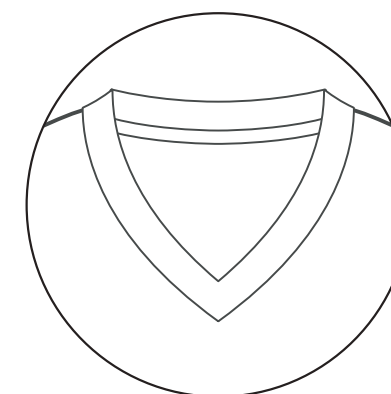
### BASKETBALL NECKLINES



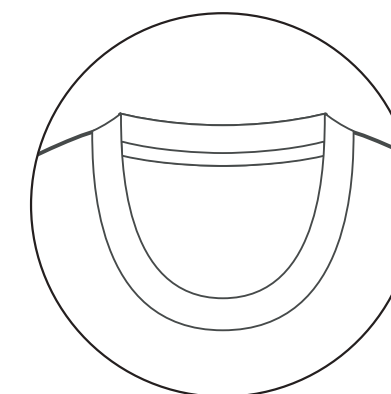
**PLAIN BODY**  
BB3283



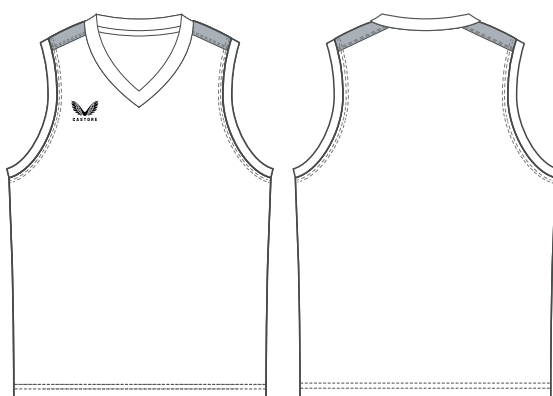
**SIDE PANELS**  
BB3284



**V-NECK SELF FABRIC**  
NBB-01



**SCOOP NECK SELF FABRIC**  
NBB-02



**SHOULDER PANELS**  
BB3285

### VEST

#### PRODUCT SPECIFICATION

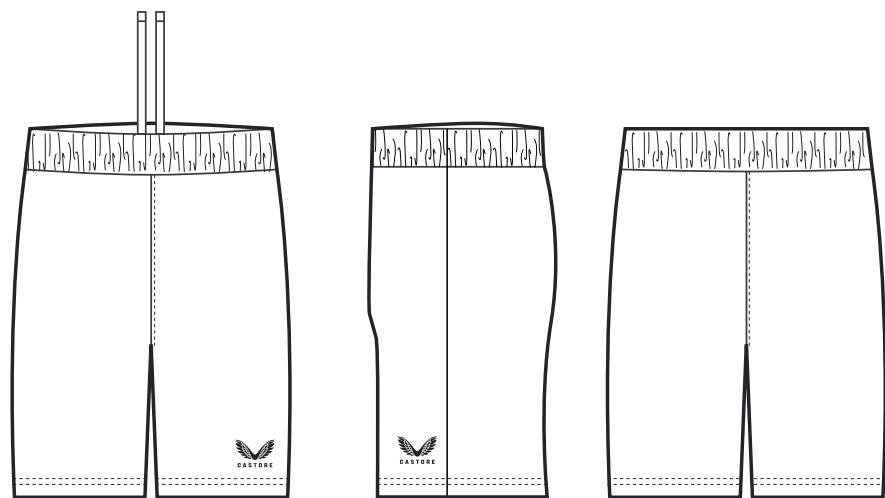
Heat sealed Castore logo  
100% polyester

#### SIZING

MENS: XS-7XL / **TM-MENS**  
WOMENS: 6-20 / **TF-WOMENS**  
KIDS: JS-JXL / **TJ-JUNIORS**







**STANDARD**  
BB4133

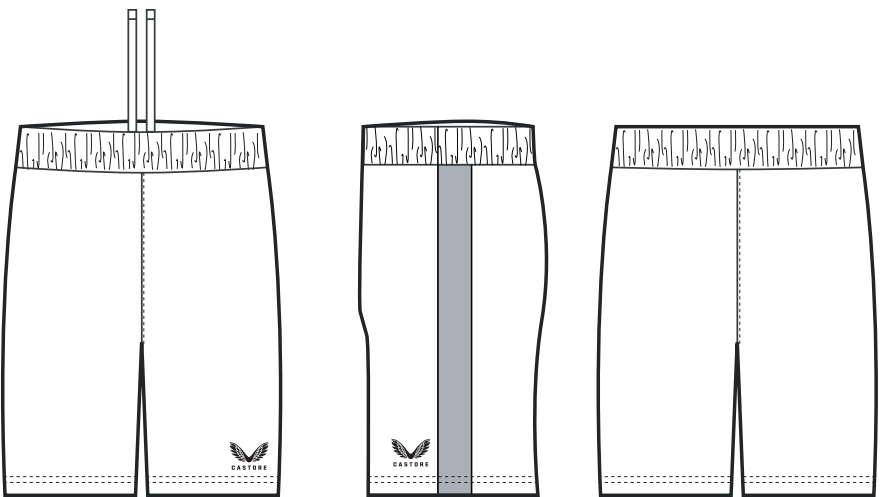
### SHORTS STANDARD

**PRODUCT SPECIFICATION**

Heat sealed Castore logo  
100% polyester  
Internal drawcord  
Elasticated waistband

**SIZING**

MENS: XS-7XL / **TM-MENS**  
WOMENS: 6-20 / **TF-WOMENS**  
KIDS: JS-JXL / **TJ-JUNIORS**



**SIDE PANELS**  
BB4134

### SHORTS SIDE PANELS

**PRODUCT SPECIFICATION**

Heat sealed Castore logo  
100% polyester  
Internal drawcord  
Elasticated waistband

**SIZING**

MENS: XS-7XL / **TM-MENS**  
WOMENS: 6-20 / **TF-WOMENS**  
KIDS: JS-JXL / **TJ-JUNIORS**

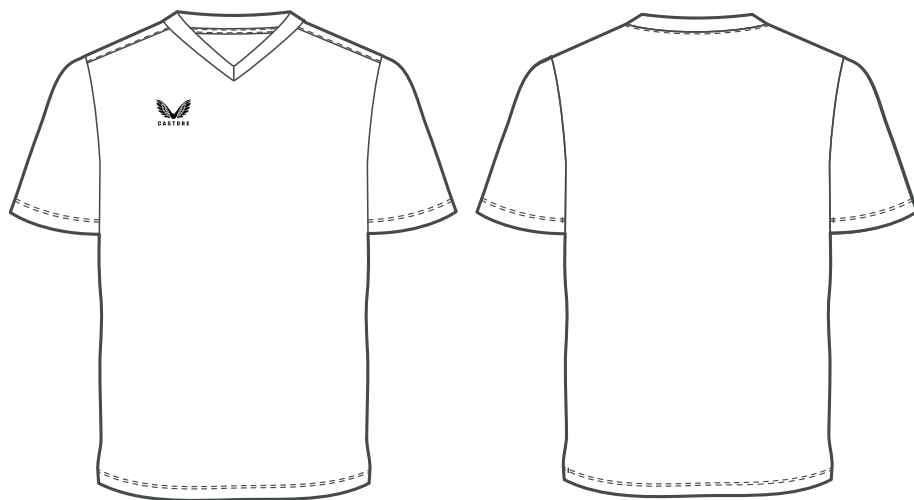




CASTORE

MTO  
HOCKEY





**STANDARD**  
HK4169

### GOALKEEPER SMOCK

#### PRODUCT SPECIFICATION

Heat sealed Castore logo  
100% polyester

#### SIZING

MENS: XS-7XL / **TM-MENS**  
WOMENS: 6-20 / **TF-WOMENS**  
KIDS: JS-JXL / **TJ-JUNIORS**



BREATHABLE



EASY WASH CARE



LIGHTWEIGHT



QUICK DRY



CASTORE

MTO  
MULTI-SPORT



**SET-IN SLEEVE**  
MS2821



**SET-IN SLEEVE SIDE PANELS**  
MS2822



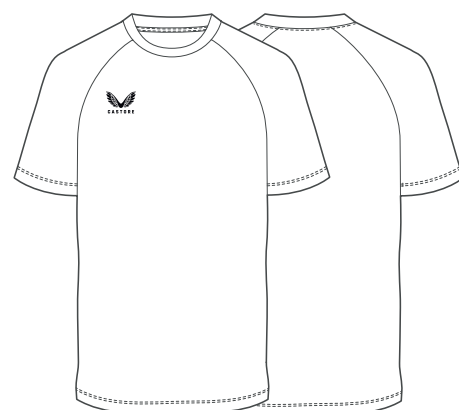
**SET-IN SLEEVE SHOULDER PANELS**  
MS2823



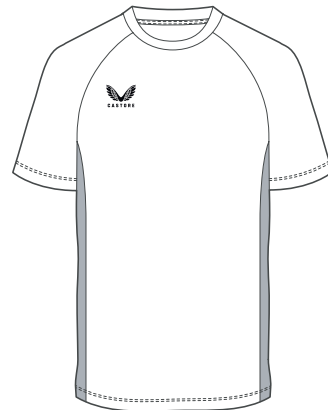
**SET-IN SLEEVE**  
MS2826



**SET-IN SLEEVE**  
MS2826



**RAGLAN SLEEVE**  
MS2824



**RAGLAN SLEEVE SIDE PANELS**  
MS2825

**SS JERSEY**

**PRODUCT SPECIFICATION**

Heat sealed Castore logo  
100% polyester

**SIZING**

MENS: XS-7XL / **TM-MENS**  
WOMENS: 6-20 / **TF-WOMENS**  
KIDS: JS-JXL / **TJ-JUNIORS**

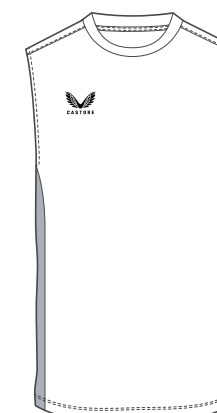
**SINGLET**

**PRODUCT SPECIFICATION**

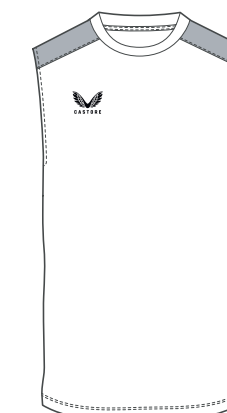
Heat sealed Castore logo  
100% polyester

**SIZING**

MENS: XS-7XL / **TM-MENS**  
WOMENS: 6-20 / **TF-WOMENS**  
KIDS: JS-JXL / **TJ-JUNIORS**



**SET-IN SLEEVE SIDE PANELS**  
MS2827

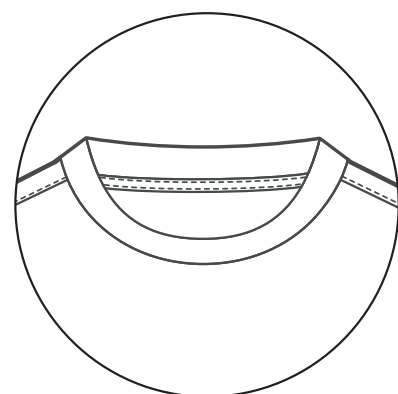


**SET-IN SLEEVE SHOULDER PANELS**  
MS2828

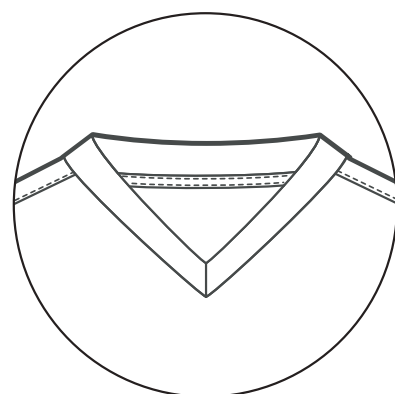




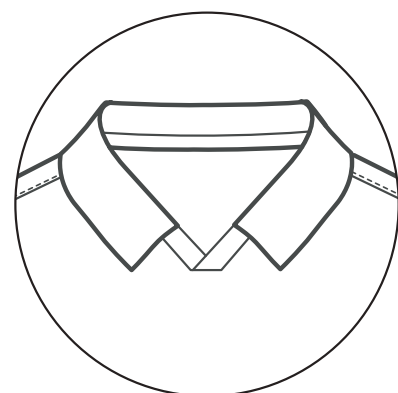
**MUTLI-SPORT NECKLINES**  
SELF FABRIC



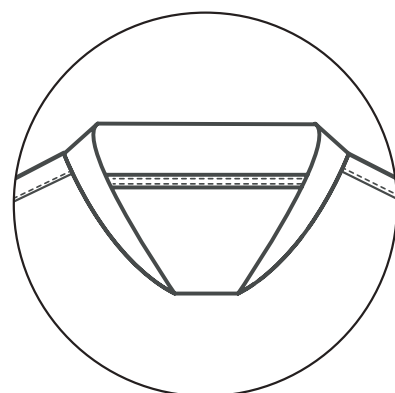
**CREW NECK SELF FABRIC**  
NMS-01



**V-NECK SELF FABRIC**  
NMS-02

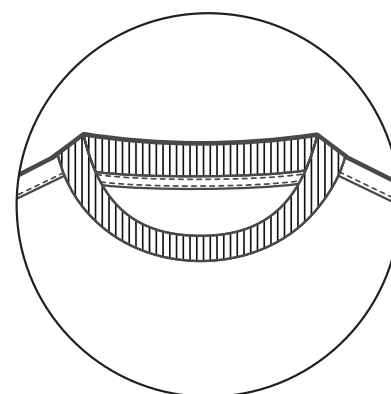


**FOLD-OVER POLO SELF FABRIC**  
NMS-03

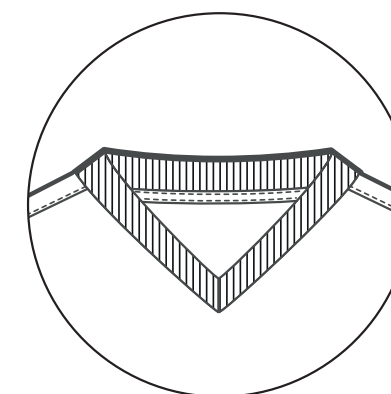


**TAPERD COLLAR SELF FABRIC**  
NMS-04

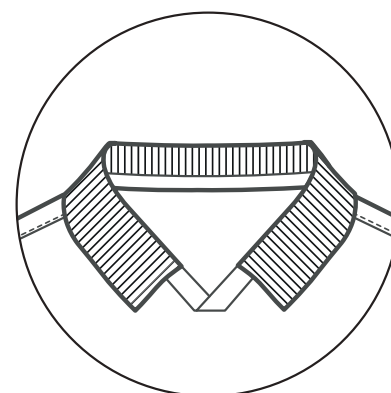
**MUTLI-SPORT NECKLINES**  
RIBBED



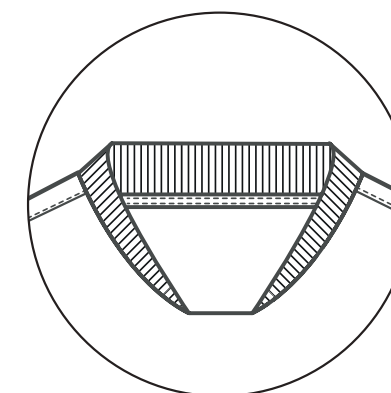
**CREW NECK RIBBED**  
NMS-05



**V-NECK RIBBED**  
NMS-06



**FOLD-OVER POLO RIBBED**  
NMS-07



**TAPERD COLLAR RIBBED**  
NMS-08



**SET-IN SLEEVE**  
MS2829



**SET-IN SLEEVE SIDE PANELS**  
MS2830



**SET-IN SLEEVE SHOULDER PANELS**  
MS2831



**RAGLAN SLEEVE**  
MS2832



**RAGLAN SLEEVE SIDE PANELS**  
MS2833

**SS POLO**

**PRODUCT SPECIFICATION**  
Heat sealed Castore logo  
100% polyester

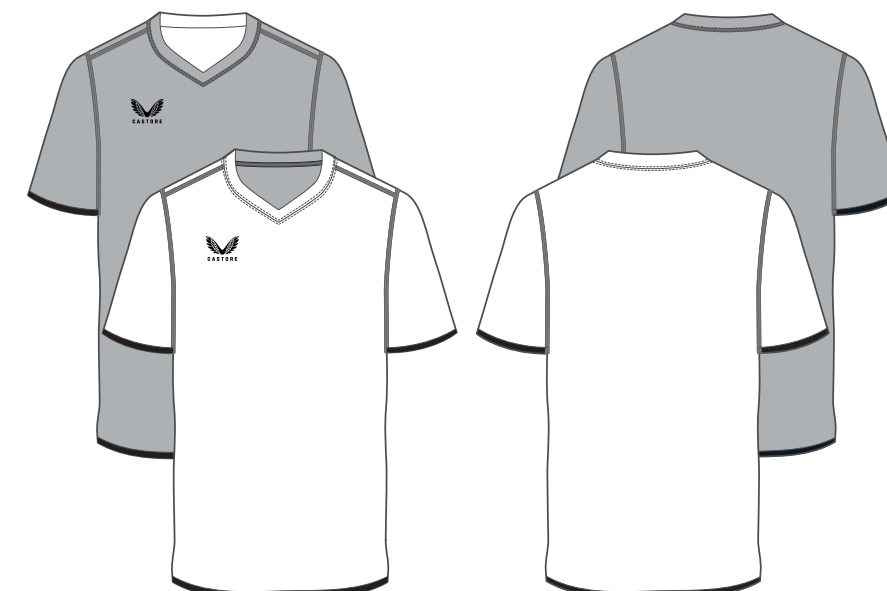
**SIZING**  
MENS: XS-7XL / **TM-MENS**  
WOMENS: 6-20 / **TF-WOMENS**  
KIDS: JS-JXL / **TJ-JUNIORS**



**REVERSIBLE SS JERSEY**

**PRODUCT SPECIFICATION**  
Heat sealed Castore logo  
100% polyester

**SIZING**  
MENS: XS-7XL / **TM-MENS**  
WOMENS: 6-20 / **TF-WOMENS**  
KIDS: JS-JXL / **TJ-JUNIORS**

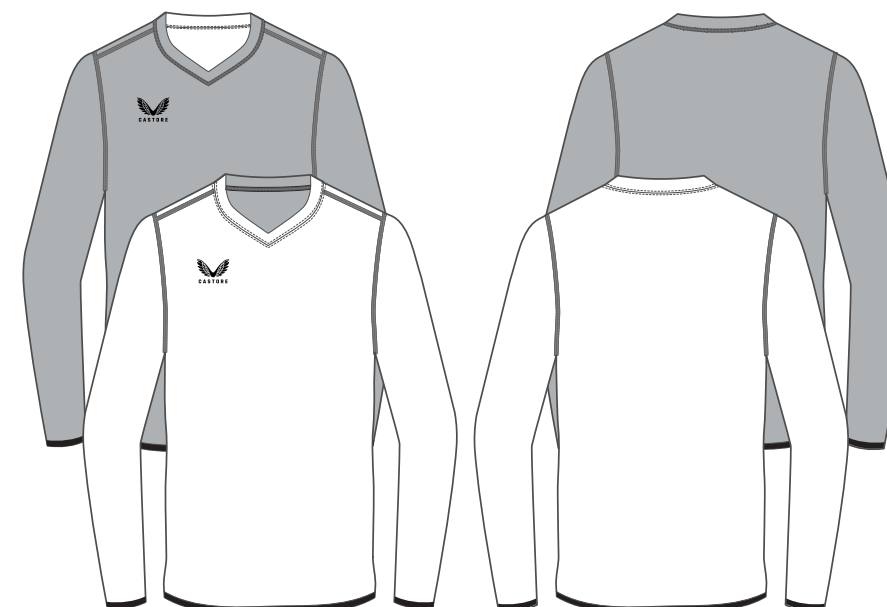


**SET-IN SLEEVE**  
MS2834

**REVERSIBLE LS JERSEY**

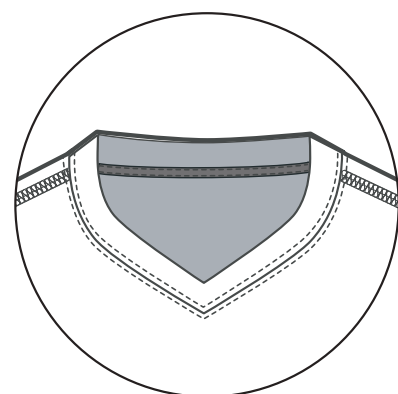
**PRODUCT SPECIFICATION**  
Heat sealed Castore logo  
100% polyester

**SIZING**  
MENS: XS-7XL / **TM-MENS**  
WOMENS: 6-20 / **TF-WOMENS**  
KIDS: JS-JXL / **TJ-JUNIORS**

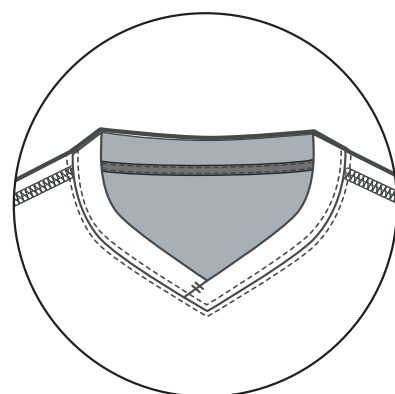


**SET-IN SLEEVE**  
MS2980

**REVERSIBLE JERSEY NECKLINES**  
SELF FABRIC



**V-NECK**  
NRJ-01



**V-NECK CROSS OVER**  
NRJ-02

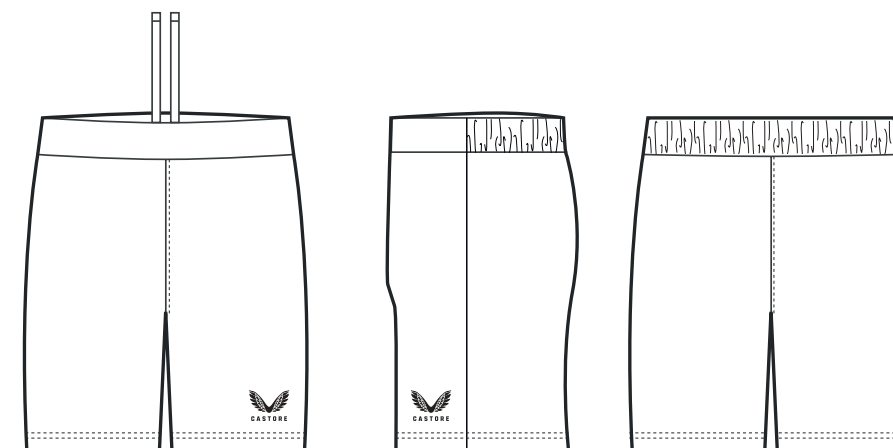
**SHORTS STANDARD**

**PRODUCT SPECIFICATION**

Heat sealed Castore logo  
100% polyester  
Internal drawcord  
In-seam length 7"  
Elasticated back waistband

**SIZING**

MENS: XS-7XL / **TM-MENS**  
WOMENS: 6-20 / **TF-WOMENS**  
KIDS: JS-JXL / **TJ-JUNIORS**



**STANDARD**  
MS2835



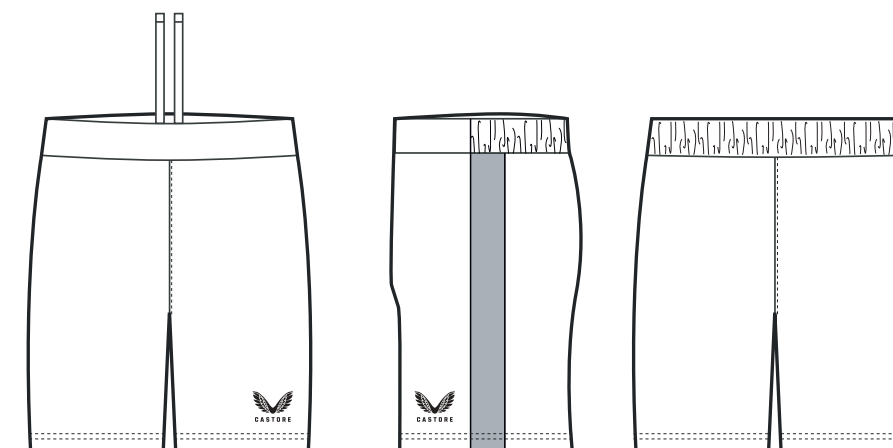
**SHORTS SIDE PANELS**

**PRODUCT SPECIFICATION**

Heat sealed Castore logo  
100% polyester  
Internal drawcord  
In-seam length 7"  
Elasticated back waistband

**SIZING**

MENS: XS-7XL / **TM-MENS**  
WOMENS: 6-20 / **TF-WOMENS**  
KIDS: JS-JXL / **TJ-JUNIORS**



**SIDE PANELS**  
MS2836





**STANDARD LETTERING**

**PRODUCT SPECIFICATION**

Sublimated

**A B C D E F G**

**H I J K L M N**

**O P Q R S T U**

**V W X Y Z**

**STANDARD NUMBERS**

**PRODUCT SPECIFICATION**

Sublimated

**1 2 3**

**4 5 6**

**7 8 9**

**0**



**CASTORE**

[castore.com/teamwear](https://castore.com/teamwear)