



DATA SHEET

MODEL: NOVABLAST AIRLESS PAINTING PUMP 30:1

30:1 Ratio Pump

3000 psi (21.0 MPa, 210 bar) Maximum Fluid Working Pressure

100 psi (0.7 MPa, 7 bar) Maximum Air Input Pressure

Displacement pump (Lower Assembly)



**This manual contains important warning and information.
Read and keep reference.**

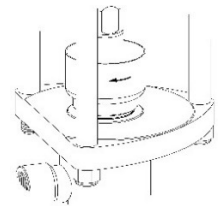
OPERATION

1. Lock the spray gun trigger safety.
2. Close the red-handed bleed-type master air valve.
3. Unlock the gun trigger safety.
4. Hold a metal part of the gun firmly to the side of a grounded metal pail, and trigger the gun to relieve pressure.
5. Lock the gun trigger safety.
6. Open the drain valve having a container ready to catch the drainage.
7. Leave the drain valve open until you are ready to spray again.

If you suspect that the spray tip or hose is completely clogged, or that pressure has not been fully relieved after following the steps above, very slowly loosen the tip guard retaining nut or hose end coupling and relieve pressure gradually, then loosen completely. Now clear the tip or hose.

Packing nut / wet-cup

Before starting, fill the packing nut $\frac{1}{3}$ full with TSL or compatible solvent. To reduce the risk of serious injury whenever you are instructed to relieve pressure, always follow the pressure relief procedure. The packing nut is torqued at the factory and is ready for operation. If it becomes loose and there is leaking from the throat packings, relieve pressure, then torque the nut to 136-149N.m using a wrench. Do this whenever necessary. Do not over tighten the packing nut.



Flush the Pump Before first Using

The pump is tested with lightweight motor oil, which is left in to protect the pump parts. If the fluid you are using may be contaminated by the oil, flush it out with a compatible solvent before using the pump. If the pump is being used to supply a circulating system, allow the solvent to circulate until the pump is thoroughly flushed.

Flush the pump:

- Before the first use.
- When changing colors or fluids.
- Before fluid can dry or settle out in a dormant pump (check the pot life of catalyzed fluids).
- Before storing the pump.

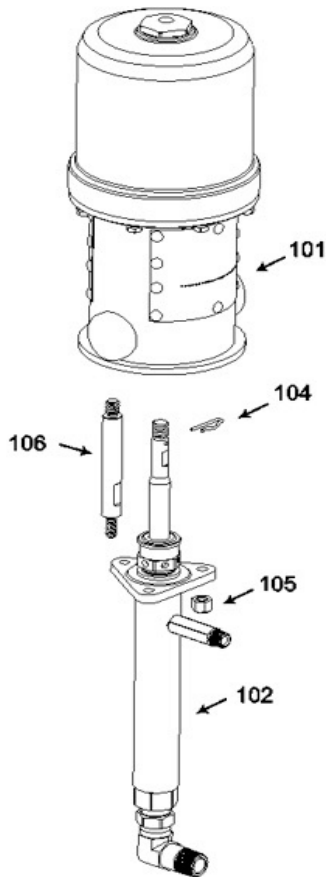
Flush with a fluid that is compatible with fluid you are pumping and with the wetted parts in your system. Check with a fluid manufacturer or supplier for recommended flushing fluids and flushing frequency.

CATEGORY	P-TYPE AIR MOTOR	M-TYPE AIR MOTOR
	30-1	
MAXIMUM FLUID WORKING PRESSURE	21 MPa 210 bar	10 MPa 100 bar
MAXIMUM AIR INPUT PRESSURE	0.7 MPa 7 bar	
RATIO	30:1	15:1
AIR INLET SIZE	$\frac{1}{2}$ in. npt (f)	
FLUID INLET SIZE	$\frac{3}{4}$ in. npt	
MAXIMUM OPERATING TEMPERATURE	82 °C (180 °F)	
WETTED PARTS	Carbon Steel; Alloy Steel; S45C, 415,440: Zinc and Nickel Plating; Ductile Iron; Tungsten Carbide; PTFE; Leather	

PARTS DRAWING & PARTS LIST

30:1 AIR MOTOR

Always use genuine parts



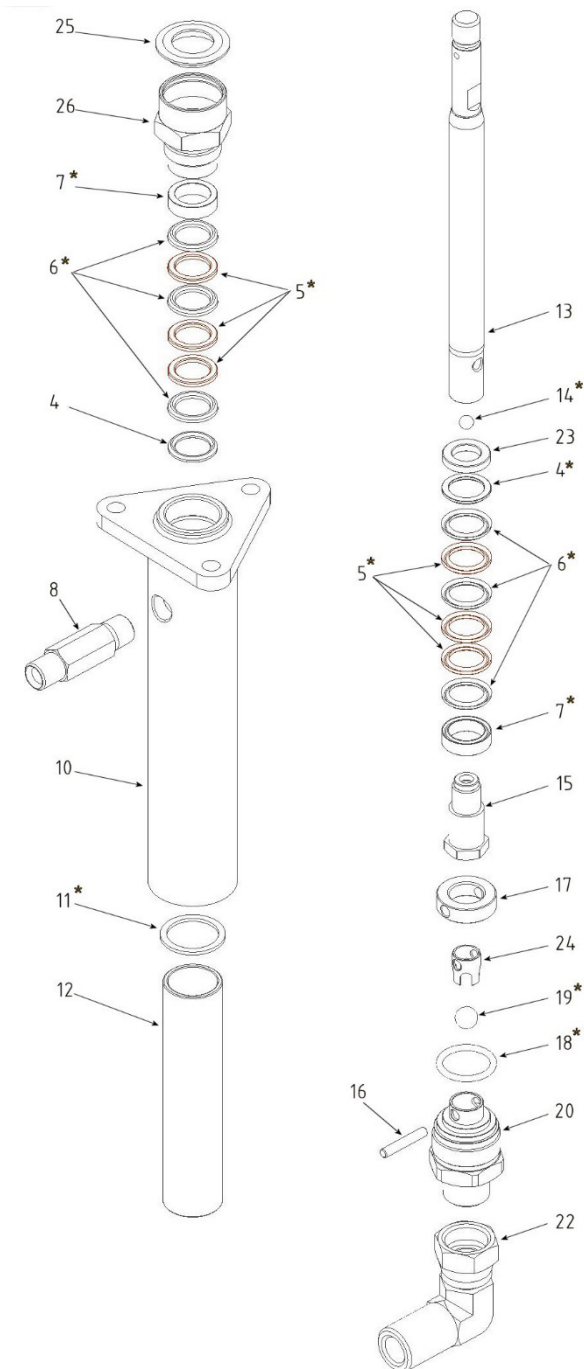
#	ITEM NO.	DESCRIPTION	QTY
101	81301200	AIR MOTOR	1
102	81301999	DISPLACEMENT PUMP ASSEMBLY	1
104	81301101	COTTER PIN	1
105	81301102	NUT	3
106	81301103	TIE ROD	3

PARTS DRAWING & PARTS LIST

Note: parts marked in color are the spare parts

*These parts are included in repair kit which may be purchased separately.

Always use genuine parts



#	ITEM NO.	DESCRIPTION	QTY
4*	81301104	GLAND, MALE	2
5*	81301105	V-LEATHER	6
6*	81301106	V-TEFLON	6
7*	81301107	GLAND, FEMALE	2
8	81301108	NIPPLE	1
10	81301109	PUMP HOUSING	1
11*	81301110	SEAL (TEFLON)	1
12	81301111	SLEEVE	1
13	81301112	DIS. ROD	1
14*	81301113	BALL ($\frac{5}{16}$ "	1
15	81301114	VALVE PISTON	1
16	81301115	PIN	1
17	81301116	RETAINER	1
18*	81301117	SEAL (TEFLON)	1
19*	81301118	BALL ($\frac{1}{2}$ "	1
20	81301119	INTAKE	1
22	81301120	UNION	1
23	81301121	WASHER	1
24	81301122	GUIDE, BALL	1
25	81301123	PLUG	1
26	81301124	PACKING, NUT	1

***81301125 Repair Kit - Parts marked in color are included.**

NOVABLAST STANDARD WARRANTY

NOVABLAST warrants all equipment referenced in this document manufactured by NOVABLAST and bearing its name to be free from defects in material and craft on the date of sale to the original purchaser for use. Except for any unique, extended, or limited warranty published by NOVABLAST, NOVABLAST will, for twelve months from the date of sale, repair or replace any part of the equipment determined by NOVABLAST to be defective. This warranty applies when installed equipment is operated and maintained following NOVABLAST written recommendations.

This warranty neither covers nor places liability on NOVABLAST for general wear and tear or any malfunction, damage, or wear caused by faulty installation, misapplication, abrasion, corrosion, inadequate or improper maintenance, negligence, accident, tampering, or substitution of non-NOVABLAST parts. This includes incidents caused by the incompatibility of NOVABLAST equipment with structures, accessories, equipment, or materials not supplied by NOVABLAST, or the improper design, manufacture, installation, operation, or maintenance of systems, accessories, equipment, or materials not provided by NOVABLAST.

This warranty is conditioned upon the prepaid return of the equipment claimed to be defective to an authorized NOVABLAST distributor for verification of the claimed defect. If the claimed defect is verified, NOVABLAST will repair or replace any faulty parts free of charge. The equipment will be returned to the original purchaser transportation prepaid. Suppose equipment inspection does not disclose any defect in material or craft. In that case, repairs will be made at a reasonable charge, which charges may include the costs of parts, labor, and transportation.

THIS WARRANTY IS EXCLUSIVE AND IS IN PLACE OF ANY OTHER WARRANTIES, EXPRESS OR IMPLIED, INCLUDING BUT NOT LIMITED TO WARRANTY OF MERCHANTABILITY OR WARRANTY OF FITNESS FOR A PARTICULAR PURPOSE.

NOVABLAST's sole obligation and buyer's remedy for any breach of warranty shall be as set forth above. The buyer agrees that no other cure (including, but not limited to, incidental or consequential damages for lost profits, lost sales, injury to person or property, or any other incidental or consequential loss) shall be available. Any action for breach of warranty must be brought within one (1) year of the date of sale.

NOVABLAST MAKES NO WARRANTY AND DISCLAIMS ALL IMPLIED WARRANTIES OF MERCHANTABILITY AND FITNESS FOR A PARTICULAR PURPOSE IN CONNECTION WITH ACCESSORIES, EQUIPMENT, MATERIALS, OR COMPONENTS SOLD BUT NOT MANUFACTURED BY NOVABLAST.

These items sold, but not manufactured by NOVABLAST (such as electric motors, switches, hose, etc.), are subject to their manufacturer's warranty, if any. NOVABLAST will provide the purchaser with reasonable assistance in making any claim for breach of these warranties.

In no event will NOVABLAST be liable for indirect, incidental, special, or consequential damages resulting from NOVABLAST supplying equipment hereunder, or the furnishing, performance, or use of any products or other goods sold hereto, whether due to a breach of contract, breach of warranty, the negligence of NOVABLAST, or otherwise.

NOVABLAST INFORMATION

TO PLACE AN ORDER OR FOR SERVICE contact your NOVABLAST distributor or call +31 (0)85 444 48 90 to identify the nearest distributor.