

80V ELECTRIC PNEUMATIC

 **TOYOTA**

INDUSTRIAL EQUIPMENT

REACH NEW HEIGHTS

4000 - 7000 LBS.

SPECIFICATIONS



8FBMKT25-30 | 8FBMT20-35

CLASS

1

ELECTRIC MOTOR RIDERS

ToyotaForklift.com

80V ELECTRIC PNEUMATIC

CAPACITY
4000 - 7000 LBS.

WHEELBASE
62 - 68 IN.

LOAD CENTER
24 IN.

INDUSTRIES



Agriculture



Brick, Block
& Pipe



Concrete



Distribution



Oil & Gas

STANDARD FEATURES

SAFETY

- System of Active Stability™ (SAS)
 - Active control rear stabilizer
 - Active mast function controller
- Operator Presence Sensing System (OPSS)
- Key lowering interlock
- Electric horn
- Manual return to neutral

PERFORMANCE

- AC drive system
- AC hydraulic lift system
- Three forms of energy regeneration
 - Coast control
 - Plug braking
 - Foot braking
- Digital (LCD) multifunction display
 - Time & date
 - Speedometer
 - Multifunction hour meter
 - Battery capacity indicator
 - Over-discharge warning (lift interrupt)
 - Parking brake indicator
- Low-speed-setting switch
- Direction indicator
- Maximum speed limiter
- Built-in analyzer
- Self-diagnostics
- Power select functions (S.P.H.)

BODY/EXTERIOR DESIGN

- Wide-view 2-stage mast (V)
- Punched plate entry/exit step
- 48" load backrest extension
- Solid pneumatic tires
- Wide-view carriage bars
- Drawbar pin
- Adjustable front headlights
- ORS vinyl full-suspension seat
- Retractable non-cinching seat belt
- Wide-opening battery hood
- Bolt-on overhead guard
- Long forkbar option (see dealer for details)

OPERABILITY & ERGONOMICS

- Strategically configured instrument display
- On-demand hydrostatic power steering
- Dual operator assist grips
- SAS automatic fork-leveling control
- Electric directional shift control
- 11.8"-dia. two-spoke steering wheel
- Seat-mounted mini-lever hydraulic controls
- Heavy-duty slip-resistant floor mat
- Dash-integrated pen/pencil holder
- Hood-integrated clipboard
- Dash-mounted cup holder
- Automatic parking brake

SERVICEABILITY

- AC drive motor (no brushes or commutator)
- AC hydraulic motor (no brushes or commutator)
- Easy-access no-tools floorboard
- Battery compartment hood assist damper
- Planned maintenance indicator
- Easy-access controllers
- CAN-bus controller wiring

OPTIONAL EQUIPMENT

LOAD HANDLING

- Wide visible mast (V)
- Full free-lift 2-stage mast (FV)
- Full free-lift 2-cylinder 2-stage mast (FW)
- Full free-lift 3-stage mast (FSV)
- Full free-lift 4-cylinder 3-stage mast (FSW)
- Mast shipped separately (for masts with lowered height greater than 104")
- Fully oil-charged lift cylinders (includes M62A)
- Cushioned lower near floor
- Tilt cylinder boots
- Mast tilt (bottler's tilt 10° forward/ 5° backward)
- Tapered forks
- Fully tapered & polished forks
- Fork bar (wide carriage)
- High-load backrest
- Less forks
- Less backrest

Optional Equipment, continued

LOAD HANDLING (HOSE & VALVE ASSEMBLY)

- 3-way valve (no 3rd function hosing)
- 3-way valve (with 3rd function hosing)
- 4-way valve (no 3rd & 4th function hosing)
- 4-way valve (with 3rd function hosing)
- 4-way valve (with 3rd & 4th function hosing)
- Clamp release interlock
- Cascade hang-on sideshifter
- Integral sideshifter
- Hydraulic cushioned forks
- Hydraulic accumulator
- Hydraulic quick disconnects on 3rd lever
- Hydraulic quick disconnects on 4th lever

LIGHTS & INDICATORS

- Front combination lights (includes headlights)
- LED front combination headlights
- Rear combination lights
- LED rear combination light
- Rear working light
- LED rear working light
- Double rear working light
- LED double rear working light
- LED headlights
- Operator compartment light
- Strobe light, yellow (on top of OHG)
- Strobe light, yellow (on bottom of OHG)
- Rotary light, yellow (on top of OHG)
- Rotary light, yellow (on bottom of OHG)
- Deluxe display (includes tilt & load indicator)
- Back up buzzer
- Armrest horn

BODY

- Left-hand shift lever
- Joystick hydraulic controls with ErgoShift
- Speed and acceleration control (with load)
- Double accelerator pedal (one on each side of brake pedal)
- D2 pedal layout
- Rearview mirrors (left & right sides)
- Flat internal rearview mirror
- Panoramic rearview mirror
- Drive unit protector
- Battery slide-out with side covers
- Battery low lift-out with side covers
- Battery side extraction with fork pockets & side covers
- Touchpad keyless entry system
- Rear assist grip with horn button
- Impact sensor
- Auto height select
- 24-Volt power supply (80W)
- 12-Volt power supply (80W)
- Anti-static strap
- Cloth ORS 4-way adjustable full-suspension seat
- Swivel seat
- Orange seatbelt
- Raised overhead guard
- Steel cabin
- Comfort cabin with CD stereo
- Cabin without doors (includes windshield with wiper, roof & rear glass)
- Cabin without doors for raised OHG
- Canvas cabin (includes windshield with wiper & roof)
- Front windshield with wiper & roof
- Overhead guard sheet
- Heater
- Sun visor
- Clipboard

WHEELS & TIRES

- Solid pneumatic (Marangoni)
- Solid pneumatic (Continental)
- Non-marking solid pneumatic (Marangoni)
- Non-marking solid pneumatic (Continental)

SPECIAL MODEL

- Cold storage model
- Rustproof specification
- Fisherman spec model

TRUCK SPECIFICATIONS

MODEL NUMBERS

GENERAL DATA				05-8FBM20T	05-8FBMK25T	05-8FBM25T
Load Capacity		lb (kg)		4000 (2000)	5000 (2500)	5000 (2500)
Power Type	Battery			Battery	Battery	Battery
	Voltage	V		80	80	80
Operator Position				Seated Rider	Seated Rider	Seated Rider
Tire Type		Front / Rear		Solid Pneumatic	Solid Pneumatic	Solid Pneumatic
Wheels (x = driven)		Front / Rear		2x / 2	2x / 2	2x / 2
EXTERIOR DIMENSIONS				05-8FBM20T	05-8FBMK25T	05-8FBM25T
A	Maximum Fork Height (MFH, V mast, top of forks)		in (mm)	131.5 (3340)	131.5 (3340)	131.5 (3340)
B	Free-Lift (top of forks)		in (mm)	4.73 (120)	4.73 (120)	4.73 (120)
C	Fork Size (T x W x L)		in (mm)	1.6 x 5 x 42 (40 x 125 x 1070)	1.6 x 5 x 42 (40 x 125 x 1070)	1.6 x 5 x 42 (40 x 125 x 1070)
D	Tilt Range (forward / backward)		deg	4.5 / 8	4.5 / 8	4.5 / 8
E	Length to Fork Face		in (mm)	89.9 (2284)	89.9 (2284)	95.6 (2429)
F	Overall Width		in (mm)	47 (1195)	47 (1195)	47 (1195)
G	Mast Lowered Height		in (mm)	88 (2235)	88 (2235)	88 (2235)
H	Mast Extended Height (top of load backrest)		in (mm)	179.5 (4559)	179.5 (4559)	179.5 (4559)
I	Overhead Guard Height		in (mm)	87.2 (2215)	87.2 (2215)	87.2 (2215)
J	Turning Radius (outside)		in (mm)	78.9 (2003)	78.9 (2003)	84.2 (2138)
K	Load Distance (centerline of front axle to front face of forks)		in (mm)	16.5 (420)	16.5 (420)	16.5 (420)
	Basic Right-Angle Stacking Aisle Width (add load length & clearance)		in (mm)	95.4 (2423)	95.4 (2423)	100.7 (2558)
PERFORMANCE DATA				05-8FBM20T	05-8FBMK25T	05-8FBM25T
Speeds	Maximum Travel (forward / reverse)	Full Load	mph (km/h)	11.8 (19)	11.8 (19)	11.8 (19)
		No Load	mph (km/h)	12.4 (20)	12.4 (20)	12.4 (20)
	Lifting	Full Load	fpm (mm/sec)	96 (490)	91 (460)	91 (460)
		No Load	fpm (mm/sec)	124 (630)	124 (630)	124 (630)
	Lowering	Full Load	fpm (mm/sec)	106 (540)	100 (510)	100 (510)
		No Load	fpm (mm/sec)	86 (435)	94 (480)	94 (480)
Drawbar Pull	5-Minute Ratings		lbf (N)	4271 (19000)	4271 (19000)	4271 (19000)
	60-Minute Ratings		lbf (N)	2001 (8900)	2001 (8900)	2001 (8900)
Gradeability*	5-Minute Ratings		% (tan θ)	26 / 29	25 / 29	24 / 29
	30-Minute Ratings		% (tan θ)	17 / 29	16 / 28	15 / 25
TRUCK WEIGHTS				05-8FBM20T	05-8FBMK25T	05-8FBM25T
Total Weight Without Battery		lb (kg)		9855 (4470)	10038 (4553)	10602 (4809)
Weight Distribution (with standard battery)	Full Load	Front	lb (kg)	11576 (5251)	13210 (5992)	13320 (6042)
		Rear	lb (kg)	2277 (1033)	1828 (829)	2282 (1035)
	No Load	Front	lb (kg)	4568 (2072)	4960 (2250)	4941 (2241)
		Rear	lb (kg)	4687 (2126)	4894 (2220)	5097 (2312)
TIRES				05-8FBM20T	05-8FBMK25T	05-8FBM25T
Tires	Number (front / rear)			2 / 2	2 / 2	2 / 2
	Size	Front		23 x 9 - 10	23 x 9 - 10	23 x 9 - 10
Rear			18 x 7 - 8	18 x 7 - 8	18 x 7 - 8	
Wheelbase		in (mm)		62 (1575)	62 (1575)	67.7 (1720)
Tread	Front	in (mm)		38.8 (986)	38.8 (986)	38.8 (986)
	Rear	in (mm)		37 (940)	37 (940)	37 (940)
Underclearance (full load)	Minimum <Mast>		in (mm)	3.7 (95)	3.7 (95)	3.7 (95)
	Center of Wheelbase		in (mm)	4.5 (115)	4.5 (115)	4.5 (115)
Brake	Service (foot)			Hydraulic	Hydraulic	Hydraulic
	Parking (hand)			Mechanical	Mechanical	Mechanical
POWER SYSTEM				05-8FBM20T	05-8FBMK25T	05-8FBM25T
Battery (5-hour rating)		V / Ah		80 / 20	80 / 560	80 / 700
Electric Motors	Drive	hp (kW)		26.8 (20)	26.8 (20)	26.8 (20)
	Load Handling	hp (kW)		34.2 (25.5)	34.2 (25.5)	34.2 (25.5)
Control Type	Drive			Transistor Inverter	Transistor Inverter	Transistor Inverter
	Load Handling			Transistor Inverter	Transistor Inverter	Transistor Inverter
	Power Steering			Transistor Inverter	Transistor Inverter	Transistor Inverter
Auxiliary Hydraulic Function Specifications (for attachments) ¹	Max. Operating Pressure		psi (bar)	2321 (160)	2321 (160)	2321 (160)
	Maximum Flow Rate		gpm (lpm)	10.6 (40)	10.6 (40)	10.6 (40)
Reference the 80-Volt forklift manual for Flow & Pressure Specifications Chart						

* Computed values.

¹ Values taken at Hydraulic Control Valve. Does not take in to consideration losses through mast plumbing (hosing, fittings, QDs, etc.).

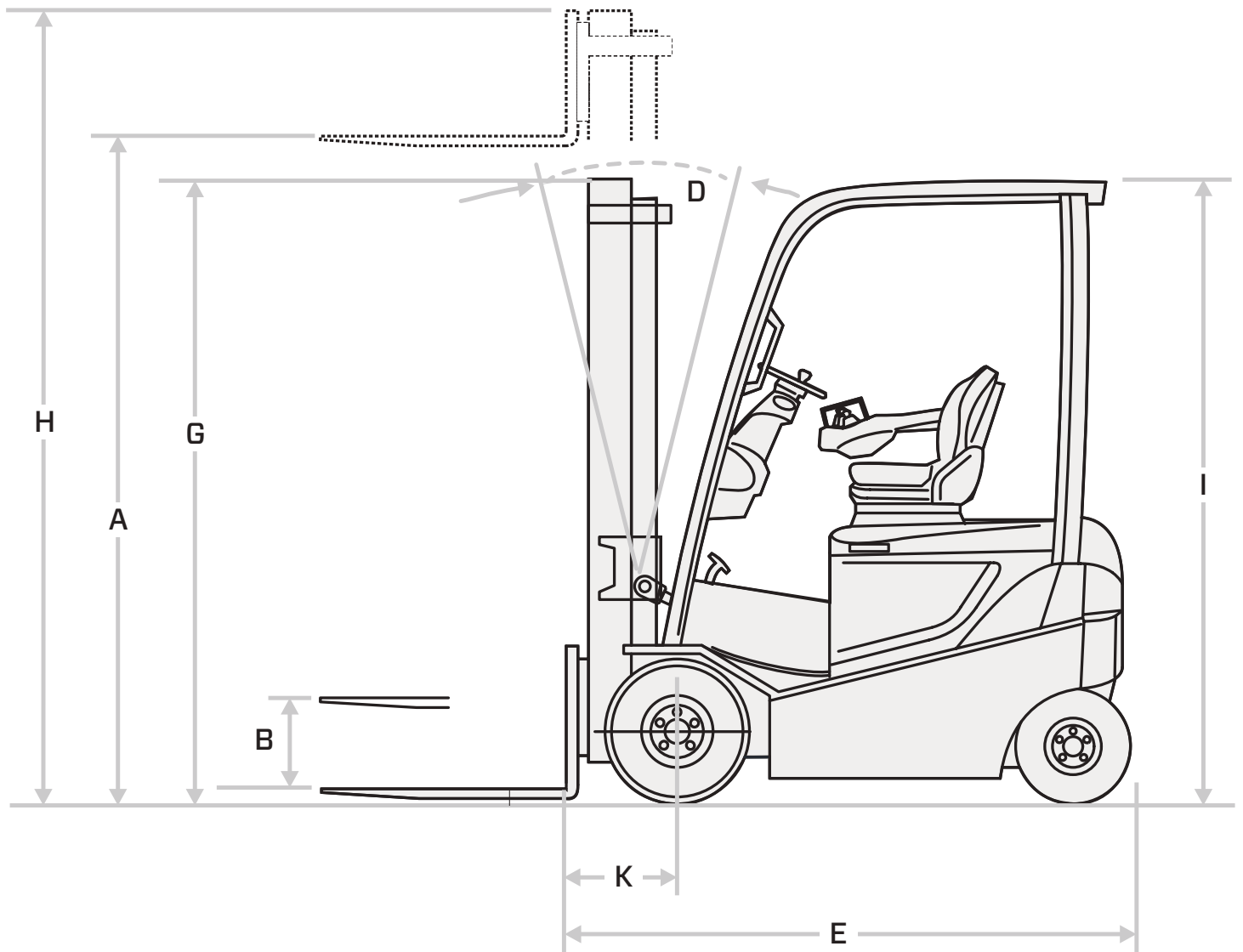
MODEL NUMBERS

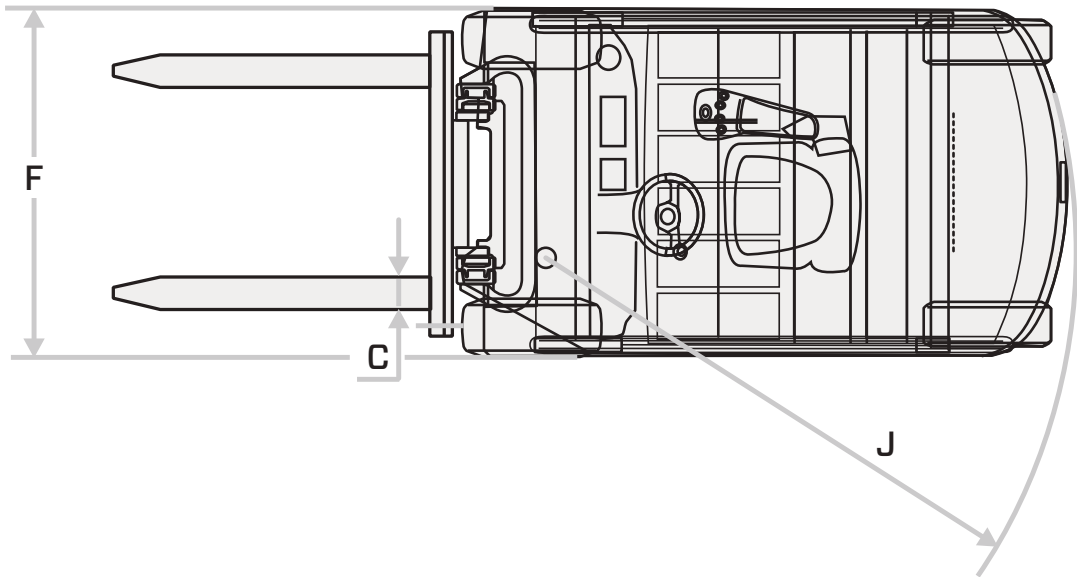
GENERAL DATA				05-8FBMK30T	05-8FBM30T	05-8FBM35T
Load Capacity		lb (kg)		6000 (2722)	6000 (2722)	7000 (3175)
Power Type			Battery	Battery	Battery	
	Voltage	V	80	80	80	
Operator Position				Seated Rider	Seated Rider	Seated Rider
Tire Type		Front / Rear		Solid Pneumatic	Solid Pneumatic	Solid Pneumatic
Wheels (x = driven)		Front / Rear		2x / 2	2x / 2	2x / 2
EXTERIOR DIMENSIONS				05-8FBMK30T	05-8FBM30T	05-8FBM35T
A	Maximum Fork Height (MFH, V mast, top of forks)		in (mm)	131.7 (3345)	131.7 (3345)	131.7 (3345)
B	Free-Lift (top of forks)		in (mm)	4.9 (125)	4.9 (125)	4.9 (125)
C	Fork Size (T x W x L)		in (mm)	1.8 x 5 x 42 (45 x 125 x 1070)	1.8 x 5 x 42 (45 x 125 x 1070)	1.8 x 5 x 42 (45 x 125 x 1070)
D	Tilt Range (forward / backward)		deg	4.5 / 8	4.5 / 8	4.5 / 8
E	Length to Fork Face		in (mm)	91.9 (2334)	96.4 (2449)	97.6 (2479)
F	Overall Width		in (mm)	47 (1195)	47 (1195)	47 (1195)
G	Mast Lowered Height		in (mm)	94.3 (2395)	94.3 (2395)	94.3 (2395)
H	Mast Extended Height (top of load backrest)		in (mm)	179.7 (4564)	179.7 (4564)	179.7 (4564)
I	Overhead Guard Height		in (mm)	87.2 (2215)	87.2 (2215)	87.2 (2215)
J	Turning Radius (outside)		in (mm)	80 (2032)	84.2 (2138)	85.3 (2167)
K	Load Distance (centerline of front axle to front face of forks)		in (mm)	17.3 (440)	18.5 (470)	17.3 (440)
	Basic Right-Angle Stacking Aisle Width (add load length & clearance)		in (mm)	97.3 (2471)	102.6 (2606)	101.5 (2577)
PERFORMANCE DATA				05-8FBMK30T	05-8FBM30T	05-8FBM35T
Speeds	Maximum Travel (forward / reverse)	Full Load	mph (km/h)	11.8 (19)	11.8 (19)	11.8 (19)
		No Load	mph (km/h)	12.4 (20)	12.4 (20)	12.4 (20)
	Lifting	Full Load	fpm (mm/sec)	75 (380)	75 (380)	69 (350)
		No Load	fpm (mm/sec)	108 (550)	108 (550)	108 (550)
	Lowering	Full Load	fpm (mm/sec)	110 (560)	110 (560)	110 (560)
		No Load	fpm (mm/sec)	83 (420)	83 (420)	87 (440)
Drawbar Pull	5-Minute Ratings		lbf (N)	4271 (19000)	4271 (19000)	4271 (19000)
	60-Minute Ratings		lbf (N)	2001 (8900)	2001 (8900)	2001 (8900)
Gradeability*	5-Minute Ratings		% (tan θ)	21 / 29	22 / 29	19 / 27
	30-Minute Ratings		% (tan θ)	13 / 23	13 / 23	11 / 21
TRUCK WEIGHTS				05-8FBMK30T	05-8FBM30T	05-8FBM35T
Total Weight Without Battery		lb (kg)		11462 (5199)	11378 (5161)	12330 (5593)
Weight Distribution (with standard battery)	Full Load	Front	lb (kg)	15390 (6981)	15483 (7023)	17084 (7749)
		Rear	lb (kg)	2072 (940)	1896 (860)	2249 (1020)
	No Load	Front	lb (kg)	5386 (2443)	5816 (2638)	5803 (2632)
		Rear	lb (kg)	6076 (2756)	5565 (2524)	6528 (2961)
TIRES				05-8FBMK30T	05-8FBM30T	05-8FBM35T
Tires	Number (front / rear)			2 / 2	2 / 2	2 / 2
	Size	Front		23 x 10 - 12	23 x 10 - 12	23 x 10 - 12
Rear			18 x 7 - 8	18 x 7 - 8	18 x 7 - 8	
Wheelbase		in (mm)		62 (1575)	67.7 (1720)	67.7 (1720)
Tread	Front	in (mm)		37.2 (946)	37.2 (946)	37.2 (946)
	Rear	in (mm)		37 (940)	37 (940)	37 (940)
Underclearance (full load)	Minimum <Mast>		in (mm)	3.7 (95)	3.7 (95)	3.7 (95)
	Center of Wheelbase		in (mm)	4.5 (115)	4.5 (115)	4.5 (115)
Brake	Service (foot)			Hydraulic	Hydraulic	Hydraulic
	Parking (hand)			Mechanical	Mechanical	Mechanical
POWER SYSTEM				05-8FBMK30T	05-8FBM30T	05-8FBM35T
Battery (5-hour rating)		V / Ah		80 / 560	80 / 700	80 / 700
Electric Motors	Drive	hp (kW)		26.8 (20)	26.8 (20)	26.8 (20)
	Load Handling	hp (kW)		34.2 (25.5)	34.2 (25.5)	34.2 (25.5)
Control Type	Drive			Transistor Inverter	Transistor Inverter	Transistor Inverter
	Load Handling			Transistor Inverter	Transistor Inverter	Transistor Inverter
	Power Steering			Transistor Inverter	Transistor Inverter	Transistor Inverter
Auxiliary Hydraulic Function Specifications (For Attachments) ¹	Max. Operating Pressure		psi (bar)	2321 (160)	2321 (160)	2321 (160)
	Maximum Flow Rate		gpm (lpm)	10.6 (40)	10.6 (40)	10.6 (40)
Reference the 80-Volt forklift manual for Flow & Pressure Specifications Chart						

* Computed values.

¹ Values taken at Hydraulic Control Valve. Does not take in to consideration losses through mast plumbing (hosing, fittings, QDs, etc.).

EXTERIOR DIMENSIONS





MAST SPECIFICATIONS

MAST TYPE	MAXIMUM FORK HEIGHT (TOP OF FORKS)	OVERALL HEIGHT				FREE-LIFT		TILT RANGE		LOAD CAPACITY AT	
		LOWERED	EXTENDED		WITHOUT LOAD BACKREST	WITH STANDARD LOAD BACKREST ¹	FWD	BWD	24 IN. (610 MM) LOAD CENTER*	32 IN. (810 MM) LOAD CENTER*	
			WITHOUT LOAD BACKREST	WITH STANDARD LOAD BACKREST ¹							deg
05-8FBM20T											
Wide Visible (V)	119.5 (3040)	84 (2135)	145.6 (3699)	167.7 (4259)	4.73 (120)	4.73 (120)	4.5	8	4000 (1814)	3349 (1519)	
	131.5 (3340)	88 (2235)	157.4 (3999)	179.5 (4559)	4.73 (120)	4.73 (120)	4.5	8	4000 (1814)	3349 (1519)	
	147 (3740)	101.8 (2585)	173.2 (4399)	195.2 (4959)	4.73 (120)	4.73 (120)	4.5	8	4000 (1814)	3349 (1519)	
	159 (4040)	111.6 (2835)	185 (4699)	207.1 (5259)	4.73 (120)	4.73 (120)	4.5	8	4000 (1814)	3349 (1519)	
	179 (4540)	121.5 (3085)	204.7 (5199)	226.7 (5759)	4.73 (120)	4.73 (120)	4.5	8	4000 (1814)	3349 (1519)	
Full Free-Lift 2-Stage (FV)	119.5 (3040)	84 (2135)	145.6 (3699)	167.7 (4259)	59.5 (1511)	38 (965)	4.5	8	4000 (1814)	3349 (1519)	
	131.5 (3340)	88 (2235)	157.4 (3999)	179.5 (4559)	63.4 (1611)	41.9 (1065)	4.5	8	4000 (1814)	3349 (1519)	
	147 (3740)	101.8 (2585)	173.2 (4399)	195.2 (4959)	77.2 (1961)	55.7 (1415)	4.5	8	4000 (1814)	3349 (1519)	
	159 (4040)	111.6 (2835)	185 (4699)	207.1 (5259)	87.1 (2211)	65.6 (1665)	4.5	8	4000 (1814)	3349 (1519)	
Full Free-Lift 2-Stage, 4-Cylinder (FW)	119.5 (3040)	84 (2135)	145.6 (3699)	167.7 (4259)	60.6 (1540)	36 (915)	4.5	8	4000 (1814)	3349 (1519)	
	131.5 (3340)	88.8 (2255)	157.4 (3999)	179.5 (4559)	65.4 (1660)	40.7 (1035)	4.5	8	4000 (1814)	3349 (1519)	
	147 (3740)	98.6 (2505)	173.2 (4399)	195.2 (4959)	72.4 (1840)	50.6 (1285)	4.5	8	4000 (1814)	3349 (1519)	
	159 (4040)	104.5 (2655)	185 (4699)	207.1 (5259)	80.7 (2050)	56.5 (1435)	4.5	8	4000 (1814)	3349 (1519)	
Full Free-Lift 3-Stage (FSV)	171 (4340)	84 (2135)	196.8 (4999)	218.9 (5559)	58.1 (1476)	37.6 (955)	4.5	8	4000 (1814)	3349 (1519)	
	186.5 (4740)	88 (2235)	212.6 (5399)	234.6 (5959)	62 (1576)	41.5 (1055)	4.5	8	4000 (1814)	3349 (1519)	
	198 (5040)	94.3 (2395)	224.4 (5699)	246.4 (6259)	68.3 (1736)	47.8 (1215)	4.5	8	4000 (1814)	3349 (1519)	
	218 (5540)	101.8 (2585)	244.1 (6199)	266.1 (6759)	75.8 (1926)	55.3 (1405)	4.5	8	4000 (1814)	3349 (1519)	
	238 (6040)	111.6 (2835)	263.7 (6699)	285.8 (7259)	85.7 (2176)	65.2 (1655)	4.5	8	3307 (1500)	2769 (1256)	
	257 (6540)	121.5 (3085)	283.4 (7199)	305.5 (7759)	95.5 (2426)	75 (1905)	4.5	8	2800 (1270)	2345 (1063)	
Full Free-Lift 3-Stage, 4-Cylinder (FSW)	173 (4400)	82.1 (2085)	199.2 (5059)	221.2 (5619)	58.3 (1480)	34.1 (865)	4.5	8	4000 (1814)	3349 (1519)	
	186.5 (4740)	86.8 (2205)	212.6 (5399)	234.6 (5959)	63 (1600)	38.8 (985)	4.5	8	4000 (1814)	3349 (1519)	
	198 (5040)	90.7 (2305)	224.4 (5699)	246.4 (6259)	67 (1700)	42.7 (1085)	4.5	8	4000 (1814)	3349 (1519)	
	218 (5540)	98.6 (2505)	244.1 (6199)	266.1 (6759)	74.8 (1900)	50.6 (1285)	4.5	8	4000 (1814)	3349 (1519)	
	238 (6040)	104.5 (2655)	263.7 (6699)	285.8 (7259)	80.7 (2050)	56.5 (1435)	4.5	8	3307 (1500)	2769 (1256)	
	257 (6540)	112.4 (2855)	283.4 (7199)	305.5 (7759)	88.6 (2250)	64.4 (1635)	4.5	8	2800 (1270)	2345 (1063)	

MAST TYPE	MAXIMUM FORK HEIGHT (TOP OF FORKS)	OVERALL HEIGHT				FREE-LIFT		TILT RANGE		LOAD CAPACITY AT	
		LOWERED	EXTENDED		WITHOUT LOAD BACKREST	WITH STANDARD LOAD BACKREST ¹	FWD	BWD	24 IN. (610 MM) LOAD CENTER*	32 IN. (810 MM) LOAD CENTER*	
			WITHOUT LOAD BACKREST	WITH STANDARD LOAD BACKREST ¹							deg
05-8FBMK25T											
Wide Visible (V)	119.5 (3040)	84 (2135)	145.6 (3699)	167.7 (4259)	4.73 (120)	4.73 (120)	4.5	8	5000 (2268)	3968 (1800)	
	131.5 (3340)	88 (2235)	157.4 (3999)	179.5 (4559)	4.73 (120)	4.73 (120)	4.5	8	5000 (2268)	3968 (1800)	
	147 (3740)	101.8 (2585)	173.2 (4399)	195.2 (4959)	4.73 (120)	4.73 (120)	4.5	8	5000 (2268)	3968 (1800)	
	159 (4040)	111.6 (2835)	185 (4699)	207.1 (5259)	4.73 (120)	4.73 (120)	4.5	8	5000 (2268)	3968 (1800)	
	179 (4540)	121.5 (3085)	204.7 (5199)	226.7 (5759)	4.73 (120)	4.73 (120)	4.5	8	5000 (2268)	3968 (1800)	
Full Free-Lift 2-Stage (FV)	119.5 (3040)	84 (2135)	145.6 (3699)	167.7 (4259)	59.5 (1511)	38 (965)	4.5	8	5000 (2268)	3968 (1800)	
	131.5 (3340)	88 (2235)	157.4 (3999)	179.5 (4559)	63.4 (1611)	41.9 (1065)	4.5	8	5000 (2268)	3968 (1800)	
	147 (3740)	101.8 (2585)	173.2 (4399)	195.2 (4959)	77.2 (1961)	55.7 (1415)	4.5	8	5000 (2268)	3968 (1800)	
	159 (4040)	111.6 (2835)	185 (4699)	207.1 (5259)	87.1 (2211)	65.6 (1665)	4.5	8	5000 (2268)	3968 (1800)	
Full Free-Lift 2-Stage, 4-Cylinder (FW)	119.5 (3040)	84 (2135)	145.6 (3699)	167.7 (4259)	60.6 (1540)	36 (915)	4.5	8	5000 (2268)	3968 (1800)	
	131.5 (3340)	88.8 (2255)	157.4 (3999)	179.5 (4559)	65.4 (1660)	40.7 (1035)	4.5	8	5000 (2268)	3968 (1800)	
	147 (3740)	98.6 (2505)	173.2 (4399)	195.2 (4959)	72.4 (1840)	50.6 (1285)	4.5	8	5000 (2268)	3968 (1800)	
	159 (4040)	104.5 (2655)	185 (4699)	207.1 (5259)	80.7 (2050)	56.5 (1435)	4.5	8	5000 (2268)	3968 (1800)	
Full Free-Lift 3-Stage (FSV)	171 (4340)	84 (2135)	196.8 (4999)	218.9 (5559)	58.1 (1476)	37.6 (955)	4.5	8	4938 (2240)	3968 (1800)	
	186.5 (4740)	88 (2235)	212.6 (5399)	234.6 (5959)	62 (1576)	41.5 (1055)	4.5	8	4828 (2190)	3968 (1800)	
	198 (5040)	94.3 (2395)	224.4 (5699)	246.4 (6259)	68.3 (1736)	47.8 (1215)	4.5	8	4740 (2150)	3968 (1800)	
	218 (5540)	101.8 (2585)	244.1 (6199)	266.1 (6759)	75.8 (1926)	55.3 (1405)	4.5	8	4145 (1880)	3483 (1580)	
	238 (6040)	111.6 (2835)	263.7 (6699)	285.8 (7259)	85.7 (2176)	65.2 (1655)	4.5	8	3307 (1500)	2778 (1260)	
	257 (6540)	121.5 (3085)	283.4 (7199)	305.5 (7759)	95.5 (2426)	75 (1905)	4.5	8	2800 (1270)	2337 (1270)	
Full Free-Lift 3-Stage, 4-Cylinder (FSW)	173 (4400)	82.1 (2085)	199.2 (5059)	221.2 (5619)	58.3 (1480)	34.1 (865)	4.5	8	4938 (2240)	3968 (1800)	
	186.5 (4740)	86.8 (2205)	212.6 (5399)	234.6 (5959)	63 (1600)	38.8 (985)	4.5	8	4828 (2190)	3968 (1800)	
	198 (5040)	90.7 (2305)	224.4 (5699)	246.4 (6259)	67 (1700)	42.7 (1085)	4.5	8	4740 (2150)	3968 (1800)	
	218 (5540)	98.6 (2505)	244.1 (6199)	266.1 (6759)	74.8 (1900)	50.6 (1285)	4.5	8	4145 (1880)	3483 (1580)	
	238 (6040)	104.5 (2655)	263.7 (6699)	285.8 (7259)	80.7 (2050)	56.5 (1435)	4.5	8	3307 (1500)	2778 (1260)	
	257 (6540)	112.4 (2855)	283.4 (7199)	305.5 (7759)	88.6 (2250)	64.4 (1635)	4.5	8	2800 (1270)	2337 (1270)	

¹ Height of standard load backrest is 48" (1220 mm).
 *All capacities of 1500 lbs. or less are subject to a secondary review and could be denied by Toyota.

MAST TYPE	MAXIMUM FORK HEIGHT (TOP OF FORKS)	OVERALL HEIGHT				FREE-LIFT		TILT RANGE		LOAD CAPACITY AT	
		LOWERED	EXTENDED		WITHOUT LOAD BACKREST	WITH STANDARD LOAD BACKREST ¹	FWD	BWD	24 IN. (610 MM) LOAD CENTER*	32 IN. (810 MM) LOAD CENTER*	
			WITHOUT LOAD BACKREST	WITH STANDARD LOAD BACKREST ¹							
in (mm)	in (mm)	in (mm)	in (mm)	in (mm)	in (mm)	deg	deg	lb (kg)	lb (kg)		
05-8FBM25T											
Wide Visible (V)	119.5 (3040)	84 (2135)	145.6 (3699)	167.7 (4259)	4.73 (120)	4.73 (120)	4.5	8	5000 (2268)	3968 (1800)	
	131.5 (3340)	88 (2235)	157.4 (3999)	179.5 (4559)	4.73 (120)	4.73 (120)	4.5	8	5000 (2268)	3968 (1800)	
	147 (3740)	101.8 (2585)	173.2 (4399)	195.2 (4959)	4.73 (120)	4.73 (120)	4.5	8	5000 (2268)	3968 (1800)	
	159 (4040)	111.6 (2835)	185 (4699)	207.1 (5259)	4.73 (120)	4.73 (120)	4.5	8	5000 (2268)	3968 (1800)	
Full Free-Lift 2-Stage (FV)	119.5 (3040)	84 (2135)	145.6 (3699)	167.7 (4259)	59.5 (1511)	38 (965)	4.5	8	5000 (2268)	3968 (1800)	
	131.5 (3340)	88 (2235)	157.4 (3999)	179.5 (4559)	63.4 (1611)	41.9 (1065)	4.5	8	5000 (2268)	3968 (1800)	
	147 (3740)	101.8 (2585)	173.2 (4399)	195.2 (4959)	77.2 (1961)	55.7 (1415)	4.5	8	5000 (2268)	3968 (1800)	
Full Free-Lift 2-Stage, 4-Cylinder (FW)	119.5 (3040)	84 (2135)	145.6 (3699)	167.7 (4259)	60.6 (1540)	36 (915)	4.5	8	5000 (2268)	3968 (1800)	
	131.5 (3340)	88.8 (2255)	157.4 (3999)	179.5 (4559)	65.4 (1660)	40.7 (1035)	4.5	8	5000 (2268)	3968 (1800)	
	147 (3740)	98.6 (2505)	173.2 (4399)	195.2 (4959)	72.4 (1840)	50.6 (1285)	4.5	8	5000 (2268)	3968 (1800)	
Full Free-Lift 3-Stage (FSV)	159 (4040)	104.5 (2655)	185 (4699)	207.1 (5259)	80.7 (2050)	56.5 (1435)	4.5	8	5000 (2268)	3968 (1800)	
	171 (4340)	84 (2135)	196.8 (4999)	218.9 (5559)	58.1 (1476)	37.6 (955)	4.5	8	5000 (2268)	3968 (1800)	
	186.5 (4740)	88 (2235)	212.6 (5399)	234.6 (5959)	62 (1576)	41.5 (1055)	4.5	8	5000 (2268)	3968 (1800)	
	198 (5040)	94.3 (2395)	224.4 (5699)	246.4 (6259)	68.3 (1736)	47.8 (1215)	4.5	8	5000 (2268)	3968 (1800)	
	218 (5540)	101.8 (2585)	244.1 (6199)	266.1 (6759)	75.8 (1926)	55.3 (1405)	4.5	8	5000 (2268)	3968 (1800)	
	238 (6040)	111.6 (2835)	263.7 (6699)	285.8 (7259)	85.7 (2176)	65.2 (1655)	4.5	8	3990 (1810)	3351 (1520)	
Full Free-Lift 3-Stage, 4-Cylinder (FSW)	257 (6540)	121.5 (3085)	283.4 (7199)	305.5 (7759)	95.5 (2426)	75 (1905)	4.5	8	3880 (1760)	3263 (1480)	
	173 (4400)	82.1 (2085)	199.2 (5059)	221.2 (5619)	58.3 (1480)	34.1 (865)	4.5	8	5000 (2268)	3968 (1800)	
	186.5 (4740)	86.8 (2205)	212.6 (5399)	234.6 (5959)	63 (1600)	38.8 (985)	4.5	8	5000 (2268)	3968 (1800)	
	198 (5040)	90.7 (2305)	224.4 (5699)	246.4 (6259)	67 (1700)	42.7 (1085)	4.5	8	5000 (2268)	3968 (1800)	
	218 (5540)	98.6 (2505)	244.1 (6199)	266.1 (6759)	74.8 (1900)	50.6 (1285)	4.5	8	5000 (2268)	3968 (1800)	
	238 (6040)	104.5 (2655)	263.7 (6699)	285.8 (7259)	80.7 (2050)	56.5 (1435)	4.5	8	3990 (1810)	3351 (1520)	

MAST TYPE	MAXIMUM FORK HEIGHT (TOP OF FORKS)	OVERALL HEIGHT				FREE-LIFT		TILT RANGE		LOAD CAPACITY AT	
		LOWERED	EXTENDED		WITHOUT LOAD BACKREST	WITH STANDARD LOAD BACKREST ¹	FWD	BWD	24 IN. (610 MM) LOAD CENTER*	32 IN. (810 MM) LOAD CENTER*	
			WITHOUT LOAD BACKREST	WITH STANDARD LOAD BACKREST ¹							
in (mm)	in (mm)	in (mm)	in (mm)	in (mm)	in (mm)	deg	deg	lb (kg)	lb (kg)		
05-8FBMK30T											
Wide Visible (V)	118 (3005)	87.2 (2215)	145.9 (3705)	166.3 (4224)	4.9 (125)	4.9 (125)	4.5	8	6000 (2722)	5000 (2268)	
	132 (3345)	94.3 (2395)	159.3 (4045)	179.7 (4564)	4.9 (125)	4.9 (125)	4.5	8	6000 (2722)	5000 (2268)	
	147.5 (3745)	101.8 (2585)	175 (4445)	131.3 (3334)	4.9 (125)	4.9 (125)	4.5	8	6000 (2722)	5000 (2268)	
	159 (4045)	111.6 (2835)	186.8 (4745)	207.3 (5264)	4.9 (125)	4.9 (125)	4.5	8	6000 (2722)	5000 (2268)	
Full Free-Lift 2-Stage (FV)	179 (4545)	121.5 (3085)	206.5 (5245)	226.9 (5764)	4.9 (125)	4.9 (125)	4.5	8	6000 (2722)	5000 (2268)	
	120 (3045)	83.7 (2125)	145.9 (3705)	166.3 (4224)	54.9 (1395)	36 (915)	4.5	8	6000 (2722)	5000 (2268)	
	132 (3345)	88.8 (2255)	159.3 (4045)	179.7 (4564)	59.6 (1515)	40.7 (1035)	4.5	8	6000 (2722)	5000 (2268)	
Full Free-Lift 2-Stage, 4-Cylinder (FW)	147.5 (3745)	101.8 (2585)	175 (4445)	131.3 (3334)	72.6 (1845)	53.7 (1365)	4.5	8	6000 (2722)	5000 (2268)	
	159 (4045)	111.6 (2835)	186.8 (4745)	207.3 (5264)	72.6 (1845)	53.7 (1365)	4.5	8	6000 (2722)	5000 (2268)	
	118 (3005)	86 (2185)	145.9 (3705)	166.3 (4224)	59.4 (1510)	38 (965)	4.5	8	6000 (2722)	5000 (2268)	
Full Free-Lift 3-Stage (FSV)	132 (3345)	92.7 (2355)	159.3 (4045)	179.7 (4564)	66.9 (1700)	44.7 (1135)	4.5	8	6000 (2722)	5000 (2268)	
	147.5 (3745)	100.6 (2555)	175 (4445)	131.3 (3334)	74.8 (1900)	52.6 (1335)	4.5	8	6000 (2722)	5000 (2268)	
	159 (4045)	108.5 (2755)	186.8 (4745)	207.3 (5264)	80.3 (2040)	60.4 (1535)	4.5	8	6000 (2722)	5000 (2268)	
Full Free-Lift 3-Stage, 4-Cylinder (FSW)	171 (4345)	84 (2135)	198.6 (5045)	219.1 (5564)	60.2 (1530)	40.9 (1040)	4.5	8	5700 (2585)	4410 (2000)	
	187 (4745)	88 (2235)	214.4 (5445)	234.8 (5964)	67.3 (1710)	48 (1220)	4.5	8	5700 (2585)	4410 (2000)	
	198.5 (5045)	94.3 (2395)	246.6 (5745)	246.6 (6264)	74.8 (1900)	55.5 (1410)	4.5	8	5700 (2585)	4410 (2000)	
	218 (5545)	101.8 (2585)	245.9 (6245)	266.3 (6764)	84.6 (2150)	65.4 (1660)	4.5	8	5335 (2420)	4410 (2000)	
	238 (6045)	111.6 (2835)	265.6 (6745)	286 (7264)	94.5 (2400)	75.2 (1910)	4.5	8	4321 (1960)	3638 (1650)	
	258 (6545)	121.5 (3085)	285.2 (7245)	305.7 (7764)	104.3 (2650)	85 (2160)	4.5	8	3594 (1630)	3020 (1370)	
Full Free-Lift 3-Stage, 4-Cylinder (FSW)	173 (4395)	86 (2185)	200.6 (5095)	221 (5614)	60.2 (1530)	38 (965)	4.5	8	5700 (2585)	4410 (2000)	
	187 (4745)	90.7 (2305)	214.4 (5445)	234.8 (5964)	65 (1650)	42.7 (1085)	4.5	8	5700 (2585)	4410 (2000)	
	198.5 (5045)	94.7 (2405)	246.6 (5745)	246.6 (6264)	68.9 (1750)	46.7 (1185)	4.5	8	5700 (2585)	4410 (2000)	
	218 (5545)	102.6 (2605)	245.9 (6245)	266.3 (6764)	76.8 (1950)	54.5 (1385)	4.5	8	5335 (2420)	4410 (2000)	
	238 (6045)	108.5 (2755)	265.6 (6745)	286 (7264)	82.7 (2100)	60.4 (1535)	4.5	8	4321 (1960)	3638 (1650)	

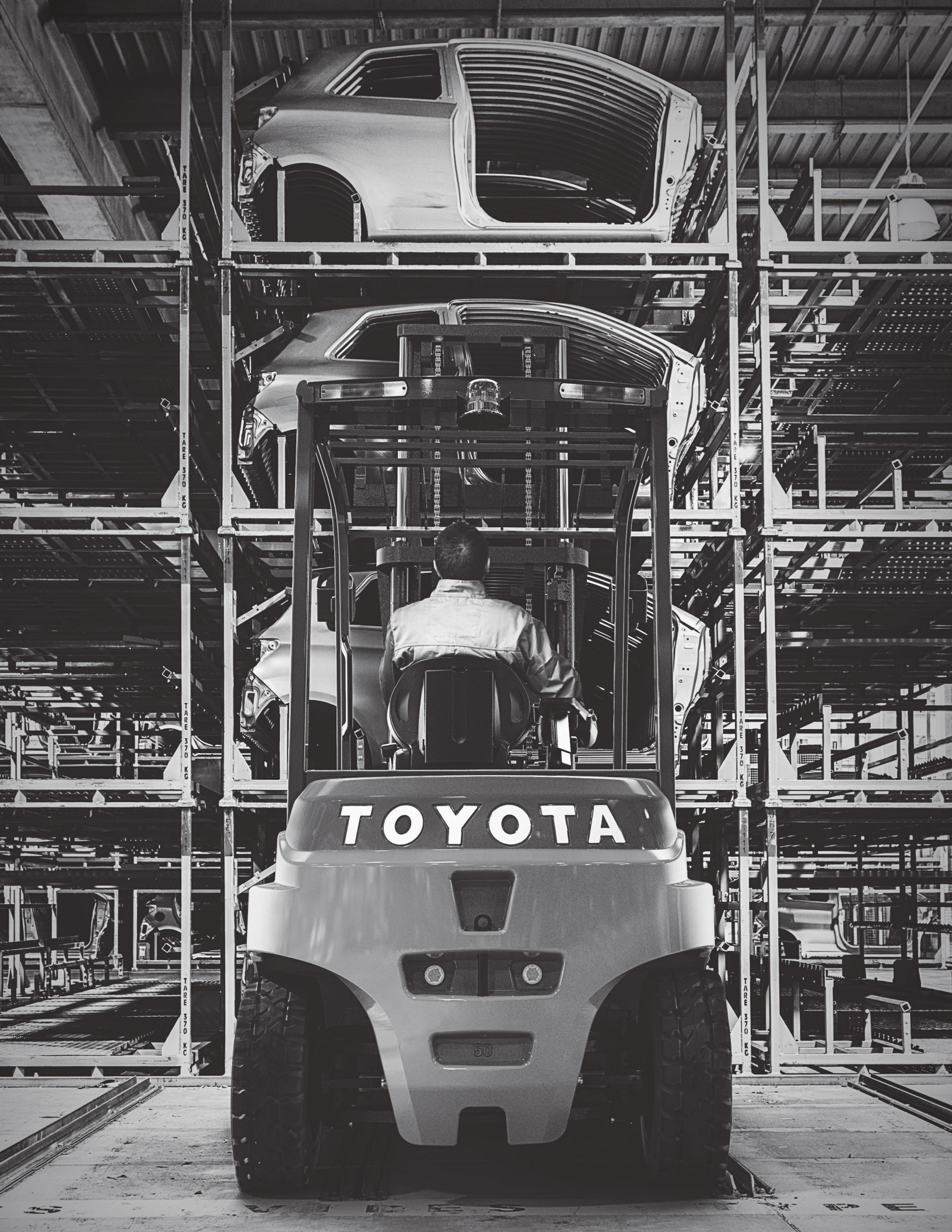
¹ Height of standard load backrest is 48" (1220 mm).
 *All capacities of 1500 lbs. or less are subject to a secondary review and could be denied by Toyota.

MAST SPECIFICATIONS

MAST TYPE	MAXIMUM FORK HEIGHT (TOP OF FORKS)	OVERALL HEIGHT				FREE-LIFT		TILT RANGE		LOAD CAPACITY AT	
		LOWERED	EXTENDED		WITHOUT LOAD BACKREST	WITH STANDARD LOAD BACKREST ¹	FWD	BWD	24 IN. (610 MM) LOAD CENTER*	32 IN. (810 MM) LOAD CENTER*	
			WITHOUT LOAD BACKREST	WITH STANDARD LOAD BACKREST ¹							deg
05-8FBM30T											
Wide Visible (V)	118 (3005)	87.2 (2215)	145.9 (3705)	166.3 (4224)	4.9 (125)	4.9 (125)	4.5	8	6000 (2722)	5000 (2268)	
	132 (3345)	94.3 (2395)	159.3 (4045)	179.7 (4564)	4.9 (125)	4.9 (125)	4.5	8	6000 (2722)	5000 (2268)	
	147.5 (3745)	101.8 (2585)	175 (4445)	131.3 (3334)	4.9 (125)	4.9 (125)	4.5	8	6000 (2722)	5000 (2268)	
	159 (4045)	111.6 (2835)	186.8 (4745)	207.3 (5264)	4.9 (125)	4.9 (125)	4.5	8	6000 (2722)	5000 (2268)	
	179 (4545)	121.5 (3085)	206.5 (5245)	226.9 (5764)	4.9 (125)	4.9 (125)	4.5	8	6000 (2722)	5000 (2268)	
Full Free-Lift 2-Stage (FV)	120 (3045)	83.7 (2125)	145.9 (3705)	166.3 (4224)	54.9 (1395)	36 (915)	4.5	8	6000 (2722)	5000 (2268)	
	132 (3345)	88.8 (2255)	159.3 (4045)	179.7 (4564)	59.6 (1515)	40.7 (1035)	4.5	8	6000 (2722)	5000 (2268)	
	147.5 (3745)	101.8 (2585)	175 (4445)	131.3 (3334)	72.6 (1845)	53.7 (1365)	4.5	8	6000 (2722)	5000 (2268)	
	159 (4045)	111.6 (2835)	186.8 (4745)	207.3 (5264)	72.6 (1845)	53.7 (1365)	4.5	8	6000 (2722)	5000 (2268)	
Full Free-Lift 2-Stage, 4-Cylinder (FW)	118 (3005)	86 (2185)	145.9 (3705)	166.3 (4224)	59.4 (1510)	38 (965)	4.5	8	6000 (2722)	5000 (2268)	
	132 (3345)	92.7 (2355)	159.3 (4045)	179.7 (4564)	66.9 (1700)	44.7 (1135)	4.5	8	6000 (2722)	5000 (2268)	
	147.5 (3745)	100.6 (2555)	175 (4445)	131.3 (3334)	74.8 (1900)	52.6 (1335)	4.5	8	6000 (2722)	5000 (2268)	
	159 (4045)	108.5 (2755)	186.8 (4745)	207.3 (5264)	80.3 (2040)	60.4 (1535)	4.5	8	6000 (2722)	5000 (2268)	
Full Free-Lift 3-Stage (FSV)	171 (4345)	84 (2135)	198.6 (5045)	219.1 (5564)	60.2 (1530)	40.9 (1040)	4.5	8	5700 (2585)	4410 (2000)	
	187 (4745)	88 (2235)	214.4 (5445)	234.8 (5964)	67.3 (1710)	48 (1220)	4.5	8	5700 (2585)	4410 (2000)	
	198.5 (5045)	94.3 (2395)	246.6 (5745)	246.6 (6264)	74.8 (1900)	55.5 (1410)	4.5	8	5700 (2585)	4410 (2000)	
	218 (5545)	101.8 (2585)	245.9 (6245)	266.3 (6764)	84.6 (2150)	65.4 (1660)	4.5	8	5335 (2420)	4410 (2000)	
	238 (6045)	111.6 (2835)	265.6 (6745)	286 (7264)	94.5 (2400)	75.2 (1910)	4.5	8	4387 (1990)	3682 (1670)	
	258 (6545)	121.5 (3085)	285.2 (7245)	305.7 (7764)	104.3 (2650)	85 (2160)	4.5	8	4167 (1890)	3505 (1590)	
Full Free-Lift 3-Stage, 4-Cylinder (FSW)	173 (4395)	86 (2185)	200.6 (5095)	221 (5614)	60.2 (1530)	38 (965)	4.5	8	5700 (2585)	4410 (2000)	
	187 (4745)	90.7 (2305)	214.4 (5445)	234.8 (5964)	65 (1650)	42.7 (1085)	4.5	8	5700 (2585)	4410 (2000)	
	198.5 (5045)	94.7 (2405)	246.6 (5745)	246.6 (6264)	68.9 (1750)	46.7 (1185)	4.5	8	5700 (2585)	4410 (2000)	
	218 (5545)	102.6 (2605)	245.9 (6245)	266.3 (6764)	76.8 (1950)	54.5 (1385)	4.5	8	5335 (2420)	4410 (2000)	
	238 (6045)	108.5 (2755)	265.6 (6745)	286 (7264)	82.7 (2100)	60.4 (1535)	4.5	8	4387 (1990)	3682 (1670)	
	258 (6545)	116.3 (2955)	285.2 (7245)	305.7 (7764)	90.6 (2300)	68.3 (1735)	4.5	8	4167 (1890)	3505 (1590)	

MAST TYPE	MAXIMUM FORK HEIGHT (TOP OF FORKS)	OVERALL HEIGHT				FREE-LIFT		TILT RANGE		LOAD CAPACITY AT	
		LOWERED	EXTENDED		WITHOUT LOAD BACKREST	WITH STANDARD LOAD BACKREST ¹	FWD	BWD	24 IN. (610 MM) LOAD CENTER*	32 IN. (810 MM) LOAD CENTER*	
			WITHOUT LOAD BACKREST	WITH STANDARD LOAD BACKREST ¹							deg
05-8FBM35T											
Wide Visible (V)	118 (3005)	87.2 (2215)	145.9 (3705)	166.3 (4224)	4.9 (125)	4.9 (125)	4.5	8	7000 (3175)	5180 (2350)	
	132 (3345)	94.3 (2395)	159.3 (4045)	179.7 (4564)	4.9 (125)	4.9 (125)	4.5	8	7000 (3175)	5180 (2350)	
	147.5 (3745)	101.8 (2585)	175 (4445)	131.3 (3334)	4.9 (125)	4.9 (125)	4.5	8	7000 (3175)	5180 (2350)	
	159 (4045)	111.6 (2835)	186.8 (4745)	207.3 (5264)	4.9 (125)	4.9 (125)	4.5	8	7000 (3175)	5180 (2350)	
	179 (4545)	121.5 (3085)	206.5 (5245)	226.9 (5764)	4.9 (125)	4.9 (125)	4.5	8	7000 (3175)	5180 (2350)	
Full Free-Lift 2-Stage (FV)	120 (3045)	83.7 (2125)	145.9 (3705)	166.3 (4224)	54.9 (1395)	36 (915)	4.5	8	7000 (3175)	5180 (2350)	
	132 (3345)	88.8 (2255)	159.3 (4045)	179.7 (4564)	59.6 (1515)	40.7 (1035)	4.5	8	7000 (3175)	5180 (2350)	
	147.5 (3745)	101.8 (2585)	175 (4445)	131.3 (3334)	72.6 (1845)	53.7 (1365)	4.5	8	7000 (3175)	5180 (2350)	
	159 (4045)	111.6 (2835)	186.8 (4745)	207.3 (5264)	72.6 (1845)	53.7 (1365)	4.5	8	7000 (3175)	5180 (2350)	
Full Free-Lift 2-Stage, 4-Cylinder (FW)	118 (3005)	86 (2185)	145.9 (3705)	166.3 (4224)	59.4 (1510)	38 (965)	4.5	8	7000 (3175)	5180 (2350)	
	132 (3345)	92.7 (2355)	159.3 (4045)	179.7 (4564)	66.9 (1700)	44.7 (1135)	4.5	8	7000 (3175)	5180 (2350)	
	147.5 (3745)	100.6 (2555)	175 (4445)	131.3 (3334)	74.8 (1900)	52.6 (1335)	4.5	8	7000 (3175)	5180 (2350)	
	159 (4045)	108.5 (2755)	186.8 (4745)	207.3 (5264)	80.3 (2040)	60.4 (1535)	4.5	8	7000 (3175)	5180 (2350)	
Full Free-Lift 3-Stage (FSV)	171 (4345)	87.2 (2215)	198.6 (5045)	219.1 (5564)	60.2 (1530)	40.9 (1040)	4.5	8	6834 (3100)	5400 (2449)	
	187 (4745)	94.3 (2395)	214.4 (5445)	234.8 (5964)	67.3 (1710)	48 (1220)	4.5	8	6834 (3100)	5400 (2449)	
	198.5 (5045)	101.8 (2585)	246.6 (5745)	246.6 (6264)	74.8 (1900)	55.5 (1410)	4.5	8	6768 (3070)	5400 (2449)	
	218 (5545)	111.6 (2835)	245.9 (6245)	266.3 (6764)	84.6 (2150)	65.4 (1660)	4.5	8	6504 (2950)	5400 (2449)	
	238 (6045)	121.5 (3085)	265.6 (6745)	286 (7264)	94.5 (2400)	75.2 (1910)	4.5	8	5578 (2530)	4696 (2130)	
	258 (6545)	131.3 (3335)	285.2 (7245)	305.7 (7764)	104.3 (2650)	85 (2160)	4.5	8	4497 (2040)	3792 (1720)	
Full Free-Lift 3-Stage, 4-Cylinder (FSW)	173 (4395)	86 (2185)	200.6 (5095)	221 (5614)	60.2 (1530)	38 (965)	4.5	8	6834 (3100)	5400 (2449)	
	187 (4745)	90.7 (2305)	214.4 (5445)	234.8 (5964)	65 (1650)	42.7 (1085)	4.5	8	6834 (3100)	5400 (2449)	
	198.5 (5045)	94.7 (2405)	246.6 (5745)	246.6 (6264)	68.9 (1750)	46.6 (1185)	4.5	8	6768 (3070)	5400 (2449)	
	218 (5545)	102.6 (2605)	245.9 (6245)	266.3 (6764)	76.8 (1950)	54.5 (1385)	4.5	8	6504 (2950)	5400 (2449)	
	238 (6045)	108.5 (2755)	265.6 (6745)	286 (7264)	82.7 (2100)	60.4 (1535)	4.5	8	5578 (2530)	4696 (2130)	
	258 (6545)	116.3 (2955)	285.2 (7245)	305.7 (7764)	90.6 (2300)	68.3 (1735)	4.5	8	4497 (2040)	3792 (1720)	

¹ Height of standard load backrest is 48" (1220 mm).
 *All capacities of 1500 lbs. or less are subject to a secondary review and could be denied by Toyota.



TOYOTA

50

TARE 370 KG

TARE 370 KG

TARE 370 KG

TARE 370 KG

TARE 370 KG

TARE 370 KG

TARE 370 KG

Some product features described herein are optional. Please consult your dealer for specifications.
Details of specifications and equipment are based on information available at time of printing and may change without notice.



INDUSTRIAL EQUIPMENT

REACH NEW HEIGHTS

00722FBMKTSS

©2016 Toyota Material Handling, U.S.A., Inc.