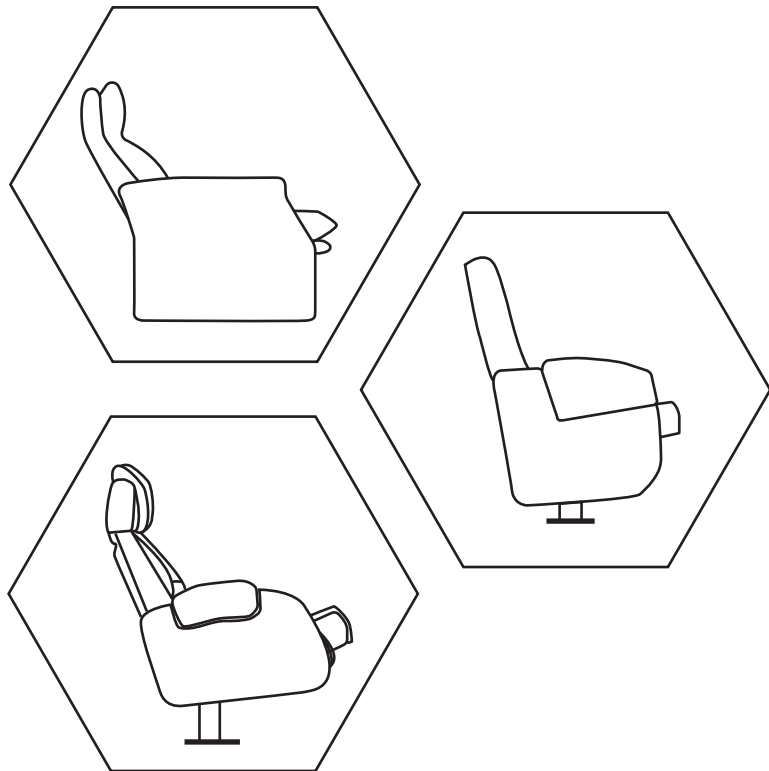


# CINEMA SERIES

---



REDEFINING  
THE ART OF  
**SEATING**



## ABOUT US

Seating Spectrum Sdn Bhd was incorporated in 2011 and supported by an experienced team led by its founder who with more than 20 years of experience in the public seating industry. We offer a wide range of seating for cinemas, theatres, lecture theatres multipurpose halls, and sport venues. We customize our seat in design and finishes to meet our customers' requirements, especially in comfort, aesthetics, durability, and cost aspects.

Seating Spectrum seats are produced in Malaysia with stringent quality control in production with the assurance of quality in our materials by our valued supply partners. As a dynamic company, our R&D team is continuously improving our range of seats in design, easier installation, maintenance, and adaptability to different venues. Our qualified personnel are committed to our after-sales service with timely response and required rectification for any after-sales matter.



## Our Craftmanship

At Seating Spectrum, we strive to achieve the highest standard of quality in our product. We emphasize the quality, flexibility, and value of our product throughout the development process. We are always thinking of you and your needs every step of the way.

We manufacture premium quality seats that are made with durable materials and fabric to withstand heavy usage for up to thousand of hours. The fabric used have been rigorously tested against scuffing, rubbing, moisture absorption, and granular dirt seeping over time.

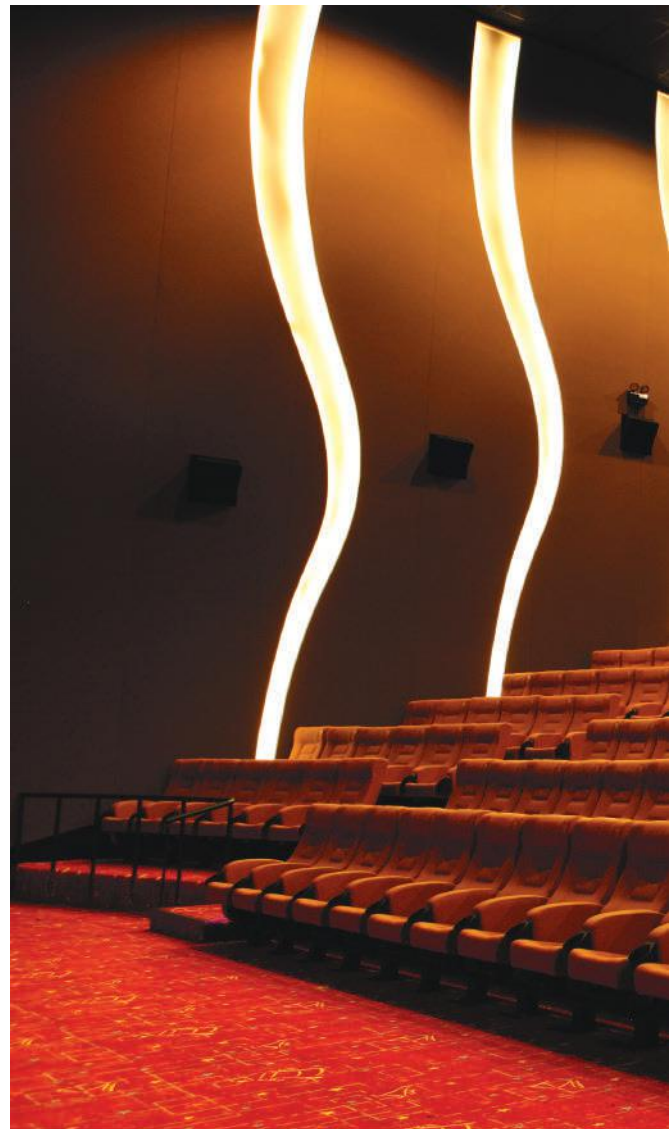


## **OUR VISSION**

Our Vision is to be a premier manufacturer of top quality products. We dedicate ourselves to be the supplier of choice in the public seating industry. Seating Spectrum will strive to maintain the image it has developed over the many years with its suppliers, employees, and community as a company of excellence.

## **OUR MISSION**

Our Mission is to create value of our customer through reliability, flexibility, integrity, and speed. It is our goal to ensure continuous self-improvement, growth in our operations and employees; while maintaining profitability to the benefit of our customers and community.





# RESEARCH AND SUSTAINABILITY

Seating Spectrum conducts on research and development in the design and durability, by including the material use, the system that builds up for seat which is long lasting usage and simply to reuse the system structure back.

Our Design empahsise in aesthetic and durability content. Fitly to assemble different models and seat wide based on request.





---

## FIRE RESISTANCE

We have done multiple test to ensure that our product meet and surpass of resistance against the ignitability of seating.

100 %  
Resistance to  
Flaming Ignition

100 %  
Resistance to  
Smouldering Ignition

**Accreditation :**



---

## LOAD RESISTANCE

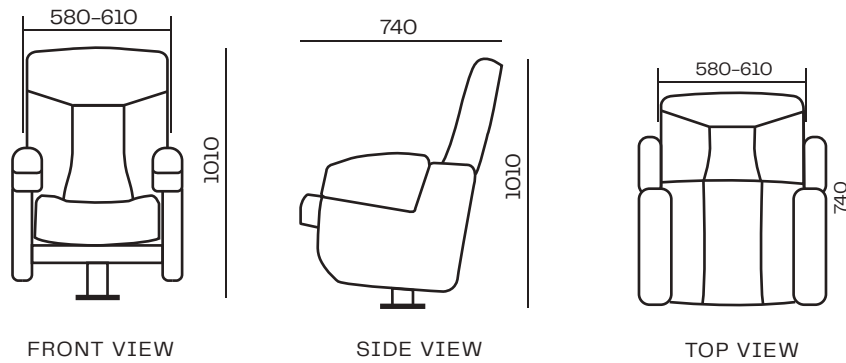
We extensively test our product against wear and premature failure to meet the discerning needs of our client. These test includes:

- ✔ Seat Static Load Test
- ✔ Back Static Load Test
- ✔ Seat Front Edge Static Load Test
- ✔ Horizontal Forward Static Load Test
- ✔ Arm Rest Sideway Static Load Test
- ✔ Arm Rest Downwards Static Load Test

# OLYMPUS



## DIMENSIONS



\*Centre to centre and dimensions can be changed according to layout/required measurements

## AVAILABLE IN:

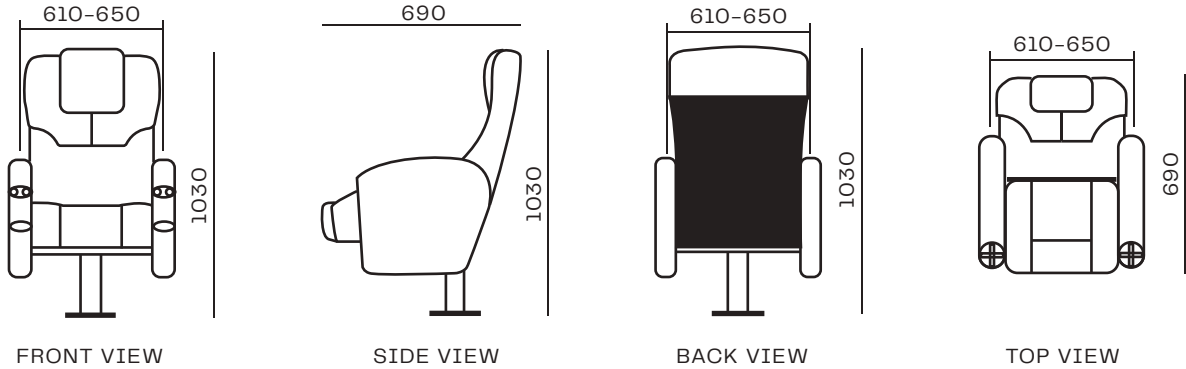
FIXED SEATPAN	●
TIP UP SEATPAN   silent counterweight tip up seatpan	○
FIXED BACKREST	●
SLIDER MECHANISM   Center sharf absorber for a noiseless manual recline	●
ROCKER MECHANISM   multi swinging effect for ultimate comfort	●
ZERO MOTOR RECLINER   operates backrest and footrests simultaneously	○
DUAL MOTOR RECLINER   operates backrest and footrests separately	○

- AVAILABLE
- N/A

# OPTIMUS PLUS



**DIMENSIONS**



\*Centre to centre and dimensions can be changed according to layout/required measurements

**AVAILABLE IN:**

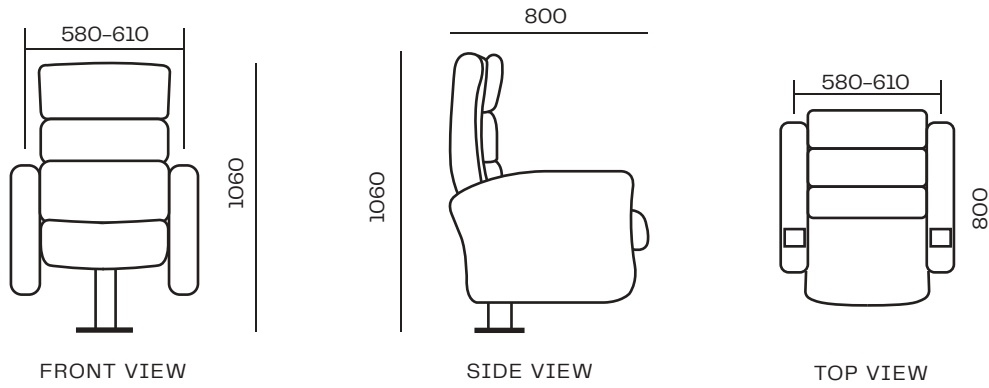
FIXED SEATPAN	●
TIP UP SEATPAN   silent counterweight tip up seatpan	○
FIXED BACKREST	●
SLIDER MECHANISM   Center sharf absorber for a noiseless manual recline	●
ROCKER MECHANISM   multi swinging effect for ultimate comfort	●
ZERO MOTOR RECLINER   operates backrest and footrests simultaneously	○
DUAL MOTOR RECLINER   operates backrest and footrests separately	○

- AVAILABLE
- N/A

# ENZO



## DIMENSIONS



\*Centre to centre and dimensions can be changed according to layout/required measurements

## AVAILABLE IN:

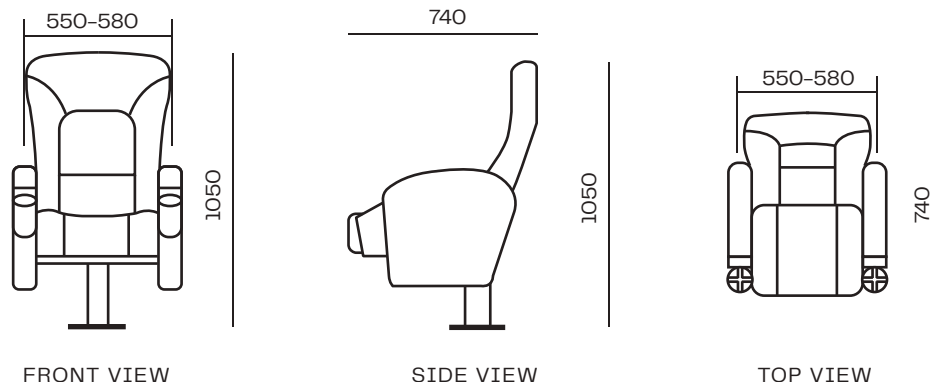
FIXED SEATPAN	●
TIP UP SEATPAN   silent counterweight tip up seatpan	○
FIXED BACKREST	●
SLIDER MECHANISM   Center sharf absorber for a noiseless manual recline	●
ROCKER MECHANISM   multi swinging effect for ultimate comfort	●
ZERO MOTOR RECLINER   operates backrest and footrests simultaneously	○
DUAL MOTOR RECLINER   operates backrest and footrests separately	○

- AVAILABLE
- N/A

# PRESTIGE



## DIMENSIONS



FRONT VIEW

SIDE VIEW

TOP VIEW

\*Centre to centre and dimensions can be changed according to layout/required measurements

## AVAILABLE IN:

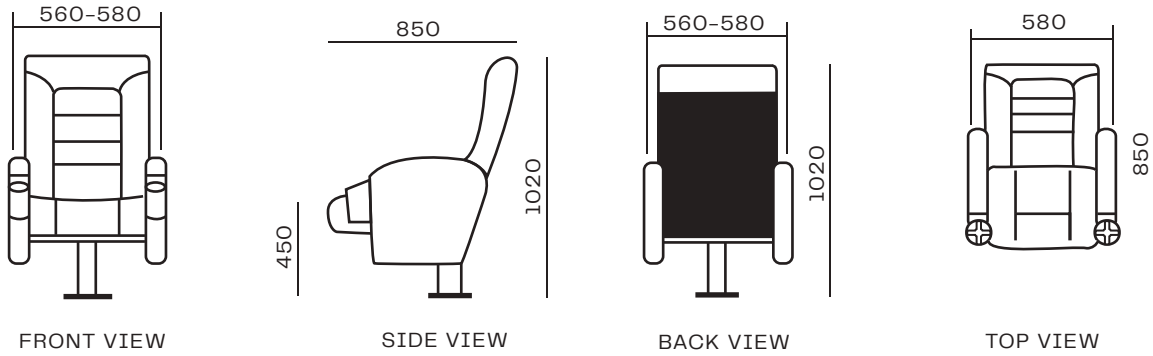
FIXED SEATPAN	●
TIP UP SEATPAN   silent counterweight tip up seatpan	●
FIXED BACKREST	●
SLIDER MECHANISM   Center sharf absorber for a noiseless manual recline	○
ROCKER MECHANISM   multi swinging effect for ultimate comfort	●
ZERO MOTOR RECLINER   operates backrest and footrests simultaneously	○
DUAL MOTOR RECLINER   operates backrest and footrests separately	○

- AVAILABLE
- N/A

# GRANDEUR



**DIMENSIONS**



\*Centre to centre and dimensions can be changed according to layout/required measurements

**AVAILABLE IN:**

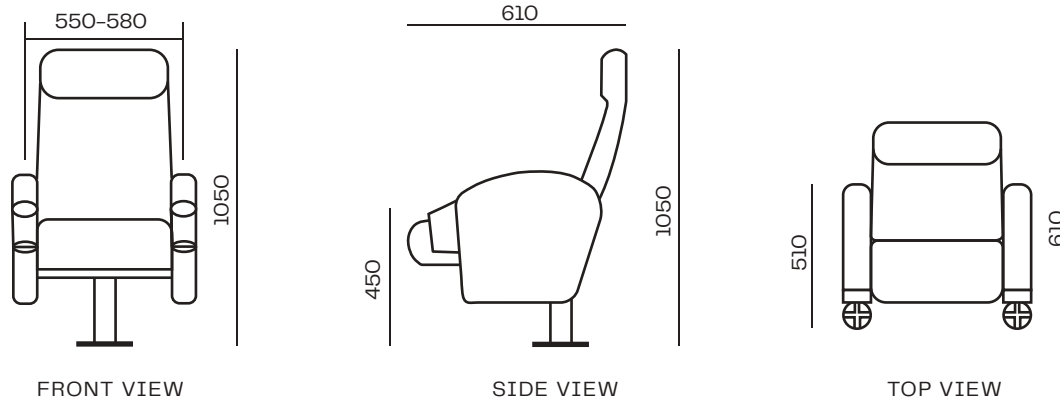
FIXED SEATPAN	●
TIP UP SEATPAN   silent counterweight tip up seatpan	●
FIXED BACKREST	●
SLIDER MECHANISM   Center sharf absorber for a noiseless manual recline	○
ROCKER MECHANISM   multi swinging effect for ultimate comfort	●
ZERO MOTOR RECLINER   operates backrest and footrests simultaneously	○
DUAL MOTOR RECLINER   operates backrest and footrests separately	○

- AVAILABLE
- N/A

# CORUM



## DIMENSIONS



FRONT VIEW

SIDE VIEW

TOP VIEW

\*Centre to centre and dimensions can be changed according to layout/required measurements

## AVAILABLE IN:

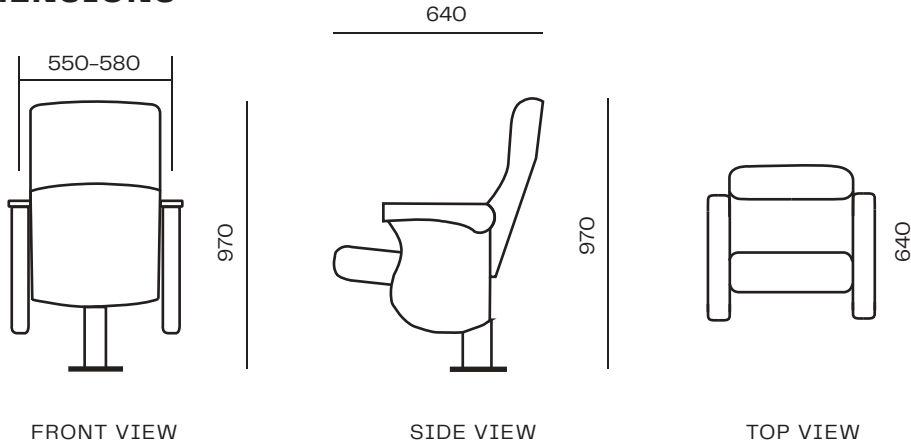
FIXED SEATPAN	●
TIP UP SEATPAN   silent counterweight tip up seatpan	●
FIXED BACKREST	●
SLIDER MECHANISM   Center shaft absorber for a noiseless manual recline	○
ROCKER MECHANISM   multi swinging effect for ultimate comfort	●
ZERO MOTOR RECLINER   operates backrest and footrests simultaneously	○
DUAL MOTOR RECLINER   operates backrest and footrests separately	○

- AVAILABLE
- N/A

# CASA



**DIMENSIONS**



\*Centre to centre and dimensions can be changed according to layout/required measurements

**AVAILABLE IN:**

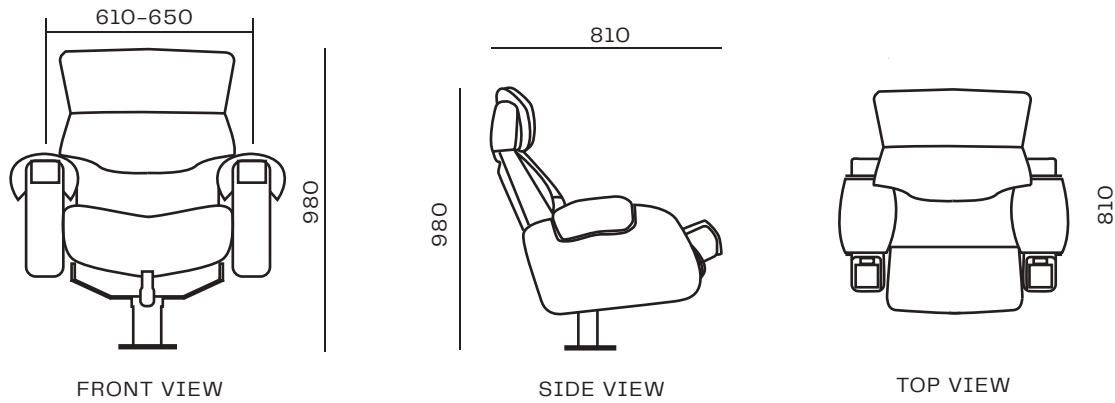
FIXED SEATPAN	●
TIP UP SEATPAN   silent counterweight tip up seatpan	●
FIXED BACKREST	●
SLIDER MECHANISM   Center sharf absorber for a noiseless manual recline	○
ROCKER MECHANISM   multi swinging effect for ultimate comfort	●
ZERO MOTOR RECLINER   operates backrest and footrests simultaneously	○
DUAL MOTOR RECLINER   operates backrest and footrests separately	○

- AVAILABLE
- N/A

# COZY



**DIMENSIONS**



\*Centre to centre and dimensions can be changed according to layout/required measurements

**AVAILABLE IN:**

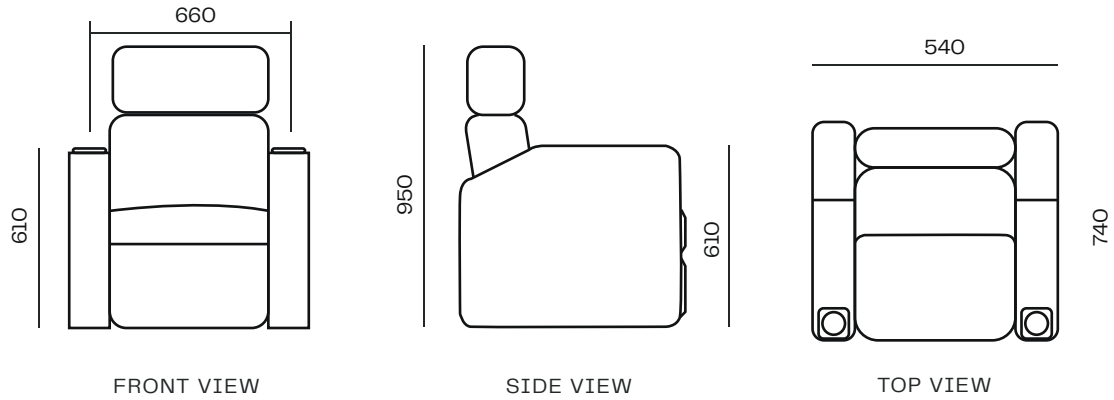
FIXED SEATPAN	●
TIP UP SEATPAN   silent counterweight tip up seatpan	○
FIXED BACKREST	●
SLIDER MECHANISM   Center sharf absorber for a noiseless manual recline	●
ROCKER MECHANISM   multi swinging effect for ultimate comfort	●
ZERO MOTOR RECLINER   operates backrest and footrests simultaneously	○
DUAL MOTOR RECLINER   operates backrest and footrests separately	○

- AVAILABLE
- N/A

# CUBO



**DIMENSIONS**



**AVAILABLE IN:**

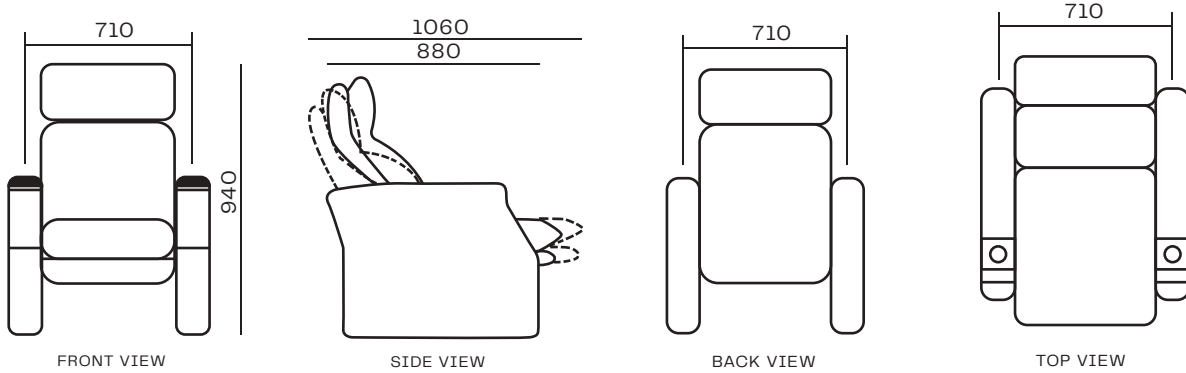
FIXED SEATPAN	●
TIP UP SEATPAN   silent counterweight tip up seatpan	○
FIXED BACKREST	○
SLIDER MECHANISM   Center sharf absorber for a noiseless manual recline	●
ROCKER MECHANISM   multi swinging effect for ultimate comfort	○
ZERO MOTOR RECLINER   operates backrest and footrests simultaneously	○
DUAL MOTOR RECLINER   operates backrest and footrests separately	○

- AVAILABLE
- N/A

# SIESTA SLIDER



**DIMENSIONS**



\*Centre to centre and dimensions can be changed according to layout/required measurements

**AVAILABLE IN:**

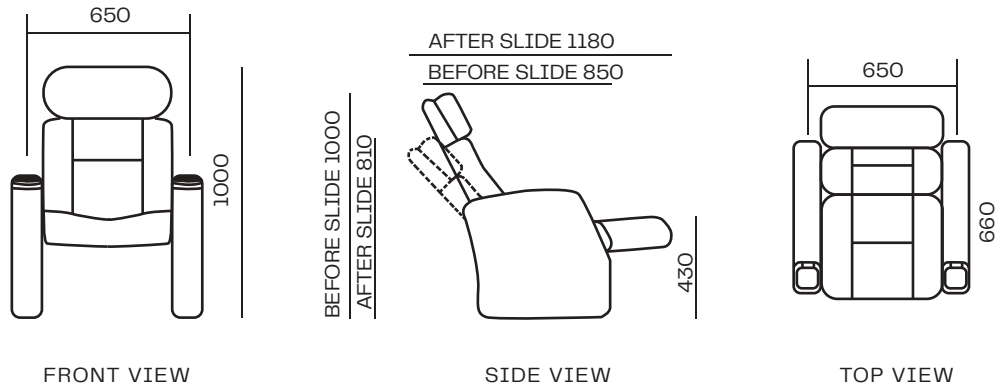
FIXED SEATPAN	●
TIP UP SEATPAN   silent counterweight tip up seatpan	○
FIXED BACKREST	○
SLIDER MECHANISM   Center sharp absorber for a noiseless manual recline	●
ROCKER MECHANISM   multi swinging effect for ultimate comfort	○
ZERO MOTOR RECLINER   operates backrest and footrests simultaneously	○
DUAL MOTOR RECLINER   operates backrest and footrests separately	○

- AVAILABLE
- N/A

# MATRIX DUAL ACTION SLIDER



**DIMENSIONS**



\*Centre to centre and dimensions can be changed according to layout/required measurements

**AVAILABLE IN:**

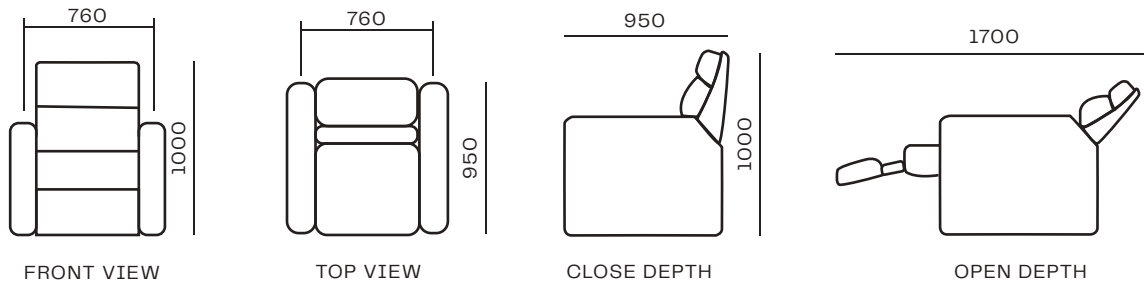
FIXED SEATPAN	●
TIP UP SEATPAN   silent counterweight tip up seatpan	○
FIXED BACKREST	○
SLIDER MECHANISM   Center sharp absorber for a noiseless manual recline	●
ROCKER MECHANISM   multi swinging effect for ultimate comfort	○
ZERO MOTOR RECLINER   operates backrest and footrests simultaneously	○
DUAL MOTOR RECLINER   operates backrest and footrests separately	○

- AVAILABLE
- N/A

# GRANADA



## DIMENSIONS



\*Centre to centre and dimensions can be changed according to layout/required measurements

## AVAILABLE IN:

FIXED SEATPAN	●
TIP UP SEATPAN   silent counterweight tip up seatpan	○
FIXED BACKREST	●
SLIDER MECHANISM   Center sharp absorber for a noiseless manual recline	●
ROCKER MECHANISM   multi swinging effect for ultimate comfort	○
ZERO MOTOR RECLINER   operates backrest and footrests simultaneously	●
DUAL MOTOR RECLINER   operates backrest and footrests separately	●

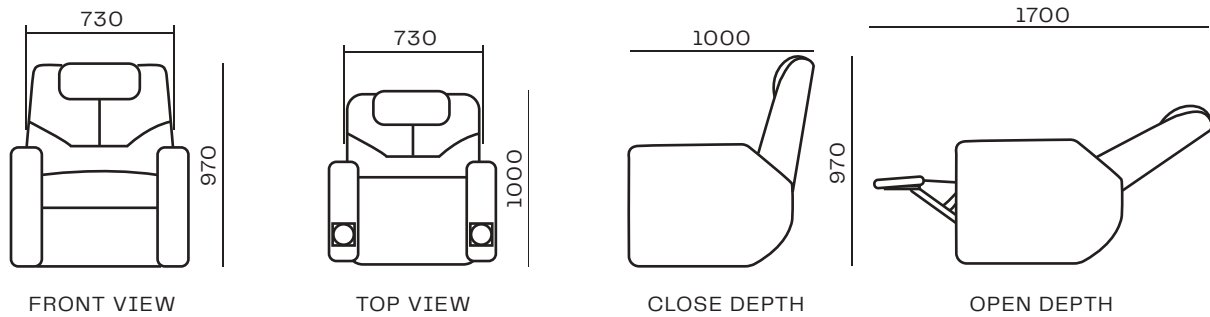
- AVAILABLE
- N/A



# VALENCIA



## DIMENSIONS



\*Centre to centre and dimensions can be changed according to layout/required measurements

## AVAILABLE IN:

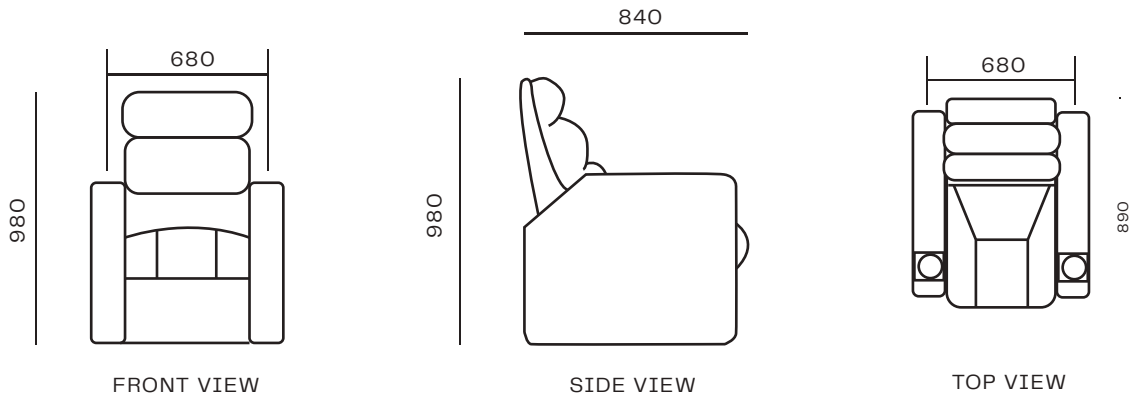
FIXED SEATPAN	●
TIP UP SEATPAN   silent counterweight tip up seatpan	○
FIXED BACKREST	●
SLIDER MECHANISM   Center shaft absorber for a noiseless manual recline	○
ROCKER MECHANISM   multi swinging effect for ultimate comfort	○
ZERO MOTOR RECLINER   operates backrest and footrests simultaneously	○
DUAL MOTOR RECLINER   operates backrest and footrests separately	●

- AVAILABLE
- N/A

# SEVILLA



**DIMENSIONS**



\*Centre to centre and dimensions can be changed according to layout/required measurements

**AVAILABLE IN:**

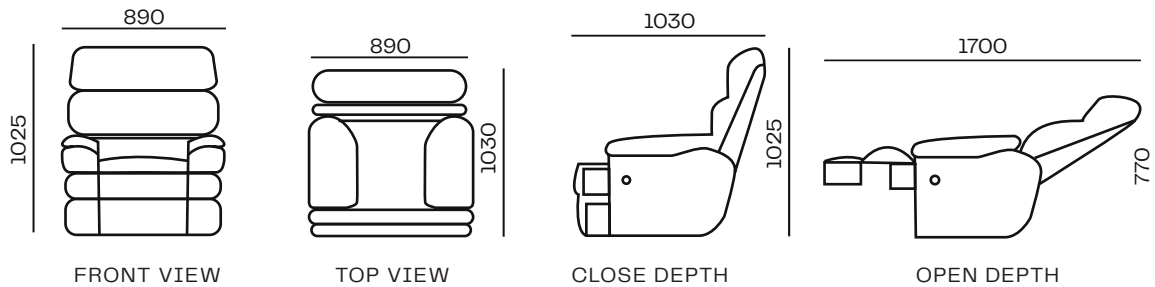
FIXED SEATPAN	●
TIP UP SEATPAN   silent counterweight tip up seatpan	○
FIXED BACKREST	●
SLIDER MECHANISM   Center sharp absorber for a noiseless manual recline	○
ROCKER MECHANISM   multi swinging effect for ultimate comfort	○
ZERO MOTOR RECLINER   operates backrest and footrests simultaneously	●
DUAL MOTOR RECLINER   operates backrest and footrests separately	●

- AVAILABLE
- N/A

# BARCELONA



## DIMENSIONS



\*Centre to centre and dimensions can be changed according to layout/required measurements

## AVAILABLE IN:

FIXED SEATPAN	<input type="radio"/>
TIP UP SEATPAN   silent counterweight tip up seatpan	<input type="radio"/>
FIXED BACKREST	<input type="radio"/>
SLIDER MECHANISM   Center sharf absorber for a noiseless manual recline	<input type="radio"/>
ROCKER MECHANISM   multi swinging effect for ultimate comfort	<input type="radio"/>
ZERO MOTOR RECLINER   operates backrest and footrests simultaneously	<input checked="" type="radio"/>
DUAL MOTOR RECLINER   operates backrest and footrests separately	<input type="radio"/>

- AVAILABLE
- N/A

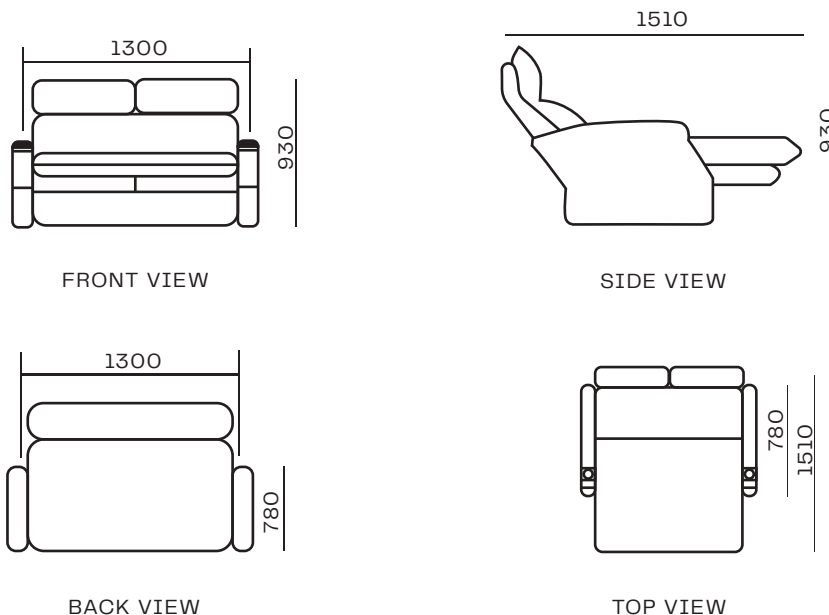
## SIESTA LOUNGER



## SIESTA LOUNGER



## DIMENSIONS



\*Centre to centre and dimensions can be changed according to layout/required measurements

### AVAILABLE IN:

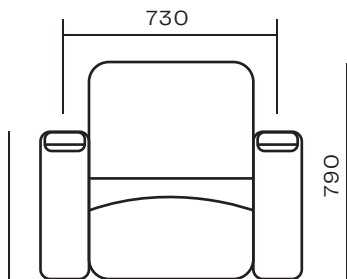
FIXED SEATPAN	●
TIP UP SEATPAN   silent counterweight tip up seatpan	○
FIXED BACKREST	●
SLIDER MECHANISM   Center shaft absorber for a noiseless manual recline	○
ROCKER MECHANISM   multi swinging effect for ultimate comfort	○
ZERO MOTOR RECLINER   operates backrest and footrests simultaneously	○
DUAL MOTOR RECLINER   operates backrest and footrests separately	○

- AVAILABLE
- N/A

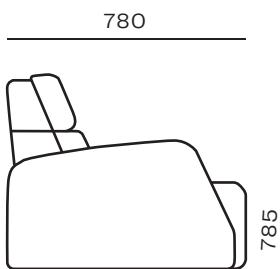
# TROLLS



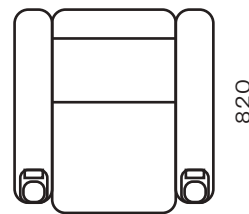
**DIMENSIONS**



FRONT VIEW



SIDE VIEW



TOP VIEW

\*Centre to centre and dimensions can be changed according to layout/required measurements

**AVAILABLE IN:**

FIXED SEATPAN



FIXED BACKREST



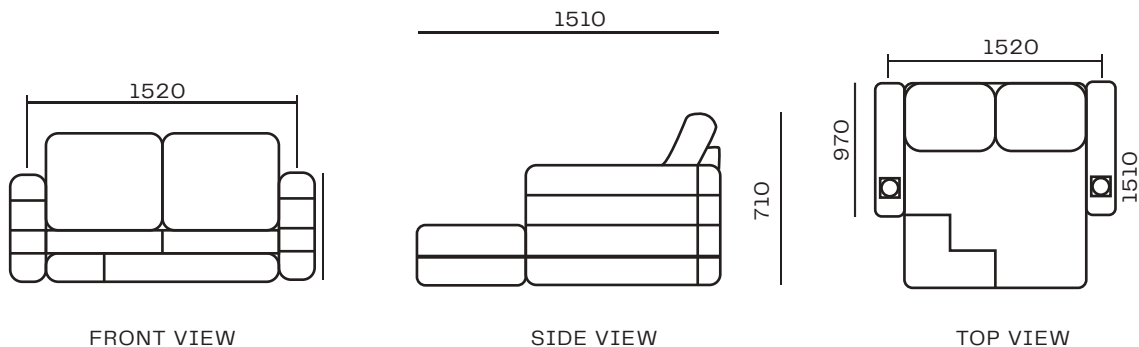
- AVAILABLE
- N/A



# TETRIS



**DIMENSIONS**



\*Centre to centre and dimensions can be changed according to layout/required measurements

**AVAILABLE IN:**

FIXED SEATPAN ●

FIXED BACKREST ●

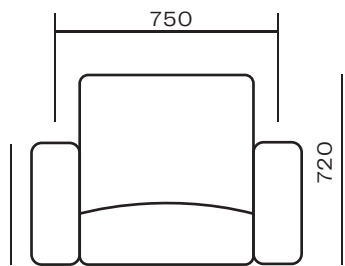
- AVAILABLE
- N/A



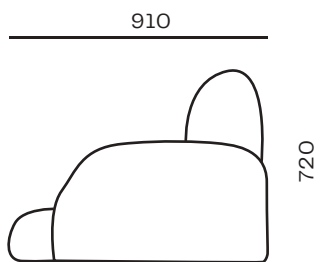
# KIDSLAND



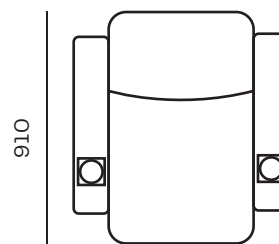
**DIMENSIONS**



FRONT VIEW



SIDE VIEW



TOP VIEW

\*Centre to centre and dimensions can be changed according to layout/required measurements

**AVAILABLE IN:**

FIXED SEATPAN



FIXED BACKREST



- AVAILABLE
- N/A



---

# COUNTRIES

---

Phillipines

Singapore

Malaysia

Taiwan

Hong Kong

Vietnam

Cambodia

Myanmmar

Thailand

India

Somailia

Oman

United Arab Emirates

Qatar

Bahrain

Kuwait

New Zealand



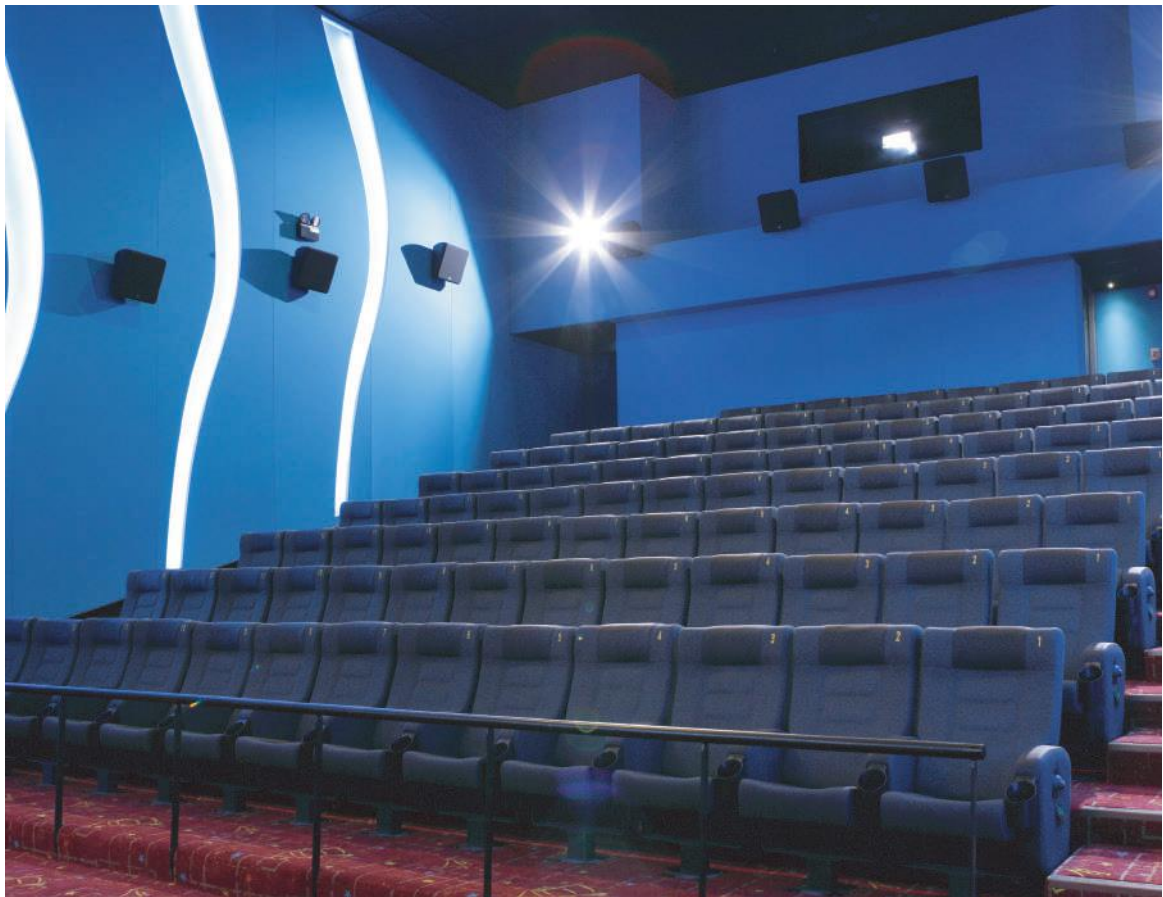
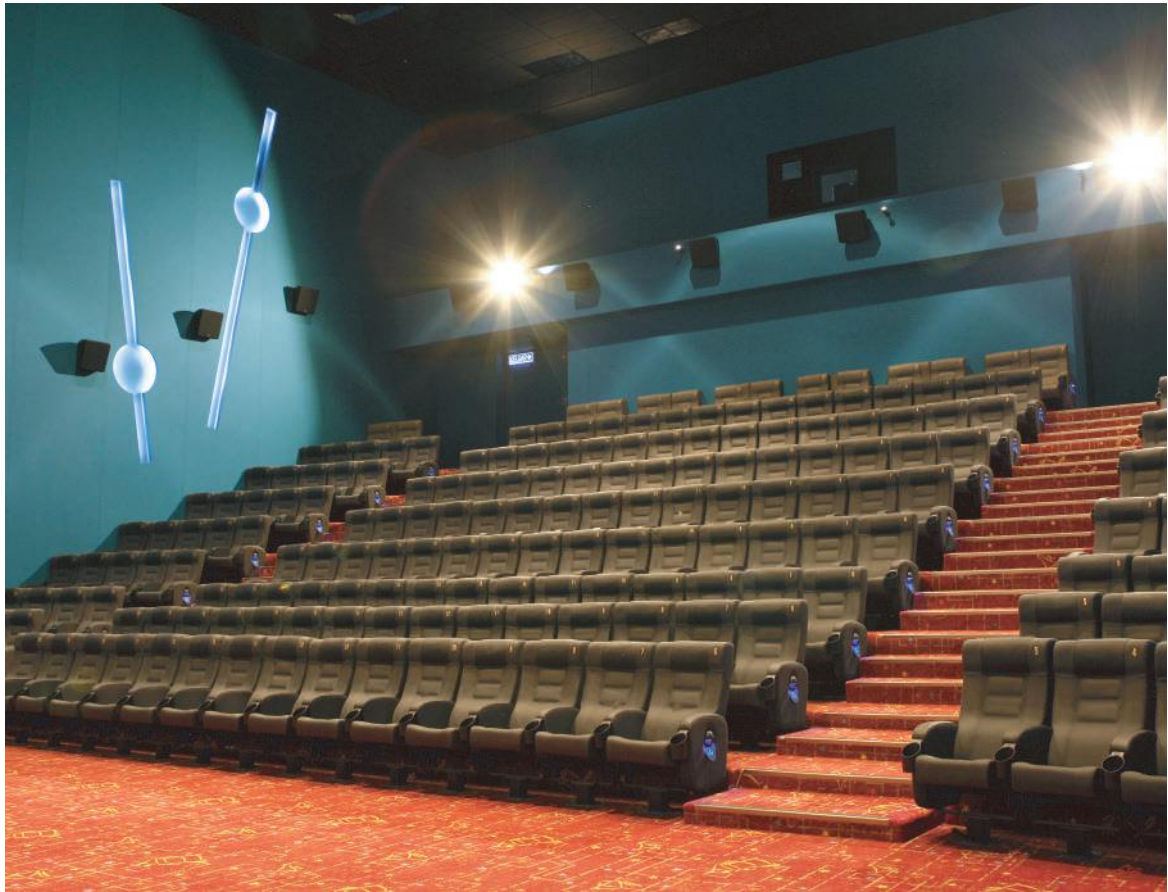
---

# WORLDWIDE PROJECTS

---

















**SEATING SPECTRUM SDN BHD**

Lot 8028, Jalan 4D,  
Bukit Cherakah, Kg. Baru Subang.  
40150, Shah Alam, Selangor,  
Malaysia

T: +603 7832 0998

[www.seatingspectrum.com](http://www.seatingspectrum.com)

[info@seatingspectrum.com](mailto:info@seatingspectrum.com)