



# TUBULAR SERVICES

 868-648-0827/9



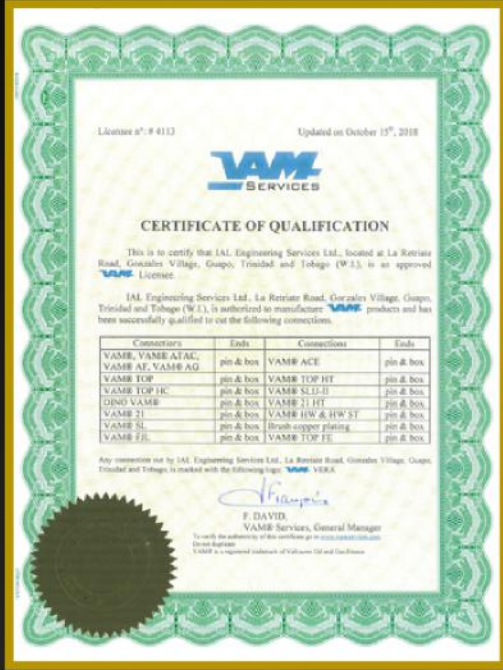
[www.ialengineering.com](http://www.ialengineering.com)



[ial@ial-int.com](mailto:ial@ial-int.com)



# LICENSING TECHNOLOGY



# EXPORTS



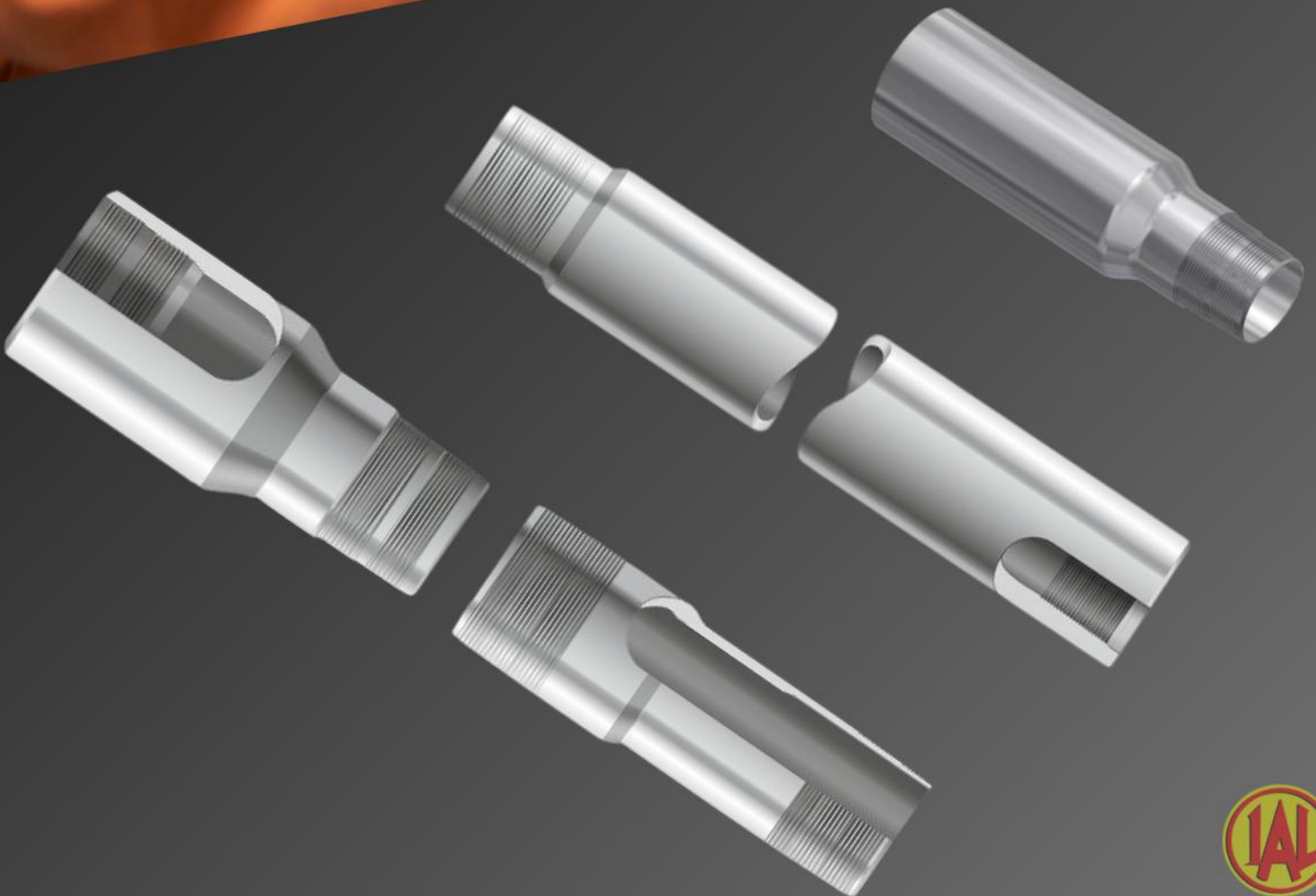
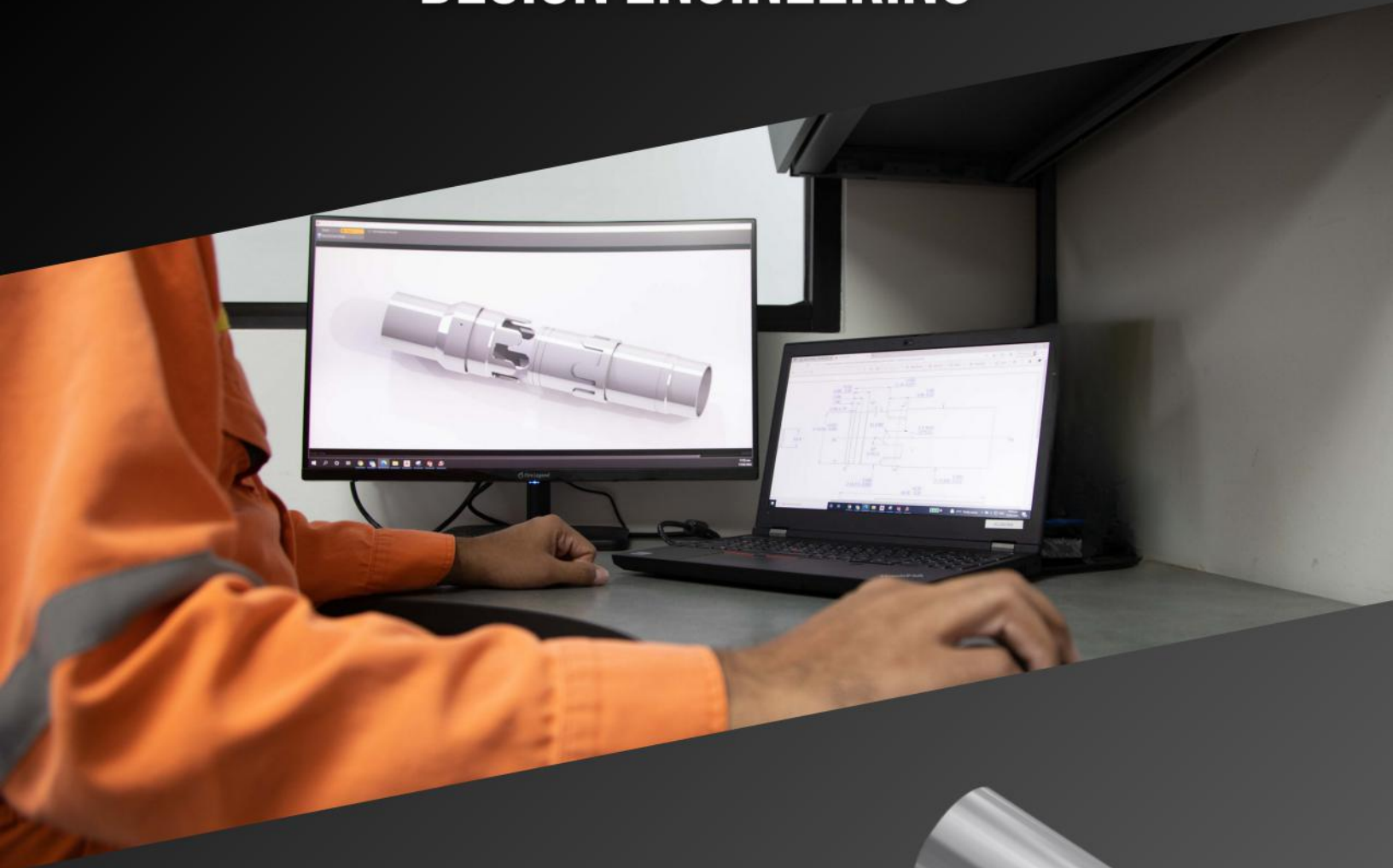
We have exported our products Internationally to over 50 countries Worldwide.

- Algeria
- Angola
- Argentina
- Australia
- Azerbaijan
- Bolivia
- Brazil
- Cameroon
- Canada
- Chile
- China
- Colombia
- Congo
- Cote d'Ivoire
- Denmark
- Ecuador
- Egypt
- Equatorial Guinea
- France
- Gabon
- Ghana
- Guyana
- Holland
- India
- Indonesia
- Iraq
- Italy
- Japan
- Kazakhstan
- Kuwait
- Libya
- Malaysia
- Malta
- Mexico
- Mozambique
- Nigeria
- Norway
- Oman
- Peru
- Poland
- Qatar
- Romania
- Saudi Arabia
- Senegal
- South Africa
- Sudan
- Suriname
- Sweden
- Tanzania
- Tunisia
- Turkey
- Uganda
- United Kingdom
- United Arab Emirates
- Uruguay
- United States of America
- Venezuela
- Vietnam





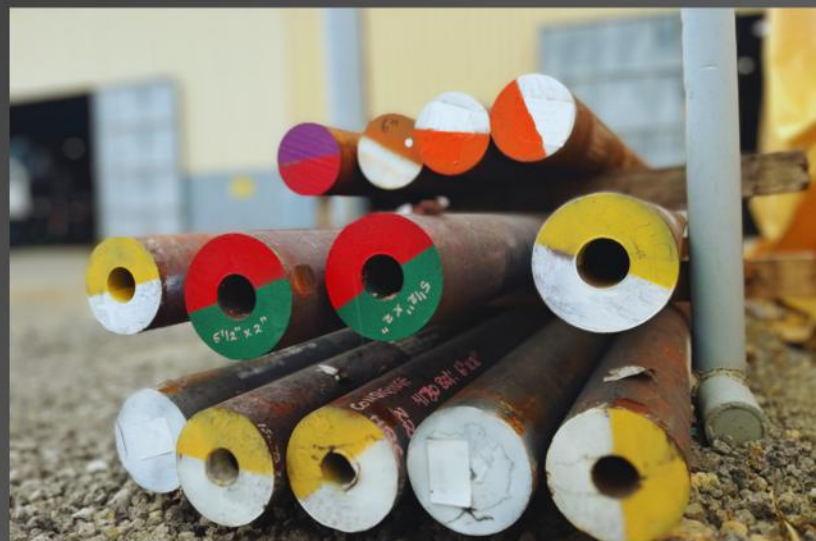
# DESIGN ENGINEERING





# RAW MATERIAL

EX-STOCK US\$ 2 Million



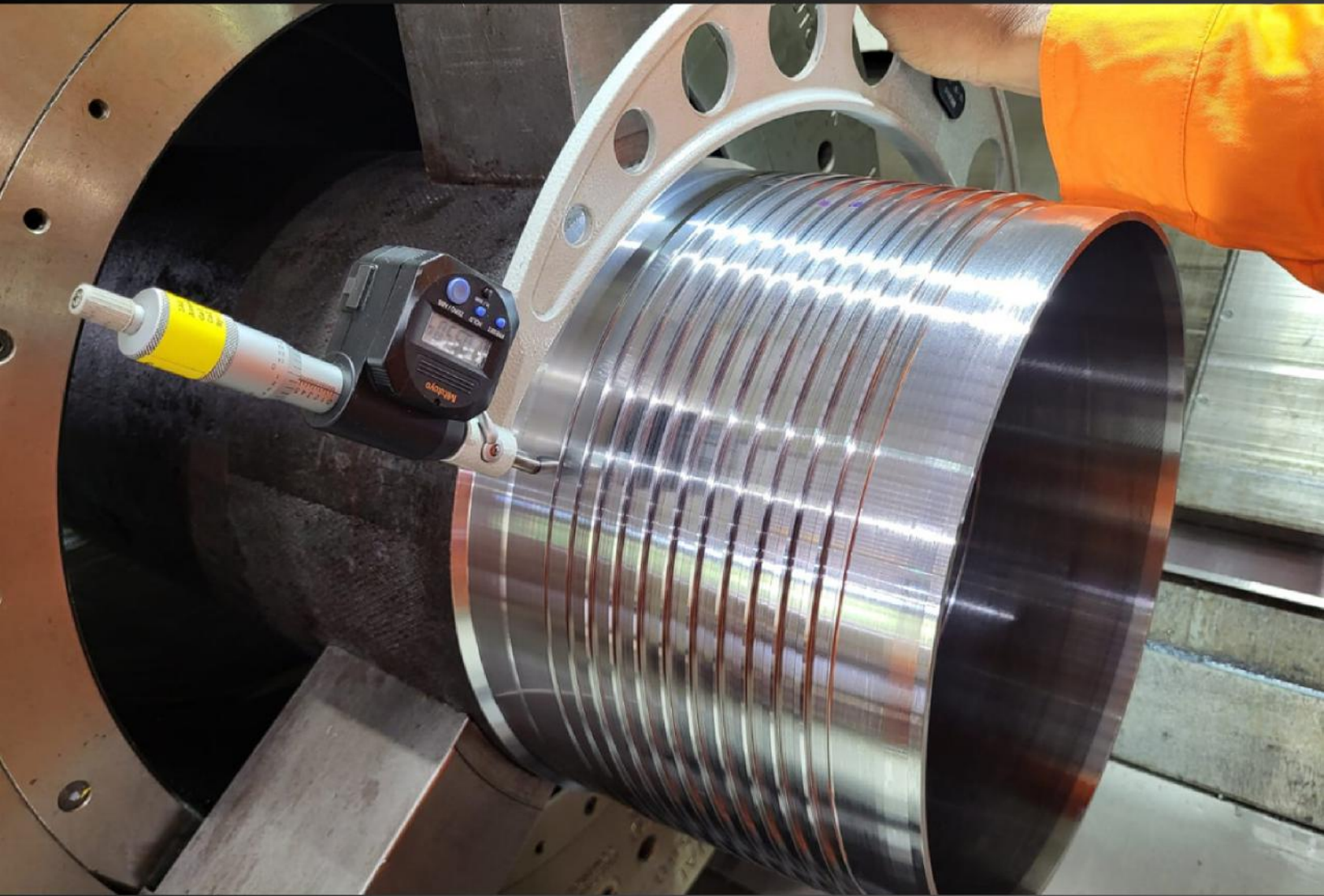


# MANUFACTURING





# QUALITY ASSURANCE & CONTROL



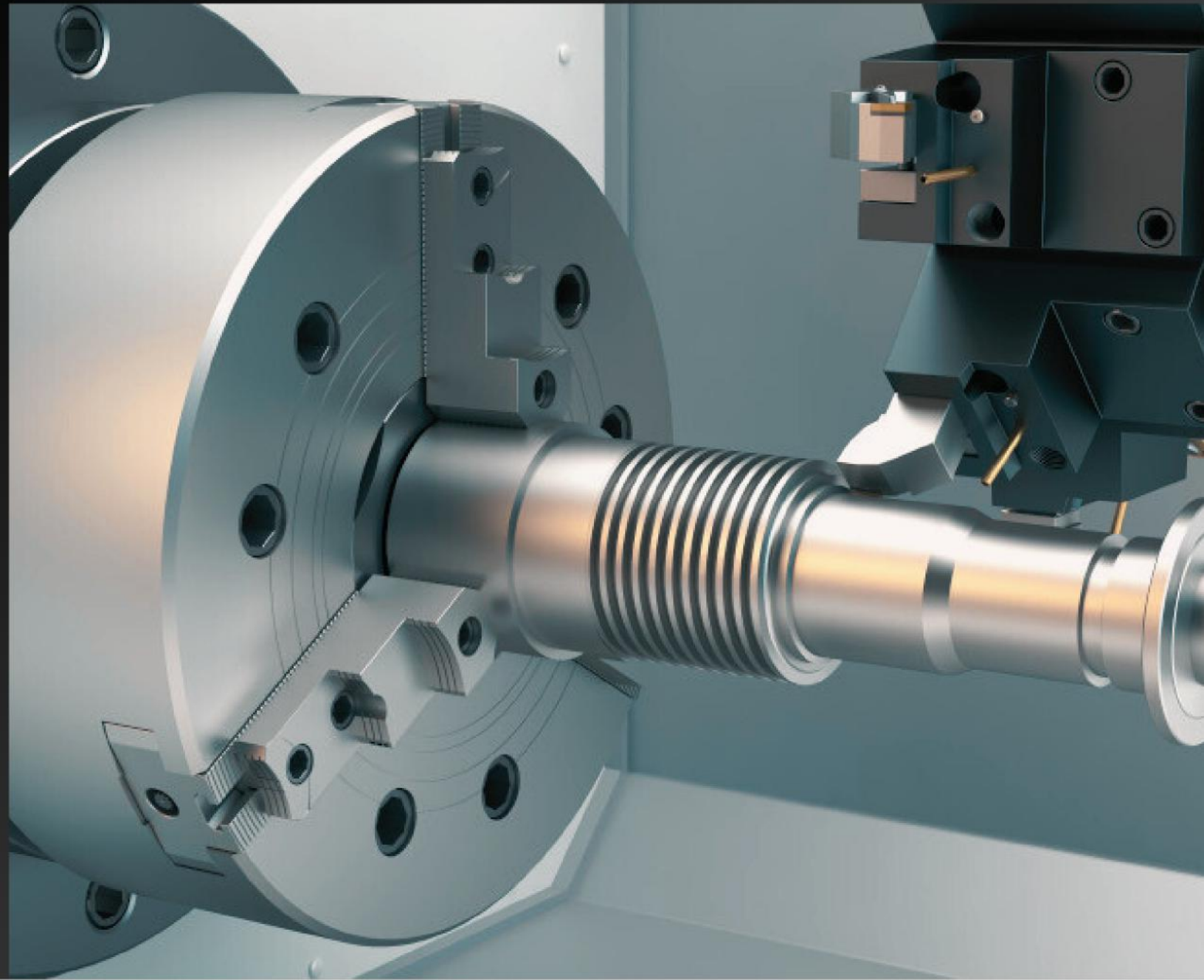


# HIGH PRECISION CNC MACHINES





# PREMIUM & API THREADING



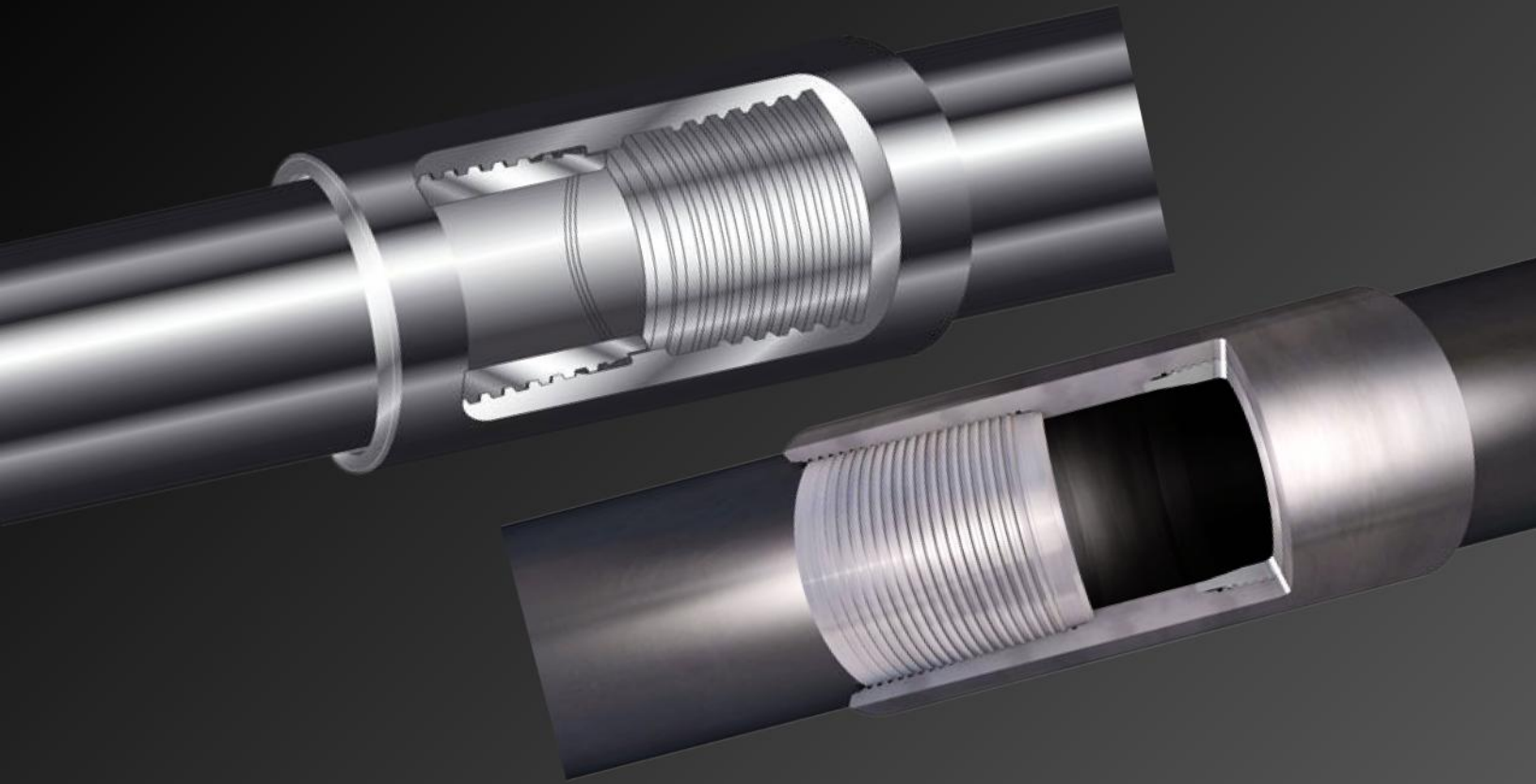
American  
Petroleum  
Institute





# VAM®

Qualified VAM® Licensed Provider, certified and able to provide Premium Threading Services.



## VAM® Premium Connections

DINO VAM®

VAM® VAM® ATAC VAM® AF VAM® AG

VAM® ACE

VAM TOP®

VAM TOP® HC

VAM TOP® HT

VAM TOP® FE

VAM® 21

VAM® 21 HT

VAM® FJL

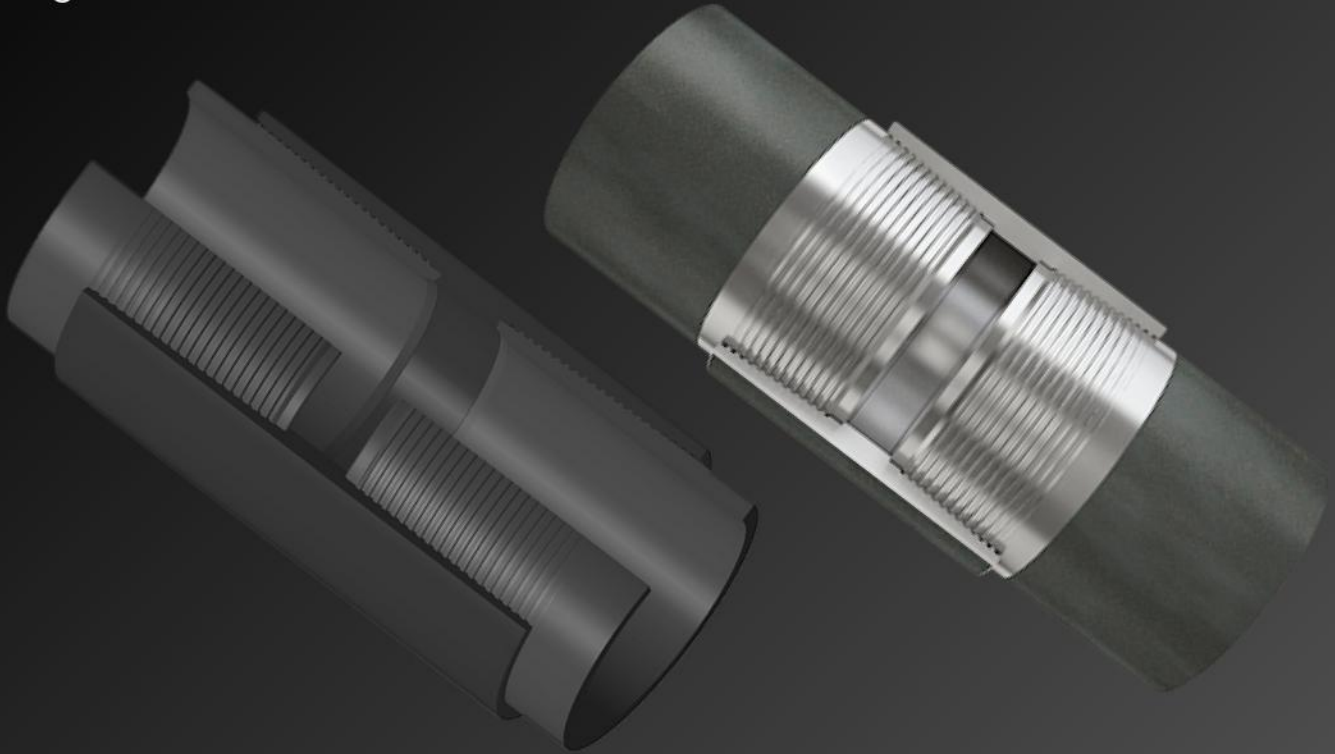
VAM® SLIJ-II





# TENARIS

Licensed and certified under the Tenaris Licensees Network to provide Premium Threading Services.



## Tenaris Premium Connections:

TenarisHydril Blue	TenarisHydril Wedge 511	TenarisHydril MAC II	TenarisHydril 3SB
TenarisHydril Blue LW	TenarisHydril Wedge 513	TenarisHydril Wedge EL	TenarisHydril 3SB SL
TenarisHydril Blue/A	TenarisHydril Wedge 521	TenarisHydril ER	TenarisHydril 3SB ST
TenarisHydril Blue A HS	TenarisHydril Wedge 523	TenarisHydril HW	TenarisHydril New 3SB
TenarisHydril Blue Max	TenarisHydril Wedge 531	TenarisHydril HWSL	TenarisHydril WT14S
TenarisHydril Blue Riser	TenarisHydril Wedge 533	TenarisHydril New HWSL	TenarisHydril WT23
TenarisHydril CS	TenarisHydril Wedge 551	TenarisHydril MS	TenarisHydril WT26
TenarisHydril PH4	TenarisHydril Wedge 553	TenarisHydril MS XT/XC	TenarisHydril WT31
TenarisHydril PH6	TenarisHydril Wedge 561	TenarisHydril MS28	TenarisHydril WT38
TenarisHydril SLX	TenarisHydril Wedge 563	TenarisHydril MS28 XT/XC	TenarisHydril WT39
TenarisHydril Wedge 501	TenarisHydril Wedge 623	TenarisHydril PJD	TenarisHydril WT40
TenarisHydril Wedge 503	TenarisHydril Wedge 625	TenarisHydril Bug Flush	TenarisHydril WT46
	TenarisHydril MAC	TenarisHydril XP Buttress	TenarisHydril WT50
		TenarisHydril XP Buttress LW	TenarisHydril WT54
		TenarisHydril XP Buttress PIN	TenarisHydril WT56
			TenarisHydril WT66



# NOV GRANT PRIDECO

Qualified NOV Licensed Provider, certified and able to provide Premium Threading Services.



## NOV Grant Prideco Premium Connections

XT™	Grant Prideco Express™ (VX™)	Delta™
XT™ BHA	Grant Prideco EIS™	SST™
XTF™ BHA	GPDS™	
HT™		



# API

We are American Petroleum Institute (API) certified in Casing Thread types, including Short Round Thread Casing (SC), Long Round Thread Casing (LC), Buttress Thread Casing (BC) and Rotary Shoulder (RSC).



## API Connections

API SPEC 7-2 (RSC)

REGULAR

NC

FULL HOLE (FH)

PAC

H-90

API SPEC 5B

SC

LC

BC

LP

EU

NU



American  
Petroleum  
Institute





# CROSSOVERS

We manufacture and supply Standard and Premium Crossover Subs as part of our Casing and Tubing Services. These short sub-assemblies are used to connect components of different sizes and threads that are essential when linking casings to other connections or to a Drill Pipe.

We carry crossovers ranging in sizes from 2 3/8 inches to 20 inches in various connection options. Custom sizes and connections are also available by special request.



# SUPPORT SERVICES

## TOTAL TUBULAR SOLUTIONS (TTS):

- Casing Running.
- Tubing Running.
- Remote Monitoring of Premium Connections.
- Field Inspection Service (VAM® & Tenaris) Tubing and Casing.
- Make up and Pressure Testing of Completion and Sub Assemblies.
- Crossover Testing.
- Bucking Services.
- Drill Pipe Inspection & Repair.
- Pipe Storage and Tubular Management.
- Hardband Repairs.
- Certified VAM® and Tenaris Field Inspectors available for Onshore and Offshore inspections.





# LET'S DISCUSS SOLUTIONS

Applications Specialist- Tubular Services

Ramon Solano

Phone: (868) 382-2069

Email: ramon@ial-int.com

Contact Details

Address: Southern Main Road, No.8 Road, Guapo, Trinidad.

Phone: (868) 648-0827/9

Email: ial@ial-int.com

Visit us [@www.ialengineering.com](http://www.ialengineering.com)



SCAN  
me! 



## INTEGRATED SOLUTIONS

- ✓ Valve Technology
- ✓ Wellhead Solutions
- ✓ Tubular Services
- ✓ Equipment Services
- ✓ Corrosion Solutions
- ✓ Fabric Maintenance
- ✓ Marine Services



American  
Petroleum  
Institute

