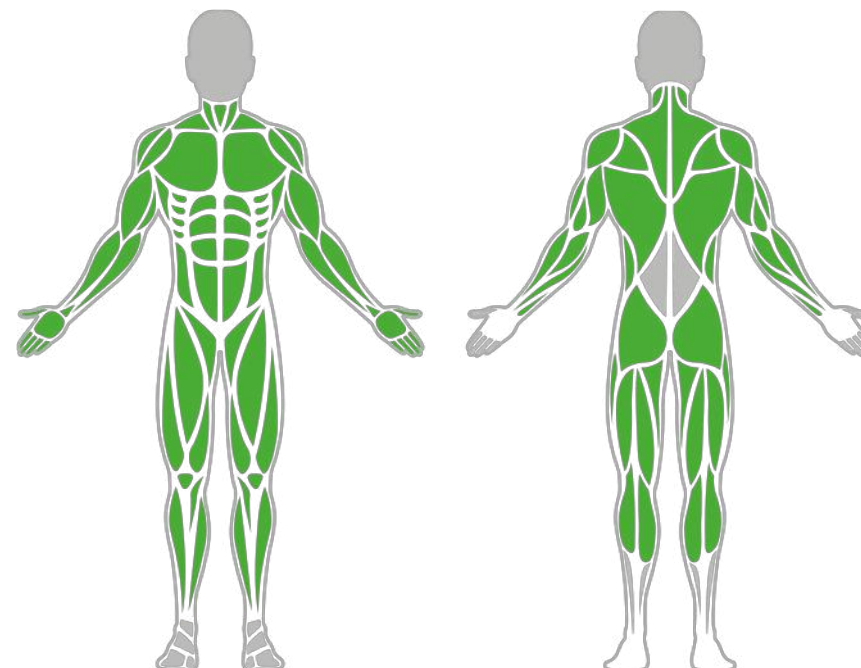




Muscle Groups Focus



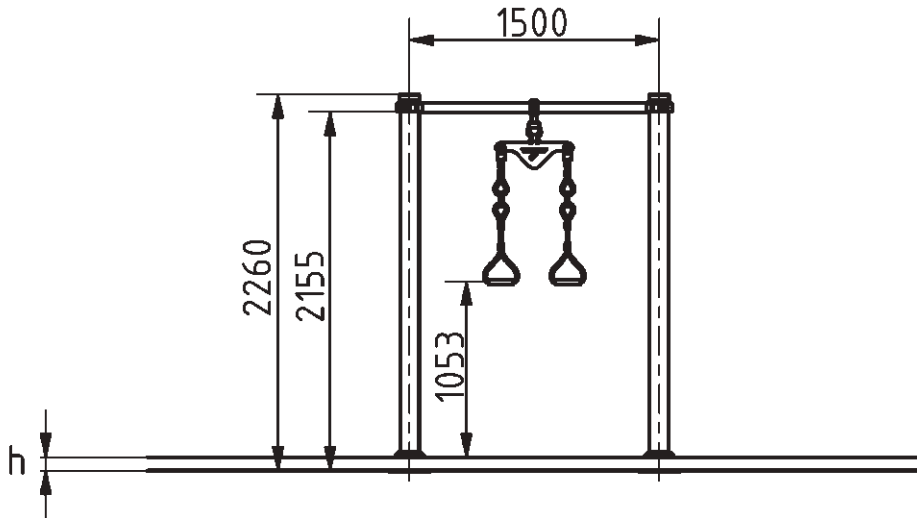
Suspension Trainer 1500 600

The Suspension Trainer 1500 600 stands as a multifaceted piece of fitness equipment, primed for a well-rounded physical regimen. With a column distance reaching 1500 mm and ropes precisely extending to 600 mm, it supports two individuals, facilitating a broad range of exercises that capitalize on body weight, from strength drills to flexibility sessions.

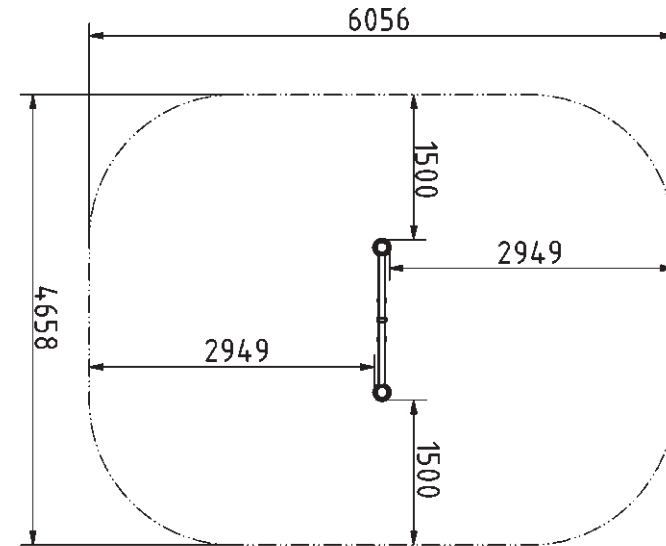
Attributes

Product code	1-1-226
Certificate	EN 16630
Age group	14 + years
Capacity	1 person
Max. weight load	130 kg
Type	Cross Training
Difficulty level	Medium

Side View



Plan View



Installation information

Number of installers (concrete)	At least 2 people
Total installation time (concrete)	45-90 min.
Number of installers (equipment)	At least 2 people
Total installation time (equipment)	20-30 min.
Excavation volume	0.4 m ³
Concrete volume	0.4 m ³
Size of the base structure	2pc 0,5 x 0,5 x 0,8 m
Anchoring options	In-ground or surface
In combined structures, the volume of concrete required varies.	

Technical specification

Safety surface area	Around 1,5 m radius
Net weight	20kg
Material	S235,KO33
Critic fall height	-
Color options	

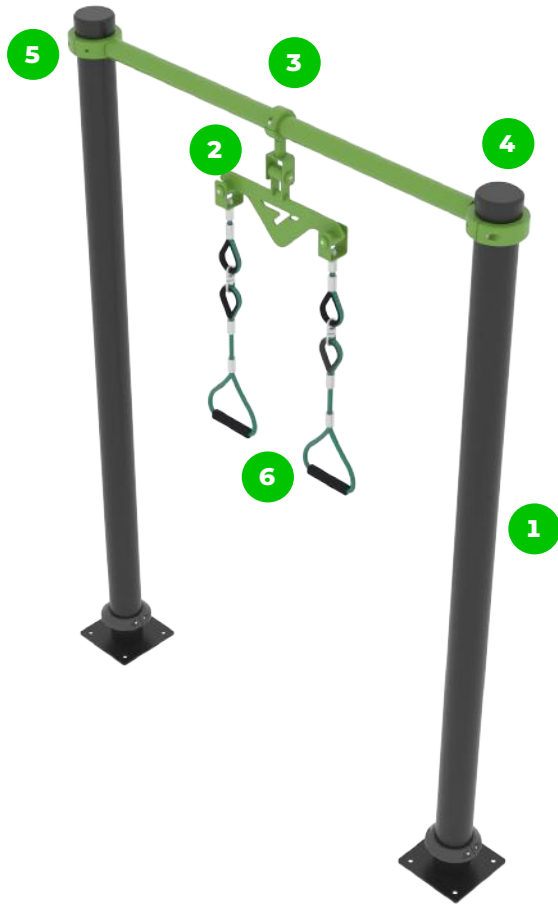
For more color options, discuss with your sales representative.



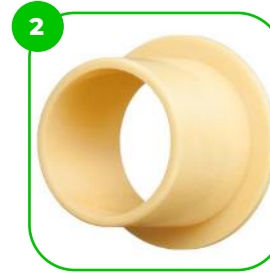
Warranty

Structure	25-15 years
Steel	5-10 years
Paint	2 years
Plastic	5-10 years
Rubber	1-3 years
Moving parts	2 years
Detailed information in the warranty document	

Material specification



The element is made of high quality S235 steel, which has been cleaned via sandblasting. A corrosion resistant powder coating finish is then applied. Also available with galvanized surface for even greater protection and longevity!



The device is fitted with composite bearings that are weather-resistant. The bearing does not require regular maintenance.



The connecting elements are fastened with vandal-proof stainless steel screws and nuts.



The ends of the bars and posts are sealed with injection-moulded plastic caps.



The clamp system allows for easy assembly and extreme stability.



Steel ropes with a 16 mm diameter, galvanized and sheathed in nylon, are joined using connectors made of plastic. These ropes are UV radiation, abrasion, and rot-resistant.

