

# BREAKING NEWS

---



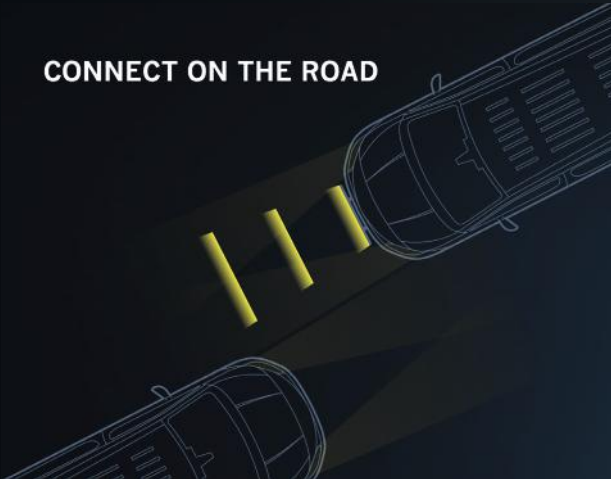
# STAY UPDATED

Subscribe to our newsletter to stay updated on Strands' latest product releases. Once a week you'll receive in-depth guides on vehicle lighting, special announcements, and essential information about exciting new products.



Subscribe to our newsletter to receive the latest news on vehicle lighting

## CONNECT ON THE ROAD



## XPERIENCE HELLO

Experience the power of instant communication with our revolutionary Hello function. With just a touch, transform your drive into a seamless dialogue with fellow road users. Effortlessly signal warnings, express courtesy, or greet others, day or night. Just flash your headlights twice and it will activate. Our Night-Friendly technology ensures your message shines through in any lighting condition.

From alerting others to potential hazards to acknowledging courteous drivers, Hello's Versatile Signaling adapts to every situation. Enhance your safety and that of others with clear, immediate communication. Simple, intuitive, and powerful – Hello puts you in control, making every journey safer and more connected. Elevate your driving experience with the future of road communication.

*The Hello function is available in the Siberia XP range of driving lights and LED bars*

## REFINED DESIGN

The Ambassador driving light is one of the most loved Strands products, and with good reason. The clean lines, premium materials, and timeless design boost the looks of any truck. With high visibility, low weight, and low power consumption, it will tackle the darkest nights with ease. Thanks to a high IP rating and premium quality materials, the Ambassador is a long-lived product that will light the way for years. It's manufactured in Europe to minimize transport and, thus, environmental impact.

The Ambassador's stylish looks blend perfectly with any vehicle. There are three options available: clear lens (Part No. 5270922), yellow lens (Part No. 5270924), and dark reflector (Part No. 5270925), so any driver can get a perfectly tailored look. All options have white and amber position lights and can be used with black or chrome rings around the lens.



## FUNCTION WARRANTY THREE TO SIX YEARS

More than design, quality, and performance, we offer peace of mind. All products in the Strands Lighting Division range are covered by a unique function warranty, valid for 3 to 6 years. The warranty is unique on the market and covers faults related to manufacturing, materials, and assembly. Our goal is to improve service, increase customer satisfaction, and emphasize our brand's quality.



# ▶ YOUTUBE



## TRUCK TOUR

Meeting different drivers and seeing all the passion that goes into creating each unique truck is a huge inspiration and pure joy. Every fair means an opportunity to see the multitude of ways you use Strands' products. If you're curious about some of the trucks and drivers we've met during different fairs over the years, take a look at the Truck Tour playlist. In each episode, we get to listen to a driver guiding us through the look and products of their truck.



Follow us  
on YouTube

## HOW TO

Want a deep dive into your favorite products? On our YouTube channel, you'll see the products up close and learn about their functions and installation. If you're wondering how to connect the wires, what the lighting patterns look like, or want a close-up of the design, these informative videos are the place to start.



# 📷 INSTAGRAM



## INSTAGRAM

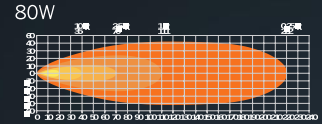
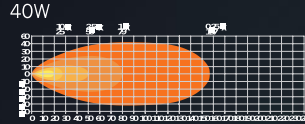
Follow us on Instagram to participate in competitions, see our collaborations and follower content, and be the first to learn about exciting new product releases. We love to see all the creative ways you use your Strands products in action, so tag us @strandslightingdivision to be featured in our highlights section.



Follow us  
on Instagram



# NUUK E-LINE SCENE LIGHT



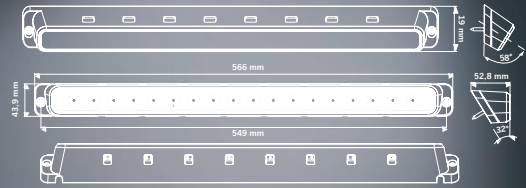
- ✓ MORE THAN 8200 ACTUAL LUMENS
- ✓ REIMAGINED ILLUMINATION
- ✓ A WORK LIGHT WITH PERFECT PRECISION
- ✓ EASY TO INSTALL



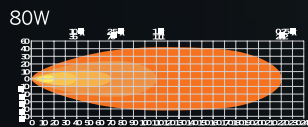
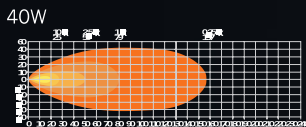
Use the QR code to check out the products.

Part No. 5809136  
€ 130,00 excl. VAT / € 157,30 incl. VAT

<b>Voltage</b>	9-36V DC	<b>Material housing</b>	Aluminium
<b>Consumption</b>	80W, 40W	<b>Material lens</b>	Polycarbonate
<b>Theoretical lumen</b>	9200 lm	<b>Length</b>	566 mm
<b>Actual lumen</b>	8200 lm / 4100 lm	<b>Depth</b>	52,8 mm
<b>1 lux @</b>	111 m / 79 m	<b>Height</b>	43,9 mm
<b>Color temperature</b>	5000K	<b>Height including bracket</b>	43,9 mm
<b>Beam pattern</b>	Wide beam	<b>Angle</b>	58°
<b>IP-class</b>	IP68/IP69K	<b>Operating temperature</b>	-40°C - +60°C
<b>Connection</b>	Cable	<b>E-approved</b>	No
<b>Cable length</b>	2500 mm	<b>EMC-certificate</b>	ECE R10



# NUUK E-LINE WORK LIGHT



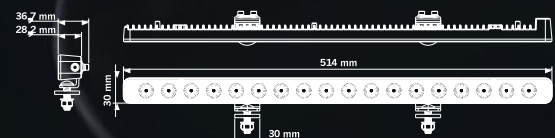
- ✓ 8200 ACTUAL LUMENS
- ✓ SLIM AND LIGHTWEIGHT
- ✓ REIMAGINED WORK LIGHT



Use the QR code to check out the product.

Part No. 5809137  
€ 120,00 excl. VAT / € 145,2 incl. VAT

<b>Voltage</b>	9-36V DC	<b>Material housing</b>	Aluminium
<b>Consumption</b>	80W, 40W	<b>Material lens</b>	Polycarbonate
<b>Theoretical lumen</b>	9200 lm	<b>Length</b>	514 mm
<b>Actual lumen</b>	8200 lm / 4100 lm	<b>Depth</b>	28,2 mm
<b>1 lux @</b>	79 m / 111 m	<b>Height</b>	30 mm
<b>Color temperature</b>	5000K	<b>Height including bracket</b>	39,5 mm
<b>Beam pattern</b>	Wide beam	<b>Operating temperature</b>	-40°C - +60°C
<b>IP-class</b>	IP68/IP69K	<b>E-approved</b>	No
<b>Connection</b>	Cable	<b>EMC-certificate</b>	ECE R10
<b>Cable length</b>	2500 mm		



# DARK KNIGHT STROBE LIGHT DUO



Use the QR code to check out the products.

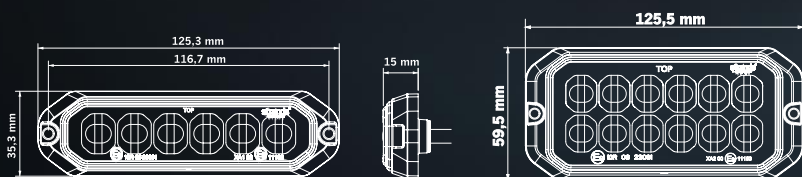


## ✓ THREE E-APPROVED OPTIONS

Choose between a single (6 LEDs), double (12 LEDs), or a triple row (18 LEDs) light. The optics are designed to emit the most powerful and efficient light output, giving you an intense and precise beam.

## ✓ DUO COLOR AND SUPER-DARK LENS

The Dark Knight strobe light has two flashlight options: amber and white. While the flashes are incredibly strong, the super-dark lens gives it a smooth and stylish look when not in use.



Part No. 5850460  
€ 49,00 excl. VAT / € 59,29 incl. VAT



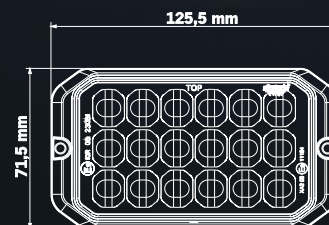
Part No. 5850461  
€ 59,00 excl. VAT / € 71,39 incl. VAT



Part No. 5850462  
€ 69,00 excl. VAT / € 83,49 incl. VAT

## ✓ POWERFUL LIGHT

This powerful light provides high visibility with low power consumption, consuming only 12-26 W. It can be installed on a wide range of vehicles thanks to the 10-32 V DC compatibility. With 20 warning light patterns, including steady on, you can find the perfect one for any situation.



Part No. 5850460, 5850461, 5850462

<b>Voltage</b>	10-32V DC	<b>Cable length</b>	1000 mm
<b>Consumption</b>	Amber: 13W/25W/26W White: 12W/24W/24W	<b>Material housing</b>	Aluminium
<b>Color temperature</b>	Amber: 1700K, White: 6000K	<b>Material lens</b>	Polycarbonate
<b>Functions</b>	Warning light	<b>Length</b>	125,3 mm / 125,5 mm / 125,5 mm
<b>Patterns</b>	20	<b>Depth</b>	15 mm
<b>IP-class</b>	IP67/IP69K	<b>Height</b>	35,3 mm / 59,5 mm / 71,5 mm
<b>Color lens</b>	Dark	<b>CC</b>	116,6 mm / 117,2 mm / 117,2 mm
<b>Color LED</b>	White and amber	<b>Operating temperature</b>	-40°C · +60°C
<b>Connection</b>	Cable	<b>E-approved</b>	ECE R65 Class 1 / Class 2 / Class 2
		<b>EMC-certificate</b>	ECE R10



strands<sup>®</sup>  
-lighting division



# FIREFLY DRIVING LIGHT BLACK



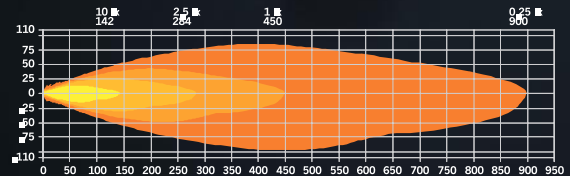
Use the QR code to  
check out the products.

## ✓ WARNING LIGHT FUNCTION

Firefly Professional Black stands out from the crowd by not only being a powerful driving light with maximum performance, but it also features a warning light that is E-approved ECE R65 Class 1 and Class 2.

## ✓ A HALO OF LIGHT

The Firefly driving light is sure to impress anyone who sees it. The floating dual-color position light is perfectly positioned around the LEDs. Creating a halo of light and giving the impression of a weightless glow in the air.



Part No. 5270955 (FIREFLY BLACK),  
5270956 (FIREFLY PROFESSIONAL BLACK)

Voltage	10-48V DC
Consumption	145 W
Consumption Warning light	36 W
Theoretical lumen	16 800 lm
Actual lumen	12 076 lm
1 lux @	450 m
IP-class	IP67
Color Temperature	6000K
Beam pattern	Combo
Position light 5270955	Amber and white
Position light 5270956	Amber and white / Warning light (day/night)
Connection 5270955	DT-4
Connection 5270956	DT-6
Cable length	150 mm
Material housing	Aluminium
Material lens	Polycarbonate
Diameter	220 mm
Depth	85 mm
Height including bracket	239 mm
Operating temperature	-40°C ~ +65°C
E-approved 5270955	R148, R149
E-approved 5270956	R65 (XA2) ECE R148, R149
Ref	50
EMC-certificate	ECE R10

Part No. 5270955  
**FIREFLY BLACK**  
€ 307,20 excl. VAT / € 371,71 incl. VAT

## ✓ THE FORCE OF NATURE

The Firefly series is defined by the unique position lights, cutting through the dark ahead of the vehicle. Their vibrancy captures the essence of the Firefly, with its power, speed, lightness, and beauty. It's inspired by the elements, and the crisp brightness of the position lights is enhanced by the unique way of attaching them to the inside of the lens.



strands<sup>®</sup>  
-lighting division

Prices for information purpose only,  
please visit our website for up-to-date prices.

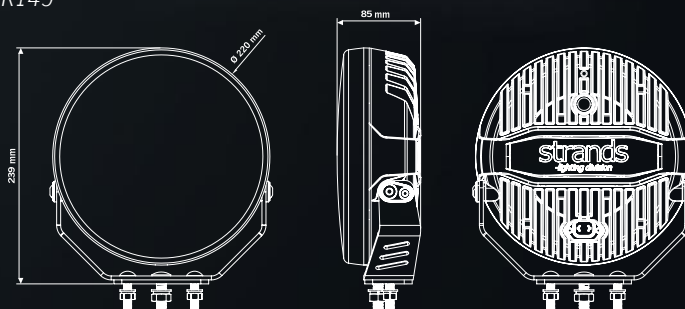


✓ **NO COMPROMISES –  
MAXIMUM PERFORMANCE**

The crisp, extremely wide beam pattern comes with no compromises. Ready to do the job. You get maximum performance at 12076 actual lumens at over 500 meters. A testament to the power of light and technology working in perfect harmony. A symbol of the limitless possibilities that lie beyond your next mission.

Part No. 5270957  
€ 307,20 excl. VAT / € 371,71 incl. VAT

Voltage	10-48V DC
Consumption	145 W
Consumption Warning light	21 W
Theoretical lumen	16 800 lm
Actual lumen	12 076 lm
1 lux @	470 m
IP-class	IP67
Color Temperature	6000K
Beam pattern	Combo
Position light	Amber and white / Warning light (day/night)
Connection	DT-6
Cable length	150 mm
Material housing	Aluminium
Material lens	Polycarbonate
Diameter	220 mm
Depth	85 mm
Height including bracket	239 mm
Operating temperature	-40°C ~ +65°C
E-approved	R65 (XA2) ECE R148, R149
Ref	50
EMC-certificate	ECE R10



# FIREFLY DRIVING LIGHT WHITE



Use the QR code to  
check out the products.



**strands<sup>®</sup>**  
-lighting division

# BIG ENERGY ROOF BAR XL



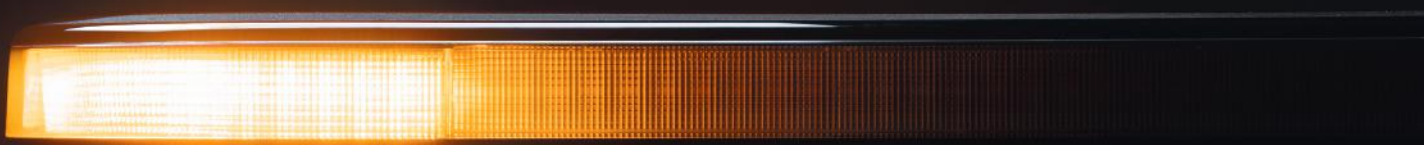
Use the QR code to check out the products.

✓ **ICAO AND E-APPROVED**

To fit any driver, the Big Energy XL is E-approved ECE R65 TA2 for use both day and night. More than that, it follows the ICAO regulation type C for vehicles operating at airports.

✓ **CRUISE LIGHT GLOW**

Finally, we can introduce a much-asked feature: the amber cruise light glow. With this, the edges of the roof bar display a powerful amber glow, or you can activate it all around the roof bar. Or choose between 27 unique warning light patterns to find the one perfect for you. Big Energy XL has a memory function and will automatically engage the latest setting. Installation is straightforward, with separate cables for cruise mode and low intensity.





# HEAVY-DUTY DARK DESIGN



## ✓ HEAVY-DUTY WARNING LIGHT SOLUTION

This robust roof bar fits all kinds of trucks while maintaining a smooth, dark style. With options from 880 to 1840 mm long, any driver can enjoy this stylish addition to their vehicle. The 200 mm depth and solid feel make it perfect for trucks and other heavy vehicles. Its 2500 mm cable enables easy access to the junction box, making it easy to install. Thanks to the IP67 IP rating, it has excellent resistance to water and dirt. It's also covered by Strands' market-leading 3-year warranty.

Part No. 5850151 (880 mm)	€ 499,00 excl. VAT / € 603,79 incl. VAT
Part No. 5850152 (1200 mm)	€ 559,00 excl. VAT / € 676,39 incl. VAT
Part No. 5850153 (1520 mm)	€ 669,00 excl. VAT / € 809,49 incl. VAT
Part No. 5850154 (1820 mm)	€ 779,00 excl. VAT / € 942,59 incl. VAT



## ✓ DARK LENS AND PREMIUM DESIGN

If you're a fan of the Big Energy dark look, this is for you. The XL roof bar boasts a sparkling TPU satin top and stylish profile. The dark PC lens provides an eye-catching contrast to the amber glow, and a smooth, rounded aluminum housing completes the look and heightens any vehicle's style.

### Part No. 5850151-5850154

<b>Voltage</b>	12-24V DC	<b>Material housing</b>	Aluminium
<b>Consumption</b>	105W / 126W / 144W / 160W	<b>Material lens</b>	Polycarbonate
<b>Patterns</b>	29	<b>Length</b>	880 / 1200 / 1520 / 1840 mm
<b>IP-Class</b>	IP67	<b>Depth</b>	200 mm
<b>Color lens</b>	Dark	<b>Height</b>	44 mm
<b>Color LED</b>	Amber	<b>Height including bracket</b>	100 mm
<b>Connection</b>	Cable	<b>Operating temperature</b>	-30°C - +60°C
<b>Cable length</b>	2500 mm	<b>E-approved</b>	ECE R65 TA2, ICAO Type C
		<b>EMC-certificate</b>	ECE R10



# IZE LED SILVER ARROW DOUBLE BURNER



Part No. 5850458-5850459

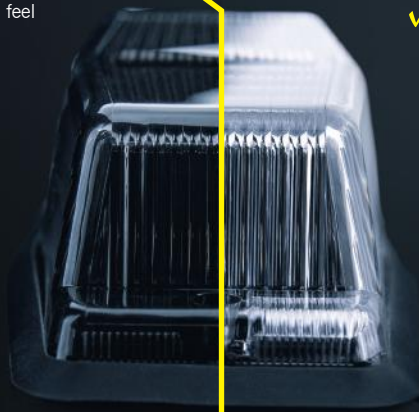
<b>Voltage</b>	10-32V DC	<b>Cable length</b>	1000 mm
<b>Consumption</b>	White position light: 3 W, Amber position light: 3 W, Warning light: 2,5 W	<b>Material housing</b>	Polycarbonate
	Position light, Warning light	<b>Material lens</b>	Polycarbonate
<b>IP-Class</b>	IP69K	<b>Length</b>	125 mm
<b>Patterns</b>	21	<b>Depth</b>	32 mm
<b>Color lens</b>	(5850458) Clear / (5850459) Dark	<b>Height</b>	52 mm
<b>Color LED</b>	White and amber	<b>CC</b>	109 mm
<b>Connection</b>	Cable	<b>Operating temperature</b>	-30°C - +60°C
		<b>E-approved</b>	ECE R148 (ECE R7, R91)
		<b>EMC-certificate</b>	ECE R10

## ✓ CORROSION-FREE

Be the center of attention with this undeniable old-school look. We've taken the classic double burner and driven it into the future. You'll recognize the style and shape, but with a quality and feel thoroughly updated to fit the modern driver.

## ✓ OLD SCHOOL GLOW

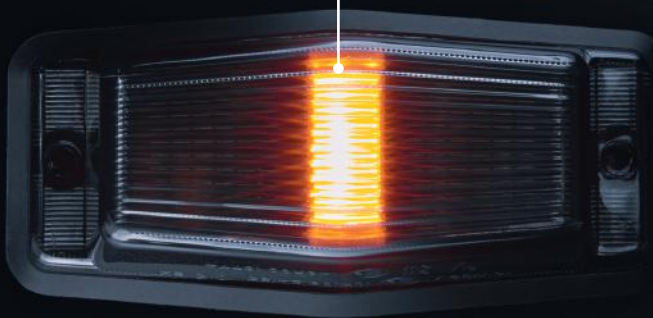
The IZE LED double burner has a powerful amber and white light. To get the perfect style, choose between the Silver Arrow with a clear lens or the Black Bullet with a dark lens. It's a perfect match for the exceptionally popular IZE LED Torpedo (Part No. 5850426-5850427) with its patterned lens, duo position light, and built-in warning light.



## ✓ DUO COLOR AND WARNING LIGHT

In addition to attitude and style, the IZE LED double burner has a built-in warning light for extra visibility. The amber warning light has 21 light patterns to fit any situation. You can synchronize up to 12 double burners or Dark Knight Strobe lights for a complete look around your truck.

WARNING  
LIGHT



Use the QR code to check out the products.

Part No. 5850459

€ 27,50 excl. VAT / € 33,28 incl. VAT

# IZE LED BLACK BULLET DOUBLE BURNER

# UNITY EDGE



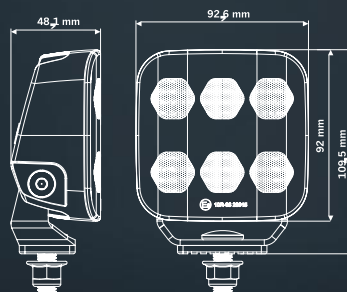
**37W**  
**3940 LM**

Part No. 5809276

€ 49,00 excl. VAT / € 59,29 incl. VAT

✓ **ZERO WASTE LIGHT AND NO-EDGE LENS**

The wide and even output is optimized using Zero Waste Light technology, minimizing shadows and eye strain. Unity Edge is updated with a No-Edge lens design, which helps to widen the beam and direct water away from the front of the lens.



✓ **HIGH POWER, LOW CONSUMPTION**

With a powerful flood beam, the Unity Edge will illuminate your workspace with a force of 3940 actual lumens and a color temperature of 5700 K. It uses only 37 W, so there is no need to worry about power consumption. The range of 67 meters is an incredible feat for such a small light. It's EMC certified ECE R10, CISPR25 Class 3.



Use the QR code to check out the products

✓ **UPDATED EVERYDAY WORK LIGHT**

Its small size and big power make it a perfect companion for everyday use. It will fit any vehicle thanks to the 150 mm cable with DT-2 connector and can easily replace old or worn-out lights.



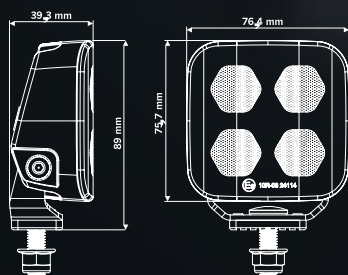
**20W**  
**2010 LM**

Part No. 5809275

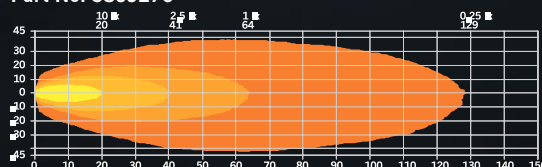
€ 39,00 excl. VAT / € 47,19 incl. VAT

✓ **SMALL AND STURDY**

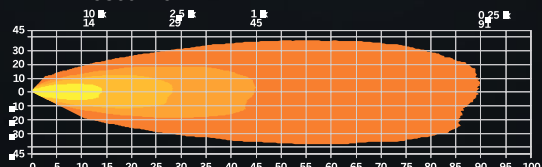
The Unity Edge is small enough to fit in your hand. But don't let the small size fool you. It's IP-rated IP68/IP69K and made from sturdy materials, guaranteeing a long-lived product in any weather.



Part No. 5809276



Part No. 5809275



# FIREFLY SEE ME



Use the QR code to check out the products

## FLOATING POSITION LIGHT TECHNOLOGY

✓ Be seen, be you. The new Firefly See Me series offers exciting new opportunities in vehicle styling and visibility. With a new position light technology, where the light hovers above the vehicle's surface, any vehicle can get a head-turning look.



## ✓ THE FUTURE OF POSITION LIGHTS

At Strands Lighting Division, we want to push the boundaries for what is possible. Attaching the position light to the inside of the glass makes it invisible when not in use. When in use, the light appears to float weightlessly outside the vehicle. Firefly See Me guides the way to the future of position lights, merging advanced technology with a striking design.



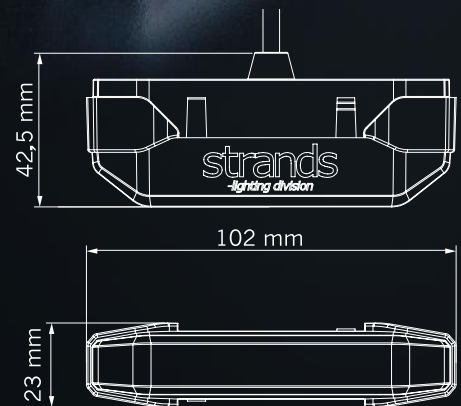
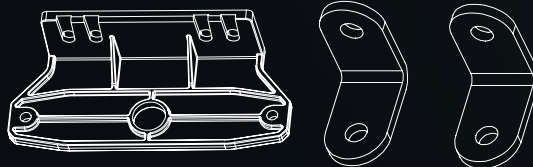
Part No. 5850443

### WARNING LIGHT, SIDE MARKER

SINGLE FLASH/DOUBLE FLASH

14,5W

€ 39,00 excl. VAT / € 47,19 incl. VAT



Voltage	10-48V DC
IP-class	IP67
Color lens	Clear
Connection	Cable
Cable length	1000 mm
Material bracket	Polycarbonate
Length	102 mm
Depth	42,5 mm
Height	23 mm

Height including bracket	65 mm
Operating temperature	90 mm
CC	-30°C +66°C
E-approved:	
850441/850444	R148 (R7)
850442	R148 (R91)
850443	R65 class 2
EMC-certificate	ECE R10



**strands**  
-lighting division

Part No. 8550441  
**RED POSITION LIGHT  
TAIL/BRAKE LIGHT**  
1,5W  
€ 35,00 excl. VAT / € 42,35 incl. VAT

✓ **E-APPROVED AND DURABLE**

Despite its slim size, the Firefly See Me series is highly durable and can withstand rugged use and many hours on the road. Made from aluminum, polycarbonate, and IP-classed IP67, it is resistant to wear and tear, dirt, and liquids. All lights are E-approved and covered by Strands Lighting Division's unique 3-year function warranty.

✓ **BEYOND AVERAGE CUSTOMIZATION**

Using a click-frame for one, two, or three lamps for installation, it's easy to install as many lights as you need. As the Firefly See Me series continues to grow, opportunities for customization will increase. With side markers, double burner position lights, warning lights, and tail lights, Firefly See Me will provide excellent illumination wherever needed. The slim size makes it a perfect fit for trucks, LCVs, or any vehicle.

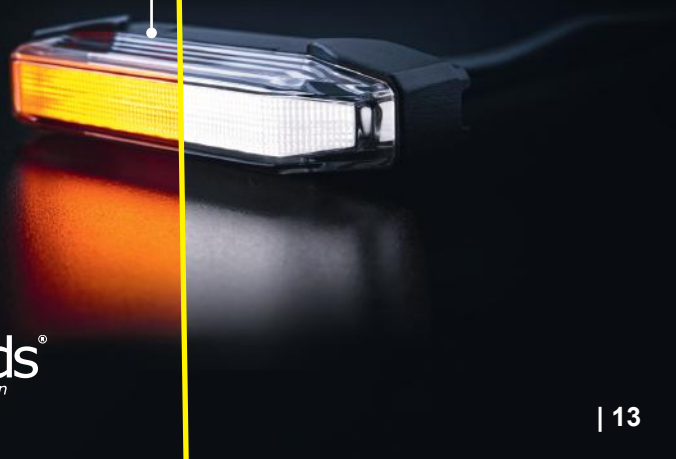


5850442  
**SIDE MARKER**  
1W  
€ 35,00 excl. VAT / € 42,35 incl. VAT

Part No. 5850449  
**TRIPLE  
MOUNTING BRACKET**  
€ 6,20 excl. VAT / € 7,50 incl. VAT

Part No. 5850448  
**DOUBLE  
MOUNTING BRACKET**  
€ 5,10 excl. VAT / € 6,17 incl. VAT

Part No. 5850444  
**DOUBLE BURNER,  
POSITION LIGHT, WHITE/AMBER**  
2W  
€ 35,00 excl. VAT / € 42,35 incl. VAT



# FREEDOM LIGHTHOUSE



**POLE MOUNT**  
Part No. 5800236

€ 137,00 excl. VAT / € 165,77 incl. VAT



**SURFACE MOUNT**

Part No. 5800235

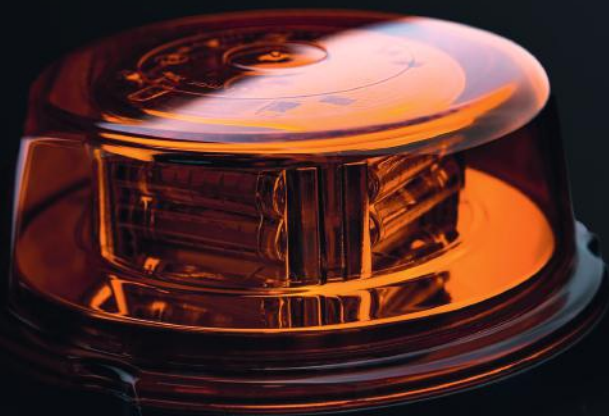
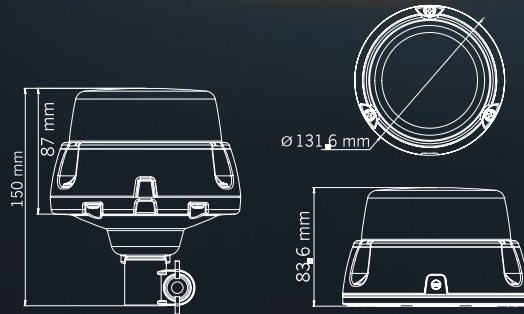
€ 137,00 excl. VAT / € 165,77 incl. VAT



Use the QR code to check out the products

## ✓ SIX-YEAR WARRANTY

Harsh weather, salt, asphalt, concrete, mining dust, and hard use—the Freedom Lighthouse is made to endure it all. It's covered by Strands Lighting Divisions' market-leading 6-year warranty to guarantee a product that will never disappoint. It's highly vibration-resistant, and the durable PC housing is corrosion-free and has extra UV protection. With the IP-rating IP6K9K, it's protected against dirt and water in any weather.



## ✓ MADE IN EUROPE

As part of the Freedom family of products, the Lighthouse is made in Europe to shorten transport and minimize environmental impact. It is E-approved ECE R65 (class 1) and consumes only 20 W to keep down power strain. As a long-lived product it will contribute to a more sustainable future.

Part No. 5800235 / 5800236

Voltage	12-24V DC	Cable length	3000 mm / -
Consumption	20 W	Height	83,6 mm / 150 mm
Function	Warning light	Diameter	131,6 mm
IP-Class	IP6K9K	Pattern	1
Color lens	Transparent amber	Operating temperature	-40°C - +40°C
Color LED	Warm white	ADR-approved	No
Material housing	Polycarbonate	E-approved	ECE R65 Class 1
Material lens	Polycarbonate	EMC-certificate	ECE R10
Connection	Cable / Pole mount		



**strands**  
-lighting division

Prices for information purpose only, please visit our website for up-to-date prices.

# XL



Use the QR code to check out the products

Part No. 5800265  
**FREEDOM LIGHTHOUSE XL**  
AMBER LENS  
€ 232,20 excl. VAT / € 280,96 incl. VAT

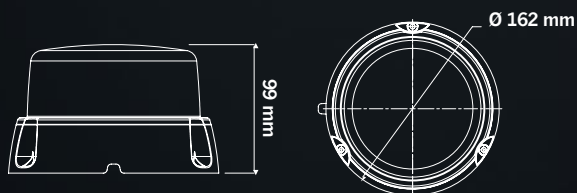


Part No. 5800265-1  
**FREEDOM LIGHTHOUSE XL**  
CLEAR LENS  
€ 235,30 excl. VAT / € 284,71 incl. VAT



✓ **CLEAN LOOK FOR ROUGH WORK**

Rough work doesn't mean you have to sacrifice a sleek style for your vehicle. Freedom Lighthouse has a clean and stylish look without compromising safety and durability. Its smooth edges and lines will heighten the look of any vehicle. The exceptional polycarbonate lens has a transparent amber hue and combines with warm white LEDs to provide high visibility and a comfortable light to work in.



Part No. 5800265 / 5800265-1

Voltage	12-24V DC	Material lens	Polycarbonate
Consumption	27W	Cable length	3000mm
Patterns	8	Height	99mm
IP-class	IP68	Diameter	162mm
Color lens	Amber / White	CC	91,2/115,1/132,8mm
Color LED	White	E-approved	ECE R65
Material housing	Polycarbonate	EMC-certificate	ECE R10



Part No. 5850210  
€ 220,00 excl. VAT / € 266,20 incl. VAT

# CRUISE LIGHT ROOF BAR

- ✓ BRING IT ANYWHERE YOU NEED
- ✓ MINI WARNING LIGHT ROOF BAR
- ✓ 13 EASY-TO-USE LIGHT PATTERNS



Use the QR code to check out the product



Part No. 5809272  
€ 43,00 excl. VAT / € 52,03 incl. VAT

# FIREFLY SCENE LIGHT

- ✓ FOCUSED ILLUMINATION FOR EVERY STAGE
- ✓ SLIM FIT AND 10-48 V DC COMPATIBLE
- ✓ DURABLE AND POWERFUL
- ✓ PERFECT ANGLE



Use the QR code to check out the product

Part No. 5800691  
€ 99,00 excl. VAT / € 119,79 incl. VAT

# FREEDOM WORK LIGHT

- ✓ DURABLE
- ✓ SUSTAINABLE
- ✓ HIGHLY COMPATIBLE



Use the QR code to check out the product



Part No. 5800511  
€ 69,00 excl. VAT / € 83,49 incl. VAT

# FREEDOM BLACK RAVEN TAIL LIGHT 3 FUNC.

- ✓ EASY TO INSTALL
- ✓ DARK AND STYLISH PROFILE
- ✓ Y-APPROVED 3-CHAMBER TAIL LIGHT
- ✓ DURABLE MATERIALS AND WARRANTY



Use the QR code to check out the product

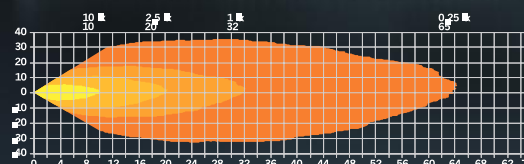




# UNITY ULTRA FLAT



Use the QR code to check out the product



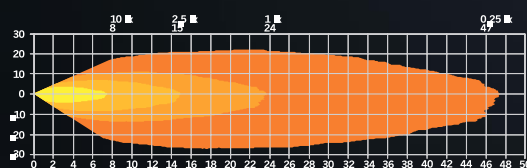
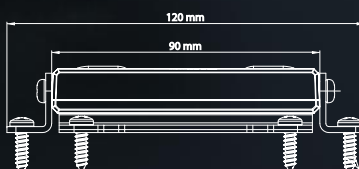
Part No. 5800552

€ 60,60 excl. VAT / € 73,33 incl. VAT

## WORK LIGHT

- ✓ THE SMALLEST WORK LIGHT WITH MANY USES
- ✓ UNIQUE DESIGN WITH A POWERFUL WIDE BEAM AND LOW POWER CONSUMPTION
- ✓ DURABLE AND ROBUST WITH A SPECIAL COATING AND A 3-YEAR WARRANTY

Voltage	10-32V DC
Consumption	22 W
Theoretical lumen	2900 lm
Actual lumen	1370 lm
1 lux @	32 m
IP-class	IP68/IP69K
Beam pattern	Wide beam
Connection	Cable
Cable length	500 mm
Material housing	Aluminium
Material lens	Polycarbonate
Length	90 mm
Depth	40 mm
Height	15 mm
Height including bracket	22,4 mm
Operating temperature	-30°C - +65°C
E-approved	No
EMC-certificate	ECE R10



## DUO

Part No. 5800551

€ 59,00 excl. VAT / € 71,39 incl. VAT

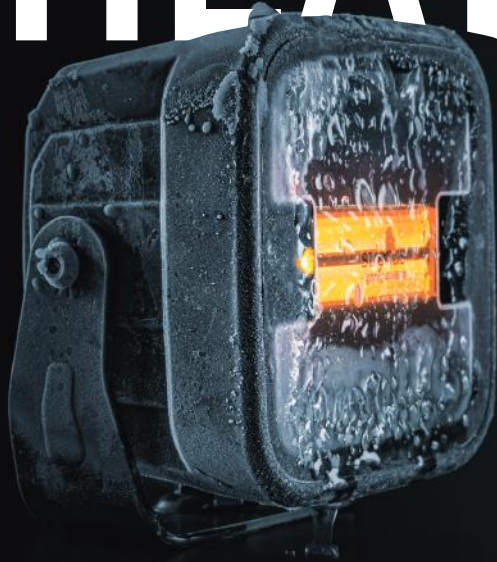
Voltage	10-32V DC
Consumption, reverse light	8,5 W
Consumption, warning light	9W
Patterns	1
Function	Reverse light, Warning light
Theoretical lumen	1150 lm
Actual lumen	600 lm
1 lux @	24 m
IP-class	IP68/IP69K
Beam pattern	Wide beam
Color temperature	6000K
Color LED	Amber and white
Color lens	Clear
Connection	Cable
Cable length	500 mm
Material housing	Aluminium
Material lens	Polycarbonate
Length	90 mm
Depth	40 mm
Height	15 mm
Height including bracket	21,8 mm
Operating temperature	-30°C - +65°C
E-approved	ECE R23, R65
EMC-certificate	ECE R10

- ✓ MUST-HAVE FOR ALL PROFESSIONALS
- ✓ WARNING AND REVERSING LIGHT
- ✓ DURABLE AND 3-YEAR WARRANTY
- ✓ SUPER SLIM DESIGN



strands<sup>®</sup>  
-lighting division

# SIBERIA HEAT XP



## ✓ XPERIENCE HEAT

In the harshest weather, you need products you can trust no matter what. The Siberia XP Heat never lets you down, even during the longest winter nights. Thanks to the heated lens, snow or rain won't turn into ice when hitting the lens, guaranteeing high visibility year-round. The automatic heating function activates at temperatures below 5°C. It connects with a separate cable and can be connected to the position lights, activating them simultaneously.

## ✓ MAXIMUM OUTPUT

You are in control. The XP Heat has a powerful output, letting you focus on the job ahead. With a range of 68 meters and a 3710 actual lumens brightness, the wide beam guarantees high visibility even in the darkest night. A color temperature of 5700 K provides a bright and clear beam. The efficient use of materials and technology results in a low power consumption for such a powerful light, consuming only 30 W.



## ✓ 3710 LM

Part No. 5809265  
€ 139,00 excl. VAT / € 168,19 incl. VAT

Use the QR code to  
check out the product



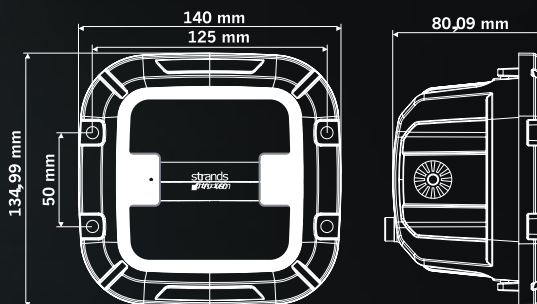
<b>Voltage</b>	10-32V DC
<b>Consumption</b>	30W, Red position light: 1,4W, Amber position light: 1,7W, Heating lens: 25W
<b>Functions</b>	Work light, Red and amber position light, Heating lens function with separate wire
<b>Actual lumen</b>	3710
<b>1 lux @</b>	68
<b>Color temperature</b>	5700K
<b>Beam pattern</b>	Wide beam
<b>IP-class</b>	IP68 / IP69K
<b>Color lens</b>	Clear
<b>Position light</b>	Red and amber
<b>Connection</b>	Cable

<b>Cable length</b>	2000 mm
<b>Material housing</b>	Aluminium
<b>Material lens</b>	Tempered glass
<b>Length</b>	110,44 mm
<b>Height</b>	110,34 mm
<b>Depth</b>	75,45 mm
<b>Height including bracket</b>	119,17 mm
<b>Operating temperature</b>	-30°C - +65°C
<b>CC</b>	L1:125 L2:50 with flush mount frame
<b>E-approved</b>	No
<b>EMC-certificate</b>	ECE R10



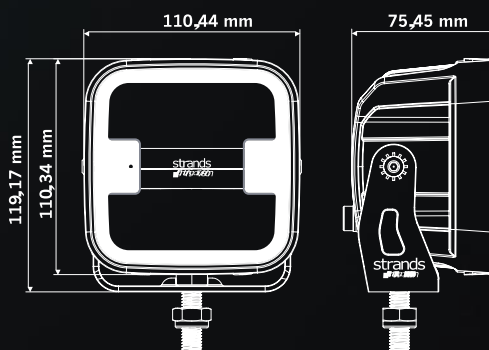
✓ HEAVY-DUTY QUALITY

Plowing, towing, forest work, and many other challenging jobs require the best products. Where performance and safety are in the front seat, you can trust XP Heat to do the job. Its powerful output, solid size, and heavy-duty materials make it a perfect fit for trucks and other heavy vehicles. With a robust aluminum housing and tempered glass lens, Siberia XP Heat will endure any challenge. An IP rating of IP68/IP69K and high vibration resistance guarantees lasting performance.



✓ POWER AND GLOW

The Siberia XP series is defined by the unique shapes and colors of the position lights. In the XP Heat, you'll find amber and red position lights that can be connected in different ways. When connected to the heating function, the position lights glow when the heat is activated. Or connect the position light to the vehicles' indicator lights for extra visibility.



# OUR PARTNERS



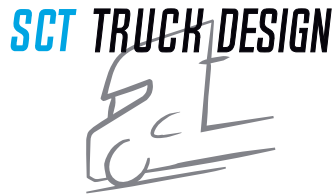
## Delrue NV

Grote Leiestraat 4  
BE - 8570 Anzegem  
Tel. +32 (0)56 68 81 50  
info@delrue.be  
www.delrue.be



## SN-Truckstyling

Atealaan 65  
BE - 2200 Herentals  
Tel. +32 (0)51 50 20 55  
info@sn-truckstyling.com  
www.sn-truckstyling.com



## SCT Truck Design

Industriezone Verrekijker 77  
BE - 8750 Wingene  
Tel. +32 (0)51 72 73 15  
info@sct.be  
www.sct.be



## TC WORKS

Middelweg 10  
BE - 4780 St. Vith  
Tel. +32 (0)478 90 51 63  
Tc-works@hotmail.com  
www.tc-works.com



## A.I.S. Construct

Zur Domaine 59  
BE - 4750 Bütgenbach  
Tel. +32 (0)80 64 20 07  
info@ais-metal.com  
www.ais-metal.com



## TSBM Truck Styling

Rue Jean Meunier 1  
BE - 6922 Wellin  
Tel.: +32 (0)491 10 50 88  
tsbm@outlook.be



## Duchemin AGT

Chaussée de Nivelles 717b  
BE - 6230 Buzet  
Tel. +32 (0)71 89 43 23  
info@ducheminagt.be  
www.ducheminagt.be



## Sjaak Kentie Truckspecials

Achterwetering 32  
NL - 2871 RK Schoonhoven  
Tel. +31 (0)182 388 998  
info@kentietruckspecials.com  
www.kentietruckspecials.com



## GO-IN-STYLE.NL

Lopikerweg Oost 53D  
NL - 3411 JC Lopik  
Tel. +31 (0)348 234 444  
service@go-in-style.nl  
www.go-in-style.nl



## MVB Truckstyling

Lossing 18  
BE - 2260 Westerlo  
Tel. +32 (0)497 60 48 43  
michiel.vanbael@gmail.com  
www.mvbtruckstyling.be



## ALL DAY LED

Fabrieksweg 3C  
NL - 5531 PP Bladel  
Tel. +31 (0)85 130 22 80  
info@alldayled.com  
www.alldayled.com



## Special Interior

De Vecht 2  
NL - 8253 PH Dronten  
Tel. +31 (0)882 007 100  
info@specialinterior.com  
www.specialinterior.com



## Steve's Place

Pletterij 5C  
NL - 2211 JT Noordwijkerhout  
Tel. +31 (0)623 899 228  
info@stevesplacetruckstyling.nl  
www.stevesplacetruckstyling.nl



## Led4Wheels

Koninginnelaan 9  
NL - 4191 EE Geldermalsen  
Tel. +31 (0)633 011 739  
info@led4wheels.nl  
www.led4wheels.nl



## Noah's Cabinterior

Bijsterhuizen 1120C  
NL - 6546 AS Nijmegen  
Tel. +31 (0) 248 200 706  
info@truckinterieur.nl  
www.truckinterieur.nl



## Rodi Truckspecials

Scheepdiep 5C  
NL - 8356 VJ Blokzijl  
Tel. +31 (0)527 292 126  
info@roditruckspecials.nl  
www.roditruckspecials.nl



## Van der Heijden Truckstyling

Korenmolen 5  
NL - 5281 PB Boxtel  
Tel. +31 (0)411 725 700  
info@vanderheijdentruckstyling.nl  
www.vanderheijdentruckstyling.nl



## TEVU

Keulenaar 9  
NL - 3961 NM Wijk bij Duurstede  
Tel. +31 (0)343 578 885  
info@tevu.nl  
www.tevu.nl



## Van Kessel Truckstyling

Vinkenveld 22A  
NL - 5249 JP Rosmalen  
Tel. +31 (0)622 730 320  
vankesseltruckstyling@gmail.com



## Bulthuis Truck- en Traileronderdelen

Gotenburgweg 19  
NL - 9723 TK Groningen  
Tel. +31 (0)50 537 59 59  
groningen@bulthuis.eu  
www.bulthuis.eu