



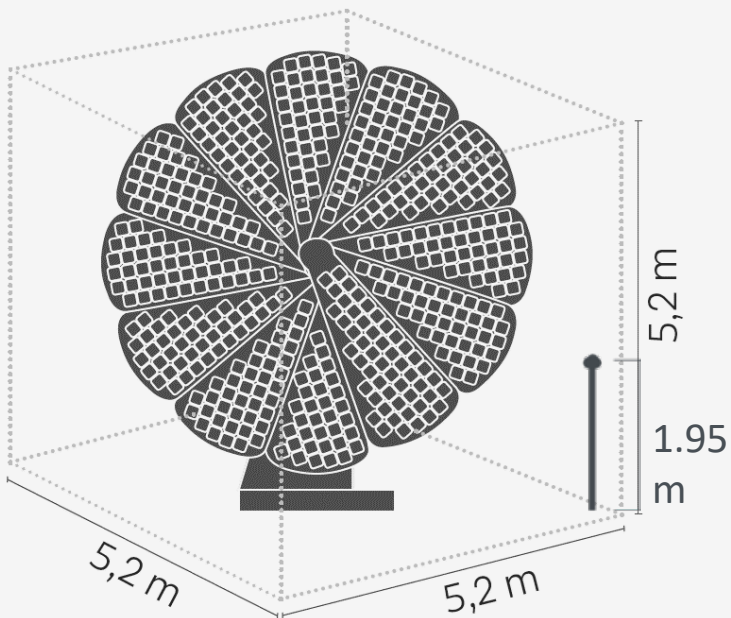
THE WORLD'S FIRST ALL-IN-ONE SOLAR SYSTEM



PRODUCT OVERVIEW



SMARTFLOWER – ALL-IN-ONE SOLAR SOLUTION



- Grid connected all-in-one solution (1 or 3 phase)
- Nominal output: 2.5kWp
- Yearly output with 2-axis tracking:
5.000-6.000 kWh
- Operating area: 5.2 x 5.2 x 5.2 meters
- Operating temperature range: -20°C to +55°C
- System weight: 700kg
- Certification: UL, CE
- System warranty: 2 years (parts & labour)

SMARTFLOWER – AVAILABLE COLORS

Standard colors



Porcelain | RAL9001



Pearl | RAL9006

Custom colours (RAL) available on request for an additional cost. Some popular ones:



Jungle
RAL6010



Lavender
E4-570M



Ocean
RAL5007



Berry
E4-520M



Mermaid
E4-720M



Amber
E4-260M

INSTALLATIONS | GEN5

- Albania
- Australia
- Azerbaijan
- Belgium
- Brazil
- Bulgaria
- Canada
- Chile
- Croatia
- Czechia
- Denmark
- Finland
- France
- Germany
- Ghana
- Greece
- Guatemala
- Hong Kong
- Hungary
- Ireland
- Italy
- Japan
- Korea
- Malta/Gozo
- Mexico
- Morocco
- Netherlands
- Norway
- Oman
- Portugal
- Qatar
- Saudi Arabia
- Slovakia
- Slovenia
- Spain
- Sweden
- Switzerland
- Taiwan
- Thailand
- Türkiye
- UAE
- Ukraine
- United Kingdom
- USA



INSTALLATIONS | GEN5



Toyota Manufacturing, West Virginia, USA, installed Fall, 2022

Installed in March 2023 at DKV Mobility's headquarters in Ratingen, Germany.



INSTALLATIONS | GEN5



Installed at IVECO in Madrid and Turin in 2018 plus added another in Turin in 2022.

Vodafone installed SmartFlowers in the UK and Spain in 2021



INSTALLATIONS | GEN5



Siemens Canada



Nestlé Guatemala



INSTALLATIONS | GEN5

Roskilde Festival, July 2019

“As part of Carlsberg Group’s sustainability programme, Together Towards ZERO, we are targeting 100% use of renewable electricity by 2022 – a target we already meet in Western Europe today. Therefore, Tuborg in Denmark found it relevant to continue that journey with Roskilde Festival, who has been a close partner for many years and who is also committed to sustainability... we thought the SmartFlower was a great way to highlight the importance of renewable electricity.”

— Christian Sveigaard, Head of Tuborg in Denmark.



INSTALLATIONS | GEN5



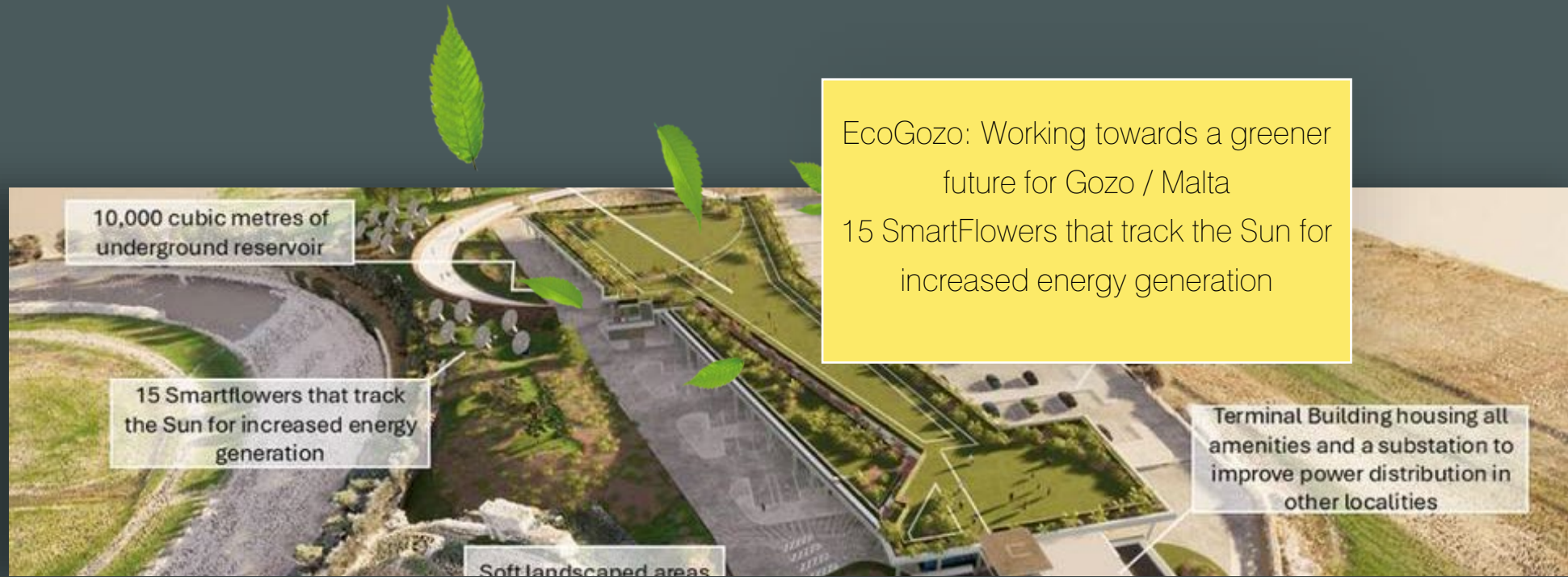
3 SmartFlowers installed by Adidas in Munich, later moved to their HQ in Germany



Meinberg Funkuhren GmbH & Co KG., Bad Pyrmont, Germany, installed in 2022



INSTALLATIONS | GEN5



BRANDING POTENTIAL - WRAPS

Sponsorships

- Sponsors can pay to have their names/logos displayed on a wrap
- Wrap can be redone periodically to allow for new sponsors

Advertising

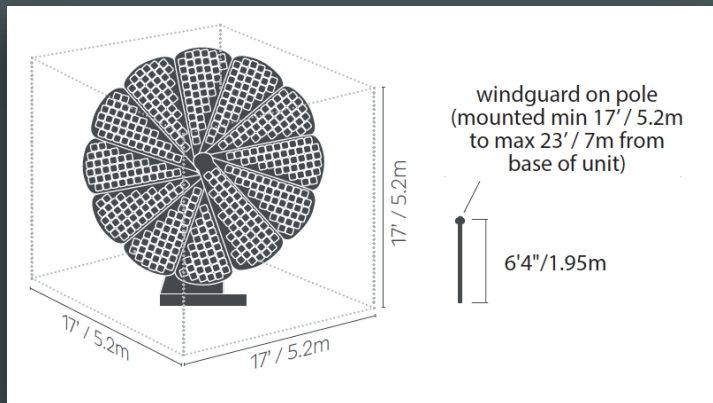
- Advertisers can pay a fee to advertise their product, service or event on a wrap
- Treat it like a billboard: You can charge a CPM (cost per mile/thousand impressions) for an ad on the SmartFlower



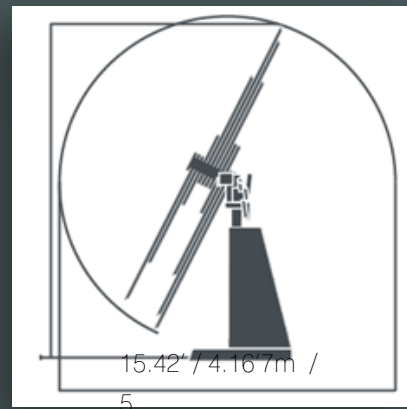
SMARTFLOWER TECHNICAL DATA

DIMENSIONS

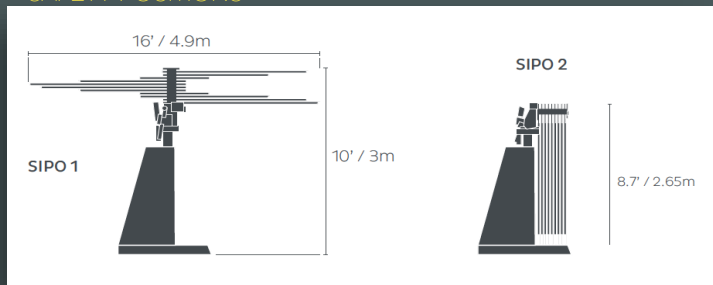
ACTIVE AREA



TRACKING, MAX. HEIGHT



SAFETY POSITIONS



SMARTFLOWER TECHNICAL DATA

SYSTEM GENERAL DATA

Nominal power output	2.5 kWp
Annual output with 2-axis tracking	5,000—6,000 kWh*
System self-consumption per year	Approx. 400 kWh
System warranty	2 years parts and labour
System certifications	UL 3703, CE

SOLAR MODULE

Panel type	Glass / Backsheet
Cell type	Monocrystalline PERC
Panel product warranty	2 years
Array configuration	12 module, single string

OPERATIONAL CONDITIONS

Operational temperature range	20°C to 55°C
Humidity	0—95% (non condensing)
Automatic wind protection system	See "Safety Positions"
Wind speed	** Sun tracking SIPO1
< 13 m/s (29 mph/47 kph)	SIPO2
13 to 17.5 m/s (29 to 40 mph/47 to 63 kph)	
> 17.5 m/s (40 mph/63 kph)	

INVERTER DATA

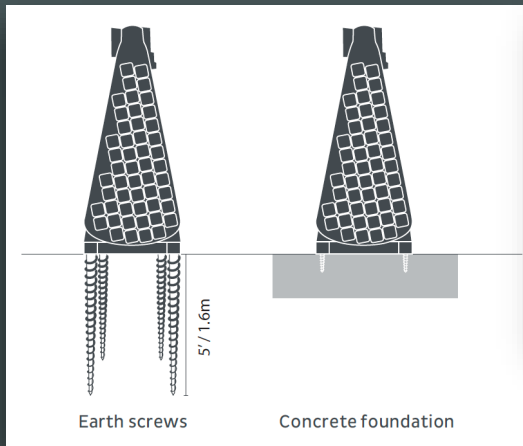
Inverter	Integrated with unit
Nominal frequency	50Hz / 60Hz
Available grid settings	Single-phase, UL, 208V / 240V
	Single-phase, 220V / 230V
	Three-phase, 220V / 380V or 230V / 400V

Specific inverter determined by region and grid. For additional inverter details, contact a SmartFlower sales representative

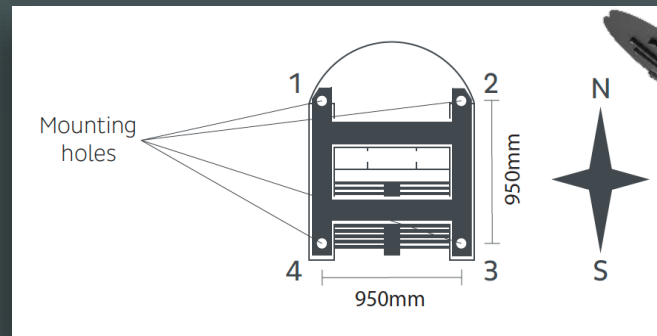
SMARTFLOWER TECHNICAL DATA

INSTALLATION DRAWINGS

FOUNDATION



BOTTOM VIEW



SMARTFLOWER TECHNICAL DATA

ELECTRICAL CONNECTIONS

1P UL, 240/208V	1~ NPE (L1, L2, N, PE)
1P 220/230V	1~ NPE (L, N, PE)
3P 220/380V or 230/400V	3~ NPE (L1, L2, L3, N, PE)
Grid connection (circuit breaker)	***
1P UL, 208/240V	20A
1P 220/230V	16A
3P 220/380V or 230/400V	

INSTALLATION

Mounting	4 fastening points
Assembly	Earth screws, concrete foundation, or a pre-cast concrete pad****

REMOTE MONITORING

LAN cable	CAT 5e or better with RJ45 Connector
Off-grid / remote location (optional)	Cell network enabled kit

SYSTEM ORIENTATION

Northern Hemisphere	Modules must face south
Southern Hemisphere	Modules must face north

SYSTEM WEIGHT AND DIMENSIONS

System weight	~1540lbs ~700 kg
Shipping dimensions (in mm):	
Vertical packaging	65 x 47 x 106 1650 x 1190 x 2680
Horizontal packaging	111 x 46 x 73 2800 x 1160 x 1850
Total shipping weight (Vertical)	~1950 lbs ~885 kg
Total shipping weight (Horizontal)	~2095lbs ~950kg

* Dependent on geographical location and weather

** Wind speed threshold can be adjusted from 5 m/s to 13 m/s (11 mph to 30 mph/17.5 kph to 47 kph)

*** Local standards must be followed

**** Recommendations may vary based on local jurisdiction and soil conditions

SMARTFLOWER TECHNICAL DATA



Catch every last ray of sunlight.

The smart tracking system is the core of SmartFlower's brilliance. Every morning at sunrise, SmartFlower automatically unfolds. The dual-axis system allows SmartFlower's solar panels to follow the sun across the sky throughout the day, always maintaining the optimal 90° angle. This makes SmartFlower produce up to 40% more power than a conventional solar system and capable of producing up to 6,500 kWh/year, depending on your location.



Simple.

Control your SmartFlower and monitor your energy production from the comfort of your phone with our remote monitoring app.



Independent.

Self-cleaning and convection cooling keep SmartFlower running at maximum efficiency.



Efficient.

Our certified SmartFlower technicians can set it up in just a few hours, providing you with immediate energy independence.



Elegant.

Unique and powerful features packaged in an award-winning design.

PROMO VIDEOS





**TW CONSULTING
& TRADE LTD.**

Wolfgang Tweraser

CEO/President

Tel EU: +356 9942 9829

Tel UAE: +971 50 209 3055

wolfgang@twctmt.com

www.twctmt.com