



CUSTOM SITE SOLUTIONS

YOUR CREATIVITY + OUR EXPERTISE = IMAGINATION BECOMES REALITY

*Over 78 Years
Experience*



DREAM AWAY IN CONCRETE

At Reading Rock, we believe **design shouldn't be limited** by what's "standard." From aesthetic to structural, our concrete solutions allow you to create the exact look and feel you envision.

ONE SOLUTION ENDLESS POSSIBILITIES



SITE FURNISHINGS

Benches, Planters, Bollards, Chairs



CUSTOM PAVERS

Plank, Slab, Unique Designs, ADA Options



STRUCTURAL ELEMENTS

Pergola Supports, Entrance Monuments



INFRASTRUCTURE NEEDS

Light Pole Bases, Stanchions, Curbs, Catch Basins, Barriers, AC Pads, Pull Boxes, Tree Monuments



SEAMLESS
Site Integration



CUSTOM MADE
to Your Specs



COLOR FLEXIBILITY
Standard or Color Match

PERFECTION IN EVERY PROJECT



SEE OUR GALLERY
SCAN HERE

ENGINEERED TO MEET
ASTM C936 SPECIFICATIONS



BROAD ST. & I-71 OVERPASS
Columbus, OH



TOWN BRANCH COMMONS
Lexington, KY



SCIOTO MILE RIVERFRONT
Columbus, OH



POP TOP MONUMENT
Dayton, OH



CAPTAIN JEFF KUSS USMC MEMORIAL
Smyrna, TN



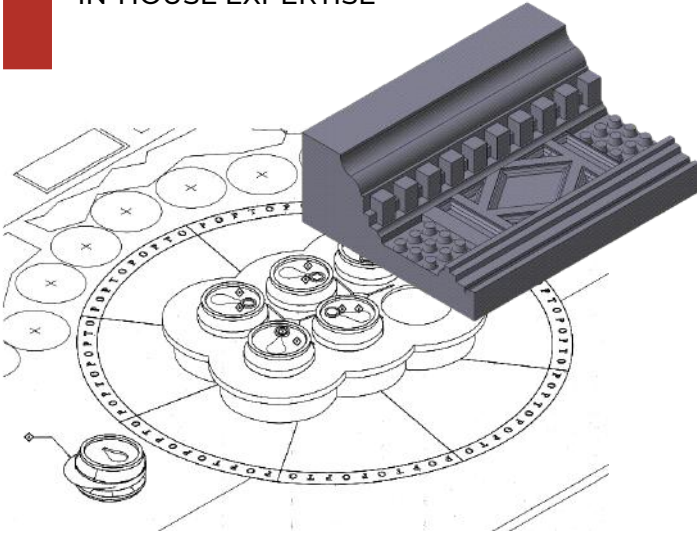
CENTRAL STATE UNIVERSITY
Wilberforce, OH

OUR PROCESS

Quality at Every Step

1 From Concept to CAD

IN-HOUSE EXPERTISE



Our in-house design team brings your vision to life. Backed by expert engineering in anchoring, tie-backs, and installation essentials, we remove the guesswork and keep your project moving.

2 Precision Mold Creation

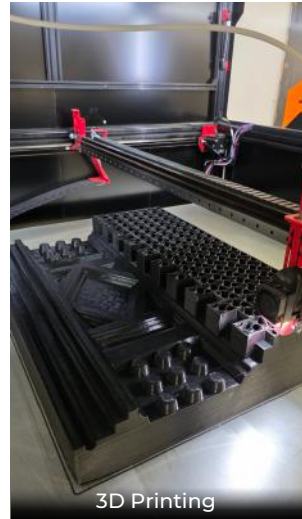
NO DETAIL MISSED



5 Axis Wood Carving CNC



7-Axis Foam Cutting



3D Printing

We craft molds in wood, rubber, fiberglass, foam, plastic, and steel—built for any project, any detail, bringing even the boldest ideas to life.

3 Engineered Excellence

QUALITY THAT SETS US APART

Every step is built around quality. With NPCA certified facilities and CSI certified cast stone, we deliver products that meet the highest standards every time. Need reinforced structures? No problem!



OUR PRODUCT

ENGINEERED TO PERFORM

Choose from our standard palette or let us custom match your design.



RIESLING



CHARLOTTE TAN



STARBUCK



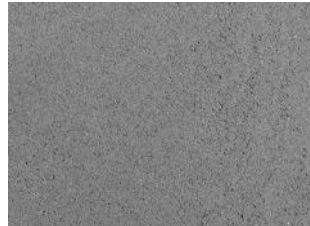
GREY WHISP



CRYSTAL WHITE



BUFFSTONE



SILVER



SMOKEHOUSE

Concrete Solutions that Deliver

Your designs deserve products built to last

TEST PARAMETER	ASTM TEST STANDARD	SERIES PERFORMANCE
Density (lbs per cu.ft.)	C140	>120 pcf
Compressive Strength	C1194	>6,500 psi
Absorption	C1195	<6%
Linear Shrinkage	C426	<0.065%
Freeze-Thaw Resistance	C666	<5%
Air Content	C173/C231	4-8%

Design with Confidence

AIR ENTRAINMENT AND FREEZE-THAW PROTECTION

What Are Those Small “Holes”?

They result from intentional air entrainment where tiny air pockets relieve pressure during freeze-thaw cycles.

Why Air Entrainment Matters

This built-in protection helps prevent cracking and surface spalling. For Cast Stone made with slump concrete, air entrainment is essential, and that subtle texture is proof of engineered durability. It's protection you can see, and durability you can trust.





ABOUT US

THE RIGHT SOLUTION FOR OVER 78 YEARS

Our Legacy of Quality

Since 1947, Reading Rock has been driven by a passion for manufacturing quality building materials and delivering exceptional service. What began as a small block manufacturing operation has grown into a trusted leader in the industry.

Expanding Our Solutions

Today, Reading Rock is recognized for providing a comprehensive range of products and services, including hardscapes, architectural stone, brick, thin veneer, CMU, and hearth solutions.

Driven by Innovation

At Reading Rock, we never stop refining our processes to ensure we exceed expectations. With state-of-the-art technology, certified technicians, in-house LEED® APs and GAs, and experienced engineers, we're equipped to deliver excellence every time.



Our Purpose

Our purpose is to help support and finance the initiatives of the International Rett Syndrome Foundation. Every one of our customers and every associate plays a meaningful role in supporting those who cannot help themselves.

Making an Impact

To learn more about Rett syndrome and the profound challenges it presents for families, please [visit rettsyndrome.org](http://www.rettsyndrome.org). The International Rett Syndrome Foundation is committed to accelerating full-spectrum research aimed at curing Rett syndrome, while empowering families through information, knowledge, and vital connections.



CALL US

800.482.6466



VISIT US ONLINE

READINGROCK.COM/CSS-HS

LEARN MORE

SCAN HERE

