

QUICK SHIP PRODUCT GUIDE

OAKSTREETMFG.COM

(877) 465-4344



Table Tops - Quick Ship

The Oak Street Advantage

Oak Street leads the industry with research and development. Always expanding our product lines and options. We have strong partnerships with international suppliers to offer high-quality, consistent products at an affordable price and with minimal supply shortages. Oak Street strives to provide trending and traditional offerings to cater to all.

Oak Street also firmly believes in innovation, advancing technology and automation, which increases and improves our manufacturing capabilities and product offerings while reducing costs. This allows Oak Street more quick ship options that are Made in the USA - right in the Midwest - for a nationwide shipping presence.

Our quick ship table tops boast:

- 10+ quick ship table top styles with 20+ color options
- 20 common size offerings
- Multiple thicknesses choices
- Many complementing 'made to order' table top options to fill non-common quick ship sizing needs

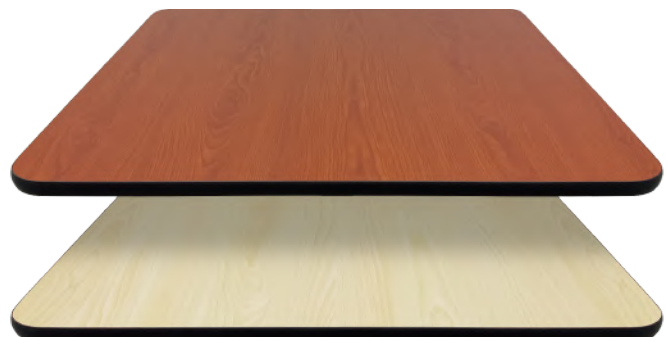
Urban



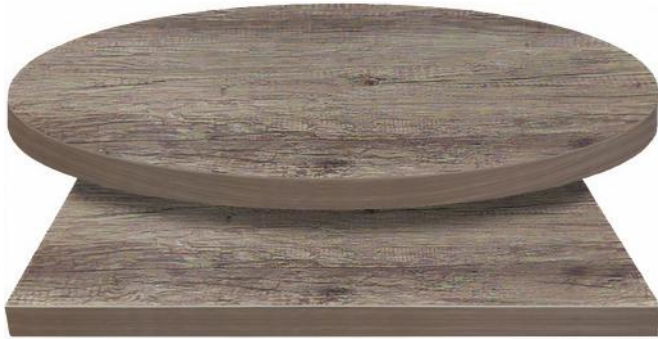
Two Sided



Woodland 



Weathered Barnwood



Natural Heartwood



Onyx



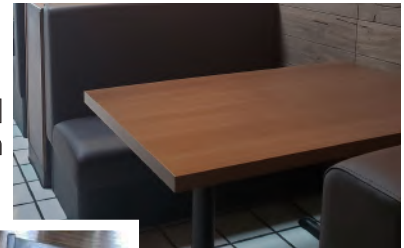
Toasted Birch



Vintage Autumn



Toasted Birch



Weathered Barnwood



2" overall thickness

Thermally fused laminate on both sides

Features coordinating 2mm PVC edge

For indoor use only

All tops boxed

Table tops over 48" subject to a crate fee per pallet (fee/service optional on 3rd party shipments)

Table Size	Vintage Autumn Part #	Natural Heartwood Part #	Onyx Part #	Weathered Barnwood Part #	Toasted Birch Part #	Approx. Weight
24" x 24"	UB2424-VA	UB2424-NH	UB2424-ON	UB2424-WB	UB2424-TB	21 lbs
24" x 30"	UB2430-VA	UB2430-NH	UB2430-ON	UB2430-WB	UB2430-TB	27 lbs
30" x 30"	UB3030-VA	UB3030-NH	UB3030-ON	UB3030-WB	UB3030-TB	33 lbs
30" x 42"	UB3042-VA	UB3042-NH	UB3042-ON	UB3042-WB	UB3042-TB	46 lbs
30" x 48"	UB3048-VA	UB3048-NH	UB3048-ON	UB3048-WB	UB3048-TB	53 lbs
30" x 60"	UB3060-VA	UB3060-NH	UB3060-ON	UB3060-WB	UB3060-TB	66 lbs
30" x 72"	UB3072-VA	UB3072-NH	UB3072-ON	UB3072-WB	UB3072-TB	79 lbs
36" x 36"	UB3636-VA	UB3636-NH	UB3636-ON	UB3636-WB	UB3636-TB	48 lbs
24" Round	UB24R-VA	UB24R-NH	UB24R-ON	UB24R-WB	UB24R-TB	17 lbs
30" Round	UB30R-VA	UB30R-NH	UB30R-ON	UB30R-WB	UB30R-TB	26 lbs
36" Round	UB36R-VA	UB36R-NH	UB36R-ON	UB36R-WB	UB36R-TB	38 lbs

Woodland



*The look & feel of solid wood
at a fraction of the price!*

Clear Coat



Dark Walnut



Table Size	Clear Coat Part #	Dark Walnut Part #	Approx. Weight
24" x 24"	WDL2424-OCC	WDL2424-ODW	15 lbs
24" x 30"	WDL2430-OCC	WDL2430-ODW	18 lbs
30" x 30"	WDL3030-OCC	WDL3030-ODW	22 lbs
30" x 42"	WDL3042-OCC	WDL3042-ODW	31 lbs
30" x 48"	WDL3048-OCC	WDL3048-ODW	36 lbs
30" x 60"	WDL3060-OCC	WDL3060-ODW	44 lbs
30" x 72"	WDL3072-OCC	WDL3072-ODW	53 lbs
36" x 36"	WDL3636-OCC	WDL3636-ODW	32 lbs

- 1" red oak faced table top finished with a 1-5/8" solid wood dropped edge
- Stocked sizes available in Clear Coat or Dark Walnut
 - Non-stocked sizes and any in-house stain option available made-to-order
- For indoor use only
- All tops boxed

ADDITIONAL INFORMATION

- Non-standard sizes carry a setup fee per size
- Orders with less than 4 tops incur a small order fee
- Pre-drilled tops for Oak Street bases available for an upcharge per table
- Table tops over 48" subject to a crate fee per pallet (fee/service optional on 3rd party shipments)



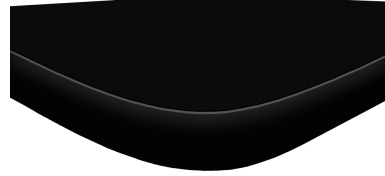
Due to the nature of the product, clear coats may experience some discoloration over time.



Mahogany/Black - Black T-Mold



Black T-Mold used for Mahogany/Black & Cherry/Natural



Brown T-Mold used for Oak/Walnut



- 1" thick, 45 lb industrial grade particle board
- Thermally fused melamine on both sides
- Edged with 2mm high quality extruded rubber t-mold
- 3" radius corners standard on non-round tops
- CARB-Compliant Phase 2 in California
- For indoor use only | All tops boxed

Oak/Walnut - Brown T-Mold



ADDITIONAL INFORMATION

- Non-standard sizes carry a setup fee per size
- Orders with less than 4 tops incur a small order fee
- Pre-drilled tops for Oak Street bases available for an upcharge per table
- Table tops over 48" subject to a crate fee per pallet (fee/service optional on 3rd party shipments)

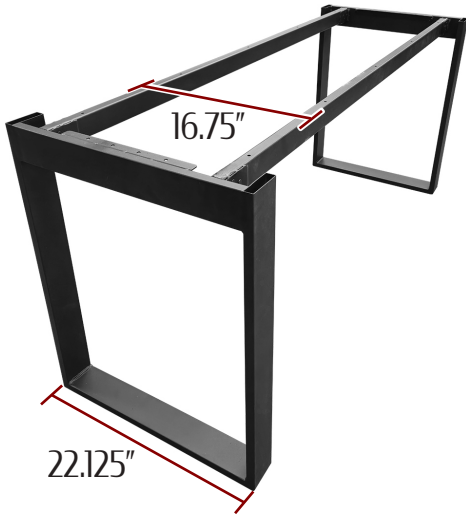
Cherry/Natural - Black T-Mold



Table Size	Mahogany/Black Part #	Oak/Walnut Part #	Cherry/Natural Part #	Approx. Weight
18" x 18"			CN1818	9 lbs
24" x 24"	MB2424	OW2424		15 lbs
24" x 30"	MB2430	OW2430		19 lbs
24" x 42"	MB2442	OW2442		26 lbs
30" x 30"	MB3030	OW3030		24 lbs
30" x 42"	MB3042	OW3042	CN3042	33 lbs
30" x 48"	MB3048	OW3048		37 lbs
30" x 60"	MB3060	OW3060	CN3060	47 lbs
30" x 72"	MB3072	OW3072	CN3072	56 lbs
36" x 36"	MB3636	OW3636		34 lbs
42" x 42"	MB4242	OW4242		46 lbs
48" x 48"	MB4848	OW4848		60 lbs
24" Round	MB24R	OW24R	CN24R	12 lbs
30" Round	MB30R	OW30R	CN30R	19 lbs
36" Round	MB36R	OW36R		27 lbs
42" Round	MB42R	OW42R	CN42R	36 lbs
48" Round	MB48R	OW48R		47 lbs
60" Round	MB60R	OW60R	OB60R (Oak/Black)	73 lbs
36" x 36" Flip to 51" Round	MB3636FLIP51BLK			60 lbs
36" x 36" Flip to 51" Round	MB3636FLIP51MH			60 lbs

Square Frame Community Table Base

*** Quick Ship ***



Square Frame Community Table Base shown with Woodland Table Top with Clear Coat finish

- 16 gauge 1.6mm tubular steel
- Designed for 30" x 72" table tops (base is 70" in length)
- Dining height only
- Ships knockdown to save on freight! Simple base assembly - leg frames attach to main frame via a block joint connection - only a rubber hammer is needed, no bolting or screwing!
- Table top (sold separately) attaches to base in both leg frames and main frame for added stability (screws included with table top purchase)
- Adjustable non-marring glides
- Leg dimensions: 3" x 0.75" x 22.125" W x 28.25" H (overall height of base)
- Shipping weight: 30 lbs



Square Frame Community Table Base shown with Woodland Table Top with Dark Walnut stain



Square Frame Community Table Base shown with Urban Table Top with Weathered Barnwood laminate



Square Frame Community Table Base shown with Urban Table Top with Natural Heartwood laminate



Square Frame Community Table Base shown with Urban Table Top with Onyx laminate



Square Frame Community Table Base shown with Urban Table Top with Toasted Birch laminate



Square Frame Community Table Base shown with Urban Table Top with Vintage Autumn laminate

A-Frame Community Table Base

*** Quick Ship ***

Table Bases



A-Frame Community Table Base shown with Urban Table Top with Vintage Autumn laminate

- 16 gauge 1.6mm tubular steel
- Designed for 30" x 72" table tops (base is 70" in length)
- Dining height only
- Ships knockdown to save on freight! Simple base assembly - leg frames attach to main frame via a block joint connection - only a rubber hammer is needed, no bolting or screwing!
- Table top (sold separately) attaches to base in both leg frames and main frame for added stability (screws included with table top purchase)
- Adjustable non-marring glides
- Leg dimensions: 2" x 1" x 24" W x 28.25" H (overall height of base)
- Shipping weight: 30 lbs



A-Frame Community Table Base shown with Urban Table Top with Toasted Birch laminate



A-Frame Community Table Base shown with Urban Table Top with Onyx laminate



A-Frame Community Table Base shown with Urban Table Top with Weathered Barnwood laminate



A-Frame Community Table Base shown with Urban Table Top with Natural Heartwood laminate



A-Frame Community Table Base shown with Woodland Table Top with Clear Coat finish



A-Frame Community Table Base shown with Woodland Table Top with Dark Walnut stain

A-Frame Community Table Base

Black Stamped Steel Table Base

- Constructed of stamped steel for unparalleled strength & stability
 - Superior to cast iron table bases in that stamped steel will not fracture under heavier weights
- Easy two-piece labor saver design for quick assembly or three-piece assembly (tube/spider to base) for reduced shipping costs
 - Oak Street uses a short bolt to screw into a welded anchor plate - a much improved method than competitors, which use a long rod that will torque & stretch when force is applied - making it permanently loose
- Spider is attached to the tube using the 2 short bolts welded onto the tube
 - Spider dimensions: 11" x 11" - 15" diagonally
 - Oak Street's spiders are bigger than most competitor's spiders - providing additional strength & durability
- Standard height finishes at 30" with table top attached; Bar height finishes at 42" with table top attached



Description	Part #	Weight
22" x 22" cross base with 3" standard height tube	B22-STD	16 lbs
22" x 22" cross base with 3" counter height tube	B22-CTR	17 lbs
22" x 22" cross base with 3" bar height tube	B22-BAR	17 lbs
22" x 22" cross base with 4" standard height tube	B22-4-STD	20 lbs
22" x 22" cross base with 4" bar height tube	B22-4-BAR	24 lbs
22" x 30" cross base with 3" standard height tube	B2230-STD	23 lbs
22" x 30" cross base with 3" counter height tube	B2230-CTR	24 lbs
22" x 30" cross base with 3" bar height tube	B2230-BAR	24 lbs
22" x 30" cross base with 4" standard height tube	B2230-4-STD	24 lbs
22" x 30" cross base with 4" bar height tube	B2230-4-BAR	25 lbs
27.5" x 27.5" cross base with adjustable height tube	B27-ADJ	18 lbs
30" x 30" cross base with 3" standard height tube	B30-STD	24 lbs
30" x 30" cross base with 3" counter height tube	B30-CTR	25 lbs
30" x 30" cross base with 3" bar height tube	B30-BAR	25 lbs
30" x 30" cross base with 4" standard height tube	B30-4-STD	25 lbs
30" x 30" cross base with 4" bar height tube	B30-4-BAR	26 lbs
36" x 36" cross base with 4" standard height tube	B36-4-STD	30 lbs
36" x 36" cross base with 4" bar height tube	B36-4-BAR	32 lbs
40" x 40" cross base with 4" standard height tube	B40-4-STD	35 lbs
40" x 40" cross base with 4" bar height tube	B40-4-BAR	37 lbs
5" x 22" t-base with 3" standard height tube	B522-STD	16 lbs
5" x 22" t-base with 3" ADA standard height tube	B522-ADA	17 lbs
5" x 22" t-base with 3" counter height tube	B522-CTR	17 lbs
5" x 22" t-base with 3" bar height tube	B522-BAR	17 lbs
5" x 22" t-base with 4" standard height tube	B522-4-STD	18 lbs
5" x 22" t-base with 4" bar height tube	B522-4-BAR	21 lbs
5" x 30" t-base with 4" standard height tube	B530-4-STD	24 lbs
5" x 30" t-base with 4" bar height tube	B530-4-BAR	25 lbs
18" disc base with 3" standard height tube	B18DISC-STD	27 lbs
18" disc base with 3" counter height tube	B18DISC-CTR	28 lbs
18" disc base with 3" bar height tube	B18DISC-BAR	28 lbs
18" disc base with 4" standard height tube	B18DISC-4-STD	29 lbs
18" disc base with 4" bar height tube	B18DISC-4-BAR	30 lbs
22" disc base with 3" standard height tube	B22DISC-STD	38 lbs
22" disc base with 3" counter height tube	B22DISC-CTR	39 lbs
22" disc base with 3" bar height tube	B22DISC-BAR	39 lbs
22" disc base with 4" standard height tube	B22DISC-4-STD	40 lbs
22" disc base with 4" bar height tube	B22DISC-4-BAR	41 lbs
30" disc base with 4" standard height tube	B30DISC-4-STD	66 lbs
30" disc base with 4" bar height tube	B30DISC-4-BAR	68 lbs



Suggested base applications shown on pg. 12 - 13

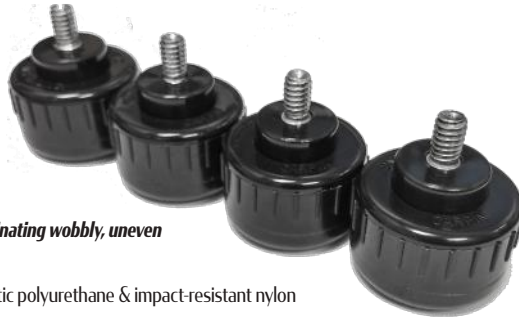
Chrome Plated Stamped Steel Table Base

Table Bases

- Constructed of chrome-plated stamped steel for unparalleled strength & stability
 - Superior to cast iron table bases in that stamped steel will not fracture under heavier weights
- Easy three-piece assembly (spider to tube to base) for reduced shipping costs
 - Oak Street uses a short bolt to screw into a welded anchor plate - a much improved method than competitors, which use a long rod that will torque & stretch when force is applied - making it permanently loose
- Spider dimensions: 11" x 11" - 15" diagonally
 - Oak Street's spiders are bigger than most competitor's spiders - providing additional strength & durability
- Standard height finishes at 30" with table top attached;
Bar height finishes at 42" with table top attached
- For indoor use only

Suggested base applications shown on pg. 12 - 13

Self-Leveling Base Glides
Part #: BL522-SL



- Completely dry, with no messy oils or putty
- **Automatically stabilize, balance & level - eliminating wobbly, uneven tables!**
- Constructed of heavy-duty steel, thermoplastic polyurethane & impact-resistant nylon



Chrome Plated Stamped Steel Table Base

Description	Part #	Approx. Weight
22" x 22" cross base with 3" standard height tube	B22CHR-STD	16 lbs
22" x 22" cross base with 3" bar height tube	B22CHR-BAR	17 lbs
22" x 22" cross base with 4" standard height tube	B22CHR-4-STD	20 lbs
22" x 22" cross base with 4" bar height tube	B22CHR-4-BAR	24 lbs
22" x 30" cross base with 3" standard height tube	B2230CHR-STD	23 lbs
22" x 30" cross base with 3" bar height tube	B2230CHR-BAR	24 lbs
22" x 30" cross base with 4" standard height tube	B2230CHR-4-STD	24 lbs
22" x 30" cross base with 4" bar height tube	B2230CHR-4-BAR	25 lbs
30" x 30" cross base with 3" standard height tube	B30CHR-STD	26 lbs
30" x 30" cross base with 3" bar height tube	B30CHR-BAR	27 lbs
30" x 30" cross base with 4" standard height tube	B30CHR-4-STD	27 lbs
30" x 30" cross base with 4" bar height tube	B30CHR-4-BAR	28 lbs
36" x 36" cross base with 4" standard height tube	B36CHR-4-STD	30 lbs
36" x 36" cross base with 4" bar height tube	B36CHR-4-BAR	32 lbs
5" x 22" t-base with 3" standard height tube	B522CHR-STD	16 lbs
5" x 22" t-base with 3" bar height tube	B522CHR-BAR	17 lbs
5" x 22" t-base with 4" standard height tube	B522CHR-4-STD	18 lbs
5" x 22" t-base with 4" bar height tube	B522CHR-4-BAR	21 lbs
18" disc base with 3" standard height tube	B18DISC-CHR-STD	27 lbs
18" disc base with 3" bar height tube	B18DISC-CHR-BAR	28 lbs
18" disc base with 4" standard height tube	B18DISC-CHR-4-STD	29 lbs
18" disc base with 4" bar height tube	B18DISC-CHR-4-BAR	30 lbs
22" disc base with 3" standard height tube	B22DISC-CHR-STD	38 lbs
22" disc base with 3" bar height tube	B22DISC-CHR-BAR	39 lbs
22" disc base with 4" standard height tube	B22DISC-CHR-4-STD	40 lbs
22" disc base with 4" bar height tube	B22DISC-CHR-4-BAR	41 lbs
30" disc base with 4" standard height tube	B30DISC-CHR-4-STD	66 lbs
30" disc base with 4" bar height tube	B30DISC-CHR-4-BAR	68 lbs

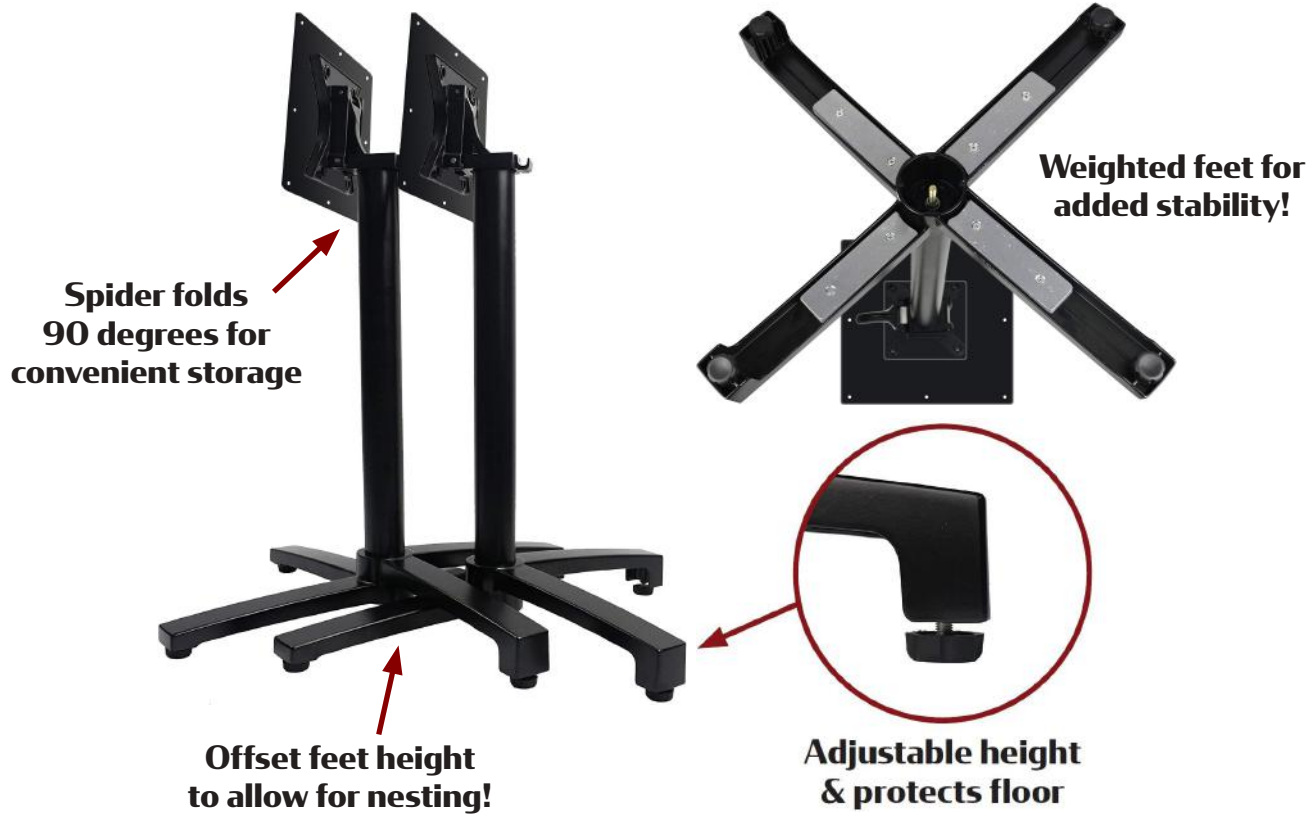
Folding Table Base



B2626F-STD Specifications	
Weight	19 lbs
Height	28.5"
Depth	26"
Broad	26"

To be used with:
24" x 30"
30" x 30"
table tops

B2626F-BAR Specifications	
Weight	20 lbs
Height	42.5"
Depth	26"
Broad	26"





To be used with:
30" x 48"
table tops

B3023F-STD Specifications	
Weight	27 lbs
Height	28.5"
Depth	30.75"
Broad	23.75"



To be used with:
36" x 36"
table tops

B1936F-STD Specifications	
Weight	28 lbs
Height	28.5"
Depth	19.75"
Broad	36.75"

- Aluminum construction with black powder coat finish
- Steel spider with p-lock folding system
- Spider dimensions: 11-3/4" x 11-3/4" - 16" diagonally
- Cast iron weights inside feet for added stability
- Adjustable non-marring glides
- **For indoor or outdoor use!**

Size	Part #	Approx. Weight
19" x 36" - Standard height	B1936F-STD	28 lbs
26" x 26" - Standard height	B2626F-STD	19 lbs
26" x 26" - Bar height	B2626F-BAR	20 lbs
30" x 23" - Standard height	B3023F-STD	27 lbs

Suggested Applications

● Standard Height Applications ● Bar Height Applications

	24" Rnd	24" x 24"	24" x 30"	24" x 36"	24" x 42"	24" x 48"	24" x 60"	24" x 72"	30" Rnd	30" x 30"	30" x 36"	30" x 42"	30" x 48"	30" x 60"
B18DISC-STD / B18DISC-CHR-STD	●	●	●						●	●				
B18DISC-BAR / B18DISC-CHR-STD	●	●	●											
(2) B18DISC-STD / (2) B18DISC-CHR-STD							●	●						
B22DISC-STD / B22DISC-CHR-STD				●	●	●			●	●	●	●	●	
(2) B22DISC-STD / (2) B22DISC-CHR-STD														●
(3) B22DISC-STD / (3) B22DISC-CHR-STD														
B22DISC-BAR / B22DISC-CHR-BAR				●	●	●			●	●	●	●	●	
(2) B22DISC-BAR / (2) B22DISC-CHR-BAR							●	●						●
B30DISC-STD / B30DISC-CHR-STD														
(2) B30DISC-STD / (2) B30DISC-CHR-STD														
B30DISC-BAR / B30DISC-CHR-BAR														
(2) B30DISC-BAR / (2) B30DISC-CHR-BAR														
(3) B30DISC-BAR / (3) B30DISC-CHR-BAR														
B22-STD / B2626F-STD / B22CHR-STD	●	●	●						●	●				
B22-BAR / B2626F-BAR / B22CHR-BAR	●	●	●											
B2230-STD / B2230CHR-STD				●	●	●					●	●	●	
B2230-BAR / B2230CHR-BAR				●	●	●								
B30-STD / B30CHR-STD														
B30-BAR / B30CHR-BAR									●	●	●	●	●	
B36-4-STD / B36CHR-4-STD														
B36-4-BAR / B36CHR-4-BAR														
B40-4-STD / B40-4-BAR														
(2) B522-STD / (2) B522CHR-STD							●	●						●
(3) B522-STD / (3) B522CHR-STD														
(2) B522-BAR / (2) B522CHR-BAR							●	●						
(2) B530-STD / B3023F-STD / (2) B530-BAR														●
(3) B530-STD / (3) B530-BAR														

Suggested Applications

● Standard Height Applications ● Bar Height Applications

30" x 72"	30" x 96"	36" Rnd	36" x 36"	36" x 48"	36" x 60"	36" x 72"	36" x 96"	42" Rnd	42" x 42"	42" x 48"	42" x 60"	42" x 72"	42" x 96"	48" Rnd	48" x 48"	60" Rnd	
			●	● ● ●	●												
	●						●					●					
		●						●					●				
							●		●	●	●	●			●	●	●
			●	●	●	●			●	●	●	●			●	●	●
	●							●					●				
		●												●			
			●	●	●												
									●	●	●						
			●	●	●												
									●	●	●						
	●																
		●															
	●						● ●	● ●					● ●				
		●															
	●						● ●						● ●				
		●						● ●						● ●			

Bolt Down Table Base

- Bolt down bases constructed of mild steel
 - Available in black sandtex or chrome-plated finishes
 - Labor saver tube & spider
 - Anchoring hardware is not supplied
- Black finish: spider is welded to the tube for added strength
 Chrome finish: spider is bolted down to the tube
 - Spider dimensions (black & chrome):
 3" tubes: 8" x 8" - 11" diagonally | 4" tubes: 11" x 11" - 15" diagonally
 - Oak Street's spiders are bigger than most competitor's spiders - providing additional strength & durability
- Standard height finishes at 29-3/4" with table top attached
 Bar height finishes at 39-3/4" with table top attached
- Bolt down bases should not be spaced more than 36" apart
- Bolt down bases are warranted for all Oak Street tops, excluding granite and/or tops that are oversized & more than 6 lbs/ft²
- Each bolt down base includes tube, spider, mounting plate, & cover plate



	Part #	Approx. Weight
Standard height bolt down base with 3" tube - Black	BDB-STD	10 lbs
Bar height bolt down base with 3" tube - Black	BDB-BAR	12 lbs
Standard height bolt down base with 4" tube - Black	BDB-4-STD	12 lbs
Bar height bolt down base with 4" tube - Black	BDB-4-BAR	14 lbs
Standard height bolt down base with 3" tube - Chrome	BDB-CHR-STD	10 lbs
Bar height bolt down base with 3" tube - Chrome	BDB-CHR-BAR	12 lbs



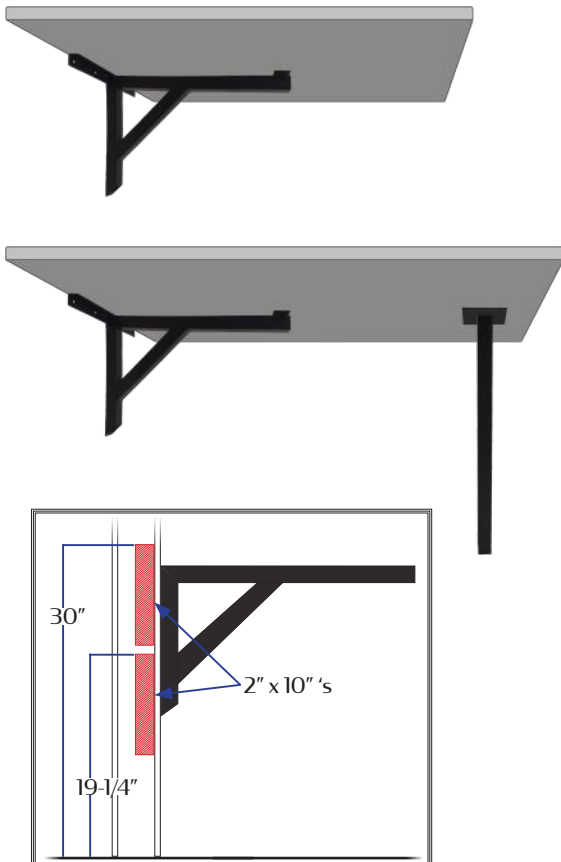
Grout In Table Base

- Constructed of 11 gauge mild steel
- Available in gloss black powder coat finish
- 3" tube
- Movable escutcheon plate for ease of installation
- Standard height finishes at 30" with table top attached | Bar height finishes at 42" with table top attached
- Spider dimensions: 10-1/2" x 10-1/2" - 15" diagonally
- Grout In bases are warranted for all Oak Street tops, excluding granite and/or tops that are oversized & more than 6 lbs/ft²

	Part #	Approx. Weight
Standard height grout in base with 3" tube	B70709	10 lbs
Bar height grout in base with 3" tube	B70710	12 lbs



Cantilever Table Base



- Constructed of 11 gauge steel with matte black finish
- Requires reinforced wall (shown below left)
- Screws & bolts not included
- 4 drill holes for wall attachment | 4 drill holes each at each end of base for table top attachment
- 21" cantilever
 - Minimum table top length: 24"
 - Maximum table top length: 30" - 27.5" cantilever is recommended for table tops 30" +
 - Minimum table top width: 24"
 - Maximum table top width: 36"
- 27.5" cantilever
 - Minimum table top length: 30"
 - Maximum table top length: 48" - longer table tops require pin leg at opposite side of wall
 - Minimum table top width: 24"
 - Maximum table top width: 36"

Description	Part #	Approx. Weight
27.5" Cantilever wall mount base	CANTILEVER-PREMIUM	10 lbs
21" Cantilever wall mount base	CANTILEVER-21"	8 lbs
3" standard height pin leg	B3PIN	10 lbs
2" square standard height pin leg	SSB-PIN	8 lbs
2" square bar height pin leg	SSB-PIN-BAR	10 lbs

Footrings / Purse Hooks



SSBFOOTRING 3"



SSBFOOTRING 3" ADJ



SSBFOOTRING 4" ADJ



SSBFOOTRING 4"

Description	Part #	Approx. Weight
3" footing for bar height table bases - Black rung	SSBFOOTRING 3"	13 lbs
3" adjustable footing for bar height table bases	SSBFOOTRING 3" ADJ	14 lbs
4" footing for bar height table bases - Black rung	SSBFOOTRING 4"	15 lbs
4" adjustable footing for bar height table bases	SSBFOOTRING 4" ADJ	16 lbs
Purse hook for 3" base tubes only	PH722	2 lbs



PH722

- BFOOTRING 3"**
- Tube diameter (inside): 3-1/8"
 - Rung diameter: Inside - 16"
Outside - 17-7/8"
 - Overall height: 9-1/2"
Tube height: 7"

- BFOOTRING 3" ADJ**
- Tube diameter (inside): 3-1/8"
 - Rung diameter: Inside - 15-7/8"
Outside - 17-3/4"
 - Overall height: 2-3/16"
Tube height: 2-3/16"

- BFOOTRING 4"**
- Tube diameter (inside): 4-1/8"
 - Rung diameter: Inside - 16-1/4"
Outside - 18-1/8"
 - Overall height: 9-1/4"
Tube height: 6-3/4"

- BFOOTRING 4" ADJ**
- Tube diameter (inside): 4-3/16"
 - Rung diameter: Inside - 20-3/8"
Outside - 22-3/8"
 - Overall height: 5-7/16"
Tube height: 2-3/4"



Shown with:
BFOOTRING 3" &
Backwoods - Smoked Oak laminate
with B30-BAR table base



Shown with:
BFOOTRING 4" &
Woodland - Clear Coat finish
with B22DISC-4-BAR table base

Description	Black Part #	Chrome Part #	Approx. Weight
Pre-drilled table top for base placement	PRE DRILL	PRE DRILL	
5" x 22" t-base FOOT ONLY	SSB522	SSB522-CHR	8 lbs
5" x 30" t-base FOOT ONLY	SSB530		10 lbs
22" x 22" cross base FOOT ONLY	SSB22	SSB22-CHR	13 lbs
22" x 30" cross base FOOT ONLY	SSB2230	SSB2230-CHR	17 lbs
30" x 30" cross base FOOT ONLY	SSB30	SSB30-CHR	18 lbs
36" x 36" cross base FOOT ONLY	SSB36	SSB36-CHR	21 lbs
40" x 40" cross base FOOT ONLY	SSB40		23 lbs
18" disc base FOOT ONLY	SSB18DISC	SSB18DISC-CHR	21 lbs
22" disc base FOOT ONLY	SSB22DISC	SSB22DISC-CHR	32 lbs
30" disc base FOOT ONLY	SSB30DISC	SSB30DISC-CHR	57 lbs
3" standard height 2-piece tube/spider	SSB3-STD		6 lbs
3" bar height 2-piece tube/spider	SSB3-BAR		7 lbs
3" standard height labor saver tube/spider	SSBLS3-STD	SSBLS3-CHR-STD	6 lbs
3" ADA standard height labor saver tube/spider	SSBLS3-ADA		10 lbs
3" adjustable height labor saver tube/spider	SSBLS3-ADJ		12 lbs
3" counter height labor saver tube/spider	SSBLS3-CTR		7 lbs
3" bar height labor saver tube/spider	SSBLS3-BAR	SSBLS3-CHR-BAR	7 lbs
4" standard height 2-piece tube/spider	SSB4-STD		9 lbs
4" bar height 2-piece tube/spider	SSB4-BAR		11 lbs
4" standard height labor saver tube/spider	SSBLS4-STD	SSBLS4-CHR-STD	9 lbs
4" bar height labor saver tube/spider	SSBLS4-BAR	SSBLS4-CHR-BAR	11 lbs
Self-leveling table base glides	BL522-SL		
Superlevel™ self-leveling table base glides	BL522-SSL		
Nylon table base levelers	BL522-NL		
Metal table base levelers	BL522-ML		
Felt table base levelers	BL522-FELT		
5" x 22" OUTDOOR t-base FOOT ONLY	OD-SSB522		8 lbs
22" x 22" OUTDOOR cross base FOOT ONLY	OD-SSB22		13 lbs
22" x 30" OUTDOOR cross base FOOT ONLY	OD-SSB2230		17 lbs
30" x 30" OUTDOOR cross base FOOT ONLY	OD-SSB30		18 lbs
18" OUTDOOR disc base FOOT ONLY	OD-SSB18DISC		21 lbs
22" OUTDOOR disc base FOOT ONLY	OD-SSB22DISC		32 lbs
30" OUTDOOR disc base FOOT ONLY	OD-SSB30DISC		57 lbs
3" standard height OUTDOOR tube/spider with umbrella hole	OD-SSBLS3-STD-UMB-S		6 lbs
3" bar height OUTDOOR tube/spider with umbrella hole	OD-SSBLS3-BAR-UMB-S		7 lbs
4" standard height OUTDOOR tube/spider with umbrella hole	OD-SSBLS4-STD-UMB-S		9 lbs
4" bar height OUTDOOR tube/spider with umbrella hole	OD-SSBLS4-BAR-UMB-S		11 lbs
1-3/4" x 24" umbrella pipe for outdoor disc bases	UP-24-BLK		5 lbs



Seats & Backs

Vinyl Seats



Black Vinyl Seat (-BLK)
(SLSEAT-BLK)



Espresso Vinyl Seat (-ESP)
(SLSEAT-ESP)



Buckskin Vinyl Seat (-BUC)
(SLSEAT-BUC)



Wine Vinyl Seat (-WINE)
(SLSEAT-WINE)



Red Vinyl Seat (-RED)
(SLSEAT-RED)

Unlimited vinyl & upholstery options - call us or visit <http://bit.ly/vinyl-upholstery-fabric>

Vinyl Seat dimensions & weight:
17.375" W x 16.5" D x 2.5" H - 4 lbs

Wood Seats



Black dye w/ stain Seat (-WB)
(SLSEATWOODIMP-BLK)



Walnut stain Seat (-WA)
(SLSEATWOODIMP-WA)



Reclaimed Wood Seat (-RW)
(SLSEATWOODIMP-RECLAIM)



Barnwood Seat (-BW)
(SLSEATWOODIMP-BW)



Natural Clear Coat Seat (-NT)
(SLSEATWOODIMP-NT)



Mahogany stain Seat (-MH)
(SLSEATWOODIMP-MH)



Cherry stain Seat (-CH)
(SLSEATWOODIMP-CH)

Wood Seat dimensions & weight:
17.25" W x 16.625" D x 0.6875" H - 4 lbs

Solid Wood Seats



Walnut stain Seat (-WA)
(CW/BW-SEAT-WA)



Black stain Seat (-BLK)
(CW/BW-SEAT-BLK)



Clear Coat finish Seat (-NT)
(CW/BW-SEAT-NT)



Mahogany stain Seat (-MH)
(CW/BW-SEAT-MH)

Solid Wood Seat dimensions & weight:
17.5" W x 17" D x 0.75" H - 4 lbs

Wood Backs

SHORELINE
Wood Back
Weight: 3 lbs
Height: 8.5"



Cherry (-CH)
(BKT-D BACK-CHERRY)



Mahogany (-MH)
(BKT-D BACK-MAHOGANY)



Natural Clear Coat (-NT)
(BKT-D BACK-NATURAL)



Walnut (-WA)
(BKT-D BACK-WALNUT)



Black (-WB)
(BKT-D BACK-BLACK)

PLAIN
Wood Back
Weight: 3 lbs
Height: 7.75"



Cherry (-CH)
(BKT-C BACK-CHERRY)



Mahogany (-MH)
(BKT-C BACK-MAHOGANY)



Natural Clear Coat (-NT)
(BKT-C BACK-NATURAL)



Walnut (-WA)
(BKT-C BACK-WALNUT)



Black (-WB)
(BKT-C BACK-BLACK)

BULLSEYE
Wood Back
Weight: 3 lbs
Height: 7.75"



Cherry (-CH)
(BKT-A BACK-CHERRY)



Mahogany (-MH)
(BKT-A BACK-MAHOGANY)



Natural Clear Coat (-NT)
(BKT-A BACK-NATURAL)



Walnut (-WA)
(BKT-A BACK-WALNUT)



Black (-WB)
(BKT-A BACK-BLACK)

5 LINE
Wood Back
Weight: 3 lbs
Height: 11.125"



Cherry (-CH)
(BKT-E BACK-CHERRY)



Mahogany (-MH)
(BKT-E BACK-MAHOGANY)



Natural Clear Coat (-NT)
(BKT-E BACK-NATURAL)



Walnut (-WA)
(BKT-E BACK-WALNUT)



Black (-WB)
(BKT-E BACK-BLACK)

Looking for a unique seating option?

Choose from thousands of vinyl/upholstery options offered by:

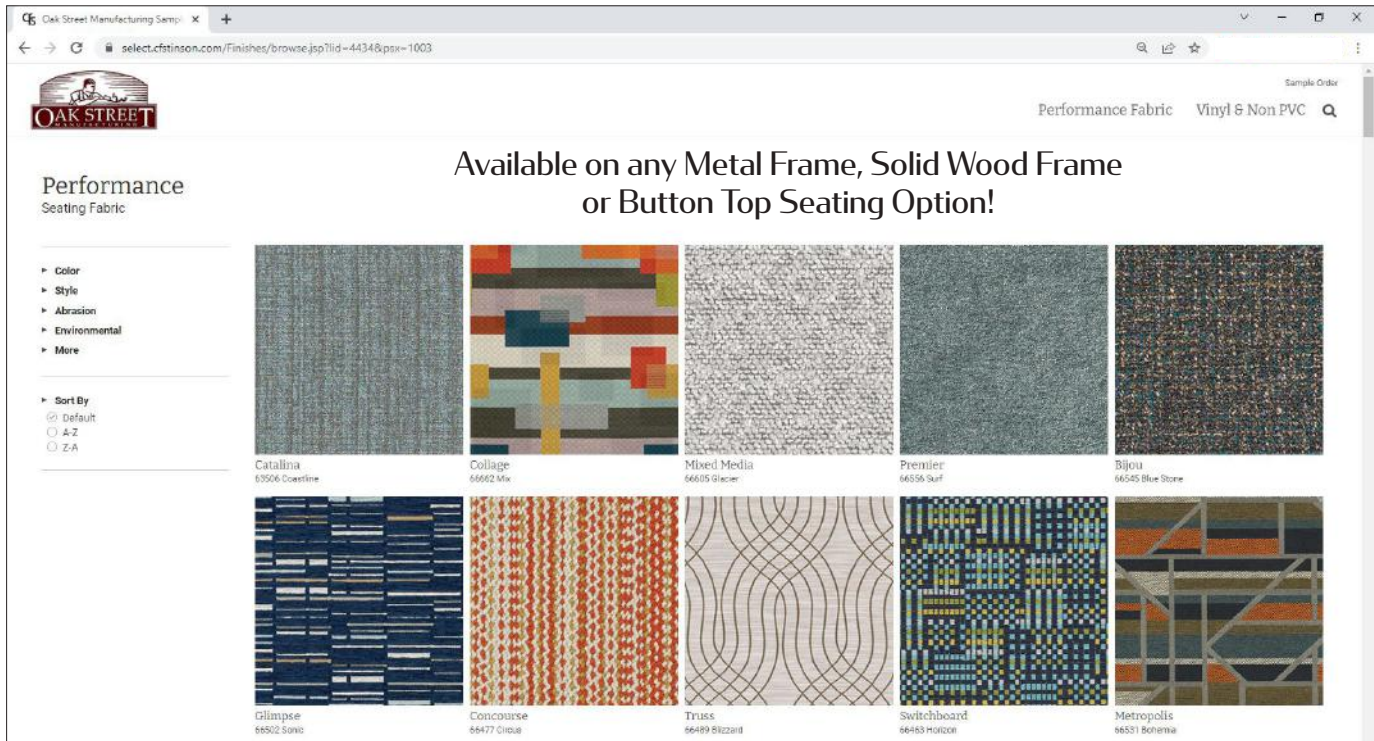
Stinson

OR



DOUGLASS FABRICS

Browse the thousands of options and order complimentary samples by visiting:
bit.ly/vinyl-upholstery-fabric



Ladderback - Standard Metal Frame Chair



CM-234-BUC



CM-234-ESP

CM-234-RED

CM-234-WINE

CM-234-BLK

CM-234-BW

CM-234-CH



CM-234-MH

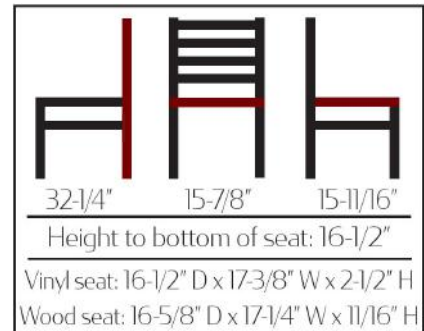
CM-234-NT

CM-234-RW

CM-234-WA

CM-234-WB

- Premium black powder coat finish
- 1.2mm steel frame; 1-1/4" tubing
- 100% mig welded frame
- Standard leg supports
- Non-marring glides (GL234 is standard - other options are available but charged additional)
- Seat ships unattached - simple seat attachment required
- Stackable: No
- Frame load capacity: 300 lbs



Part #: GL2160-CLEAR

Part #: GL234

Part #: GL2160-FELT

Part #: GL2160-WHITE

Custom vinyl or upholstered seat options available. Visit <http://bit.ly/vinyl-upholstery-fabric> for available options!



All spec sheets are available in AutoQuotes or online at www.oakstreetmfg.com

	Standard Ladderback Chair	Approx. Weight
Black Vinyl Seat	CM-234-BLK	15 lbs
Buckskin Vinyl Seat	CM-234-BUC	15 lbs
Espresso Vinyl Seat	CM-234-ESP	15 lbs
Red Vinyl Seat	CM-234-RED	15 lbs
Wine Vinyl Seat	CM-234-WINE	15 lbs
Clear Coat Wood Seat	CM-234-NT	15 lbs
Mahogany Wood Seat	CM-234-MH	15 lbs
Cherry Wood Seat	CM-234-CH	15 lbs
Walnut Wood Seat	CM-234-WA	15 lbs
Black Wood Seat	CM-234-WB	15 lbs
Barnwood Wood Seat	CM-234-BW	15 lbs
Reclaimed Wood Seat	CM-234-RW	15 lbs
Frame Only, Black Glides - No Seat	CM-234-BG-FRAME	11 lbs
Frame Only, Clear Glides - No Seat	CM-234-CG-FRAME	11 lbs
Frame Only, White Glides - No Seat	CM-234-WG-FRAME	11 lbs

Ladderback - Standard Metal Frame Barstool



BM-234-BW



BM-234-CH

BM-234-MH

BM-234-NT

BM-234-RW

BM-234-WA

BM-234-WB



BM-234-BLK

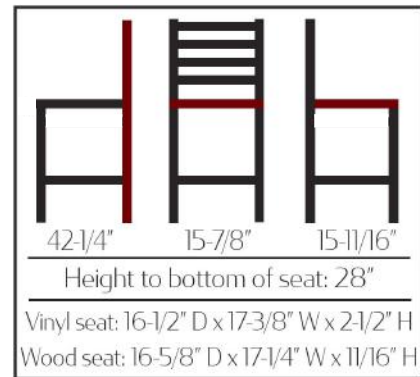
BM-234-BUC

BM-234-ESP

BM-234-RED

BM-234-WINE

- Premium black powder coat finish
- 1.2mm steel frame; 1-1/4" tubing
- 100% mig welded frame
- Standard leg supports
- Non-marring glides (GL234 is standard - other options are available but charged additional)
- Seat ships unattached - simple seat attachment required
- Stackable: No
- Frame load capacity: 300 lbs



Custom vinyl or upholstered seat options available. Visit <http://bit.ly/vinyl-upholstery-fabric> for available options!



All spec sheets are available in AutoQuotes or online at www.oakstreetmfg.com

	Standard Ladderback Barstool	Approx. Weight
Black Vinyl Seat	BM-234-BLK	20 lbs
Buckskin Vinyl Seat	BM-234-BUC	20 lbs
Espresso Vinyl Seat	BM-234-ESP	20 lbs
Red Vinyl Seat	BM-234-RED	20 lbs
Wine Vinyl Seat	BM-234-WINE	20 lbs
Clear Coat Wood Seat	BM-234-NT	20 lbs
Mahogany Wood Seat	BM-234-MH	20 lbs
Cherry Wood Seat	BM-234-CH	20 lbs
Walnut Wood Seat	BM-234-WA	20 lbs
Black Wood Seat	BM-234-WB	20 lbs
Barnwood Wood Seat	BM-234-BW	20 lbs
Reclaimed Wood Seat	BM-234-RW	20 lbs
Frame Only, Black Glides - No Seat	BM-234-BG-FRAME	16 lbs
Frame Only, Clear Glides - No Seat	BM-234-CG-FRAME	16 lbs
Frame Only, White Glides - No Seat	BM-234-WG-FRAME	16 lbs

Ladderback - Rustic Metal Frame Chair



CM-234R-ESP



CM-234R-RED

CM-234R-WINE

CM-234R-BLK

CM-234R-BUC

CM-234R-BW

CM-234R-CH



CM-234R-MH

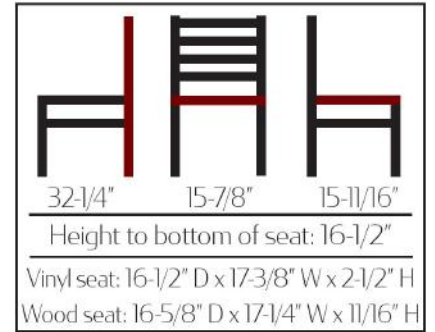
CM-234R-NT

CM-234R-RW

CM-234R-WA

CM-234R-WB

- Hot rolled steel frame with premium clear coat finish
- 1.2mm steel frame; 1-1/4" tubing
- 100% mig welded frame
- Standard leg supports
- Non-marring glides (GL2160-CLEAR is standard - other options are available but charged additional)
- Seat ships unattached - simple seat attachment required
- Stackable: No
- Frame load capacity: 300 lbs



	Rustic Ladderback Chair	Approx. Weight
Black Vinyl Seat	CM-234R-BLK	15 lbs
Buckskin Vinyl Seat	CM-234R-BUC	15 lbs
Espresso Vinyl Seat	CM-234R-ESP	15 lbs
Red Vinyl Seat	CM-234R-RED	15 lbs
Wine Vinyl Seat	CM-234R-WINE	15 lbs
Clear Coat Wood Seat	CM-234R-NT	15 lbs
Mahogany Wood Seat	CM-234R-MH	15 lbs
Cherry Wood Seat	CM-234R-CH	15 lbs
Walnut Wood Seat	CM-234R-WA	15 lbs
Black Wood Seat	CM-234R-WB	15 lbs
Barnwood Wood Seat	CM-234R-BW	15 lbs
Reclaimed Wood Seat	CM-234R-RW	15 lbs
Frame Only - No Seat	CM-234R-FRAME	11 lbs

Custom vinyl or upholstered seat options available. Visit <http://bit.ly/vinyl-upholstery-fabric> for available options!

All spec sheets are available in AutoQuotes or online at www.oakstreetmfg.com



Ladderback - Rustic Metal Frame Barstool



BM-234R-CH

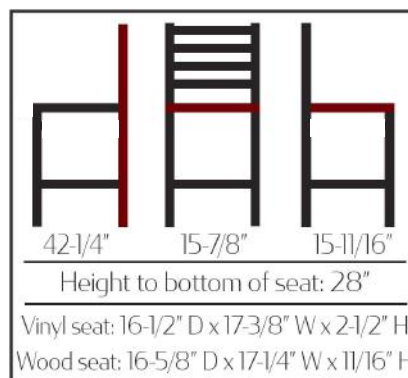


BM-234R-MH BM-234R-NT BM-234R-RW BM-234R-WA BM-234R-WB BM-234R-BW



BM-234R-BLK BM-234R-BUC BM-234R-ESP BM-234R-RED BM-234R-WINE

- Hot rolled steel frame with premium clear coat finish
- 1.2mm steel frame; 1-1/4" tubing
- 100% mig welded frame
- Standard leg supports
- Non-marring glides (GL2160-CLEAR is standard - other options are available but charged additional)
- Seat ships unattached - simple seat attachment required
- Stackable: No
- Frame load capacity: 300 lbs



	Rustic Ladderback Barstool	Approx. Weight
Black Vinyl Seat	BM-234R-BLK	20 lbs
Buckskin Vinyl Seat	BM-234R-BUC	20 lbs
Espresso Vinyl Seat	BM-234R-ESP	20 lbs
Red Vinyl Seat	BM-234R-RED	20 lbs
Wine Vinyl Seat	BM-234R-WINE	20 lbs
Clear Coat Wood Seat	BM-234R-NT	20 lbs
Mahogany Wood Seat	BM-234R-MH	20 lbs
Cherry Wood Seat	BM-234R-CH	20 lbs
Walnut Wood Seat	BM-234R-WA	20 lbs
Black Wood Seat	BM-234R-WB	20 lbs
Barnwood Wood Seat	BM-234R-BW	20 lbs
Reclaimed Wood Seat	BM-234R-RW	20 lbs
Frame Only - No Seat	BM-234R-FRAME	16 lbs

Custom vinyl or upholstered seat options available. Visit <http://bit.ly/vinyl-upholstery-fabric> for available options!

All spec sheets are available in AutoQuotes or online at www.oakstreetmfg.com



Ladderback - Metalwood Metal Frame Chair



CM-234W-DW-WA



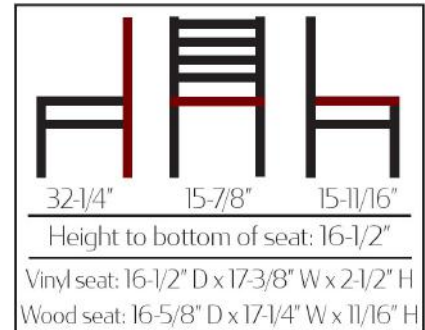
CM-234W-MH-BLK CM-234W-MH-BUC CM-234W-MH-ESP CM-234W-MH-RED CM-234W-MH-WINE CM-234W-MH-MH



CM-234W-DW-BLK CM-234W-DW-BUC CM-234W-DW-ESP CM-234W-DW-RED CM-234W-DW-WINE

- Metal frame with wood grain look - available in Driftwood or Mahogany
- 1.2mm steel frame; 1-1/4" tubing
- 100% mig welded frame
- Non-marring glides (GL234 is standard - other options are available but charged additional)
- Seat ships unattached - simple seat attachment required
- Standard leg supports
- Stackable: No
- Frame load capacity: 300 lbs

All spec sheets are available in
AutoQuotes or online at
www.oakstreetmfg.com



Custom vinyl or upholstered seat options available. Visit <http://bit.ly/vinyl-upholstery-fabric> for available options!



	Driftwood Metalwood Ladderback Chair	Mahogany Metalwood Ladderback Chair	Approx. Weight
Black Vinyl Seat	CM-234W-DW-BLK	CM-234W-MH-BLK	15 lbs
Buckskin Vinyl Seat	CM-234W-DW-BUC	CM-234W-MH-BUC	15 lbs
Espresso Vinyl Seat	CM-234W-DW-ESP	CM-234W-MH-ESP	15 lbs
Red Vinyl Seat	CM-234W-DW-RED	CM-234W-MH-RED	15 lbs
Wine Vinyl Seat	CM-234W-DW-WINE	CM-234W-MH-WINE	15 lbs
Clear Coat Wood Seat	CM-234W-DW-NT	CM-234W-MH-NT	15 lbs
Mahogany Wood Seat	CM-234W-DW-MH	CM-234W-MH-MH	15 lbs
Cherry Wood Seat	CM-234W-DW-CH	CM-234W-MH-CH	15 lbs
Walnut Wood Seat	CM-234W-DW-WA	CM-234W-MH-WA	15 lbs
Black Wood Seat	CM-234W-DW-WB	CM-234W-MH-WB	15 lbs
Barnwood Wood Seat	CM-234W-DW-BW	CM-234W-MH-BW	15 lbs
Reclaimed Wood Seat	CM-234W-DW-RW	CM-234W-MH-RW	15 lbs
Frame Only - No Seat	CM-234W-DW-FRAME	CM-234W-MH-FRAME	11 lbs



Ladderback - Metalwood Metal Frame Barstool



BM-234W-MH-WINE



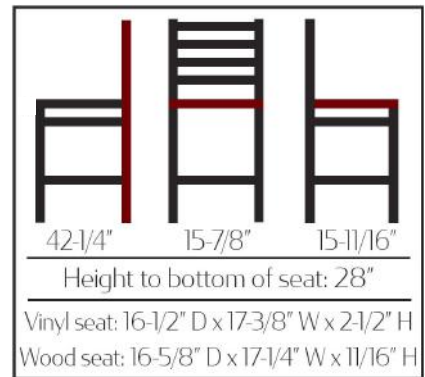
BM-234W-DW-BLK BM-234W-DW-BUC BM-234W-DW-ESP BM-234W-DW-RED BM-234W-DW-WINE BM-234W-DW-WA



BM-234W-MH-BLK BM-234W-MH-BUC BM-234W-MH-ESP BM-234W-MH-RED BM-234W-MH-MH

- Metal frame with wood grain look - available in Driftwood or Mahogany
- 1.2mm steel frame; 1-1/4" tubing
- 100% mig welded frame
- Non-marring glides (GL234 is standard - other options are available but charged additional)
- Seat ships unattached - simple seat attachment required
- Standard leg supports
- Stackable: No
- Frame load capacity: 300 lbs

All spec sheets are available in
AutoQuotes or online at
www.oakstreetmfg.com



Custom vinyl or upholstered
seat options available. Visit
<http://bit.ly/vinyl-upholstery-fabric>
for available options!



	Driftwood Metalwood Ladderback Barstool	Mahogany Metalwood Ladderback Barstool	Approx. Weight
Black Vinyl Seat	BM-234W-DW-BLK	BM-234W-MH-BLK	20 lbs
Buckskin Vinyl Seat	BM-234W-DW-BUC	BM-234W-MH-BUC	20 lbs
Espresso Vinyl Seat	BM-234W-DW-ESP	BM-234W-MH-ESP	20 lbs
Red Vinyl Seat	BM-234W-DW-RED	BM-234W-MH-RED	20 lbs
Wine Vinyl Seat	BM-234W-DW-WINE	BM-234W-MH-WINE	20 lbs
Clear Coat Wood Seat	BM-234W-DW-NT	BM-234W-MH-NT	20 lbs
Mahogany Wood Seat	BM-234W-DW-MH	BM-234W-MH-MH	20 lbs
Cherry Wood Seat	BM-234W-DW-CH	BM-234W-MH-CH	20 lbs
Walnut Wood Seat	BM-234W-DW-WA	BM-234W-MH-WA	20 lbs
Black Wood Seat	BM-234W-DW-WB	BM-234W-MH-WB	20 lbs
Barnwood Wood Seat	BM-234W-DW-BW	BM-234W-MH-BW	20 lbs
Reclaimed Wood Seat	BM-234W-DW-RW	BM-234W-MH-RW	20 lbs
Frame Only - No Seat	BM-234W-DW-FRAME	BM-234W-MH-FRAME	16 lbs



Ladderback - Clear Coat (Plain Welds) Metal Frame Chair



SL135C-PLAIN WELDS-RED

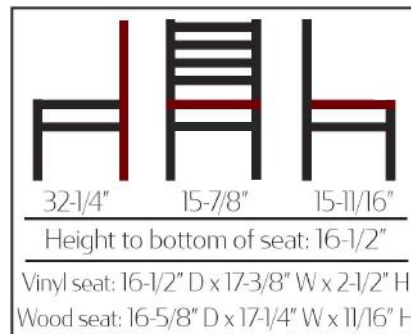


SL135C-PLAIN WELDS-WINE
SL135C-PLAIN WELDS-BLK
SL135C-PLAIN WELDS-BUC
SL135C-PLAIN WELDS-ESP
SL135C-PLAIN WELDS-BW
SL135C-PLAIN WELDS-CH



SL135C-PLAIN WELDS-MH
SL135C-PLAIN WELDS-NT
SL135C-PLAIN WELDS-RW
SL135C-PLAIN WELDS-WA
SL135C-PLAIN WELDS-WB

- Premium clear coat finish with plain welds
- 1.2mm steel frame; 1-1/4" tubing
- 100% mig welded frame
- Two leg supports
- Non-marring glides (GL2160-CLEAR is standard - other options are available but charged additional)
- Seat ships unattached - simple seat attachment required
- Stackable: No
- Frame load capacity: 300 lbs



Custom vinyl or upholstered seat options available. Visit <http://bit.ly/vinyl-upholstery-fabric> for available options!

	Clear Coat Ladderback Chair	Approx. Weight
Black Vinyl Seat	SL135C-PLAIN WELDS-BLK	15 lbs
Buckskin Vinyl Seat	SL135C-PLAIN WELDS-BUC	15 lbs
Espresso Vinyl Seat	SL135C-PLAIN WELDS-ESP	15 lbs
Red Vinyl Seat	SL135C-PLAIN WELDS-RED	15 lbs
Wine Vinyl Seat	SL135C-PLAIN WELDS-WINE	15 lbs
Clear Coat Wood Seat	SL135C-PLAIN WELDS-NT	15 lbs
Mahogany Wood Seat	SL135C-PLAIN WELDS-MH	15 lbs
Cherry Wood Seat	SL135C-PLAIN WELDS-CH	15 lbs
Walnut Wood Seat	SL135C-PLAIN WELDS-WA	15 lbs
Black Wood Seat	SL135C-PLAIN WELDS-WB	15 lbs
Barnwood Wood Seat	SL135C-PLAIN WELDS-BW	15 lbs
Reclaimed Wood Seat	SL135C-PLAIN WELDS-RW	15 lbs
Frame Only - No Seat	SL135C-PLAIN WELDS-FRAME-2 BARS	11 lbs



Ladderback - Clear Coat (Plain Welds) Metal Frame Barstool



SL135C1-PLAIN WELDS-MH

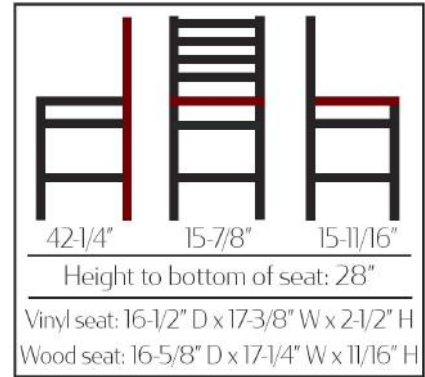


SL135C1-PLAIN WELDS-NT
SL135C1-PLAIN WELDS-RW
SL135C1-PLAIN WELDS-WA
SL135C1-PLAIN WELDS-WB
SL135C1-PLAIN WELDS-BW
SL135C1-PLAIN WELDS-CH



SL135C1-PLAIN WELDS-BLK
SL135C1-PLAIN WELDS-BUC
SL135C1-PLAIN WELDS-ESP
SL135C1-PLAIN WELDS-RED
SL135C1-PLAIN WELDS-WINE

- Premium clear coat finish with plain welds
- 1.2mm steel frame; 1-1/4" tubing
- 100% mig welded frame
- Two leg supports
- Non-marring glides (GL2160-CLEAR is standard - other options are available but charged additional)
- Seat ships unattached - simple seat attachment required
- Stackable: No
- Frame load capacity: 300 lbs



Part #: GL2160-CLEAR

Part #: GL234

Part #: GL2160-FELT

Part #: GL2160-WHITE

	Clear Coat Ladderback Barstool	Approx. Weight
Black Vinyl Seat	SL135C1-PLAIN WELDS-BLK	20 lbs
Buckskin Vinyl Seat	SL135C1-PLAIN WELDS-BUC	20 lbs
Espresso Vinyl Seat	SL135C1-PLAIN WELDS-ESP	20 lbs
Red Vinyl Seat	SL135C1-PLAIN WELDS-RED	20 lbs
Wine Vinyl Seat	SL135C1-PLAIN WELDS-WINE	20 lbs
Clear Coat Wood Seat	SL135C1-PLAIN WELDS-NT	20 lbs
Mahogany Wood Seat	SL135C1-PLAIN WELDS-MH	20 lbs
Cherry Wood Seat	SL135C1-PLAIN WELDS-CH	20 lbs
Walnut Wood Seat	SL135C1-PLAIN WELDS-WA	20 lbs
Black Wood Seat	SL135C1-PLAIN WELDS-WB	20 lbs
Barnwood Wood Seat	SL135C1-PLAIN WELDS-BW	20 lbs
Reclaimed Wood Seat	SL135C1-PLAIN WELDS-RW	20 lbs
Frame Only - No Seat	SL135C1-PLAIN WELDS-FRAME-2 BARS	16 lbs

Custom vinyl or upholstered seat options available. Visit <http://bit.ly/vinyl-upholstery-fabric> for available options!

All spec sheets are available in AutoQuotes or online at www.oakstreetmfg.com

Ladderback - Clear Coat (Brass Welds) Metal Frame Chair



SL135C-BRASS WELDS-WINE

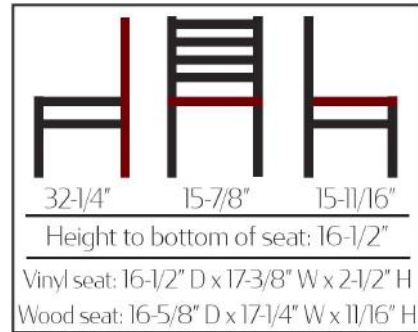


SL135C-BRASS WELDS-BLK
SL135C-BRASS WELDS-BUC
SL135C-BRASS WELDS-ESP
SL135C-BRASS WELDS-RED
SL135C-BRASS WELDS-BW
SL135C-BRASS WELDS-CH



SL135C-BRASS WELDS-MH
SL135C-BRASS WELDS-NT
SL135C-BRASS WELDS-RW
SL135C-BRASS WELDS-WA
SL135C-BRASS WELDS-WB

- Premium clear coat finish with brass welds
- 1.2mm steel frame; 1-1/4" tubing
- 100% mig welded frame
- Two leg supports
- Non-marring glides (GL2160-CLEAR is standard - other options are available but charged additional)
- Seat ships unattached - simple seat attachment required
- Stackable: No
- Frame load capacity: 300 lbs



Part #: GL2160-CLEAR

Part #: GL234

Part #: GL2160-FELT

Part #: GL2160-WHITE

	Clear Coat Ladderback Chair	Approx. Weight
Black Vinyl Seat	SL135C-BRASS WELDS-BLK	15 lbs
Buckskin Vinyl Seat	SL135C-BRASS WELDS-BUC	15 lbs
Espresso Vinyl Seat	SL135C-BRASS WELDS-ESP	15 lbs
Red Vinyl Seat	SL135C-BRASS WELDS-RED	15 lbs
Wine Vinyl Seat	SL135C-BRASS WELDS-WINE	15 lbs
Clear Coat Wood Seat	SL135C-BRASS WELDS-NT	15 lbs
Mahogany Wood Seat	SL135C-BRASS WELDS-MH	15 lbs
Cherry Wood Seat	SL135C-BRASS WELDS-CH	15 lbs
Walnut Wood Seat	SL135C-BRASS WELDS-WA	15 lbs
Black Wood Seat	SL135C-BRASS WELDS-WB	15 lbs
Barnwood Wood Seat	SL135C-BRASS WELDS-BW	15 lbs
Reclaimed Wood Seat	SL135C-BRASS WELDS-RW	15 lbs
Frame Only - No Seat	SL135C-BRASS WELDS-FRAME-2 BARS	11 lbs



Ladderback - Clear Coat (Brass Welds) Metal Frame Barstool



SL135C-1-BRASS WELDS-NT

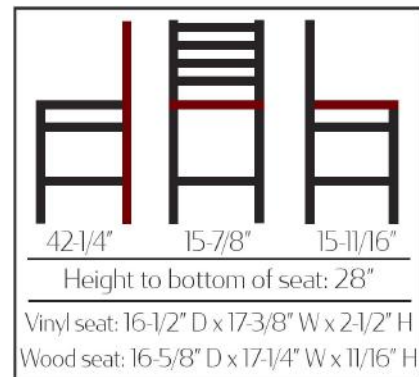


SL135C-1-BRASS WELDS-RW SL135C-1-BRASS WELDS-WA SL135C-1-BRASS WELDS-WB SL135C-1-BRASS WELDS-BW SL135C-1-BRASS WELDS-CH SL135C-1-BRASS WELDS-MH

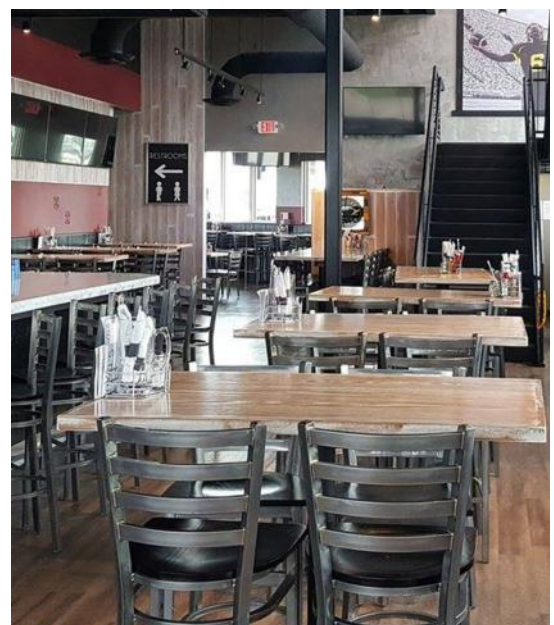


SL135C-1-BRASS WELDS-BLK SL135C-1-BRASS WELDS-BUC SL135C-1-BRASS WELDS-ESP SL135C-1-BRASS WELDS-RED SL135C-1-BRASS WELDS-WINE

- Premium clear coat finish with brass welds
- 1.2mm steel frame; 1-1/4" tubing
- 100% mig welded frame
- Two leg supports
- Non-marring glides (GL2160-CLEAR is standard - other options are available but charged additional)
- Seat ships unattached - simple seat attachment required
- Stackable: No
- Frame load capacity: 300 lbs



Clear Coat Ladderback Barstool		Approx. Weight
Black Vinyl Seat	SL135C-1-BRASS WELDS-BLK	20 lbs
Buckskin Vinyl Seat	SL135C-1-BRASS WELDS-BUC	20 lbs
Espresso Vinyl Seat	SL135C-1-BRASS WELDS-ESP	20 lbs
Red Vinyl Seat	SL135C-1-BRASS WELDS-RED	20 lbs
Wine Vinyl Seat	SL135C-1-BRASS WELDS-WINE	20 lbs
Clear Coat Wood Seat	SL135C-1-BRASS WELDS-NT	20 lbs
Mahogany Wood Seat	SL135C-1-BRASS WELDS-MH	20 lbs
Cherry Wood Seat	SL135C-1-BRASS WELDS-CH	20 lbs
Walnut Wood Seat	SL135C-1-BRASS WELDS-WA	20 lbs
Black Wood Seat	SL135C-1-BRASS WELDS-WB	20 lbs
Barnwood Wood Seat	SL135C-1-BRASS WELDS-BW	20 lbs
Reclaimed Wood Seat	SL135C-1-BRASS WELDS-RW	20 lbs
Frame Only - No Seat	SL135C-1-BRASS WELDS-FRAME-2 BARS	16 lbs



Ladderback - Silvervein Metal Frame Chair



SL2160-SV-ESP

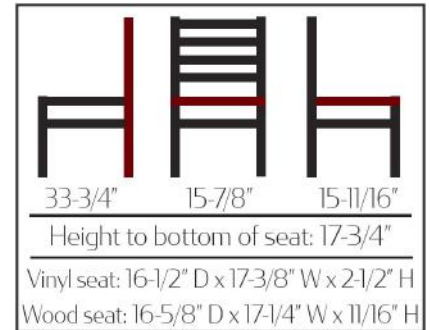


SL2160-SV-RED SL2160-SV-WINE SL2160-SV-BLK SL2160-SV-BUC SL2160-SV-BW SL2160-SV-CH



SL2160-SV-MH SL2160-SV-NT SL2160-SV-RW SL2160-SV-WA SL2160-SV-WB

- Premium silvervein finish
- 1.2mm steel frame; 1-1/4" tubing
- 100% mig welded frame
- Two leg supports
- Non-marring glides (GL2160-WHITE is standard - other options are available but charged additional)
- Seat ships unattached - simple seat attachment required
- Stackable: No
- Weight: 17 lbs
- Frame load capacity: 300 lbs



	Silvervein Ladderback Chair	Approx. Weight
Black Vinyl Seat	SL2160-SV-BLK	17 lbs
Buckskin Vinyl Seat	SL2160-SV-BUC	17 lbs
Espresso Vinyl Seat	SL2160-SV-ESP	17 lbs
Red Vinyl Seat	SL2160-SV-RED	17 lbs
Wine Vinyl Seat	SL2160-SV-WINE	17 lbs
Clear Coat Wood Seat	SL2160-SV-NT	17 lbs
Mahogany Wood Seat	SL2160-SV-MH	17 lbs
Cherry Wood Seat	SL2160-SV-CH	17 lbs
Walnut Wood Seat	SL2160-SV-WA	17 lbs
Black Wood Seat	SL2160-SV-WB	17 lbs
Barnwood Wood Seat	SL2160-SV-BW	17 lbs
Reclaimed Wood Seat	SL2160-SV-RW	17 lbs
Frame Only - No Seat	SL2160-SV-FRAME-2 BARS	13 lbs

Custom vinyl or upholstered seat options available. Visit <http://bit.ly/vinyl-upholstery-fabric> for available options!

All spec sheets are available in AutoQuotes or online at www.oakstreetmfg.com

Ladderback - Silvervein Metal Frame Barstool

Chairs & Stationary Barstools



SL2301-SV-WB

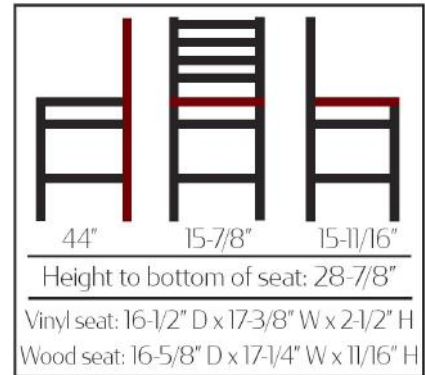


SL2301-SV-BW SL2301-SV-CH SL2301-SV-MH SL2301-SV-NT SL2301-SV-RW SL2301-SV-WA



SL2301-SV-BLK SL2301-SV-BUC SL2301-SV-ESP SL2301-SV-RED SL2301-SV-WINE

- Premium silvervein finish
- 1.2mm steel frame; 1-1/4" tubing
- 100% mig welded frame
- Two leg supports
- Non-marring glides (GL2160-WHITE is standard - other options are available but charged additional)
- Seat ships unattached - simple seat attachment required
- Stackable: No
- Weight: 22 lbs
- Frame load capacity: 300 lbs



Ladderback - Silvervein Metal Frame Barstool



	Silvervein Ladderback Barstool	Approx. Weight
Black Vinyl Seat	SL2301-SV-BLK	22 lbs
Buckskin Vinyl Seat	SL2301-SV-BUC	22 lbs
Espresso Vinyl Seat	SL2301-SV-ESP	22 lbs
Red Vinyl Seat	SL2301-SV-RED	22 lbs
Wine Vinyl Seat	SL2301-SV-WINE	22 lbs
Clear Coat Wood Seat	SL2301-SV-NT	22 lbs
Mahogany Wood Seat	SL2301-SV-MH	22 lbs
Cherry Wood Seat	SL2301-SV-CH	22 lbs
Walnut Wood Seat	SL2301-SV-WA	22 lbs
Black Wood Seat	SL2301-SV-WB	22 lbs
Barnwood Wood Seat	SL2301-SV-BW	22 lbs
Reclaimed Wood Seat	SL2301-SV-RW	22 lbs
Frame Only - No Seat	SL2301-SV-FRAME	18 lbs

Custom vinyl or upholstered seat options available. Visit <http://bit.ly/vinyl-upholstery-fabric> for available options!

All spec sheets are available in AutoQuotes or online at www.oakstreetmfg.com

Ladderback - XL Metal Frame Chair



SL3160-RED



SL3160-WINE

SL3160-BLK

SL3160-BUC

SL3160-ESP



SL3160-MH

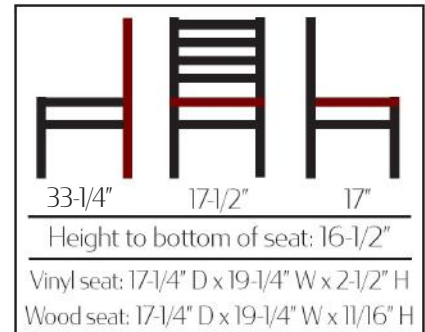
SL3160-NT

SL3160-WA

SL3160-WB

SL3160-CH

- Premium black powder coat wrinkle finish
- 1.2mm steel frame; 1-1/4" tubing
- 100% mig welded frame
- 2" wider, 1" deeper & 1" taller than standard ladderback
- Two leg supports
- Non-marring glides (GL2160-WHITE is standard - other options are available but charged additional)
- Seat ships unattached - simple seat attachment required
- Stackable: No
- Weight: 19 lbs
- Frame load capacity: 300 lbs



Part #: GL2160-CLEAR

Part #: GL234

Part #: GL2160-FELT

Part #: GL2160-WHITE

	XL Ladderback Chair	Approx. Weight
Black Vinyl Seat	SL3160-BLK	19 lbs
Buckskin Vinyl Seat	SL3160-BUC	19 lbs
Espresso Vinyl Seat	SL3160-ESP	19 lbs
Red Vinyl Seat	SL3160-RED	19 lbs
Wine Vinyl Seat	SL3160-WINE	19 lbs
Clear Coat Wood Seat	SL3160-NT	19 lbs
Mahogany Wood Seat	SL3160-MH	19 lbs
Cherry Wood Seat	SL3160-CH	19 lbs
Walnut Wood Seat	SL3160-WA	19 lbs
Black Wood Seat	SL3160-WB	19 lbs
Frame Only - No Seat	SL3160-FRAME	15 lbs

Custom vinyl or upholstered seat options available. Visit <http://bit.ly/vinyl-upholstery-fabric> for available options!

All spec sheets are available in AutoQuotes or online at www.oakstreetmfg.com

Ladderback - XL Metal Frame Barstool



SL3301-CH



SL3301-MH

SL3301-NT

SL3301-WA

SL3301-WB



SL3301-BLK

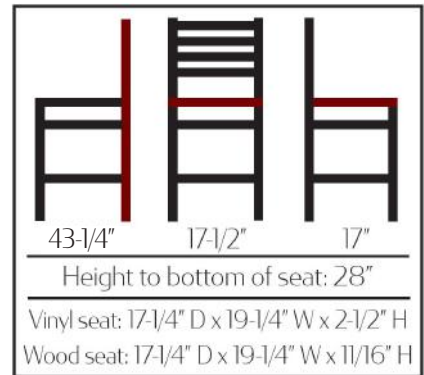
SL3301-BUC

SL3301-ESP

SL3301-RED

SL3301-WINE

- Premium black powder coat wrinkle finish
- 1.2mm steel frame; 1-1/4" tubing
- 100% mig welded frame
- 2" wider, 1" deeper & 1" taller than standard ladderback
- Two leg supports
- Non-marring glides (GL2160-WHITE is standard - other options are available but charged additional)
- Seat ships unattached - simple seat attachment required
- Stackable: No
- Weight: 24 lbs
- Frame load capacity: 300 lbs



	XL Ladderback Barstool	Approx. Weight
Black Vinyl Seat	SL3301-BLK	24 lbs
Buckskin Vinyl Seat	SL3301-BUC	24 lbs
Espresso Vinyl Seat	SL3301-ESP	24 lbs
Red Vinyl Seat	SL3301-RED	24 lbs
Wine Vinyl Seat	SL3301-WINE	24 lbs
Clear Coat Wood Seat	SL3301-NT	24 lbs
Mahogany Wood Seat	SL3301-MH	24 lbs
Cherry Wood Seat	SL3301-CH	24 lbs
Walnut Wood Seat	SL3301-WA	24 lbs
Black Wood Seat	SL3301-WB	24 lbs
Frame Only - No Seat	SL3301-FRAME	20 lbs

Custom vinyl or upholstered seat options available. Visit <http://bit.ly/vinyl-upholstery-fabric> for available options!

All spec sheets are available in AutoQuotes or online at www.oakstreetmfg.com

Ladderback - Stackable Metal Frame Chair



ST2160-RED



ST2160-WINE ST2160-BLK ST2160-BUC ST2160-ESP ST2160-CH



ST2160-MH ST2160-NT ST2160-RW ST2160-WA ST2160-WB ST2160-BW

- Premium black powder coat wrinkle finish
- 1.2mm steel frame; 1-1/4" tubing
- 100% mig welded frame & footring
- Maximum stacking height: 5
- Non-marring glides
- Two leg supports
- Seat ships unattached - simple seat attachment required
- Frame load capacity: 300 lbs
- For indoor use only



Part #: GL2160-CLEAR

Part #: GL234

Part #: GL2160-FELT

Part #: GL2160-WHITE

All spec sheets are available in
AutoQuotes or online at
www.oakstreetmfg.com

	Stackable Ladderback Chair	Approx. Weight
Black Vinyl Seat	ST2160-BLK	17 lbs
Buckskin Vinyl Seat	ST2160-BUC	17 lbs
Espresso Vinyl Seat	ST2160-ESP	17 lbs
Red Vinyl Seat	ST2160-RED	17 lbs
Wine Vinyl Seat	ST2160-WINE	17 lbs
Clear Coat Wood Seat	ST2160-NT	17 lbs
Mahogany Wood Seat	ST2160-MH	17 lbs
Cherry Wood Seat	ST2160-CH	17 lbs
Walnut Wood Seat	ST2160-WA	17 lbs
Black Wood Seat	ST2160-WB	17 lbs
Barnwood Wood Seat	ST2160-BW	17 lbs
Reclaimed Wood Seat	ST2160-RW	17 lbs
Frame Only - No Seat	ST2160-FRAME	13 lbs



Ladderback - Stackable Metal Frame Chair



ST2160-CCS-WA



ST2160-CCS-BLK ST2160-CCS-BUC ST2160-CCS-ESP ST2160-CCS-RED ST2160-CCS-WINE



ST2160-CCS-RW ST2160-CCS-WB ST2160-CCS-BW ST2160-CCS-CH ST2160-CCS-MH ST2160-CCS-NT

- Premium clear coat finish - available with brass or plain welds
- 1.2mm steel frame; 1-1/4" tubing
- 100% mig welded frame & footring
- Maximum stacking height: 5
- Non-marring glides
- Two leg supports
- Seat ships unattached - simple seat attachment required
- Frame load capacity: 300 lbs
- For indoor use only



Part #: GL2160-CLEAR

Part #: GL234

Part #: GL2160-FELT

Part #: GL2160-WHITE

All spec sheets are available in AutoQuotes or online at www.oakstreetmfg.com

Plain welds



Brass welds



	Stackable Clear Coat Ladderback Chair	Approx. Weight
Black Vinyl Seat	ST2160-CCS-BLK	17 lbs
Buckskin Vinyl Seat	ST2160-CCS-BUC	17 lbs
Espresso Vinyl Seat	ST2160-CCS-ESP	17 lbs
Red Vinyl Seat	ST2160-CCS-RED	17 lbs
Wine Vinyl Seat	ST2160-CCS-WINE	17 lbs
Clear Coat Wood Seat	ST2160-CCS-NT	17 lbs
Mahogany Wood Seat	ST2160-CCS-MH	17 lbs
Cherry Wood Seat	ST2160-CCS-CH	17 lbs
Walnut Wood Seat	ST2160-CCS-WA	17 lbs
Black Wood Seat	ST2160-CCS-WB	17 lbs
Barnwood Wood Seat	ST2160-CCS-BW	17 lbs
Reclaimed Wood Seat	ST2160-CCS-RW	17 lbs
Frame Only (Plain Welds) - No Seat	ST2160-CCS-PLAIN WELDS-FRAME	13 lbs
Frame Only (Brass Welds) - No Seat	ST2160-CCS-BRASS WELDS-FRAME	13 lbs

Custom vinyl or upholstered seat options available. Visit <http://bit.ly/vinyl-upholstery-fabric> for available options!



Ladderback Wood Frame Seating



WCIO1WA

WBIO1WA-BUC

WCIO1MH

WBIO1MH-WINE



WCIO1BLK

WBIO1BLK-BLK

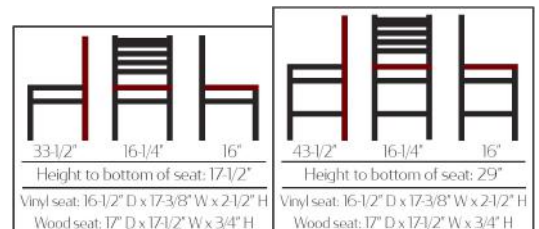
WCIO1NT

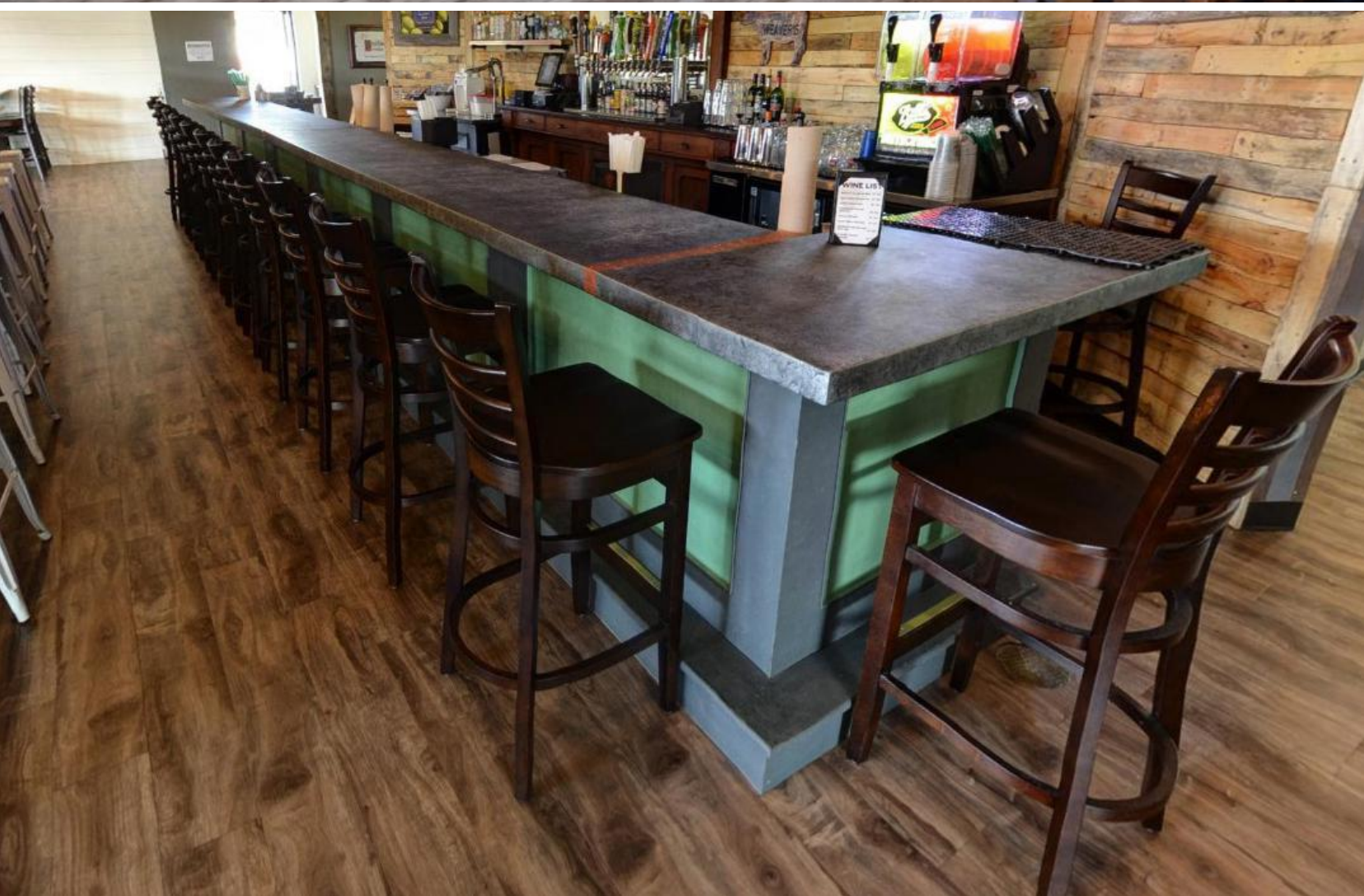
WBIO1NT-ESP

Solid Wood Ladderback Chair	Walnut Stain	Black Dye with Stain	Mahogany Stain	Clear Coat Finish	Approx. Weight
Matching Wood Seat	WCIO1WA	WCIO1BLK	WCIO1MH	WCIO1NT	20 lbs
Black Vinyl Seat	WCIO1WA-BLK	WCIO1BLK-BLK	WCIO1MH-BLK	WCIO1NT-BLK	20 lbs
Buckskin Vinyl Seat	WCIO1WA-BUC	WCIO1BLK-BUC	WCIO1MH-BUC	WCIO1NT-BUC	20 lbs
Espresso Vinyl Seat	WCIO1WA-ESP	WCIO1BLK-ESP	WCIO1MH-ESP	WCIO1NT-ESP	20 lbs
Red Vinyl Seat	WCIO1WA-RED	WCIO1BLK-RED	WCIO1MH-RED	WCIO1NT-RED	20 lbs
Wine Vinyl Seat	WCIO1WA-WINE	WCIO1BLK-WINE	WCIO1MH-WINE	WCIO1NT-WINE	20 lbs
Frame Only - No Seat	CW-534-WA-FRAME	CW-534-BLK-FRAME	CW-534-MH-FRAME	CW-534-NT-FRAME	16 lbs

Solid Wood Ladderback Barstool	Walnut Stain	Black Dye with Stain	Mahogany Stain	Clear Coat Finish	Approx. Weight
Matching Wood Seat	WBIO1WA	WBIO1BLK	WBIO1MH	WBIO1NT	24 lbs
Black Vinyl Seat	WBIO1WA-BLK	WBIO1BLK-BLK	WBIO1MH-BLK	WBIO1NT-BLK	24 lbs
Buckskin Vinyl Seat	WBIO1WA-BUC	WBIO1BLK-BUC	WBIO1MH-BUC	WBIO1NT-BUC	24 lbs
Espresso Vinyl Seat	WBIO1WA-ESP	WBIO1BLK-ESP	WBIO1MH-ESP	WBIO1NT-ESP	24 lbs
Red Vinyl Seat	WBIO1WA-RED	WBIO1BLK-RED	WBIO1MH-RED	WBIO1NT-RED	24 lbs
Wine Vinyl Seat	WBIO1WA-WINE	WBIO1BLK-WINE	WBIO1MH-WINE	WBIO1NT-WINE	24 lbs
Frame Only - No Seat	BW-534-WA-FRAME	BW-534-BLK-FRAME	BW-534-MH-FRAME	BW-534-NT-FRAME	20 lbs

- Frame & matching seat are constructed of solid European beech
- Available stains/finishes include: Walnut, Black, Mahogany & Clear Coat
- Available with any in-house vinyl or matching solid wood seat (pricing shown left) or with custom vinyl/upholstery (upcharge)
- Seats ship unattached - simple seat attachment required
- Two leg supports
- Non-marring poly glides
- For indoor use only
- Stackable: No





Crossback Metal Frame Chair



SL2130-WINE



SL2130-BLK

SL2130-BUC

SL2130-ESP

SL2130-RED

SL2130-BW

SL2130-CH



SL2130-MH

SL2130-NT

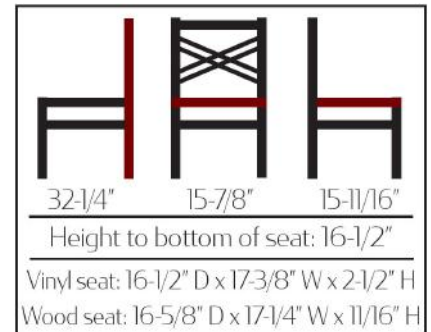
SL2130-RW

SL2130-WA

SL2130-WB

- Premium black powder coat wrinkle finish
- 1.2mm steel frame; 1-1/4" tubing
- 100% mig welded frame
- Two leg supports
- Non-marring glides (GL2160-WHITE is standard - other options are available but charged additional)
- Seat ships unattached - simple seat attachment required
- Stackable: No
- Frame load capacity: 300 lbs

Custom vinyl or upholstered seat options available. Visit <http://bit.ly/vinyl-upholstery-fabric> for available options!



	Part #: GL2160-CLEAR		Part #: GL234
	Part #: GL2160-FELT		Part #: GL2160-WHITE

All spec sheets are available in AutoQuotes or online at www.oakstreetmfg.com

	Crossback Chair	Approx. Weight
Black Vinyl Seat	SL2130-BLK	17 lbs
Buckskin Vinyl Seat	SL2130-BUC	17 lbs
Espresso Vinyl Seat	SL2130-ESP	17 lbs
Red Vinyl Seat	SL2130-RED	17 lbs
Wine Vinyl Seat	SL2130-WINE	17 lbs
Clear Coat Wood Seat	SL2130-NT	17 lbs
Mahogany Wood Seat	SL2130-MH	17 lbs
Cherry Wood Seat	SL2130-CH	17 lbs
Walnut Wood Seat	SL2130-WA	17 lbs
Black Wood Seat	SL2130-WB	17 lbs
Barnwood Wood Seat	SL2130-BW	17 lbs
Reclaimed Wood Seat	SL2130-RW	17 lbs
Frame Only - No Seat	SL2130-FRAME	13 lbs



Crossback Metal Frame Barstool



SL2130-I-BW



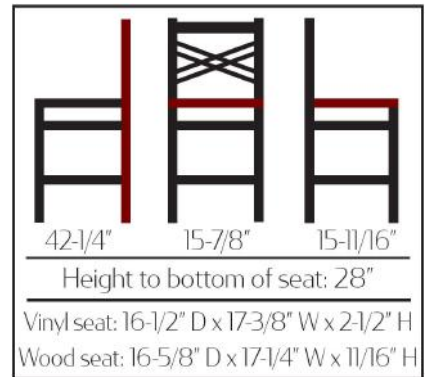
SL2130-I-CH SL2130-I-MH SL2130-I-NT SL2130-I-RW SL2130-I-WA SL2130-I-WB



SL2130-I-BLK SL2130-I-BUC SL2130-I-ESP SL2130-I-RED SL2130-I-WINE

- Premium black powder coat wrinkle finish
- 1.2mm steel frame; 1-1/4" tubing
- 100% mig welded frame
- Two leg supports
- Non-marring glides (GL2160-WHITE is standard - other options are available but charged additional)
- Seat ships unattached - simple seat attachment required
- Stackable: No
- Frame load capacity: 300 lbs

Custom vinyl or upholstered seat options available. Visit <http://bit.ly/vinyl-upholstery-fabric> for available options!



Part #: GL2160-CLEAR Part #: GL234
 Part #: GL2160-FELT Part #: GL2160-WHITE

All spec sheets are available in AutoQuotes or online at www.oakstreetmfg.com

	Crossback Barstool	Approx. Weight
Black Vinyl Seat	SL2130-I-BLK	22 lbs
Buckskin Vinyl Seat	SL2130-I-BUC	22 lbs
Espresso Vinyl Seat	SL2130-I-ESP	22 lbs
Red Vinyl Seat	SL2130-I-RED	22 lbs
Wine Vinyl Seat	SL2130-I-WINE	22 lbs
Clear Coat Wood Seat	SL2130-I-NT	22 lbs
Mahogany Wood Seat	SL2130-I-MH	22 lbs
Cherry Wood Seat	SL2130-I-CH	22 lbs
Walnut Wood Seat	SL2130-I-WA	22 lbs
Black Wood Seat	SL2130-I-WB	22 lbs
Barnwood Wood Seat	SL2130-I-BW	22 lbs
Reclaimed Wood Seat	SL2130-I-RW	22 lbs
Frame Only - No Seat	SL2130-I-FRAME	18 lbs



Verticalback Metal Frame Chair



SL2090-BLK



SL2090-BUC

SL2090-ESP

SL2090-RED

SL2090-WINE

SL2090-BW

SL2090-CH



SL2090-MH

SL2090-NT

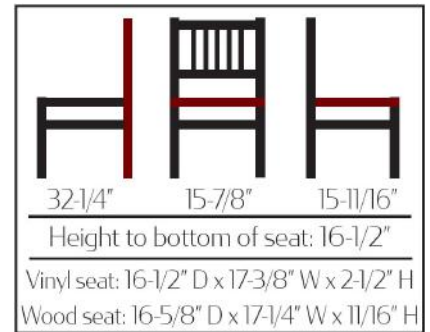
SL2090-RW

SL2090-WA

SL2090-WB

- Premium black powder coat wrinkle finish
- 1.2mm steel frame; 1-1/4" tubing
- 100% mig welded frame
- Two leg supports
- Non-marring glides (GL2160-WHITE is standard - other options are available but charged additional)
- Seat ships unattached - simple seat attachment required
- Stackable: No
- Frame load capacity: 300 lbs

Custom vinyl or upholstered seat options available. Visit <http://bit.ly/vinyl-upholstery-fabric> for available options!



Part #: GL2160-CLEAR

Part #: GL234

Part #: GL2160-FELT

Part #: GL2160-WHITE

All spec sheets are available in AutoQuotes or online at www.oakstreetmfg.com

	Crossback Chair	Approx. Weight
Black Vinyl Seat	SL2090-BLK	17 lbs
Buckskin Vinyl Seat	SL2090-BUC	17 lbs
Espresso Vinyl Seat	SL2090-ESP	17 lbs
Red Vinyl Seat	SL2090-RED	17 lbs
Wine Vinyl Seat	SL2090-WINE	17 lbs
Clear Coat Wood Seat	SL2090-NT	17 lbs
Mahogany Wood Seat	SL2090-MH	17 lbs
Cherry Wood Seat	SL2090-CH	17 lbs
Walnut Wood Seat	SL2090-WA	17 lbs
Black Wood Seat	SL2090-WB	17 lbs
Barnwood Wood Seat	SL2090-BW	17 lbs
Reclaimed Wood Seat	SL2090-RW	17 lbs
Frame Only - No Seat	SL2090-FRAME	13 lbs



Verticalback Metal Frame Barstool

Chairs & Stationary Barstools



SL2090-1-CH



SL2090-1-MH

SL2090-1-NT

SL2090-1-RW

SL2090-1-WA

SL2090-1-WB

SL2090-1-BW



SL2090-1-BLK

SL2090-1-BUC

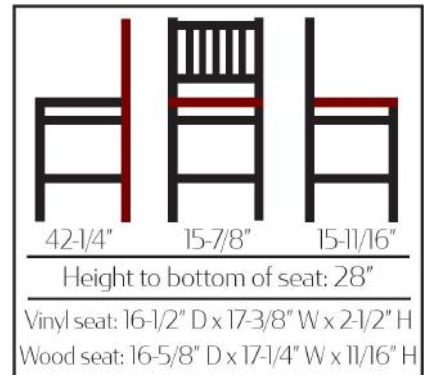
SL2090-1-ESP

SL2090-1-RED

SL2090-1-WINE

- Premium black powder coat wrinkle finish
- 1.2mm steel frame; 1-1/4" tubing
- 100% mig welded frame
- Two leg supports
- Non-marring glides (GL2160-WHITE is standard - other options are available but charged additional)
- Seat ships unattached - simple seat attachment required
- Stackable: No
- Frame load capacity: 300 lbs

Custom vinyl or upholstered seat options available. Visit <http://bit.ly/vinyl-upholstery-fabric> for available options!



All spec sheets are available in AutoQuotes or online at www.oakstreetmfg.com

	Crossback Barstool	Approx. Weight
Black Vinyl Seat	SL2090-1-BLK	22 lbs
Buckskin Vinyl Seat	SL2090-1-BUC	22 lbs
Espresso Vinyl Seat	SL2090-1-ESP	22 lbs
Red Vinyl Seat	SL2090-1-RED	22 lbs
Wine Vinyl Seat	SL2090-1-WINE	22 lbs
Clear Coat Wood Seat	SL2090-1-NT	22 lbs
Mahogany Wood Seat	SL2090-1-MH	22 lbs
Cherry Wood Seat	SL2090-1-CH	22 lbs
Walnut Wood Seat	SL2090-1-WA	22 lbs
Black Wood Seat	SL2090-1-WB	22 lbs
Barnwood Wood Seat	SL2090-1-BW	22 lbs
Reclaimed Wood Seat	SL2090-1-RW	22 lbs
Frame Only - No Seat	SL2090-1-FRAME	18 lbs

Verticalback Metal Frame Barstool

Verticalback Wood Frame Seating



WC102WA

WB102WA-BUC

WC102MH

WB102MH-WINE



WC102BLK

WB102BLK-BLK

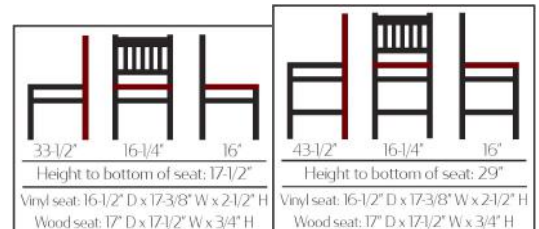
WC102NT

WB102NT-ESP

Solid Wood Verticalback Chair	Walnut Stain	Black Dye with Stain	Mahogany Stain	Clear Coat Finish	Approx. Weight
Matching Wood Seat	WC102WA	WC102BLK	WC102MH	WC102NT	20 lbs
Black Vinyl Seat	WC102WA-BLK	WC102BLK-BLK	WC102MH-BLK	WC102NT-BLK	20 lbs
Buckskin Vinyl Seat	WC102WA-BUC	WC102BLK-BUC	WC102MH-BUC	WC102NT-BUC	20 lbs
Espresso Vinyl Seat	WC102WA-ESP	WC102BLK-ESP	WC102MH-ESP	WC102NT-ESP	20 lbs
Red Vinyl Seat	WC102WA-RED	WC102BLK-RED	WC102MH-RED	WC102NT-RED	20 lbs
Wine Vinyl Seat	WC102WA-WINE	WC102BLK-WINE	WC102MH-WINE	WC102NT-WINE	20 lbs
Frame Only - No Seat	CW-550-WA-FRAME	CW-550-BLK-FRAME	CW-550-MH-FRAME	CW-550-NT-FRAME	16 lbs

- Frame & matching seat are constructed of solid European beech
- Available stains/finishes include: Walnut, Black, Mahogany & Clear Coat
- Available with any in-house vinyl or matching solid wood seat (pricing shown left) or with custom vinyl/upholstery (upcharge)
- Seats ship unattached - simple seat attachment required
- Two leg supports
- Non-marring poly glides
- For indoor use only
- Stackable: No

Solid Wood Verticalback Barstool	Walnut Stain	Black Dye with Stain	Mahogany Stain	Clear Coat Finish	Approx. Weight
Matching Wood Seat	WB102WA	WB102BLK	WB102MH	WB102NT	24 lbs
Black Vinyl Seat	WB102WA-BLK	WB102BLK-BLK	WB102MH-BLK	WB102NT-BLK	24 lbs
Buckskin Vinyl Seat	WB102WA-BUC	WB102BLK-BUC	WB102MH-BUC	WB102NT-BUC	24 lbs
Espresso Vinyl Seat	WB102WA-ESP	WB102BLK-ESP	WB102MH-ESP	WB102NT-ESP	24 lbs
Red Vinyl Seat	WB102WA-RED	WB102BLK-RED	WB102MH-RED	WB102NT-RED	24 lbs
Wine Vinyl Seat	WB102WA-WINE	WB102BLK-WINE	WB102MH-WINE	WB102NT-WINE	24 lbs
Frame Only - No Seat	BW-550-WA-FRAME	BW-550-BLK-FRAME	BW-550-MH-FRAME	BW-550-NT-FRAME	20 lbs





Windowpane Metal Frame Chair



SL2163-BUC



SL2163-ESP

SL2163-RED

SL2163-WINE

SL2163-BLK

SL2163-BW

SL2163-CH



SL2163-MH

SL2163-NT

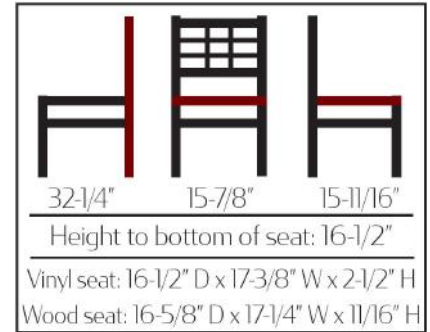
SL2163-RW

SL2163-WA

SL2163-WB

- Premium black powder coat wrinkle finish
- 1.2mm steel frame; 1-1/4" tubing
- 100% mig welded frame
- Two leg supports
- Non-marring glides (GL2160-WHITE is standard - other options are available but charged additional)
- Seat ships unattached - simple seat attachment required
- Stackable: No
- Frame load capacity: 300 lbs

Custom vinyl or upholstered seat options available. Visit <http://bit.ly/vinyl-upholstery-fabric> for available options!



Part #: GL2160-CLEAR Part #: GL234

Part #: GL2160-FELT Part #: GL2160-WHITE

All spec sheets are available in AutoQuotes or online at www.oakstreetmfg.com

	Crossback Chair	Approx. Weight
Black Vinyl Seat	SL2163-BLK	17 lbs
Buckskin Vinyl Seat	SL2163-BUC	17 lbs
Espresso Vinyl Seat	SL2163-ESP	17 lbs
Red Vinyl Seat	SL2163-RED	17 lbs
Wine Vinyl Seat	SL2163-WINE	17 lbs
Clear Coat Wood Seat	SL2163-NT	17 lbs
Mahogany Wood Seat	SL2163-MH	17 lbs
Cherry Wood Seat	SL2163-CH	17 lbs
Walnut Wood Seat	SL2163-WA	17 lbs
Black Wood Seat	SL2163-WB	17 lbs
Barnwood Wood Seat	SL2163-BW	17 lbs
Reclaimed Wood Seat	SL2163-RW	17 lbs
Frame Only - No Seat	SL2163-FRAME	13 lbs



Windowpane Metal Frame Barstool

Chairs & Stationary Barstools



SL2163-1-MH



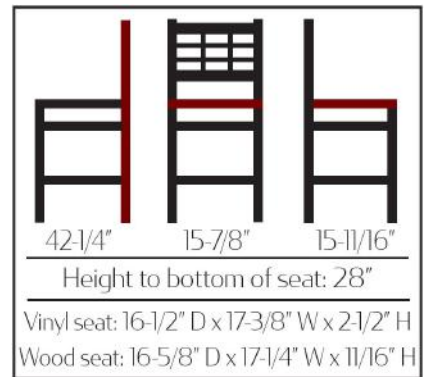
SL2163-1-NT SL2163-1-RW SL2163-1-WA SL2163-1-WB SL2163-1-BW SL2163-1-CH



SL2163-1-BLK SL2163-1-BUC SL2163-1-ESP SL2163-1-RED SL2163-1-WINE

- Premium black powder coat wrinkle finish
- 1.2mm steel frame; 1-1/4" tubing
- 100% mig welded frame
- Two leg supports
- Non-marring glides (GL2160-WHITE is standard - other options are available but charged additional)
- Seat ships unattached - simple seat attachment required
- Stackable: No
- Frame load capacity: 300 lbs

Custom vinyl or upholstered seat options available. Visit <http://bit.ly/vinyl-upholstery-fabric> for available options!



All spec sheets are available in AutoQuotes or online at www.oakstreetmfg.com

	Crossback Barstool	Approx. Weight
Black Vinyl Seat	SL2163-1-BLK	22 lbs
Buckskin Vinyl Seat	SL2163-1-BUC	22 lbs
Espresso Vinyl Seat	SL2163-1-ESP	22 lbs
Red Vinyl Seat	SL2163-1-RED	22 lbs
Wine Vinyl Seat	SL2163-1-WINE	22 lbs
Clear Coat Wood Seat	SL2163-1-NT	22 lbs
Mahogany Wood Seat	SL2163-1-MH	22 lbs
Cherry Wood Seat	SL2163-1-CH	22 lbs
Walnut Wood Seat	SL2163-1-WA	22 lbs
Black Wood Seat	SL2163-1-WB	22 lbs
Barnwood Wood Seat	SL2163-1-BW	22 lbs
Reclaimed Wood Seat	SL2163-1-RW	22 lbs
Frame Only - No Seat	SL2163-1-FRAME	18 lbs



Windowpane Metal Frame Barstool

Jailhouse Metal Frame Chair



SL4279-ESP



SL4279-RED

SL4279-WINE

SL4279-BLK

SL4279-BUC

SL4279-BW

SL4279-CH



SL4279-MH

SL4279-NT

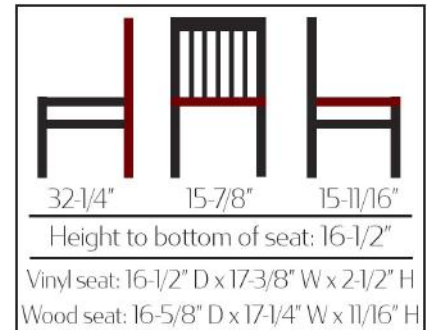
SL4279-RW

SL4279-WA

SL4279-WB

- Premium black powder coat wrinkle finish
- 1.2mm steel frame; 1-1/4" tubing
- 100% mig welded frame
- Standard leg supports
- Non-marring glides (GL2160-CLEAR/GL4279 are standard - other options are available but charged additional)
- Seat ships unattached - simple seat attachment required
- Stackable: No
- Frame load capacity: 300 lbs

Custom vinyl or upholstered seat options available. Visit <http://bit.ly/vinyl-upholstery-fabric> for available options!





Front Legs:
Part #: GL2160-CLEAR



Back Legs:
Part #: GL4279

All spec sheets are available in AutoQuotes or online at www.oakstreetmfg.com

	Jailhouse Chair	Approx. Weight
Black Vinyl Seat	SL4279-BLK	17 lbs
Buckskin Vinyl Seat	SL4279-BUC	17 lbs
Espresso Vinyl Seat	SL4279-ESP	17 lbs
Red Vinyl Seat	SL4279-RED	17 lbs
Wine Vinyl Seat	SL4279-WINE	17 lbs
Clear Coat Wood Seat	SL4279-N	17 lbs
Mahogany Wood Seat	SL4279-M	17 lbs
Cherry Wood Seat	SL4279-C	17 lbs
Walnut Wood Seat	SL4279-WA	17 lbs
Black Wood Seat	SL4279-WB	17 lbs
Barnwood Wood Seat	SL4279-BW	17 lbs
Reclaimed Wood Seat	SL4279-RW	17 lbs
Frame Only - No Seat	SL4279-FRAME	13 lbs



Jailhouse Metal Frame Barstool



SL4279-I-NT



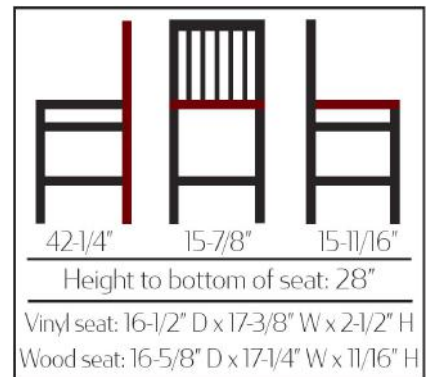
SL4279-I-RW SL4279-I-WA SL4279-I-WB SL4279-I-BW SL4279-I-CH SL4279-I-MH



SL4279-I-BLK SL4279-I-BUC SL4279-I-ESP SL4279-I-RED SL4279-I-WINE

- Premium black powder coat wrinkle finish
- 1.2mm steel frame; 1-1/4" tubing
- 100% mig welded frame
- Standard leg supports
- Non-marring glides (GL2160-CLEAR/GL4279 are standard - other options are available but charged additional)
- Seat ships unattached - simple seat attachment required
- Stackable: No
- Frame load capacity: 300 lbs

Custom vinyl or upholstered seat options available. Visit <http://bit.ly/vinyl-upholstery-fabric> for available options!





Front Legs:
Part #: GL2160-CLEAR



Back Legs:
Part #: GL4279

All spec sheets are available in AutoQuotes or online at www.oakstreetmfg.com

	Jailhouse Barstool	Approx. Weight
Black Vinyl Seat	SL4279-I-BLK	22 lbs
Buckskin Vinyl Seat	SL4279-I-BUC	22 lbs
Espresso Vinyl Seat	SL4279-I-ESP	22 lbs
Red Vinyl Seat	SL4279-I-RED	22 lbs
Wine Vinyl Seat	SL4279-I-WINE	22 lbs
Clear Coat Wood Seat	SL4279-I-N	22 lbs
Mahogany Wood Seat	SL4279-I-M	22 lbs
Cherry Wood Seat	SL4279-I-C	22 lbs
Walnut Wood Seat	SL4279-I-WA	22 lbs
Black Wood Seat	SL4279-I-WB	22 lbs
Barnwood Wood Seat	SL4279-I-BW	22 lbs
Reclaimed Wood Seat	SL4279-I-RW	22 lbs
Frame Only - No Seat	SL4279-I-FRAME	18 lbs

Schoolhouse Wood Frame Seating

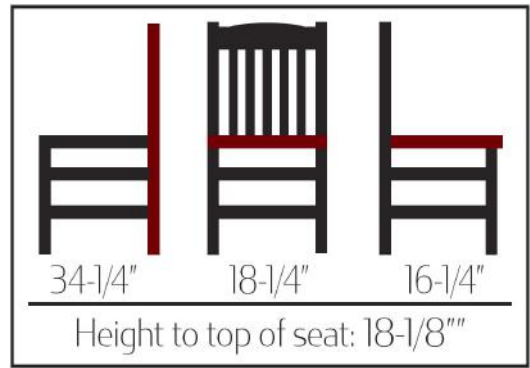


CW-554-WA



CW-554-MH

Schoolhouse Chair

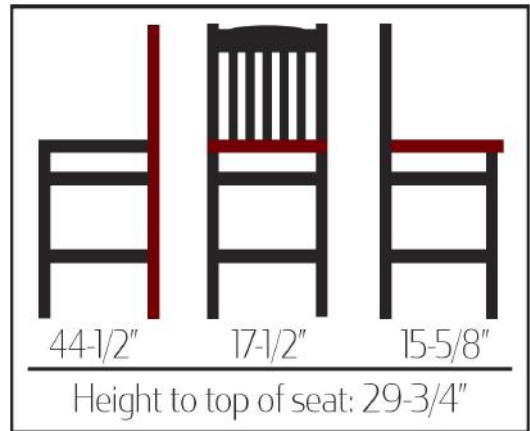


BW-554-WA



BW-554-MH

Schoolhouse Barstool



- Frame & matching solid wood seat constructed of solid European beech
- Available in Walnut or Mahogany stains
- Two leg supports
- Bolt-through design eliminates common problems associated with traditional wood fastening systems
- Non-marring glides
- Stackable: No

	Walnut Finish	Mahogany Finish	Approx. Weight
Schoolhouse Chair	CW-554-WA	CW-554-MH	20 lbs
Schoolhouse Barstool	BW-554-WA	BW-554-MH	24 lbs

Elbow Metal Frame Seating

Chairs & Stationary Barstools



CM-6063-NT-BLK



CM-6063-DW-BLK



BM-6063-NT-BLK



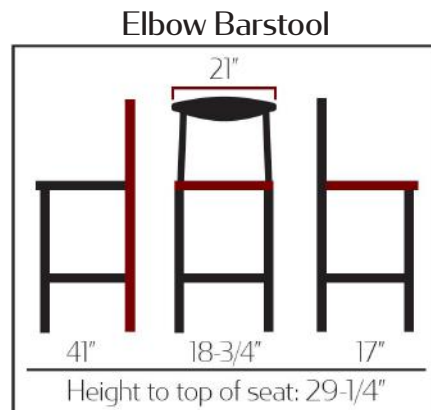
BM-6063-DW-BLK



	Natural Frame Finish w/ Seat Part #	Driftwood Frame Finish w/ Seat Part #	Approx. Weight
Elbow Chair	CM-6063-NT-BLK	CM-6063-WA-BLK	14 lbs
Elbow Barstool	BM-6063-NT-BLK	BM-6063-WA-BLK	18 lbs

- 1.2mm metal frame with faux natural clear coat or driftwood wood grain finish
- Black vinyl seat
 - Barstool seat ships assembled
 - Chair seat ships unassembled
- Stackable: No
- Non-marring poly glides
- For indoor use only

Custom vinyl or upholstered seat options available. Visit <http://bit.ly/vinyl-upholstery-fabric> for available options!



Harbor Wood Frame Seating



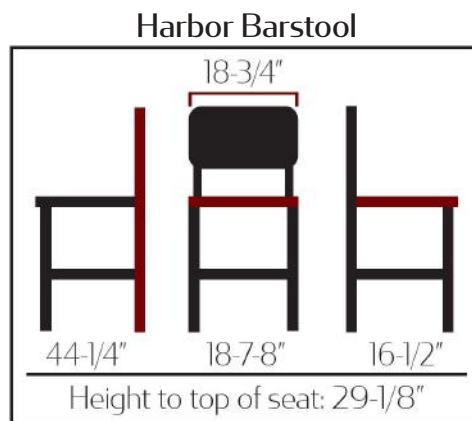
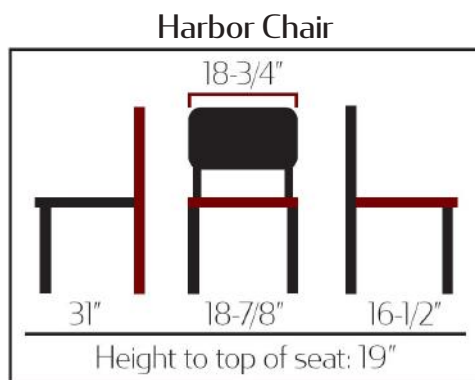
CW-0234-NT-BLK



BW-0234-NT-BLK

- Beech wood frame construction
- Natural clear coat frame finish
- Black vinyl seat & back
- Non-marring poly glides
- Ships assembled
- Stackable: No
- For indoor use only

	Part #	Approx. Weight
Harbor Chair	CW-0234-NT-BLK	23 lbs
Harbor Barstool	BW-0234-NT-BLK	26 lbs





CW-0439-NT-BLK

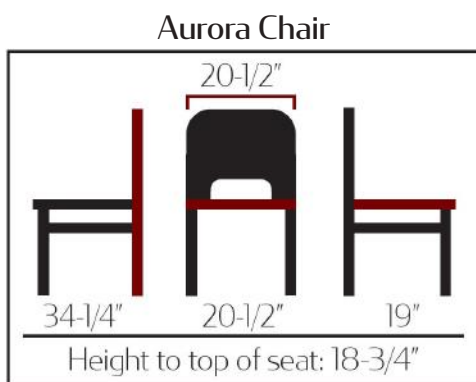


BW-0439-NT-BLK

- Beech wood frame construction
- Natural clear coat frame finish
- Black vinyl seat
- Non-marring poly glides
- Ships assembled
- Stackable: No
- For indoor use only

Custom vinyl or upholstered seat options available. Visit <http://bit.ly/vinyl-upholstery-fabric> for available options!

	Part #	Approx. Weight
Aurora Chair	CW-0439-NT-BLK	20 lbs
Aurora Barstool	BW-0439-NT-BLK	22 lbs

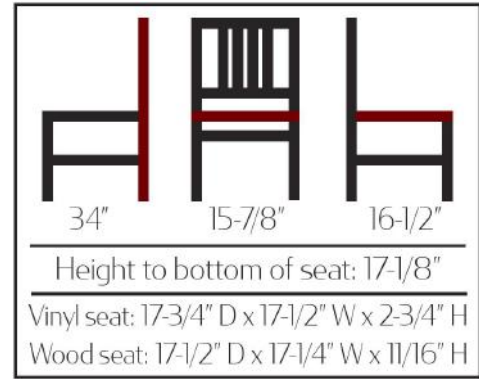


Steel Metal Frame Seating



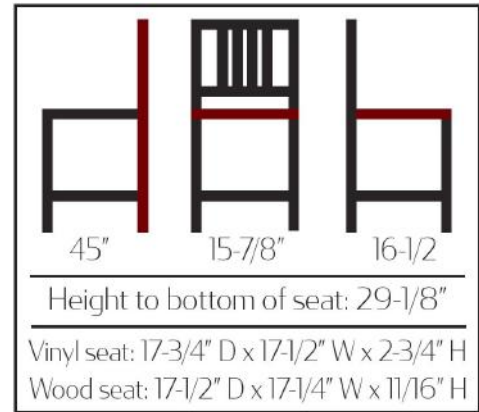
CM-256-NT

CM-256-BLK



BM-256-NT

BM-256-BLK



- Available with 5/8" clear coat wood seat or 2-1/2" black vinyl seat
- 1.5mm 100% welded steel frame
- 1-1/8" tubular construction
- Silver finish
- Non-marring poly glides
- Seat ships unattached - simple seat attachment required
- Stackable: No
- For indoor use only



	Clear Coat Wood Seat	Black Vinyl Seat	Approx. Weight	Frame Only - No Seat	Approx. Weight
Steel Chair	CM-256-NT	CM-256-BLK	20 lbs	CM-256-STEEL-FRAME	16 lbs
Steel Barstool	BM-256-NT	BM-256-BLK	23 lbs	BM-256-STEEL-FRAME	19 lbs

Navy Metal Frame Seating

Chairs & Stationary Barstools



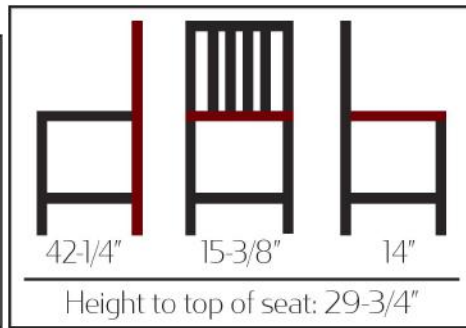
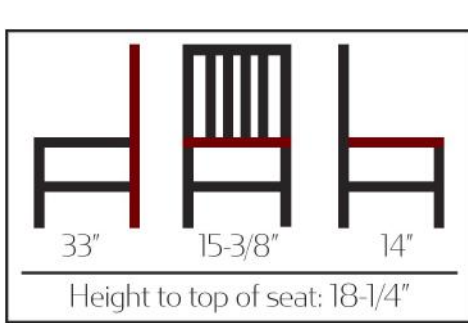
CM-252-ALM



BM-252-ALM

- Lightweight construction with modern line design
- 1.5mm 100% welded aluminum frame
- 1-1/8" tubular construction
- Premium, extended-life, non-marring poly glides
- Ships assembled
- **For indoor and outdoor use!**
- Chair weight: 10 lbs Barstool weight: 18 lbs

	Part #	Approx. Weight
Navy Chair	CM-252-ALM	10 lbs
Navy Barstool	BM-252-ALM	18 lbs



Timber 2.0 Metal Frame Wood Back Seating



CM-W702-2-TI

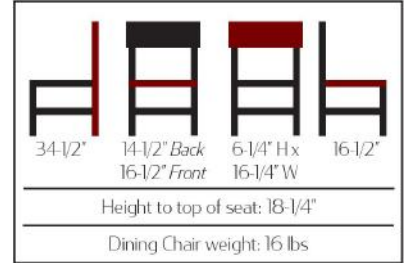


CM-W702-2-NT



CM-W702-2-WB

Timber 2.0 Chair



BM-W702-2-TI



BM-W702-2-NT



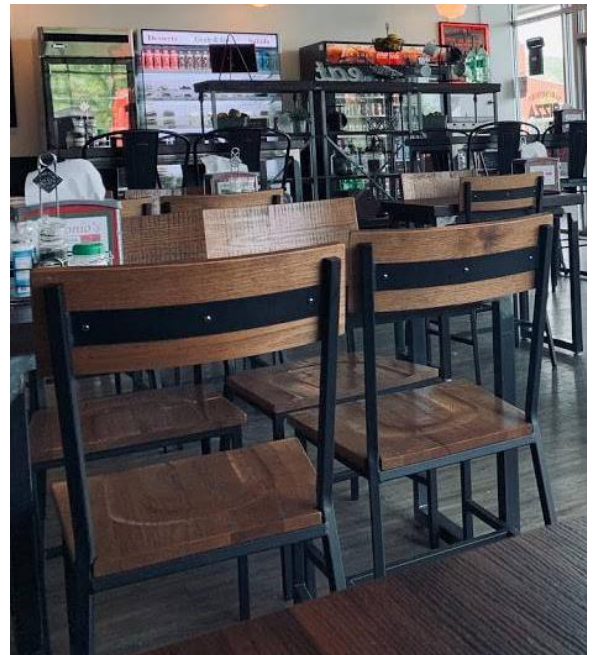
BM-W702-2-WB

Timber 2.0 Barstool



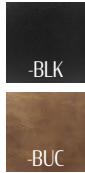
- 7/8" thick wood seat & back available in distressed Timber stain, Clear Coat finish & Black stain
- 1.2mm steel frame; 3/4" tubing; 100% mig welded
- Premium, extended-life, non-marring glides
- Black sandtex finish
- Ships assembled
- Stackable: No
- For indoor use only

	Timber stain Part #	Clear Coat finish Part #	Black stain Part #	Approx. Weight
Timber Chair	CM-W702-2-TI	CM-W702-2-NT	CM-W702-2-BLK	16 lbs
Timber Barstool	BM-W702-2-TI	BM-W702-2-NT	BM-W702-2-BLK	18 lbs



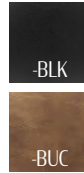
Splendor Metal Chair Frame

Chairs & Stationary Barstools



SL271-TUF-BLK
Splendor chair frame with tufted back bucket seat (black vinyl)

Weight: 26 lbs



SL271-CUT-BLK
Splendor chair frame with cutout back bucket seat (black vinyl)

Weight: 26 lbs



SL271-DOM-BLK
Splendor chair frame with American Made bucket seat (black vinyl)

Weight: 26 lbs



SL271-IMP-BLK
Splendor chair frame with Standard bucket seat (black vinyl)

Weight: 26 lbs



Chair Frame Dimensions:
16.5" H x 16.25" D x 15.5" W



SL271-WP-BLK
Splendor chair frame with windowpane back & black vinyl seat

Weight: 25 lbs



SL271-VB-BLK
Splendor chair frame with vertical back & black vinyl seat

Weight: 25 lbs



SL271-LB-BLK
Splendor chair frame with ladderback & black vinyl seat

Weight: 25 lbs



Splendor Metal Chair Frame

Outlander Metal Frame Wood Back Seating



CM-6058

BM-6058

Outlander Chair



Outlander Barstool



- 3/4" thick Beech wood seat & back in Walnut stain
- 1/4" steel tubing
- 100% welded metal frame in dark gray graphite finish
- Non-marring poly glides
- Ships assembled
- Stackable: No
- For indoor use only

	Part #	Approx. Weight
Outlander Chair	CM-6058	23 lbs
Outlander Barstool	BM-6058	26 lbs



XL Button Top Stationary Metal Frame Barstool



BB-288-RED



BB-288-WINE



BB-288-BLK



BB-288-ESP



BB-288-CCS-ESP



BB-288-CCS-RED

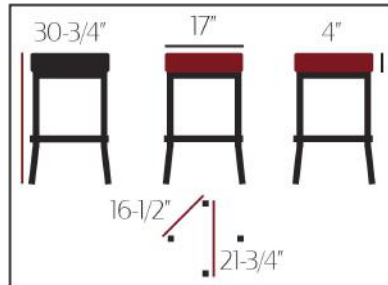


BB-288-CCS-WINE



BB-288-CCS-BLK

- Black powder coat stationary frame with single chrome rung
- All welded frame for superior durability
- Non-marring poly glides
- Button top seat has a plywood core with extra dense foam cushion
- Quality fabric-backed, commercial-grade vinyl
- Available with black, wine, red & espresso vinyl seats
- Button top seat ships unattached - simple seat attachment required
- Weight: 20 lbs



- Premium clear coat stationary frame with single chrome rung
- All welded frame for superior durability
- Non-marring poly glides
- Button top seat has a plywood core with extra dense foam cushion
- Quality fabric-backed, commercial-grade vinyl
- Available with black, wine, red & espresso vinyl seats
- Button top seat ships unattached - simple seat attachment required
- Weight: 20 lbs

	Black Vinyl Seat	Espresso Vinyl Seat	Red Vinyl Seat	Wine Vinyl Seat	Approx. Weight
XL Button Top Barstool with Stationary Black Powder Coat Frame	BB-288-BLK	BB-288-ESP	BB-288-RED	BB-288-WINE	20 lbs
XL Button Top Barstool with Stationary Clear Coat Frame	BB-288-CCS-BLK	BB-288-CCS-ESP	BB-288-CCS-RED	BB-288-CCS-WINE	20 lbs



Kidney Metal Frame Wood Back Chair



CM-262-DW-BLK



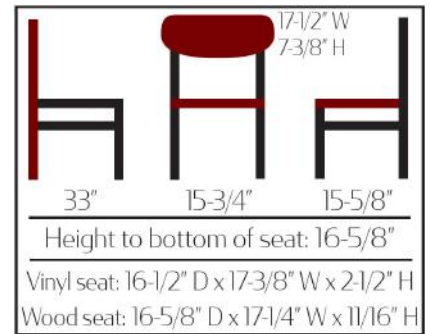
CM-262-DW-BUC CM-262-DW-ESP CM-262-DW-WINE CM-262-DW-RED CM-262-DW



CM-262-WA-BUC CM-262-WA-ESP CM-262-WA-WINE CM-262-WA-RED CM-262-WA CM-262-WA-BLK



- Walnut or Driftwood stain wood back in kidney bean shape
- Premium black powder coat wrinkle finish
- 1.2mm steel; 1-1/4" tubing; 100% mig welded frame
- Standard leg supports
- Non-marring glides (GL2160-CLEAR is standard - other options are available but charged additional)
- Wood backs ship attached. Seats ship unattached - simple seat attachment required
- Stackable: No
- Frame load capacity: 300 lbs



All spec sheets are available in AutoQuotes or online at www.oakstreetmfg.com



	Kidney Wood Back Chair - Walnut stain back	Kidney Wood Back Chair - Driftwood stain back	Approx. Weight
Black Vinyl Seat	CM-262-WA-BLK	CM-262-DW-BLK	16 lbs
Buckskin Vinyl Seat	CM-262-WA-BUC	CM-262-DW-BUC	16 lbs
Espresso Vinyl Seat	CM-262-WA-ESP	CM-262-DW-ESP	16 lbs
Red Vinyl Seat	CM-262-WA-RED	CM-262-DW-RED	16 lbs
Wine Vinyl Seat	CM-262-WA-WINE	CM-262-DW-WINE	16 lbs
Matching Wood Seat	CM-262-WA	CM-262-DW	16 lbs
Frame Only - No Seat	CM-262-WA-FRAME	CM-262-DW-FRAME	12 lbs

Custom vinyl or upholstered seat options available. Visit <http://bit.ly/vinyl-upholstery-fabric> for available options!

Kidney Metal Frame Wood Back Barstool



BM-262-WA



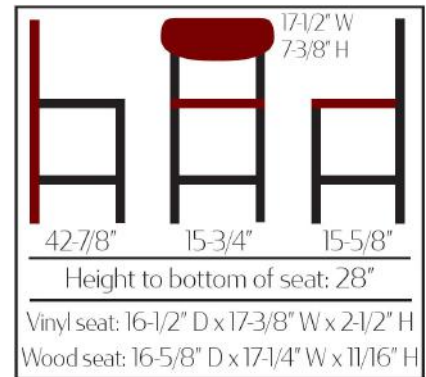
BM-262-WA-BLK BM-262-WA-BUC BM-262-WA-ESP BM-262-WA-WINE BM-262-WA-RED



BM-262-DW-BLK BM-262-DW-BUC BM-262-DW-ESP BM-262-DW-WINE BM-262-DW-RED BM-262-DW



- Walnut or Driftwood stain wood back in kidney bean shape
- Premium black powder coat wrinkle finish
- 1.2mm steel; 1-1/4" tubing; 100% mig welded frame
- Standard leg supports
- Non-marring glides (GL2160-CLEAR is standard - other options are available but charged additional)
- Wood backs ship attached. Seats ship unattached - simple seat attachment required
- Stackable: No
- Frame load capacity: 300 lbs



All spec sheets are available in AutoQuotes or online at www.oakstreetmfg.com



	Kidney Wood Back Barstool - Walnut stain back	Kidney Wood Back Barstool - Driftwood stain back	Approx. Weight
Black Vinyl Seat	BM-262-WA-BLK	BM-262-DW-BLK	19 lbs
Buckskin Vinyl Seat	BM-262-WA-BUC	BM-262-DW-BUC	19 lbs
Espresso Vinyl Seat	BM-262-WA-ESP	BM-262-DW-ESP	19 lbs
Red Vinyl Seat	BM-262-WA-RED	BM-262-DW-RED	19 lbs
Wine Vinyl Seat	BM-262-WA-WINE	BM-262-DW-WINE	19 lbs
Matching Wood Seat	BM-262-WA	BM-262-DW	19 lbs
Frame Only - No Seat	BM-262-WA-FRAME	BM-262-DW-FRAME	15 lbs

Custom vinyl or upholstered seat options available. Visit <http://bit.ly/vinyl-upholstery-fabric> for available options!

5 Line (Black) Metal Frame Wood Back Chair



SL2150-5-WB-RED



SL2150-5-WB SL2150-5-WB-WINE SL2150-5-WB-BW SL2150-5-WB-BLK SL2150-5-MH SL2150-5-MH-WINE



SL2150-5-MH-WB SL2150-5-MH-BLK SL2150-5-NT SL2150-5-NT-ESP SL2150-5-NT-WB SL2150-5-NT-BLK



SL2150-5-CH SL2150-5-CH-BLK SL2150-5-CH-WB SL2150-5-CH-ESP SL2150-5-WA SL2150-5-WA-BUC SL2150-5-WA-WB SL2150-5-WA-ESP SL2150-5-WA-RW

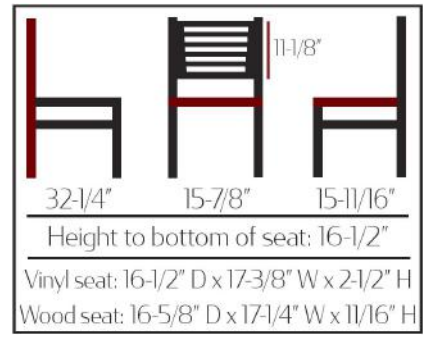
Custom vinyl or upholstered seat options available. Visit <http://bit.ly/vinyl-upholstery-fabric> for available options!

Chair part numbers are as follows:

SL2150-Back Style-Back Stain-Seat Option (e.g. SL2150-5-NT-BLK)
**Note: If seat option is matching wood seat, simply indicate the stain only (e.g. SL2150-5-WA).*

	5 Line Wood Back Chair	Approx. Weight
Black Vinyl Seat	SL2150-5(-)-BLK	15 lbs
Buckskin Vinyl Seat	SL2150-5(-)-BUC	15 lbs
Espresso Vinyl Seat	SL2150-5(-)-ESP	15 lbs
Red Vinyl Seat	SL2150-5(-)-RED	15 lbs
Wine Vinyl Seat	SL2150-5(-)-WINE	15 lbs
Clear Coat Wood Seat	SL2150-5(-)-NT	15 lbs
Mahogany Wood Seat	SL2150-5(-)-MH	15 lbs
Cherry Wood Seat	SL2150-5(-)-CH	15 lbs
Walnut Wood Seat	SL2150-5(-)-WA	15 lbs
Black Wood Seat	SL2150-5(-)-WB	15 lbs
Barnwood Wood Seat	SL2150-5(-)-BW	15 lbs
Reclaimed Wood Seat	SL2150-5(-)-RW	15 lbs
Frame Only - No Seat	SL2150-5(-)-FRAME	11 lbs

- Wood backs available in: black, walnut, cherry, mahogany & clear coat finishes
- Premium black powder coat wrinkle finish
- 1.2mm steel; 1-1/4" tubing; 100% mig welded frame
- Standard leg supports
- Non-marring glides (GL2160-CLEAR is standard - other options are available but charged additional)
- Wood backs ship attached. Seats ship unattached - simple seat attachment required
- Stackable: No
- Frame load capacity: 300 lbs



5 Line (Black) Metal Frame Wood Back Barstool



SL2150-15-WA



SL2150-15-WA-BUC SL2150-15-WA-RW SL2150-15-WA-BLK SL2150-15-WA-WB SL2150-15-NT-RED SL2150-15-NT



SL2150-15-NT-BLK SL2150-15-NT-WB SL2150-15-MH-WINE SL2150-15-MH SL2150-15-MH-BLK SL2150-15-MH-WB



SL2150-15-CH-BLK SL2150-15-CH SL2150-15-CH-ESP SL2150-15-CH-WB SL2150-15-WB-BLK SL2150-15-WB SL2150-15-WB-WINE SL2150-15-WB-NT SL2150-15-WB-BUC

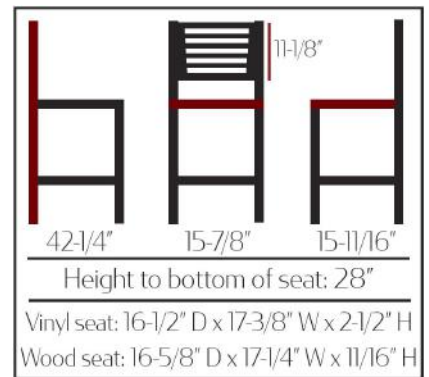
All spec sheets are available in AutoQuotes or online at www.oakstreetmfg.com

Barstool part numbers are as follows:

SL2150-1-Back Style-Back Stain-Seat Option (e.g. SL2150-15-NT-BLK)

*Note: If seat option is matching wood seat, simply indicate the stain only (e.g. SL2150-15-WA).

- Wood backs available in: black, walnut, cherry, mahogany & clear coat finishes
- Premium black powder coat wrinkle finish
- 1.2mm steel; 1-1/4" tubing; 100% mig welded frame
- Standard leg supports
- Non-marring glides (GL2160-CLEAR is standard - other options are available but charged additional)
- Wood backs ship attached. Seats ship unattached - simple seat attachment required
- Stackable: No
- Frame load capacity: 300 lbs



5 Line Wood Back Barstool		Approx. Weight
Black Vinyl Seat	SL2150-15(-)BLK	20 lbs
Buckskin Vinyl Seat	SL2150-15(-)BUC	20 lbs
Espresso Vinyl Seat	SL2150-15(-)ESP	20 lbs
Red Vinyl Seat	SL2150-15(-)RED	20 lbs
Wine Vinyl Seat	SL2150-15(-)WINE	20 lbs
Clear Coat Wood Seat	SL2150-15(-)NT	20 lbs
Mahogany Wood Seat	SL2150-15(-)MH	20 lbs
Cherry Wood Seat	SL2150-15(-)CH	20 lbs
Walnut Wood Seat	SL2150-15(-)WA	20 lbs
Black Wood Seat	SL2150-15(-)WB	20 lbs
Barnwood Wood Seat	SL2150-15(-)BW	20 lbs
Reclaimed Wood Seat	SL2150-15(-)RW	20 lbs
Frame Only - No Seat	SL2150-15(-)FRAME	16 lbs



5 Line (Clear Coat) Metal Frame Wood Back Chair



SL2150CCS-5-NT-ESP



SL2150CCS-5-NT

SL2150CCS-5-NT-WINE

SL2150CCS-5-NT-WA

SL2150CCS-5-NT-BUC

SL2150CCS-5-MH

SL2150CCS-5-MH-WINE



SL2150CCS-5-MH-WB

SL2150CCS-5-MH-BLK

SL2150CCS-5-WB

SL2150CCS-5-WB-BLK

SL2150CCS-5-WB-BW

SL2150CCS-5-WB-RED



SL2150CCS-5-CH

SL2150CCS-5-CH-BLK

SL2150CCS-5-CH-WB

SL2150CCS-5-CH-ESP

SL2150CCS-5-WA

SL2150CCS-5-WA-BUC

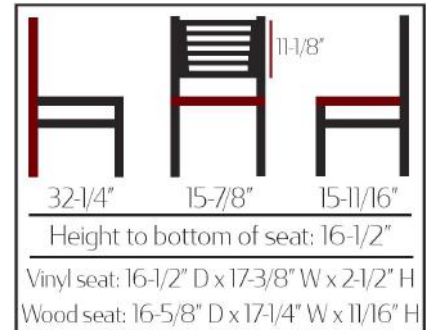
SL2150CCS-5-WA-RW

SL2150CCS-5-WA-ESP

SL2150CCS-5-WA-WB



- Wood backs available in: black, walnut, cherry, mahogany & clear coat finishes
- Premium clear coat finish
- 1.2mm steel frame; 1-1/4" tubing; 100% mig welded frame
- Standard leg supports
- Non-marring glides (GL2160-CLEAR is standard - other options are available but charged additional)
- Wood backs ship attached. Seats ship unattached - simple seat attachment required
- Stackable: No
- Frame load capacity: 300 lbs



	5 Line Wood Back - Clear Coat Frame Chair	Approx. Weight
Black Vinyl Seat	SL2150CCS-5-(-)BLK	15 lbs
Buckskin Vinyl Seat	SL2150CCS-5-(-)BUC	15 lbs
Espresso Vinyl Seat	SL2150CCS-5-(-)ESP	15 lbs
Red Vinyl Seat	SL2150CCS-5-(-)RED	15 lbs
Wine Vinyl Seat	SL2150CCS-5-(-)WINE	15 lbs
Clear Coat Wood Seat	SL2150CCS-5-(-)NT	15 lbs
Mahogany Wood Seat	SL2150CCS-5-(-)MH	15 lbs
Cherry Wood Seat	SL2150CCS-5-(-)CH	15 lbs
Walnut Wood Seat	SL2150CCS-5-(-)WA	15 lbs
Black Wood Seat	SL2150CCS-5-(-)WB	15 lbs
Barnwood Wood Seat	SL2150CCS-5-(-)BW	15 lbs
Reclaimed Wood Seat	SL2150CCS-5-(-)RW	15 lbs
Frame Only - No Seat	SL2150CCS-5-(-)FRAME	11 lbs



5 Line (Clear Coat) Metal Frame Wood Back Barstool



SL2150CCS-15-MH



SL2150CCS-15-MH-BLK

SL2150CCS-15-MH-WB

SL2150CCS-15-MH-WINE

SL2150CCS-15-MH-NT

SL2150CCS-15-NT-ESP

SL2150CCS-15-NT



SL2150CCS-15-NT-BLK

SL2150CCS-15-NT-MH

SL2150CCS-15-WA-BUC

SL2150CCS-15-WA

SL2150CCS-15-WA-ESP

SL2150CCS-15-WA-NT



SL2150CCS-15-CH-BLK

SL2150CCS-15-CH

SL2150CCS-15-CH-RED

SL2150CCS-15-CH-WB

SL2150CCS-15-WB-BLK

SL2150CCS-15-WB

SL2150CCS-15-WB-WINE

SL2150CCS-15-WB-CH

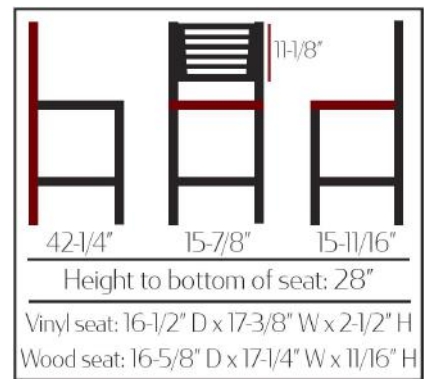
SL2150-15H-WB-WINE

Custom vinyl or upholstered seat options available. Visit <http://bit.ly/vinyl-upholstery-fabric> for available options!

**Barstool part numbers are as follows:
SL2150CCS-1-Back Style-Back Stain-Seat Option
(e.g. SL2150CCS-15-NT-BLK)**

***Note: If seat option is matching wood seat, simply indicate the stain only (e.g. SL2150CCS-15-WA).**

- Wood backs available in: black, walnut, cherry, mahogany & clear coat finishes
- Premium clear coat finish
- 1.2mm steel frame; 1-1/4" tubing; 100% mig welded frame
- Standard leg supports
- Non-marring glides (GL2160-CLEAR is standard - other options are available but charged additional)
- Wood backs ship attached. Seats ship unattached - simple seat attachment required
- Stackable: No
- Frame load capacity: 300 lbs



	5 Line Wood Back - Clear Coat Frame Barstool	Approx. Weight
Black Vinyl Seat	SL2150CCS-15(-)BLK	20 lbs
Buckskin Vinyl Seat	SL2150CCS-15(-)BUC	20 lbs
Espresso Vinyl Seat	SL2150CCS-15(-)ESP	20 lbs
Red Vinyl Seat	SL2150CCS-15(-)RED	20 lbs
Wine Vinyl Seat	SL2150CCS-15(-)WINE	20 lbs
Clear Coat Wood Seat	SL2150CCS-15(-)NT	20 lbs
Mahogany Wood Seat	SL2150CCS-15(-)MH	20 lbs
Cherry Wood Seat	SL2150CCS-15(-)CH	20 lbs
Walnut Wood Seat	SL2150CCS-15(-)WA	20 lbs
Black Wood Seat	SL2150CCS-15(-)WB	20 lbs
Barnwood Wood Seat	SL2150CCS-15(-)BW	20 lbs
Reclaimed Wood Seat	SL2150CCS-15(-)RW	20 lbs
Frame Only - No Seat	SL2150CCS-15(-)FRAME	16 lbs



Bullseye (Black) Metal Frame Wood Back Chair



SL2150-B-CH-BLK



SL2150-B-CH SL2150-B-CH-ESP SL2150-B-CH-WB SL2150-B-CH-RED SL2150-B-MH SL2150-B-MH-WINE



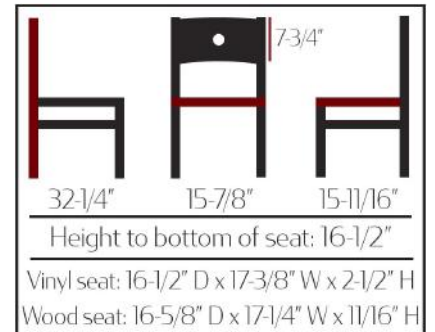
SL2150-B-MH-WB SL2150-B-MH-BLK SL2150-B-NT SL2150-B-NT-ESP SL2150-B-NT-WB SL2150-B-NT-BLK



SL2150-B-WB SL2150-B-WB-BLK SL2150-B-WB-BW SL2150-B-WB-RED SL2150-B-WA SL2150-B-WA-BUC SL2150-B-WA-WB SL2150-B-WA-ESP SL2150-B-WA-RW



- Wood backs available in: black, walnut, cherry, mahogany & clear coat finishes
- Premium black powder coat wrinkle finish
- 1.2mm steel; 1-1/4" tubing; 100% mig welded frame
- Standard leg supports
- Non-marring glides (GL2160-CLEAR is standard - other options are available but charged additional)
- Wood backs ship attached. Seats ship unattached - simple seat attachment required
- Stackable: No
- Frame load capacity: 300 lbs



	Bullseye Wood Back Chair	Approx. Weight
Black Vinyl Seat	SL2150-B-(-)BLK	15 lbs
Buckskin Vinyl Seat	SL2150-B-(-)BUC	15 lbs
Espresso Vinyl Seat	SL2150-B-(-)ESP	15 lbs
Red Vinyl Seat	SL2150-B-(-)RED	15 lbs
Wine Vinyl Seat	SL2150-B-(-)WINE	15 lbs
Clear Coat Wood Seat	SL2150-B-(-)NT	15 lbs
Mahogany Wood Seat	SL2150-B-(-)MH	15 lbs
Cherry Wood Seat	SL2150-B-(-)CH	15 lbs
Walnut Wood Seat	SL2150-B-(-)WA	15 lbs
Black Wood Seat	SL2150-B-(-)WB	15 lbs
Barnwood Wood Seat	SL2150-B-(-)BW	15 lbs
Reclaimed Wood Seat	SL2150-B-(-)RW	15 lbs
Frame Only - No Seat	SL2150-B-(-)FRAME	11 lbs



Bullseye (Black) Metal Frame Wood Back Barstool



SL2150-1-B-NT



SL2150-1-B-NT-BLK SL2150-1-B-NT-WB SL2150-1-B-NT-WINE SL2150-1-B-NT-WA SL2150-1-B-WA-BUC SL2150-1-B-WA



SL2150-1-B-WA-BLK SL2150-1-B-WA-WB SL2150-1-B-MH-WINE SL2150-1-B-MH SL2150-1-B-MH-BLK SL2150-1-B-MH-WB



SL2150-1-B-CH-BLK SL2150-1-B-CH SL2150-1-B-CH-ESP SL2150-1-B-CH-WB SL2150-1-B-WB-BLK SL2150-1-B-WB SL2150-1-B-WB-BUC SL2150-1-B-WB-CH SL2150-1-B-WB-RED

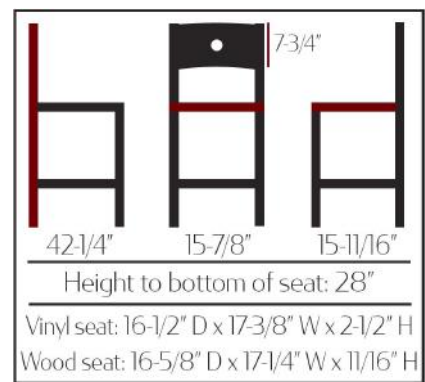
Custom vinyl or upholstered seat options available. Visit <http://bit.ly/vinyl-upholstery-fabric> for available options!

Barstool part numbers are as follows:

SL2150-1-Back Style-Back Stain-Seat Option (e.g. SL2150-1-B-NT-BLK)

**Note: If seat option is matching wood seat, simply indicate the stain only (e.g. SL2150-1-B-WA).*

- Wood backs available in: black, walnut, cherry, mahogany & clear coat finishes
- Premium black powder coat wrinkle finish
- 1.2mm steel; 1-1/4" tubing; 100% mig welded frame
- Standard leg supports
- Non-marring glides (GL2160-CLEAR is standard - other options are available but charged additional)
- Wood backs ship attached. Seats ship unattached - simple seat attachment required
- Stackable: No
- Frame load capacity: 300 lbs



	Bullseye Wood Back Barstool	Approx. Weight
Black Vinyl Seat	SL2150-1-B(-)BLK	20 lbs
Buckskin Vinyl Seat	SL2150-1-B(-)BUC	20 lbs
Espresso Vinyl Seat	SL2150-1-B(-)ESP	20 lbs
Red Vinyl Seat	SL2150-1-B(-)RED	20 lbs
Wine Vinyl Seat	SL2150-1-B(-)WINE	20 lbs
Clear Coat Wood Seat	SL2150-1-B(-)NT	20 lbs
Mahogany Wood Seat	SL2150-1-B(-)MH	20 lbs
Cherry Wood Seat	SL2150-1-B(-)CH	20 lbs
Walnut Wood Seat	SL2150-1-B(-)WA	20 lbs
Black Wood Seat	SL2150-1-B(-)WB	20 lbs
Barnwood Wood Seat	SL2150-1-B(-)BW	20 lbs
Reclaimed Wood Seat	SL2150-1-B(-)RW	20 lbs
Frame Only - No Seat	SL2150-1-B(-)FRAME	16 lbs



Bullseye (Clear Coat) Metal Frame Wood Back Chair



SL2150CCS-B-WB-BLK



SL2150CCS-B-WB

SL2150CCS-B-WB-BUC

SL2150CCS-B-WB-NT

SL2150CCS-B-WB-RED

SL2150CCS-B-MH

SL2150CCS-B-MH-WINE



SL2150CCS-B-MH-WB

SL2150CCS-B-MH-BLK

SL2150CCS-B-NT

SL2150CCS-B-NT-ESP

SL2150CCS-B-NT-BW

SL2150CCS-B-NT-BLK



SL2150CCS-B-CH

SL2150CCS-B-CH-BLK

SL2150CCS-B-CH-WB

SL2150CCS-B-CH-WINE

SL2150CCS-B-WA

SL2150CCS-B-WA-BUC

SL2150CCS-B-WA-RW

SL2150CCS-B-WA-ESP

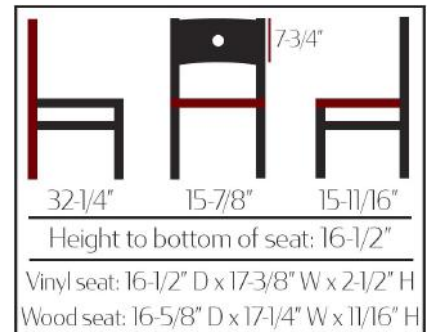
SL2150CCS-B-WA-WB

Custom vinyl or upholstered seat options available. Visit <http://bit.ly/vinyl-upholstery-fabric> for available options!

Chair part numbers are as follows:
SL2150CCS-Back Style-Back Stain-Seat Option
 (e.g. SL2150CCS-B-NT-BLK)

**Note: If seat option is matching wood seat, simply indicate the stain only (e.g. SL2150CCS-B-WA).*

- Wood backs available in: black, walnut, cherry, mahogany & clear coat finishes
- Premium clear coat finish
- 1.2mm steel frame; 1-1/4" tubing; 100% mig welded frame
- Standard leg supports
- Non-marring glides (GL2160-CLEAR is standard - other options are available but charged additional)
- Wood backs ship attached. Seats ship unattached - simple seat attachment required
- Stackable: No
- Frame load capacity: 300 lbs



	Bullseye Wood Back - Clear Coat Chair	Approx. Weight
Black Vinyl Seat	SL2150CCS-B(-)BLK	15 lbs
Buckskin Vinyl Seat	SL2150CCS-B(-)BUC	15 lbs
Espresso Vinyl Seat	SL2150CCS-B(-)ESP	15 lbs
Red Vinyl Seat	SL2150CCS-B(-)RED	15 lbs
Wine Vinyl Seat	SL2150CCS-B(-)WINE	15 lbs
Clear Coat Wood Seat	SL2150CCS-B(-)NT	15 lbs
Mahogany Wood Seat	SL2150CCS-B(-)MH	15 lbs
Cherry Wood Seat	SL2150CCS-B(-)CH	15 lbs
Walnut Wood Seat	SL2150CCS-B(-)WA	15 lbs
Black Wood Seat	SL2150CCS-B(-)WB	15 lbs
Barnwood Wood Seat	SL2150CCS-B(-)BW	15 lbs
Reclaimed Wood Seat	SL2150CCS-B(-)RW	15 lbs
Frame Only - No Seat	SL2150CCS-B(-)FRAME	11 lbs



Bullseye (Clear Coat) Metal Frame Wood Back Barstool

Chairs & Stationary Barstools

Bullseye (Clear Coat) Metal Frame Wood Back Barstool



SL2150CCS-1-B-WA



SL2150CCS-1-B-WA-BUC

SL2150CCS-1-B-WA-RW

SL2150CCS-1-B-WA-WINE

SL2150CCS-1-B-WA-WB

SL2150CCS-1-B-NT-ESP

SL2150CCS-1-B-NT



SL2150CCS-1-B-NT-BUC

SL2150CCS-1-B-NT-WA

SL2150CCS-1-B-MH-WINE

SL2150CCS-1-B-MH

SL2150CCS-1-B-MH-BLK

SL2150CCS-1-B-MH-WB



SL2150CCS-1-B-CH-BLK

SL2150CCS-1-B-CH

SL2150CCS-1-B-CH-ESP

SL2150CCS-1-B-CH-WB

SL2150CCS-1-B-WB-BLK

SL2150CCS-1-B-WB

SL2150CCS-1-B-WB-RED

SL2150CCS-1-B-WB-NT

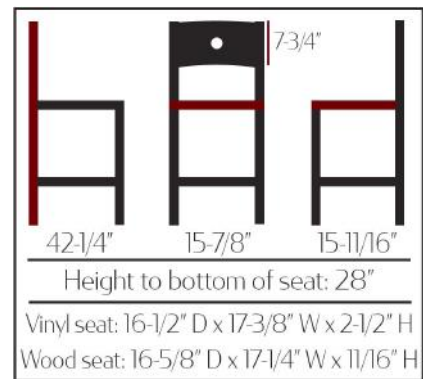
SL2150CCS-1-B-WB-WINE

All spec sheets are available in AutoQuotes or online at www.oakstreetmfg.com

**Barstool part numbers are as follows:
SL2150CCS-1-Back Style-Back Stain-Seat Option
(e.g. SL2150CCS-1-B-NT-BLK)**

***Note: If seat option is matching wood seat, simply indicate the stain only (e.g. SL2150CCS-1-B-WA).**

- Wood backs available in: black, walnut, cherry, mahogany & clear coat finishes
- Premium clear coat finish
- 1.2mm steel frame; 1-1/4" tubing; 100% mig welded frame
- Standard leg supports
- Non-marring glides (GL2160-CLEAR is standard - other options are available but charged additional)
- Wood backs ship attached. Seats ship unattached - simple seat attachment required
- Stackable: No
- Frame load capacity: 300 lbs



	Bullseye Wood Back - Clear Coat Barstool	Approx. Weight
Black Vinyl Seat	SL2150CCS-1-B(-)-BLK	20 lbs
Buckskin Vinyl Seat	SL2150CCS-1-B(-)-BUC	20 lbs
Espresso Vinyl Seat	SL2150CCS-1-B(-)-ESP	20 lbs
Red Vinyl Seat	SL2150CCS-1-B(-)-RED	20 lbs
Wine Vinyl Seat	SL2150CCS-1-B(-)-WINE	20 lbs
Clear Coat Wood Seat	SL2150CCS-1-B(-)-NT	20 lbs
Mahogany Wood Seat	SL2150CCS-1-B(-)-MH	20 lbs
Cherry Wood Seat	SL2150CCS-1-B(-)-CH	20 lbs
Walnut Wood Seat	SL2150CCS-1-B(-)-WA	20 lbs
Black Wood Seat	SL2150CCS-1-B(-)-WB	20 lbs
Barnwood Wood Seat	SL2150CCS-1-B(-)-BW	20 lbs
Reclaimed Wood Seat	SL2150CCS-1-B(-)-RW	20 lbs
Frame Only - No Seat	SL2150CCS-1-B(-)-FRAME	16 lbs



Plain / Custom (Black) Metal Frame Wood Back Chair



SL2150-P-MH-WINE



SL2150-P-MH SL2150-P-MH-BLK SL2150-P-MH-WB SL2150-P-MH-ESP SL2150-P-WB SL2150-P-WB-BLK



SL2150-P-WB-MH SL2150-P-WB-WINE SL2150-P-NT SL2150-P-NT-ESP SL2150-P-NT-WB SL2150-P-NT-BLK



SL2150-P-CH SL2150-P-CH-BLK SL2150-P-CH-WB SL2150-P-CH-RED SL2150-P-WA SL2150-P-WA-BUC SL2150-P-WA-WB SL2150-P-WA-ESP SL2150-P-WA-RW

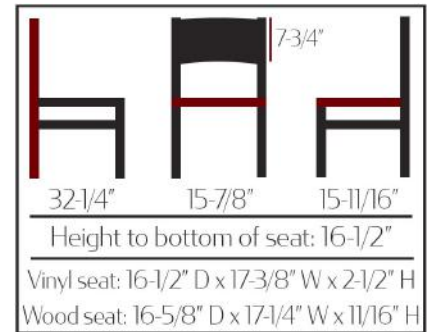
All spec sheets are available in AutoQuotes or online at www.oakstreetmfg.com

Chair part numbers are as follows:

SL2150-Back Style-Back Stain-Seat Option (e.g. SL2150-P-NT-BLK)

*Note: If seat option is matching wood seat, simply indicate the stain only (e.g. SL2150-CUSTOM-WA).

- Wood backs available in: black, walnut, cherry, mahogany & clear coat finishes
- Premium black powder coat wrinkle finish
- 1.2mm steel; 1-1/4" tubing; 100% mig welded frame
- Standard leg supports; frame load capacity: 300 lbs
- Non-marring glides (GL2160-CLEAR is standard - other options are available but charged additional)
- Wood backs ship attached. Seats ship unattached - simple seat attachment required
- Stackable: No



	Plain Wood Back Chair	Approx. Weight
Black Vinyl Seat	SL2150-P(-)BLK	15 lbs
Buckskin Vinyl Seat	SL2150-P(-)BUC	15 lbs
Espresso Vinyl Seat	SL2150-P(-)ESP	15 lbs
Red Vinyl Seat	SL2150-P(-)RED	15 lbs
Wine Vinyl Seat	SL2150-P(-)WINE	15 lbs
Clear Coat Wood Seat	SL2150-P(-)NT	15 lbs
Mahogany Wood Seat	SL2150-P(-)MH	15 lbs
Cherry Wood Seat	SL2150-P(-)CH	15 lbs
Walnut Wood Seat	SL2150-P(-)WA	15 lbs
Black Wood Seat	SL2150-P(-)WB	15 lbs
Barnwood Wood Seat	SL2150-P(-)BW	15 lbs
Reclaimed Wood Seat	SL2150-P(-)RW	15 lbs
Frame Only - No Seat	SL2150-P(-)FRAME	11 lbs



Plain / Custom (Black) Metal Frame Wood Back Barstool



SL2150-1-P-WB



SL2150-1-P-WB-BLK SL2150-1-P-WB-BW SL2150-1-P-WB-RED SL2150-1-P-WB-CH SL2150-1-P-NT-WINE SL2150-1-P-NT



SL2150-1-P-NT-BUC SL2150-1-P-NT-WB SL2150-1-P-MH-WINE SL2150-1-P-MH SL2150-1-P-MH-BLK SL2150-1-P-MH-WB

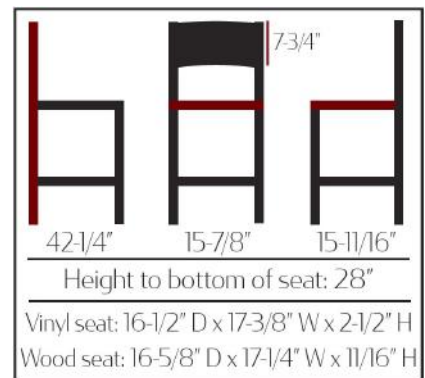


SL2150-1-P-CH-BLK SL2150-1-P-CH SL2150-1-P-CH-ESP SL2150-1-P-CH-WB SL2150-1-P-WA-BUC SL2150-1-P-WA SL2150-1-P-WA-BLK SL2150-1-P-WA-RW SL2150-1-P-WA-ESP

All spec sheets are available in AutoQuotes or online at www.oakstreetmfg.com

Barstool part numbers are as follows:
 SL2150-1-Back Style-Back Stain-Seat Option (e.g. SL2150-1-P-NT-BLK)
 *Note: If seat option is matching wood seat, simply indicate the stain only (e.g. SL2150-1-CUSTOM-WA).

- Wood backs available in: black, walnut, cherry, mahogany & clear coat finishes
- Premium black powder coat wrinkle finish
- 1.2mm steel; 1-1/4" tubing; 100% mig welded frame
- Standard leg supports; frame load capacity: 300 lbs
- Non-marring glides (GL2160-CLEAR is standard - other options are available but charged additional)
- Wood backs ship attached. Seats ship unattached - simple seat attachment required
- Stackable: No



	Plain Wood Back Barstool	Approx. Weight
Black Vinyl Seat	SL2150-1-P(-)BLK	20 lbs
Buckskin Vinyl Seat	SL2150-1-P(-)BUC	20 lbs
Espresso Vinyl Seat	SL2150-1-P(-)ESP	20 lbs
Red Vinyl Seat	SL2150-1-P(-)RED	20 lbs
Wine Vinyl Seat	SL2150-1-P(-)WINE	20 lbs
Clear Coat Wood Seat	SL2150-1-P(-)NT	20 lbs
Mahogany Wood Seat	SL2150-1-P(-)MH	20 lbs
Cherry Wood Seat	SL2150-1-P(-)CH	20 lbs
Walnut Wood Seat	SL2150-1-P(-)WA	20 lbs
Black Wood Seat	SL2150-1-P(-)WB	20 lbs
Barnwood Wood Seat	SL2150-1-P(-)BW	20 lbs
Reclaimed Wood Seat	SL2150-1-P(-)RW	20 lbs
Frame Only - No Seat	SL2150-1-P(-)FRAME	16 lbs



Plain / Custom (Clear Coat) Metal Frame Wood Back Chair



SL2150CCS-P-CH-BLK



SL2150CCS-P-CH

SL2150CCS-P-CH-ESP

SL2150CCS-P-CH-BW

SL2150CCS-P-CH-RED

SL2150CCS-P-WB

SL2150CCS-P-WB-BLK



SL2150CCS-P-WB-MH

SL2150CCS-P-WB-BUC

SL2150CCS-P-NT

SL2150CCS-P-NT-ESP

SL2150CCS-P-NT-RW

SL2150CCS-P-NT-WINE



SL2150CCS-P-MH

SL2150CCS-P-MH-WINE

SL2150CCS-P-MH-WB

SL2150CCS-P-MH-BLK

SL2150CCS-P-WA

SL2150CCS-P-WA-BUC

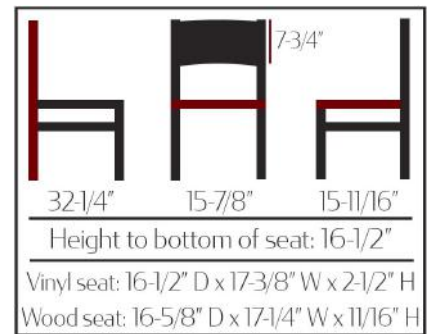
SL2150CCS-P-WA-NT

SL2150CCS-P-WA-BLK

SL2150CCS-P-WA-RW



- Wood backs available in: black, walnut, cherry, mahogany & clear coat finishes
- Premium clear coat finish
- 1.2mm steel frame; 1-1/4" tubing; 100% mig welded frame
- Standard leg supports; frame load capacity: 300 lbs
- Non-marring glides (GL2160-CLEAR is standard - other options are available but charged additional)
- Wood backs ship attached. Seats ship unattached - simple seat attachment required
- Stackable: No



	Plain Wood Back - Clear Coat Chair	Approx. Weight
Black Vinyl Seat	SL2150CCS-P(-)BLK	15 lbs
Buckskin Vinyl Seat	SL2150CCS-P(-)BUC	15 lbs
Espresso Vinyl Seat	SL2150CCS-P(-)ESP	15 lbs
Red Vinyl Seat	SL2150CCS-P(-)RED	15 lbs
Wine Vinyl Seat	SL2150CCS-P(-)WINE	15 lbs
Clear Coat Wood Seat	SL2150CCS-P(-)NT	15 lbs
Mahogany Wood Seat	SL2150CCS-P(-)MH	15 lbs
Cherry Wood Seat	SL2150CCS-P(-)CH	15 lbs
Walnut Wood Seat	SL2150CCS-P(-)WA	15 lbs
Black Wood Seat	SL2150CCS-P(-)WB	15 lbs
Barnwood Wood Seat	SL2150CCS-P(-)BW	15 lbs
Reclaimed Wood Seat	SL2150CCS-P(-)RW	15 lbs
Frame Only - No Seat	SL2150CCS-P(-)FRAME	11 lbs



Plain / Custom (Clear Coat) Metal Frame Wood Back Barstool

Chairs & Stationary Barstools

Plain / Custom (Clear Coat) Metal Frame Wood Back Barstool



SL2150CCS-1-P-NT



SL2150CCS-1-P-NT-ESP SL2150CCS-1-P-NT-WB SL2150CCS-1-P-NT-BUC SL2150CCS-1-P-NT-MH SL2150CCS-1-P-WB-BLK SL2150CCS-1-P-WB



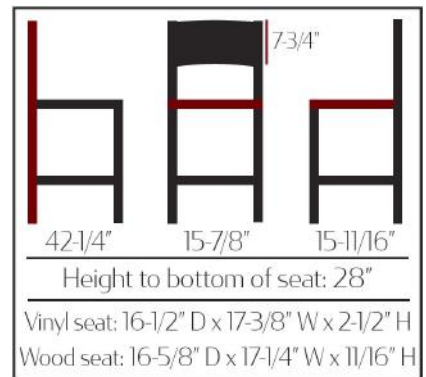
SL2150CCS-1-P-WB-RED SL2150CCS-1-P-WB-CH SL2150CCS-1-P-MH SL2150CCS-1-P-MH-WB SL2150CCS-1-P-MH-WINE SL2150CCS-1-P-MH-BLK



SL2150CCS-1-P-CH SL2150CCS-1-P-CH-ESP SL2150CCS-1-P-CH-NT SL2150CCS-1-P-WA-BUC SL2150CCS-1-P-WA SL2150CCS-1-P-WA-BLK SL2150CCS-1-P-WA-RW SL2150CCS-1-P-WA-ESP



- Wood backs available in: black, walnut, cherry, mahogany & clear coat finishes
- Premium clear coat finish
- 1.2mm steel frame; 1-1/4" tubing; 100% mig welded frame
- Standard leg supports; frame load capacity: 300 lbs
- Non-marring glides (GL2160-CLEAR is standard - other options are available but charged additional)
- Wood backs ship attached. Seats ship unattached - simple seat attachment required
- Stackable: No



	Plain Wood Back - Clear Coat Barstool	Approx. Weight
Black Vinyl Seat	SL2150CCS-1-P(-)BLK	20 lbs
Buckskin Vinyl Seat	SL2150CCS-1-P(-)BUC	20 lbs
Espresso Vinyl Seat	SL2150CCS-1-P(-)ESP	20 lbs
Red Vinyl Seat	SL2150CCS-1-P(-)RED	20 lbs
Wine Vinyl Seat	SL2150CCS-1-P(-)WINE	20 lbs
Clear Coat Wood Seat	SL2150CCS-1-P(-)NT	20 lbs
Mahogany Wood Seat	SL2150CCS-1-P(-)MH	20 lbs
Cherry Wood Seat	SL2150CCS-1-P(-)CH	20 lbs
Walnut Wood Seat	SL2150CCS-1-P(-)WA	20 lbs
Black Wood Seat	SL2150CCS-1-P(-)WB	20 lbs
Barnwood Wood Seat	SL2150CCS-1-P(-)BW	20 lbs
Reclaimed Wood Seat	SL2150CCS-1-P(-)RW	20 lbs
Frame Only - No Seat	SL2150CCS-1-P(-)FRAME	16 lbs



Shoreline (Black) Metal Frame Wood Back Chair



SL2150-SH-WA-BUC



SL2150-SH-WA SL2150-SH-WA-BLK SL2150-SH-WA-WB SL2150-SH-WA-ESP SL2150-SH-MH SL2150-SH-MH-WINE



SL2150-SH-MH-WB SL2150-SH-MH-BLK SL2150-SH-NT SL2150-SH-NT-ESP SL2150-SH-NT-WB SL2150-SH-NT-BLK



SL2150-SH-CH SL2150-SH-CH-BLK SL2150-SH-CH-WB SL2150-SH-CH-WINE SL2150-SH-WB SL2150-SH-WB-BLK SL2150-SH-WB-BW SL2150-SH-WB-RED SL2150-SH-WB-NT

All spec sheets are available in AutoQuotes or online at www.oakstreetmfg.com

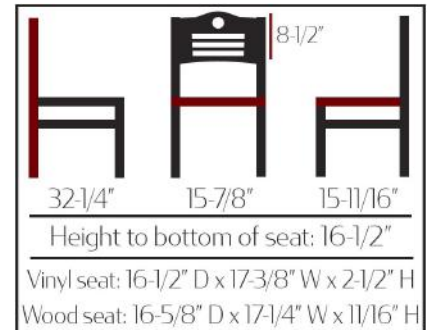
Chair part numbers are as follows:

SL2150-Back Style-Back Stain-Seat Option (e.g. SL2150-SH-NT-BLK)

*Note: If seat option is matching wood seat, simply indicate the stain only (e.g. SL2150-SH-WA).

	Shoreline Wood Back Chair	Approx. Weight
Black Vinyl Seat	SL2150-SH-()-BLK	15 lbs
Buckskin Vinyl Seat	SL2150-SH-()-BUC	15 lbs
Espresso Vinyl Seat	SL2150-SH-()-ESP	15 lbs
Red Vinyl Seat	SL2150-SH-()-RED	15 lbs
Wine Vinyl Seat	SL2150-SH-()-WINE	15 lbs
Clear Coat Wood Seat	SL2150-SH-()-NT	15 lbs
Mahogany Wood Seat	SL2150-SH-()-MH	15 lbs
Cherry Wood Seat	SL2150-SH-()-CH	15 lbs
Walnut Wood Seat	SL2150-SH-()-WA	15 lbs
Black Wood Seat	SL2150-SH-()-WB	15 lbs
Barnwood Wood Seat	SL2150-SH-()-BW	15 lbs
Reclaimed Wood Seat	SL2150-SH-()-RW	15 lbs
Frame Only - No Seat	SL2150-SH-()-FRAME	11 lbs

- Wood backs available in: black, walnut, cherry, mahogany & clear coat finishes
- Premium black powder coat wrinkle finish
- 1.2mm steel; 1-1/4" tubing; 100% mig welded frame
- Standard leg supports
- Non-marring glides (GL2160-CLEAR is standard - other options are available but charged additional)
- Wood backs ship attached. Seats ship unattached - simple seat attachment required
- Stackable: No
- Frame load capacity: 300 lbs



Shoreline (Black) Metal Frame Wood Back Barstool

Chairs & Stationary Barstools

Shoreline (Black) Metal Frame Wood Back Barstool



SL2150-1-SH-CH



SL2150-1-SH-CH-BLK SL2150-1-SH-CH-WB SL2150-1-SH-CH-ESP SL2150-1-SH-CH-NT SL2150-1-SH-NT-ESP SL2150-1-SH-NT



SL2150-1-SH-NT-BLK SL2150-1-SH-NT-WB SL2150-1-SH-MH-WINE SL2150-1-SH-MH SL2150-1-SH-MH-BLK SL2150-1-SH-MH-WB



SL2150-1-SH-WA-BUC SL2150-1-SH-WA SL2150-1-SH-WA-ESP SL2150-1-SH-WA-RW SL2150-1-SH-WB-BLK SL2150-1-SH-WB SL2150-1-SH-WB-RED SL2150-1-SH-WB-BW SL2150-1-SH-WB-WINE

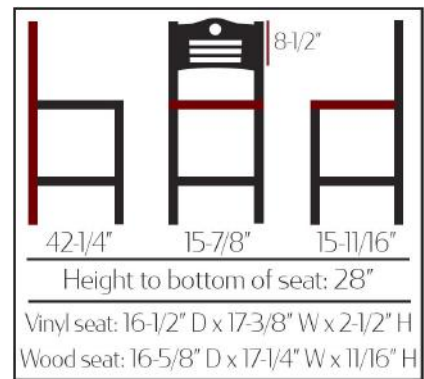
Custom vinyl or upholstered seat options available. Visit <http://bit.ly/vinyl-upholstery-fabric> for available options!

Barstool part numbers are as follows:

SL2150-1-Back Style-Back Stain-Seat Option (e.g. SL2150-1-SH-NT-BLK)

**Note: If seat option is matching wood seat, simply indicate the stain only (e.g. SL2150-1-SH-WA).*

- Wood backs available in: black, walnut, cherry, mahogany & clear coat finishes
- Premium black powder coat wrinkle finish
- 1.2mm steel; 1-1/4" tubing; 100% mig welded frame
- Standard leg supports
- Non-marring glides (GL2160-CLEAR is standard - other options are available but charged additional)
- Wood backs ship attached. Seats ship unattached - simple seat attachment required
- Stackable: No
- Frame load capacity: 300 lbs



Shoreline Wood Back Barstool		Approx. Weight
Black Vinyl Seat	SL2150-1-SH(-)-BLK	20 lbs
Buckskin Vinyl Seat	SL2150-1-SH(-)-BUC	20 lbs
Espresso Vinyl Seat	SL2150-1-SH(-)-ESP	20 lbs
Red Vinyl Seat	SL2150-1-SH(-)-RED	20 lbs
Wine Vinyl Seat	SL2150-1-SH(-)-WINE	20 lbs
Clear Coat Wood Seat	SL2150-1-SH(-)-NT	20 lbs
Mahogany Wood Seat	SL2150-1-SH(-)-MH	20 lbs
Cherry Wood Seat	SL2150-1-SH(-)-CH	20 lbs
Walnut Wood Seat	SL2150-1-SH(-)-WA	20 lbs
Black Wood Seat	SL2150-1-SH(-)-WB	20 lbs
Barnwood Wood Seat	SL2150-1-SH(-)-BW	20 lbs
Reclaimed Wood Seat	SL2150-1-SH(-)-RW	20 lbs
Frame Only - No Seat	SL2150-1-SH(-)-FRAME	16 lbs



Shoreline (Clear Coat) Metal Frame Wood Back Chair



SL2150CCS-SH-MH-WINE



SL2150CCS-SH-MH SL2150CCS-SH-MH-BLK SL2150CCS-SH-MH-WB SL2150CCS-SH-MH-ESP SL2150CCS-SH-WA SL2150CCS-SH-WA-BUC



SL2150CCS-SH-WA-RW SL2150CCS-SH-WA-ESP SL2150CCS-SH-NT-ESP SL2150CCS-SH-NT-BLK SL2150CCS-SH-NT SL2150CCS-SH-NT-WA



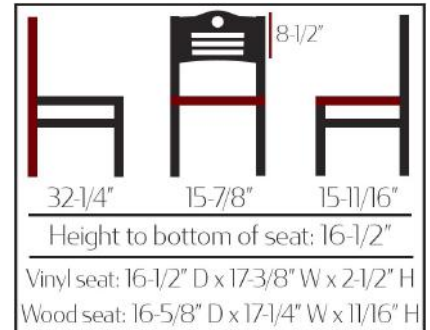
SL2150CCS-SH-CH SL2150CCS-SH-CH-BLK SL2150CCS-SH-CH-NT SL2150CCS-SH-CH-ESP SL2150CCS-SH-WB SL2150CCS-SH-WB-BLK SL2150CCS-SH-WB-RW SL2150CCS-SH-WB-BUC SL2150CCS-SH-WB-CH

Custom vinyl or upholstered seat options available. Visit <http://bit.ly/vinyl-upholstery-fabric> for available options!

*Chair part numbers are as follows:
SL2150CCS-Back Style-Back Stain-Seat Option
(e.g. SL2150CCS-SH-NT-BLK)*

**Note: If seat option is matching wood seat, simply indicate the stain only (e.g. SL2150CCS-SH-WA).*

- Wood backs available in: black, walnut, cherry, mahogany & clear coat finishes
- Premium clear coat finish
- 1.2mm steel frame; 1-1/4" tubing; 100% mig welded frame
- Standard leg supports
- Non-marring glides (GL2160-CLEAR is standard - other options are available but charged additional)
- Wood backs ship attached. Seats ship unattached - simple seat attachment required
- Stackable: No
- Frame load capacity: 300 lbs



	Shoreline Wood Back - Clear Coat Chair	Approx. Weight
Black Vinyl Seat	SL2150CCS-SH(-)BLK	15 lbs
Buckskin Vinyl Seat	SL2150CCS-SH(-)BUC	15 lbs
Espresso Vinyl Seat	SL2150CCS-SH(-)ESP	15 lbs
Red Vinyl Seat	SL2150CCS-SH(-)RED	15 lbs
Wine Vinyl Seat	SL2150CCS-SH(-)WINE	15 lbs
Clear Coat Wood Seat	SL2150CCS-SH(-)NT	15 lbs
Mahogany Wood Seat	SL2150CCS-SH(-)MH	15 lbs
Cherry Wood Seat	SL2150CCS-SH(-)CH	15 lbs
Walnut Wood Seat	SL2150CCS-SH(-)WA	15 lbs
Black Wood Seat	SL2150CCS-SH(-)WB	15 lbs
Barnwood Wood Seat	SL2150CCS-SH(-)BW	15 lbs
Reclaimed Wood Seat	SL2150CCS-SH(-)RW	15 lbs
Frame Only - No Seat	SL2150CCS-SH(-)FRAME	11 lbs



Shoreline (Clear Coat) Metal Frame Wood Back Barstool

Chairs & Stationary Barstools

Shoreline (Clear Coat) Metal Frame Wood Back Barstool



SL2150CCS-1-SH-WB



SL2150-1-SH-WB-BLK

SL2150-1-SH-WB-BW

SL2150-1-SH-WB-RED

SL2150-1-SH-WB-WA

SL2150-1-SH-NT-ESP

SL2150-1-SH-NT



SL2150CCS-1-SH-NT-BUC

SL2150CCS-1-SH-NT-RW

SL2150CCS-1-SH-MH-WINE

SL2150CCS-1-SH-MH

SL2150CCS-1-SH-MH-BLK

SL2150CCS-1-SH-MH-WB



SL2150CCS-1-SH-WA-BUC

SL2150CCS-1-SH-WA

SL2150CCS-1-SH-WA-ESP

SL2150CCS-1-SH-WA-WB

SL2150CCS-1-SH-CH-BLK

SL2150CCS-1-SH-CH

SL2150CCS-1-SH-CH-RED

SL2150CCS-1-SH-CH-WB

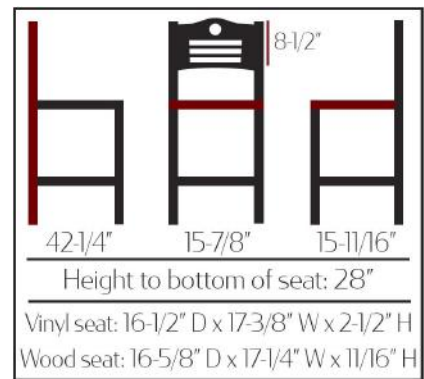
SL2150CCS-1-SH-CH-ESP

All spec sheets are available in AutoQuotes or online at www.oakstreetmfg.com

Barstool part numbers are as follows:
SL2150CCS-1-Back Style-Back Stain-Seat Option
(e.g. SL2150CCS-1-SH-NT-BLK)

*Note: If seat option is matching wood seat, simply indicate the stain only (e.g. SL2150CCS-1-SH-WA).

- Wood backs available in: black, walnut, cherry, mahogany & clear coat finishes
- Premium clear coat finish
- 1.2mm steel frame; 1-1/4" tubing; 100% mig welded frame
- Standard leg supports
- Non-marring glides (GL2160-CLEAR is standard - other options are available but charged additional)
- Wood backs ship attached. Seats ship unattached - simple seat attachment required
- Stackable: No
- Frame load capacity: 300 lbs



	Shoreline Wood Back - Clear Coat Barstool	Approx. Weight
Black Vinyl Seat	SL2150CCS-1-SH-()-BLK	20 lbs
Buckskin Vinyl Seat	SL2150CCS-1-SH-()-BUC	20 lbs
Espresso Vinyl Seat	SL2150CCS-1-SH-()-ESP	20 lbs
Red Vinyl Seat	SL2150CCS-1-SH-()-RED	20 lbs
Wine Vinyl Seat	SL2150CCS-1-SH-()-WINE	20 lbs
Clear Coat Wood Seat	SL2150CCS-1-SH-()-NT	20 lbs
Mahogany Wood Seat	SL2150CCS-1-SH-()-MH	20 lbs
Cherry Wood Seat	SL2150CCS-1-SH-()-CH	20 lbs
Walnut Wood Seat	SL2150CCS-1-SH-()-WA	20 lbs
Black Wood Seat	SL2150CCS-1-SH-()-WB	20 lbs
Barnwood Wood Seat	SL2150CCS-1-SH-()-BW	20 lbs
Reclaimed Wood Seat	SL2150CCS-1-SH-()-RW	20 lbs
Frame Only - No Seat	SL2150CCS-1-SH-()-FRAME	16 lbs



Standard / Banquet Metal Frame Stack Chair



SL2082-BLK



SL2082-ESP



SL2082-WINE



SL2082-RED



SL2089-BLK



SL2089-SV



SL2089-WINE

Stack Chair Rack only
Part # HD2080



Complete
Stack/Banquet Chair
Dolly
Part #: HD2082



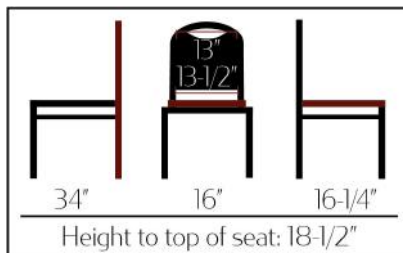
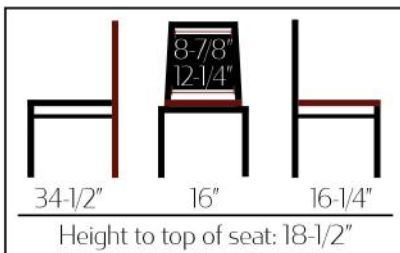
	Black Frame - Black Vinyl	Silvervein Frame - Black Vinyl	Black Frame - Wine Vinyl	Brown Frame - Espresso Vinyl	Black Frame - Red Vinyl	Approx. Weight
Standard Stack Chair	SL2082-BLK	-	SL2082-WINE	SL2082-ESP	SL2082-RED	15 lbs
Banquet Stack Chair	SL2089-BLK	SL2089-SV	SL2089-WINE	-	-	15 lbs

- Quality fabric-backed, commercial-grade vinyl
- Plywood core in seat & back
- Flame retardant seat cushion with 2" waterfall edge

- Special back assembly includes metal channel construction, eliminating side screws
- Reinforcement bars on both back & sides

- 1.2mm steel frame thickness; 3/4" tubing
- Non-marring poly glides
- Maximum stacking height: 15 chairs

- Holds up to 15 chairs
- Two pneumatic wheels
- Approx. weight: 100 lbs
- Constructed with tubular steel



200 / 1200 Metal Frame Folding Chair



Black
SL200-BLK

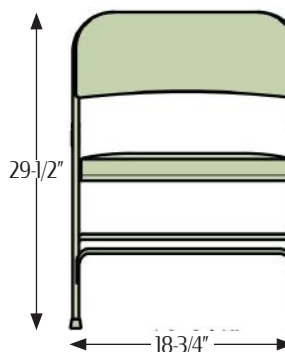
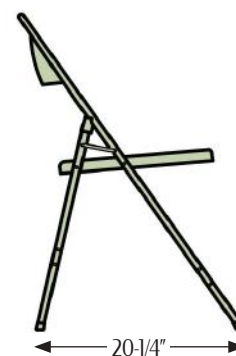
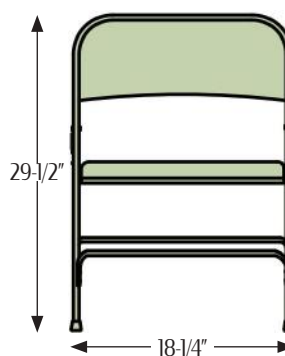


Gray
SL200-GRAY



Beige
SL200-BGE

- Heavy-duty powder coated 18 gauge 7/8" round tubular frame
- 2-1/4" frame strengthener on each side of seat
- 2 double-riveted U-braces (1 in front & 1 in back) securely support the double-hinged legs
- Waterfall front edge for added comfort
- 1200 series features a fully upholstered seat & back
 - .80mm vinyl over 1-1/4", 0.9 lb density foam seat & 1.2 lb density back
 - Vinyl & foam are Cal 117 rated
- Full-sized double-contoured backrest
 - Curled safety edges
 - Electromagnetically tack-welded to frame
- Color coordinated V-tip stability plugs provide added reinforcement at the frame's junction
- Color coordinated polypropylene glides
- Meets MAS Certified Green & ANSI/BIFMA standards
- 480 lb weight capacity
- SL200 series dimensions:
 - Overall: 29-1/2" H x 18-1/4" W x 20-1/4" D | Folded: 38" H x 18-1/4" W x 2" D
 - Seat: 17-1/4" H x 16" W x 16" D | Back: 8-1/4" H x 18-1/4" W
- SL1200 series dimensions:
 - Overall: 29-1/2" H x 18-3/4" W x 20-1/4" D | Folded: 38" H x 18-3/4" W x 2-1/2" D
 - Seat: 17-3/4" H x 16" W x 16" D | Back: 8-3/4" H x 18-3/4" W
- **All folding chairs must be ordered in multiples of 4**



Black
SL1200-BLK



Gray
SL1200-GRAY



Beige
SL1200-BGE

Ladderback (Black) Metal Frame Swivel Barstool



SL2301S-ESP



SL2301S-RED

SL2301S-WINE

SL2301S-BLK

SL2301S-BUC

SL2301S-BW

SL2301S-CH



SL2301S-MH

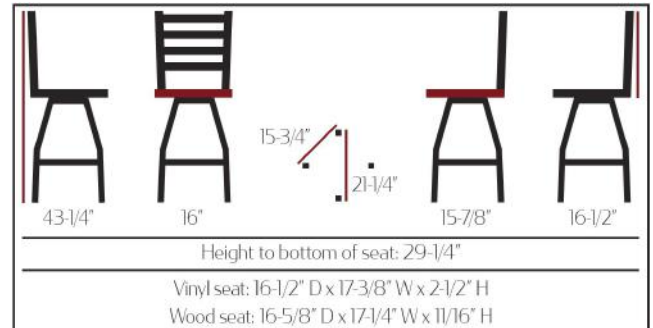
SL2301S-NT

SL2301S-RW

SL2301S-WA

SL2301S-WB

- Premium black powder coat wrinkle finish
- 1.2mm steel frame; 1-1/4" tubing
- 100% mig welded frame & footring
- Single black powder coat footring
- Non-Marring glides (GL2160-WHITE are standard - other options are available but charged additional)
- Heavy-duty 4 degree slant swivel attached to frame
- Seat ships unattached - simple seat attachment required
- Stackable: No
- Frame load capacity: 300 lbs



Custom vinyl or upholstered seat options available. Visit <http://bit.ly/vinyl-upholstery-fabric> for available options!



For COUNTER HEIGHT Black Ladderback swivel frames, use **SL0301S** for the part number - same pricing.

	Ladderback (Black) Swivel Barstool	Approx. Weight
Black Vinyl Seat	SL2301S-BLK	30 lbs
Buckskin Vinyl Seat	SL2301S-BUC	30 lbs
Espresso Vinyl Seat	SL2301S-ESP	30 lbs
Red Vinyl Seat	SL2301S-RED	30 lbs
Wine Vinyl Seat	SL2301S-WINE	30 lbs
Clear Coat Wood Seat	SL2301S-NT	30 lbs
Mahogany Wood Seat	SL2301S-MH	30 lbs
Cherry Wood Seat	SL2301S-CH	30 lbs
Walnut Wood Seat	SL2301S-WA	30 lbs
Black Wood Seat	SL2301S-WB	30 lbs
Barnwood Wood Seat	SL2301S-BW	30 lbs
Reclaimed Wood Seat	SL2301S-RW	30 lbs
Black Ladderback Swivel Top Only - No Seat	SL2301SWLTOP-FRAME	13 lbs
Black Powder Coat Bottom - No Swivel	SL2132-BOTTOM	15 lbs



Ladderback (Clear Coat) Metal Frame Swivel Barstool

Swivel Barstools



SL135CI-S-WB



SL135CI-S-BW

SL135CI-S-CH

SL135CI-S-MH

SL135CI-S-NT

SL135CI-S-RW

SL135CI-S-WA



SL135CI-S-BLK

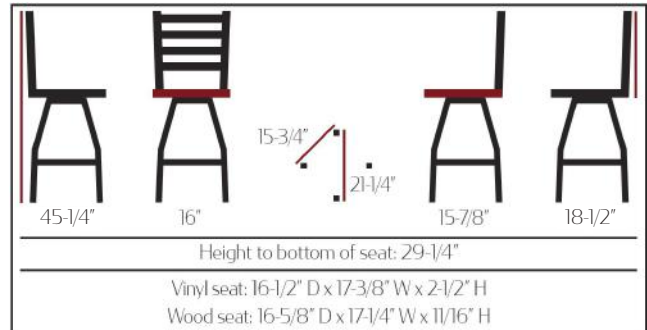
SL135CI-S-BUC

SL135CI-S-ESP

SL135CI-S-RED

SL135CI-S-WINE

- Premium clear coat finish with either plain or brass welds
- 1.2mm steel frame; 1-1/4" tubing
- 100% mig welded frame & footring
- Single clear coat footring
- Non-Marring glides (GL2160-CLEAR are standard - other options are available but charged additional)
- Heavy-duty 4 degree slant swivel attached to frame
- Seat ships unattached - simple seat attachment required
- Stackable: No
- Frame load capacity: 300 lbs



Custom vinyl or upholstered seat options available. Visit <http://bit.ly/vinyl-upholstery-fabric> for available options!

For COUNTER HEIGHT Clear Coat Ladderback swivel frames, use **SL035S for the part number - same pricing.**

	Ladderback (Clear Coat) Swivel Barstool	Approx. Weight
Black Vinyl Seat	SL135CI-S-BLK	30 lbs
Buckskin Vinyl Seat	SL135CI-S-BUC	30 lbs
Espresso Vinyl Seat	SL135CI-S-ESP	30 lbs
Red Vinyl Seat	SL135CI-S-RED	30 lbs
Wine Vinyl Seat	SL135CI-S-WINE	30 lbs
Clear Coat Wood Seat	SL135CI-S-NT	30 lbs
Mahogany Wood Seat	SL135CI-S-MH	30 lbs
Cherry Wood Seat	SL135CI-S-CH	30 lbs
Walnut Wood Seat	SL135CI-S-WA	30 lbs
Black Wood Seat	SL135CI-S-WB	30 lbs
Barnwood Wood Seat	SL135CI-S-BW	30 lbs
Reclaimed Wood Seat	SL135CI-S-RW	30 lbs
Clear Coat (Plain Welds) Ladderback Swivel Top Only - No Seat	SL135CI-SWVLTOP-PLAIN-FRAME	13 lbs
Clear Coat (Brass Welds) Ladderback Swivel Top Only - No Seat	SL135CI-SWVLTOP-BRASS-FRAME	13 lbs
Clear Coat Bottom - No Swivel	SL2132-CCS-BOTTOM	15 lbs

Part #: GL2160-CLEAR

Part #: GL2160-FELT

Part #: GL234

Part #: GL2160-WHITE

Ladderback (Clear Coat) Metal Frame Swivel Barstool

Windowpane Metal Frame Swivel Barstool



SL21635-ESP



SL21635-RED

SL21635-WINE

SL21635-BLK

SL21635-BUC

SL21635-BW

SL21635-CH



SL21635-MH

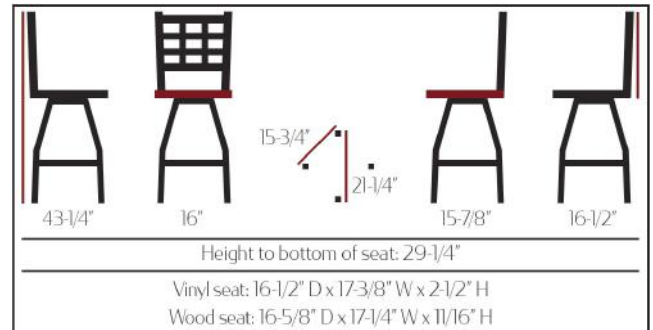
SL21635-NT

SL21635-RW

SL21635-WA

SL21635-WB

- Premium black powder coat wrinkle finish
- 1.2mm steel frame; 1-1/4" tubing
- 100% mig welded frame & footring
- Single black powder coat footring
- Non-marring glides (GL2160-WHITE are standard - other options are available but charged additional)
- Heavy-duty 4 degree slant swivel attached to frame
- Seat ships unattached - simple seat attachment required
- Stackable: No
- Frame load capacity: 300 lbs



Custom vinyl or upholstered seat options available. Visit <http://bit.ly/vinyl-upholstery-fabric> for available options!



For COUNTER HEIGHT Windowpane swivel frames, use **SL01635** for the part number - same pricing.

	Windowpane Swivel Barstool	Approx. Weight
Black Vinyl Seat	SL21635-BLK	30 lbs
Buckskin Vinyl Seat	SL21635-BUC	30 lbs
Espresso Vinyl Seat	SL21635-ESP	30 lbs
Red Vinyl Seat	SL21635-RED	30 lbs
Wine Vinyl Seat	SL21635-WINE	30 lbs
Clear Coat Wood Seat	SL21635-NT	30 lbs
Mahogany Wood Seat	SL21635-MH	30 lbs
Cherry Wood Seat	SL21635-CH	30 lbs
Walnut Wood Seat	SL21635-WA	30 lbs
Black Wood Seat	SL21635-WB	30 lbs
Barnwood Wood Seat	SL21635-BW	30 lbs
Reclaimed Wood Seat	SL21635-RW	30 lbs
Black Windowpane Swivel Top Only - No Seat	SL21635SWLTOP-FRAME	13 lbs
Black Powder Coat Bottom - No Swivel	SL2132-BOTTOM	15 lbs



Verticalback Metal Frame Swivel Barstool

Swivel Barstools



SL20905-BW



SL20905-CH

SL20905-MH

SL20905-NT

SL20905-RW

SL20905-WA

SL20905-WB



SL20905-BLK

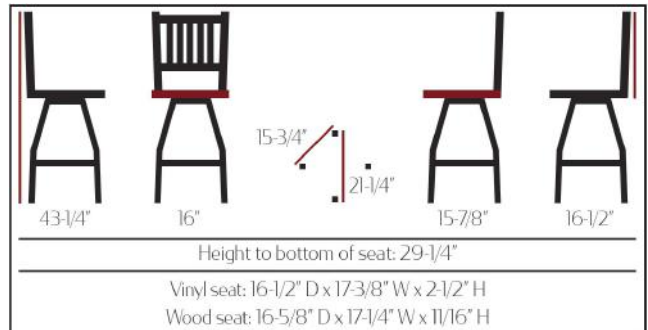
SL20905-BUC

SL20905-ESP

SL20905-RED

SL20905-WINE

- Premium black powder coat wrinkle finish
- 1.2mm steel frame; 1-1/4" tubing
- 100% mig welded frame & footring
- Single black powder coat footring
- Non-marring glides (GL2160-WHITE are standard - other options are available but charged additional)
- Heavy-duty 4 degree slant swivel attached to frame
- Seat ships unattached - simple seat attachment required
- Stackable: No
- Frame load capacity: 300 lbs



Custom vinyl or upholstered seat options available. Visit <http://bit.ly/vinyl-upholstery-fabric> for available options!



For COUNTER HEIGHT Verticalback swivel frames, use SL0090S for the part number - same pricing.

	Verticalback Swivel Barstool	Approx. Weight
Black Vinyl Seat	SL20905-BLK	30 lbs
Buckskin Vinyl Seat	SL20905-BUC	30 lbs
Espresso Vinyl Seat	SL20905-ESP	30 lbs
Red Vinyl Seat	SL20905-RED	30 lbs
Wine Vinyl Seat	SL20905-WINE	30 lbs
Clear Coat Wood Seat	SL20905-NT	30 lbs
Mahogany Wood Seat	SL20905-MH	30 lbs
Cherry Wood Seat	SL20905-CH	30 lbs
Walnut Wood Seat	SL20905-WA	30 lbs
Black Wood Seat	SL20905-WB	30 lbs
Barnwood Wood Seat	SL20905-BW	30 lbs
Reclaimed Wood Seat	SL20905-RW	30 lbs
Black Verticalback Swivel Top Only - No Seat	SL20905SWLTOP-FRAME	13 lbs
Black Powder Coat Bottom - No Swivel	SL2132-BOTTOM	15 lbs



Part #: GL2160-CLEAR

Part #: GL2160-FELT

Part #: GL234

Part #: GL2160-WHITE

Verticalback Metal Frame Swivel Barstool

5 Line (Black) Metal Frame Wood Back Swivel Barstool



SL2150-1S-5-WA-ESP



SL2150-1S-5-WA
SL2150-1S-5-WA-BUC
SL2150-1S-5-WA-RW
SL2150-1S-5-WA-BLK
SL2150-1S-5-NT
SL2150-1S-5-NT-ESP

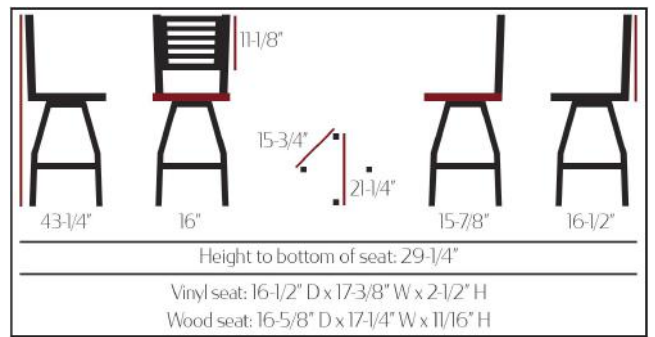


SL2150-1S-5-NT-WB
SL2150-1S-5-NT-BUC
SL2150-1S-5-MH
SL2150-1S-5-MH-WINE
SL2150-1S-5-MH-BLK
SL2150-1S-5-MH-BLK



SL2150-1S-5-CH
SL2150-1S-5-CH-BLK
SL2150-1S-5-CH-WB
SL2150-1S-5-CH-ESP
SL2150-1S-5-WB
SL2150-1S-5-WB-BLK
SL2150-1S-5-WB-BW
SL2150-1S-5-WB-RED
SL2150-1S-5-WB-NT

- Wood backs available in: black, walnut, cherry, mahogany & clear coat finishes
- Premium black powder coat wrinkle finish (including footring)
- 1.2mm steel frame; 1-1/4" tubing; 100% mig welded frame & footring
- Non-marring glides (GL2160-WHITE is standard - other options are available but charged additional)
- Heavy-duty 4 degree slant swivel attached to frame
- Wood backs ship attached. Seats ship unattached - simple seat attachment required
- Stackable: No
- Frame load capacity: 300 lbs



	5 Line Wood Back Swivel Barstool	Approx. Weight
Black Vinyl Seat	SL2150-1S-5(-)-BLK	30 lbs
Buckskin Vinyl Seat	SL2150-1S-5(-)-BUC	30 lbs
Espresso Vinyl Seat	SL2150-1S-5(-)-ESP	30 lbs
Red Vinyl Seat	SL2150-1S-5(-)-RED	30 lbs
Wine Vinyl Seat	SL2150-1S-5(-)-WINE	30 lbs
Clear Coat Wood Seat	SL2150-1S-5(-)-NT	30 lbs
Mahogany Wood Seat	SL2150-1S-5(-)-MH	30 lbs
Cherry Wood Seat	SL2150-1S-5(-)-CH	30 lbs
Walnut Wood Seat	SL2150-1S-5(-)-WA	30 lbs
Black Wood Seat	SL2150-1S-5(-)-WB	30 lbs
Barnwood Wood Seat	SL2150-1S-5(-)-BW	30 lbs
Reclaimed Wood Seat	SL2150-1S-5(-)-RW	30 lbs
Wood Back Swivel Top Only - No Seat or Back	CH-260-SWVL-FRAME	13 lbs
Black Powder Coat Bottom - No Swivel	SL2132-BOTTOM	15 lbs
5 Line Birch Wood Back (choose stain/finish)	BKT-E BACK(-)	3 lbs

For COUNTER HEIGHT Bullseye swivel frames, use **SL0150-1S-5 for the part number - same pricing.**

Swivel barstool part numbers are as follows:
 SL2150-1S-Back Style-Back Stain-Seat Option (e.g. SL2150-1S-5-NT-BLK)
 *Note: If seat option is matching wood seat, simply indicate the stain only (e.g. SL2150-1S-5-WA).

Bullseye (Black) Metal Frame Wood Back Swivel Barstool

Swivel Barstools



SL2150-IS-B-WB-BW



SL2150-IS-B-WB-BLK

SL2150-IS-B-WB

SL2150-IS-B-WB-BUC

SL2150-IS-B-WB-CH

SL2150-IS-B-WB-ESP

SL2150-IS-B-WB-NT



SL2150-IS-B-NT-BLK

SL2150-IS-B-NT-WB

SL2150-IS-B-MH-WINE

SL2150-IS-B-MH

SL2150-IS-B-MH-BLK

SL2150-IS-B-MH-WB



SL2150-IS-B-CH-BLK

SL2150-IS-B-CH

SL2150-IS-B-CH-ESP

SL2150-IS-B-CH-NT

SL2150-IS-B-WA-BUC

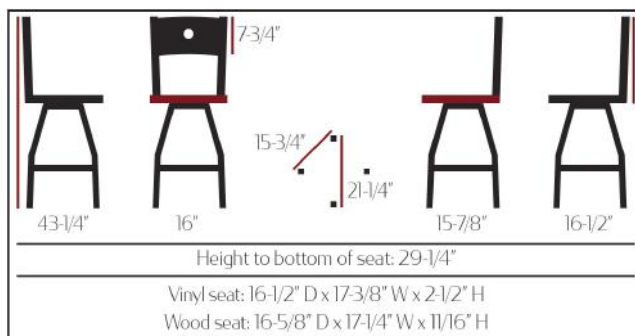
SL2150-IS-B-WA

SL2150-IS-B-WA-ESP

SL2150-IS-B-WA-WB

SL2150-IS-B-WA-WINE

- Wood backs available in: black, walnut, cherry, mahogany & clear coat finishes
- Premium black powder coat wrinkle finish (including footring)
- 1.2mm steel frame; 1-1/4" tubing; 100% mig welded frame & footring
- Non-marring glides (GL2160-WHITE is standard - other options are available but charged additional)
- Heavy-duty 4 degree slant swivel attached to frame
- Wood backs ship attached. Seats ship unattached - simple seat attachment required
- Stackable: No
- Frame load capacity: 300 lbs



	Bullseye Wood Back Swivel Barstool	Approx. Weight
Black Vinyl Seat	SL2150-IS-B-()-BLK	30 lbs
Buckskin Vinyl Seat	SL2150-IS-B-()-BUC	30 lbs
Espresso Vinyl Seat	SL2150-IS-B-()-ESP	30 lbs
Red Vinyl Seat	SL2150-IS-B-()-RED	30 lbs
Wine Vinyl Seat	SL2150-IS-B-()-WINE	30 lbs
Clear Coat Wood Seat	SL2150-IS-B-()-NT	30 lbs
Mahogany Wood Seat	SL2150-IS-B-()-MH	30 lbs
Cherry Wood Seat	SL2150-IS-B-()-CH	30 lbs
Walnut Wood Seat	SL2150-IS-B-()-WA	30 lbs
Black Wood Seat	SL2150-IS-B-()-WB	30 lbs
Barnwood Wood Seat	SL2150-IS-B-()-BW	30 lbs
Reclaimed Wood Seat	SL2150-IS-B-()-RW	30 lbs
Wood Back Swivel Top Only - No Seat or Back	CH-260-SWVL	13 lbs
Black Powder Coat Bottom - No Swivel	SL2132-BOTTOM	15 lbs
Bullseye Birch Wood Back (choose stain/finish)	BKT-A-BACK-()	3 lbs

For COUNTER HEIGHT Bullseye swivel frames, use **SL0150-IS-B** for the part number - same pricing.

Swivel barstool part numbers are as follows:
SL2150-IS-Back Style-Back Stain-Seat Option (e.g. SL2150-IS-B-NT-BLK)
*Note: If seat option is matching wood seat, simply indicate the stain only (e.g. SL2150-IS-B-WA).

Bullseye (Black) Metal Frame Wood Back Swivel Barstool

Plain (Black) Metal Frame Wood Back Swivel Barstool



SL2150-IS-P-NT-BUC



SL2150-IS-P-NT

SL2150-IS-P-NT-BLK

SL2150-IS-P-NT-WB

SL2150-IS-P-NT-RED

SL2150-IS-P-WA

SL2150-IS-P-WA-BUC



SL2150-IS-P-WA-WB

SL2150-IS-P-WA-BLK

SL2150-IS-P-MH

SL2150-IS-P-MH-WINE

SL2150-IS-P-MH-WB

SL2150-IS-P-MH-BLK



SL2150-IS-P-CH

SL2150-IS-P-CH-BLK

SL2150-IS-P-CH-WB

SL2150-IS-P-CH-WINE

SL2150-IS-P-WB

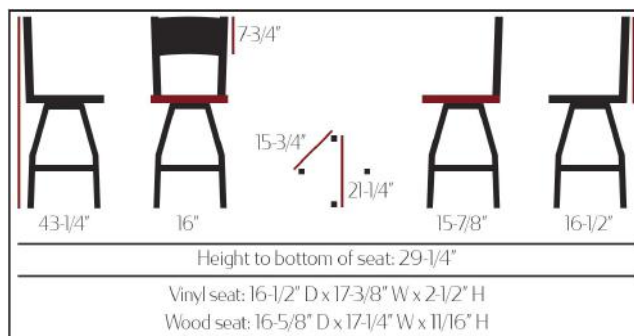
SL2150-IS-P-WB-BLK

SL2150-IS-P-WB-BW

SL2150-IS-P-WB-RED

SL2150-IS-P-WB-MH

- Wood backs available in: black, walnut, cherry, mahogany & clear coat finishes
- Premium black powder coat wrinkle finish (including footring)
- 1.2mm steel frame; 1-1/4" tubing; 100% mig welded frame & footring
- Non-marring glides (GL2160-WHITE is standard - other options are available but charged additional)
- Heavy-duty 4 degree slant swivel attached to frame
- Wood backs ship attached. Seats ship unattached - simple seat attachment required
- Stackable: No
- Frame load capacity: 300 lbs



	Plain Wood Back Swivel Barstool	Approx. Weight
Black Vinyl Seat	SL2150-IS-P(-)BLK	30 lbs
Buckskin Vinyl Seat	SL2150-IS-P(-)BUC	30 lbs
Espresso Vinyl Seat	SL2150-IS-P(-)ESP	30 lbs
Red Vinyl Seat	SL2150-IS-P(-)RED	30 lbs
Wine Vinyl Seat	SL2150-IS-P(-)WINE	30 lbs
Clear Coat Wood Seat	SL2150-IS-P(-)NT	30 lbs
Mahogany Wood Seat	SL2150-IS-P(-)MH	30 lbs
Cherry Wood Seat	SL2150-IS-P(-)CH	30 lbs
Walnut Wood Seat	SL2150-IS-P(-)WA	30 lbs
Black Wood Seat	SL2150-IS-P(-)WB	30 lbs
Barnwood Wood Seat	SL2150-IS-P(-)BW	30 lbs
Reclaimed Wood Seat	SL2150-IS-P(-)RW	30 lbs
Wood Back Swivel Top Only - No Seat or Back	CH-260-SWVL	13 lbs
Black Powder Coat Bottom - No Swivel	SL2132-BOTTOM	15 lbs
Birch Wood Back (choose stain/finish)	BKT-C BACK(-)	3 lbs

For COUNTER HEIGHT Plain swivel frames, use SL0150-IS-P for the part number - same pricing.

Swivel barstool part numbers are as follows:
 SL2150-IS-Back Style-Back Stain-Seat Option (e.g. SL2150-IS-P-NT-BLK)
 *Note: If seat option is matching wood seat, simply indicate the stain only (e.g. SL2150-IS-P-WA).

Shoreline (Black) Metal Frame Wood Back Swivel Barstool

Swivel Barstools



SL2150-1S-SH-MH



SL2150-1S-SH-MH-BLK

SL2150-1S-SH-MH-WB

SL2150-1S-SH-MH-WINE

SL2150-1S-SH-MH-NT

SL2150-1S-SH-NT-BLK

SL2150-1S-SH-NT



SL2150-1S-SH-NT-BUC

SL2150-1S-SH-NT-RW

SL2150-1S-SH-WB-BLK

SL2150-1S-SH-WB

SL2150-1S-SH-WB-WINE

SL2150-1S-SH-WB-BW



SL2150-1S-SH-CH-BLK

SL2150-1S-SH-CH

SL2150-1S-SH-CH-RED

SL2150-1S-SH-CH-WB

SL2150-1S-SH-WA-BUC

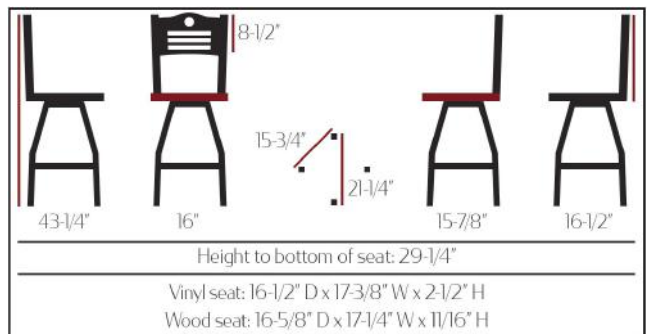
SL2150-1S-SH-WA

SL2150-1S-SH-WA-BLK

SL2150-1S-SH-WA-RW

SL2150-1S-SH-WA-ESP

- Wood backs available in: black, walnut, cherry, mahogany & clear coat finishes
- Premium black powder coat wrinkle finish (including footring)
- 1.2mm steel frame; 1-1/4" tubing; 100% mig welded frame & footring
- Non-marring glides (GL2160-WHITE is standard - other options are available but charged additional)
- Heavy-duty 4 degree slant swivel attached to frame
- Wood backs ship attached. Seats ship unattached - simple seat attachment required
- Stackable: No
- Frame load capacity: 300 lbs



	Shoreline Wood Back Swivel Barstool	Approx. Weight
Black Vinyl Seat	SL2150-1S-SH-(-)BLK	30 lbs
Buckskin Vinyl Seat	SL2150-1S-SH-(-)BUC	30 lbs
Espresso Vinyl Seat	SL2150-1S-SH-(-)ESP	30 lbs
Red Vinyl Seat	SL2150-1S-SH-(-)RED	30 lbs
Wine Vinyl Seat	SL2150-1S-SH-(-)WINE	30 lbs
Clear Coat Wood Seat	SL2150-1S-SH-(-)NT	30 lbs
Mahogany Wood Seat	SL2150-1S-SH-(-)MH	30 lbs
Cherry Wood Seat	SL2150-1S-SH-(-)CH	30 lbs
Walnut Wood Seat	SL2150-1S-SH-(-)WA	30 lbs
Black Wood Seat	SL2150-1S-SH-(-)WB	30 lbs
Barnwood Wood Seat	SL2150-1S-SH-(-)BW	30 lbs
Reclaimed Wood Seat	SL2150-1S-SH-(-)RW	30 lbs
Wood Back Swivel Top Only - No Seat or Back	CH-260-SWVL	13 lbs
Black Powder Coat Bottom - No Swivel	SL2132-BOTTOM	15 lbs
Shoreline Birch Wood Back (choose stain/finish)	BKT-D BACK-(-)	3 lbs

For COUNTER HEIGHT Shoreline swivel frames, use **SL0150-1S-SH for the part number - same pricing.**

Swivel barstool part numbers are as follows:
 SL2150-1S-Back Style-Back Stain-Seat Option (e.g. SL2150-1S-SH-NT-BLK)
 *Note: If seat option is matching wood seat, simply indicate the stain only (e.g. SL2150-1S-SH-WA).

Shoreline (Black) Metal Frame Wood Back Swivel Barstool

5 Line (Clear Coat) Metal Frame Wood Back Swivel Barstool



SL2150CCS-1S-5-CH-ESP



SL2150CCS-1S-5-CH SL2150CCS-1S-5-CH-BLK SL2150CCS-1S-5-CH-WB SL2150CCS-1S-5-CH-RED SL2150CCS-1S-5-NT SL2150CCS-1S-5-NT-BUC

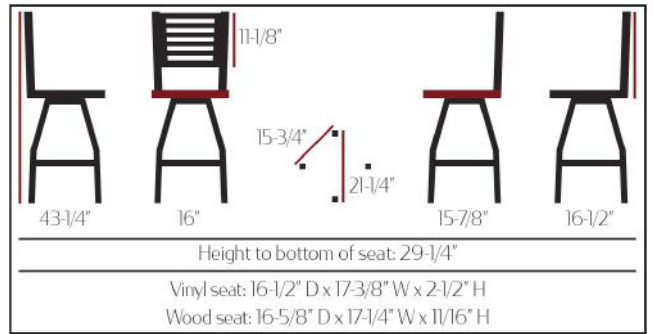


SL2150CCS-1S-5-NT-WA SL2150CCS-1S-5-NT-ESP SL2150CCS-1S-5-MH-WINE SL2150CCS-1S-5-MH-BLK SL2150CCS-1S-5-MH SL2150CCS-1S-5-MH-WB



SL2150CCS-1S-5-WA SL2150CCS-1S-5-WA-BUC SL2150CCS-1S-5-WA-RW SL2150CCS-1S-5-WA-ESP SL2150CCS-1S-5-WB SL2150CCS-1S-5-WB-BLK SL2150CCS-1S-5-WB-WB SL2150CCS-1S-5-WB-RED SL2150CCS-1S-5-WB-NT

- Wood backs available in: black, walnut, cherry, mahogany & clear coat finishes
- Premium clear coat finish (including footring)
- 1.2mm steel frame; 1-1/4" tubing; 100% mig welded frame & footring
- Non-marring glides (GL2160-CLEAR is standard - other options are available but charged additional)
- Heavy-duty 4 degree slant swivel attached to frame
- Wood backs ship attached. Seats ship unattached - simple seat attachment required
- Stackable: No
- Frame load capacity: 300 lbs



For COUNTER HEIGHT Bullseye swivel frames, use **SL0150CCS-1S-5 for the part number - same pricing.**

	5 Line Wood Back Clear Coat Swivel Barstool	Approx. Weight
Black Vinyl Seat	SL2150CCS-1S-5-(-)-BLK	30 lbs
Buckskin Vinyl Seat	SL2150CCS-1S-5-(-)-BUC	30 lbs
Espresso Vinyl Seat	SL2150CCS-1S-5-(-)-ESP	30 lbs
Red Vinyl Seat	SL2150CCS-1S-5-(-)-RED	30 lbs
Wine Vinyl Seat	SL2150CCS-1S-5-(-)-WINE	30 lbs
Clear Coat Wood Seat	SL2150CCS-1S-5-(-)-NT	30 lbs
Mahogany Wood Seat	SL2150CCS-1S-5-(-)-MH	30 lbs
Cherry Wood Seat	SL2150CCS-1S-5-(-)-CH	30 lbs
Walnut Wood Seat	SL2150CCS-1S-5-(-)-WA	30 lbs
Black Wood Seat	SL2150CCS-1S-5-(-)-WB	30 lbs
Barnwood Wood Seat	SL2150CCS-1S-5-(-)-BW	30 lbs
Reclaimed Wood Seat	SL2150CCS-1S-5-(-)-RW	30 lbs
Wood Back Swivel Top Only - No Seat or Back	CH-260C-CCS-SWWL	13 lbs
Clear Coat Bottom - No Swivel	SL2132-CCS-BOTTOM	15 lbs
5 Line Birch Wood Back (choose stain/finish)	BKT-E BACK-(-)	3 lbs

Swivel barstool part numbers are as follows:
SL2150CCS-1S-Back Style-Back Stain-Seat Option (e.g. SL2150CCS-1S-5-NT-BLK)

*Note: If seat option is matching wood seat, simply indicate the stain only (e.g. SL2150CCS-1S-5-WA).

Bullseye (Clear Coat) Metal Frame Wood Back Swivel Barstool

Swivel Barstools



SL2150CCS-IS-B-WA



SL2150CCS-IS-B-WA-BUC SL2150CCS-IS-B-WA-RW SL2150CCS-IS-B-WA-ESP SL2150CCS-IS-B-WA-WB SL2150CCS-IS-B-NT-ESP SL2150CCS-IS-B-NT

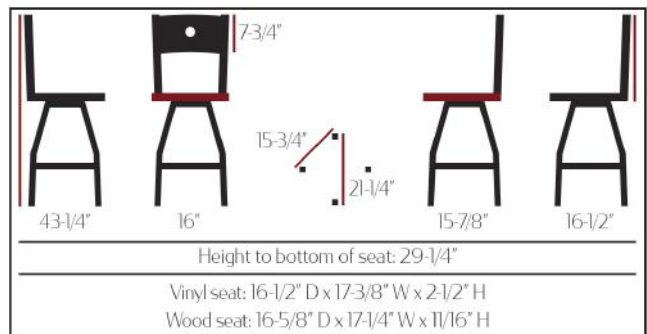


SL2150CCS-IS-B-NT-WB SL2150CCS-IS-B-MH SL2150CCS-IS-B-MH-WINE SL2150CCS-IS-B-MH-WB SL2150CCS-IS-B-NT-BUC SL2150CCS-IS-B-MH-BLK



SL2150CCS-IS-B-CH-BLK SL2150CCS-IS-B-CH SL2150CCS-IS-B-CH-ESP SL2150CCS-IS-B-CH-MH SL2150CCS-IS-B-WB-BLK SL2150CCS-IS-B-WB SL2150CCS-IS-B-WB-BUC SL2150CCS-IS-B-WB-CH SL2150CCS-IS-B-WB-WINE

- Wood backs available in: black, walnut, cherry, mahogany & clear coat finishes
- Premium clear coat finish (including footing)
- 1.2mm steel frame; 1-1/4" tubing; 100% mig welded frame & footing
- Non-marring glides (GL2160-CLEAR is standard - other options are available but charged additional)
- Heavy-duty 4 degree slant swivel attached to frame
- Wood backs ship attached. Seats ship unattached - simple seat attachment required
- Stackable: No
- Frame load capacity: 300 lbs



For COUNTER HEIGHT Bullseye swivel frames, use **SL0150CCS-IS-B for the part number - same pricing.**

	Bullseye Wood Back Clear Coat Swivel Barstool	Approx. Weight
Black Vinyl Seat	SL2150CCS-IS-B-(-)BLK	30 lbs
Buckskin Vinyl Seat	SL2150CCS-IS-B-(-)BUC	30 lbs
Espresso Vinyl Seat	SL2150CCS-IS-B-(-)ESP	30 lbs
Red Vinyl Seat	SL2150CCS-IS-B-(-)RED	30 lbs
Wine Vinyl Seat	SL2150CCS-IS-B-(-)WINE	30 lbs
Clear Coat Wood Seat	SL2150CCS-IS-B-(-)NT	30 lbs
Mahogany Wood Seat	SL2150CCS-IS-B-(-)MH	30 lbs
Cherry Wood Seat	SL2150CCS-IS-B-(-)CH	30 lbs
Walnut Wood Seat	SL2150CCS-IS-B-(-)WA	30 lbs
Black Wood Seat	SL2150CCS-IS-B-(-)WB	30 lbs
Barnwood Wood Seat	SL2150CCS-IS-B-(-)BW	30 lbs
Reclaimed Wood Seat	SL2150CCS-IS-B-(-)RW	30 lbs
Wood Back Swivel Top Only - No Seat or Back	CH-260C-CCS-SWVL	13 lbs
Clear Coat Bottom - No Swivel	SL2132-CCS-BOTTOM	15 lbs
Bullseye Birch Wood Back (choose stain/finish)	BKT-A BACK-(-)	3 lbs

Swivel barstool part numbers are as follows:
SL2150CCS-IS-Back Style-Back Stain-Seat Option (e.g. SL2150CCS-IS-B-NT-BLK)

*Note: If seat option is matching wood seat, simply indicate the stain only (e.g. SL2150CCS-IS-B-WA).

Bullseye (Clear Coat) Metal Frame Wood Back Swivel Barstool

Plain (Clear Coat) Metal Frame Wood Back Swivel Barstool



SL2150CCS-1S-P-WB-BLK



SL2150CCS-1S-P-WB
SL2150CCS-1S-P-WB-RED
SL2150CCS-1S-P-WB-NT
SL2150CCS-1S-P-WB-WINE
SL2150CCS-1S-P-NT
SL2150CCS-1S-P-NT-BUC

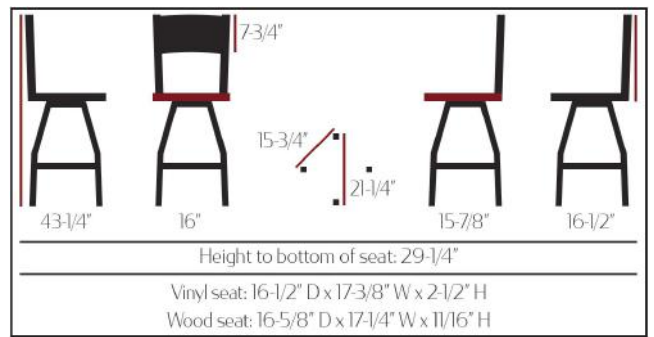


SL2150CCS-1S-P-NT-CH
SL2150CCS-1S-P-NT-ESP
SL2150CCS-1S-P-MH-WINE
SL2150CCS-1S-P-MH
SL2150CCS-1S-P-MH-WB
SL2150CCS-1S-P-MH-BLK



SL2150CCS-1S-P-WA
SL2150CCS-1S-P-WA-BUC
SL2150CCS-1S-P-WA-RW
SL2150CCS-1S-P-WA-ESP
SL2150CCS-1S-P-CH
SL2150CCS-1S-P-CH-ESP
SL2150CCS-1S-P-CH-NT
SL2150CCS-1S-P-CH-BLK
SL2150CCS-1S-P-CH-WB

- Wood backs available in: black, walnut, cherry, mahogany & clear coat finishes
- Premium clear coat finish (including footring)
- 1.2mm steel frame; 1-1/4" tubing; 100% mig welded frame & footring
- Non-marring glides (GL2160-CLEAR is standard - other options are available but charged additional)
- Heavy-duty 4 degree slant swivel attached to frame
- Wood backs ship attached. Seats ship unattached - simple seat attachment required
- Stackable: No
- Frame load capacity: 300 lbs



For COUNTER HEIGHT Plain swivel frames, use **SL0150CCS-1S-P for the part number - same pricing.**

	Plain Wood Back C.C. Swivel Barstool	Approx. Weight
Black Vinyl Seat	SL2150CCS-1S-P(-)BLK	30 lbs
Buckskin Vinyl Seat	SL2150CCS-1S-P(-)BUC	30 lbs
Espresso Vinyl Seat	SL2150CCS-1S-P(-)ESP	30 lbs
Red Vinyl Seat	SL2150CCS-1S-P(-)RED	30 lbs
Wine Vinyl Seat	SL2150CCS-1S-P(-)WINE	30 lbs
Clear Coat Wood Seat	SL2150CCS-1S-P(-)N	30 lbs
Mahogany Wood Seat	SL2150CCS-1S-P(-)M	30 lbs
Cherry Wood Seat	SL2150CCS-1S-P(-)C	30 lbs
Walnut Wood Seat	SL2150CCS-1S-P(-)WA	30 lbs
Black Wood Seat	SL2150CCS-1S-P(-)WB	30 lbs
Barnwood Wood Seat	SL2150CCS-1S-P(-)BW	30 lbs
Reclaimed Wood Seat	SL2150CCS-1S-P(-)RW	30 lbs
Wood Back Swivel Top Only - No Seat or Back	CH-260C-CCS-SWVL	13 lbs
Clear Coat Bottom - No Swivel	SL2132-CCS-BOTTOM	15 lbs
Birch Wood Back (choose stain/finish)	BKT-C BACK(-)	3 lbs

Swivel barstool part numbers are as follows:
SL2150CCS-1S-Back Style-Back Stain-Seat Option (e.g. SL2150CCS-1S-P-NT-BLK)
**Note: If seat option is matching wood seat, simply indicate the stain only (e.g. SL2150CCS-1S-P-WA).*

Shoreline (Clear Coat) Metal Frame Wood Back Swivel Barstool

Swivel Barstools

Shoreline (Clear Coat) Metal Frame Wood Back Swivel Barstool



SL2150CCS-IS-SH-NT



SL2150CCS-IS-SH-NT-ESP
SL2150CCS-IS-SH-NT-WA

SL2150CCS-IS-SH-NT-BUC
SL2150CCS-IS-SH-NT-RW

SL2150CCS-IS-SH-WA-ESP
SL2150CCS-IS-SH-WA



SL2150CCS-IS-SH-WA-BUC
SL2150CCS-IS-SH-WA-RW

SL2150CCS-IS-SH-MH-WINE
SL2150CCS-IS-SH-MH-BLK

SL2150CCS-IS-SH-MH-WB
SL2150CCS-IS-SH-MH-WINE

SL2150CCS-IS-SH-MH-WB



SL2150CCS-IS-SH-CH-BLK
SL2150CCS-IS-SH-CH-RED

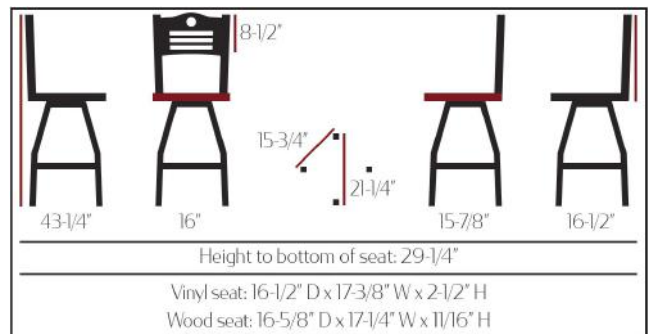
SL2150CCS-IS-SH-CH-NT
SL2150CCS-IS-SH-WB-BLK

SL2150CCS-IS-SH-WB-WINE
SL2150CCS-IS-SH-WB-RED

SL2150CCS-IS-SH-WB-WINE
SL2150CCS-IS-SH-WB-RED

SL2150CCS-IS-SH-WB-RED

- Wood backs available in: black, walnut, cherry, mahogany & clear coat finishes
- Premium clear coat finish (including footing)
- 1.2mm steel frame; 1-1/4" tubing; 100% mig welded frame & footing
- Non-marring glides (GL2160-CLEAR is standard - other options are available but charged additional)
- Heavy-duty 4 degree slant swivel attached to frame
- Wood backs ship attached. Seats ship unattached - simple seat attachment required
- Stackable: No
- Frame load capacity: 300 lbs



For COUNTER HEIGHT Shoreline swivel frames, use **SL0150CCS-IS-SH for the part number - same pricing.**

Swivel barstool part numbers are as follows:
SL2150CCS-IS-Back Style-Back Stain-Seat Option (e.g. SL2150CCS-IS-SH-NT-BLK)
*Note: If seat option is matching wood seat, simply indicate the stain only (e.g. SL2150CCS-IS-SH-WA).

	Shoreline Wood Back Clear Coat Swivel Barstool	Approx. Weight
Black Vinyl Seat	SL2150CCS-IS-SH-(-)-BLK	30 lbs
Buckskin Vinyl Seat	SL2150CCS-IS-SH-(-)-BUC	30 lbs
Espresso Vinyl Seat	SL2150CCS-IS-SH-(-)-ESP	30 lbs
Red Vinyl Seat	SL2150CCS-IS-SH-(-)-RED	30 lbs
Wine Vinyl Seat	SL2150CCS-IS-SH-(-)-WINE	30 lbs
Clear Coat Wood Seat	SL2150CCS-IS-SH-(-)-NT	30 lbs
Mahogany Wood Seat	SL2150CCS-IS-SH-(-)-MH	30 lbs
Cherry Wood Seat	SL2150CCS-IS-SH-(-)-CH	30 lbs
Walnut Wood Seat	SL2150CCS-IS-SH-(-)-WA	30 lbs
Black Wood Seat	SL2150CCS-IS-SH-(-)-WB	30 lbs
Barnwood Wood Seat	SL2150CCS-IS-SH-(-)-BW	30 lbs
Reclaimed Wood Seat	SL2150CCS-IS-SH-(-)-RW	30 lbs
Wood Back Swivel Top Only - No Seat or Back	CH-260C-CCS-SWVL	13 lbs
Clear Coat Bottom - No Swivel	SL2132-CCS-BOTTOM	15 lbs
Shoreline Birch Wood Back (choose stain/finish)	BKT-D BACK-(-)	3 lbs

Bucket - Tufted Back Metal Frame Swivel Barstool



SL8133-BUC



SL8133-BLK



- Premium gloss black square frame with chrome footing
- Non-marring glides included (GL2133)
- Stackable: No
- Swivel Frame Only:
 - SL2133S-BOTTOM



SL8134-BLK



SL8134-BUC



- Double rung chrome frame
- Non-marring glides included (GL2129)
- Stackable: No
- Swivel Frame Only:
 - SL2129S-BOTTOM



SL8136-CCS-BUC



SL8136-CCS-BLK



- Premium clear coat finish (including footing)
- 1.2mm steel frame; 1-1/4" tubing; 100% welded frame & footing
- Non-marring glides included (GL2160-CLEAR)
- Stackable: No
- Swivel Frame Only (no swivel):
 - SL2132-CCS-BOTTOM
- Also available in:
 - Counter height (40" H)
 - Swivel Frame Only (no swivel):
 - SL1132C-CCS-BOTTOM



SL8136-BLK



SL8136-BUC



- Premium black powder coat wrinkle finish (incl. footing)
- 1.2mm steel frame; 1-1/4" tubing; 100% mig frame & footing
- Non-marring glides included (GL2160-WHITE)
- Stackable: No
- Swivel Frame Only:
 - SL2132S-BOTTOM
- Also available in:
 - Counter height (40" H)
 - Swivel Frame Only:
 - SL1132S-BOTTOM



SL8133TOP-BUC

SL8133TOP-BLK

Tufted Back Bucket with:	Black Vinyl	Buckskin Vinyl	Approx. Weight
Gloss Black Square Swivel Frame	SL8133-BLK	SL8133-BUC	28 lbs
Double Rung Chrome Swivel Frame	SL8134-BLK	SL8134-BUC	28 lbs
Black Powder Coat Swivel Frame	SL8136-BLK	SL8136-BUC	28 lbs
Clear Coat Swivel Frame	SL8136-CCS-BLK	SL8136-CCS-BUC	28 lbs
Counter Height Black Powder Coat Swivel Frame	SL8036-BLK	SL8036-BUC	27 lbs
Counter Height Clear Coat Swivel Frame	SL8036-CCS-BLK	SL8036-CCS-BUC	27 lbs

- Tufted Back Buckets feature a non-waterfall front & quality fabric-backed, commercial-grade vinyl
- Tufted Back Bucket dimensions: 18-1/2" W x 15-3/4" D x 16-1/4" H
Seat thickness: 4-3/8"
- Overall height of barstool on all frame styles: 42-3/4" (counter height: 38-3/4")
Height to top of seat on all frame styles: 30-7/8" (counter height: 26-7/8")
- Heavy-duty 4 degree slant swivel attached to all frame styles
- Bucket seat ships unattached - simple seat attachment required

Bucket - Cutout Back Metal Frame Swivel Barstool

Swivel Barstools

Bucket - Cutout Back Metal Frame Swivel Barstool



SL9133-BUC



SL9133-BLK



- Premium gloss black square frame with chrome footring
- Non-marring glides included (GL2133)
- Stackable: No
- Swivel Frame Only:
 - SL2133S-BOTTOM



SL9134-BLK



SL9134-BUC



- Double rung chrome frame
- Non-marring glides included (GL2129)
- Stackable: No
- Swivel Frame Only:
 - SL2129S-BOTTOM



SL9136-CCS-BUC



SL9136-CCS-BLK



- Premium clear coat finish (including footring)
- 1.2mm steel frame; 1-1/4" tubing; 100% welded frame & footring
- Non-marring glides included (GL2160-CLEAR)
- Stackable: No
- Swivel Frame Only (no swivel):
 - SL2132-CCS-BOTTOM
- Also available in:
 - Counter height (40" H)
 - Swivel Frame Only (no swivel):
 - SL1132C-CCS-BOTTOM



SL9136-BLK



SL9136-BUC



- Premium black powder coat wrinkle finish (incl. footring)
- 1.2mm steel frame; 1-1/4" tubing; 100% mig frame & footring
- Non-marring glides included (GL2160-WHITE)
- Stackable: No
- Swivel Frame Only:
 - SL2132S-BOTTOM
- Also available in:
 - Counter height (40" H)
 - Swivel Frame Only:
 - SL1132S-BOTTOM



SL9133TOP-BLK

SL9133TOP-BUC

Cutout Back Bucketwith:	Black Vinyl	Buckskin Vinyl	Approx. Weight
Gloss Black Square Swivel Frame	SL9133-BLK	SL9133-BUC	28 lbs
Double Rung Chrome Swivel Frame	SL9134-BLK	SL9134-BUC	28 lbs
Black Powder Coat Swivel Frame	SL9136-BLK	SL9136-BUC	28 lbs
Clear Coat Swivel Frame	SL9136-CCS-BLK	SL9136-CCS-BUC	28 lbs
Counter Height Black Powder Coat Swivel Frame	SL9036-BLK	SL9036-BUC	27 lbs
Counter Height Clear Coat Swivel Frame	SL9036-CCS-BLK	SL9036-CCS-BUC	27 lbs

- Cutout Back Buckets feature a non-waterfall front & quality fabric-backed, commercial-grade vinyl
- Cutout Back Bucket dimensions: 19" W x 16-1/2" D x 16-1/4" H
Seat thickness: 4-3/8"
- Overall height of barstool on all frame styles: 42-3/4" (counter height: 38-3/4")
Height to top of seat on all frame styles: 30-7/8" (counter height: 26-7/8")
- Heavy-duty 4 degree slant swivel attached to all frame styles
- Bucket seat ships unattached - simple seat attachment required

Bucket - American Made Metal Frame Swivel Barstool



- Premium gloss black square frame with chrome footring
- Non-marring glides included (GL2133)
- Stackable: No
- Swivel Frame Only:
 - SL2133S-BOTTOM



SL3133-BLK



SL3133-ESP

SL3133-WINE



- Double rung chrome frame
- Non-marring glides included (GL2129)
- Stackable: No
- Swivel Frame Only:
 - SL2129S-BOTTOM



SL3134-ESP



SL3134-BLK

SL3134-WINE



- Premium black powder coat wrinkle finish (incl. footring)
- 1.2mm steel frame; 1-1/4" tubing; 100% mig frame & footring
- Non-marring glides included (GL2160-WHITE)
- Stackable: No
- Swivel Frame Only:
 - SL2132S-BOTTOM
- Also available in:
 - Counter height (40" H)
 - Swivel Frame Only:
 - SL1132S-BOTTOM



SL3136-WINE



SL3136-BLK

SL3136-ESP



- Premium clear coat finish (including footring)
- 1.2mm steel frame; 1-1/4" tubing; 100% welded frame & footring
- Non-marring glides included (GL2160-CLEAR)
- Stackable: No
- Swivel Frame Only (no swivel):
 - SL2132-CCS-BOTTOM
- Also available in:
 - Counter height (40" H)
 - Swivel Frame Only (no swivel):
 - SL1132C-CCS-BOTTOM



SL3136-CCS-BLK



SL3136-CCS-WINE

SL3136-CCS-ESP

American Made Bucket with:	Black Vinyl	Espresso Vinyl	Wine Vinyl	Approx. Weight
Gloss Black Square Swivel Frame	SL3133-BLK	SL3133-ESP	SL3133-WINE	28 lbs
Double Rung Chrome Swivel Frame	SL3134-BLK	SL3134-ESP	SL3134-WINE	28 lbs
Black Powder Coat Swivel Frame	SL3136-BLK	SL3136-ESP	SL3136-WINE	28 lbs
Clear Coat Swivel Frame	SL3136-CCS-BLK	SL3136-CCS-ESP	SL3136-CCS-WINE	28 lbs
Counter Height Black Powder Coat Swivel Frame	SLO136-BLK	SLO136-ESP	SLO136-WINE	27 lbs
Counter Height Clear Coat Swivel Frame	SLO136-CCS-BLK	SLO136-CCS-ESP	SLO136-CCS-WINE	27 lbs

- American Made Buckets feature double stitching, a non-water fall front & quality fabric-backed, commercial-grade vinyl
- American Made Bucket dimensions: 19" W x 17" D x 17-1/2" H
Seat thickness: 4-3/8"
- Overall height of barstool on all frame styles: 44" (counter height: 40")
Height to top of seat on all frame styles: 30-7/8" (counter height: 26-7/8")
- Heavy-duty 4 degree slant swivel attached to all frame styles
- Bucket seat ships unattached - simple seat attachment required



WHAT'S ON
TAP
Innovative Ales
Craft Beer
Stuffy Wedge
Cottled Cow
New Menu
100% Local
Great to Self
Live Sweet
100% Local
100% Local
100% Local

Bucket - Standard Metal Frame Swivel Barstool



- Premium gloss black square frame with chrome footring
- Non-marring glides included (GL2133)
- Stackable: No
- Swivel Frame Only:
 - SL2133S-BOTTOM



SL2133-BLK



SL2133-ESP

SL2133-WINE



- Double rung chrome frame
- Non-marring glides included (GL2129)
- Stackable: No
- Swivel Frame Only:
 - SL2129S-BOTTOM



SL2134-ESP

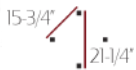


SL2134-BLK

SL2134-WINE



- Premium black powder coat wrinkle finish (incl. footring)
- 1.2mm steel frame; 1-1/4" tubing; 100% mig frame & footring
- Non-marring glides included (GL2160-WHITE)
- Stackable: No
- Swivel Frame Only:
 - SL2132S-BOTTOM
- Also available in:
 - Counter height (40" H)
 - Swivel Frame Only:
 - SLI132S-BOTTOM



SL2136-WINE



SL2136-BLK

SL2136-ESP



- Premium clear coat finish (including footring)
- 1.2mm steel frame; 1-1/4" tubing; 100% welded frame & footring
- Non-marring glides included (GL2160-CLEAR)
- Stackable: No
- Swivel Frame Only (no swivel):
 - SL2132-CCS-BOTTOM
- Also available in:
 - Counter height (40" H)
 - Swivel Frame Only (no swivel):
 - SLI132C-CCS-BOTTOM



SL2136-CCS-BLK



SL2136-CCS-WINE

SL2136-CCS-ESP

Standard Bucket with:	Black Vinyl	Espresso Vinyl	Wine Vinyl	Approx. Weight
Gloss Black Square Swivel Frame	SL2133-BLK	SL2133-ESP	SL2133-WINE	28 lbs
Double Rung Chrome Swivel Frame	SL2134-BLK	SL2134-ESP	SL2134-WINE	28 lbs
Black Powder Coat Swivel Frame	SL2136-BLK	SL2136-ESP	SL2136-WINE	28 lbs
Clear Coat Swivel Frame	SL2136-CCS-BLK	SL2136-CCS-ESP	SL2136-CCS-WINE	28 lbs
Counter Height Black Powder Coat Swivel Frame	SLI136-BLK	SLI136-ESP	SLI136-WINE	27 lbs
Counter Height Clear Coat Swivel Frame	SLI136-CCS-BLK	SLI136-CCS-ESP	SLI136-CCS-WINE	27 lbs

- Standard Buckets feature a waterfall front & quality fabric-backed, commercial-grade vinyl
- Standard Bucket dimensions: 19" W x 16-3/4" D x 17-1/2" H
Seat thickness: 3-1/2"
- Overall height of barstool on all frame styles: 44" (counter height: 40")
Height to top of seat on all frame styles: 30" (counter height: 26")
- Heavy-duty 4 degree slant swivel attached to all frame styles
- Bucket seat ships unattached - simple seat attachment required



Button Top - Standard Metal Frame Swivel Barstool

- Premium gloss black square frame with chrome footring
- Non-marring glides included (GL2133)
- Stackable: No



- Double rung chrome frame
- Non-marring glides included (GL2129)
- Stackable: No



- Premium black powder coat wrinkle finish (incl. footring)
- 1.2mm steel frame; 1-1/4" tubing; 100% welded frame & footring
- Non-marring glides included (GL2160-WHITE)
- Stackable: No



- Premium clear coat finish (including footring)
- 1.2mm steel frame; 1-1/4" tubing; 100% welded frame & footring
- Non-marring glides included (GL2160-CLEAR)
- Stackable: No



- Standard Button Tops feature high-density foam on plywood core wrapped in quality fabric-backed, commercial grade vinyl

- Overall height of barstool on all frame styles: 30" (counter height: 26")
- Heavy-duty flat swivel attached to all frame styles (excl. clear coat frames)

- Button Top seat ships unattached - simple seat attachment required

- Button Top Dimensions:
-

Standard Button Top with:	Black Vinyl	Buckskin Vinyl	Espresso Vinyl	Red Vinyl	Wine Vinyl	Approx. Weight	Swivel Frame Only
Gloss Black Square Swivel Frame	SL2135-BLK	SL2135-BUC	SL2135-ESP	SL2135-RED	SL2135-WINE	20 lbs	SL2133F-BOTTOM
Double Rung Chrome Swivel Frame	SL2129-BLK	SL2129-BUC	SL2129-ESP	SL2129-RED	SL2129-WINE	20 lbs	SL2129F-BOTTOM
Black Powder Coat Swivel Frame	SL2132-BLK	SL2132-BUC	SL2132-ESP	SL2132-RED	SL2132-WINE	20 lbs	SL2132F-BOTTOM
Clear Coat Swivel Frame	SL2132-CCS-BLK	SL2132-CCS-BUC	SL2132-CCS-ESP	SL2132-CCS-RED	SL2132-CCS-WINE	20 lbs	SL2132-CCS-BOTTOM
Counter Height Black Swivel Frame	SL1132-BLK	SL1132-BUC	SL1132-ESP	SL1132-RED	SL1132-WINE	19 lbs	SL1132F-BOTTOM
Counter Height Clear Coat Swivel Frame	SL1132-CCS-BLK	SL1132-CCS-BUC	SL1132-CCS-ESP	SL1132-CCS-RED	SL1132-CCS-WINE	19 lbs	SL1132-CCS-BOTTOM

Button Top - XL Metal Frame Swivel Barstool

Swivel Barstools

- Premium gloss black square frame with chrome footring
- Non-marring glides included (GL2133)
- Stackable: No

- Double rung chrome frame
- Non-marring glides included (GL2129)
- Stackable: No



- Premium black powder coat wrinkle finish (incl. footring)
- 1.2mm steel frame; 1-1/4" tubing; 100% welded frame & footring
- Non-marring glides included (GL2160-WHITE)
- Stackable: No

- Premium clear coat finish (including footring)
- 1.2mm steel frame; 1-1/4" tubing; 100% welded frame & footring
- Non-marring glides included (GL2160-CLEAR)
- Stackable: No



• XL Button Tops feature high-density foam on plywood core wrapped in quality fabric-backed, commercial grade vinyl

- Overall height of barstool on all frame styles: 30" (counter height: 26")
- Heavy-duty flat swivel attached to all frame styles (excl. clear coat frames)

• XL Button Top seat ships unattached - simple seat attachment required

• XL Button Top Dimensions:

Button Top - XL Metal Frame Swivel Barstool

XL Button Top with:	Black Vinyl	Espresso Vinyl	Red Vinyl	Wine Vinyl	Approx. Weight	Swivel Frame Only
Gloss Black Square Swivel Frame	SL3135-BLK	SL3135-ESP	SL3135-RED	SL3135-WINE	20 lbs	SL2133F-BOTTOM
Double Rung Chrome Swivel Frame	SL3129-BLK	SL3129-ESP	SL3129-RED	SL3129-WINE	20 lbs	SL2129F-BOTTOM
Black Powder Coat Swivel Frame	SL3132-BLK	SL3132-ESP	SL3132-RED	SL3132-WINE	20 lbs	SL2132F-BOTTOM
Clear Coat Swivel Frame	SL3132-CCS-BLK	SL3132-CCS-ESP	SL3132-CCS-RED	SL3132-CCS-WINE	20 lbs	SL2132-CCS-BOTTOM
Counter Height Black Powder Coat Swivel Frame	SLO137-BLK	SLO137-ESP	SLO137-RED	SLO137-WINE	19 lbs	SL1132F-BOTTOM
Counter Height Clear Coat Swivel Frame	SLO137-CCS-BLK	SLO137-CCS-ESP	SLO137-CCS-RED	SLO137-CCS-WINE	19 lbs	SL1132-CCS-BOTTOM

Ladderback Bolt Down Pedestal Barstool



For COUNTER HEIGHT Ladderback bolt down pedestals, use **SL7301** for the part number - same pricing.

For CHAIR HEIGHT Ladderback bolt down pedestals, use **SL5301** for the part number - same pricing.

SL6301-WINE



SL6301-BLK

SL6301-BUC

SL6301-ESP

SL6301-RED

SL6301-BW

SL6301-CH



SL6301-MH

SL6301-NT

SL6301-RW

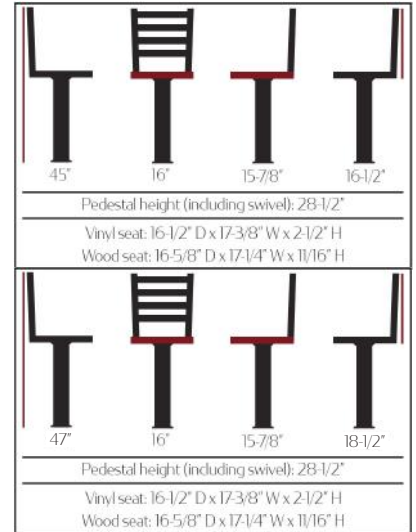
SL6301-WA

SL6301-WB

Counter Height (overall): 39" H; pedestal: 22-1/2" H
Chair Height (overall): 35" H; pedestal: 18-1/2" H

Bolt Down Pedestals	Ladderback	Clear Coat Ladderback	Approx. Weight
Black Vinyl Seat	SL6301-BLK	SL6135C-BLK	30 lbs
Buckskin Vinyl Seat	SL6301-BUC	SL6135C-BUC	30 lbs
Espresso Vinyl Seat	SL6301-ESP	SL6135C-ESP	30 lbs
Red Vinyl Seat	SL6301-RED	SL6135C-RED	30 lbs
Wine Vinyl Seat	SL6301-WINE	SL6135C-WINE	30 lbs
Clear Coat Wood Seat	SL6301-NT	SL6135C-NT	30 lbs
Mahogany Wood Seat	SL6301-MH	SL6135C-MH	30 lbs
Cherry Wood Seat	SL6301-CH	SL6135C-CH	30 lbs
Walnut Wood Seat	SL6301-WA	SL6135C-WA	30 lbs
Black Wood Seat	SL6301-WB	SL6135C-WB	30 lbs
Barnwood Wood Seat	SL6301-BW	SL6135C-BW	30 lbs
Reclaimed Wood Seat	SL6301-RW	SL6135C-RW	30 lbs

- Pedestals have a black powder coat finish & feature a 2.5mm steel column with 4.5mm mounting plate
- All welded joints - nothing to fail
- Heavy-duty 4 degree slant swivel attached to frame
- Ladderback tops (above) feature a premium black powder coat finish; Clear Coat Ladderback tops (below) feature a premium clear coat finish
- Seat ships unattached - simple seat attachment required



For COUNTER HEIGHT Ladderback bolt down pedestals, use **SL7135C** for the part number - same pricing.

For CHAIR HEIGHT Ladderback bolt down pedestals, use **SL5135C** for the part number - same pricing.

SL6135C-MH



SL6135C-NT

SL6135C-RW

SL6135C-WA

SL6135C-WB

SL6135C-BW

SL6135C-CH



SL6135C-BLK

SL6135C-BUC

SL6135C-ESP

SL6135C-RED

SL6135C-WINE

Windowpane / Verticalback Bolt Down Pedestal Barstool



For COUNTER HEIGHT
Windowpane
bolt down pedestals,
use **SL7163** for the part
number - same pricing.

For CHAIR HEIGHT
Windowpane
bolt down pedestals,
use **SL5163** for the part
number - same pricing.

SL6163-NT



SL6163-RW

SL6163-WA

SL6163-WB

SL6163-BW

SL6163-CH

SL6163-MH



SL6163-BLK

SL6163-BUC

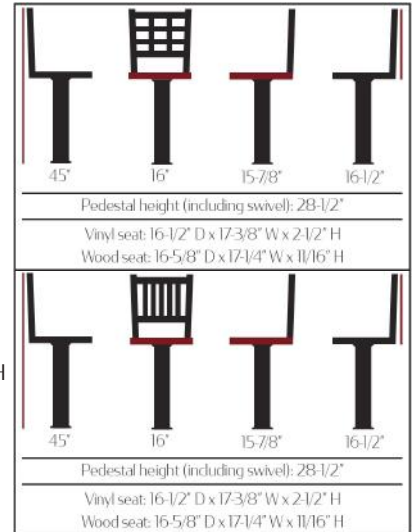
SL6163-ESP

SL6163-RED

SL6163-WINE

Bolt Down Pedestals	Windowpane	Verticalback	Approx. Weight
Black Vinyl Seat	SL6163-BLK	SL6090-BLK	30 lbs
Buckskin Vinyl Seat	SL6163-BUC	SL6090-BUC	30 lbs
Espresso Vinyl Seat	SL6163-ESP	SL6090-ESP	30 lbs
Red Vinyl Seat	SL6163-RED	SL6090-RED	30 lbs
Wine Vinyl Seat	SL6163-WINE	SL6090-WINE	30 lbs
Clear Coat Wood Seat	SL6163-NT	SL6090-NT	30 lbs
Mahogany Wood Seat	SL6163-MH	SL6090-MH	30 lbs
Cherry Wood Seat	SL6163-CH	SL6090-CH	30 lbs
Walnut Wood Seat	SL6163-WA	SL6090-WA	30 lbs
Black Wood Seat	SL6163-WB	SL6090-WB	30 lbs
Barnwood Wood Seat	SL6163-BW	SL6090-BW	30 lbs
Reclaimed Wood Seat	SL6163-RW	SL6090-RW	30 lbs

- Pedestals have a black powder coat finish & feature a 2.5mm steel column with a 4.5mm mounting plate
- All welded joints - nothing to fail
- Heavy-duty 4 degree slant swivel attached to frame
- Swivel tops feature a premium black powder coat wrinkle finish
- Seat ships unattached - simple seat attachment required
- Counter Height (overall): 39" H; pedestal: 22-1/2" H
- Chair Height (overall): 35" H; pedestal: 18-1/2" H



For COUNTER HEIGHT
Verticalback
bolt down pedestals,
use **SL7090** for the part
number - same pricing.

For CHAIR HEIGHT
Verticalback
bolt down pedestals,
use **SL5090** for the part
number - same pricing.

SL6090-BLK



SL6090-BUC

SL6090-ESP

SL6090-RED

SL6090-WINE

SL6090-BW

SL6090-CH



SL6090-MH

SL6090-NT

SL6090-RW

SL6090-WA

SL6090-WB

5 Line / Bullseye Wood Back Bolt Down Pedestal Barstool



For COUNTER HEIGHT
5 Line Wood Back
bolt down pedestals,
use **SL7150-5** for the part
number - same pricing.

For CHAIR HEIGHT
5 Line Wood Back
bolt down pedestals,
use **SL5150-5** for the part
number - same pricing.

SL6150-5-WA-BUC



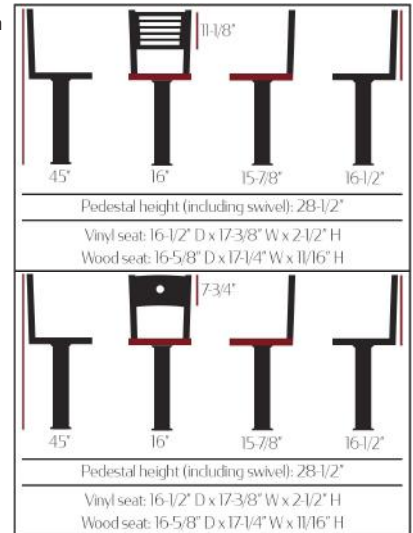
SL6150-5-WA SL6150-5-CH-BLK SL6150-5-CH SL6150-5-MH-WINE SL6150-5-MH



SL6150-5-NT-ESP SL6150-5-NT SL6150-5-WB-RED SL6150-5-WB

Bolt Down Pedestals	5 Line	Bullseye	Approx. Weight
Black Vinyl Seat	SL6150-5(-)BLK	SL6150-B(-)BLK	30 lbs
Buckskin Vinyl Seat	SL6150-5(-)BUC	SL6150-B(-)BUC	30 lbs
Espresso Vinyl Seat	SL6150-5(-)ESP	SL6150-B(-)ESP	30 lbs
Red Vinyl Seat	SL6150-5(-)RED	SL6150-B(-)RED	30 lbs
Wine Vinyl Seat	SL6150-5(-)WINE	SL6150-B(-)WINE	30 lbs
Clear Coat Wood Seat	SL6150-5(-)NT	SL6150-B(-)NT	30 lbs
Mahogany Wood Seat	SL6150-5(-)MH	SL6150-B(-)MH	30 lbs
Cherry Wood Seat	SL6150-5(-)CH	SL6150-B(-)CH	30 lbs
Walnut Wood Seat	SL6150-5(-)WA	SL6150-B(-)WA	30 lbs
Black Wood Seat	SL6150-5(-)WB	SL6150-B(-)WB	30 lbs
Barnwood Wood Seat	SL6150-5(-)BW	SL6150-B(-)BW	30 lbs
Reclaimed Wood Seat	SL6150-5(-)RW	SL6150-B(-)RW	30 lbs

- Pedestals have a black powder coat finish & feature a 2.5mm steel column with a 4.5mm mounting plate
- All welded joints - nothing to fail
- Heavy-duty 4 degree slant swivel attached to frame
- Wood back tops feature a premium black powder coat wrinkle finish
- Seat back ships attached; seat ships unattached - simple seat attachment required
- Counter Height (overall): 39" H; pedestal: 22-1/2" H
- Chair Height (overall): 35" H; pedestal: 18-1/2" H



Swivel barstool part numbers are as follows:
SL6150-Back Style-Back Stain-Seat Option
 (e.g. SL6150-5-NT-BLK)

*Note: If seat option is matching wood seat, simply indicate the stain only (e.g. SL6150-B-WA).



For COUNTER HEIGHT
Bullseye Wood Back
bolt down pedestals,
use **SL7150-B** for the part
number - same pricing.

For CHAIR HEIGHT
Bullseye Wood Back
bolt down pedestals,
use **SL5150-B** for the part
number - same pricing.

SL6150-B-CH



SL6150-B-CH-BLK SL6150-B-MH SL6150-B-MH-WINE SL6150-B-NT SL6150-B-NT-BUC



SL6090-WA SL6150-B-WA-ESP SL6090-WB-BW SL6150-B-WB-BLK

Plain / Shoreline Wood Back Bolt Down Pedestal Barstool

Bolt Down Pedestal Seating

Plain / Shoreline Wood Back Bolt Down Pedestal Barstool



For COUNTER HEIGHT Plain Wood Back bolt down pedestals, use **SL7150-P** for the part number - same pricing.

For CHAIR HEIGHT Plain Wood Back bolt down pedestals, use **SL5150-P** for the part number - same pricing.

SL6150-P-WB



SL6150-P-WB-WINE SL6150-P-CH SL6150-P-CH-RED SL6150-P-MH SL6150-P-MH-BLK



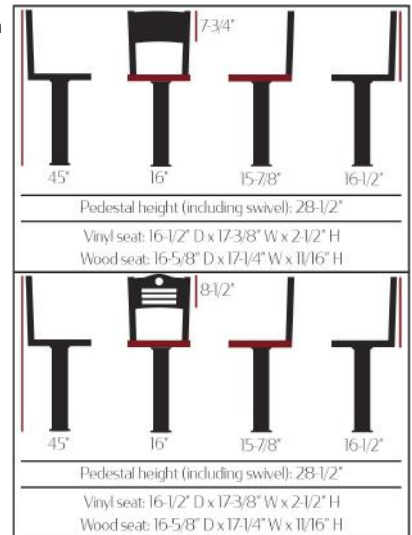
SL6150-P-NT SL6150-P-NT-BUC SL6150-P-WA SL6150-P-WA-ESP

Add your logo or design for a custom, unique look with our laser engraved backs!
1A only *Upcharge*



Bolt Down Pedestals	Plain	Shoreline	Approx. Weight
Black Vinyl Seat	SL6150-P(-)-BLK	SL6150-SH(-)-BLK	30 lbs
Buckskin Vinyl Seat	SL6150-P(-)-BUC	SL6150-SH(-)-BUC	30 lbs
Espresso Vinyl Seat	SL6150-P(-)-ESP	SL6150-SH(-)-ESP	30 lbs
Red Vinyl Seat	SL6150-P(-)-RED	SL6150-SH(-)-RED	30 lbs
Wine Vinyl Seat	SL6150-P(-)-WINE	SL6150-SH(-)-WINE	30 lbs
Clear Coat Wood Seat	SL6150-P(-)-NT	SL6150-SH(-)-NT	30 lbs
Mahogany Wood Seat	SL6150-P(-)-MH	SL6150-SH(-)-MH	30 lbs
Cherry Wood Seat	SL6150-P(-)-CH	SL6150-SH(-)-CH	30 lbs
Walnut Wood Seat	SL6150-P(-)-WA	SL6150-SH(-)-WA	30 lbs
Black Wood Seat	SL6150-P(-)-WB	SL6150-SH(-)-WB	30 lbs
Barnwood Wood Seat	SL6150-P(-)-BW	SL6150-SH(-)-BW	30 lbs
Reclaimed Wood Seat	SL6150-P(-)-RW	SL6150-SH(-)-RW	30 lbs

- Pedestals have a black powder coat finish & feature a 2.5mm steel column with a 4.5mm mounting plate
- All welded joints - nothing to fail
- Heavy-duty 4 degree slant swivel attached to frame
- Wood back tops feature a premium black powder coat wrinkle finish
- Seat back ships attached; seat ships unattached - simple seat attachment required
- Counter Height (overall): 39" H; pedestal: 22-1/2" H
- Chair Height (overall): 35" H; pedestal: 18-1/2" H



Swivel barstool part numbers are as follows:
SL6150-Back Style-Back Stain-Seat Option
 (e.g. SL6150-P-NT-BLK)
 *Note: If seat option is matching wood seat, simply indicate the stain only (e.g. SL6150-SH-WA).



For COUNTER HEIGHT Shoreline Wood Back bolt down pedestals, use **SL7150-SH** for the part number - same pricing.

For CHAIR HEIGHT Shoreline Wood Back bolt down pedestals, use **SL5150-SH** for the part number - same pricing.

SL6150-SH-MH-WINE



SL6150-SH-MH SL6150-SH-NT-ESP SL6150-SH-NT SL6150-SH-WA-BUC SL6150-SH-WA



SL6150-SH-BW-RED SL6150-SH-WB-BW SL6150-SH-CH-BLK SL6150-SH-CH

Bucket Bolt Down Pedestal Barstool



SL6133IMP-WINE

For COUNTER HEIGHT
Standard Bucket
bolt down pedestals,
use **SL7133IMP** for the
part number - same pricing.

For CHAIR HEIGHT
Standard Bucket
bolt down pedestals,
use **SL5133IMP** for the
part number - same pricing.



SL6133IMP-ESP

SL6133IMP-BLK

For COUNTER HEIGHT
American Made Bucket
bolt down pedestals,
use **SL7133DOM** for the
part number - same pricing.

For CHAIR HEIGHT
American Made Bucket
bolt down pedestals,
use **SL5133DOM** for the
part number - same pricing.

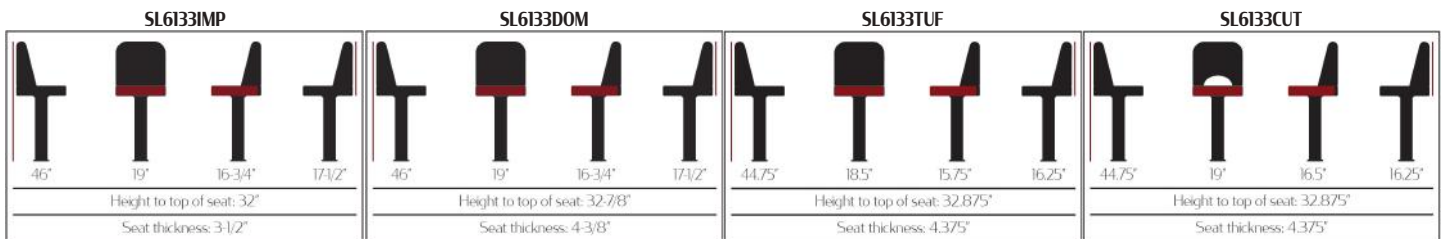


SL6133DOM-ESP



SL6133DOM-WINE

SL6133DOM-BLK



Bolt Down Pedestals	Black Vinyl	Buckskin Vinyl	Espresso Vinyl	Wine Vinyl	Approx. Weight
Standard Bucket	SL6133IMP-BLK	-	SL6133IMP-ESP	SL6133IMP-WINE	34 lbs
American Made Bucket	SL6133DOM-BLK	-	SL6133DOM-ESP	SL6133DOM-WINE	34 lbs
Tufted Back Bucket	SL6133TUF-BLK	SL6133TUF-BUC	-	-	34 lbs
Cutout Back Bucket	SL6133CUT-BLK	SL6133CUT-BUC	-	-	34 lbs

All spec sheets are available in AutoQuotes or online at www.oakstreetmfg.com



SL6133TUF-BUC

For COUNTER HEIGHT
Tufted Back Bucket
bolt down pedestals,
use **SL7133TUF** for the
part number - same pricing.

For CHAIR HEIGHT
Tufted Back Bucket
bolt down pedestals,
use **SL5133TUF** for the
part number - same pricing.



SL6133TUF-BLK

For COUNTER HEIGHT
Cutout Back Bucket
bolt down pedestals,
use **SL7133CUT** for the
part number - same pricing.

For CHAIR HEIGHT
Cutout Back Bucket
bolt down pedestals,
use **SL5133CUT** for the
part number - same pricing.



SL6133CUT-BLK



SL6133CUT-BUC

Button Top Bolt Down Pedestal Barstool

Bolt Down Pedestal Seating



For COUNTER HEIGHT
Standard button top bolt down pedestals,
use **SL6129** for the part number - same pricing.

For CHAIR HEIGHT
Standard button top bolt down pedestals,
use **SL5129** for the part number - same pricing.

Standard Button Top Pedestal Barstools



SL6129-RED SL6129-WINE SL6129-BLK SL6129-BUC SL6129-ESP

For COUNTER HEIGHT
XL button top bolt down pedestals,
use **SL7129XL** for the part number - same pricing.

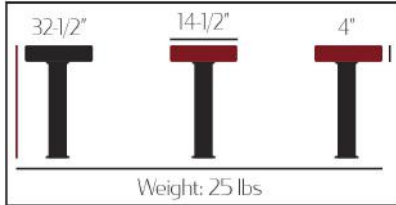
For CHAIR HEIGHT
XL button top bolt down pedestals,
use **SL5129XL** for the part number - same pricing.

XL Button Top Pedestal Barstools

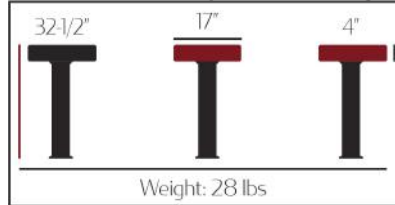


SL6129XL-RED SL6129XL-ESP SL6129XL-BLK SL6129XL-WINE

SL6129 - Standard Button Top Pedestals (Bar Height)



SL6129XL - XL Button Top Pedestals (Bar Height)



Button Top Bolt Down Pedestals	Black Vinyl	Wine Vinyl	Red Vinyl	Espresso Vinyl	Buckskin Vinyl	Approx. Weight
Standard	SL6129-BLK	SL6129-WINE	SL6129-RED	SL6129-ESP	SL6129-BUC	25 lbs
XL	SL6129XL-BLK	SL6129XL-WINE	SL6129XL-RED	SL6129XL-ESP	-	28 lbs

Button Top Bolt Down Pedestal Barstool

Parts

Description	Part #	Approx. Weight
Standard BLACK vinyl seat for metal frame, metal frame - wood back, & solid wood chairs, barstools, swivel barstools or pedestals	SLSEAT-BLK	4 lbs
Standard BUCKSKIN vinyl seat for metal frame, metal frame - wood back, & solid wood chairs, barstools, swivel barstools or pedestals	SLSEAT-BUC	4 lbs
Standard ESPRESSO vinyl seat for metal frame, metal frame - wood back, & solid wood chairs, barstools, swivel barstools or pedestals	SLSEAT-ESP	4 lbs
Standard RED vinyl seat for metal frame, metal frame - wood back, & solid wood chairs, barstools, swivel barstools or pedestals	SLSEAT-RED	4 lbs
Standard WINE vinyl seat for metal frame, metal frame - wood back, & solid wood chairs, barstools, swivel barstools or pedestals	SLSEAT-WINE	4 lbs
Standard CUSTOMER'S OWN MATERIAL PROVIDED vinyl seat for metal frame, metal frame - wood back, & solid wood chairs, barstools, swivel barstools or pedestals	SLSEAT-COM	4 lbs
Standard CUSTOM vinyl seat for metal frame, metal frame - wood back, & solid wood chairs, barstools, swivel barstools or pedestals	SLSEAT-CUSTOM	4 lbs
Outdoor BLACK vinyl seat for OD-CM-234 or OD-BM-234	OD-SLSEAT-BLK	4 lbs
Standard BLACK wood seat for metal frame, metal frame - wood back, & solid wood chairs, barstools, swivel barstools or pedestals	SLSEATWOODIMP-BLK	4 lbs
Standard CHERRY wood seat for metal frame, metal frame - wood back, & solid wood chairs, barstools, swivel barstools or pedestals	SLSEATWOODIMP-CH	4 lbs
Standard WALNUT wood seat for metal frame, metal frame - wood back, & solid wood chairs, barstools, swivel barstools or pedestals	SLSEATWOODIMP-WA	4 lbs
Standard MAHOGANY wood seat for metal frame, metal frame - wood back, & solid wood chairs, barstools, swivel barstools or pedestals	SLSEATWOODIMP-MH	4 lbs
Standard CLEAR COAT wood seat for metal frame, metal frame - wood back, & solid wood chairs, barstools, swivel barstools or pedestals	SLSEATWOODIMP-NT	4 lbs
Standard RECLAIMED wood seat for metal frame, metal frame - wood back, & solid wood chairs, barstools, swivel barstools or pedestals	SLSEATWOODIMP-RECLAIM	4 lbs
Standard BARNWOOD wood seat for metal frame, metal frame - wood back, & solid wood chairs, barstools, swivel barstools or pedestals	SLSEATWOODIMP-BW	4 lbs
XL BLACK vinyl seat for XL metal frame ladderback CHAIRS & STATIONARY BARSTOOLS	SLSEAT-XL-BLK	7 lbs
XL BUCKSKIN vinyl seat for XL metal frame ladderback CHAIRS & STATIONARY BARSTOOLS	SLSEAT-XL-BUC	7 lbs
XL ESPRESSO vinyl seat for XL metal frame ladderback CHAIRS & STATIONARY BARSTOOLS	SLSEAT-XL-ESP	7 lbs
XL RED vinyl seat for XL metal frame ladderback CHAIRS & STATIONARY BARSTOOLS	SLSEAT-XL-RED	7 lbs
XL WINE vinyl seat for XL metal frame ladderback CHAIRS & STATIONARY BARSTOOLS	SLSEAT-XL-WINE	7 lbs
XL CUSTOMER'S OWN MATERIAL PROVIDED vinyl seat for XL metal frame ladderback CHAIRS & STATIONARY BARSTOOLS	SLSEAT-XL-COM	7 lbs
XL CUSTOM vinyl seat for XL metal frame ladderback CHAIRS & STATIONARY BARSTOOLS	SLSEAT-XL-CUSTOM	7 lbs
XL BLACK wood seat for XL metal frame ladderback CHAIRS & STATIONARY BARSTOOLS	SLSEAT-XL-WOODIMP-BLK	7 lbs
XL CHERRY wood seat for XL metal frame ladderback CHAIRS & STATIONARY BARSTOOLS	SLSEAT-XL-WOODIMP-CH	7 lbs
XL WALNUT wood seat for XL metal frame ladderback CHAIRS & STATIONARY BARSTOOLS	SLSEAT-XL-WOODIMP-WA	7 lbs
XL MAHOGANY wood seat for XL metal frame ladderback CHAIRS & STATIONARY BARSTOOLS	SLSEAT-XL-WOODIMP-MH	7 lbs
XL CLEAR COAT wood seat for XL metal frame ladderback CHAIRS & STATIONARY BARSTOOLS	SLSEAT-XL-WOODIMP-NT	7 lbs
Bullseye BLACK wood back only for metal frame - wood back chairs, barstools, swivel barstools or pedestals	BKT-A BACK-BLACK	3 lbs
Bullseye CHERRY wood back only for metal frame - wood back chairs, barstools, swivel barstools or pedestals	BKT-A BACK-CHERRY	3 lbs
Bullseye WALNUT wood back only for metal frame - wood back chairs, barstools, swivel barstools or pedestals	BKT-A BACK-WALNUT	3 lbs
Bullseye MAHOGANY wood back only for metal frame - wood back chairs, barstools, swivel barstools or pedestals	BKT-A BACK-MAHOGANY	3 lbs
Bullseye CLEAR COAT wood back only for metal frame - wood back chairs, barstools, swivel barstools or pedestals	BKT-A BACK-NATURAL	3 lbs
Plain BLACK wood back only for metal frame - wood back chairs, barstools, swivel barstools or pedestals	BKT-C BACK-BLACK	3 lbs
Plain CHERRY wood back only for metal frame - wood back chairs, barstools, swivel barstools or pedestals	BKT-C BACK-CHERRY	3 lbs
Plain WALNUT wood back only for metal frame - wood back chairs, barstools, swivel barstools or pedestals	BKT-C BACK-WALNUT	3 lbs
Plain MAHOGANY wood back only for metal frame - wood back chairs, barstools, swivel barstools or pedestals	BKT-C BACK-MAHOGANY	3 lbs
Plain CLEAR COAT wood back only for metal frame - wood back chairs, barstools, swivel barstools or pedestals	BKT-C BACK-NATURAL	3 lbs
Shoreline BLACK wood back only for metal frame - wood back chairs, barstools, swivel barstools or pedestals	BKT-D BACK-BLACK	3 lbs
Shoreline CHERRY wood back only for metal frame - wood back chairs, barstools, swivel barstools or pedestals	BKT-D BACK-CHERRY	3 lbs
Shoreline WALNUT wood back only for metal frame - wood back chairs, barstools, swivel barstools or pedestals	BKT-D BACK-WALNUT	3 lbs
Shoreline MAHOGANY wood back only for metal frame - wood back chairs, barstools, swivel barstools or pedestals	BKT-D BACK-MAHOGANY	3 lbs
Shoreline CLEAR COAT wood back only for metal frame - wood back chairs, barstools, swivel barstools or pedestals	BKT-D BACK-NATURAL	3 lbs
5 Line BLACK wood back only for metal frame - wood back chairs, barstools, swivel barstools or pedestals	BKT-E BACK-BLACK	3 lbs
5 Line CHERRY wood back only for metal frame - wood back chairs, barstools, swivel barstools or pedestals	BKT-E BACK-CHERRY	3 lbs
5 Line WALNUT wood back only for metal frame - wood back chairs, barstools, swivel barstools or pedestals	BKT-E BACK-WALNUT	3 lbs
5 Line MAHOGANY wood back only for metal frame - wood back chairs, barstools, swivel barstools or pedestals	BKT-E BACK-MAHOGANY	3 lbs
5 Line CLEAR COAT wood back only for metal frame - wood back chairs, barstools, swivel barstools or pedestals	BKT-E BACK-NATURAL	3 lbs
Steel series BLACK vinyl seat	CM/BM-256-SEAT-VINYL	5 lbs
Steel series CLEAR COAT wood seat	CM/BM-256-SEAT-WOOD	5 lbs
Solid wood seat BLACK finish for WC/WB101 or WC/WB102	CW/BW-SEAT-BLK	5 lbs
Solid wood seat MAHOGANY finish for WC/WB101 or WC/WB102	CW/BW-SEAT-MH	5 lbs
Solid wood seat WALNUT finish for WC/WB101 or WC/WB102	CW/BW-SEAT-WA	5 lbs
Solid wood seat natural CLEAR COAT finish for WC/WB101 or WC/WB102	CW/BW-SEAT-NT	5 lbs

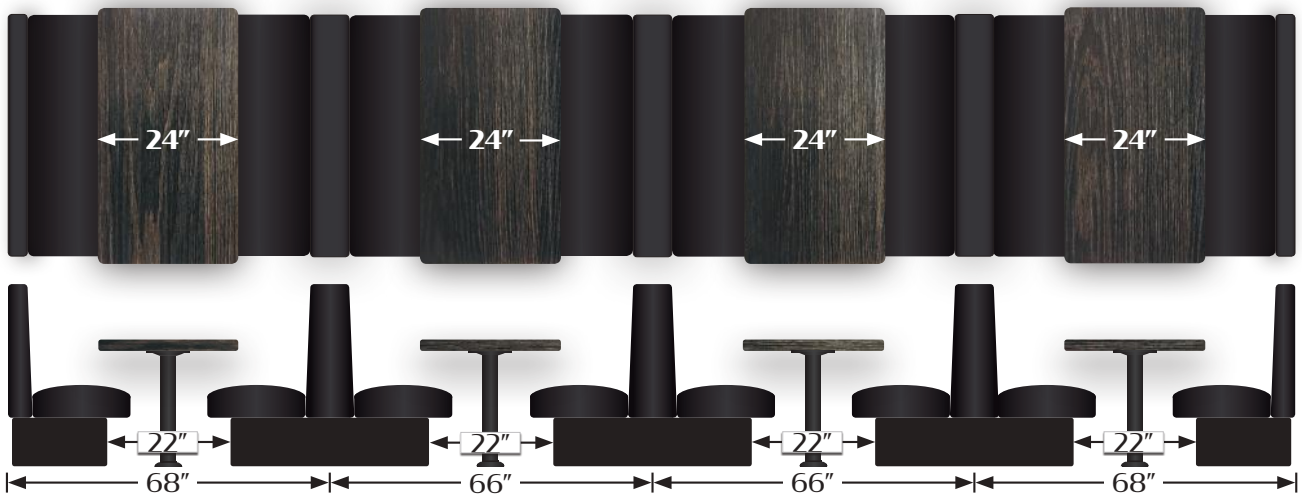
Description	Part #	Approx. Weight
Standard/Banquet Stack Chair BLACK vinyl seat for SL2082 or SL2089	SL2082SEAT-BLK	4 lbs
Standard/Banquet Stack Chair ESPRESSO vinyl seat for SL2082 or SL2089	SL2082SEAT-ESP	4 lbs
Standard/Banquet Stack Chair WINE vinyl seat for SL2082 or SL2089	SL2082SEAT-WINE	4 lbs
Standard Stack Chair BLACK vinyl back for SL2082	SL2082BACK-BLK	4 lbs
Standard Stack Chair ESPRESSO vinyl back for SL2082	SL2082BACK-ESP	4 lbs
Standard Stack Chair WINE vinyl back for SL2082	SL2082BACK-WINE	4 lbs
Banquet Stack Chair BLACK vinyl back for SL2089	SL2089BACK-BLK	4 lbs
Banquet Stack Chair WINE vinyl back for SL2089	SL2089BACK-WINE	4 lbs
Standard BLACK bucket with commercial-grade vinyl & waterfall front for SL2133, SL2136, SL2134, SL1136, SL2136-CCS, SL1136-CCS, SL5133IMP, SL6133IMP or SL7133IMP	SL2133TOP-BLK	16 lbs
Standard WINE bucket with commercial-grade vinyl & waterfall front for SL2133, SL2136, SL2134, SL1136, SL2136-CCS, SL1136-CCS, SL5133IMP, SL6133IMP or SL7133IMP	SL2133TOP-WINE	16 lbs
Standard ESPRESSO bucket with commercial-grade vinyl & waterfall front for SL2133, SL2136, SL2134, SL1136, SL2136-CCS, SL1136-CCS, SL5133IMP, SL6133IMP or SL7133IMP	SL2133TOP-ESP	16 lbs
American Made BLACK bucket with commercial-grade vinyl & non-waterfall front for SL3133, SL3136, SL3134, SL0136, SL3136-CCS, SL0136-CCS, SL5133DOM, SL6133DOM or SL7133DOM	SL3133TOP-BLK	16 lbs
American Made WINE bucket with commercial-grade vinyl & non-waterfall front for SL3133, SL3136, SL3134, SL0136, SL3136-CCS, SL0136-CCS, SL5133DOM, SL6133DOM or SL7133DOM	SL3133TOP-WINE	16 lbs
American Made ESPRESSO bucket with commercial-grade vinyl & non-waterfall front for SL3133, SL3136, SL3134, SL0136, SL3136-CCS, SL0136-CCS, SL5133DOM, SL6133DOM or SL7133DOM	SL3133TOP-ESP	16 lbs
Tufted Back BLACK bucket with commercial-grade vinyl & non-waterfall front for SL8133, SL8136, SL8134, SL0136, SL8136-CCS, SL8136-CCS, SL5133TUF, SL6133TUF or SL7133TUF	SL8133TOP-BLK	16 lbs
Tufted Back BUCKSKIN bucket with commercial-grade vinyl & non-waterfall front for SL8133, SL8136, SL8134, SL0136, SL8136-CCS, SL8136-CCS, SL5133TUF, SL6133TUF or SL7133TUF	SL8133TOP-BUC	16 lbs
Cutout Back BLACK bucket with commercial-grade vinyl & non-waterfall front for SL9133, SL9136, SL9134, SL0136, SL9136-CCS, SL9136-CCS, SL5133CUT, SL6133CUT or SL7133CUT	SL9133TOP-BLK	16 lbs
Cutout Back BUCKSKIN bucket with commercial-grade vinyl & non-waterfall front for SL9133, SL9136, SL9134, SL0136, SL9136-CCS, SL9136-CCS, SL5133CUT, SL6133CUT or SL7133CUT	SL9133TOP-BUC	16 lbs
Standard BLACK button top with commercial-grade vinyl for SL2135, SL2132, SL2129, SL1132, SL2132-CCS, SL1132-CCS, SL6129 or SL7129	SL2129TOP-BLK	7 lbs
Standard RED button top with commercial-grade vinyl for SL2135, SL2132, SL2129, SL1132, SL2132-CCS, SL1132-CCS, SL6129 or SL7129	SL2129TOP-RED	7 lbs
Standard WINE button top with commercial-grade vinyl for SL2135, SL2132, SL2129, SL1132, SL2132-CCS, SL1132-CCS, SL6129 or SL7129	SL2129TOP-WINE	7 lbs
Standard ESPRESSO button top with commercial-grade vinyl for SL2135, SL2132, SL2129, SL1132, SL2132-CCS, SL1132-CCS, SL6129 or SL7129	SL2129TOP-ESP	7 lbs
Standard BUCKSKIN button top with commercial-grade vinyl for SL2135, SL2132, SL2129, SL1132, SL2132-CCS, SL1132-CCS, SL6129 or SL7129	SL2129TOP-BUC	7 lbs
XL BLACK button top with commercial-grade vinyl for SL3135, SL3132, SL3129, SL0137, SL3132-CCS, SL0137-CCS, SL6129XL, SL7129XL, BB-288 or BB-288-CCS	SL3129TOP-BLK	10 lbs
XL RED button top with commercial-grade vinyl for SL3135, SL3132, SL3129, SL0137, SL3132-CCS, SL0137-CCS, SL6129XL, SL7129XL, BB-288 or BB-288-CCS	SL3129TOP-RED	10 lbs
XL WINE button top with commercial-grade vinyl for SL3135, SL3132, SL3129, SL0137, SL3132-CCS, SL0137-CCS, SL6129XL, SL7129XL, BB-288 or BB-288-CCS	SL3129TOP-WINE	10 lbs
XL ESPRESSO button top with commercial-grade vinyl for SL3135, SL3132, SL3129, SL0137, SL3132-CCS, SL0137-CCS, SL6129XL or SL7129XL	SL3129TOP-ESP	10 lbs
Slimline button top with commercial-grade vinyl for SL1117, SL0117 (specify in-stock vinyl choice - made to order)	SL1117TOP	7 lbs
Frame - Black powder coat swivel FRAME ONLY (no swivel)	SL2132-BOTTOM	15 lbs
Frame - Black powder coat swivel FRAME ONLY (with flat swivel)	SL2132F-BOTTOM	15 lbs
Frame - Black powder coat swivel FRAME ONLY (with slant swivel)	SL2132S-BOTTOM	15 lbs
Frame - Counter Height black powder coat swivel FRAME ONLY (no swivel)	SL1132-BOTTOM	15 lbs
Frame - Counter Height black powder coat swivel FRAME ONLY (with flat swivel)	SL1132F-BOTTOM	15 lbs
Frame - Counter Height black powder coat swivel FRAME ONLY (with slant swivel)	SL1132S-BOTTOM	15 lbs
Frame - Clear coat swivel FRAME ONLY (no swivel)	SL2132-CCS-BOTTOM	15 lbs
Frame - Counter Height clear coat swivel FRAME ONLY (no swivel)	SL1132C-CCS-BOTTOM	15 lbs
Frame - Gloss black square swivel frame with single chrome rung - FRAME ONLY (with flat swivel)	SL2133F-BOTTOM	15 lbs
Frame - Gloss black square swivel frame with single chrome rung - FRAME ONLY (with slant swivel)	SL2133S-BOTTOM	15 lbs
Frame - Double rung chrome swivel FRAME ONLY (with flat swivel)	SL2129F-BOTTOM	15 lbs
Frame - Double rung chrome swivel FRAME ONLY (with slant swivel)	SL2129S-BOTTOM	15 lbs
Bolt Down Pedestal for swivel barstools - Bar Height (swivel not included - must be ordered separately)	BDP BAR HEIGHT	15 lbs
Bolt Down Pedestal for swivel barstools - Counter Height (swivel not included - must be ordered separately)	BDP COUNTER HEIGHT	12 lbs
Bolt Down Pedestal for swivel barstools - Chair Height (swivel not included - must be ordered separately)	BDP CHAIR HEIGHT	10 lbs
Swivel - Heavy Duty flat swivel	SW-HD-FLAT	4 lbs
Swivel - Heavy Duty 4 degree slant swivel	SW-HD-4D	4 lbs
Glide - Clear non-marring plastic glide for CM/BM-234, ST2160, SL2150/-1/-1S, SL11/2137, SL2301-S, SL2090-S, SL2163-S, SL01/1136, SL21/3136, SL21/3132	GL2160-CLEAR	
Glide - Felt covered non-marring glide for CM/BM-234, ST2160, SL2150/-1/-1S, SL11/2137, SL2301-S, SL2090-S, SL2163-S, SL01/1136, SL21/3136, SL21/3132	GL2160-FELT	
Glide - White non-marring plastic glide for CM/BM-234, ST2160, SL2150/-1/-1S, SL11/2137, SL2301-S, SL2090-S, SL2163-S, SL01/1136, SL21/3136, SL21/3132	GL2160-WHITE	
Glide - Black non-marring plastic glide for CM/BM-234, ST2160, SL2150/-1/-1S, SL11/2137, SL2301-S, SL2090-S, SL2163-S, SL01/1136, SL21/3136, SL21/3132	GL234	
Glide - White non-marring plastic glide for WC/WB101, WC/WB102, CW/BW-554, WC/WB-305	WC/WB-GLIDE	
Glide - Felt covered non-marring plastic glide for WC/WB101, WC/WB102, CW/BW-554, WC/WB-305	WC/WB-FELT-GLIDE	
Glide - Non-marring plastic glide for SL2082, SL2089	GL2082	
Glide - Non-marring glide for SL21/3133, SL21/3135	GL2133	
Glide - Clear non-marring plastic glide for SL4279, SL4279-1 BACK LEGS ONLY	GL4279	
Glide - Non-marring glide for SL21/3134, SL21/3129, SL2131	GL2129	
Glide - Non-marring glide for CM/BM-252-ALM	GL252	
Glide for CM/BM-256-STEEL	GL-256	
Glide for Outlander series chair or barstool	GL6058	

Recommended Booth Layouts



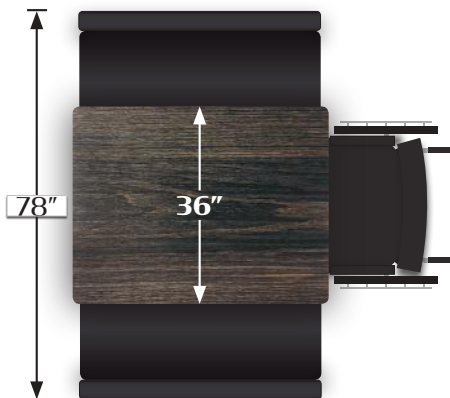
End booth spacing is wider to keep symmetrical dimensions between inner booths

End booth spacing is wider to keep symmetrical dimensions between inner booths



End booth spacing is wider to keep symmetrical dimensions between inner booths

End booth spacing is wider to keep symmetrical dimensions between inner booths



If seeking an ADA compliant accessible booth, a table top with a minimum width of 36" would accommodate the required clear floor area of 30" x 48".



Ambrose Top stitched seams with updated pillow back

48" L x 42" H singles & doubles stocked in black in-house vinyl



AM-4842-SGL-BLK



AM-4842-DBL-BLK

Booths & Benches Made to Order



All Oak Street vinyl booth seats are reversible & removable - prolonging the life of seat & making it easier to clean.



All Oak Street vinyl booths feature independent seat backs that are bolted, not glued or stapled to base - adding strength & durability.



Available with vinyl toekick



Oak Street vinyl booth frames are more durable than competitors. 48+ screws & bolts are used in assembly.



All Oak Street booth seats & backs feature fully sculpted, springless foam. No springs to break, sag or squeak.



All Oak Street vinyl booths feature metal edge brackets are used in base corners - adding strength & durability.



All Oak Street vinyl booth ends are finished for endless room reconfiguration possibilities.



All Oak Street booth seats & backs feature slip sheets over seat foam allow vinyl or upholstery to recover after use - reducing wear.



All Oak Street vinyl booths feature a superior one-step black vinyl toekick glued with for EVA glue process & edged with poly protective corners or ultra durable steel toekick.

- Finished ends & backs standard
- Independent base disperses stress on seat back.
- Consistent seat back framing from single to double booths - without a concave wood back & thin layer of foam. Our backs are straight with extra thick foam contoured to the specific shape needed for extra cushion.
- Booths ship with nylon glides.
- Booths ship using Freight Saver design unless otherwise specified.

Textured Concrete



Weathered Pewter



Raven Slate



Vintage Oak



Modern Marble



Knotty Oak



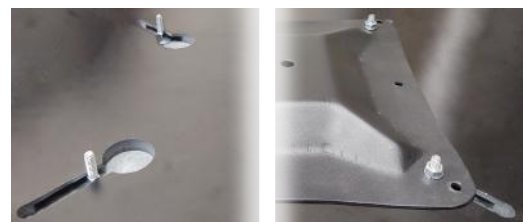
Maremma



- COMPCOR outdoor table tops are an HPL product manufactured with high-tech polymers providing extreme durability for both interior & exterior use
- Features a core comprised of thin layers of kraft paper saturated with phenolic resin and pressed under high temperature & pressure
- 12mm thickness with t-slots for easy base mounting (shown below!)
- 2" umbrella hole and grommet are available on some sizes
- All tops boxed; tops over 48" subject to an oversized pallet fee per pallet
- Pairs with Oak Street DURAFINISH outdoor table bases (page T12)

	Weather Resistant		Stain Resistant		Flame Resistant
	Water Resistant		Scratch Resistant		Colorfast
	Heat Resistant		Rot Resistant		Impact Resistant

NEW & IMPROVED base mounting process!



	Knotty Oak	Weathered Pewter	Vintage Oak	Raven Slate	Modern Marble	Textured Concrete	Maremma	Approx. Weight
24" x 30"	CC2430-KO	CC2430-WP	CC2430-VO	CC2430-RS	CC2430-MM	CC2430-TC	CC2430-MA	16 lbs
30" x 30"	CC3030-KO	CC3030-WP	CC3030-VO	CC3030-RS	CC3030-MM	CC3030-TC	CC3030-MA	19 lbs
30" x 48"	CC3048-KO	CC3048-WP	CC3048-VO	CC3048-RS	CC3048-MM	CC3048-TC	CC3048-MA	31 lbs
30" x 72"	CC3072-KO	CC3072-WP	CC3072-VO	CC3072-RS	CC3072-MM	CC3072-TC	CC3072-MA	46 lbs
36" x 36"	CC3636-KO	CC3636-WP	CC3636-VO	CC3636-RS	CC3636-MM	CC3636-TC	CC3636-MA	28 lbs
30" Round	CC30R-KO	CC30R-WP	CC30R-VO	CC30R-RS	CC30R-MM	CC30R-TC	CC30R-MA	15 lbs
36" Round	CC36R-KO	CC36R-WP	CC36R-VO	CC36R-RS	CC36R-MM	CC36R-TC	CC36R-MA	22 lbs
48" Round	CC48R-KO	CC48R-WP	CC48R-VO	CC48R-RS	CC48R-MM	CC48R-TC	CC48R-MA	39 lbs



Shown with: OD-CM-0001-SLV & OD-B30-4-STD

COMPCOR

OUTDOOR TABLE TOPS



Shown with: OD-CM-RN & B30-4-STD



Shown with: OD-CM-234 & OD-B30-4-STD



Shown with: OD-CM-0001-BLK & OD-B30DISC-4-STD



Groove thickness on
Knotty Oak, Vintage Oak & Weathered Pewter tops



Shown with: OD-CM-234 & OD-B30DISC-4-STD

Outdoor

Jubilee Outdoor Table & Bench Frame



Shown with: Jubilee table frame (JUB-3072) +
COMPCOR Weathered Pewter 30" x 72" &
Jubilee bench frame (JUB-1672) +
COMPCOR Weathered Pewter 16" x 72"



Shown with: Jubilee table frame (JUB-3072) +
COMPCOR Vintage Oak 30" x 72" &
Jubilee bench frame (JUB-1672) +
COMPCOR Vintage Oak 16" x 72"



Shown with: Jubilee table frame (JUB-3072) +
COMPCOR Knotty Oak 30" x 72" &
Jubilee bench frame (JUB-1672) +
COMPCOR Knotty Oak 16" x 72"



- 1-1/2" steel square tubing with 14 gauge 1/4" flat steel legs
- Exterior powder coating
- Bench frames are fully assembled
- Table frames ship KD to save on freight! Leg brackets get bolted onto top frame - simple assembly required
- Available in Weathered Pewter, Vintage Oak & Knotty Oak

30" x 72" COMPCOR Table Top on Jubilee Table Frame
JUB-3072 (must specify top selection)
16" x 72" COMPCOR Bench Top on Jubilee Bench Frame
JUB-1672 (must specify top selection)



Jubilee Outdoor Table & Bench Frame

DuraFinish Outdoor Table Base



Suggested base applications shown on pg. 12 - 13

- Specially coated (DURAFINISH) to withstand outdoor conditions
- Constructed of stamped steel for unparalleled strength & stability
 - Superior to cast iron table bases in that stamped steel will not fracture under heavier weights
- Easy two-piece assembly (tube/spider to base)
 - Oak Street uses a short bolt to screw into a welded anchor plate - a much improved method than competitors, which use a long rod that will torque & stretch when force is applied - making it permanently loose
- Spider is welded to the tube for added strength
 - Spider includes 1-3/4" opening to accommodate umbrellas | Spider dimensions: 11" x 11" - 15" diagonally
 - Oak Street's spiders are bigger than most competitor's spiders - providing additional strength & durability
- Standard height finishes at 30" with table top attached | Bar height finishes at 42" with table top attached

Description	Part #	Approx. Weight
22" x 22" cross base with 3" standard height labor saver tube	OD-B22-STD	16 lbs
22" x 22" cross base with 3" bar height labor saver tube	OD-B22-BAR	17 lbs
22" x 30" cross base with 3" standard height labor saver tube	OD-B2230-STD	23 lbs
22" x 30" cross base with 3" bar height labor saver tube	OD-B2230-BAR	24 lbs
30" x 30" cross base with 3" standard height labor saver tube	OD-B30-STD	24 lbs
30" x 30" cross base with 3" bar height labor saver tube	OD-B30-BAR	25 lbs
5" x 22" t-base with 3" standard height labor saver tube	OD-B522-STD	16 lbs
5" x 22" t-base with 3" bar height labor saver tube	OD-B522-BAR	17 lbs
18" disc base with 3" standard height labor saver tube	OD-B18DISC-STD	29 lbs
18" disc base with 3" bar height labor saver tube	OD-B18DISC-BAR	30 lbs
22" disc base with 3" standard height labor saver tube	OD-B22DISC-STD	39 lbs
22" disc base with 3" bar height labor saver tube	OD-B22DISC-BAR	40 lbs
22" x 22" cross base with 4" standard height labor saver tube	OD-B22-4-STD	19 lbs
22" x 22" cross base with 4" bar height labor saver tube	OD-B22-4-BAR	21 lbs
22" x 30" cross base with 4" standard height labor saver tube	OD-B2230-4-STD	26 lbs
22" x 30" cross base with 4" bar height labor saver tube	OD-B2230-4-BAR	28 lbs
30" x 30" cross base with 4" standard height labor saver tube	OD-B30-4-STD	27 lbs
30" x 30" cross base with 4" bar height labor saver tube	OD-B30-4-BAR	29 lbs
36" x 36" cross base with 4" standard height labor saver tube	OD-B36-4-STD	28 lbs
36" x 36" cross base with 4" bar height labor saver tube	OD-B36-4-BAR	30 lbs
5" x 22" t-base with 4" standard height labor saver tube	OD-B522-4-STD	18 lbs
5" x 22" t-base with 4" bar height labor saver tube	OD-B522-4-BAR	19 lbs
18" disc base with 4" standard height labor saver tube	OD-B18DISC-4-STD	32 lbs
18" disc base with 4" bar height labor saver tube	OD-B18DISC-4-BAR	34 lbs
22" disc base with 4" standard height labor saver tube	OD-B22DISC-4-STD	42 lbs
22" disc base with 4" bar height labor saver tube	OD-B22DISC-4-BAR	44 lbs
30" disc base with 4" standard height labor saver tube	OD-B30DISC-4-STD	65 lbs
30" disc base with 4" bar height labor saver tube	OD-B30DISC-4-BAR	67 lbs
22" disc umbrella base with 24" H x 1.75" D pipe & set screw	OD-B22DISC-UP	40 lbs
30" disc umbrella base with 24" H x 1.75" D pipe & set screw	OD-B30DISC-UP	60 lbs



IMPROVED tube design features an inner tube with tension bolt to prevent umbrellas from moving!



Umbrella Base
 • 24" H x 1-3/4" diameter tube with tension bolt
 • Available with 22" or 30" disc

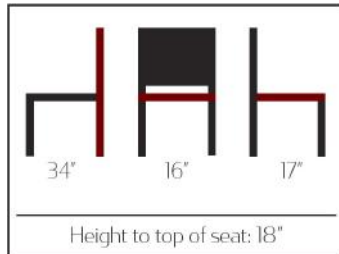
Rattan Outdoor Seating

Outdoor

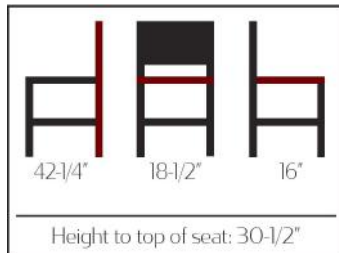
- Sturdy & lightweight 1.8mm aluminum frame
- Wrapped in weather-resistant synthetic rattan (black)
- Barstool features a stainless steel footring
- Chair ships assembled;
- Barstools ship unassembled - leg supports require simple assembly
- Stackable - Chair: Yes Barstool: No
- Non-marring glides

	Part #	Approx. Weight
Rattan chair	OD-CM-RN	16 lbs
Rattan barstool	OD-BM-RN	18 lbs

Rattan Chair



Rattan Barstool

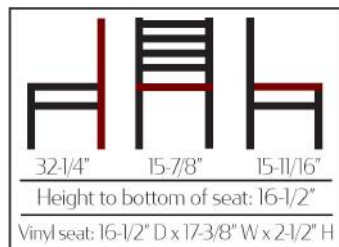


Ladderback Outdoor Seating

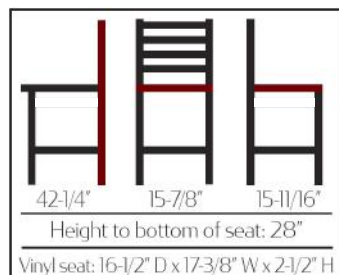
- Specially coated frame with additional exterior powder coat to withstand the elements
- Marine-grade black vinyl seat with exterior-grade plywood core and stainless steel staples
- 1.2mm frame; 1-1/4" steel tubing; 100% welded frame
- Seat ships unattached - simple seat attachment required

	Part #	Approx. Weight
Ladderback chair	OD-CM-234	15 lbs
Ladderback barstool	OD-BM-234	20 lbs

Outdoor Ladderback Chair



Outdoor Ladderback Barstool



Rattan / Ladderback Outdoor Seating

SMOKESTACK



Distressed White
OD-CM-0001-WHT

Black
OD-CM-0001-BLK

Silver
OD-CM-0001-SLV



Distressed White
OD-BM-0001-WHT

Black
OD-BM-0001-BLK

Silver
OD-BM-0001-SLV



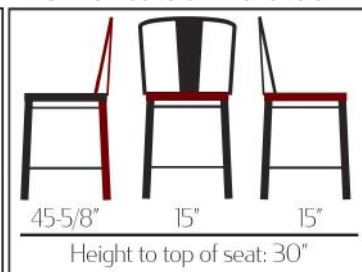
- 1.2mm pressed steel tubular construction
- Available in Distressed White (WHT), Black (BLK) or Silver (SLV) finishes
- Non-marring poly glides
- Stackable: Dining chair: Yes | Barstool: No

- Chairs ship assembled; Barstool's back ships unattached from frame - simple back attachment required
- Freight class: 250
- A great indoor option also!

Smokestack Chair



Smokestack Barstool



	Metal Seat Part #	Approx. Weight
Chair - Distressed White	OD-CM-0001-WHT	12 lbs
Chair - Silver	OD-CM-0001-SLV	12 lbs
Chair - Black	OD-CM-0001-BLK	12 lbs
Barstool - Distressed White	OD-BM-0001-WHT	15 lbs
Barstool - Silver	OD-BM-0001-SLV	15 lbs
Barstool - Black	OD-BM-0001-BLK	15 lbs

XL Brewhouse Outdoor Seating

Outdoor



Gloss Black
OD-CM-820-GBLK-XL



Matte Black
OD-CM-820-MBLK-XL



Silver
OD-CM-820-PNT-XL

XL Brewhouse
Chair

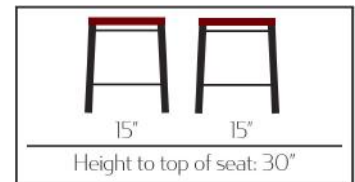


Matte Black
OD-BB-820-MBLK-XL



Silver
OD-BB-820-PNT-XL

XL Brewhouse
Backless Barstool



Matte Black
OD-BM-820-MBLK-XL



Silver
OD-BM-820-PNT-XL

XL Brewhouse
Barstool



- 1.2mm pressed steel tubular construction
- Available in Gloss Black (GBLK) *chair only*, Matte Black (MBLK) or Silver (PNT) finishes
- Non-marring poly glides
- Stackable: Dining chair: Yes | Backless Barstool: Yes | Barstool: No
- Chairs & backless barstools ship assembled; Barstool's back (BM series) ships unattached from frame - simple back attachment required
- Weights: Chair - 13 lbs | Backless Barstool - 14 lbs | Barstool - 15 lbs
- Freight class: 250
- A great indoor option also!

XL Brewhouse Outdoor Seating

Olympus Outdoor Seating



Camel Tan
OD-CH-725-CT



Cafe Brown
OD-CH-725-CB



Camel Tan
OD-BS-736-CT

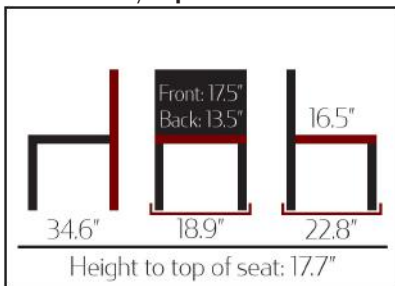


Cafe Brown
OD-BS-736-CB

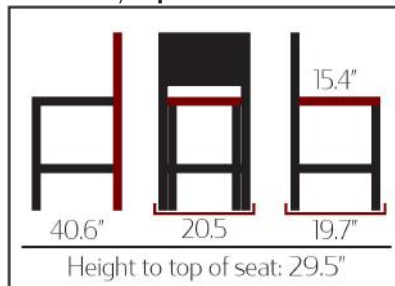


	Chair Part #	Weight	Barstool Part #	Weight
Camel Tan	OD-CH-725-CT	9 lbs	OD-BS-736-CT	10 lbs
Cafe Brown	OD-CH-725-CB	9 lbs	OD-BS-736-CB	10 lbs

Olympus Chair



Olympus Barstool



- All-weather (water & UV) resistant polypropylene resin for both indoor & outdoor use
- Classic rattan design, never unravels like traditional wicker
- Anti-slip mats at bottom of legs to ensure stability & prevent floor scratches
- Breathable seat design
- Stackable & space saving
- Easy care - wipe with cloth & water
- 265 lb weight capacity



Greige
OD-CH-727-GG



Cafe Brown
OD-CH-727-CB



Stackable for convenient storage



All Weather



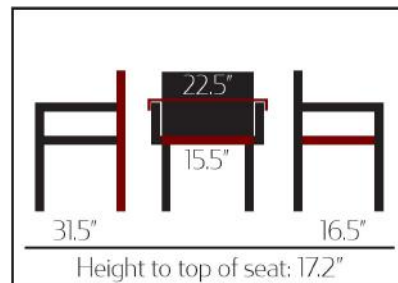
Easy care, wipe with cloth and water



Environment Friendly Materials

- All-weather (water & UV) resistant polypropylene resin for both indoor & outdoor use
- Classic rattan design, never unravels like traditional wicker
- Anti-slip mats at bottom of legs to ensure stability & prevent floor scratches
- Breathable seat design
- Stackable & space saving
- Easy care - wipe with cloth & water
- 265 lb weight capacity

	Part #	Approx. Weight
Greige	OD-CH-727-GG	11 lbs
Cafe Brown	OD-CH-727-CB	11 lbs



Teton Outdoor Seating



Greige
OD-CH-752-GG



White
OD-CH-752-WHT



Iron Gray
OD-CH-752-IG



Greige
OD-BS-711-GG



White
OD-BS-711-WHT

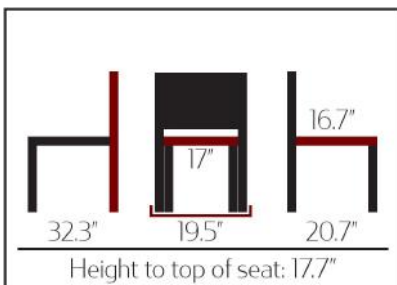


Iron Gray
OD-BS-711-IG

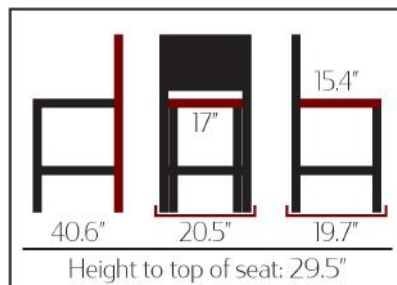
	Greige Part #	White Part #	Iron Gray Part #	Approx. Weight
Chair	OD-CH-752-GG	OD-CH-752-WHT	OD-CH-752-IG	8 lbs
Barstool	OD-BS-711-GG	OD-BS-711-WHT	OD-BS-711-IG	11 lbs



Teton Chair



Teton Barstool



- All-weather (water & UV) resistant polypropylene resin for both indoor & outdoor use
- Modern, elegant design
- Anti-slip mats at bottom of legs to ensure stability & prevent floor scratches
- Curved back offers great support
- Stackable & space saving
- Easy care - wipe with cloth & water
- 250 lb weight capacity



Tan
OD-CM-834-TAN



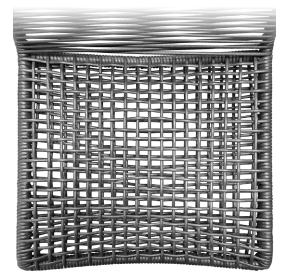
Black
OD-CM-834-BLK



Tan
OD-BM-834-TAN

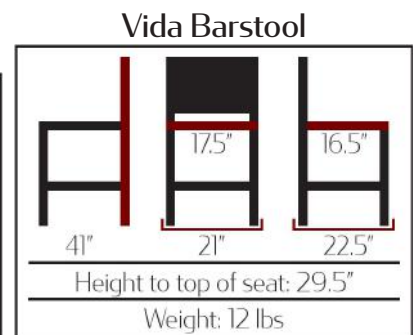
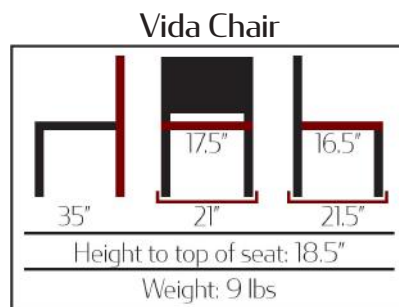


Black
OD-BM-834-BLK



	Black Part #	Tan Part #	Approx. Weight
Chair	OD-CM-834-BLK	OD-CM-834-TAN	9 lbs
Barstool	OD-BM-834-BLK	OD-BM-834-TAN	12 lbs

- 2.0mm galvanized steel frame - black exterior powder coated
- Round PE (polyethylene) rattan seat/back material
 - Better durability, higher bearing capacity & strength
 - 100% waterproof, UV resistant, low maintenance
 - Fishbone weave back; Double open square weave seat
- Stackable: Yes



Navy Outdoor Seating

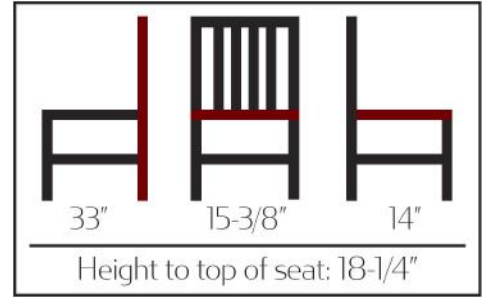


CM-252-ALM

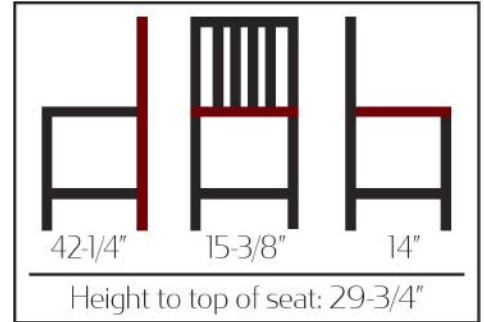


BM-252-ALM

Navy Chair



Navy Barstool



- Lightweight construction with modern line design
- 1.5mm 100% welded aluminum frame
- 1-1/8" tubular construction
- Premium, extended-life, non-marring poly glides
- Ships assembled
- **For indoor and outdoor use!**
- Chair weight: 10 lbs Barstool weight: 18 lbs

	Part #	Approx. Weight
Navy Chair	CM-252-ALM	10 lbs
Navy Barstool	BM-252-ALM	18 lbs

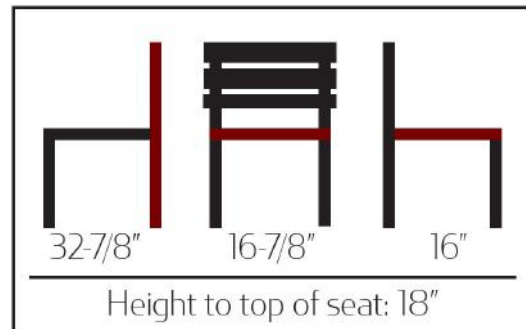


Part #: GL252

Slatback Outdoor Seating



OD-CM-330-BLK

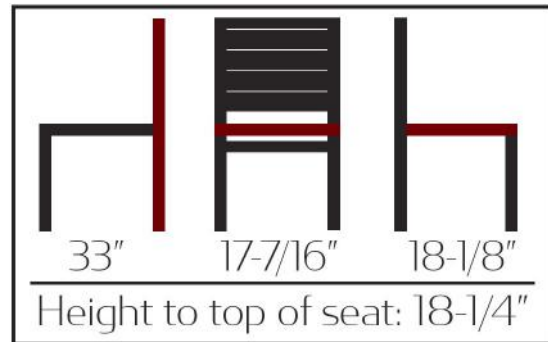


- Available in semi gloss black finish
- Features a lightweight tubular pressed steel construction
- Features wide stance for added stability outdoors
- Stackable: Yes

Description	Part #	Approx. Weight
Slatback Chair	OD-CM-330-BLK	16 lbs



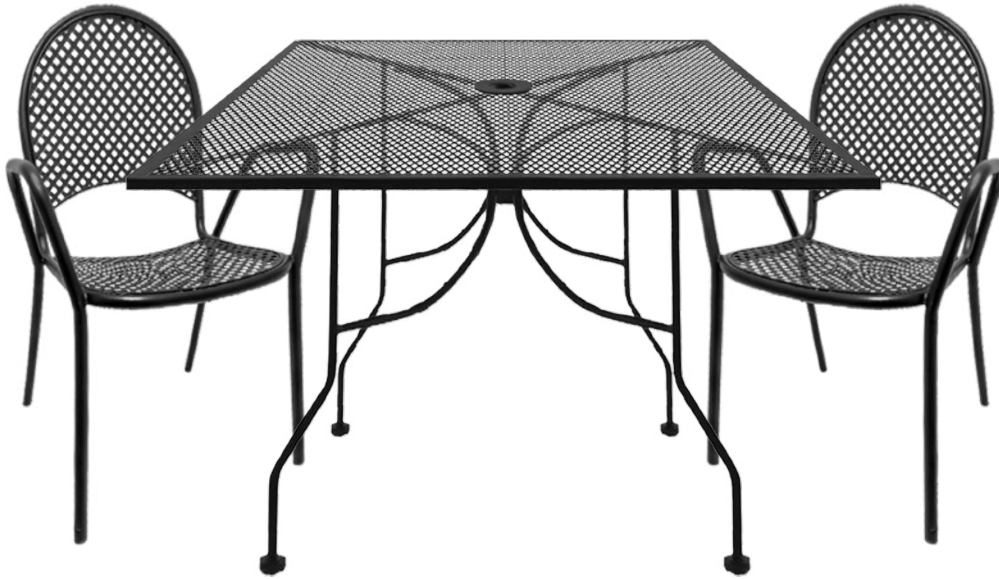
OD-CM-TK



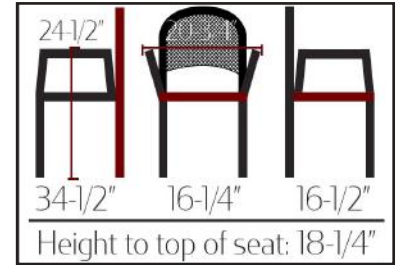
	Gray Part #	Approx. Weight
Teak Chair	OD-CM-TK-G	16 lbs
24" x 30" Standard Height Table	OD-TK2430-G	33 lbs
30" x 30" Standard Height Table	OD-TK3030-G	36 lbs
30" x 48" Standard Height Table	OD-TK3048-G	47 lbs
36" x 36" Standard Height Table	OD-TK3636-G	44 lbs

- Silver e-coated steel frame with exterior powder coating
- 1 piece upper steel frame for rigidity
- Table ships KD
- Chair ships assembled
- Non-marring nylon glides
- Durable, elegant & weather-resistant teak plank top
- Planks are constructed of highly durable, weather-resistant, low-maintenance synthetic teak

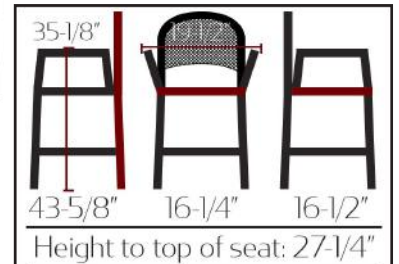
Diamondback Outdoor Furniture



Diamondback Chair



Diamondback Barstool



- Exterior powder coat finish to withstand all outdoor weather conditions
- Diamondback pattern on table top, armchair/barstool seat & back
- Reinforced 2" umbrella hole
- Chair/Barstool features pressed steel tubular construction for lightweight durability
- Table base features solid steel construction (not tubular) for added stability in outdoor conditions
- Chair/Barstool ship assembled
- Table top & base ship unassembled - simple assembly required
- Table available in both standard & bar height
- Stackable - Armchair: Yes Barstool: No

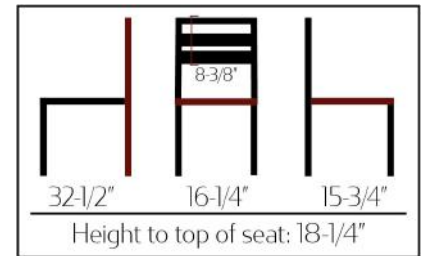
Diamondback series glides
Part #: GL-OD105



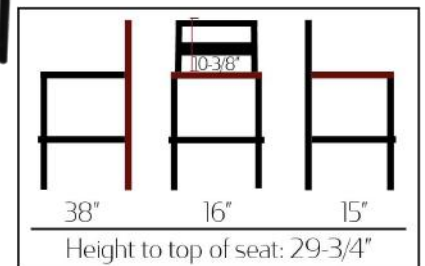
	Part #	Approx. Weight
Diamondback Armchair	OD105-CHAIR	14 lbs
Diamondback Barstool	OD105-BAR	17 lbs
24" x 30" - Standard Height Table	OD2430-STD	44 lbs
24" x 30" - Bar Height Table	OD2430-BAR	78 lbs
30" x 30" - Standard Height Table	OD3030-STD	45 lbs
30" x 30" - Bar Height Table	OD3030-BAR	81 lbs
30" x 48" - Standard Height Table	OD3048-STD	60 lbs
30" x 48" - Bar Height Table	OD3048-BAR	91 lbs
36" x 36" - Standard Height Table	OD3636-STD	55 lbs
36" x 36" - Bar Height Table	OD3636-BAR	86 lbs
30" Round - Standard Height Table	OD30R-STD	40 lbs
30" Round - Bar Height Table	OD30R-BAR	81 lbs
36" Round - Standard Height Table	OD36R-STD	50 lbs
36" Round - Bar Height Table	OD36R-BAR	86 lbs



Boardwalk Chair



Boardwalk Barstool



- Roll formed steel top with black finish
- Reinforced 2" umbrella hole
- Chair/Barstool features pressed steel tubular construction for lightweight durability
- Table base features solid steel construction (not tubular) for added stability in outdoor conditions
- Chair/Barstool ship assembled
- Table top & base ship unassembled - simple assembly required
- Table available in both standard & bar height
- Stackable: Yes

	Part #	Approx. Weight
Boardwalk Chair	OD-CM-6079	16 lbs
Boardwalk Barstool	OD-BM-6079	20 lbs
24" x 30" - Standard Height Table	OB2430-STD	54 lbs
24" x 30" - Bar Height Table	OB2430-BAR	88 lbs
30" x 30" - Standard Height Table	OB3030-STD	55 lbs
30" x 30" - Bar Height Table	OB3030-BAR	91 lbs
30" x 48" - Standard Height Table	OB3048-STD	70 lbs
30" x 48" - Bar Height Table	OB3048-BAR	101 lbs
36" x 36" - Standard Height Table	OB3636-STD	65 lbs
36" x 36" - Bar Height Table	OB3636-BAR	96 lbs
30" Round - Standard Height Table	OB30R-STD	50 lbs
30" Round - Bar Height Table	OB30R-BAR	91 lbs
36" Round - Standard Height Table	OB36R-STD	60 lbs
36" Round - Bar Height Table	OB36R-BAR	96 lbs

Wait Stations

*** Quick Ship ***



M8220



M8210



M8220



M8210



M8220



M8210

- Available in Cherry, Black or Oak finishes
- M8210 dimensions: 24" W x 24-1/4" D x 39-1/2" H
- M8220 dimensions: 48" W x 24-1/2" D x 39-1/2" H
- 4" backsplash on back in addition to overall height listed above (43-1/2" overall height)
- Adjustable shelf
- For product safety, Oak Street Manufacturing does not recommend shipping this item via ground shipment
- Waiter/Waitress Stations can be ordered unassembled or assembled
- Freight class: 250 - assembled or unassembled for both M8210 & M8220

All spec sheets are available in AutoQuotes or online at www.oakstreetmfg.com

Color - Description	M8210 - 24" Wait Station Part #	Approx. Weight	M8220 - 48" Wait Station Part #	Approx. Weight
Black - Unassembled	M8210-BLK-U	105 lbs	M8220-BLK-U	195 lbs
Black - Assembled	M8210-BLK-A	105 lbs	M8220-BLK-A	195 lbs
Cherry - Unassembled	M8210-CH-U	105 lbs	M8220-CH-U	195 lbs
Cherry - Assembled	M8210-CH-A	105 lbs	M8220-CH-A	195 lbs
Oak - Unassembled	M8210-OAK-U	105 lbs	M8220-OAK-U	195 lbs
Oak - Assembled	M8210-OAK-A	105 lbs	M8220-OAK-A	195 lbs

Host/Hostess Stations

*** Quick Ship ***

Casework



- Available in Black, Cherry or Oak finishes
- M8810 dimensions: 24-1/2" W x 16-3/4" D x 46-1/4" H
- Locking casters
- Adjustable shelf
- Host/Hostess Stations can be ordered unassembled or assembled
 - For product safety, Oak Street Manufacturing does not recommend shipping this item via ground shipment
- Freight class: 250 - assembled or unassembled

All spec sheets are available in AutoQuotes or online at www.oakstreetmfg.com



Color - Description	M8810 - Host/Hostess Station Part #	Approx. Weight
Black - Unassembled	M8810-BLK-U	70 lbs
Black - Assembled	M8810-BLK-A	70 lbs
Cherry - Unassembled	M8810-CH-U	70 lbs
Cherry - Assembled	M8810-CH-A	70 lbs
Oak - Unassembled	M8810-OAK-U	70 lbs
Oak - Assembled	M8810-OAK-A	70 lbs

Host/Hostess Stations

Waste & Recycling Receptacles

*** Quick Ship ***

- M8510 available in Cherry or Black
 - M8510 dimensions: 23-5/8" W x 21-7/8" D x 45" H - 8" diameter opening
- M8520 available in Cherry, Black, Oak or Walnut
 - M8520 dimensions: 22" W x 22" D x 44" H with 3-3/4" backsplash
- M8530 available in Black
 - M8530 dimensions: 44" W x 22" D x 44" H with 3-3/4" backsplash
- M8540, M8550 & M8560 available in Black
 - Dimensions: 22-1/8" W x 22-1/8" D x 40" H - 73 lbs
 - M8560 opening: 7-7/8" x 7-7/8"
 - M8550 opening: 3-1/8" x 18"
 - M8540 opening: 3-1/8" x 18" with 7" diameter center circle
- Requires 25 gallon trash liner: DPI MD 6009 (sold separately)
- All waste receptacles feature 18" wide interior
- For product safety, Oak Street Manufacturing does not recommend shipping this item via ground shipment
- Waste receptacles can be ordered unassembled or assembled
- M8520 & M8530 features swing top door(s) with "THANK YOU" message, swinging access door(s), & convenient tray shelf

M8530 - Waste Receptacle



DPI MD 6009 - Liner



M8510 - Waste Receptacle



M8520 - Waste Receptacle



Recycling Receptacles



FREIGHT INFORMATION

Please utilize the following freight information as a guideline for the freight process when ordering with Oak Street Manufacturing. Should any issues or concerns arise, please contact your Oak Street Manufacturing Account Manager by email or phone at (877) 465-4344.

Delivery

If a delivery date is not scheduled for your order, you must accept the shipment when the delivery truck arrives. Failure to accept the shipment will result in additional storage, re-consignment, and/or return shipping fees that will be billed back to you.

Liftgate Service

- If liftgate service is needed, you must specify it at time of order.
- If liftgate service is requested, you will be charged for liftgate service regardless if it's utilized or not.

HOW TO PROPERLY ACCEPT FREIGHT SHIPMENTS

Rights & Responsibilities

- It is your right & responsibility to inspect your order at time of delivery.
- It is your right & responsibility to note & describe damage on the BOL (Bill of Lading).
- It is your right & responsibility to also require the driver to sign the BOL that indicates damage.
- It is your right to refuse an entire shipment if damage is discovered (if desired).
- It is your responsibility to take care of all trash items associated with your shipment, e.g. pallets, banding, shrink wrap, etc. It is not the driver's responsibility to take care of the trash items & does not have to take those items with them.
- It is your responsibility to unload your shipment from the end of the driver's truck. It is the driver's responsibility to get your shipment to the end of the truck. It is not the responsibility of the driver to take your shipment off the truck.

Inspecting & Documenting Damage

It is important, in the event of an issue, to carefully follow the instructions below to ensure your shipping claim can be resolved:

All freight companies are required to allow you up to 15-30 minutes to inspect your delivery for damage or missing parts. This means you should make a complete inspection of your shipment to check for dents, cracks or broken parts. We highly recommend opening each box regardless of how it looks to inspect for damage that may not be obvious.

In the event your order is damaged (major or minor), it should be noted by writing the word "DAMAGED" on both the driver copy and your copy of the BOL (Bill of Lading), along with a description of the damage. Items missing from your order need to be written down as "ORDER INCOMPLETE".

It is critical that the driver also sign & initial both copies of the BOL if any damage is present. By noting damage on the driver's copy, this ensures there is written proof that damage was noted at the time of shipping. By having the driver sign your copy, this ensures you have proof that the driver signed in your presence.

Oak Street Manufacturing will assist as best we can in damage claims, but cannot be liable for any shipments that were accepted without a notation of damage on the shipping receipt. Be sure to keep a copy of the receipt, as this will be vital in processing a shipping claim. Photographs of the damage are extremely helpful as well to ensure successful processing of your claim. Any and all information regarding shipping damage should be sent immediately to your Oak Street Manufacturing Account Manager so we may assist you.

Failure to properly report damage will release Oak Street Manufacturing from all liability regarding shipping damage, so please document & inform us as soon as possible by telephone and/or email.

Terms & Conditions

TERMS & CONDITIONS

Orders will not be scheduled or entered into production until an account has been established or made current. Accounts past due are subject to finance charges of 1.5% per month (18% annually) or the maximum rate allowed by law. Credit terms are subject to change without notice. Customers will be liable for any costs incurred if the account is placed for collection. Returned checks are subject to a \$25 returned check charge. As an alternative to opening a credit account, the following payment terms are available:

- Credit card - MasterCard, Visa, American Express or Discover
- Wire transfers
- ACH payments
- Cash in advance - full payment for product & freight before shipping orders
- Proforma - a 50% deposit is required to begin production with the remaining balance due prior to the shipment of the order.

Oak Street Manufacturing operates on a made-to-order basis, therefore all credit requirements must be satisfied before the order can be scheduled into production.

NEW ACCOUNTS

To apply for an open account, complete the Oak Street Manufacturing credit application, found online at www.oakstreetmfg.com. All accounts must provide tax exempt documentation for the resale of restaurant furniture to receive dealer pricing or ship orders.

PRICING

All prices are subject to change without notice. All prices are in US dollars.

ESTIMATES & QUOTES

All estimates & quotes are good for 30 days from quote date unless otherwise noted.

PURCHASE ORDERS

All purchase orders must be submitted in writing via fax, mail or email. Each purchase order must be on company letterhead and bear the buyer's name. To avoid duplication of a faxed order, do not mail a confirming copy. A verification of approval is necessary. Dealers are responsible for providing the acknowledgment, signing & returning before production begins. Please note that the estimated lead time begins after all approvals are received.

DEPOSITS & PREPAYMENTS

For customers with open terms, all custom purchase orders over \$5,000 will require a 50% deposit. For prepay customers, all customer product purchase orders will require prepayment in full. Order will process on receipt of deposit or payment. Any custom orders placed on hold during the production process will result in additional lead time.

BILLING

Invoices will be emailed to customers within 48 hours of shipment unless otherwise requested.

MINIMUM ORDER FEES

All custom laminate table top orders in quantities less than 4 will be charged a small order fee. All solid wood table top orders in quantities less than 5 will be charged a small order fee.

SAMPLES

Samples are available for a 50% discount + freight cost for applicable warehouse locations.

MATCHING ORDERS

When matching a previous shipment, detailed information must be stated on the new purchase order. Please include a customer's original purchase order, Oak Street's original invoice number, sales order number & approximate ship date. Some necessary materials may no longer be available. If matching a previous order is impossible due to unavailable materials, the customer will be notified.

PRODUCT SPECIFICATIONS

Designs & specifications are subject to change without notice. All weights are approximate. Dimension & drawings are nominal. Standard colors & finishes are subject to change without notice.

IMAGE DISCLAIMER

Oak Street Manufacturing does our best to represent all products, including product colors, accurately, but the color calibration of computer monitors, printers, etc., can vary considerably. The images used in this catalog and on our website, social media pages, etc. are a close representation of our actual products & their colors. Due to photographic reproduction limitations, exact color fidelity is difficult to obtain. Actual samples should always be viewed before making a final decision, especially if color accuracy or matching is key to your decision.

ORDER CHANGES

Should circumstances require a change or cancellation of an order during production, a substantial service charge will be levied according to the order status at the time.

CANCELLATIONS

Custom orders cannot be canceled once a purchase order is received & materials have been ordered.

CALIFORNIA PROPOSITION 65

California's Proposition 65 entitles California consumers to special warnings for certain products that contain chemicals above certain threshold levels.

The general Proposition 65 notice is as follows: WARNING: This product contains chemicals known to the State of California to cause cancer and birth defects or other reproductive harm.

Proposition 65 notice for wood products is as follows: WARNING: Drilling, sawing, sanding or machining wood products generates wood dust, a substance known to the State of California to cause cancer. Use a respirator or other safeguards to avoid inhaling wood dust.

STORAGE FEES

Completed orders that require a delay in shipment of 7 business days or more will be subject to a storage fee of up to 10% of the order total per week.

SHORTAGE OF GOODS

The customer must note any shortage of cartons or products on the delivery receipt BEFORE accepting delivery from the freight company. Oak Street Manufacturing affirms all products are inspected & the number of pieces being shipped is noted on the freight Bill of Lading. If the customer does not inspect & note any shortages on the delivery receipt, Oak Street Manufacturing is not responsible for replacing shorted items until a freight claim has been issued & approved by the freight company. If the customer needs items immediately, the items will be replaced at the customer's expense. Oak Street Manufacturing will reimburse those expenses when the freight claim is approved.

RETURNED GOODS

No merchandise can be returned without Oak Street Manufacturing's return authorization. If return authorization is granted, the authorization number must be shown on the outside of the carton. A copy of the related invoice must be included & returned within 30 days of the date of the related invoice. Return authorizations will not be issued after 30 days from the original date of invoice. Merchandise must be shipped prepaid in new & unused condition, not damaged & in the original carton or packaging. All authorized returns are subject to a 25% restocking fee. Customer deductions from the related invoice will not be honored & those amounts will be considered past due. Credit memos will be mailed or faxed & can be deducted from a future invoice. Return authorization numbers expire 30 days after being issued.

Terms & Conditions

BACKORDERS

Oak Street Manufacturing will notify customers of backordered items. Customers will have the option to cancel backordered items if they will delay the shipping of an in-house order. If customers choose to have items ship upon arrival, the items will be shipped at customer's expense.

OUTDOOR USE

All products intended for indoor use only unless specifically labeled as outdoor furniture, granite tops or DuraFinish table bases. Placement of indoor furniture outdoors nullifies all warranties.

TRACKING SHIPMENTS

To track shipments, contact your Oak Street Manufacturing Account Manager for tracking numbers, freight company telephone number & website.

PREFERRED CARRIERS

Oak Street Manufacturing's preferred carriers are: FedEx Ground, Midwest Motor Express, YRC Freight, NM Transfer, R&L Carriers, Estes Express, Old Dominion, Panama Transfer & USF.

FREIGHT CLAIMS

The recipient has the right to inspect all shipments before signing any bill of lading. In the event an order arrives damaged, incomplete or overstated, the customer is required to make the appropriate notations on the delivery receipt BEFORE the bill of lading is signed. Please note all boxes leave Oak Street damaged-free. Products in boxes with damage are re-boxed. Report any product or quantity discrepancies to the carrier and to Oak Street Manufacturing immediately and note issue of bill of lading to allow for inspection and prompt issue resolution. When freight claim issues arise with a customer's designated carriers, the customer is responsible for filing freight claims. In the case of concealed damages, the customer is responsible for contacting either the carrier upon discovery of the damage or shortage of goods. Oak Street Manufacturing will not be held responsible for any concealed damage claims.

FREIGHT

Due to a large volume of outbound freight, Oak Street Manufacturing has been able to negotiate outstanding freight programs with our primary LTL AND FULL TRUCK LOAD freight carriers. Freight will be prepaid and added unless the dealer specifies differently. The customer is responsible for providing detailed and correct destination shipping information. Additional charges due to incorrect or insufficient shipping information will be billed to the customer. Third party billing and drop shipping is available upon request. Please have personnel on hand to receive shipments. Drivers are not obligated to assist in the unloading of product. It is the driver's responsible to get the freight to the rear of the trailer only. Inside or life gate delivery is not included but available upon request FOR AN ADDITIONAL CHARGE. To ensure the best freight rates and shipping safety, some items ship with simple assembly required. Oak Street Manufacturing will schedule pick-ups according to the manufacturing schedule and customer delivery needs, but is not responsible for freight estimated transit times. Guaranteed delivery dates are available for a charge. Freight quotes are estimates only based on fuel surcharges and discounts on the date of the estimate. Oak Street Manufacturing will determine the best freight call to ship all products. Will call pick-ups may be made at ANY Oak Street Manufacturing FACILITY - Please clearly note WILL CALL on the purchase order. The customer will be notified once the shipment is available.

SCHEDULED DELIVERY

Ship date estimates are shown on all sales order acknowledgments. Our best efforts are made to schedule each order based on the customer's requirements. Shipment of an order may be delayed if credit terms have not been satisfied or the account is not current. The scheduled ship date is subject to change due to weather, strikes, accidents, material availability and other factors beyond Oak Street Manufacturing's control. Guaranteed delivery dates available for additional freight charge.

PRINTED MATERIAL

Oak Street Manufacturing is not responsible for typographical or printing errors in our catalog. All such errors are subject to correction. Due to the catalog printing process, colors shown may not be exact.

COLLECTION COSTS

By placing a purchase order with Oak Street Manufacturing, all customers agree to become responsible for any collection costs associated with invoices that go past payment terms.

WARRANTY

All Oak Street Manufacturing products are warranted for indoor use with the exception of outdoor furniture and granite table tops when paired with Oak Street outdoor bases. Oak Street Manufacturing warrants all of its products and their components shall be free of defects in material and workmanship for 12 months from the date of purchase with the exception of swivels and vinyls (see below). If any of these products is found to be defective in material or workmanship during the first 12 months after original purchase date and if the product or component has been properly installed and maintained by purchaser, Oak Street Manufacturing will, at its option, replace or repair the product or component only without charge. Any off-site warranty repair must be pre-approved by Oak Street BEFORE repair work begins in order to receive reimbursement. This warranty policy does not include installation or freight of warranty items. This warranty does not apply to modified products or to those damaged by accident, abuse, neglect or misuse. When customers supplied its own vinyl or fabrics, or chooses unfinished products, there is no Oak Street Manufacturing warranty. The extent of Oak Street Manufacturing's liability is limited to the purchase price of the product sold. In no event will Oak Street Manufacturing be liable for injury, loss or damage, whether direct, consequential or incidental, to persons or property arising out of the purchaser's care or neglect. This warranty does not cover any items which have been in storage, freight damaged, improperly cared for or abused, neglected or misused.

SWIVEL WARRANTY

Oak Street Manufacturing warrants import swivels for 90 days from the date of purchase. Domestic swivels are warranted for one year from date of purchase. If swivels are found to be defective in material or workmanship during their warranted period after original purchase date and if the product or component has been properly installed and maintained by purchaser, Oak Street Manufacturing will, at its option, replace the swivel only without charge. This warranty policy does not include installation or freight of warranty items. This warranty does not apply to modified products or to those damaged by accident, abuse, neglect or misuse.

VINYL & UPHOLSTERY WARRANTY

Oak Street Manufacturing's warranty covers only manufacturer's flaws in vinyl and upholstery. Oak Street Manufacturing's warranty does not cover damage or decreased performance caused by punctures, tears, excessive wear or color loss of any kind. Oak Street Manufacturing disclaims all liability for damage due to fabrication, installation or other labor related costs. When a customer supplies its own vinyl or upholstery, there is no warranty by Oak Street Manufacturing.

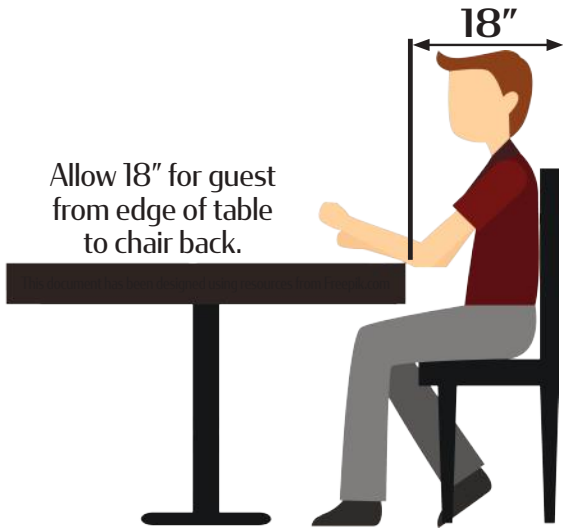
SOLID WOOD, E*WOOD & PROWOOD TABLE TOP WARRANTY

Finished products are warranted only to the original customer and only against defects in workmanship for a period of one year from the date of invoice. Oak Street Manufacturing's liability and the customer's sole remedy for any breach of such warranty, breach of contract or negligence regarding a product is limited to the purchase price of the product. We are not responsible for any incidental or consequential damages incurred as a result of defective product such as re-installation costs or breach of contract, nor are we responsible for special or punitive damages. This warranty does not apply to any unfinished products, mineral oil products, or customer's own materials used in manufacturing product. We provide no warranty for such products. Placement of glass sheets or vinyl coverings over the tabletop surface will also void the warranty. Except where noted, our products are not intended for outdoor use and no warranty is made with respect to goods used outdoors which are not intended for use outdoors. Even where our products are designed for outdoor use, our warranty is limited solely to defects in workmanship for a period of one year from the date of invoice. We do not warrant or represent that the products satisfy and fire code, other fire standard, or any other standard. This warranty does not cover any items which has been in storage, freight damaged, improperly cared for or abused, neglected or misused, nor does it cover any item repaired by someone other than one of our employees unless previously authorized by us in writing. We have the option of repairing or replacing any defective item. All claims under the above warranty must be made not later than the earlier of (A) a reasonable period after discovery of any condition that may lead to a claim (not to exceed 30 days) or (B) the date which is one year from the date of our invoice and for the product. It is the customer/user's responsibility to maintain a 30% humidity level to accommodate Solid Wood, E*Wood and ProWood tops.

Oak Street Manufacturing's written warranties above are in lieu of all other expressed or implied warranties and we expressly disclaim any and all implied warranties of merchantability or fitness for a particular purpose. There are no warranties which extend beyond the description of the product list.

Recommended Chair & Table Setup

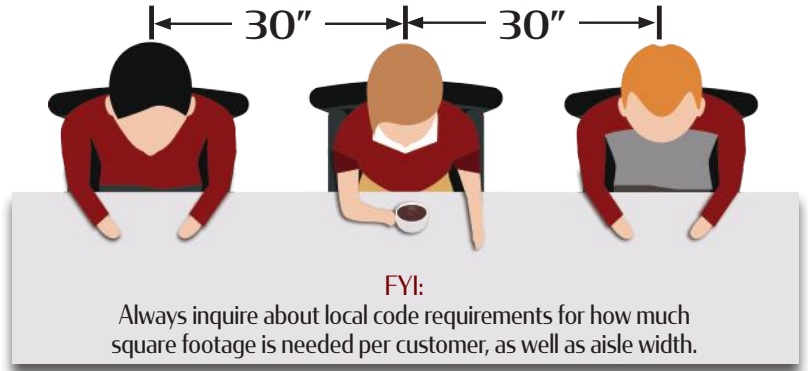
Operation Type	Space Per Seat (Sq. Ft.)
School Lunchroom / Cafeteria	9 - 12
Banquet Room	10 - 11
Table Service - Minimum	11 - 14
Business or College Cafeteria	12 - 15
Table Service - Maximum (Hotels, Clubs, etc.)	15 - 18
Commercial Cafeteria	16 - 18
Counter Service Restaurant	18 - 20



Lateral Seating:

Allow between 24" - 30" between guests.

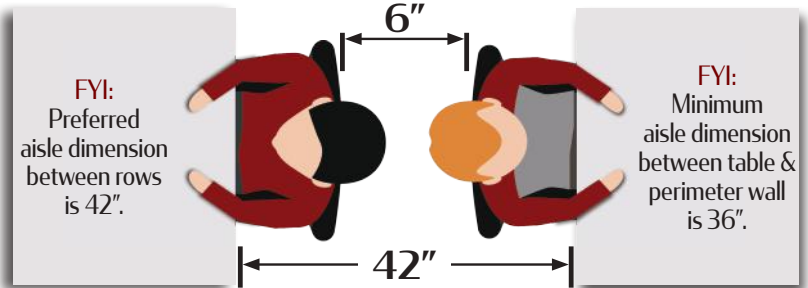
NOTE: Armchairs & oversized chairs may require additional space between guests.



Square Tables (Chairs Back to Back):

Allow 42" between tables.

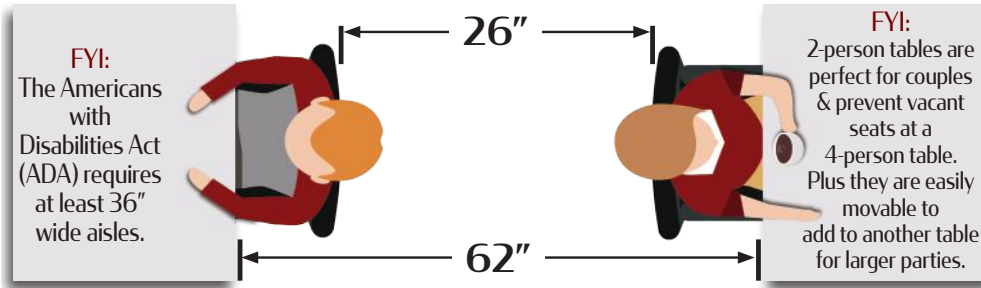
This provides approximately 6" for guests to push out.



Square Tables (Chairs Back to Back - with Service Aisle):

Allow 62" between tables.

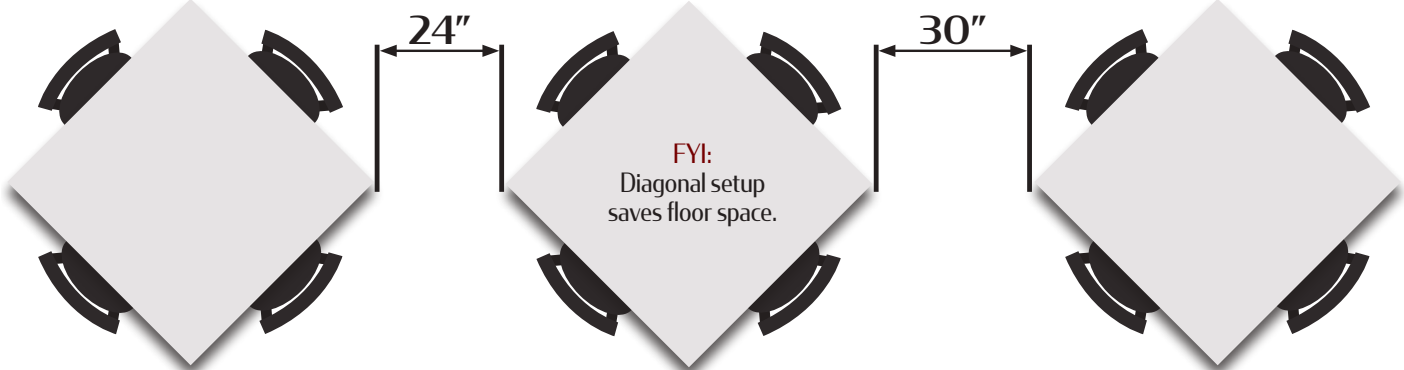
This provides approximately 26" for service aisle.



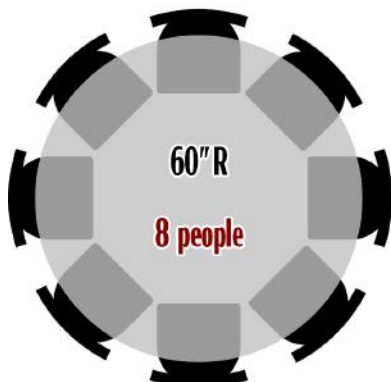
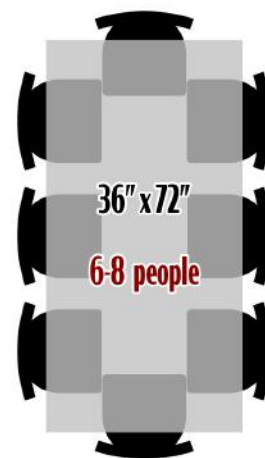
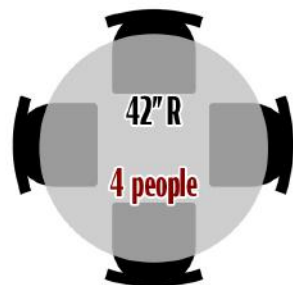
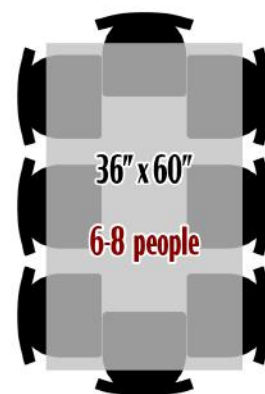
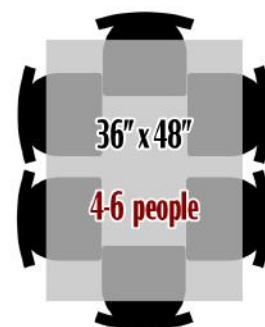
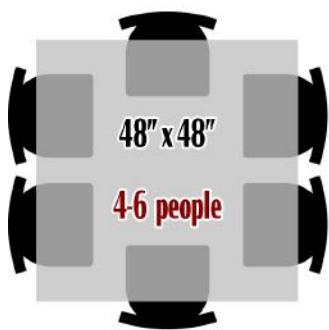
Square Tables (Diagonal Setup):

Allow 24" between table corners for customer access.

Allow 30" between table corners for customer access & narrow service aisle.



Seating Capacity Per Table Size



ADA Rules & Guidelines



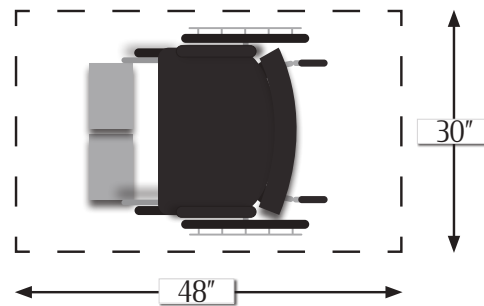
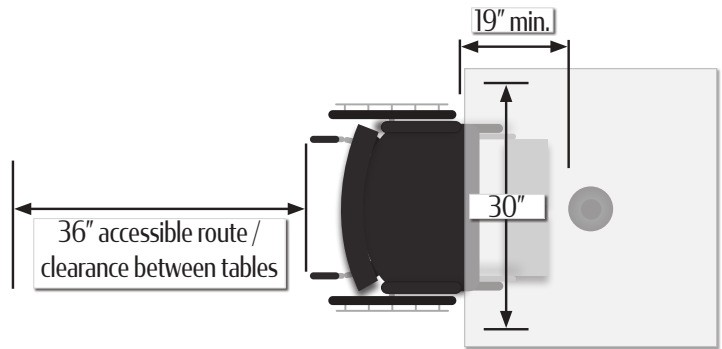
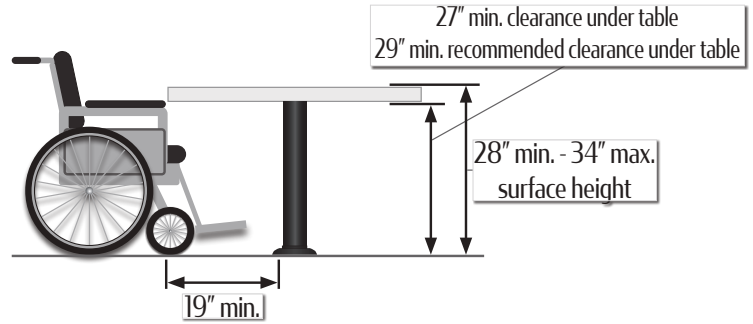
The Americans with Disabilities Act is a Federal civil rights law that prohibits the exclusion of people with disabilities from everyday activities, such as enjoying a meal at a restaurant.

Establishment Requirements

- 5% of all tables (dining, banquet and bar), or at least 1 (if less than 20 tables), must be wheelchair accessible.
NOTE: If you have a bar or outdoor area in your restaurant, it must be counted separately, in the same way.
- If it is not readily achievable to provide the minimal number of accessible tables in all areas where fixed tables are provided, then services must be provided in another accessible location.
NOTE: Alternative locations must be available for all customers and not just people with disabilities. It is illegal to segregate people with disabilities in one area by designating it as an accessible area to be used only by people with disabilities.

ADA compliant tables must meet the following criteria:

- A surface height of no less than 28" and no more than 34" above the floor.
- A minimum knee clearance of 27" (preferred knee clearance is 29" to accommodate larger electric wheelchairs) between the floor and the underside of the table.
- A clear floor area of 30" x 48" is provided at each accessible seating location.
- Knee clearance extends at least 19" under the table.



Oak Street Manufacturing has a variety of high-quality table base options to ensure your ADA compliance.

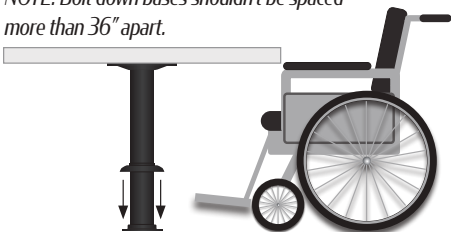
Bolt down table bases, cantilever wall mount table bases and T-bases are the best options.

These table bases offer a small footprint and allow you to meet ADA compliance without using excessively large table tops.

Bolt down table bases work well when you don't want to have a table against a wall and want the flexibility to switch between using chairs or making space for wheelchair accessibility.

Bolt down table bases have a small plate welded to the bottom of the tube, which is anchored to the floor and covered with a small dust cover. Bolt down bases have a footprint of approximately 8" - 11" in diameter.

NOTE: Bolt down bases shouldn't be spaced more than 36" apart.



Cantilever wall mount table bases are a great option because they use little to no floor space (depending on the size).

Our 21" Cantilever wall mount table base (Part No.: CANTILEVER-21) accommodates table sizes up to 30".

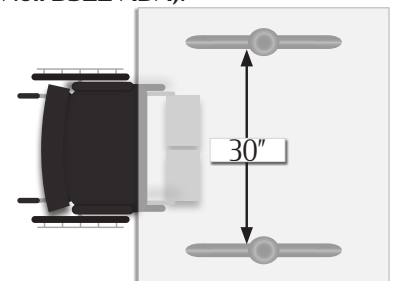
Our 27.5" Cantilever wall mount table base* (Part No.: CANTILEVER-27.5) accommodates table sizes 30" to 48" without the use of a pin leg or 48"+, but requires installing a pin leg (SSB-PIN).

* - Requires special wall construction.

T-Bases use little space and are simple to install. Our T-Bases are constructed of stamped steel for unparalleled strength and stability.

IMPORTANT: Ensure your table size can accommodate a minimum floor space of 30" between the two T-Bases to maintain ADA compliance.

ADA compliant 5" x 22" T-Bases available with 3" ADA standard height tube (Part No.: B522-ADA).



Laminate Care Instructions

CLEANING TIPS

Please see notes of caution below before attempting cleaning

1. To clean the laminate table top surface, use a damp cloth or sponge & a mild soap or detergent. Rinse thoroughly with warm water & wipe dry
2. Difficult stains, such as coffee or tea can be removed using a mild household cleaner/detergent & a soft bristled brush, repeating as necessary.
3. If a stain persists, use a paste of baking soda & water - apply with a soft bristled brush. Light scrubbing for 10 to 20 strokes should remove most stains. Although baking soda is a low abrasive, excessive scrubbing or exerting too much force could damage the decorative surface, especially if it has a gloss finish.
4. Stubborn stains that resist any of the above cleaning methods may require the use of undiluted household bleach or nail polish remover. Apply the bleach or nail polish remover to the stain & let stand no longer than 2 minutes. Rinse thoroughly with warm water & wipe dry. This step may be repeated if the stain appears to be going away & the color of the laminate has not been affected. **WARNING:** Prolonged exposure of the laminate surface to bleach will cause discoloration.
5. Hot pans & heat-producing appliances (such as electric skillets), when set directly upon countertops, can mar the product's beauty. Always use a heat shield, hot pad or trivet.

RECOMMENDED CLEANERS

- Windex®
- Glass Plus®
- Fantastik®
- Mr. Clean®
- Formula 409®
- Isopropyl Alcohol (Isopropanol)

DAMAGING CLEANERS

Cleaners that can cause damage to the laminate surface include, but are not limited to:

- Hydrochloric Acid
- Muriatic Acid
- Hydrogen Chloride
- Sulfuric Acid
- Oleic Acid
- Oil of Vitriol
- Oleum
- Hydrofluoric Acid
- Rust Remover
- Phosphoric Acid
- Sodium Hydroxide
- Caustic Soda
- Caustic Lye
- Soda Lye
- Pumice (abrasive)

NOTES OF CAUTION

1. Prolonged exposure of the laminate surface to acetone or bleach will cause discoloration. Always rinse laminate surface after cleaning. Failure to rinse after cleaning can cause damage, even if only a small amount of cleaning solution remains on the surface. A dry residue may be invisible, however moisture from cups or drinks can reactivate it and result in permanently etched scars or stains over time.
2. Acidic or abrasive cleaners can damage laminate surfaces – do not use them.
3. Drain cleaners containing lye will permanently damage the laminate surface. If you spill drain cleaner, wipe it up immediately and rinse several times with water.
4. Hair, textile and food dyes can cause permanent stains. If dye is spilled, wipe up immediately with dish washing detergent or an all-purpose cleaner.
5. Never place pots or dishes directly from the oven or burner on an unprotected laminate surface; such extreme heat can cause cracking or blistering.
6. Do not work with oven cleaners on an unprotected laminate top. Wipe spills away promptly and rinse several times with water.
7. Rust removers contain harsh chemicals which will quickly cause permanent damage. If a spill occurs, wipe off all residue immediately, wash thoroughly with soapy water and rinse several times.
8. Steel wool and other abrasive pads will damage the laminate surface. Do not use them for cleaning and do not store steel wool pads on your laminate; the metal can rust and leave stains.
9. Toilet bowl cleaners contain harsh chemicals that can cause permanent damage. If spills occur, wipe up immediately, wash the surface with soapy water and rinse several times.
10. Remember, sharp objects can damage the surface of any laminate: marring its beauty and lowering wear and stain resistance. Although high-pressure laminates are somewhat resistant to scratching, the surface can be damaged even under normal use. Laminate may need occasional dusting depending on where it is used. To keep the surface beautiful, use an oil free furniture spray. Remember to clean the spray off several times a year to prevent build up. Furniture polish may also help hide fine scratching in the surface.

Vinyl/Upholstery Care Instructions

MAINTENANCE / GENERAL RECOMMENDATIONS

Clean and maintain your furniture regularly. Cleaning frequency depends on use. We recommend using a professional furniture cleaning service.

Always test cleaning solutions and methods in an inconspicuous area of the furniture before proceeding. Treat spills and stains promptly. The longer the stain remains, the more difficult it will be to remove. Clean spots or stains from the edge of the stain working toward the center.

For regular cleaning and maintenance, remove excess soil with a damp, non-abrasive cloth. Use a solution of mild liquid soap and water. Rinse with clean water and dry.

STAIN TREATMENT / DISINFECTION

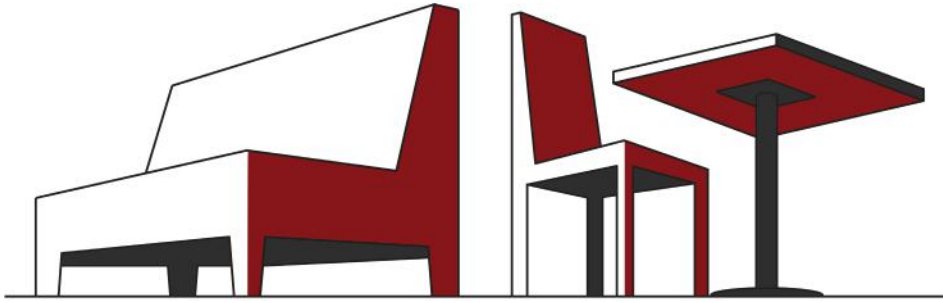
For more difficult stains or to disinfect, use a mixture of no more than 10% bleach and 90% water. **Always** rinse with clean water and dry. **Never** use full strength bleach to clean this material or any other coated fabric.

If stain persists, allow the diluted bleach solution to puddle on the affected area or apply with a clean, soaked cloth for approximately 30 minutes. Rinse with water-dampened cloth to remove any remaining bleach residue.

We do not recommend the use of hard surface cleaners; however, the following cleaners / disinfectants have been tested for use on this material, diluted per manufacturer's instructions: CaviWipes™, Virex® II 256, Virox® 5.

If these cleaners / disinfectants are used, the material **must** be rinsed with clean water and dried with a clean cloth following application. Failure to rinse thoroughly with clean water and to pat dry may lead to cleaner buildup and cause surface deterioration (cracking, blisters, peeling, discoloration, etc.).

Do **not** use cleaners marked "for hard non-porous surfaces only" unless indicated above. Such use may cause surface deterioration (cracking, blisters, peeling, discoloration, etc.).



QUICK SHIP PRODUCT GUIDE

OAKSTREETMFG.COM

(877) 465-4344



@OAKSTREETMFG



OSM0424