

CORE TOW TRACTOR



REAL TOW-IT-ALL

- ▶ 10000 lb. Towing Capacity
- ▶ 8.8 mph Travel Speed Without Load
- ▶ 24-Volt AC Drive System
- ▶ Regenerative Braking



8TB50



PLENTY OF PULL FOR THE JOB

THE TOYOTA CORE TOW TRACTOR. From A to Z, the Core Tow Tractor gets you there. Quickly and efficiently. It's the ideal solution for transporting material and pulling carts through a facility when no vertical lift is required. An AC Drive System, AC Drive Motor and regenerative braking boost productivity and make it simple to maintain. Ready to work? The Core Tow Tractor is.

CORE TOW TRACTOR ADVANTAGES

- ▶ **24-VOLT AC DRIVE SYSTEM** for optimal performance in the toughest applications
- ▶ **GENEROUS 10000 LB. TOWING CAPACITY**
- ▶ **MULTIFUNCTION CONTROL HANDLE** with ergonomically positioned handgrips for simplified operation of all controls with either hand
- ▶ **TIGHT TURNING RADIUS** advantageous for cramped, busy work environments
- ▶ **AXLE-WELDMENT RUBBER SUSPENSION** system for a smoother ride
- ▶ **QUICK-RELEASE TOW HITCH** option lets operator release carts without leaving operator compartment, streamlining work operations
- ▶ **POWER STEERING** option for effortless steering, improved ergonomics and unmatched control, with speed-sensitive steering and smooth continuous operation
- ▶ **AGV CONVERSION OPTION** equips tow tractor to operate as an Automated Guided Vehicle while still allowing for 100% manual control when needed





10000^{LB.}

CAPACITY

8.8^{MPH}

TRAVEL SPEED
WITHOUT LOAD

24^V

AC DRIVE SYSTEM

CORE TOW TRACTOR

TOWING CAPACITY
10000 LBS.

DRAWBAR PULL
750 LBS.

VOLTAGE
24

INDUSTRIES



Beverage



General
Manufacturing



General
Warehousing

STANDARD FEATURES

PERFORMANCE

- AC drive motor with thermal protection & current limiting
- 24-Volt electrical system
- Fault code memory with hour meter reading
- Regenerative braking
- Programmable performance
 - Adjustable maximum speed
 - Adjustable acceleration
- On/off key switch
- Multiple hour meter indicator
- Battery discharge indicator
- Fused control & power circuits

BODY/EXTERIOR DESIGN

- 31.75"-long x 13.44"-wide battery compartment¹
- SB-175 battery connector (gray)
- Cold storage conditioning
- Wrap-around hand guard
- Control handle with dual brake levers
- Polyurethane torsion block stabilizing casters
- Electronic horn

ERGONOMICS

- Multifunction control handle with ergonomically angled handgrips & wrap-around hand guard
- Dual thumbwheels with twist grips for directional control & travel speed
- Intuitively positioned lift/lower & horn buttons
- Adjustable height control handle (3-position); dual hand brake levers
- Low-effort control handle
- High-speed interlock button
- Bubble-cushioned operator floor mat, padded backrest & knee pad
- Walk-through operator compartment
- Low platform step height
- Axle weldment rubber suspension system

DURABILITY

- Control Area Network (CAN-bus) communications
- Welded construction with reinforced heavy-duty bumper
- Powder coat paint finish
- Steel bulkhead wrappers
- High-strength polymer service cover
- Rubber drive tire
- Polyurethane rear wheels (durometer 95)
- Hall-effect switches

SERVICEABILITY

- AC drive motor (no brushes or commutator)
- One-piece, lightweight service access cover
- Error indicator with self-diagnostics
- Self-adjusting electric disc brake

¹ Battery compartment length is 30.25" (768 mm) when equipped with optional battery compartment rollers.

OPTIONAL EQUIPMENT

- Electronic travel alarm (forward & reverse)
- Controller splash guard¹
- Keyless on/off switch²
- Power hookup for onboard terminal (24-Volt, 2 amp)³
- Power hookup for onboard terminal (24-Volt, 10 amp)³
- Storage tray with clipboard, battery compartment mounted¹⁰
- Steel bumper skirt (2.25" underclearance)⁹
- Automatic coupler tow hitch⁴
- Pin & clevis tow hitch⁵
- Rubber block suspension system
- 42" tow tractor hitch¹¹
- Steering bearing, greaseable
- 6" extended operator compartment
- Battery compartment rollers with dual side gates⁶
- Battery side gate interlock switches⁷
- 32"-high battery retaining wall⁸
- Battery spacer kit
- Polyurethane drive tire¹²
- Non-marking rubber drive tire¹²
- Various drive tire compounds
- Spring-loaded stabilizing casters
- Load wheels (durometer 85)
- Heavy-duty spring-loaded stabilizing casters
- Power steering¹⁵
- Special paint color, complete truck
- UL-approved model type "E" rating¹³
- UL-approved model type "EE" rating¹⁴
- Factory pre-programmed maximum travel speed of 5 mph¹⁶

1 Not available with option code #8087.

2 Not available with option code #8100.

3 Not available with option codes #8086 or 8087.

4 Not available with option codes #8089 or 8112.

5 Not available with option codes #8088 or 8112.

6 Roller height is 8.1" (206 mm).

7 Requires option code #8018.

8 Standard Battery Retaining Wall Height is 25" (635 mm).

9 Not available with option codes #8108 or 100609. This option includes Heavy-Duty Spring-Loaded Stabilizing Casters.

10 Not available with option code #8104.

11 Not available with option codes #8088 or 8089.

12 Not available in combination with any other drive tire option.

13 Not available with option codes #8102 or 8103.

14 Not available with option codes #8102, 8103, 8022, 8069, 8098, 8122 or 8123.

15 Not available with option codes #8086, 8087, 8067 or 8093. Due to changed steering geometry, option code #8120 should be considered for some operators.

16 Not available with option codes #8121 or 8069.



TRUCK SPECIFICATIONS

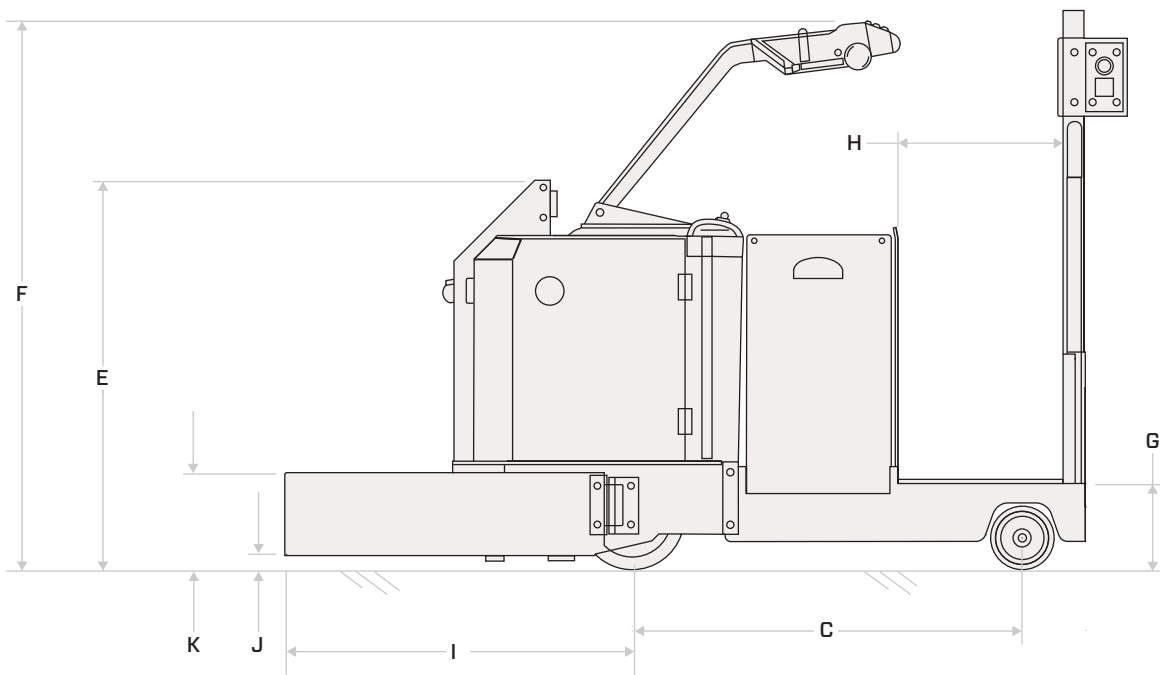
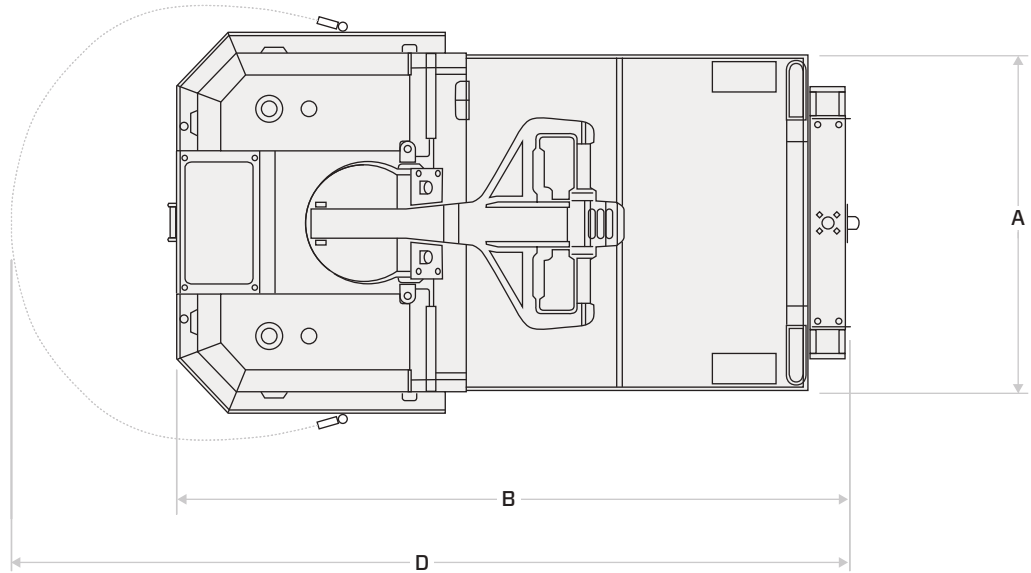
GENERAL DATA			MODEL NUMBER	
			8TB50	
Load Capacity	lb (kg)		10000 (4540)	
Power Type			Battery	
Operator Position			Center-Controlled Rider	
Tire Type	Drive / Caster / Load		Rubber / Polyurethane / Polyurethane	
Wheels (x = driven)	Front / Rear		1 Drive, 2 Casters / 2 Rear	
EXTERIOR DIMENSIONS			8TB50	
A Overall Width	in (mm)		32.5 (826)	
B Overall Length	in (mm)		53.25 (1353) ¹	
C Wheelbase	in (mm)		37.38 (949) ¹	
D Turning Radius	in (mm)		47.25 (1200) ¹	
E Power Unit Height	in (mm)		31.4 (798)	
F Overall Height (handle)	Position 1	in (mm)	56.0 (1422)	
	Position 2	in (mm)	53.0 (1346)	
	Position 3	in (mm)	49.8 (1285)	
G Operator's Platform Height	in (mm)		8.3 (211)	
H Operator's Platform Depth	in (mm)		15.8 (401)	
I Distance from Bumper to Center of Drive Tire	in (mm)		9.9 (251)	
J Bumper Underclearance	in (mm)		4.75 (121)	
K Bumper Height	in (mm)		9.75 (248)	
Gross Weight Without Battery	lb (kg)		1190 (540)	
PERFORMANCE DATA			8TB50	
Travel Speed	Full Load	mph (km/h)	5.8 (9.3)	
	No Load	mph (km/h)	8.8 (14.2)	
Drawbar Pull	Continuous	lb (kg)	250 (114) ²	
	Maximum	lb (kg)	750 (341) ²	
TIRES			8TB50	
Tires	Number	Front / Rear	3 / 2	
	Size (dia. x width)	Drive (front)	in (mm)	12 x 4.75 (305 x 121)
		Caster (front)	in (mm)	4 x 2.5 (102 x 64)
		Rear	in (mm)	6 x 3.25 (152 x 82)
POWER SYSTEM			8TB50	
Battery	Amps Max	V / Ah	750	
	Voltage	V / Ah	24	
	Connector / Color		SB-175 / Gray	
	Connector Cable Location		B	
	Connector Cable Length	in (mm)	18 (457)	
	Compartment Length	in (mm)	31.75 (806) ³	
Battery Weight	Width	in (mm)	13.44 (341)	
	Maximum	lb (kg)	1500 (680)	
	Minimum	lb (kg)	965 (435)	
Electric Motors	Drive (60 minutes)	hp (kw)	5.5 (4.1)	

¹ Add 6" (152 mm) with extended operator compartment (option code #8120).

² Coupler height at 12" (305 mm).

³ Length = 30.25" (768 mm) when equipped with optional battery compartment rollers.

EXTERIOR DIMENSIONS





COUNT ON THE LEADER

- ▶ Toyota leads in quality, durability, reliability and value, thanks to advanced technology and the world-renowned Toyota Production System.
- ▶ With the broadest and most complete set of material-handling solutions in the industry, Toyota Dealers specialize in meeting all of your needs — from a single forklift to an entire fleet.
- ▶ Toyota's industry-leading network of dealers backs every forklift with proven product support. Resources include factory-trained service technicians, Toyota Genuine Parts, and flexible leasing and financing packages through Toyota Commercial Finance.

- ▶ Toyota forklifts have ranked No. 1 in safety and quality since 2002, according to studies conducted by Peerless Research Group.

For more information, including full specs, see your Toyota Dealer or ToyotaForklift.com.

 **TOYOTA**
INDUSTRIAL EQUIPMENT
REACH NEW HEIGHTS

Some product features described herein are optional. Please consult your dealer for specifications. Details of specifications and equipment are based on information available at time of printing and may change without notice.