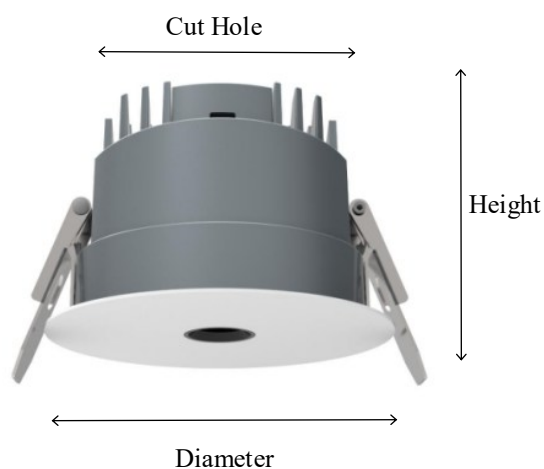




Description

Adopting micro-perforation cross-light control technology, the fixture reaches the anti-glare value of less than 6, the 13mm light outlet better hides the fixture, combined with the 1mm thickness of the lamp cup makes the fixture and the ceiling become one. It is perfect for the residential lighting, villa lighting.

Technical Drawing



Specification

Model No.	Voltage	Power	CRI	Lumen	Beam Angle	Dimension	Cut Hole
MH05	AC230V	5w	90Ra	60lm/w	24 / 36°	D65*H51mm	55mm
MH08	AC230V	8w	90Ra	60lm/w	24 / 36°	D75*H59mm	65mm
MH10	AC230V	10W	90Ra	60lm/w	24 / 36°	D85*H59mm	75mm