

SHP

SHAPED DIFFUSERS
FOR ARMSTRONG® DESIGNFLEX™ CEILING SYSTEMS



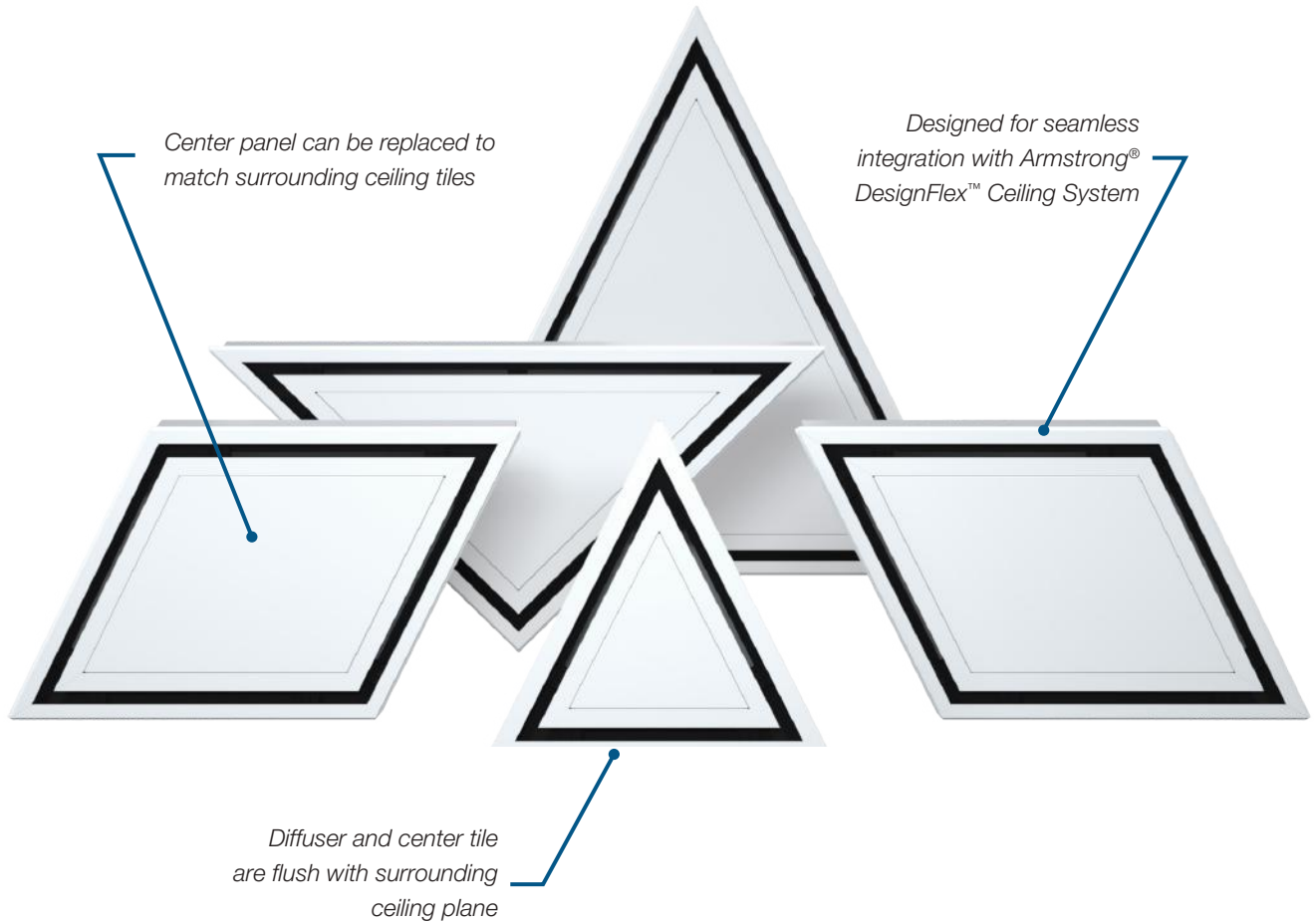
Armstrong

PRICE | DIFFUSERS

SHP

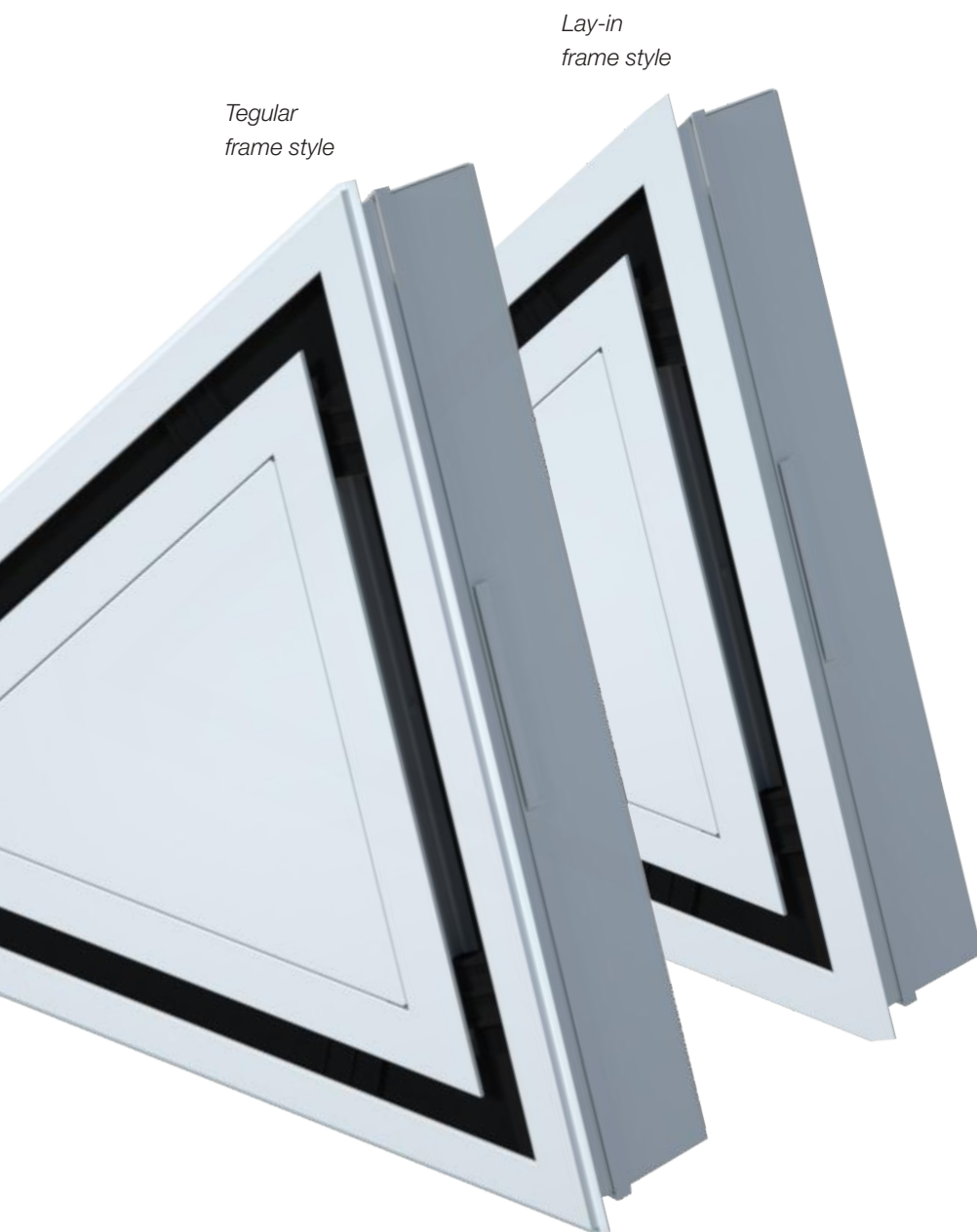
Shaped Diffusers

SHP Shaped Diffusers are designed to integrate with Armstrong® DesignFlex™ Shapes Ceiling Systems. These extruded aluminum triangular and parallelogram diffusers offer superior architectural design and engineered performance. The partnership between Armstrong Ceilings and Price Industries combines architectural and engineering expertise to provide a unique blend of aesthetics and occupant comfort.



SIMPLE DESIGN COORDINATION

- + SHP diffusers are designed specifically for integration with Armstrong® DesignFlex™ Shapes Ceiling System.
- + The SHP is available with top or side plenum inlet locations and lay-in or Tegular frame styles to ease the installation process in a variety of applications.



TYPICAL APPLICATIONS

Shape diffusers are designed for integration with the Armstrong® DesignFlex™ Shapes Ceiling Systems. Extruded aluminum construction and a unique triangular or parallelogram shape make the Shape diffuser ideal for architectural ceiling applications. The SHP is well suited to VAV applications in low or high ceiling applications.

CONSTRUCTION

- + Shape
 - Triangle
 - Parallelogram
- + Border Style
 - 9/16 Tegular (Suprafine®)
 - 15/16 Flat (Prelude®)
- + Finish
 - Armstrong® White
 - Custom Finish

ARCHITECTURAL APPEAL

- + Unique shape and size options provide architectural flexibility in a ceiling system that is easy to design, specify and install.
- + The Tegular border option minimizes gaps to provide a flush appearance.
- + The center ceiling panel can be removed and replaced to match the surrounding ceiling tiles.



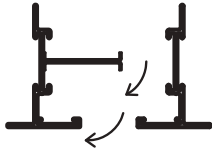
Optional removable center panel



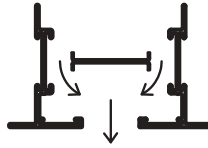
HIGHLY ADJUSTABLE

- + SHP diffusers feature a 1 in. discharge slot with dual layer pattern controllers that can be field adjusted from the diffuser face.
- + Dual layer pattern controllers allow pattern adjustment between fully horizontal and fully vertical airflow as well as air volume control and full shut off adjustment to achieve a 1, 2, 3, or 4-way air pattern.

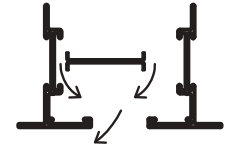
Pattern controller configurations



Horizontal



Vertical



Angular

Volume adjustments



Fully open



Partially dampered

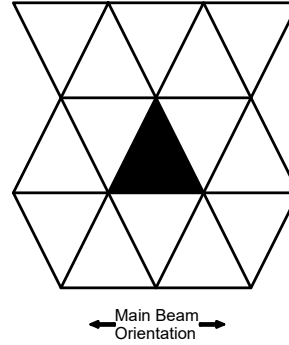
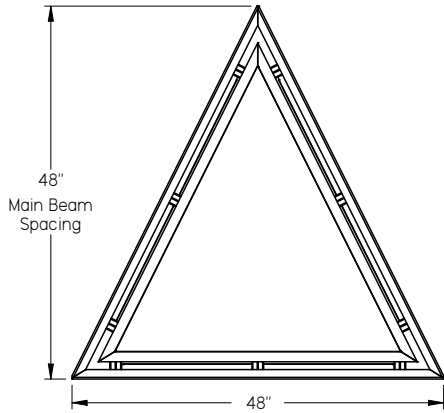


Shutoff

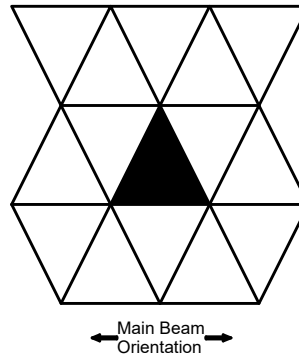
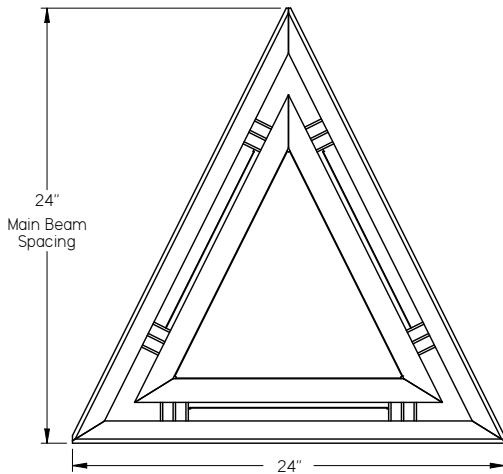


DIMENSIONAL DATA

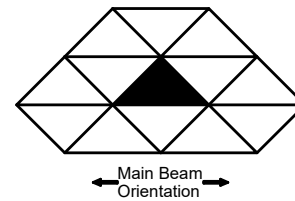
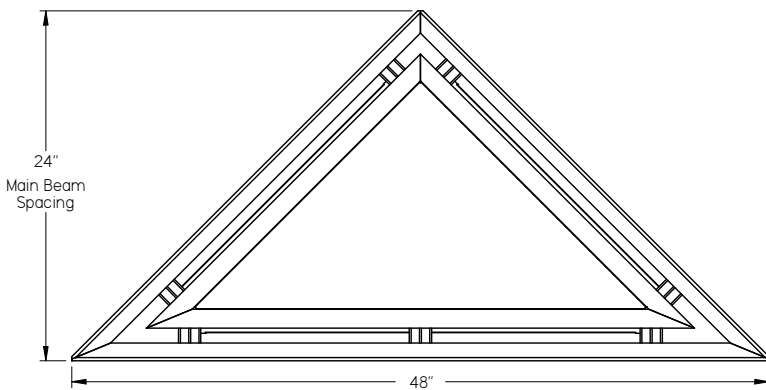
Triangles



Nominal 60° Triangle 48 in. base x 48 in. beam spacing



Nominal 60° Triangle 24 in. base x 24 in. beam spacing

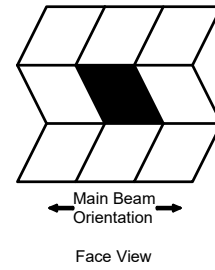
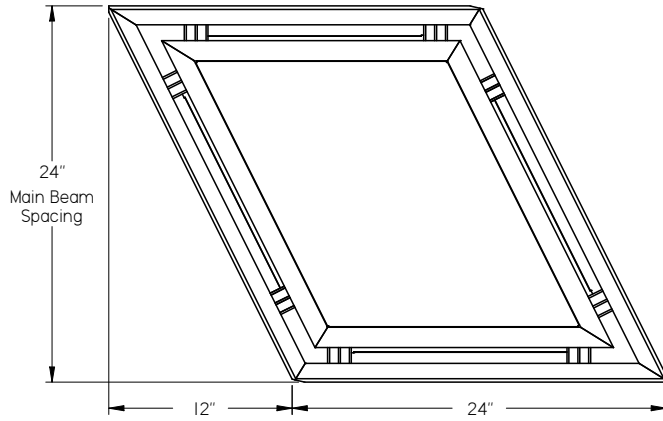


45° Triangle 48 in. base x 24 in. beam spacing

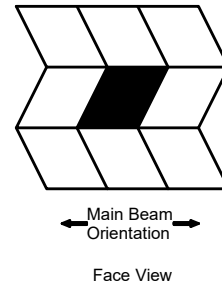
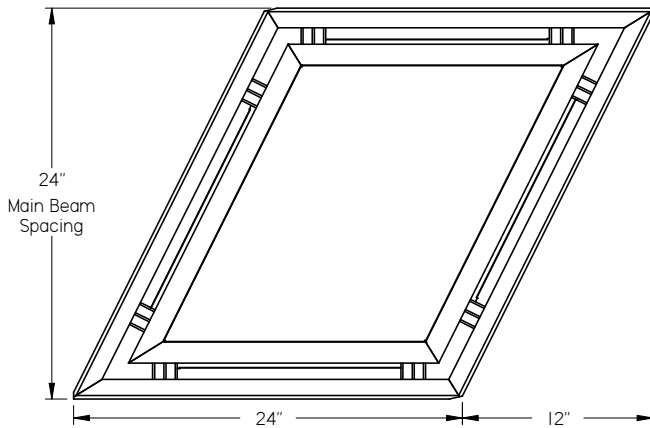
Note: Dimensions are measured at T-bar grid centerline

DIMENSIONAL DATA

Parallelograms



Left Parallelogram 24 in. base x 24 in. beam spacing Nominal 60°



Right Parallelogram 24 in. base x 24 in. beam spacing Nominal 60°

Note: Dimensions are measured at T-bar grid centerline



Product Improvement is a continuing endeavour at Price. Therefore, specifications are subject to change without notice. Consult your Price Sales Representative for current specifications or more detailed information. Not all products may be available in all geographic areas. All goods described in this document are warranted as described in the Limited Warranty shown at priceindustries.com. The complete Price product catalog can be viewed online at priceindustries.com.

Armstrong®, DesignFlex™, Prelude®, and Suprafine® are trademarks of AWI Licensing LLC and/or its affiliates.
Price is a registered trademark of Price Industries Limited. © 2019. Printed in Canada. v100