



B MOBILE EQUIPMENT MAINTENANCE SOLUTIONS



PERTH
(08) 9459 8600
KALGOORLIE
(08) 9021 8300

ADELAIDE
(08) 8231 1513
NEWMAN
(08) 9175 1164

DARWIN
(08) 8963 5621
MT ISA
(07) 4743 6458

✉ sales@bendtechgroup.com.au
🌐 bendtechgroup.com.au

2-10 Kewdale Road, Welshpool WA 6106



MOBILE EQUIPMENT MAINTENANCE SOLUTIONS**INDEX**

ABOUT BEND-TECH	///	5
BUCKET REPAIR	///	6 - 8
HAUL TRUCK WHEEL MAINTENANCE PLATFORMS	///	9
CATERPILLAR D10-D11	///	11 - 17
CATERPILLAR 16M GRADER AND 24M GRADER	///	18 - 21
CATERPILLAR 777 HAUL TRUCK	///	22 - 25
CATERPILLAR 785D HAUL TRUCK	///	26 - 27
CATERPILLAR 789 TRUCK	///	28 - 29
CATERPILLAR 793 TRUCK	///	30 - 41
CATERPILLAR 854K, 966 AND 980	///	42 - 43
CATERPILLAR 992K, 993K WHEEL LOADER	///	44 - 45
CATERPILLAR 994H WHEEL LOADER	///	46 - 52
CATERPILLAR 7495 ROPE SHOVEL	///	53

MOBILE EQUIPMENT MAINTENANCE SOLUTIONS**INDEX**

CATERPILLAR MT4400 PLATFORMS	///	54
HITACHI EX2500 EXCAVATOR	///	56
HITACHI EX3600 EXCAVATOR	///	57 - 59
HITACHI EX5500/EX5600 EXCAVATOR	///	60 - 63
HITACHI 5000EH TRUCK	///	64
EPIROC / ATLAS D65 SURFACE DRILL	///	66
EPIROC / ATLAS PV-271 BLASTHOLE DRILL	///	67
KOMATSU 475A PLATFORMS	///	69
KOMATSU 730E DUMP TRUCK	///	70 - 73
KOMATSU 830E DUMP TRUCK	///	74 - 81
KOMATSU 930E DUMP TRUCK	///	82 - 85
KOMATSU WA900 WHEEL LOADER	///	86
KOMATSU WA1200 WHEEL LOADER	///	87 - 91
KOMATSU PC4000/PC5500 EXCAVATOR	///	92 - 93

MOBILE EQUIPMENT MAINTENANCE SOLUTIONS

INDEX

LETOURNEAU L1850 WHEEL LOADER	///	95 - 96
LETOURNEAU L2350 WHEEL LOADER	///	97 - 99
LIEBHERR 996 WHEEL LOADER	///	101 - 103
LIEBHERR 9400 EXCAVATOR	///	104
VOLVO L120F WHEEL LOADER	///	105
TEREX MT4400 DUMP TRUCK	///	106
CDEC	///	107

MOBILE EQUIPMENT MAINTENANCE SOLUTIONS
ABOUT BEND-TECH



We deliver sustained value by providing cutting edge solutions through collaboration and innovation. For more than 30 years we have delivered intelligent design and customcertified products and services to the Mining, and Mobile Equipment sectors across Australia and around the world.

We have achieved this through a deep understanding of our customers and their requirements as well as innovative and industry leading design, engineering and construction. Our platforms, stands, tooling, components and lifting and handling equipment is designed to make maintenance on your mobile equipment safe, efficient and easy.

“ **MAKING MAINTENANCE
ON-SITE SAFE, EFFICIENT
AND EASY** ”

BUCKET SUPPORT STANDS



Bend-tech's heavy duty Bucket Support Stands can be used as single or pairs for loads up to 200 tonne. Our Bucket Support Stands also include forklift lifting slots for ease of transport.



200T - 300MM (H)
Part No. 5000000



200T - 600MM (H)
Part No. 5000001



200T - 900MM (H)
Part No. 5000002

Bend-tech's heavy duty Bucket Support Stands can be used in single or pair applications for loads up to 200 tonne. Our stands come in sizes 300mm high, 600mm high and 900mm high with a top load plate of 830mm x 1160mm. Our Bucket Support Stands also include forklift lifting slots for ease of transport.

CONSTRUCTION

- Heavy-duty steel
- WLL: 200 Tonne
- Fully engineered and certified
- Can be painted in accordance with the owner's specification

BUCKET REPAIR PLATFORMS



FACE SHOVEL BUCKET REPAIR PLATFORM 1300MM

Part No. 5401529

Our High Face Shovel Bucket Repair platform is used for the refurbishment and repair of buckets, and enables 3 sided access to large mining excavator and face shovel buckets in 180 to 400 tonne machine capacity range.

CONSTRUCTION

- Heavy-duty
- WLL: 250kg
- Walking pathway
- Self-closing gate
- Safety handrails
- Non-slip stairway and work area
- Platforms are provided in 3 stage modular form to enable ease of transport, storage and installation.

“ Platforms can be customised to meet your specific needs and are engineered and certified to Australian Standards. ”



FACE SHOVEL BUCKET REPAIR PLATFORM 2300MM

Part No. 5401522

BUCKET REPAIR PLATFORMS



BUCKET REPAIR AND INSPECTION PLATFORM

Part No. 5401111

Our Bucket Repair and Inspection Platform provides safe access and inspection for large mining excavator and face shovel buckets.

CONSTRUCTION

- Heavy-duty
- WLL: 500kg
- 7 step pathway
- Closing bar gate
- Safety handrails
- Non-slip stairway and work area
- Forklift slots for ease of transport
- Manufactured from Heavy duty steel

“ **MAKING MAINTENANCE
ON-SITE SAFE, EFFICIENT
AND EASY** ”

HAUL TRUCK WHEEL MAINTENANCE PLATFORMS

KOMATSU 730/830/930 REAR WHEEL BRAKE CALIPER REMOVAL PLATFORM

Part No. 5504181

A rear wheel service platform designed and engineered to provide safe maintenance and reduce manual handling. Certified and compliant with Australian Standards. Extends past the edge of the platform so operators can lower packages down to the floor.

CONSTRUCTION

- Heavy-duty aluminium
- WLL: 200kg
- Certified and compliant with Australian Standards



KOMATSU 730/830/930 FRONT WHEEL CALIPER REMOVAL PLATFORM

Part No. 5503423

Our platform provides a safe, certified and convenient solution to the access and rebuild haul truck wheels. Certified and compliant with Australian Standards.

CONSTRUCTION

- Heavy-duty aluminium
- Self closing gate
- Removable handrails
- Heavy-duty aluminium
- Non-slip stairway and work area
- Work bench on both ends for tool storage
- Adjustable jacking stands for uneven ground
- Monorail available as a manual handling upgrade



3

3 **BIGGER
THAN
BUSINESS**

CATERPILLAR MACHINE RANGE

 www.bendtechgroup.com.au

3

CATERPILLAR D10 / D11 DOZER

CATERPILLAR D10/D11 REAR ACCESS PLATFORM

Part No. 5502296

Designed and engineered for the ripper and rear access of the D10 and D11 dozers. Certified and compliant with Australian Standards.

CONSTRUCTION

- Heavy-duty aluminium
- WLL: 250kg
- Self-closing gates
- Non-slip stairway and work area
- Separated into 4 sections for easy transport



CATERPILLAR D10/D11 ENGINE BAY PLATFORM

Part No. 5501737

A safe, certified and compliant access platform designed and engineered to access the engine bay on the CAT D10 and D11 Dozer for easy servicing. Does not fit D10T-2.

CONSTRUCTION

- Heavy-duty aluminium
- WLL: 250kg
- Height: 1850mm
- Non-slip stairway and work area
- Handrails fully removable
- Jacking stands
- LH and RH configurations (Sold as a set)
- Detachable handrail with swinging gate section for protection when in the engine bay



CATERPILLAR D10 / D11 DOZER

CATERPILLAR D10 ENGINE ACCESS PLATFORM LEFT HAND

Part No. 5501643

CONSTRUCTION

- Heavy-duty aluminium
- WLL: 250kg
- Width: 950mm
- Height: 1950mm
- Length: 4067mm
- Available in LH and RH configuration
- Non-slip stairway and work area
- Double self closing gate
- Safety handrails
- Fitted with jacking stands
- Forklift slots for easy mobility



CATERPILLAR D10T SIDE ENGINE ACCESS PLATFORM

Part No. 5502808

CONSTRUCTION

- Heavy-duty aluminium
- WLL: 200kg
- Height: 1200mm
- Width: 1550mm
- Non-slip stairway and work area
- Self-closing gates
- Fitted with large industrial castors
- Interchangeable side handrails



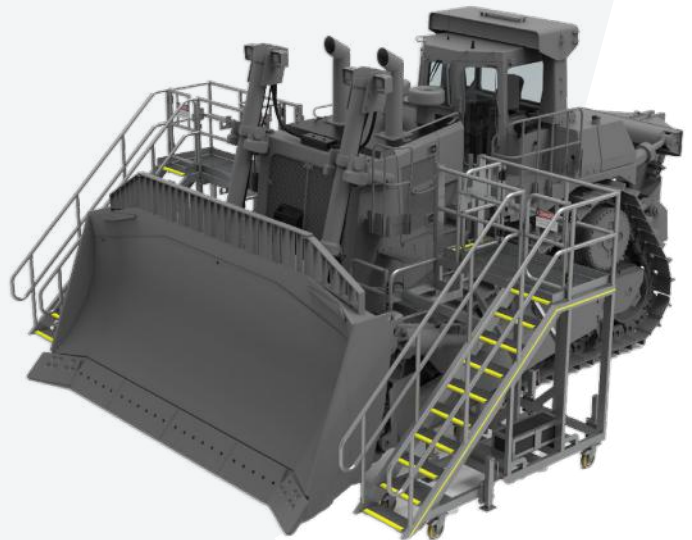
CATERPILLAR D10 / D11 DOZER

CATERPILLAR D10T2 ENGINE BAY ACCESS PLATFORM SET

Part No. 5506401

CONSTRUCTION

- Heavy-duty aluminium
- WLL: 250kg
- Fitted with jacking stands
- Detachable handrail with swinging gate section for protection when in the engine bay
- Left and right-hand configurations (Sold as a set)



CATERPILLAR D10/D11 TRACK HANDRAIL

Part No. 5501429

CONSTRUCTION

- Heavy-duty aluminium
- Certified and compliant with Australian Standards
- Fully adjustable



CATERPILLAR D10 / D11 DOZER

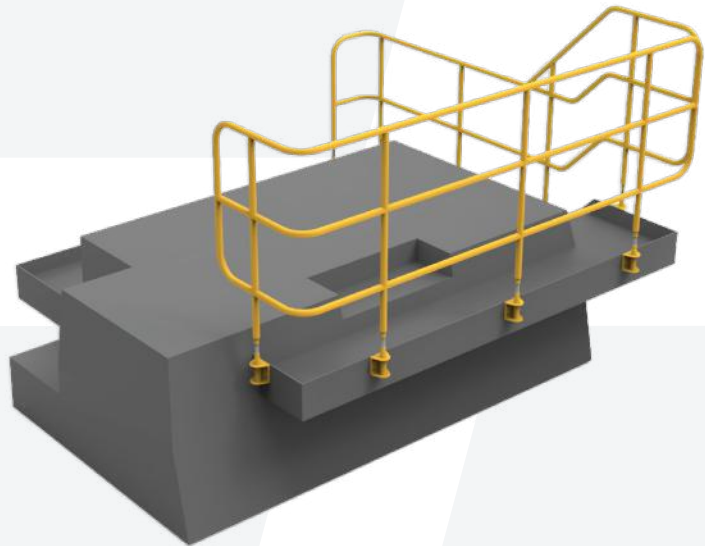
CATERPILLAR D10T REAR HANDRAILS

Part No. 5504834

CONSTRUCTION

- Heavy-duty steel
- Cost saving over OEM
- Improved design over OEM
- Shock absorbing mounts

A comprehensive set of handrails designed and engineered to provide fall protection on the rear of the Caterpillar D10T dozer.



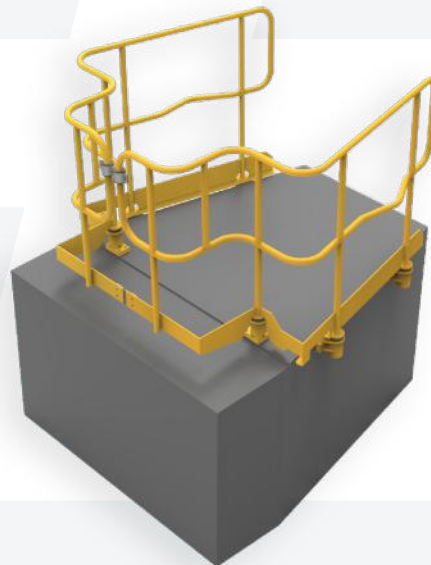
CATERPILLAR D10T BONNET HANDRAILS

Part No. 5504947

CONSTRUCTION

- Heavy-duty steel
- Shock absorbing mounts

A comprehensive set of handrails designed and engineered to provide fall protection on the rear of the Caterpillar D10T dozer.

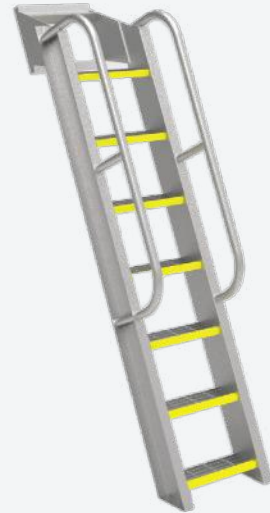


CATERPILLAR D10 / D11 DOZER

CATERPILLAR D11 DOZER LADDER EXTENSION Part No. 5501057

CONSTRUCTION

- Lightweight aluminium
- WLL: 150kg
- Height: 700mm
- Certified and compliant with Australian Standards



CATERPILLAR D11T CHASSIS HANDRAILS Part No. 5502252

CONSTRUCTION

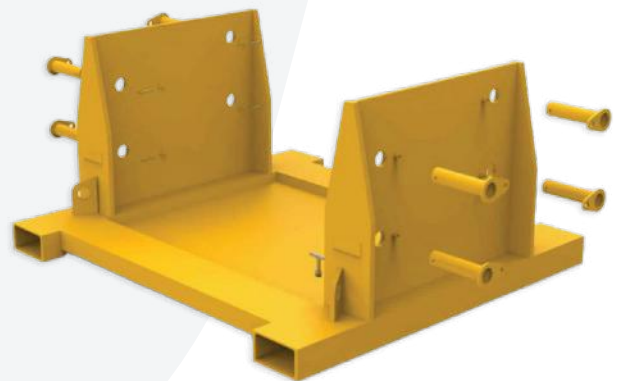
- Heavy-duty aluminium
- Height: 1800mm
- Clamps to chassis with hand bolts
- Powder coated in Y-14 safety yellow



CATERPILLAR D10 DOZER NOSE CONE STAND Part No. 5502421

CONSTRUCTION

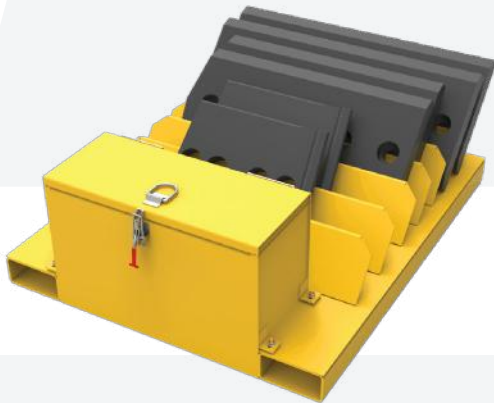
- Heavy-duty steel
- WLL: 4 Tonne
- Certified and compliant with Australian Standards
- Finished in Y14 safety yellow



CATERPILLAR D10 / D11 DOZER

CATERPILLAR D10/D11 GET JIG

Part No. 5503287

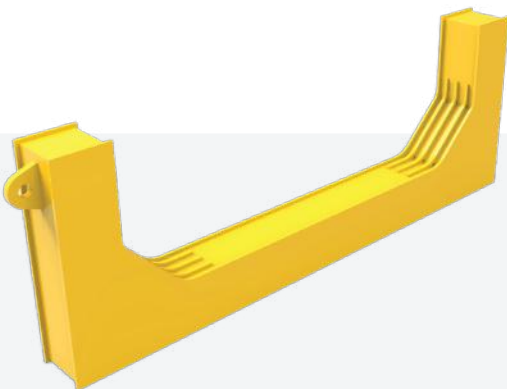


CONSTRUCTION

- Heavy-duty steel
- Height: 1800mm
- Certified and compliant with Australian Standards
- Fitted with lockable toolbox

CATERPILLAR D10/D11 DOZER TRACK LIFTING FRAME 13 TONNE

Part No. 5410131



CONSTRUCTION

- Heavy-duty steel
- WLL: 13 Tonne
- Certified and compliant with Australian Standards
- Fitted with lifting lugs

CATERPILLAR D10/D11 RIPPER TYNE HOLDER

Part No. 5502503



CONSTRUCTION

- Heavy-duty steel
- Height: 1800mm
- Certified and compliant with Australian Standards
- In-ground ripper storage
- Fitted with lock

CATERPILLAR D10 LOAD ROLLER INSTALL AND REMOVAL TOOL

Part No. 5501119



CONSTRUCTION

- Heavy-duty steel
- WLL: 140kg
- Heavy duty rubber wheels
- Rubber handgrips

CATERPILLAR D10 / D11 DOZER

**CATERPILLAR D10/11 DRAFT
ARM SAFETY STAND 45 TONNE**
Part No. 5501587



CONSTRUCTION

- Heavy-duty steel
- WLL: 45 Tonne
- Height: 1040mm
- Adjustable spring loaded heavy duty wheels
- Spring loaded

**CATERPILLAR D10/D11
UNDERCARRIAGE KIT TOOL BOX**
Part No. 5602017



CONSTRUCTION

- Heavy-duty steel
- Height: 822mm
- Gas struts for lid
- Heavy-duty foam cut out
- Drawer with heavy-duty sliders

**CATERPILLAR D10/D11 DOZER
FIRE SUPPRESSION PLATFORMS**
Part No. 5501054



CONSTRUCTION

- Heavy-duty steel
- WLL: 450kg each
- Certified and compliant with Australian Standards
- Overengineered to account for vibration while in use

**CATERPILLAR D10
RIPPER INFILL PLATFORM**
Part No. 5504311



CONSTRUCTION

- Heavy-duty steel
- WLL: 150kg
- Height: 50mm
- Drop-down lifting handle
- Non-slip, serrated grafting deck



3 / **BIGGER
THAN
BUSINESS**

CATERPILLAR 16M AND 24M GRADER

 www.bendtechgroup.com.au



CATERPILLAR 16M GRADER

CATERPILLAR 16M GRADER ACCESS PLATFORM

Part No. 5401519

CONSTRUCTION

- Heavy-duty aluminium
- WLL: 250kg
- Height: 1810mm
- Length: 1728mm
- Width: 1080mm
- Non-slip stairway and work area
- Double self-closing gate
- Safety handrails
- Wheel locks



CATERPILLAR 16M GRADER CABIN ACCESS PLATFORM

Part No. 5401590

CONSTRUCTION

- Heavy-duty aluminium
- WLL: 250kg
- Height: 1800mm
- Non-slip stairway and work area
- Jacking stands fitted on the outriggers
- Double self-closing gates
- Safety handrails
- Fork pockets for easy mobility
- Overhang and counterweight for easy access



CATERPILLAR 16M GRADER

CATERPILLAR 16M ENGINE BAY ACCESS PLATFORM

Part No. 5501593

CONSTRUCTION

- Heavy-duty aluminium
- WLL: 250kg
- Height: 1750mm
- Fitted with heavy-duty castors
- Fitted with jacking stands
- LH and RH sold as a set



CATERPILLAR 16M GRADER ENGINE STAND

Part No. 5502422



CONSTRUCTION

- Heavy-duty steel
- Height: 822mm
- Finished in Y14 safety yellow
- Fitted with forklift pockets for easy mobility

CATERPILLAR 16M GRADER SUPPORT STAND

Part No. 5502889



CONSTRUCTION

- Heavy-duty steel
- WLL: 45 Tonne
- Height: 710mm
- Fitted with forklift slots
- Finished in Y-14 safety yellow

CATERPILLAR 24M GRADER

CATERPILLAR 24M GRADER EMERGENCY ACCESS LADDER

Part No. 5502411

CONSTRUCTION

- Heavy-duty aluminium
- WLL: 150kg
- Gas struts for controlled release and easy lifting
- Easy-to-use latching system
- Fully TIG welded ladder construction
- Steel section finished in Y-14 safety yellow
- Non-slip nosings on ladder treads



“ **MAKING MAINTENANCE
ON-SITE SAFE, EFFICIENT
AND EASY** ”



B **BIGGER
THAN
BUSINESS**

CATERPILLAR 777 HAUL TRUCK

 www.bendtechgroup.com.au



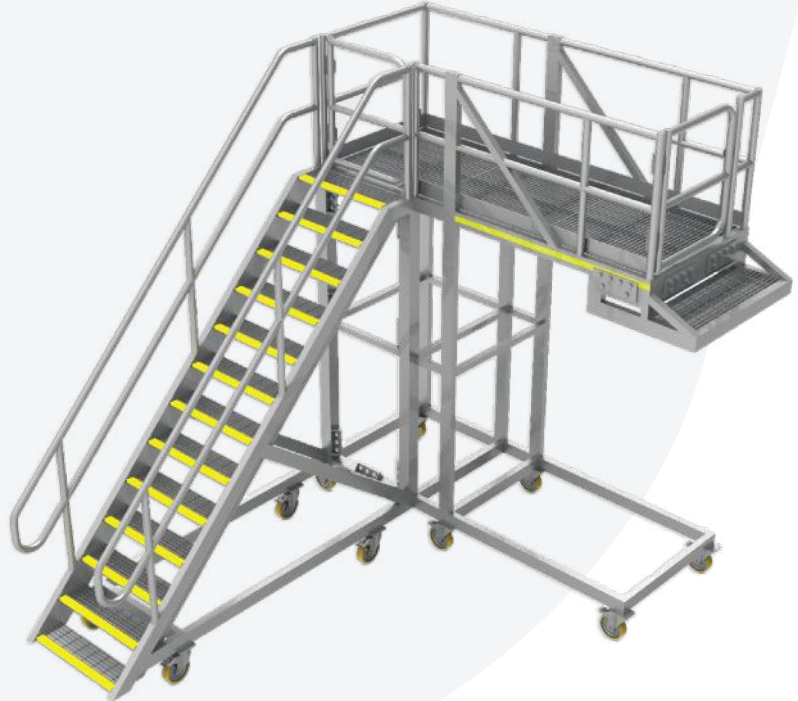
CATERPILLAR 777 HAUL TRUCK

CATERPILLAR 777 CHASSIS ACCESS PLATFORM

Part No. 5502617

CONSTRUCTION

- Heavy-duty aluminium
- WLL: 300kg
- Height: 2730mm
- Non-slip stairway and work area
- Self-closing gate
- Safety handrails



CATERPILLAR 777F WATER CART ACCESS PLATFORMS

Part No. 5501726

CONSTRUCTION

- Heavy-duty aluminium
- Height: 2450mm
- Length: 3590mm
- Width: 2800mm
- Certified and compliant with Australian Standards
- Can be customised to suit other mobile equipment
- Available in RH and LH configuration
- Non-slip walkway
- Self-closing gates



CATERPILLAR 777 HAUL TRUCK

CATERPILLAR 777F WATER CART ACCESS PLATFORM

Part No. 5501050

CONSTRUCTION

- Heavy-duty aluminium
- WLL: 250kg
- Height: 2230mm
- Non-slip stairway and work area
- Self-levelling jacks
- Self-closing gate
- Safety handrails



CATERPILLAR 777F FRONT ACCESS PLATFORM

Part No. 5500139

CONSTRUCTION

- Heavy-duty steel
- WLL: 250kg
- Height: 2400mm
- Safety handrails
- Small Platform section at bottom and larger section at top
- This item can be customised to meet your specific needs and is engineered, certified and built to Australian Standards



CATERPILLAR 777 HAUL TRUCK

CATERPILLAR 777F EMERGENCY EGRESS LADDER

Part No. 5502447

CONSTRUCTION

- Various
- High strength aluminium ladder and slides
- Heavy duty steel main frame
- Torqued gear units for controlled release and easy lifting
- *Patent pending



CATERPILLAR 777F WATER CART CHASSIS HANDRAIL KIT

Part No. 5503417

CONSTRUCTION

- Various
- Height: 1050mm
- Length: 2930mm
- Lightweight for easy install
- Fitted with heavy-duty fixings to lock to the chassis



CATERPILLAR

785D HAUL TRUCK



An engineered and certified stand and platform solution designed to provide safe access to the air filter on the Caterpillar 785 Water Cart.

CONSTRUCTION

- Heavy-duty steel
- WLL: Platform = 150kg
Stand = 35T
- Height: 1260mm
- Width: 2428mm
- Non-slip stairway and work area
- Fitted with lifting lugs



CATERPILLAR 785 WATER CART CHASSIS STAND AND PLATFORM

Part No. 5502815

CATERPILLAR 785 HAUL TRUCK

CATERPILLAR 785 ENGINE STAND

Part No. 5502933

CONSTRUCTION

- Heavy-duty steel
- WLL: 10 Tonne
- Fitted with lifting eyes
- Finished in Y-14 safety yellow



CATERPILLAR 785 RADIATOR STAND

Part No. 5502947

CONSTRUCTION

- Heavy-duty steel
- WLL: 750kg
- Height: 1670mm
- Length: 2400mm
- Fitted with lifting eyes



CATERPILLAR 789 HAUL TRUCK

CATERPILLAR 789 AIR FILTER ACCESS PLATFORM

Part No. 5503385

CONSTRUCTION

- Heavy-duty aluminium
- WLL: 350kg
- Length: 2480mm
- Width: 1600mm
- Height: 3000mm
- Non-slip stairway and work area
- Self-leveling jacks
- Self-closing gate
- Removable handrails



CATERPILLAR 789C FUEL TANK STAND

Part No. 5502823

CONSTRUCTION

- Heavy-duty steel
- WLL: 2 Tonne
- Length: 1910mm
- Width: 1500mm
- Fitted with lifting eyes
- Adjustable support blocks
- Finished in Y-14 safety yellow



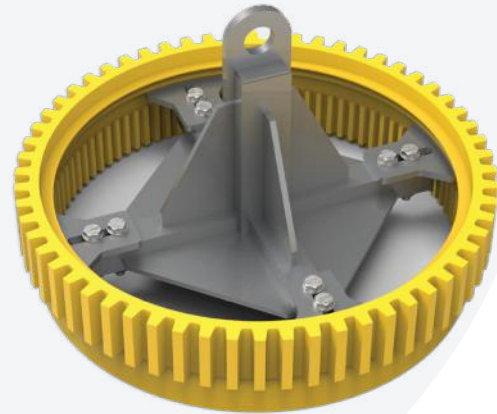
CATERPILLAR 789 HAUL TRUCK

GEAR LIFTER FOR CAT 789C

Part No. 5501675

CONSTRUCTION

- Heavy-duty aluminium
- Certified and compliant with Australian Standards
- Adjustable locking plates
- Can be customised to suit other mobile equipment



CATERPILLAR 789C TRUCK A FRAME SOCKET WRENCH

Part No. 5502210

CONSTRUCTION

- Heavy-duty steel
- WLL: 525Nm
- Removal and install of A-frame bolts



B

B **BIGGER
THAN
BUSINESS**

CATERPILLAR 793 HAUL TRUCK

 www.bendtechgroup.com.au

B

CATERPILLAR 793 HAUL TRUCK

KOMATSU 730/830/930 REAR WHEEL BRAKE CALIPER REMOVAL PLATFORM

Part No. 5504181

CONSTRUCTION

- Heavy-duty aluminium
- WLL: 200kg
- Length: 3200mm
- Certified and compliant with Australian Standards

Wheel service platform designed and engineered to provide safe maintenance and reduce manual handling. Certified and compliant with Australian Standards. Extends past the edge of the platform so operators can lower packages down to the floor.



CATERPILLAR 793F ENGINE BAY PLATFORM

Part No. 5501493

CONSTRUCTION

- Heavy-duty aluminium
- WLL: 450kg
- Height: 1280mm
- Non-slip work area
- Jockey stands and lifting lugs
- Self closing gate
- Stability jacks
- Removable handrails and self-closing gate



CATERPILLAR 793 HAUL TRUCK

IN-TRAY SIDE WALL ACCESS PLATFORM

Part No. 5503199

CONSTRUCTION

- Heavy-duty aluminium
- WLL: 250kg
- Length: 4600mm
- Width: 1900mm
- Height: 1900mm
- Heavy-duty jacking stands
- Self-closing gate
- Fitted with removable handrails



CATERPILLAR 793F STRUT AND LINE BORING PLATFORM

Part No. 5501498

CONSTRUCTION

- Heavy-duty aluminium
- WLL: 250kg
- Height: 2200mm
- Non-slip stairway and work area
- Removable handrails
- Overhang for extra access
- Easy access stairway



CATERPILLAR 793 HAUL TRUCK

CATERPILLAR 793F REAR STRUTS PLATFORM

Part No. 5501029

CONSTRUCTION

- Heavy-duty aluminium
- WLL: 150kg
- Height: 2100mm
- Non-slip stairway and work area
- Large industrial castors
- Self-closing gate
- Safety handrails



CATERPILLAR 793F WORK PLATFORM

Part No. 5501313

Caterpillar 793F work platform designed and engineered for safe, efficient and easy maintenance. Certified and compliant with Australian Standards.

CONSTRUCTION

- Heavy-duty aluminium
- Fitted with removable handrails
- Fitted with jacking stands
- Fitted with heavy-duty castors



CATERPILLAR 793 HAUL TRUCK

CATERPILLAR 793F AIR CLEANER PLATFORM

Part No. 5501491

CONSTRUCTION

- Heavy-duty aluminium
- WLL: 250kg
- Height: 2800mm
- Non-slip stairway and work area
- Jacking stands for stability
- Mandrel bent stair safety handrails
- Overhang self-closing gate for safety and access



CATERPILLAR 793F UPPER RADIATOR ACCESS

Part No. 5415108

CONSTRUCTION

- Heavy-duty aluminium
- WLL: 250kg
- Height: 4000mm
- Non-slip stairway and work area
- Large industrial castors and levelling jacks
- Self-closing gate
- Safety handrails



CATERPILLAR 793 HAUL TRUCK

TRAY PIN REMOVAL PLATFORM

Part No. 5501483

CONSTRUCTION

- Heavy-duty aluminium
- WLL: 250kg
- Length: 5250mm
- Access platform for tray pin removal
- Non-slip stairway and work area
- Heavy duty castor wheels
- Safety handrails
- Stability jacks
- Multiple platform sections bolt together to form the main platform
- Self-closing gate at the top of the stairs



CATERPILLAR 793F DRIVER SIDE ACCESS PLATFORM

Part No. 5501496

CONSTRUCTION

- Heavy-duty aluminium
- WLL: 250kg
- Length: 4200mm
- Heavy duty castor wheels
- Safety handrails
- Outriggers with stability jacks
- Platform bolts together in a top and bottom section
- Self-closing gate at top of stairs and boom rail at rear



CATERPILLAR 793 HAUL TRUCK

CATERPILLAR 793F LOWER RADIATOR ACCESS PLATFORM

Part No. 5414126

CONSTRUCTION

- Heavy-duty aluminium
- WLL: 250kg
- Height: 1800mm
- Self-closing gate
- Safety handrails
- Non-slip stairway and work area
- Large industrial castors and levelling jacks



CATERPILLAR 793F LIFT ARM RAM ACCESS PLATFORM

Part No. 5504056

CONSTRUCTION

- Heavy-duty aluminium
- WLL: 250kg
- Height: 1950mm
- Non-slip stairway and work area
- Heavy-duty castor wheels
- Fitted with forklift slots
- Safety handrails



CATERPILLAR 793 HAUL TRUCK

CATERPILLAR 793F CORNER MODULE

Part No. 5504223

CONSTRUCTION

- Heavy-duty steel construction
- Fitted with a non-slip deck
- Includes handrail kit
- Finished in CAT Yellow
- AHS integration available
- Stocked and ready for despatch



CATERPILLAR 793F HANDRAIL CONVERSION

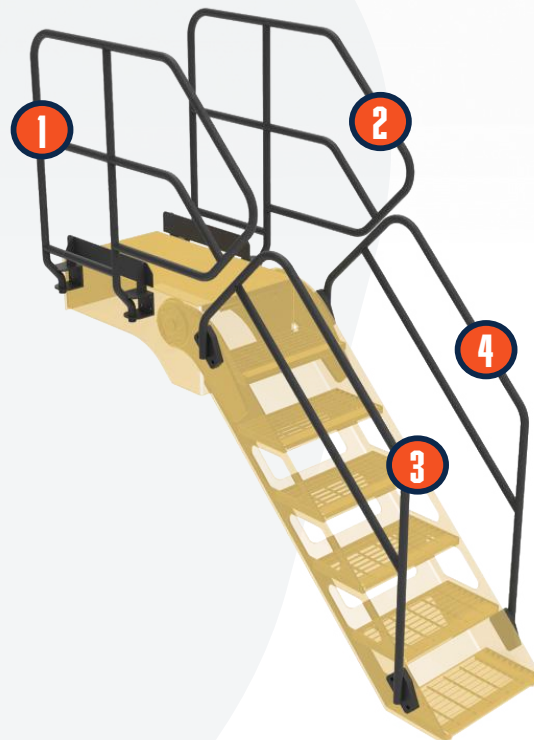
Part No. 5501853

INDIVIDUAL PARTS

- Platform Handrail LH (1) - 5000282
- Platform Handrail RH (2) - 5000281
- Stairway Handrail LH (3) - 5000284
- Stairway Handrail RH (4) - 5000283

CONSTRUCTION

- Heavy-duty steel construction
- Mounts in existing bolt holes on top
- Ladder handrails simply need welded stud plates for bolting handrails on



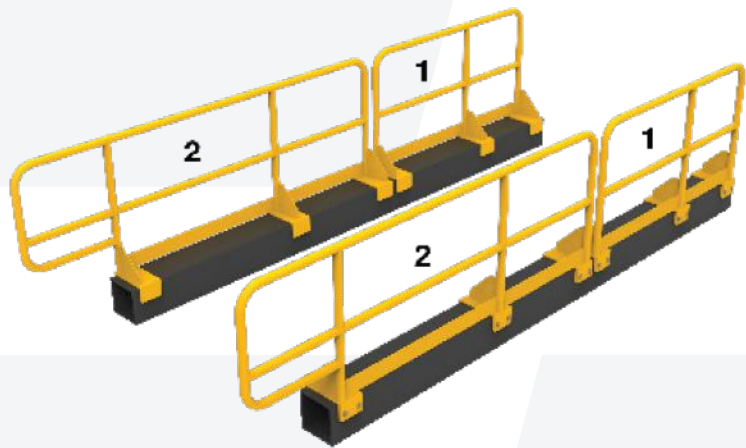
CATERPILLAR 793 HAUL TRUCK

CATERPILLAR 793F CHASSIS HANDRAILS

Part: 793FLH1
Part: 793FLH2
Part: 793FRH1
Part: 793FRH2

CONSTRUCTION

- Heavy-duty steel
- Certified and compliant with Australian Standards
- 4 handrail components available
- Finished in CAT yellow



CATERPILLAR 793F REAR CHASSIS HANDRAIL

Part No. 5501294

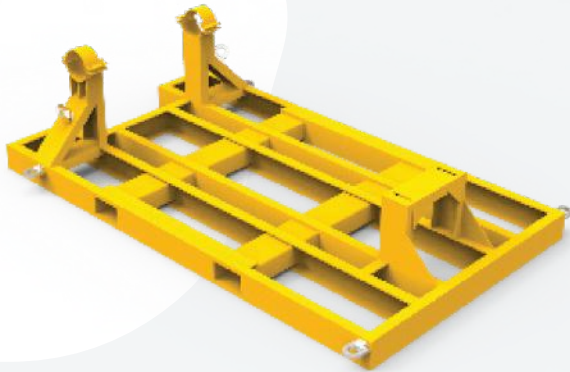
CONSTRUCTION

- Lightweight
- Threaded blocks clamp onto chassis and bolt on making the handrails removable
- TIG welded
- Powder coated Y14 Yellow



CATERPILLAR 793 HAUL TRUCK

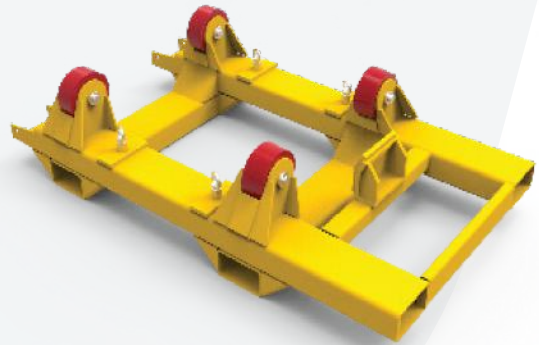
CATERPILLAR 793D ENGINE SUPPORT AND TRANSPORT STAND Part No. 5401525



CONSTRUCTION

- Heavy-duty steel
- WLL: 11 Tonne
- Height: 650mm
- Lifting eyes for ease of transport

CATERPILLAR 793 WHEEL HUB SUPPORT FRAME Part No. 5413106



CONSTRUCTION

- Heavy-duty steel
- WLL: 7.8 Tonne
- Rollers to allow frame movement during maintenance
- Fully engineered and certified
- Lifting eyes for ease of transport

CATERPILLAR 793F LIFTING AND FLANGE REMOVAL TOOL Part No. 5501058



CONSTRUCTION

- Heavy-duty steel
- WLL: 300kg
- Tool is screwed to a rated jacking table for lifting up and down

CATERPILLAR 793 ROCK EJECTOR INSTALLATION TOOL Part No. 5512014



CONSTRUCTION

- Heavy-duty steel
- WLL: 150kg
- Painted Y14 Golden Yellow

CATERPILLAR 793 HAUL TRUCK

CATERPILLAR 793F TRUCK FUEL TANK REMOVAL LIFTING FRAME

Part No. 5501025



CONSTRUCTION

- Heavy-duty steel
- WLL: 4 Tonne
- Length: 2280mm
- Fork lift style: 3 Point Lifting Unit

ACCUMULATOR FORKLIFT LIFTING JIG

Part No. 5503198

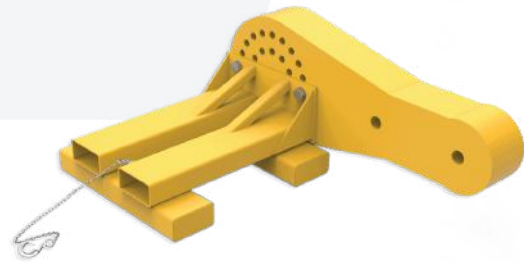


CONSTRUCTION

- Heavy-duty steel
- WLL: 150kg
- Tool is screwed to a rated jacking table for lifting up and down
- Suits 175mm diameter accumulators

CATERPILLAR 793 WHEEL HUB SUPPORT FRAME

Part No. 5502835



CONSTRUCTION

- Heavy-duty steel
- WLL: 800kg
- Height: 350mm
- Tie-down point with chain and hook

CATERPILLAR 793 ROCK EJECTOR INSTALLATION TOOL

Part No. 5501445



CONSTRUCTION

- High-strength Steel
 - Height: 577mm
 - Gas Struts for lid
 - Key Lock
 - Heavy Duty hydrocarbon resistant foam cut out
- *TOOL BOX ONLY

CATERPILLAR 793 HAUL TRUCK

CATERPILLAR 793F STEERING PUMP DRIVE WORK STAND AND BENCH

Part No. 5503047

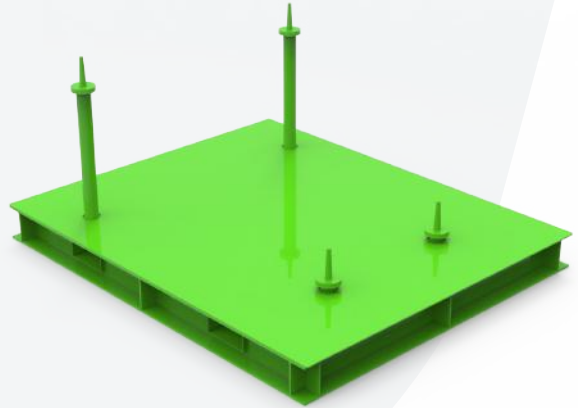


CONSTRUCTION

- Heavy-duty steel
- WLL: 600kg
- Fitted with forklift slots
- Fitted with lifting lugs
- Finished in Y-14 safety yellow

CAT D10T CAB WORK STAND

Part No. 5507624



CONSTRUCTION

- Heavy-duty steel
- WLL: 2 Tonne
- Fitted with forklift slots
- Certified and compliant with Australian Standards

“ **MAKING MAINTENANCE
ON-SITE SAFE, EFFICIENT
AND EASY** ”

CATERPILLAR 854K DROZER

CATERPILLAR 854K EMERGENCY LADDER

Part No. 5502306

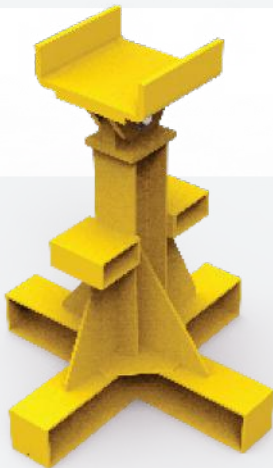
CONSTRUCTION

- Heavy-duty aluminium
- ladder and slides
- Heavy-duty steel
- main frame
- WLL: 150kg
- Height: 2800mm
- Non-slip ladder nosings
- Toured gear units for controlled release and easy lifting



CATERPILLAR 854K WHEEL DOZER DRAFT ARM STAND

Part No. 5501549



CONSTRUCTION

- Heavy-duty steel
- WLL: 50 Tonne
- Height: 1100mm
- Swivel top stand with pin

CATERPILLAR 854K DIFF SKATE CRADLE

Part No. 5502504



CONSTRUCTION

- High-strength Steel
- WLL: 10 Tonne
- Height: 300mm
- Finished in Y-14 safety yellow

CATERPILLAR 966 WHEEL LOADER

CATERPILLAR 966 ELECTRICAL ACCESS PLATFORM

Part No. 5501444

CONSTRUCTION

- Heavy-duty aluminium
- Non-slip stairway and work area
- Small access platform
- Safety rails
- Fixed wheels at rear
- Self-closing gates



CATERPILLAR 980 WHEEL LOADER

CATERPILLAR 980M SAFETY ACCESS PLATFORM SET

Part No. 5501049

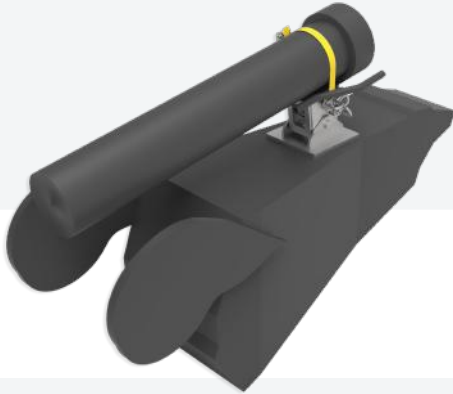
CONSTRUCTION

- Heavy-duty aluminium
- WLL: 250kg
- Height: 1120mm
- Non-slip stairway and work area
- Self-closing gate
- Safety handrails



CATERPILLAR 992K WHEEL LOADER

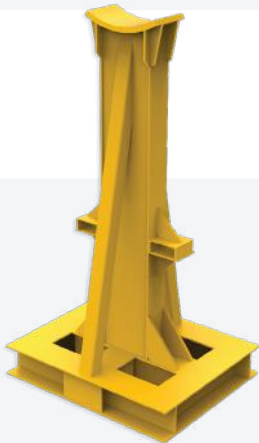
**CATERPILLAR 992J/K TILT
CYLINDER SUPPORT STAND**
Part No. 5504349



CONSTRUCTION

- Heavy-duty aluminium
- WLL: 2 Tonne
- Height: 350mm
- Fitted with lifting lugs
- Ratchet strap

**CATERPILLAR 992K BUCKET
BOOM SUPPORT STAND**
Part No. 5502628



CONSTRUCTION

- Heavy-duty steel
- WLL: 100 Tonne
- Height: 2310mm
- Finished in Y-14 safety yellow

**CATERPILLAR 992K BUCKET
BOOM ARM STANDS**
Part No. 5500994



CONSTRUCTION

- Heavy-duty steel
- WLL: 60 Tonne
- Height: 2440mm
- Finished in Y-14 safety yellow

**CATERPILLAR 992K BUCKET BOOM
SUPPORT STAND 3180MM (H)**
Part No. 5504688



CONSTRUCTION

- Heavy-duty steel
- WLL: 50 Tonne
- Finished in Y-14 safety yellow
- Certified and compliant with Australian Standards

CATERPILLAR 993K WHEEL LOADER

CATERPILLAR 993 LIFT CYLINDER SUPPORT STANDS

Part No. 5504445

CONSTRUCTION

- Heavy-duty steel
- WLL: 10 Tonne
- Used as a pair
- Lifting lugs attached
- Finished in safety yellow



CATERPILLAR 993K LOWER RH ARTIC ACCESS PLATFORM

Part No. 5503773



CONSTRUCTION

- Heavy-duty aluminium
- WLL: 150kg
- Height: 1200mm
- Non-slip stairway and work area
- Safety handrails and self-closing gate

CATERPILLAR 993K 50T BOOM STAND

Part No. 5503347



CONSTRUCTION

- Heavy-duty steel
- WLL: 50 Tonne
- Height: 3700mm
- Painted Y14 Golden Yellow



B **BIGGER
THAN
BUSINESS**

CATERPILLAR 994H WHEEL LOADER

 www.bendtechgroup.com.au



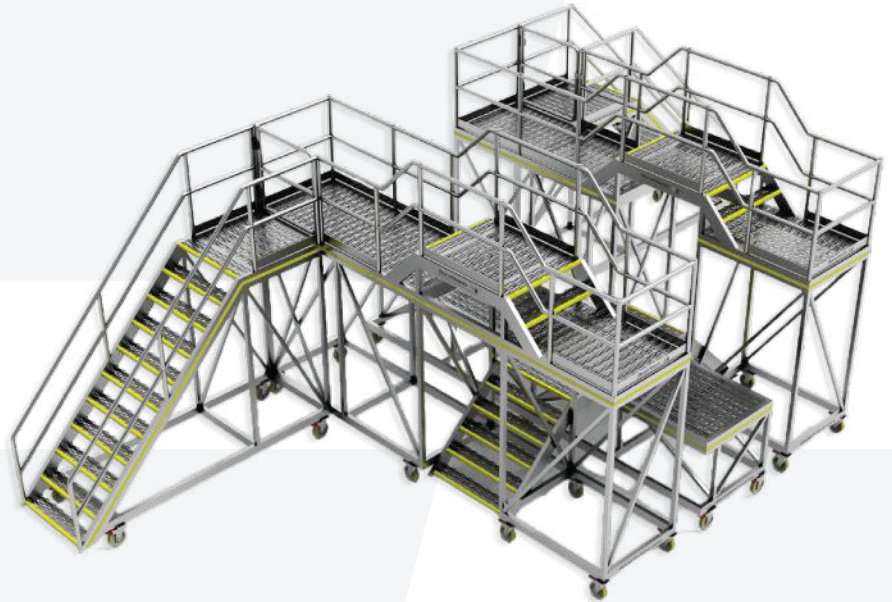
CATERPILLAR 994H WHEEL LOADER

CATERPILLAR 994H ACCESS PLATFORM

Part No. 5501487

CONSTRUCTION

- Heavy-duty aluminium
- WLL: 250kg
- Length: 2850mm
- LH and RH side work platforms with additional middle platform
- Safety handrails
- Self closing gate
- Provides safe and efficient access



CATERPILLAR 994H ARCTIC PLATFORM

Part No. 5501865

CONSTRUCTION

- Heavy-duty aluminium
- WLL: 250kg
- Height: 2850mm
- Non-slip stairway and work area
- Adjustable handrails at front
- Self closing gate
- Extended overhang for extra access



CATERPILLAR 994H WHEEL LOADER

CATERPILLAR 994H ARTIC HIGH ACCESS PLATFORM

Part No. 5501486

CONSTRUCTION

- Heavy-duty aluminium
- WLL: 250kg
- Length: 2840mm
- Non-slip stairway and work area
- Self-closing gate
- Safety handrails
- Boom rail on front
- Outriggers with levelling jacks
- Fork pockets for easy transport

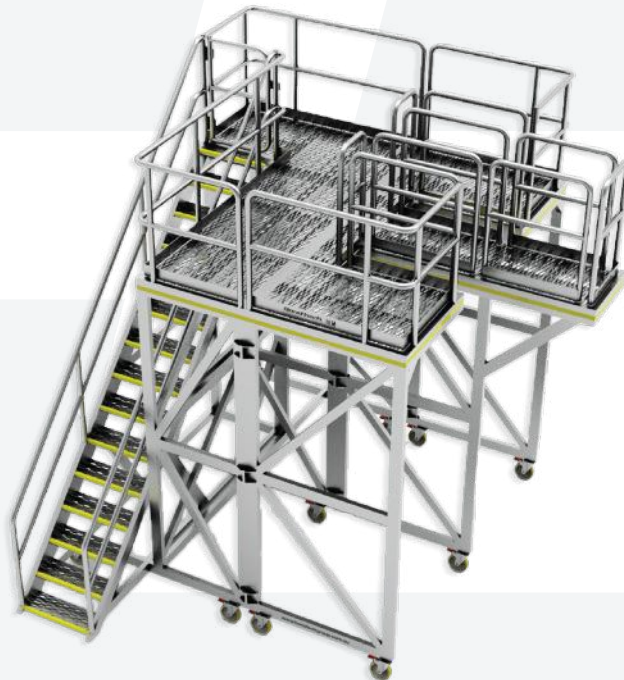


CATERPILLAR 994H FRONT ARMS AND PIN PLATFORM

Part No. 5501499

CONSTRUCTION

- Heavy-duty aluminium
- WLL: 250kg
- Length: 3350mm
- Non-slip stairway and work area
- Removable handrails for easy of access
- Self closing gate
- Platforms bolt together for transport



CATERPILLAR 994H WHEEL LOADER

CATERPILLAR 994H EMERGENCY SIDE ACCESS AND WORK PLATFORM

Part No. 5501862

CONSTRUCTION

- Heavy-duty aluminium
- WLL: 400kg
- Height: 2100mm
- Non-slip stairway and work area Self-closing gate
- Safety handrails



CAT 994H LH - RH ARTIC SHORT PLATFORM

Part No. 5501492

CONSTRUCTION

- Heavy-duty aluminium
- WLL: 250kg
- Height: 900mm
- Non-slip stairway and work area
- Safety handrails
- Self-closing gate
- Jacking stands for stability



CATERPILLAR 994H WHEEL LOADER

CATERPILLAR 994H FRONT TILT ACCESS PLATFORM

Part No. 5501919

CONSTRUCTION

- Heavy-duty steel
- Non-slip work area
- Steel plates weld to bucket
- Platform bolts onto welded plates
- Safety handrails painted Y14 safety yellow



CAT 994K TILT CYLINDER ACCESS PLATFORM

Part No. 5507327

CONSTRUCTION

- Heavy-duty aluminium
- WLL: 500kg
- Length: 4680mm
- Fitted with forklift slots
- Finished in Y14 safety yellow
- Certified and compliant with Australian Standards



CATERPILLAR 994H WHEEL LOADER

CATERPILLAR 994F ACCESS STAIRS

Part No. 5501973

CONSTRUCTION

- Heavy-duty steel
- Certified and compliant with Australian Standards
- Includes stairs and handrails
- Alternative option to OEM build



CAT 994 EMERGENCY EGRESS LADDER

Part No. 5504157

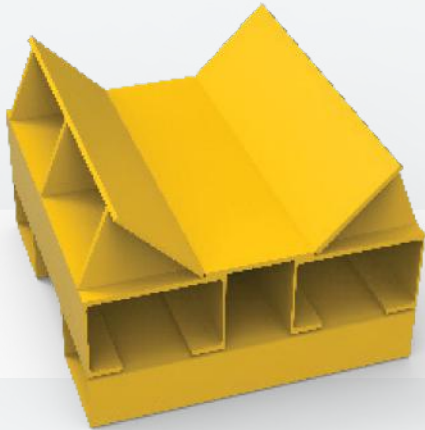
CONSTRUCTION

- High strength aluminium ladder
- High strength aluminium slides
- Non-slip ladder nosing's
- Heavy duty steel main frame
- Torqued gear units for controlled release and easy lifting
- Certified and compliant with Australian Standards *Patent pending



CATERPILLAR 994H WHEEL LOADER

**CATERPILLAR 994H
TRANSMISSION HOLDER**
Part No. 5501502



CONSTRUCTION

- Heavy-duty steel
- WLL: 1.5 Tonne
- Height: 2440mm
- Finished in Y-14 safety yellow
- Engineered to drive efficiency

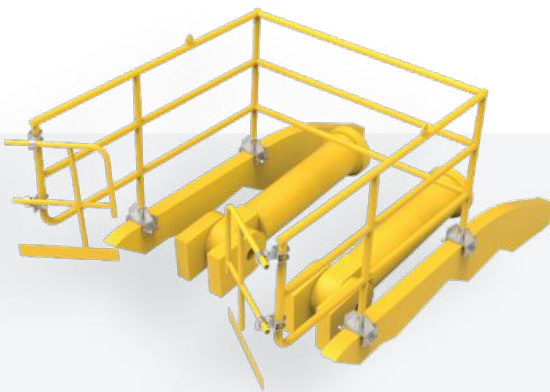
**CATERPILLAR 994H INNER SUN
GEAR INSTALLATION TOOL**
Part No. 5502734



CONSTRUCTION

- Heavy-duty steel
- Powder-coated in CAT Yellow
- Certified and engineered to Australian Standards

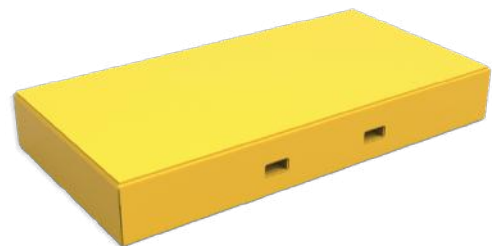
LOADER BOOM FALL PROTECTION
Part No. 5503681



CONSTRUCTION

- Heavy-duty aluminium
- Height: 1180mm
- Clamps to chassis with hand bolts
- Powder coated in Y-14 safety yellow
- Suits both Komatsu WA1200 and CAT 994 loaders

LOADER BUCKET SKID STAND
Part No. 5503744



CONSTRUCTION

- Heavy-duty steel
- WLL: 50 Tonne
- Height: 450mm
- Painted Y14 Golden Yellow

CATERPILLAR

7495 ROPE SHOVEL



CONSTRUCTION

- Heavy-duty steel
- Certified and compliant with Australian Standards
- Replacement boom walkway handrails for the 7495 Rope Shovel.



CATERPILLAR 7495 BOOM WALKAWAY HANDRAILS

Part No. 5502627

CATERPILLAR MT4400 TRUCK



A safe, certified and compliant access platform designed and engineered to access the front of the CAT MT4400 dump truck

CONSTRUCTION

- Heavy-duty aluminium
- WLL: 250kg
- Height: 2180mm
- Non-slip stairway and work area
- Large overhang for access
- Safety handrail
- Self-closing gate at the top of the stairs
- Certified and compliant with Australian Standards



CAT MT4400 FRONT ACCESS PLATFORM

Part No. 5501497



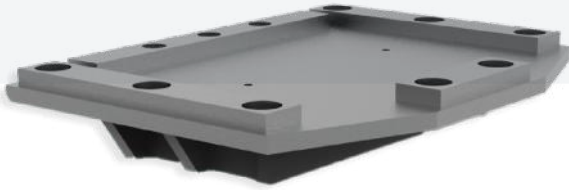
HITACHI MACHINE RANGE



HITACHI EX2500 EXCAVATOR

HITACHI EX2500 BASH PLATE

Part No. 5500152



CONSTRUCTION

- Heavy-duty steel
- Modular design
- Painted to site or machine specific colours

HITACHI EX2500 CYLINDER PROTECTION

Part No. 5503492



CONSTRUCTION

- Extremely robust, flexible rock deflection
- Minimise expensive damage and downtime
- Provides full cover to the ram with no excess weight or restriction
- Cost effective solution
- Easy to install

HITACHI EX2500 PLATFORM EXTENSION

Part No. 5501633



CONSTRUCTION

- Heavy-duty steel
- WLL: 250kg
- Height: 2350mm
- Base plates lock into grate below
- Certified and compliant with Australian Standards

HITACHI EX3600 EXCAVATOR

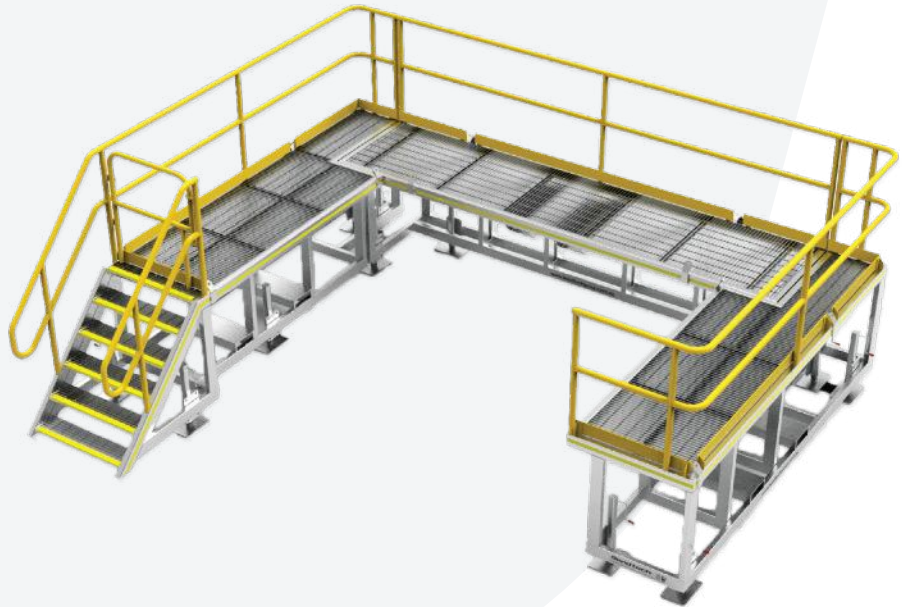
HITACHI EX3600 BUCKET REPAIR PLATFORM

Part No. 5501885

A platform designed for the safe, certified and compliant access and repair of the EX5600 bucket.

CONSTRUCTION

- Heavy-duty steel
- Can be used in the pit if needed
- Galvanised grid mesh
- Safety handrails
- painted in Y14 safety yellow



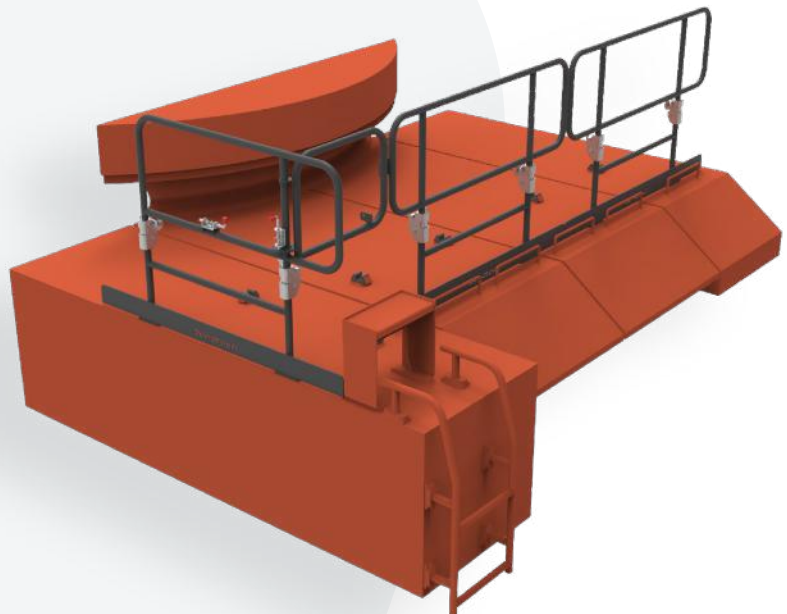
HITACHI EX3600 TRAVEL MOTOR COVER FOLDING HANDRAILS

Part No. 5503665

Our Folding Safety Handrails provide a safe working space for the top of the Hitachi EX3600 travel motor covers. Certified and compliant with Australian Standards.

CONSTRUCTION

- Heavy-duty steel
- Mid-folding design



HITACHI EX3600 EXCAVATOR

HITACHI EX3600 CYLINDER PROTECTION

Part No. 5502294

The cover is a proven design that is in use in the Pilbara which provides a cost-effective complete cover of the ram with no excess weight or operative restriction.

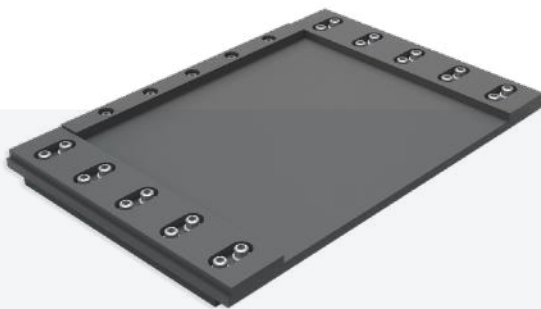
CONSTRUCTION

- Heavy-duty
- Extremely robust, flexible rock deflection
- Minimise expensive damage and downtime
- Cost effective solution
- Provides full cover to the ram with no excess weight or restriction
- Stocked off-the-shelf ready for despatch
- Easy to install



HITACHI EX3600 BASH PLATE

Part No. 5502903

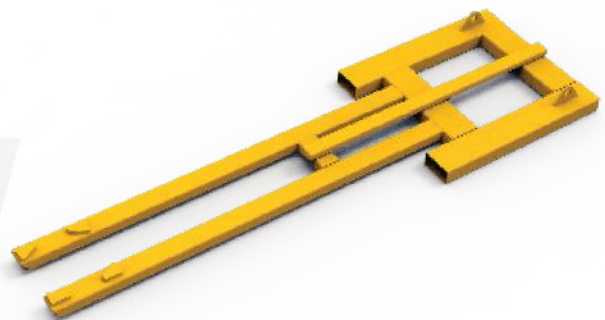


CONSTRUCTION

- Heavy-duty steel
- Length: 1135mm
- Width: 760mm
- Certified and compliant with Australian Standards

HITACHI EX3600 LOAD ROLLER STAND PLACEMENT FRAME

Part No. 5501545



CONSTRUCTION

- Heavy-duty steel
- Length: 3486mm
- Width: 1060mm
- Radial lifter guides gusset and support plate
- Keeps forklift and workers out of harm's way

HITACHI EX3600 EXCAVATOR

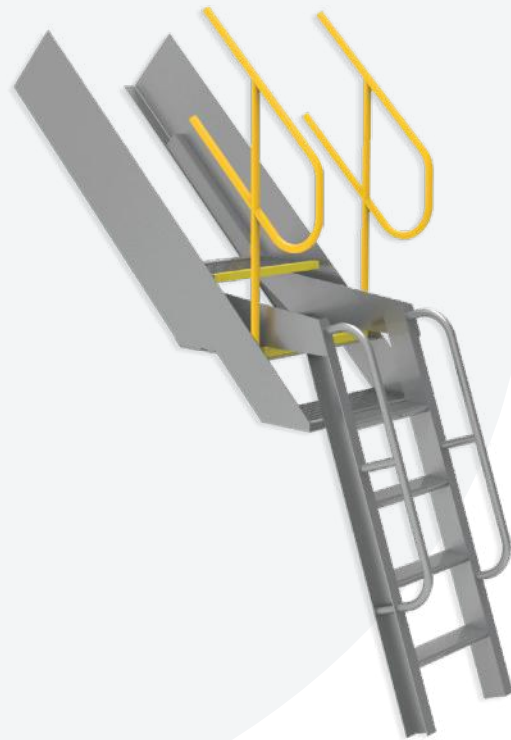
HITACHI EX3600 ALUMINIUM LADDER EXTENSION

Part No. 5502538

An engineered and certified access solution for loading an EX3600 onto a low loader. There is the risk of falling from heights when using the conventional method of dismount.

CONSTRUCTION

- Heavy-duty lightweight aluminium
- WLL: 150kg
- Easy attachment to bottom of the OEM ladder



HITACHI EX3600 LOAD ROLLER STAND

Part No. 5410163

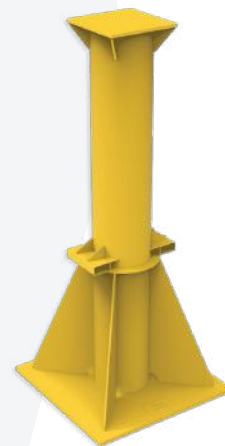


CONSTRUCTION

- Heavy-duty steel
- WLL: 214 Tonne
- Height: 370mm
- Forklift attachment frame available

HITACHI EX3600 BOOM STAND

Part No. 5504212



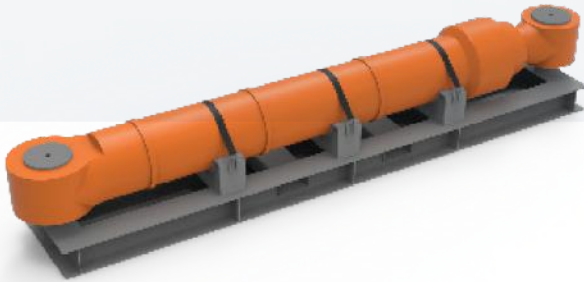
CONSTRUCTION

- Heavy-duty steel
- WLL: 150kg
- Height: 4000mm
- Easy attachment to bottom of the OEM ladder

HITACHI EX5600 EXCAVATOR

HITACHI EX5500 ARM CYLINDER TRANSPORT FRAME

Part No. 5501992



CONSTRUCTION

- Heavy-duty steel
- Hot dipped galvanised
- Allows for easy, safe transport
- Certified and compliant

HITACHI EX5500 BOOM CYLINDER TRANSPORT FRAME

Part No. 5501993

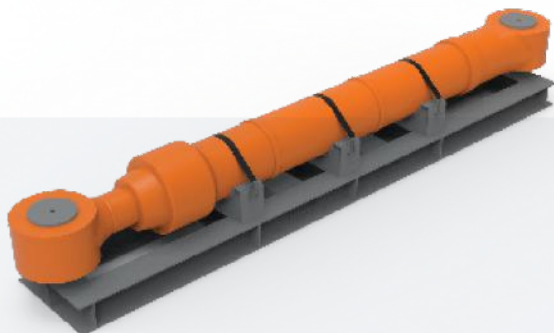


CONSTRUCTION

- Heavy-duty steel
- Hot dipped galvanised
- Allows for easy, safe transport
- Certified and compliant

HITACHI EX5500 BUCKET CYLINDER TRANSPORT FRAME

Part No. 5501994

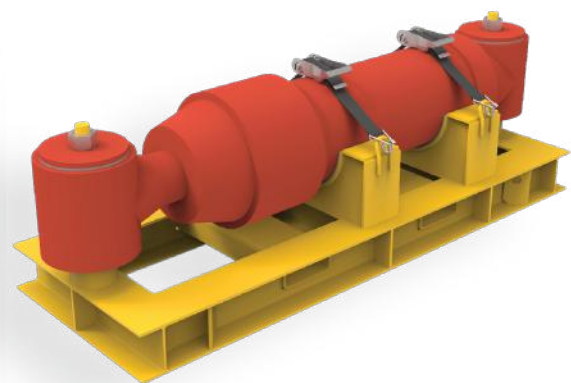


CONSTRUCTION

- Heavy-duty steel
- Hot dipped galvanised
- Allows for easy, safe transport
- Certified and compliant

HITACHI EX5500 DUMP CYLINDER TRANSPORT FRAME

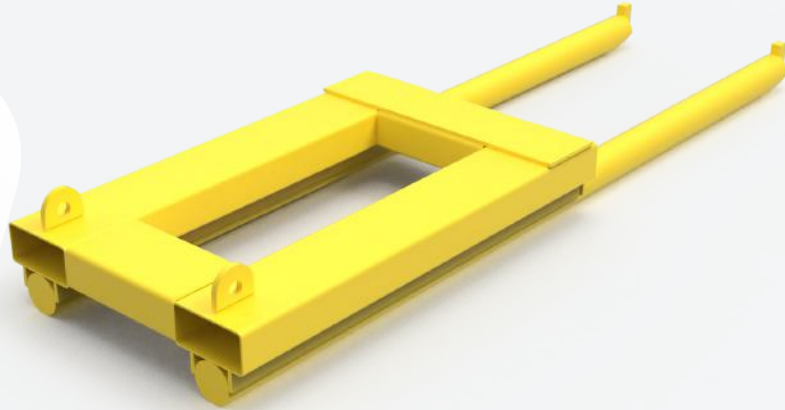
Part No. 5503664



CONSTRUCTION

- Heavy-duty steel
- WLL: 1 Tonne
- Hot dipped galvanised
- Allows for easy, safe transport
- Certified and compliant

HITACHI EX5500 EXCAVATOR



HITACHI EX5500/EX3600 LOAD ROLLER CRADLE

Part No. 5508181/5508182

Bend-tech's Load Roller Cradle is used for the removal and installation of load rollers for the Hitachi EX5500 excavator. Certified and compliant with Australian Standards.

CONSTRUCTION

- Heavy-duty steel
- Painted Y14 Golden Yellow

“ **MAKING MAINTENANCE
ON-SITE SAFE, EFFICIENT
AND EASY** ”

HITACHI EX5500/ EX5600 EXCAVATOR

HITACHI EX5500/EX5600 SLEW BEARING PLATFORM CHANGEOUT KIT

Part No. 5501259

A platform designed to access the front and back area of the slew bearing between the track. Safe, certified and compliant maintenance on both the EX5500 and EX5600.

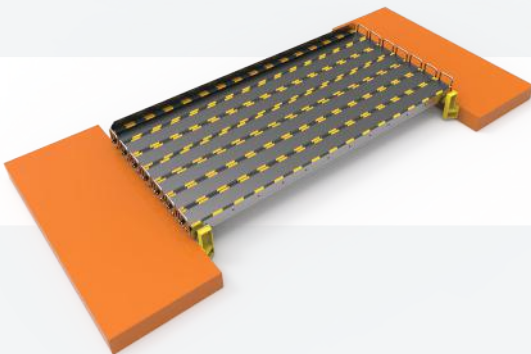
CONSTRUCTION

- Heavy-duty aluminium
- WLL: 250kg
- Height: 2300mm
- Complete with handrails
- Handrails gaps are half meshed for increased safety
- Handrails bolt on the fixed threaded blocks
- Removable handrails
- Removable platforms at front of platform



HITACHI EX5500/EX5600 BOOM HOSE PLATFORM

Part No. 5501432



CONSTRUCTION

- Heavy-duty steel
- SWL: 200kg per plank
- Length: 3010mm
- Eliminates the need for scaffold
- Permanent steel members welded to machine
- Interchangeable aluminium access planks

HITACHI EX5500/EX5600 ACCESS PLATFORM

Part No. 5501245



CONSTRUCTION

- Heavy-duty steel
- WLL: 250kg
- Height 2060mm
- Fitted with handrails that hook over tracks
- Platform sits at front of machine and handrails on edge of tracks

HITACHI EX5600 EXCAVATOR

HITACHI EX5600 TRAVEL MOTOR COVER FOLDING HANDRAILS

Part No. 5503709

Our Folding Safety Handrails provide a safe working space for the top of the Hitachi EX5600 travel motor covers. Certified and compliant with Australian Standards.

CONSTRUCTION

- Heavy-duty steel
- Mid-folding design
- Provide a safe working space for the top of the Hitachi EX5600 travel motor covers



HITACHI EX5600 ACCESS PLATFORM

Part No. 5501451

CONSTRUCTION

- Heavy-duty steel
- WLL: 250kg
- Height: 1800mm
- Wheels for ease of mobility
- Non-slip stairway and work area
- Fitted with Self-closing gate and safety handrails



HITACHI 5000EH TRUCK



A platform designed for the safe, certified and compliant access to the engine bay of the EH5000.

CONSTRUCTION

- Heavy-duty aluminium
- WLL: 250kg
- Height: 2830mm
- Non-slip stairway and work area
- Safety handrail
- Self closing gate
- Jacking stands
- Heavy duty caster wheels



HITACHI EH5000 ENGINE BAY ACCESS PLATFORM

Part No. 5501732



EPIROC / ATLAS MACHINE RANGE

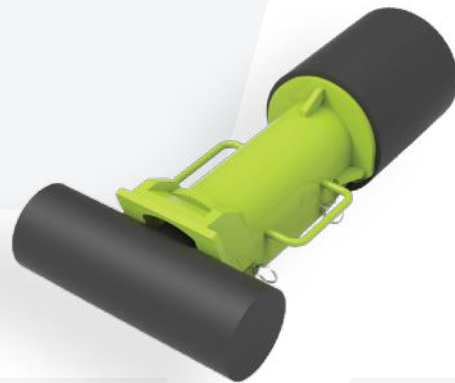
EPIROC / ATLAS D65 SURFACE DRILL

EPIROC D65 DRILL BOOM RAISE RAM CLAMP

Part No. 5503365

CONSTRUCTION

- Heavy-duty steel
- WLL: 30 Tonne
- Clamps to the boom raise cylinder when extended
- Manual handling weights of 14kg max
- Instalation time under 1 minute



EPIROC D65 CLAMP STORAGE TOOLBOX

Part No. 5504044

CONSTRUCTION

- Heavy-duty steel
- Height: 500mm
- Holds 3x Rear Jackstand Clamps (5503499) and 1x Boom Raise Clamp (5503365).
- Gas struts for lid
- Key lock with T handles
- Heavy-duty hydrocarbon resistant foam cut out
- Each tool has a specifically CNC routed cutout
- Fitted with forklift slots
- Laser cut ID plate attached to top of lid
- Specific signage and stickers available on request



EPIROC / ATLAS PV-271 BLASTHOLE DRILL

EPIROC PV-271 TRACK FRAME LIFTING JIB

Part No. 5502513

CONSTRUCTION

- Heavy-duty steel
- WLL: 9.5 Tonne
- Height: 1650mm
- Fitted with forklift slots - 1325mm c/c
- Lugs to attach frame to jib

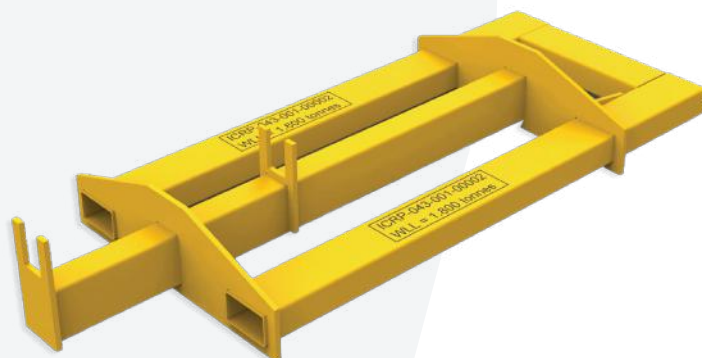


EPIROC PV-271 EQUALISER BAR LIFTING JIB

Part No. 5502514

CONSTRUCTION

- Heavy-duty steel
- WLL: 1.8 Tonne
- Length: 2870mm
- Finished in Y-14 safety yellow
- Signage attached





3 | **BIGGER
THAN
BUSINESS**



KOMATSU MACHINE RANGE

 www.bendtechgroup.com.au



KOMATSU
475A DOZER



A safe, certified and compliant access platform designed and engineered to suit accessing the engine bay of both the CAT D11 dozer and KOMATSU 475A

CONSTRUCTION

- Heavy-duty
- WLL: 250kg
- Height: 1810mm
- Large non-slip stairway and platform deck for stability and space
- Swing out gates on end of platform can be locked in place incrementally
- Self-closing gate at the top of the stairs
- Safety handrail
- Large 300mm all terrain rubber wheels
- Fitted jacking stands



KOMATSU 475A DOZER
ENGINE BAY ACCESS PLATFORM

Part No. 5501431

KOMATSU 730E DUMP TRUCK

KOMATSU 730/830/930 FRONT WHEEL CALIPER REMOVAL PLATFORM

Part No. 5503423

CONSTRUCTION

- Heavy-duty aluminium
- Non-slip stairway and work area
- Removable handrails
- Self closing gate
- Work bench on both ends for tool storage
- Adjustable jacking stands for uneven ground
- Monorail available as a manual handling upgrade
- Also suitable for the KOMASTU 830E



KOMATSU 730E FRONT ENGINE ACCESS PLATFORM

Part No. 5502481

CONSTRUCTION

- Heavy-duty aluminium
- Non-slip stairway and work area
- Fitted with heavy-duty lockable castors
- Fitted with work bench
- Also suitable for the KOMASTU 830E



KOMATSU 730E DUMP TRUCK

KOMATSU 730E OVER FUEL TANK ACCESS PLATFORM

Part No. 5501514

CONSTRUCTION

- Heavy-duty aluminium
- WLL: 350kg
- Height: 3800mm
- Non-slip stairway and work area
- Out-swinging gates and safety handrails
- Also suitable for the KOMASTU 830E



KOMATSU 730E BATTERY MAINTENANCE PLATFORM

Part No. 5502477

CONSTRUCTION

- Heavy-duty aluminium
- WLL: 150kg
- Height: 800mm
- Non-slip stairway and work area
- Fitted with heavy-duty lockable castors
- Also suitable for the KOMASTU 830E



KOMATSU 730E FRONT ENTRY ACCESS PLATFORM STAIRS

Part No. 5501721

CONSTRUCTION

- Heavy-duty aluminium
- WLL: 150kg
- Height: 800mm
- Dual self-closing gates at the rear of the platform
- Non-slip stairway and work area
- Also suitable for the KOMASTU 830E and 930E



KOMATSU 730E DUMP TRUCK

KOMATSU 730E ENGINE BAY PLATFORM

Part No. 5501231

CONSTRUCTION

- Heavy-duty aluminium
- WLL: 200kg
- Height: 580mm
- Supplied in pairs
- Extended height handrails



KOMATSU 730E ENGINE ACCESS PLATFORM

Part No. 5502934

CONSTRUCTION

- Heavy-duty aluminium
- WLL: 200kg
- Height: 1900mm
- Non-slip stairway and work area
- Safety handrails
- High quality caster wheels
- Also suitable for the KOMASTU 830E



KOMATSU 730E DUMP TRUCK

KOMATSU 730E CHASSIS STAND

Part No. 5002016



CONSTRUCTION

- Heavy-duty steel
- WLL: 100T each
- Fitted with retractable wheels

CURVED STAND ADAPTER TO SUIT KOMATSU CHASSIS STAND

Part No. 5502153

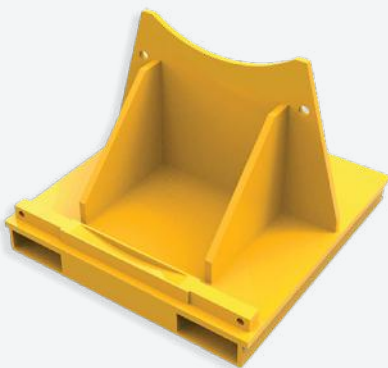


CONSTRUCTION

- Heavy-duty steel
- WLL: 100T each
- Fitted with retractable wheels

KOMATSU 730E WHEEL HUB SUPPORT FRAME

Part No. 5000105



CONSTRUCTION

- Heavy-duty steel
- WLL: 1500kg
- Lifting eyes for ease of transport
- Tie down points for stability
- Also suitable for the KOMASTU 830E

KOMATSU 730E STEERING ARM REMOVAL TOOL

Part No. 5501148



CONSTRUCTION

- Heavy-duty steel
- WLL: 400kg
- Length: 1270mm
- Designed to fix onto a scissor lift trolley
- Also suitable for the KOMASTU 830E and 930E

KOMATSU 830E DUMP TRUCK

KOMATSU 730/830/930 FRONT WHEEL CALIPER REMOVAL PLATFORM

Part No. 5503423

CONSTRUCTION

- Heavy-duty aluminium
- Non-slip stairway and work area
- Removable handrails
- Self closing gate
- Work bench on both ends for tool storage
- Adjustable jacking stands for uneven ground
- Monorail available as a manual handling upgrade
- Also suitable for the KOMASTU 830E



KOMATSU 730E FRONT ENGINE ACCESS PLATFORM

Part No. 5502481

CONSTRUCTION

- Heavy-duty aluminium
- Non-slip stairway and work area
- Fitted with heavy-duty lockable castors
- Fitted with work bench
- Also suitable for the KOMASTU 830E



KOMATSU 830E DUMP TRUCK

KOMATSU 830E ENGINE ACCESS PLATFORM

Part No. 5502934

CONSTRUCTION

- Heavy-duty aluminium
- WLL: 200kg
- Height: 1900mm
- Non-slip stairway and work area
- Safety handrails
- High quality caster wheels
- Also suitable for the KOMASTU 730E

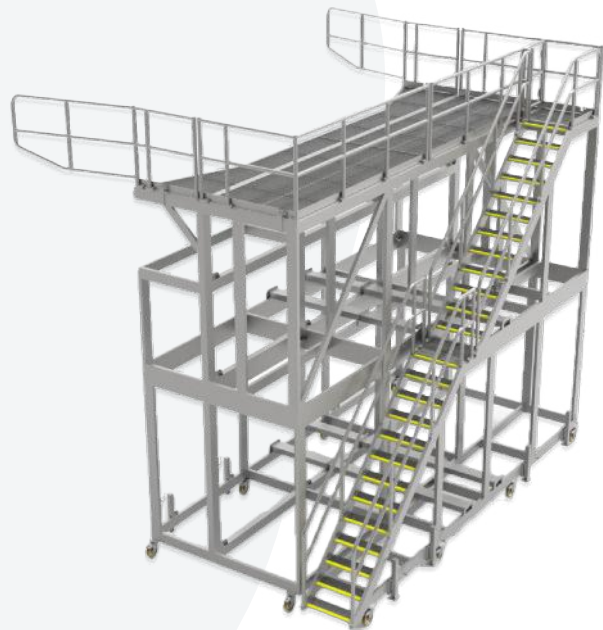


KOMATSU 830E TRAY ACCESS PLATFORM

Part No. 5504575

CONSTRUCTION

- Heavy-duty aluminium
- WLL: 150kg
- Height: 5500mm
- Fitted with swinging side handrails
- Heavy-duty castor wheels
- Jacking stands
- Certified and compliant with Australian Standards



KOMATSU 830E DUMP TRUCK

KOMATSU 830E OVER FUEL TANK ACCESS PLATFORM

Part No. 5501514

CONSTRUCTION

- Heavy-duty aluminium
- WLL: 350kg
- Height: 3800mm
- Non-slip stairway and work area
- Out-swinging gates and safety handrails
- Also suitable for the KOMASTU 730E



KOMATSU 830E BATTERY MAINTENANCE PLATFORM

Part No. 5502477

CONSTRUCTION

- Heavy-duty aluminium
- WLL: 150kg
- Height: 800mm
- Non-slip stairway and work area
- Fitted with heavy-duty lockable castors
- Also suitable for the KOMASTU 730E



KOMATSU 830E FRONT ENTRY ACCESS PLATFORM STAIRS

Part No. 5501721

CONSTRUCTION

- Heavy-duty aluminium
- WLL: 150kg
- Height: 800mm
- Dual self-closing gates at the rear of the platform
- Non-slip stairway and work area
- Also suitable for the KOMASTU 730E and 930E



KOMATSU 830E DUMP TRUCK

KOMATSU 830E ACI ENGINE MODULES PLATFORM

Part No. 5501247

CONSTRUCTION

- Heavy-duty aluminium
- WLL: 200kg
- Height: 750mm
- Access for both sides of engine
- Non-slip stairway and work area
- Safety handrails
- Self closing gates



KOMATSU 830E STRUT ACCESS PLATFORM

Part No. 5502975

CONSTRUCTION

- Heavy-duty aluminium
- WLL: 150kg
- Height: 2200mm
- Non-slip stairway and work area
- Fitted with heavy-duty lockable castors



KOMATSU 830E ENGINE BAY ACCESS PLATFORM AND LADDER

Part No. 5501793

CONSTRUCTION

- Heavy-duty aluminium
- Extended height handrails
- Complete safety when working in hard to reach areas
- Sliding access door
- Fold-down ladder



KOMATSU 830E DUMP TRUCK

KOMATSU 830E AIR FILTER ACCESS STATION PLATFORM

Part No. 5501548

Our access station allows for the safe access and inspection of the air filters on the Komatsu 830E dump trucks. Certified and compliant with Australian Standards.

CONSTRUCTION

- Heavy-duty steel
- SWL: 400kg
- Access for both sides of engine
- Non-slip stairway and work area
- Self closing gate
- Safety handrails
- Solar lights are added to the platform for extra light at night



KOMATSU 830E PLATFORM WITH LADDER LHS

Part No. 5002105



CONSTRUCTION

- Heavy-duty aluminium
- SWL: 150kg
- Height: 580mm
- Locking gates for safety
- Can be modified for tyre and truck configurations

KOMATSU 830E PLATFORM WITH LADDER RHS

Part No. 5002104



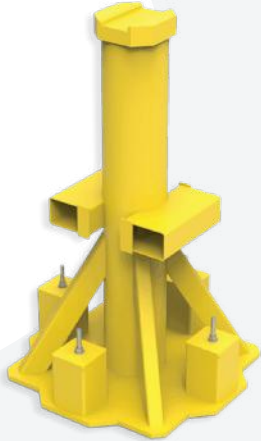
CONSTRUCTION

- Heavy-duty aluminium
- SWL: 150kg
- Height: 580mm
- Locking gates for safety
- Can be modified for tyre and truck configurations

KOMATSU 830E DUMP TRUCK

KOMATSU 730E CHASSIS STAND

Part No. 5002016

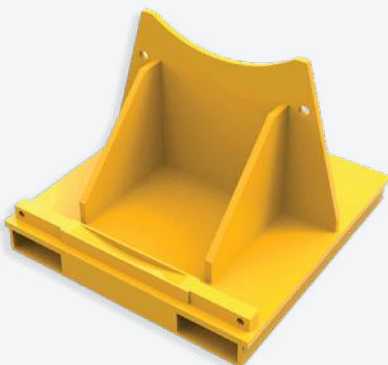


CONSTRUCTION

- Heavy-duty steel
- WLL: 100T each
- Fitted with retractable wheels
- Also suitable for the KOMASTU 830E

KOMATSU 730E WHEEL HUB SUPPORT FRAME

Part No. 5000105



CONSTRUCTION

- Heavy-duty steel
- WLL: 1500kg
- Lifting eyes for ease of transport
- Tie down points for stability
- Also suitable for the KOMASTU 830E

CURVED STAND ADAPTER TO SUIT KOMATSU CHASSIS STAND

Part No. 5502153



CONSTRUCTION

- Heavy-duty steel
- WLL: 100T each
- Fitted with retractable wheels
- Also suitable for the KOMASTU 830E

KOMATSU 730E STEERING ARM REMOVAL TOOL

Part No. 5501148



CONSTRUCTION

- Heavy-duty steel
- WLL: 400kg
- Length: 1270mm
- Designed to fit onto a scissor lift trolley
- Also suitable for the KOMASTU 830E and 930E

KOMATSU 830E DUMP TRUCK

KOMATSU 830E HYDRAULIC FILTER REMOVAL STAND

Part No. 5503477



CONSTRUCTION

- Heavy-duty steel
- WLL: 100kg
- Removable oil drain pan
- Adjustable height
- Fitted with gas struts
- Fitted with caster wheels

KOMATSU 830E OIL FILTER REMOVAL TROLLEY STAND

Part No. 5502664



CONSTRUCTION

- Heavy-duty steel
- WLL: 100kg
- Removable oil drain pan
- Adjustable height
- Gas struts
- Caster wheels for ease of movement

“ **MAKING MAINTENANCE
ON-SITE SAFE, EFFICIENT
AND EASY** ”

KOMATSU 830E DUMP TRUCK

KOMATSU 830E LIFTING JIG

Part No. 5501743



CONSTRUCTION

- Heavy-duty steel
- WLL: 500kg
- Straps fitted to hold steering accumulator in place
- Finished in Y14 Safety Yellow

KOMATSU 830E SUPPORT STAND WITH CURVED TOP

Part No. 5503126



CONSTRUCTION

- Heavy-duty steel
- WLL: 150kg
- Height: 1900mm-2020mm
- Pin at 2 separate heights
- Hydraulic cylinder with hand pump
- Also suitable for the KOMASTU 930E

KOMATSU 830E CHASSIS HANDRAIL

Part No. 5500483

CONSTRUCTION

- Heavy-duty aluminium
- Handrails bolt to the chassis rails for protection when working in the chassis area
- Aluminium construction for easy lifting in and out
- Fitted with lock bolts ensure strong fixing to the chassis



KOMATSU 930E DUMP TRUCK

KOMATSU 930E STRUT PIN ACCESS PLATFORM

Part No. 5503428

CONSTRUCTION

- Heavy-duty aluminium
- WLL: 150kg
- Height: 1470mm
- Non-slip stairway and work area
- Removable handrails on front for easy access
- Self-closing gate
- Levelling jacking stands



KOMATSU 930E FRONT ENTRY ACCESS PLATFORM STAIRS

Part No. 5501721

CONSTRUCTION

- Heavy-duty aluminium
- WLL: 150kg
- Height: 800mm
- Dual self-closing gates at the rear of the platform
- Non-slip stairway and work area
- Also suitable for the KOMASTU 730E and 830E



KOMATSU 930E DUMP TRUCK

KOMATSU 930E ENGINE ACCESS PLATFORM

Part No. 5503559

CONSTRUCTION

- Heavy-duty aluminium
- WLL: 200kg
- Height: 1900mm
- Non-slip stairway and work area
- Safety handrails



KOMATSU 930E STRUT PLATFORM

Part No. 5501773

CONSTRUCTION

- Heavy-duty aluminium
- WLL: 250kg
- Height: 2300mm
- Non-slip stairway and work area
- Removable handrails on front for easy access
- Self closing gate
- Outriggers for extra stability



KOMATSU 930E DUMP TRUCK

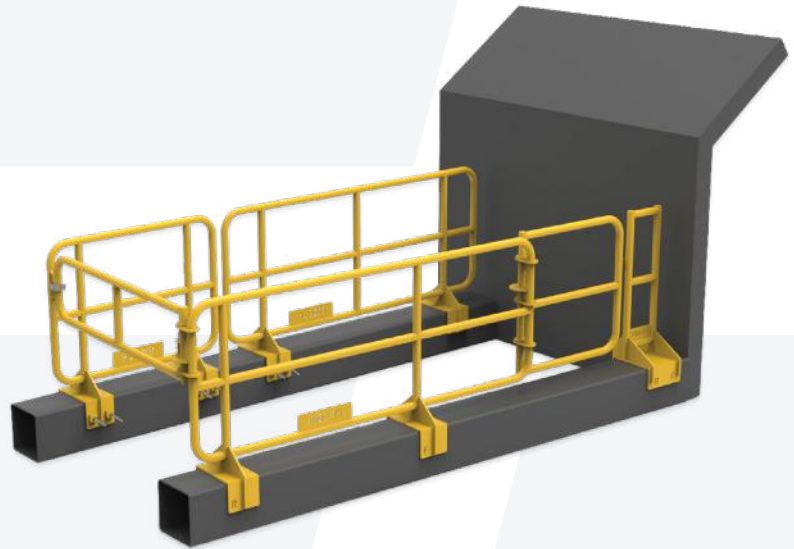
KOMATSU 930E CHASSIS HANDRAIL SET

Part No. 5501069

Komatsu 930E-4 chassis handrails designed and engineered for safe, efficient and easy maintenance.

CONSTRUCTION

- Heavy-duty aluminium
- Certified and compliant with Australian Standards
- Lightweight for easy install
- Fitted with heavy-duty fixings to lock to the chassis



KOMATSU 930E CHASSIS HANDRAIL STORAGE STAND

Part No. 5501184

CONSTRUCTION

- Heavy-duty steel
- Certified and compliant with Australian Standards
- Finished in Y14 safety yellow



KOMATSU 930E DUMP TRUCK

KOMATSU 930E STEERING ARM REMOVAL TOOL

Part No. 5501148

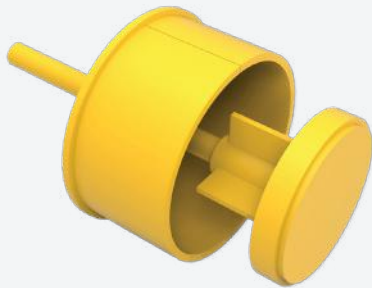


CONSTRUCTION

- Heavy-duty steel
- WLL: 400kg
- Length: 1270mm
- Finished in Y-14 safety yellow
- Designed to fix onto a scissor lift trolley
- Also suitable for the KOMASTU 730E and 830E

KOMATSU 930E HOIST CYLINDER BEARING PULLER

Part No. 5501209



CONSTRUCTION

- Heavy-duty steel
- Finished in Y14 safety yellow
- Can be customised to suit your machine

KOMATSU 930E SUPPORT STAND WITH CURVED TOP

Part No. 5503126

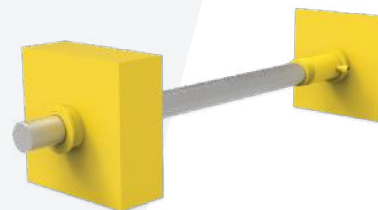


CONSTRUCTION

- Heavy-duty steel
- WLL: 150kg
- Height: 1900mm-2020mm
- Pin at 2 seperate heights
- Hydraulic cylinder with hand pump
- Also suitable for the KOMASTU 830E

KOMATSU 930E TOP HOIST PIN REMOVAL TOOL

Part No. 5503808



CONSTRUCTION

- Heavy-duty steel
- WLL: 50T
- Length: 1870mm

KOMATSU

WA900 WHEEL LOADER



Our 80 tonne boom support stands are designed and engineered to allow safe maintenance to the bucket and underneath the boom of the Komatsu WA 900 loader.

CONSTRUCTION

- Heavy-duty steel
- WLL: 80 Tonne
- Height: 3200mm
- Fitted with forklift slots
- Fitted with lifting eyes

**KOMATSU WA900
BOOM STAND 80 TONNE**
Part No. 5503994



KOMATSU WA1200 WHEEL LOADER

KOMATSU WA1200 ARTIC FRONT STRUT AREA PLATFORM

Part No. 5501638

Our access platform LH and RH set provides the safe and convenient access to the WA1200 Artic/Front Strut Area.

CONSTRUCTION

- Heavy-duty aluminium
- WLL: 250kg
- Height: 1900mm
- LH and RH configurations
- Non-slip stairway and work area
- Removable handrails on all sides for easy access
- Self-closing gate



KOMATSU WA1200 FRONT ARTIC / BOOM HOSE ACCESS

Part No. 5501039



CONSTRUCTION

- Heavy-duty aluminium
- Large industrial castors
- Non-slip stairway and work area
- Self-closing gates
- Safety handrails

KOMATSU WA1200 FRONT HATCH ACCESS PLATFORM

Part No. 5501582



CONSTRUCTION

- Heavy-duty aluminium
- WLL: 250kg
- Height: 3000mm
- Non-slip stairway and work area
- Self-closing doors
- Flip down handrails

KOMATSU WA1200 WHEEL LOADER

KOMATSU WA1200 INTERNAL TRANSMISSION AREA ACCESS PLATFORM

Part No. 5501628



CONSTRUCTION

- Heavy-duty aluminium
- Recessed lifting lugs in platform deck for crane access
- Narrow access
- For slots for efficient mobility

WA1200 BUCKET WORK PLATFORM

Part No. 5502307



CONSTRUCTION

- Heavy-duty aluminium
- WLL: 500kg
- Large industrial castors
- Non-slip stairway and work area
- Self-closing gates

KOMATSU WA1200 TREADLE ACCESS PLATFORM SET

Part No. 5502820

CONSTRUCTION

- Heavy-duty aluminium
- Height: 2260mm
- Non-slip stairway and work area
- LH and RH configurations
- Removable handrails on all sides for ease of access
- Self-closing gates



KOMATSU WA1200 WHEEL LOADER

KOMATSU WA1200 DROP-IN BUCKET PIN ACCESS PLATFORM

Part No. 5502744

An Access Platform designed and engineered to safely access the bucket pins at the front of the Komatsu WA1200 Loader.

CONSTRUCTION

- Heavy-duty steel
- WLL: 250kg
- Fitted with self-closing gates
- Designed and engineered to safely access the bucket pins at the front of the Komatsu WA1200 Loader



KOMATSU WA1200 ACCESS AND PROTECTION

Part No. 5501654



CONSTRUCTION

- Heavy-duty aluminium
- Weld on steel base plates
- Handrails thread on to steel blocks welded to WA1200
- Handrails finished in Y14 safety yellow

“ **MAKING
MAINTENANCE
ON-SITE SAFE,
EFFICIENT AND
EASY** ”

KOMATSU WA1200 WHEEL LOADER

KOMATSU WA1200 COMPLETE STAND SET Part No. 5600166

CONSTRUCTION

- Heavy-duty steel
- Includes 3 stands
- Fully engineered and certified
- Can be painted in accordance with the owner's specification

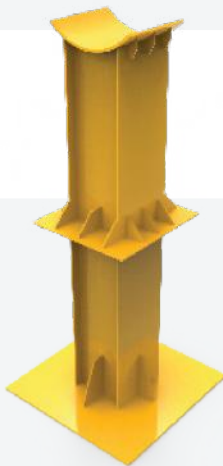


SMALL STAND
WLL: 200T
Height: 840mm

MEDIUM STAND
WLL: 200T
Height: 1130mm

LARGE STAND
WLL: 200T
Height: 1400mm

KOMATSU WA1200 TORQUE TUBE SUPPORT STAND Part No. 5000013



CONSTRUCTION

- Heavy-duty aluminium
- SWL: 80 Tonne
- Height: 3500mm or 3700mm
- Curved top
- Fully engineered and certified

80 TONNE BOOM SUPPORT STAND Part No. 5501052



CONSTRUCTION

- Heavy-duty aluminium
- SWL: 100 Tonne
- Height: 3500mm or 3700mm
- Lifting eyes for ease of transport

KOMATSU WA1200 WHEEL LOADER

KOMATSU WA1200 DRIVESHAFT WORK STAND

Part No. 5501122

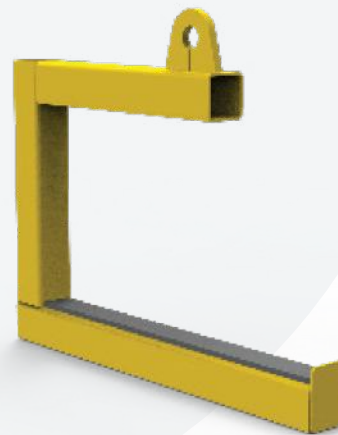


CONSTRUCTION

- Heavy-duty steel
- WLL: 300kg
- Finished in Y-14 safety yellow
- Load rings attached

KOMATSU WA1200 BUSH LIFTING TOOL

Part No. 5501693



CONSTRUCTION

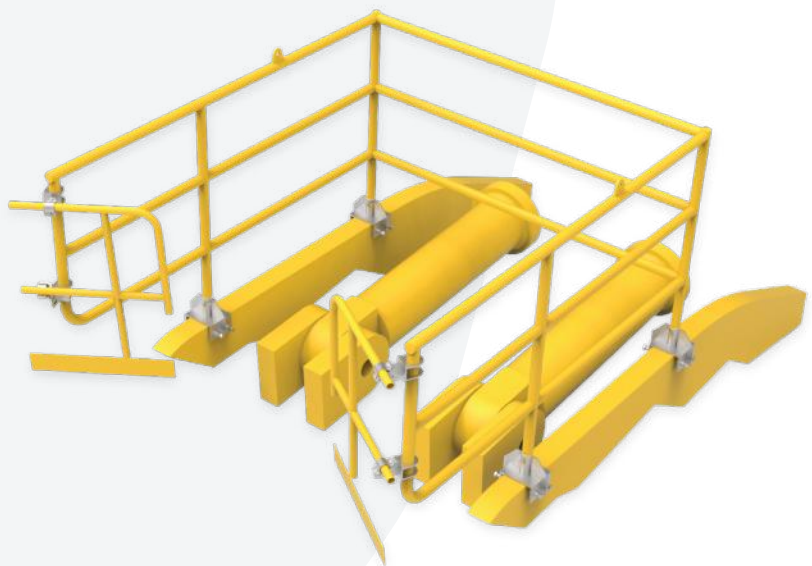
- Heavy-duty steel
- WLL: 100kg
- Finished in Y-14 safety yellow
- Rubber insertion

LOADER BOOM FALL PROTECTION

Part No. 5503681

CONSTRUCTION

- Heavy-duty aluminium
- Height: 1180mm
- Clamps to chassis with hand bolts
- Powder coated in Y-14 safety yellow
- Suits both Komatsu WA1200 and CAT 994 loaders



KOMATSU PC4000 / PC5500 EXCAVATOR

KOMATSU WA1200 TREADLE ACCESS PLATFORM SET

Part No. 5502821

CONSTRUCTION

- Heavy-duty aluminium
- WLL: 350kg
- Height: 2850mm
- Non-slip stairway and work area
- Large industrial castors and leveling jack
- Self-closing gate
- Fitted with forklift slots
- Bolt-on safety handrails



PUMP ROOM UNDERSIDE ACCESS PLATFORM

Part No. 5502859

CONSTRUCTION

- Heavy-duty steel and aluminium
- WLL: 200kg
- Non-slip stairway and work area
- Self-closing gate
- Safety handrails
- 8' x 5' trailer
- Oil drain bund inside trailer with evac point



**KOMATSU
PC4000
/ PC5500 EXCAVATOR**

**KOMATSU PC4000 AND HITACHI
EX5500 PUMP ROOM ACCESS
PLATFORM**

Part No. 5502822

CONSTRUCTION

- Heavy-duty aluminium
- WLL: 400kg
- Height: 4100mm
- Non-slip stairway and work area
- Large industrial castors and leveling jacks
- Self-closing gate
- Safety handrails





3 | **BIGGER
THAN
BUSINESS**

LETOURNEAU MACHINE RANGE

 www.bendtechgroup.com.au



LETOURNEAU L1850 WHEEL LOADER

LETOURNEAU L1850 LOWER ARTIC ACCESS PLATFORM

Part No. 5504617

CONSTRUCTION

- Heavy-duty aluminium
- WLL: 250kg
- Height: 1150mm
- Heavy-duty caster wheels
- Heavy-duty jacking stands
- Drop bar gate
- Fitted with forklift slots



LETOURNEAU L1850 RH SIDE ENGINE ACCESS PLATFORM

Part No. 5504616

CONSTRUCTION

- Heavy-duty aluminium
- WLL: 250kg
- Height: 1400mm
- Heavy-duty caster wheels
- Heavy-duty jacking stands
- Drop bar gate
- Fitted with forklift slots



LETOURNEAU L1850 HV CABINET ACCESS PLATFORM

Part No. 5504580

CONSTRUCTION

- Heavy-duty steel
- WLL: 250kg
- Height: 1400mm
- Heavy-duty caster wheels
- Heavy-duty jacking stands
- Drop bar gate
- Fitted with forklift slots



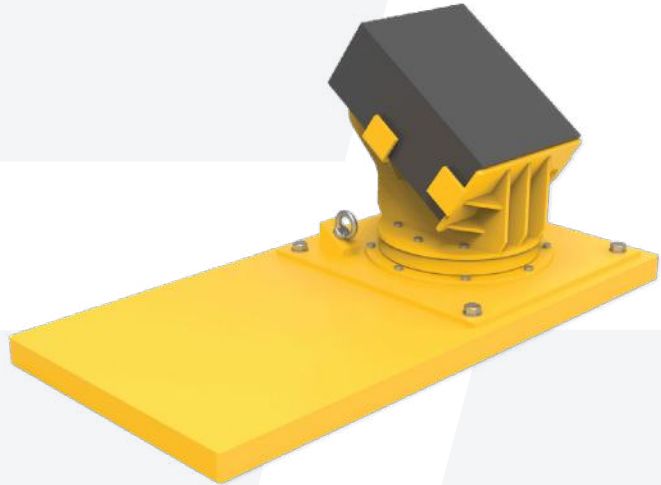
LETOURNEAU L1850 WHEEL LOADER

LETOURNEAU L1850 LIFT CYLINDER BLOCK CRADLE

Part No. 5502241

CONSTRUCTION

- Heavy-duty steel
- WLL: 200kg
- Fitted with tie-down lugs
- Mounted to a turntable for easy angle adjustment



LETOURNEAU L1850 BUCKET STAND

Part No. 5502242

CONSTRUCTION

- Heavy-duty steel
- WLL: 100 Tonne
- Height: 1050mm
- Fitted with forklift slots
- 4 x lifting lugs
- Finished in Y-14 safety yellow



LETOURNEAU L2350 WHEEL LOADER

LETOURNEAU L2350 SIDE ACCESS PLATFORM

Part No. 5501574

CONSTRUCTION

- Heavy-duty aluminium
- WLL: 250kg
- Height: 4350mm
- LH and RH configuration
- Non-slip stairway and work area
- Levelling jacks for uneven ground
- Self closing gate at top of stairs
- Removable handrails



LETOURNEAU L2350 ARTIC AREA ACCESS PLATFORM

Part No. 5501580

CONSTRUCTION

- Heavy-duty aluminium
- WLL: 250kg
- Height: 3100mm
- Heavy duty castor wheels
- Outriggers with stability jacks
- Platform bolts together in a top and bottom section
- Self-closing gate at top of stairs and boom rail at rear



LETOURNEAU L2350 WHEEL LOADER

LETOURNEAU L2350 LH CHASSIS ACCESS PLATFORM

Part No. 5501765

CONSTRUCTION

- Heavy-duty aluminium
- WLL: 250kg
- Height: 3550mm
- Slide-out handrail for extra protection
- Self closing gate
- Wide Stairway for easy access
- Heavy duty caster wheels



LETOURNEAU L2350 ARTIC SHORT ACCESS PLATFORM SET

Part No. 5502214

CONSTRUCTION

- Heavy-duty aluminium
- WLL: 150kg
- Height: 1785mm
- Non-slip stairway and work area
- Levelling jacks for uneven ground
- Self-closing gate at top of stairs
- Removable handrails



LETOURNEAU L2350 AIRCON CONDENSOR ACCESS PLATFORM

Part No. 5501891

CONSTRUCTION

- Heavy-duty steel
- Rubber on base plates for stability when on deck
- Self-closing doors
- Safety handrails



LETOURNEAU L2350 WHEEL LOADER

LETOURNEAU L2350 LH - RH STRUT REMOVAL PLATFORM

Part No. 5501735



CONSTRUCTION

- Heavy-duty aluminium
- Suits left and right hand configurations
- Stability jacks
- Removable handrails and Removable step
- Double self-closing doors

LETOURNEAU L2350 LIFT ARM STAND

Part No. 5501586



CONSTRUCTION

- Heavy-duty steel
- WLL: 200kg
- Certified and compliant with Australian Standards
- Finished in Y14 safety yellow

LETOURNEAU L2350 FRONT PIN BASE

Part No. 5501736



CONSTRUCTION

- Heavy-duty aluminium
- Fixed on the front section
- Handrails for safe access
- Certified and compliant with Australian Standards

LETOURNEAU L2350 ARTIC AREA SAFETY GATE

Part No. 5602007



CONSTRUCTION

- Heavy-duty steel
- Height: 1535mm
- Hi-spec surface treatment finish in machine colour or Kawasaki green
- Enhance personnel protection in the artic area



3 **BIGGER
THAN
BUSINESS**



LIEBHERR MACHINE RANGE

 www.bendtechgroup.com.au



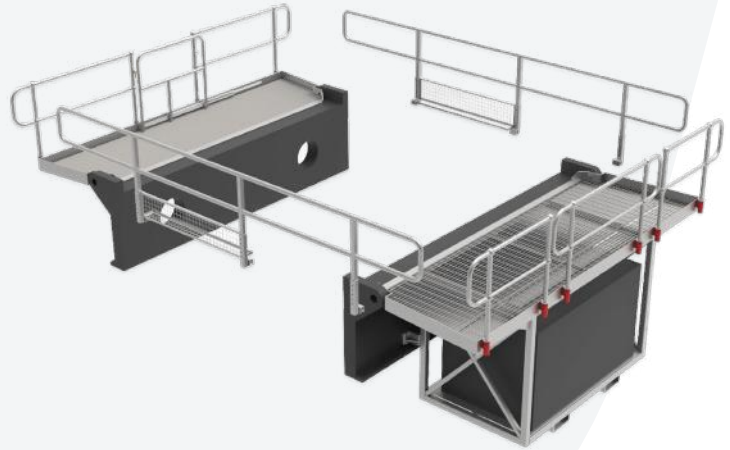
LIEBHERR 996 WHEEL LOADER

LIEBHERR 996 SLEW BEARING CHANGEOUT KIT

Part No. 5501448

CONSTRUCTION

- Heavy-duty steel
- Certified and compliant with Australian Standards
- Hot-dip galvanised



LIEBHERR 996 TRACK MOUNT ACCESS PLATFORM

Part No. 5501409

CONSTRUCTION

- Heavy-duty aluminium
- Fitted with self-closing gates
- Fitted with toolbox
- Fitted with rigging storage



LIEBHERR 996 BUCKET ACCESS PLATFORM

Part No. 5501334

CONSTRUCTION

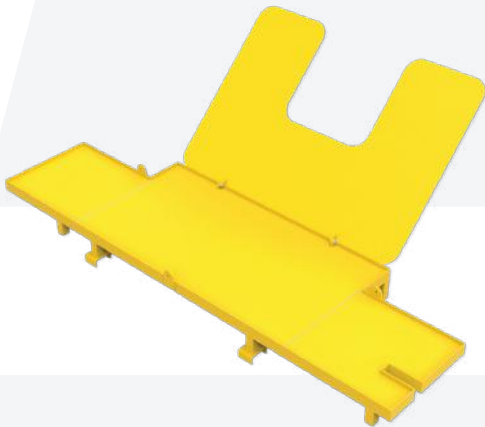
- Heavy-duty steel
- WLL: 250kg
- Fitted with self-closing gates
- Levelling jacks



LIEBHERR 996 WHEEL LOADER

LIEBHERR 996 BOOM ARCH HOSE ACCESS PLATFORM

Part No. 5501000

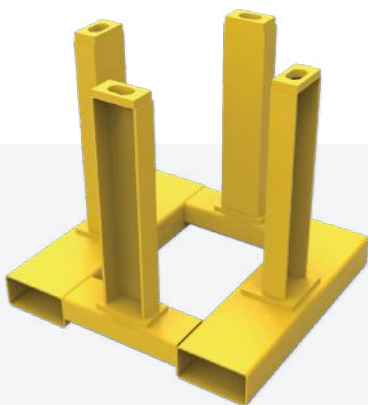


CONSTRUCTION

- Heavy-duty aluminium
- WLL: 150kg
- Finished in Y-14 safety yellow
- Splits into two halves for ease of transport and fitment

LIEBHERR 996 SLEW DRIVE STAND

Part No. 5501354



CONSTRUCTION

- Heavy-duty steel
- Height: 700mm
- Painted in Y14 safety yellow
- Fitted with forklift slots

LIEBHERR 996 ADJUSTABLE SAFETY HANDRAIL

Part No. 5501449

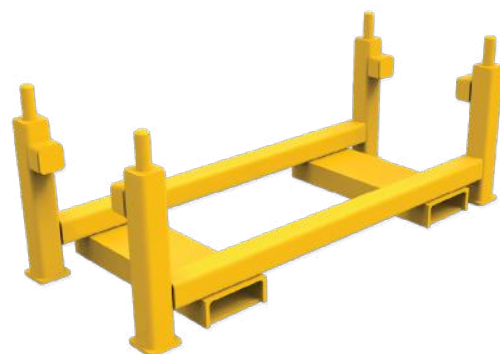


CONSTRUCTION

- Heavy-duty aluminium
- Handrails painted Y14 safety yellow
- Locking bolts in 200mm increment up to 1000mm

LIEBHERR 996 TRACK GUIDE STORAGE FRAME

Part No. 5500992



CONSTRUCTION

- Heavy-duty steel
- WLL: 1200kg (2x 600kg)
- Length: 1385mm
- Width: 595mm
- Height: 540mm
- Finished in Y-14 safety yellow

LIEBHERR 996 WHEEL LOADER

LIEBHERR 996 AIR FILTER STORAGE BOX Part No. 5503275

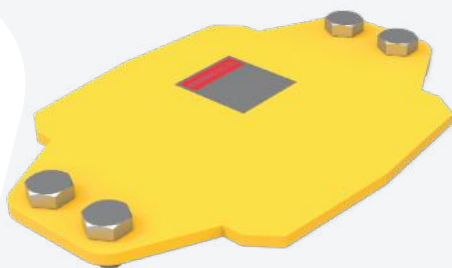
A heavy duty storage box to mount the top of the Liebherr 996 Excavator designed and engineered for the storage of spare air filters.

CONSTRUCTION

- Heavy-duty steel
- Length: 1390mm
- Width: 1310mm
- Height: 1360mm
- Fitted with 2x rubber sealed doors
- Dust and waterproof
- Pressed galvanised steel sheet construction



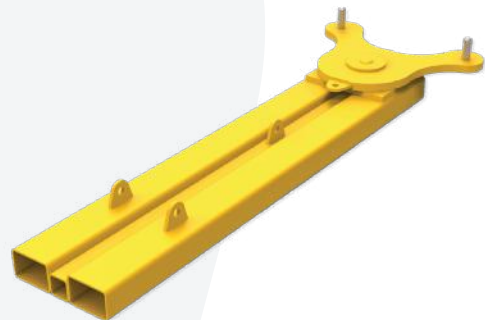
LIEBHERR 996 SLEW RING DRIVE COVER Part No. 5602063



CONSTRUCTION

- Heavy-duty steel
- Length: 352mm
- Width: 235mm
- Height: 8mm
- Certified and compliant with Australian Standards

LIEBHERR 996-9400 TRACK GUIDE LIFTING FRAME Part No. 5414105



CONSTRUCTION

- Heavy-duty steel
- WLL: 600kg
- Length: 1935mm
- Finished in Y-14 safety yellow

LIEBHERR 9400 EXCAVATOR

LIEBHERR 9400 CYLINDER PROTECTION KIT

Part No. 5503672

Our Liebherr 9400 Cylinder Protection System is designed and engineered to minimise damage of the hydraulic rams during operation. The cover is a proven design in the Pilbara, providing a cost-effective complete cover of the ram with no excess weight or operative restriction.

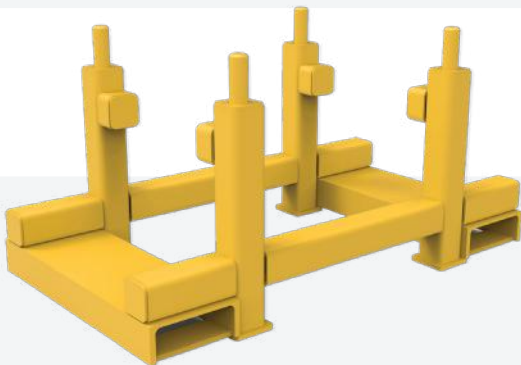
CONSTRUCTION

- Heavy-duty steel
- Extremely robust, flexible rock deflection
- Provides full cover to the ram with no excess weight or restriction
- Stocked off-the-shelf ready for despatch
- Easy to install



LIEBHERR 9400 TRACK GUIDE STAND

Part No. 5501795



CONSTRUCTION

- Heavy-duty steel
- WLL: 600kg
- Certified and compliant with Australian Standards
- Blasted and finished in Y14 safety yellow

“
**MAKING
MAINTENANCE
ON-SITE SAFE,
EFFICIENT AND
EASY**
”

VOLVO L120F WHEEL LOADER



A safe, certified and compliant access platform designed and engineered for the Volvo L120F Wheel Loader

CONSTRUCTION

- Heavy-duty aluminium
- Left and right-hand platforms for easy access on both sides of the loader
- Non-slip stairway and work area
- Safety handrails
- Overhangs for easy access
- Easy to move around the workshop while the loader is serviced
- Heavy duty caster wheels to detail



**VOLVO L120F
ACCESS PLATFORM**
Part No. 5501968

TEREX MT4400 DUMP TRUCK



A Terex MT4400 Trolley Mounted Steering Pump Removal Tool designed and engineered for safe, efficient and easy maintenance.

CONSTRUCTION

- Heavy-duty steel
- WLL: 300kg
- Length: 1000mm
- Width: 540mm
- Height: 530mm excluding trolley
- Finished in Y-14 safety yellow
- Fitted with lifting/tie down lug
- Designed to fix onto a scissor lift trolley



TEREX MT4400 TROLLEY MOUNTED STEERING PUMP REMOVAL TOOL

Part No. 5504134

WE OFFER A FULL CONSULTING, 3D SCANNING AND ENGINEERING SERVICE

Projects and the associated challenges often require custom solutions, we take pride in our CDEC system. Consultation, Design, Engineering and Construction is our holistic approach to solution development making maintenance on-site safe, efficient and easy.

CDEC PROCESS



CONSULTATION We come to you and visit your site to get a hands-on feel for your project. The aim of our consultation is to listen to and understand your requirements. If the project requires it, our 3D scanning capabilities will streamline measurement and data capture. This approach allows us to develop and discuss with you on-site, possible solutions to your problem, and the benefits we can offer.



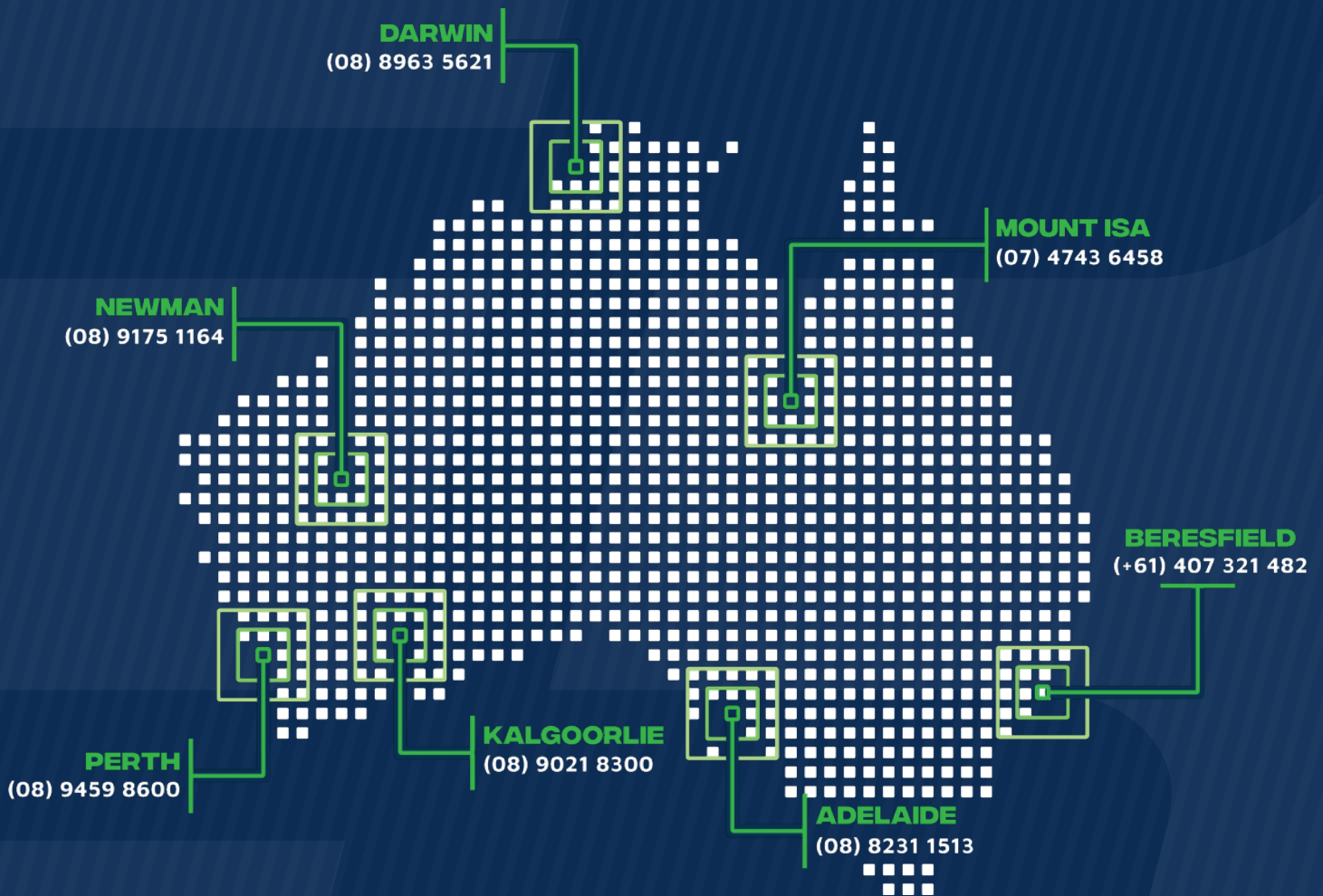
DESIGN After the consultation we go back to our design team to begin the development of your custom solution. Our team produce designs in CAD Design complete with all drafting documentation ensuring an advanced manufacturing process. Our process allows and encourages you to be involved in the design stage and collaborate with our highly skilled team.



ENGINEERING Once the design is approved, we begin the development and engineering process. This ensures that the right material is used for your project to guarantee structural and functional integrity. We provide full certification that includes WLL, load ratings, integrity reports as well as certificate plates and identifications. We design and engineer all our solutions to ensure full compliance to ensure full compliance with Australian standards.



CONSTRUCTION Finally, once the project is ready and certified for construction, we manufacture your solution. We test, machine, fabricate and surface treat as well as trial fit your custom project. We only manufacture high quality products that provide long lasting, safe and efficient solutions.



 sales@bendtechgroup.com.au

 www.bendtechgroup.com.au

