

# HIGH-CAPACITY IC PNEUMATIC



22000 - 35000 LBS.

SPECIFICATIONS



5FD100-135 | 5FDK150-160

CLASS  
5

INTERNAL COMBUSTION ENGINE PNEUMATIC TIRE

[ToyotaForklift.com](http://ToyotaForklift.com)

## HIGH-CAPACITY IC PNEUMATIC

CAPACITY  
**22000 – 35000 LBS.**

MAXIMUM FORK HEIGHT  
**240 IN.**

LOAD CENTER  
**24 IN.**

### INDUSTRIES



Agriculture



General  
Manufacturing



Intermodal/Port



Lumber



Oil & Gas



Steel/Metals

## STANDARD FEATURES

### DURABILITY

- Wet disc brakes with dedicated oil cooling system
- Air brakes with air dryer
- AxleTech® planetary drive axle
- Rigidly constructed box-type welded frame
- Engine protection system
- High cooling capacity radiator with fan shroud
- Large-capacity engine-cooling fan
- Fully oil-charged lift cylinders
- Rubber-mounted hydraulic system
- Low-maintenance battery
- Cyclone air cleaner
- Pin-type forks

### SUPPORT

- Operator Presence Sensing System (OPSS)
- Air horn
- Asbestos-free components
- Neutral engine safety switch
- Engine key stop
- Integrated overhead guard<sup>2</sup>
- Key lift interlock on hydraulics
- ORS full-suspension seat
- UL “D” conformity

### PERFORMANCE

- EPA/CARB-certified Tier 4 Final diesel engine
- HINO 7.68 liter, 6-cylinder, diesel engine (JO8E-WV)
  - Common rail electronic fuel injection
  - Turbocharged & intercooled
  - Water-cooled EGR valve
  - Quick-glow system
- Self Regenerating DPF
- Selective Catalytic Reduction System
- 24-Volt electrical system
- Automatic 2-speed transmission with a 2-stator torque converter (2 fwd./1 rev.)
- 2-function hydraulic control valve (lift & tilt)
- Upswept exhaust
- Integrated monitoring system — includes,
  - Hour meter display
  - Fuel gauge
  - Low fuel warning light
  - Engine coolant level warning light
  - Engine oil pressure warning light
  - Battery charge warning light
  - Torque converter oil temperature warning light
  - Check engine light
  - Pre-heat indicator light
  - Sediment warning light
  - Brake warning light
  - SAS warning light (synchronized steering)
  - Engine water temperature indicator
  - Speedometer
  - Brake air pressure gauge
  - Clogged air cleaner warning light
- Independent brake & inching pedals
- Full hydraulic power steering with synchronized steering
- Electronic parking brake
- Warning buzzer for parking brake (release)
- Limited wide-view free-lift 2-stage mast (V)
- Manual fork positioner (V mast only)
- Headlights
- Turn signal lights (4 lights)
- Rear combination lights
- Back-up lights
- Rear working lights (2 lights)
- Rearview mirrors (right & left sides)
- Rearview mirror
- Lifting eyes (2 mast mounted & 2 counterweight mounted, not level)
- Key off headlight & other electric components
- Locking fuel tank cap with separate key
- Load-sensing hydraulic system

### ERGONOMICS

- Left-hand shift lever
- Non-slip rubber floor mat
- Slim profile, tilt steering column
- Long operator-assisted grips
- Hydraulic seat-side pilot-type short-throw levers

### SERVICEABILITY

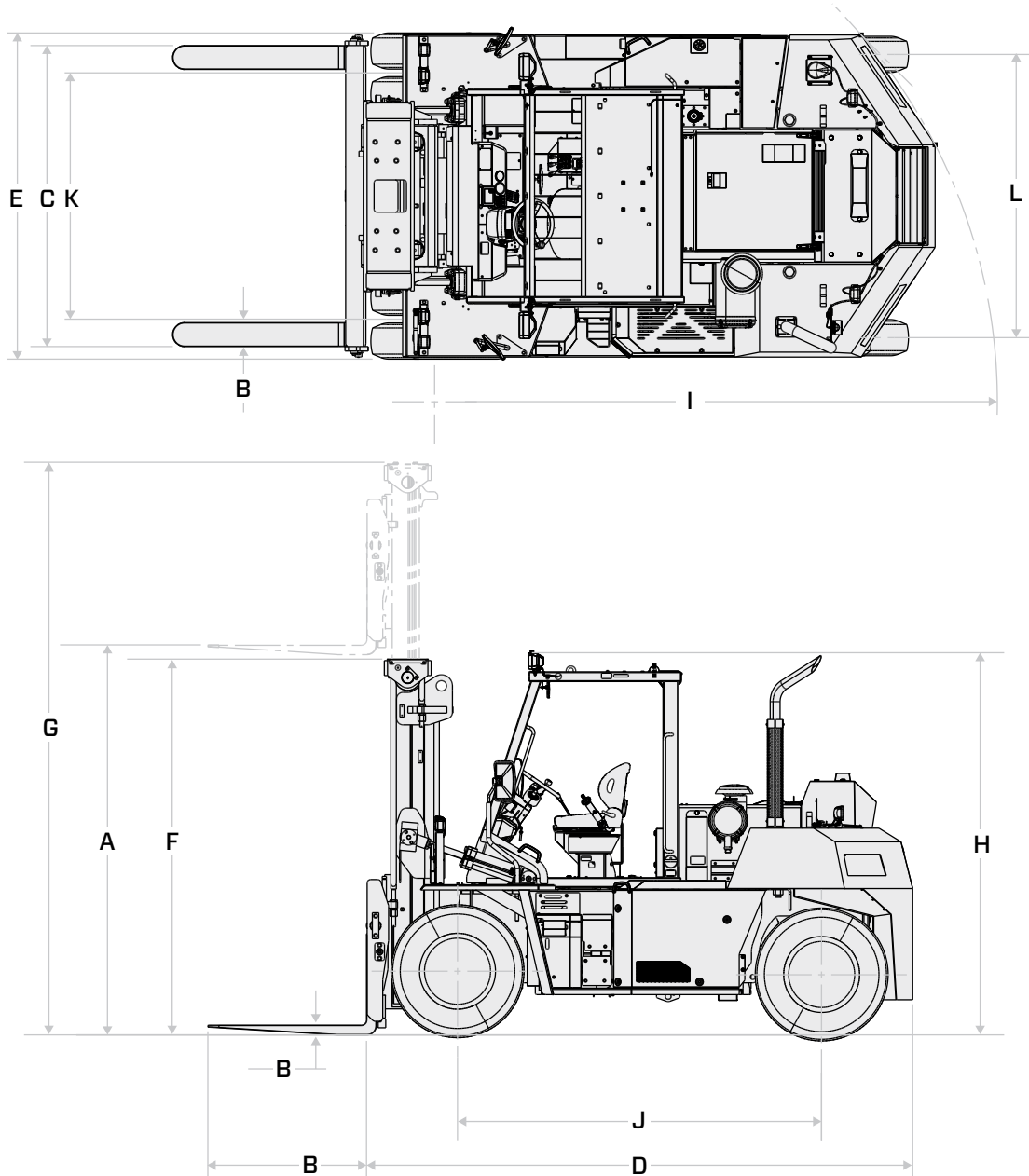
- Engine monitoring system
- All-wheel rotatable tires
- Centralized grease lubrication (mast, rear axle)
- Tilttable cabin for engine access

Please contact your local, authorized Toyota Dealer for a complete list of available options.

## OPTIONAL EQUIPMENT

- 2-speed transmission (2 fwd./2 rev.)
- Swivel seat
- Full-floating pillarless deluxe cabin
- Full-floating pillarless deluxe cabin (high mount type)
- Heater with defroster
- Air conditioner
- Overhead guard sheet
- Front windshield with wiper & washer
- Steering wheel with knob
- Window visor right-hand & left-hand
- Cyclone air cleaner (dual elements)
- Pre-cleaner
- High-capacity battery
- Engine oil quick drain
- Right-hand shift lever
- Solid tires (front & rear)
- Spare tire
- Mudguard (front & rear)
- Strobe light
- Front work light
- Reading lamp
- Read-under mirror
- Loudspeaker
- Mast tilt indicator (mechanical)
- Full wide-view free-lift 2-stage mast (FV)
- Full wide-view free-lift 3-stage mast (FSV)
- Hydraulic sideshifter
- Hydraulic fork positioner
- Hydraulic side shifting fork positioner
- LED work lights (front & rear)
- Rear view camera w/ monitor
- Reading lamp
- Rear-under mirror
- Loudspeaker
- Mast tilt indicator (mechanical)
- Special paint
- Back-up buzzer

## EXTERIOR DIMENSIONS 5FD135



TRUCK SPECIFICATIONS

MODEL NUMBERS

GENERAL DATA			SFD100	SFD115	SFD120	SFD135	
Load Capacity	lb (kg)		22000 (10000)	25000 (11500)	26000 (12000)	30000 (13500)	
Load Center	in (mm)		24 (600)	24 (600)	24 (600)	24 (600)	
Power Type			Diesel	Diesel	Diesel	Diesel	
EXTERIOR DIMENSIONS			SFD100	SFD115	SFD120	SFD135	
<b>A</b> Maximum Fork Height (top of forks)	in (mm)		121 (3075)	121.1 (3080)	121.1 (3080)	121.5 (3090)	
<b>B</b> Fork Size (T x W x L)	in (mm)		3.0 x 6.7 x 48.0 (75 x 170 x 1220)	3.1 x 7.1 x 48.0 (80 x 180 x 1220)	3.1 x 7.1 x 48.0 (80 x 180 x 1220)	3.5 x 7.1 x 48.0 (90 x 180 x 1220)	
<b>C</b> Fork Spread <sup>1</sup> (maximum / minimum)	in (mm)		84.3 (2140) / 16.5 (420)	84.3 (2140) / 17.3 (440)	84.3 (2140) / 17.3 (440)	87 (2210) / 18.1 (460)	
Tilt Range (forward / backward)	deg		6 / 12	6 / 12	6 / 12	6 / 12	
Free-Lift	in (mm)		0	0	0	0	
<b>D</b> Length to Fork Face	in (mm)		165.4 (4200)	168.1 (4270)	168.1 (4270)	180.7 (4590)	
<b>E</b> Overall Width	in (mm)		91.1 (2315)	93.9 (2385)	93.9 (2385)	95.1 (2415)	
<b>F</b> Mast Lowered Height	in (mm)		114 (2905)	115 (2920)	115 (2920)	125 (3170)	
<b>G</b> Mast Extended Height	in (mm)		173 (4405)	174 (4420)	174 (4420)	184 (4670)	
<b>H</b> Overhead Guard Height <sup>2</sup> (maximum / minimum)	in (mm)		117 (2970) / 115 (2930)	118 (2985) / 116 (2945)	118 (2985) / 116 (2945)	118 (3000) / 116.5 (2960)	
Turning Radius (outside)	in (mm)		158 (4000)	158 (4000)	158 (4000)	169 (4300)	
Load Distance <sup>3</sup>	in (mm)		27.6 (700)	28.3 (720)	28.3 (720)	29.1 (740)	
Rear Overhang			27.6 (700)	29.5 (750)	29.5 (750)	29.5 (750)	
Right-Angle Aisle Width			137 (3480)	139 (3530)	139 (3530)	144.5 (3670)	
<b>I</b> Basic Right-Angle Stacking Aisle Width <sup>4</sup>			185 (4700)	185.8 (4720)	185.8 (4720)	198.4 (5040)	
PERFORMANCE DATA			SFD100	SFD115	SFD120	SFD135	
Speeds	Maximum Travel (fwd. 1st / rev.)	Full Load	mph (km/h)	9.9 (16) / 13.7 (22)	9.9 (16) / 13.7 (22)	9.9 (16) / 13.7 (22)	9.9 (16) / 13.7 (22)
		No Load	mph (km/h)	10.6 (17) / 14.9 (24)	11.2 (18) / 15.5 (25)	11.2 (18) / 15.5 (25)	11.2 (18) / 15.5 (25)
	Maximum Travel (fwd. 2nd / rev.)	Full Load	mph (km/h)	17.4 (28) / 13.7 (22)	17.4 (28) / 13.7 (22)	17.4 (28) / 13.7 (22)	17.4 (28) / 13.7 (22)
		No Load	mph (km/h)	19.9 (32) / 14.9 (24)	20.5 (33) / 15.5 (25)	20.5 (33) / 15.5 (25)	21.1 (34) / 15.5 (25)
	Lifting (full load / no load)	fpm (mm/sec)		91 (460) / 98 (500)	89 (450) / 91 (460)	83 (420) / 98 (460)	69 (350) / 75 (380)
Lowering (full load / no load)	fpm (mm/sec)		89 (450) / 98 (500)	89 (450) / 98 (500)	89 (450) / 98 (500)	79 (400) / 89 (450)	
Drawbar Pull	Full Load	lb (kg)	24692 (11200)	24251 (11000)	24251 (11000)	23810 (10800)	
	No Load	lb (kg)	9259 (4200)	9370 (4250)	9259 (4200)	10472 (4750)	
Gradeability at 1 mph (1.5 km/h)*	%		35	30	29	26	
Maximum Gradeability (full load / no load)*	%		54 / 27	45 / 25	43 / 24	38 / 26	
TRUCK WEIGHTS			SFD100	SFD115	SFD120	SFD135	
Total Weight	lb (kg)		30247 (13720)	32628 (14800)	33665 (15270)	35693 (16190)	
Weight Distribution	Full Load (front / rear)	lb (kg)	47730 (21650) 4564 (2070)	52999 (24040) 4962 (2260)	54586 (24760) 5534 (2510)	60054 (27240) 5401 (2450)	
		No Load (front / rear)	lb (kg)	15454 (7010) 14793 (6710)	15696 (7120) 16931 (7680)	15653 (7100) 18012 (8170)	17417 (7900) 18276 (8290)
TIRES			SFD100	SFD115	SFD120	SFD135	
Tires	Number (front / rear)		4 / 2		4 / 2		
	Size	Front	in (mm)	9.00-20-14PR	10.00-20-14PR	10.00-20-14PR	
		Rear	in (mm)	9.00-20-14PR	10.00-20-14PR	10.00-20-14PR	
<b>J</b> Wheelbase	in (mm)		110 (2800)	110 (2800)	110 (2800)	122 (3100)	
<b>K / L</b> Tread Width (front / rear)	in (mm)		68.9 (1750) / 79.3 (2015)	69.5 (1765) / 78.7 (2000)	69.5 (1765) / 78.7 (2000)	69.7 (1770) / 78.3 (1990)	
Overhead Guard Clearance	in (mm)		43.3 (1100)	43.3 (1100)	43.3 (1100)	43.3 (1100)	
Counterweight Height / Drawbar Height	in (mm)		63.4 (1610) / 16.5 (420)	64.2 (1630) / 17.3 (440)	64.2 (1630) / 17.3 (440)	64.6 (1640) / 17.7 (450)	
Underclearance	Mast	in (mm)	8.1 (min) (205)	8.3 (min) (210)	8.1 (min) (205)	8.3 (min) (210)	
	Center of Wheelbase	in (mm)	11.8 (300)	12.6 (320)	12.6 (320)	13.2 (335)	
	Drive Axle / Steer Axle	in (mm)	8.5 (215) / 10.2 (260)	8.9 (225) / 10.6 (270)	8.7 (220) / 10.6 (270)	9.4 (240) / 11.4 (290)	
	Counterweight	in (mm)	11.0 (280)	11.4 (290)	11.2 (285)	11.4 (290)	
Grade Clearance (frame / counterweight)	%		54 / 55	58 / 54	58 / 54	54 / 58	
Brake	Service (foot) / Parking (hand)		Wet Disc / Drum	Wet Disc / Drum	Wet Disc / Drum	Wet Disc / Drum	
POWER SYSTEM			SFD100	SFD115	SFD120	SFD135	
Battery	Voltage / Capacity (5-hour rating)	V / Ah	24 / 83		24 / 83		
	Make / Model		HINO J08E-WV		HINO J08E-WV		
Internal Combustion Engine	Rated Horsepower @ rpm	SAE HP (kW)	168 @ 2300 (125 @ 2300)	168 @ 2300 (125 @ 2300)	168 @ 2300 (125 @ 2300)	168 @ 2300 (125 @ 2300)	
	Rated Torque @ rpm	SAE HP (kW)	406 @ 1600 (550 @ 1600)	406 @ 1600 (550 @ 1600)	406 @ 1600 (550 @ 1600)	406 @ 1600 (550 @ 1600)	
	Piston Displacement	cu in (cc)	469 (7684)		469 (7684)		
	Number of Cylinders		6		6		
	Fuel Tank Capacity	US gal (liter)	60.7 (230)	60.7 (230)	60.7 (230)	73.9 (280)	
Def Tank Capacity	US gal (liter)	5 (19)	5 (19)	5 (19)	5 (19)		
Transmission	Type		Powershift		Powershift		
	Speeds (forward / reverse)		2 / 1		2 / 1		
Auxiliary Hydraulic Function Specs. <sup>5</sup>	Max. Operating Pressure	psi (kg/cm <sup>2</sup> )	2986 (210)		2986 (210)		
	Max. Flow Rate	gpm (lpm)	26 (100)		26 (100)		

\* Computed values.

1 Outer edge to outer edge.  
2 Head guard / with cab.  
3 Centerline of front axle to front face of forks.

4 Add load length & clearance.  
5 For attachments. Values taken at Hydraulic Control Valve. Does not take into consideration losses through mast plumbing (hosing, fittings, QDs, etc.).

# TRUCK SPECIFICATIONS

## MODEL NUMBERS

GENERAL DATA			5FDK150	5FDK160	
Load Capacity	lb (kg)		33000 (15000)	35000 (16000)	
Load Center	in (mm)		24 (600)	24 (600)	
Power Type			Diesel	Diesel	
EXTERIOR DIMENSIONS			5FDK150	5FDK160	
<b>A</b> Maximum Fork Height (top of forks)	in (mm)		121.5 (3090)	121.5 (3090)	
<b>B</b> Fork Size (T x W x L)	in (mm)		3.5 x 7.1 x 48.0 (90 x 180 x 1220)	3.5 x 7.9 x 48.0 (90 x 200 x 1220)	
<b>C</b> Fork Spread <sup>1</sup> (maximum / minimum)	in (mm)		87 (2210) / 18.1 (460)	87 (2210) / 19.7 (500)	
Tilt Range (forward / backward)	deg		6 / 12	6 / 12	
Free-Lift	in (mm)		0	0	
<b>D</b> Length to Fork Face	in (mm)		181.9 (4620)	185 (4700)	
<b>E</b> Overall Width	in (mm)		95.1 (2415)	97.8 (2485)	
<b>F</b> Mast Lowered Height	in (mm)		124 (3150)	125 (3170)	
<b>G</b> Mast Extended Height	in (mm)		183 (4650)	184 (4670)	
<b>H</b> Overhead Guard Height <sup>2</sup> (maximum / minimum)	in (mm)		118.1 (3000) / 116.5 (2960)	119 (3020) / 117 (2980)	
Turning Radius (Outside)	in (mm)		169 (4300)	175 (4450)	
Load Distance <sup>3</sup>	in (mm)		29.5 (750)	29.5 (750)	
Rear Overhang			30.3 (770)	33 (850)	
Right-Angle Aisle Width			146.1 (3710)	148.8 (3780)	
<b>I</b> Basic Right-Angle Stacking Aisle Width <sup>4</sup>			198.8 (5050)	204.7 (5200)	
PERFORMANCE DATA			5FDK150	5FDK160	
Speeds	Maximum Travel (fwd. 1st / rev.)	Full Load	mph (km/h)	9.9 (16) / 13.7 (22)	10.6 (17) / 14.3 (23)
		No Load	mph (km/h)	11.2 (18) / 15.5 (25)	11.8 (19) / 16.2 (26)
	Maximum Travel (fwd. 2nd / rev.)	Full Load	mph (km/h)	17.4 (28) / 13.7 (22)	18.0 (29) / 14.3 (23)
		No Load	mph (km/h)	21.1 (34) / 15.5 (25)	21.1 (34) / 16.2 (26)
	Lifting (full load / no load)	fpm (mm/sec)		67 (340) / 69 (350)	65 (330) / 69 (350)
Lowering (full load / no load)	fpm (mm/sec)		79 (400) / 89 (450)	79 (400) / 89 (450)	
Drawbar Pull	Full Load	lb (kg)	23810 (10800)	22487 (10200)	
	No Load	lb (kg)	11685 (5300)	11464 (5200)	
Gradeability at 1 mph (1.5 km/h)*	%		27	26	
Maximum Gradeability (full load / no load)*	%		33 / 25	30 / 24	
TRUCK WEIGHTS			5FDK150	5FDK160	
Total Weight	lb (kg)		40168 (18220)	41403 (18780)	
Weight Distribution	Full Load (front / rear)	lb (kg)	66822 (30310) 6415 (2910)	69886 (31700) 6790 (3080)	
		No Load (front / rear)	lb (kg)	19357 (8780) 20812 (9440)	19246 (8730) 22156 (10050)
TIRES			5FDK150	5FDK160	
Tires	Number (front / rear)		4 / 2	4 / 2	
	Size	Front	in (mm)	11.00-20-16PR	11.00-20-18PR
		Rear	in (mm)	11.00-20-16PR	11.00-20-18PR
<b>J</b> Wheelbase	in (mm)		122 (3100)	122 (3100)	
<b>K / L</b> Tread Width (front / rear)	in (mm)		69.7 (1770) / 78.3 (1990)	70.1 (1780) / 77.8 (1975)	
Overhead Guard Clearance	in (mm)		43.3 (1100)	43.3 (1100)	
Counterweight Height / Drawbar Height	in (mm)		64.6 (1640) / 17.7 (450)	65.4 (1660) / 18.5 (470)	
Underclearance	Mast	in (mm)	8.1 (min) (205)	9.3 (min) (235)	
	Center of Wheelbase	in (mm)	13.2 (335)	14.2 (360)	
	Drive Axle / Steer Axle	in (mm)	9.3 (235) / 11.4 (290)	10.4 (265) / 12.4 (315)	
	Counterweight	in (mm)	11.4 (290)	13.2 (335)	
Grade Clearance (frame / counterweight)	%		54 / 55	59 / 53	
Brake	Service (foot) / Parking (hand)		Wet Disc / Drum	Wet Disc / Drum	
POWER SYSTEM			5FDK150	5FDK160	
Battery	Voltage / Capacity (5-hour rating)	V / Ah	24 / 83	24 / 83	
	Make / Model		HINO J08E-WV	HINO J08E-WV	
Internal Combustion Engine	Rated Horsepower @ rpm	SAE HP (kW)	168 @ 2300 (125 @ 2300)	168 @ 2300 (125 @ 2300)	
	Rated Torque @ rpm	SAE HP (kW)	406 @ 1600 (550 @ 1600)	406 @ 1600 (550 @ 1600)	
	Piston Displacement	cu in (cc)	469 (7684)	469 (7684)	
	Number of Cylinders		6	6	
	Fuel Tank Capacity	US gal (liter)	73.9 (280)	73.9 (280)	
	Def Tank Capacity	US gal (liter)	5 (19)	5 (19)	
Transmission	Type		Powershift	Powershift	
	Speeds (forward / reverse)		2 / 1	2 / 1	
Auxiliary Hydraulic Function Specs. <sup>5</sup>	Max. Operating Pressure	psi (kg/cm <sup>2</sup> )	2986 (210)	2986 (210)	
	Max. Flow Rate	gpm (lpm)	26 (100)	26 (100)	

\* Computed values.

1 Outer edge to outer edge.

2 Head guard / with cab.

3 Centerline of front axle to front face of forks.

4 Add load length & clearance.

5 For attachments. Values taken at Hydraulic Control Valve. Does not take into consideration losses through mast plumbing (hosing, fittings, QDs, etc.).

MAST SPECIFICATIONS

MAST TYPE	MAXIMUM FORK HEIGHT (TOP OF FORKS)	OVERALL HEIGHT		FREE-LIFT	DUAL TIRE				
		LOWERED	EXTENDED		TILT RANGE		LOAD CAPACITY AT		
					FWD	BWD	24 IN. (610 MM) LOAD CENTER	36 IN. (900 MM) LOAD CENTER	48 IN. (1220 MM) LOAD CENTER
in (mm)	in (mm)	in (mm)	in (mm)	deg	deg	lb (kg)	lb (kg)	lb (kg)	
<b>SFD100</b>									
Wide Visible (V)	121 (3075)	114 (2905)	173 (4405)	0	6	12	22000 (10000)	17820 (8100)	14960 (6800)
	133 (3375)	120 (3055)	185 (4705)	0	6	12	22000 (10000)	17820 (8100)	14960 (6800)
	141 (3575)	124 (3155)	193 (4905)	0	6	12	22000 (10000)	17820 (8100)	14960 (6800)
	148 (3775)	128 (3255)	201 (5105)	0	6	12	22000 (10000)	17820 (8100)	14960 (6800)
	160.5 (4075)	134 (3405)	213 (5405)	0	6	12	22000 (10000)	17820 (8100)	14960 (6800)
	180 (4575)	144 (3655)	232 (5905)	0	6	12	22000 (10000)	17820 (8100)	14960 (6800)
	199.5 (5075)	162 (4105)	260 (6605)	0	6	12	22000 (10000)	17820 (8100)	14960 (6800)
	219.5 (5575)	171 (4355)	280 (7105)	0	6	12	19800 (9000)	16060 (7300)	13420 (6100)
Full Free-Lift 2-Stage (FV)	239 (6075)	181 (4605)	299 (7605)	0	6	12	17600 (8000)	14300 (6500)	11880 (5400)
	121 (3075)	114 (2905)	173 (4405)	62 (1575)	6	12	22000 (10000)	17820 (8100)	14960 (6800)
	141 (3575)	124 (3155)	193 (4905)	72 (1825)	6	12	22000 (10000)	17820 (8100)	14960 (6800)
	160.5 (4075)	134 (3405)	213 (5405)	82 (2075)	6	12	22000 (10000)	17820 (8100)	14960 (6800)
	180 (4575)	144 (3655)	232 (5905)	92 (2325)	6	12	22000 (10000)	17820 (8100)	14960 (6800)
Full Free-Lift 3-Stage (FSV)	199.5 (5075)	162 (4105)	260 (6605)	101 (2575)	6	12	22000 (10000)	17820 (8100)	14960 (6800)
	160.5 (4075)	115 (2910)	213 (5410)	62 (1575)	6	6	19800 (9000)	16060 (7300)	13640 (6200)
	199.5 (5075)	128 (3260)	254 (6460)	74 (1875)	6	6	18040 (8200)	14740 (6700)	12320 (5600)
	239 (6075)	144 (3660)	294 (7460)	90 (2275)	6	6	15400 (7000)	12540 (5700)	10560 (4800)

MAST TYPE	MAXIMUM FORK HEIGHT (TOP OF FORKS)	OVERALL HEIGHT		FREE-LIFT	DUAL TIRE				
		LOWERED	EXTENDED		TILT RANGE		LOAD CAPACITY AT		
					FWD	BWD	24 IN. (610 MM) LOAD CENTER	36 IN. (900 MM) LOAD CENTER	48 IN. (1220 MM) LOAD CENTER
in (mm)	in (mm)	in (mm)	in (mm)	deg	deg	lb (kg)	lb (kg)	lb (kg)	
<b>SFD115</b>									
Wide Visible (V)	121 (3080)	115 (2920)	174 (4420)	0	6	12	25000 (11500)	20460 (9300)	17380 (7900)
	133 (3380)	121 (3070)	186 (4720)	0	6	12	25000 (11500)	20460 (9300)	17380 (7900)
	141 (3580)	125 (3170)	194 (4920)	0	6	12	25000 (11500)	20460 (9300)	17380 (7900)
	148 (3780)	129 (3270)	202 (5120)	0	6	12	25000 (11500)	20460 (9300)	17380 (7900)
	160.5 (4080)	135 (3420)	213 (5420)	0	6	12	25000 (11500)	20460 (9300)	17380 (7900)
	180 (4580)	144 (3670)	233 (5920)	0	6	12	25000 (11500)	20460 (9300)	17380 (7900)
	200 (5080)	162 (4120)	261 (6620)	0	6	12	25000 (11500)	20460 (9300)	17380 (7900)
	219.5 (5580)	172 (4370)	280 (7120)	0	6	12	22000 (10000)	17820 (8100)	14960 (6800)
Full Free-Lift 3-Stage (FSV)	240 (6080)	182 (4620)	300 (7620)	0	6	12	19800 (9000)	16060 (7300)	13420 (6100)
	160.5 (4080)	125 (3185)	224 (5685)	62 (1580)	6	6	23100 (10500)	18920 (8600)	15840 (7200)
	200 (5080)	139 (3535)	265 (6735)	74 (1880)	6	6	21340 (9700)	17380 (7900)	14740 (6700)
	239.5 (6080)	155 (3935)	305 (7735)	90 (2280)	6	6	18700 (8500)	15180 (6900)	12980 (5900)

MAST TYPE	MAXIMUM FORK HEIGHT (TOP OF FORKS)	OVERALL HEIGHT		FREE-LIFT	DUAL TIRE				
		LOWERED	EXTENDED		TILT RANGE		LOAD CAPACITY AT		
					FWD	BWD	24 IN. (610 MM) LOAD CENTER	36 IN. (900 MM) LOAD CENTER	48 IN. (1220 MM) LOAD CENTER
in (mm)	in (mm)	in (mm)	in (mm)	deg	deg	lb (kg)	lb (kg)	lb (kg)	
<b>SFD120</b>									
Wide Visible (V)	121 (3080)	115 (2920)	174 (4420)	0	6	12	26000 (12000)	21340 (9700)	18040 (8200)
	133 (3380)	121 (3070)	186 (4720)	0	6	12	26000 (12000)	21340 (9700)	18040 (8200)
	141 (3580)	125 (3170)	194 (4920)	0	6	12	26000 (12000)	21340 (9700)	18040 (8200)
	148 (3780)	129 (3270)	202 (5120)	0	6	12	26000 (12000)	21340 (9700)	18040 (8200)
	160.5 (4080)	135 (3420)	213 (5420)	0	6	12	26000 (12000)	21340 (9700)	18040 (8200)
	180 (4580)	144 (3670)	233 (5920)	0	6	12	26000 (12000)	21340 (9700)	18040 (8200)
	200 (5080)	162 (4120)	261 (6620)	0	6	12	26000 (12000)	21340 (9700)	18040 (8200)
	219.5 (5580)	172 (4370)	280 (7120)	0	6	12	23100 (10500)	18700 (8500)	15840 (7200)
Full Free-Lift 3-Stage (FSV)	240 (6080)	182 (4620)	300 (7620)	0	6	12	20900 (9500)	16940 (7700)	14300 (6500)
	160.5 (4080)	125 (3185)	224 (5685)	62 (1580)	6	6	24200 (11000)	19800 (9000)	16720 (7600)
	200 (5080)	139 (3535)	265 (6735)	74 (1880)	6	6	22440 (10200)	18260 (8300)	15400 (7000)
	239.5 (6080)	155 (3935)	305 (7735)	90 (2280)	6	6	19800 (9000)	16060 (7300)	13640 (6200)

# MAST SPECIFICATIONS

MAST TYPE	MAXIMUM FORK HEIGHT (TOP OF FORKS)	OVERALL HEIGHT		FREE-LIFT	DUAL TIRE				
		LOWERED	EXTENDED		TILT RANGE		LOAD CAPACITY AT		
					FWD	BWD	24 IN. (610 MM) LOAD CENTER	36 IN. (900 MM) LOAD CENTER	48 IN. (1220 MM) LOAD CENTER
in (mm)	in (mm)	in (mm)	in (mm)	deg	deg	lb (kg)	lb (kg)	lb (kg)	
<b>5FD135</b>									
Wide Visible (V)	121.5 (3090)	125 (3170)	184 (4670)	0	6	12	30000 (13500)	24200 (11000)	20460 (9300)
	133.5 (3390)	131 (3320)	196 (4970)	0	6	12	30000 (13500)	24200 (11000)	20460 (9300)
	141.5 (3590)	135 (3420)	204 (5170)	0	6	12	30000 (13500)	24200 (11000)	20460 (9300)
	148.5 (3790)	139 (3520)	211 (5370)	0	6	12	30000 (13500)	24200 (11000)	20460 (9300)
	161 (4090)	144 (3670)	223 (5670)	0	6	12	30000 (13500)	24200 (11000)	20460 (9300)
	180.5 (4590)	154 (3920)	243 (6170)	0	6	12	30000 (13500)	24200 (11000)	20460 (9300)
	200.5 (5090)	172 (4370)	270 (6870)	0	6	12	30000 (13500)	24200 (11000)	20460 (9300)
	220 (5590)	182 (4620)	290 (7370)	0	6	12	26400 (12000)	21560 (9800)	18040 (8200)
Full Free-Lift 3-Stage (FSV)	240 (6090)	192 (4870)	310 (7870)	0	6	12	24200 (11000)	19580 (8900)	16500 (7500)
	161 (4090)	126 (3200)	224 (5700)	63 (1590)	6	6	27500 (12500)	22440 (10200)	19140 (8700)
	200.5 (5090)	140 (3550)	266 (6750)	74 (1890)	6	6	25740 (11700)	21120 (9600)	17820 (8100)
	240 (6090)	156 (3950)	305 (7750)	90 (2290)	6	6	22000 (10000)	18040 (8200)	15180 (6900)

MAST TYPE	MAXIMUM FORK HEIGHT (TOP OF FORKS)	OVERALL HEIGHT		FREE-LIFT	DUAL TIRE				
		LOWERED	EXTENDED		TILT RANGE		LOAD CAPACITY AT		
					FWD	BWD	24 IN. (610 MM) LOAD CENTER	36 IN. (900 MM) LOAD CENTER	48 IN. (1220 MM) LOAD CENTER
in (mm)	in (mm)	in (mm)	in (mm)	deg	deg	lb (kg)	lb (kg)	lb (kg)	
<b>5FDK150</b>									
Wide Visible (V)	121.5 (3090)	124 (3150)	183 (4650)	0	6	12	33000 (15000)	26840 (12200)	22660 (10300)
	133.5 (3390)	130 (3300)	195 (4950)	0	6	12	33000 (15000)	26840 (12200)	22660 (10300)
	141.5 (3590)	134 (3400)	203 (5150)	0	6	12	33000 (15000)	26840 (12200)	22660 (10300)
	148.5 (3790)	138 (3500)	211 (5350)	0	6	12	33000 (15000)	26840 (12200)	22660 (10300)
	161 (4090)	144 (3650)	222 (5650)	0	6	12	33000 (15000)	26840 (12200)	22660 (10300)
	180.5 (4590)	154 (3900)	242 (6150)	0	6	12	33000 (15000)	26840 (12200)	22660 (10300)
	200.5 (5090)	171 (4350)	270 (6850)	0	6	12	33000 (15000)	26840 (12200)	22660 (10300)
	220 (5590)	181 (4600)	289 (7350)	0	6	12	29700 (13500)	24200 (11000)	20460 (9300)
	240 (6090)	191 (4850)	309 (7850)	0	6	12	26400 (12000)	21560 (9800)	18260 (8300)

MAST TYPE	MAXIMUM FORK HEIGHT (TOP OF FORKS)	OVERALL HEIGHT		FREE-LIFT	DUAL TIRE				
		LOWERED	EXTENDED		TILT RANGE		LOAD CAPACITY AT		
					FWD	BWD	24 IN. (610 MM) LOAD CENTER	36 IN. (900 MM) LOAD CENTER	48 IN. (1220 MM) LOAD CENTER
in (mm)	in (mm)	in (mm)	in (mm)	deg	deg	lb (kg)	lb (kg)	lb (kg)	
<b>5FDK160</b>									
Wide Visible (V)	121.5 (3090)	125 (3170)	184 (4670)	0	6	12	35000 (16000)	28600 (13000)	24200 (11000)
	133.5 (3390)	131 (3320)	196 (4970)	0	6	12	35000 (16000)	28600 (13000)	24200 (11000)
	141.5 (3590)	135 (3420)	204 (5170)	0	6	12	35000 (16000)	28600 (13000)	24200 (11000)
	148.5 (3790)	139 (3520)	211 (5370)	0	6	12	35000 (16000)	28600 (13000)	24200 (11000)
	161 (4090)	144 (3670)	223 (5670)	0	6	12	35000 (16000)	28600 (13000)	24200 (11000)
	180.5 (4590)	154 (3920)	243 (6170)	0	6	12	35000 (16000)	28600 (13000)	24200 (11000)
	200.5 (5090)	172 (4370)	270 (6870)	0	6	12	35000 (16000)	28600 (13000)	24200 (11000)
	220 (5590)	182 (4620)	290 (7370)	0	6	12	31900 (14500)	25960 (11800)	22000 (10000)
		240 (6090)	192 (4870)	310 (7870)	0	6	12	28600 (13000)	23320 (10600)



# “I’M HERE TO MAKE SURE YOUR FORKLIFTS DON’T TAKE VACATION DAYS.”

Butch - 360 Technician, ProLift, Cincinnati, Ohio



## HELP IS ALWAYS HERE WITH TOYOTA 360 SUPPORT.

The industry’s best and most comprehensive dealer network quickly delivers Toyota Certified Technicians to your work site. These specially-trained technicians can also help assess your warehouse and facility needs to recommend the right equipment for the job. And with the largest fleet of used and rental forklifts, Toyota 360 keeps your business running at full speed.

[ToyotaForklift.com/360-Support](http://ToyotaForklift.com/360-Support)



**YOUR BUSINESS IS RIDING ON IT.**

Some product features described herein are optional. Please consult your dealer for specifications. Details of specifications and equipment are based on information available at time of printing and may change without notice.

