

Specifications

| MODEL | TZ-50 | |
|---------------------------------------|-------------|---------|
| Measurements | US | Metric |
| Working height* | 55 ft 6 in | 16.92 m |
| Platform height | 49 ft 6 in | 15.09 m |
| Entry height | 1 ft 8 in | .51 m |
| Horizontal reach | 29 ft 2 in | 8.89 m |
| Clear outreach | 23 ft 1 in | 7.04 m |
| Up and over clearance | 22 ft | 6.71 m |
| A Platform length | 2 ft 2.8 in | .68 m |
| B Platform width | 3 ft 8 in | 1.12 m |
| C Height - stowed | 6 ft 10 in | 2.08 m |
| D Length - stowed | 23 ft 6 in | 7.16 m |
| E Width - stowed | 5 ft 6 in | 1.68 m |
| F Ground clearance - center | 10 in | .25 m |
| G Length - outrigger footprint | 14 ft 4 in | 4.37 m |
| H Width - outrigger footprint | 14 ft 4 in | 4.37 m |

Productivity

| | | |
|---|-----------------------|-----------|
| Lift capacity (ANSI, CSA) - standard | 500 lbs | 227 kg |
| Lift capacity (ANSI, CSA) - rotating platform | 500 lbs | 227 kg |
| Lift capacity (CE/AUS) - standard | 440 lbs | 200 kg |
| Lift capacity (CE/AUS) - rotating platform | 440 lbs | 200 kg |
| Jib boom | 4 ft 1 in | 1.25 m |
| Jib working range | 135° | |
| Self leveling platform | 2.5° standard | |
| Platform rotation option | 160° hydraulic | |
| AC power to platform | standard | |
| Turntable rotation | 359° non-continuous | |
| Outrigger leveling capability | 11° | |
| Drive speed | 0.85 mph | 1.37 km/h |
| Gradeability** | 20% | |
| Towing speed rate | 60 mph | 97 km/h |
| Tongue weight - ANSI, CSA | 400 lbs | 181 kg |
| Tongue weight - CE | 220 lbs | 100 kg |
| Surge and parking brakes | standard | |
| Controls | variable speed system | |
| Tires - ANSI, CSA | ST 225/75 R15 | |
| Tires - CE | 215 R14C | |
| Coupler | combination hitch | |

Power

| | |
|-----------------------------|-------------------------------------|
| Power source - standard | 24V DC (four 6V 225 Ah batteries) |
| Power source - drive option | 24V DC (four 6V 244 Ah batteries) |
| Power source - option | Hybrid DC/Gas Honda 5.5 hp (4.1 kW) |
| Fuel tank capacity | .95 gal 3.6 L |
| Hydraulic tank capacity | 4.75 gal 18 L |
| Hydraulic system capacity | 8.0 gal 30 L |

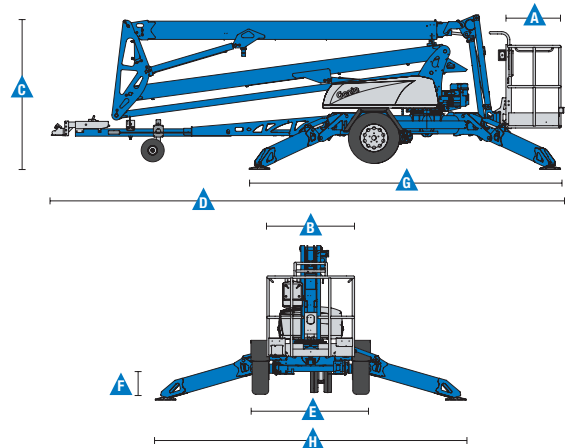
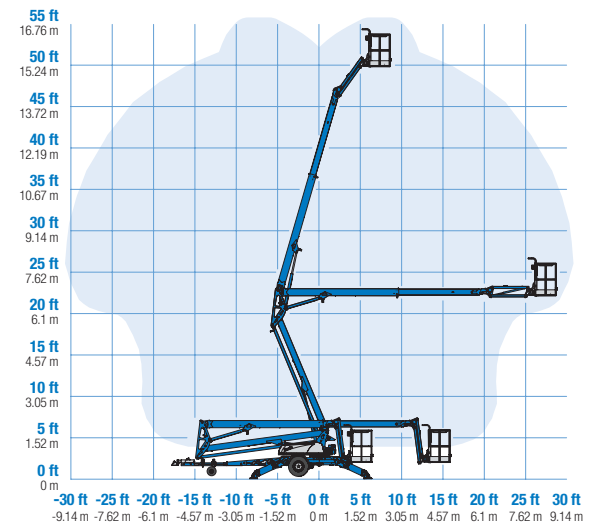
Weight***

| | | |
|----------------------|-----------|----------|
| ANSI, CSA, Australia | 4,400 lbs | 1,996 kg |
| CE | 4,475 lbs | 2,030 kg |

Standards Compliance

ANSI A92.2, CSA C225, EN 280, AS 1418.10

Range Of Motion TZ-50



* The metric equivalent of working height adds 2 m to platform height. U.S. adds 6 ft to platform height.

** Gradeability applies to driving on slopes. See operator's manual for details regarding slope ratings.

*** Weight will vary depending on options and/or country standards.

Features

Standard Features

Measurements

- 55 ft 6 in (17.09 m) working height
- 29 ft 2 in (8.89 m) horizontal reach
- Up to 500 lbs (227 kg) lift capacity

Productivity

- Industry leading working envelope
- Extension boom
- Self-leveling platform
- 4 ft jib with 135° working range
- AC wiring to platform
- Hydraulic outriggers
- Automatic 11° leveling system
- Outrigger interlocks
- Mechanical parking brake
- Hydraulic surge brakes
- Adjustable hitch with coupler lever lock
- Dual jockey wheels
- 359° non-continuous turntable rotation
- Easy to access batteries
- Hour meter
- Tilt alarm / sensor
- Illuminated outrigger indicators
- Highway safety chains with snap hook
- LED brake lights (ANSI, CSA)

Power

- 24V DC power source (four 6V 225 Ah batteries)

Configurations

Platform Options

- Aluminum 26.8 x 44 in (.68 x 1.12 m)
- 160° hydraulic platform rotation

Power Options

- 24V DC power source
- Hybrid Honda 5.5 Hp (4.1 Kw) 45 amp charging system

Drive

- Drive and set option (ANSI, CSA, AUS)
- Drive only (CE)

Coupler Options

Adjustable hitch

- 2 in (5.08 cm) ball coupler
- 2 5/16 in (5.87 cm) ball coupler
- 2 1/2 in (6.53 cm) I.D. pintle ring coupler
- Clevis coupler

Tire Options

- ST 225/75 R15 tires (ANSI, CSA)
- 215 R14C tires (CE)

Options & Accessories

Productivity

- 160° hydraulic platform rotation
- Drive and set option
- Wheel chocks
- Fluorescent tube caddy
- Full size spare tire
- Flashing beacon
- Non-marking outrigger footpads
- Battery charge indicator (BCI)
- Tool tray
- Horn
- High capacity battery
- Ladder option (CE and AUS only)

Power

- Hybrid Honda 5.5 Hp (4.1 Kw) 45 amp charging system option



Genie United States

6464 185th Ave. NE
Redmond, WA 98052
Telephone +1 (425) 881-1800
Toll Free in USA/Canada +1 (800)-536-1800
Fax +1 (425) 883-3475

Distributed By:

