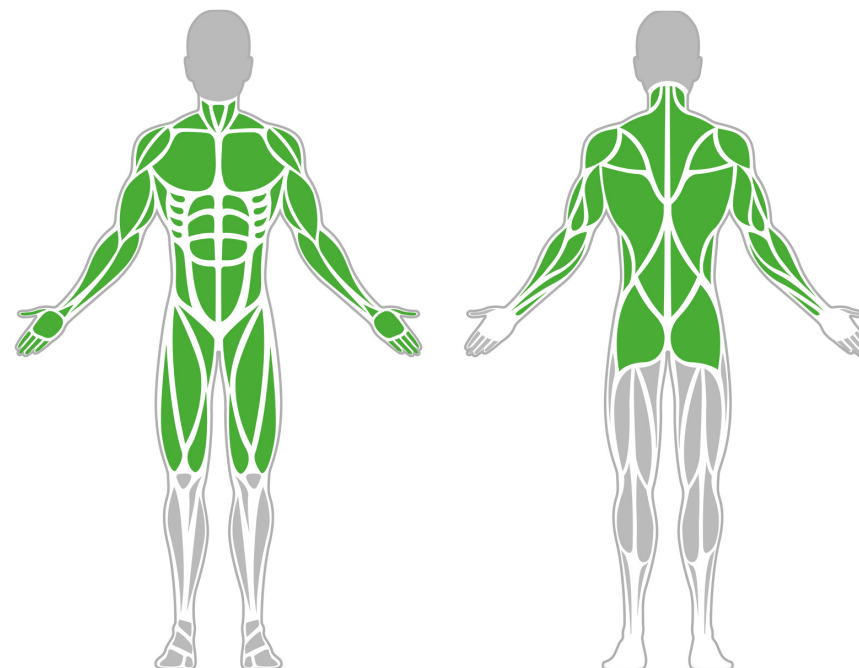




## Muscle Groups Focus



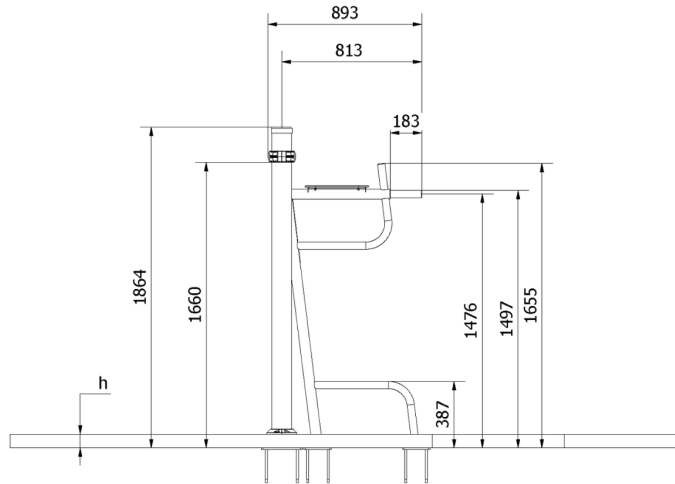
### Multifunctional Trainer 1500 - Lite

The multifunctional trainer is a versatile piece of workout equipment that allows for leg raises, knee raises, and dips with the front handles of the element. This versatility makes this element the perfect choice for those people who are looking for complex outdoor training equipment for the home.

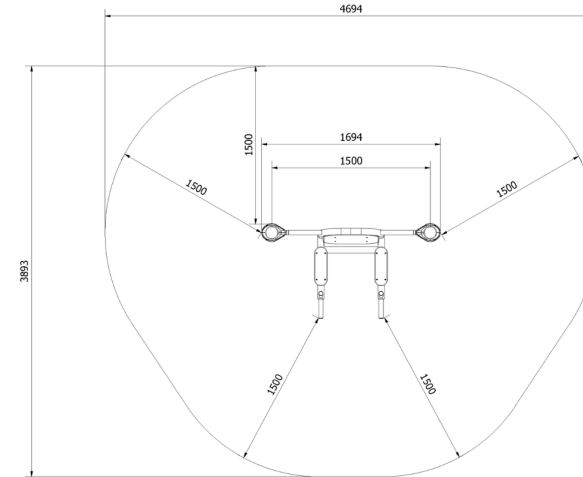
### Attributes

Product code	1-1-711
Certificate	EN 16630
Age group	14 + years
Capacity	1 person
Max. weight load	99 kg
Type	Fitness
Difficulty level	Medium

## Side View



## Plan View



## Installation information

Number of installers (concrete)	At least 2 people
Total installation time (concrete)	60-120 min.
Number of installers (equipment)	At least 2 people
Total installation time (equipment)	30-60 min.
Excavation volume	1.05 m <sup>3</sup>
Concrete volume	1.05 m <sup>3</sup>
Size of the base structure	1,5 x 2 x 0,35 m
Anchoring options	In-ground or surface
In combined structures, the volume of concrete required varies.	

## Technical specification

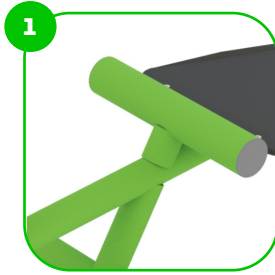
Safety surface area	Around 1,5 m radius
Net weight	65 kg
Material	S235
Critic fall height	1370 mm
Color options	

For more color options, discuss with your sales representative.

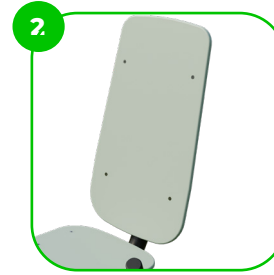
## Warranty

Structure	25-15 years
Steel	5-10 years
Paint	2 years
Plastic	5-10 years
Rubber	1-3 years
Moving parts	2 years
Detailed information in the warranty document	

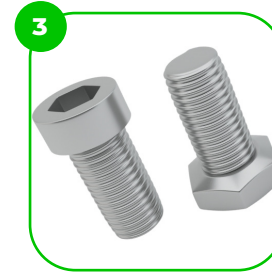
# Material specification



The element is made of high quality S235 steel, which has been cleaned via sandblasting. A corrosion resistant powder coating finish is then applied. Also available with galvanized surface for even greater protection and longevity!



The seats and backrests are made of strong HDPE material. Which is fully heat, moisture and UV resistant.



The connecting elements are fastened with vandal-proof stainless steel screws and nuts.



The ends of the bars and posts are sealed with injection-moulded plastic caps.



The plastic clamp system allows for easy assembly and extreme stability.

# BESTRONG

 [bestrongworld](#)  [bestrongworld](#)  [global.bestrong.com](#)  [info@bestrong.com](mailto:info@bestrong.com)

