

# **C-SERIES** **C5,000-C6,000** **Compact**

# **COMBiLiFT**

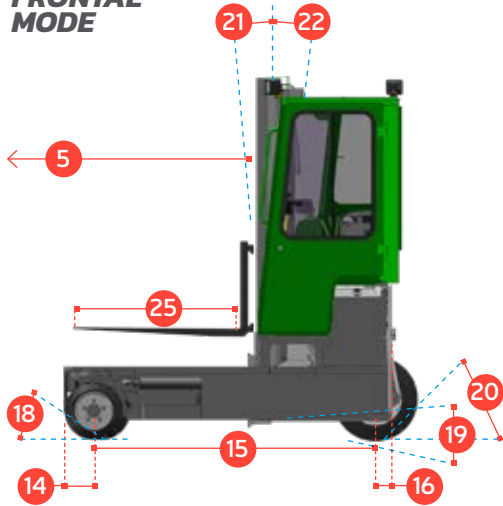
**LIFTING INNOVATION**

The multi-directional forklift designed for the safe, space saving and productive handling of long and bulky loads.

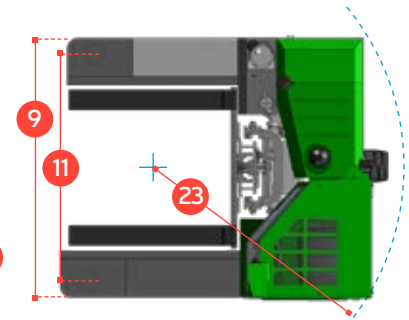
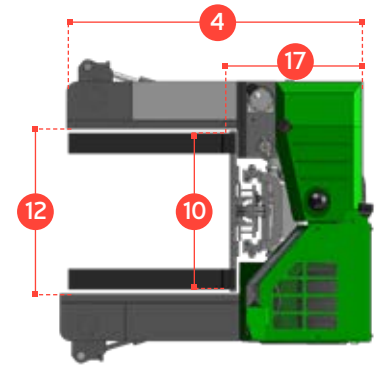
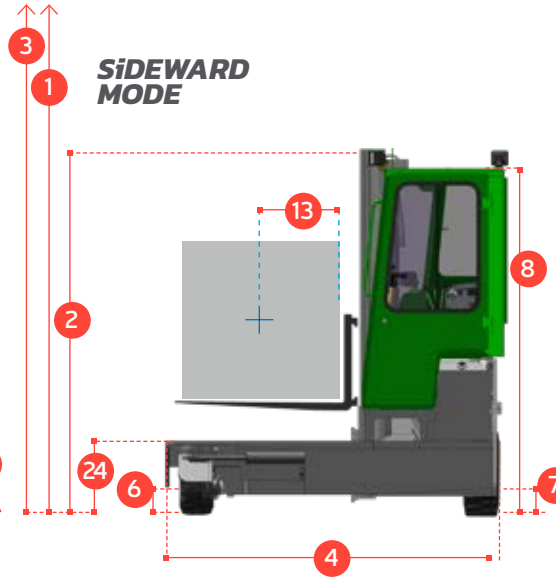


# C-SERIES C5000-C6000 Compact

**FRONTAL  
MODE**



**SI DEWARD  
MODE**



| REF. | DESCRIPTION                          | C5000      | C6000             |
|------|--------------------------------------|------------|-------------------|
| 1a   | Standard Lift Height                 |            | 159"              |
| 1b   | Free Lift Height                     |            | 0"                |
| 2    | Height Mast Closed                   |            | 104"              |
| 3    | Max. (Mast Raised)                   |            | 188"              |
| 4    | Overall Length                       | 75"        | 89"               |
| 5    | Mast Travel                          | 33½"       | 47½"              |
| 6    | Ground Clearance Under Mast          |            | 6"                |
| 7    | Ground Clearance to Wheelbase Center |            | 5"                |
| 8    | Height Over Cab or of Overhead Guard |            | 92"               |
| 9    | Width                                |            | 76"               |
| 10   | Outside Spread of Fork Arms          |            | 47"               |
| 11   | Track Front                          |            | 68"               |
| 12   | Frame Opening                        |            | 48"               |
| 13   | Load Center Distance                 |            | 24"               |
| 14   | Overhang Front                       |            | 8"                |
| 15   | Wheel Base                           | 60"        | 74"               |
| 16   | Overhang Back                        |            | 7"                |
| 17   | Length from Face of Fork             |            | 43½"              |
| 18   | Approach Angle                       |            | 45°               |
| 19   | Ramp Angle                           |            | 17°               |
| 20   | Departure Angle                      |            | 45°               |
| 21   | Forward Tilt                         |            | 2°                |
| 22   | Backward Tilt                        |            | 4°                |
| 23   | Minimum Outside Radius               | 75"        | 87"               |
| 24   | Platform Height                      |            | 19½"              |
| 25   | Platform Length                      | 31½"       | 45¼"              |
| A    | Capacity                             | 5000 lbs   | 6000 lbs          |
| B    | Unladen Weight                       | 10,350 lbs | 10,800 lbs        |
| C    | Maximum Ground Speed                 |            | 9 mph             |
| D    | Gradeability                         |            | 10%               |
| E    | GM 3L Tier 4 LPG                     |            | 65 HP             |
| F    | Electrics                            |            | 12 Volt           |
| G    | Fork Sections 2" x 6" x              | 31½"       | 45¼"              |
| H    | 16 x 7 - 10.5 Front Tire             |            | OD 16"/ Width 7"  |
| I    | 23 x 10 - 12 Rear Tire               |            | OD 23"/ Width 10" |
| J    | Standard Color                       |            | Green and Gray    |
| K    | Suspension Seat                      |            | KAB Model 116     |

## Multi-Directional



## Features Include:

- Rubber Mounted Half Open Cabin
- Multi-Direction Operation
- 3 Wheel Hydrostatic Drive
- Load Sensing Steering
- 4 Way Lever Positioning of Wheels
- Hydraulic Oil Cooler

## Distributed by:

European Patent No. 2167416; Brazilian Patent No. P10811954-6; Australian Patent No. 2008253242

COMBILIFT HAS A POLICY OF CONTINUOUS PRODUCT DEVELOPMENT AND RESERVES THE RIGHT TO ALTER SPECIFICATIONS WITHOUT PRIOR NOTICE. SPECIFICATIONS AND/OR DIMENSIONS MAY VARY FROM THOSE ILLUSTRATED IN SOME COUNTRIES.

303 CONCORD STREET,  
GREENSBORO,  
NORTH CAROLINA 27406

TOLL FREE: 1-877 COMBI 56  
TEL: 336-378-8884  
INFO@COMBILIFT.COM

**combilift.com**

