



PRODUCT CATALOG

Experts in Marine Lighting





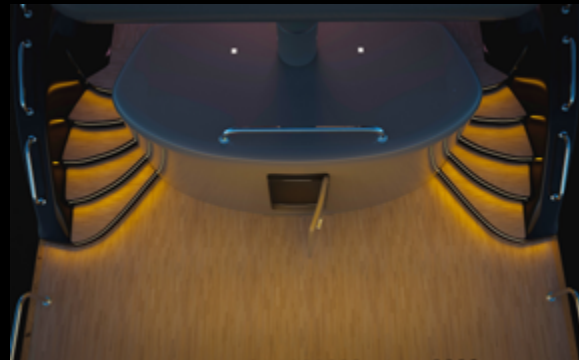
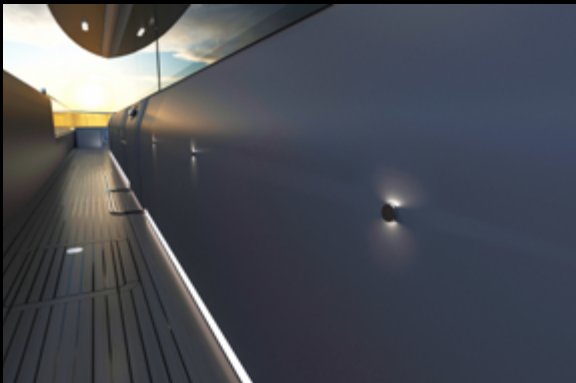
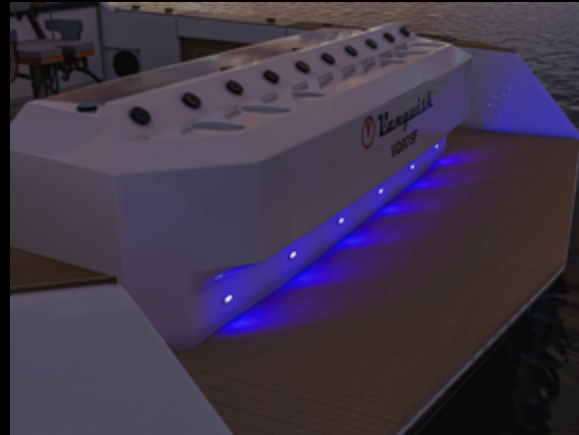
Large Quantity and

K2 Lighting offers custom marine LED lighting solutions for yachts, fishing boats, and commercial vessels. Their products are designed for durability, energy efficiency, and performance in harsh marine conditions. Services include consultation, prototyping, and installation support to enhance safety, visibility, and aesthetics.

For more details, visit [K2 Lighting's Custom Marine LED Lighting Solutions](#).



Custom Marine Designs





Collections

1.- The Vista Series



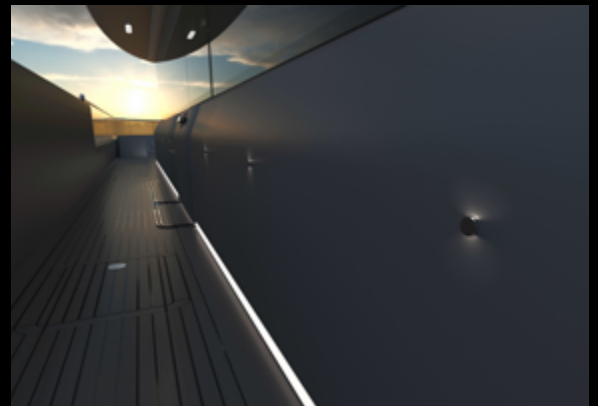
2.- The Sol Collection



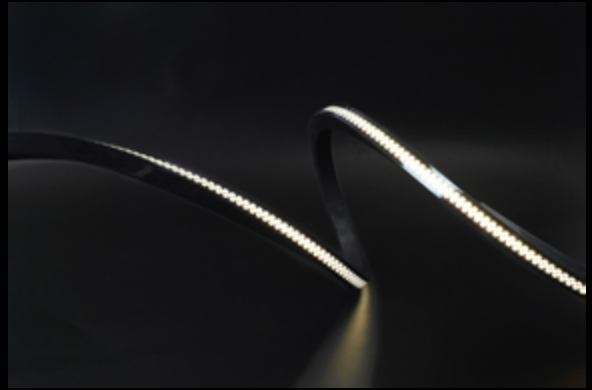
3.- The Bravo Series



4.- Courtesy lighting



5.- Strip lighting



6.- Cabinet Lighting



7.- Engine Room lights

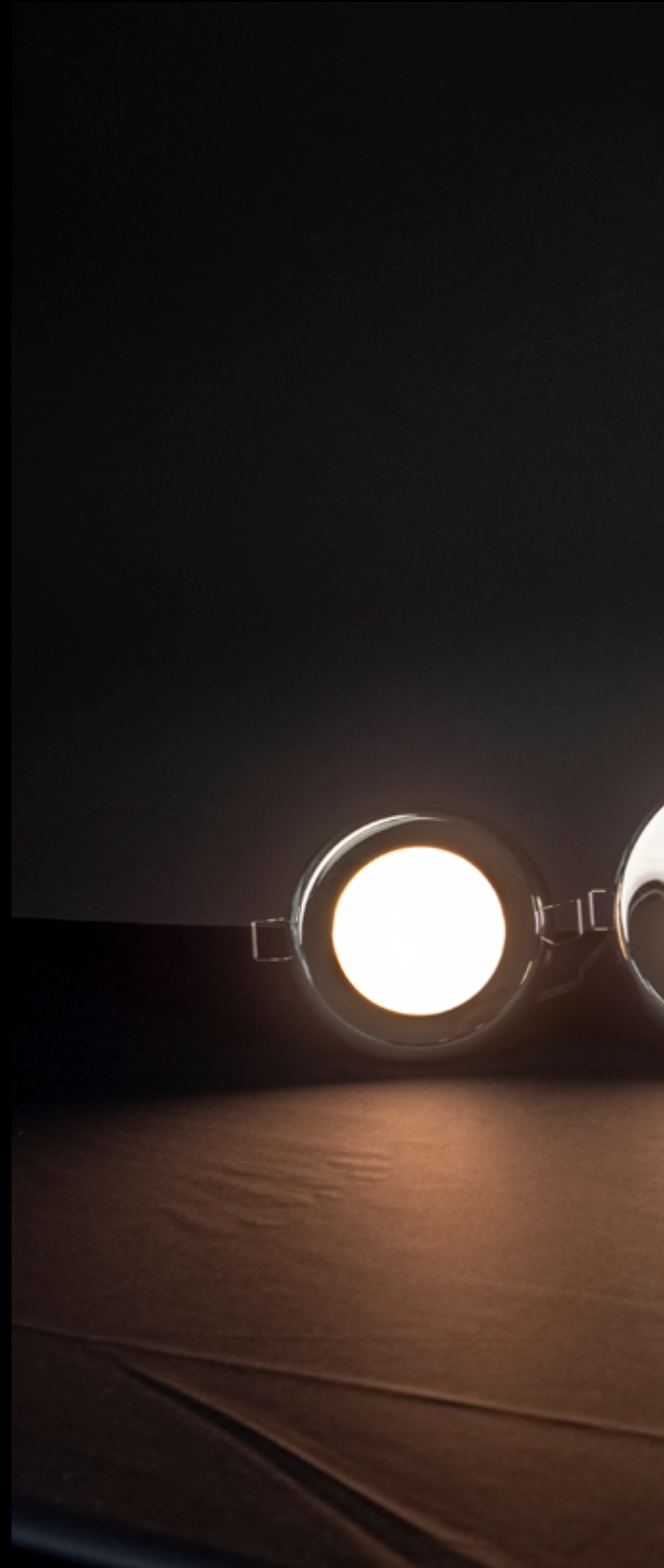


8.- Recessed Spotlight



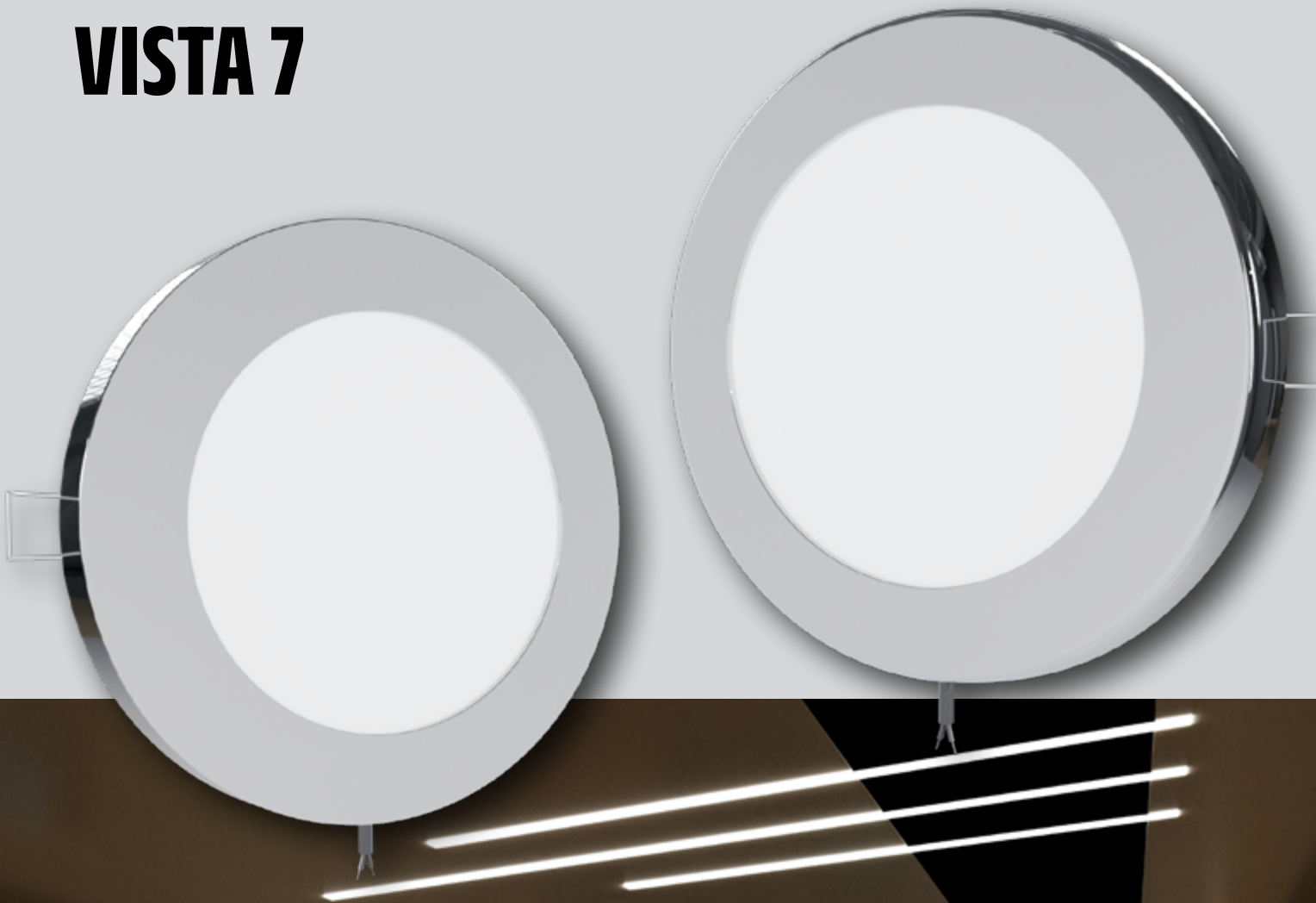
The Vista Series

This collection includes models like the 7-inch Vista 7 Series, the 6-inch Vista 6 RBW CCT Multi-Input, and smaller models down to 4 inches, all featuring multiple configuration options. These lights offer user-selectable color temperatures and RGB color modes, with IP44 or IP65 ratings for both indoor and outdoor use. Each model is ETL certified, ensuring reliability and a robust design suitable for harsh marine environments. With options like stainless steel trims in various finishes and low-profile designs, they are ideal for any marine lighting need, delivering impressive lumen outputs and efficient power consumption.



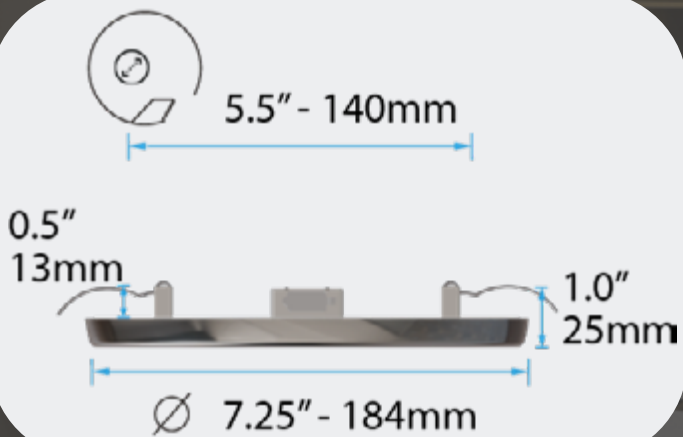


VISTA 7



7 Inch Recessed LED Light

Size:



Trim options:

- 316 Polished SS
Modern bevel
- 316 Polished SS
Classic bevel
- Powder coated White
Modern bevel
- Powder coated White
Classic bevel






Features


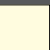
- Input: 10-30 VDC
- Power Consumption: W=12W
- CRI: 90+
- IP rating: IP44 or IP65
- 720 Lumens
- ETL Certified

Versions:

- CCT

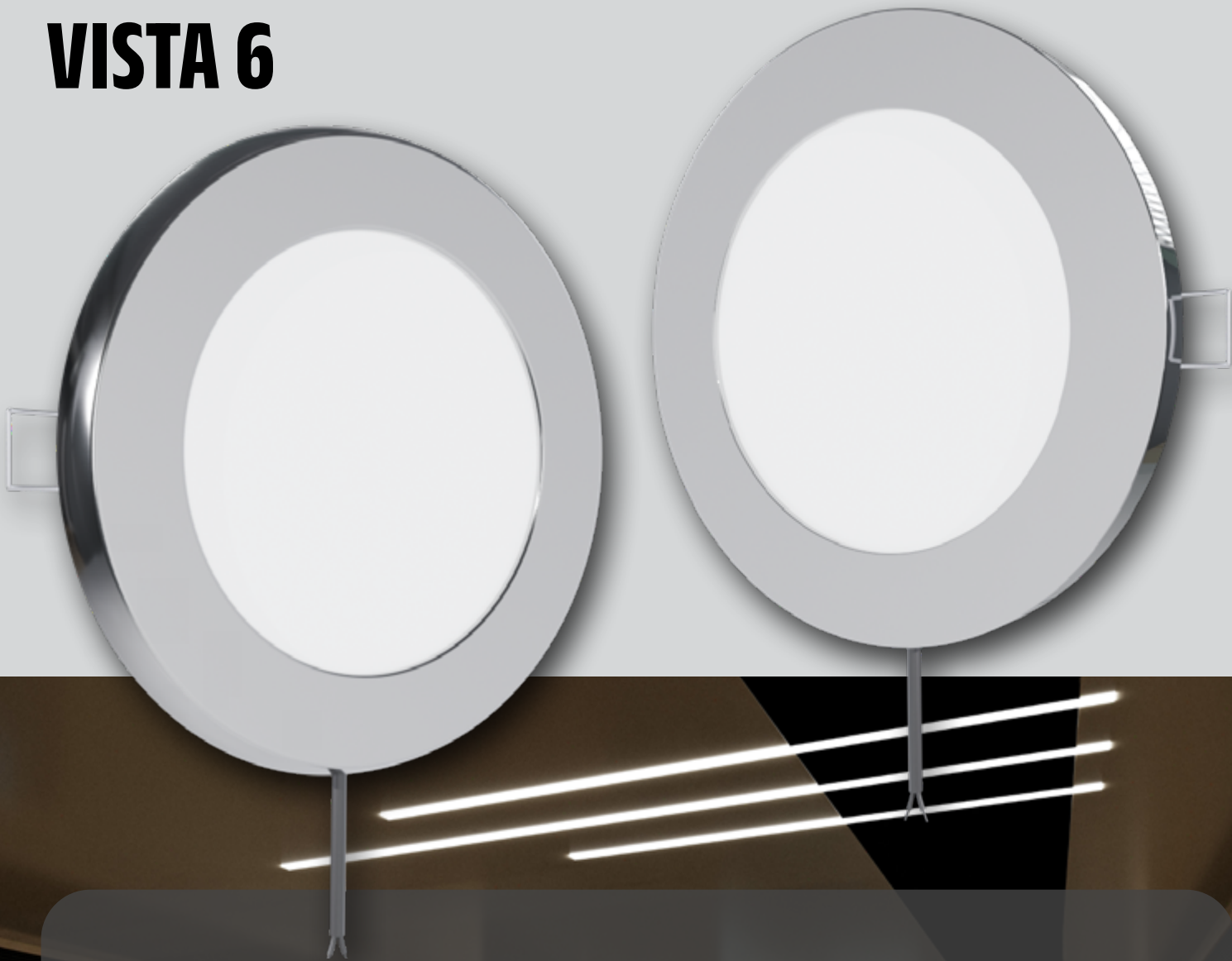
-  3000K Warm White
-  4000K Cool White
-  5000K Daylight

- RBW

-  Red
-  Blue
-  White

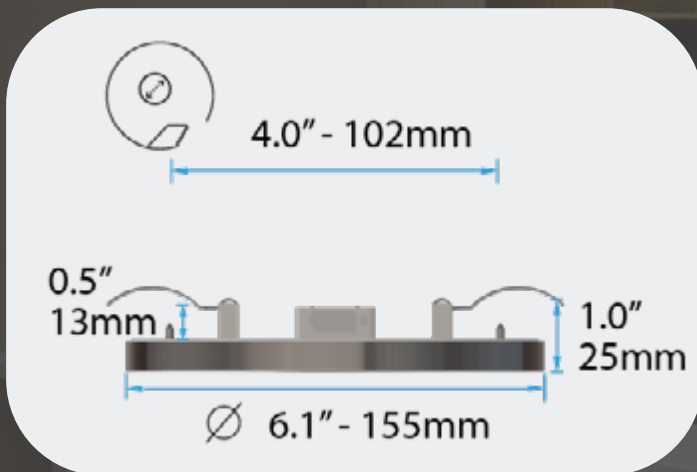


VISTA 6



6 Inch Recessed LED Light

Size:



Trim options:

- 316 Polished SS Modern bevel
- 316 Polished SS Classic bevel
- Powder coated White Modern bevel
- Powder coated White Classic bevel






Features




- Input: 10-30 VDC
- Power Consumption: W=9W
- CRI: 90+
- IP rating: IP44 or IP65
- 540 Lumens
- ETL Certified

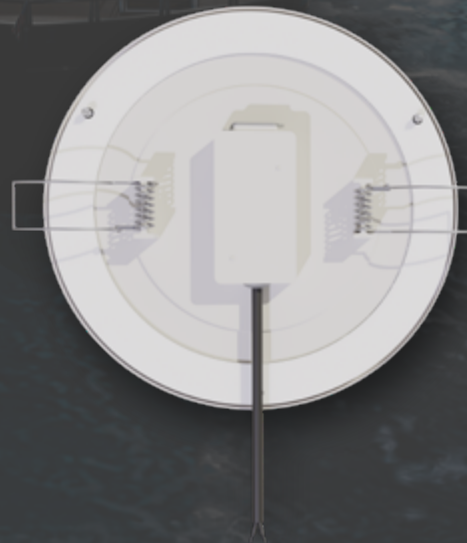
Versions:

- CCT

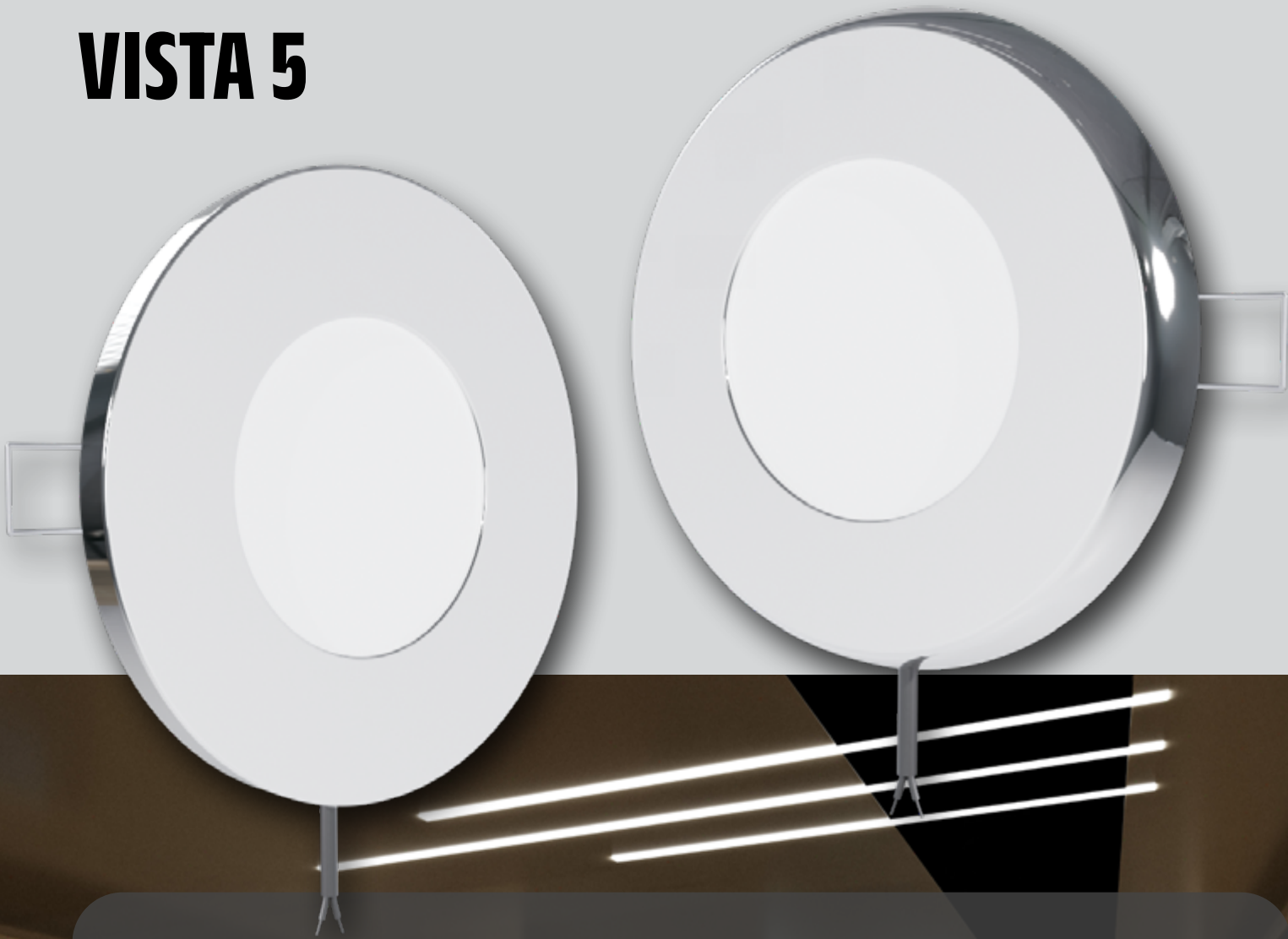
-  3000K Warm White
-  4000K Cool White
-  5000K Daylight

- RBW

-  Red
-  Blue
-  White

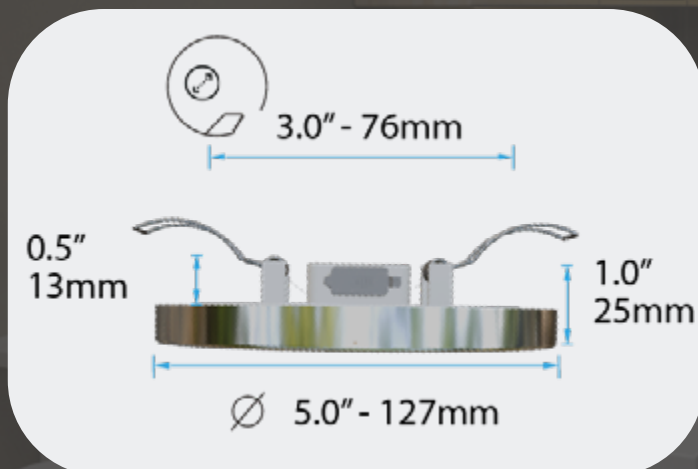


VISTA 5



5 Inch Recessed LED Light

Size:



Trim options:

- 316 Polished SS Modern bevel
- 316 Polished SS Classic bevel
- Powder coated White Modern bevel
- Powder coated White Classic bevel






Features




- Input: 10-30 VDC
- Power Consumption: W=5W
- CRI: 90+
- IP rating: IP44 or IP65
- 300 Lumens
- ETL Certified

Versions:

- CCT

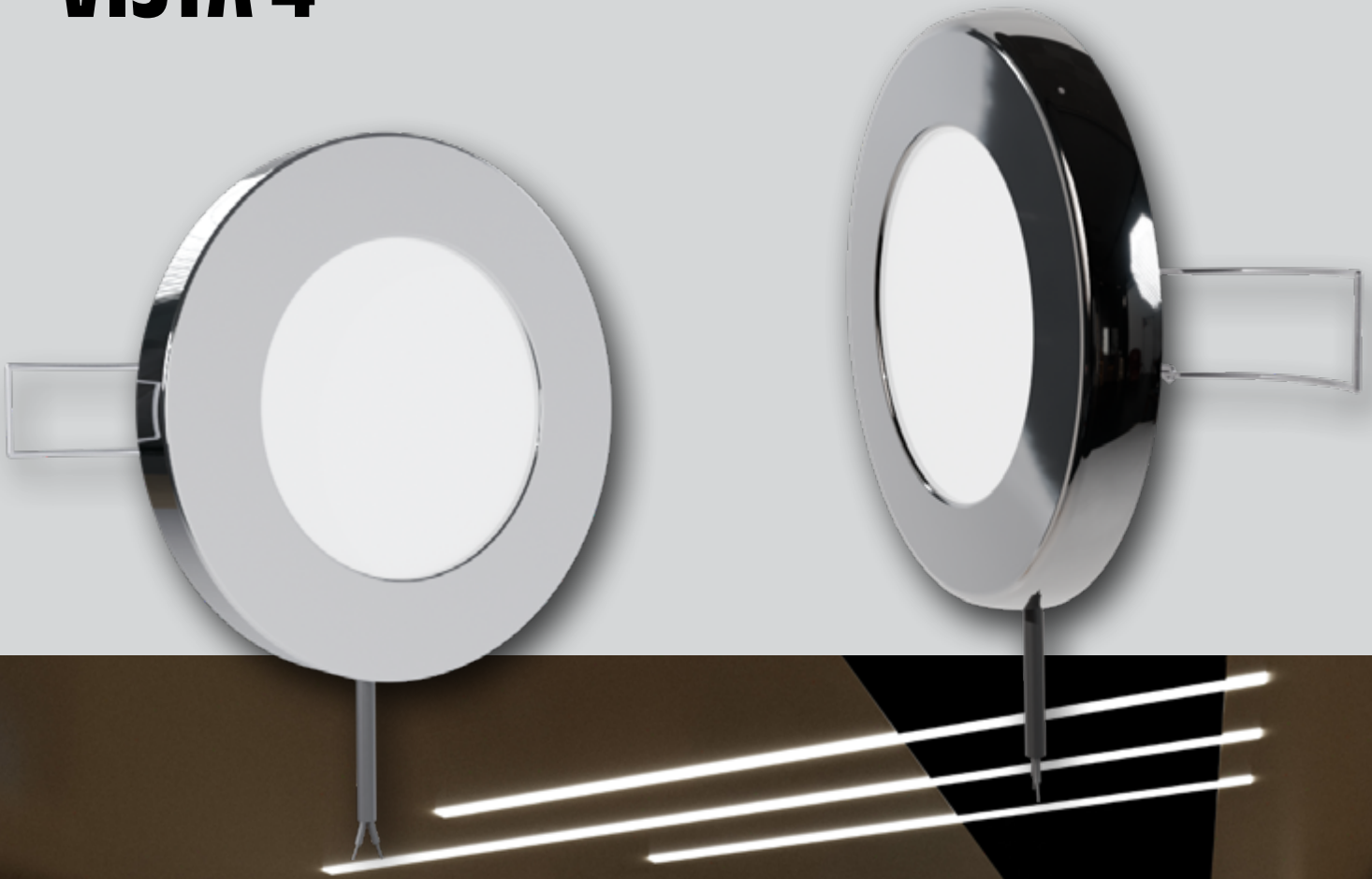
-  3000K Warm White
-  4000K Cool White
-  5000K Daylight

- RBW

-  Red
-  Blue
-  White

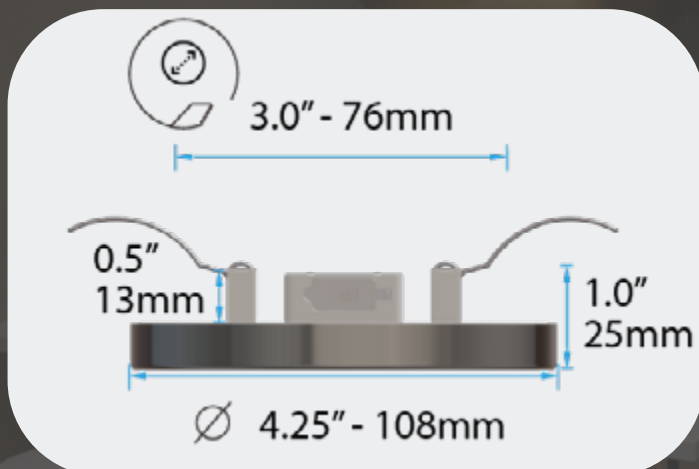


VISTA 4



4 Inch Recessed LED Light

Size:



Trim options:

- 316 Polished SS Modern bevel
- 316 Polished SS Classic bevel
- Powder coated White Modern bevel
- Powder coated White Classic bevel






Features



- Input: 10-30 VDC
- Power Consumption: 5W
- CRI: 90+
- IP rating: IP44 or IP65
- 300 Lumens
- ETL Certified

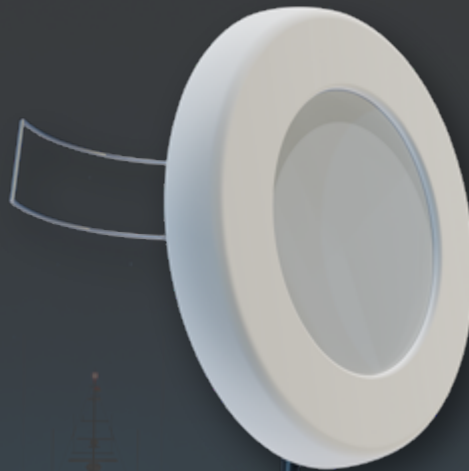
Versions:

- CCT

-  3000K Warm White
-  4000K Cool White
-  5000K Daylight

- RBW

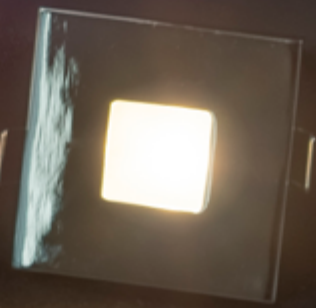
-  Red
-  Blue
-  White



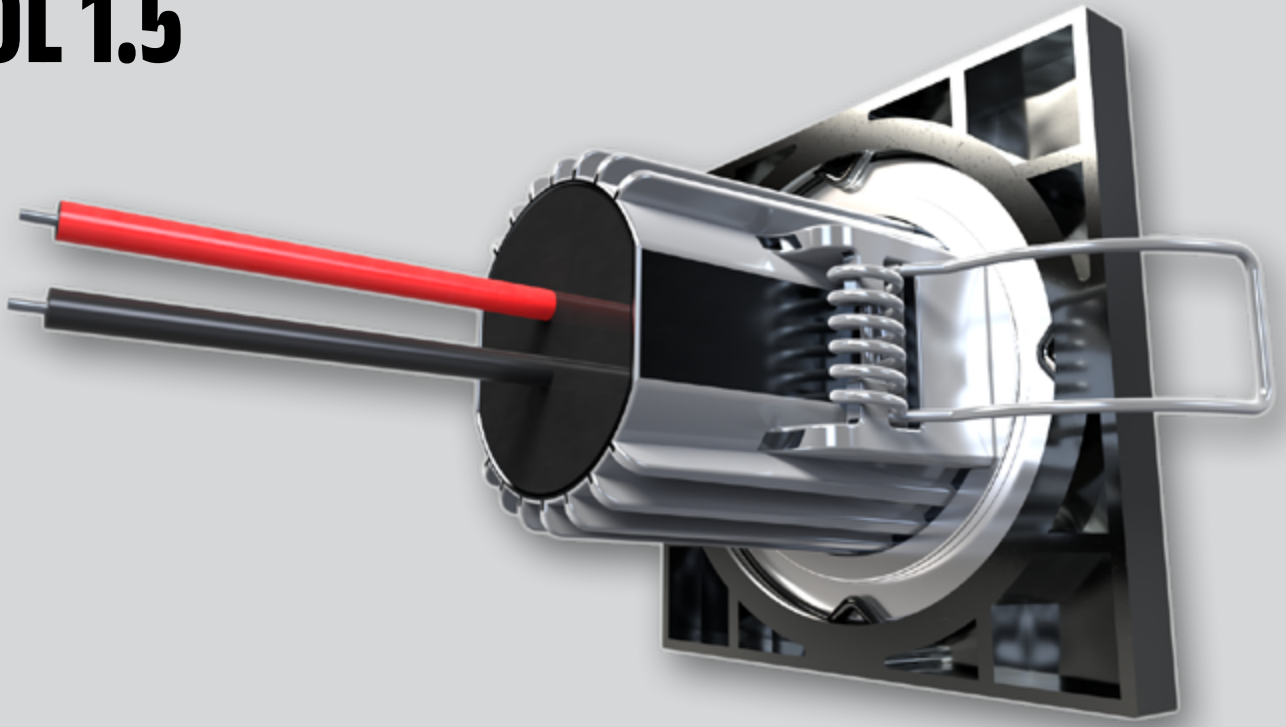
The Sol Collection

These compact marine LED lights, measuring 1.5 inches and 2.5 inches respectively, are engineered with advanced three-color (Red, Blue, White – 3000K) lighting technology. Both models are IP65 rated, making them suitable for both indoor and outdoor installations, and are ETL certified to guarantee years of reliable performance in demanding marine environments. These lights are uniquely designed with a microprocessor that allows for dimming and color selection through existing 2-wire installations, easily controlled by a simple sequence with your switch. The inclusion of diverse trim options, such as 316 polished stainless steel and chrome-plated modern square trims, ensures that these lights not only perform excellently but also blend seamlessly into any aesthetic.



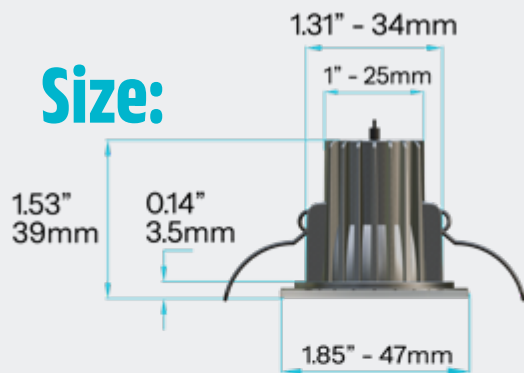


SOL 1.5

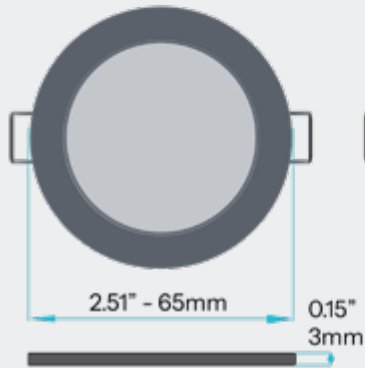


1.5 Inch Recessed LED Light

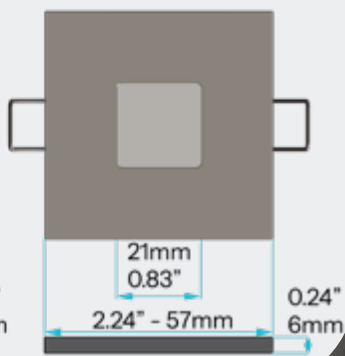
Size:



Circular Trim



Square Trim



Trim options:

- No trim option
- Low Profile 316 Polished SS
- Square modern Chrome plated



Features

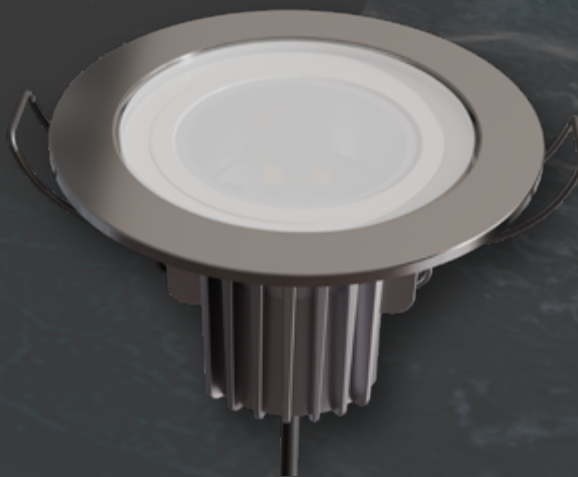
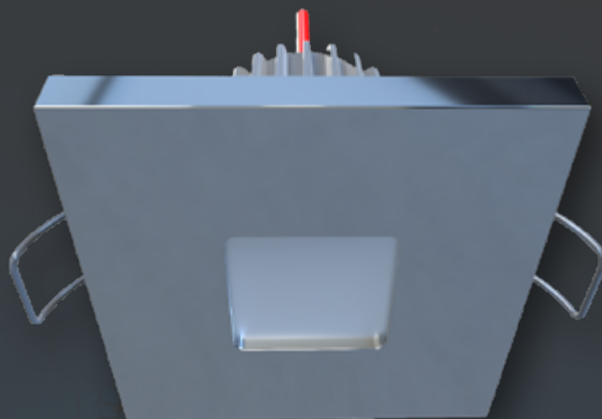
- Input: 10-30 VDC
- Power Consumption: W=5W, B=2.5W, R=1.5W
- White CCT: 3000K
- CRI: 85
- IP rating: IP65
- 210 Lumens

RBW

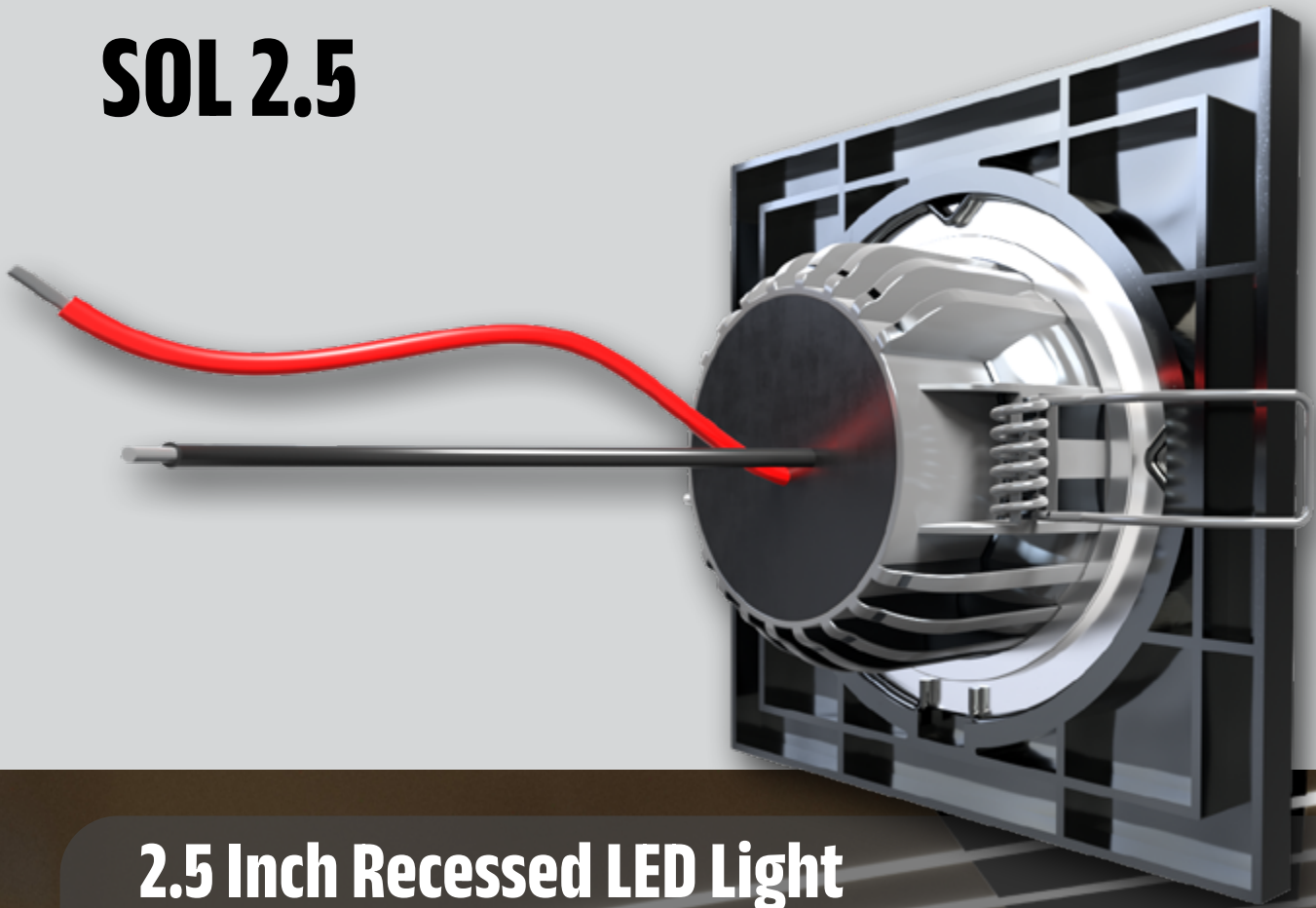
 Red

 Blue

 White

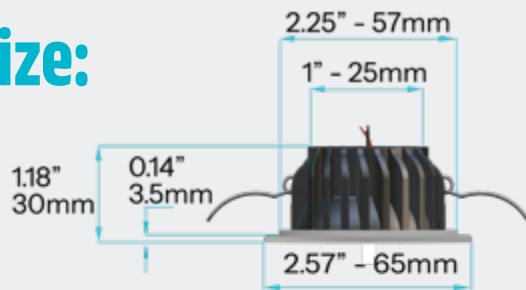


SOL 2.5

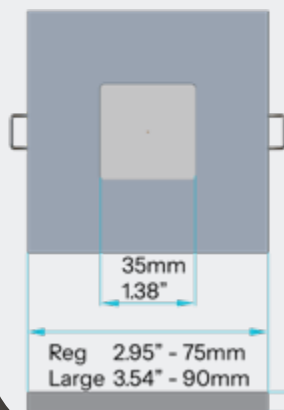


2.5 Inch Recessed LED Light

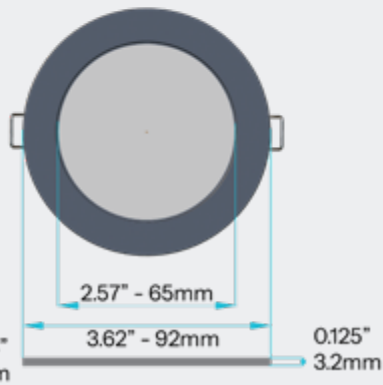
Size:



Square Trim



Round Flat Trim



Trim options:

- No trim option
- Low Profile 316 Polished SS
- Square modern Chrome plated



Features

- Input: 10-30 VDC
- Power Consumption: W=5W, B=2.5W, R=1.5W
- White CCT: 3000K
- CRI: 85
- IP rating: IP65
- 350 Lumens

RBW

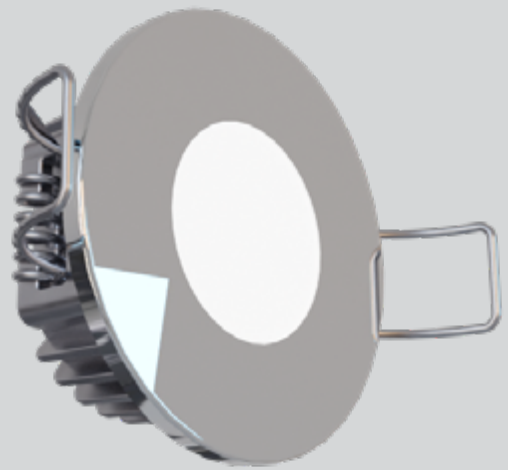
 Red

 Blue

 White

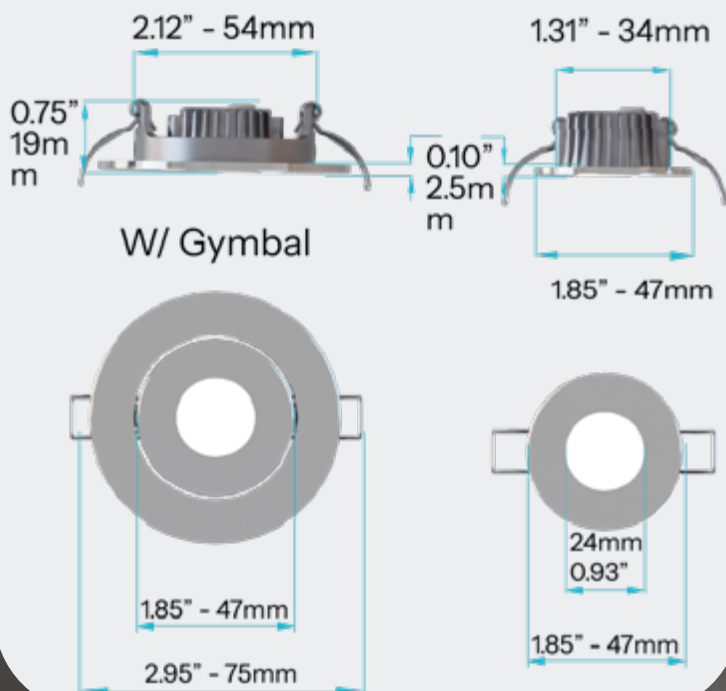


SOL 1.5 Compact



1.5 Inch Recessed LED Light

Size:



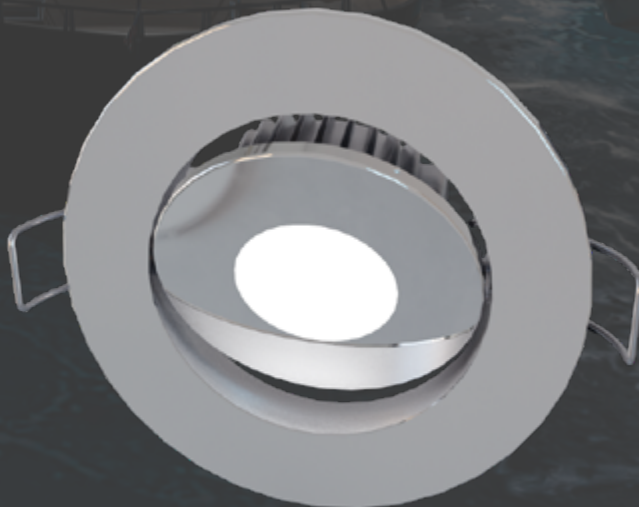
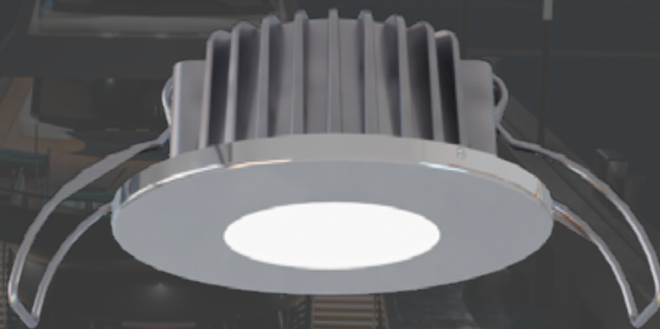
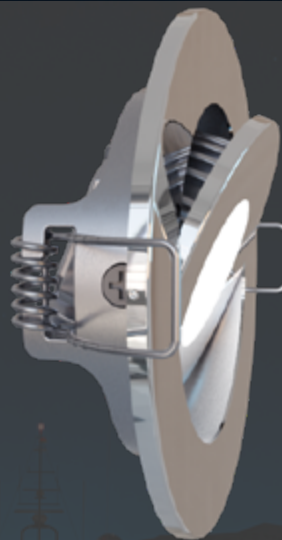
Trim options:

Low Profile Polished 316 SS



Low Profile Polished 316 SS with gimbal

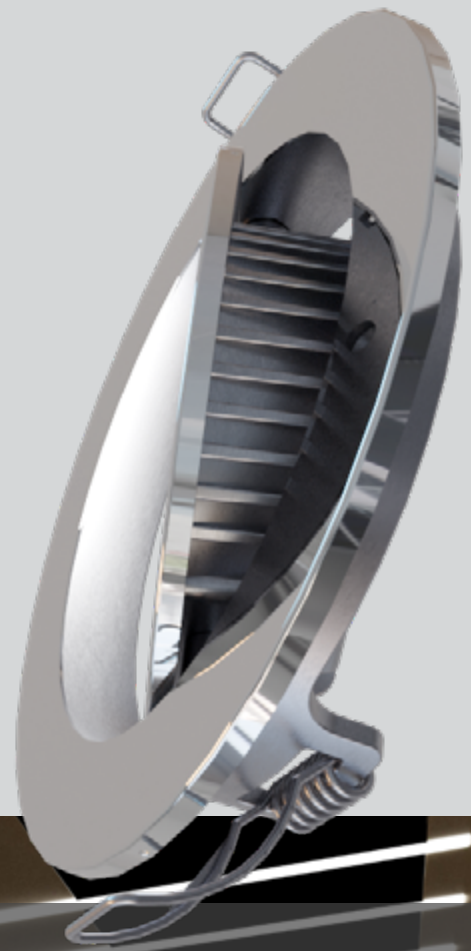
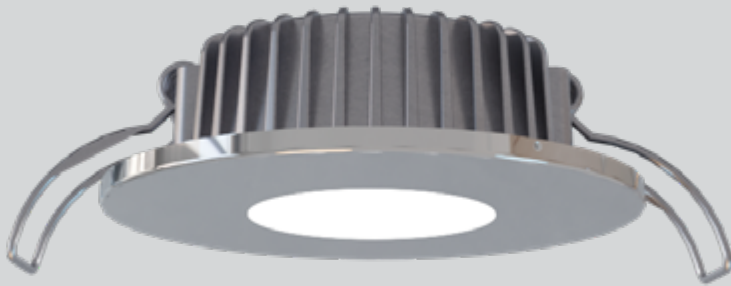




Features

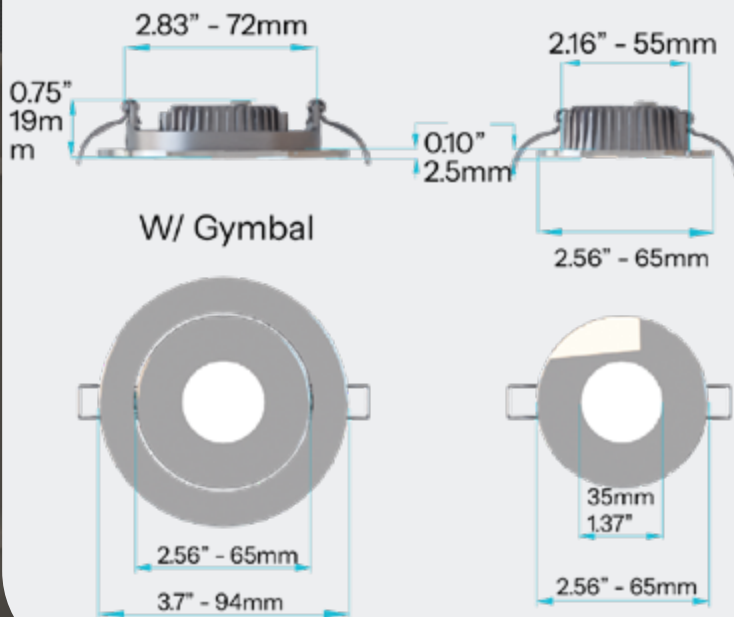
- Input: 10-30 VDC
- Power Consumption: 2W
- White CCT: 3000K
- CRI: 80
- IP rating: IP65
- 150 Lumens

SOL 2.5 Compact



2.5 Inch Recessed LED Light

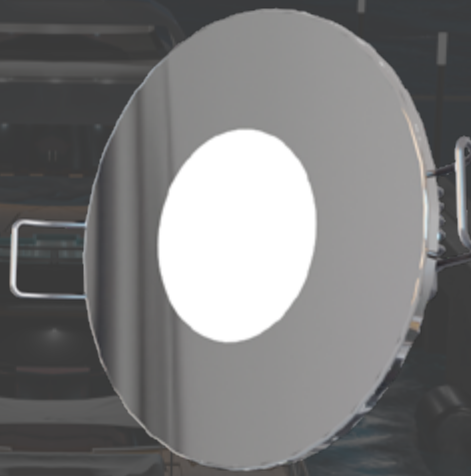
Size:



Trim options:

- Low Profile Polished 316 SS
- Low Profile Polished 316 SS with gimbal





Features

- Input: 10-30 VDC
- Power Consumption: 4W
- White CCT: 3000K
- CRI: 80
- IP rating: IP65
- 300 Lumens

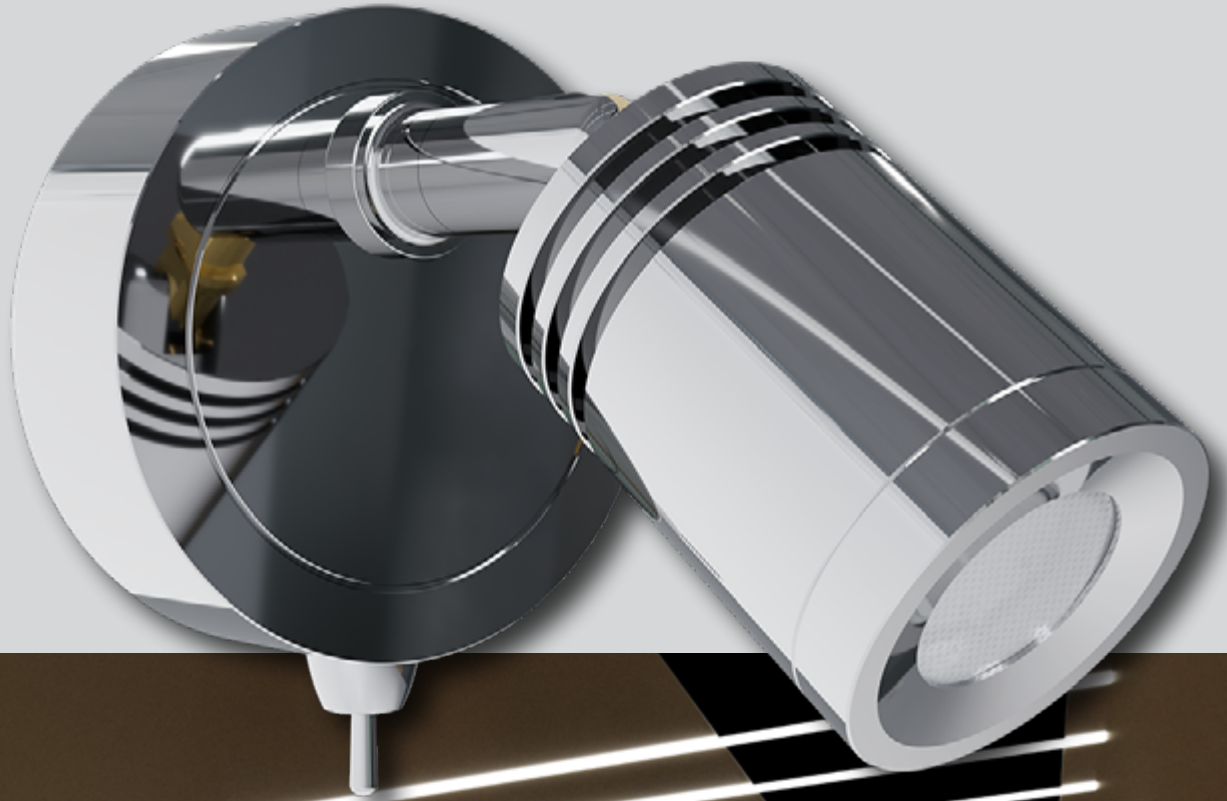
The Bravo Series

The Bravo Series are wall mount reading light designed for marine use, they are suitable for indoor installation. They feature a classic round base and a bullet shaped head that moves up and down, side to side and is triple chrome plated for years of use without losing its elegant shine. It offers a wide range of input voltage suitable for any 12VDC or 24VDC system and has 85 Lumens of light output through a diffused lens.



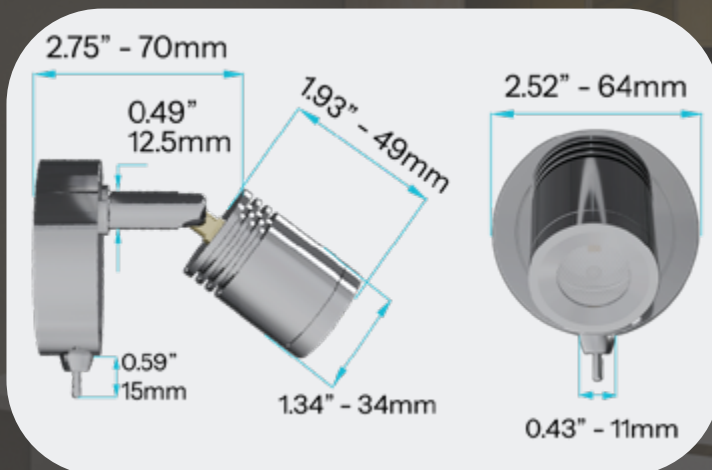


BRAVO 30C



Modern reading light

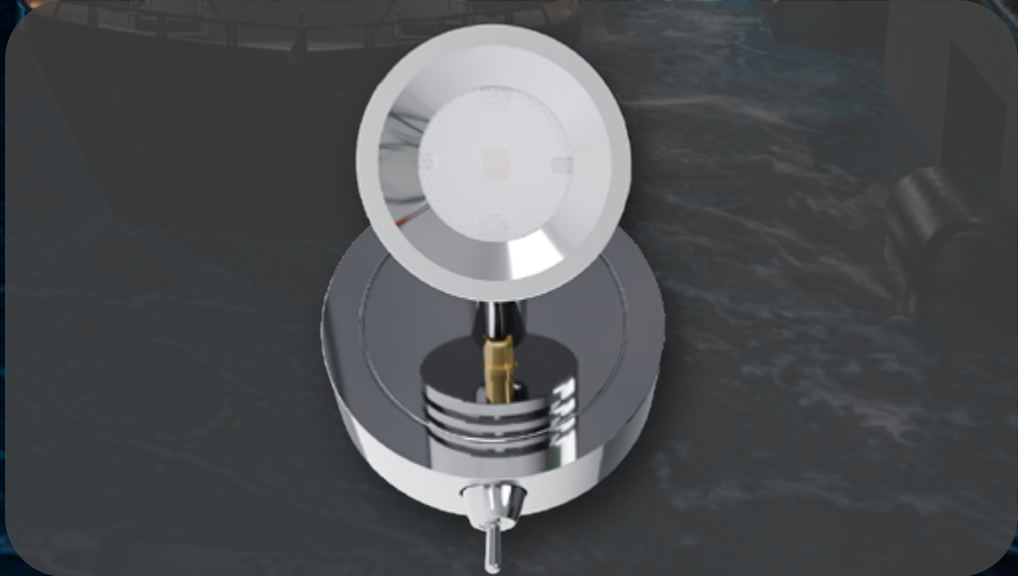
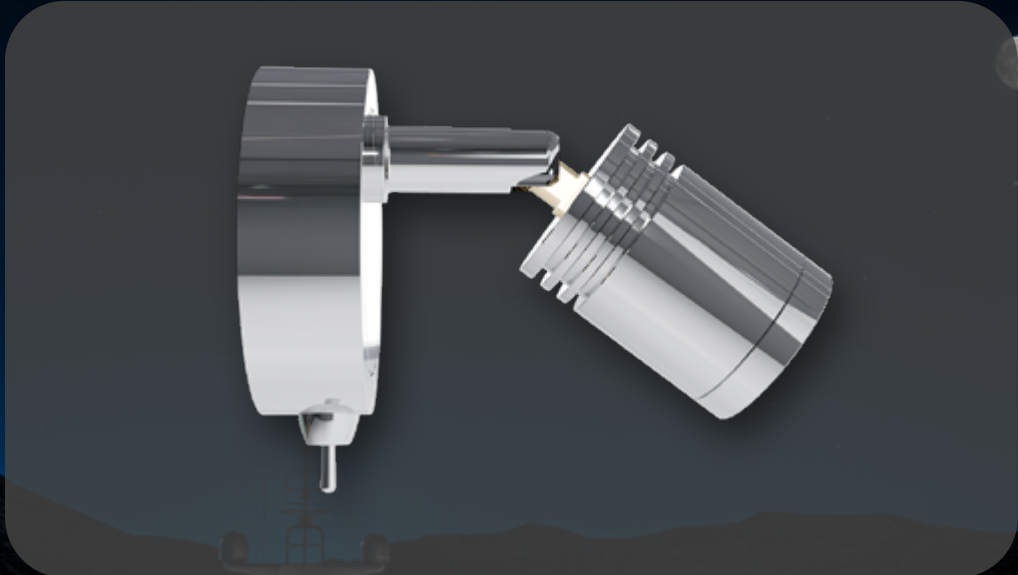
Size:



Finish:

- Modern Square
Chrome plated





Features

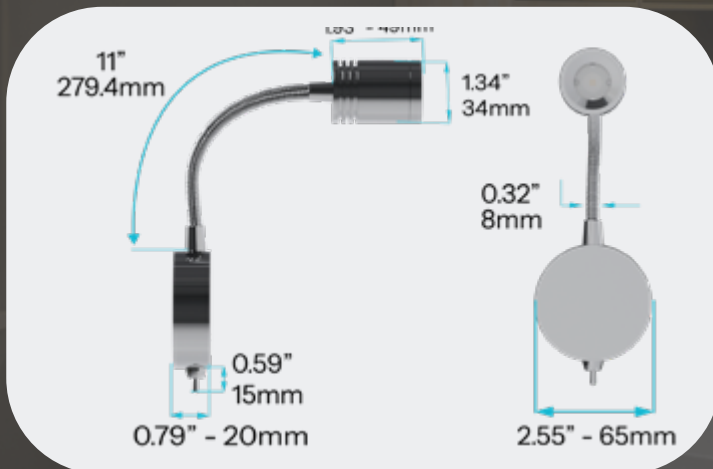
- Input: 12-24 VDC
- White CCT: 3000K
- CRI: 85
- 85 Lumens

BRAVO 30G



Modern Gooseneck reading light

Size:



Finish:

Modern Square
Chrome plated





Features

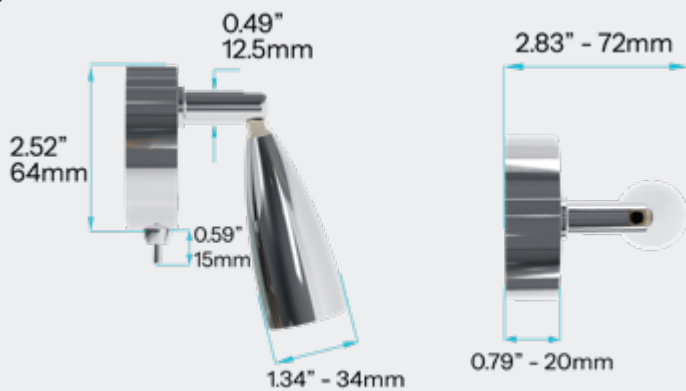
- Input: 12-24 VDC
- White CCT: 3000K
- CRI: 85
- 85 Lumens

BRAVO 35C



Classic Reading light

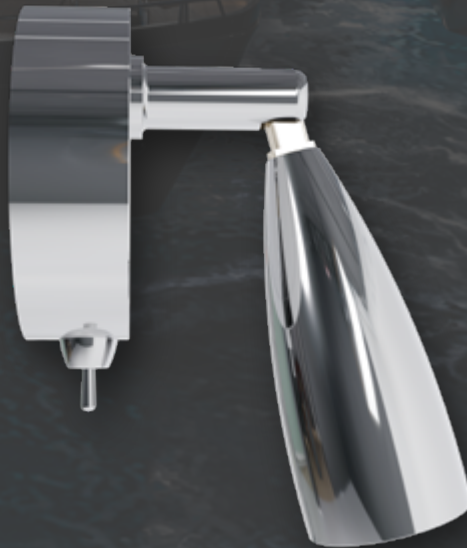
Size:



Finish:

- Curved classic Chrome plated





Features

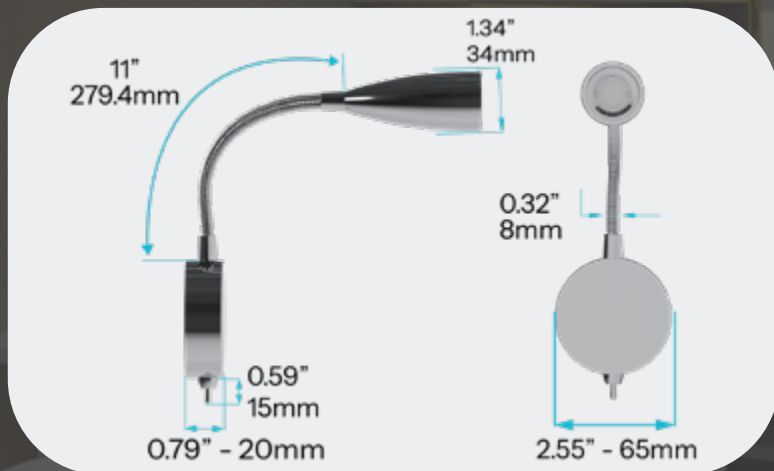
- Input: 12-24 VDC
- White CCT: 3000K
- CRI: 85
- 85 Lumens

BRAVO 35G



Classic Gooseneck Reading light

Size:



Finish:

- Curved classic Chrome plated



Features

- Input: 12-24 VDC
- White CCT: 3000K
- CRI: 85
- 85 Lumens

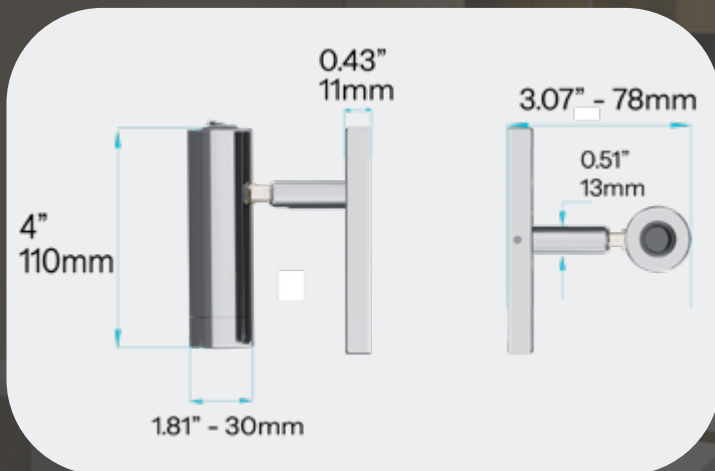


BRAVO 40C



Modern reading light

Size:



Finish:

- Modern Square Chrome plated





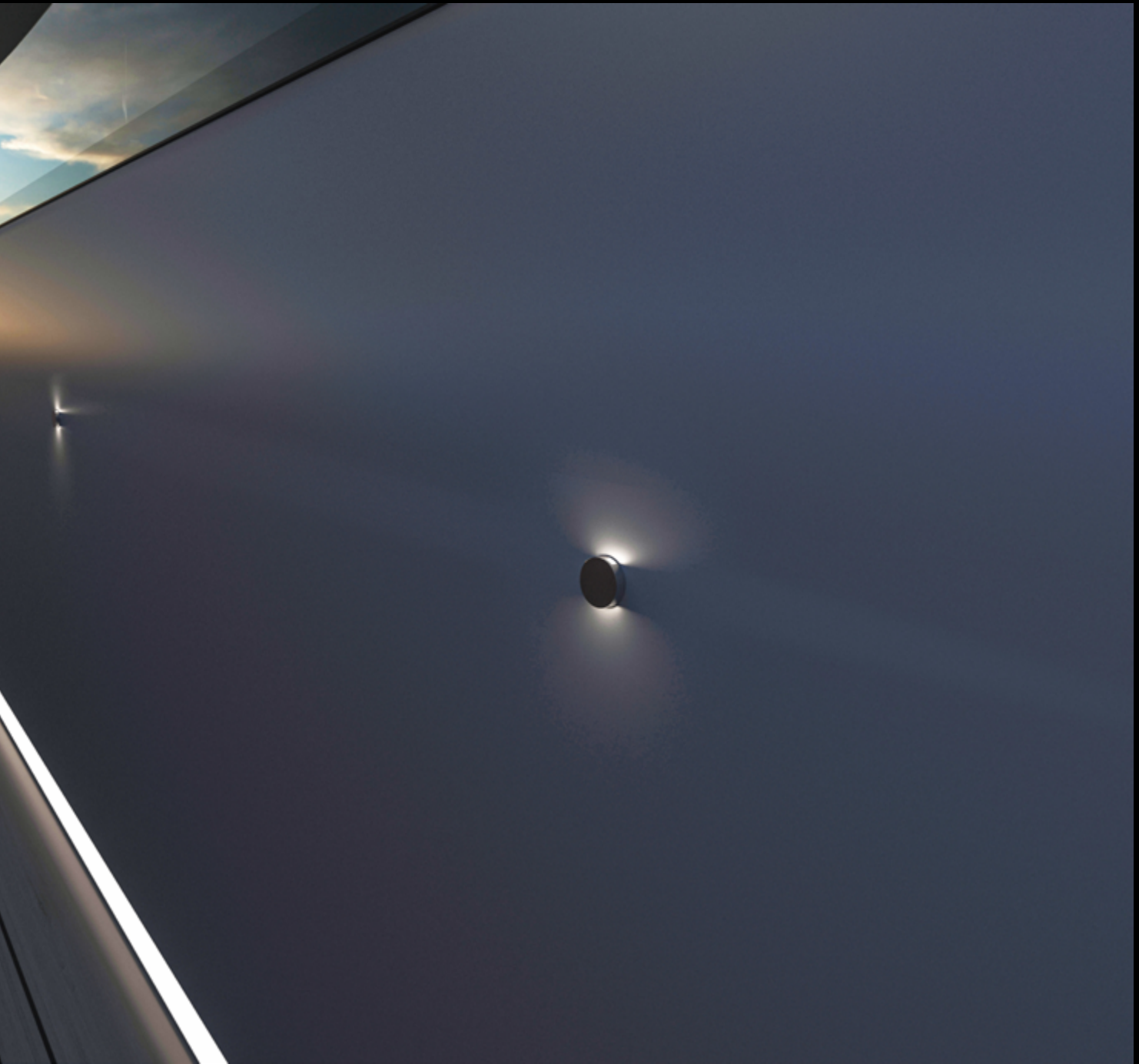
Features

- Input: 12-24 VDC
- White CCT: 3000K
- CRI: 85
- 85 Lumens

Courtesy Lighting

K2 Lighting's marine-grade LED courtesy lighting is the perfect solution for illuminating steps, pathways, and accent areas with both style and reliability. Designed to withstand harsh marine environments, these lights provide energy-efficient illumination that enhances safety while adding a refined touch to your vessel's aesthetic.



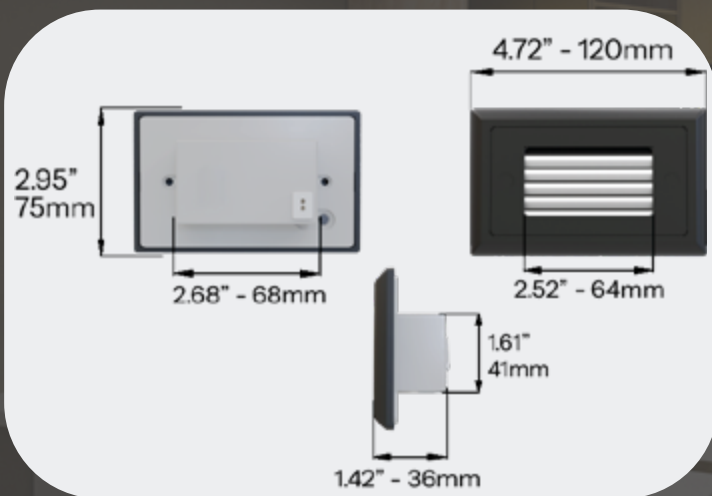


Puerto 1



Puerto 1 Dock lighting

Size:



Materials:






- White powder coated
- Brushed Stainless steel
- Black powder coated

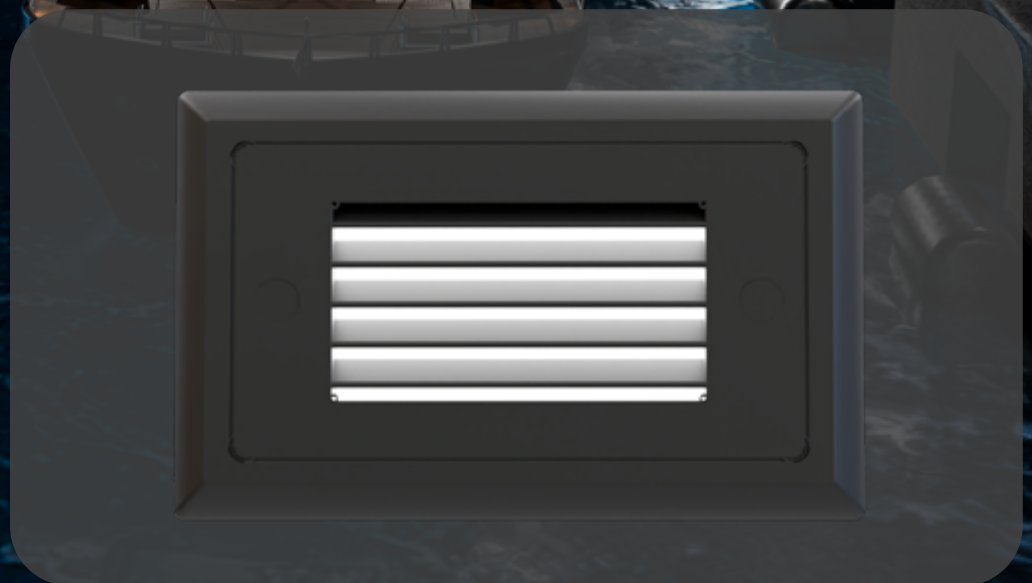


Features

- Input: 12 VDC
- Power Consumption: W= 1.5W
- IP rating: IP65
- ETL Certified

Versions:

-  3000K Warm White
-  4000K Cool White
-  5000K Daylight
-  Blue
-  Amber

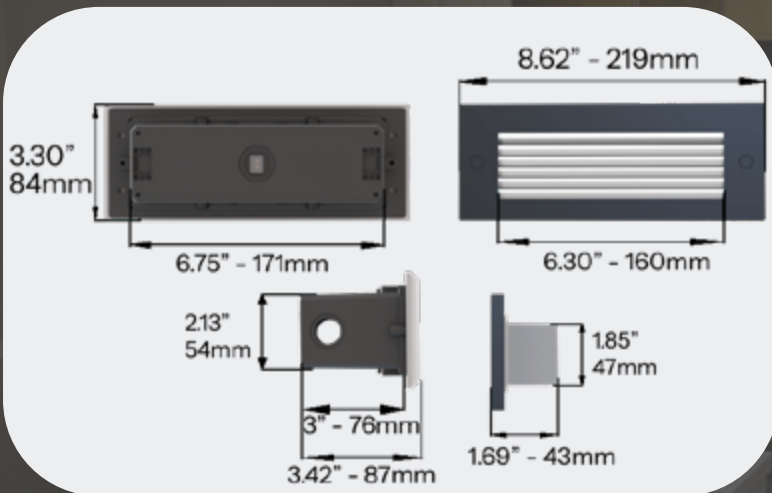


Puerto 2



Puerto 2 Dock lighting

Size:



Materials:






- White powder coated
- Brushed Stainless steel
- Black powder coated

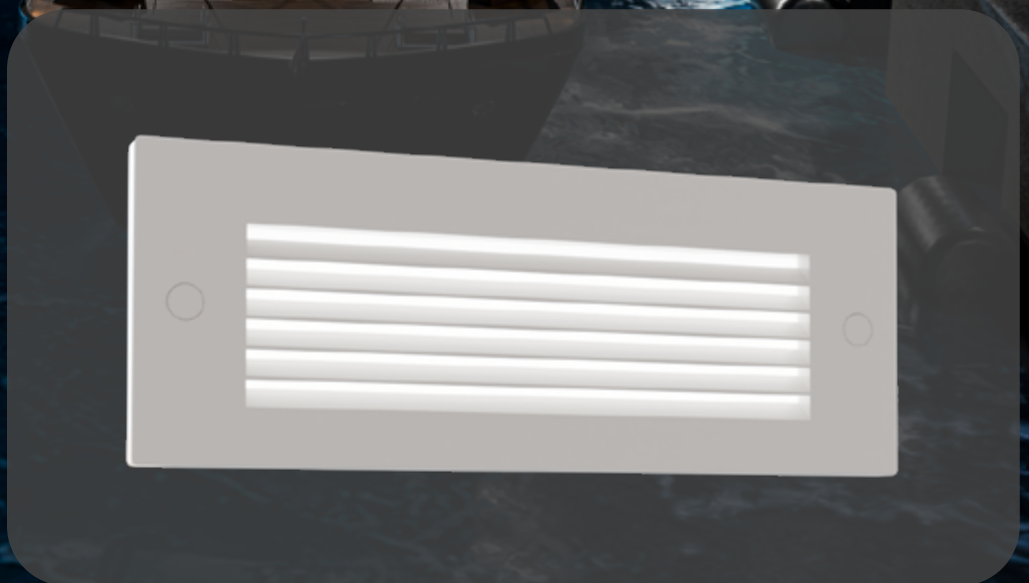
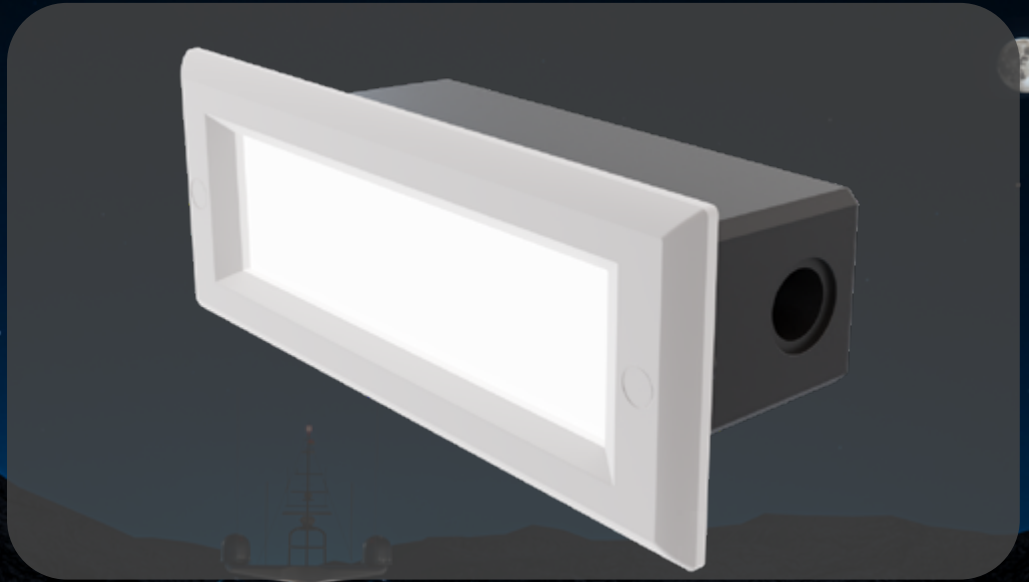


Features

- Input: 12 VDC
- Power Consumption: W= 3W
- IP rating: IP65
- ETL Certified

Versions:

-  3000K Warm White
-  4000K Cool White
-  5000K Daylight
-  Blue
-  Amber

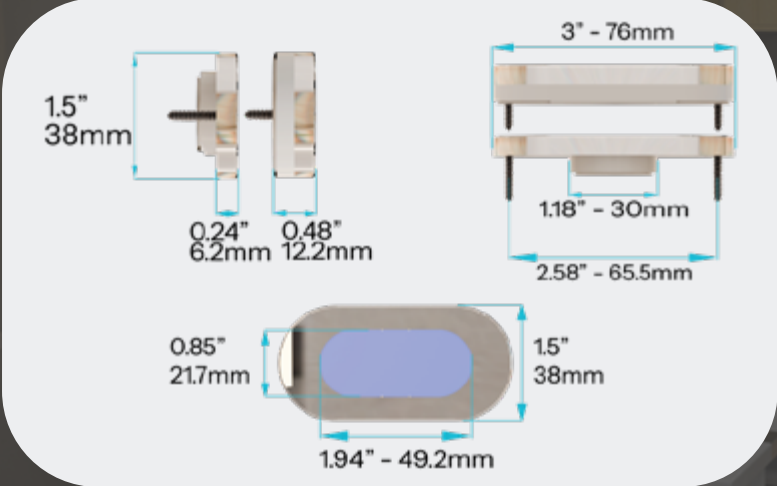


MURO OVAL MARKER



MURO OVAL MARKER

Size:



Materials:

- White Hard plastic
- 316 Stainless steel



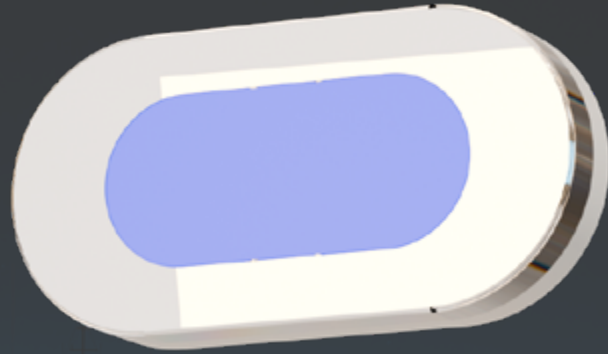
Features

- Input: 10-30 VDC
- Power Consumption: W=0.2W B=0.035W
- IP rating: IP65
- 15 LUMENS
- ETL Certified

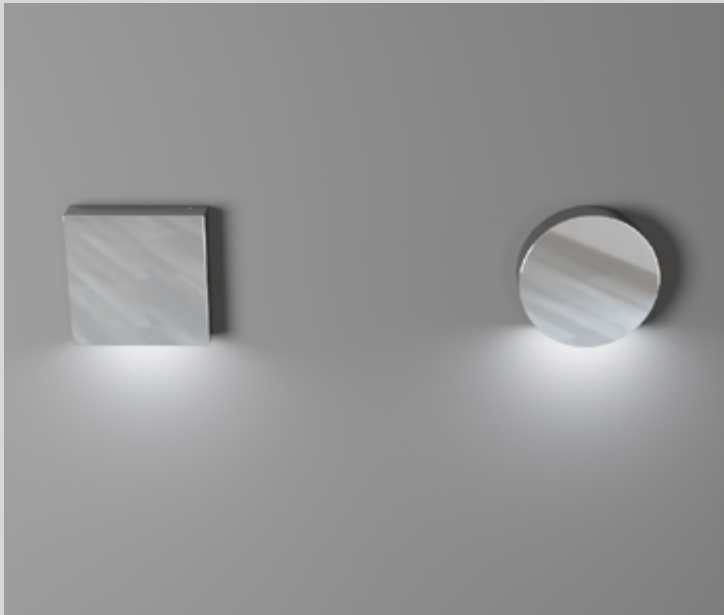
Versions:

 3000K Warm White

 Blue

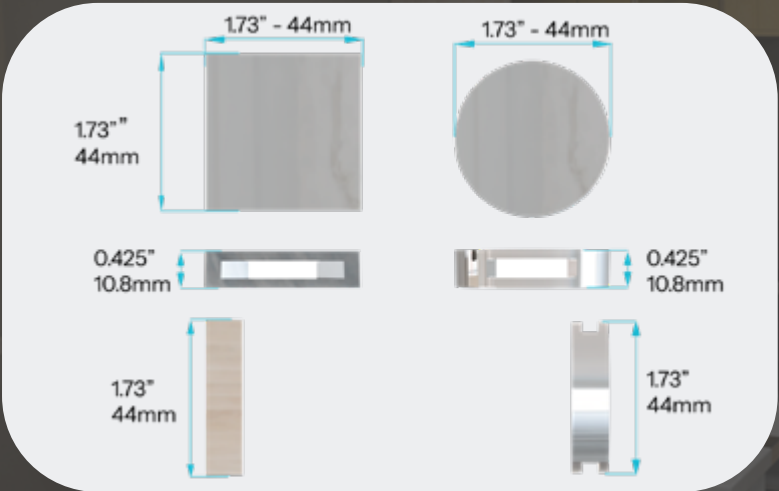


PASO COURTESY LIGHT



PASO COURTESY LIGHT

Size:



Materials:

- White Hard plastic
- 316 Stainless steel



Features

- Input: 10-30 VDC
- Power Consumption: W=0.2W B=0.035W
- IP rating: IP65
- 15 LUMENS
- ETL Certified

Versions:

 3000K Warm White



Strip Lighting

Illuminate your space with our versatile and energy-efficient LED Yacht & Boat Strip Lighting. Perfect for any application, these strip lights offer a seamless lighting solution that can be designed to fit any environment.



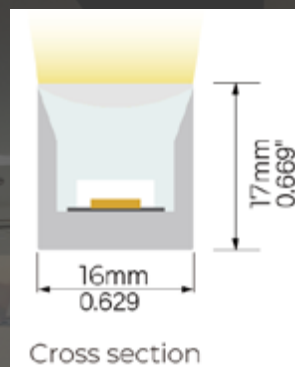


Viva Silicone 3D



Viva Silicone 3D

Size:



PC Profile



PC Profile



PC Clip






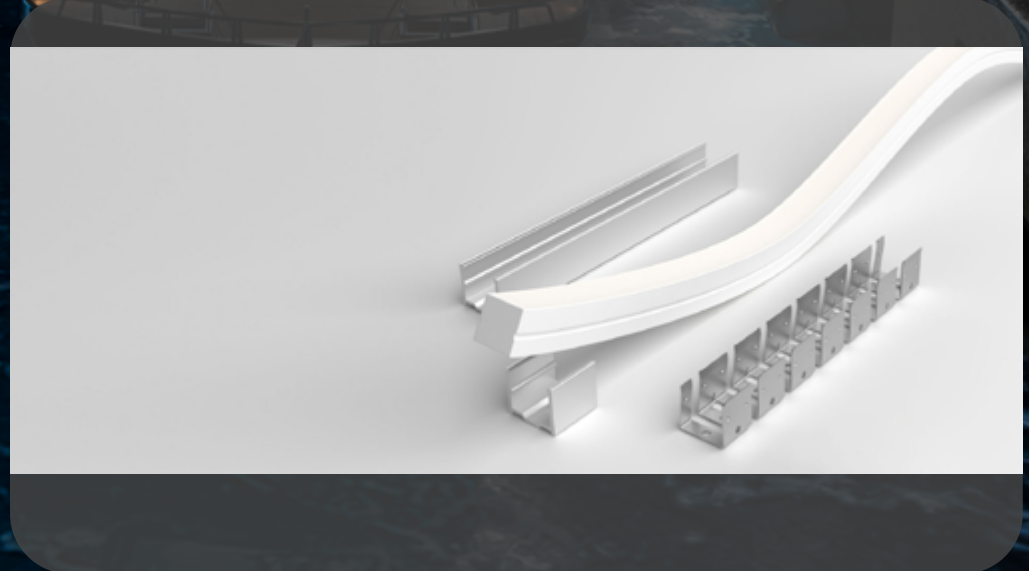
Features

- Input: 24 VDC
- Power Consumption: 5W/M 10W/M
- IP rating: IP67
- CRI: 90+
- 291lm/m 841lm/m

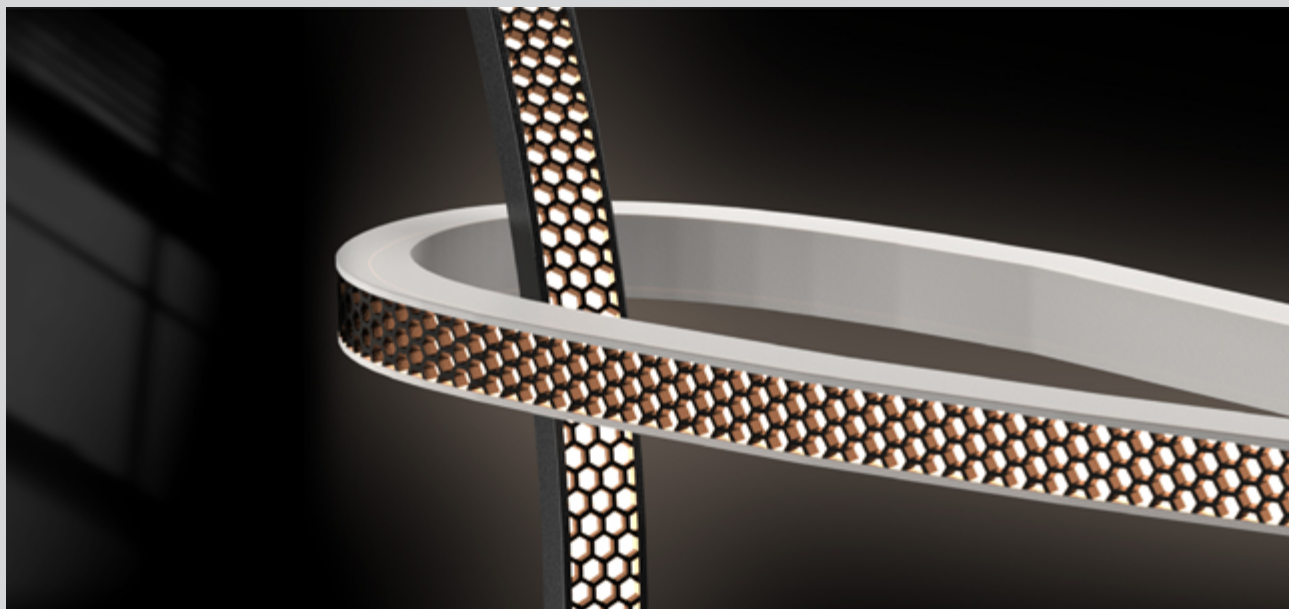
Versions:

- CCT

-  2700K Warm White
-  3000K Cool White
-  4000K Daylight

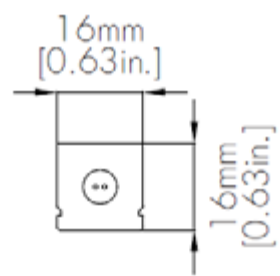


VIVA Silicone HEX 3D



Viva Silicone HEX 3D

Size:



PC Profile



PC Profile



PC Clip






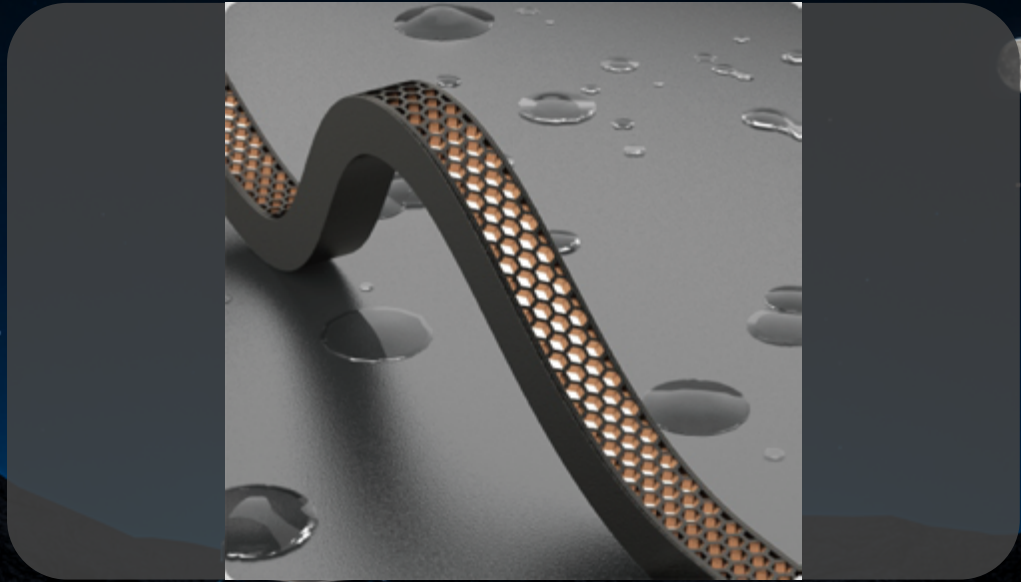
Features

- Input: 24 VDC
- Power Consumption: 14W/M
- IP rating: IP67
- CRI: 90+
- 162lm/m

Versions:

- CCT

-  3000K Warm White
-  4000K Cool White
-  5000K Daylight

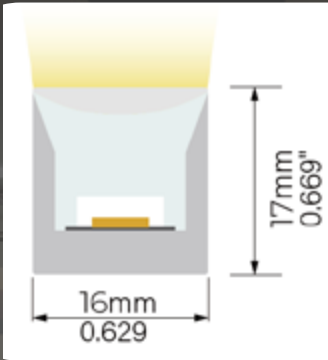


VIVA Silicone HEX Enclosed

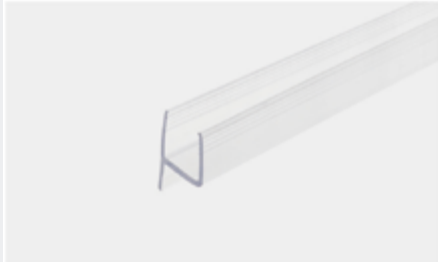


Viva Silicone HEX 3D

Size:



PC Profile



PC Profile



PC Clip





Features

- Input: 24 VDC
- Power Consumption: 10W/M
- IP rating: IP67
- CRI: 90+
- 30lm/m - 25lm/m

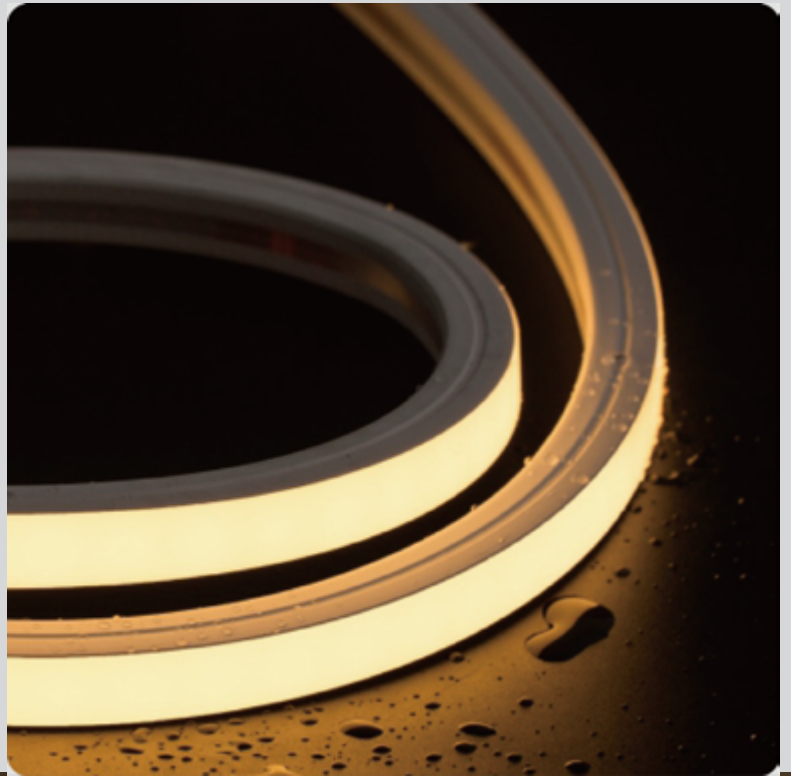
Versions:

- CCT

-  3000K Warm White
-  AMBER

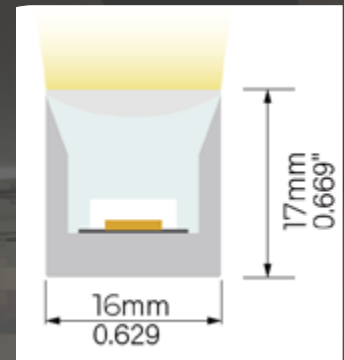


VIVA Silicone Large 1617

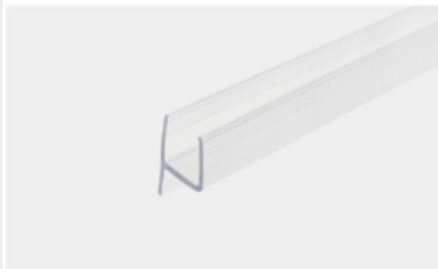


Viva Silicone Large 1617

Size:



PC Profile



PC Profile



PC Clip






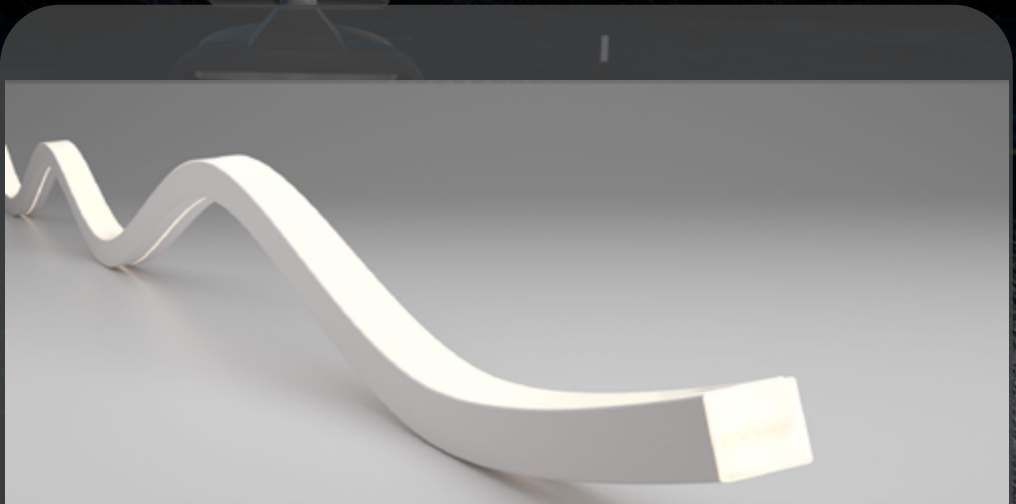
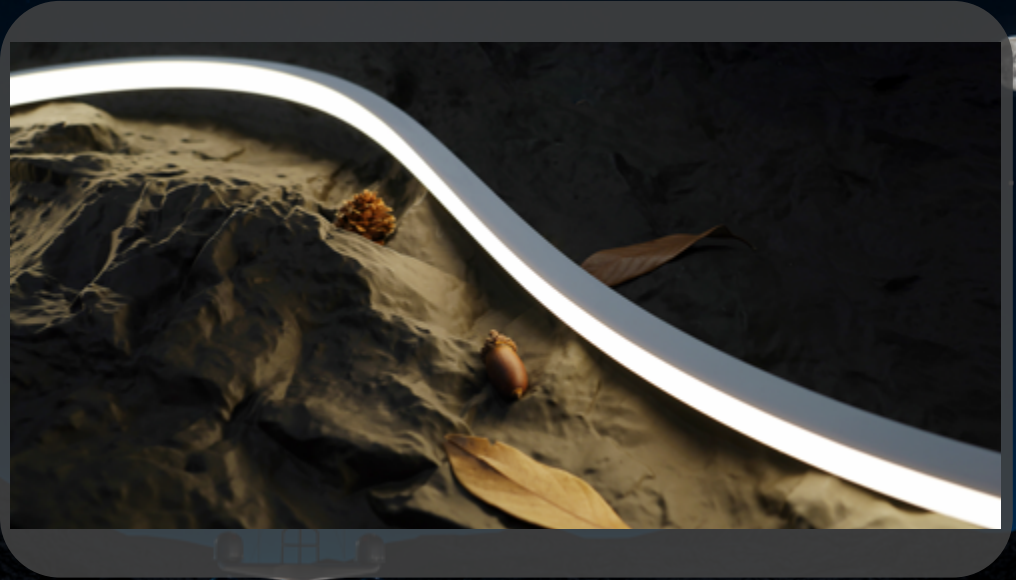
Features

- Input: 24 VDC
- Power Consumption: 10W/M
- IP rating: IP67
- CRI: 90+
- 825lm/m - 727lm/m

Versions:

- CCT

-  3000K Warm White
-  5000K Daylight
-  RGBW

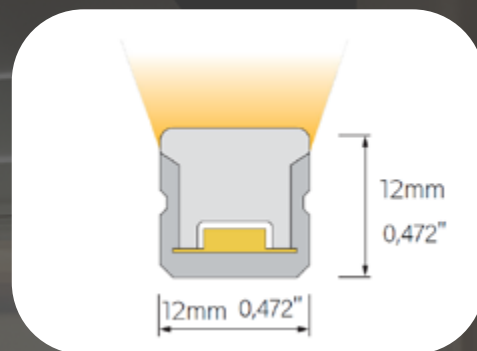


VIVA Silicone Medium Top 1212

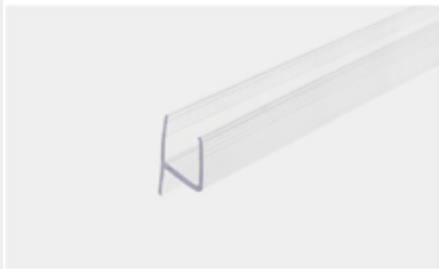


Viva Silicone Medium Top 1212

Size:



PC Profile



PC Profile



PC Clip






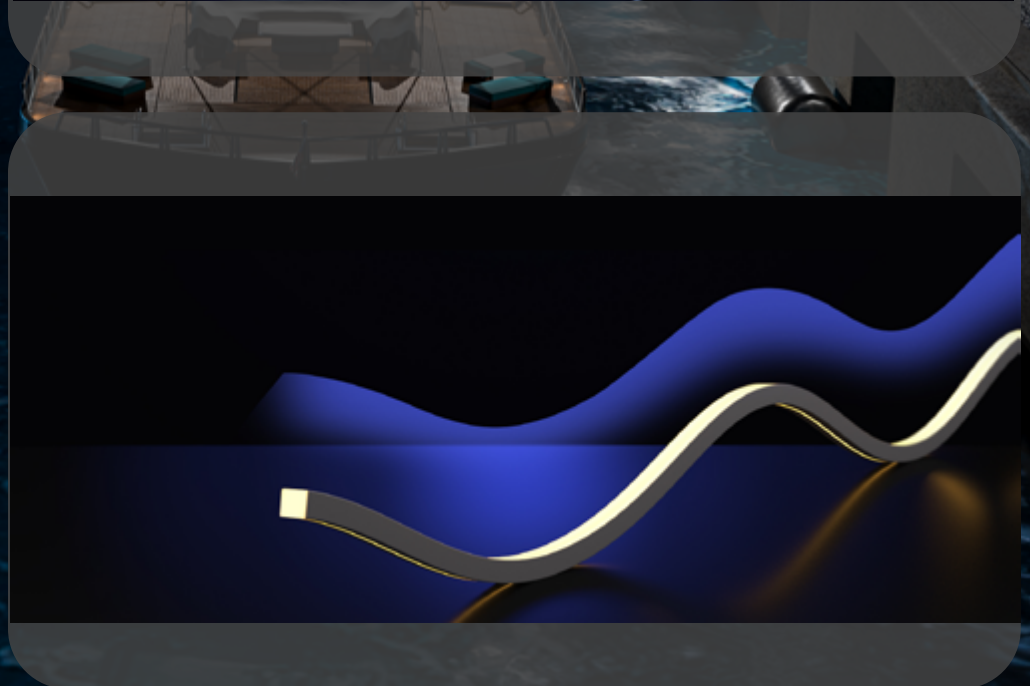
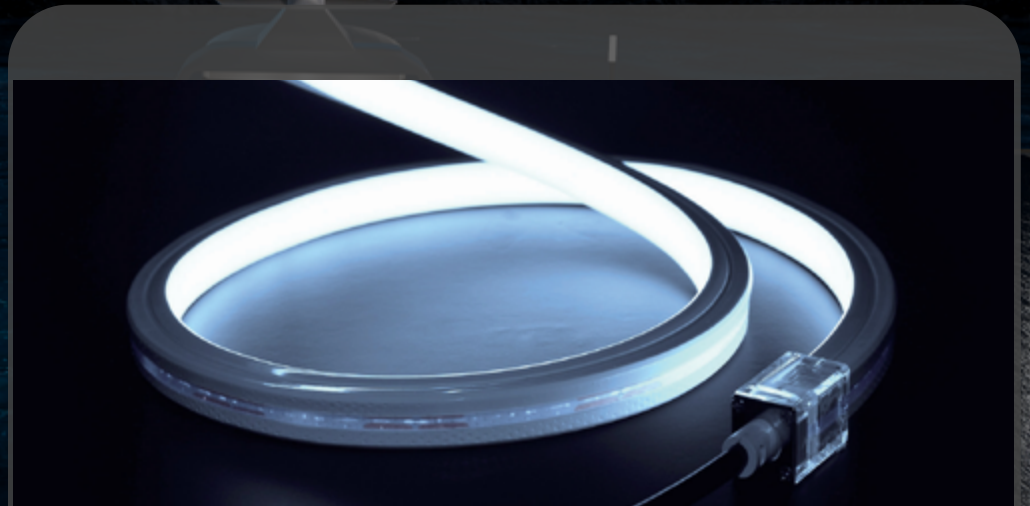
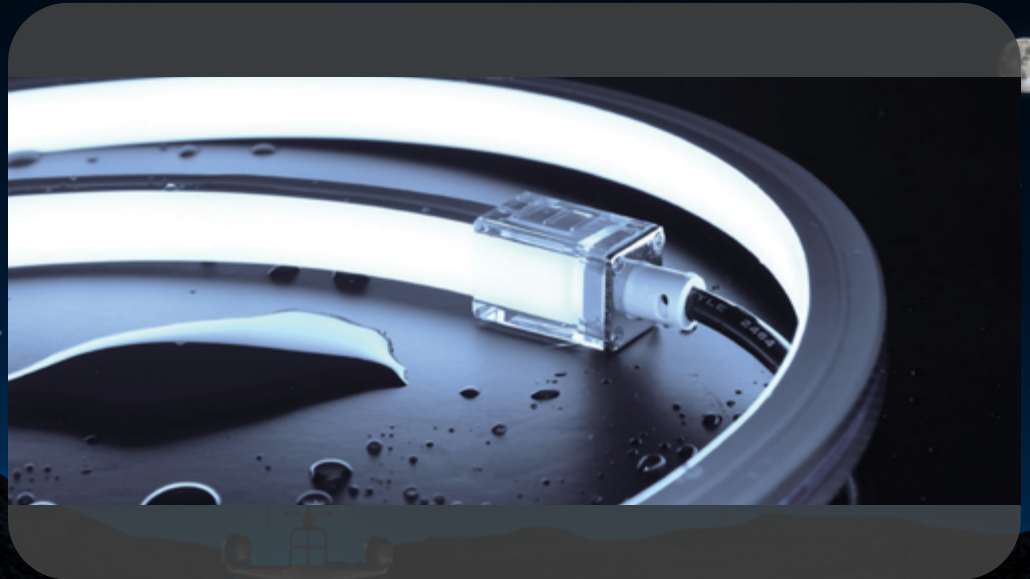
Features

- Input: 24 VDC
- Power Consumption: 10W/M
- IP rating: IP67
- CRI: 90+
- 640lm/m 680lm/m 365lm/m

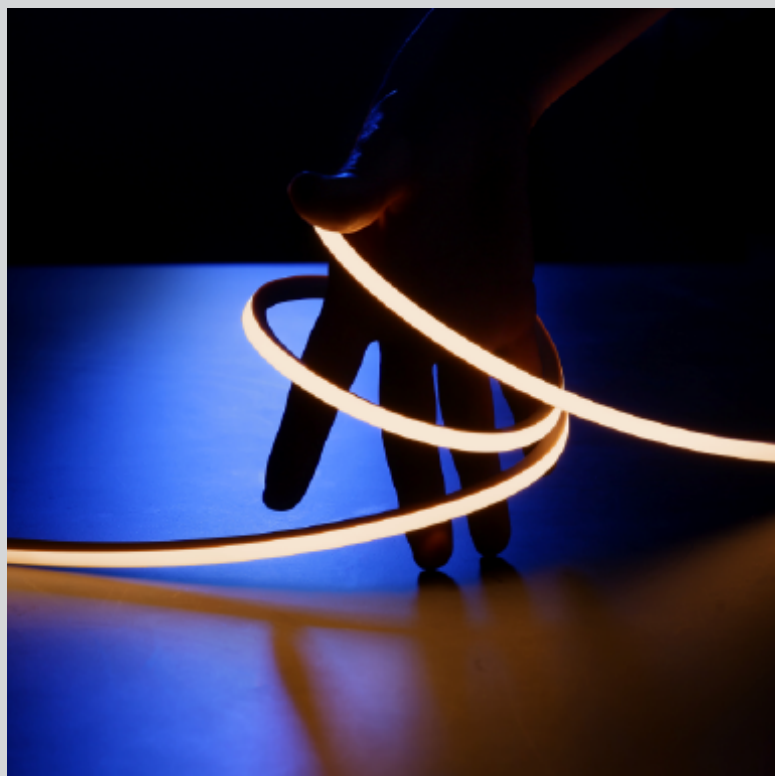
Versions:

- CCT

-  3000K Warm White
-  5000K Daylight
-  RGBW

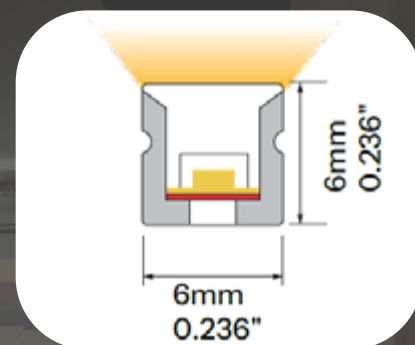


VIVA Silicone Mini Top 0606



Viva Silicone Mini Top 0606

Size:



PC Profile



PC Profile



PC Profile



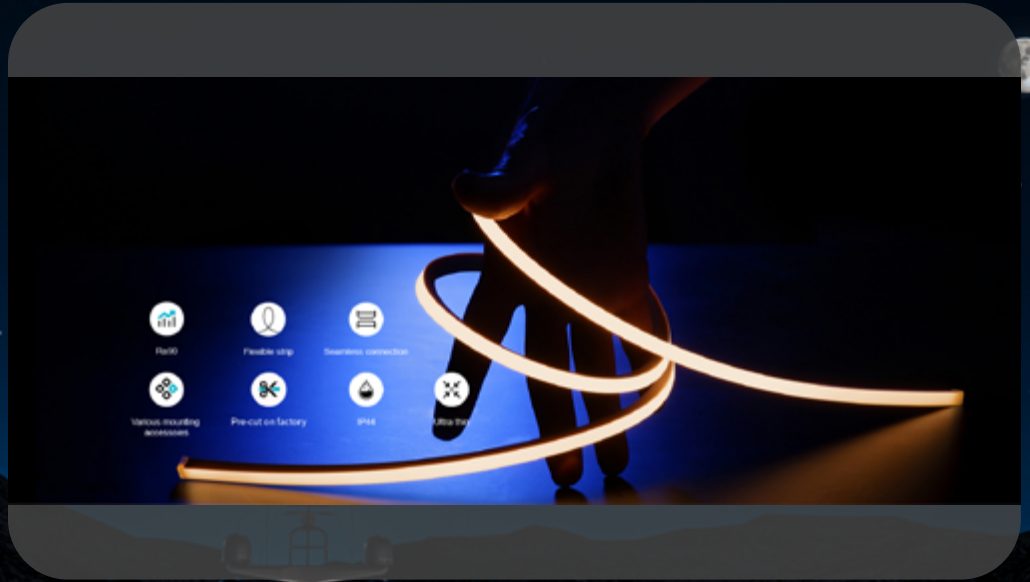
Features

- Input: 24 VDC
- Power Consumption: 6W/M
- IP rating: IP44
- CRI: 90+
- 381lm/m

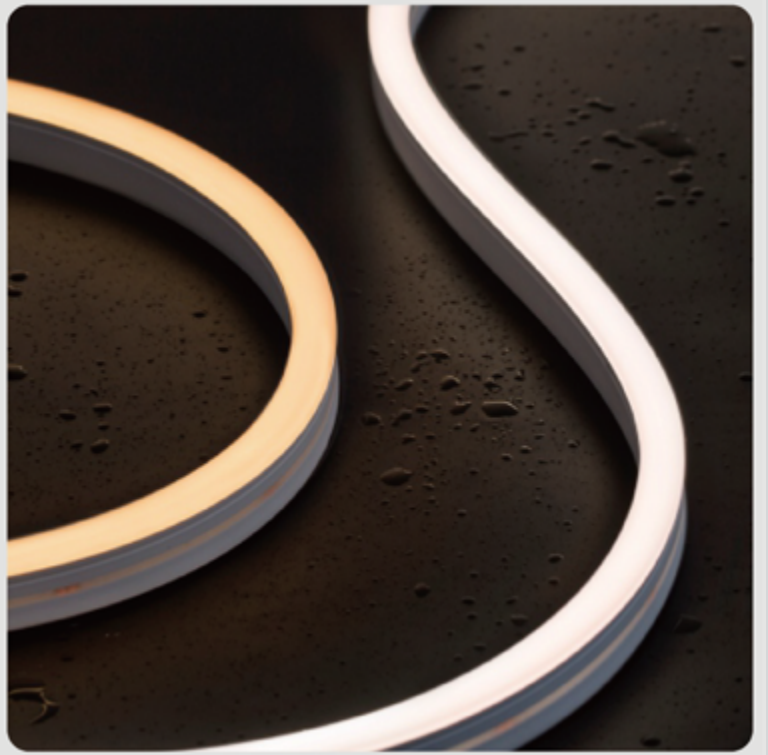
Versions:

- CCT

 3000K Cool White

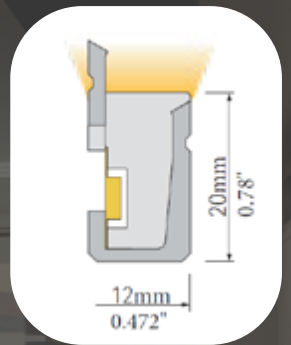


VIVA Silicone Medium Side 1220

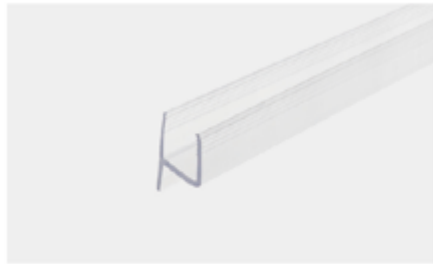


Viva Silicone Medium Side 1220

Size:



PC Profile



PC Profile



PC Profile






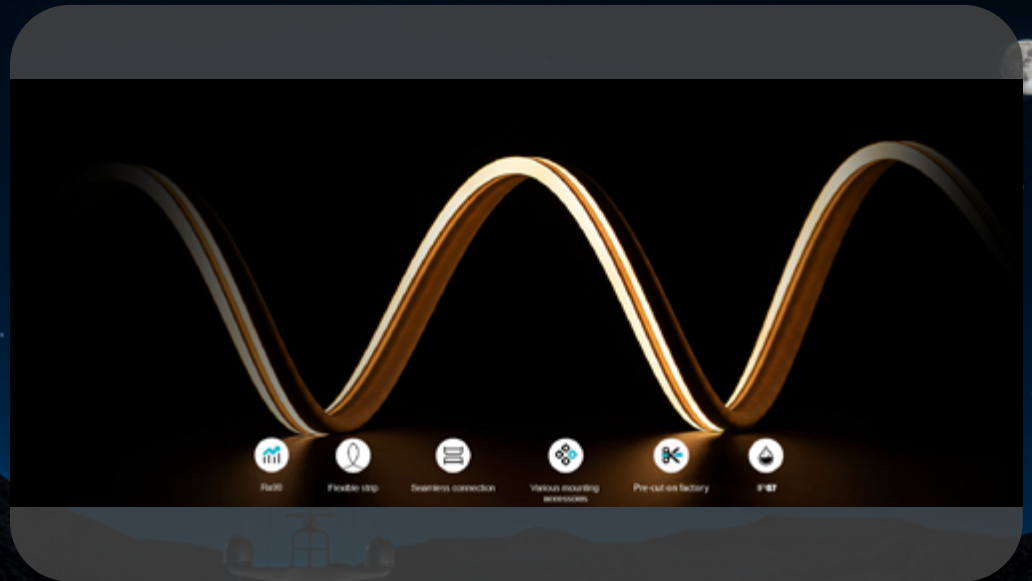
Features

- Input: 24 VDC
- Power Consumption: 10W/M
- IP rating: IP67
- CRI: 90+
- 340lm/m 107lm/m

Versions:

- CCT

-  3000K Warm White
-  5000K Daylight
-  RGBW

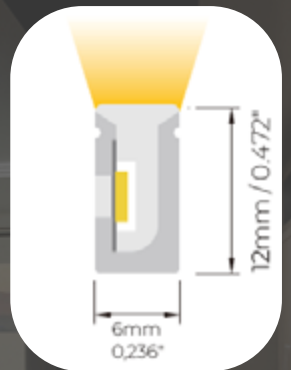


VIVA Silicone Small Side 0612



VIVA Silicone Small Side 0612

Size:



Aluminium mounting clips



Stainless steel mounting clips



Aluminium profile



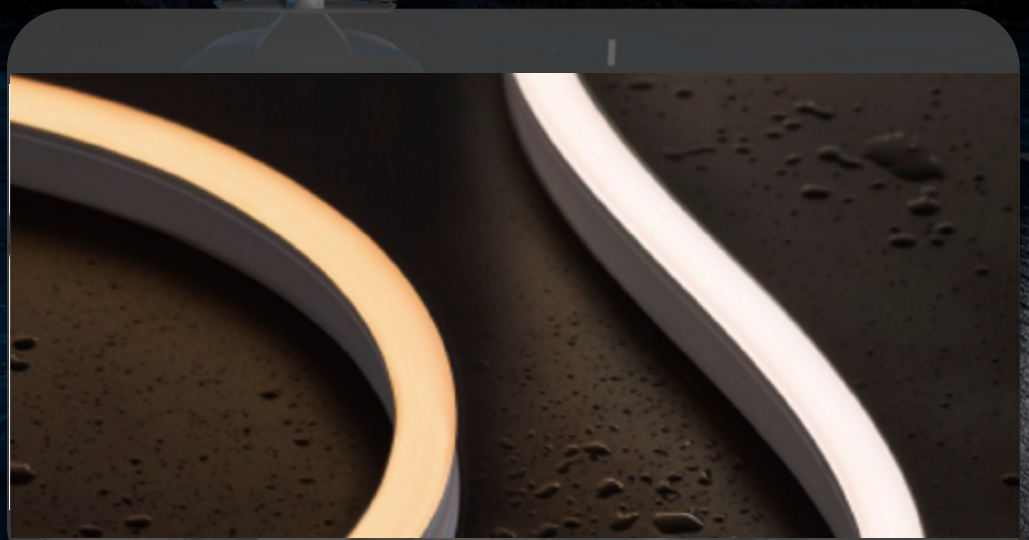
Features

- Input: 24 VDC
- Power Consumption: 10W/M
- IP rating: IP67
- CRI: 90+
- 300lm/m

Versions:

- CCT

 3000K Warm White



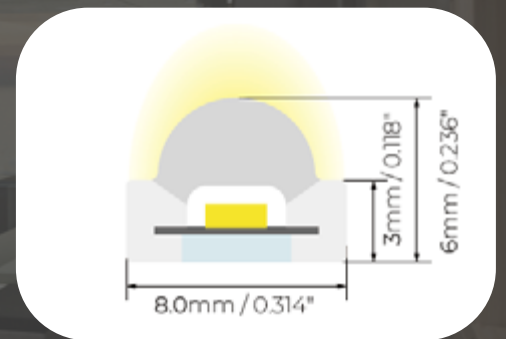
VIVA COB 8



VIVA COB 8



Size:



Features

- Input: 24 VDC
- Power Consumption: 5W/M
- IP rating: IP65
- CRI: 90+
- 660lm/m

Versions:

- CCT

 3000K Cool White



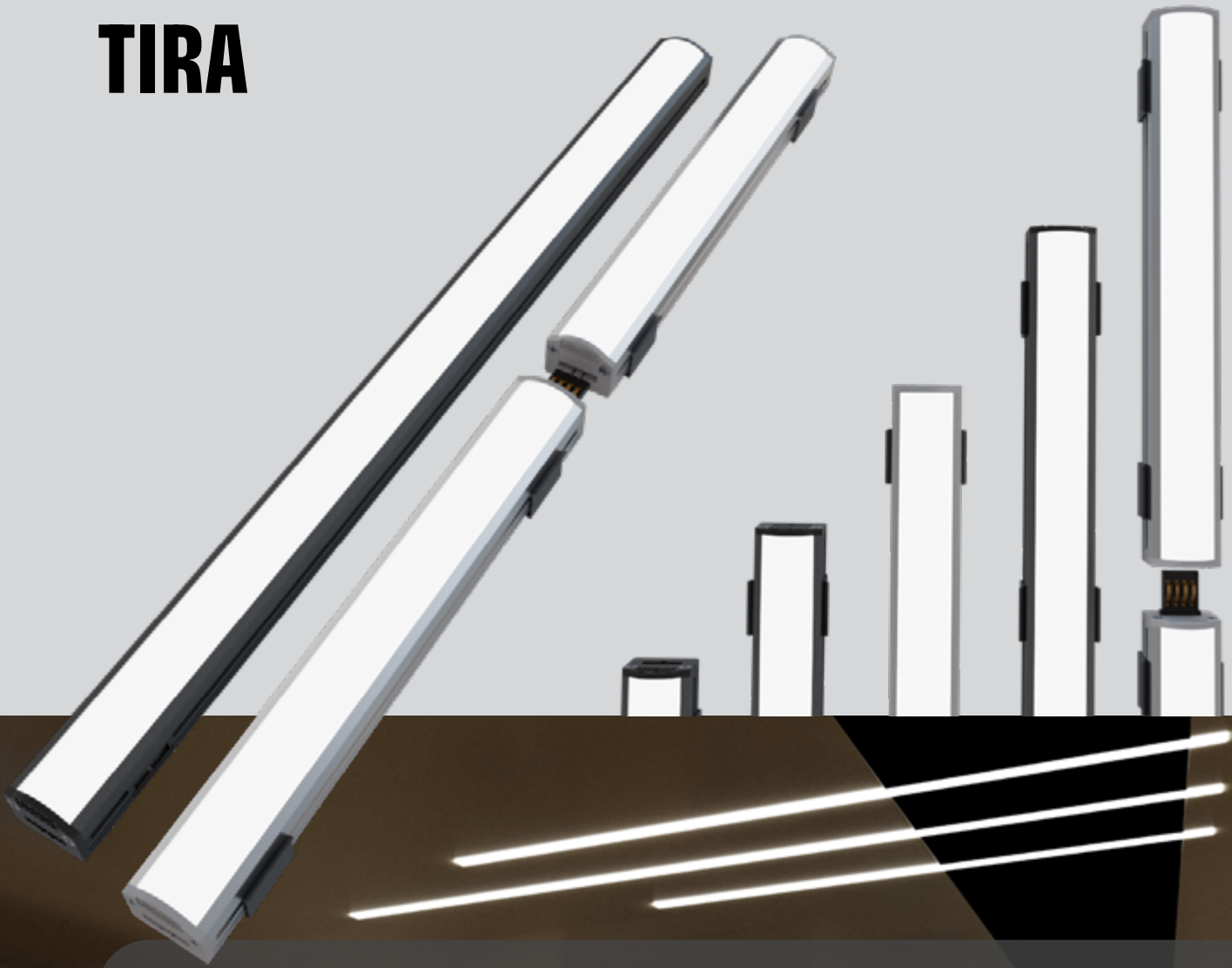
Cabinet Lighting

Illuminate your space with our versatile and energy-efficient LED Yacht & Boat Strip Lighting. Perfect for any application, these strip lights offer a seamless lighting solution that can be designed to fit any environment.



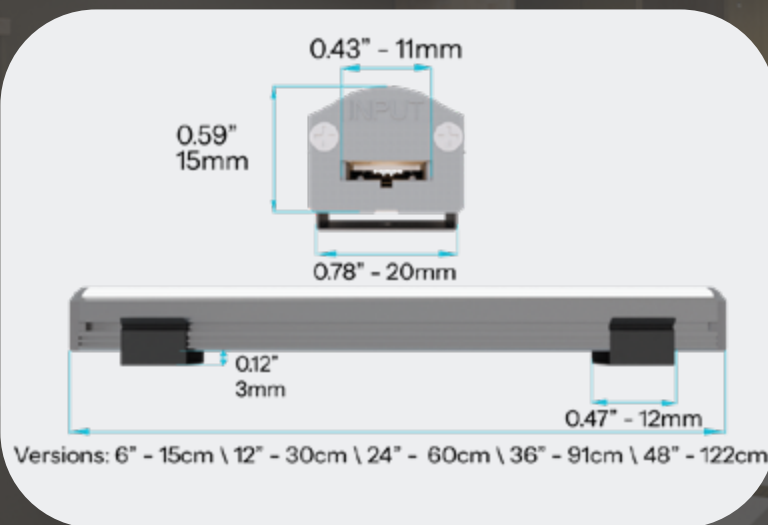


TIRA



TIRA Strip light

Size:



Materials:

- Brushed Aluminum
- Black powder coated



Features

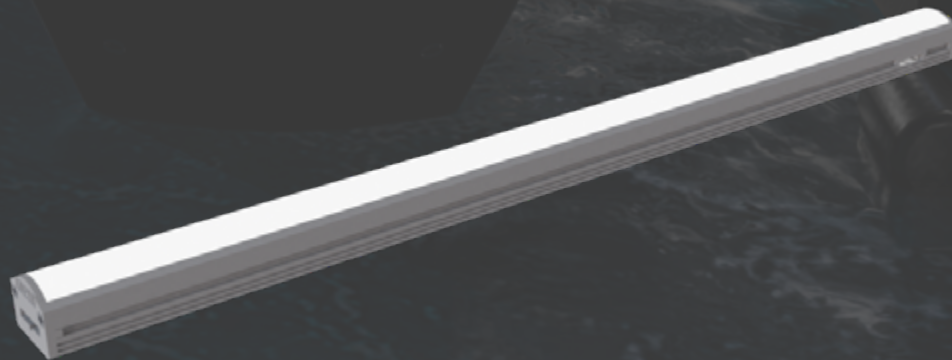
- Input: 24 VDC
- Power Consumption: W= 4.8W
- IP rating: IP65
- CRI: 90+
- 280 Lumens
- ETL Certified

Versions:

- CCT

 3000K Warm White

 4000K Cool White

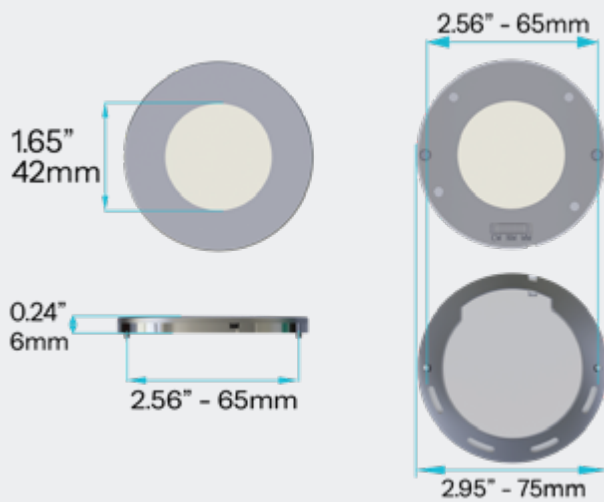


THIN-Q



THIN-Q

Size:



Materials:

- Brushed Aluminum
- Black powder coated






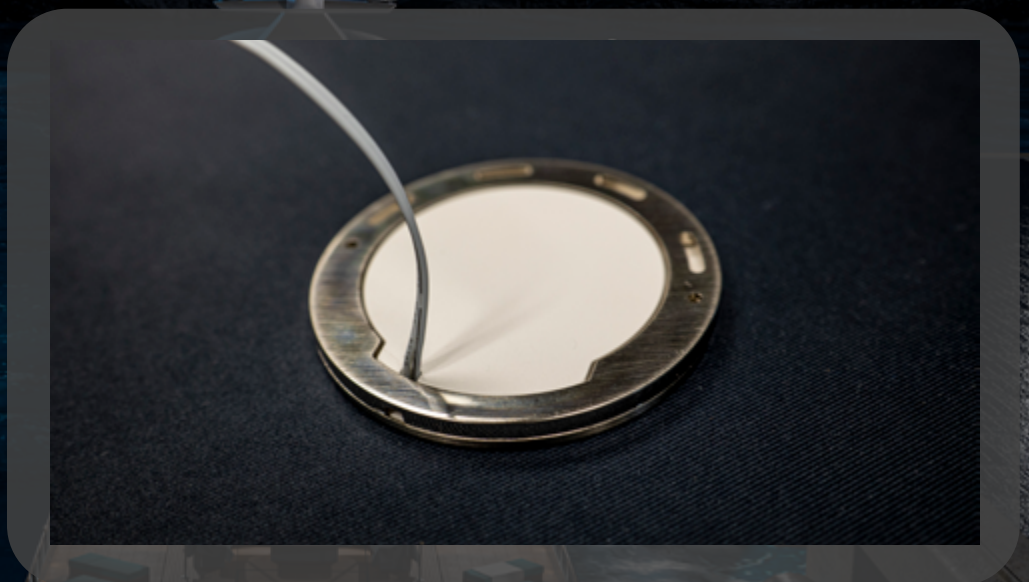
Features

- Input: 24 VDC
- Power Consumption: W= 4.8W
- IP rating: IP65
- CRI: 90+
- 280 Lumens
- ETL Certified

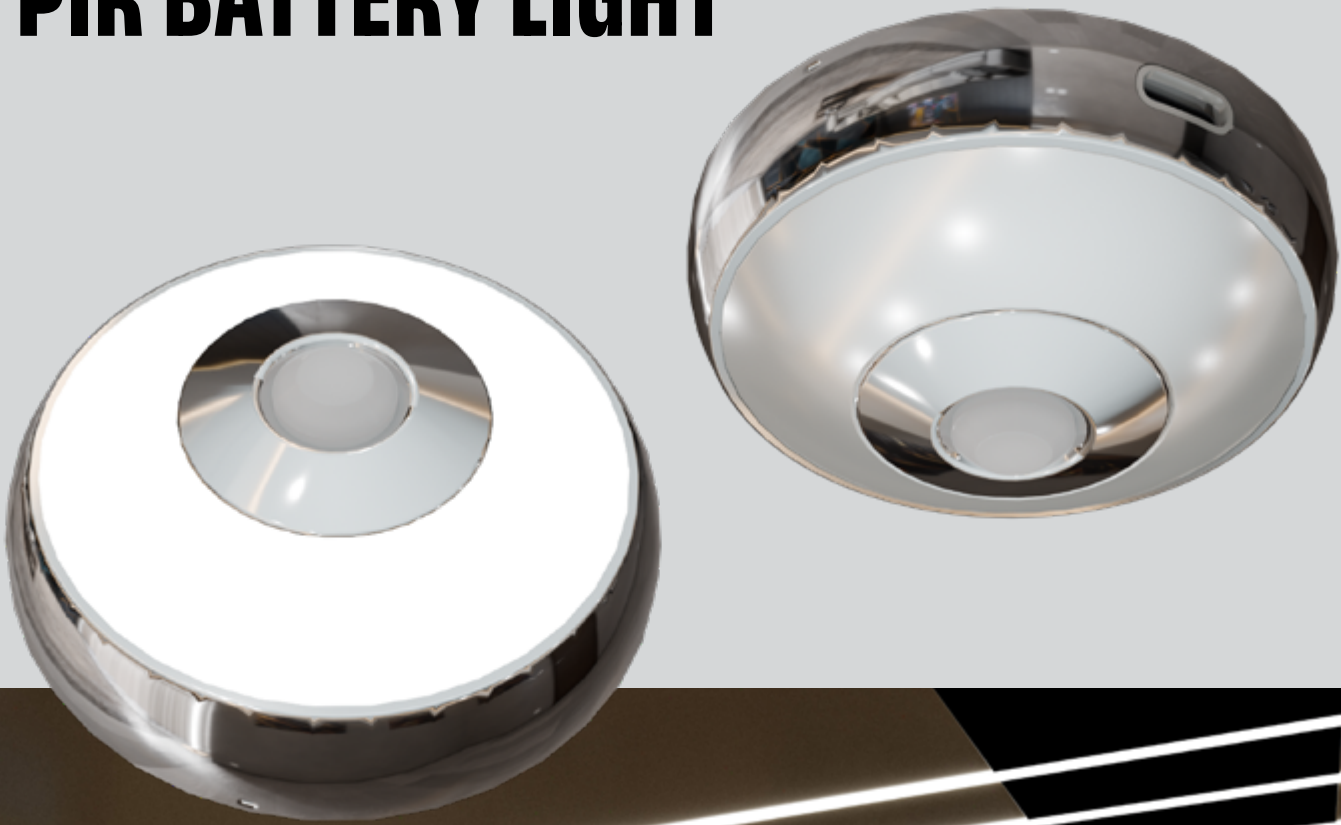
Versions:

- CCT

-  3000K Warm White
-  4000K Neutral White
-  5000K Cool White

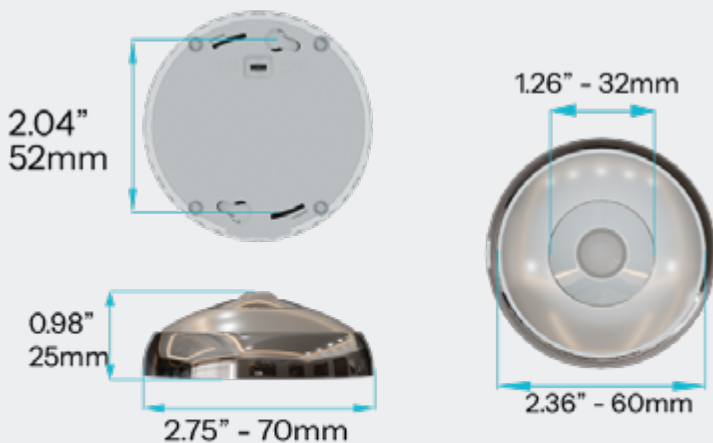


PIR BATTERY LIGHT



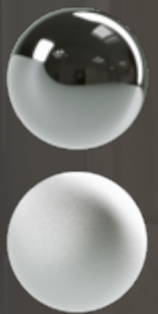
PIR BATTERY LIGHT

Size:



Materials:

- Brushed Aluminum
- Black powder coated



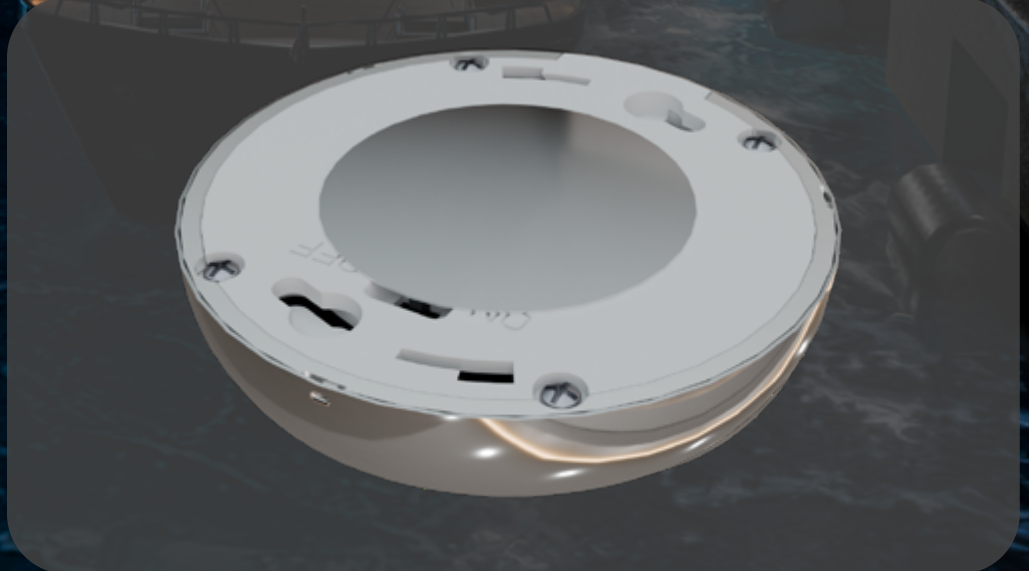
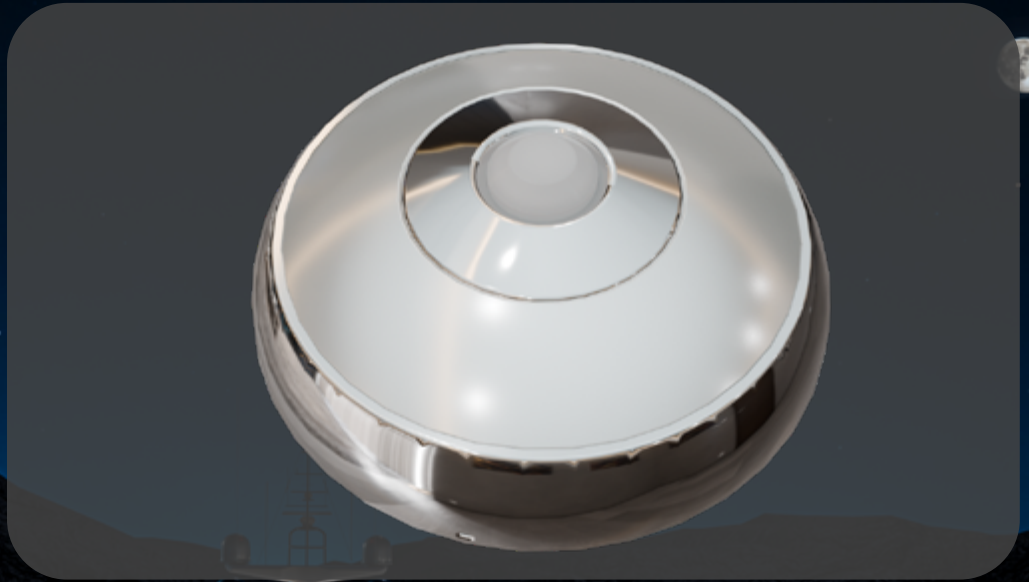
Features

- Input: 5 VDC USB-C
- Power Consumption: W= 1.3W
- IP rating: IP20
- CRI: 80+
- 80 Lumens
- 1000 mAh Battery

Versions:

- CCT

 4000K Neutral White



Engine Room Lights

Illuminate your engine room with the superior performance and durability of our marine-grade LED engine room light solutions. Designed specifically for the harsh conditions of marine environments, our engine room lights offer high brightness, energy efficiency, and long-lasting durability.

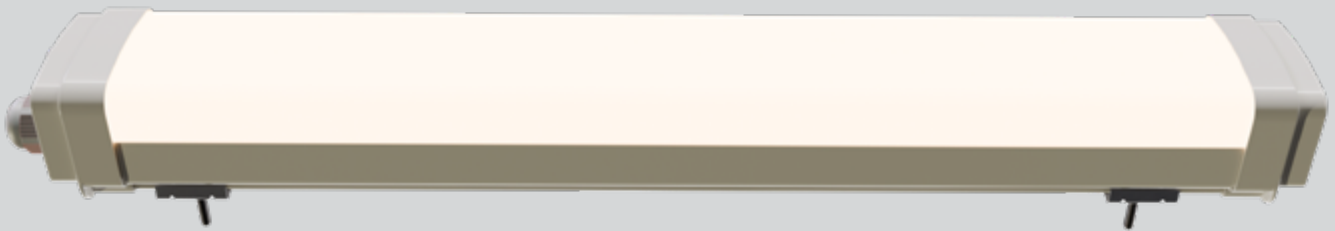




WARNING
DO NOT ATTEMPT TO
REPAIR OR SERVICE
CONTROL SYSTEM
ELECTRICITY

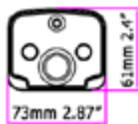
ART TRAC

Engine Room with emergency backup 600 / 1200



Engine Room 600/1200

Size:



61mm 2.4\"/>



536mm 21.10\"/>

Materials:

- Brushed Aluminum
- Polycarbonate



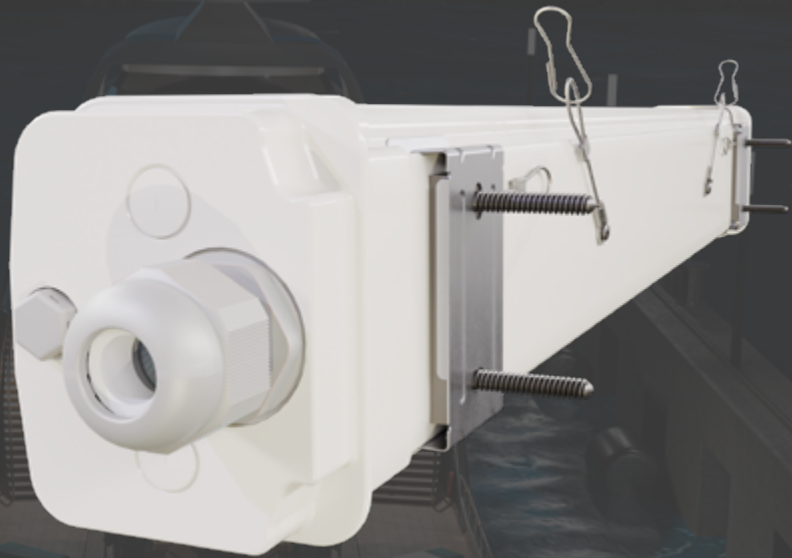
Features

- Input: 24 VDC
- Power Consumption: W= 32W / 18W
- IP rating: IP65
- CRI: 80+
- 6000 / 4000 Lumens
- ETL Certified
- Emergency backup power

Versions:

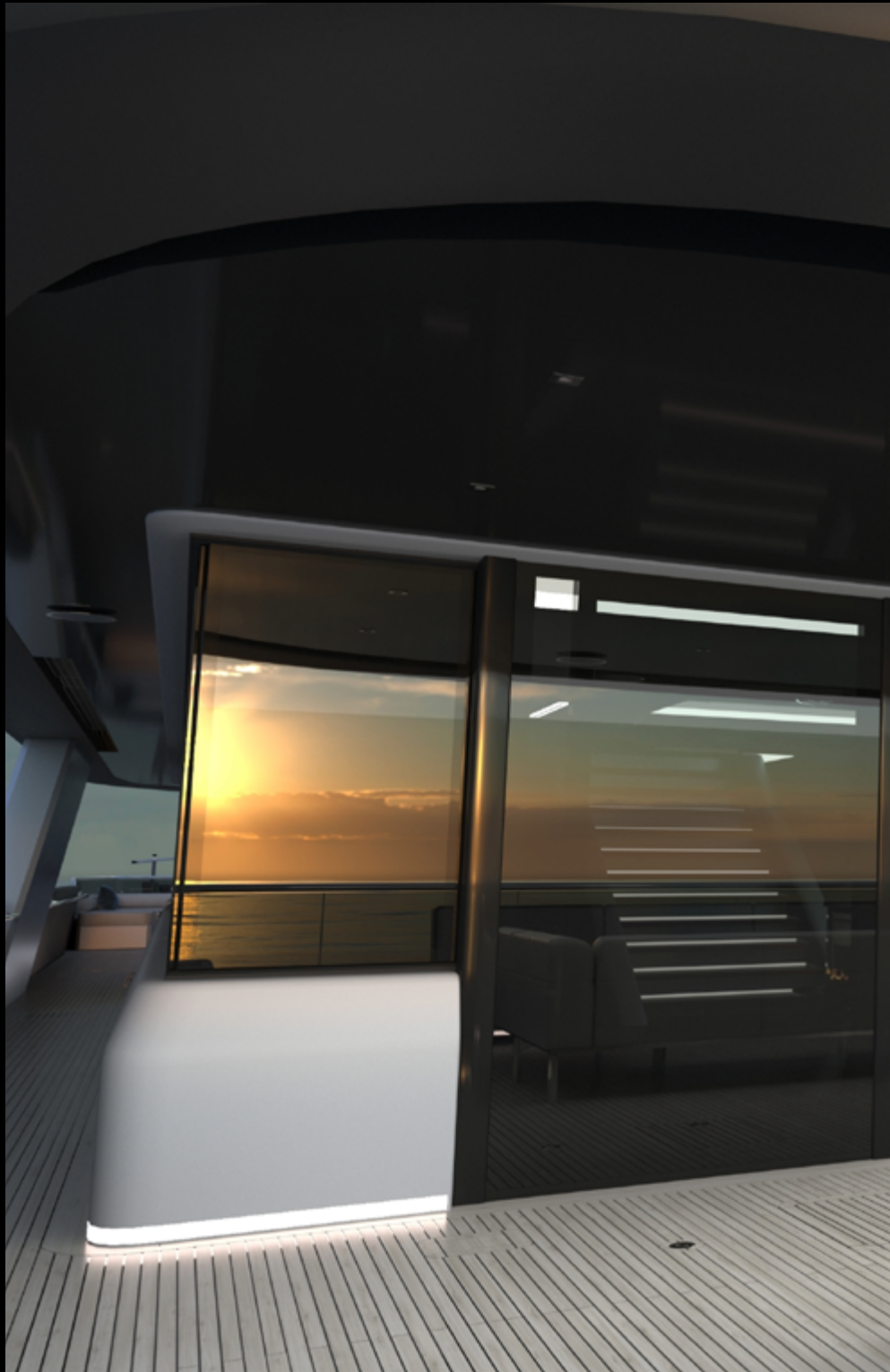
- CCT

■ 5600K Cool White



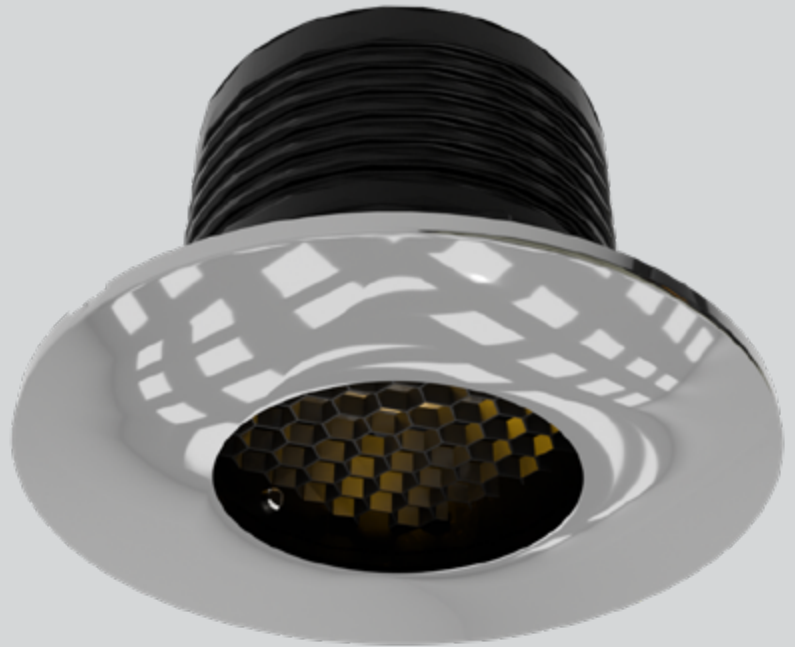
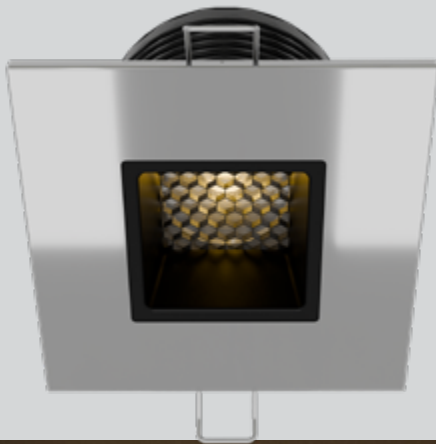
Recessed Spot Lighting

K2 Lighting's marine-grade LED spotlights deliver powerful, focused illumination to highlight specific areas on your vessel with precision and reliability. Built to endure demanding marine conditions, these spotlights combine energy efficiency with exceptional brightness, making them ideal for enhancing visibility, safety, and style on the water.



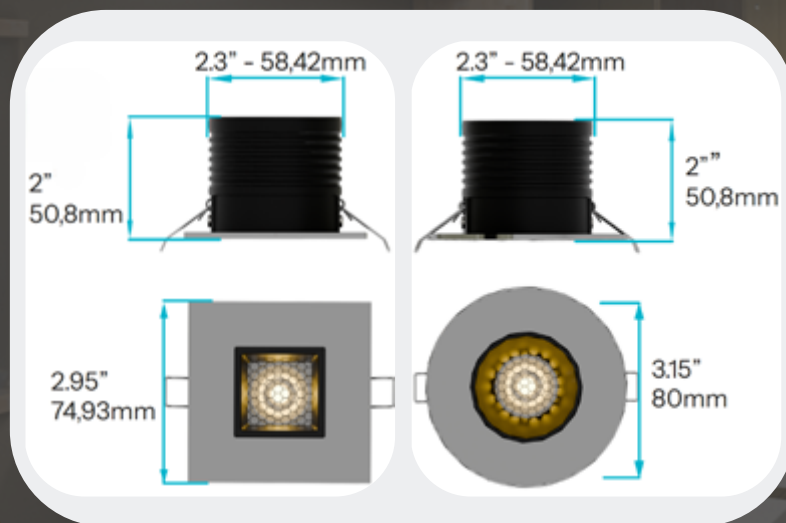


Cira - Recessed glare free Spotlight



CIRA

Size:



Materials:

- Chrome
- Satin
- Black powder coated
- White Powder coated



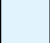


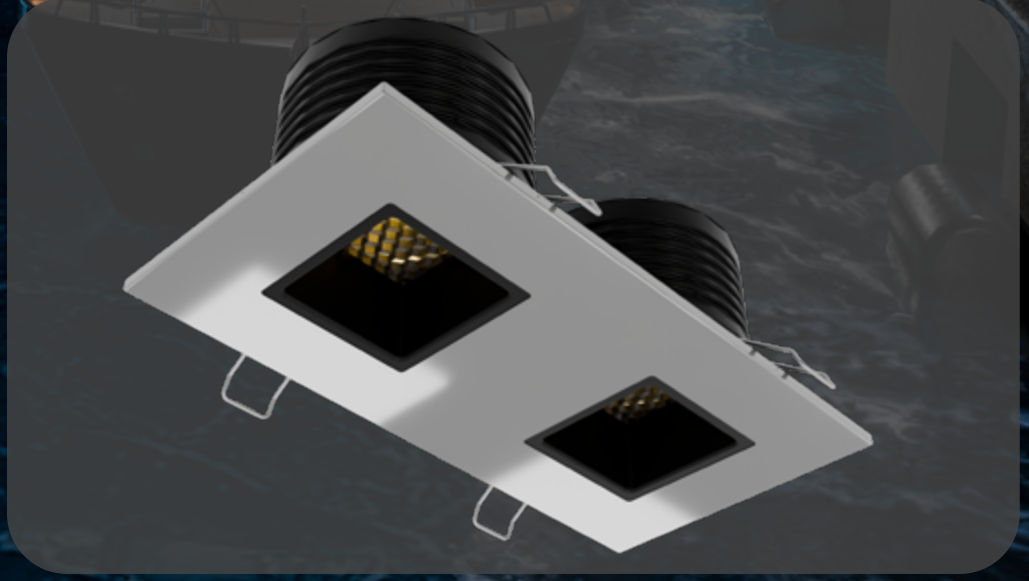
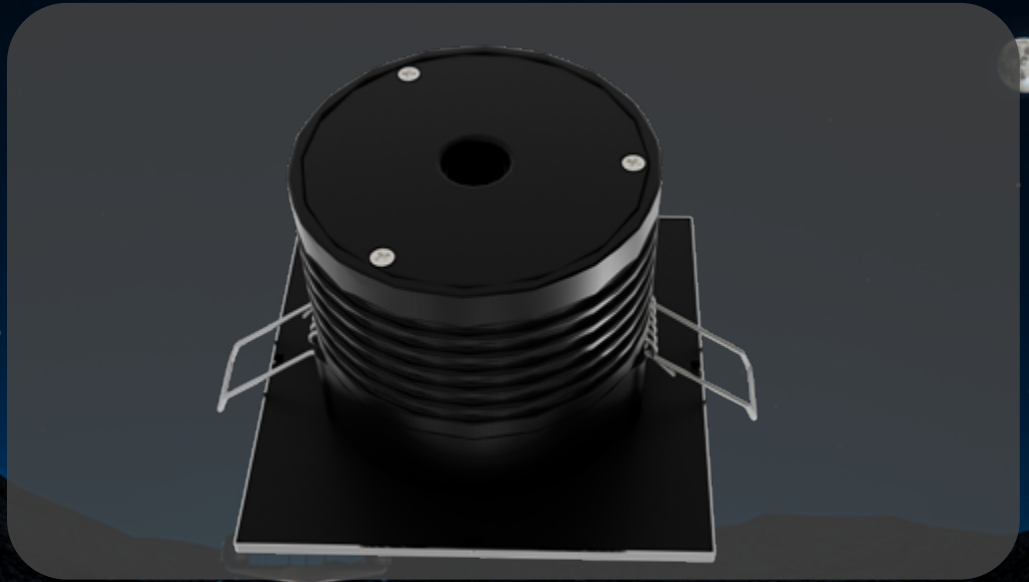
Features

- Input: 22-28 VDC
- Power Consumption: 6W
- CRI: 90+
- IP rating: IP44
- 300-540 Lumens
- ETL Certified
- 4 Wire Selectable CCT

Versions:

- CCT

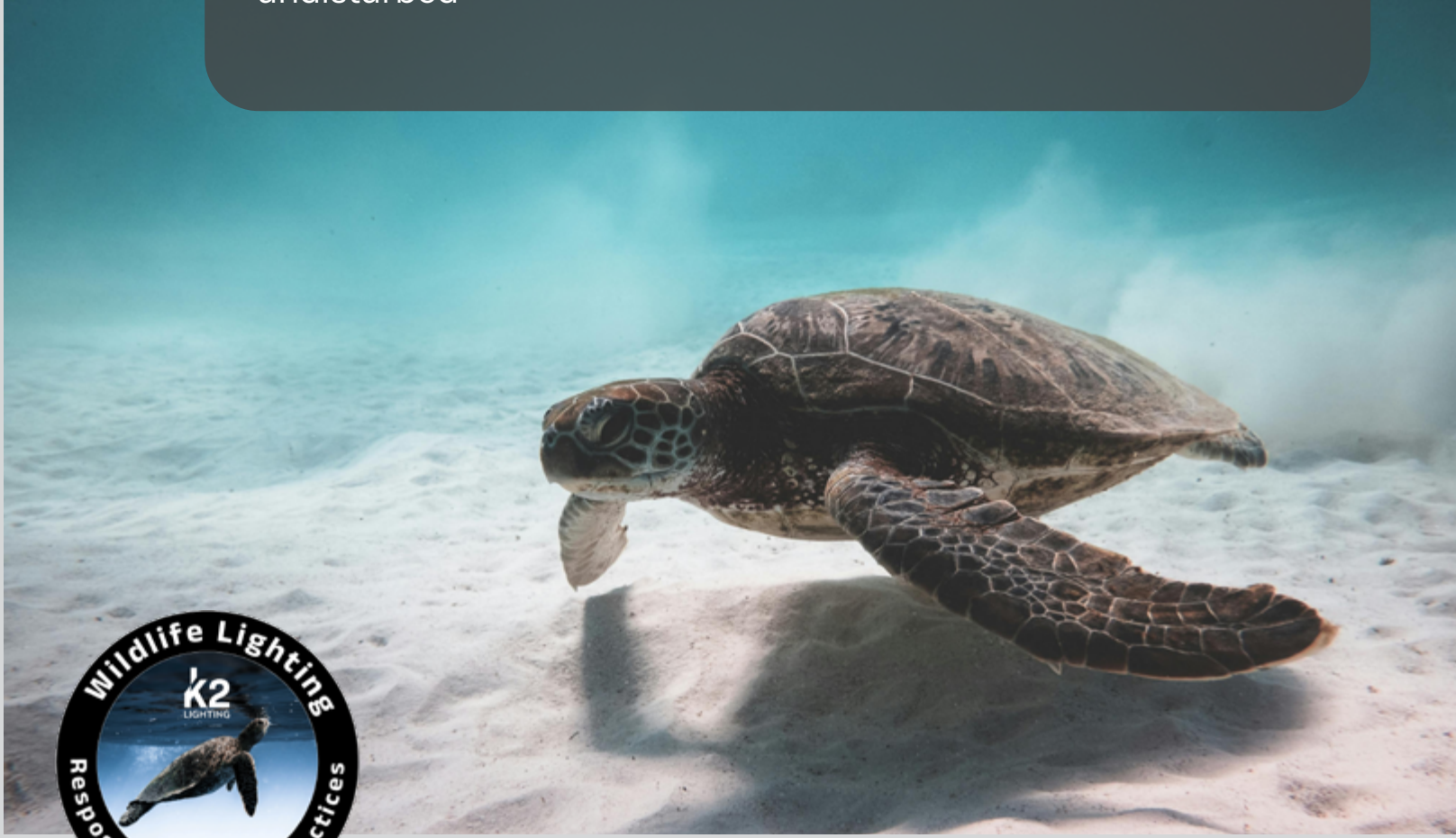
-  3000K Warm White
-  4000K Cool White
-  5000K Daylight





Our Mission

At K2 Lighting, we are committed to more than just illuminating the seas; we prioritize the preservation of marine life. Our revolutionary marine lights are designed with a specific focus on safeguarding sea turtles, ensuring their habitats remain undisturbed



Experts in Marine Lighting



A Lifesaving Difference

Unlike conventional lighting systems that disrupt the natural behaviors of turtles, we produce lights that emit long-wavelengths, with readings of 560 nanometers (nm) or higher. These wavelengths are invisible to turtles, ensuring they can navigate their environments without interference.

Preserving Ecosystem Harmony

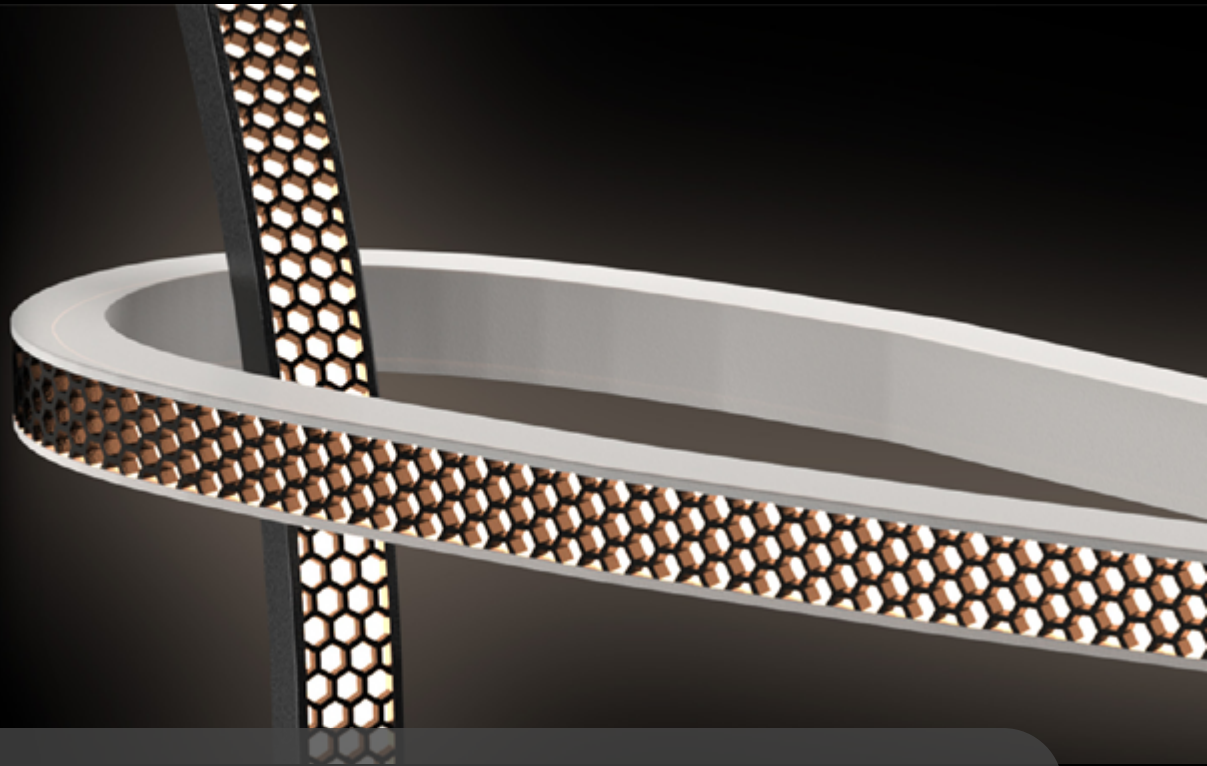
By choosing K2 Lighting, you're not only investing in superior illumination but also contributing to the conservation of delicate ecosystems. Our lights play a crucial role in maintaining the balance of marine life, allowing turtles to thrive without disruption.

Join the Movement

Join us in our mission to protect marine life by choosing K2 Lighting for all your marine illumination needs. Together, we can make a tangible difference in preserving the beauty and biodiversity of our oceans for generations to come.



About us



K2 Lighting has been a stalwart in the illumination industry, proudly marking a decade of excellence in providing cutting-edge lighting solutions. As a member of the National Marine Manufacturers Association (NMMA), K2 Lighting aligns its marine portfolio with recognized industry standards and best practices.



Index

The Vista Series 6

- VISTA 7 8
- VISTA 6 10
- VISTA 5 12
- VISTA 4 14

The Sol Collection 16

- SOL 1.5 18
- SOL 2.5 20
- SOL 1.5 Compact 22
- SOL 2.5 Compact 24

The Bravo Series 26

- BRAVO 30C 28
- BRAVO 30G 30
- BRAVO 35C 32
- BRAVO 35G 34
- BRAVO 40C 36

Courtesy Lighting 38

- Puerto 1 40
- Puerto 2 42
- MURO OVAL MARKER 44
- PASO COURTESY LIGHT 46

Strip Lighting 48

- Viva Silicone 3D 50
- VIVA Silicone HEX 3D 52

- VIVA Silicone HEX Enclosed 54
- VIVA Silicone Large 1617 56
- VIVA Silicone Medium Top 1212 58
- VIVA Silicone Mini Top 0606 60
- VIVA Silicone Medium Side 1220 62
- VIVA Silicone Small Side 0612 64
- VIVA COB 8 66

Cabinet Lighting 68

- TIRA 70
- THIN-Q 72
- PIR BATTERY LIGHT 74

Engine Room Lights 76

- Engine Room Light 600 / 1200 78

Recessed Spot Lighting 80

- Cira - Recessed glare free 82
- Spotlight 82

Our Mission 84

About Us 86

k2

LIGHTING



Contact

Website: www.k2lighting.com

Toll Free phone: 1-844-423-1213

Email: contact@k2lighting.com