



C/SEED

THE UNFOLDING TV

C/SEED

T H E U N F O L D I N G T V



A PROUD HERITAGE

C SEED Entertainment Systems matches minimalistic design with impeccable craftsmanship to create leading-edge luxury electronics. This award-winning company was founded in 2009 by Alexander Swatek together with Jakob Odgaard and Jorn Sterup, two former Bang & Olufsen managers. It is headquartered in Vienna, Austria, with a showroom and branch office in Beverly Hills, California.

In 2013, C SEED changed the course of TV history, introducing the company's first product and redefining "grand entrance" forever: The ground opens. A monumental back column rises up to first-floor height. On its top, a MicroLED screen unfolds to a stunning, five-meter wide, dazzlingly bright display.

At long last, lounging in the open air while enjoying the very best high-end sound and vision under the sun or the stars is available at the push of one single button.

Enter C SEED 201: The world's first outdoor MicroLED TV is the literally groundbreaking success of a collaboration between C SEED and Porsche Design. They started out with the explicit intent to introduce an all-new luxury product category and wound up creating an award-winning style icon with impact across generations.

Almost immediately, C SEED received requests from the superyacht industry and set out to take this groundbreaking design to sea. Accommodating to the typical space restrictions on yachts and the special technical demands of marine environments required an enormous engineering effort. Its proud result is the C SEED Supermarine TV, made to set new entertainment standards for superyachts.

Never slowing down for even a moment's rest on these laurels, the team joined forces with audio specialist L-Acoustics to push the limits of total outdoor sound. Together they created the C SEED Hyde 125 to meet the most radical demands of high-end audio lovers in search of ultimate power and elegance. Yet, this truly extraordinary journey was far from being over. C SEED turned around to innovate indoor TV, once again beating all reasonable expectations by launching the world's first foldable 165 inch MicroLED TV.

RED DOT: The sleek, functional look of the C SEED 201 has won the "Red Dot: Best of the Best" product design award. Porsche Design Studio has shaped this giant outdoor TV as a high-tech sculpture, combining elegant minimalism with a flamboyantly crowd-pleasing performance.



reddot design award
best of the best

INDOOR TV

N1

THE SCULPTURAL FOLDING SCREEN

C SEED N1 165/137/110

Luxury TV brand C SEED introduces Next Level TV: The C SEED N1 TV reshapes interior design and transforms the media experience, combining cutting edge technology with avant-garde style in a giant folding screen of striking sculptural

quality. It is a minimalist sculpture, a kinetic work of art: Initially invisible, the N1 suddenly grows huge, rising up, unfolding its 4K MicroLED screen and settling on an aluminum base of timeless beauty.









The C SEED N1 TV is an object of singular refinement and a perfectly balanced match for both classic and contemporary interior design environments. With its minimalistic floor stand it gives the impression of a one-piece sculptural element that reflects contemporary architectural sensibilities. With its screen able to rotate up to 180 degrees left and right it adjusts smoothly to all viewing situations. When not in use, it discreetly folds back onto its base, a stunning piece of kinetic art.

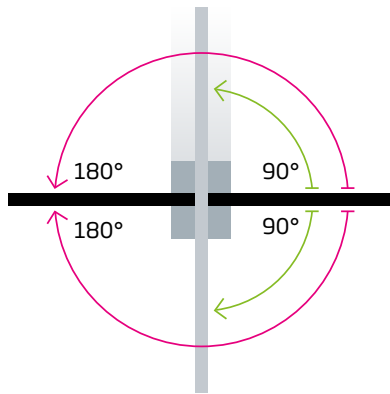




The C SEED N1 features 4K MicroLED technology and HDR10+ support. Its special physical screen surface coating helps to produce truest blacks and amazingly vibrant colors with practically no glare. C SEED's patented Adaptive Gap Calibration makes the borders between the screen panels disappear to provide a perfectly seamless visual experience. The N1 comes with an integrated speaker system, helping create an immersive audio-visual experience.

Flexible positioning

Place your TV in front of a glass window or a wall, there is no limit. Its easy-to-install and practical design adapts to your needs in any environment.



TV rotation: 180° left and right
or 90° left and right





Classic & Statement Colors

Our nine Classic Colors and sixteen Statement Colors offer a broad palette to define the N1's visual identity. With surface finishes ranging from high-gloss to semi-gloss, matte, and metallic—and seven customizable design elements—the TV can be tailored precisely to complement any interior.

Wood Finish & Bespoke

Our refined Wood Finish options add natural warmth and material depth, enhancing the N1's sculptural presence. Through our Bespoke program, we invite you into a collaborative dialogue where your design vision meets our craftsmanship, enabling entirely unique combinations of colors, materials, and finishes that bring personalized elegance to any space.



CENTER SLIDING



With the new Center Slider option, the TV can now glide smoothly into the exact center of the base plate, creating a perfectly balanced and visually harmonious installation. This added mobility offers greater freedom in room design, ensuring

the screen aligns precisely with your seating position or architectural layout. Whether you're aiming for a symmetrical focal point, need greater flexibility in positioning, or simply prefer a cleaner, more centered aesthetic,

the Center Slider provides a refined and effortless solution. The movement is engineered to be silent, stable, and precise - fully in line with C SEED's commitment to premium mechanical performance and elegant design.



C SEED MEDIA CONTROLLER –
ONE BOX, UNLIMITED POSSIBILITIES.



The C SEED Media Controller unifies audio-video processing, programmable logic control, video input selection, and system control PC functionality into a single, beautifully engineered unit that discreetly sits beside your N1 TV. Installation becomes true plug-and-play, eliminating the need to run specialized cabling through multiple rooms - no dedicated rack or control room is required.

Faster installation: N1 TV and controller can be positioned in one room—one box, one power line, and short, local cable runs.

Cleaner design: The need for an AV rack and a separate tech room becomes obsolete, enabling pure, seamless, and purposefully clean aesthetics.

Greater reliability: Fully integrated, single-source hardware reduces interfaces compared to third-party equipment and simplifies servicing.

Unified control: Manage the entire transformation from sculpture to TV, select the desired input, adjust brightness, and control volume - all with one device.

Easier integration: Setting up the N1 TV as a single video and 2.1 audio source is as straightforward as integrating it into your home cinema.

Clean interior. Seamless control. Ready for performance.



M1

THE WORLD'S FIRST UNFOLDING INDOOR TV

C SEED M1 165/137/110

The C SEED M1 pushes every existing envelope - with its philosophy, design and technology. Brace yourself for a never-before TV experience: Far beyond the capabilities of LCD and OLED, the latest 4K MicroLED technology creates amazingly vibrant colors and a truly stunning resolution with 1,000 nits brightness and 64 billion colors.

The all-important black is deep and accurate like never before because of a special screen surface treatment.

At the push of a button, the floor opens and within seconds, a sleek column of machined aluminum rises silently from

the ground, unfolding a 165, 137 or 110 inch screen of impressive size and settles down smoothly to provide you with an overwhelming entertainment experience. Understatement is the art of impressing without visible effort. C SEED M1 is the essence of elegance.

Lean back in your favorite fauteuil and switch the remote control. Pick content from the integrated 4K media server and enjoy a viewing experience that, up to now, was simply unavailable outside a private movie theatre in a remote corner of your home.







M1
CREATE DIFFERENT



Creating the M1, C SEED relied on one guiding principle: When making choices, simply pick the uncompromising best in design, engineering, technology and precision.

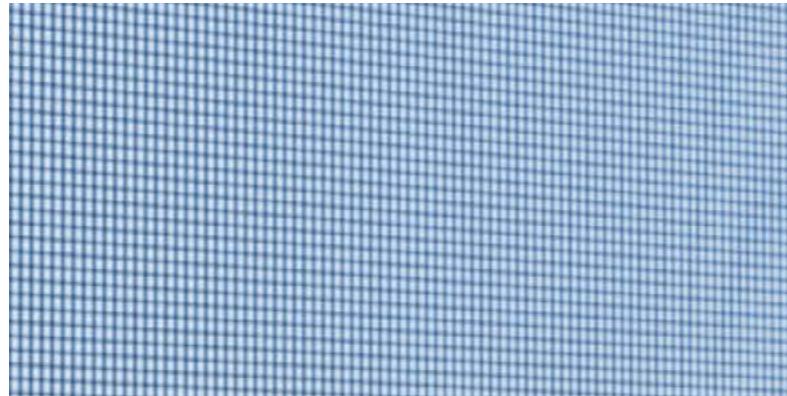
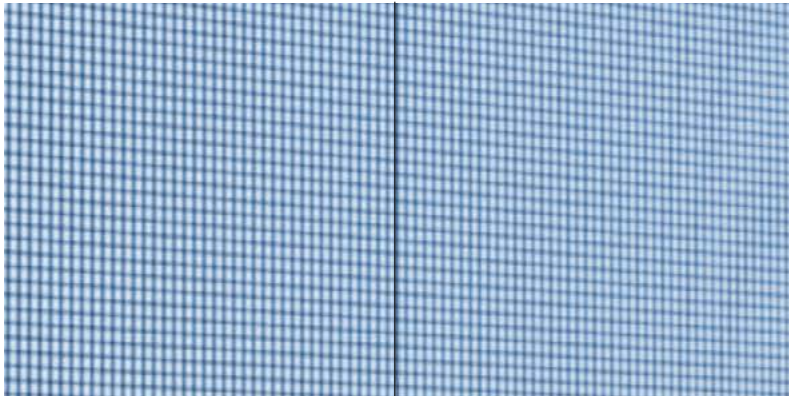
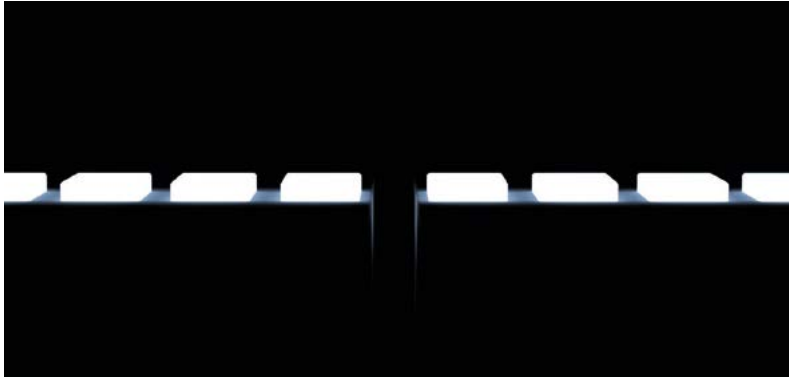
Artist Stefan Pani, a University of Applied Arts Vienna graduate, made smart use of the possibilities that kinetics and material offered. He created a frame with integrated soundboard that unfolds and then settles smoothly on a base made up of four plates.

That way, we created the one and only foldable 4K screen in a machined metal frame - and the most breathtaking TV experience ever.



AGC

ADAPTIVE GAP CALIBRATION



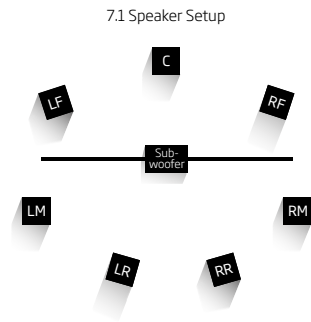
Folding high-resolution MicroLED screens are here - the luxury TV revolution is on. Folding screen pioneer C SEED leads the way with the patented game-changing Adaptive Gap Calibration: AGC is an automatic distance measuring and calibration system that creates totally seamless foldable TV surfaces, free from any visible gaps.

High-resolution sensors detect potential offsets between the folding TV wings, measuring fractions of millimeters and autonomously calibrating the corresponding LEDs' specific brightness to render gaps invisible. C SEED's patented AGC technology guarantees the perfectly seamless indoor TV experience.

TOTALLY
SEAMLESS: AGC
PATENTED ADAPTIVE GAP CALIBRATION

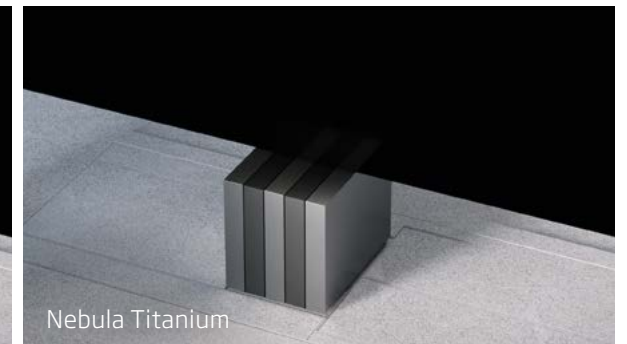
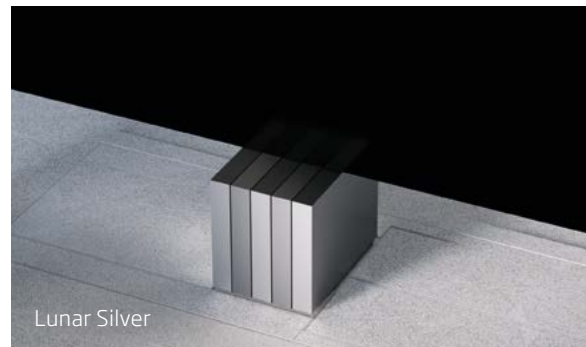
TOTAL QUALITY SOUND

Every C SEED M1 comes with onboard 2.1 high-end audio for total quality sound to match the screen's unparalleled visual quality, with the soundbar organically integrated into the frame design. The necessary interfaces for latest external audio up to 9.2 are on board as well.



THE C SEED M1 IS AVAILABLE IN THESE ELEGANT COLORS

Lunar Silver - Velour Black -
Aurora Gold - Nebula Titanium



FIXED
INDOOR TV



C/SEED

THE WORLD'S LARGEST
4K MICROLED TV



C SEED BLADE 221/165/137

C SEED introduces the Blade 221/165/137: An enormous 4K display with MicroLED technology for highest contrast, latest UHD technology for a totally dynamic picture with a color spectrum worlds beyond conventional TV screens. Stunning 1,000 nits brightness for perfect viewing experiences in even brightest daylight conditions, on-board 4K media server

and six integrated high-end speakers for total quality sound in 7.1 or 9.2 cinema surround configurations. Lean back in your favorite fauteuil and switch the remote control. Pick content from the integrated 4K media server and enjoy a viewing experience that, up to now, was simply unavailable outside a private movie theatre in a remote corner of your home.

C SEED Control Server Rack and radio remote control

The C SEED comes with its own control server which can be combined with almost any high-end home automation system or individual surround audio system. C SEED's specially designed 2.4 GHz radio remote control covers distances up to 25 meters, enough for even the largest rooms.

REVOLUTIONARY TECHNOLOGY

Unparalleled picture quality and contrast ratio

Latest MicroLED technology provides the giant Blade with an unparalleled color spectrum, light years beyond the performance of standard LCD TV screens. LEDs produce a superior contrast ratio of 30,000:1 and, if needed, total black.

The brightest TV

With 1,000 nits brightness and superior contrast ratio, the screen provides a unique, cinema-like experience in absolutely all ambient light conditions. Enjoy picture-perfect entertainment even in glaring sunlight flooding your living room.

HDR and 16-bit grayscale processing

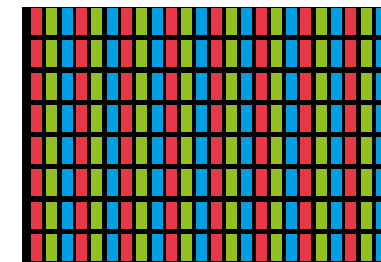
Highly saturated colors and a bottomless, deep black are benchmarks of superior picture quality and picture processing power. The Blade TV uses state of the art HDR processing, supported by 16-bit grayscale processing, to create a truly overwhelming viewing experience.

170° viewing angle

A 170° viewing angle without any brightness drop-offs or color shifts is exceptionally rare, even in much smaller screens. This performance places the giant Blade in a whole new category.

Perfect sound - and total silence

The Blade carries up to six high-end coaxial speakers in its soundbar, enough to turn even the largest living rooms into concert halls or movie theaters. In spite of all the sound power it packs, the Blade is also capable of total silence, because it does not carry a cooling fan. Enjoy the Sound of Silence on a whole new level.



- Ultra-luminous 1,000 nits MicroLED modules
- 16-bit color depth
- 64 billion colors
- Broadest color spectrum available

OUTDOOR TV



N1
UNFOLDING OPEN AIR
SCULPTURE



C SEED N1 165/137

C SEED announces the future of outdoor TVs: The C SEED N1 Outdoor TV is a perfect marriage of the brand's heritage, craftsmanship and luxurious minimalistic aesthetic.

The C SEED N1 Outdoor TV makes its debut with a flair for the dramatic.

What looks like sheer magic is in fact an astounding feat of advanced engineering. With its minimalistic floor stand it gives the impression of a one-piece sculptural element that reflects contemporary architectural sensibilities.

The N1 Outdoor TV takes only 60 seconds to rise to its height of three meters and five MicroLED panels unfold in the next 25 seconds to create a seamless monumental 165 or 137 inch display. The panels interlock to form a seamless TV screen that bursts into action with best-in-class pixel power for ultra-high resolution images in any daylight environment, including direct sunshine. For ultimate viewing comfort, the screen rotates 180 degrees left and right, to be viewed between lounge area, swimming pool or jacuzzi.

Lounging in the open air while enjoying the very best entertainment under the sun – or the stars: The C SEED N1 Outdoor TV features MicroLED technology and HDR support. Its special physical screen surface coating helps to produce truest blacks and amazingly vibrant colors with practically no glare. C SEED's patented Adaptive Gap Calibration makes the borders between the screen panels disappear to provide a perfectly seamless visual experience.





Multisensory experience

The N1 Outdoor TV offers an immersive viewing and listening experience; the TV has two built-in 100 watt broadband coaxial speakers and integrated subwoofer in the column, with additional twin coaxial speakers in each wing. The necessary interfaces are designed with a wide soundstage in mind, from 5.1 up to 9.2 surround sound, making it easy to create the outdoor theatre experience. The soundbar is organically integrated into the frame design.

Unparalleled Features

C SEED's 4K MicroLED technology is a revolutionary leap ahead, providing twice the color purity and a far wider color gamut than conventional LED screens, creating fully natural colors, optimum peak brightness and most accurate grayscale images. The N1 features HDR10+ support, 16-bit color processing, 4,000 nits of brightness, a refresh rate of 3,840 Hz, and 7,000:1 contrast.

Totally seamless

Unfolding screen pioneer C SEED leads the way with the game-changing Adaptive Gap Calibration: AGC is an automatic distance measuring and calibration system that creates totally seamless foldable TV surfaces, free from any visible gaps. High-resolution sensors detect potential offsets between the folding TV wings, measuring fractions of millimeters and autonomously calibrating the corresponding MicroLEDs specific brightness to render gaps invisible.

Weather-resistant

Rain or shine, enjoy outdoor entertainment all year round. The N1 Outdoor TV is weatherproofed to withstand the elements. You can leave it outside all year round without getting damaged by rain, seawater or snow. Reliable wind and temperature sensors prevent adverse outdoor conditions from damaging the TV.





THE WORLD'S LARGEST OUTDOOR TV

C SEED VERTICAL 201/144

The C SEED Vertical Outdoor TV wraps ultra-powerful technology into rigorously streamlined aesthetics created by Porsche Design Studio. Simplicity of form, durable high-grade materials and impeccable workmanship are combined in an austere imposing installation.

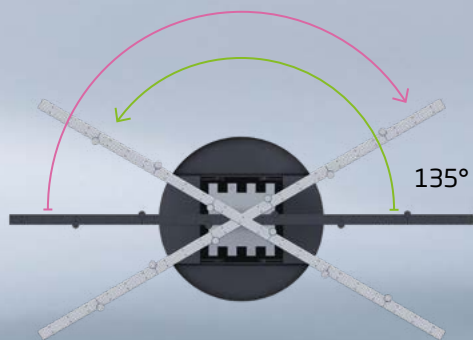
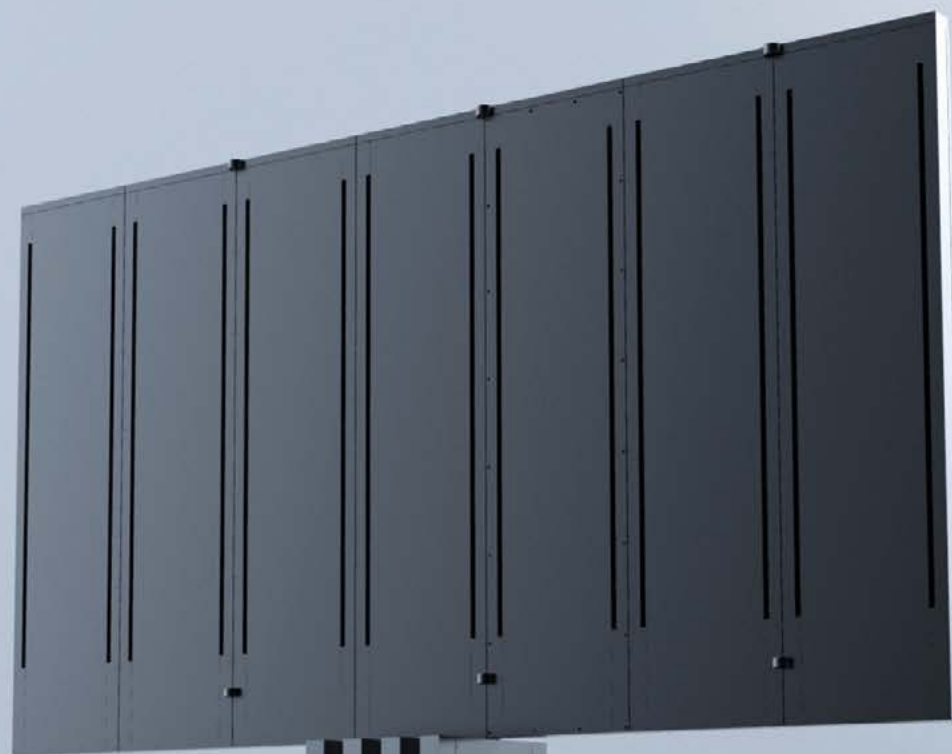
The C SEED Vertical TV is hidden in its underground storage casing, waiting for activation by a simple push of a button on the remote control. The TV column takes 15 seconds to achieve its full height of 4,65 m (15 ft) with effortless ease. Seven massive MicroLED panels

unfold equally soundlessly within the next 25 seconds. The panels interlock to form a seamless TV screen that bursts into action with revolutionary pixel power for ultra-high resolution images in any daylight environment, including direct sunshine. Each of the over 2,963,520 MicroLEDs processes image data up to 100,000 times per second, enabling the C SEED 201 to display 64 billion radiant colors. No other technology generates such an extraordinary color spectrum with similar precision and reliability. With the same ease, the TV submerges into the ground for space saving storage when not in use.





INGENIOUSLY ENGINEERED



- 135° rotation left/right

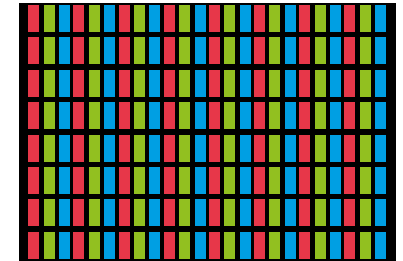
THE BEST AND THE BRIGHTEST

Of all the large-format TV displays for private use, MicroLED screens produce far and away the most brilliant colors. Nothing can compete with the staggering range of vibrant high-resolution colors that make the screen come alive. Along with the screen's exceptional luminosity of 4,000 nits and a high refresh rate, the best pixel pitch ensures crystal clear, true color images, even in brightest daylight conditions.

ULTRA-FAST AND COLORFUL

The C SEED 201 processes image data up to 100,000 times per second, 500 times the refresh rate of a modern TV screen, enabling the TV to display 64 billion radiant colors for smoothly flowing pictures of unparalleled color depth.

C SEED MICROLED TECHNOLOGY



- Ultra-luminous 4,000 nits MicroLED modules
- 48-bit color depth
- 64 billion colors
- Broadest color spectrum available



CONNECTING ALL DEVICES

At the core of the C SEED Vertical is the multi-source media server rack that transfers 4K HD video and audio data to the screen by connecting all existing devices via HDMI.

THE KINEMATICS OF THE TV

Seven LED panels unfold in 25 seconds to create a seamless display.



HIGH-END POWER ACOUSTICS

The sound system is composed of six coaxial speakers for the left and right audio channels and one subwoofer for low frequencies. These speakers are specially designed to withstand the rigors of outdoor use.

ADJUSTABLE IN HEIGHT & ANGLE

The C SEED Vertical TV can be raised, lowered and rotated up to 270 degrees by remote control to achieve the perfect viewing angle.



THE BIGGEST TV
ENGINEERED TO THE MOST
COMPACT PERFECTION



C SEED HLR 201/144

HLR TV systems are designed for all those out there who dream to have the maximum efficiency of their luxurious spaces. Either while relaxing on your roof top or enjoying a glamorous pool party, you can fully rely that HLR models will deliver an outstanding audio visual experience and performance, no matter how unique your requirements may be. To make this happen, our technical department made another additional step forward and developed underground storage compartment for the most compact solution possible. HLR TVs now come with a compartment box, more compact and more shallow and powered by the state-of-the-art horizontal lift mechanism.

C SEED HLR 201 TV takes only 60 seconds to rise to its height of 3 meters and seven MicroLED panels unfold in the next 25 seconds to create

a seamless display. With the same ease, HLR TV submerges into the compartment box for space saving storage when not in use. Its immaculate engineering and clean design, combines the best of two worlds - simple, efficient and flawless execution. HLR system can slide into your view at your roof top, penthouse pool or anywhere you want it to be.

Smart features

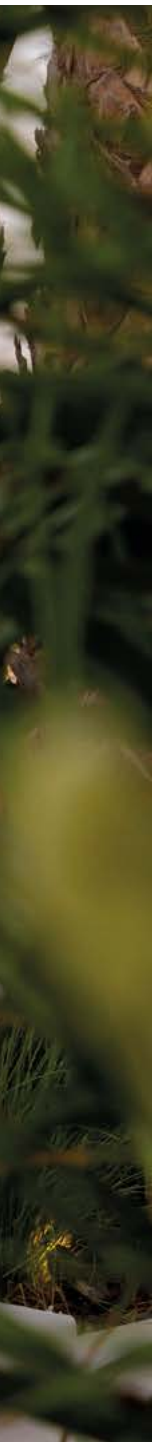
HLR TVs use MicroLED technology for low reflectivity and high brightness. A high-performance integrated sound bar provides crystal clear audio and the new C SEED 4K Ultra High Definition HDR media controller features simple home automation integration with Crestron or similar. Sound system is composed of six coaxial speakers, and optional subwoofer for perfect sound experience.



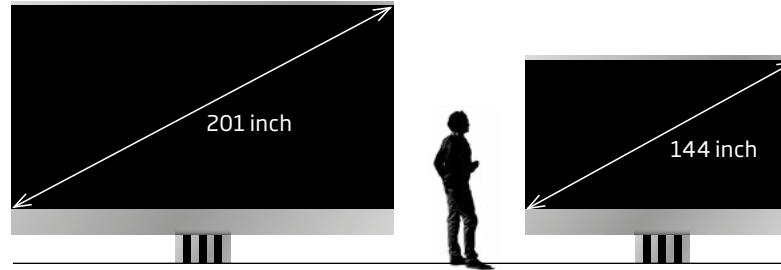


ALL IN ONE
UNIQUE HLR
SYSTEM SOLUTION

Behind all the ingenious specifications that make HLR systems stand out, another notable achievement and upgrade comes from a design spectrum. New "all in one" lifting solution will speed up the installation process - C SEED will provide all equipment, installation, drawings, project management and operational user manuals. Installation time is four to five days with minimal groundwork.



A CHOICE OF SIZES: 201/144 INCHES FEATURES



C SEED HLR TV systems are available in 201 inch and 144 inch screen diagonals to accommodate to the available space for the necessary integration box. Both sets share the same lifting action, design concept and technologies. The size difference results from the number of seamlessly unfolding MicroLED columns, with five columns making up the 144 inch set and seven columns unfolding the huge 201 inch screen.

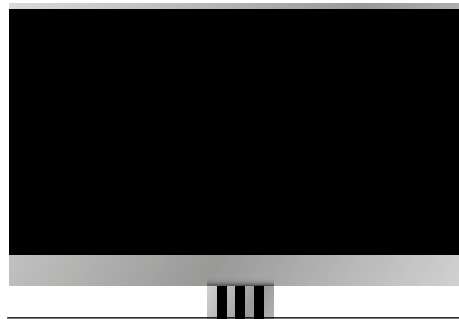
EXTENDED COLUMN OPTION

The HLR TV screens can be ordered with the standard TV column height or with an optional extended column

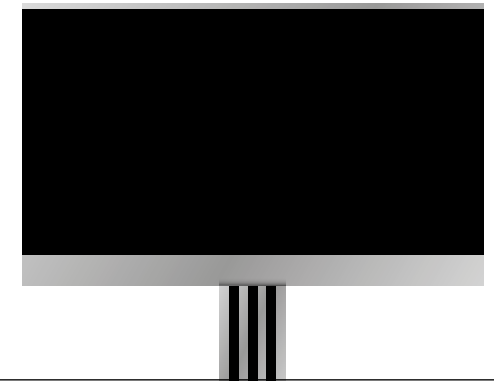
height of 85 cm for the 201 inch and 114 cm for the 144 inch HLR TV. With this additional column you can raise or

lower the screen to the optimum height for any occasion.

C SEED HLR 201



STANDARD

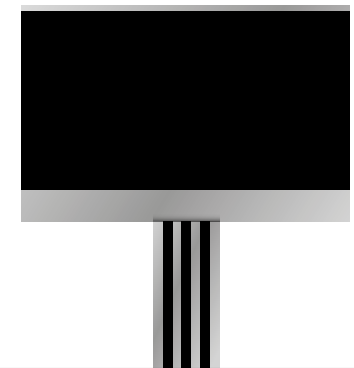


OPTION EXTENDED COLUMN

C SEED HLR 144



STANDARD



OPTION EXTENDED COLUMN

MARINE

C SEED SUPERMARINE THE FIRST REAL SUPERYACHT TV

C SEED SUPERMARINE 201/144

The single most spectacular engineering achievement of the C SEED Supermarine TV is its unique hydraulic drive system. A wildly sophisticated combination of vertical and horizontal drives retracts the whole screen into a shallow compartment of only 62 cm (24.4 inch) depth, saving valuable space on and below decks.

Still, the C SEED Supermarine TV takes only 30 seconds to rise to its impressive height of 3 m (9.8 ft) with effortless ease. Massive MicroLED panels unfold silently within the next 45 seconds, presenting a screen of overwhelming brilliance on top of an elegantly dominating, almost sculptural masterpiece of technology to bring giant entertainment to fascinated viewers.







C SEED N1 -
THE SUPERYACHT TV
THAT RESPECTS
THE VIEW



C SEED N1 165/137/110

Modern superyachts are drawn in glass and light. The N1 was created for exactly these spaces: a free-standing, transforming display that appears when you want cinema—and becomes a minimalist sculpture when you don't. With a single command, the N1 unfolds in a silent, choreographed motion, panels align with micron precision, and a large-format image comes to life. When stowed, the footprint is compact and elegant, preserving sightlines and keeping the salon visually calm.

Unlike wall-mounted TVs, the N1 thrives in bright, open rooms. Its next generation LED engine combines high brightness, deep contrast, and advanced anti-reflection to deliver a clear picture in daylight without heavy shades. Motion is servo-controlled and vibration-damped, engineered for smooth, repeatable operation at sea.

Integration is seamless. N1 pairs naturally with premium audio and leading yacht automation platforms (Crestron/Control4), supports refined calibration, and offers furniture-grade finishes that harmonize with high-end interiors. Every detail is considered

for life on board—from thermal management and service access to materials that stand up to marine use.

The result is not just a TV, but transforming smart furniture: cinema-level performance when you want it, pure horizon when you don't. With N1, C SEED gives back the one luxury no screen should take away—the view.

C SEED SUPERMARINE SPEAKERS





The most powerful sound experience

Hidden in underfloor storage casings, the C SEED Supermarine speakers await activation. At the push of a button on the C SEED Audio app they rise majestically to face the audience, and the stage is set for an unforgettable performance. Visually, they complement the C SEED Supermarine TV monolith style. Acoustically, they provide superior sound to round off perfect days, grace beautiful surroundings and entertain guests at superyacht parties.

Ultimate quality

One-piece metal casings, precision-machined out of massive blocks of aluminum, provide C SEED Supermarine speakers with superior resonating bodies for overwhelming sound quality. Stainless steel parts in critical spots guarantee reliable longevity.

Concert acoustic from any angle

The heart of the C SEED 125 was created by masters of outdoor speaker engineering: L-Acoustic's passive speaker technology reproduces the entire frequency range with amazing, powerful brilliance. Each speaker projects a 110 degree beam angle, enabling the system to cover even super large decks while providing a remarkably stable sound experience.

Select your size

C SEED Supermarine speaker system is available in two sizes: a standard version of 89 cm height and a smaller version of 48 cm height to accommodate to the available space for the necessary storage casing.



00:03 ⌚



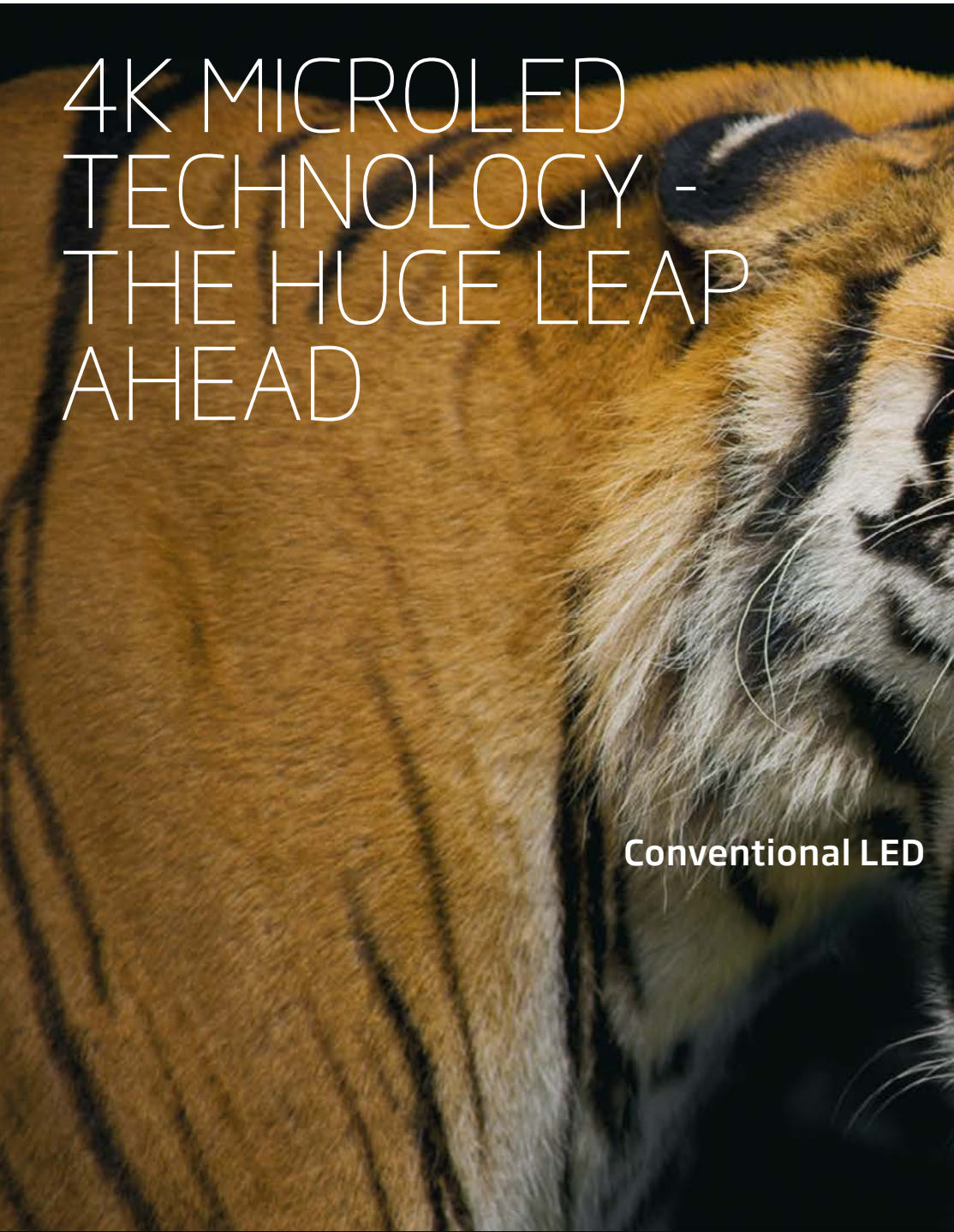
00:10 ⌚



00:20 ⌚

MICROLED

4K MICROLED TECHNOLOGY - THE HUGE LEAP AHEAD



Conventional LED

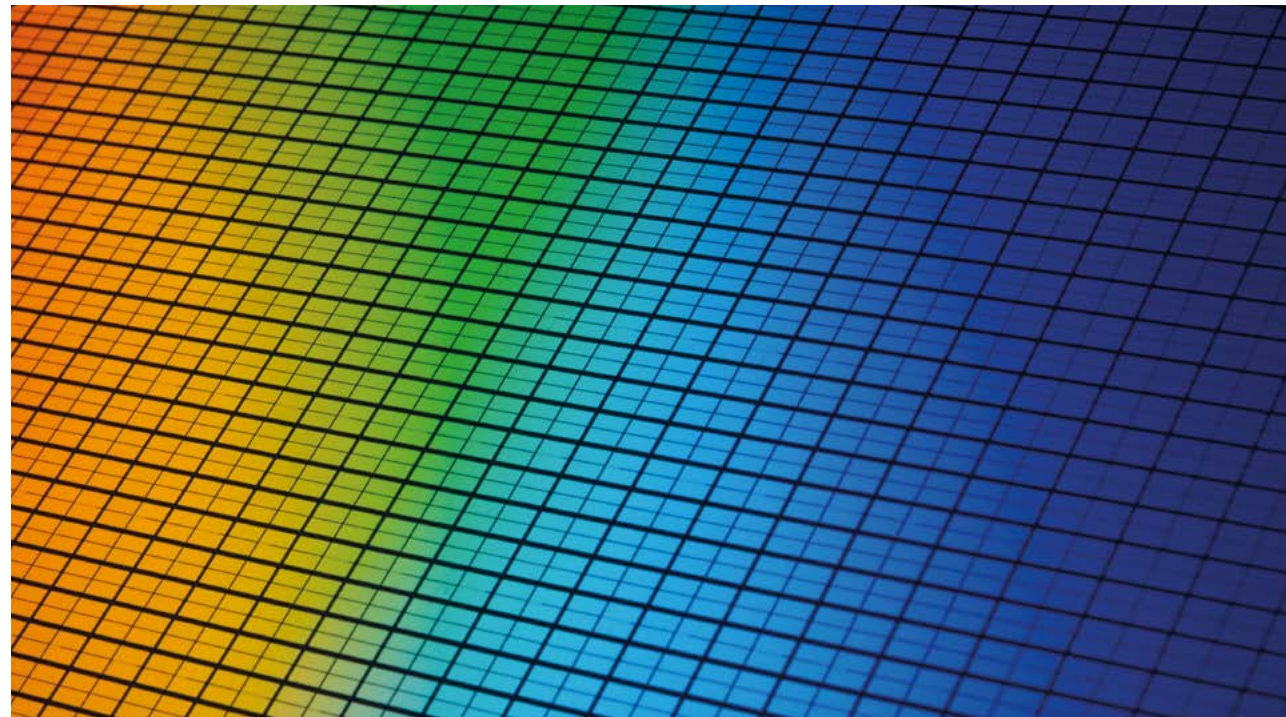


C SEED MicroLED Technology

TOTAL TV EXPERIENCE

Futuristic design meets futuristic TV engineering:

- C SEED MicroLED outpaces conventional TV displays. Micrometer-sized LED lights create stunning, lifelike colors and brightness on a self-illuminating 4K/8 million pixel display that accurately delivers the color gamut of high-end DSLR cameras. Not only today and tomorrow - forever: MicroLEDs are made of long-lasting materials, giving the C SEED screen a potential lifespan of up to 100,000 hours.
- DEEP BLACK
Black is the all-important touchstone of display technology. Total Black employs a special surface treatment to achieve stunning contrast and perfect detail, while preventing glare.
- PURE COLOR
True colors are the life of a display, and the C SEED MicroLED brings colors to life like never before with approximately twice the color purity of conventional LEDs.

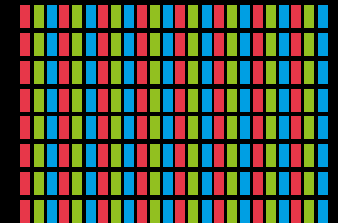


C SEED uses cutting-edge MicroLED technology to achieve superior contrast, brightness and an unparalleled color spectrum. C SEED video processing creates true-life images with a color processing depth of 16-bit per color and advanced HDR and HDR10+ processing for a superior viewing experience. MicroLED technology is a revolutionary leap ahead, providing twice the color purity and a far wider color gamut than conventional LED screens, creating fully natural colors, optimum peak brightness and most accurate grayscale images. For a TV experience like never before.

LED



MicroLED



SOUND



INTO THE GREAT
WIDE OPEN



C SEED HYDE 125

After a single touch on a smartphone or tablet, the C SEED Hyde 125 loudspeakers rise out of the ground, providing superior sound to round off perfect days, complement beautiful surroundings and entertain guests at garden parties.

The C SEED Hyde 125 loudspeakers are the last word in open-air sound brilliance - a system of passive speakers for configurations ranging from 2.0 stereo to 9.1 surround.

L-Acoustics passive speaker technology reproduces the entire frequency range with amazing and powerful brilliance. Each speaker projects a 110 degree beam angle, enabling the system to cover even large scale terraces while providing a thoroughly solid, stable sound experience.



00:03 ☹

00:10 ☹

00:20 ☹



Vienna State Opera - powered by L-Acoustics

THE ART OF SOUND

Projecting sound is an art in itself - and quality sound in open air environments takes an extra amount of genius. The heart of the C SEED Hyde 125 was created by masters of outdoor engineering: L-Acoustics was the obvious technology partner of choice when C SEED set out to create the world's best sounding retractable open

air speaker system. L-Acoustics earned their global fame by bringing superior sound to fabulous festivals, opera arenas, Broadway productions and memorable mega-events like Olympic Games opening ceremonies or Super Bowl shows.

L-ACOUSTICS TECHNOLOGIES

In its over thirty years of research and development, L-Acoustics engineers have developed a number of major technologies in Acoustics, Mechanical Engineering, Amplification and Control. These innovations contribute to better, more predictable performance, increased flexibility in sound design and faster setup.



COAXIAL

COAXIAL TECHNOLOGY

L-Acoustics introduced the first coaxial loudspeaker enclosure for professional sound reinforcement, bringing studio quality to near-field applications for the first time. Since then, coaxial technology has been implemented in all L-Acoustics point sources and constitutes the heart of the X Series.



L-VENTS

LAMINAR VENTING

All current L-Acoustics loudspeaker enclosures with low-range capacities feature laminar vents which provide high SPL while eliminating turbulence noise.



POINT SOURCE

POINT SOURCE

The point source's wide, conical directivity pattern imparts excellent spatialization and no minimum listening distance, assuring a flawless listening experience when monitoring sound.

UNIQUE SOUND INNOVATION

The name C SEED Hyde 125 refers to the peak speaker power, expressed in "decibel sound pressure", the professional audio industry's internationally accepted measure of sonic performance.

Does this sound a bit abstract? Well, 125 decibels translate, for all practical purposes, into "loud enough for anything one will ever want to hear": As a matter of fact, this is the sound pressure experienced by the audience of an opera house concert.

It is therefore a safe assumption that the C SEED Hyde 125 has sufficient power reserves to entertain even seriously partying capacity crowds by the poolside. On the other hand, it is worth noting that even at very

conservative volumes, the system is capable of unparalleled sound projection at angles wide enough to cover large terraces and gardens.

These are genuine high-end speakers, built to faithfully reproduce every last nuance of a beautiful violin solo or the rich texture of a great movie soundtrack, even on windy days. For massive performance they are built into one-piece metal casings, precision-machined out of massive blocks of aluminum. This provides the ultimate resonating body which makes the most of every single note, from delicate piano passages to screaming guitar riffs.

ALL THE MAGIC AT YOUR FINGERTIPS' COMMAND

The C SEED Audio app gives you full control over your outdoor music experience.

Download it free of charge from the App Store to control kinematic functions,

music choice, volume, loudness, balance, treble and bass. Or take the shortcut to perfection, selecting the app's presets for dozens of genres and moods, fine-tuned for your pleasure by the world's leading sound engineers.



PRODUCTION



SUPREME ENGINEERING FOR
INDIVIDUAL LUXURY



Bespoke engineering

Meeting challenges, unafraid of change, always pushing the boundaries of what's possible, beating the highest expectations, delivering breathtaking innovation without ever compromising the quality of the product or the customer experience - this is the driving ambition of C SEED.

If luxury is our benchmark, our engineering is what leads us there. We are proud to have our own team of mechanical and electronics specialists to take up new, exciting technological challenges in the A/V industry. Our in-house development and engineering team takes pride in creating individually customized solutions for residential, commercial and marine sector projects.

We proudly strive to surpass even our customers' highest expectations. We use latest CAD engineering tools to bring the ideas for our R&D team to perfection. All our products undergo state-of-the-art FEM, FMEA and CFD analysis before they are cleared for production.

Austrian quality and certification

Perfection is essential. We are building our brand's reputation on top-notch Austrian engineering and production quality meeting the most exacting standards. Our quality laboratory performs visual, mechanical and functional tests to ensure compliance. Inspections are performed with traceable equipment according to ISO 9001 standards, UL and TÜV safety.

We aim at impeccable craftsmanship down to the last, tiniest individual part and detail, from raw materials to surface finishes. Our standards require the use of highest quality components and materials like aerospace aluminum 7075 and stainless steel 316 grades for the extra strength and longevity that make a product live up to the C SEED brand.

Installation and after-sales service

C SEED has given proof of daringly innovative concepts with successful installations in some of the world's most spectacular natural and architectural environments. Our installation team works around the world and around the clock to ensure professional workmanship and quality service in reliable, total discretion.

No genuine premium product is complete without genuine premium after-sales service. Our customers expect us to respond immediately whenever technical issues arise, and we live up to their expectations: The C SEED after-sales team is globally available on a 24/7 basis. Under the name "AIP" we tailor support and maintenance programs to individual customer requirements - for total satisfaction with your C SEED products.

TECHNICAL DATA

FEATURES

INDOOR N1 MICROLED TV

165/137/110 INCH

PHYSICAL DIMENSIONS TV		165	137	110
LED TV size (diagonal)	inch/mm	165 / 4196	137 / 3497	110 / 2794
LED TV size (width)	inch/mm	144 / 3657	120 / 3048	96 / 2438
LED TV size (height)	inch/mm	81 / 2057.4	67.5 / 1714.5	54 / 1372
Standard LED screen (depth)	inch/mm	3.9 / 99	3.5 / 89	3 / 75
LED TV area	sq ft/m ²	81 / 7.53	56.19 / 5.22	36 / 3.34
LED TV system weight	kg	900	680	480

TV SYSTEM

Resolution		4K (UHD)		
Brightness	nits	1000		
Pixel pitch	mm	0.9	0.7	0.6
Processing depth	bit	16 per color		
Color spectrum	colors	64 billion		
Refresh rate	Hz	3,840		
Lifespan LED	h	100,000		
Contrast ratio		30,000:1		
Color temperature adjustable	k	3,000 - 10,000		
Viewing angle - horizontal vertical	degrees	170 170		
Operating temperature range		°C: 0 to + 40 °F: +32 to +104		
Broadband speaker peak out	W	8 x 12	6 x 12	4 x 12
Broadband speaker frequency range		200 - 20 kHz		
Subwoofer peak out	W	1 x 200		
Subwoofer frequency range		60 - 400Hz		

INPUT / OUTPUT

Video input		3x HDMI 2.0/HDCP 2.2 support (TV tuner is not included)		
Serial in/output		2 x USB		
Audio output		pre-amp. 9.2, independent sub		
Network connection		1 x RJ45		

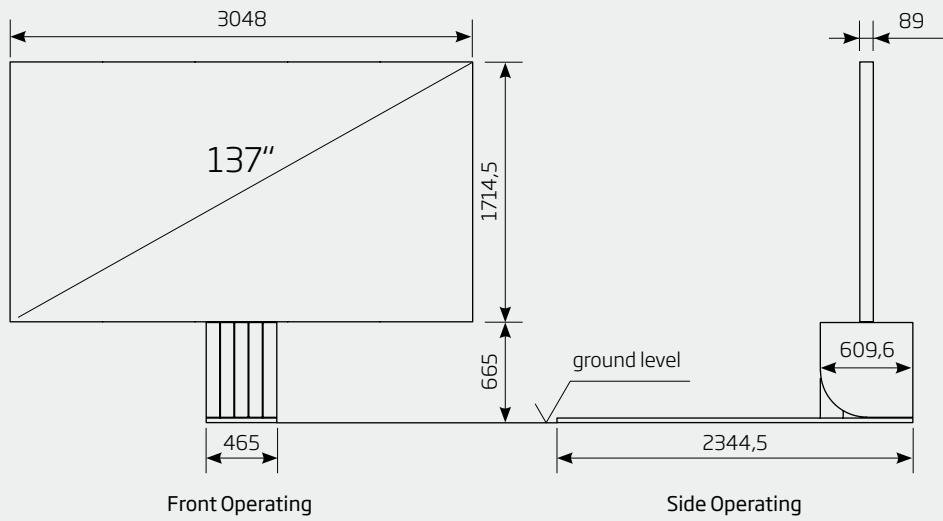
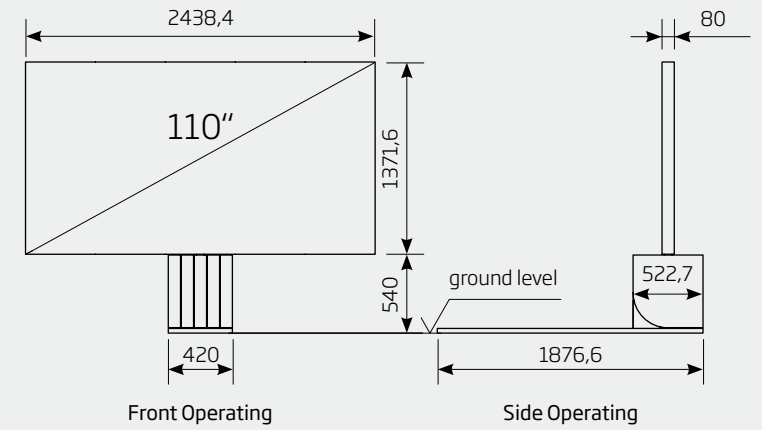
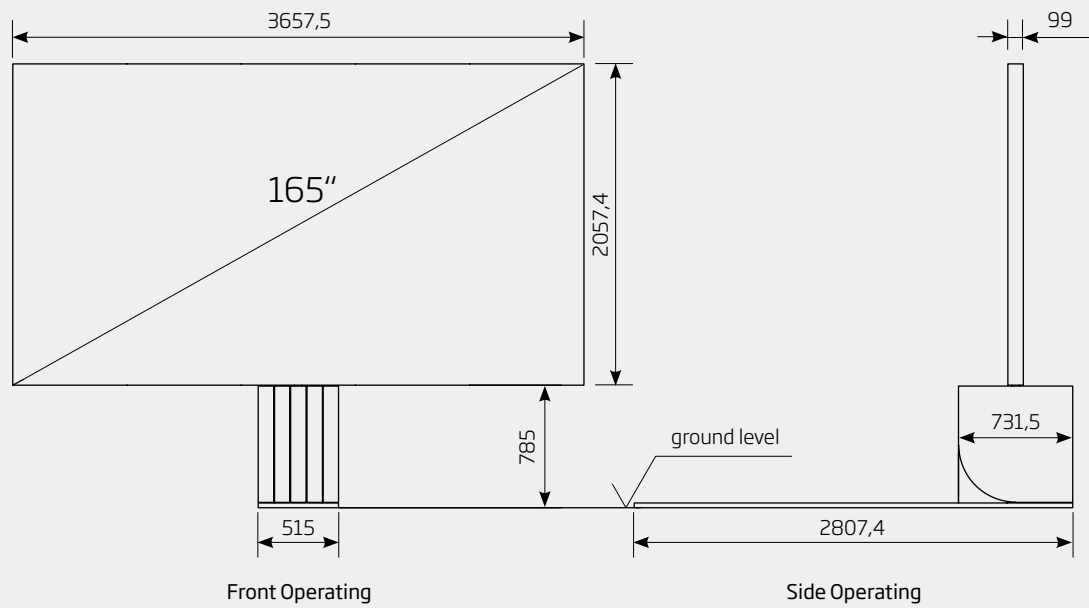
OPERATION

Power supply LED screen	Standard	1 x 240V+N+PE/32A/50-60Hz		
	High-Leg-Delta	3 x 240V+PE/30A/50-60Hz		
	Single-Phase / Split-Phase	240V/120V+PE/60A/50-60Hz		
	Three-Phase (optional)	3 x 400V+N+PE/16A/50-60Hz		
Input power max typical	W/m ²	500 160		
Power consumption max typical	kW	3.8 1.2	2.6 0.9	1.7 0.55

SPECIFIC FEATURES

Adaptive Gap Calibration (AGC)	Remote Control
9.2 AV-Receiver	4K LED HDR10+ Controller
TV rotation: 180° left and right or 90° left and right	

The information and specifications contained in this brochure are for information purposes only and are subject to change without prior notice.



FEATURES

INDOOR M1 MICROLED TV

165/137/110 INCH

PHYSICAL DIMENSIONS TV		165	137	110
LED TV size (diagonal)	inch/mm	165 / 4196	137 / 3497	110 / 2797
LED TV size (width)	inch/mm	144 / 3657	120 / 3048	96 / 2438
LED TV size (height)	inch/mm	81 / 2057.4	67.5 / 1714.5	54 / 1372
Standard LED screen (depth)	inch/mm	3.9 / 99	3.5 / 99	3 / 75
LED TV area	sq ft/m ²	81 / 7.53	56.19 / 5.22	36 / 3.34
LED TV system weight	kg	1,100	790	590

TV SYSTEM

Resolution		4K (UHD)		
Brightness	nits	1000		
Pixel pitch	mm	0.9	0.7	0.6
Processing depth	bit	16 per color		
Color spectrum	colors	64 billion		
Refresh rate	Hz	3,840		
Lifespan LED	h	100,000		
Contrast ratio		30,000:1		
Color temperature adjustable	k	3,000 - 10,000		
Viewing angle - horizontal vertical	degrees	170 170		
Operating temperature range		°C: 0 to +40 °F: +32 to +104		
Broadband speaker peak out	W	8 x 12	6 x 12	4 x 12
Broadband speaker frequency range		200 - 20 kHz		
Subwoofer peak out	W	1 x 200		
Subwoofer frequency range		60 - 400Hz		

INPUT / OUTPUT

Video input	5 x HDMI, 1 x HDCP 2.2 support (TV tuner is not included)			
Serial in/output	2 x USB			
Audio output	pre-amp. 9.2, independent sub			
Network connection	1 x RJ45			

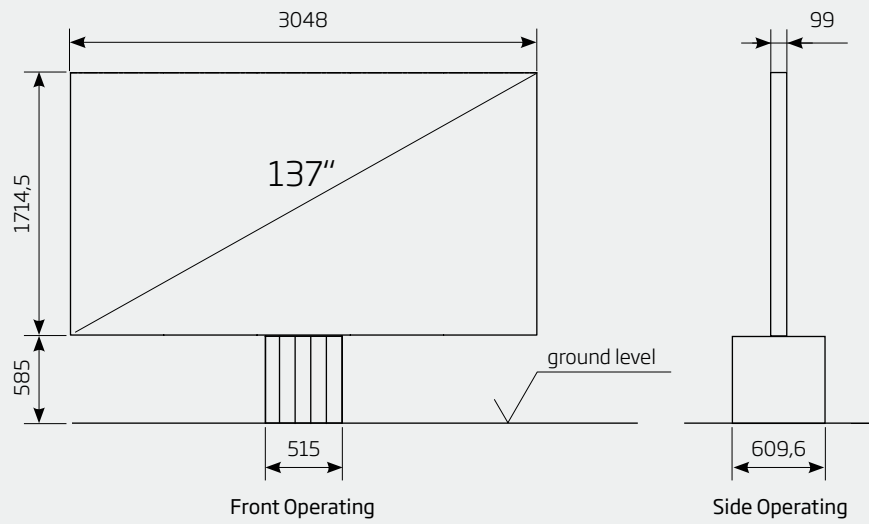
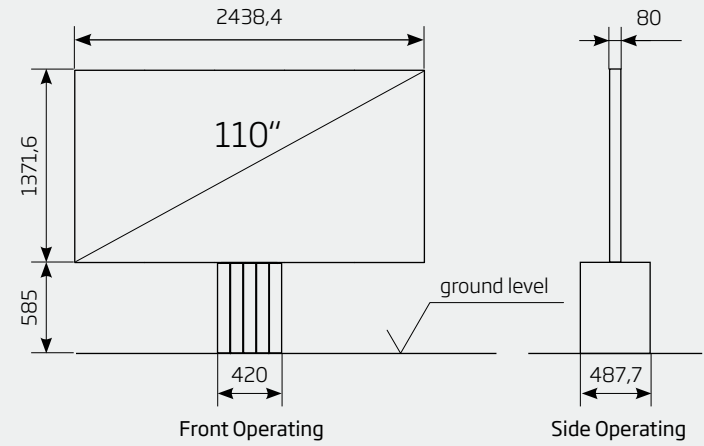
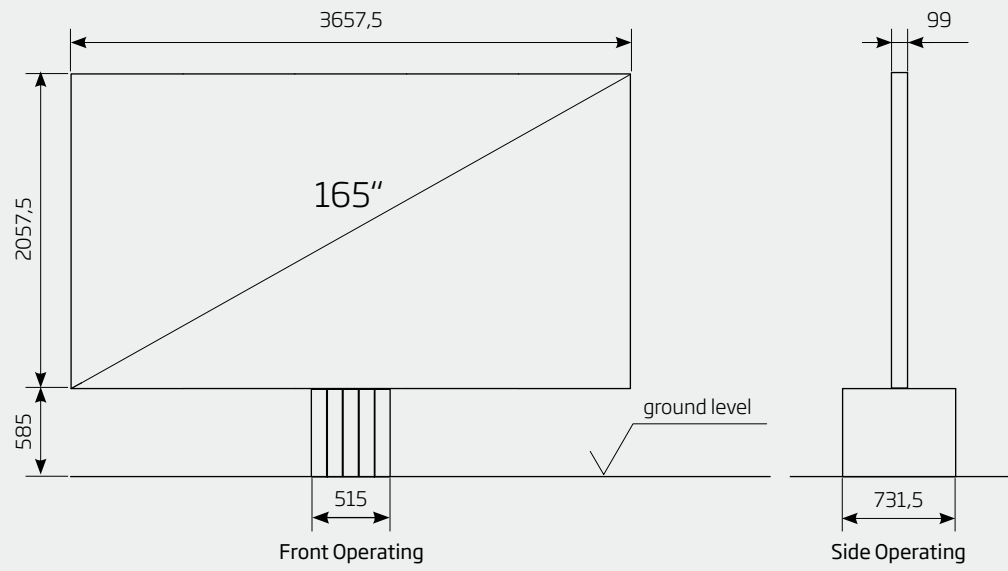
OPERATION

Power supply LED screen	Standard	1 x 240V+N+PE/32A/50-60Hz		
	High-Leg-Delta	3 x 240V+PE/30A/50-60Hz		
	Single-Phase / Split-Phase	240V/120V+PE/60A/50-60Hz		
	Three-Phase (optional)	3 x 400V+N+PE/16A/50-60Hz		
Input power max typical	W/m ²	500 160		
Power consumption max typical	kW	3.8 1.2	2.6 0.9	1.5 0.5

SPECIFIC FEATURES

Adaptive Gap Calibration (AGC)	Remote Control
Automatic TV Cover with Flush Mount Floor Option	9.2 AV-Receiver
4K LED HDR10+ Controller	2.1 Sound System
TV rotation: 180° left and right	

The information and specifications contained in this brochure are for information purposes only and are subject to change without prior notice.



FEATURES

INDOOR BLADE MICROLED TV

221/165/137 INCH

PHYSICAL DIMENSIONS TV		221	165	137
LED TV size (diagonal)	inch/mm	221 / 5595	165 / 4196	137 / 3497
LED TV size (width)	inch/mm	192 / 4877	144 / 3657	120 / 3048
LED TV size (height)	inch/mm	108 / 2743	91 / 2057	67.5 / 1714.5
Standard LED screen (depth)	inch/mm	3.23 / 82 (without wall mount structure)		
LED TV area	sq ft/m ²	108 / 10.04	81 / 7.52	56.19 / 5.22
LED TV weight	kg	500	375	280

TV SYSTEM

Resolution		4K (UHD)		
Brightness	nits	1,000		
Pixel pitch	mm	0.9		0.7
Processing depth	bit	16 per color		
Color spectrum	colors	64 billion		
Refresh rate	Hz	3,840		
Lifespan LED	h	100,000		
Contrast ratio		30,000:1		
Color temperature adjustable	K	3,000 - 10,000		
Viewing angle- horizontal vertical	degrees	170 170		
Operating temperature range		°C 0 to + 40 °F +32 to +104		
Broadband speaker peak out	W	4 x 180 & 2 x 90		
Broadband speaker frequency range		40 Hz - 22 kHz		

INPUT / OUTPUT

Video input		5 x HDMI, 1 x HDCP 2.2 support (TV tuner is not included)		
Serial in/output		2 x USB		
Audio output		pre-amp. 9.2, independent sub		
Network connection		1 x RJ45		

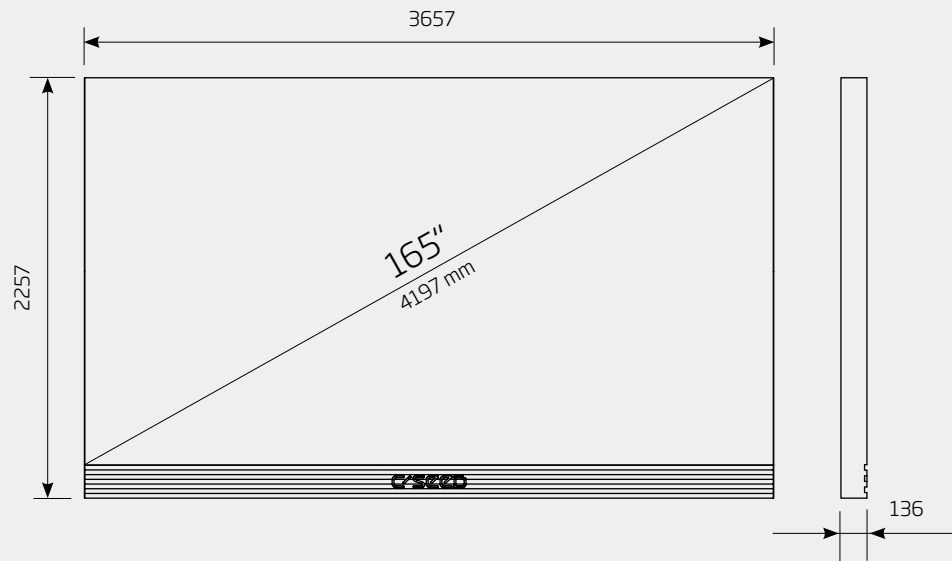
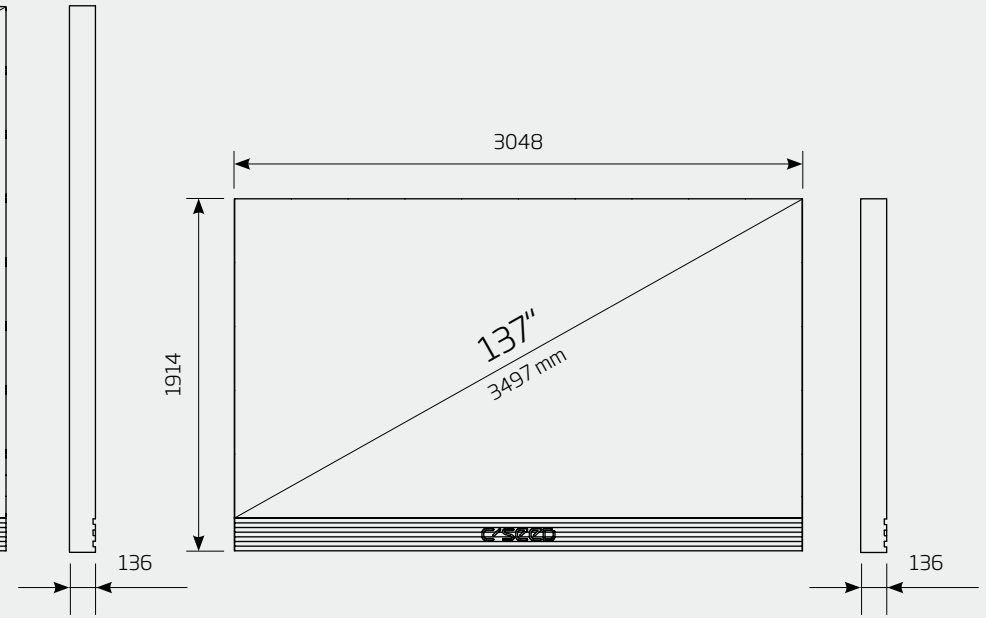
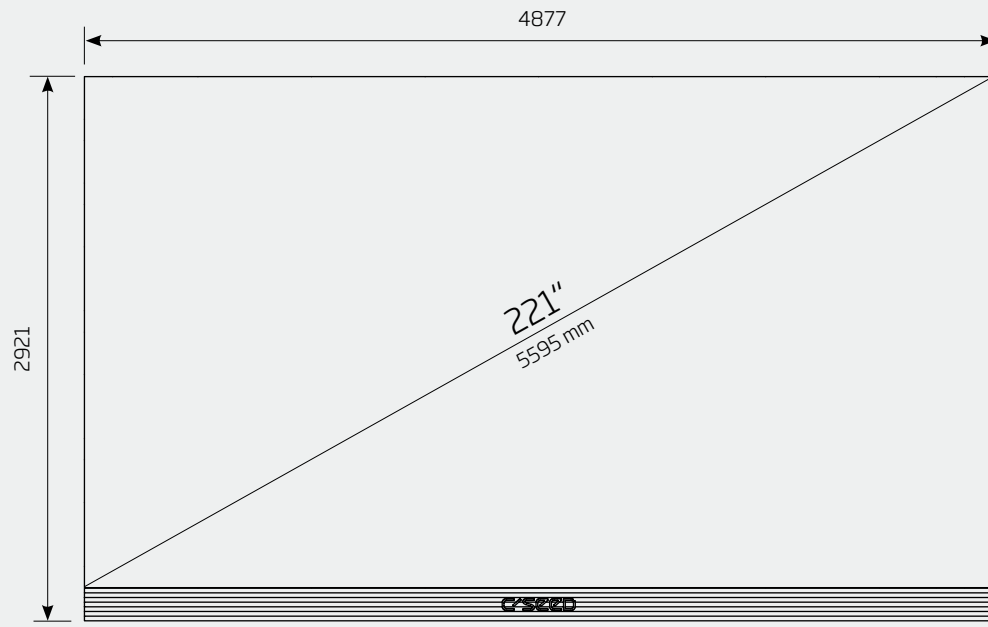
OPERATION

Power supply LED screen		8 x 110 - 240V/50-60 Hz	6 x 110 - 240V/50-60 Hz	6 x 110-240V/50-60 Hz
Input power max typical	W/m ²	480 160	480 160	480 160
Power consumption max typical	kW	4.9 1.7	3.6 1.2	2.5 0.8

SPECIFIC FEATURES

Remote Control		9.2 AV-Receiver		
4K LED HDR10+ Controller				

The information and specifications contained in this brochure are for information purposes only and are subject to change without prior notice.



FEATURES

OUTDOOR N1 MICROLED TV

165/137 INCH

PHYSICAL DIMENSIONS TV		165	137
LED TV size (diagonal)	inch/mm	165 / 4196	137 / 3497
LED TV size (width)	inch/mm	144 / 3657	120 / 3048
LED TV size (height)	inch/mm	81 / 2057.4	67.5 / 1714.5
Standard LED screen (depth)	inch/mm	3.9 / 99	3.5 / 89
LED TV area	sq ft/m ²	81 / 7.53	56.19 / 5.22
LED TV system weight	kg	900	705

TV SYSTEM

Brightness	nits	4,000	
Pixel pitch	mm	1.9	1.6
Processing depth	bit	16 per color	
Color spectrum	colors	64 billion	
Refresh rate	Hz	3,840	
Lifespan LED	h	100,000	
Contrast ratio		7,000:1	
Color temperature adjustable	k	6,500 - 10,000	
Viewing angle - horizontal vertical	degrees	160 160	
Operating temperature range		°C: -20 to + 45 °F: -4 to +113	
Broadband speaker peak out	W	8 x 24	
Broadband speaker frequency range		200 - 20 kHz	
Subwoofer peak out	W	1 x 200	
Subwoofer frequency range		60 - 400Hz	

INPUT / OUTPUT

Video input	5 x HDMI, 1 x HDCP 2.2 support (TV tuner is not included)		
Serial in/output	2 x USB		
Audio output	pre-amp. 9.2, independent sub		
Network connection	1 x RJ45		

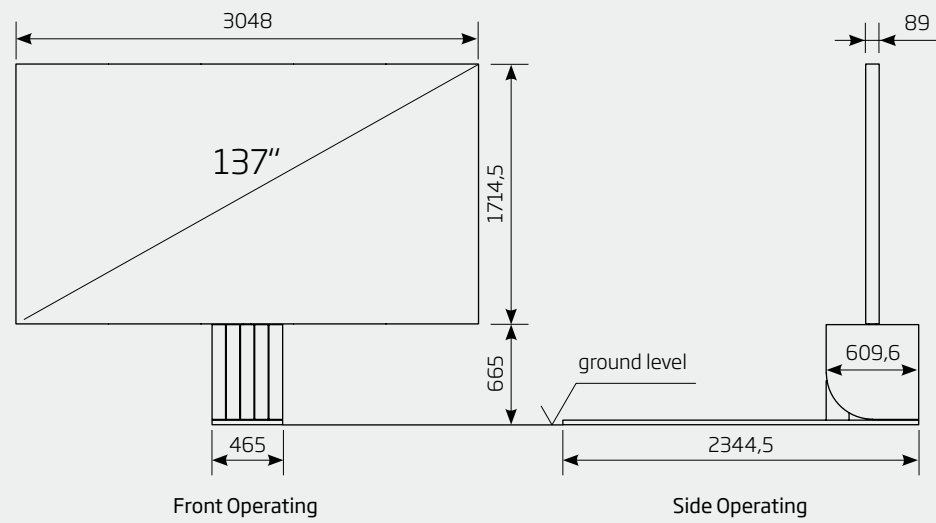
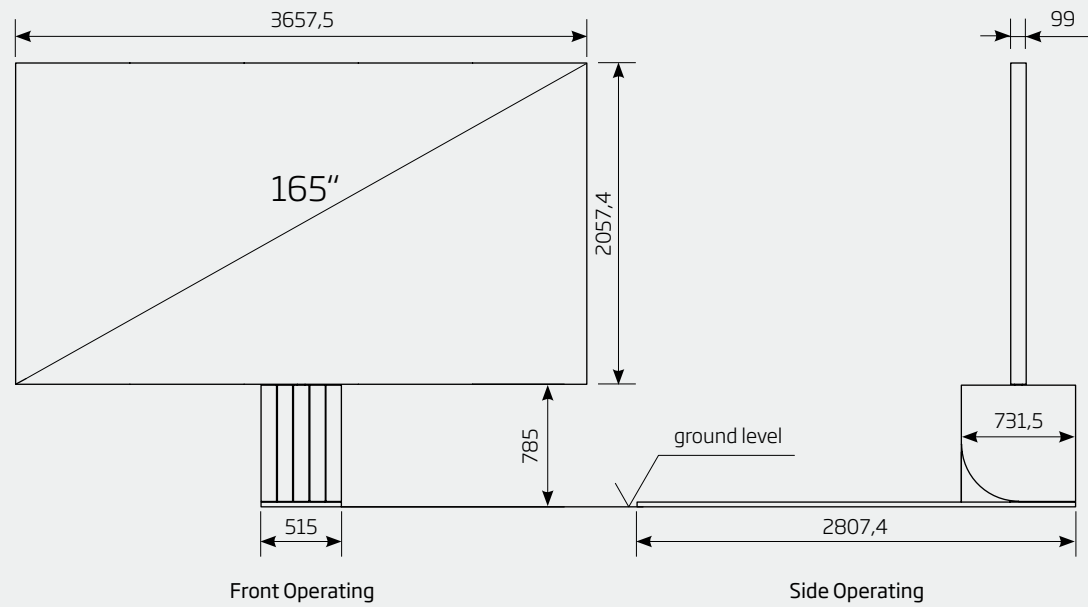
OPERATION

Power supply LED screen	Standard	1 x 240V+N+PE/32A/50-60Hz	
	High-Leg-Delta	3 x 240V+PE/30A/50-60Hz	
	Single-Phase / Split-Phase	240V/120V+PE/60A/50-60Hz	
	Three-Phase (optional)	3 x 400V+N+PE/16A/50-60Hz	
Input power max typical	W/m ²	500 160	
Power consumption max typical	kW	3.8 1.2	2.6 0.9

SPECIFIC FEATURES

2.1 Sound System	Remote Control
9.2 AV-Receiver	HD Video-Controller
TV rotation: 180° left and right or 90° left and right	

The information and specifications contained in this brochure are for information purposes only and are subject to change without prior notice.



FEATURES OUTDOOR VERTICAL MICROLED TV 201/144 INCH

PHYSICAL DIMENSIONS TV		201	144
LED TV size (diagonal)	inch/mm	201 / 5105	144 / 3658
LED TV size (width)	inch/mm	176.4 / 4480	126 / 3200
LED TV size (height)	inch/mm	94.5 / 2400	69 / 1760
Standard LED screen (depth)	inch/mm	3.9 / 9.9	
LED TV area	sq ft/m ²	116.3 / 10.8	60.3 / 5.6
LED TV weight	kg	1,350	600

TV SYSTEM

Brightness	nits	4,000	
Brightness control		Manual	
Number of MicroLEDs		2,963,520	2,200,000
Pixel pitch	mm	1.90	1.60
Processing depth	bit	16 per color	
Color spectrum	colors	64 billion	
Refresh rate	Hz	3,840	
Lifespan	h	100,000	
Contrast ratio		7,000:1	
Color temperature	k	6,500 - 10,000	
Viewing angle - horizontal	degrees	160	
Viewing angle - vertical	degrees	160	
LED fixings		back - service	
Operating temperature range		°C -20 to +45 °F -4 to +113	
Broadband speaker peak out	W	6 x 250	2 x 250
Broadband speaker frequency range		60 Hz - 22 kHz	
Subwoofer peak out	W	1 x 500	
Subwoofer frequency range		40 Hz - 200 Hz	

INPUT / OUTPUT

Video input	5 x HDMI, 1x HDCP 2.2 support (TV tuner is not included)		
Serial in/output	2 x USB		
Audio output	pre-amp, 9.2, independent sub		
Network connection	1 x RJ45		

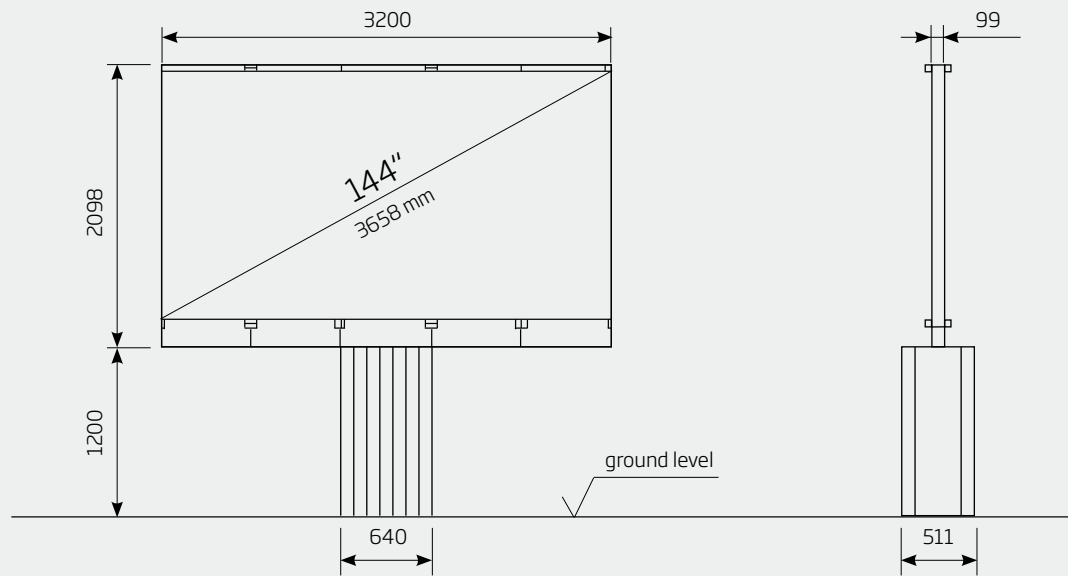
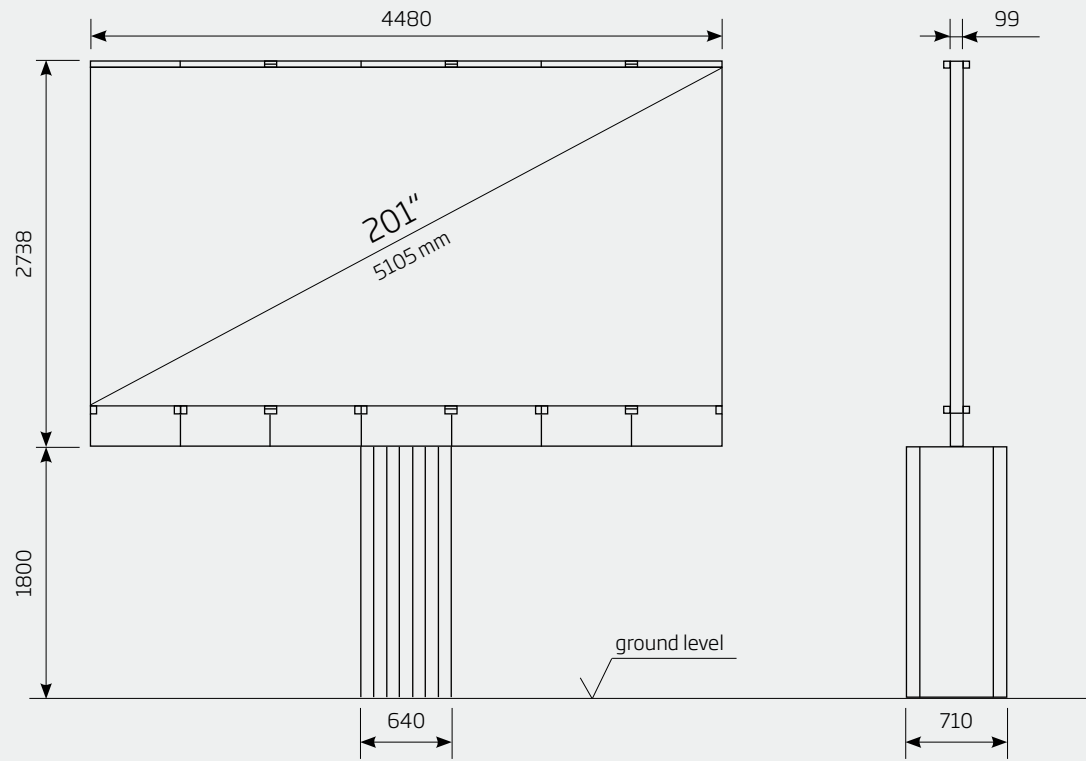
OPERATION

Power supply LED screen	Standard	3 x 400V+N+PE/32A/50-60Hz	
	High-Leg-Delta	3 x 240V+PE/60A/50-60Hz	
	Single-Phase / Split-Phase	240V/120V+PE/110A/50-60Hz	
Input power max typical	W/m ²	650 190	650 191
Power consumption max typical	kW	11,6 19	8,2 14

SPECIFIC FEATURES

Remote Control	Automatic TV Cover
9.2 AV-Receiver	Elevating Lift
HD Video-Controller	TV rotation: 135° left and right
201: TV System height adjustable within 1250mm	
144: TV System height adjustable within 650mm	

The information and specifications contained in this brochure are for information purposes only and are subject to change without prior notice.



FEATURES

OUTDOOR HLR MICROLED TV

201/144 INCH

PHYSICAL DIMENSIONS TV		201	144
LED TV size (diagonal)	inch/mm	201 / 5105	144 / 3658
LED TV size (width)	inch/mm	176.4 / 4480	126 / 3200
LED TV size (height)	inch/mm	94.5 / 2400	69 / 1760
Standard LED screen (depth)	inch/mm	3.9 / 99	
LED TV area	sq ft/m ²	116.3 / 10.8	60.3 / 5.6
LED TV weight	kg	2,800	1,700

TV SYSTEM

Brightness	nits	4,000	
Brightness control		Manual	
Number of MicroLEDs		2,963,520	2,200,000
Pixel pitch	mm	1.90	1.60
Processing depth	bit	16 per color	
Color spectrum	colors	64 billion	
Refresh rate	Hz	3,840	
Lifespan	h	100,000	
Contrast ratio		7,000:1	
Color temperature	k	6,500 - 10,000	
Viewing angle - horizontal vertical	degrees	160 160	
LED fixings		back - service	
Operating temperature range		°C -20 to +45 °F -4 to +113	
Broadband speaker peak out	watt	4 x 250	2 x 250
Broadband speaker frequency range		60 Hz - 22 kHz	

INPUT / OUTPUT

Video input	5 x HDMI, 1 x HDCP 2.2 support (TV tuner is not included)		
Serial in/output	2 x USB		
Audio output	pre-amp, 9.2, independent sub		
Network connection	1 x RJ45		

PHYSICAL DIMENSIONS STOWED POSITION

Concrete basin size (length)	inch/mm	185 / 4695	161 / 4085
Concrete basin size (width)	inch/mm	41.5 / 1050	35.5 / 900
Concrete basin size (height)	inch/mm	33.5 / 850	33.5 / 850

OPERATION

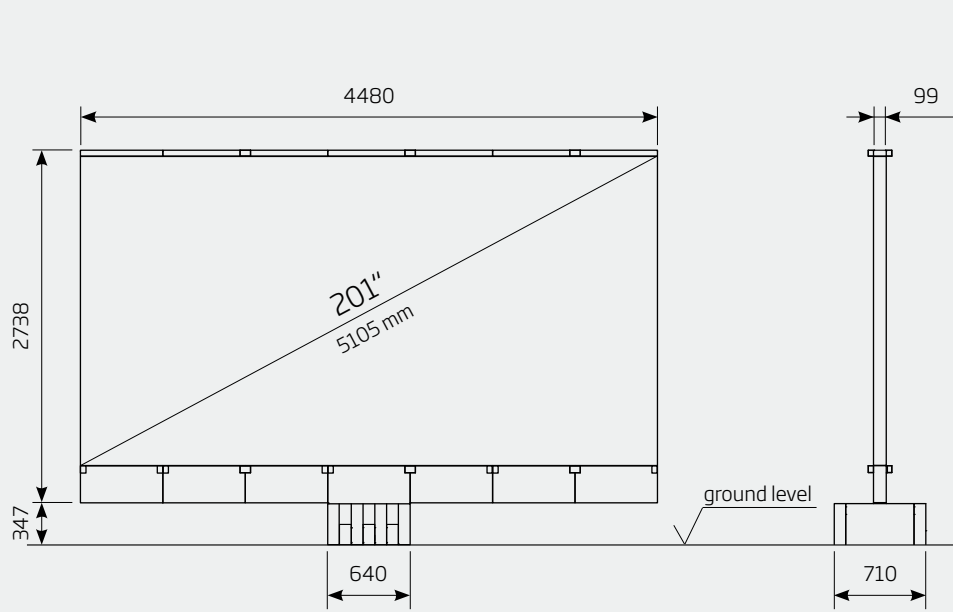
144 Power supply LED screen	Standard	3 x 400V+N+PE/16A/50-60Hz
	Single-Phase (optional)	1 x 240V+N+PE/32A/50-60Hz
	High-Leg-Delta	3 x 240V+PE/30A/50-60Hz
	Single-Phase / Split-Phase	240V/120V PE/60A/50-60Hz
Input power max typical	W/m ²	650 191
Power consumption max typical	kW	14 7.2

201 Power supply LED screen	Standard	3 x 400V+N+PE/32A/50-60Hz
	High-Leg-Delta	3 x 240V+PE/60A/50-60Hz
	Single-Phase / Split-Phase	240V/120V+PE/110A/50-60Hz
Input power max typical	W/m ²	650 190
Power consumption max typical	kW	19 10.6

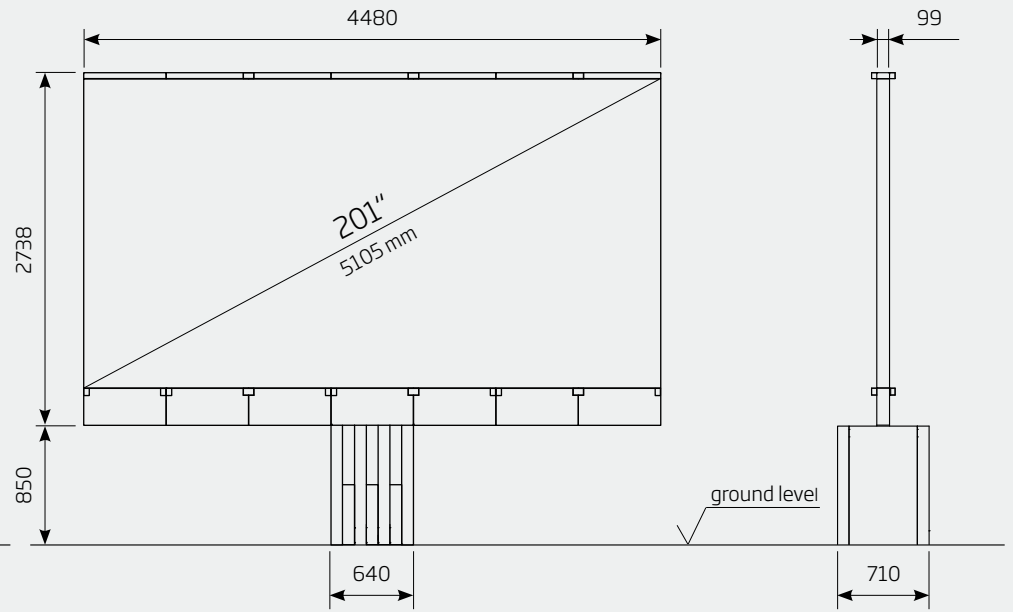
SPECIFIC FEATURES

Remote Control	Automatic TV Cover	9.2 AV-Receiver	HD Video-Controller
TV rotation: 90° left & 180° right or 180° left and 90° right			

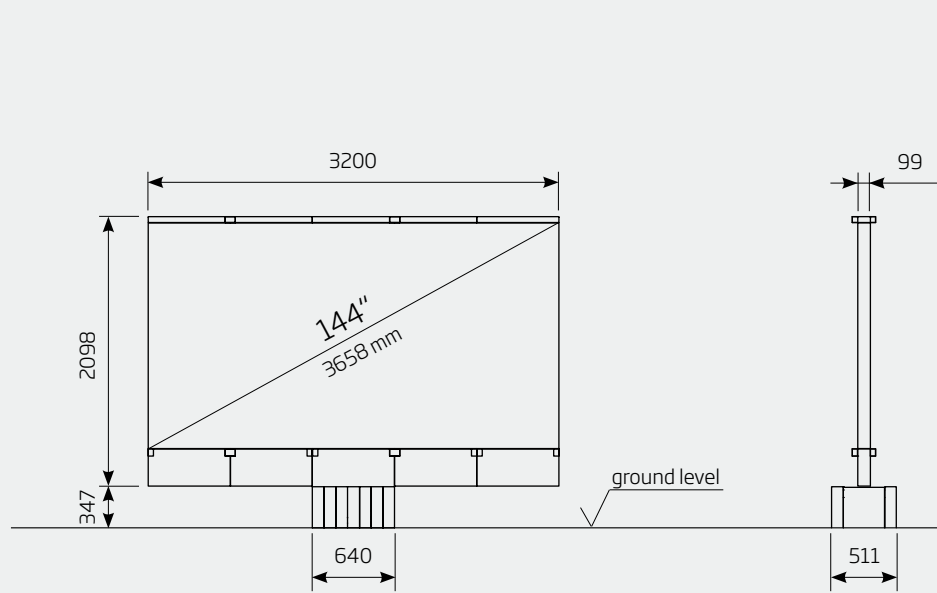
The information and specifications contained in this brochure are for information purposes only and are subject to change without prior notice.



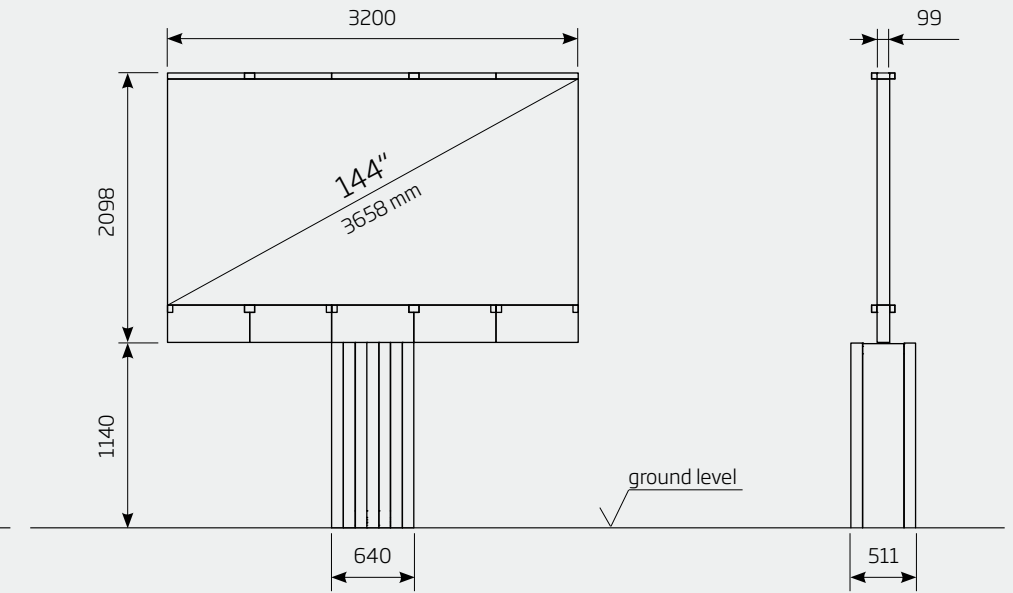
STANDARD



OPTION EXTENDED COLUMN



STANDARD



OPTION EXTENDED COLUMN

FEATURES SUPERMARINE MICROLED TV 201/144 INCH

TV SYSTEM		201 CSL/NCS	144 CSL/NCS	144 ULC
Brightness	nits	4,000		
Brightness control		Manual		
Number of MicroLEDs		2,963,520	2,200,000	
Pixel pitch	mm	1.90	1.60	
Processing depth	bit	16 per color		
Color spectrum	colors	64 billion		
Refresh rate	Hz	3,840		
Lifespan	h	100,000		
Contrast ratio		7,000:1		
Color temperature	k	10,000		
Viewing angle - horizontal	degrees	160		
Viewing angle - vertical	degrees	160		
LED fixings		back - service		
Operating temperature range		°C -20 to + 45 /°F -4 to +113		

OPTIONAL

Broadband speaker peak out	watt	6 x 250	2 x 250	
Broadband speaker frequency range		60 Hz - 22 kHz		

INPUT / OUTPUT

Video input		5 x HDMI, 1 x HDCP 2.2 support (TV tuner is not included)	5 x HDMI, 1 x HDCP 2.2 support (TV tuner is not included)	2 x HDMI, 1 x HDCP 2.2 support (TV tuner is not included)
Serial in/output		2 x USB	2 x USB	1 x USB
Audio output		pre-amp, 9.2, independent sub	pre-amp, 9.2, independent sub	
Network connection		1 x RJ45	1 x RJ45	1 x RJ45

PHYSICAL DIMENSIONS TV

LED TV size (diagonal)	inch/mm	201 / 5105	144 / 3658	
LED TV size (width)	inch/mm	176.4 / 4480	126 / 3200	
LED TV size (height)	inch/mm	94.5 / 2400	69 / 1760	
Standard LED screen (depth)	inch/mm	3.9 / 99	3.9 / 99	
LED TV area	sq ft/m ²	116.3 / 10.8	60.3 / 5.6	
LED TV system weight	kg	2,800	1,800	1,600

PHYSICAL DIMENSIONS STOWED POSITION

Basin size (length)	inch/mm	182.3 / 4630	153 / 3876	121.5 / 3084
Basin size (width)	inch/mm	50 / 1270	48.3 / 1226	38.8 / 985
Basin size (height)	inch/mm	32.8 / 834	30 / 764	24.4 / 620

OPERATION

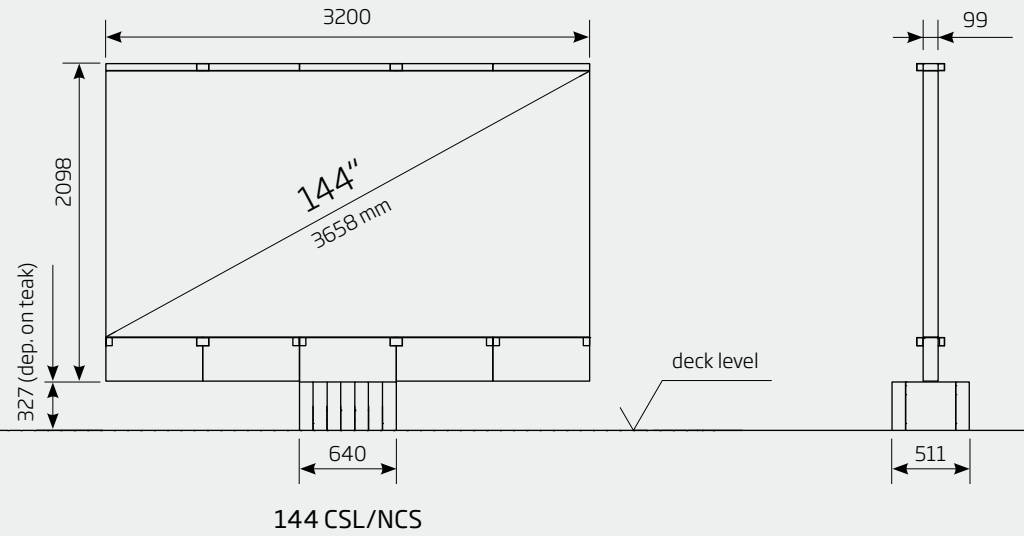
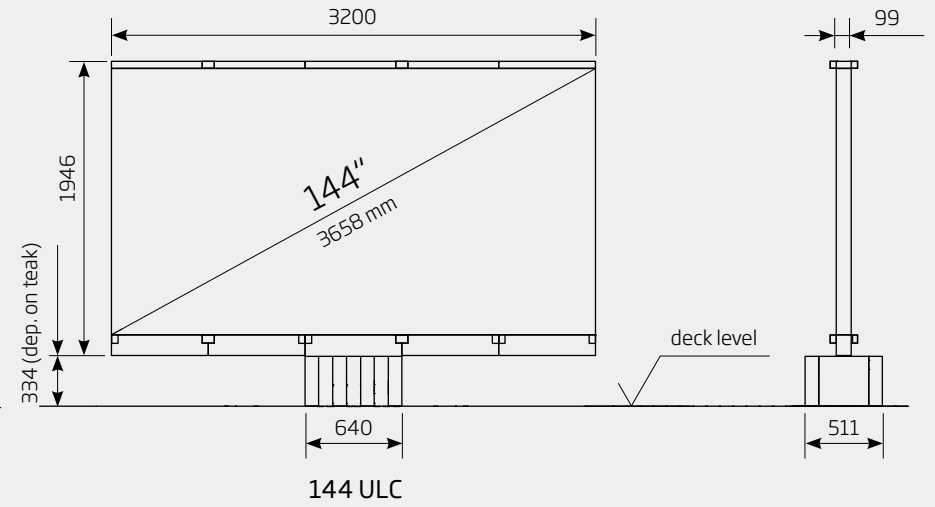
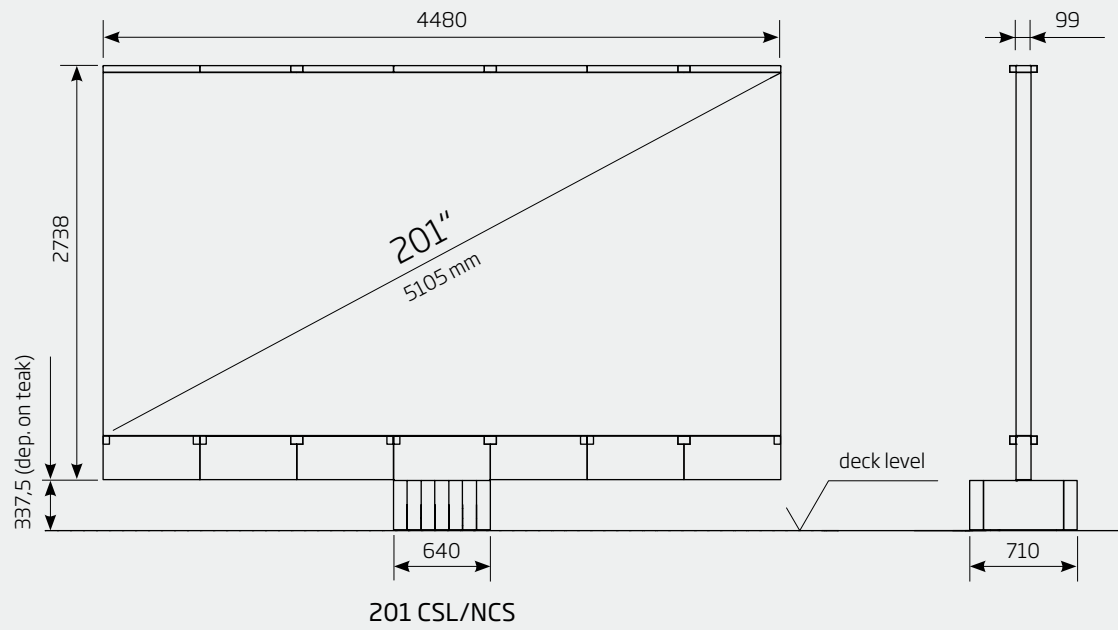
Power supply LED screen		3 x 400V+N+PE/32A/50-60Hz AC (3~)		
Input power max typical	W/m ²	880 230		
Power consumption max typical	kW	5.7 19	3.8 14	

SPECIFIC FEATURES

Electric slide mechanism for center positioning of the TV System (not for ULC + NCS)	Remote Control
9.2 AV-Receiver (not for ULC)	Automatic TV Cover
TV Rotation Angle: 90° left and 90° right	HD Video-Controller
Electric elevating lift	Marine grade materials

The information and specifications contained in this brochure are for information purposes only and are subject to change without prior notice.

CSL - center sliding of TV NCS - no center sliding of TV ULC - ultra compact



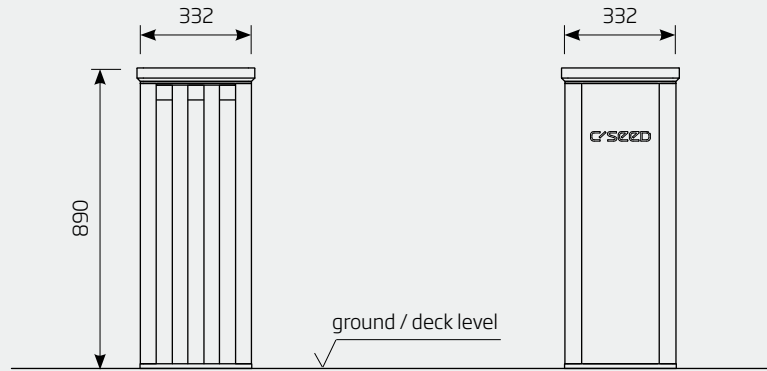
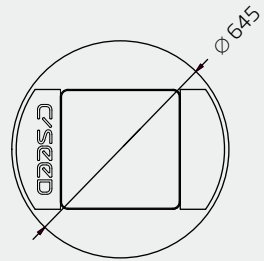
FEATURES SPEAKERS HYDE 125 SUPERMARINE 89/48

SPEAKER SYSTEM	C SEED HYDE 125
Type:	Retractable passive 2-way coaxial outdoor speaker system
Configuration:	Full range from 2.0 stereo to 9.2 surround sound
Speaker type:	L-Acoustics coaxial
Axisymmetric maximum:	125 dB
Nominal directivity (-6dB):	100°
Usable bandwidth: (-10dB):	60Hz-20kHz
Physical data H x W x D:	890 x 332 x 332 mm / 35 x 13 x 13 inch
Weight:	140 kg / 308 lbs
Integrated light:	RGB illuminated C SEED Logo and top edge
Extend/retract drive:	Remote-controlled electric telescopic drive
Remote control:	APP controlled IOS, intelligent embedded audio control

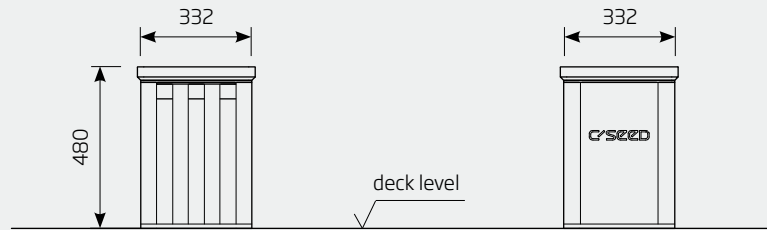
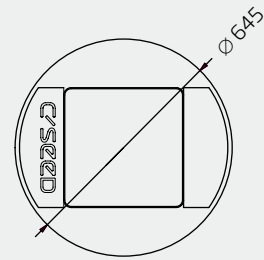
SPEAKER SYSTEM	C SEED SUPERMARINE 89
Type:	Retractable passive 2-way coaxial outdoor speaker system
Configuration:	Full range from 2.0 stereo to 9.2 surround sound
Speaker type:	L-Acoustics coaxial
Axisymmetric maximum:	125 dB
Nominal directivity (-6dB):	100°
Usable bandwidth: (-10dB):	60Hz-20kHz
Physical data H x W x D:	890 x 332 x 332 mm / 35 x 13 x 13 inch
Weight:	140 kg / 308 lbs
Materials:	Marine Grade Stainless Steel, Aluminum & rubber gasket
Integrated light:	RGB illuminated top edge
Extend/retract drive:	Remote-controlled electric telescopic drive
Remote control:	APP controlled IOS, intelligent embedded audio control

SPEAKER SYSTEM	C SEED SUPERMARINE 48
Type:	Retractable passive 2-way coaxial outdoor speaker system
Configuration:	Full range from 2.0 stereo to 9.2 surround sound
Speaker type:	L-Acoustics coaxial
Axisymmetric maximum:	125 dB
Nominal directivity (-6dB):	100°
Usable bandwidth: (-10dB):	60Hz-20kHz
Physical data H x W x D:	480 x 332 x 332mm / 19 x 13 x 13 inch
Weight:	110 kg / 243 lbs
Materials:	Marine Grade Stainless Steel, Aluminum & rubber gasket
Integrated light:	RGB illuminated top edge
Extend/retract drive:	Remote-controlled electric telescopic drive
Remote control:	APP controlled IOS, intelligent embedded audio control

The information and specifications contained in this brochure are for information purposes only and are subject to change without prior notice.



C SEED HYDE 125 | C SEED SUPERMARINE 89



C SEED SUPERMARINE 48

C/SEED

T H E U N F O L D I N G T V