



MAY WES
Original Poly People
A DIVISION OF PRIDE SOLUTIONS

**EXPANDED
LINEUP**



**G4 STALK
STOMPERS**



**POLY
SKID SHOES**



**AUGER TROUGH
& TUBE LINERS**

2026 / 2027 PRODUCT CATALOG

Order Online 24/7 - www.maywes.com

Visit the Website for New Products & Current Pricing

1 (800) 788-6483



**EXPANDED
LINEUP**

**MAY WES
POLY PICKUP
BANDS**

Get More from Your Equipment with May Wes

“Thank You for Your Business. We Will Continue to Earn It.”

At May Wes Manufacturing, we know that every dollar counts—especially in today’s challenging economy. That’s why we remain committed to providing durable, cost-effective UHMW poly wear parts that improve efficiency, save you money, and extend the life of the expensive steel components on your equipment.

This year, we’re especially excited to expand our lineup of May Wes Poly Pickup Bands with new options for Case IH and New Holland balers. Our new design eliminates wrapping and is 12% thicker than previous versions at about half the price of traditional steel bands. If you haven’t tried them yet, this is the year to do it.

You’ll also find several other new products in this year’s catalog, including G4 Stalk Stompers for Case IH C500 Series and New Holland 9200 Series corn heads, Full Replacement Row Dividers for John Deere chopping corn heads, our redesigned Shark Tooth Closing Wheel with curved points, and a Tank Fill Auger Wearshoe for the John Deere X9.

Whether you’re maintaining your current equipment or upgrading your harvesting system, May Wes parts are designed to increase efficiency and reduce your operating costs. Every product in this catalog is backed by our decades of experience in agricultural wear parts and our ongoing commitment to innovation.

We invite you to explore the new and expanded offerings in this year’s catalog, and as always, more products and resources are available at maywes.com. You’ll also find answers to common questions and installation tips on our YouTube channel at youtube.com/maywesmn.

From all of us at May Wes, thank you for your continued trust. We wish you a safe, productive, and profitable season ahead.



Jack Daggett
 President, May Wes Manufacturing
 Pride Solutions, LLC

HOW CAN WE HELP YOU TODAY?



Business Hours:

| | | |
|------------------------|-------------------|-------------------|
| February - June | Monday - Thursday | 8:00 am - 5:00 pm |
| | Fridays | 8:00 am - 4:00 pm |
| July - January | Monday - Friday | 8:00 am - 5:00 pm |



Visit our website - www.maywes.com

Read up on products, watch videos, and place your order online right from your home, office or out in the field.



Email our Customer Service

sales@maywes.com



Watch Product FAQ & Installation Videos

youtube.com/maywesmn



Call our Customer Service

1-800-788-6483

Follow us on social media - for product news, installation videos and more.



MAY WES POLICIES & PROCEDURES

Scope: These policies apply to all business units operating under the Pride Solutions LLC company. Namely: May Wes Manufacturing, C&A Pro Skis, Pride Engineered Plastics and Pride Assembly.

Prices & Terms: Prices and availability are subject to change without notice. All shipments are billed at the price prevailing at the time of shipment. Payment terms are agreed upon prior to or at time of sales and will be listed on the invoice. In the event of non-payment, the buyer shall pay any and all collection costs, including attorney fees.

Payment types currently accepted include Visa, Mastercard, Discover, American Express, or Check.

Shipment: All orders will be shipped in the order they are received. Orders can be shipped UPS Ground, UPS Second Day Air, UPS Next Day Air, or any other available means (including Spee-Dee where suitable). Truck freight will be used when price competitive to UPS or when weight/size dictate otherwise. Pride Solutions is not responsible for goods damaged or lost in transit. We will work with the carrier to resolve the problem.

Warranty: Pride Solutions warrants the product to be free of material and workmanship defects which are apparent upon receipt and initial use of the product. Wear items such as liners, skid shoes and bearings are guaranteed for a reasonable run time, not to exceed one year from the date of purchase. Warranty claims must be reported within 15 days of occurrence of defect. Warranty does not cover damage from improper installation or unintended use of the product. Pride Solutions does not accept responsibility for any damages incurred on the equipment to which the product is applied. The warranty value is limited to the purchase price of the merchandise. No incidental, consequential, indirect losses or

TABLE OF CONTENTS

| | | | | | |
|--|-------|---|---------|--|---------|
| G4 Stalk Stompers | | Skid Shoes (continued...) | | Grain Head Parts (continued...) | |
| G4 Introduction | 1-2 | Skid Shoes for John Deere | 72-77 | Paddle Tines | 124 |
| Case IH C500 | 3-4 | Skid Shoes for MacDon | 78-81 | Crop Dividers | 125 |
| Case IH 4400 / 4200 / 2600 | 5-6 | Skid Shoes for Claas /Lexion /Caterpillar | 82 | Tru-Tube® Auger Straightener | 125 |
| Case IH 3400 / 3200 / 2400 / 2200 | 7-8 | Skid Shoes for Gleaner / Massey | 83-93 | Poly Tin Replacement Shield for Case IH | 125 |
| Case IH 1000 / 900 | 9-10 | Skid Shoes for AGCO | 89-90 | Auger Wearshoes | |
| New Holland 99C / 980 | 11-12 | Skid Shoes for Honey Bee | 89 | Auger Wearshoes - Intro | 126 |
| New Holland 96C / 98C / 98D / 996 | 13-14 | Swather & Haybine Poly Skid Shoes | 94 | Custom Auger Wearshoes | 127 |
| John Deere C-Series | 15-16 | Disc Mower & Discbine Poly Skid Shoes | 94 | Auger Wearshoes for Case IH | 128 |
| John Deere 600 / 700 Series | 17-18 | Combine Parts | | Auger Wearshoes for New Holland | 128 |
| John Deere 90 / 40 Series | 19-20 | Grain Tank Auger Trough Liners | 95 | Auger Wearshoes for John Deere | 129-130 |
| Drago GT | 21-22 | Auger Bed Liners | 95 | Auger Wearshoes for Gleaner | 130 |
| Drago Series I & II | 23 | Universal Auger Tube Liner | 96 | Auger Wearshoes for Massey Ferguson | 131 |
| Harvestec 5000 & 6000 Series | 24 | Tank Fill/Bubble Up Tube Liners | 96 | Auger Wearshoes for Grain Carts | 131-132 |
| MacDon C-Series | 25-26 | Feederhouse Silencer Kits for Case IH | 97-98 | Planting & Tillage | |
| Geringhoff Horizon | 27 | Seed Flow Sensor Impact Wear Plate | 98 | G4 Planter Stalk Stompers | 133 |
| Geringhoff Patriot / Northstar / Rota Disc | 28 | Poly Chain Guides for John Deere | 98 | Pro Chute | 133 |
| Lexion | 29 | Clean Grain Elevator Poly Paddles | 99-100 | Shank Savers | 134 |
| AGCO: Massey / Gleaner / Challenger | 30 | Mini Combine™ | 100 | Shank Protectors | 134 |
| Capello Diamant | 31-32 | Corn Head Parts | | Quick Drain Universal Intake | 134 |
| Capello Quasar | 33 | Poly Corn Snouts | 101-105 | Rapid Drain Filter Tile Inlet & Riser | 134 |
| Fantini | 34 | Poly Corn Snout Replacement Parts | 105 | SeedRight™ Seed Plates | 135 |
| QD2 Replacement Parts | 35 | Crop Divider Front Wear Kits | 106 | Gauge & Press Wheel Scrapers | 135 |
| Tractor Parts | | Crop Divider Rear Wear Kits | 106 | Rebounder™ Seed Covers & Y-Not Split-It™ | 136 |
| G4 Tractor Stalk Stompers - Intro | 36 | Poly Snout Patch | 106 | Closing Wheels | 137-138 |
| G4 Tractor Stalk Stomper Kits | 37-38 | Poly Snout Savers | 107 | Planter Box Toppers & Hinges | 138 |
| Tractor Stalk Stomper Components | 39-40 | Snoot Boots | 107 | Fertilizer Box Toppers | 138 |
| Draw Bar Savers | 41 | Auger Trough Liners for Corn Heads | 108-109 | Seed Fill Tubes - Telescoping | 139 |
| Rear Fender Extensions for John Deere | 41 | Shoe Covers for John Deere C-Series OEM Stalk Stompers | 109 | Seed Fill Tubes - Non-Telescoping | 139 |
| Hay & Forage | | Row Divider Shields | 110 | Poly Cupped & Straight Auger Flighting | 140-142 |
| Poly Pickup Bands | 42-45 | Crop Shields/Trash Aprons for John Deere and Case IH | 111-115 | Other Products | |
| Hay Merger Stripper Bands | 46 | Kernel Keeper™ | 115 | Poly Cutting Edges | 143-144 |
| Hay Merger Skid Shoes | 46 | Ear Savers | 116 | Skid Hitch | 145 |
| Hay Knife | 46 | Grain Head Parts | | LockNLube® & LockNFlate® | 145 |
| Rubber Molded Rake & Baler Teeth | 47-48 | Auger Trough Liners for Grain Heads | 117 | Air Filter Blaster | 146 |
| BaleSkiis® Baler Liners | 49-50 | Retractable Poly Fingers | 118-122 | Ride Tamer Zero-Turn Suspension System | 146 |
| Skid Shoes | | 5-Finger Quick Tines, Snap-On Tines & Quick Fingers | 123 | SlickPlate™ by Minimizer™ | 147 |
| Skid Shoes - Intro | 51 | Poly Reel Tines | 124 | Linear Actuators | 148 |
| Skid Shoes for Case IH | 52-61 | | | Poly Capped Bolts | 149 |
| Skid Shoes for New Holland | 62-71 | | | Hardware | 149 |
| | | | | Bulk Poly | 150 |
| | | | | Poly Chain Tighteners | 150 |

ATTENTION MINNESOTA CUSTOMERS & DEALERS:

If you feel you qualify for Tax Exempt Status, please call us for the tax exempt form. Complete the information and send or fax it to May Wes Manufacturing. Tax Exempt status will only be granted upon receipt of completed form with signature.

MAIL: May Wes Manufacturing
120 Eastgate Drive SE
Hutchinson, MN 55350

EMAIL: sales@maywes.com
FAX: 320-587-6112


damages, expressed or implied, are covered. A warranty claim must be processed with either return of the defective product or reasonable proof that the product failed. Items returned for warranty must be accompanied by a Return Material Authorization (RMA) obtained from Pride Solutions customer service at 1-800-788-6483. If the end user purchased from a dealer or authorized distributor, the dealer or authorized distributor must make the warranty claim. Defective product will be replaced with same or better product. Account credit will be given when a reasonable replacement cannot be provided.

Returns: Merchandise returned for credit must be returned within 90 days of receipt. If the end user purchased from a dealer or authorized distributor, the dealer or authorized distributor must initiate the return. All returns must be accompanied by a Return Material Authorization (RMA) number issued by a Pride Solutions customer service representative at 1-800-788-6483. **Pride Solutions is not responsible for freight charges and may assess up to a 25% restocking fee for all properly filled orders.** In the event of wrong and/or missing parts on an order, the restocking fee is waived and Pride Solutions will pay freight. Merchandise must be returned complete and unused, including hardware. The customer account will be credited the purchase price of the merchandise less the restocking fee (if applicable).

Non-Affiliation With Companies Mentioned: maywes.com is owned and operated by Pride Solutions LLC. Some of our products are compatible with brands listed as an aftermarket vendor. Pride Solutions LLC is not endorsed, sponsored by or affiliated with any other companies mentioned. All brands, copyrights, logos, likenesses, specific model numbers, and registered trademarks are property of their respective companies or organizations.

NEW PRODUCTS

Shark Tooth Closing Wheel
Curved Points Don't Puncture Soil
83893 - \$140/pr




page 137

Poly Pickup Bands – Expanded Lineup
May Wes Design is Thicker & Stronger
Pickup Bands Available for Case IH,
New Holland, John Deere & More



pages 42-45


Row Divider Shields - Full OEM Replacement
For John Deere 600/700 Series
43267 - \$112/ea
43268 - \$112/ea
page 110



Tank Fill Auger Wearshoe for John Deere X9 Combine
Bolt-On Poly, Protect Against Corrosion
43089 - \$50/ea
page 129



Rubber Rake Tooth for New Holland Balers
Direct OEM Replacement
Fits Most Models
page 47




Linear Actuators
For Balers, Combines & Grain Platforms
Starting at \$435
page 148



Hay Merger Stripper Bands
Cost Effective OEM Replacement
Available for Kuhn and Oxbo
page 46



Hay Merger Skid Shoes
Slick & Durable Poly
Available for Kuhn and Oxbo
page 46




COMING SOON

Crop Lifters for Grain Heads
Don't Leave Crop in the Field! Lift & Guide Down Crop Into the Head with Crop Lifters.
Will Fit Most Major Makes and Models
Visit maywes.com for the latest product information or follow us online.



G4 Stalk Stompers for Case IH C500 Series
Also Fits New Holland 9200 Series
Available for 8-18 Row Heads
pages 3-4



CONNECT WITH MAY WES

THANK YOU TO OUR SOCIAL INFLUENCER PARTNERS
Visit these YouTube channels to see our products in action!



Minnesota Millennial Farmer



Larson Farms



Fast Ag Montana



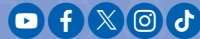
Stanley "Dirt Monkey" Genadek



Welker Farms



Brian's Farming Videos



All About Farming



Look for QR codes throughout the catalog to watch product installation & FAQ videos on YouTube.

Follow May Wes Manufacturing on social media for product updates, installation tips and more. Tag us in your photos for a chance to be featured!



Find us online at:

G4 STALK STOMPERS

PROTECT YOUR TIRES & TRACKS



Stalk Stompers

Patent #US11039572B1



Combine tires and tracks are expensive! Protect yours from stubble damage with May Wes G4 Stalk Stompers.

\$1,700+

Average Cost of a Single Combine Tire Before Mounting & Disposal

\$10,000+

Average Cost of a Single 30" Combine Track

\$481

Average Cost Per Row of G4 Stalk Stomper Coverage



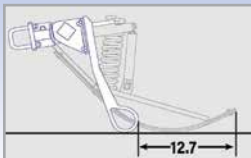
12" Molded UHMW Durable Poly Shoe



Torsion Spring Provides 30° of Flex in Either Direction



Easy to Install & Reposition



30% Lighter than Previous Design



Compatible with Most Header Trailers



Compatible with Folding Heads

G4 STALK STOMPERS

AVAILABLE FOR ALL MAJOR HEADERS



- CASE IH
- NEW HOLLAND
- JOHN DEERE
- DRAGO
- HARVESTEC
- MACDON
- GERINGHOFF
- LEXION
- AGCO
- CAPELLO
- FANTINI

As Featured by Larson Farms & Millennial Farmer



Larson Farms - John Deere 712FC



Larson Farms - Geringhoff Horizon 12RF



Larson Farms - John Deere 612FC

The Big Swede
Reviews G4
Stalk Stompers

Watch now!



Millennial Farmer - John Deere 612C

Field Tested. Farmer Approved.

"Tires and tracks for combines have gotten really expensive. That's why we protect ours with May Wes G4 Stalk Stompers. They do a really good job of leveling out the stalks, even when conditions are frozen or wet."

-Zach Johnson, MN Millennial Farmer



Proudly Made
in the U.S.A.



Made in Minnesota
Manufacturing Award

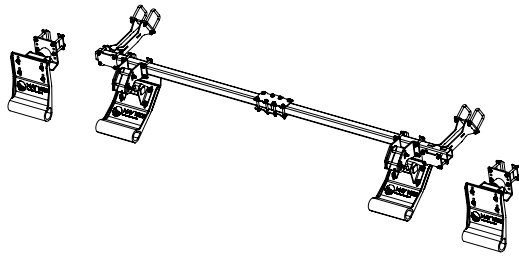


Installation Videos
on YouTube

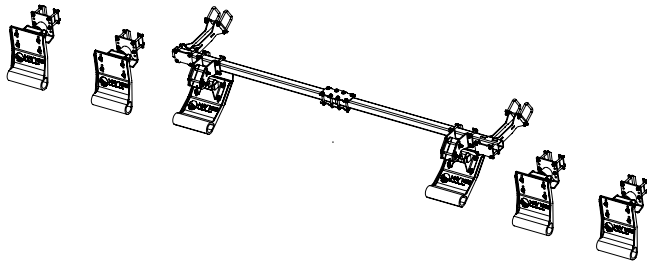
G4 STALK STOMPERS


NEW

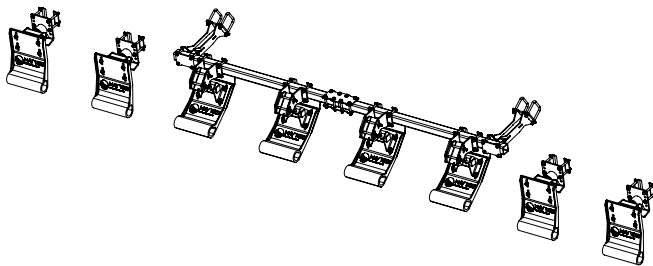
KITS FOR CASE IH C500 SERIES: 8 ROW HEADS



| PART NO | DESCRIPTION | RETAIL PRICE |
|---------------------------|------------------------|-----------------|
| 85062 | 4 Row Kit with Toolbar | \$ 2653 |
| Included Parts | | Quantity |
| 2 ½ x 2 ½ Toolbar - 58" | | Qty: 2 |
| Toolbar Mounting Brackets | | Qty: 2 |
| Row Mounting Brackets | | Qty: 4 |
| Toolbar Splice | | Qty: 1 |

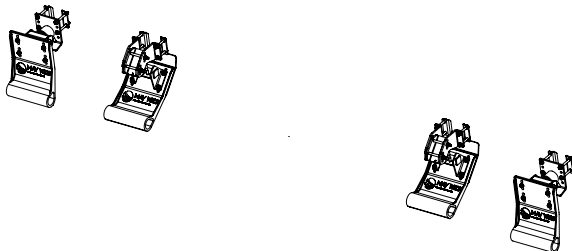


| PART NO | DESCRIPTION | RETAIL PRICE |
|---------------------------|------------------------|-----------------|
| 85064 | 6 Row Kit with Toolbar | \$ 3296 |
| Included Parts | | Quantity |
| 2 ½ x 2 ½ Toolbar - 58" | | Qty: 2 |
| Toolbar Mounting Brackets | | Qty: 2 |
| Row Mounting Brackets | | Qty: 6 |
| Toolbar Splice | | Qty: 1 |

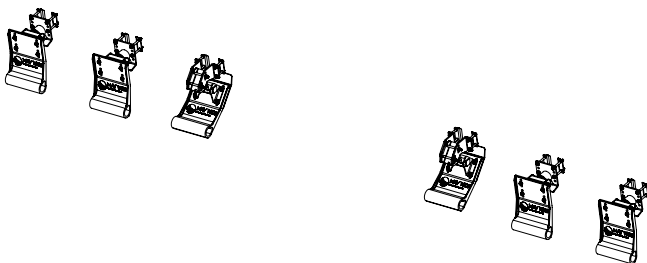


| PART NO | DESCRIPTION | RETAIL PRICE |
|---------------------------|------------------------|-----------------|
| 85066 | 8 Row Kit with Toolbar | \$ 3914 |
| Included Parts | | Quantity |
| 2 ½ x 2 ½ Toolbar - 58" | | Qty: 2 |
| Toolbar Mounting Brackets | | Qty: 2 |
| Row Mounting Brackets | | Qty: 8 |
| Toolbar Splice | | Qty: 1 |

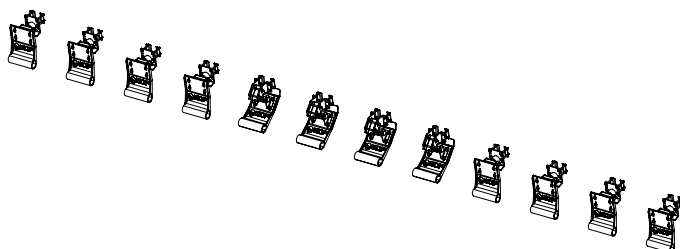
KITS FOR CASE IH C500 SERIES: 12-18 ROW HEADS



| PART NO | DESCRIPTION | RETAIL PRICE |
|-----------------------|------------------------------------|-----------------|
| 85063 | 4 Row Kit (No Toolbar Required) | \$ 1750 |
| Included Parts | | Quantity |
| Row Mounting Brackets | | Qty: 4 |



| PART NO | DESCRIPTION | RETAIL PRICE |
|-----------------------|------------------------------------|-----------------|
| 85065 | 6 Row Kit (No Toolbar Required) | \$ 2400 |
| Included Parts | | Quantity |
| Row Mounting Brackets | | Qty: 6 |



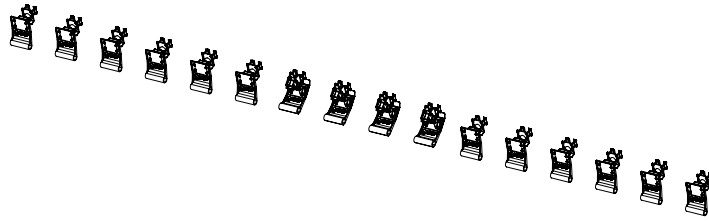
| PART NO | DESCRIPTION | RETAIL PRICE |
|-----------------------|-------------------------------------|-----------------|
| 85067 | 12 Row Kit (No Toolbar Required) | \$ 5000 |
| Included Parts | | Quantity |
| Row Mounting Brackets | | Qty: 12 |

G4 STALK STOMPERS

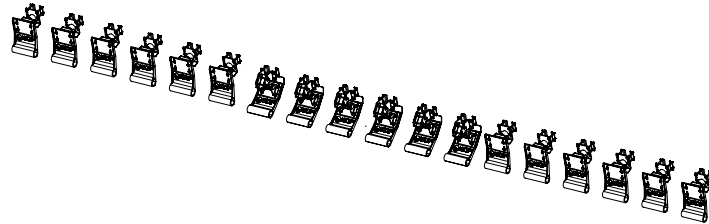


STALK STOMPERS

KITS FOR CASE IH C500 SERIES: 12-18 ROW HEADS



| PART NO | DESCRIPTION | RETAIL PRICE |
|-----------------------|-------------------------------------|-----------------|
| 85068 | 16 Row Kit (No Toolbar Required) | \$ 6600 |
| Included Parts | | Quantity |
| Row Mounting Brackets | | Qty: 16 |



| PART NO | DESCRIPTION | RETAIL PRICE |
|-----------------------|-------------------------------------|-----------------|
| 85069 | 18 Row Kit (No Toolbar Required) | \$ 7400 |
| Included Parts | | Quantity |
| Row Mounting Brackets | | Qty: 18 |

These kits are also compatible with New Holland 9200 series heads.

REPLACEMENT PARTS FOR CASE IH C500 SERIES

| | | | |
|--|--|--|---|
| <p>Single Row Outer Assembly 43290 \$ 400 ea</p> | <p>Single Row Inner Assembly 43317 \$ 450 ea</p> | <p>12" Shoe 24100 \$ 148 ea</p> | <p>Toolbar Splice 43302 \$ 100 ea</p> |
| <p>Outer Row Bracket 43304 \$ 125 ea</p> | <p>Inner Row Bracket 43318 \$ 225 ea</p> | <p>Toolbar Bracket 43300 \$ 300 ea</p> | <p>Torsion Unit 42295 \$ 206 ea</p> |
| <p>Bent Pin & Clip (2 pack) 42384 \$ 12 pk</p> | <p>2 1/2 x 2 1/2 Toolbar - 58" 43303 \$ 150 ea</p> | | <p>ORDER ONLINE 24/7</p> |



Check out our website - WWW.MAYWES.COM for more information, installation instructions and our full lineup of poly products.



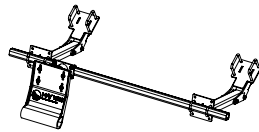
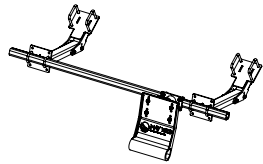
CORN HEAD AUGER TROUGH LINERS

Protect the high-wear areas in your auger trough

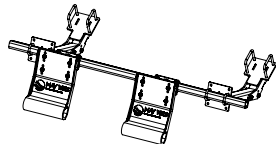
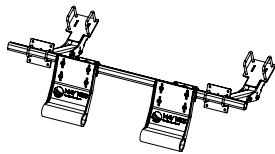
FIND THEM ON PAGES 108-109

G4 STALK STOMPERS

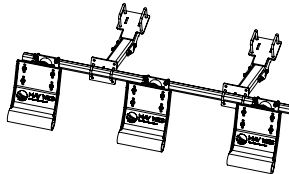
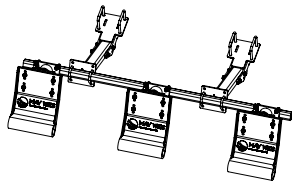
KITS FOR CASE IH 4400 / 4200 / 2600 SERIES: 2-18 ROW HEADS



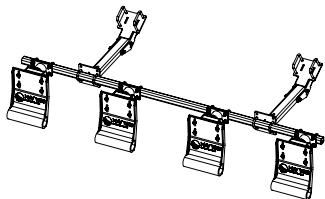
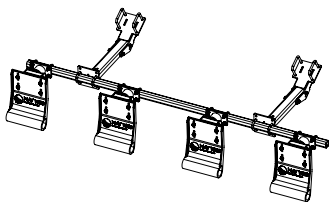
| PART NO | DESCRIPTION | RETAIL PRICE |
|------------------------|---------------------|-----------------|
| 84891 | 2 Row Kit | \$ 2009 |
| 84898 | Kit without Toolbar | \$ 1854 |
| Included Parts | | Quantity |
| 2x2 Toolbar - 72" | | Qty: 2 |
| Head Mounting Brackets | | Qty: 4 |
| Toolbar Splice | | N/A |



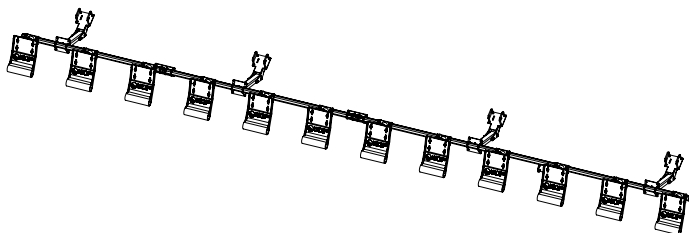
| PART NO | DESCRIPTION | RETAIL PRICE |
|------------------------|---------------------|-----------------|
| 84892 | 4 Row Kit | \$ 2653 |
| 84899 | Kit without Toolbar | \$ 2498 |
| Included Parts | | Quantity |
| 2x2 Toolbar - 72" | | Qty: 2 |
| Head Mounting Brackets | | Qty: 4 |
| Toolbar Splice | | N/A |



| PART NO | DESCRIPTION | RETAIL PRICE |
|------------------------|---------------------|-----------------|
| 84893 | 6 Row Kit | \$ 3296 |
| 84900 | Kit without Toolbar | \$ 3090 |
| Included Parts | | Quantity |
| 2x2 Toolbar - 102" | | Qty: 2 |
| Head Mounting Brackets | | Qty: 4 |
| Toolbar Splice | | N/A |



| PART NO | DESCRIPTION | RETAIL PRICE |
|------------------------|---------------------|-----------------|
| 84894 | 8 Row Kit | \$ 3914 |
| 84901 | Kit without Toolbar | \$ 3554 |
| Included Parts | | Quantity |
| 2x2 Toolbar - 102" | | Qty: 2 |
| Head Mounting Brackets | | Qty: 4 |
| Toolbar Splice | | N/A |

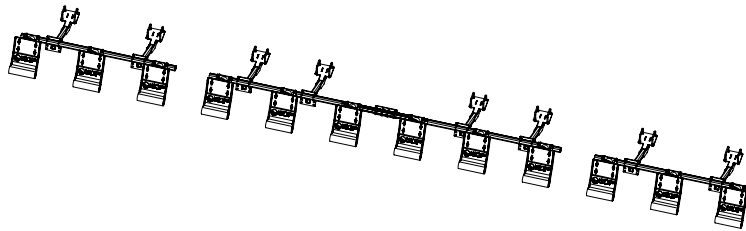


| PART NO | DESCRIPTION | RETAIL PRICE |
|------------------------|---------------------|-----------------|
| 84895 | 12 Row Kit | \$ 5202 |
| 84902 | Kit without Toolbar | \$ 4790 |
| Included Parts | | Quantity |
| 2x2 Toolbar - 72" | | Qty: 2 |
| - 102" | | Qty: 2 |
| Head Mounting Brackets | | Qty: 4 |
| Toolbar Splice | | Qty: 4 |

G4 STALK STOMPERS

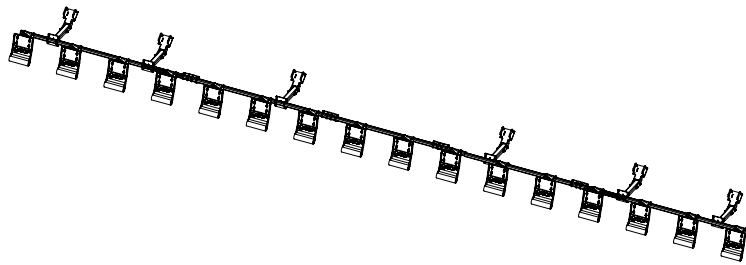
STALK STOMPERS

KITS FOR CASE IH 4400 / 4200 / 2600 SERIES: 2-18 ROW HEADS



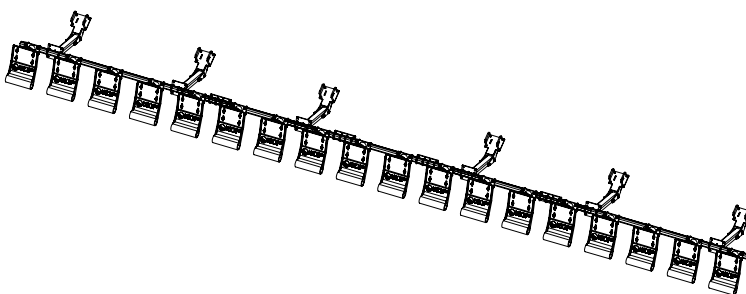
| PART NO | DESCRIPTION | RETAIL PRICE |
|---------|-----------------------------|--------------|
| 84943 | 12 Row Kit for Folding Head | \$ 6155 |
| 84944 | Kit without Toolbar | \$ 5717 |

| Included Parts | Quantity |
|------------------------|----------|
| 2x2 Toolbar - 72" | Qty: 2 |
| - 102" | Qty: 2 |
| Head Mounting Brackets | Qty: 8 |
| Toolbar Splice | Qty: 2 |



| PART NO | DESCRIPTION | RETAIL PRICE |
|---------|---------------------|--------------|
| 84896 | 16 Row Kit | \$ 6979 |
| 84903 | Kit without Toolbar | \$ 6464 |

| Included Parts | Quantity |
|------------------------|----------|
| 2x2 Toolbar - 102" | Qty: 5 |
| Head Mounting Brackets | Qty: 6 |
| Toolbar Splice | Qty: 4 |





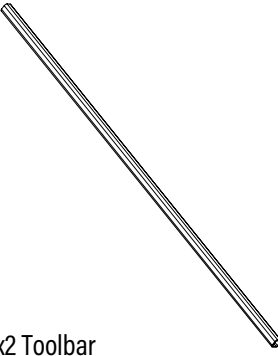
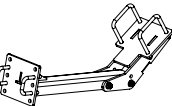
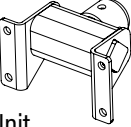
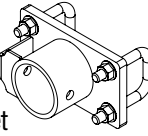
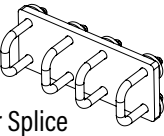
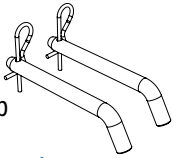
| PART NO | DESCRIPTION | RETAIL PRICE |
|---------|---------------------|--------------|
| 84897 | 18 Row Kit | \$ 7700 |
| 84904 | Kit without Toolbar | \$ 7185 |

| Included Parts | Quantity |
|------------------------|----------|
| 2x2 Toolbar - 72" | Qty: 2 |
| - 102" | Qty: 3 |
| Head Mounting Brackets | Qty: 6 |
| Toolbar Splice | Qty: 4 |

The 2x2 toolbar is required but can be purchased locally to reduce shipping cost.

This is standard 2x2 square 3/16" - sidewall tubing available from most fabrication shops or metal supply companies.

REPLACEMENT PARTS FOR CASE IH 4400 / 4200 / 2600 SERIES

| | | |
|---|---|--|
|  Single Row Shoe Assembly 43102 \$ 428 ea |  12" Shoe 24100 \$ 148 ea |  2x2 Toolbar 72" 41672 \$ 124 ea 102" 41673 \$ 181 ea |
|  Adjustable Header Arm Mount Bracket 42472 \$ 315 ea |  Torsion Unit 42295 \$ 206 ea | |
|  Toolbar Mount Bracket 43101 \$ 125 ea |  Toolbar Splice 41827 \$ 63 ea |  Bent Pin & Clip (2 pack) 42384 \$ 12 pk |

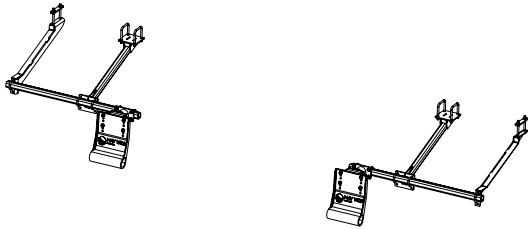
INSTALLATION VIDEO
Case IH 4400 Series



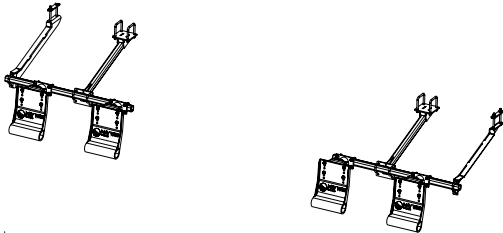

Scan the QR code with your smartphone to watch on YouTube.

G4 STALK STOMPERS

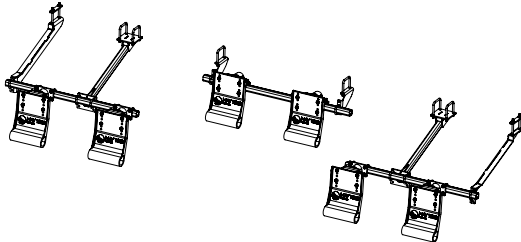
KITS FOR CASE IH 3400 / 3200 / 2400 / 2200 SERIES: 6 ROW HEADS



| PART NO | DESCRIPTION | RETAIL PRICE |
|------------------------|---------------------|-----------------|
| 84908 | 2 Row Kit | \$ 1751 |
| 84924 | Kit without Toolbar | \$ 1494 |
| Included Parts | | Quantity |
| 2x2 Toolbar - 72" | | Qty: 2 |
| Head Mounting Brackets | | Qty: 4 |
| Toolbar Splice | | N/A |



| PART NO | DESCRIPTION | RETAIL PRICE |
|------------------------|---------------------|-----------------|
| 84909 | 4 Row Kit | \$ 2272 |
| 84925 | Kit without Toolbar | \$ 2060 |
| Included Parts | | Quantity |
| 2x2 Toolbar - 72" | | Qty: 2 |
| Head Mounting Brackets | | Qty: 4 |
| Toolbar Splice | | N/A |

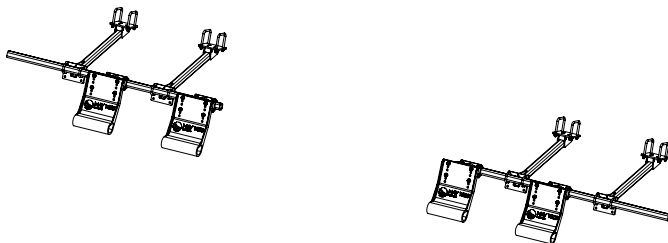


| PART NO | DESCRIPTION | RETAIL PRICE |
|------------------------|---------------------|-----------------|
| 84911 | 6 Row Kit | \$ 3477 |
| 84927 | Kit without Toolbar | \$ 3193 |
| Included Parts | | Quantity |
| 2x2 Toolbar - 72" | | Qty: 3 |
| Head Mounting Brackets | | Qty: 6 |
| Toolbar Splice | | N/A |

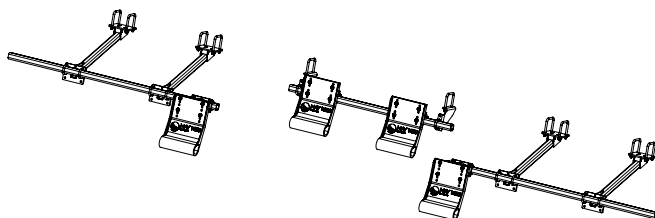
KITS FOR CASE IH 3400 / 3200 / 2400 / 2200 SERIES: 8 & 12 ROW HEADS



| PART NO | DESCRIPTION | RETAIL PRICE |
|------------------------|---------------------|-----------------|
| 84912 | 2 Row Kit | \$ 2009 |
| 84928 | Kit without Toolbar | \$ 1829 |
| Included Parts | | Quantity |
| 2x2 Toolbar - 72" | | Qty: 2 |
| Head Mounting Brackets | | Qty: 4 |
| Toolbar Splice | | N/A |



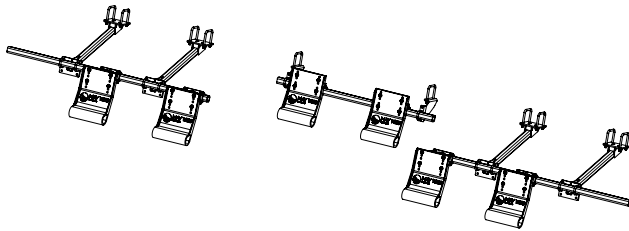
| PART NO | DESCRIPTION | RETAIL PRICE |
|------------------------|---------------------|-----------------|
| 84913 | 4 Row Kit | \$ 2601 |
| 84929 | Kit without Toolbar | \$ 2447 |
| Included Parts | | Quantity |
| 2x2 Toolbar - 72" | | Qty: 2 |
| Head Mounting Brackets | | Qty: 4 |
| Toolbar Splice | | N/A |



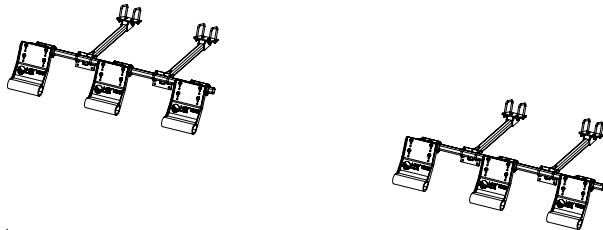
| PART NO | DESCRIPTION | RETAIL PRICE |
|------------------------|---------------------|-----------------|
| 84914 | 4 Row Kit | \$ 2704 |
| 84930 | Kit without Toolbar | \$ 2550 |
| Included Parts | | Quantity |
| 2x2 Toolbar - 72" | | Qty: 3 |
| Head Mounting Brackets | | Qty: 6 |
| Toolbar Splice | | N/A |

G4 STALK STOMPERS

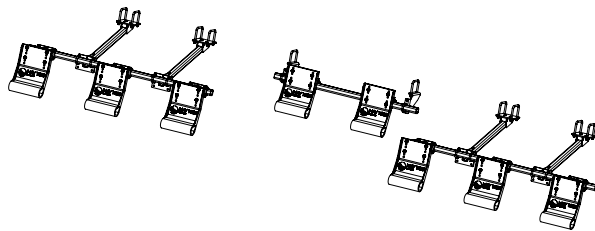
KITS FOR CASE IH 3400 / 3200 / 2400 / 2200 SERIES: 8 & 12 ROW HEADS



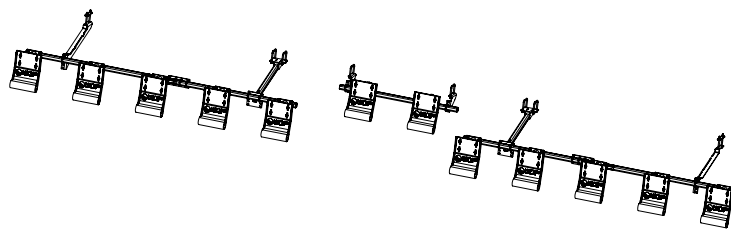
| PART NO | DESCRIPTION | RETAIL PRICE |
|------------------------|---------------------|-----------------|
| 84915 | 6 Row Kit | \$ 3528 |
| 84931 | Kit without Toolbar | \$ 3296 |
| Included Parts | | Quantity |
| 2x2 Toolbar - 72" | | Qty: 3 |
| Head Mounting Brackets | | Qty: 6 |
| Toolbar Splice | | N/A |



| PART NO | DESCRIPTION | RETAIL PRICE |
|------------------------|---------------------|-----------------|
| 84916 | 6 Row Kit | \$ 3451 |
| 84932 | Kit without Toolbar | \$ 3219 |
| Included Parts | | Quantity |
| 2x2 Toolbar - 72" | | Qty: 2 |
| Head Mounting Brackets | | Qty: 4 |
| Toolbar Splice | | N/A |



| PART NO | DESCRIPTION | RETAIL PRICE |
|------------------------|---------------------|-----------------|
| 84917 | 8 Row Kit | \$ 4223 |
| 84933 | Kit without Toolbar | \$ 3914 |
| Included Parts | | Quantity |
| 2x2 Toolbar - 72" | | Qty: 3 |
| Head Mounting Brackets | | Qty: 6 |
| Toolbar Splice | | N/A |




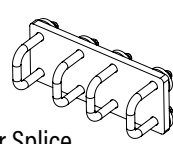
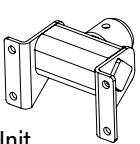
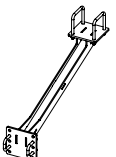
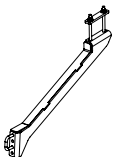
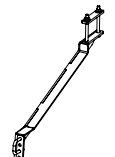
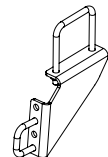
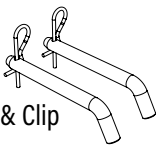
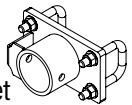
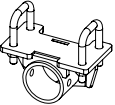




| PART NO | DESCRIPTION | RETAIL PRICE |
|------------------------|---------------------|-----------------|
| 84918 | 12 Row Kit | \$ 5588 |
| 84934 | Kit without Toolbar | \$ 5073 |
| Included Parts | | Quantity |
| 2x2 Toolbar - 72" | | Qty: 5 |
| Head Mounting Brackets | | Qty: 6 |
| Toolbar Splice | | Qty: 2 |

16 & 18 Row Kits Available. Contact May Wes or your dealer for ordering information.

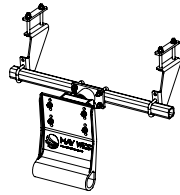
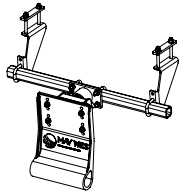
The 2x2 toolbar is required but can be purchased locally to reduce shipping cost. This is standard 2x2 square 3/16" - sidewall tubing available from most fabrication shops or metal supply companies.

REPLACEMENT PARTS FOR CASE IH 3400 / 3200 / 2400 / 2200 SERIES

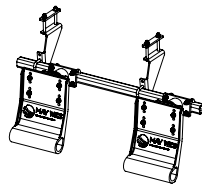
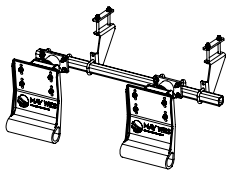
| | | | | |
|--|--|--|--|---|
|  Single Row Shoe Assembly 43102 \$ 428 ea |  Single Center Row Shoe Assembly 43115 \$ 428 ea |  12" Shoe 24100 \$ 148 ea |  Toolbar Splice 41827 \$ 63 ea |  Torsion Unit 42295 \$ 206 ea |
|  Header Bracket 42450 \$ 309 ea |  Left End Header Bracket 42452 \$ 247 ea |  Right End Header Bracket 42465 \$ 247 ea |  Center Header Bracket 42454 \$ 83 ea |  Bent Pin & Clip (2 pack) 42384 \$ 12 pk |
|  Toolbar Mount Bracket 43101 \$ 125 ea |  Center Row Toolbar Mount Bracket 43111 \$ 125 ea |  2x2 Toolbar 72" 41672 \$ 124 ea 102" 41673 \$ 181 ea | ORDER ONLINE 24/7  | |

G4 STALK STOMPERS

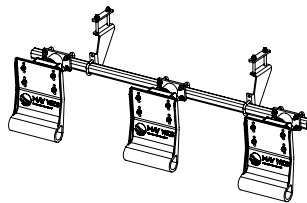
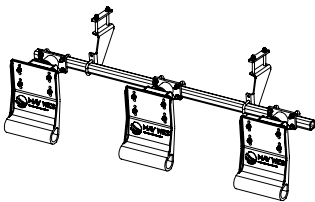
KITS FOR CASE IH 1000 /900 SERIES: 6 ROW HEADS



| PART NO | DESCRIPTION | RETAIL PRICE |
|------------------------|---------------------|-----------------|
| 84981 | 2 Row Kit | \$ 1288 |
| 84857 | Kit without Toolbar | \$ 1133 |
| Included Parts | | Quantity |
| 2x2 Toolbar - 72" | | Qty: 2 |
| Head Mounting Brackets | | Qty: 4 |
| Toolbar Splice | | N/A |

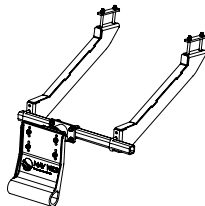
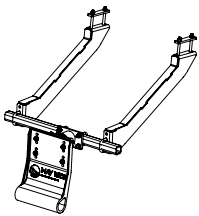


| PART NO | DESCRIPTION | RETAIL PRICE |
|------------------------|---------------------|-----------------|
| 84983 | 4 Row Kit | \$ 1932 |
| 84859 | Kit without Toolbar | \$ 1751 |
| Included Parts | | Quantity |
| 2x2 Toolbar - 72" | | Qty: 2 |
| Head Mounting Brackets | | Qty: 4 |
| Toolbar Splice | | N/A |

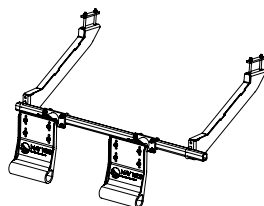
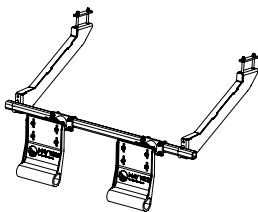


| PART NO | DESCRIPTION | RETAIL PRICE |
|------------------------|---------------------|-----------------|
| 84984 | 6 Row Kit | \$ 2884 |
| 84860 | Kit without Toolbar | \$ 2678 |
| Included Parts | | Quantity |
| 2x2 Toolbar - 102" | | Qty: 2 |
| Head Mounting Brackets | | Qty: 4 |
| Toolbar Splice | | N/A |

KITS FOR CASE IH 1000 /900 SERIES: 8 ROW HEADS



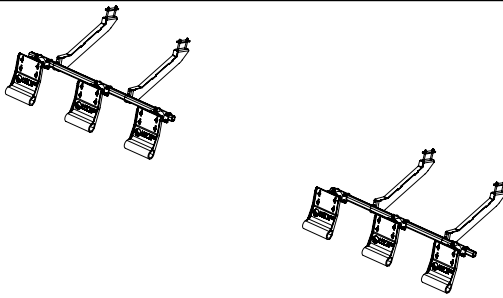
| PART NO | DESCRIPTION | RETAIL PRICE |
|------------------------|---------------------|-----------------|
| 84985 | 2 Row Kit | \$ 1751 |
| 84861 | Kit without Toolbar | \$ 1545 |
| Included Parts | | Quantity |
| 2x2 Toolbar - 72" | | Qty: 2 |
| Head Mounting Brackets | | Qty: 4 |
| Toolbar Splice | | N/A |



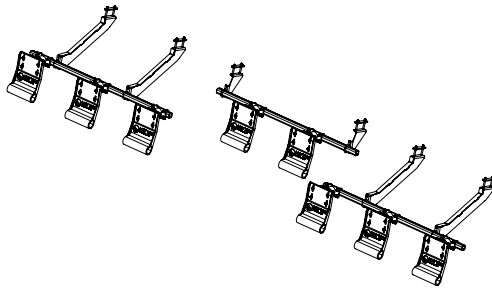
| PART NO | DESCRIPTION | RETAIL PRICE |
|------------------------|---------------------|-----------------|
| 84986 | 4 Row Kit | \$ 2421 |
| 84862 | Kit without Toolbar | \$ 2215 |
| Included Parts | | Quantity |
| 2x2 Toolbar - 72" | | Qty: 2 |
| Head Mounting Brackets | | Qty: 4 |
| Toolbar Splice | | N/A |

G4 STALK STOMPERS

KITS FOR CASE IH 1000 / 900 SERIES: 8 ROW HEADS



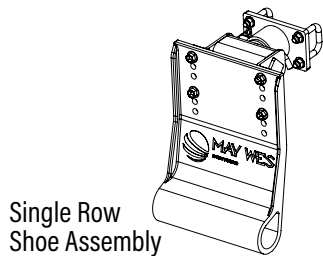
| PART NO | DESCRIPTION | RETAIL PRICE |
|------------------------|---------------------|--------------|
| 84989 | 6 Row Kit | \$ 3245 |
| 84865 | Kit without Toolbar | \$ 3039 |
| Included Parts | | Quantity |
| 2x2 Toolbar - 102" | | Qty: 2 |
| Head Mounting Brackets | | Qty: 4 |
| Toolbar Splice | | N/A |



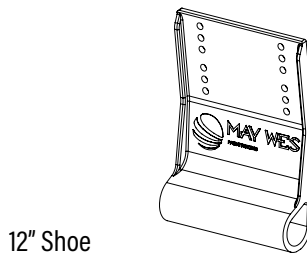
| PART NO | DESCRIPTION | RETAIL PRICE |
|------------------------|---------------------|--------------|
| 84990 | 8 Row Kit | \$ 3708 |
| 84866 | Kit without Toolbar | \$ 3528 |
| Included Parts | | Quantity |
| 2x2 Toolbar - 102" | | Qty: 3 |
| Head Mounting Brackets | | Qty: 6 |
| Toolbar Splice | | N/A |

The 2x2 toolbar is required but can be purchased locally to reduce shipping cost. This is standard 2x2 square 3/16" - sidewall tubing available from most fabrication shops or metal supply companies.

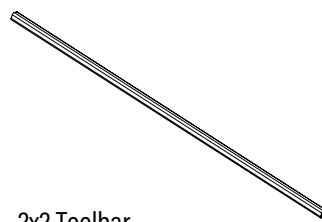
REPLACEMENT PARTS FOR CASE IH 1000 / 900 SERIES



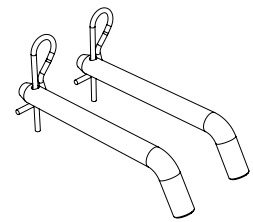
Single Row Shoe Assembly
43102 \$ 428 ea



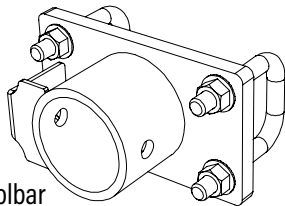
12" Shoe
24100 \$ 148 ea



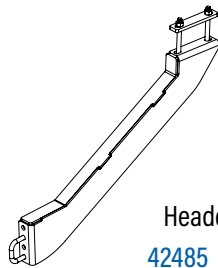
2x2 Toolbar
72" 41672 \$ 124 ea
102" 41673 \$ 181 ea



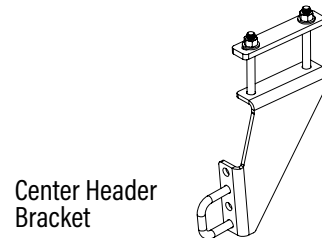
Bent Pin & Clip (2 pack)
42384 \$ 12 pk



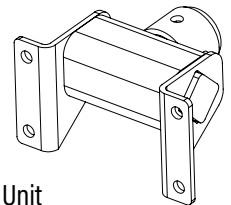
Toolbar Mount Bracket
43101 \$ 125 ea



Header Bracket
42485 \$ 248 ea



Center Header Bracket
42477 \$ 79 ea



Torsion Unit
42295 \$ 206 ea



EAR SAVERS

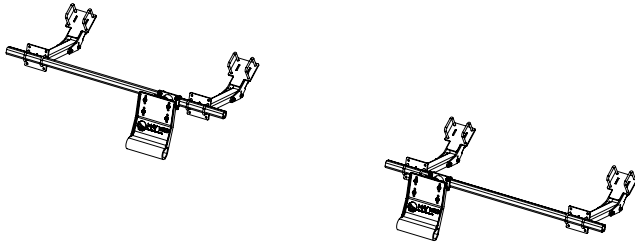
FOR CASE IH 1000 / 900 SERIES

Better Memory Than Factory Rubber

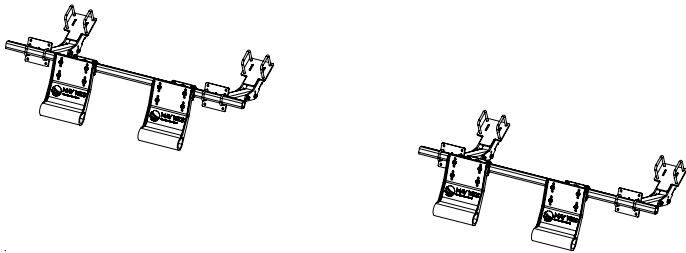
PAGE 116

G4 STALK STOMPERS

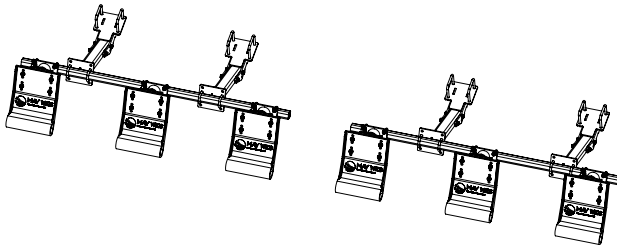
KITS FOR NEW HOLLAND 99C / 980 SERIES: 2-18 ROW HEADS



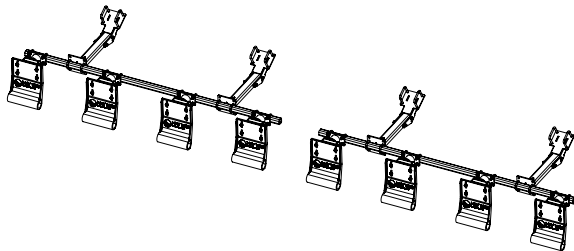
| PART NO | DESCRIPTION | RETAIL PRICE |
|------------------------|---------------------|-----------------|
| 84891 | 2 Row Kit | \$ 2009 |
| 84898 | Kit without Toolbar | \$ 1854 |
| Included Parts | | Quantity |
| 2x2 Toolbar - 72" | | Qty: 2 |
| Head Mounting Brackets | | Qty: 4 |
| Toolbar Splice | | N/A |



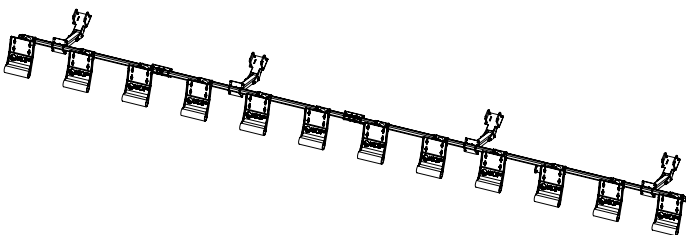
| PART NO | DESCRIPTION | RETAIL PRICE |
|------------------------|---------------------|-----------------|
| 84892 | 4 Row Kit | \$ 2653 |
| 84899 | Kit without Toolbar | \$ 2498 |
| Included Parts | | Quantity |
| 2x2 Toolbar - 72" | | Qty: 2 |
| Head Mounting Brackets | | Qty: 4 |
| Toolbar Splice | | N/A |



| PART NO | DESCRIPTION | RETAIL PRICE |
|------------------------|---------------------|-----------------|
| 84893 | 6 Row Kit | \$ 3296 |
| 84900 | Kit without Toolbar | \$ 3090 |
| Included Parts | | Quantity |
| 2x2 Toolbar - 102" | | Qty: 2 |
| Head Mounting Brackets | | Qty: 4 |
| Toolbar Splice | | N/A |



| PART NO | DESCRIPTION | RETAIL PRICE |
|------------------------|---------------------|-----------------|
| 84894 | 8 Row Kit | \$ 3914 |
| 84901 | Kit without Toolbar | \$ 3554 |
| Included Parts | | Quantity |
| 2x2 Toolbar - 102" | | Qty: 2 |
| Head Mounting Brackets | | Qty: 4 |
| Toolbar Splice | | N/A |

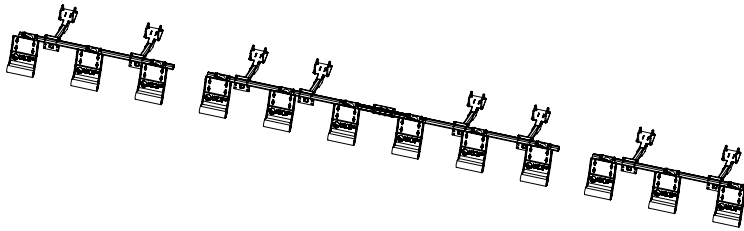


| PART NO | DESCRIPTION | RETAIL PRICE |
|------------------------|---------------------|-----------------|
| 84895 | 12 Row Kit | \$ 5202 |
| 84902 | Kit without Toolbar | \$ 4790 |
| Included Parts | | Quantity |
| 2x2 Toolbar - 72" | | Qty: 2 |
| - 102" | | Qty: 2 |
| Head Mounting Brackets | | Qty: 4 |
| Toolbar Splice | | Qty: 4 |

G4 STALK STOMPERS

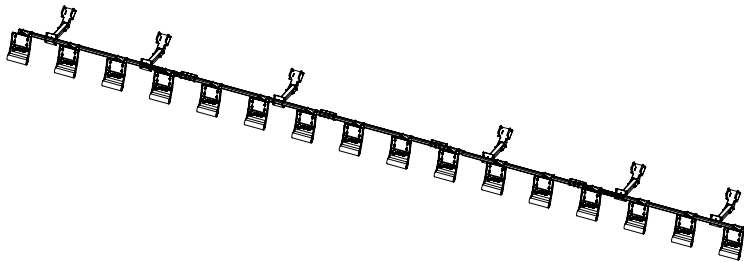
STALK STOMPERS

KITS FOR NEW HOLLAND 99C / 980 SERIES: 2-18 ROW HEADS



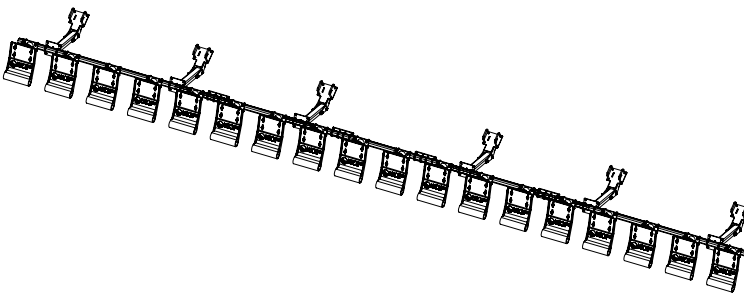
| PART NO | DESCRIPTION | RETAIL PRICE |
|---------|-----------------------------|--------------|
| 84943 | 12 Row Kit for Folding Head | \$ 6155 |
| 84944 | Kit without Toolbar | \$ 5717 |

| Included Parts | Quantity |
|------------------------|----------|
| 2x2 Toolbar - 72" | Qty: 2 |
| - 102" | Qty: 2 |
| Head Mounting Brackets | Qty: 8 |
| Toolbar Splice | Qty: 2 |



| PART NO | DESCRIPTION | RETAIL PRICE |
|---------|---------------------|--------------|
| 84896 | 16 Row Kit | \$ 6979 |
| 84903 | Kit without Toolbar | \$ 6464 |

| Included Parts | Quantity |
|------------------------|----------|
| 2x2 Toolbar - 102" | Qty: 5 |
| Head Mounting Brackets | Qty: 6 |
| Toolbar Splice | Qty: 4 |

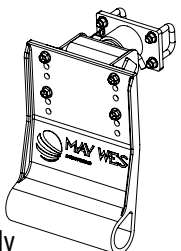
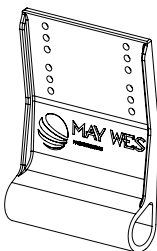
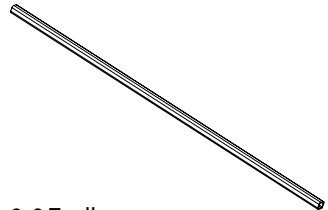
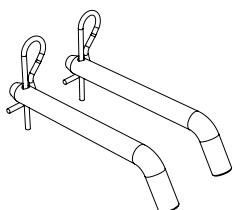
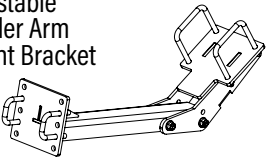
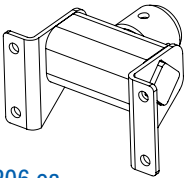
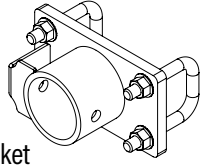
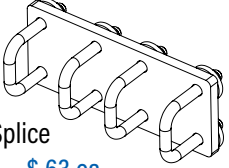


| PART NO | DESCRIPTION | RETAIL PRICE |
|---------|---------------------|--------------|
| 84897 | 18 Row Kit | \$ 7700 |
| 84904 | Kit without Toolbar | \$ 7185 |

| Included Parts | Quantity |
|------------------------|----------|
| 2x2 Toolbar - 72" | Qty: 2 |
| - 102" | Qty: 3 |
| Head Mounting Brackets | Qty: 6 |
| Toolbar Splice | Qty: 4 |

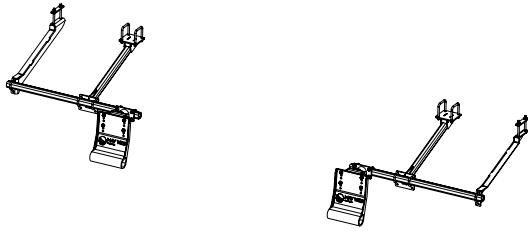
The 2x2 toolbar is required but can be purchased locally to reduce shipping cost. This is standard 2x2 square 3/16" - sidewall tubing available from most fabrication shops or metal supply companies.

REPLACEMENT PARTS FOR NEW HOLLAND 99C / 980 SERIES

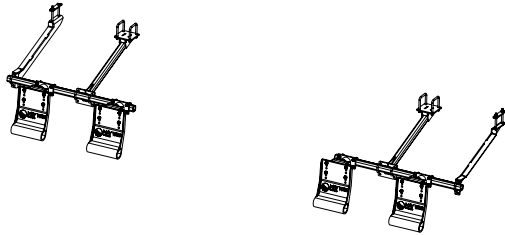
| | | | |
|---|--|--|---|
|  Single Row Shoe Assembly 43102 \$ 428 ea |  12" Shoe 24100 \$ 148 ea |  2x2 Toolbar 72" 41672 \$ 124 ea 102" 41673 \$ 181 ea |  Bent Pin & Clip (2 pack) 42384 \$ 12 pk |
|  Adjustable Header Arm Mount Bracket 42472 \$ 315 ea |  Torsion Unit 42295 \$ 206 ea |  Toolbar Mount Bracket 43101 \$ 125 ea |  Toolbar Splice 41827 \$ 63 ea |

G4 STALK STOMPERS

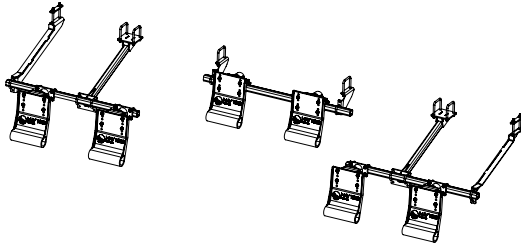
KITS FOR NEW HOLLAND 96C / 98C / 98D / 996 SERIES: 6 ROW HEADS



| PART NO | DESCRIPTION | RETAIL PRICE |
|------------------------|---------------------|-----------------|
| 84908 | 2 Row Kit | \$ 1751 |
| 84924 | Kit without Toolbar | \$ 1494 |
| Included Parts | | Quantity |
| 2x2 Toolbar - 72" | | Qty: 2 |
| Head Mounting Brackets | | Qty: 4 |
| Toolbar Splice | | N/A |



| PART NO | DESCRIPTION | RETAIL PRICE |
|------------------------|---------------------|-----------------|
| 84909 | 4 Row Kit | \$ 2272 |
| 84925 | Kit without Toolbar | \$ 2060 |
| Included Parts | | Quantity |
| 2x2 Toolbar - 72" | | Qty: 2 |
| Head Mounting Brackets | | Qty: 4 |
| Toolbar Splice | | N/A |

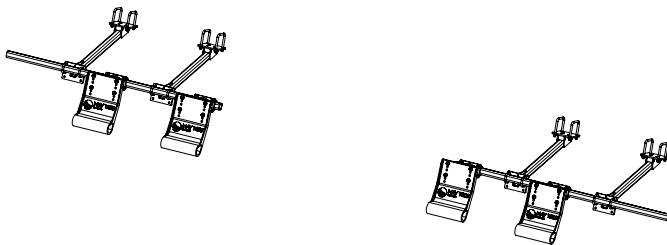


| PART NO | DESCRIPTION | RETAIL PRICE |
|------------------------|---------------------|-----------------|
| 84911 | 6 Row Kit | \$ 3477 |
| 84927 | Kit without Toolbar | \$ 3193 |
| Included Parts | | Quantity |
| 2x2 Toolbar - 72" | | Qty: 3 |
| Head Mounting Brackets | | Qty: 6 |
| Toolbar Splice | | N/A |

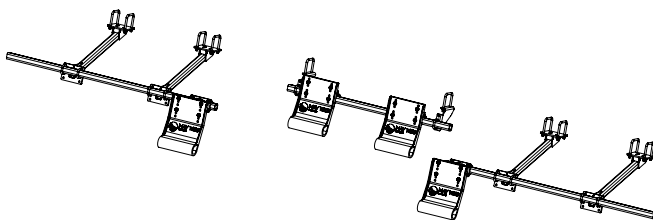
KITS FOR NEW HOLLAND 96C / 98C / 98D / 996 SERIES: 8 & 12 ROW HEADS



| PART NO | DESCRIPTION | RETAIL PRICE |
|------------------------|---------------------|-----------------|
| 84912 | 2 Row Kit | \$ 2009 |
| 84928 | Kit without Toolbar | \$ 1829 |
| Included Parts | | Quantity |
| 2x2 Toolbar - 72" | | Qty: 2 |
| Head Mounting Brackets | | Qty: 4 |
| Toolbar Splice | | N/A |



| PART NO | DESCRIPTION | RETAIL PRICE |
|------------------------|---------------------|-----------------|
| 84913 | 4 Row Kit | \$ 2601 |
| 84929 | Kit without Toolbar | \$ 2447 |
| Included Parts | | Quantity |
| 2x2 Toolbar - 72" | | Qty: 2 |
| Head Mounting Brackets | | Qty: 4 |
| Toolbar Splice | | N/A |

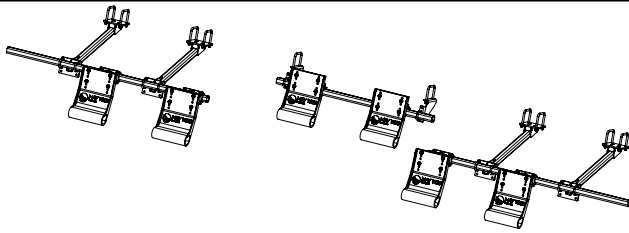


| PART NO | DESCRIPTION | RETAIL PRICE |
|------------------------|---------------------|-----------------|
| 84914 | 4 Row Kit | \$ 2704 |
| 84930 | Kit without Toolbar | \$ 2550 |
| Included Parts | | Quantity |
| 2x2 Toolbar - 72" | | Qty: 3 |
| Head Mounting Brackets | | Qty: 6 |
| Toolbar Splice | | N/A |

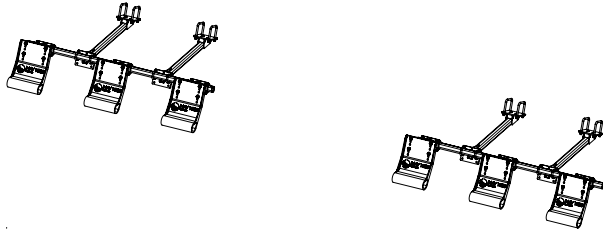
G4 STALK STOMPERS

STALK STOMPERS

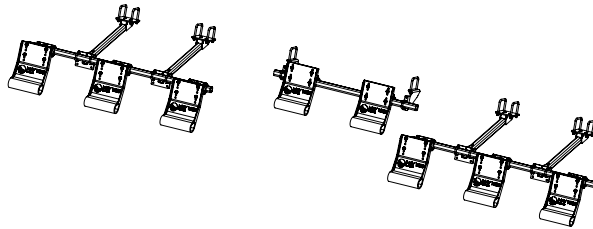
KITS FOR NEW HOLLAND 96C / 98C / 98D / 996 SERIES: 8 & 12 ROW HEADS



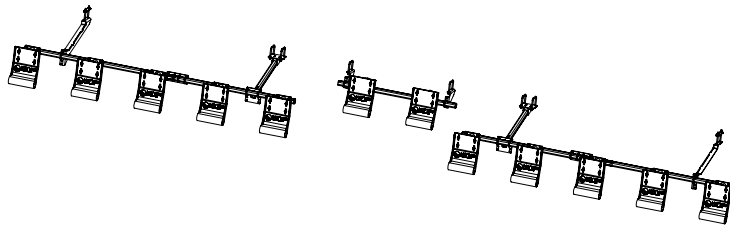
| PART NO | DESCRIPTION | RETAIL PRICE |
|------------------------|---------------------|--------------|
| 84915 | 6 Row Kit | \$ 3528 |
| 84931 | Kit without Toolbar | \$ 3296 |
| Included Parts | | Quantity |
| 2x2 Toolbar - 72" | | Qty: 3 |
| Head Mounting Brackets | | Qty: 6 |
| Toolbar Splice | | N/A |



| PART NO | DESCRIPTION | RETAIL PRICE |
|------------------------|---------------------|--------------|
| 84916 | 6 Row Kit | \$ 3451 |
| 84932 | Kit without Toolbar | \$ 3219 |
| Included Parts | | Quantity |
| 2x2 Toolbar - 72" | | Qty: 2 |
| Head Mounting Brackets | | Qty: 4 |
| Toolbar Splice | | N/A |



| PART NO | DESCRIPTION | RETAIL PRICE |
|------------------------|---------------------|--------------|
| 84917 | 8 Row Kit | \$ 4223 |
| 84933 | Kit without Toolbar | \$ 3914 |
| Included Parts | | Quantity |
| 2x2 Toolbar - 72" | | Qty: 3 |
| Head Mounting Brackets | | Qty: 6 |
| Toolbar Splice | | N/A |



| PART NO | DESCRIPTION | RETAIL PRICE |
|------------------------|---------------------|--------------|
| 84918 | 12 Row Kit | \$ 5588 |
| 84934 | Kit without Toolbar | \$ 5073 |
| Included Parts | | Quantity |
| 2x2 Toolbar - 72" | | Qty: 5 |
| Head Mounting Brackets | | Qty: 6 |
| Toolbar Splice | | Qty: 2 |

16 & 18 Row Kits Available. Contact May Wes or your dealer for ordering information.

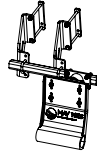
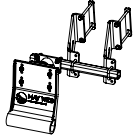
The 2x2 toolbar is required but can be purchased locally to reduce shipping cost. This is standard 2x2 square 3/16" - sidewall tubing available from most fabrication shops or metal supply companies.

REPLACEMENT PARTS FOR NEW HOLLAND 96C / 98C / 98D / 996 SERIES

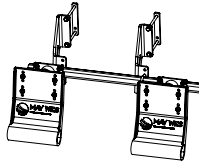
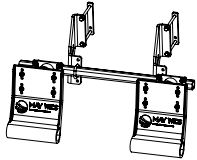
| | | | | |
|---|---|---|---|--|
| <p>Single Row Shoe Assembly 43102 \$ 428 ea</p> | <p>Single Center Row Shoe Assembly 43115 \$ 428 ea</p> | <p>12" Shoe 24100 \$ 148 ea</p> | <p>Toolbar Splice 41827 \$ 63 ea</p> | <p>Torsion Unit 42295 \$ 206 ea</p> |
| <p>Header Bracket 42450 \$ 309 ea</p> | <p>Left End Header Bracket 42452 \$ 247 ea</p> | <p>Right End Header Bracket 42465 \$ 247 ea</p> | <p>Center Header Bracket 42454 \$ 83 ea</p> | <p>Bent Pin & Clip (2 pack) 42384 \$ 12 pk</p> |
| <p>Toolbar Mount Bracket 43101 \$ 125 ea</p> | <p>Center Row Toolbar Mount Bracket 43111 \$ 125 ea</p> | <p>2x2 Toolbar 72" 41672 \$ 124 ea 102" 41673 \$ 181 ea</p> | <p>ORDER ONLINE 24/7</p> | |

G4 STALK STOMPERS

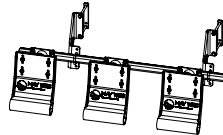
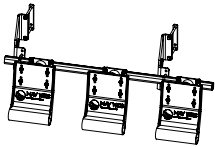
KITS FOR JOHN DEERE C-SERIES FITS MODELS: C6R / C8R / C12R / C12F / C16R / C18R



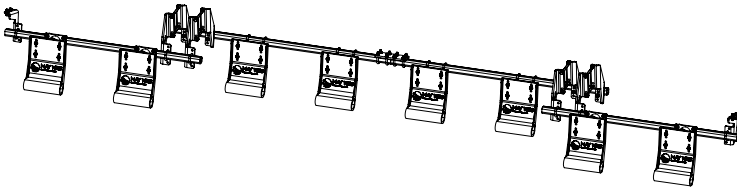
| PART NO | DESCRIPTION | RETAIL PRICE |
|--------------------------------|---------------------|-----------------|
| 84767 | 2 Row Kit | \$ 1957 |
| 84779 | Kit without Toolbar | \$ 1751 |
| Included Parts | | Quantity |
| 2x2 Toolbar - 72" | | Qty: 2 |
| Head Mounting Brackets - Outer | | Qty: 4 |
| Toolbar Splice | | N/A |
| End Support Kit | | N/A |



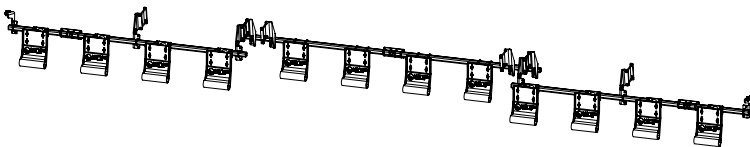
| PART NO | DESCRIPTION | RETAIL PRICE |
|--------------------------------|---------------------|-----------------|
| 84768 | 4 Row Kit | \$ 2472 |
| 84780 | Kit without Toolbar | \$ 2369 |
| Included Parts | | Quantity |
| 2x2 Toolbar - 72" | | Qty: 2 |
| Head Mounting Brackets - Outer | | Qty: 4 |
| Toolbar Splice | | N/A |
| End Support Kit | | N/A |



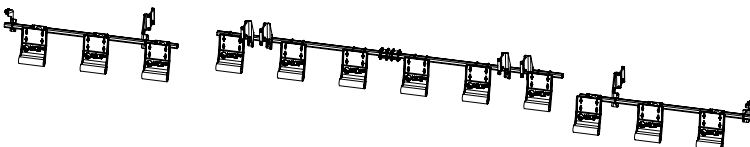
| PART NO | DESCRIPTION | RETAIL PRICE |
|--------------------------------|---------------------|-----------------|
| 84769 | 6 Row Kit | \$ 3168 |
| 84781 | Kit without Toolbar | \$ 2962 |
| Included Parts | | Quantity |
| 2x2 Toolbar - 102" | | Qty: 2 |
| Head Mounting Brackets - Outer | | Qty: 4 |
| Toolbar Splice | | N/A |
| End Support Kit | | N/A |



| PART NO | DESCRIPTION | RETAIL PRICE |
|--------------------------------|-----------------------|-----------------|
| 84771 | 8 Row Kit * | \$ 4017 |
| 84783 | Kit without Toolbar * | \$ 3734 |
| Included Parts | | Quantity |
| 2x2 Toolbar - 72" | | Qty: 2 |
| - 102" | | Qty: 2 |
| Head Mounting Brackets - Outer | | Qty: 4 |
| - Inner | | Qty: 4 |
| Toolbar Splice | | Qty: 1 |
| End Support Kit | | Qty: 1 |

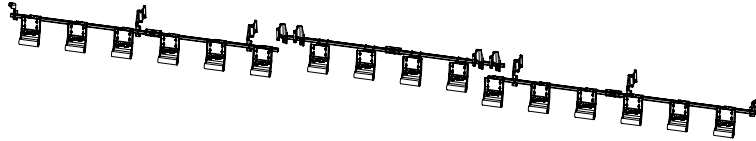


| PART NO | DESCRIPTION | RETAIL PRICE |
|--------------------------------|-----------------------|-----------------|
| 84772 | 12 Row Kit * | \$ 5408 |
| 84784 | Kit without Toolbar * | \$ 4996 |
| Included Parts | | Quantity |
| 2x2 Toolbar - 72" | | Qty: 3 |
| - 102" | | Qty: 2 |
| Head Mounting Brackets - Outer | | Qty: 4 |
| - Inner | | Qty: 4 |
| Toolbar Splice | | Qty: 3 |
| End Support Kit | | Qty: 1 |

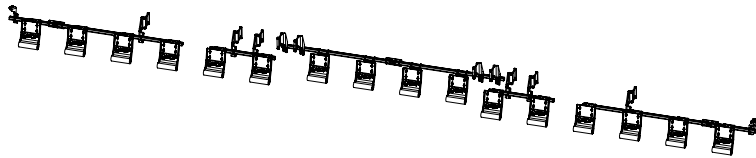


| PART NO | DESCRIPTION | RETAIL PRICE |
|--------------------------------|-------------------------------|-----------------|
| 84773 | 12 Row Kit for Folding Head * | \$ 5794 |
| 84785 | Kit without Toolbar * | \$ 5356 |
| Included Parts | | Quantity |
| 2x2 Toolbar - 102" | | Qty: 4 |
| Head Mounting Brackets - Outer | | Qty: 2 |
| - Inner | | Qty: 4 |
| Toolbar Splice | | Qty: 1 |
| End Support Kit | | Qty: 1 |

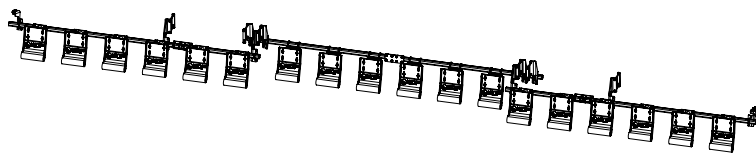
G4 STALK STOMPERS

KITS FOR JOHN DEERE C-SERIES
FITS MODELS: C6R / C8R / C12R / C12F / C16R / C18R


| PART NO | DESCRIPTION | RETAIL PRICE |
|--------------------------------|-----------------------|--------------|
| 84774 | 16 Row Kit * | \$ 7185 |
| 84786 | Kit without Toolbar * | \$ 6721 |
| Included Parts | | Quantity |
| 2x2 Toolbar - 102" | | Qty: 6 |
| Head Mounting Brackets - Outer | | Qty: 4 |
| - Inner | | Qty: 4 |
| Toolbar Splice | | Qty: 3 |
| End Support Kit | | Qty: 1 |



| PART NO | DESCRIPTION | RETAIL PRICE |
|--------------------------------|-------------------------------|--------------|
| 84775 | 16 Row Kit for Folding Head * | \$ 7751 |
| 84787 | Kit without Toolbar * | \$ 7288 |
| Included Parts | | Quantity |
| 2x2 Toolbar - 102" | | Qty: 5 |
| Head Mounting Brackets - Outer | | Qty: 6 |
| - Inner | | Qty: 4 |
| Toolbar Splice | | Qty: 3 |
| End Support Kit | | Qty: 1 |

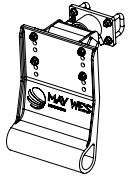


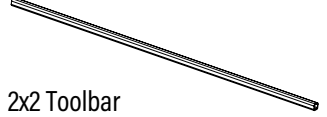
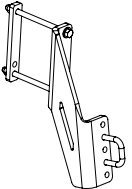
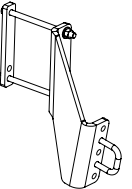
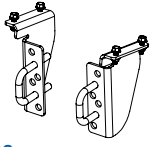
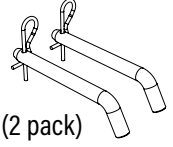
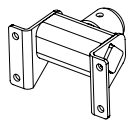
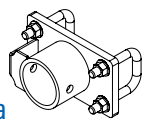
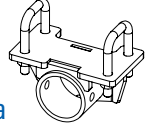
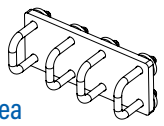


| PART NO | DESCRIPTION | RETAIL PRICE |
|--------------------------------|-----------------------|--------------|
| 84776 | 18 Row Kit * | \$ 7803 |
| 84788 | Kit without Toolbar * | \$ 7313 |
| Included Parts | | Quantity |
| 2x2 Toolbar - 102" | | Qty: 5 |
| Head Mounting Brackets - Outer | | Qty: 4 |
| - Inner | | Qty: 4 |
| Toolbar Splice | | Qty: 3 |
| End Support Kit | | Qty: 1 |

Kit for 18 Row Folding Head also available. Contact your dealer or May Wes to order.

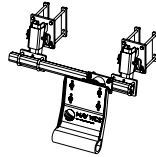
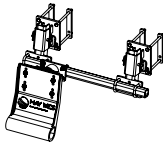
*Due to variation of implement configurations, row coverage under the feederhouse may not be applicable.
 The 2x2 toolbar is required but can be purchased locally to reduce shipping cost.
 This is standard 2x2 square 3/16" - sidewall tubing available from most fabrication shops or metal supply companies.

REPLACEMENT PARTS FOR JOHN DEERE C-SERIES

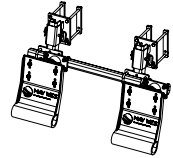
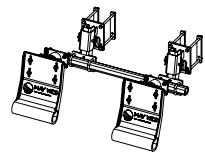
| | | | |
|---|--|---|---|
|  <p>Single Row Shoe Assembly 43102 \$ 428 ea</p> |  <p>Single Center Row Shoe Assembly 43115 \$ 428 ea</p> |  <p>12" Shoe 24100 \$ 148 ea</p> |  <p>2x2 Toolbar 72" 41672 \$ 124 ea 102" 41673 \$ 181 ea</p> |
|  <p>Outer Header Bracket 43170 \$ 161 ea</p> |  <p>Inner Header Bracket 43169 \$ 161 ea</p> |  <p>End Support Kit 42738 \$ 206 ea</p> |  <p>Bent Pin & Clip (2 pack) 42384 \$ 12 pk</p> |
|  <p>Torsion Unit 42295 \$ 206 ea</p> |  <p>Toolbar Mount Bracket 43101 \$ 125 ea</p> |  <p>Center Row Toolbar Mount Bracket 43111 \$ 125 ea</p> |  <p>Toolbar Splice 41827 \$ 63 ea</p> |

G4 STALK STOMPERS

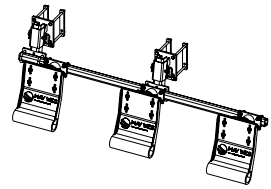
KITS FOR JOHN DEERE 600 / 700 SERIES FITS MODELS: 606 / 706, 608 / 708, 612 / 712, 616 / 716, 618 / 718



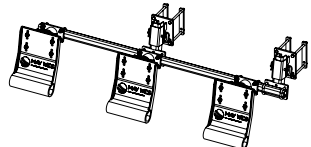
| PART NO | DESCRIPTION | RETAIL PRICE |
|------------------------|---------------------|--------------|
| 84624 | 2 Row Kit | \$ 1803 |
| 84631 | Kit without Toolbar | \$ 1597 |
| Included Parts | | Quantity |
| 2x2 Toolbar - 72" | | Qty: 2 |
| Head Mounting Brackets | | Qty: 4 |
| Toolbar Splice | | N/A |
| End Support Kit | | OPTIONAL |



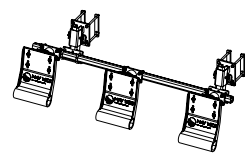
| PART NO | DESCRIPTION | RETAIL PRICE |
|------------------------|---------------------|--------------|
| 84625 | 4 Row Kit | \$ 2369 |
| 84632 | Kit without Toolbar | \$ 2112 |
| Included Parts | | Quantity |
| 2x2 Toolbar - 72" | | Qty: 2 |
| Head Mounting Brackets | | Qty: 4 |
| Toolbar Splice | | N/A |
| End Support Kit | | OPTIONAL |



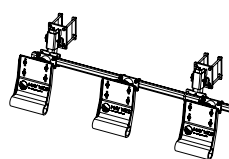
6 & 8 Row Heads



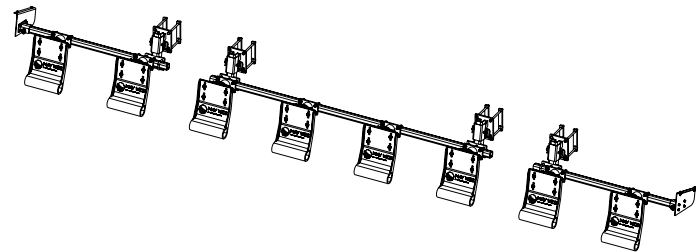
| PART NO | DESCRIPTION | RETAIL PRICE |
|------------------------|---------------------------------|--------------|
| 84626 | 6 Row Kit for 6 & 8 Row Heads * | \$ 3142 |
| 84633 | Kit without Toolbar * | \$ 2962 |
| Included Parts | | Quantity |
| 2x2 Toolbar - 102" | | Qty: 2 |
| Head Mounting Brackets | | Qty: 4 |
| Toolbar Splice | | N/A |
| End Support Kit | | OPTIONAL |



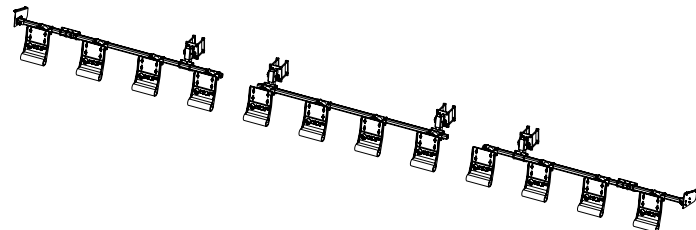
8 Row Head & Larger



| PART NO | DESCRIPTION | RETAIL PRICE |
|------------------------|---------------------------------------|--------------|
| 84626 | 6 Row Kit for 8 Row or Larger Heads * | \$ 3142 |
| 84633 | Kit without Toolbar * | \$ 2962 |
| Included Parts | | Quantity |
| 2x2 Toolbar - 102" | | Qty: 2 |
| Head Mounting Brackets | | Qty: 4 |
| Toolbar Splice | | N/A |
| End Support Kit | | OPTIONAL |

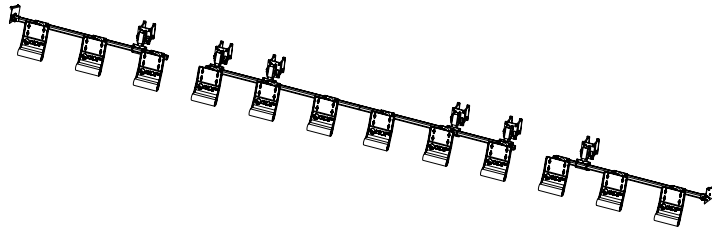


| PART NO | DESCRIPTION | RETAIL PRICE |
|------------------------|-----------------------|--------------|
| 84627 | 8 Row Kit * | \$ 3914 |
| 84634 | Kit without Toolbar * | \$ 3683 |
| Included Parts | | Quantity |
| 2x2 Toolbar - 102" | | Qty: 3 |
| Head Mounting Brackets | | Qty: 4 |
| Toolbar Splice | | Qty: 2 |
| End Support Kit | | Qty: 1 |

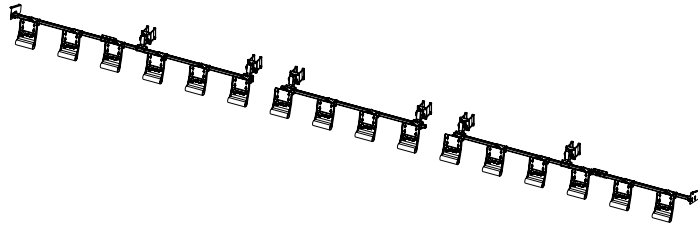


| PART NO | DESCRIPTION | RETAIL PRICE |
|------------------------|-----------------------|--------------|
| 84628 | 12 Row Kit * | \$ 5356 |
| 84635 | Kit without Toolbar * | \$ 4816 |
| Included Parts | | Quantity |
| 2x2 Toolbar - 72" | | Qty: 2 |
| - 102" | | Qty: 3 |
| Head Mounting Brackets | | Qty: 4 |
| Toolbar Splice | | Qty: 2 |
| End Support Kit | | Qty: 1 |

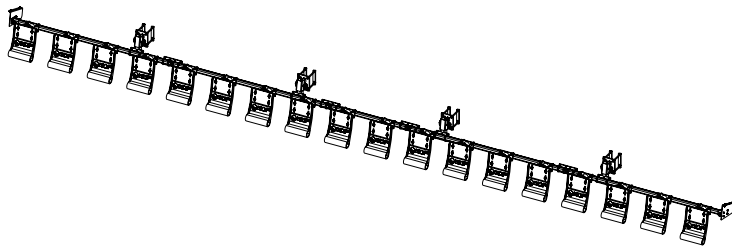
G4 STALK STOMPERS

KITS FOR JOHN DEERE 600 / 700 SERIES
 FITS MODELS: 606 / 706, 608 / 708, 612 / 712, 616 / 716, 618 / 718


| PART NO | DESCRIPTION | RETAIL PRICE |
|------------------------|-------------------------------|--------------|
| 84870 | 12 Row Kit for Folding Head * | \$ 5768 |
| 84871 | Kit without Toolbar * | \$ 5253 |
| Included Parts | | Quantity |
| 2x2 Toolbar - 72" | | Qty: 2 |
| - 102" | | Qty: 3 |
| Head Mounting Brackets | | Qty: 6 |
| Toolbar Splice | | Qty: 2 |
| End Support Kit | | Qty: 1 |



| PART NO | DESCRIPTION | RETAIL PRICE |
|------------------------|-----------------------|--------------|
| 84629 | 16 Row Kit * | \$ 6644 |
| 84636 | Kit without Toolbar * | \$ 6026 |
| Included Parts | | Quantity |
| 2x2 Toolbar - 102" | | Qty: 5 |
| Head Mounting Brackets | | Qty: 6 |
| Toolbar Splice | | Qty: 2 |
| End Support Kit | | Qty: 1 |



| PART NO | DESCRIPTION | RETAIL PRICE |
|------------------------|---------------------|--------------|
| 84630 | 18 Row Kit | \$ 6979 |
| 84637 | Kit without Toolbar | \$ 6412 |
| Included Parts | | Quantity |
| 2x2 Toolbar - 72" | | Qty: 2 |
| - 102" | | Qty: 3 |
| Head Mounting Brackets | | Qty: 4 |
| Toolbar Splice | | Qty: 2 |
| End Support Kit | | Qty: 1 |

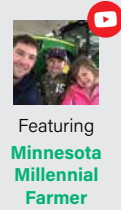
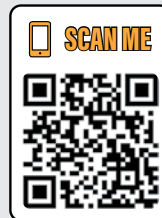
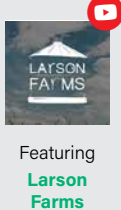
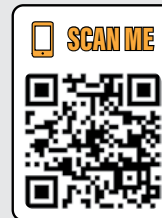
*Due to variation of implement configurations, row coverage under the feederhouse may not be applicable.

The 2x2 toolbar is required but can be purchased locally to reduce shipping cost.

This is standard 2x2 square 3/16" - sidewall tubing available from most fabrication shops or metal supply companies.

REPLACEMENT PARTS FOR JOHN DEERE 600 / 700 SERIES

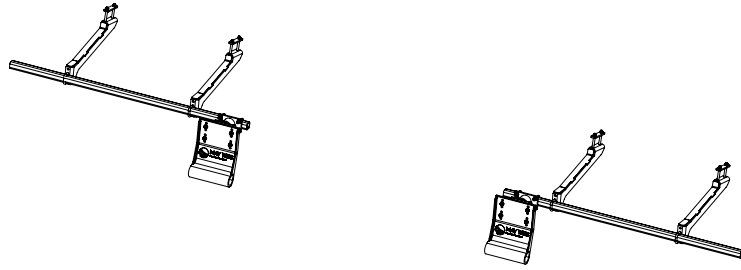
| | | |
|---|--|---|
| <p>Single Row Shoe Assembly 43102 \$ 428 ea</p> | <p>12" Shoe 24100 \$ 148 ea</p> | <p>2x2 Toolbar - 72" 41672 \$ 124 ea 2x2 Toolbar - 102" 41673 \$ 181 ea</p> |
| <p>Toolbar Mount Bracket 43101 \$ 125 ea</p> | <p>Head Mounting Bracket 41848 \$ 182 ea</p> | <p>Bent Pin & Clip (2 pack) 42384 \$ 12 pk</p> |
| <p>Vertical Bracket 41834 \$ 109 ea</p> | <p>End Support Kit 42534 \$ 187 ea</p> | <p>Toolbar Splice 41827 \$ 63 ea</p> |
| | | <p>Torsion Unit 42295 \$ 206 ea</p> |

INSTALLATION VIDEO
 John Deere 600/700 Series

INSTALLATION VIDEO
 John Deere 712FC
 12-Row Folding Head


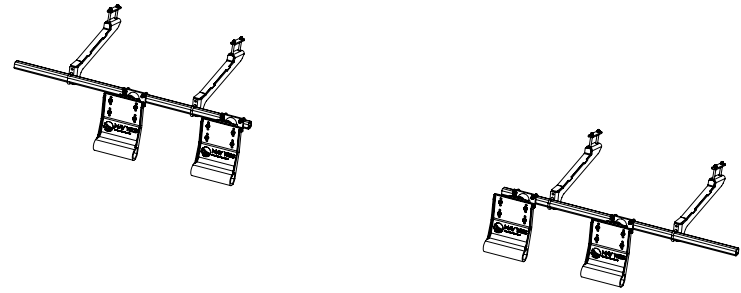
Scan the QR codes with your smartphone to watch on YouTube.

G4 STALK STOMPERS

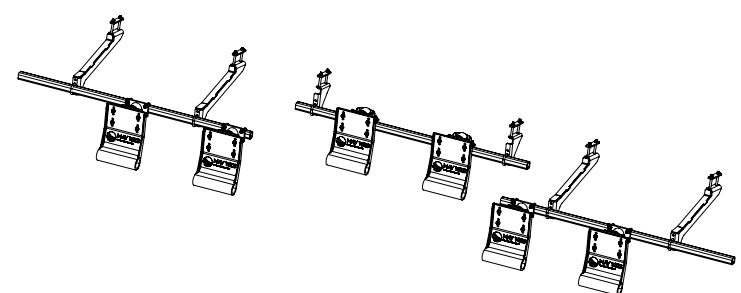
KITS FOR JOHN DEERE 90 / 40 SERIES



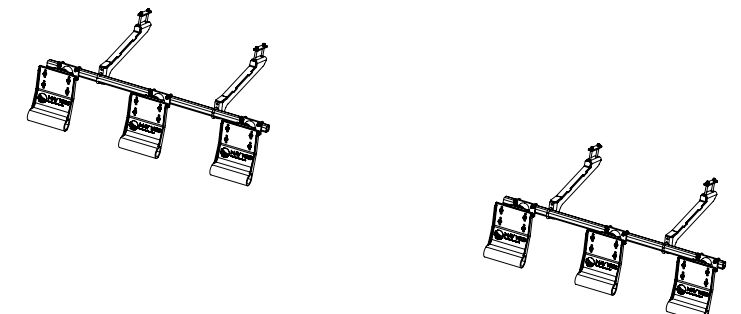
| PART NO | DESCRIPTION | RETAIL PRICE |
|------------------------|-----------------------------|-----------------|
| 84965 | 2 Row Kit (2 Outer Rows) | \$ 1751 |
| 84973 | Kit without Toolbar | \$ 1545 |
| Included Parts | | Quantity |
| 2x2 Toolbar - 72" | | Qty: 2 |
| Head Mounting Brackets | | Qty: 4 |
| Toolbar Splice | | N/A |



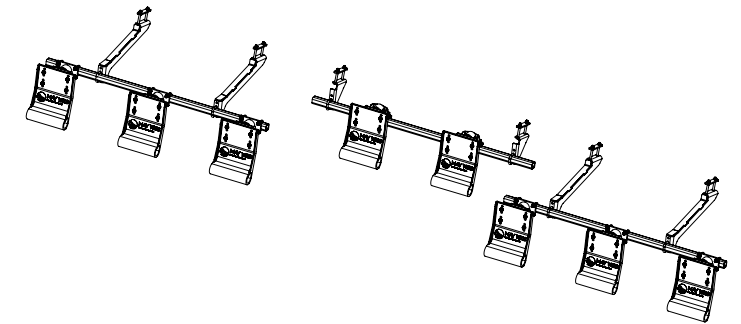
| PART NO | DESCRIPTION | RETAIL PRICE |
|------------------------|-----------------------------|-----------------|
| 84966 | 4 Row Kit (4 Outer Rows) | \$ 2421 |
| 84974 | Kit without Toolbar | \$ 2215 |
| Included Parts | | Quantity |
| 2x2 Toolbar - 72" | | Qty: 2 |
| Head Mounting Brackets | | Qty: 4 |
| Toolbar Splice | | N/A |



| PART NO | DESCRIPTION | RETAIL PRICE |
|------------------------|--|-----------------|
| 84968 | 6 Row Kit (4 Outer Rows & 2 Inner Rows) | \$ 3348 |
| 84976 | Kit without Toolbar | \$ 3090 |
| Included Parts | | Quantity |
| 2x2 Toolbar - 72" | | Qty: 3 |
| Head Mounting Brackets | | Qty: 6 |
| Toolbar Splice | | N/A |



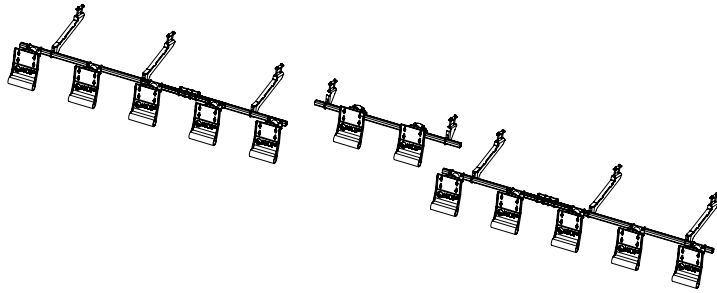
| PART NO | DESCRIPTION | RETAIL PRICE |
|------------------------|-----------------------------|-----------------|
| 84969 | 6 Row Kit (6 Outer Rows) | \$ 3245 |
| 84977 | Kit without Toolbar | \$ 3039 |
| Included Parts | | Quantity |
| 2x2 Toolbar - 72" | | Qty: 2 |
| Head Mounting Brackets | | Qty: 4 |
| Toolbar Splice | | N/A |



| PART NO | DESCRIPTION | RETAIL PRICE |
|------------------------|--|-----------------|
| 84970 | 8 Row Kit (6 Outer Rows & 2 Inner Rows) | \$ 3708 |
| 84978 | Kit without Toolbar | \$ 3425 |
| Included Parts | | Quantity |
| 2x2 Toolbar - 72" | | Qty: 3 |
| Head Mounting Brackets | | Qty: 6 |
| Toolbar Splice | | N/A |

G4 STALK STOMPERS

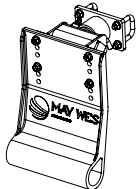


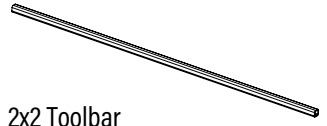
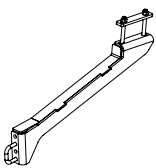
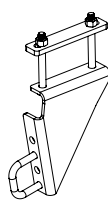
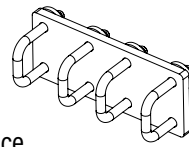
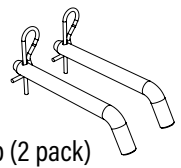
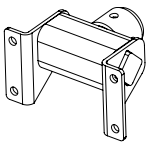
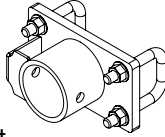
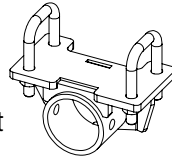

KITS FOR JOHN DEERE 90 / 40 SERIES



| PART NO | DESCRIPTION | RETAIL PRICE |
|------------------------|--|--------------|
| 84971 | 12 Row Kit (10 Outer Rows & 2 Inner Rows) | \$ 5253 |
| 84979 | Kit without Toolbar | \$ 4790 |
| Included Parts | | Quantity |
| 2x2 Toolbar - 72" | | Qty: 5 |
| Head Mounting Brackets | | Qty: 8 |
| Toolbar Splice | | Qty: 2 |

The 2x2 toolbar is required but can be purchased locally to reduce shipping cost. This is standard 2x2 square 3/16" - sidewall tubing available from most fabrication shops or metal supply companies.

REPLACEMENT PARTS FOR JOHN DEERE 90 / 40 SERIES

| | | | |
|---|--|--|---|
| <p>Single Row Shoe Assembly 43102 \$ 428 ea</p>  | <p>Single Center Row Shoe Assembly 43115 \$ 428 ea</p>  | <p>12" Shoe 24100 \$ 148 ea</p>  | <p>2x2 Toolbar 72" 41672 \$ 124 ea 102" 41673 \$ 181 ea</p>  |
| <p>Outer Header Bracket 42471 \$ 247 ea</p>  | <p>Inner Header Bracket 42475 \$ 83 ea</p>  | <p>Toolbar Splice 41827 \$ 63 ea</p>  | <p>Bent Pin & Clip (2 pack) 42384 \$ 12 pk</p>  |
| <p>Torsion Unit 42295 \$ 206 ea</p>  | <p>Toolbar Mount Bracket 43101 \$ 125 ea</p>  | <p>Center Row Toolbar Mount Bracket 43111 \$ 125 ea</p>  | <p>ORDER ONLINE 24/7</p>  |



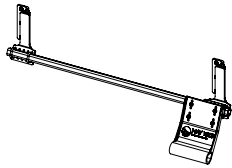
GVL POLY CORN SNOOTS
page 101



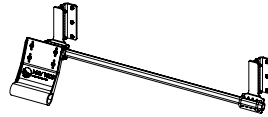
SNOUT SAVERS & SNOOT BOOTS
PREVENT DAMAGE TO POLY CORN SNOOTS
page 107

G4 STALK STOMPERS

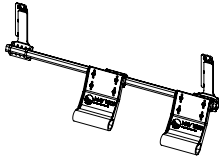
KITS FOR DRAGO GT SERIES



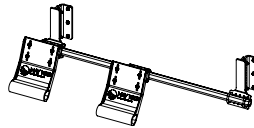
⚠ GT 6-Row heads require Header Bracket not included in 2-Row and 4-Row kits. Order separately.



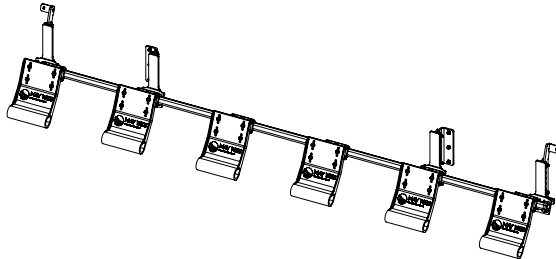
| PART NO | DESCRIPTION | RETAIL PRICE |
|------------------------|-----------------------|-----------------|
| 84639 | 2 Row Kit ⚠ | \$ 1803 |
| 84646 | Kit without Toolbar ⚠ | \$ 1623 |
| Included Parts | | Quantity |
| 2x2 Toolbar - 72" | | Qty: 2 |
| Head Mounting Brackets | | Qty: 4 |
| Toolbar Splice | | N/A |



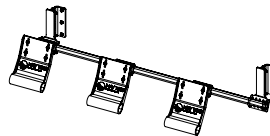
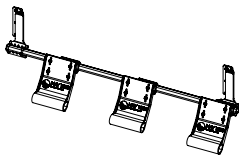
⚠ GT 6-Row heads require Header Bracket not included in 2-Row and 4-Row kits. Order separately.



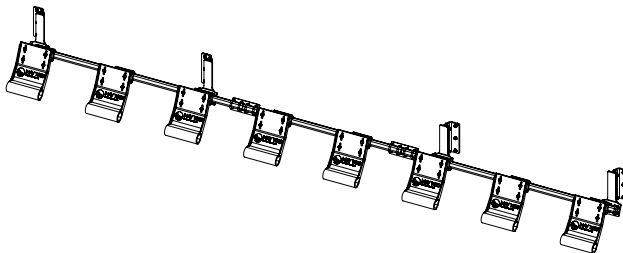
| PART NO | DESCRIPTION | RETAIL PRICE |
|------------------------|-----------------------|-----------------|
| 84640 | 4 Row Kit ⚠ | \$ 2369 |
| 84647 | Kit without Toolbar ⚠ | \$ 2138 |
| Included Parts | | Quantity |
| 2x2 Toolbar - 72" | | Qty: 2 |
| Head Mounting Brackets | | Qty: 4 |
| Toolbar Splice | | N/A |



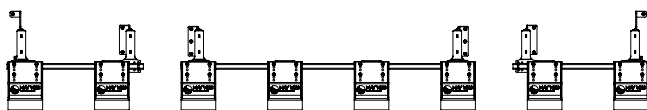
| PART NO | DESCRIPTION | RETAIL PRICE |
|---------------------------------|---------------------|-----------------|
| 84804 | 6 Row Kit | \$ 3245 |
| 84805 | Kit without Toolbar | \$ 2987 |
| Included Parts | | Quantity |
| 2x2 Toolbar - 102" | | Qty: 2 |
| Head Mounting Brackets | | Qty: 2 |
| GT 6-Row Head Mounting Brackets | | Qty: 2 |
| Toolbar Splice | | N/A |



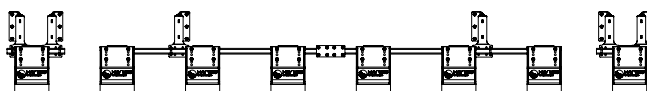
| PART NO | DESCRIPTION | RETAIL PRICE |
|------------------------|-------------------------------------|-----------------|
| 84641 | 6 Row Kit for 8 Row or Larger Heads | \$ 3245 |
| 84648 | Kit without Toolbar | \$ 2987 |
| Included Parts | | Quantity |
| 2x2 Toolbar - 102" | | Qty: 2 |
| Head Mounting Brackets | | Qty: 4 |
| Toolbar Splice | | N/A |



| PART NO | DESCRIPTION | RETAIL PRICE |
|------------------------|-----------------------|-----------------|
| 84642 | 8 Row Kit * | \$ 3966 |
| 84649 | Kit without Toolbar * | \$ 3708 |
| Included Parts | | Quantity |
| 2x2 Toolbar - 102" | | Qty: 3 |
| Head Mounting Brackets | | Qty: 4 |
| Toolbar Splice | | Qty: 2 |



2-4-2 Layout

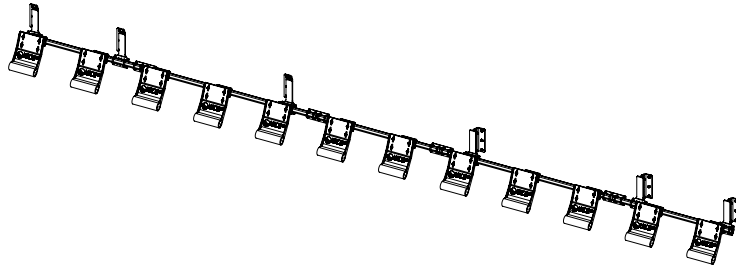


1-6-1 Layout

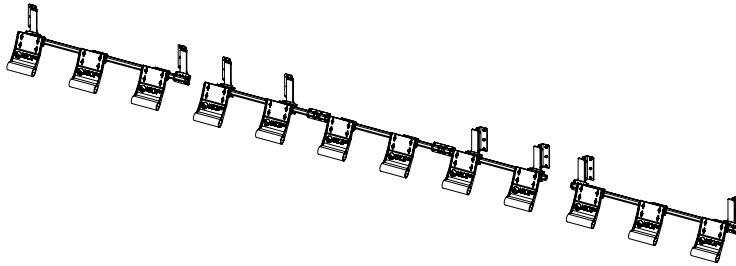
| PART NO | DESCRIPTION | RETAIL PRICE |
|------------------------|--------------------------------------|-----------------|
| 84802 | 8 Row Kit for Folding Head (2-4-2) * | \$ 4172 |
| 84803 | Kit without Toolbar (2-4-2) * | \$ 3914 |
| 84831 | 8 Row Kit for Folding Head (1-6-1) * | \$ 4172 |
| 84832 | Kit without Toolbar (1-6-1) * | \$ 3914 |
| Included Parts | | Quantity |
| 2x2 Toolbar - 72" | | Qty: 2 |
| - 102" | | Qty: 1 |
| Head Mounting Brackets | | Qty: 6 |
| Toolbar Splice | | Qty: 1 |

G4 STALK STOMPERS

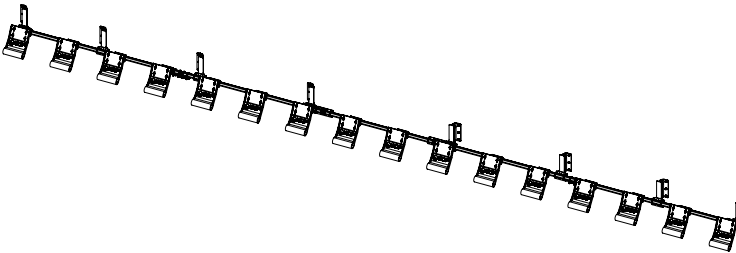
KITS FOR DRAGO GT SERIES



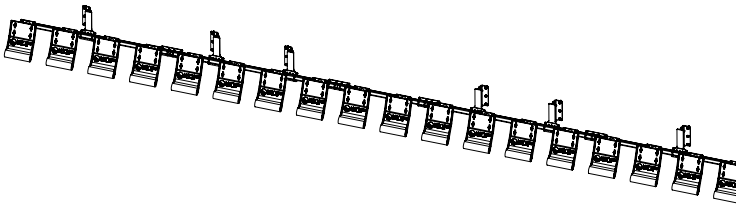
| PART NO | DESCRIPTION | RETAIL PRICE |
|------------------------|-----------------------|--------------|
| 84643 | 12 Row Kit * | \$ 5305 |
| 84650 | Kit without Toolbar * | \$ 4867 |
| Included Parts | | Quantity |
| 2x2 Toolbar - 72" | | Qty: 2 |
| - 102" | | Qty: 3 |
| Head Mounting Brackets | | Qty: 6 |
| Toolbar Splice | | Qty: 4 |



| PART NO | DESCRIPTION | RETAIL PRICE |
|------------------------|-------------------------------|--------------|
| 84753 | 12 Row Kit for Folding Head * | \$ 5794 |
| 84754 | Kit without Toolbar * | \$ 5253 |
| Included Parts | | Quantity |
| 2x2 Toolbar - 72" | | Qty: 2 |
| - 102" | | Qty: 3 |
| Head Mounting Brackets | | Qty: 8 |
| Toolbar Splice | | Qty: 2 |



| PART NO | DESCRIPTION | RETAIL PRICE |
|------------------------|--|--------------|
| 84644 | 16 Row Kit for Rigid & Folding Heads * | \$ 6335 |
| 84651 | Kit without Toolbar * | \$ 5665 |
| Included Parts | | Quantity |
| 2x2 Toolbar - 102" | | Qty: 5 |
| Head Mounting Brackets | | Qty: 8 |
| Toolbar Splice | | Qty: 4 |



| PART NO | DESCRIPTION | RETAIL PRICE |
|------------------------|-----------------------|--------------|
| 84645 | 18 Row Kit * | \$ 6979 |
| 84652 | Kit without Toolbar * | \$ 6489 |
| Included Parts | | Quantity |
| 2x2 Toolbar - 72" | | Qty: 2 |
| - 102" | | Qty: 3 |
| Head Mounting Brackets | | Qty: 6 |
| Toolbar Splice | | Qty: 4 |

18 Row Folding Kits Available. Contact May Wes or your dealer for ordering information.

⚠ GT 6-Row heads require Header Bracket not included in 2-Row and 4-Row kits. Order separately if covering only 2 or 4 rows on a 6-Row head.

*Due to variation of implement configurations, row coverage under the feederhouse may not be applicable.

The 2x2 toolbar is required but can be purchased locally to reduce shipping cost.

This is standard 2x2 square 3/16" - sidewall tubing available from most fabrication shops or metal supply companies.

REPLACEMENT PARTS FOR DRAGO GT SERIES

| | | | |
|---|--|---|---|
| <p>Single Row Shoe Assembly 43102 \$ 428 ea</p> | <p>12" Shoe 24100 \$ 148 ea</p> | <p>Toolbar Mount Bracket 43101 \$ 125 ea</p> | <p>2x2 Toolbar 72" 41672 \$ 124 ea 102" 41673 \$ 181 ea</p> |
| <p>Torsion Unit 42295 \$ 206 ea</p> | <p>Head Mounting Bracket 42282 \$ 232 ea</p> | <p>GT 6-Row Header Brackets ⚠ 42420 \$ 315 pr</p> | <p>Toolbar Splice 41827 \$ 63 ea</p> |

INSTALLATION VIDEO
Drago GT

SCAN ME

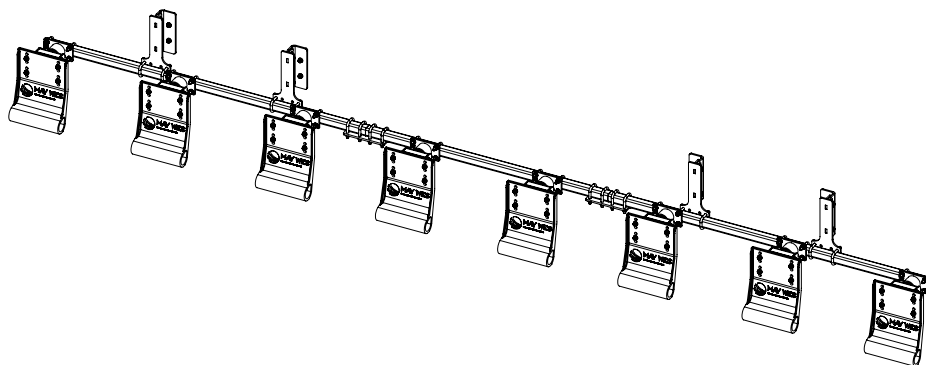


Scan the QR code with your smartphone to watch on YouTube.

⚠ GT 6-Row heads require Header Bracket not included in 2-Row and 4-Row kits. Order separately if covering only 2 or 4 rows on a 6-Row head.

G4 STALK STOMPERS

KITS FOR DRAGO SERIES I & II



⚠ Series II 6-Row heads require below Offset Bracket not included in the kit. (Also applicable if covering only 2 or 4 rows on a 6-Row head.)

TOOLBAR ASSEMBLY KITS

| Number of Rows | Kit Part No | Retail Price | 2x2 Toolbar | Head Mounting Brackets | Toolbar Splice |
|--|-------------|--------------|----------------------------|------------------------|----------------|
| WITH TOOLBAR | | | | | |
| NOTE: Toolbar configuration based on 30" rows; kit will accommodate narrower rows. | | | | | |
| 2-Row ⚠ | 84653 | \$ 1700 | 72" (Qty 2) | Qty 4 ea | N/A |
| 4-Row ⚠ | 84654 | \$ 2189 | 72" (Qty 2) | Qty 4 ea | N/A |
| 6-Row * ⚠ | 84655 | \$ 3013 | 102" (Qty 2) | Qty 4 ea | N/A |
| 8-Row * | 84656 | \$ 3863 | 102" (Qty 3) | Qty 4 ea | Qty 2 ea |
| 12-Row * | 84657 | \$ 5073 | 102" (Qty 3) + 72" (Qty 2) | Qty 4 ea | Qty 2 ea |
| 12-Row Folding * | 84659 | \$ 5871 | 102" (Qty 1) + 72" (Qty 4) | Qty 8 ea | Qty 2 ea |
| 16-Row * | 84660 | \$ 6103 | 102" (Qty 5) | Qty 4 ea | Qty 4 ea |
| 18-Row * | 84661 | \$ 6979 | 102" (Qty 3) + 72" (Qty 2) | Qty 8 ea | Qty 4 ea |

WITHOUT TOOLBAR

The 2x2 toolbar is required but can be purchased locally to reduce shipping cost.

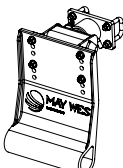


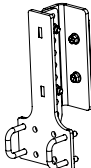
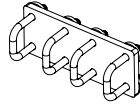
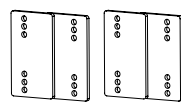
This is standard 2x2 square 3/16" - sidewall tubing available from most fabrication shops or metal supply companies.

| | | | | | |
|------------------|-------|---------|-----|----------|----------|
| 2-Row ⚠ | 84662 | \$ 1468 | N/A | Qty 4 ea | N/A |
| 4-Row ⚠ | 84663 | \$ 2009 | N/A | Qty 4 ea | N/A |
| 6-Row * ⚠ | 84664 | \$ 2859 | N/A | Qty 4 ea | N/A |
| 8-Row * | 84665 | \$ 3554 | N/A | Qty 4 ea | Qty 2 ea |
| 12-Row * | 84666 | \$ 4584 | N/A | Qty 4 ea | Qty 2 ea |
| 12-Row Folding * | 84668 | \$ 5382 | N/A | Qty 8 ea | Qty 2 ea |
| 16-Row * | 84669 | \$ 5614 | N/A | Qty 4 ea | Qty 2 ea |
| 18-Row * | 84670 | \$ 6438 | N/A | Qty 8 ea | Qty 2 ea |

*Due to variation of implement configurations, row coverage under the feederhouse may not be applicable.

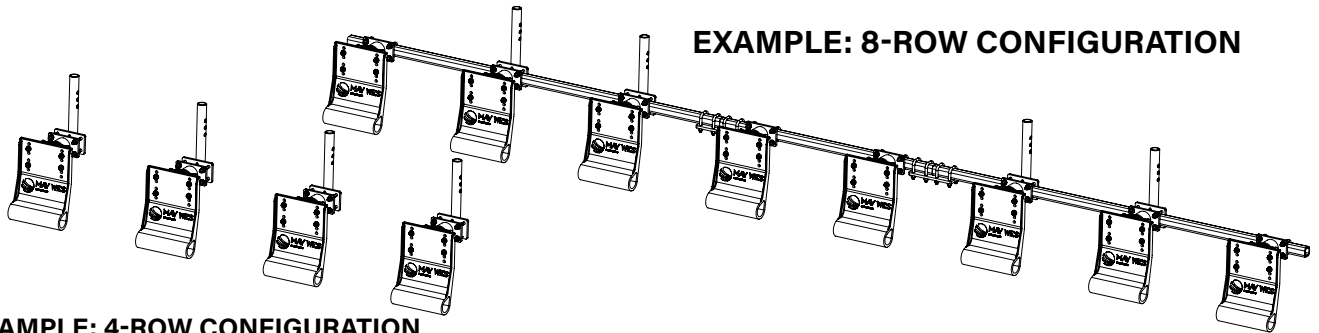
⚠ Series II 6 Row heads require below Offset Bracket not included in the kit. (Also applicable if covering only 2 or 4 rows on a 6 Row head.)

REPLACEMENT PARTS FOR DRAGO SERIES I & II

| | | | | | |
|---|--|---|---|---|--|
|  Single Row Assembly 43102 \$ 428 ea |  12" Shoe 24100 \$ 148 ea |  2x2 Toolbar 72" 41672 \$124 ea 102" 41673 \$181 ea <i>Lengths available</i> |  Head Mounting Bracket 42796 \$ 260 ea |  Toolbar Splice 41827 \$ 63 ea |  Series II 6 Row Offset Brackets ⚠ 41958 \$ 165 pr |
|---|--|---|---|---|--|

G4 STALK STOMPERS

KITS FOR HARVESTEC 5000 & 6000 SERIES



EXAMPLE: 4-ROW CONFIGURATION

(Mount directly to header brackets, applies to 2-row and 4-row kits.)

TOOLBAR ASSEMBLY KITS

| Number of Rows | Kit Part No | Retail Price | 2x2 Toolbar | Head Mounting Brackets | Toolbar Splice |
|---|-------------|--------------|----------------------------|------------------------|----------------|
| WITH TOOLBAR | | | | | |
| <i>NOTE: Toolbar configuration based on 30" rows; kit will accommodate narrower rows.</i> | | | | | |
| 2-Row * | 84721 | \$ 1082 | Not Required | Qty 2 ea | N/A |
| 4-Row * | 84722 | \$ 1932 | Not Required | Qty 4 ea | N/A |
| 6-Row ** | 84723 | \$ 2884 | 102" (Qty 2) | Qty 4 ea | N/A |
| 8-Row ** | 84724 | \$ 3863 | 102" (Qty 3) | Qty 4 ea | Qty 2 ea |
| 12-Row ** | 84725 | \$ 5047 | 102" (Qty 3) + 72" (Qty 2) | Qty 4 ea | Qty 4 ea |

WITHOUT TOOLBAR

The 2x2 toolbar is required but can be purchased locally to reduce shipping cost.

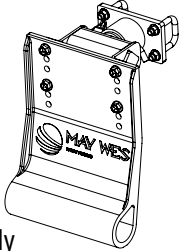
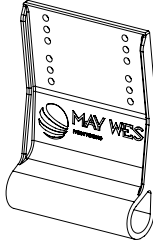

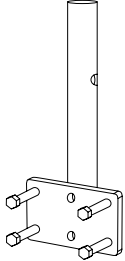
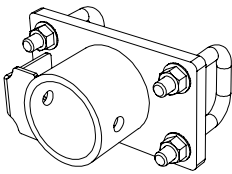
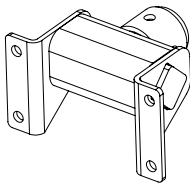
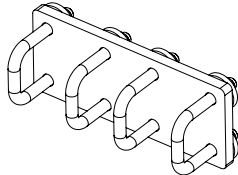
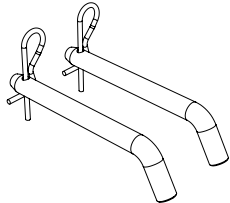
This is standard 2x2 square 3/16" – sidewall tubing available from most fabrication shops or metal supply companies.

| | | | | | |
|-----------|-------|---------|-----|----------|----------|
| 6-Row ** | 84726 | \$ 2678 | N/A | Qty 4 ea | N/A |
| 8-Row ** | 84727 | \$ 3528 | N/A | Qty 4 ea | Qty 2 ea |
| 12-Row ** | 84728 | \$ 4584 | N/A | Qty 4 ea | Qty 2 ea |

*Toolbar not required for 2-Row and 4-Row applications.

**Due to variation of implement configurations, row coverage under the feederhouse may not be applicable.

REPLACEMENT PARTS FOR HARVESTEC 5000 & 6000 SERIES

| | | | |
|---|---|--|--|
|  <p>Single Row Shoe Assembly 43102 \$ 428 ea</p> |  <p>12" Shoe 24100 \$ 148 ea</p> |  <p>2x2 Toolbar 72" 41672 \$ 124 ea 102" 41673 \$ 181 ea</p> |  <p>Head Mounting Bracket 41957 \$ 129 ea</p> |
|  <p>Toolbar Mount Bracket 43101 \$ 125 ea</p> |  <p>Torsion Unit 42295 \$ 206 ea</p> |  <p>Toolbar Splice 41827 \$ 63 ea</p> |  <p>Bent Pin & Clip (2 pack) 42384 \$ 12 pk</p> |

G4 STALK STOMPERS

KITS FOR MACDON C-SERIES



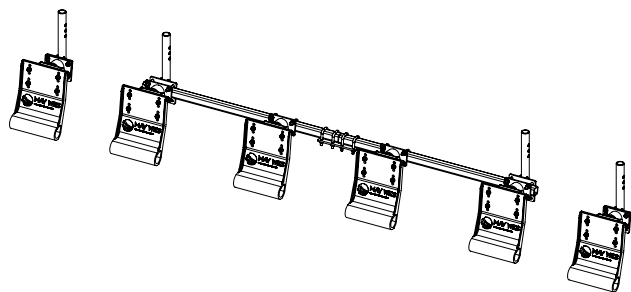
| PART NO | DESCRIPTION | RETAIL PRICE |
|---------|---|--------------|
| 84756 | 2 Row Kit <i>(No Toolbar Required)</i> | \$ 1082 |

| Included Parts | Quantity |
|------------------------|----------|
| 2x2 Toolbar | N/A |
| Head Mounting Brackets | Qty: 2 |
| Toolbar Splice | N/A |



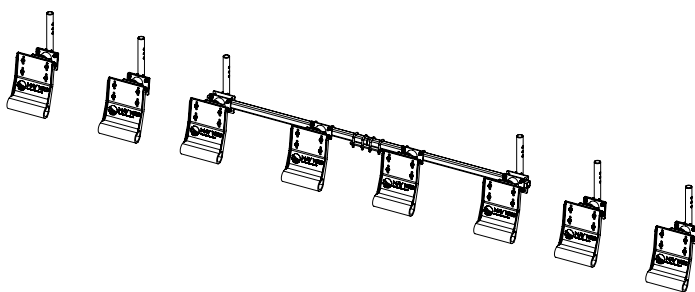
| PART NO | DESCRIPTION | RETAIL PRICE |
|---------|---|--------------|
| 84757 | 4 Row Kit <i>(No Toolbar Required)</i> | \$ 1932 |

| Included Parts | Quantity |
|------------------------|----------|
| 2x2 Toolbar | N/A |
| Head Mounting Brackets | Qty: 4 |
| Toolbar Splice | N/A |



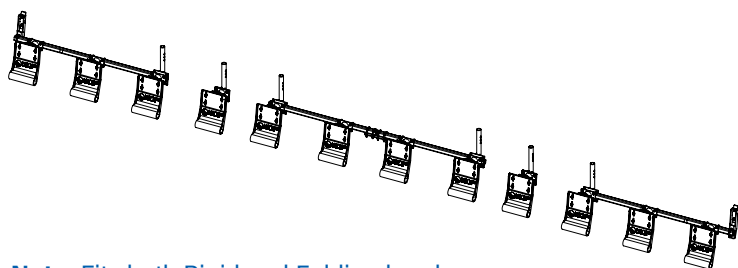
| PART NO | DESCRIPTION | RETAIL PRICE |
|---------|---------------------|--------------|
| 84758 | 6 Row Kit * | \$ 2884 |
| 84761 | Kit without Toolbar | \$ 2678 |

| Included Parts | Quantity |
|------------------------|----------|
| 2x2 Toolbar - 102" | Qty: 2 |
| Head Mounting Brackets | Qty: 4 |
| Toolbar Splice | N/A |



| PART NO | DESCRIPTION | RETAIL PRICE |
|---------|---------------------|--------------|
| 84759 | 8 Row Kit * | \$ 4017 |
| 84762 | Kit without Toolbar | \$ 3708 |

| Included Parts | Quantity |
|------------------------|----------|
| 2x2 Toolbar - 72" | Qty: 2 |
| Head Mounting Brackets | Qty: 6 |
| Toolbar Splice | Qty: 1 |



| PART NO | DESCRIPTION | RETAIL PRICE |
|---------|---------------------|--------------|
| 84760 | 12 Row Kit | \$ 5228 |
| 84763 | Kit without Toolbar | \$ 4738 |

| Included Parts | Quantity |
|------------------------|----------|
| 2x2 Toolbar - 72" | Qty: 2 |
| - 102" | Qty: 2 |
| Head Mounting Brackets | Qty: 6 |
| Toolbar Splice | Qty: 1 |
| End Support Kit | Qty: 1 |

Note: Fits both Rigid and Folding heads.

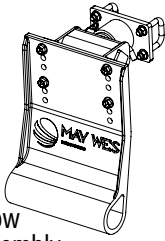
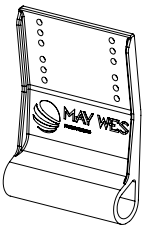
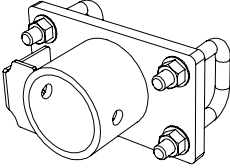
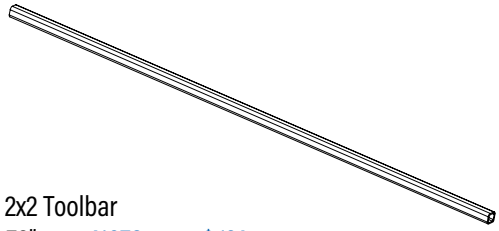
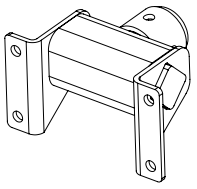
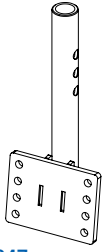
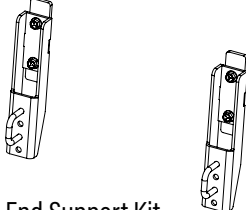
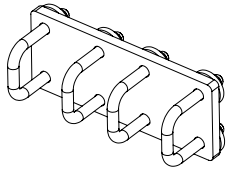
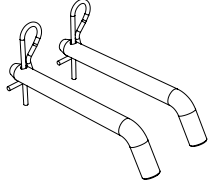
*Due to variation of implement configurations, row coverage under the feederhouse may not be applicable.

The 2x2 toolbar is required but can be purchased locally to reduce shipping cost.

This is standard 2x2 square 3/16" - sidewall tubing available from most fabrication shops or metal supply companies.

G4 STALK STOMPERS

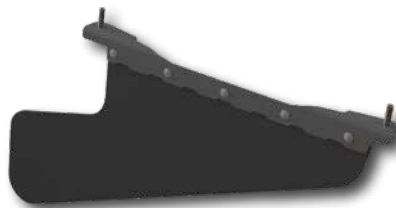
REPLACEMENT PARTS FOR MACDON C-SERIES

| | | | | |
|---|---|--|--|--|
|  <p>Single Row Shoe Assembly 43102 \$ 428 ea</p> |  <p>12" Shoe 24100 \$ 148 ea</p> |  <p>Toolbar Mount Bracket 43101 \$ 125 ea</p> |  <p>2x2 Toolbar 72" 41672 \$ 124 ea 102" 41673 \$ 181 ea</p> | |
|  <p>Torsion Unit 42295 \$ 206 ea</p> |  <p>Header Bracket 42727 \$ 247 ea</p> |  <p>End Support Kit 42735 \$ 253 pr</p> |  <p>Toolbar Splice 41827 \$ 63 ea</p> |  <p>Bent Pin & Clip (2 pack) 42384 \$ 12 pk</p> |

NEW PRODUCTS AVAILABLE NOW



Poly Pickup Bands
NEW May Wes Design -
More Bands Added
STARTING ON PAGE 42



ROW DIVIDER SHIELD
Full OEM Replacement
ON PAGE 110



LOCK N LUBE® AND LOCK N FLATE®
ON PAGE 145



SHARK TOOTH CLOSING WHEELS
ON PAGE 137

HAY MERGER STRIPPER BANDS & SKID SHOES FOR KUHN & OXBO

PAGE 46



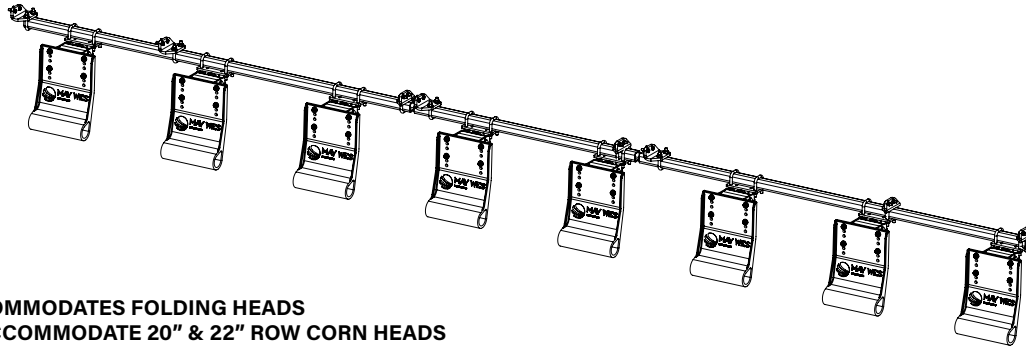
Linear Actuators
ON PAGE 148



Tank Fill Auger Wearshoe for John Deere X9
ON PAGE 129

G4 STALK STOMPERS

KITS FOR GERINGHOFF HORIZON SERIES



**NOTE: ACCOMMODATES FOLDING HEADS
MAY NOT ACCOMMODATE 20" & 22" ROW CORN HEADS**

TOOLBAR ASSEMBLY KITS

Number of Rows Kit Part No Retail Price 2x2 Toolbar Head Mounting Brackets Toolbar Splice

WITH TOOLBAR

NOTE: Toolbar configuration based on 30" rows; kit will accommodate narrower rows.

| Number of Rows | Kit Part No | Retail Price | 2x2 Toolbar | Head Mounting Brackets | Toolbar Splice |
|----------------|-------------|--------------|----------------------------|------------------------|----------------|
| 2-Row | 84685 | \$ 1314 | 72" (Qty 2) | Qty 2 ea | N/A |
| 4-Row | 84686 | \$ 1932 | 72" (Qty 2) | Qty 2 ea | N/A |
| 6-Row * | 84687 | \$ 2884 | 102" (Qty 2) | Qty 4 ea | N/A |
| 8-Row * | 84688 | \$ 3863 | 102" (Qty 2) + 72" (Qty 1) | Qty 4 ea | Optional |
| 12-Row * | 84689 | \$ 5047 | 102" (Qty 4) | Qty 6 ea | Optional |
| 16-Row * | 84690 | \$ 5974 | 102" (Qty 5) | Qty 6 ea | Optional |
| 18-Row * | 84691 | \$ 6824 | 102" (Qty 5) | Qty 8 ea | Optional |

WITHOUT TOOLBAR



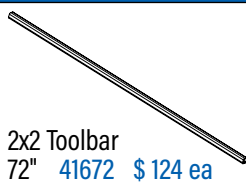
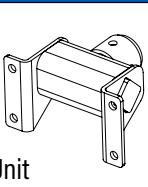
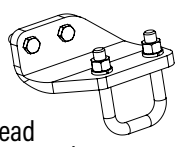
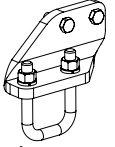
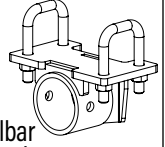
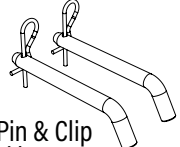
The 2x2 toolbar is required but can be purchased locally to reduce shipping cost.

This is standard 2x2 square 3/16" - sidewall tubing available from most fabrication shops or metal supply companies.

| Number of Rows | Kit Part No | Retail Price | 2x2 Toolbar | Head Mounting Brackets | Toolbar Splice |
|----------------|-------------|--------------|-------------|------------------------|----------------|
| 2-Row | 84692 | \$ 1133 | N/A | Qty 2 ea | N/A |
| 4-Row | 84693 | \$ 1726 | N/A | Qty 2 ea | N/A |
| 6-Row * | 84694 | \$ 2678 | N/A | Qty 4 ea | N/A |
| 8-Row * | 84695 | \$ 3554 | N/A | Qty 4 ea | Optional |
| 12-Row * | 84696 | \$ 4532 | N/A | Qty 6 ea | Optional |
| 16-Row * | 84697 | \$ 5434 | N/A | Qty 6 ea | Optional |
| 18-Row * | 84698 | \$ 6232 | N/A | Qty 8 ea | Optional |

*Due to variation of implement configurations, row coverage under the feederhouse may not be applicable.

REPLACEMENT PARTS FOR GERINGHOFF HORIZON SERIES

| | | | |
|--|---|---|--|
|  Single Row Shoe Assembly 43115 \$ 428 ea |  12" Shoe 24100 \$ 148 ea |  2x2 Toolbar 72" 41672 \$ 124 ea 102" 41673 \$ 181 ea |  Torsion Unit 42295 \$ 206 ea |
|  Right Head Mounting Bracket 42134 \$ 78 ea |  Left Head Mounting Bracket 42135 \$ 78 ea |  Offset Toolbar Mount Bracket 43111 \$ 125 ea |  Bent Pin & Clip (2 pack) 42384 \$ 12 pk |

INSTALLATION VIDEO

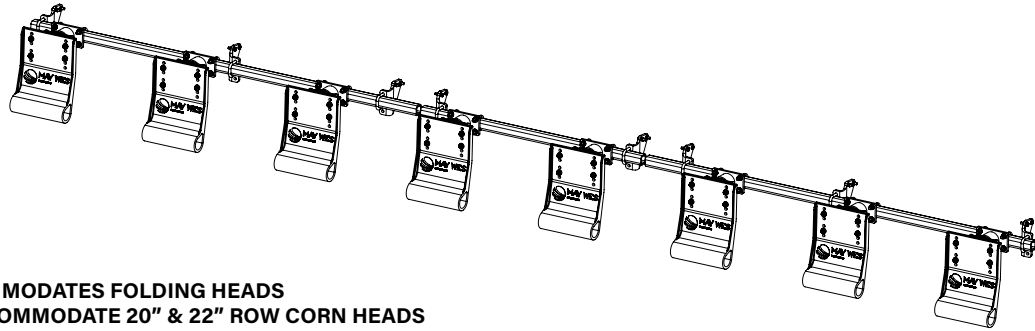
Geringhoff Horizon
12-Row Folding



Featuring
Larson Farms

G4 STALK STOMPERS

KITS FOR GERINGHOFF PATRIOT /NORTHSTAR /ROTA DISC SERIES



**NOTE: ACCOMMODATES FOLDING HEADS
MAY NOT ACCOMMODATE 20" & 22" ROW CORN HEADS**

TOOLBAR ASSEMBLY KITS

| Number of Rows | Kit Part No | Retail Price | 2x2 Toolbar | Head Mounting Brackets | Toolbar Splice | End Support Kit |
|----------------|-------------|--------------|-------------|------------------------|----------------|-----------------|
|----------------|-------------|--------------|-------------|------------------------|----------------|-----------------|

WITH TOOLBAR

NOTE: Toolbar configuration based on 30" rows; kit will accommodate narrower rows.

| | | | | | | |
|----------|-------|---------|----------------------------|--------|----------|----------|
| 2-Row | 84671 | \$ 1314 | 72" (Qty 2) | Qty 4 | N/A | Optional |
| 4-Row | 84672 | \$ 1932 | 72" (Qty 2) | Qty 4 | N/A | Optional |
| 6-Row * | 84673 | \$ 2884 | 102" (Qty 2) | Qty 8 | N/A | Optional |
| 8-Row * | 84674 | \$ 3863 | 102" (Qty 2) + 72" (Qty 1) | Qty 8 | Optional | Qty 1 |
| 12-Row * | 84675 | \$ 5047 | 102" (Qty 4) | Qty 12 | Optional | Optional |
| 16-Row * | 84676 | \$ 5974 | 102" (Qty 5) | Qty 12 | Optional | Optional |
| 18-Row * | 84677 | \$ 6901 | 102" (Qty 5) | Qty 16 | Optional | Optional |

WITHOUT TOOLBAR



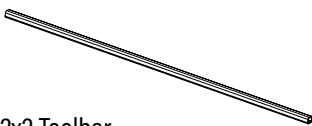
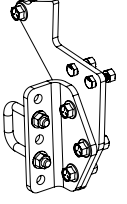
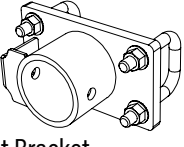
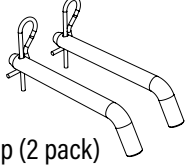
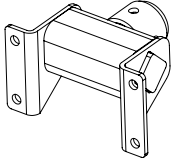
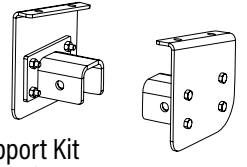
The 2x2 toolbar is required but can be purchased locally to reduce shipping cost.

This is standard 2x2 square 3/16" - sidewall tubing available from most fabrication shops or metal supply companies.

| | | | | | | |
|----------|-------|---------|-----|--------|----------|----------|
| 2-Row | 84678 | \$ 1133 | N/A | Qty 4 | N/A | Optional |
| 4-Row | 84679 | \$ 1726 | N/A | Qty 4 | N/A | Optional |
| 6-Row * | 84680 | \$ 2678 | N/A | Qty 8 | N/A | Optional |
| 8-Row * | 84681 | \$ 3554 | N/A | Qty 8 | Optional | Qty 1 |
| 12-Row * | 84682 | \$ 4532 | N/A | Qty 12 | Optional | Optional |
| 16-Row * | 84683 | \$ 5434 | N/A | Qty 12 | Optional | Optional |
| 18-Row * | 84684 | \$ 6361 | N/A | Qty 16 | Optional | Optional |

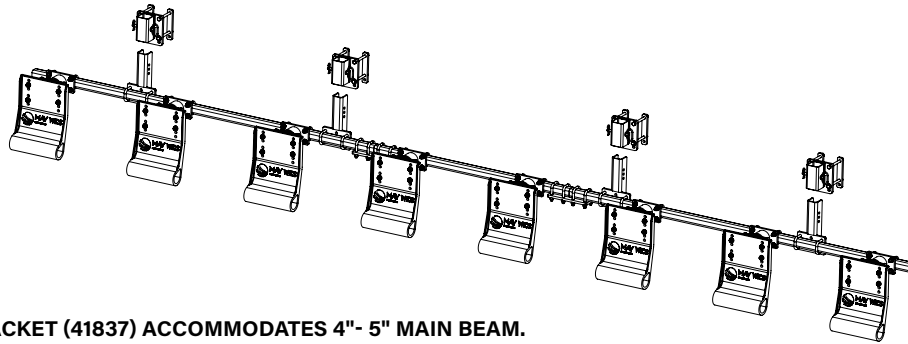
*Due to variation of implement configurations, row coverage under the feederhouse may not be applicable

REPLACEMENT KITS FOR GERINGHOFF PATRIOT /NORTHSTAR /ROTA DISC SERIES

| | | | |
|--|---|--|--|
|  Single Row Shoe Assembly 43102 \$ 428 ea |  12" Shoe 24100 \$ 148 ea |  2x2 Toolbar 72" 41672 \$ 124 ea 102" 41673 \$ 181 ea |  Head Mounting Bracket Assembly 42375 \$ 109 ea |
|  Toolbar Mount Bracket 43101 \$ 125 ea |  Bent Pin & Clip (2 pack) 42384 \$ 12 pk |  Torsion Unit 42295 \$ 206 ea |  End Support Kit 42290 \$ 206 pr |

G4 STALK STOMPERS

KITS FOR LEXION



NOTE: HEADER BRACKET (41837) ACCOMMODATES 4"- 5" MAIN BEAM.

TOOLBAR ASSEMBLY KITS

| Number of Rows | Kit Part No | Retail Price | 2x2 Toolbar | Head Mounting Brackets | Toolbar Splice |
|----------------|-------------|--------------|-------------|------------------------|----------------|
|----------------|-------------|--------------|-------------|------------------------|----------------|

WITH TOOLBAR

NOTE: Toolbar configuration based on 30" rows; kit will accommodate narrower rows.

| | | | | | |
|----------|-------|---------|----------------------------|----------|----------|
| 2-Row | 84699 | \$ 1803 | 72" (Qty 2) | Qty 4 ea | N/A |
| 4-Row | 84700 | \$ 2369 | 72" (Qty 2) | Qty 4 ea | N/A |
| 6-Row * | 84701 | \$ 3142 | 102" (Qty 2) | Qty 4 ea | N/A |
| 8-Row * | 84702 | \$ 3966 | 102" (Qty 3) | Qty 4 ea | Qty 2 ea |
| 12-Row * | 84703 | \$ 5176 | 102" (Qty 3) + 72" (Qty 2) | Qty 4 ea | Qty 4 ea |
| 16-Row * | 84704 | \$ 6103 | 102" (Qty 5) | Qty 4 ea | Qty 4 ea |

WITHOUT TOOLBAR

The 2x2 toolbar is required but can be purchased locally to reduce shipping cost.

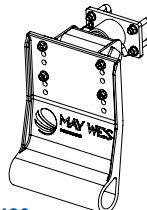
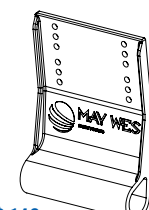
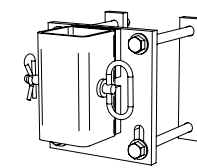
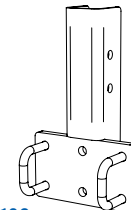
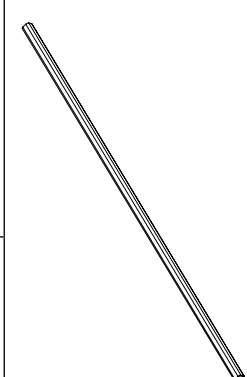
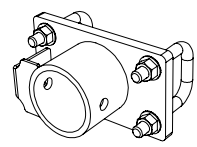
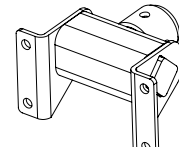
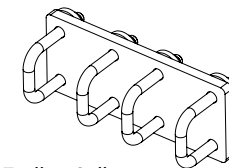
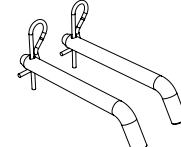
This is standard 2x2 square 3/16" - sidewall tubing available from most fabrication shops or metal supply companies.

| | | | | | |
|----------|-------|---------|-----|----------|----------|
| 2-Row | 84705 | \$ 1597 | N/A | Qty 4 ea | N/A |
| 4-Row | 84706 | \$ 2112 | N/A | Qty 4 ea | N/A |
| 6-Row * | 84707 | \$ 2962 | N/A | Qty 4 ea | N/A |
| 8-Row * | 84708 | \$ 3657 | N/A | Qty 4 ea | Qty 2 ea |
| 12-Row * | 84709 | \$ 4713 | N/A | Qty 4 ea | Qty 2 ea |
| 16-Row * | 84710 | \$ 5562 | N/A | Qty 4 ea | Qty 2 ea |

*Due to variation of implement configurations, row coverage under the feederhouse may not be applicable.

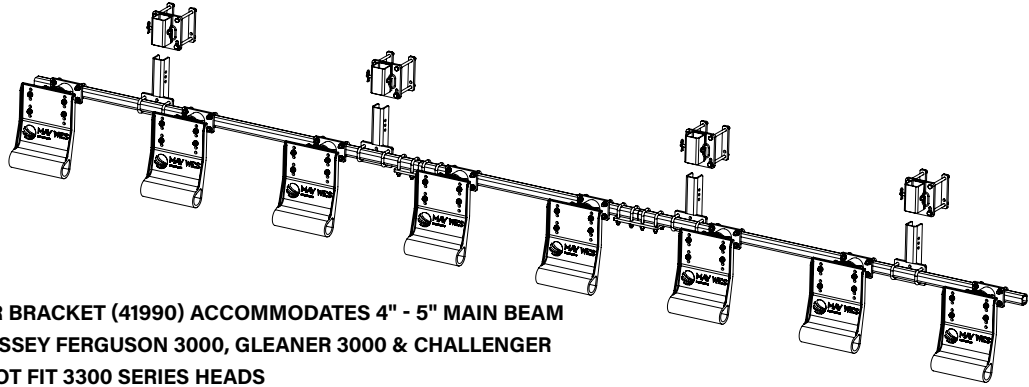
Kits are NOT compatible with Claas headers.

REPLACEMENT PARTS FOR LEXION

| | | | | |
|--|--|---|--|---|
|  Single Row Shoe Assembly 43102 \$ 428 ea |  12" Shoe 24100 \$ 148 ea |  Head Mounting Bracket 41837 \$ 182 ea |  Vertical Bracket 41834 \$ 109 ea |  2x2 Toolbar 72" 41672 \$ 124 ea 102" 41673 \$ 181 ea |
|  Toolbar Mount Bracket 43101 \$ 125 ea |  Torsion Unit 42295 \$ 206 ea |  Toolbar Splice 41827 \$ 63 ea |  Bent Pin & Clip (2 pack) 42384 \$ 12 pk | |

G4 STALK STOMPERS

KITS FOR AGCO: MASSEY / GLEANER / CHALLENGER



NOTE: HEADER BRACKET (41990) ACCOMMODATES 4" - 5" MAIN BEAM
NOTE: FITS MASSEY FERGUSON 3000, GLEANER 3000 & CHALLENGER
NOTE: DOES NOT FIT 3300 SERIES HEADS

TOOLBAR ASSEMBLY KITS

| Number of Rows | Kit Part No | Retail Price | 2x2 Toolbar | Head Mounting Brackets | Toolbar Splice |
|----------------|-------------|--------------|-------------|------------------------|----------------|
|----------------|-------------|--------------|-------------|------------------------|----------------|

WITH TOOLBAR

NOTE: Toolbar configuration based on 30" rows; kit will accommodate narrower rows.

| | | | | | |
|----------|-------|---------|---------------------------|----------|----------|
| 2-Row | 84711 | \$ 1803 | 72" (Qty 2) | Qty 4 ea | N/A |
| 4-Row | 84712 | \$ 2395 | 72" (Qty 2) | Qty 4 ea | N/A |
| 6-Row * | 84713 | \$ 3142 | 102" (Qty 2) | Qty 4 ea | N/A |
| 8-Row * | 84714 | \$ 3966 | 102" (Qty 3) | Qty 4 ea | Qty 2 ea |
| 12-Row * | 84715 | \$ 5279 | 102" (Qty 3) + 72" (Qty2) | Qty 4 ea | Qty 4 ea |

WITHOUT TOOLBAR

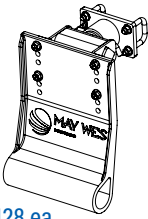
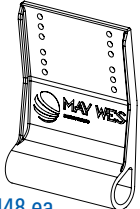
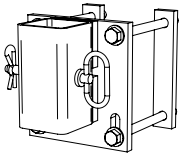
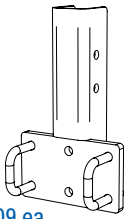
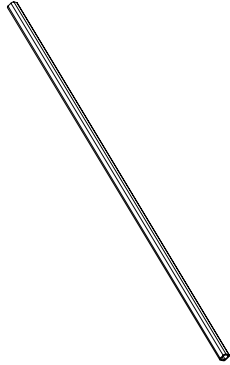
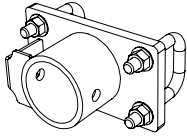
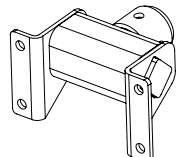
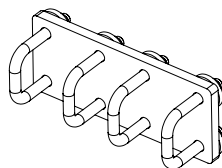
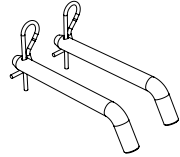
The 2x2 toolbar is required but can be purchased locally to reduce shipping cost.

This is standard 2x2 square 3/16" - sidewall tubing available from most fabrication shops or metal supply companies.

| | | | | | |
|----------|-------|---------|-----|----------|----------|
| 2-Row | 84716 | \$ 1597 | N/A | Qty 4 ea | N/A |
| 4-Row | 84717 | \$ 2112 | N/A | Qty 4 ea | N/A |
| 6-Row * | 84718 | \$ 2962 | N/A | Qty 4 ea | N/A |
| 8-Row * | 84719 | \$ 3683 | N/A | Qty 4 ea | Qty 2 ea |
| 12-Row * | 84720 | \$ 4816 | N/A | Qty 4 ea | Qty 2 ea |

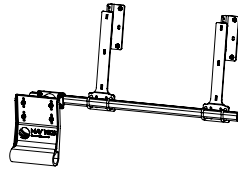
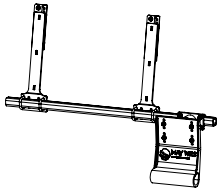
*Due to variation of implement configurations, row coverage under the feederhouse may not be applicable.

REPLACEMENT PARTS FOR AGCO: MASSEY / GLEANER / CHALLENGER

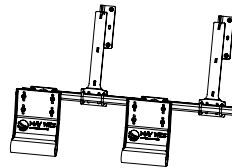
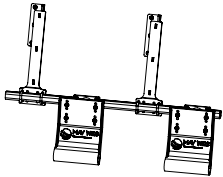
| | | | | |
|--|---|---|---|---|
|  Single Row Shoe Assembly 43102 \$ 428 ea |  12" Shoe 24100 \$ 148 ea |  Head Mounting Bracket 41990 \$ 182 ea |  Vertical Bracket 41834 \$ 109 ea |  2x2 Toolbar 72" 41672 \$ 124 ea 102" 41673 \$ 181 ea |
|  Toolbar Mount Bracket 43101 \$ 125 ea |  Torsion Unit 42295 \$ 206 ea |  Toolbar Splice 41827 \$ 63 ea |  Bent Pin & Clip (2 pack) 42384 \$ 12 pk | |

G4 STALK STOMPERS

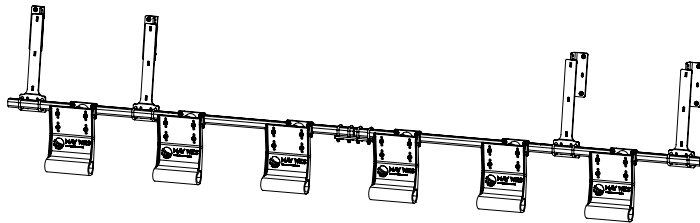
KITS FOR CAPELLO DIAMANT



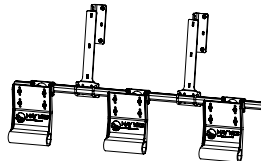
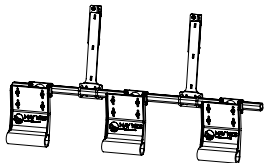
| PART NO | DESCRIPTION | RETAIL PRICE |
|------------------------|---------------------|--------------|
| 84819 | 2 Row Kit | \$ 2241 |
| 84824 | Kit without Toolbar | \$ 2035 |
| Included Parts | | Quantity |
| 2x2 Toolbar - 72" | | Qty: 2 |
| Head Mounting Brackets | | Qty: 4 |
| Toolbar Splice | | N/A |



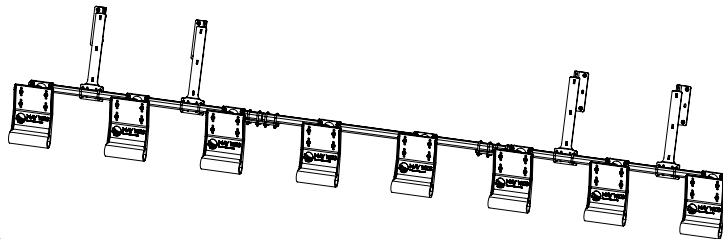
| PART NO | DESCRIPTION | RETAIL PRICE |
|------------------------|---------------------|--------------|
| 84820 | 4 Row Kit | \$ 2910 |
| 84825 | Kit without Toolbar | \$ 2781 |
| Included Parts | | Quantity |
| 2x2 Toolbar - 72" | | Qty: 2 |
| Head Mounting Brackets | | Qty: 4 |
| Toolbar Splice | | N/A |



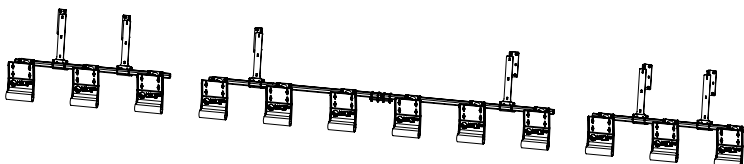
| PART NO | DESCRIPTION | RETAIL PRICE |
|------------------------|---------------------|--------------|
| 84821 | 6 Row Kit | \$ 3657 |
| 84826 | Kit without Toolbar | \$ 3425 |
| Included Parts | | Quantity |
| 2x2 Toolbar - 102" | | Qty: 2 |
| Head Mounting Brackets | | Qty: 4 |
| Toolbar Splice | | OPTIONAL |



| PART NO | DESCRIPTION | RETAIL PRICE |
|------------------------|-------------------------------------|--------------|
| 84821 | 6 Row Kit for 8 Row or Larger Heads | \$ 3657 |
| 84826 | Kit without Toolbar | \$ 3425 |
| Included Parts | | Quantity |
| 2x2 Toolbar - 102" | | Qty: 2 |
| Head Mounting Brackets | | Qty: 4 |
| Toolbar Splice | | N/A |



| PART NO | DESCRIPTION | RETAIL PRICE |
|------------------------|---------------------|--------------|
| 84822 | 8 Row Kit | \$ 4584 |
| 84827 | Kit without Toolbar | \$ 4275 |
| Included Parts | | Quantity |
| 2x2 Toolbar - 72" | | Qty: 1 |
| - 102" | | Qty: 2 |
| Head Mounting Brackets | | Qty: 4 |
| Toolbar Splice | | Qty: 2 |



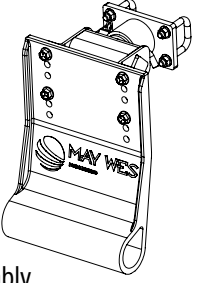
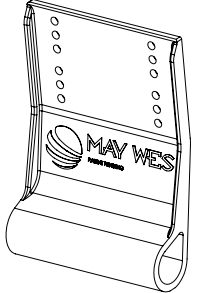
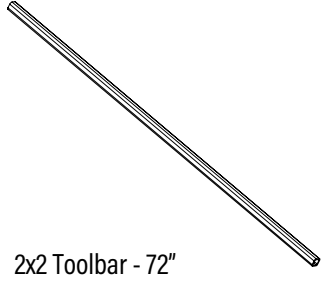
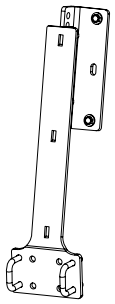
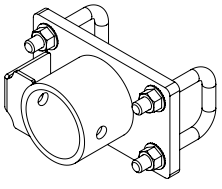
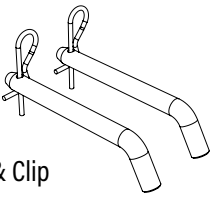
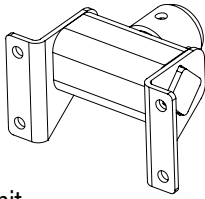
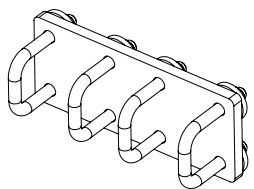
| PART NO | DESCRIPTION | RETAIL PRICE |
|------------------------|---------------------|--------------|
| 84823 | 12 Row Kit | \$ 5794 |
| 84828 | Kit without Toolbar | \$ 5511 |
| Included Parts | | Quantity |
| 2x2 Toolbar - 72" | | Qty: 2 |
| - 102" | | Qty: 2 |
| Head Mounting Brackets | | Qty: 6 |
| Toolbar Splice | | Qty: 2 |

Note: 12 Row Kit fits rigid head only.

The 2x2 toolbar is required but can be purchased locally to reduce shipping cost.
 This is standard 2x2 square 3/16" - sidewall tubing available from most fabrication shops or metal supply companies.

G4 STALK STOMPERS

REPLACEMENT PARTS FOR CAPELLO DIAMANT

| | | | |
|---|--|---|--|
|  <p>Single Row Shoe Assembly 43102 \$ 428 ea</p> |  <p>12" Shoe 24100 \$ 148 ea</p> |  <p>2x2 Toolbar - 72" 41672 \$ 124 ea 41673 \$ 181 ea</p> |  <p>Header Bracket Assembly 42494 \$ 325 ea</p> |
|  <p>Toolbar Mount Bracket 43101 \$ 125 ea</p> |  <p>Bent Pin & Clip (2 pack) 42384 \$ 12 pk</p> |  <p>Torsion Unit 42295 \$ 206 ea</p> |  <p>Toolbar Splice 41827 \$ 63 ea</p> |

FIND MORE CORN HEAD PRODUCTS starting on page 101



EAR SAVERS
PAGE 116



SNOUT SAVERS & SNOOT BOOTS
PREVENT DAMAGE TO POLY CORN SNOOTS
PAGE 107



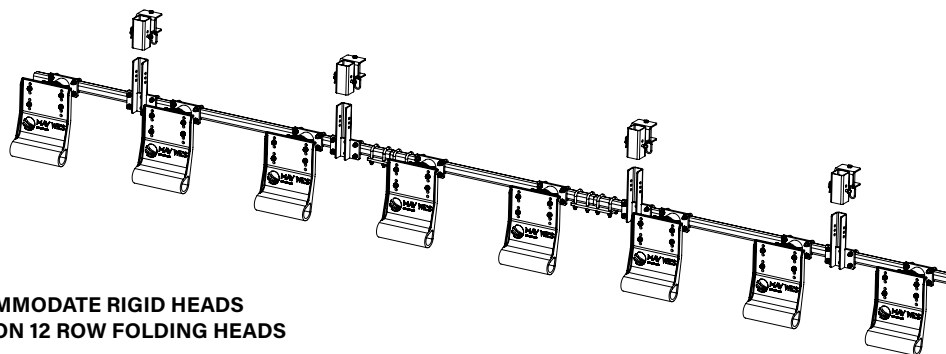
CORN HEAD AUGER TROUGH LINERS
Protect the high-wear areas in your auger trough
FIND THEM ON PAGES 108-109



Check out our website - WWW.MAYWES.COM for more information, installation instructions and our full lineup of poly products.

G4 STALK STOMPERS

KITS FOR CAPELLO QUASAR



**NOTE: KITS ACCOMMODATE RIGID HEADS
- MAY NOT WORK ON 12 ROW FOLDING HEADS**

TOOLBAR ASSEMBLY KITS

| Number of Rows | Kit Part No | Retail Price | 2x2 Toolbar | Head Mounting Brackets | Toolbar Splice |
|----------------|-------------|--------------|-------------|------------------------|----------------|
|----------------|-------------|--------------|-------------|------------------------|----------------|

WITH TOOLBAR

NOTE: Toolbar configuration based on 30" rows; kit will accommodate narrower rows.

| Number of Rows | Kit Part No | Retail Price | 2x2 Toolbar | Head Mounting Brackets | Toolbar Splice |
|----------------|-------------|--------------|----------------------------|------------------------|----------------|
| 2-Row | 84739 | \$ 1751 | 72" (Qty 2) | Qty 4 ea | N/A |
| 4-Row | 84740 | \$ 2369 | 72" (Qty 2) | Qty 4 ea | N/A |
| 6-Row * | 84741 | \$ 3116 | 102" (Qty 2) | Qty 4 ea | N/A |
| 8-Row * | 84742 | \$ 3966 | 102" (Qty 3) | Qty 4 ea | Qty 2 ea |
| 12-Row * | 84743 | \$ 5305 | 102" (Qty 2) + 72" (Qty 2) | Qty 4 ea | Qty 4 ea |
| 16-Row * | 84744 | \$ 6232 | 102" (Qty 5) | Qty 4 ea | Qty 4 ea |

WITHOUT TOOLBAR

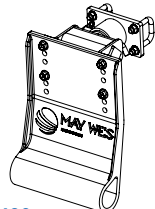

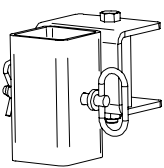
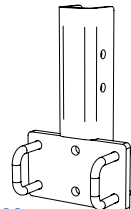
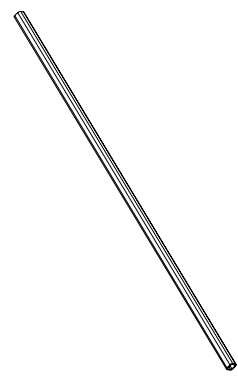
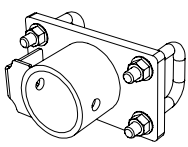
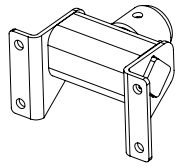
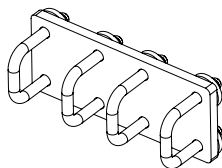
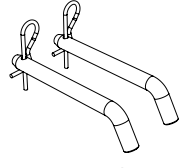
The 2x2 toolbar is required but can be purchased locally to reduce shipping cost.

This is standard 2x2 square 3/16" - sidewall tubing available from most fabrication shops or metal supply companies.

| Number of Rows | Kit Part No | Retail Price | 2x2 Toolbar | Head Mounting Brackets | Toolbar Splice |
|----------------|-------------|--------------|-------------|------------------------|----------------|
| 2-Row | 84745 | \$ 1571 | N/A | Qty 4 ea | N/A |
| 4-Row | 84746 | \$ 2112 | N/A | Qty 4 ea | N/A |
| 6-Row * | 84747 | \$ 2962 | N/A | Qty 4 ea | N/A |
| 8-Row * | 84748 | \$ 3657 | N/A | Qty 4 ea | Qty 2 ea |
| 12-Row * | 84749 | \$ 4816 | N/A | Qty 4 ea | Qty 2 ea |
| 16-Row * | 84750 | \$ 5588 | N/A | Qty 4 ea | Qty 2 ea |

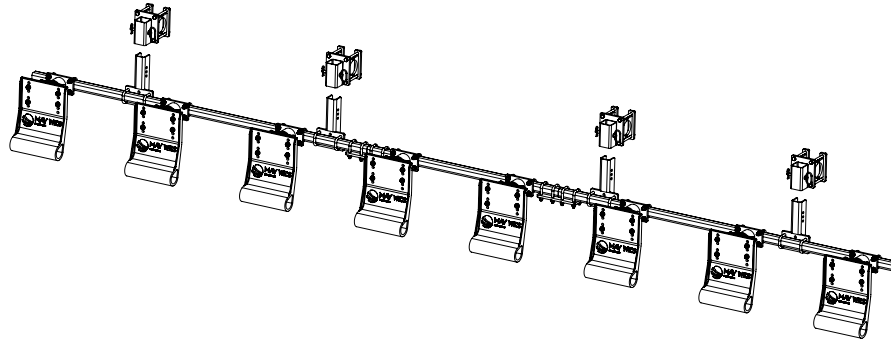
*Due to variation of implement configurations, row coverage under the feederhouse may not be applicable.

REPLACEMENT PARTS FOR CAPELLO QUASAR

| | | | | |
|--|---|---|--|---|
|  Single Row Shoe Assembly 43102 \$ 428 ea |  12" Shoe 24100 \$ 148 ea |  Head Mounting Bracket 42006 \$ 182 ea |  Vertical Bracket 41834 \$ 109 ea |  2x2 Toolbar 72" 41672 \$ 124 ea 102" 41673 \$ 181 ea |
|  Toolbar Mount Bracket 43101 \$ 125 ea |  Torsion Unit 42295 \$ 206 ea |  Toolbar Splice 41827 \$ 63 ea |  Bent Pin & Clip (2 pack) 42384 \$ 12 pk | |

G4 STALK STOMPERS

KITS FOR FANTINI



TOOLBAR ASSEMBLY KITS

| Number of Rows | Kit Part No | Retail Price | 2x2 Toolbar | Head Mounting Brackets | Toolbar Splice |
|---|-------------|--------------|---------------------------|------------------------|----------------|
| WITH TOOLBAR | | | | | |
| <i>NOTE: Toolbar configuration based on 30" rows; kit will accommodate narrower rows.</i> | | | | | |
| 2-Row | 84729 | \$ 1803 | 72" (Qty 2) | Qty 4 ea | N/A |
| 4-Row | 84730 | \$ 2369 | 72" (Qty 2) | Qty 4 ea | N/A |
| 6-Row * | 84731 | \$ 3142 | 102" (Qty 2) | Qty 4 ea | N/A |
| 8-Row * | 84732 | \$ 3966 | 102" (Qty 3) | Qty 4 ea | Qty 2 ea |
| 12-Row * | 84733 | \$ 5176 | 102" (Qty 3) + 72" (Qty2) | Qty 4 ea | Qty 4 ea |

WITHOUT TOOLBAR

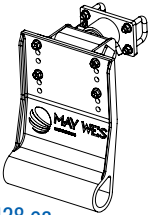
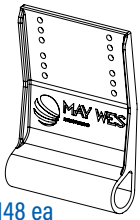
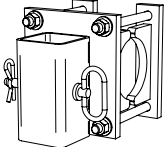
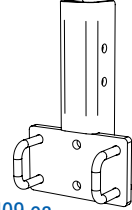
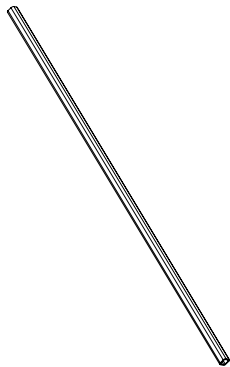
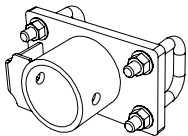
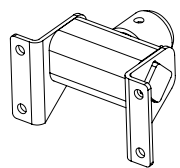
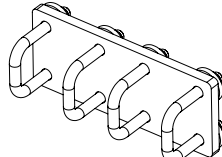
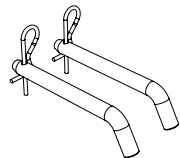
The 2x2 toolbar is required but can be purchased locally to reduce shipping cost.

This is standard 2x2 square 3/16" - sidewall tubing available from most fabrication shops or metal supply companies.

| | | | | | |
|----------|-------|---------|-----|----------|----------|
| 2-Row | 84734 | \$ 1597 | N/A | Qty 4 ea | N/A |
| 4-Row | 84735 | \$ 2112 | N/A | Qty 4 ea | N/A |
| 6-Row * | 84736 | \$ 2962 | N/A | Qty 4 ea | N/A |
| 8-Row * | 84737 | \$ 3683 | N/A | Qty 4 ea | Qty 2 ea |
| 12-Row * | 84738 | \$ 4713 | N/A | Qty 4 ea | Qty 2 ea |

*Due to variation of implement configurations, row coverage under the feederhouse may not be applicable.

REPLACEMENT PARTS FOR FANTINI

| | | | | |
|---|---|--|--|---|
|  <p>Single Row Shoe Assembly 43102 \$ 428 ea</p> |  <p>12" Shoe 24100 \$ 148 ea</p> |  <p>Head Mounting Bracket 41787 \$ 268 ea</p> |  <p>Vertical Bracket 41834 \$ 109 ea</p> |  <p>2x2 Toolbar 72" 41672 \$ 124 ea 102" 41673 \$ 181 ea</p> |
|  <p>Toolbar Mount Bracket 43101 \$ 125 ea</p> |  <p>Torsion Unit 42295 \$ 206 ea</p> |  <p>Toolbar Splice 41827 \$ 63 ea</p> |  <p>Bent Pin & Clip (2 pack) 42384 \$ 12 pk</p> | |



Check out our website - WWW.MAYWES.COM

for more information, installation instructions and our full lineup of poly products.

QUICK DISCONNECT 2 STALK STOMPERS

| ASSEMBLY / REPLACEMENT COMPONENTS | | | |
|--|--|--|--|
| Poly Shoe Cover with Hardware 9" 40012 \$ 74 pr 14" 41713 \$ 100 pr | | Offset Poly Shoe Cover w/ Hardware 41948 \$ 74 pr | |
| Stalk Stomper Spring 01040 \$ 26 ea | | QD2 Stalk Stomper Hardware Kit: <i>Includes chains, nuts, bolts & greasable bolts</i> 41965 \$ 21 ea | |
| U Bolt - (4 pack) 4x4 Mount 42293 \$ 31 pk | | U Bolt - (2 pack) 2x2 Mount 41993 \$ 16 pk | |
| John Deere 600/700 Header Bracket 41848 \$ 182 ea | | Drago Series I & II Header Bracket 42796 \$ 260 ea | |
| Geringhoff Horizon Left Header Bracket 42135 \$ 78 ea | | Geringhoff Horizon Right Header Bracket 42134 \$ 78 ea | |
| AGCO: Massey/Gleaner/Challenger Header Bracket 41990 \$ 182 ea | | Lexion Header Bracket 41837 \$ 182 ea | |
| Capello Header Bracket 42006 \$ 182 ea | | Fantini Header Bracket 41787 \$ 268 ea | |
| <h2>ORDER ONLINE 24/7</h2> <p>Scan the QR code with your phone to visit maywes.com.</p> <div style="border: 1px solid black; padding: 5px; display: inline-block;"> </div> | | | |

POLY CUTTING EDGE

NON-SPARKING & PREVENTS SCUFFING

Snow Plows, Snow Pushers & Buckets

Slick & Durable UHMW Poly Protects Pavement from Plow Damage

Horizontal Application -
 Beveled on both sides.
 Optional counterbored holes.



ORDER ONLINE
 WITH OUR NEW CONFIGURATOR TOOL
 AT MAYWES.COM

Vertical Application -
 Unbeveled. Optional drilled holes.



"We decided to make the switch from metal cutting edges to the May Wes Poly Cutting Edge in an effort to prevent scuffing our new sidewalks. May Wes helped us figure out the proper Poly Cutting Edge size requirements to fit our particular snow blowers and plow blades. We like how the poly material flexes when the blade hits uneven sidewalks, preventing the shock on the equipment and chipping the concrete. We are satisfied with the service from May Wes and the quick product shipment."

Mike Drew, Park Superintendent
 City of Glencoe, MN

Featured by Fast Ag Montana, Larson Farms, and Stanley the Dirt Monkey



Made in the U.S.A.

More information on pages 143 - 144

4 Tractor Stompers

STUBBLE DAMAGE PROTECTION
STALK STOMPERS FOR TRACTORS



WORKS OFF OF EXISTING TRACTOR HYDRAULICS

- Use an existing open remote to control the Stalk Stompers, allowing independent control and float operation.
- Plumb a tee into existing implement lines so that the Stompers raise and lower automatically with your implement.

KIT IS BUILT AROUND A STANDARD 4" X 4" TOOLBAR

You have the option to supply your own 4" x 4" toolbar or you can purchase through May Wes. *(Oversize shipping charges will apply.)*

NO DRILLING OR WELDING REQUIRED!

Designed for quick assembly and doesn't typically require welding or drilling.

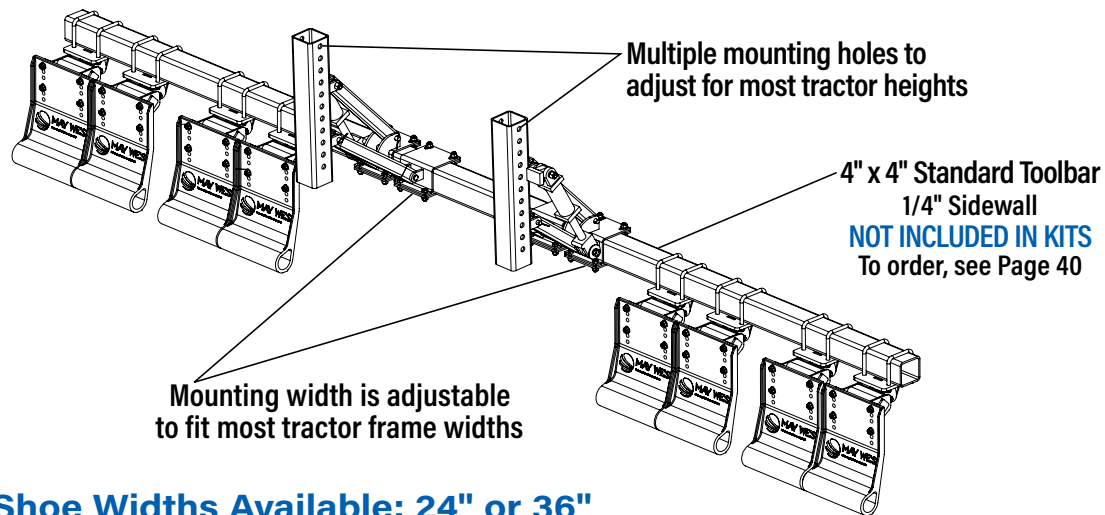
ROW-CROP CONFIGURATION

Great for knocking down stalks when planting in no-till applications.

Stalk Stompers Promote Residue Decomposition!

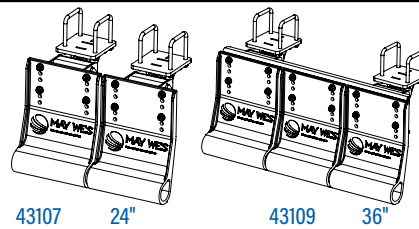
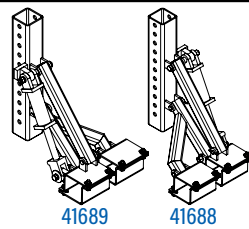


TRACTOR STALK STOMPER KITS WITH MOUNTS



Multiple Shoe Widths Available: 24" or 36"

- Toolbar is available for purchase separately.
(See page 40)



| KIT PART NO | RETAIL PRICE | MOUNT KIT | LIFT ARM ASSEMBLIES | SHOE CONFIGURATION | HYDRAULIC KIT |
|---|--------------|-----------|---------------------|--------------------|---------------|
| FOR CASE IH MAGNUM 235 /250 /260 /280 /290 /310 /315 /340 /370 /380 | | | | | |
| 83765 | \$ 5800 | 42013 | Qty 1 ea | 24" - Qty 2 | 25 ft |
| 83766 | \$ 6932 | | Qty 1 ea | 24" - Qty 4 | 25 ft |
| FOR CASE IH QUADTRAC/ROWTRAC 450 /500 /540 /550 /580 /600 /620 - 2012 & NEWER | | | | | |
| 83767 | \$ 6464 | 41730 | Qty 1 ea | 36" - Qty 2 | 35 ft |
| FOR CASE IH STEIGER 500 /540 /550 /580 /600 /620 - 2012 & NEWER | | | | | |
| 83768 | \$ 7880 | 41731 | Qty 1 ea | 36" - Qty 4 | 35 ft |
| FOR CASE IH STEIGER 350 /370 /400 /420 /450 /470 - 2012 & NEWER WITHOUT FRONT BALLAST | | | | | |
| 83769 | \$ 7880 | 41969 | Qty 1 ea | 36" - Qty 4 | 35 ft |
| FOR CASE IH STEIGER/ROWTRAC 350 /370 /400 /420 /450 /470 - 2012 & NEWER WITH FRONT BALLAST (NOT COMPATIBLE WITH FRONT WEIGHT CARRIER) | | | | | |
| 83770 | \$ 6500 | 42287 | Qty 1 ea | 36" - Qty 2 | 35 ft |
| 83771 | \$ 7839 | | Qty 1 ea | 36" - Qty 4 | 35 ft |
| FOR CASE IH STEIGER/QUADTRAC 485 /535 - 2011 & OLDER | | | | | |
| 83779 | \$ 7004 | 41687 | Qty 1 ea | 24" - Qty 4 | 35 ft |
| 83772 | \$ 6464 | | Qty 1 ea | 36" - Qty 2 | 35 ft |
| 83773 | \$ 7839 | | Qty 1 ea | 36" - Qty 4 | 35 ft |
| FOR NEW HOLLAND T9.615 /T9.670 WITH SMARTTRAX | | | | | |
| 83774 | \$ 6541 | 41744 | Qty 1 ea | 36" - Qty 2 | 35 ft |
| FOR NEW HOLLAND T9.600 /T9.615 /T9.645 /T9.670 /T9.700 | | | | | |
| 83775 | \$ 7880 | 41731 | Qty 1 ea | 36" - Qty 4 | 35 ft |
| FOR NEW HOLLAND T9.390 /T9.435 /T9.450 /T9.480 /T9.505 /T9.530 /T9.560 /T9.565 WITHOUT FRONT BALLAST | | | | | |
| 83776 | \$ 7880 | 41969 | Qty 1 ea | 36" - Qty 4 | 35 ft |
| FOR NEW HOLLAND T9.390 /T9.435 /T9.450 /T9.480 /T9.505 /T9.530 /T9.560 /T9.565 WITH FRONT BALLAST (NOT COMPATIBLE WITH FRONT WEIGHT CARRIER) | | | | | |
| 83777 | \$ 6464 | 42287 | Qty 1 ea | 36" - Qty 2 | 35 ft |
| 83778 | \$ 7839 | | Qty 1 ea | 36" - Qty 4 | 35 ft |



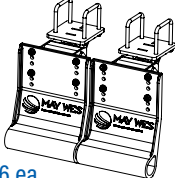
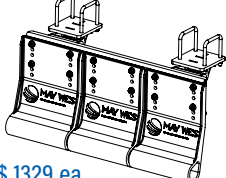
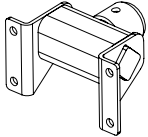
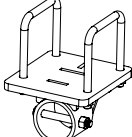
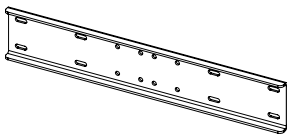
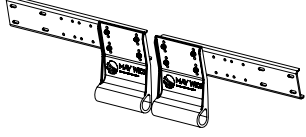
TRACTOR STALK STOMPER KITS WITH MOUNTS

TRACTOR PARTS

| KIT PART NO | RETAIL PRICE | MOUNT KIT | LIFT ARM ASSEMBLIES | SHOE CONFIGURATION | HYDRAULIC KIT |
|--|--------------|-----------|---------------------|--------------------|---------------|
| FOR JOHN DEERE 9RX SERIES - 2016 & NEWER | | | | | |
| 83712 | \$ 6335 | 42383 | Qty 1 ea | 24" - Qty 2 | 35 ft |
| 83711 | \$ 6670 | | Qty 1 ea | 36" - Qty 2 | 35 ft |
| FOR JOHN DEERE 9R SERIES - 2015 & NEWER | | | | | |
| 83713 | \$ 8292 | 42322 | Qty 1 ea | 36" - Qty 4 | 35 ft |
| FOR JOHN DEERE 9R SERIES 2012 - 2014 | | | | | |
| 83714 | \$ 7545 | 41994 | Qty 1 ea | 24" - Qty 4 | 35 ft |
| 83736 | \$ 8292 | | Qty 1 ea | 36" - Qty 4 | 35 ft |
| FOR JOHN DEERE 9RT SERIES 2012 - 2014 | | | | | |
| 83737 | \$ 6644 | 42320 | Qty 1 ea | 36" - Qty 2 | 35 ft |
| FOR JOHN DEERE 9030 SERIES - ALL MODELS (NOT COMPATIBLE WITH FRONT WEIGHT BRACKET) | | | | | |
| 83738 | \$ 7545 | 41697 | Qty 1 ea | 24" - Qty 4 | 35 ft |
| 83739 | \$ 8240 | | Qty 1 ea | 36" - Qty 4 | 35 ft |
| FOR JOHN DEERE 8000 / 8010 / 8020 / 8030 / 8R SERIES - ALL MODELS (INCLUDING TRACK MODELS EXCEPT 8RX) | | | | | |
| 83744 | \$ 6438 | 41728 | Qty 1 ea | 24" - Qty 2 | 25 ft |
| 83745 | \$ 8034 | | Qty 1 ea | 24" - Qty 4 | 25 ft |
| 83746 | \$ 6747 | | Qty 1 ea | 36" - Qty 2 | 25 ft |
| FOR CHALLENGER 700 / 700B / 700C / 700D SERIES - ALL MODELS | | | | | |
| 83748 | \$ 5897 | 41684 | Qty 1 ea | 24" - Qty 2 | 25 ft |
| 83750 | \$ 6283 | | Qty 1 ea | 36" - Qty 2 | 25 ft |
| FOR CHALLENGER 700E SERIES ALL MODELS | | | | | |
| 83751 | \$ 6283 | 42264 | Qty 1 ea | 24" - Qty 2 | 25 ft |
| 83879 | \$ 6464 | | Qty 1 ea | 36" - Qty 2 | 25 ft |
| FOR CHALLENGER 800 SERIES ALL MODELS | | | | | |
| 83880 | \$ 5949 | 41707 | Qty 1 ea | 24" - Qty 2 | 25 ft |
| 83881 | \$ 6464 | | Qty 1 ea | 36" - Qty 2 | 25 ft |
| FOR UNIVERSAL KITS (KITS DO NOT INCLUDE TRACTOR SPECIFIC MOUNT BRACKET OR TOOLBAR) | | | | | |
| 83889 | \$ 5408 | N/A | Qty 1 ea | 24" - Qty 2 | 35 ft |
| 83890 | \$ 6464 | | Qty 1 ea | 24" - Qty 4 | 35 ft |
| 83891 | \$ 5949 | | Qty 1 ea | 36" - Qty 2 | 35 ft |
| 83892 | \$ 7339 | | Qty 1 ea | 36" - Qty 4 | 35 ft |

4x4 Toolbar not included in kits. To order separately, see Page 40.

REPLACEMENT PARTS FOR TRACTOR STALK STOMPERS

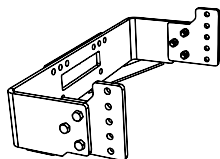
| | | | |
|---|--|--|---|
|  <p>12" Shoe 24100 \$ 148 ea</p> |  <p>12" Shoe Assembly 43105 \$ 577 ea</p> |  <p>24" Shoe Assembly 43107 \$ 1056 ea</p> |  <p>36" Shoe Assembly 43109 \$ 1329 ea</p> |
|  <p>Torsion Unit 42295 \$ 206 ea</p> |  <p>Toolbar Mount Bracket 43104 \$ 222 ea</p> |  <p>36" Shoe Connector 22863 \$ 160 ea</p> |  <p>24" - 36" Offset Kit 42767 \$ 521 ea</p> |

TRACTOR STALK STOMPER COMPONENTS

TRACTOR MOUNT KITS

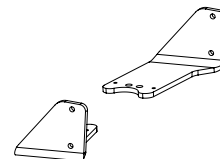
FOR Case IH MAGNUM 235/260/280/
290/310/315/340/370/380

42013 \$ 1175 ea



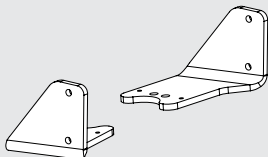
FOR Case IH QUADTRAC 450/500/540/
550/580/ 600/620
(2012 & Newer)

41730 \$ 1314 ea



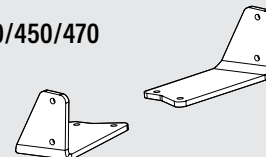
FOR Case IH STEIGER 500/540/550/
580/600/620
(2012 & Newer)

41731 \$ 1051 ea



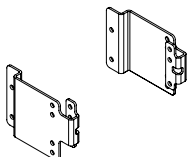
FOR Case IH STEIGER 300/370/400/420/450/470
w/o Front Ballast
(2012 & Newer)

41969 \$ 1010 ea



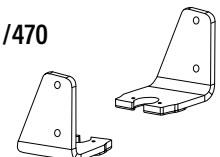
FOR Case IH STEIGER/QUADTRAC 485/535
(2011 & Older)

41687 \$ 603 ea



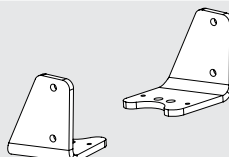
FOR Case IH Steiger 350/370/400/420/450 /470
with Front Ballast (2012 and Newer)
(not compatible with front weight carrier)

42287 \$ 876 ea



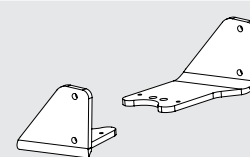
FOR New Holland T9.615/T9.670
with SmartTrax

41744 \$ 1051 ea



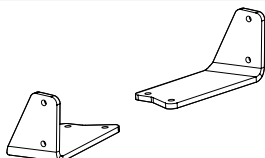
FOR New Holland T9.600/
T9.615/T9.645/T9.670/T9.700

41731 \$ 1051 ea



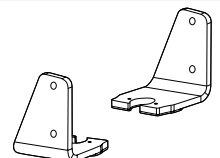
FOR New Holland T9.390/T9.435/
T9.450/T9.480/T9.505/T9.530/
T9.560/T9.565 w/o Front Ballast

41969 \$ 1010 ea



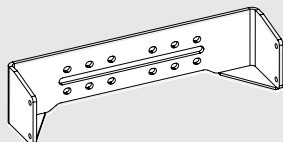
FOR New Holland T9.390/ T9.435/T9.450/
T9.505/T9.530/T9.560/T9.565
with Front Ballast
(not compatible with front weight carrier)

42287 \$ 876 ea



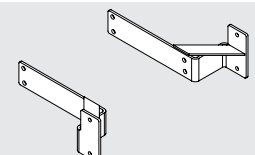
FOR John Deere 9RT Series
(2012-2014)

42320 \$ 1051 ea



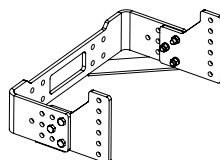
FOR John Deere 9030 Series
(not compatible with front weight carrier)

41697 \$ 665 ea



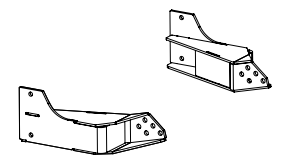
FOR John Deere 8000/8010/
8020/8030/8R/8RT Series

41728 \$ 1072 ea



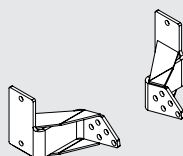
FOR John Deere 9RX Series
(2016 & Newer)

42383 \$ 1051 ea



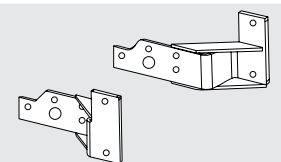
FOR John Deere 9R Series
(2015 & Newer)

42322 \$ 706 ea



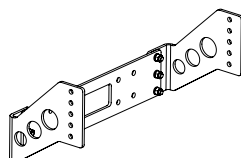
FOR John Deere 9R Series
(2012-2014)

41994 \$ 737 ea



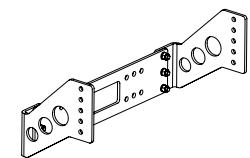
FOR Challenger 700/700B/
700C/700D Series

41684 \$ 698 ea



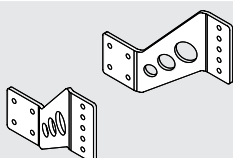
FOR Challenger 700E Series All Models

42264 \$ 1051 ea



FOR Challenger 800 Series

41707 \$ 799 ea



ORDER ONLINE 24/7

Scan the QR code
with your phone to
visit maywes.com.

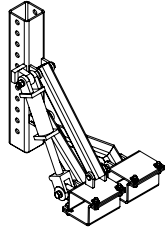


TRACTOR STALK STOMPER COMPONENTS

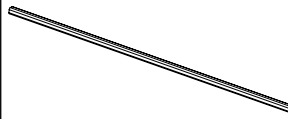
ASSEMBLY COMPONENTS

Right Lift Arm Assembly
(Includes cylinder)

41688 \$ 1442 ea



4x4 12-Foot Toolbar
22263 \$ 773 ea
Not included in kits.



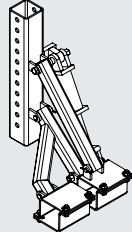
Hydraulic Hose Kit

41797 25 ft. \$ 716 ea
41798 30 ft. \$ 768 ea
41799 35 ft. \$ 840 ea



Left Lift Arm Assembly
(Includes cylinder)

41689 \$ 1442 ea



The 4x4 toolbar is required but can be purchased locally to reduce shipping cost. This is standard 4x4 square 1/4" - sidewall tubing available from most fabrication shops or metal supply companies.

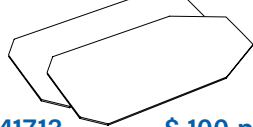
ORDER ONLINE 24/7

Scan the QR code with your phone to visit maywes.com.



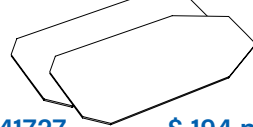
REPLACEMENT PARTS

Poly Shoe Replacement Cover w/ Rivets 14"



41713 \$ 100 pr

Poly Shoe Replacement Cover w/Rivets 24"



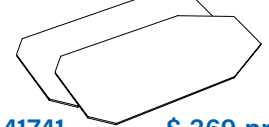
41727 \$ 194 pr

Poly Shoe Replacement Cover w/Rivets 32"



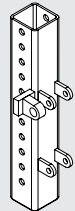
41735 \$ 284 pr

Poly Shoe Replacement Cover w/Rivets 38"



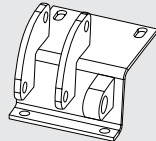
41741 \$ 369 pr

Right Vertical Mount



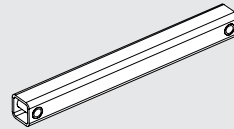
41690 \$ 340 ea

Right Hinge Bracket



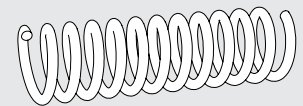
41693 \$ 196 ea

Upper Connecting Arm



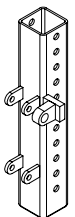
41696 \$ 109 ea

Stomper Spring



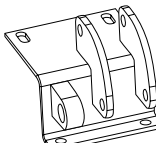
01040 \$ 26 ea

Left Vertical Mount



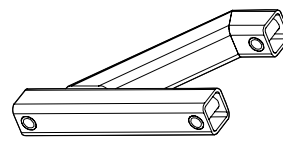
41691 \$ 340 ea

Left Hinge Bracket



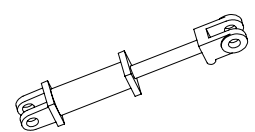
41695 \$ 196 ea

Lower Connecting Arm



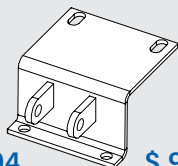
41692 \$ 256 ea

Hydraulic Cylinder



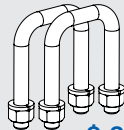
00961 \$ 258 ea

Hinge Support Bracket



41694 \$ 98 ea

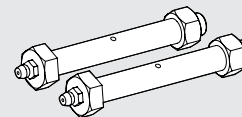
U Bolt - 4x4 Mount (2 pack)



42244 \$ 23.00 pk

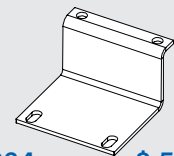
Hardware Kit

Includes chains, nuts, bolts & greasable bolts



41965 \$ 21 ea

Hinge Clamp



22264 \$ 52 ea

Planter Stompers

For John Deere 1770 NT
and Case IH 1250 Early Riser

page 133



DRAW BAR SAVERS

REDUCE FRICTION AND SAVE COMPONENT WEAR

UHMW Draw Bar Savers for your draw bars and hitches have slick properties for durability and wear resistance. Stacking may be used to achieve the desired thickness for your application.

4" OUTSIDE DIAMETER

| DESCRIPTION | 1" I.D. PART NO | 1 1/4" I.D. PART NO | 1 1/2" I.D. PART NO | 1 3/4" I.D. PART NO | 2" I.D. PART NO | RETAIL PRICE |
|-------------|-----------------|---------------------|---------------------|---------------------|-----------------|--------------|
| 3/8" Thick | 42247 | 42248 | 42249 | 42250 | 42251 | \$ 7.25 ea |
| 1/2" Thick | 42015 | 42018 | 42021 | 42024 | 42027 | \$ 8.25 ea |
| 3/4" Thick | 42016 | 42019 | 42022 | 42025 | 42028 | \$ 10.25 ea |
| 1" Thick | 42017 | 42020 | 42023 | 42026 | 42029 | \$ 13.50 ea |

6" OUTSIDE DIAMETER

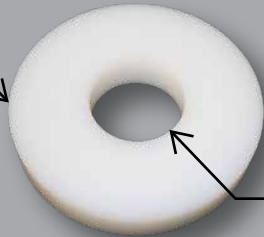
| DESCRIPTION | 2" I.D. PART NO | 2 1/4" I.D. PART NO | 2 1/2" I.D. PART NO | 2 3/4" I.D. PART NO | 3" I.D. PART NO | RETAIL PRICE |
|-------------|-----------------|---------------------|---------------------|---------------------|-----------------|--------------|
| 3/8" Thick | 42252 | 42253 | 42254 | 42255 | 42256 | \$ 10.25 ea |
| 1/2" Thick | 42030 | 42033 | 42036 | 42039 | 42042 | \$ 13.50 ea |
| 3/4" Thick | 42031 | 42034 | 42037 | 42040 | 42043 | \$ 18.00 ea |
| 1" Thick | 42032 | 42035 | 42038 | 42041 | 42044 | \$ 22.00 ea |



TRACTOR DRAWBAR CATEGORIES & PIN DIAMETER

| TRACTOR DRAW BAR CATEGORY | MAX TRACTOR PTO POWER RATING | | MINIMUM PIN DIAMETER | |
|---------------------------|------------------------------|-----|----------------------|----|
| | HP | kW | IN. | MM |
| 0 | 38 | 28 | 1" | 18 |
| 1 | 64 | 48 | 1 1/4" | 30 |
| 2 | 154 | 115 | 1 1/4" | 30 |
| 3 | 248 | 185 | 1 1/2" | 38 |
| 4 | 402 | 300 | 2" | 50 |
| 5 | 671 | 500 | 2 3/4" | 70 |

Outside Diameter



Inside Diameter

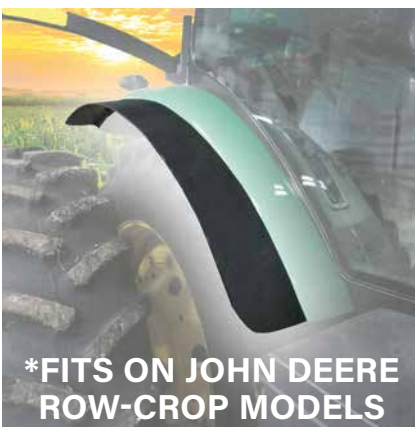


As Featured by the
Minnesota Millennial Farmer
[youtube.com/MNMillennialFarmer](https://www.youtube.com/MNMillennialFarmer)



SCAN THE CODE
 to see this product in action!

REAR FENDER EXTENSIONS FOR JOHN DEERE & CASE IH



***FITS ON JOHN DEERE
 ROW-CROP MODELS**

Each set includes one left and one right fender extension plus mounting instructions and hardware.

(Drilling required)

ORDER 24/7 WWW.MAYWES.COM

Don't see your tractor listed? Visit maywes.com for more options.

Fender Extensions will not wrap around the back of the tractor cab.

FOR JOHN DEERE

| PART NO | DESCRIPTION | RETAIL PRICE |
|---------|--|--------------|
| 85034 | Series 4* - Fits: 6J-1704, 6J-1904, 6M-1654, 6M-1854, 6M-2104, 1654, 1854, 1854J, 2054, 2104, 6020, 6090M, 6100E, 6100J, AND MORE | \$ 260 kit |
| 83824 | Series 3* - Fits: 8225R, 8235R, 8245R, 8260R, 8270R, 8285R, 8295R, 8310R, 8320R, 8335R, 8345R, 8360R, 8370R and 8400R | \$ 260 kit |
| 83823 | Series 2* - Fits: 7820, 7920, 7830, 7930, 8120, 8130, 8220, 8230, 8320, 8330, 8420, 8430, 8520, 8530 | \$ 260 kit |

FOR CASE IH

| PART NO | DESCRIPTION | RETAIL PRICE |
|---------|--|--------------|
| 85035 | Magnum - Fits: 180, 200, 220, 240, 250, 2654, 280, 310, 3154, 340, 380, 400 | \$ 260 kit |

*Drilling Required. Each Fender is 7 3/4" wide (extends to full length of fender).

2026 / 2027 CATALOG

TOLL FREE 1-800-788-6483

POLY PICKUP BANDS



A PRACTICAL REPLACEMENT FOR OEM METAL PICKUP BANDS AT HALF THE PRICE

WHAT ARE THE BENEFITS OF POLY OVER METAL?

- ✔ Doesn't rust, bend or break
- ✔ Feeds into the machine more smoothly
- ✔ Eliminates metal shavings in feed
- ✔ Spark-free, reduces risk of fire
- ✔ Maintain their shape, impact resistant
- ✔ Tapered reinforcement rib prevents debris build-up
- ✔ No metal-on-metal clatter, enjoy a quiet ride in the cab



HAY & FORAGE



FEATURED BY
Minnesota
Millennial Farmer



INSTALLATION VIDEO
John Deere 567
Round Baler



FOR CASE IH SQUARE BALER - Black

| MODEL | OEM | HEAD SIZE | QTY REQ | PART NO | RETAIL PRICE |
|---|--|-----------|---------|---------|--------------|
| LB324, LB333, LB334, LB424, LB433, LB434, LBX322, LBX331, LBX332, LBX421, LBX422 (with Standard and Packer Cutter Head) | 84468627 84607815 84801631 84214800 84274387 | - | - | 83483 | \$ 21.50 ea |
| LB324, LB333, LB334, LB424, LB433, LB434, LBX322, LBX331, LBX332, LBX421, LBX422 (with Roto Cutter Head) | 84607781 84274384 | - | - | 83484 | \$ 28.95 ea |
| 8550, 8570, 8575, 8585 | 700108607 | - | - | 83480 | \$ 28.95 ea |
| SB521, SB531, SB541, SB551, SBX520, SBX530, SBX540, SBX550 | 86635483 | - | - | 83676 | \$ 28.95 ea |

FOR CASE IH ROUND BALER - Black

| MODEL | OEM | HEAD SIZE | QTY REQ | PART NO | RETAIL PRICE |
|--------|----------|-----------|---------|---------|--------------|
| RBX441 | 86619049 | - | 17 | 83589 | \$ 28.95 ea |
| RBX442 | 86619049 | - | 11 | 83589 | \$ 28.95 ea |
| RBX443 | 86619049 | - | 11 | 83589 | \$ 28.95 ea |
| RBX443 | 86637150 | - | 11 | 83590 | \$ 28.95 ea |
| RBX451 | 86618417 | 1.5m | 23 | 83704 | \$ 28.95 ea |

All Poly Pickup Bands come complete with hardware for easy installation.

POLY PICKUP BANDS

FOR CASE IH ROUND BALER - Black

| MODEL | OEM | HEAD SIZE | QTY REQ | PART NO | RETAIL PRICE |
|--------|----------|-----------|-----------|---------|--------------|
| RBX452 | 86618417 | 1.5m | 23 | 83704 | \$ 28.95 ea |
| RBX452 | 86643381 | 1.8m | 27 | 83485 | \$ 28.95 ea |
| RBX452 | 86643381 | 2.0m | 31 | 83485 | \$ 28.95 ea |
| RBX453 | 86618417 | 1.5m | 23 | 83704 | \$ 28.95 ea |
| RBX453 | 86618417 | 1.8m | 27 | 83704 | \$ 28.95 ea |
| RBX453 | 86643381 | 2.0m | 31 | 83485 | \$ 28.95 ea |
| RBX461 | 86618417 | 1.5m | 23 | 83704 | \$ 28.95 ea |
| RBX462 | 86618417 | 1.5m | 23 | 83704 | \$ 28.95 ea |
| RBX462 | 86643381 | 1.8m | 27 | 83485 | \$ 28.95 ea |
| RBX462 | 86643381 | 2.0m | 31 | 83485 | \$ 28.95 ea |
| RBX463 | 86618417 | 1.5m | 23 | 83704 | \$ 28.95 ea |
| RBX463 | 86643381 | 1.8m | 27 | 83485 | \$ 28.95 ea |
| RBX463 | 86643381 | 2.0m | 31 | 83485 | \$ 28.95 ea |
| RBX552 | 87041202 | Standard | 23 | 83591 | \$ 28.95 ea |
| RBX552 | 86643381 | 2.0m | Outer 10 | 83485 | \$ 28.95 ea |
| - | 87055363 | - | Middle 21 | 83486 | \$ 28.95 ea |
| RBX553 | 87041202 | Standard | 23 | 83591 | \$ 28.95 ea |
| RBX561 | 87041202 | Standard | 23 | 83591 | \$ 28.95 ea |
| RBX562 | 87041202 | Standard | 23 | 83591 | \$ 28.95 ea |
| RBX562 | 86643381 | 2.0m | Outer 10 | 83485 | \$ 28.95 ea |
| - | 87055363 | - | Middle 21 | 83486 | \$ 28.95 ea |
| RBX563 | 87041202 | Standard | 23 | 83591 | \$ 28.95 ea |
| RBX563 | 86643381 | 2.0m | Outer 10 | 83485 | \$ 28.95 ea |
| - | 87055363 | - | Middle 21 | 83486 | \$ 28.95 ea |
| RB454 | 86618417 | 1.5m | 23 | 83704 | \$ 28.95 ea |
| RB454 | 86643381 | 1.8m | 27 | 83485 | \$ 28.95 ea |
| RB454 | 86643381 | 2.0m | 31 | 83485 | \$ 28.95 ea |
| RB455 | 84329282 | 1.8m | 27 | 83817 | \$ 28.95 ea |
| RB455 | 84329282 | 2.0m | 31 | 83817 | \$ 28.95 ea |
| RB464 | 86618417 | - | 23 | 83704 | \$ 28.95 ea |
| RB464 | 87041202 | 1.8m | 27 | 83485 | \$ 28.95 ea |
| RB464 | 86643381 | 2.0m | 31 | 83485 | \$ 28.95 ea |
| RB465 | 84329282 | 1.8m | 27 | 83817 | \$ 28.95 ea |
| RB465 | 84329282 | 2.0m | 31 | 83817 | \$ 28.95 ea |
| RB554 | 87041202 | Standard | 23 | 83591 | \$ 28.95 ea |
| RB564 | 86643381 | Standard | 23 | 83485 | \$ 28.95 ea |
| RB564 | 86643381 | 2.0m | Outer 10 | 83485 | \$ 28.95 ea |
| - | 87055363 | - | Middle 21 | 83486 | \$ 28.95 ea |
| RB565 | 84310057 | 2.0m | 31 | 83651 | \$ 28.95 ea |
| RB444 | 86619049 | Standard | 11 | 83589 | \$ 28.95 ea |

FOR NEW HOLLAND SQUARE BALER WITH STANDARD & PACKER CUTTER HEAD - Yellow

| MODEL | OEM | HEAD SIZE | QTY REQ | PART NO | RETAIL PRICE |
|---|--|-----------|---------|---------|--------------|
| 590, 595, BB940, BB960, BB9050, BB9060, BB9070, BB9080, 230, 330, 340 | 84801630 89837845 85005357 84214799 84274388 | - | - | 83481 | \$ 21.50 ea |

FOR NEW HOLLAND SQUARE BALER WITH ROTO CUTTER HEAD - Yellow

| MODEL | OEM | HEAD SIZE | QTY REQ | PART NO | RETAIL PRICE |
|---|----------------------------------|-----------|---------|---------|--------------|
| 230, 330, 340, 590, 590C, 595, BB940, BB960, BB9050, BB9060, BB9070, BB9080 | 84073435 84214794 84274385 | - | - | 83482 | \$ 21.50 ea |
| 276, 310, 311, 315, 316, 320, 326, 565, 568, 570, 575, 580, BC5050, BC5060, BC5070, BC5080 | 86635482 184550 | - | - | 83677 | \$ 28.95 ea |
| 585 | 86625272 | - | - | 83489 | \$ 28.95 ea |

All Poly Pickup Bands come complete with hardware for easy installation.

POLY PICKUP BANDS

HAY & FORAGE

| FOR NEW HOLLAND ROUND BALER - Yellow | | | | | |
|--------------------------------------|----------|-----------|-----------|---------|--------------|
| MODEL | OEM | HEAD SIZE | QTY REQ | PART NO | RETAIL PRICE |
| 630 | 86619048 | Standard | 17 | 83586 | \$ 28.95 ea |
| 634 | 86619048 | Standard | 11 | 83586 | \$ 28.95 ea |
| 638 | 86619048 | Standard | 11 | 83586 | \$ 28.95 ea |
| 640 | 86618414 | Wide | 23 | 83703 | \$ 28.95 ea |
| 640 | 86619048 | Standard | 23 | 83586 | \$ 28.95 ea |
| 644 | 86618414 | Wide | 23 | 83703 | \$ 28.95 ea |
| 644 | 86637149 | Standard | 17 | 83587 | \$ 28.95 ea |
| 648 | 86618414 | Wide | 23 | 83703 | \$ 28.95 ea |
| 648 | 86637149 | Standard | 17 | 83587 | \$ 28.95 ea |
| 650 | 86618414 | Wide | 23 | 83703 | \$ 28.95 ea |
| 650 | 86619048 | Standard | 23 | 83586 | \$ 28.95 ea |
| 654 | 86618414 | Wide | 23 | 83703 | \$ 28.95 ea |
| 654 | 86637149 | Standard | 17 | 83587 | \$ 28.95 ea |
| 658 | 86618414 | Wide | 23 | 83703 | \$ 28.95 ea |
| 658 | 86637149 | Standard | 17 | 83587 | \$ 28.95 ea |
| 660 | 86619048 | Standard | 23 | 83586 | \$ 28.95 ea |
| 664 | 86637149 | Standard | 23 | 83587 | \$ 28.95 ea |
| 678 | 86637149 | Standard | 23 | 83587 | \$ 28.95 ea |
| 688 | 86637149 | Standard | 23 | 83587 | \$ 28.95 ea |
| BR7050 | 86619048 | Standard | 17 | 83586 | \$ 28.95 ea |
| BR7060 | 86619048 | Standard | 17 | 83586 | \$ 28.95 ea |
| BR7060 | 86618414 | 1.5m Wide | 23 | 83703 | \$ 28.95 ea |
| BR7060 | 86643380 | 1.8m | Outer 10 | 83487 | \$ 28.95 ea |
| BR7060 | 87055364 | - | Middle 21 | 83488 | \$ 28.95 ea |
| BR7060 | 86643380 | 2.0m | 31 | 83487 | \$ 28.95 ea |
| BR7070 | 86618414 | 1.5m Wide | 23 | 83703 | \$ 28.95 ea |
| BR7070 | 86643380 | 1.8m | Outer 10 | 83487 | \$ 28.95 ea |
| BR7070 | 87055364 | - | Middle 21 | 83488 | \$ 28.95 ea |
| BR7070 | 86643380 | 2.0m | 31 | 83487 | \$ 28.95 ea |
| BR7080 | 87041203 | Standard | 23 | 83588 | \$ 28.95 ea |
| BR7090 | 87041203 | Standard | 23 | 83588 | \$ 28.95 ea |
| BR7090 | 86643380 | 2.0m x.s. | Outer 10 | 83487 | \$ 28.95 ea |
| BR7090 | 87055364 | - | Middle 21 | 83488 | \$ 28.95 ea |
| BR730 | 86619048 | Standard | 17 | 83586 | \$ 28.95 ea |
| BR730A | 86637149 | Standard | 17 | 83587 | \$ 28.95 ea |
| BR730A | 86619048 | Standard | 17 | 83586 | \$ 28.95 ea |
| BR740 | 86512793 | Standard | 17 | 83587 | \$ 28.95 ea |
| BR740 | 86618414 | 1.5m Wide | 23 | 83703 | \$ 28.95 ea |
| BR740 | 86643380 | 1.8m x.s. | Outer 10 | 83487 | \$ 28.95 ea |
| BR740 | 87055364 | - | Middle 17 | 83488 | \$ 28.95 ea |
| BR740 | 86643380 | 2.0m | 31 | 83487 | \$ 28.95 ea |
| BR740A | 86512793 | Standard | 17 | 83587 | \$ 28.95 ea |
| BR740A | 86618414 | 1.5m Wide | 23 | 83703 | \$ 28.95 ea |
| BR740A | 86643380 | 1.8m x.s. | Outer 10 | 83487 | \$ 28.95 ea |
| BR740A | 87055364 | - | Middle17 | 83488 | \$ 28.95 ea |
| BR740A | 86643380 | 2.0m | 31 | 83487 | \$ 28.95 ea |
| BR750 | 86618414 | 1.5m Wide | 23 | 83703 | \$ 28.95 ea |
| BR750 | 86643380 | 1.8m x.s. | Outer 10 | 83487 | \$ 28.95 ea |
| BR750 | 87055364 | - | Middle 17 | 83488 | \$ 28.95 ea |
| BR750 | 86643380 | 2.0m | 31 | 83487 | \$ 28.95 ea |
| BR750A | 86618414 | 1.5m Wide | 23 | 83703 | \$ 28.95 ea |
| BR750A | 86643380 | 1.8m x.s. | Outer 10 | 83487 | \$ 28.95 ea |
| BR750A | 87055364 | - | Middle 17 | 83488 | \$ 28.95 ea |
| BR750A | 86643380 | 2.0m | 31 | 83487 | \$ 28.95 ea |

All Poly Pickup Bands come complete with hardware for easy installation.

POLY PICKUP BANDS

FOR NEW HOLLAND ROUND BALER - Yellow

| MODEL | OEM | HEAD SIZE | QTY REQ | PART NO | RETAIL PRICE |
|--------|----------|-----------|-----------|---------|--------------|
| BR770 | 87041203 | Standard | 23 | 83588 | \$ 28.95 ea |
| BR770A | 87041203 | Standard | 23 | 83588 | \$ 28.95 ea |
| BR780 | 87041203 | Standard | 23 | 83588 | \$ 28.95 ea |
| BR780 | 86643380 | 2.0m | 31 | 83487 | \$ 28.95 ea |
| BR780A | 87041203 | Standard | 23 | 83588 | \$ 28.95 ea |
| BR780A | 86643380 | 2.0m x.s. | Outer 10 | 83487 | \$ 28.95 ea |
| BR780A | 87055364 | - | Middle 21 | 83488 | \$ 28.95 ea |
| RB450 | 86618414 | 1.5m Wide | 23 | 83703 | \$ 28.95 ea |
| RB450 | 84329281 | 1.8m | 27 | 83839 | \$ 28.95 ea |
| RB450 | 84329281 | 2.0m | 31 | 83839 | \$ 28.95 ea |
| RB460 | 86618414 | 1.5m Wide | 23 | 83703 | \$ 28.95 ea |
| RB460 | 84329281 | 1.8m | 27 | 83839 | \$ 28.95 ea |
| RB460 | 84329281 | 2.0m | 31 | 83839 | \$ 28.95 ea |
| RB550 | 84310058 | 2.0m | 31 | 83649 | \$ 28.95 ea |
| RB560 | 84310058 | 2.0m | 31 | 83649 | \$ 28.95 ea |

FOR NEW HOLLAND SMALL SQUARE BALERS - Yellow

| MODEL | OEM | HEAD SIZE | QTY REQ | PART NO | RETAIL PRICE |
|--|----------|-----------|---------|---------|--------------|
| 27P, 29P, 707W, 717W, 770W, 790W, 880W, 890W, 900W, 919W3, 919W4, 990W | 86625272 | - | - | 83489 | \$ 28.95 ea |

FOR JOHN DEERE ROUND BALERS - Green

| MODEL | OEM | HEAD SIZE | QTY REQ | PART NO | RETAIL PRICE |
|--|-------------------------------|-----------|---------|---------|--------------|
| 330, 335, 375, 385, 430, 435, 447, 448, 449, 456, 458, 459, 466, 467, 468, 469, 535, 545, 546, 547, 550, 556, 558, 559, 560, 566, 567, 568, 569, 570, 572, 580, 582, 590, 592 | CC32669 E85043 FH311772 | - | - | 83478 | \$ 28.95 ea |
| Larger Outer 440 - 569 | FH311995 | - | - | 83845 | \$ 28.95 ea |
| Mega Wide Head Outer 3 | FH311994 E96760 | - | - | 83701 | \$ 28.95 ea |

FOR JOHN DEERE SELF-PROPELLED HARVESTER - Yellow

| MODEL | OEM | HEAD SIZE | QTY REQ | PART NO | RETAIL PRICE |
|--|-------------------------------|-----------|---------|---------|--------------|
| 630A, 640A, 645A, 630B, 640B, 645B, 630C, 640C, 645C | CC32669 E85043 FH311772 | - | - | 83479 | \$ 28.95 ea |

FOR MASSEY FERGUSON BALERS - Gray

| MODEL | OEM | HEAD SIZE | QTY REQ | PART NO | RETAIL PRICE |
|---|-------------------------------|---------------------------|---------|---------|-------------------|
| Square: 2150, 2170, 2190, 2250, 2270, 2290 | Round: 700141909 700189742 | 2846, 2856, 2946, 2956 | - | - | 83569 \$ 28.95 ea |

FOR AGCO BALERS - Gray

| MODEL | OEM | HEAD SIZE | QTY REQ | PART NO | RETAIL PRICE |
|---|-------------------|-----------|---------|------------------------|---------------|
| Square: 2150, 2170, 2190, 2250, 2270, 2290 | Round: RB46, RB56 | | | 700141909 700189742 | - \$ 28.95 ea |

FOR CHALLENGER SQUARE BALERS - Gray

| MODEL | OEM | HEAD SIZE | QTY REQ | PART NO | RETAIL PRICE |
|------------------------------|------------------------|-----------|---------|---------|--------------|
| 7433, 7434, 7444, 7423, 7424 | 700141909 700189742 | - | - | 83569 | \$ 28.95 ea |

FOR HESSTON, NEW IDEA, CHALLENGER SQUARE BALER - Black

| MODEL | OEM | HEAD SIZE | QTY REQ | PART NO | RETAIL PRICE |
|---------------------------------------|-----------|-----------|---------|---------|--------------|
| Hesston: 4690, 4750, 4755, 4760, 4790 | 700129658 | - | - | 83480 | \$ 28.95 ea |
| New Idea: 7233, 7234, 7333 | | | | | |
| Challenger: LB33, LB34, LB44 | | | | | |

All Poly Pickup Bands come complete with hardware for easy installation.

HAY MERGER STRIPPER BANDS

FOR KUHN MERGERS - Black

| MODEL | OEM | HEAD SIZE | PART NO | RETAIL PRICE |
|-------------------|----------|-----------|---------|--------------|
| Merge Maxx Series | 76003790 | Any | 84872 | \$ 26 ea |

FOR OXBO MERGERS - Black

| MODEL | OEM | HEAD SIZE | PART NO | RETAIL PRICE |
|------------------------|--------|-----------|---------|--------------|
| 2114, 2228, 2334, 2340 | 236368 | Any | 84938 | \$ 20 ea |

Reuse your OEM hardware.

A COST EFFECTIVE REPLACEMENT COMPARED TO OEM



HAY & FORAGE

HAY MERGER SKID SHOES

FOR KUHN MERGERS - 1/2" THICK

| MODEL | OEM | HEAD SIZE | SIZE | PART NO | RETAIL PRICE |
|------------------------------------|----------|-----------|-----------|---------|--------------|
| Merge Maxx Reuse your OEM hardware | K8405190 | Any | 14" x 30" | 84890 | \$ 124 ea |
| Merge Maxx Reuse your OEM hardware | K8407650 | Any | 22" x 30" | 84881 | \$ 152 ea |

FOR OXBO MERGERS - 3/8" THICK

| MODEL | OEM | HEAD SIZE | SIZE | PART NO | RETAIL PRICE |
|---|--------|-----------|--------------|---------|--------------|
| 2114, 2228, 2334, 2340 Hardware included (nuts and bolts) | 219736 | Any | 9.8" x 31.9" | 84946 | \$ 58 ea |
| 2114, 2228, 2334, 2340 Hardware included (nuts and bolts) | 231117 | Any | 6.6" x 16.5" | 84947 | \$ 23 ea |



EXTEND THE LIFE OF YOUR MERGER EQUIPMENT

Durable UHMW Skid Shoes
Protect OEM Metal Skid Plates
Predrilled & Counterbored
Holes Protect Hardware
Machine Cut for a Precise Fit



HAY KNIFE

SIMPLE BALE WRAP REMOVAL

- Cuts twine, mesh, plastic wrap, feed bags, and more
- Loosens frozen or embedded twine
- Hook blades grab the wanted material and preserve the blade
- Suitable for standard utility blades
- 30" length extends your reach

83947 - \$ 32.50 ea



FAQ VIDEO

SCAN ME



RUBBER MOLDED RAKE & BALER TEETH

BLACK TALON



- Reduce Bent Teeth with Flexible Rubber Rake Teeth
- Decrease Leaf Loss
- Reduce Downtime
- Reduce Replacement Costs

Installation Video

SCAN ME



Rubber Tooth FOR New Holland Baler



| MODEL | PART NO |
|--|--------------------|
| Fits Most New Holland Hay Heads and Baler Models | 83999 |
| OEM | RETAIL PRICE |
| New Holland 84404537 | \$ 14.95 ea |

Rubber Tooth FOR Vermeer Balers



| MODEL | PART NO |
|--|--------------------|
| Vermeer 504M, 554XL, 604M, 604 Super M, 604N, 605M, 605 Super M, 6055M | 83945 |
| OEM | RETAIL PRICE |
| Vermeer 27997051, 27997052 | \$ 11.00 ea |

Rubber Tooth FOR New Holland Baler



| MODEL | PART NO |
|--|-------------------|
| New Holland 340, 345, 346, 350, 355, 356, 365, 366, 585, 990, BB900P, BB940P, BB940R, BB940S, BB940AR, BB960R, BB960S, BB960AR, BR7060, BR7070, BR7090 | 83943 |
| OEM | RETAIL PRICE |
| New Holland 9847572 | \$ 8.25 ea |

Rubber Tooth FOR Vermeer Baler



| MODEL | PART NO |
|--|--------------------|
| Vermeer 504M, 554XL, 604M, 604 Super M, 604N, 605M, 605N, 605 Super M, 6055M | 83944 |
| OEM | RETAIL PRICE |
| Vermeer 27997061, 27997062 | \$ 12.50 ea |

Rubber Tooth FOR Vermeer Balers



| MODEL | PART NO |
|--|-------------------|
| Fits Most Vermeer Baler Models Massey Ferguson 1440, 1455, 1550, 1565 | 83942 |
| OEM | RETAIL PRICE |
| Vermeer 27997-001 Massey Ferguson 1059176M1 | \$ 7.10 ea |

Rubber Tooth FOR Vermeer Twin Rake



| MODEL | PART NO |
|--------------------|-------------------|
| Fits Vermeer R2800 | 83938 |
| OEM | RETAIL PRICE |
| Vermeer 510501250 | \$ 5.45 ea |

Rubber Rake Tooth



| MODEL | PART NO |
|---|-------------------|
| John Deere 700, 705 Vermeer R-9, R-21, R-23A, R-24, R-24A | 83933 |
| OEM | RETAIL PRICE |
| John Deere AE56204 Vermeer 2888-001 | \$ 4.15 ea |

RUBBER MOLDED RAKE & BALER TEETH

HAY & FORAGE

Rubber Rake Tooth FOR John Deere



| MODEL | PART NO |
|--|-------------------|
| John Deere 70, 71, 640, 650, 652, 660, 662, 670, 671, 672, 673, 896A | 83935 |
| OEM | RETAIL PRICE |
| John Deere AE24953, AE47389 | \$ 4.35 ea |

Rubber Tooth for Heath Windrowers



| MODEL | PART NO |
|----------------------------------|-------------------|
| Fits Most Heath Windrower Models | 83937 |
| OEM | RETAIL PRICE |
| Heath 806-001 | \$ 6.75 ea |

Rubber Double Rake Tooth



| MODEL | PART NO |
|---|-------------------|
| John Deere Circle C Darf Farmhand H&S Morrill New Idea Pequea | 83930 |
| OEM | RETAIL PRICE |
| John Deere 2117RH, 400341, 491478 | \$ 9.05 ea |

Rubber Tooth for Bean Windrowers & Ford Balers



| MODEL | PART NO |
|--|-------------------|
| Ford 562, 542 Henry: Fits Most Lockwood-Innes: Fits Most Picket: Fits Most Pre-1997 & Four Bar Windrowers 1997 to Present | 83936 |
| OEM | RETAIL PRICE |
| Ford 7500630 Henry H60003 Lockwood-Innes 504-055 Picket 106000 | \$ 6.65 ea |

SILVER SERIES: Rubber Rake Tooth- LH



| MODEL | PART NO |
|---|-------------------|
| New Holland 216, 258 with Left-Hand Hook, 259 Rolabar Rake Allen Models with Left-Hand Rakes | 83941 |
| OEM | RETAIL PRICE |
| New Holland 65668, 850613 | \$ 2.85 ea |

SILVER SERIES: Rubber Rake Tooth- RH



| MODEL | PART NO |
|---|-------------------|
| New Holland 216, 258 with Right-Hand Hook 260 Rolabar Rake Allen Models Right-Hand Rakes | 83940 |
| OEM | RETAIL PRICE |
| New Holland 139041, 850614 | \$ 2.85 ea |

GOLD SERIES: Rubber Rake Tooth- LH



| MODEL | PART NO |
|--|-------------------|
| New Holland 216, 258 with Left-Hand Hook 259 Rolabar Rake Allen Models with Left-Hand Rakes | 83932 |
| OEM | RETAIL PRICE |
| New Holland 65668, 850613 | \$ 3.90 ea |

GOLD SERIES: Rubber Rake Tooth- RH



| MODEL | PART NO |
|---|-------------------|
| New Holland 216, 258 with Right-Hand Hook, 259 Rolabar Rake Allen Models with Right-Hand Rakes | 83934 |
| OEM | RETAIL PRICE |
| New Holland 139041, 850614 | \$ 3.85 ea |

SILVER SERIES: Universal Rubber Rake Tooth



| MODEL | PART NO |
|--|-------------------|
| Fits most Round Bar and Parallel Bar Rakes with 1 5/8" Bar* John Deere 54, 64, 74, 350, 350A, 640, 650, 652, 660, 662, 670, 671, 673, 851, 858A, 894, 894A, 896, 896A New Holland 55, 56, 57, 256 <i>*Not for use on models with vertical mounting studs.</i> | 83939 |
| OEM | RETAIL PRICE |
| New Holland 65609, 850612 John Deere AE24953, AE47389 | \$ 2.70 ea |

GOLD SERIES: Universal Rubber Rake Tooth



| MODEL | PART NO |
|--|-------------------|
| Fits most Round Bar and Parallel Bar Rakes with 1 5/8" Bar* John Deere 54, 64, 74, 350, 350A, 640, 650, 652, 660, 662, 670, 671, 673, 851, 858A, 894, 894A, 896, 896A New Holland 55, 56, 57, 256 <i>*Not for use on models with vertical mounting studs.</i> | 83931 |
| OEM | RETAIL PRICE |
| New Holland 65609, 850612 John Deere AE24953, AE47389 | \$ 3.35 ea |

BALER LINERS

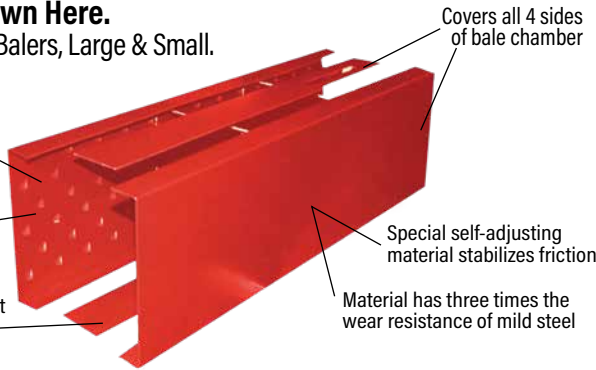
Now Available from May Wes! BaleSkiis® Baler Liners!

Small Model Shown Here.
Made for all Square Balers, Large & Small.

One way anti-springback pattern machined full length of liner

Pattern keeps hay compressed even when plunger retracts

Non-stick properties prevent bale-chamber buildup



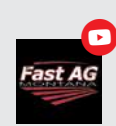
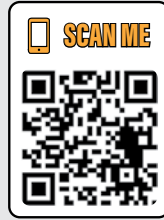
Covers all 4 sides of bale chamber

Special self-adjusting material stabilizes friction

Material has three times the wear resistance of mild steel

INSTALLATION VIDEO

Case IH LB434



Featuring
**Fast Ag
Montana**



HOW DOES IT WORK?

The BaleSkiis® Baler Liner covers the bale-forming chamber with a specially designed, self-adjusting material and an anti-springback pattern machined into the product uniformly compresses the hay and keeps it compressed when the baler plunger retracts. This ensures a constant uniform movement and compression of hay through the bale chamber. This means that the hay is not moving back and forth in the chamber breaking leaves off stems.

- Puts more high protein leaves in the bale - not on the ground.
- Puts more pounds per acre in the bale - not on the ground.
- Reduces the amount of tension in your bale chamber.
- Stops bale chamber plugging & buildup.
- Eliminates wear on your bale chamber.
- Reduces horsepower and fuel consumption.

| FOR CASE IH SQUARE BALERS - SMALL | | |
|--|---------|--------------|
| MODEL | PART NO | RETAIL PRICE |
| Case IH 8545 | 83950 | \$ 1190 ea |
| Case IH SB521 | 83968 | \$ 1190 ea |
| Case IH SB531 | 83969 | \$ 1190 ea |
| Case IH SBX541C | 83970 | \$ 1255 ea |
| Case IH SBX541 | 83971 | \$ 1190 ea |
| Case IH SBX520, SBX530, SBX540 | 83972 | \$ 1190 ea |
| Case IH SBX541 Extension Chamber | 83974 | \$ 1205 ea |
| Case IH SBX520, SBX530, SBX540 Extension Chamber | 83975 | \$ 1205 ea |

| FOR MASSEY FERGUSON SQUARE BALERS - SMALL | | |
|---|---------|--------------|
| MODEL | PART NO | RETAIL PRICE |
| Massey Ferguson 1843s, 1844s | 83953 | \$ 1405 ea |
| Massey Ferguson 1835, 1837 | 83957 | \$ 1190 ea |
| Massey Ferguson 1838 | 83958 | \$ 1190 ea |
| Massey Ferguson 1839 | 83959 | \$ 1190 ea |
| Massey Ferguson 1840 | 83960 | \$ 1255 ea |
| Massey Ferguson 1841 | 83961 | \$ 1405 ea |
| Massey Ferguson 1842 | 83962 | \$ 1405 ea |
| Massey Ferguson 9, 10, 12, 120, 124, 128, 130, 224, 228 | 83963 | \$ 1190 ea |

| FOR HESSTON SQUARE BALERS - SMALL | | |
|-----------------------------------|---------|--------------|
| MODEL | PART NO | RETAIL PRICE |
| Hesston 4590 | 83951 | \$ 1190 ea |
| Hesston 4600 | 83952 | \$ 1190 ea |
| Hesston 4690s | 83953 | \$ 1405 ea |

| FOR NEW HOLLAND SQUARE BALERS - SMALL | | |
|---|---------|--------------|
| MODEL | PART NO | RETAIL PRICE |
| New Holland 315 | 83964 | \$ 1190 ea |
| New Holland 316 | 83965 | \$ 1190 ea |
| New Holland 320 | 83966 | \$ 1190 ea |
| New Holland 326 | 83967 | \$ 1190 ea |
| New Holland 5050 | 83968 | \$ 1190 ea |
| New Holland 5060 | 83969 | \$ 1190 ea |
| New Holland 5070 Hayliner | 83970 | \$ 1255 ea |
| New Holland 5070 | 83971 | \$ 1190 ea |
| New Holland 560, 565, 570, 575 | 83972 | \$ 1190 ea |
| New Holland 68, 230, 268, 269, 270, 271, 272, 273, 275, 276, 277, 310, 311, 312 | 83973 | \$ 1190 ea |
| New Holland 5070 Extension Chamber | 83974 | \$ 1205 ea |
| New Holland 560, 565, 570, 575 Extension Chamber | 83975 | \$ 1205 ea |

| FOR JOHN DEERE SQUARE BALERS - SMALL | | |
|--|---------|--------------|
| MODEL | PART NO | RETAIL PRICE |
| John Deere 24T, 224, 327, 328, 336, 337, 338 | 83954 | \$ 1190 ea |
| John Deere 346, 347, 348 | 83955 | \$ 1190 ea |
| John Deere 468 | 83956 | \$ 1405 ea |

| FOR AGCO SQUARE BALERS - SMALL | | |
|--------------------------------|---------|--------------|
| MODEL | PART NO | RETAIL PRICE |
| AGCO 1843s, 1844s | 83953 | \$ 1405 ea |

BALESKIIS ARE AVAILABLE FOR ANY MAKE/MODEL OF SQUARE BALER.

BALER LINERS

HAY & FORAGE

| FOR CASE IH SQUARE BALERS - LARGE | | | HEAVY ADD-ON KIT * | |
|---|---------|--------------|--------------------|--------------|
| MODEL | PART NO | RETAIL PRICE | PART NO | RETAIL PRICE |
| Case IH 8575, 8570 | 83976 | \$ 2299 ea | 42770 | \$ 475 ea |
| Case IH LBX432 | 83977 | \$ 2435 ea | 42771 | \$ 520 ea |
| Case IH LBX433, LBX434S, LBX434R | 83978 | \$ 2435 ea | 42772 | \$ 520 ea |
| Case IH 8585 | 83982 | \$ 2435 ea | 42776 | \$ 520 ea |
| FOR NEW HOLLAND SQUARE BALERS - LARGE | | | HEAVY ADD-ON KIT * | |
| MODEL | PART NO | RETAIL PRICE | PART NO | RETAIL PRICE |
| New Holland 340 Plus "Heavy Material Only" | 83995 | \$ 3368 ea | NA | NA |
| New Holland BB940, BB9060, BB330 | 83996 | \$ 2299 ea | 42784 | \$ 475 ea |
| New Holland BB960, BB9040 | 83997 | \$ 2435 ea | 42785 | \$ 520 ea |
| New Holland BB960A, BB9080, BB340 | 83998 | \$ 2435 ea | 42786 | \$ 520 ea |
| FOR JOHN DEERE SQUARE BALERS - LARGE | | | HEAVY ADD-ON KIT * | |
| MODEL | PART NO | RETAIL PRICE | PART NO | RETAIL PRICE |
| John Deere L330 | 83983 | \$ 2299 ea | 42777 | \$ 475 ea |
| John Deere L340/341 | 83984 | \$ 2435 ea | 42778 | \$ 520 ea |
| FOR MASSEY FERGUSON SQUARE BALERS - LARGE | | | HEAVY ADD-ON KIT * | |
| MODEL | PART NO | RETAIL PRICE | PART NO | RETAIL PRICE |
| Massey 2170 | 83988 | \$ 2435 ea | 42780 | \$ 520 ea |
| Massey 2170XD. "Heavy Material Only" | 83989 | \$ 2955 ea | NA | NA |
| Massey 2190 | 83990 | \$ 2715 ea | 42781 | \$ 520 ea |
| Massey 2250 | 83991 | \$ 2299 ea | 42782 | \$ 475 ea |
| Massey 2270 | 83992 | \$ 2435 ea | 42783 | \$ 520 ea |
| Massey 2270XD "Heavy Material Only" | 83993 | \$ 3145 ea | NA | NA |
| Massey 2290 "Heavy Material Only" | 83994 | \$ 3463 ea | NA | NA |
| FOR HESSTON SQUARE BALERS - LARGE | | | HEAVY ADD-ON KIT * | |
| MODEL | PART NO | RETAIL PRICE | PART NO | RETAIL PRICE |
| Hesston 4790 | 83982 | \$ 2435 ea | 42776 | \$ 520 ea |
| Hesston 4755 | 83980 | \$ 2299 ea | 42774 | \$ 475 ea |
| Hesston 4760 | 83981 | \$ 2299 ea | 42775 | \$ 475 ea |
| FOR KRONE SQUARE BALERS - LARGE | | | HEAVY ADD-ON KIT * | |
| MODEL | PART NO | RETAIL PRICE | PART NO | RETAIL PRICE |
| Krone 1290 | 83985 | \$ 2435 ea | 42779 | \$ 520 ea |
| Krone 1290HDP "Heavy Material only" | 83986 | \$ 3368 ea | NA | NA |
| Krone Big Pack 1290 HDPII & XC. "Heavy Material Only" | 83987 | \$ 2435 ea | NA | NA |
| FOR CAT SQUARE BALERS - LARGE | | | HEAVY ADD-ON KIT * | |
| MODEL | PART NO | RETAIL PRICE | PART NO | RETAIL PRICE |
| Cat LB34 | 83982 | \$ 2435 ea | 42776 | \$ 520 ea |
| FOR CLAAS SQUARE BALERS - LARGE | | | HEAVY ADD-ON KIT * | |
| MODEL | PART NO | RETAIL PRICE | PART NO | RETAIL PRICE |
| Claas 5300 | 83979 | \$ 2435 ea | 42773 | \$ 520 ea |

*Heavy material kits are recommended for those baling in rough forage, and/or very abrasive soils and/or extreme temperatures.

Please contact us if your baler has other modifications or if you do not see your baler model listed here. BaleSkis are available for any make/model of square baler. Unless noted, all kits are available in heavy or regular material.

If you will be baling corn stalks, ask for the "Corn Kit" add-on, at no extra cost at the time of ordering.

Extra costs are incurred if ordered as a separate item later.

PREMIUM POLY SKID SHOES - HARDWARE INCLUDED

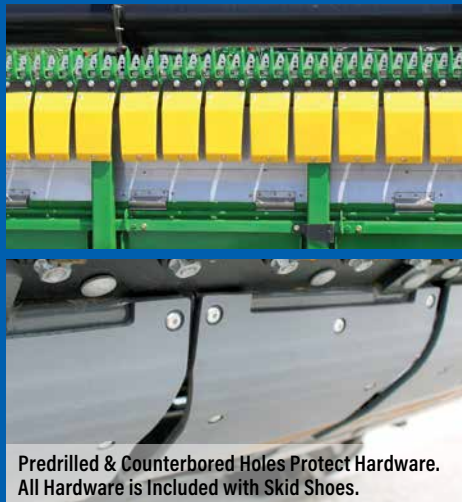


EXTEND THE LIFE OF YOUR HEAD AND PUT MORE CROP IN THE COMBINE.

FORMED TO FIT. PREDRILLED COUNTERBORED HOLES. HARDWARE INCLUDED.

Poly Skid Shoes prevent soil and debris build-up on the underside of your combine head. The smooth, slick surface allows you to run your head and cutterbar down as low as possible, leaving little to no crop in the field. Durable UHMW skid shoes protect your OEM metal skid plates, extending the life of your head.

MACHINE CUT FROM SOLID SHEETS OF UHMW POLY OR COMPRESSION MOLDED TO FIT YOUR HEAD.



Predrilled & Counterbored Holes Protect Hardware. All Hardware is Included with Skid Shoes.



Featured by Welker Farms. Scan the QR code to watch now.



CUTTERBAR SKID SHOES

Sold individually or in packs of 10. Reuse your OEM hardware.

Compatible Drapers

- Case IH
2162/2152/2142
- MacDon
FD1/FD/D
- New Holland
86C/83C/82C

SCAN ME



QUESTIONS?

Watch our Skid Shoe FAQ video.

Scan the QR code with your smartphone to watch our FAQ video on YouTube.

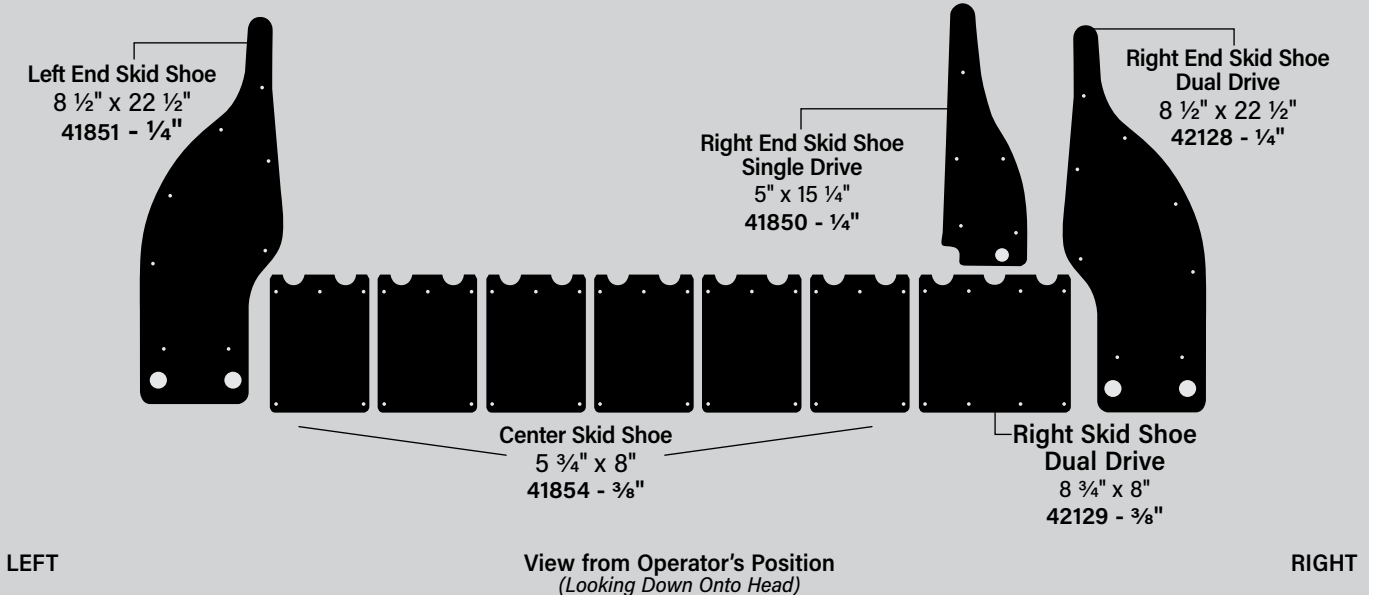
SCAN ME



PREMIUM POLY SKID SHOES - HARDWARE INCLUDED

SKID SHOES FOR CASE IH 3020 SERIES - 3/8" MOLDED & 1/4" THICK

PREDRILLED



KITS FOR CASE IH 3020 SERIES - 3/8" MOLDED & 1/4" THICK

| SET SIZE | SHOE THICKNESS | PD* | PART NO BLACK DUAL DRIVE | PART NO BLACK SINGLE DRIVE | RETAIL PRICE |
|----------|---------------------------------|-----|--------------------------|----------------------------|--------------|
| 35 ft | 3/8" Molded Centers & 1/4" Ends | PD | 83558 | 83314 | \$ 781 set |
| 30 ft | 3/8" Molded Centers & 1/4" Ends | PD | 83559 | 83315 | \$ 683 set |
| 25 ft | 3/8" Molded Centers & 1/4" Ends | PD | 83560 | 83316 | \$ 585 set |
| 20 ft | 3/8" Molded Centers & 1/4" Ends | PD | 83561 | 83317 | \$ 488 set |

NOTE: Center Skid Shoes are 3/8" thick molded. End Skid Shoes are 1/4" thick and are not molded.

REPLACEMENT PARTS FOR CASE IH 3020 SERIES - 3/8" MOLDED & 1/4" THICK

| DESCRIPTION | SHOE THICKNESS | SIZE | PD* | PART NO BLACK DUAL DRIVE | PART NO BLACK SINGLE DRIVE | RETAIL PRICE |
|---------------------|----------------|------------------|-----|--------------------------|----------------------------|--------------|
| Right End Skid Shoe | 1/4" | 5" x 15 1/4" | PD | - | 41850 | \$ 40 ea |
| Right End Skid Shoe | 1/4" | 8 1/2" x 22 1/2" | PD | 42128 | - | \$ 54 ea |
| Right Skid Shoe | 3/8" Molded | 8 3/4" x 8" | PD | 42129 | - | \$ 28 ea |
| Left Skid Shoe | 1/4" | 8 1/2" x 22 1/2" | PD | 41851 | 41851 | \$ 54 ea |
| Center Skid Shoe | 3/8" Molded | 5 3/4" x 8" | PD | 41854 | 41854 | \$ 19 ea |

*PD = Predrilled

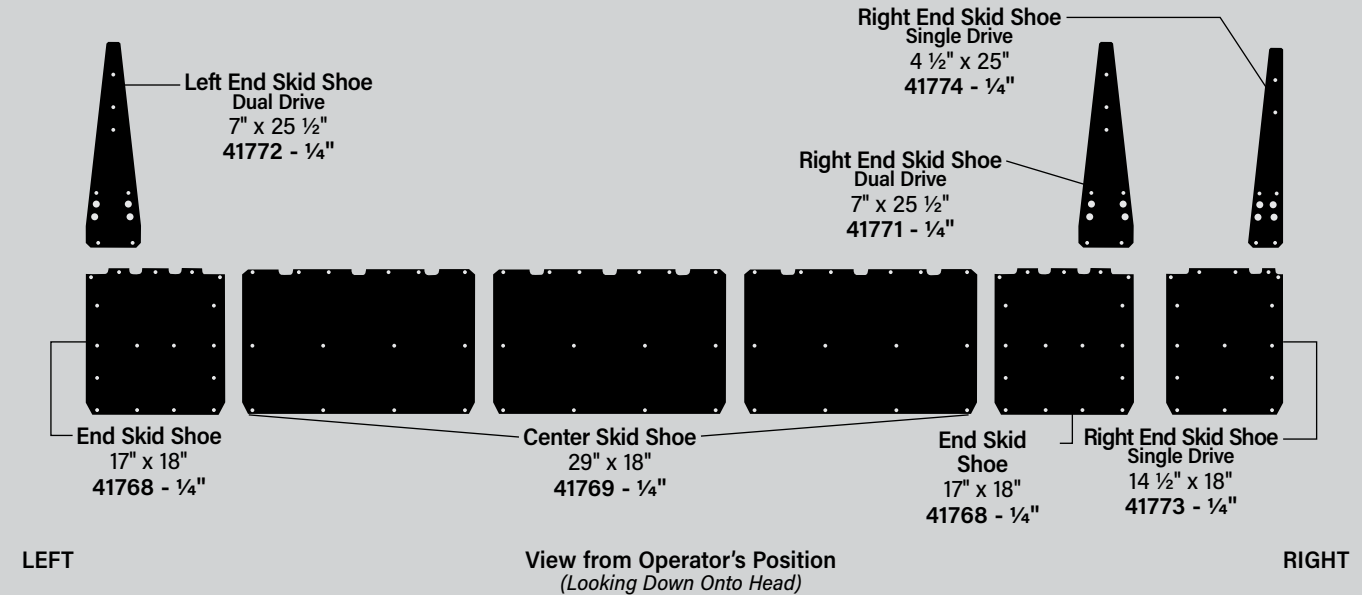
Hardware included = Size 86 Small Head Pop Rivets. Extra rivets can be purchased on page 149.

COMPRESSION MOLDED FOR IMPROVED DURABILITY.

PREMIUM POLY SKID SHOES - HARDWARE INCLUDED

SKID SHOES FOR CASE IH 2020 SERIES PIN: CBJ021301 & LATER, Y9ZL & YAZL - 1/4" THICK

PREDRILLED



KITS FOR CASE IH 2020 SERIES - PIN: CBJ021301 & LATER - 1/4" THICK

| SET SIZE | SHOE THICKNESS | PD* | PART NO BLACK DUAL DRIVE | PART NO BLACK SINGLE DRIVE | RETAIL PRICE |
|----------|----------------|-----|--------------------------|----------------------------|--------------|
| 35 ft | 1/4" | PD | 82918 | - | \$ 1265 set |
| 30 ft | 1/4" | PD | 82919 | - | \$ 1078 set |
| 25 ft | 1/4" | PD | 82920 | 82922 | \$ 913 set |
| 20 ft | 1/4" | PD | 82921 | 82923 | \$ 741 set |

REPLACEMENT PARTS FOR CASE IH 2020 SERIES - PIN: CBJ021301 & LATER - 1/4" THICK

| DESCRIPTION | SHOE THICKNESS | SIZE | PD* | PART NO BLACK DUAL DRIVE | PART NO BLACK SINGLE DRIVE | RETAIL PRICE |
|---------------------|----------------|---------------|-----|--------------------------|----------------------------|--------------|
| End Skid Shoe | 1/4" | 17" x 18" | PD | 41768 | 41768 | \$ 88 ea |
| Center Skid Shoe | 1/4" | 29" x 18" | PD | 41769 | 41769 | \$ 101 ea |
| Right End Skid Shoe | 1/4" | 14 1/2" x 18" | PD | - | 41773 | \$ 83 ea |
| Right End Skid Shoe | 1/4" | 4 1/2" x 25" | PD | - | 41774 | \$ 46 ea |
| Right End Skid Shoe | 1/4" | 7" x 25 1/2" | PD | 41771 | - | \$ 57 ea |
| Left End Skid Shoe | 1/4" | 7" x 25 1/2" | PD | 41772 | - | \$ 57 ea |

*PD = Predrilled

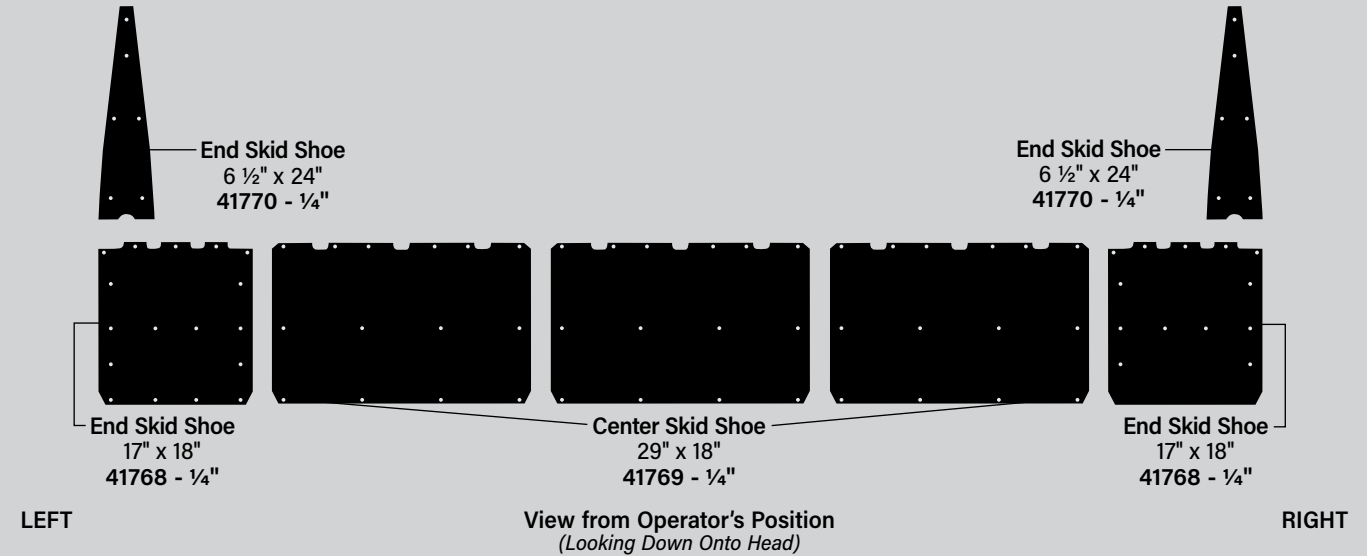
Hardware included = Size 86 Small Head Pop Rivets. Extra rivets can be purchased on page 149.



PREMIUM POLY SKID SHOES - HARDWARE INCLUDED

SKID SHOES FOR CASE IH 2020 SERIES PIN: CBJ020701 - CBJ021300 - 1/4" THICK

PREDRILLED



SKID SHOES

KITS FOR CASE IH 2020 SERIES - PIN: CBJ020701 - CBJ021300 - 1/4" THICK

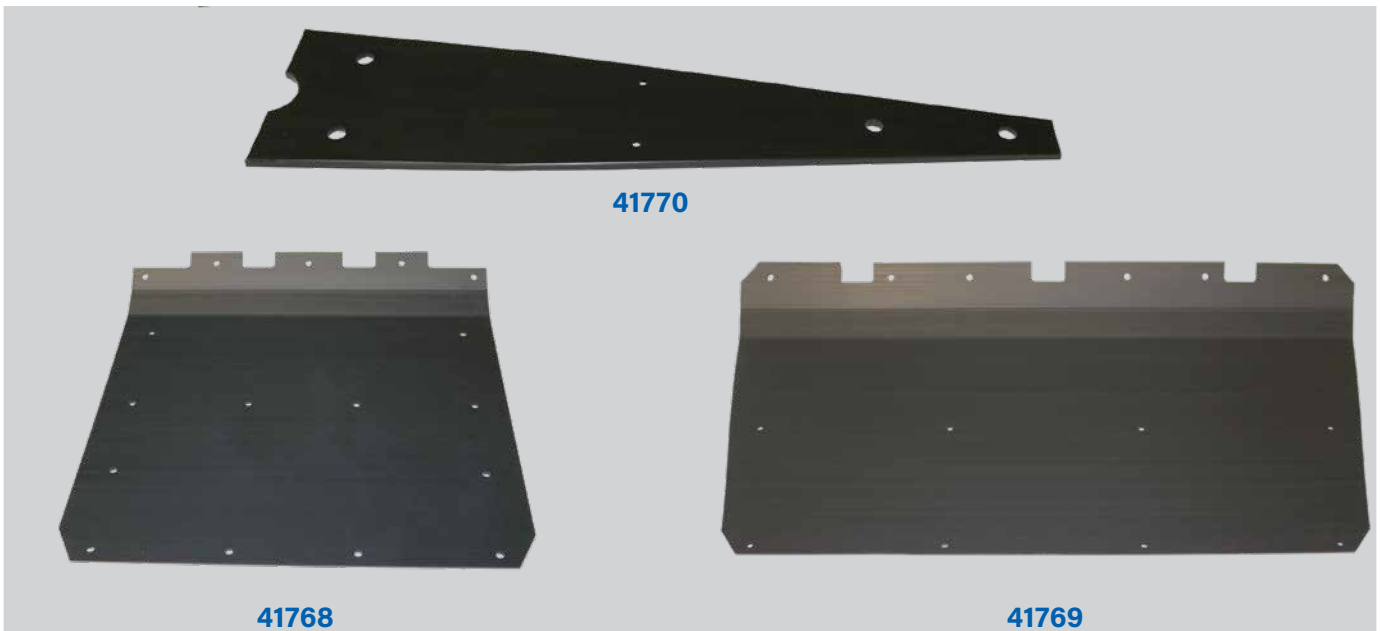
| SET SIZE | SHOE THICKNESS | PD* | PART NO BLACK | RETAIL PRICE |
|----------|----------------|-----|---------------|--------------|
| 30 ft | 1/4" | PD | 82915 | \$ 1078 set |
| 25 ft | 1/4" | PD | 82916 | \$ 913 set |
| 20 ft | 1/4" | PD | 82917 | \$ 741 set |

REPLACEMENT PARTS FOR CASE IH 2020 SERIES - PIN: CBJ020701 - CBJ021300 - 1/4" THICK

| DESCRIPTION | SHOE THICKNESS | PD* | SIZE | PART NO BLACK | RETAIL PRICE |
|------------------|----------------|-----|--------------|---------------|--------------|
| End Skid Shoe | 1/4" | PD | 17" x 18" | 41768 | \$ 88 ea |
| Center Skid Shoe | 1/4" | PD | 29" x 18" | 41769 | \$ 101 ea |
| End Shoe | 1/4" | PD | 6 1/2" x 24" | 41770 | \$ 50 ea |

*PD = Predrilled

Hardware included = Size 86 Small Head Pop Rivets. Extra rivets can be purchased on page 149.



PREMIUM POLY SKID SHOES - HARDWARE INCLUDED

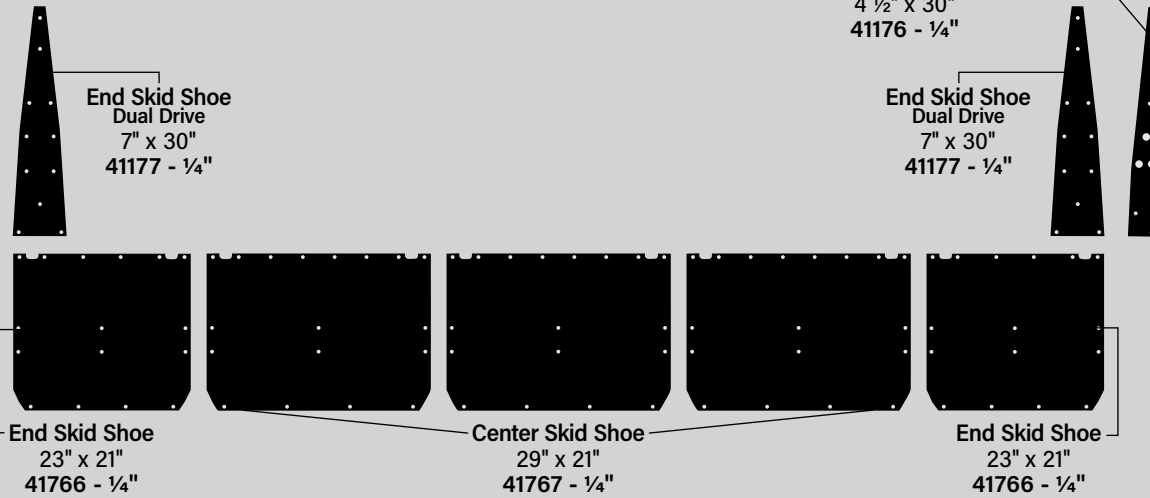
SKID SHOES FOR CASE IH 2020 SERIES PIN: CBJ020001 - CBJ020700 - 1/4" THICK

PREDRILLED

Right End Skid Shoe
Single Drive
4 1/2" x 30"
41176 - 1/4"

End Skid Shoe
Dual Drive
7" x 30"
41177 - 1/4"

End Skid Shoe
Dual Drive
7" x 30"
41177 - 1/4"



LEFT

View from Operator's Position
(Looking Down Onto Head)

RIGHT

KITS FOR CASE IH 2020 SERIES - PIN: CBJ020001 - CBJ020700 - 1/4" THICK

| SET SIZE | SHOE THICKNESS | PD* | PART NO BLACK | RETAIL PRICE |
|----------|----------------|-----|---------------|--------------|
| 30 ft | 1/4" | PD | 82911 | \$ 1075 set |
| 25 ft | 1/4" | PD | 82912 | \$ 913 set |
| 20 ft | 1/4" | PD | 82913 | \$ 741 set |

REPLACEMENT PARTS FOR CASE IH 2020 SERIES - PIN: CBJ020001 - CBJ020700 - 1/4" THICK

| DESCRIPTION | SHOE THICKNESS | PD* | SIZE | PART NO BLACK | RETAIL PRICE |
|-------------------------------------|----------------|-----|--------------|---------------|--------------|
| End Skid Shoe | 1/4" | PD | 23" x 21" | 41766 | \$ 87 ea |
| Center Skid Shoe | 1/4" | PD | 29" x 21" | 41767 | \$ 101 ea |
| End Skid Shoe Dual Drive | 1/4" | PD | 7" x 30" | 41177 | \$ 59 ea |
| Right End Skid Shoe Single Drive | 1/4" | PD | 4 1/2" x 30" | 41176 | \$ 45 ea |

*PD = Predrilled

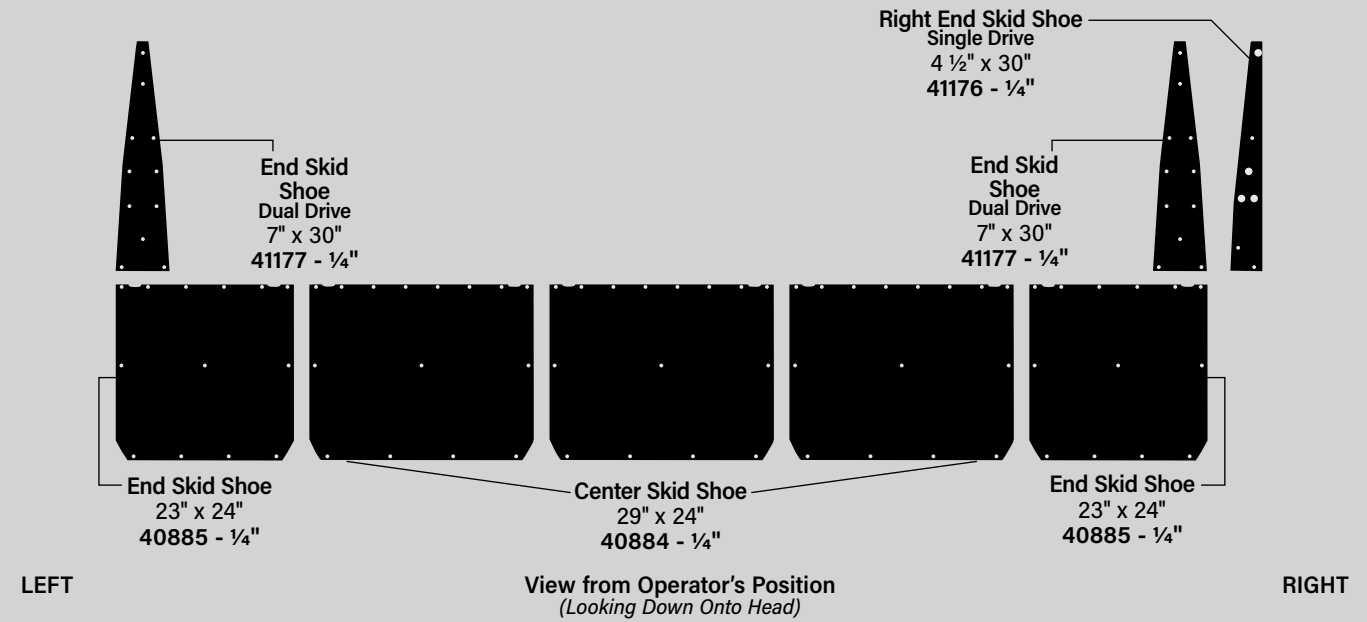
Hardware included = Size 86 Small Head Pop Rivets. Extra rivets can be purchased on page 149.



PREMIUM POLY SKID SHOES - HARDWARE INCLUDED

SKID SHOES FOR CASE IH 2020 SERIES PIN: BEFORE CBJ020001 INCLUDING ALL HAJ PIN'S - 1/4" THICK

PREDRILLED



KITS FOR CASE IH 2020 SERIES - PIN: BEFORE CBJ020001 INCLUDING ALL HAJ PIN'S - 1/4" THICK

| SET SIZE | SHOE THICKNESS | PD* | PART NO BLACK | RETAIL PRICE |
|----------|----------------|-----|---------------|--------------|
| 30 ft | 1/4" | PD | 82179 | \$ 1075 set |
| 25 ft | 1/4" | PD | 82180 | \$ 913 set |
| 20 ft | 1/4" | PD | 82183 | \$ 742 set |

REPLACEMENT PARTS FOR CASE IH 2020 SERIES - PIN: BEFORE CBJ020001 INCLUDING ALL HAJ PIN'S - 1/4" THICK

| DESCRIPTION | SHOE THICKNESS | PD* | SIZE | PART NO BLACK | RETAIL PRICE |
|-------------------------------------|----------------|-----|--------------|---------------|--------------|
| End Skid Shoe | 1/4" | PD | 23" x 24" | 40885 | \$ 89 ea |
| Center Skid Shoe | 1/4" | PD | 29" x 24" | 40884 | \$ 101 ea |
| End Skid Shoe Dual Drive | 1/4" | PD | 7" x 30" | 41177 | \$ 59 ea |
| Right End Skid Shoe Single Drive | 1/4" | PD | 4 1/2" x 30" | 41176 | \$ 45 ea |

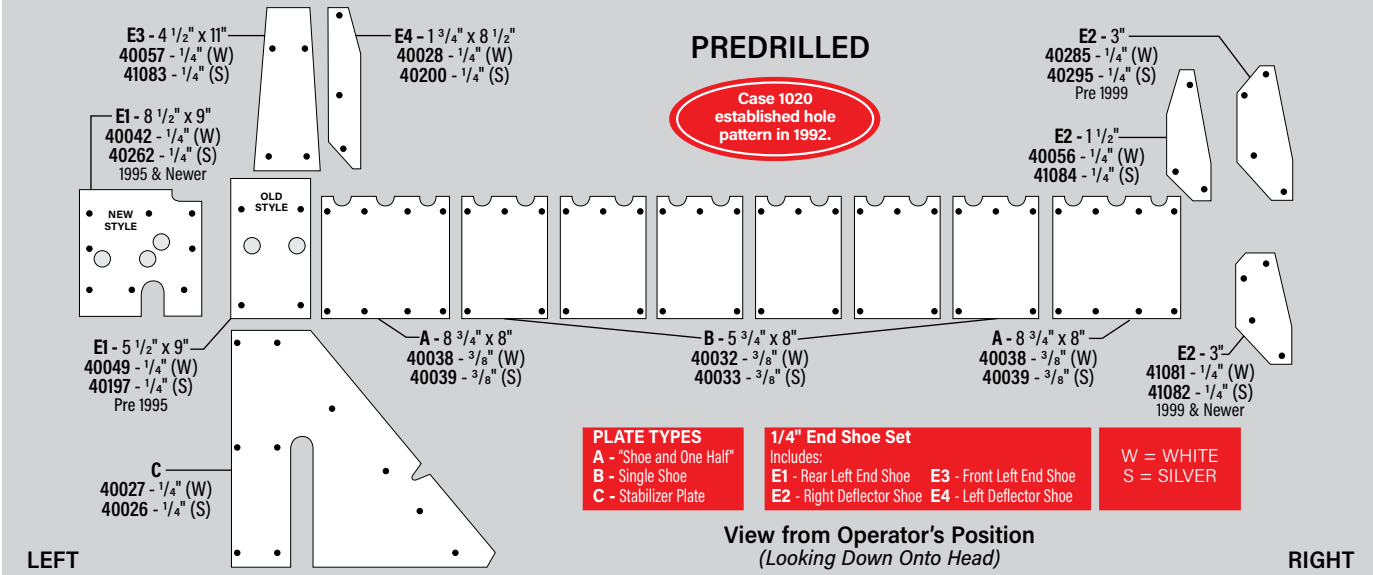
*PD = Predrilled

Hardware included = Size 86 Small Head Pop Rivets. Extra rivets can be purchased on page 149.



PREMIUM POLY SKID SHOES - HARDWARE INCLUDED

SKID SHOES FOR CASE IH 1020 SERIES 3/8" MOLDED & 1/4" THICK



KITS FOR CASE IH 1020 SERIES - 3/8" MOLDED & 1/4" THICK

| SET SIZE | SHOE THICKNESS | PD* | PART NO - SILVER | PART NO - WHITE | RETAIL PRICE |
|-----------|---------------------------------|-----|------------------|-----------------|--------------|
| 30 ft | 3/8" Molded Centers & 1/4" Ends | PD | 81741 | 81731 | \$ 721 set |
| 25 ft | 3/8" Molded Centers & 1/4" Ends | PD | 81740 | 81730 | \$ 649 set |
| 22 1/2 ft | 3/8" Molded Centers & 1/4" Ends | PD | 81739 | 81729 | \$ 601 set |
| 20 ft | 3/8" Molded Centers & 1/4" Ends | PD | 81738 | 81728 | \$ 553 set |
| 17 1/2 ft | 3/8" Molded Centers & 1/4" Ends | PD | 81737 | 81727 | \$ 505 set |
| 16 1/2 ft | 3/8" Molded Centers & 1/4" Ends | PD | 81736 | 81726 | \$ 456 set |
| 15 ft | 3/8" Molded Centers & 1/4" Ends | PD | 81735 | 81725 | \$ 410 set |

NOTE: Center Shoes (A & B) are 3/8" thick molded. ALL End Shoes are 1/4" and are not molded. Kits include End Shoe (E1) and both 1.5" and 3" Deflector Shoe (E2) for Pre-1995, 1995 & Newer models. *PD = Predrilled

REPLACEMENT PARTS FOR CASE IH 1020 SERIES - 3/8" MOLDED & 1/4" THICK

| DESCRIPTION | SHOE THICKNESS | PD*/UD** | SIZE | PART NO - SILVER | PART NO - WHITE | RETAIL PRICE |
|---|----------------|----------|---|------------------|-----------------|--------------|
| Set of 7 End Shoes | 1/4" | PD | E1, E2, E3, & E4 | 82105 | 80160 | \$ 90 ea |
| Shoe and One Half | 3/8" Molded | PD | (A) 8 3/4" x 8" | 40039 | 40038 | \$ 26 ea |
| Single Shoe | 3/8" Molded | PD | (B) 5 3/4" x 8" | 40033 | 40032 | \$ 17 ea |
| Rear Left Shoe - 1995 & Newer (Serial #JJC0215001 and up) | 1/4" | PD | (E1) 8 1/2" x 9" | 40262 | 40042 | \$ 34 ea |
| Rear Left End Shoe - Before 1995 | 1/4" | PD | (E1) 5 1/2" x 9" | 40197 | 40049 | \$ 23.50 ea |
| Right Deflector Shoe | 1/4" | PD | (E2) for 1 1/2" Knife | 41084 | 40056 | \$ 26 ea |
| Right Deflector Shoe | 1/4" | PD | (E2) for 3" Knife - Before 1999 | 40295 | 40285 | \$ 26 ea |
| Right Deflector Shoe | 1/4" | PD | (E2) for 3" Knife - 1999 & Newer | 41082 | 41081 | \$ 24.50 ea |
| Front Left End Shoe | 1/4" | PD | (E3) 11" x 4 1/2" | 41083 | 40057 | \$ 23.50 ea |
| Left Deflector Shoe | 1/4" | PD | (E4) 1 3/4" x 8 1/2" | 40200 | 40028 | \$ 21.50 ea |
| Stabilizer Plate | 1/4" | PD | (C) 20 1/2" x 18" | 40026 | 40027 | \$ 82 ea |
| Stabilizer Plate - Oversized | 1/4" | PD | (C) 30" x 30" | N/A | 41028 | \$ 94 ea |
| A-Frame Stabilizer Plate (Serial #3250000 & Up) (2 pieces) | 1/4" | PD | (C) | 82631 | 82630 | \$ 83 ea |
| Extended Skid Shoe | 1/4" | PD | 6" x 17 1/2" | N/A | 80133 | \$ 21.50 ea |

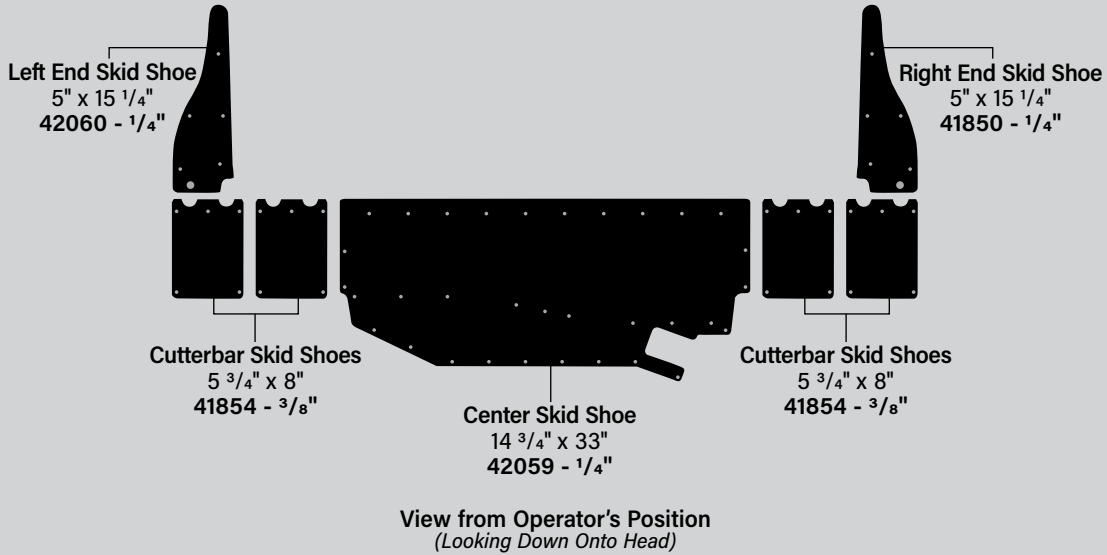
*PD = Predrilled **UD = Undrilled

Hardware included = Size 10-16 & 16-16 Pound Rivets. Extra rivets can be purchased on page 149.

PREMIUM POLY SKID SHOES - HARDWARE INCLUDED

SKID SHOES FOR CASE IH 3162 /3152 SERIES DRAPER
3/8" MOLDED & 1/4" THICK

PREDRILLED



KITS FOR CASE IH 3162 /3152 SERIES DRAPER - 3/8" & 1/4" THICK

| SET SIZE | SHOE THICKNESS | PD* | PART NO BLACK | RETAIL PRICE |
|----------|---|-----|---------------|--------------|
| 45 ft | 3/8" Molded Cutterbars & 1/4" Center/Ends | PD | 83476 | \$ 1173 set |
| 40 ft | 3/8" Molded Cutterbars & 1/4" Center/Ends | PD | 83475 | \$ 983 set |
| 35 ft | 3/8" Molded Cutterbars & 1/4" Center/Ends | PD | 83474 | \$ 856 set |
| 30 ft | 3/8" Molded Cutterbars & 1/4" Center/Ends | PD | 83473 | \$ 720 set |
| 25 ft | 3/8" Molded Cutterbars & 1/4" Center/Ends | PD | 83470 | \$ 613 set |

NOTE: Cutterbar Skid Shoes are 3/8" thick molded. Both Center and End Skid Shoes are 1/4" thick and are not molded.

REPLACEMENT PARTS FOR CASE IH 3162 /3152 SERIES DRAPER - 3/8" & 1/4" THICK

| DESCRIPTION | SHOE THICKNESS | PD* | SIZE | PART NO BLACK | RETAIL PRICE |
|---------------------|----------------|-----|---------------|---------------|--------------|
| Left End Skid Shoe | 1/4" | PD | 5" x 15 1/4" | 42060 | \$ 40 ea |
| Right End Skid Shoe | 1/4" | PD | 5" x 15 1/4" | 41850 | \$ 40 ea |
| Center Skid Shoe | 1/4" | PD | 14 3/4" x 33" | 42059 | \$ 123 ea |
| Cutterbar Skid Shoe | 3/8" Molded | PD | 5 3/4" x 8" | 41854 | \$ 19 ea |

*PD = Predrilled

Hardware included = 86 Small Head Pop Rivets. Extra rivets can be purchased on page 149.
Part 42059 (Center Skid Shoe) uses M6 Bolts.



PREMIUM POLY SKID SHOES - HARDWARE INCLUDED

SKID SHOES FOR CASE IH 2162 /2152 /2142 SERIES DRAPER - 3/8" THICK

THICKER than OEM

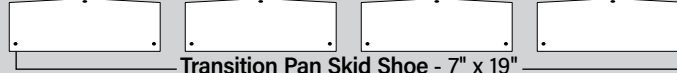
PREDRILLED

| Cutterbar Skid Shoe Qty Required | |
|----------------------------------|----------|
| HEAD WIDTH | QUANTITY |
| 30' | 60 |
| 35' | 70 |
| 40' | 80 |
| 45' | 90 |



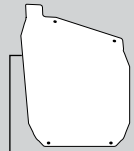
Cutterbar Skid Shoe - 6" x 6.5"
22723/83840 - 3/8"

(Order separately - NOT INCLUDED in kits)

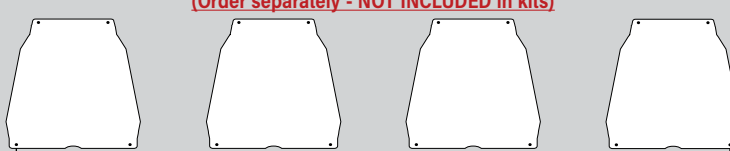


Transition Pan Skid Shoe - 7" x 19"
42061 - 3/8"

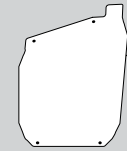
(Order separately - NOT INCLUDED in kits)



Left End Skid Shoe
11" x 15"
42054 - 3/8"



Center Skid Shoe
14" x 16"
42053 - 3/8"



Right End Skid Shoe
11" x 15"
42055 - 3/8"



Center Skid Shoe Assembly
14" x 16"
42319 - 3/8"
(Order separately - NOT INCLUDED in kits)

ORDER SEPARATELY - NOT INCLUDED IN KITS

DUE TO LARGE SIZE, ADDITIONAL SHIPPING FEE MAY APPLY

View from Operator's Position
(Looking Down Onto Head)

Draper Skid Plate
35 3/16" x 76 5/8"
42299 - 1/4"
Order separately - NOT INCLUDED in kits

LEFT

RIGHT

KITS FOR CASE IH 2162 /2152 /2142 SERIES DRAPER - 3/8" THICK

| SET SIZE | SHOE THICKNESS | PD* | PART NO - WHITE | RETAIL PRICE |
|----------|---------------------|-----|-----------------|--------------|
| 45 ft | 3/8" Centers & Ends | PD | 83490 | \$ 320 set |
| 40 ft | 3/8" Centers & Ends | PD | 83490 | \$ 320 set |
| 35 ft | 3/8" Centers & Ends | PD | 83490 | \$ 320 set |
| 30 ft | 3/8" Centers & Ends | PD | 83490 | \$ 320 set |

REPLACEMENT PARTS FOR CASE IH 2162 /2152 /2142 SERIES DRAPER - 3/8" THICK

| DESCRIPTION | SHOE THICKNESS | PD* | SIZE | PART NO - WHITE | RETAIL PRICE |
|--|----------------|-----|--------------------|-----------------|--------------|
| Left End Skid Shoe | 3/8" | PD | 11" x 15" | 42054 | \$ 56 ea |
| Right End Skid Shoe | 3/8" | PD | 11" x 15" | 42055 | \$ 56 ea |
| Center Skid Shoe | 3/8" | PD | 14" x 16" | 42053 | \$ 57 ea |
| Transition Pan Skid Shoe | 3/8" | PD | 7" x 19" | 42061 | \$ 41 ea |
| Center Skid Shoe Assembly <i>Sold Separately. Includes Metal Skid Plate, Poly Skid Shoe & Hardware.</i> | 3/8" | PD | 14" x 16" | 42319 | \$ 173 ea |
| Draper Skid Plate <i>Sold Separately</i> | 1/4" | PD | 35 3/16" x 76 5/8" | 42299 | \$ 354 ea |
| Cutterbar Skid Shoe <i>Sold Separately. Hardware not included. Reuse OEM hardware.</i> | 3/8" Molded | PD | 6" x 6 1/2" | 22723 | \$ 9.50 ea |
| Cutterbar Skid Shoe - 10pk <i>Sold Separately. Hardware not included. Reuse OEM hardware.</i> | 3/8" Molded | PD | 6" x 6 1/2" | 83840 | \$ 90 pk |

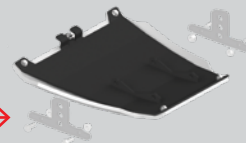
*PD = Predrilled Hardware included = Nuts & Bolts

Center Skid Shoe Assembly

14" x 16"
3/8" Thickness
42319 \$ 173

Includes Metal Skid Plate, Poly Skid Shoe & Mounting Hardware

Reuse your Factory OEM Mount Brackets for Installation



Questions? Scan the code to learn more.



PREMIUM POLY SKID SHOES - HARDWARE INCLUDED

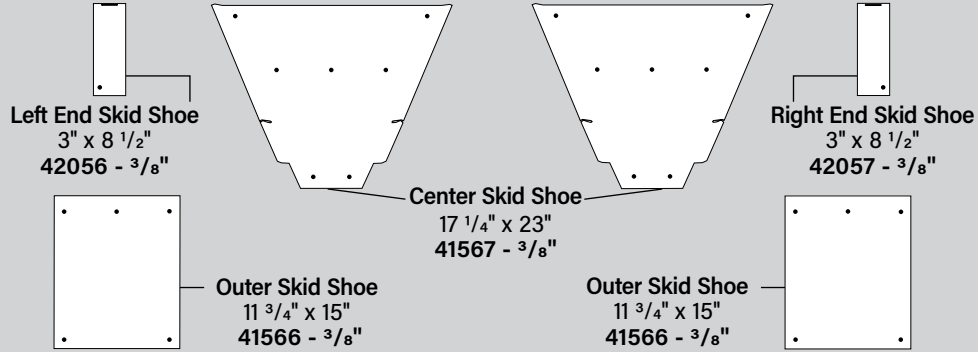
**SKID SHOES FOR CASE IH 2062 / 2052 SERIES DRAPER
2062 AFTER SERIAL #CCC0015328 / 2052 AFTER SERIAL #CCC0014710 - 3/8" THICK**

PREDRILLED

**THICKER
than OEM**



| Cutterbar Skid Shoe Qty Required | |
|----------------------------------|----------|
| HEAD WIDTH | QUANTITY |
| 30' | 60 |
| 35' | 70 |
| 40' | 80 |
| 45' | 90 |



LEFT

View from Operator's Position
(Looking Down Onto Head)

RIGHT

KITS FOR CASE IH 2062 SERIES DRAPER - AFTER SERIAL #CCC0015328 - 3/8" THICK

| SET SIZE | SHOE THICKNESS | PD* | PART NO - WHITE | RETAIL PRICE |
|----------|----------------|-----|-----------------|--------------|
| 36 ft | 3/8" | PD | 83502 | \$ 495 set |
| 30 ft | 3/8" | PD | 83502 | \$ 495 set |

KITS FOR CASE IH 2052 SERIES DRAPER - AFTER SERIAL #CCC0014710 - 3/8" THICK

| SET SIZE | SHOE THICKNESS | PD* | PART NO - WHITE | RETAIL PRICE |
|----------|----------------|-----|-----------------|--------------|
| 39 ft | 3/8" | PD | 83500 | \$ 367 set |
| 36 ft | 3/8" | PD | 83500 | \$ 367 set |
| 30 ft | 3/8" | PD | 83500 | \$ 367 set |
| 25 ft | 3/8" | PD | 83501 | \$ 203 set |
| 21 ft | 3/8" | PD | 83501 | \$ 203 set |

REPLACEMENT PARTS FOR CASE IH 2062 / 2052 SERIES DRAPER - AFTER SERIAL # BREAKS - 3/8" THICK

| DESCRIPTION | SHOE THICKNESS | PD* | SIZE | PART NO - WHITE | RETAIL PRICE |
|---------------------|----------------|-----|---------------|-----------------|--------------|
| Left End Skid Shoe | 3/8" | PD | 3" x 8 1/2" | 42056 | \$ 26 ea |
| Right End Skid Shoe | 3/8" | PD | 3" x 8 1/2" | 42057 | \$ 26 ea |
| Center Skid Shoe | 3/8" | PD | 17 1/4" x 23" | 41567 | \$ 73 ea |
| Outer Skid Shoe | 3/8" | PD | 11 3/4" x 15" | 41566 | \$ 36 ea |
| Cutterbar Skid Shoe | 3/8" Molded | PD | 6" x 6 1/2" | 22723 | \$ 9.50 ea |

Sold Separately. Hardware not included. Reuse OEM hardware.

| | | | | | |
|----------------------------|-------------|----|-------------|-------|----------|
| Cutterbar Skid Shoe - 10pk | 3/8" Molded | PD | 6" x 6 1/2" | 83840 | \$ 90 pk |
|----------------------------|-------------|----|-------------|-------|----------|

Sold Separately. Hardware not included. Reuse OEM hardware.

*PD = Predrilled Hardware included = Nuts & Bolts

Part 41567 (Center Skid Shoe) uses 68 Small Head Pop Rivets. Extra rivets can be purchased on page 149.

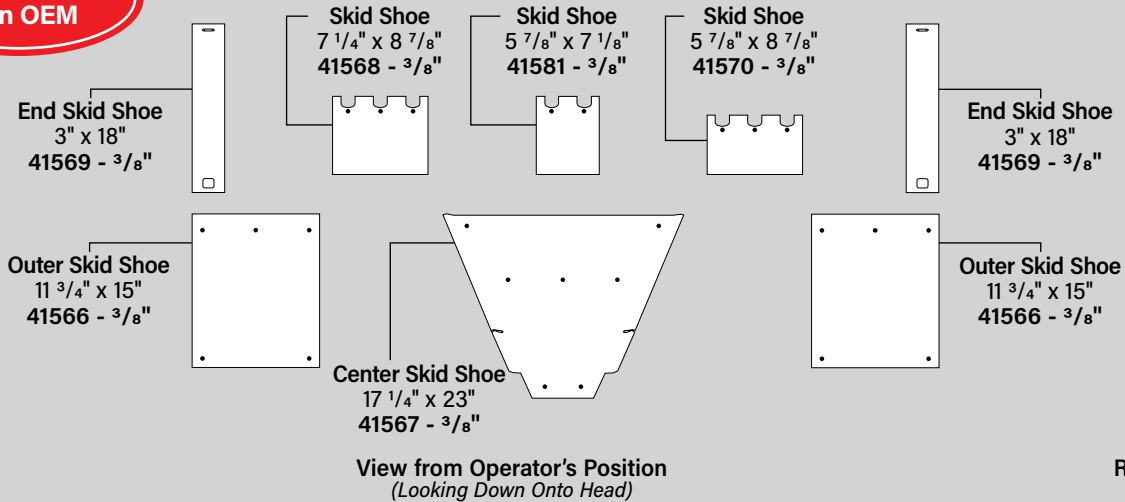


PREMIUM POLY SKID SHOES - HARDWARE INCLUDED

SKID SHOES FOR CASE IH 2062 / 2052 SERIES DRAPER 2062 BEFORE SERIAL #CCC0015328 / 2052 BEFORE SERIAL #CCC0014710 - 3/8" THICK

PREDRILLED

**THICKER
than OEM**



KITS FOR CASE IH 2062 SERIES DRAPER - BEFORE SERIAL #CCC0015328 - 3/8" THICK

| SET SIZE | SHOE THICKNESS | PD* | PART NO - WHITE | RETAIL PRICE |
|----------|----------------|-----|-----------------|--------------|
| 36 ft | 3/8" | PD | 82576 | \$ 1265 set |
| 30 ft | 3/8" | PD | 82577 | \$ 1163 set |

KITS FOR CASE IH 2052 SERIES DRAPER - BEFORE SERIAL #CCC0014710 - 3/8" THICK

| SET SIZE | SHOE THICKNESS | PD* | PART NO - WHITE | RETAIL PRICE |
|----------|----------------|-----|-----------------|--------------|
| 39 ft | 3/8" | PD | 83499 | \$ 1469 set |
| 36 ft | 3/8" | PD | 83498 | \$ 1183 set |
| 30 ft | 3/8" | PD | 83497 | \$ 1016 set |
| 25 ft | 3/8" | PD | 83496 | \$ 851 set |
| 21 ft | 3/8" | PD | 83495 | \$ 728 set |

REPLACEMENT PARTS FOR CASE IH 2062 / 2052 SERIES DRAPER - BEFORE SERIAL # BREAKS - 3/8" THICK

| DESCRIPTION | SHOE THICKNESS | PD* | SIZE | PART NO - WHITE | RETAIL PRICE |
|------------------|----------------|-----|-----------------|-----------------|--------------|
| End Skid Shoe | 3/8" | PD | 3" x 18" | 41569 | \$ 38 ea |
| Outer Skid Shoe | 3/8" | PD | 11 3/4" x 15" | 41566 | \$ 36 ea |
| Center Skid Shoe | 3/8" | PD | 17 1/4" x 23" | 41567 | \$ 73 ea |
| Skid Shoe | 3/8" | PD | 7 1/4" x 8 7/8" | 41568 | \$ 28 ea |
| Skid Shoe | 3/8" | PD | 5 7/8" x 7 1/8" | 41581 | \$ 26 ea |
| Skid Shoe | 3/8" | PD | 5 7/8" x 8 7/8" | 41570 | \$ 26 ea |

*PD = Predrilled

Hardware included = Nuts & Bolts

Parts 41567, 41568, 41581 and 41570 use 68 Small Head Pop Rivets. Extra rivets can be purchased on page 149.



5-FINGER QUICK TINES

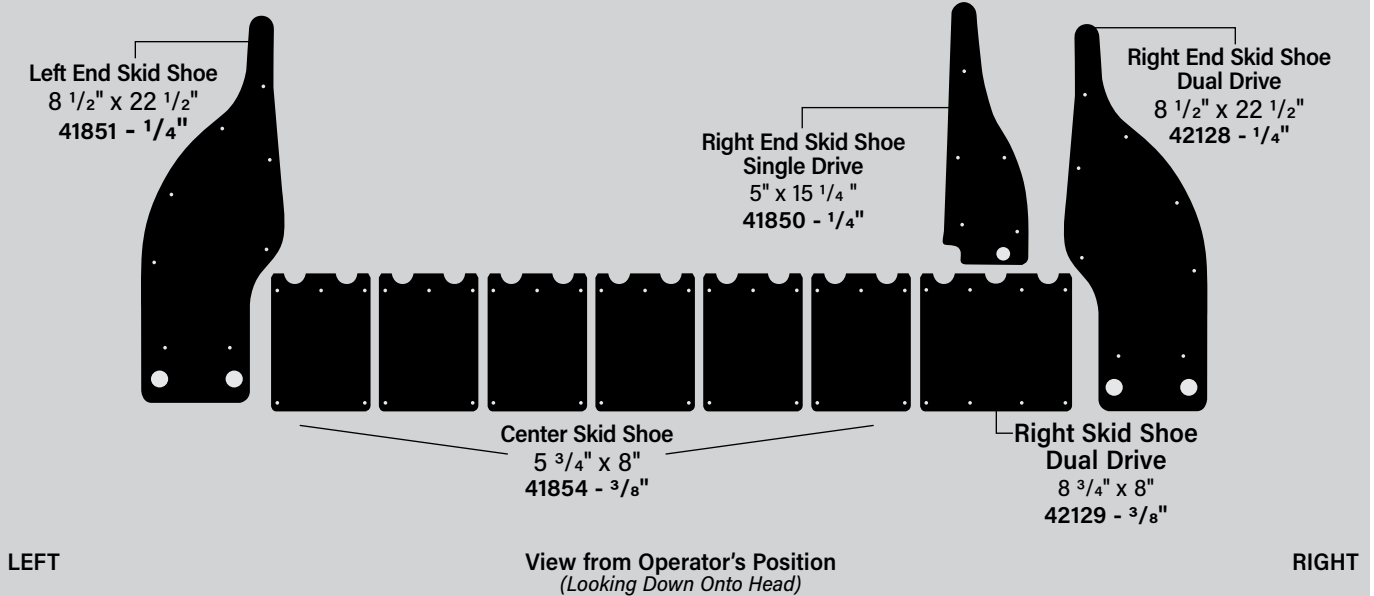
Put More Bushels
In Your Combine

Learn more on page 123

PREMIUM POLY SKID SHOES - HARDWARE INCLUDED

SKID SHOES FOR NEW HOLLAND 740CF SERIES 3/8" MOLDED & 1/4" THICK

PREDRILLED



KITS FOR NEW HOLLAND 740CF SERIES - 3/8" MOLDED & 1/4" THICK

| SET SIZE | SHOE THICKNESS | PD* | PART NO BLACK DUAL DRIVE | PART NO BLACK SINGLE DRIVE | RETAIL PRICE |
|----------|---------------------------------|-----|--------------------------|----------------------------|--------------|
| 35 ft | 3/8" Molded Centers & 1/4" Ends | PD | 83558 | 83314 | \$ 781 set |
| 30 ft | 3/8" Molded Centers & 1/4" Ends | PD | 83559 | 83315 | \$ 683 set |
| 25 ft | 3/8" Molded Centers & 1/4" Ends | PD | 83560 | 83316 | \$ 585 set |
| 20 ft | 3/8" Molded Centers & 1/4" Ends | PD | 83561 | 83317 | \$ 488 set |

NOTE: Center Skid Shoes are 3/8" thick molded. End Skid Shoes are 1/4" thick and are not molded.

REPLACEMENT PARTS FOR NEW HOLLAND 740CF SERIES - 3/8" MOLDED & 1/4" THICK

| DESCRIPTION | SHOE THICKNESS | SIZE | PD* | PART NO BLACK DUAL DRIVE | PART NO BLACK SINGLE DRIVE | RETAIL PRICE |
|---------------------|----------------|------------------|-----|--------------------------|----------------------------|--------------|
| Right End Skid Shoe | 1/4" | 5" x 15 1/4" | PD | - | 41850 | \$ 40 ea |
| Right End Skid Shoe | 1/4" | 8 1/2" x 22 1/2" | PD | 42128 | - | \$ 54 ea |
| Right Skid Shoe | 3/8" Molded | 8 3/4" x 8" | PD | 42129 | - | \$ 28 ea |
| Left Skid Shoe | 1/4" | 8 1/2" x 22 1/2" | PD | 41851 | 41851 | \$ 54 ea |
| Center Skid Shoe | 3/8" Molded | 5 3/4" x 8" | PD | 41854 | 41854 | \$ 19 ea |

*PD = Predrilled

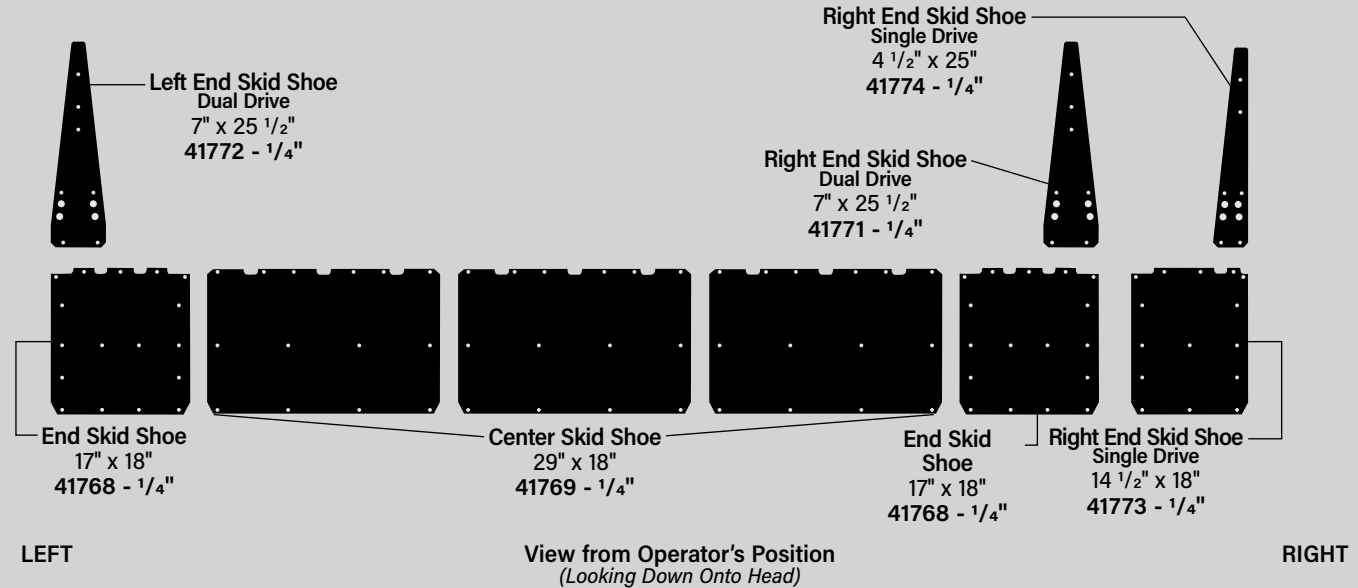
Hardware included = Size 86 Small Head Pop Rivets. Extra rivets can be purchased on page 149.



PREMIUM POLY SKID SHOES - HARDWARE INCLUDED

SKID SHOES FOR NEW HOLLAND 74C SERIES PIN: PNL018301 & LATER, Y9ZL & YAZL - 1/4" THICK

PREDRILLED



KITS FOR NEW HOLLAND 74C SERIES - PIN: PNL018301 & LATER - 1/4" THICK

| SET SIZE | SHOE THICKNESS | PD* | PART NO BLACK DUAL DRIVE | PART NO BLACK SINGLE DRIVE | RETAIL PRICE |
|----------|----------------|-----|--------------------------|----------------------------|--------------|
| 35 ft | 1/4" | PD | 82918 | - | \$ 1265 set |
| 30 ft | 1/4" | PD | 82919 | - | \$ 1078 set |
| 25 ft | 1/4" | PD | 82920 | 82922 | \$ 913 set |
| 20 ft | 1/4" | PD | 82921 | 82923 | \$ 741 set |

REPLACEMENT PARTS FOR NEW HOLLAND 74C SERIES - PIN: PNL018301 & LATER - 1/4" THICK

| DESCRIPTION | SHOE THICKNESS | SIZE | PD* | PART NO BLACK DUAL DRIVE | PART NO BLACK SINGLE DRIVE | RETAIL PRICE |
|---------------------|----------------|---------------|-----|--------------------------|----------------------------|--------------|
| End Skid Shoe | 1/4" | 17" x 18" | PD | 41768 | 41768 | \$ 88 ea |
| Center Skid Shoe | 1/4" | 29" x 18" | PD | 41769 | 41769 | \$ 101 ea |
| Right End Skid Shoe | 1/4" | 14 1/2" x 18" | PD | - | 41773 | \$ 83 ea |
| Right End Skid Shoe | 1/4" | 4 1/2" x 25" | PD | - | 41774 | \$ 46 ea |
| Right End Skid Shoe | 1/4" | 7" x 25 1/2" | PD | 41771 | - | \$ 57 ea |
| Left End Skid Shoe | 1/4" | 7" x 25 1/2" | PD | 41772 | - | \$ 57 ea |

*PD = Predrilled

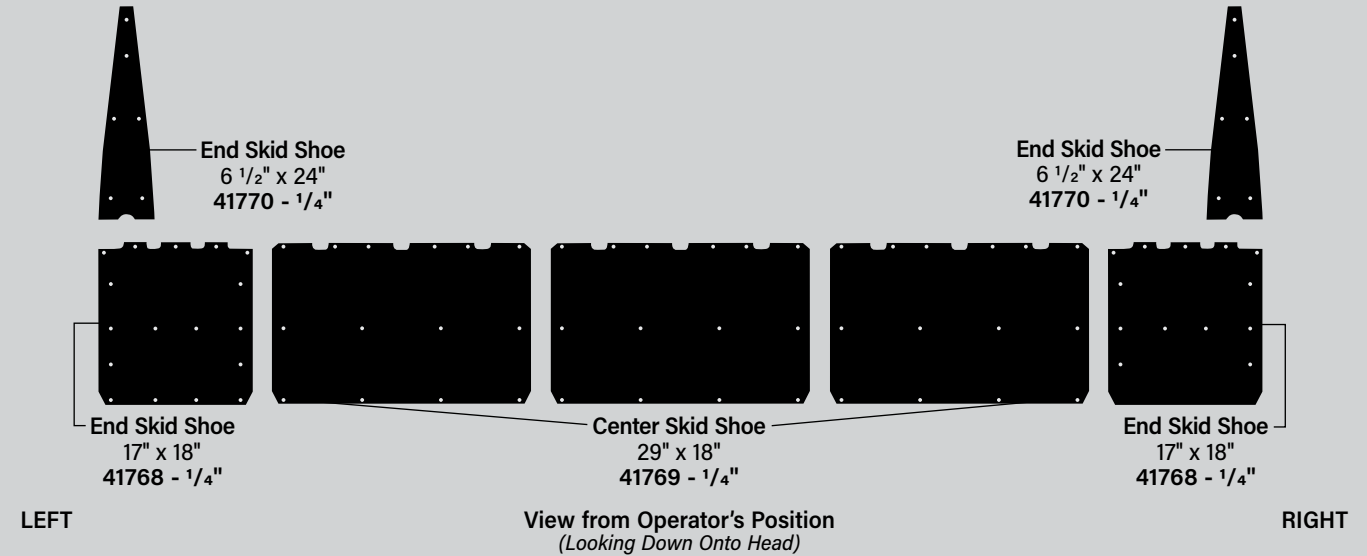
Hardware included = Size 86 Small Head Pop Rivets. Extra rivets can be purchased on page 149.



PREMIUM POLY SKID SHOES - HARDWARE INCLUDED

SKID SHOES FOR NEW HOLLAND 74C SERIES PIN: PNL017801 - PNL018300 - 1/4" THICK

PREDRILLED



KITS FOR NEW HOLLAND 74C SERIES - PIN: PNL017801 - PNL018300 - 1/4" THICK

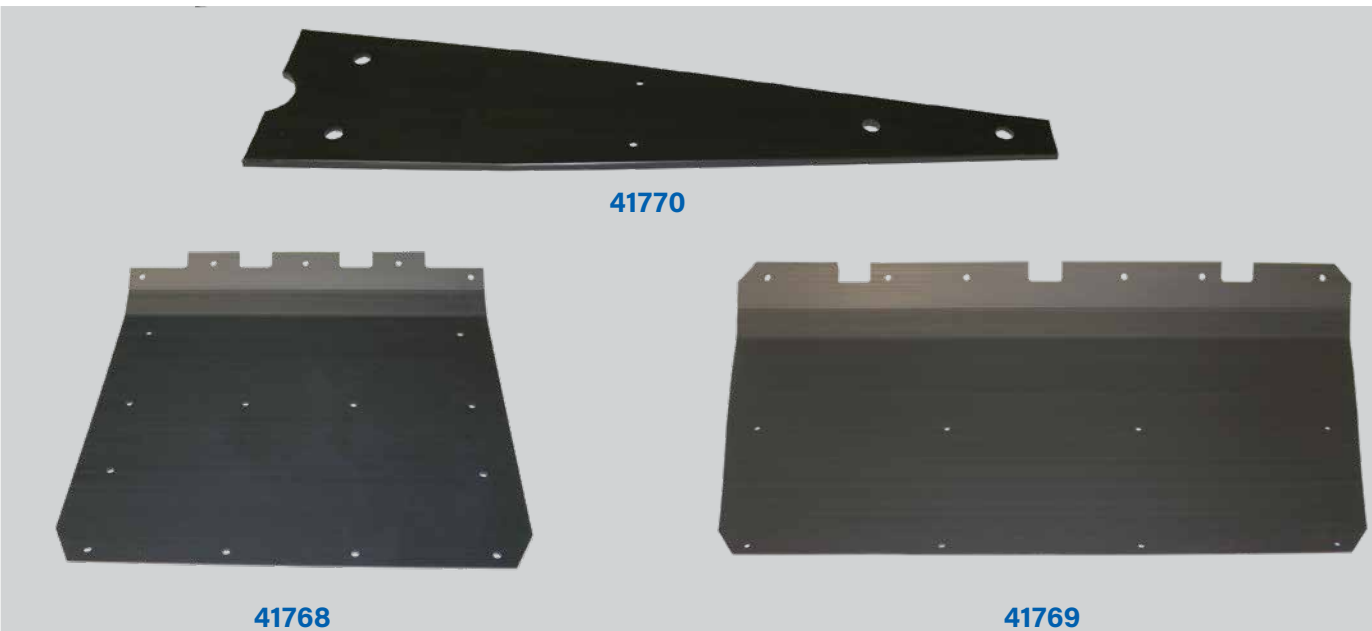
| SET SIZE | SHOE THICKNESS | PD* | PART NO BLACK | RETAIL PRICE |
|----------|----------------|-----|---------------|--------------|
| 30 ft | 1/4" | PD | 82915 | \$ 1078 set |
| 25 ft | 1/4" | PD | 82916 | \$ 913 set |
| 20 ft | 1/4" | PD | 82917 | \$ 741 set |

REPLACEMENT PARTS FOR NEW HOLLAND 74C SERIES - PIN: PNL017801 - PNL018300 - 1/4" THICK

| DESCRIPTION | SHOE THICKNESS | PD* | SIZE | PART NO BLACK | RETAIL PRICE |
|------------------|----------------|-----|--------------|---------------|--------------|
| End Skid Shoe | 1/4" | PD | 17" x 18" | 41768 | \$ 88 ea |
| Center Skid Shoe | 1/4" | PD | 29" x 18" | 41769 | \$ 101 ea |
| End Shoe | 1/4" | PD | 6 1/2" x 24" | 41770 | \$ 50 ea |

*PD = Predrilled

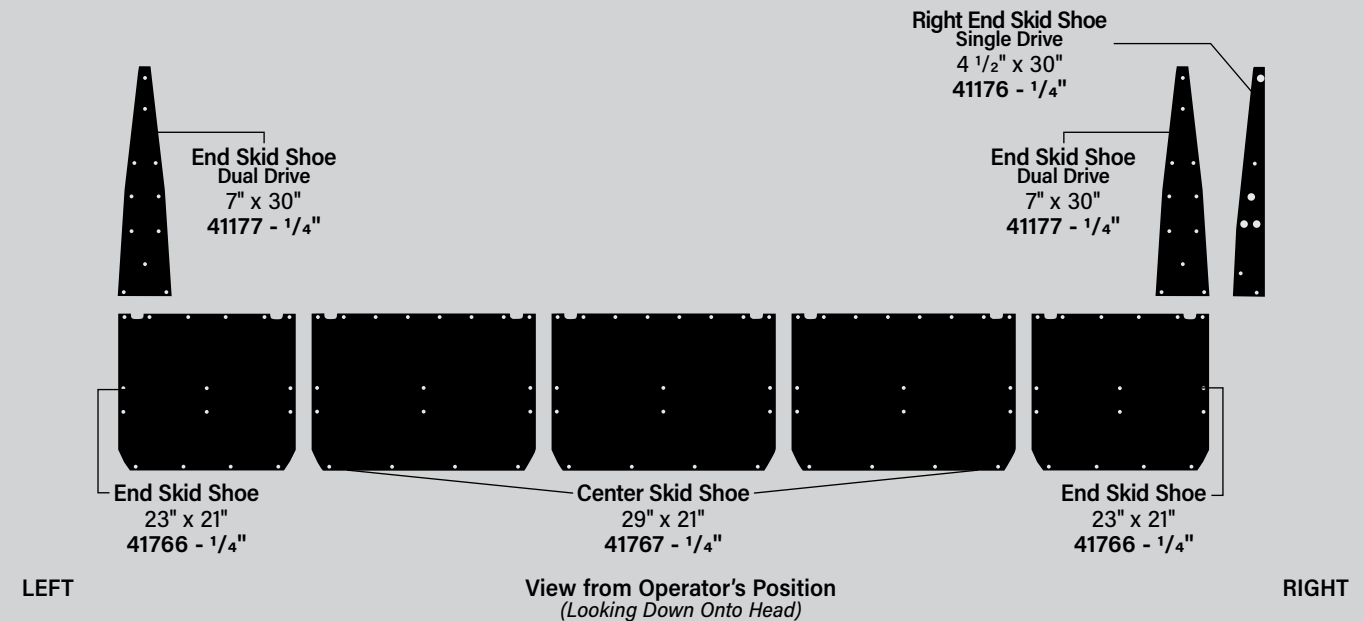
Hardware included = Size 86 Small Head Pop Rivets. Extra rivets can be purchased on page 149.



PREMIUM POLY SKID SHOES - HARDWARE INCLUDED

SKID SHOES FOR NEW HOLLAND 74C SERIES PIN: PNL017183 - PNL017800 - 1/4" THICK

PREDRILLED



KITS FOR NEW HOLLAND 74C SERIES - PIN: PNL017183 - PNL017800 - 1/4" THICK

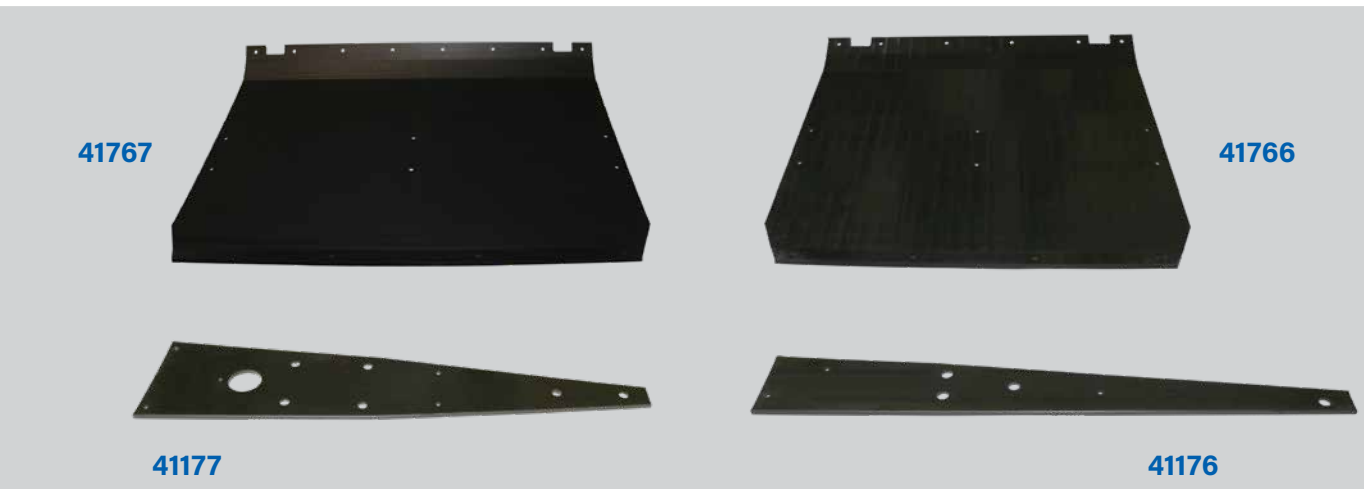
| SET SIZE | SHOE THICKNESS | PD* | PART NO BLACK | RETAIL PRICE |
|----------|----------------|-----|---------------|--------------|
| 30 ft | 1/4" | PD | 82911 | \$ 1075 set |
| 25 ft | 1/4" | PD | 82912 | \$ 913 set |
| 20 ft | 1/4" | PD | 82913 | \$ 741 set |

REPLACEMENT PARTS FOR NEW HOLLAND 74C SERIES - PIN: PNL017183 - PNL017800 - 1/4" THICK

| DESCRIPTION | SHOE THICKNESS | PD* | SIZE | PART NO BLACK | RETAIL PRICE |
|-------------------------------------|----------------|-----|--------------|---------------|--------------|
| End Skid Shoe | 1/4" | PD | 23" x 21" | 41766 | \$ 87 ea |
| Center Skid Shoe | 1/4" | PD | 29" x 21" | 41767 | \$ 101 ea |
| End Skid Shoe Dual Drive | 1/4" | PD | 7" x 30" | 41177 | \$ 59 ea |
| Right End Skid Shoe Single Drive | 1/4" | PD | 4 1/2" x 30" | 41176 | \$ 45 ea |

*PD = Predrilled

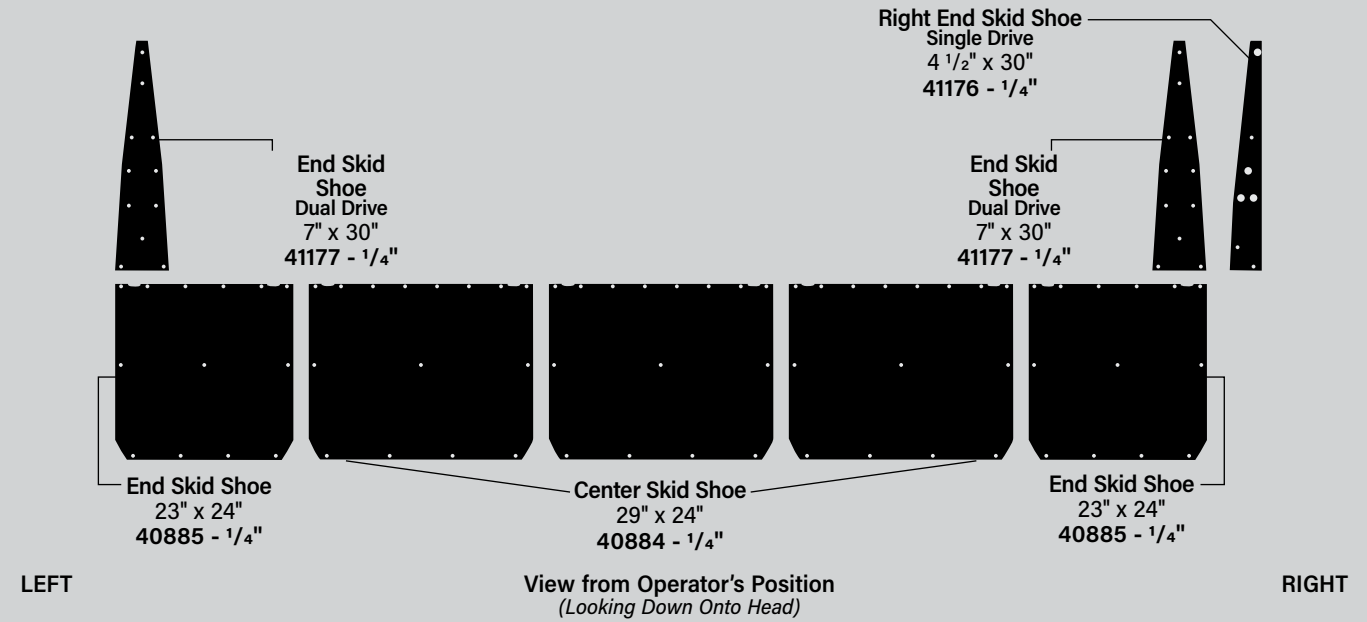
Hardware included = Size 86 Small Head Pop Rivets. Extra rivets can be purchased on page 149.



PREMIUM POLY SKID SHOES - HARDWARE INCLUDED

**SKID SHOES FOR NEW HOLLAND 74C SERIES
PIN: BEFORE PLN017183 INCLUDING ALL HAJ PIN'S - 1/4" THICK**

PREDRILLED



KITS FOR NEW HOLLAND 74C SERIES - PIN: BEFORE PNL017183 INCLUDING ALL HAJ PIN'S - 1/4" THICK

| SET SIZE | SHOE THICKNESS | PD* | PART NO BLACK | RETAIL PRICE |
|----------|----------------|-----|---------------|--------------|
| 30 ft | 1/4" | PD | 82179 | \$ 1075 set |
| 25 ft | 1/4" | PD | 82180 | \$ 913 set |
| 20 ft | 1/4" | PD | 82183 | \$ 742 set |

REPLACEMENT PARTS FOR NEW HOLLAND 74C SERIES - PIN: BEFORE PNL017183 INCLUDING ALL HAJ PIN'S - 1/4" THICK

| DESCRIPTION | SHOE THICKNESS | PD* | SIZE | PART NO BLACK | RETAIL PRICE |
|-------------------------------------|----------------|-----|--------------|---------------|--------------|
| End Skid Shoe | 1/4" | PD | 23" x 24" | 40885 | \$ 89 ea |
| Center Skid Shoe | 1/4" | PD | 29" x 24" | 40884 | \$ 101 ea |
| End Skid Shoe Dual Drive | 1/4" | PD | 7" x 30" | 41177 | \$ 59 ea |
| Right End Skid Shoe Single Drive | 1/4" | PD | 4 1/2" x 30" | 41176 | \$ 45 ea |

*PD = Predrilled

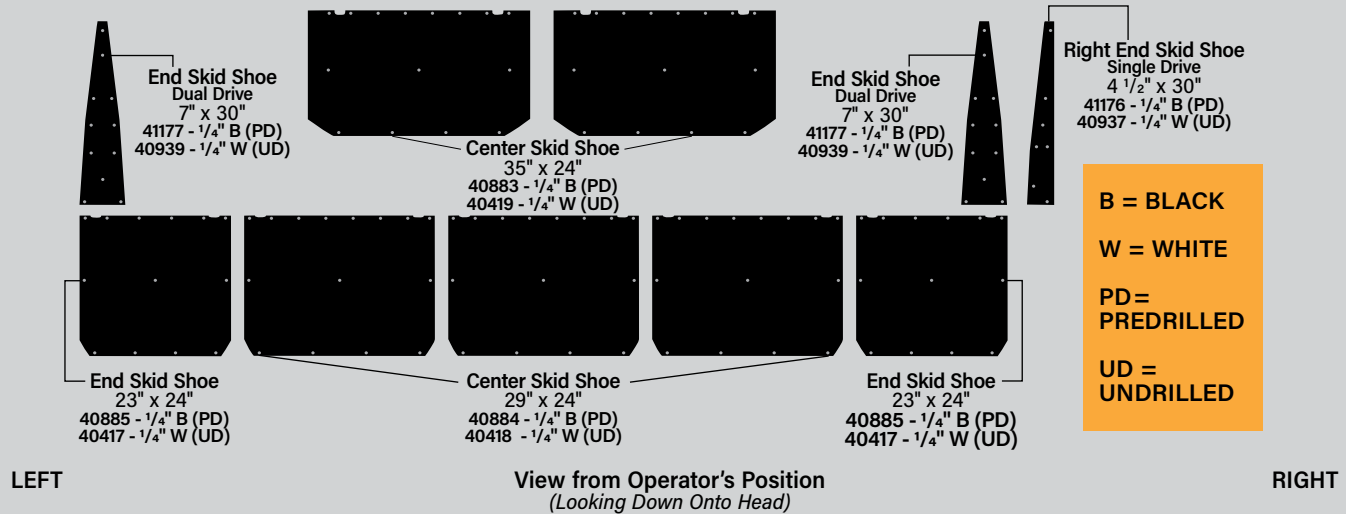
Hardware included = Size 86 Small Head Pop Rivets. Extra rivets can be purchased on page 149.



PREMIUM POLY SKID SHOES - HARDWARE INCLUDED

SKID SHOES FOR NEW HOLLAND 973 /73C SERIES - 1/4" THICK

PREDRILLED



KITS FOR NEW HOLLAND 973 /73C SERIES - 1/4" THICK

| SET SIZE | SHOE THICKNESS | PD*/UD** | PART NO - BLACK | PART NO - WHITE | RETAIL PRICE |
|----------|----------------|----------|-----------------|-----------------|--------------|
| 30 ft | 1/4" | PD | 82179 | 80257 | \$ 1075 set |
| | 1/4" | UD | — | 80258 | \$ 919 set |
| 25 ft | 1/4" | PD | 82180 | 80255 | \$ 913 set |
| | 1/4" | UD | — | 80256 | \$ 788 set |
| 24 ft | 1/4" | PD | 82181 | 80253 | \$ 883 set |
| | 1/4" | UD | — | 80254 | \$ 757 set |
| 22 ft | 1/4" | PD | 82182 | 80251 | \$ 812 set |
| | 1/4" | UD | — | 80252 | \$ 700 set |
| 20 ft | 1/4" | PD | 82183 | 80249 | \$ 742 set |
| | 1/4" | UD | — | 80250 | \$ 634 set |
| 18 ft | 1/4" | PD | 82184 | 80247 | \$ 676 set |
| | 1/4" | UD | — | 80248 | \$ 580 set |
| 16 ft | 1/4" | PD | 82185 | 80984 | \$ 593 set |
| | 1/4" | UD | — | 80246 | \$ 516 set |
| 15 ft | 1/4" | PD | 82186 | 80244 | \$ 566 set |
| | 1/4" | UD | — | 80245 | \$ 480 set |
| 13 ft | 1/4" | PD | 82187 | 80242 | \$ 493 set |
| | 1/4" | UD | — | 80243 | \$ 424 set |

REPLACEMENT PARTS FOR NEW HOLLAND 973 /73C SERIES - 1/4" THICK

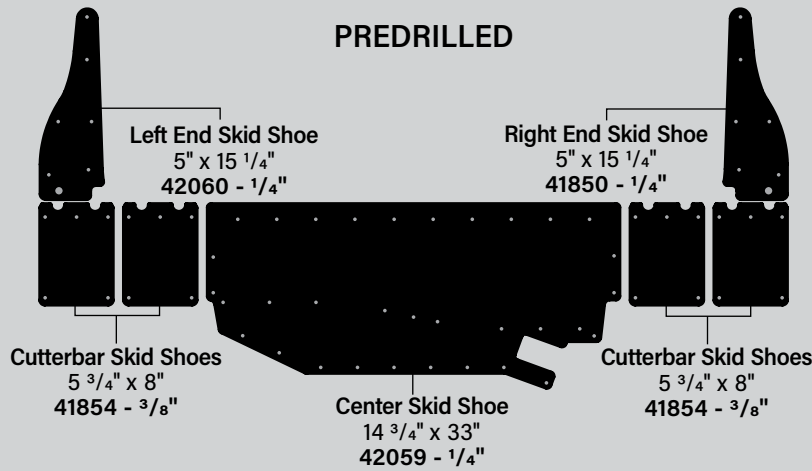
| DESCRIPTION | SHOE THICKNESS | PD*/UD** | PART NO - BLACK | PART NO - WHITE | RETAIL PRICE |
|------------------|----------------|----------|-----------------|-----------------|--------------|
| 35" x 24" | 1/4" | PD | 40883 | 40419 | \$ 124 ea |
| Center Skid Shoe | 1/4" | UD | — | 40428 | \$ 110 ea |
| 29" x 24" | 1/4" | PD | 40884 | 40418 | \$ 101 ea |
| Center Skid Shoe | 1/4" | UD | — | 40427 | \$ 91 ea |
| 23" x 24" | 1/4" | PD | 40885 | 40417 | \$ 89 ea |
| End Skid Shoe | 1/4" | UD | — | 40426 | \$ 80 ea |
| 4 1/2" x 30" | 1/4" | PD | 41176 | 40937 | \$ 45 ea |
| Single Drive | 1/4" | UD | — | — | — |
| 7" x 30" | 1/4" | PD | 41177 | 40939 | \$ 59 ea |
| Dual Drive | 1/4" | UD | — | — | — |

*PD = Predrilled, **UD = Undrilled

Hardware included = 86 Small Head Pop Rivets. Extra rivets can be purchased on page 149.

PREMIUM POLY SKID SHOES - HARDWARE INCLUDED

SKID SHOES FOR NEW HOLLAND 880CF /840CD SERIES DRAPER 3/8" MOLDED & 1/4" THICK



LEFT

View from Operator's Position
(Looking Down Onto Head)

RIGHT

KITS FOR NEW HOLLAND 880CF /840CD SERIES DRAPER - 3/8" MOLDED & 1/4" THICK

| SET SIZE | SHOE THICKNESS | PD* | PART NO - BLACK | RETAIL PRICE |
|----------|---|-----|-----------------|--------------|
| 45 ft | 3/8" Molded Cutterbars & 1/4" Center/Ends | PD | 83476 | \$ 1173 set |
| 40 ft | 3/8" Molded Cutterbars & 1/4" Center/Ends | PD | 83475 | \$ 983 set |
| 35 ft | 3/8" Molded Cutterbars & 1/4" Center/Ends | PD | 83474 | \$ 856 set |
| 30 ft | 3/8" Molded Cutterbars & 1/4" Center/Ends | PD | 83473 | \$ 720 set |
| 25 ft | 3/8" Molded Cutterbars & 1/4" Center/Ends | PD | 83470 | \$ 613 set |

NOTE: Cutterbar Skid Shoes are 3/8" thick molded. Both Center and End Shoes are 1/4" thick and not molded.

REPLACEMENT PARTS FOR NEW HOLLAND 880CF /840CD SERIES DRAPER - 3/8" MOLDED & 1/4" THICK

| DESCRIPTION | SHOE THICKNESS | PD* | SIZE | PART NO - BLACK | RETAIL PRICE |
|---------------------|----------------|-----|---------------|-----------------|--------------|
| Left End Skid Shoe | 1/4" | PD | 5" x 15 1/4" | 42060 | \$ 40 ea |
| Right End Skid Shoe | 1/4" | PD | 5" x 15 1/4" | 41850 | \$ 40 ea |
| Center Skid Shoe | 1/4" | PD | 14 3/4" x 33" | 42059 | \$ 123 ea |
| Cutterbar Skid Shoe | 3/8" Molded | PD | 5 3/4" x 8" | 41854 | \$ 19 ea |

*PD = Predrilled

Hardware included = 86 Small Head Pop Rivets. Extra rivets can be purchased on page 149.
Part 42059 (Center Skid Shoe) uses M6 Bolts.



PREMIUM POLY SKID SHOES - HARDWARE INCLUDED

SKID SHOES FOR NEW HOLLAND 86C /83C /82C SERIES DRAPER - 3/8" THICK

THICKER
than OEM

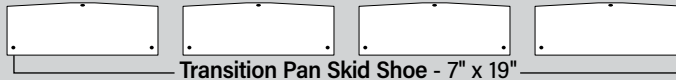
PREDRILLED

| Cutterbar Skid Shoe Qty Required | |
|----------------------------------|----------|
| HEAD WIDTH | QUANTITY |
| 30' | 60 |
| 35' | 70 |
| 40' | 80 |
| 45' | 90 |



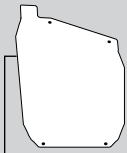
Cutterbar Skid Shoe - 6" x 6.5"
22723/83840 - 3/8"

(Order separately - NOT INCLUDED in kits)

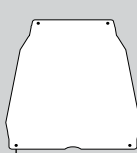


Transition Pan Skid Shoe - 7" x 19"
42061 - 3/8"

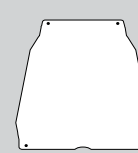
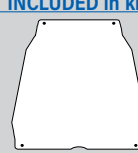
(Order separately - NOT INCLUDED in kits)



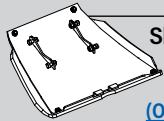
Left End Skid Shoe
11" x 15"
42054 - 3/8"



Center Skid Shoe
14" x 16"
42053 - 3/8"



Right End Skid Shoe
11" x 15"
42055 - 3/8"



Center Skid Shoe Assembly
14" x 16"
42319 - 3/8"

(Order Separately - NOT INCLUDED in Kits)

ORDER SEPARATELY - NOT INCLUDED IN KITS

DUE TO LARGE SIZE, ADDITIONAL SHIPPING FEE MAY APPLY

View from Operator's Position
(Looking Down Onto Head)

Draper Skid Plate
35 3/16" x 76 5/8"
42299 - 1/4"

(Order Separately - NOT INCLUDED in Kits)

LEFT

RIGHT

KITS FOR NEW HOLLAND 86C /83C /82C SERIES DRAPER - 3/8" THICK

| SET SIZE | SHOE THICKNESS | PD* | PART NO - WHITE | RETAIL PRICE |
|----------|---------------------|-----|-----------------|--------------|
| 45 ft | 3/8" Centers & Ends | PD | 83490 | \$ 320 set |
| 40 ft | 3/8" Centers & Ends | PD | 83490 | \$ 320 set |
| 35 ft | 3/8" Centers & Ends | PD | 83490 | \$ 320 set |
| 30 ft | 3/8" Centers & Ends | PD | 83490 | \$ 320 set |

REPLACEMENT PARTS FOR NEW HOLLAND 86C /83C /82C SERIES DRAPER - 3/8" THICK

| DESCRIPTION | SHOE THICKNESS | PD* | SIZE | PART NO - WHITE | RETAIL PRICE |
|---|----------------|-----|--------------------|-----------------|--------------|
| Left End Skid Shoe | 3/8" | PD | 11" x 15" | 42054 | \$ 56 ea |
| Right End Skid Shoe | 3/8" | PD | 11" x 15" | 42055 | \$ 56 ea |
| Center Skid Shoe | 3/8" | PD | 14" x 16" | 42053 | \$ 57 ea |
| Transition Pan Skid Shoe <i>Sold Separately</i> | 3/8" | PD | 7" x 19" | 42061 | \$ 41 ea |
| Center Skid Assembly <i>Sold Separately. Includes Metal Skid Plate, Poly Skid Shoe & Hardware.</i> | 3/8" | PD | 14" x 16" | 42319 | \$ 173 ea |
| Draper Skid Plate <i>Sold Separately</i> | 1/4" | PD | 35 3/16" x 76 5/8" | 42299 | \$ 347 ea |
| Cutterbar Skid Shoe | 3/8" Molded | PD | 6" x 6 1/2" | 22723 | \$ 9.50 ea |
| <i>Sold Separately. Hardware not included. Reuse OEM hardware.</i> | | | | | |
| Cutterbar Skid Shoe - 10pk <i>Sold Separately. Hardware not included. Reuse OEM hardware.</i> | 3/8" Molded | PD | 6" x 6 1/2" | 83840 | \$ 90 pk |

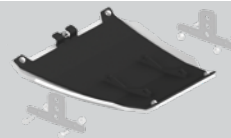
*PD = Predrilled Hardware included = Nuts & Bolts

Center Skid Shoe Assembly

14" x 16"
3/8" Thickness
42319 \$ 173

Includes Metal Skid Plate, Poly Skid Shoe & Mounting Hardware

Reuse your Factory OEM Mount Brackets for Installation



Questions? Scan the code to learn more.



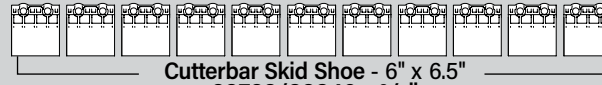
PREMIUM POLY SKID SHOES - HARDWARE INCLUDED

**SKID SHOES FOR NEW HOLLAND 84C SERIES DRAPER
AFTER SERIAL #PPP001119 - 3/8" THICK**

PREDRILLED

| Cutterbar Skid Shoe Qty Required | |
|----------------------------------|----------|
| HEAD WIDTH | QUANTITY |
| 30' | 60 |
| 35' | 70 |
| 40' | 80 |
| 45' | 90 |

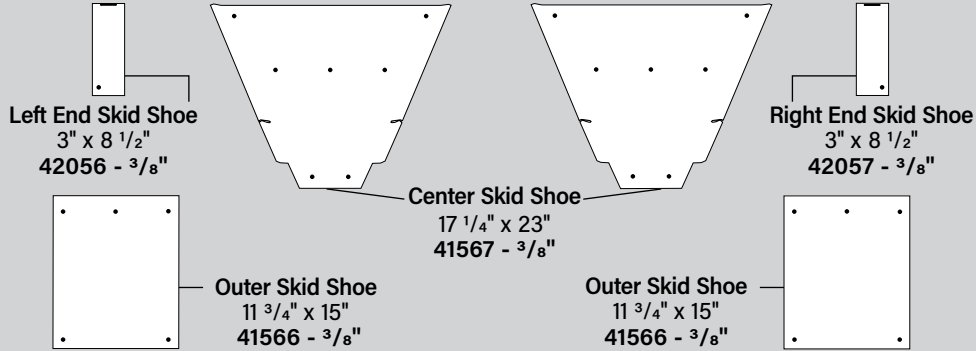
**THICKER
than OEM**



Cutterbar Skid Shoe - 6" x 6.5"

22723/83840 - 3/8"

(Order separately - NOT INCLUDED in kits)



LEFT

View from Operator's Position
(Looking Down Onto Head)

RIGHT

KITS FOR NEW HOLLAND 84C SERIES DRAPER - AFTER SERIAL #PPP001119 - 3/8" THICK

| SET SIZE | SHOE THICKNESS | PD* | PART NO - WHITE | RETAIL PRICE |
|----------|----------------|-----|-----------------|--------------|
| 36 ft | 3/8" | PD | 83502 | \$ 495 set |
| 30 ft | 3/8" | PD | 83502 | \$ 495 set |

REPLACEMENT PARTS FOR NEW HOLLAND 84C SERIES DRAPER - AFTER SERIAL #PPP001119 - 3/8" THICK

| DESCRIPTION | SHOE THICKNESS | PD* | SIZE | PART NO - WHITE | RETAIL PRICE |
|--|----------------|-----|---------------|-----------------|--------------|
| Left End Skid Shoe | 3/8" | PD | 3" x 8 1/2" | 42056 | \$ 26 ea |
| Right End Skid Shoe | 3/8" | PD | 3" x 8 1/2" | 42057 | \$ 26 ea |
| Center Skid Shoe | 3/8" | PD | 17 1/4" x 23" | 41567 | \$ 73 ea |
| Outer Skid Shoe | 3/8" | PD | 11 1/4" x 15" | 41566 | \$ 36 ea |
| Cutterbar Skid Shoe | 3/8" Molded | PD | 6" x 6 1/2" | 22723 | \$ 9.50 ea |
| <i>Sold Separately. Hardware not included. Reuse OEM hardware.</i> | | | | | |
| Cutterbar Skid Shoe - 10pk | 3/8" Molded | PD | 6" x 6 1/2" | 83840 | \$ 90 pk |
| <i>Sold Separately. Hardware not included. Reuse OEM hardware.</i> | | | | | |

*PD = Predrilled Hardware included = Nuts & Bolts

Part 41567 (Center Skid Shoe) uses 68 Small Head Pop Rivets. Extra rivets can be purchased on page 149.

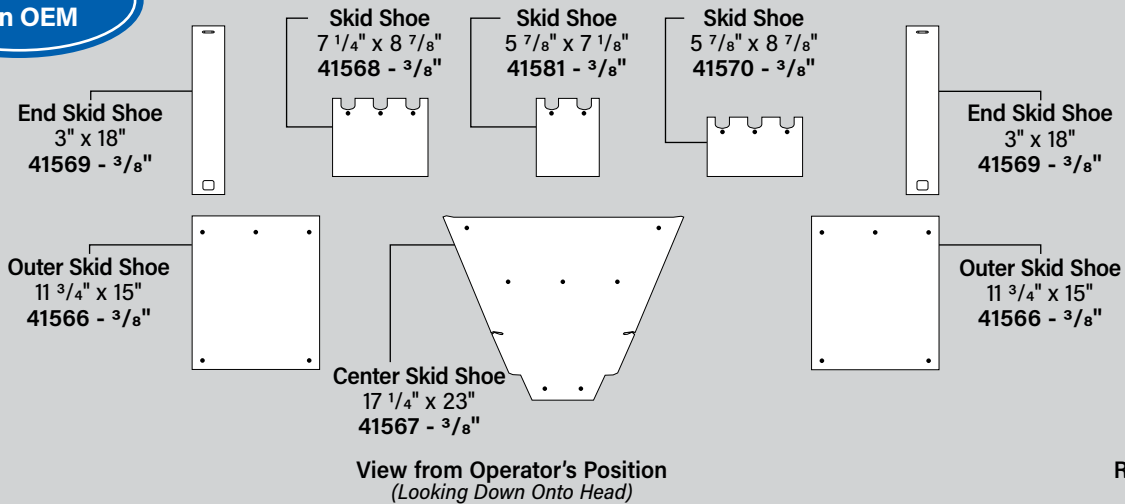


PREMIUM POLY SKID SHOES - HARDWARE INCLUDED

SKID SHOES FOR NEW HOLLAND 84C SERIES DRAPER BEFORE SERIAL #PPP001119 - 3/8" THICK

PREDRILLED

THICKER
than OEM



KITS FOR NEW HOLLAND 84C SERIES DRAPER - BEFORE SERIAL #PPP001119 - 3/8" THICK

| SET SIZE | SHOE THICKNESS | PD* | PART NO - WHITE | RETAIL PRICE |
|----------|----------------|-----|-----------------|--------------|
| 36 ft | 3/8" | PD | 82576 | \$ 1265 set |
| 30 ft | 3/8" | PD | 82577 | \$ 1163 set |

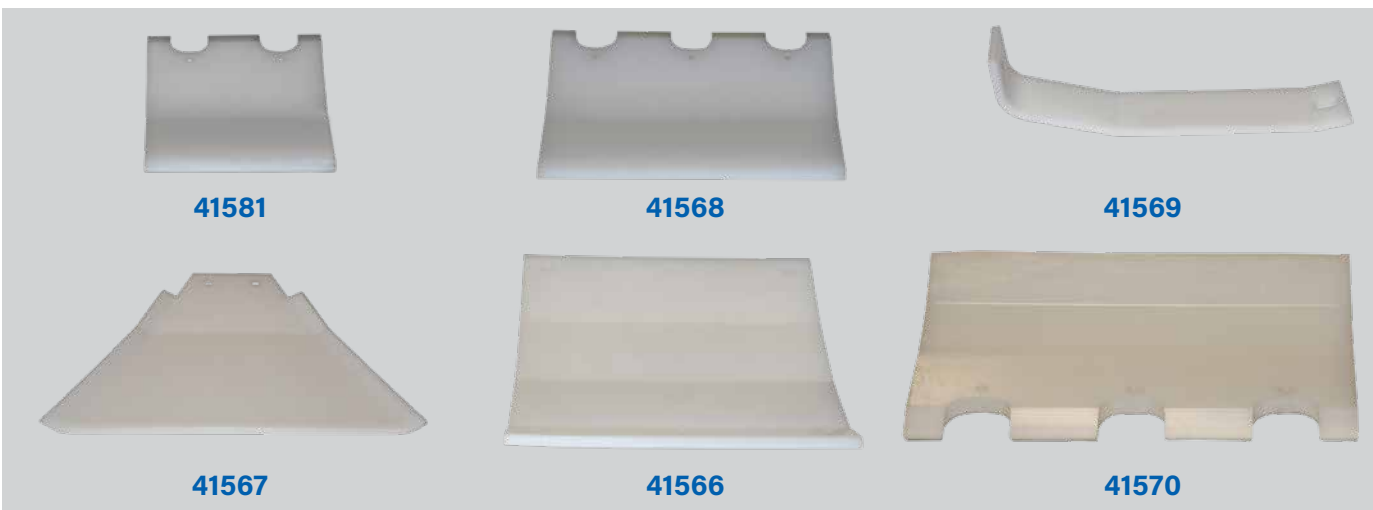
REPLACEMENT PARTS FOR NEW HOLLAND 84C SERIES DRAPER - BEFORE SERIAL #PPP001119 - 3/8" THICK

| DESCRIPTION | SHOE THICKNESS | PD* | SIZE | PART NO - WHITE | RETAIL PRICE |
|------------------|----------------|-----|-----------------|-----------------|--------------|
| End Skid Shoe | 3/8" | PD | 3" x 18" | 41569 | \$ 38 ea |
| Outer Skid Shoe | 3/8" | PD | 11 3/4" x 15" | 41566 | \$ 36 ea |
| Center Skid Shoe | 3/8" | PD | 17 1/4" x 23" | 41567 | \$ 73 ea |
| Skid Shoe | 3/8" | PD | 7 1/4" x 8 7/8" | 41568 | \$ 28 ea |
| Skid Shoe | 3/8" | PD | 5 7/8" x 7 1/8" | 41581 | \$ 26 ea |
| Skid Shoe | 3/8" | PD | 5 7/8" x 8 7/8" | 41570 | \$ 26 ea |

*PD = Predrilled

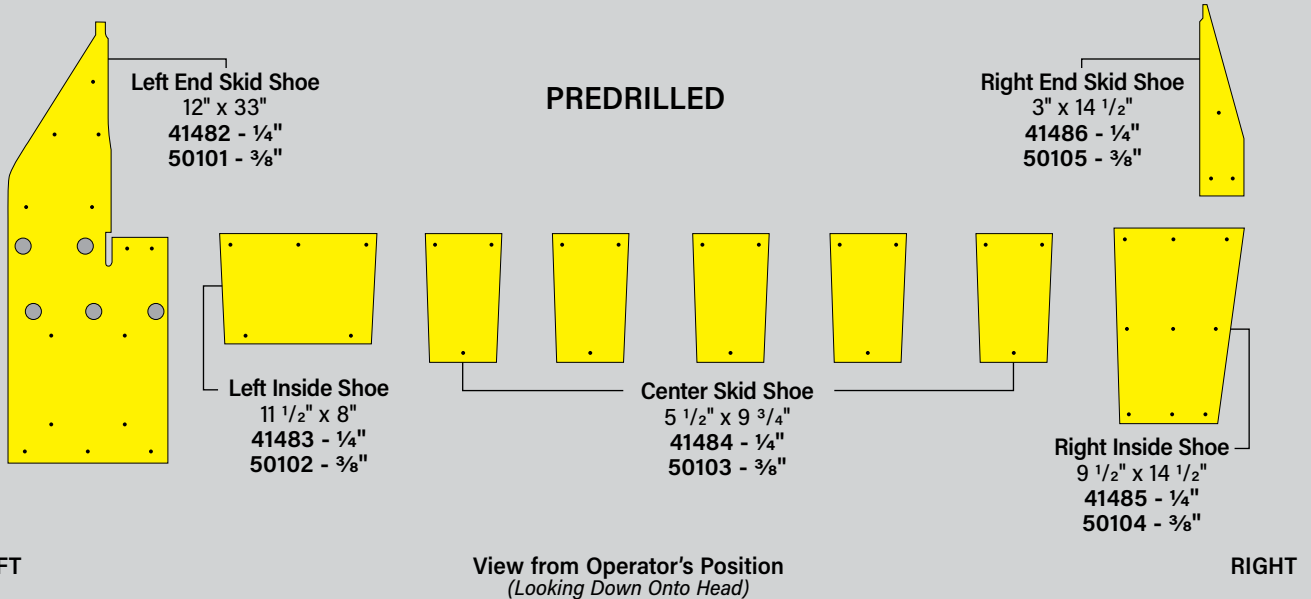
Hardware included = Nuts & Bolts

Parts 41567, 41568, 41581 and 41570 use 68 Small Head Pop Rivets. Extra rivets can be purchased on page 149.



PREMIUM POLY SKID SHOES - HARDWARE INCLUDED

SKID SHOES FOR JOHN DEERE 600F SERIES - 3/8" & 1/4" THICK



KITS FOR JOHN DEERE 600F SERIES - 3/8" & 1/4" THICK

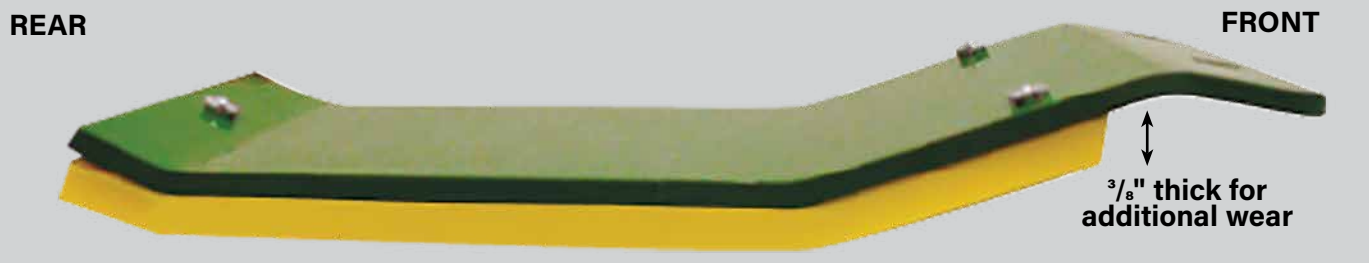
| SET SIZE | SHOE THICKNESS | PD* | PART NO - YELLOW | RETAIL PRICE | SET SIZE | SHOE THICKNESS | PD* | PART NO - YELLOW | RETAIL PRICE |
|----------|----------------|-----|------------------|--------------|----------|----------------|-----|------------------|--------------|
| 35 ft | 3/8" | PD | 90069 | \$ 836 set | 22 ft | 3/8" | PD | 90074 | \$ 571 set |
| | 1/4" | PD | 82465 | \$ 651 set | | 1/4" | PD | 83310 | \$ 454 set |
| 30 ft | 3/8" | PD | 90070 | \$ 721 set | 20 ft | 3/8" | PD | 90072 | \$ 502 set |
| | 1/4" | PD | 82466 | \$ 592 set | | 1/4" | PD | 82468 | \$ 418 set |
| 25 ft | 3/8" | PD | 90071 | \$ 614 set | 18 ft | 3/8" | PD | 90073 | \$ 485 set |
| | 1/4" | PD | 82467 | \$ 471 set | | 1/4" | PD | 82641 | \$ 403 set |

REPLACEMENT PARTS FOR JOHN DEERE 600F SERIES - 3/8" & 1/4" THICK

| DESCRIPTION | SIZE | SHOE THICKNESS | PD* | PART NO - YELLOW | RETAIL PRICE |
|---------------------|------------------|----------------|-----|------------------|--------------|
| Left End Skid Shoe | 12" x 33" | 3/8" | PD | 50101 | \$ 75 ea |
| | 12" x 33" | 1/4" | PD | 41482 | \$ 54 ea |
| Left Inside Shoe | 11 1/2" x 8" | 3/8" | PD | 50102 | \$ 24 ea |
| | 11 1/2" x 8" | 1/4" | PD | 41483 | \$ 18 ea |
| Center Skid Shoe | 5 1/2" x 9 3/4" | 3/8" | PD | 50103 | \$ 16 ea |
| | 5 1/2" x 9 3/4" | 1/4" | PD | 41484 | \$ 14 ea |
| Right Inside Shoe | 9 1/2" x 14 1/2" | 3/8" | PD | 50104 | \$ 27 ea |
| | 9 1/2" x 14 1/2" | 1/4" | PD | 41485 | \$ 22 ea |
| Right End Skid Shoe | 3" x 14 1/2" | 3/8" | PD | 50105 | \$ 16 ea |
| | 3" x 14 1/2" | 1/4" | PD | 41486 | \$ 14 ea |

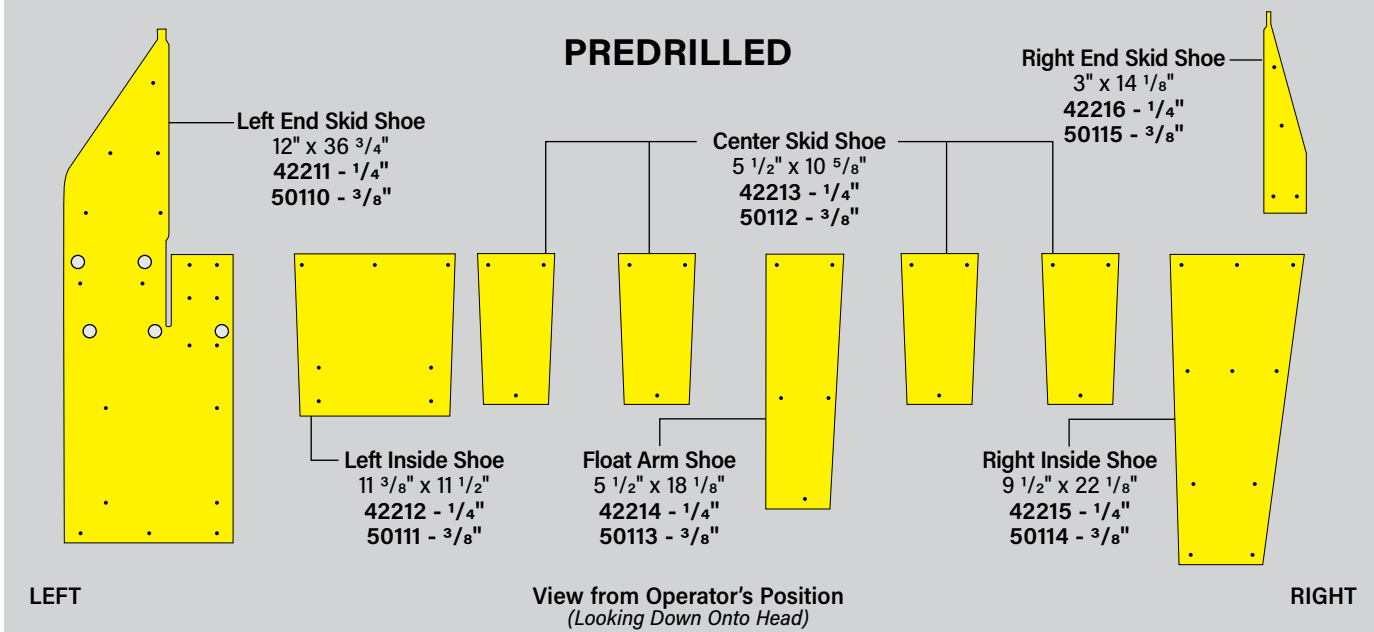
*PD = Predrilled

Hardware included = Size 88 Small Head Pop Rivets. Extra rivets can be purchased on page 149.



PREMIUM POLY SKID SHOES - HARDWARE INCLUDED

SKID SHOES FOR JOHN DEERE 600F RAISED CUT SERIES - 3/8" & 1/4" THICK



KITS FOR JOHN DEERE 600F RAISED CUT - 3/8" & 1/4" THICK

| SET SIZE | SHOE THICKNESS | PD* | PART NO. - YELLOW | RETAIL PRICE | SET SIZE | SHOE THICKNESS | PD* | PART NO. - YELLOW | RETAIL PRICE |
|----------|----------------|-----|-------------------|--------------|----------|----------------|-----|-------------------|--------------|
| 35 ft | 3/8" | PD | 90081 | \$ 1004 set | 22 ft | 3/8" | PD | 90078 | \$ 693 set |
| | 1/4" | PD | 83584 | \$ 836 set | | 1/4" | PD | 83581 | \$ 560 set |
| 30 ft | 3/8" | PD | 90080 | \$ 913 set | 20 ft | 3/8" | PD | 90077 | \$ 641 set |
| | 1/4" | PD | 83583 | \$ 723 set | | 1/4" | PD | 83580 | \$ 521 set |
| 25 ft | 3/8" | PD | 90079 | \$ 778 set | | | | | |
| | 1/4" | PD | 83582 | \$ 620 set | | | | | |

REPLACEMENT PARTS FOR JOHN DEERE 600F RAISED CUT - 3/8" & 1/4" THICK

| DESCRIPTION | SIZE | SHOE THICKNESS | PD* | PART NO. - YELLOW | RETAIL PRICE |
|---------------------|-------------------|----------------|-----|-------------------|--------------|
| Left End Skid Shoe | 12" x 36 3/4" | 3/8" | PD | 50110 | \$ 97 ea |
| | 12" x 36 3/4" | 1/4" | PD | 42211 | \$ 75 ea |
| Left Inside Shoe | 11 3/8" x 11 1/2" | 3/8" | PD | 50111 | \$ 35 ea |
| | 11 3/8" x 11 1/2" | 1/4" | PD | 42212 | \$ 27 ea |
| Center Skid Shoe | 5 1/2" x 10 5/8" | 3/8" | PD | 50112 | \$ 19 ea |
| | 5 1/2" x 10 5/8" | 1/4" | PD | 42213 | \$ 15 ea |
| Float Arm Shoe | 5 1/2" x 18 1/8" | 3/8" | PD | 50113 | \$ 26 ea |
| | 5 1/2" x 18 1/8" | 1/4" | PD | 42214 | \$ 20 ea |
| Right Inside Shoe | 9 1/2" x 22 1/8" | 3/8" | PD | 50114 | \$ 50 ea |
| | 9 1/2" x 22 1/8" | 1/4" | PD | 42215 | \$ 28 ea |
| Right End Skid Shoe | 3" x 14 1/8" | 3/8" | PD | 50115 | \$ 30 ea |
| | 3" x 14 1/8" | 1/4" | PD | 42216 | \$ 33 ea |

*PD = Predrilled

Hardware included = Size 88 Small Head Pop Rivets. Extra rivets can be purchased on page 149.



DRAW BAR SAVERS

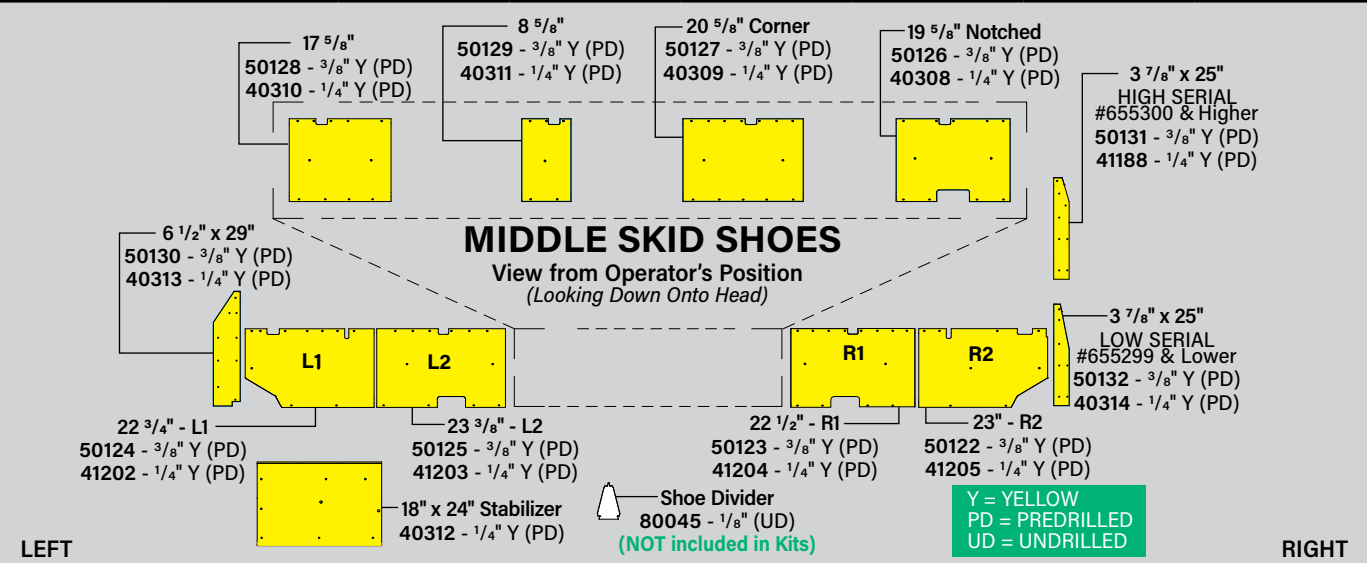
REDUCE FRICTION AND SAVE COMPONENT WEAR

UHMW Draw Bar Savers for your drawbars and hitches have slick properties for durability and wear resistance. Stacking may be used to achieve the desired thickness for your application.

FIND THEM ON PAGE 41

PREMIUM POLY SKID SHOES - HARDWARE INCLUDED

SKID SHOES FOR JOHN DEERE 900F SERIES - 3/8" & 1/4" THICK



KITS FOR JOHN DEERE 900F SERIES - 3/8" & 1/4" THICK

| SET SIZE | SHOE THICKNESS | PD* | PART NO - YELLOW | RETAIL PRICE | SET SIZE | SHOE THICKNESS | PD* | PART NO - YELLOW | RETAIL PRICE |
|----------|----------------|-----|------------------|--------------|----------|----------------|------|------------------|--------------|
| 30 ft | 3/8" | PD | 90100 | \$ 1280 set | 20 ft | 3/8" | PD | 90105 | \$ 988 set |
| | 1/4" | PD | 80040 | \$ 886 set | | 18 ft | 3/8" | PD | 90106 |
| 25 ft | 3/8" | PD | 90101 | \$ 1173 set | 15 ft | | 3/8" | PD | 90108 |
| | 1/4" | PD | 80036 | \$ 820 set | | 13 ft | 3/8" | PD | 90110 |
| 24 ft | 3/8" | PD | 90102 | \$ 1097 set | 8 ft | | 3/8" | PD | 90111 |
| | 1/4" | PD | 80552 | \$ 817 set | | 6 ft | 3/8" | PD | 90112 |
| 22 ft | 3/8" | PD | 90103 | \$ 1010 set | 4 ft | | 3/8" | PD | 90113 |
| | 1/4" | PD | 80171 | \$ 694 set | | | | | |

REPLACEMENT PARTS FOR JOHN DEERE 900F SERIES - 3/8" & 1/4" THICK

| DESCRIPTION | SHOE THICKNESS | PD* | PART NO YELLOW | RETAIL PRICE | DESCRIPTION | SHOE THICKNESS | PD* | PART NO YELLOW | RETAIL PRICE |
|----------------------------|----------------|-----|----------------|--------------|------------------------------|----------------|-----|----------------|--------------|
| *Left End Kit (L1) & (L2) | 3/8" | PD | 50120 | \$ 181 ea | Corner Cut | 3/8" | PD | 50127 | \$ 91 ea |
| | 1/4" | PD | 41254 | \$ 130 ea | 20 5/8" x 16 1/2" | 1/4" | PD | 40309 | \$ 64 ea |
| *Right End Kit (R1) & (R2) | 3/8" | PD | 50121 | \$ 181 ea | Middle | 3/8" | PD | 50128 | \$ 91 ea |
| | 1/4" | PD | 41259 | \$ 130 ea | 17 5/8" x 16 1/2" | 1/4" | PD | 40310 | \$ 56 ea |
| Right Outside (R2) | 3/8" | PD | 50122 | \$ 96 ea | Middle | 3/8" | PD | 50129 | \$ 52 ea |
| 23" x 16 1/2" | 1/4" | PD | 41205 | \$ 71 ea | 8 5/8" x 16 1/2" | 1/4" | PD | 40311 | \$ 34 ea |
| Right Inside (R1) | 3/8" | PD | 50123 | \$ 96 ea | End Shoe - Left | 3/8" | PD | 50130 | \$ 51 ea |
| 22 1/2" x 16 1/2" | 1/4" | PD | 41204 | \$ 71 ea | 6 1/2" x 29" | 1/4" | PD | 40313 | \$ 44 ea |
| Left Outside (L1) | 3/8" | PD | 50124 | \$ 96 ea | End Shoe - Right | 3/8" | PD | 50132 | \$ 50 ea |
| 22 3/4" x 16 1/2" | 1/4" | PD | 41202 | \$ 71 ea | LOW SERIAL #655299 & Lower | 1/4" | PD | 40314 | \$ 33 ea |
| Left Inside (L2) | 3/8" | PD | 50125 | \$ 96 ea | End Shoe - Right | 3/8" | PD | 50131 | \$ 46 ea |
| 23 3/8" x 16 1/2" | 1/4" | PD | 41203 | \$ 71 ea | HIGH SERIAL #655300 & Higher | 1/4" | PD | 41188 | \$ 41 ea |
| Notched Cut | 3/8" | PD | 50126 | \$ 90 ea | Stabilizer Pad | 1/4" | PD | 40312 | \$ 70 ea |
| 19 5/8" x 16 1/2" | 1/4" | PD | 40308 | \$ 63 ea | 18" x 24" | | | | |

*PD = Predrilled

Hardware included = 12-16 Pound Rivets for 3/8" kits & parts; 10-16 Pound Rivets for 1/4" kits & parts.

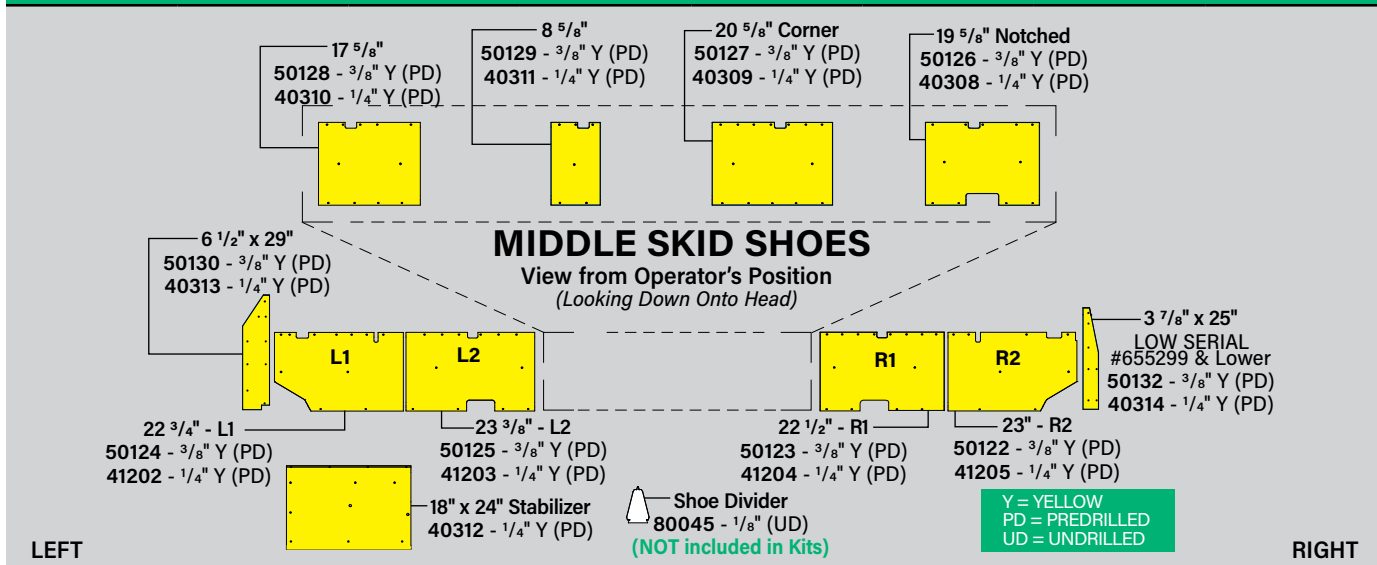
Part 80045 (1/8" Shoe Divider) uses 68 Small Head Pop Rivets.

Extra rivets can be purchased on page 149.

Also available for easy installation:
May Wes Pound Rivet Tool
81320 \$ 41 ea

PREMIUM POLY SKID SHOES - HARDWARE INCLUDED

SKID SHOES FOR JOHN DEERE 200F SERIES - 3/8" & 1/4" THICK



KITS FOR JOHN DEERE 200F SERIES - 3/8" & 1/4" THICK

| SET SIZE | SHOE THICKNESS | PD* | PART NO - YELLOW | RETAIL PRICE | SET SIZE | SHOE THICKNESS | PD* | PART NO - YELLOW | RETAIL PRICE |
|----------|----------------|-----|------------------|--------------|----------|----------------|-----|------------------|--------------|
| 24 ft | 3/8" | PD | 90102 | \$ 1097 set | 16 ft | 3/8" | PD | 90107 | \$ 842 set |
| | 1/4" | PD | 80552 | \$ 817 set | | 1/4" | PD | 80858 | \$ 721 set |
| 22 ft | 3/8" | PD | 90104 | \$ 1010 set | 15 ft | 3/8" | PD | 90109 | \$ 806 set |
| | 1/4" | PD | 80792 | \$ 785 set | | 1/4" | PD | 81065 | \$ 697 set |
| 20 ft | 3/8" | PD | 90105 | \$ 988 set | 13 ft | 3/8" | PD | 90110 | \$ 769 set |
| | 1/4" | PD | 80024 | \$ 779 set | | 1/4" | PD | 81066 | \$ 673 set |
| 18 ft | 3/8" | PD | 90106 | \$ 913 set | | | | | |
| | 1/4" | PD | 80020 | \$ 745 set | | | | | |

REPLACEMENT PARTS FOR JOHN DEERE 200F SERIES - 3/8" & 1/4" THICK

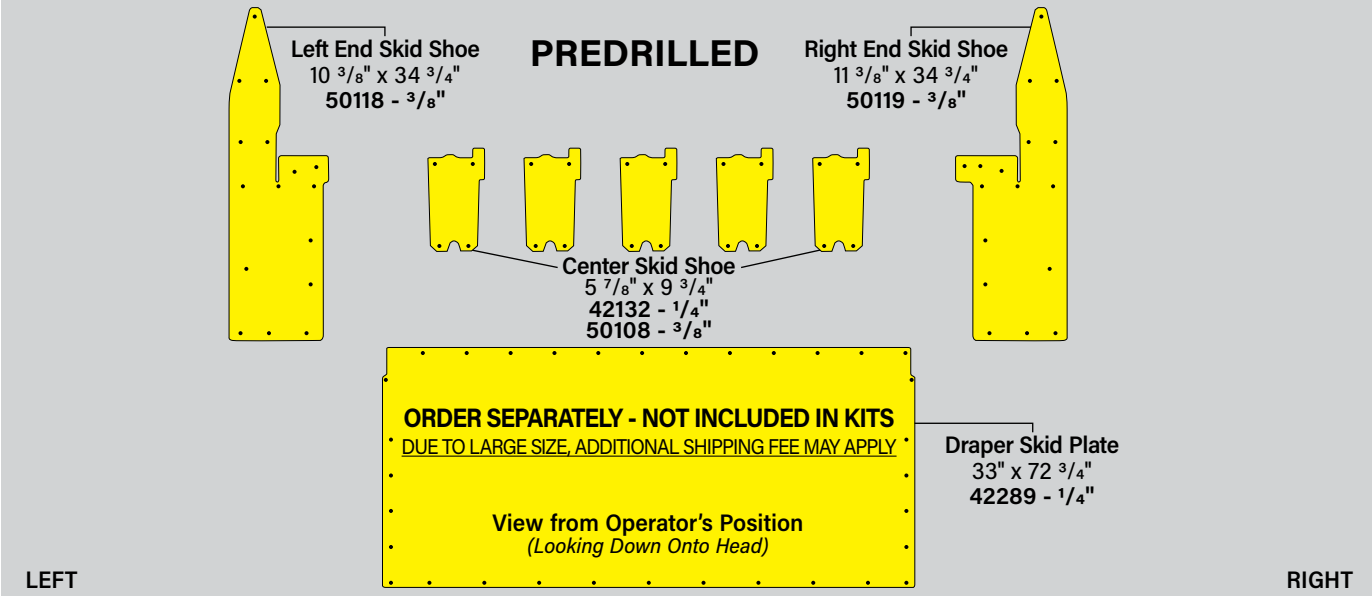
| DESCRIPTION | SHOE THICKNESS | PD* | PART NO YELLOW | RETAIL PRICE | DESCRIPTION | SHOE THICKNESS | PD* | PART NO YELLOW | RETAIL PRICE |
|-------------------|----------------|-----|----------------|--------------|-------------------|----------------|-----|----------------|--------------|
| Left End Kit | 3/8" | PD | 50120 | \$ 181 ea | Corner Cut | 3/8" | PD | 50127 | \$ 91 ea |
| (L1) & (L2) | 1/4" | PD | 41254 | \$ 130 ea | 20 5/8" x 16 1/2" | 1/4" | PD | 40309 | \$ 64 ea |
| Right End Kit | 3/8" | PD | 50121 | \$ 181 ea | Middle | 3/8" | PD | 50128 | \$ 91 ea |
| (R1) & (R2) | 1/4" | PD | 41259 | \$ 130 ea | 17 5/8" x 16 1/2" | 1/4" | PD | 40310 | \$ 56 ea |
| Right Outside(R2) | 3/8" | PD | 50122 | \$ 96 ea | Middle | 3/8" | PD | 50129 | \$ 52 ea |
| 23" x 16 1/2" | 1/4" | PD | 41205 | \$ 71 ea | 8 5/8" x 16 1/2" | 1/4" | PD | 40311 | \$ 34 ea |
| Right Inside (R1) | 3/8" | PD | 50123 | \$ 96 ea | End Shoe - Left | 3/8" | PD | 50130 | \$ 51 ea |
| 22 1/2" x 16 1/2" | 1/4" | PD | 41204 | \$ 71 ea | 6 1/2" x 29" | 1/4" | PD | 40313 | \$ 44 ea |
| Left Outside (L1) | 3/8" | PD | 50124 | \$ 96 ea | End Shoe - Right | 3/8" | PD | 50132 | \$ 50 ea |
| 22 3/4" x 16 1/2" | 1/4" | PD | 41202 | \$ 71 ea | 3 7/8" x 25" | 1/4" | PD | 40314 | \$ 33 ea |
| Left Inside (L2) | 3/8" | PD | 50125 | \$ 96 ea | Stabilizer Pad | 1/4" | PD | 40312 | \$ 70 ea |
| 23 5/8" x 16 1/2" | 1/4" | PD | 41203 | \$ 71 ea | 18" x 24" | | | | |
| Notched Cut | 3/8" | PD | 50126 | \$ 90 ea | | | | | |
| 19 5/8" x 16 1/2" | 1/4" | PD | 40308 | \$ 63 ea | | | | | |

*PD = Predrilled
 Hardware included = 12-16 Pound Rivets for 3/8" kits & parts;
 10-16 Pound Rivets for 1/4" kits & parts.
 Part 80045 (1/8" Shoe Divider) uses 68 Small Head Pop Rivets.
 Extra rivets can be purchased on page 149.

Also available for easy installation:
May Wes Pound Rivet Tool
81320 \$ 41 ea

PREMIUM POLY SKID SHOES - HARDWARE INCLUDED

**SKID SHOES FOR JOHN DEERE RDF /700FD & 600FD SERIES
2016 & NEWER AFTER SERIAL #785000 - 3/8" & 1/4" THICK**



**KITS FOR JOHN DEERE
RDF /700FD & 600FD SERIES
2016 & Newer After Serial #785000 - 3/8" & 1/4" THICK**

| SET SIZE | SHOE THICKNESS | PD* | PART NO YELLOW | RETAIL PRICE |
|----------|----------------|-----|----------------|--------------|
| 45 ft | 3/8" | PD | 90093 | \$ 1004 set |
| | 1/4" | PD | 83675 | \$ 883 set |
| 40 ft | 3/8" | PD | 90092 | \$ 913 set |
| | 1/4" | PD | 83674 | \$ 795 set |
| 35 ft | 3/8" | PD | 90091 | \$ 836 set |
| | 1/4" | PD | 83673 | \$ 689 set |
| 30 ft | 3/8" | PD | 90090 | \$ 769 set |
| | 1/4" | PD | 83672 | \$ 589 set |

**REPLACEMENT PARTS FOR JOHN DEERE RDF / 700FD & 600FD SERIES
2016 & Newer After Serial #785000 - 3/8" & 1/4" THICK**

| DESCRIPTION | SIZE | SHOE THICKNESS | PD* | PART NO YELLOW | RETAIL PRICE |
|---------------------|-------------------|----------------|-----|----------------|--------------|
| Left End Skid Shoe | 10 3/8" x 34 3/4" | 3/8" | PD | 50118 | \$ 108 ea |
| Center Skid Shoe | 5 7/8" x 9 3/4" | 3/8" | PD | 50108 | \$ 19 ea |
| Center Skid Shoe | 5 7/8" x 9 3/4" | 1/4" | PD | 42132 | \$ 15 ea |
| Right End Skid Shoe | 11 3/8" x 34 3/4" | 3/8" | PD | 50119 | \$ 108 ea |
| Draper Skid Plate | 33" x 72 3/4" | 1/4" | PD | 42289 | \$ 354 ea |

*PD = Predrilled Hardware included = Size 88 Small Head Pop Rivets. Extra rivets can be purchased on page 149.



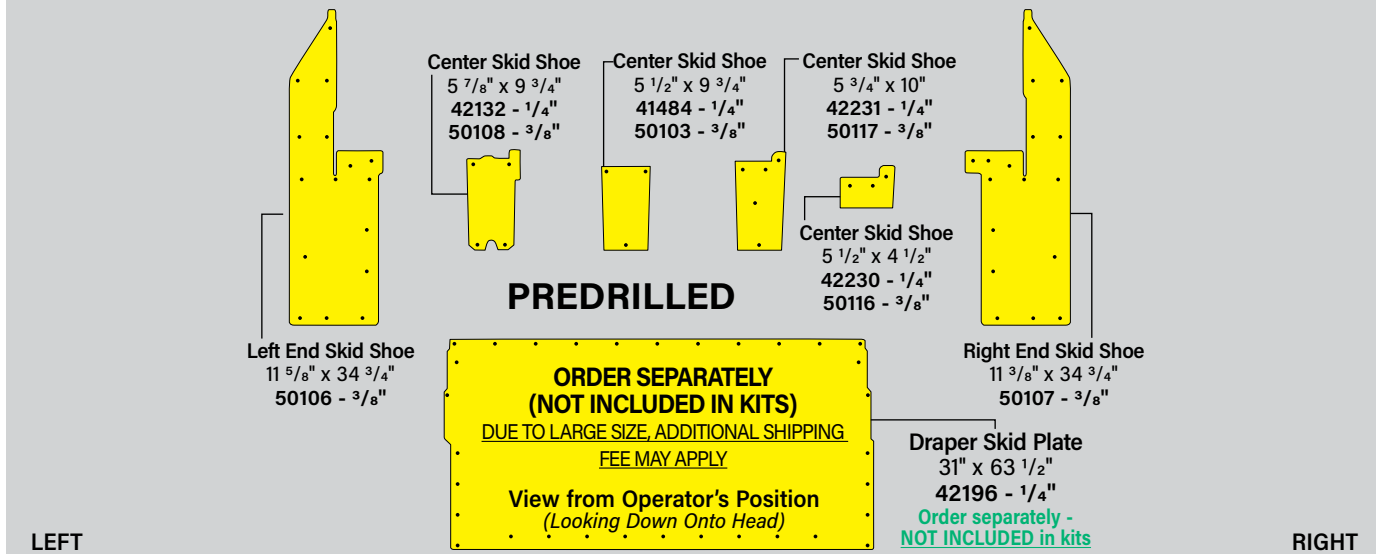
Learn more about May Wes Poly Skid Shoes

Scan the QR code with your smartphone to watch our FAQ video on YouTube.

SKID SHOES

PREMIUM POLY SKID SHOES - HARDWARE INCLUDED

SKID SHOES FOR JOHN DEERE 600FD SERIES 2012 to 2015 - 3/8" & 1/4" THICK



Center Skid Shoe
5 7/8" x 9 3/4"
42132 - 1/4"
50108 - 3/8"

Center Skid Shoe
5 1/2" x 9 3/4"
41484 - 1/4"
50103 - 3/8"

Center Skid Shoe
5 3/4" x 10"
42231 - 1/4"
50117 - 3/8"

Center Skid Shoe
5 1/2" x 4 1/2"
42230 - 1/4"
50116 - 3/8"

Left End Skid Shoe
11 5/8" x 34 3/4"
50106 - 3/8"

Right End Skid Shoe
11 3/8" x 34 3/4"
50107 - 3/8"

Draper Skid Plate
31" x 63 1/2"
42196 - 1/4"
Order separately - NOT INCLUDED in kits

PREDRILLED

ORDER SEPARATELY (NOT INCLUDED IN KITS)
DUE TO LARGE SIZE, ADDITIONAL SHIPPING FEE MAY APPLY

View from Operator's Position
(Looking Down Onto Head)

LEFT RIGHT

KITS FOR JOHN DEERE 600FD SERIES - 2015 - 3/8" & 1/4" THICK

| SET SIZE | SHOETHICKNESS | PD* | PART NO - YELLOW | RETAIL PRICE | SET SIZE | SHOETHICKNESS | PD* | PART NO - YELLOW | RETAIL PRICE |
|----------|---------------|-----|------------------|--------------|----------|---------------|-----|------------------|--------------|
| 45 ft | 3/8" | PD | 90089 | \$ 1107 set | 35 ft | 3/8" | PD | 90087 | \$ 836 set |
| | 1/4" | PD | 83637 | \$ 883 set | | 1/4" | PD | 83635 | \$ 689 set |
| 40 ft | 3/8" | PD | 90088 | \$ 1004 set | 30 ft | 3/8" | PD | 90086 | \$ 769 set |
| | 1/4" | PD | 83636 | \$ 795 set | | 1/4" | PD | 83634 | \$ 589 set |

KITS FOR JOHN DEERE 600FD SERIES - 2013 & 2014 - 3/8" & 1/4" THICK

| SET SIZE | SHOETHICKNESS | PD* | PART NO - YELLOW | RETAIL PRICE | SET SIZE | SHOETHICKNESS | PD* | PART NO - YELLOW | RETAIL PRICE |
|----------|---------------|-----|------------------|--------------|----------|---------------|-----|------------------|--------------|
| 40 ft | 3/8" | PD | 90076 | \$ 952 set | 30 ft | 3/8" | PD | 90082 | \$ 769 set |
| | 1/4" | PD | 83568 | \$ 785 set | | 1/4" | PD | 83585 | \$ 591 set |
| 35 ft | 3/8" | PD | 90075 | \$ 866 set | | | | | |
| | 1/4" | PD | 83567 | \$ 689 set | | | | | |

KITS FOR JOHN DEERE 600FD SERIES - 2012 - 3/8" & 1/4" THICK

| SET SIZE | SHOETHICKNESS | PD* | PART NO - YELLOW | RETAIL PRICE | SET SIZE | SHOETHICKNESS | PD* | PART NO - YELLOW | RETAIL PRICE |
|----------|---------------|-----|------------------|--------------|----------|---------------|-----|------------------|--------------|
| 40 ft | 3/8" | PD | 90085 | \$ 913 set | 30 ft | 3/8" | PD | 90083 | \$ 769 set |
| | 1/4" | PD | 83633 | \$ 794 set | | 1/4" | PD | 83631 | \$ 589 set |
| 35 ft | 3/8" | PD | 90084 | \$ 836 set | | | | | |
| | 1/4" | PD | 83632 | \$ 638 set | | | | | |

REPLACEMENT PARTS FOR JOHN DEERE 600FD SERIES - 3/8" & 1/4" THICK

| DESCRIPTION | SIZE | SHOE THICKNESS | PD* | PART NO - YELLOW | RETAIL PRICE |
|---------------------|-------------------|----------------|-----|------------------|--------------|
| Left End Skid Shoe | 11 5/8" x 34 3/4" | 3/8" | PD | 50106 | \$ 108 ea |
| Center Skid Shoe | 5 7/8" x 9 3/4" | 3/8" | PD | 50108 | \$ 19 ea |
| | 5 7/8" x 9 3/4" | 1/4" | PD | 42132 | \$ 15 ea |
| Center Skid Shoe | 5 1/2" x 9 3/4" | 3/8" | PD | 50103 | \$ 16 ea |
| | 5 1/2" x 9 3/4" | 1/4" | PD | 41484 | \$ 14 ea |
| Center Skid Shoe | 5 3/4" x 10" | 3/8" | PD | 50117 | \$ 18 ea |
| | 5 3/4" x 10" | 1/4" | PD | 42231 | \$ 14.50 ea |
| Center Skid Shoe | 5 1/2" x 4 1/2" | 3/8" | PD | 50116 | \$ 14.50 ea |
| | 5 1/2" x 4 1/2" | 1/4" | PD | 42230 | \$ 12.50 ea |
| Right End Skid Shoe | 11 3/8" x 34 3/4" | 3/8" | PD | 50107 | \$ 108 ea |
| Draper Skid Plate | 31" x 63 1/2" | 1/4" | PD | 42196 | \$ 343 ea |

Sold Separately

*PD = Predrilled

Hardware included = Size 88 Small Head Pop Rivets. Extra rivets can be purchased on page 149.

PREMIUM POLY SKID SHOES - HARDWARE INCLUDED

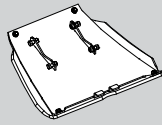
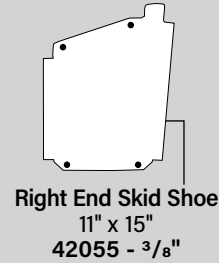
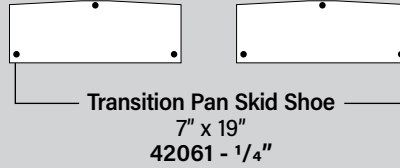
SKID SHOES FOR MACDON FD1 /D1 & FD75 /D65 DRAPER - 3/8" & 1/4" THICK

No Kits - All Items Sold Separately

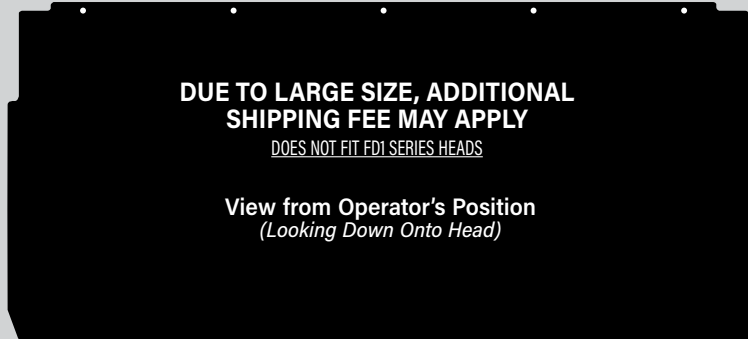
THICKER
than OEM

PREDRILLED

| Cutterbar Skid Shoe Qty Required | |
|----------------------------------|----------|
| HEAD WIDTH | QUANTITY |
| 30' | 60 |
| 35' | 70 |
| 40' | 80 |
| 45' | 90 |



Center Skid Shoe Assembly
14" x 16"
Replaces OEM molded center skid shoe.
42319 - 3/8"



DUE TO LARGE SIZE, ADDITIONAL SHIPPING FEE MAY APPLY
DOES NOT FIT FD1 SERIES HEADS

View from Operator's Position
(Looking Down Onto Head)

Draper Skid Plate
CA25 Adapter
CA20 Adapter (2012 & Newer)
35 7/16" x 79"
42300 - 1/4"

LEFT

RIGHT

SKID SHOES

REPLACEMENT PARTS FOR MACDON FD1 /D1 DRAPER - 3/8" & 1/4" THICK

| DESCRIPTION | SHOE THICKNESS | PD* | SIZE | PART NO - WHITE | RETAIL PRICE |
|---------------------------|----------------|-----|-----------|-----------------|--------------|
| Left End Skid Shoe | 3/8" | PD | 11" x 15" | 42054 | \$ 56 ea |
| Right End Skid Shoe | 3/8" | PD | 11" x 15" | 42055 | \$ 56 ea |
| Transition Pan Skid Shoe | 1/4" | PD | 7" x 19" | 42061 | \$ 41 ea |
| Center Skid Shoe Assembly | 3/8" | PD | 14" x 16" | 42319 | \$ 173 ea |

Includes Metal Skid Plate, Poly Skid Shoe & Hardware

REPLACEMENT PARTS FOR MACDON FD75 /D65 DRAPER - 3/8" & 1/4" THICK

| DESCRIPTION | SHOE THICKNESS | PD* | SIZE | PART NO - WHITE | RETAIL PRICE |
|--|----------------|-----|----------------|-----------------|--------------|
| Left End Skid Shoe | 3/8" | PD | 11" x 15" | 42054 | \$ 56 ea |
| Right End Skid Shoe | 3/8" | PD | 11" x 15" | 42055 | \$ 56 ea |
| Transition Pan Skid Shoe | 1/4" | PD | 7" x 19" | 42061 | \$ 41 ea |
| Center Skid Shoe Assembly | 3/8" | PD | 14" x 16" | 42319 | \$ 173 ea |
| Draper Skid Plate CA25 Adapter & CA20 Adapter - 2012 & Newer | 1/4" | PD | 35 7/16" x 79" | 42300 | \$ 354 ea |

DUE TO LARGE SIZE, ADDITIONAL SHIPPING FEE MAY APPLY. DOES NOT FIT FD1 SERIES HEADS.

| | | | | | |
|--|------|----|-------------|-------|------------|
| Cutterbar Skid Shoe | 3/8" | PD | 6" x 6 1/2" | 22723 | \$ 9.50 ea |
| Hardware not included. Reuse OEM hardware. | | | | | |
| Cutterbar Skid Shoe - 10pk | 3/8" | PD | 6" x 6 1/2" | 83840 | \$ 90 pk |
| Hardware not included. Reuse OEM hardware. | | | | | |

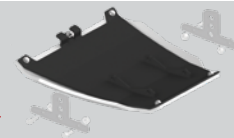
*PD = Predrilled Hardware included = Size 86 Small Head Pop Rivets. Extra rivets can be purchased on page 149.

Center Skid Shoe Assembly

14" x 16"
3/8" Thickness
42319 \$ 173

Includes Metal Skid Plate, Poly Skid Shoe & Mounting Hardware

Reuse your Factory OEM Mount Brackets for Installation



Questions? Scan the code to learn more.



PREMIUM POLY SKID SHOES - HARDWARE INCLUDED

SKID SHOES FOR MACDON FD70 / D60 / D50 DRAPER - 3/8" THICK

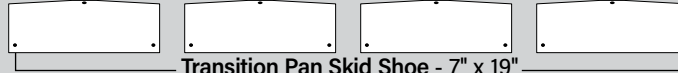
PREDRILLED

| Cutterbar Skid Shoe Qty Required | |
|----------------------------------|----------|
| HEAD WIDTH | QUANTITY |
| 30' | 60 |
| 35' | 70 |
| 40' | 80 |
| 45' | 90 |

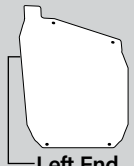
THICKER
than OEM



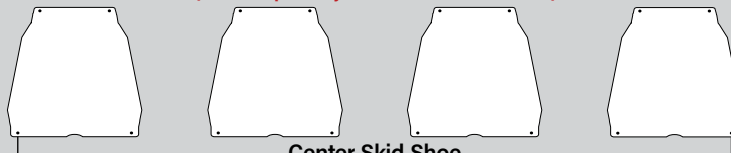
Cutterbar Skid Shoe - 6" x 6.5"
22723/83840 - 3/8"
(Order separately - NOT INCLUDED in kits)



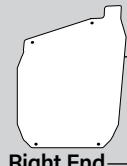
Transition Pan Skid Shoe - 7" x 19"
42061 - 3/8"
(Order separately - NOT INCLUDED in kits)



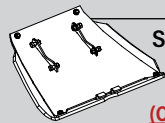
Left End Skid Shoe
11" x 15"
42054 - 3/8"



Center Skid Shoe
14" x 16"
42053 - 3/8"



Right End Skid Shoe
11" x 15"
42055 - 3/8"



Center Skid Shoe Assembly
14" x 16"
42319 - 3/8"
(Order separately - NOT INCLUDED in kits)

ORDER SEPARATELY - NOT INCLUDED IN KITS

DUE TO LARGE SIZE, ADDITIONAL SHIPPING FEE MAY APPLY

View from Operator's Position
(Looking Down Onto Head)

Draper Skid Plate
CA20 Adapter (2011 & Older)
See page 76 for 2012 & Newer
35 3/16" x 76 5/8"
42299 - 1/4"
(Order separately - NOT INCLUDED in kits)

LEFT

RIGHT

KITS FOR MACDON FD70 / D60 / D50 DRAPER - 3/8" THICK

| SET SIZE | SHOE THICKNESS | PD* | PART NO - WHITE | RETAIL PRICE |
|----------|---------------------|-----|-----------------|--------------|
| 45 ft | 3/8" Centers & Ends | PD | 83490 | \$ 320 set |
| 40 ft | 3/8" Centers & Ends | PD | 83490 | \$ 320 set |
| 35 ft | 3/8" Centers & Ends | PD | 83490 | \$ 320 set |
| 30 ft | 3/8" Centers & Ends | PD | 83490 | \$ 320 set |

REPLACEMENT PARTS FOR MACDON FD70 / D60 / D50 DRAPER - 3/8" THICK

| DESCRIPTION | SHOE THICKNESS | PD* | SIZE | PART NO - WHITE | RETAIL PRICE |
|--|----------------|-----|--------------------|-----------------|--------------|
| Left End Skid Shoe | 3/8" | PD | 11" x 15" | 42054 | \$ 56 ea |
| Right End Skid Shoe | 3/8" | PD | 11" x 15" | 42055 | \$ 56 ea |
| Center Skid Shoe | 3/8" | PD | 14" x 16" | 42053 | \$ 57 ea |
| Transition Pan Skid Shoe <i>Sold Separately</i> | 3/8" | PD | 7" x 19" | 42061 | \$ 41 ea |
| Center Skid Shoe Assembly <i>Sold Separately. Includes Metal Skid Plate, Poly Skid Shoe & Hardware.</i> | 3/8" | PD | 14" x 16" | 42319 | \$ 173 ea |
| Draper Skid Plate CA20 Adapter - 2011 & Older <i>Sold Separately</i> | 1/4" | PD | 35 3/16" x 76 5/8" | 42299 | \$ 354 ea |
| <i>DUE TO LARGE SIZE, ADDITIONAL SHIPPING FEE MAY APPLY.</i> | | | | | |
| Cutterbar Skid Shoe | 3/8" | PD | 6" x 6 1/2" | 22723 | \$ 9.50 ea |
| <i>Sold Separately. Hardware not included. Reuse OEM hardware.</i> | | | | | |
| Cutterbar Skid Shoe - 10pk | 3/8" | PD | 6" x 6 1/2" | 83840 | \$ 90 pk |
| <i>Sold Separately. Hardware not included. Reuse OEM hardware.</i> | | | | | |

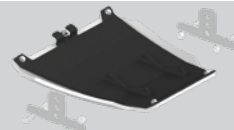
*PD = Predrilled **Hardware included = Nuts & Bolts.**

Center Skid Shoe Assembly

14" x 16"
3/8" Thickness
42319 \$ 173

Includes Metal Skid Plate, Poly Skid Shoe & Mounting Hardware

Reuse your Factory OEM Mount Brackets for Installation



Questions? Scan the code to learn more.



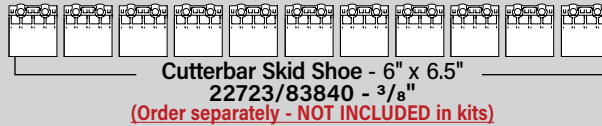
PREMIUM POLY SKID SHOES - HARDWARE INCLUDED

SKID SHOES FOR MACDON 974 /973 DRAPER 2006 & NEWER - 3/8" THICK

**THICKER
than OEM**

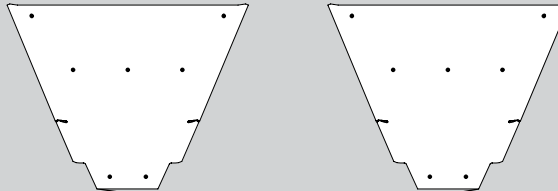
PREDRILLED

| Cutterbar Skid Shoe Qty Required | |
|----------------------------------|----------|
| HEAD WIDTH | QUANTITY |
| 30' | 60 |
| 35' | 70 |
| 40' | 80 |
| 45' | 90 |



Left End Skid Shoe
3" x 8 1/2"
42056 - 3/8"

Right End Skid Shoe
3" x 8 1/2"
42057 - 3/8"



Outer Skid Shoe
11 3/4" x 15"
41566 - 3/8"

Outer Skid Shoe
11 3/4" x 15"
41566 - 3/8"

View from Operator's Position
(Looking Down Onto Head)

LEFT

RIGHT

KITS FOR MACDON 974 DRAPER - 2006 & NEWER - 3/8" THICK

| SET SIZE | SHOE THICKNESS | PD* | PART NO - WHITE | RETAIL PRICE |
|----------|----------------|-----|-----------------|--------------|
| 36 ft | 3/8" | PD | 83502 | \$ 495 set |
| 30 ft | 3/8" | PD | 83502 | \$ 495 set |
| 25 ft | 3/8" | PD | 83501 | \$ 203 set |
| 21 ft | 3/8" | PD | 83501 | \$ 203 set |

KITS FOR MACDON 973 DRAPER - 2006 & NEWER - 3/8" THICK

| SET SIZE | SHOE THICKNESS | PD* | PART NO - WHITE | RETAIL PRICE |
|----------|----------------|-----|-----------------|--------------|
| 39 ft | 3/8" | PD | 83500 | \$ 367 set |
| 36 ft | 3/8" | PD | 83500 | \$ 367 set |
| 30 ft | 3/8" | PD | 83500 | \$ 367 set |

REPLACEMENT PARTS FOR MACDON 974 /973 DRAPER - 2006 & NEWER - 3/8" THICK

| DESCRIPTION | SHOE THICKNESS | PD* | SIZE | PART NO - WHITE | RETAIL PRICE |
|----------------------------|----------------|-----|---------------|-----------------|--------------|
| Left End Skid Shoe | 3/8" | PD | 3" x 8 1/2" | 42056 | \$ 26 ea |
| Right End Skid Shoe | 3/8" | PD | 3" x 8 1/2" | 42057 | \$ 26 ea |
| Center Skid Shoe | 3/8" | PD | 17 1/4" x 23" | 41567 | \$ 73 ea |
| Outer Skid Shoe | 3/8" | PD | 11 3/4" x 15" | 41566 | \$ 36 ea |
| Cutterbar Skid Shoe | 3/8" | PD | 6" x 6 1/2" | 22723 | \$ 9.50 ea |
| Cutterbar Skid Shoe - 10pk | 3/8" | PD | 6" x 6 1/2" | 83840 | \$ 90 pk |

Sold Separately. Hardware not included. Reuse OEM hardware.

Sold Separately. Hardware not included. Reuse OEM hardware.

*PD = Predrilled Hardware included = Nuts & Bolts
Part 41567 (Center Skid Shoe) uses 68 Small Head Pop Rivets. Extra rivets can be purchased on page 149.

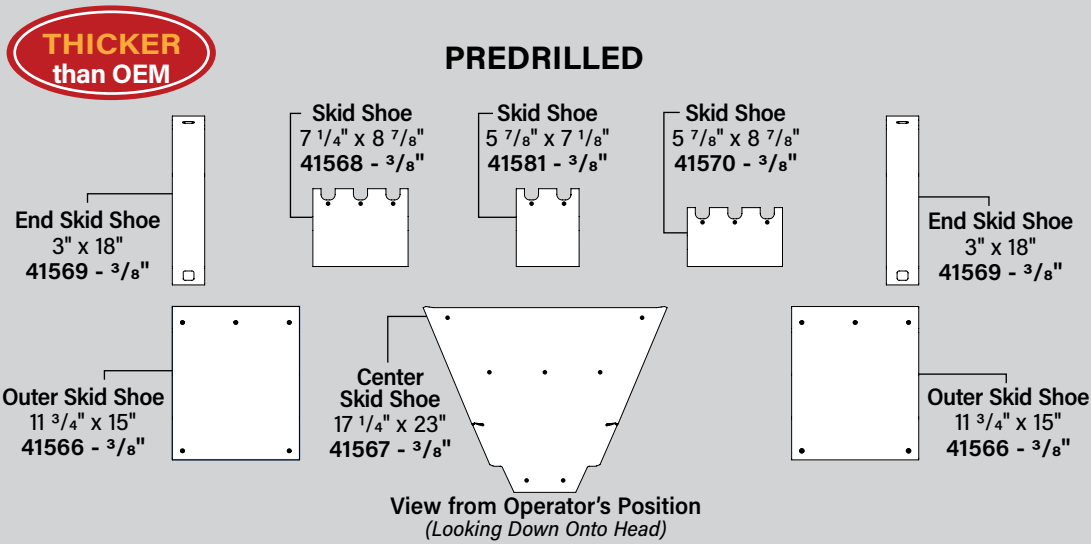


Check out our website - WWW.MAYWES.COM

for more information, installation instructions and our full lineup of poly products.

PREMIUM POLY SKID SHOES - HARDWARE INCLUDED

SKID SHOES FOR MACDON 974 /973 DRAPER 2005 & OLDER - 3/8" THICK



KITS FOR MACDON 974 DRAPER - 2005 & OLDER - 3/8" THICK

| SET SIZE | SHOE THICKNESS | PD* | PART NO - WHITE | RETAIL PRICE |
|----------|----------------|-----|-----------------|--------------|
| 36 ft | 3/8" | PD | 82576 | \$ 1265 set |
| 30 ft | 3/8" | PD | 82577 | \$ 1163 set |
| 25 ft | 3/8" | PD | 83494 | \$ 929 set |
| 21 ft | 3/8" | PD | 83493 | \$ 746 set |

KITS FOR MACDON 973 DRAPER - 2005 & OLDER - 3/8" THICK

| SET SIZE | SHOE THICKNESS | PD* | PART NO - WHITE | RETAIL PRICE |
|----------|----------------|-----|-----------------|--------------|
| 39 ft | 3/8" | PD | 83499 | \$ 1469 set |
| 36 ft | 3/8" | PD | 83498 | \$ 1183 set |
| 30 ft | 3/8" | PD | 83497 | \$ 1016 set |
| 25 ft | 3/8" | PD | 83496 | \$ 851 set |
| 21 ft | 3/8" | PD | 83495 | \$ 728 set |

REPLACEMENT PARTS FOR MACDON 974 /973 DRAPER - 2005 & OLDER - 3/8" THICK

| DESCRIPTION | SHOE THICKNESS | PD* | SIZE | PART NO - WHITE | RETAIL PRICE |
|------------------|----------------|-----|-----------------|-----------------|--------------|
| End Skid Shoe | 3/8" | PD | 3" x 18" | 41569 | \$ 38 ea |
| Outer Skid Shoe | 3/8" | PD | 11 3/4" x 15" | 41566 | \$ 36 ea |
| Center Skid Shoe | 3/8" | PD | 17 1/4" x 23" | 41567 | \$ 73 ea |
| Skid Shoe | 3/8" | PD | 7 1/4" x 8 7/8" | 41568 | \$ 28 ea |
| Skid Shoe | 3/8" | PD | 5 7/8" x 7 1/8" | 41581 | \$ 26 ea |
| Skid Shoe | 3/8" | PD | 5 7/8" x 8 7/8" | 41570 | \$ 26 ea |

*PD = Predrilled

Hardware included = Nuts & Bolts

Parts 41567, 41568, 41581 and 41570 use 68 Small Head Pop Rivets. Extra rivets can be purchased on page 149.



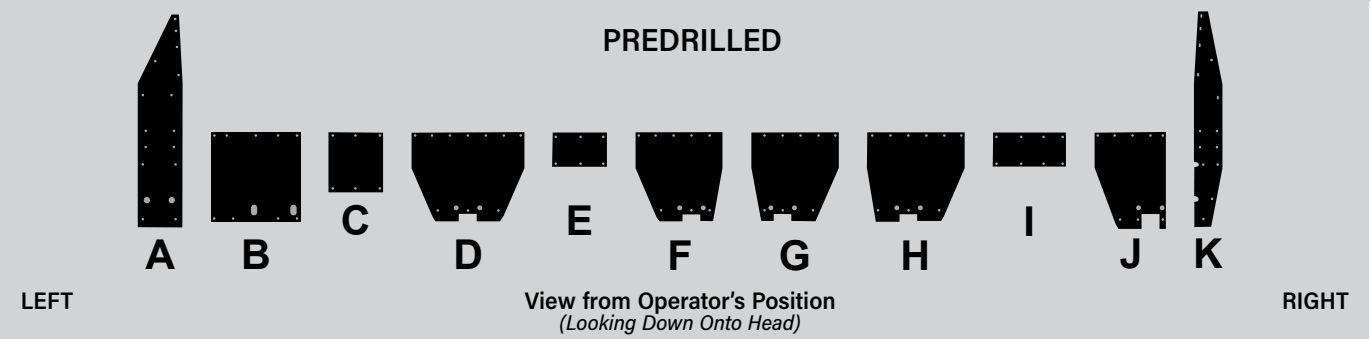
POLY PICKUP BANDS

A COST EFFECTIVE REPLACEMENT
FOR OEM METAL PICKUP BANDS

STARTING ON PAGE 42

PREMIUM POLY SKID SHOES - HARDWARE INCLUDED

SKID SHOES FOR CLAAS / LEXION / CATERPILLAR F900 / F750 / F530 / F525 / F30 / F20 FLEX HEADS - 1/4" THICK



KITS FOR CLAAS / LEXION / CATERPILLAR F900 / F750 / F530 / F525 / F30 / F20 FLEX HEADS - 1/4" THICK

| SET SIZE | SHOE THICKNESS | PD* | PART NO - BLACK | RETAIL PRICE |
|----------|----------------|-----|-----------------|--------------|
| 30 ft | 1/4" | PD | 82011 | \$ 1231 set |
| 25 ft | 1/4" | PD | 82012 | \$ 1056 set |
| 20 ft | 1/4" | PD | 82013 | \$ 845 set |
| 17 ft | 1/4" | PD | 82014 | \$ 716 set |
| 15 ft | 1/4" | PD | 82015 | \$ 639 set |

REPLACEMENT PARTS FOR CLAAS / LEXION / CATERPILLAR F900 / F750 / F530 / F525 / F30 / F20 FLEX HEADS - 1/4" THICK

| DESCRIPTION | SHOE THICKNESS | PD* | SIZE | PART NO - BLACK | RETAIL PRICE |
|---------------------|----------------|-----|-----------------------|-----------------|--------------|
| Left End Skid Shoe | 1/4" | PD | (A) 7 3/4" x 40" | 41040 | \$ 66 ea |
| Skid Shoe | 1/4" | PD | (B) 16" x 15 3/4" | 41041 | \$ 61 ea |
| Skid Shoe | 1/4" | PD | (C) 9 5/8" x 10 3/4" | 41036 | \$ 30 ea |
| Skid Shoe | 1/4" | PD | (D) 16 1/4" x 19 3/4" | 41031 | \$ 66 ea |
| Skid Shoe | 1/4" | PD | (E) 6 1/8" x 9 5/8" | 41034 | \$ 27 ea |
| Skid Shoe | 1/4" | PD | (F) 16 1/4" x 15 1/4" | 41037 | \$ 58 ea |
| Skid Shoe | 1/4" | PD | (G) 16 1/4" x 15 1/4" | 41038 | \$ 58 ea |
| Skid Shoe | 1/4" | PD | (H) 17 1/8" x 17 5/8" | 41033 | \$ 66 ea |
| Skid Shoe | 1/4" | PD | (I) 6 1/8" x 12 3/4" | 41035 | \$ 28 ea |
| Skid Shoe | 1/4" | PD | (J) 12 5/8" x 17 5/8" | 41032 | \$ 58 ea |
| Right End Skid Shoe | 1/4" | PD | (K) 7 7/8" x 40" | 41039 | \$ 50 ea |

*PD = Pre-drilled

Hardware included = 10-16 Pound Rivets. Extra rivets can be purchased on page 149.

CENTER SKID SHOE FOR CLAAS / LEXION



10.25" x 9" - 3/8" Thick

Fits Models:

LEXION F540/F535/G540/G535

CLAAS MAXFLEX 1200/1050

CLAAS MAXFLEX 930/770

42728 - \$ 22 ea

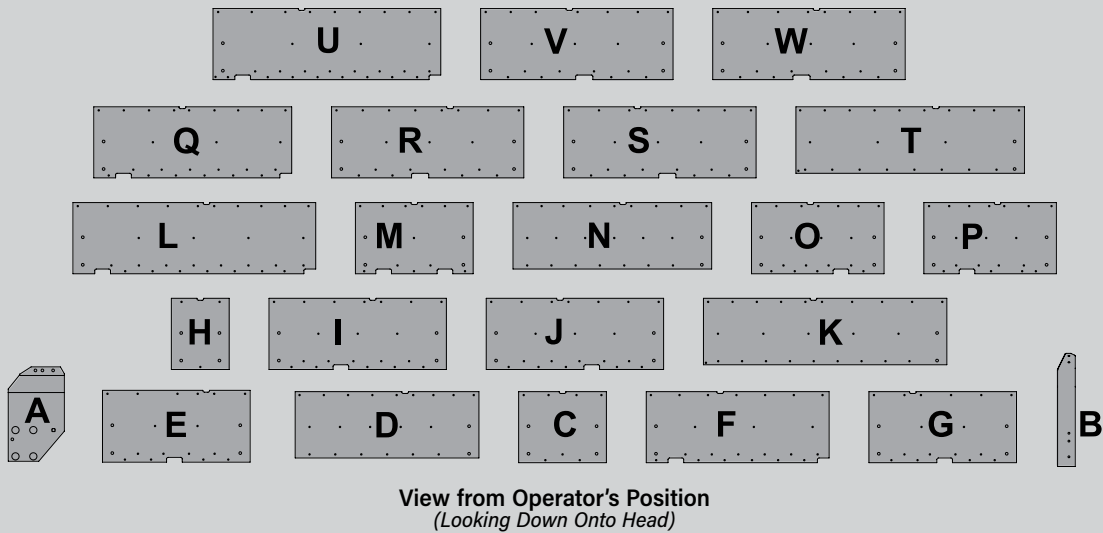
Replaces OEM Part #3591080

Includes Hardware, Size #86 Small Head Pop Rivets.

PREMIUM POLY SKID SHOES - HARDWARE INCLUDED

SKID SHOES FOR GLEANER / MASSEY 400 / 500 / 700 / 700C / 800 / 800C / 7000 / 8000 & SERIES III - 1987 & NEWER - 1/4" THICK

PREDRILLED & UNDRILLED



KITS FOR GLEANER / MASSEY 400 / 500 / 700 / 700C / 800 / 800C / 7000 / 8000 & SERIES III - (1987 & NEWER) 1/4" THICK

| SET SIZE | SHOE THICKNESS | PD*/UD** | PART NO - SILVER | PART NO - WHITE | RETAIL PRICE |
|----------|----------------|----------|------------------|-----------------|--------------|
| 30 ft | 1/4" | PD | 81669 | - | \$ 969 set |
| 25 ft | 1/4" | PD | 81671 | - | \$ 745 set |
| 24 ft | 1/4" | PD | 81672 | - | \$ 745 set |
| | 1/4" | UD | - | 81716 | \$ 622 set |
| 22 ft | 1/4" | PD | 81673 | - | \$ 704 set |
| | 1/4" | UD | - | 81483 | \$ 551 set |
| 20 ft | 1/4" | PD | 81674 | - | \$ 653 set |
| | 1/4" | UD | - | 81482 | \$ 505 set |
| 18 ft | 1/4" | PD | 81675 | - | \$ 566 set |
| | 1/4" | UD | - | 81481 | \$ 479 set |
| 16 ft | 1/4" | PD | 81676 | - | \$ 541 set |
| | 1/4" | UD | - | 81480 | \$ 428 set |
| 15 ft | 1/4" | PD | 81677 | - | \$ 525 set |
| | 1/4" | UD | - | 81479 | \$ 372 set |
| 13 ft | 1/4" | PD | 81678 | - | \$ 474 set |
| | 1/4" | UD | - | 81478 | \$ 326 set |

*PD = Predrilled, **UD = Undrilled

Hardware included = 10-16 Pound Rivets. Extra rivets can be purchased on page 149. End Shoes "A" and "B" use Nuts & Bolts.

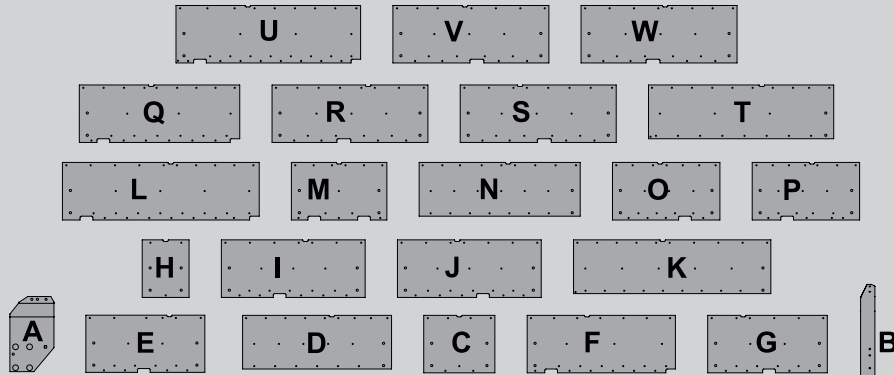
Also available for easy installation:
 May Wes Pound Rivet Tool
81320 \$ 41 ea



PREMIUM POLY SKID SHOES - HARDWARE INCLUDED

REPLACEMENT PARTS FOR GLEANER / MASSEY 400 / 500 / 700 / 700C / 800 / 800C / 7000 / 8000 & SERIES III - 1987 & NEWER - 1/4" THICK

PREDRILLED & UNDRILLED



LEFT

View from Operator's Position
(Looking Down Onto Head)

RIGHT

REPLACEMENT PARTS FOR GLEANER / MASSEY 400 / 500 / 700 / 700C / 800 / 800C / 7000 / 8000 & SERIES III - (1987 & NEWER) - 1/4" THICK

| DESCRIPTION | SHOE THICKNESS | PD*/UD** | PART NO LEFT - SILVER | PART NO RIGHT - SILVER | RETAIL PRICE | PART NO RIGHT - WHITE | RETAIL PRICE |
|------------------------|----------------|----------|-----------------------|------------------------|--------------|-----------------------|--------------|
| 49" x 14" End | 1/4" | PD | (L) 40344 | (K) 40343 | \$ 163 ea | - | - |
| | 1/4" | UD | - | - | - | 40398 | \$ 108 ea |
| 46" x 14" End | 1/4" | PD | (U) 40356 | (T) 40355 | \$ 153 ea | - | - |
| | 1/4" | UD | - | - | - | 40397 | \$ 106 ea |
| 40" x 14" End | 1/4" | PD | (Q) 40354 | (N) 40353 | \$ 139 ea | - | - |
| | 1/4" | UD | - | - | - | 40396 | \$ 103 ea |
| 38 5/8" x 14" | 1/4" | PD | (R) 40342 | (S) 40352 | \$ 129 ea | - | - |
| | 1/4" | UD | - | - | - | 40393 | \$ 93 ea |
| 37" x 14" | 1/4" | PD | (D) 40351 | (F) 40350 | \$ 122 ea | - | - |
| | 1/4" | UD | - | - | - | 40394 | \$ 94 ea |
| 35 5/8" x 14" | 1/4" | PD | (I) 40341 | (J) 40349 | \$ 112 ea | - | - |
| | 1/4" | UD | - | - | - | 40392 | \$ 110 ea |
| 29 5/8" x 14" | 1/4" | PD | (E) 40340 | (G) 40348 | \$ 101 ea | - | - |
| | 1/4" | UD | - | - | - | 40391 | \$ 71 ea |
| 26 5/8" x 14" | 1/4" | PD | (O) 40339 | (P) 40347 | \$ 91 ea | - | - |
| | 1/4" | UD | - | - | - | 40390 | \$ 63 ea |
| 23 5/8" x 14" | 1/4" | PD | - | (M) 40338 | \$ 81 ea | - | - |
| | 1/4" | UD | - | - | - | 40389 | \$ 59 ea |
| 17 5/8" x 14" | 1/4" | PD | - | (C) 40337 | \$ 60 ea | - | - |
| | 1/4" | UD | - | - | - | 40388 | \$ 48 ea |
| 11 5/8" x 14" | 1/4" | PD | - | (H) 40336 | \$ 45 ea | - | - |
| | 1/4" | UD | - | - | - | 40387 | \$ 30 ea |
| 38 5/8" x 14" End Shoe | 1/4" | PD | (V) 40893 | (W) 40892 | \$ 129 ea | - | - |
| 11" x 20 1/2" | 1/4" | PD | (A) 40346 | - | \$ 44.25 ea | - | - |
| 3 3/4" x 26" | 1/4" | PD | - | (B) 40345 | \$ 31 ea | - | - |
| End Shoes | 1/4" | UD | - | - | - | 40175 | \$ 78 ea |

*PD = Predrilled, **UD = Undrilled

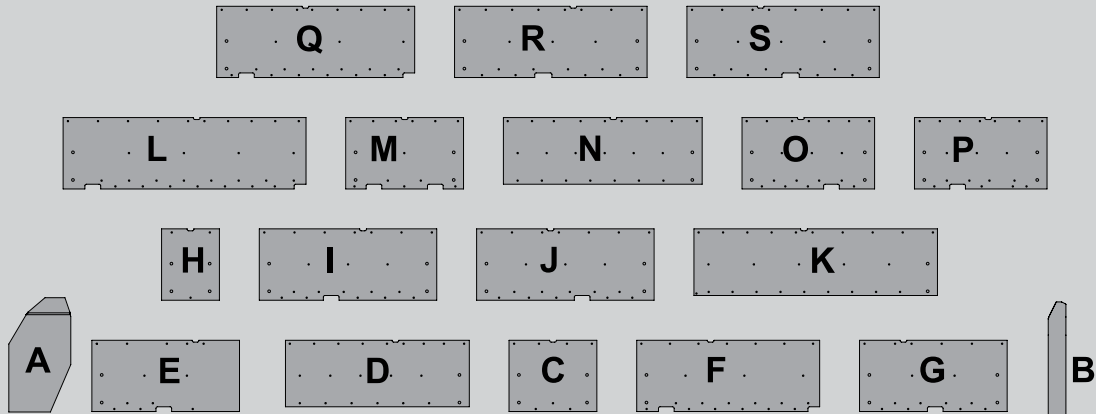
Hardware included = 10-16 Pound Rivets. Extra rivets can be purchased on page 149.

Parts 40346 (A), 40345 (B) and 40175 use Nuts & Bolts.

PREMIUM POLY SKID SHOES - HARDWARE INCLUDED

SKID SHOES FOR GLEANER / MASSEY SERIES III PRE-1987 - 1/4" THICK

PREDRILLED & UNDRILLED



LEFT

View from Operator's Position
(Looking Down Onto Head)

RIGHT

KITS FOR GLEANER / MASSEY SERIES III - PRE-1987 - 1/4" THICK

| SET SIZE | SHOE THICKNESS | PD*/UD** | PART NO - SILVER | PART NO - WHITE | RETAIL PRICE |
|----------|----------------|----------|------------------|-----------------|--------------|
| 24 ft | 1/4" | PD | 80201 | - | \$ 745 set |
| | 1/4" | UD | - | 80203 | \$ 571 set |
| 22 ft | 1/4" | PD | 80198 | - | \$ 704 set |
| | 1/4" | UD | - | 80200 | \$ 536 set |
| 20 ft | 1/4" | PD | 80195 | - | \$ 663 set |
| | 1/4" | UD | - | 80197 | \$ 505 set |
| 18 ft | 1/4" | PD | 80192 | - | \$ 563 set |
| | 1/4" | UD | - | 80194 | \$ 447 set |
| 16 ft | 1/4" | PD | 80189 | - | \$ 541 set |
| | 1/4" | UD | - | 80191 | \$ 413 set |
| 15 ft | 1/4" | PD | 80186 | - | \$ 525 set |
| | 1/4" | UD | - | 80188 | \$ 372 set |
| 13 ft | 1/4" | PD | 80183 | - | \$ 474 set |
| | 1/4" | UD | - | 80185 | \$ 327 set |

NOTE: SKID SHOES "A" AND "B" ARE UNDRILLED IN ALL KITS.

*PD = Predrilled, **UD = Undrilled

Hardware included = 10-16 Pound Rivets. Extra rivets can be purchased on page 149. End Shoes "A" and "B" use Nuts & Bolts.

Also available for easy installation:
May Wes Pound Rivet Tool
81320 \$ 41 ea

Learn more about May Wes Poly Skid Shoes

Scan the QR code with your smartphone to watch our FAQ video on YouTube.

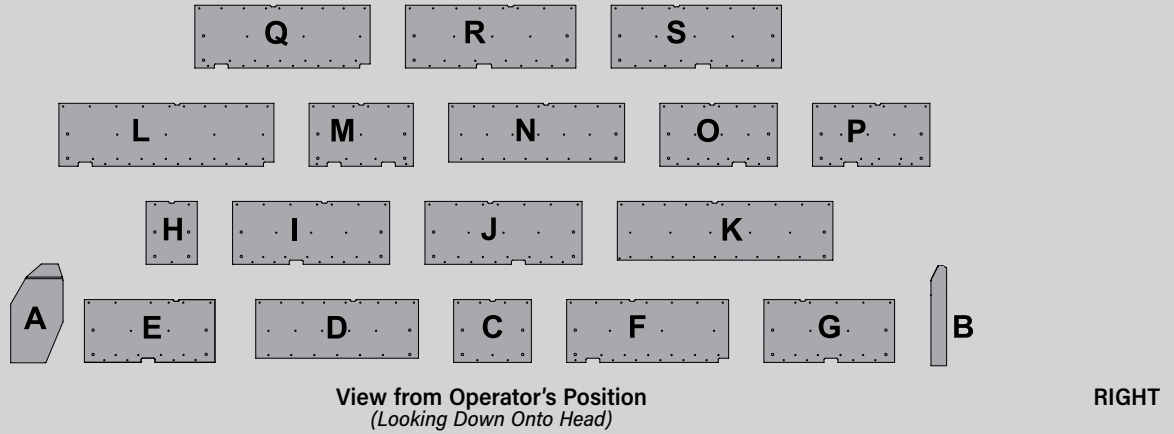


PREMIUM POLY SKID SHOES - HARDWARE INCLUDED

SKID SHOES

**REPLACEMENT PARTS FOR GLEANER / MASSEY SERIES III
PRE-1987 - 1/4" THICK**

PREDRILLED & UNDRILLED



REPLACEMENT PARTS FOR GLEANER / MASSEY SERIES III - PRE-1987 - 1/4" THICK

| DESCRIPTION | SHOE THICKNESS | PD*/UD** | PART NO LEFT - SILVER | PART NO RIGHT - SILVER | RETAIL PRICE | PART NO RIGHT - WHITE | RETAIL PRICE |
|---|----------------|----------|-----------------------|------------------------|--------------|-----------------------|--------------|
| 49" x 14" End | 1/4" | PD | (L) 40218 | (K) 40030 | \$ 164 ea | - | - |
| | 1/4" | UD | - | - | - | 40410 | \$ 109 ea |
| 40" x 14" End | 1/4" | PD | (Q) 40380 | (N) 40379 | \$ 139 ea | - | - |
| | 1/4" | UD | - | - | - | 40408 | \$ 103 ea |
| 38 5/8" x 14" | 1/4" | PD | (R) 40378 | (S) 40377 | \$ 134 ea | - | - |
| | 1/4" | UD | - | - | - | 40405 | \$ 90 ea |
| 37" x 14" | 1/4" | PD | (D) 40382 | (F) 40381 | \$ 145 ea | - | - |
| | 1/4" | UD | - | - | - | 40406 | \$ 94 ea |
| 35 5/8" x 14" | 1/4" | PD | (I) 40374 | (J) 40373 | \$ 112 ea | - | - |
| | 1/4" | UD | - | - | - | 40404 | \$ 84 ea |
| 29 5/8" x 14" | 1/4" | PD | (E) 40372 | (G) 40371 | \$ 101 ea | - | - |
| | 1/4" | UD | - | - | - | 40403 | \$ 72 ea |
| 26 5/8" x 14" | 1/4" | PD | (O) 40370 | (P) 40369 | \$ 90 ea | - | - |
| | 1/4" | UD | - | - | - | 40402 | \$ 63 ea |
| 23 5/8" x 14" | 1/4" | PD | - | (M) 40368 | \$ 80 ea | - | - |
| | 1/4" | UD | - | - | - | 40401 | \$ 58 ea |
| 17 5/8" x 14" | 1/4" | PD | - | (C) 40367 | \$ 60 ea | - | - |
| | 1/4" | UD | - | - | - | 40400 | \$ 58 ea |
| 11 5/8" x 14" End Shoe | 1/4" | PD | - | (H) 40366 | \$ 45 ea | - | - |
| | 1/4" | UD | - | - | - | 40399 | \$ 30 ea |
| 12" x 22 5/8" | 1/4" | UD | (A) 42234 | - | \$ 54 ea | - | - |
| 5 1/2" x 18" | 1/4" | UD | - | (B) 42194 | \$ 31 ea | - | - |
| End Shoes Left - 12" x 22 5/8" Right - 5 1/2" x 18" | 1/4" | UD | - | 42195 | \$ 74 pr | 40174 | \$ 74 ea |

*PD = Predrilled, **UD = Undrilled

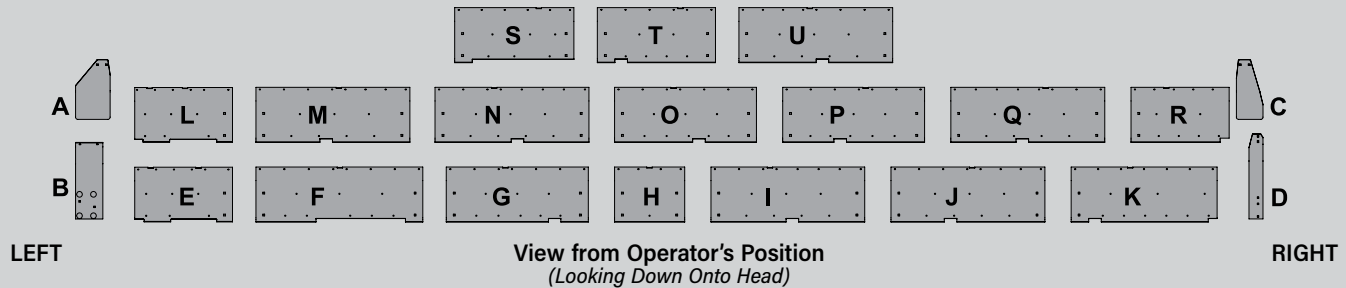
Hardware included = 10-16 Pound Rivets. Extra rivets can be purchased on page 149.

Parts 40346 (A), 40345 (B) and 40175 use Nuts & Bolts.

PREMIUM POLY SKID SHOES - HARDWARE INCLUDED

SKID SHOES FOR GLEANER / MASSEY 7200 / 8200 SERIES - 1/4" THICK

PREDRILLED



KITS FOR GLEANER / MASSEY 7200 / 8200 SERIES - 1/4" THICK

| SET SIZE | SHOE THICKNESS | PD* | PART NO - SILVER | RETAIL PRICE |
|----------|----------------|-----|------------------|--------------|
| 35 ft | 1/4" | PD | 83514 | \$ 1122 set |
| 30 ft | 1/4" | PD | 83513 | \$ 969 set |
| 25 ft | 1/4" | PD | 83512 | \$ 815 set |
| 20 ft | 1/4" | PD | 83511 | \$ 713 set |

REPLACEMENT PARTS FOR GLEANER / MASSEY 7200 / 8200 SERIES - 1/4" THICK

| DESCRIPTION | SHOE THICKNESS | PD* | SIZE | PART NO - SILVER | RETAIL PRICE |
|--------------------|----------------|-----|-----------------------|------------------|--------------|
| Left Divider Shoe | 1/4" | PD | (A) 8 5/8" x 15 1/4" | 42082 | \$ 40 ea |
| Left End Shoe | 1/4" | PD | (B) 6 3/4" x 20" | 42083 | \$ 34 ea |
| Right Divider Shoe | 1/4" | PD | (C) 6 3/4" x 15 3/4" | 42081 | \$ 40 ea |
| Right End Shoe | 1/4" | PD | (D) 3 1/2" x 21 3/8" | 42084 | \$ 31 ea |
| Skid Shoe | 1/4" | PD | (E) 13" x 24 1/2" | 42079 | \$ 76 ea |
| Skid Shoe | 1/4" | PD | (F) 13 7/8" x 42" | 42093 | \$ 126 ea |
| Skid Shoe | 1/4" | PD | (G) 13 7/8" x 35 5/8" | 42095 | \$ 112 ea |
| Skid Shoe | 1/4" | PD | (H) 13 7/8" x 17 5/8" | 42089 | \$ 70 ea |
| Skid Shoe | 1/4" | PD | (I) 13 7/8" x 38 5/8" | 42096 | \$ 124 ea |
| Skid Shoe | 1/4" | PD | (J) 13 7/8" x 38 5/8" | 42097 | \$ 124 ea |
| Skid Shoe | 1/4" | PD | (K) 13 7/8" x 36 5/8" | 42090 | \$ 112 ea |
| Skid Shoe | 1/4" | PD | (L) 13" x 24 5/8" | 42080 | \$ 77 ea |
| Skid Shoe | 1/4" | PD | (M) 13 7/8" x 38 5/8" | 42091 | \$ 124 ea |
| Skid Shoe | 1/4" | PD | (N) 13 7/8" x 38 5/8" | 42087 | \$ 124 ea |
| Skid Shoe | 1/4" | PD | (O) 13 7/8" x 35 5/8" | 42085 | \$ 111 ea |
| Skid Shoe | 1/4" | PD | (P) 13 7/8" x 35 5/8" | 42086 | \$ 111 ea |
| Skid Shoe | 1/4" | PD | (Q) 13 7/8" x 38 5/8" | 42088 | \$ 124 ea |
| Skid Shoe | 1/4" | PD | (R) 13 7/8" x 24 5/8" | 42098 | \$ 81 ea |
| Skid Shoe | 1/4" | PD | (S) 13 7/8" x 30" | 42077 | \$ 86 ea |
| Skid Shoe | 1/4" | PD | (T) 13 7/8" x 29 5/8" | 42094 | \$ 87 ea |
| Skid Shoe | 1/4" | PD | (U) 13 7/8" x 38 5/8" | 42092 | \$ 126 ea |

*PD = Predrilled

Hardware included = 86 Small Head Pop Rivets.
 Extra rivets can be purchased on page 149.
 Parts 42082 (A), 42083 (B), 42081 (C) and
 42084 (D) use Nuts & Bolts.

Learn more
 about May Wes
 Poly Skid Shoes

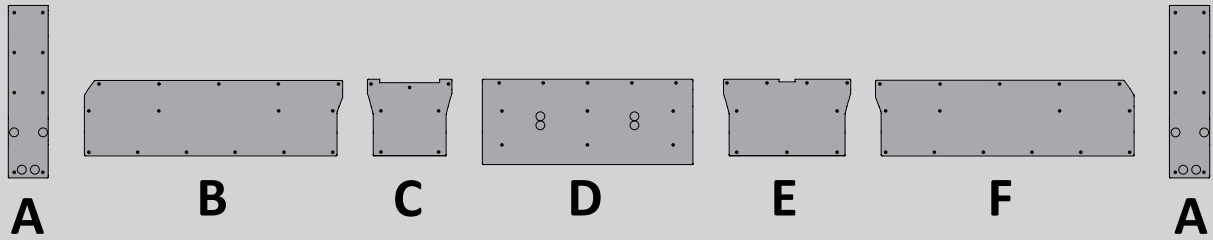
Scan the QR code with your
 smartphone to watch our
 FAQ video on YouTube.



PREMIUM POLY SKID SHOES - HARDWARE INCLUDED

SKID SHOES FOR GLEANER / MASSEY 9255 SERIES DRAPER BEFORE SERIAL #HHD01101 - 1/4" THICK

PREDRILLED



LEFT

View from Operator's Position
(Looking Down Onto Head)

RIGHT

KITS FOR GLEANER / MASSEY 9255 - SERIAL # PRIOR TO HHD01101 - 1/4" THICK

| SET SIZE | SHOE THICKNESS | PD* | PART NO - SILVER | RETAIL PRICE |
|----------|----------------|-----|------------------|--------------|
| 40 ft | 1/4" | PD | 83681 | \$ 1418 set |
| 35 ft | 1/4" | PD | 83680 | \$ 1244 set |
| 30 ft | 1/4" | PD | 83679 | \$ 1071 set |
| 25 ft | 1/4" | PD | 83678 | \$ 907 set |

REPLACEMENT PARTS FOR GLEANER / MASSEY 9255 - SERIAL # PRIOR TO HHD01101 - 1/4" THICK

| DESCRIPTION | SHOE THICKNESS | PD* | SIZE | PART NO - SILVER | RETAIL PRICE |
|-------------|----------------|-----|-----------------------|------------------|--------------|
| End Shoe | 3/4" | PD | (A) 5 1/2" x 23 5/8" | 42307 | \$ 135 ea |
| Skid Shoe | 1/4" | PD | (B) 10 3/8" x 35 5/8" | 42305 | \$ 107 ea |
| Skid Shoe | 1/4" | PD | (C) 10 1/2" x 11 5/8" | 42303 | \$ 44 ea |
| Skid Shoe | 1/4" | PD | (D) 11 3/4" x 29" | 42306 | \$ 106 ea |
| Skid Shoe | 1/4" | PD | (E) 10 1/2" x 17 1/2" | 42304 | \$ 51 ea |
| Skid Shoe | 1/4" | PD | (F) 10 3/8" x 35 5/8" | 42302 | \$ 107 ea |

*PD = Predrilled

Hardware included = 86 Small Head Pop Rivets. Extra rivets can be purchased on page 149. Part 42307 (A) uses M8 Bolts.



SLICKPLATE™
BY MINIMIZER™

**No Grease or Mess.
Saves Time and Money.**

BENEFITS INCLUDE:

- **NON-STICK POLY SURFACE**
ELIMINATES NEED TO GREASE
- **PROLONG YOUR FIFTH WHEEL LIFE**
DEBRIS WILL NOT STICK
- **LESS FRICTION** FOR EASIER HANDLING AND MANEUVERABILITY
- **BASIC INSTALLATION**
ALL HARDWARE INCLUDED

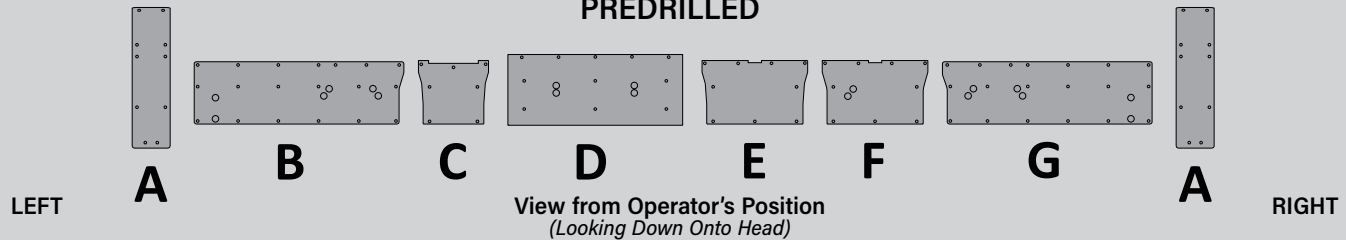
Made in the U.S.A.

FIND IT ON PAGE 147

PREMIUM POLY SKID SHOES - HARDWARE INCLUDED

SKID SHOES FOR AGCO 9255 SERIES DRAPER AFTER SERIAL #HHD01101 STANDARD SKID - 1/4" THICK

PREDRILLED



KITS FOR AGCO 9255 SERIES DRAPER - AFTER SERIAL #HHD01101 STANDARD SKID - 1/4" THICK

| SET SIZE | SHOE THICKNESS | PD* | PART NO - SILVER | RETAIL PRICE |
|----------|----------------|-----|------------------|--------------|
| 45 ft | 1/4" | PD | 83898 | \$ 1520 set |
| 40 ft | 1/4" | PD | 83897 | \$ 1418 set |
| 35 ft | 1/4" | PD | 83896 | \$ 1244 set |
| 30 ft | 1/4" | PD | 83895 | \$ 1071 set |
| 25 ft | 1/4" | PD | 83894 | \$ 907 set |

REPLACEMENT PARTS FOR AGCO 9255 SERIES DRAPER - AFTER SERIAL #HHD01101 STANDARD SKID - 1/4" THICK

| DESCRIPTION | SHOE THICKNESS | PD* | SIZE | PART NO - SILVER | RETAIL PRICE |
|-------------|----------------|-----|-----------------------|------------------|--------------|
| End Shoe | 1/4" | PD | (A) 6 1/4" x 23 3/8" | 42497 | \$ 87 ea |
| Skid Shoe | 1/4" | PD | (B) 10 3/8" x 34 3/4" | 42498 | \$ 104 ea |
| Skid Shoe | 1/4" | PD | (C) 10 1/2" x 11 5/8" | 42303 | \$ 44 ea |
| Skid Shoe | 1/4" | PD | (D) 11 3/4" x 29" | 42306 | \$ 106 ea |
| Skid Shoe | 1/4" | PD | (E) 10 1/2" x 17 1/2" | 42304 | \$ 51 ea |
| Skid Shoe | 1/4" | PD | (F) 10 1/2" x 17 1/2" | 42499 | \$ 50 ea |
| Skid Shoe | 1/4" | PD | (G) 10 3/8" x 34 3/4" | 42495 | \$ 107 ea |

*PD = Predrilled

Hardware included = 86 Small Head Pop Rivets. Extra rivets can be purchased on page 149.

SKID SHOE FOR HONEY BEE AIRFLEX / AIRFLEX SDX / RDX SERIES DRAPER

7 1/8" x 11 7/8" - Clips on, no hardware required.



Fits Models:
 Airflex
 Airflex SDX
 RDX

83920 - \$191 - 10 pk
23085 - \$22 - ea

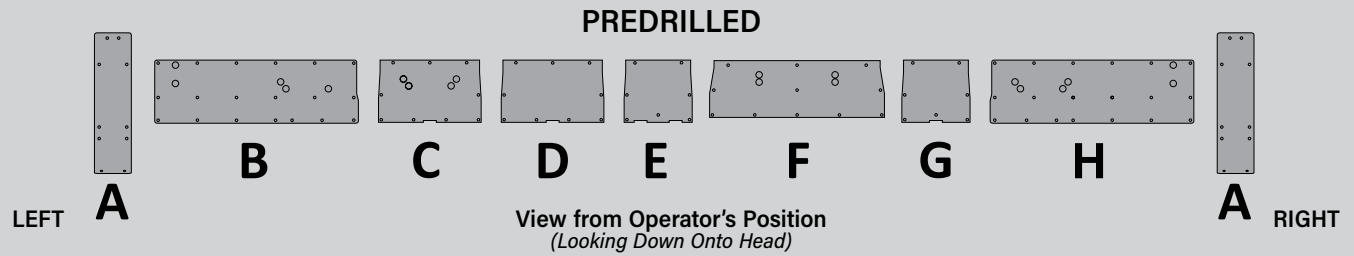
Replaces OEM Part # 200589



Check out our website - WWW.MAYWES.COM
 for more information, installation instructions and our full lineup of poly products.

PREMIUM POLY SKID SHOES - HARDWARE INCLUDED

SKID SHOES FOR AGCO 9255 SERIES DRAPER AFTER SERIAL #HHD01101 LOW SKID - 1/4" THICK



KITS FOR AGCO 9255 SERIES DRAPER - AFTER SERIAL #HHD01101 LOW SKID - 1/4" THICK

| SET SIZE | SHOE THICKNESS | PD* | PART NO - SILVER | RETAIL PRICE |
|----------|----------------|-----|------------------|--------------|
| 45 ft | 1/4" | PD | 83903 | \$ 1520 set |
| 40 ft | 1/4" | PD | 83902 | \$ 1418 set |
| 35 ft | 1/4" | PD | 83901 | \$ 1244 set |
| 30 ft | 1/4" | PD | 83900 | \$ 1071 set |
| 25 ft | 1/4" | PD | 83899 | \$ 907 set |

REPLACEMENT PARTS FOR AGCO 9255 SERIES DRAPER - AFTER SERIAL #HHD01101 LOW SKID - 1/4" THICK

| DESCRIPTION | SHOE THICKNESS | PD* | SIZE | PART NO - SILVER | RETAIL PRICE |
|-------------|----------------|-----|------------------------|------------------|--------------|
| End Shoe | 1/4" | PD | (A) 6 1/4" x 24" | 43193 | \$ 87 ea |
| Skid Shoe | 1/4" | PD | (B) 10 3/4" x 34 3/4" | 43194 | \$ 104 ea |
| Skid Shoe | 1/4" | PD | (C) 10 5/8" x 17 1/2" | 43195 | \$ 50 ea |
| Skid Shoe | 1/4" | PD | (D) 10 5/8" x 17 5/8" | 42099 | \$ 49 ea |
| Skid Shoe | 1/4" | PD | (E) 10 5/8" x 11 3/4" | 42104 | \$ 40 ea |
| Skid Shoe | 1/4" | PD | (F) 9 3/4" x 29 15/16" | 42101 | \$ 106 ea |
| Skid Shoe | 1/4" | PD | (G) 10 5/8" x 11 5/8" | 42100 | \$ 40 ea |
| Skid Shoe | 1/4" | PD | (H) 10 3/4" x 34 3/4" | 43196 | \$ 107 ea |

*PD = Predrilled

Hardware included = 86 Small Head Pop Rivets. Extra rivets can be purchased on page 149.

Part 43193 (A) uses Nuts & Bolts.

SKID SHOES



CROP DIVIDERS

- Available in Red or Green
- Marker Rods Included

**HIGH ABRASION
RESISTANCE**

[LEARN MORE ON PAGE 125](#)

RIDE TAMER FOR ZERO-TURN MOWERS



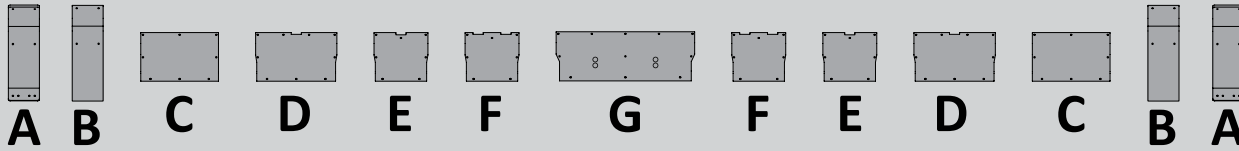
Patented torsion suspension and trailing arm design provides significant ride improvement and reduces frame stress.

[FIND IT ON PAGE 146](#)

PREMIUM POLY SKID SHOES - HARDWARE INCLUDED

SKID SHOES FOR GLEANER / MASSEY 9250 SERIES DRAPER SERIAL #CHD01101-FHD01100 HIGH PROFILE / AFTER SERIAL #FHD01101 HIGH PROFILE - 1/4" THICK

PREDRILLED



LEFT

View from Operator's Position
(Looking Down Onto Head)

RIGHT

KITS FOR GLEANER / MASSEY 9250 SERIES DRAPER - SERIAL #CHD01101-FHD01100 - 1/4" THICK

| SET SIZE | SHOE THICKNESS | PD* | PART NO - SILVER | RETAIL PRICE |
|----------|----------------|-----|------------------|--------------|
| 40 ft | 1/4" | PD | 83510 | \$ 1229 set |
| 35 ft | 1/4" | PD | 83509 | \$ 1102 set |
| 30 ft | 1/4" | PD | 83508 | \$ 959 set |
| 25 ft | 1/4" | PD | 83507 | \$ 815 set |

KITS FOR GLEANER / MASSEY 9250 SERIES DRAPER - AFTER SERIAL #FHD01100 - 1/4" THICK

| SET SIZE | SHOE THICKNESS | PD* | PART NO - SILVER | RETAIL PRICE |
|----------|----------------|-----|------------------|--------------|
| 40 ft | 1/4" | PD | 83575 | \$ 1229 set |
| 35 ft | 1/4" | PD | 83574 | \$ 1102 set |
| 30 ft | 1/4" | PD | 83573 | \$ 959 set |
| 25 ft | 1/4" | PD | 83572 | \$ 815 set |

REPLACEMENT PARTS FOR GLEANER / MASSEY 9250 SERIES DRAPER - SERIAL #CHD01101 - FHD01100 & AFTER SERIAL #FHD01100 - 1/4" THICK

| DESCRIPTION | SHOE THICKNESS | PD* | SIZE | PART NO - SILVER | RETAIL PRICE |
|-------------|----------------|-----|------------------------|------------------|--------------|
| End Shoe | 1/2" | PD | (A) 6 3/4" x 20 5/8" | 42209 | \$ 57 ea |
| End Shoe | 1/4" | PD | (B) 6 3/4" x 20" | 42075 | \$ 37 ea |
| Skid Shoe | 1/4" | PD | (C) 10 1/2" x 16 3/4" | 42076 | \$ 46 ea |
| Skid Shoe | 1/4" | PD | (D) 10 1/2" x 17 9/16" | 42071 | \$ 50 ea |
| Skid Shoe | 1/4" | PD | (E) 10 1/2" x 11 5/8" | 42072 | \$ 40 ea |
| Skid Shoe | 1/4" | PD | (F) 10 1/2" x 11 5/8" | 42073 | \$ 40 ea |
| Skid Shoe | 1/4" | PD | (G) 10 5/8" x 30" | 42074 | \$ 106 ea |

*PD = Predrilled

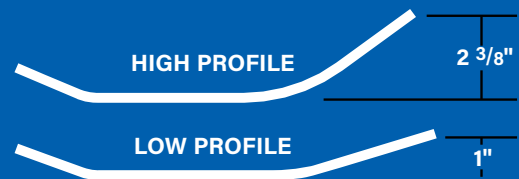
Hardware included = 86 Small Head Pop Rivets. Extra rivets can be purchased on page 149.

Dynaflex Header Field Campaign:

A Field Campaign was announced in November 2011 for the Dynaflex Header Platform affecting the serial numbers listed below. This campaign updates the skid shoe configuration from a low profile to a high profile. **Please verify with an AGCO Dealer** if this change has been incorporated on your Dynaflex Head. If this change has been implemented, please order poly skid shoes for the following serial number break: CHD01101-FHD01100 High Profile (**Page 91**)

Serial Numbers Involved:

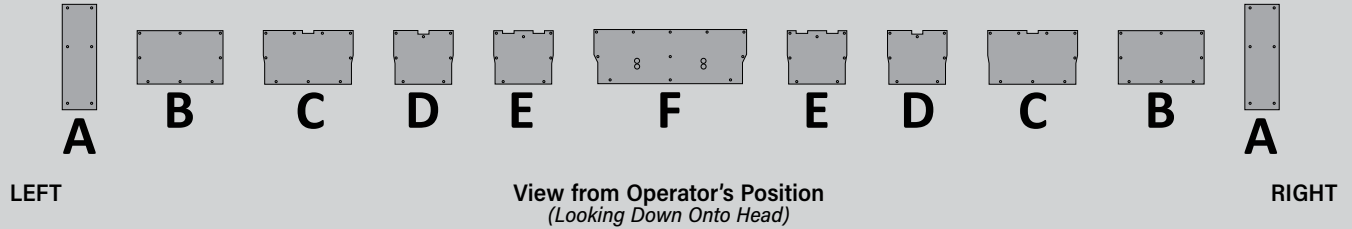
| | | |
|-----------------|------|----------------------------|
| Challenger | FDH | Prior to AGCCFDH00BHD01514 |
| Gleaner | 9250 | Prior to AGCR92500BHD01530 |
| Massey Ferguson | 9250 | Prior to AGCM92500BHD01520 |



PREMIUM POLY SKID SHOES - HARDWARE INCLUDED

SKID SHOES FOR GLEANER / MASSEY 9250 SERIES DRAPER SERIAL #AHD01101-CHD01100 HIGH PROFILE - 1/4" THICK

PREDRILLED



KITS FOR GLEANER / MASSEY 9250 SERIES DRAPER - SERIAL #AHD01101-CHD01100 - 1/4" THICK

| SET SIZE | SHOE THICKNESS | PD* | PART NO - SILVER | RETAIL PRICE |
|----------|----------------|-----|------------------|--------------|
| 40 ft | 1/4" | PD | 83506 | \$ 1229 set |
| 35 ft | 1/4" | PD | 83505 | \$ 1102 set |
| 30 ft | 1/4" | PD | 83504 | \$ 959 set |
| 25 ft | 1/4" | PD | 83503 | \$ 815 set |

REPLACEMENT PARTS FOR GLEANER / MASSEY 9250 SERIES DRAPER - SERIAL #AHD01101-CHD01100 - 1/4" THICK

| DESCRIPTION | SHOE THICKNESS | PD* | SIZE | PART NO - SILVER | RETAIL PRICE |
|-------------|----------------|-----|-----------------------|------------------|--------------|
| End Shoe | 1/4" | PD | (A) 6 3/4" x 20" | 42102 | \$ 37 ea |
| Skid Shoe | 1/4" | PD | (B) 10 5/8" x 16 3/4" | 42103 | \$ 45 ea |
| Skid Shoe | 1/4" | PD | (C) 10 5/8" x 17 5/8" | 42099 | \$ 49 ea |
| Skid Shoe | 1/4" | PD | (D) 10 5/8" x 11 5/8" | 42100 | \$ 40 ea |
| Skid Shoe | 1/4" | PD | (E) 10 5/8" x 11 3/4" | 42104 | \$ 40 ea |
| Skid Shoe | 1/4" | PD | (F) 9 3/4" x 30" | 42101 | \$ 106 ea |

*PD = Predrilled

Hardware included = 86 Small Head Pop Rivets. Extra rivets can be purchased on page 149.



42102



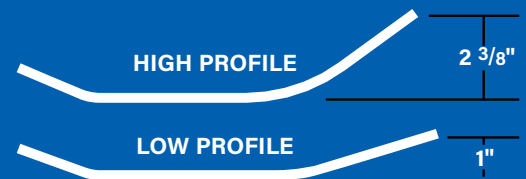
42099

Dynaflex Header Field Campaign:

A Field Campaign was announced in November 2011 for the Dynaflex Header Platform affecting the serial numbers listed below. This campaign updates the skid shoe configuration from a low profile to a high profile. **Please verify with an AGCO Dealer** if this change has been incorporated on your Dynaflex Head. If this change has been implemented, please order poly skid shoes for the following serial number break: CHD01101-FHD01100 High Profile (**Page 91**)

Serial Numbers Involved:

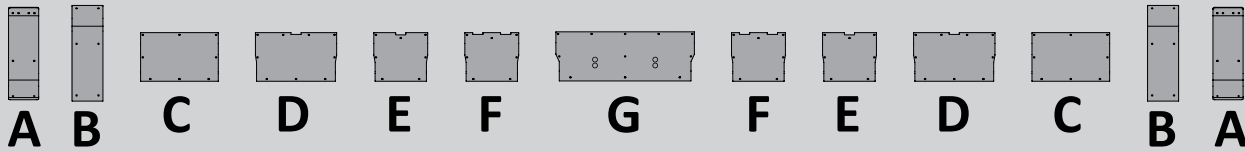
| | | |
|-----------------|------|----------------------------|
| Challenger | FDH | Prior to AGCCFDH00BHD01514 |
| Gleaner | 9250 | Prior to AGCR92500BHD01530 |
| Massey Ferguson | 9250 | Prior to AGCM92500BHD01520 |



PREMIUM POLY SKID SHOES - HARDWARE INCLUDED

SKID SHOES FOR GLEANER / MASSEY 9250 SERIES DRAPER SERIAL #AHD01101-FHD01100 LOW PROFILE / AFTER SERIAL #FHD01101 LOW PROFILE - 1/4" THICK

PREDRILLED



LEFT

View from Operator's Position
(Looking Down Onto Head)

RIGHT

KITS FOR GLEANER / MASSEY 9250 SERIES DRAPER - SERIAL #AHD01101-FHD01100 - 1/4" THICK

| SET SIZE | SHOE THICKNESS | PD* | PART NO - SILVER | RETAIL PRICE |
|----------|----------------|-----|------------------|--------------|
| 40 ft | 1/4" | PD | 83506 | \$ 1229 set |
| 35 ft | 1/4" | PD | 83505 | \$ 1102 set |
| 30 ft | 1/4" | PD | 83504 | \$ 959 set |
| 25 ft | 1/4" | PD | 83503 | \$ 815 set |

KITS FOR GLEANER / MASSEY 9250 SERIES DRAPER - AFTER SERIAL #FHD01100 - 1/4" THICK

| SET SIZE | SHOE THICKNESS | PD* | PART NO - SILVER | RETAIL PRICE |
|----------|----------------|-----|------------------|--------------|
| 40 ft | 1/4" | PD | 83579 | \$ 1229 set |
| 35 ft | 1/4" | PD | 83578 | \$ 1102 set |
| 30 ft | 1/4" | PD | 83577 | \$ 959 set |
| 25 ft | 1/4" | PD | 83576 | \$ 815 set |

REPLACEMENT PARTS FOR GLEANER / MASSEY 9250 SERIES DRAPER - SERIAL #AHD01101-FHD01100 & AFTER SERIAL #FHD01100 - 1/4" THICK

| DESCRIPTION | SHOE THICKNESS | PD* | SIZE | PART NO - SILVER | RETAIL PRICE |
|-------------|----------------|-----|------------------------|------------------|--------------|
| End Shoe | 1/2" | PD | (A) 6 3/4" X 20 5/16" | 42210 | \$ 57 ea |
| End Shoe | 1/4" | PD | (B) 6 3/4" X 20" | 42102 | \$ 37 ea |
| Skid Shoe | 1/4" | PD | (C) 10 5/8" X 16 3/4" | 42103 | \$ 45 ea |
| Skid Shoe | 1/4" | PD | (D) 10 5/8" X 17 9/16" | 42099 | \$ 49 ea |
| Skid Shoe | 1/4" | PD | (E) 10 5/8" X 11 5/8" | 42100 | \$ 40 ea |
| Skid Shoe | 1/4" | PD | (F) 10 5/8" X 11 5/8" | 42104 | \$ 40 ea |
| Skid Shoe | 1/4" | PD | (G) 9 3/4" X 30" | 42101 | \$ 106 ea |

*PD = Predrilled

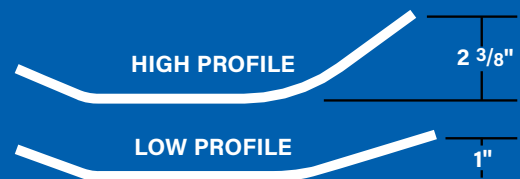
Hardware included = 86 Small Head Pop Rivets. Extra rivets can be purchased on page 149.

Dynaflex Header Field Campaign:

A Field Campaign was announced in November 2011 for the Dynaflex Header Platform affecting the serial numbers listed below. This campaign updates the skid shoe configuration from a low profile to a high profile. **Please verify with an AGCO Dealer** if this change has been incorporated on your Dynaflex Head. If this change has been implemented, please order poly skid shoes for the following serial number break: CHD01101-FHD01100 High Profile (Page 91)

Serial Numbers Involved:

| | | |
|-----------------|------|----------------------------|
| Challenger | FDH | Prior to AGCCFDH00BHD01514 |
| Gleaner | 9250 | Prior to AGCR92500BHD01530 |
| Massey Ferguson | 9250 | Prior to AGCM92500BHD01520 |



Check out our website - WWW.MAYWES.COM
for more information, installation instructions and our full lineup of poly products.

PREMIUM POLY SKID SHOES - HARDWARE INCLUDED

FOR JOHN DEERE DRAPER HEAD - 1/4" THICK - YELLOW

| DESCRIPTION | SHOE THICKNESS | PD* | PART NO - YELLOW | RETAIL PRICE |
|--------------------------|----------------|-----|------------------|--------------|
| Skid - 11 1/4" x 17 3/4" | 1/4" | PD | 41244 | \$ 31 ea |

*PD = Predrilled Hardware included = Size 88 Small Head Pop Rivets. Extra rivets can be purchased on page 149.

SWATHER & HAYBINE POLY SKID SHOES

POLY FLOATS ACROSS THE DIRT WITHOUT BUILD-UP. THERE IS LESS PUSHING AND PILING OF MUD.

PROTECT DAMAGED METAL WITH POLY COVERING.

Poly fits over worn metal shoe and costs less than metal.

SKID SHOES FOR CASE IH (1988 & 1989 Haybines) & Hesston

| DESCRIPTION | SIZE | PART NO | RETAIL PRICE |
|---|---------------|---------|--------------|
| Case IH: - 8360 / 8370 / 8380 / 8830 / 8840 | 16" x 26 3/4" | 80452 | \$ 165 pr |
| Hesston: - 6650 / 8200 / 8400 | | | |
| Case IH: 8380 Middle Pad | 27" x 12" | 80453 | \$ 85 pr |
| Hesston: 8400 Middle Skid | | | |

SKID SHOES FOR CASE IH WINDROWER

| DESCRIPTION | SIZE | PART NO | RETAIL PRICE |
|--------------------------|-------------------|---------|--------------|
| Skid HDX 142 / 162 / 182 | 14 3/4" x 18 1/2" | 41248 | \$ 50 ea |
| Skid HDX 142 / 162 / 182 | 6" x 48" | 41249 | \$ 50 ea |

SKID SHOES FOR NEW HOLLAND

| DESCRIPTION | SIZE | PART NO | RETAIL PRICE |
|--|-------------------|---------|--------------|
| 114 | 14" x 14" | 80349 | \$ 74 pr |
| 114 / 116 | 14" x 12 3/4" | 80360 | \$ 74 pr |
| 116 | 16" x 11 1/2" | 80359 | \$ 74 pr |
| 469 | 14 1/2" x 11 1/2" | 80357 | \$ 74 pr |
| 479 | 14 1/2" x 11 1/2" | 80358 | \$ 74 pr |
| 489 / 499 / 1495 / 1496 | 13" x 13 1/2" | 80363 | \$ 71 pr |
| 1100 | 11" x 13 1/2" | 80353 | \$ 68 pr |
| 1112 / 1114 / 1116 / 1118 / HS14 / HS16 / HS18 | 20" x 15 1/2" | 80356 | \$ 116 pr |
| 1475 / 2200 / 2300 | 14 1/2" x 18 3/4" | 81975 | \$ 98 pr |
| 2440 / 2550 / 2450 / 2540 | 14 3/4" x 19 3/4" | 80398 | \$ 109 pr |
| 2440 / 2550 w Gauge Wheels | 14 3/4" x 28 1/2" | 82058 | \$ 141 pr |

SKID SHOES FOR JOHN DEERE

| DESCRIPTION | SIZE | PART NO | RETAIL PRICE |
|-------------------|-------------------|---------|--------------|
| 300 Auger Middle | 9 1/2" x 40" | 80441 | \$ 145 pr |
| 930 / 936 | 11" x 17 3/4" | 41244 | \$ 31 pr |
| 956 | 15" x 20" | 82693 | \$ 125 pr |
| 1209 / 1219 | 12" x 12" | 80379 | \$ 67 pr |
| 1600 - Predrilled | 21 1/2" x 17 1/2" | 80387 | \$ 154 pr |
| 1600 - Predrilled | 31 1/2" x 17 1/2" | 80388 | \$ 225 pr |
| 2280 | 21" x 11" | 80393 | \$ 91 pr |

Note: Poly Skid Shoe does not replace OEM metal skid plate.

DISC MOWER & DISCBINE POLY SKID SHOES

SKID SHOES FOR NEW HOLLAND

| DESCRIPTION | SIZE | PART NO | RETAIL PRICE |
|--|--------------|---------|--------------|
| 442 / 451 / 453 / 456 / 462 / 463 / 465 - Predrilled | 13" x 13" | 80460 | \$ 35 ea |
| Inner Shoe | 7 1/2" x 23" | 80461 | \$ 39 set |
| Extension Shoe | 8" x 15" | 80462 | \$ 27 set |
| 416 Disc Mower Shoe | 9 1/2" x 18" | 83657 | \$ 38 set |
| Disc Mower Shoe - 1409 / 1410 / 1411 / 1412 / 1431 / 1432 / 1441 / 1442 / 615 / 616 / 617 / 2331 / 2332 / 2335 / 2355 | 8" x 13" | 41246 | \$ 27 set |
| Inner Shoe | 8" x 27" | 41487 | \$ 38 set |

SKID SHOES FOR JOHN DEERE / EARLY NEW HOLLAND

| DESCRIPTION | SIZE | PART NO | RETAIL PRICE |
|-----------------------------|-------------------|---------|--------------|
| Disc Mower - Predrilled | 13" x 13" | 80460 | \$ 35 set |
| Inner Shoe | 7 1/2" x 23" | 80461 | \$ 39 set |
| JD 275 Disc Mower | 12" x 16" | 82486 | \$ 42 set |
| 720 / 820 Mower Conditioner | 9" x 15" | 41251 | \$ 49 pr |
| 890 Mower | 14 3/4" x 25 1/2" | 41564 | \$ 120 pr |

SKID SHOES FOR KUHN

| DESCRIPTION | SIZE | PART NO | RETAIL PRICE |
|---|---------------|---------|--------------|
| GMD 600 / 700 - Predrilled | 13" x 15 1/2" | 80159 | \$ 44 ea |
| Disc Mower Shoe | 13" x 13" | 80460 | \$ 35 ea |
| GMD 600 / 700 Inner Shoe | 7 1/2" x 23" | 80461 | \$ 39 ea |
| Heavy Duty Skid - Predrilled Fits OEM Part #56809120 | 12" x 20" | 84873 | \$ 52 ea |

SKID SHOES FOR KRONE

| DESCRIPTION | SIZE | PART NO | RETAIL PRICE |
|-------------------------|---------------|---------|--------------|
| 0003 AM323-5 | 10 1/2" x 17" | 82227 | \$ 41 ea |
| Disc Mower - Predrilled | 13" x 13" | 80460 | \$ 35 ea |
| AM 282 - Predrilled | 11 1/2" x 13" | 81360 | \$ 46 ea |
| EC 4013 - Predrilled | 11" x 16 3/4" | 41578 | \$ 52 ea |

DON'T SEE YOUR MODEL LISTED?

Bulk poly available. Call 1-800-788-6483.

Note: Poly Skid Shoe does not replace OEM metal skid plate.

GRAIN TANK AUGER TROUGH LINERS - 1/8" THICK



- Save Money on Grain Tank Floor Repair
- Protect the High-Wear Areas in Your Grain Tank
- Prevent Grain Loss

FOR NEW HOLLAND

| PART NO | DESCRIPTION | RETAIL PRICE |
|---------|---|--------------|
| 82799 | All single auger TR models | \$ 290 kit |
| 83399 | CR920 / CR940 / CR960 / CR970 / CR980 / CR8080 / CR9040 / CR9060 / CR9070 | \$ 578 kit |

FOR JOHN DEERE (Covers Both Augers)

| PART NO | DESCRIPTION | RETAIL PRICE |
|---------|--|--------------|
| 83327 | 9660 STS / 9760 STS / 9860 STS / 9670 STS / 9770 STS / 9870 STS / S550 STS / S660 STS / S670 STS / S680 STS / S690 STS | \$ 525 kit |
| 83199 | 9560 STS / 9570 STS / 9650 STS / 9750 STS | \$ 525 kit |
| 82584 | 9450 / 9550 / 9560 / 9600 / 9610 / 9650 / 9660 | \$ 568 kit |
| 82583 | 9400 / 9410 / 9500 / 9510 | \$ 568 kit |

FOR GLEANER (Single Auger)

| PART NO | DESCRIPTION | RETAIL PRICE |
|---------|-------------|--------------|
| 82642 | All models | \$ 290 kit |

UNIVERSAL KIT (Single Auger) - 16" x 10'

| PART NO | DESCRIPTION | RETAIL PRICE |
|---------|----------------------------------|--------------|
| 82909 | Universal Grain Tank Auger Liner | \$ 290 kit |

REPLACEMENT PARTS

| PART NO | DESCRIPTION | RETAIL PRICE |
|---------|---|--------------|
| 22147 | 2" x 24" x 15° Bent Stainless Steel Strap | \$ 38 ea |
| 22439 | 2" x 24" x 40° Bent Stainless Steel Strap | \$ 38 ea |

FOR CASE IH (Covers Both Augers)

| PART NO | DESCRIPTION | RETAIL PRICE |
|---------|--|--------------|
| 83313 | 7230 / 7240 / 7250 / 8230 / 8240 / 8250 / 9230 / 9240 / 9250 | \$ 525 kit |
| 83383 | 5088 / 6088 / 7088 / 5130 / 6130 / 7130 / 7140 | \$ 525 kit |
| 83311 | 7010 / 8010 / 7120 / 8120 / 9120 | \$ 578 kit |
| 82582 | All 2300 & 2588 Series | \$ 520 kit |
| 82581 | All 2100 Series | \$ 520 kit |
| 82580 | All 1600 Series (Except 1620) | \$ 520 kit |
| 82579 | All 1400 Series | \$ 520 kit |

AUGER BED LINERS

FOR CASE IH

| PART NO | DESCRIPTION | RETAIL PRICE |
|---------|---|--------------|
| 84884 | 1440 / 1460 / 1470 / 1640 / 1644 / 1660 / 1666 / 2144 / 2166 / 2344 / 2366 - (4 Auger) | \$ 705 kit |
| 84885 | 1480 / 1680 / 1688 / 2188 / 2377 / 2388 / 2577 / 2588 / 5088 / 6088 / 7088 / 5130 / 6130 / 7130 - (5 Auger) | \$ 840 kit |
| 84886 | Case IH Single Auger Bed Liner Kit (fits all models listed above) | \$ 180 kit |

FOR JOHN DEERE

| PART NO | DESCRIPTION | RETAIL PRICE |
|---------|---|--------------|
| 84887 | 9670 STS / 9770 STS / 9860 STS / 9870 STS / 9880 STS / S650 / S660 / S670 / S680 / S690 / S760 / S770 / S780 / S790 - (4 Auger) | \$ 578 kit |
| 84888 | John Deere Single Auger Bed Liner Kit (fits all models listed above) | \$ 153 kit |
| 84889 | 9400 / 9410 / 9450 / 9500 / 9510 / 9550 / 9560 / 9600 / 9610 / 9650 / 9660 / 9780 / 9650 CTS / 9660 CTS / 9780 CTS - (4 Auger) | \$ 563 kit |

SAVE \$\$\$ ON AUGER TROUGH REPAIR

INCLUDES:

- 1/8" UHMW Liner
- Stainless Steel Fastening Strips
- Shims
- Pop Rivets

NEED AUGER FLIGHTING PROTECTION?

Auger Wearshoes:
pages 126-132



UNIVERSAL AUGER TUBE LINER

Universal Auger Tube Liners include UHMW liner, splice strip, test strip for measuring true diameter and self-tapping screws and pop rivets. To order, you will need to know the inside diameter and length of kit needed. Liner kits may be stacked to cover longer auger tubes. **Not compatible with folding tubes.**

As Featured by Larson Farms
[youtube.com/LarsonFarms](https://www.youtube.com/LarsonFarms)



Includes 1/8" UHMW Liner, Splice Strip, Self-Tapping Screws & Pop Rivets, Test Strip for Measuring True Diameter



COMPLETE KIT

| PART NO | DESCRIPTION | LENGTH | RETAIL PRICE |
|---------|-----------------------------------|----------|--------------|
| 83803 | 10" Diameter Universal Tube Liner | 8 ft kit | \$ 263 ea |
| 83804 | 12" Diameter Universal Tube Liner | 8 ft kit | \$ 290 ea |
| 83805 | 14" Diameter Universal Tube Liner | 8 ft kit | \$ 315 ea |
| 83806 | 10" Diameter Universal Tube Liner | 4 ft kit | \$ 168 ea |
| 83807 | 12" Diameter Universal Tube Liner | 4 ft kit | \$ 180 ea |
| 83808 | 14" Diameter Universal Tube Liner | 4 ft kit | \$ 195 ea |
| 83809 | 16" Diameter Universal Tube Liner | 4 ft kit | \$ 210 ea |
| 83810 | 18" Diameter Universal Tube Liner | 4 ft kit | \$ 226 ea |
| 83811 | 20" Diameter Universal Tube Liner | 4 ft kit | \$ 242 ea |
| 83812 | 22" Diameter Universal Tube Liner | 4 ft kit | \$ 253 ea |
| 83813 | 24" Diameter Universal Tube Liner | 4 ft kit | \$ 268 ea |

TANK FILL/BUBBLE UP TUBE LINERS - 1/8" THICK

PREVENTS CORROSION & WEAR

Tube liners extend the life of your auger tubes and provide a full poly surface when matched with auger wearshoes.

All Hardware is included.



Scan to watch our installation video.

| FOR CASE IH | | | RETAIL PRICE |
|-----------------|---|--|--------------|
| PART NO | DESCRIPTION | | |
| 83702 | for Case IH Tank Fill - 10.67" ID, 35" Length - 1660 /1666 /1688 /2144 /2166 /2188 /2344 /2366 /2377 /2388 /2577 /2588 | | \$ 126 ea |
| 83800 | for Case IH Tank Fill - 12.17" ID, 64.3" Length - 5088 /6088 /7088 /5130 /6130 /7130 /5140 /6140 /7140 | | \$ 153 ea |
| 83825 | for Case IH Tank Fill - 12.53" ID, 69" Length - 7010 /7120 /7140 /7230 /7240 /7250 /8010 /8120 /8230 /8240 /8250 /9120 /9230 /9240 | | \$ 126 ea |
| FOR NEW HOLLAND | | | RETAIL PRICE |
| PART NO | DESCRIPTION | | |
| 83658 | for New Holland Upper Tank Fill - 11.65" ID, 34" Length - CR920 /CR940 /CR960 /CR970 /CR9040 /CR9060 /CR9070 /CR9080 | | \$ 90 ea |
| 83667 | for New Holland Lower Tank Fill - 11.65" ID, 36.75" Length - CR920 /CR940 /CR960 /CR970 /CR9040 /CR9060 /CR9070 /CR9080 | | \$ 126 ea |
| FOR JOHN DEERE | | | RETAIL PRICE |
| PART NO | DESCRIPTION | | |
| 83666 | for John Deere Tank Fill - 11.66" ID, 44.81" Length - 9770 STS /9870 STS | | \$ 126 ea |
| 83669 | for John Deere Tank Fill - 11" ID, 45.2" Length - 9450 /9550 /9650 /9650 CTS /9560 /9660 /9660 CTS (Note: Will not fit 9560 STS, 9650 STS or 9660 STS.) | | \$ 126 ea |
| 83682 | for John Deere Tank Fill - 11.71" ID, 53" Length - S670 (High Capacity) /S680 /S690 /S770 (High Capacity) /S780 /S790 | | \$ 143 ea |
| 83801 | for John Deere Tank Fill - 11" ID, 45" Length - 9650 STS /9750 STS /9660 STS /9670 STS /9760 STS /9860 STS /S650 /S660 /S670 (Reg. Capacity) /S760 /S770 (Reg. Capacity) | | \$ 143 ea |
| 84075 | for John Deere Tank Fill Power Folding Auger - 11.71" ID, 53" Length - S660 /S670 /S760 /S770 /S680 /S685 /S690 /S780 /S785 /S790 | | \$ 143 ea |

FEEDERHOUSE SILENCER FOR CASE IH

REDUCE THE RATTLE AND CLATTER OF METAL ON METAL, GRAIN ON METAL & CHAIN ON METAL

Kits include: throat liner, drum guards, rails and top sprocket stripper plates.



Throat Lining - 1/4" Poly



THROAT LINING

Grain feeds into combine over the slick poly and helps prevent bunching in the throat. The poly does not corrode like metal and provides a smooth surface, even when placed over corroded metal. The echo from the metal on the bottom is absorbed by the poly lining, which is form-fitted to cover the existing metal.



Drum Guards

DRUM GUARDS

Soft plastic, rubber-like material is used to cover the metal drum where the chain hits. Saves the chain from excessive wear on the drum and decreases noise.



Rails - 1/4" Poly

RAILS

Cover existing metal rails with poly rails. This helps prevent clattering of metal on metal as the bars on the feederhouse chain hit the metal rails. Poly rails cushion the impact of metal for less wear on rails and bars.



Top Sprocket Stripper Plates

TOP SPROCKET STRIPPER PLATES

As the chain goes around the metal plate, it wears grooves into the metal and flattens the bottom of the chain. With poly plates, the chain glides across the poly and helps retain the shape of the chain. The chain will not clang against poly as it does the metal. Replace metal stripper plates with poly plates.

COMPLETE KITS

| PART NO | DESCRIPTION | FEEDER HOUSE DEPTH | RETAIL PRICE |
|---------|--|--------------------|--------------|
| 82071 | 3 Strand Kit - 2188 /2388 /2588 | 54" | \$ 810 kit |
| 82072 | 3 Strand Kit - 2188 /2388 /2588 | 60" | \$ 861 kit |
| 81750 | 1480 /1680 /1688 /2188 /2388 /2588 | 60" | \$ 765 kit |
| 82069 | 2144 /2166 /2344 /2366 | 60" | \$ 765 kit |
| 81751 | 1420 /1440 /1460 /1620 /1640 /1660 /2144 /2166 /2344 /2366 | 54" | \$ 709 kit |
| 81752 | 1480 /1680 /1688 /2188 /2388 /2588 | 54" | \$ 709 kit |
| 81753 | 1420 /1440 /1460 /1620 /1640 /1660 | 47" | \$ 709 kit |

PART NO: 1440 (Ser. # 10,001 & Up) 1460 (Ser. # 12,001 & Up)
 1480 (Ser. # 14,001 & Up) 1600 Series & Up

NOTE: Not compatible with field tracker.

INDIVIDUAL PARTS

Throat Liner - Not compatible with field tracker.

| PART NO | DESCRIPTION | SIZE | FEEDER HOUSE DEPTH | RETAIL PRICE |
|---------|--|-----------|--------------------|--------------|
| 40596 | 1480 /1680 /168 /2188 /2388 /2588 | - | 60" | \$ 555 ea |
| 41088 | 2144 /2166 /2344 /2366 | - | 60" | \$ 560 ea |
| 40597 | 1480 /1680 /1688 /2188 /2388 /2588 | - | 54" | \$ 510 ea |
| 40598 | 1420 /1440 /1460 /1620 /1640 /1660 /1666 /2144 /2166 /2344 /2366 | - | 54" | \$ 497 ea |
| 40599 | 1420 /1440 /1460 /1620 /1640 /1660 | - | 47" | \$ 497 ea |
| 40548 | 15' Throat Liner Sealant Tape Roll | 1/8" x 1" | - | \$ 29 ea |

Drum Guard

| PART NO | DESCRIPTION | SIZE | FEEDER HOUSE DEPTH | RETAIL PRICE |
|---------|--|----------|--------------------|--------------|
| 40005 | Rock (recessed) or Smooth Drum Guard | 3" x 31" | - | \$ 115 pr |
| 40918 | 3 Strand Drum Guard Assembly - 3 Piece Set | 3" x 31" | - | \$ 172 set |
| 41030 | 4" x 31" Drum Guard - Undrilled | 4" x 31" | - | \$ 122 pr |

FEEDERHOUSE SILENCER FOR CASE IH

INDIVIDUAL PARTS

Rail Guide

| PART NO | DESCRIPTION | SIZE | FEEDER HOUSE DEPTH | RETAIL PRICE |
|---------|---|------|--------------------|--------------|
| 40007 | Rail Guide - 1400 Series - 2588 Series (please specify) | 39" | 47" - 54" | \$ 96 pr |
| 40023 | Rail Guide - 1400 Series - 2588 Series (please specify) | 45" | 60" | \$ 96 pr |

Top Sprocket Stripper Plate

| PART NO | DESCRIPTION | SIZE | FEEDER HOUSE DEPTH | RETAIL PRICE |
|---------|---|------|--------------------|--------------|
| 40009 | <ul style="list-style-type: none"> 1440 (ser. # up to 10,000) 1460 (ser. # up to 12,000) 1480 (ser. # up to 14,000) | - | 4 1/2" x 8" | \$ 89 pr |
| 40010 | <ul style="list-style-type: none"> 1440 (ser. # 10,001 & up) 1460 (ser. # 12,001 & up) 1480 (ser. # 14,001 & up) 1640/1660/1680/2166/2188/2388/2588 | - | 7 1/4" x 6 1/2" | \$ 89 pr |
| 41503 | 3 Strand Top Sprocket Stripper Plate - 3 Piece Set | - | 7 1/4" x 6 1/2" | \$ 133 set |
| 40674 | Top Sprocket Stripper Plate (Middle) | - | 6 1/8" x 6 5/8" | \$ 48 ea |

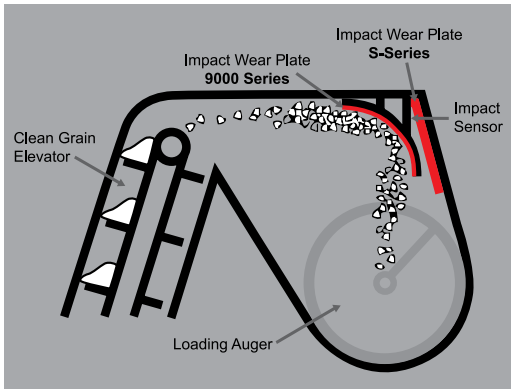
SEED FLOW SENSOR IMPACT WEAR PLATE FOR JOHN DEERE



ECONOMICAL REPLACEMENT COMPARED TO PURCHASING THE ENTIRE OEM ASSEMBLY

| PART NO | DESCRIPTION | RETAIL PRICE |
|---------|--|--------------|
| 42318 | 10 5/8" x 20 1/4" x 1/8" Thick Poly Plate Models Include: S-Series Before Serial #805000 | \$ 36 ea |
| 41946 | 8 1/4" x 12 1/2" x 1/8" Thick Poly Plate Models Include: 9450 / 9550 / 9550 SH / 9650 / 9650 CTS / 9650 STS / 9750 STS / 9560 / 9560 SH / 9560 STS / 9660 / 9660 CTS / 9660 STS / 9760 STS / 9860 STS / 9570 STS / 9670 STS / 9770 STS / 9870 STS | \$ 36 ea |
| 42198 | 5 1/4" x 12 7/8" x 1/8" Thick Poly Plate Models Include: 9400 / 9500 / 9410 / 9510 | \$ 36 ea |

Plates come predrilled and hardware is included.



POLY CHAIN GUIDES FOR JOHN DEERE



SAVES MONEY, LASTS LONGER.

Replace factory wood feederhouse throat chain guide with a May Wes Poly Chain Guide.

| PART NO | DESCRIPTION | SIZE | RETAIL PRICE |
|---------|--|---------|--------------|
| 82042 | 2-Hole - 9400 / 9410 / 9500 / 9510 / 9600 / 9610 | 36 7/8" | \$ 84 pr |
| 82043 | 3-Hole - 4400 / 4420 / 6600 / 6620 / 7700 / 7720 / 8800 / 8820 | 37 1/2" | \$ 84 pr |

CLEAN GRAIN ELEVATOR POLY PADDLES

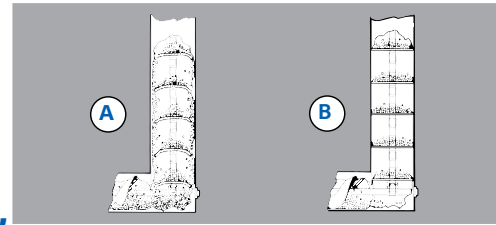
MAY WES POLY PADDLES OUTPERFORM FACTORY RUBBER & STEEL PADDLES

Rigid elevator poly paddles do not bend back,
which prevents grain from falling back down the elevator.
(See illustrations on right.)

Extend the life of your elevator tin.

As the Poly Paddles move through the elevator, they leave a protective coating, reducing friction and wear.

- For Clean Grain Elevators
- Replacement Parts; Paddles & Chains
- Complete Kits of Paddles with Chain
- 1/4" Thick (Unless Specified)



A. Grain flow with factory rubber paddles.
B. Grain flow with May Wes poly paddles installed.



FOR CASE IH

| DESCRIPTION | PADDLE WITH CHAIN | | NO OF PADDLES ON CHAIN | PADDLE ONLY FOR | | RETAIL PRICE |
|--|-------------------|--------------|------------------------|------------------|-------------------|--------------|
| | PART NO | RETAIL PRICE | | MW CHAIN PART NO | OEM CHAIN PART NO | |
| 7010 /8010 /7120 /8120 /9120 /7230 /8230 /9230 - 3/8" Thick | 83181 | \$ 1460 kit | 35 | 41745 | 41745 | \$ 14.50 ea |
| 1680 /1688 /2188 /2377 /2388 /2577 /2588 /5088 /6088 /7088 /5130 /6130 /7130 | 80994 | \$ 1125 kit | 38 | 40514 | 40513 | \$ 11.50 ea |
| *After 1980 Rice machine needs 42 paddles. | | | | | | |
| 1640 /1660 /1666 /2144 /2166 /2344 /2366 | 80995 | \$ 1104 kit | 38 | 40512 | 40512 | \$ 9.25 ea |
| 1420 /1620 | 80998 | \$ 1045 kit | 38 | 40511 | 40511 | \$ 9.25 ea |

FOR NEW HOLLAND

| DESCRIPTION | PADDLE WITH CHAIN | | NO OF PADDLES ON CHAIN | PADDLE ONLY FOR | | RETAIL PRICE |
|---|-------------------|--------------|------------------------|------------------|-------------------|--------------|
| | PART NO | RETAIL PRICE | | MW CHAIN PART NO | OEM CHAIN PART NO | |
| CR920 /CR940 /CR960 /CR970 /CR980 /CR9040 /CR9060 /CR9065 /CR9070 /CR9080 /R6090 /CR7090 /CR8080 /CR8090 /CR9090 - 3/8" Thick | - | - | 37 | - | 41501 | \$ 14.50 ea |
| TR89 /TR95 /TR96 /TR97 /TR98 | 81011 | \$ 950 kit | 20 | 40533 | 40533 | \$ 9.25 ea |
| TR75 /TR85 /TR86 /TR87 /TR88 | 81010 | \$ 887 kit | 19 | 40533 | 40533 | \$ 9.25 ea |
| TR70 (Ser. # 215983 and up) | 81010 | \$ 887 kit | 19 | 40533 | 40533 | \$ 9.25 ea |

FOR JOHN DEERE

| DESCRIPTION | PADDLE WITH CHAIN | | NO OF PADDLES ON CHAIN | PADDLE ONLY FOR | | RETAIL PRICE |
|---|-------------------|--------------|------------------------|------------------|-------------------|--------------|
| | PART NO | RETAIL PRICE | | MW CHAIN PART NO | OEM CHAIN PART NO | |
| S690 STS /S790 STS - 3/8" Thick | - | - | 36 | 41991 | 41991 | \$ 14.50 ea |
| 9770 STS /9870 STS /S670 STS (High Capacity) /S670 Hillmaster /S680 STS /S680 Hillmaster /S690 Hillmaster - 3/8" Thick | - | - | 34 | 41846 | 41846 | \$ 14.50 ea |
| 9650 STS /9750 STS /9560 STS /9660 STS /9760 STS /9860 STS /9570 STS /9670 STS /S550 STS /S660 STS /S670 STS (Reg. Capacity) - 3/8" Thick | - | - | 34 | 41262 | 41262 | \$ 14.50 ea |
| 9450 /9550 /9550 SH /9650 /9650 CTS /9560 /9560 SH /9660 /9660 CTS - 3/8" Thick | - | - | 33 | 41262 | 41262 | \$ 14.50 ea |
| 9600 (Ser. # 670301 & up) | - | - | 36 | 40505 | 40505 | \$ 11.50 ea |
| 9600 /9610 | 81016 | \$ 1104 kit | 35 | 40505 | 40505 | \$ 11.50 ea |
| 9400 /9500 /9510 /CTS2 | 81015 | \$ 1083 kit | 35 | 40504 | 40504 | \$ 11.50 ea |
| 8820 - Sweco | 81014 | \$ 1157 kit | 42 | 40503 | 40503 | \$ 9.25 ea |
| 8820 (Ser. # 464351 & up) | 81013 | \$ 945 kit | 28 | 40503 | 40503 | \$ 9.25 ea |
| 8820 (Ser. # up to 464350) | 81019 | \$ 934 kit | 28 | 40502 | 40502 | \$ 8.25 ea |
| 6600 /6601 /6620 /7700 /7701 /7720 | 81018 | \$ 870 kit | 27 | 40502 | 40502 | \$ 8.25 ea |
| 3300 /4400 /4420 | 81017 | \$ 849 kit | 25 | 40501 | 40501 | \$ 9.25 ea |

FOR GLEANER

| DESCRIPTION | PADDLE WITH CHAIN | | NO OF PADDLES ON CHAIN | PADDLE ONLY FOR | | RETAIL PRICE |
|--|-------------------|--------------|------------------------|------------------|-------------------|--------------|
| | PART NO | RETAIL PRICE | | MW CHAIN PART NO | OEM CHAIN PART NO | |
| S67 /S68 /S77 /S78 /S88 | - | - | 37 | - | 42106 | \$ 10.25 ea |
| R55 /R65 /R66 /R75 /R76 | 83349 | \$ 1242 kit | 37 | 41267 | 41266 | \$ 10.25 ea |
| R62 /R72 /R42 (Ser. #43001-48001) /R52 (Ser. #53001-98001) | 82074 | \$ 1606 kit | 36 | 41267 | 41266 | \$ 10.25 ea |
| N5 /N6 /N7 /R5 /R6 /R7 /R60 /R70 | 80989 | \$ 1231 kit | 34 | 40524 | 40523 | \$ 9.25 ea |
| L2 /L3 /M2 /M3 /R40 /R50 /R42 (Before Ser. #43001) /R52 (Before Ser. #53001) | 80990 | \$ 1242 kit | 37 | 40522 | 40521 | \$ 9.25 ea |
| L/M | 80988 | \$ 1136 kit | 32 | 40520 | 40519 | \$ 9.25 ea |

All parts are 1/4" thick unless specified.

CLEAN GRAIN ELEVATOR POLY PADDLES

FOR MASSEY FERGUSON

| DESCRIPTION | PADDLE WITH CHAIN | | NO OF PADDLES ON CHAIN | PADDLE ONLY FOR | | RETAIL PRICE |
|---|-------------------|--------------|------------------------|------------------|-------------------|--------------|
| | PART NO | RETAIL PRICE | | MW CHAIN PART NO | OEM CHAIN PART NO | |
| 9790 | 82262 | \$ 1263 kit | 37 | 41267 | 41266 | \$ 10.25 ea |
| 9520 / 9540 / 9560 | - | - | 37 | - | 42106 | \$ 10.25 ea |
| 8570 / 8780 | 83661 | \$ 1189 kit | 37 | 40530 | 40530 | \$ 9.25 ea |
| 8560 | 83660 | \$ 1205 kit | 38 | 40530 | 40530 | \$ 9.25 ea |
| 860 (Ser. # 19544 & up) | - | - | 38 | 40527 | 40527 | \$ 9.25 ea |
| 760 | - | - | 41 | 40527 | 40527 | \$ 9.25 ea |
| 850 (Ser. # 1696027544 & up) | - | - | 41 | 40527 | 40527 | \$ 9.25 ea |
| 850 (Ser. # up to 1696027543) | 81001 | \$ 1221 kit | 37 | 40527 | 40527 | \$ 9.25 ea |
| 750 | 81001 | \$ 1221 kit | 37 | 40527 | 40527 | \$ 9.25 ea |
| 550 (Ser. # 236302121 & up) | - | - | 33 | 40526 | 40526 | \$ 9.25 ea |
| 550 (Ser. # up to 236302121) (also 248674M91) | - | - | 28 | 40526 | 40526 | \$ 9.25 ea |
| 540 | - | - | - | 40526 | 40526 | \$ 9.25 ea |
| 510 (Ser. # 1201009015 & up) | - | - | 28 | 40526 | 40526 | \$ 9.25 ea |
| 410 (Ser. # 1200011754 & up) | - | - | 28 | 40526 | 40526 | \$ 9.25 ea |

FOR WHITE

| DESCRIPTION | PADDLE WITH CHAIN | | NO OF PADDLES ON CHAIN | PADDLE ONLY FOR | | RETAIL PRICE |
|-------------|-------------------|--------------|------------------------|------------------|-------------------|--------------|
| | PART NO | RETAIL PRICE | | MW CHAIN PART NO | OEM CHAIN PART NO | |
| 9700 / 9720 | 81009 | \$ 1157 kit | 36 | 40530 | 40530 | \$ 9.25 ea |

All parts are 1/4" thick unless specified.

CHAIN REPLACEMENT PARTS

| PART NO | DESCRIPTION | RETAIL PRICE | PART NO | DESCRIPTION | RETAIL PRICE |
|---------|-------------------------|--------------|---------|---------------------------|--------------|
| 81297 | Connecting Link (CA550) | \$ 8.25 ea | 23214 | Connecting Link (CA550HD) | \$ 15.50 ea |
| 81298 | 1/2 Link (CA550) | \$ 8.25 ea | 23215 | Offset Link (CA550HD) | \$ 9.25 ea |
| 80986 | Paddle Extension | \$ 21 ea | | | |

- Please include serial number when ordering to help establish paddle size.
- Sprockets need to be changed to avoid premature chain wear.
- Re-tighten bolts after one day of use.
- Replace all rubber paddles with poly paddles to make your elevator fully efficient.

DON'T SEE YOUR MODEL LISTED?

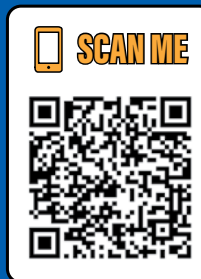
Call 1-800-788-6483 for custom poly paddles. Chain not included.

MINI COMBINE™

QUICK & ACCURATE CROP SAMPLING

Save the Time and Expense of Getting Your Combine Out

- Self-contained unit comprised of a picker/threshing drum and an aerator/blower
- Comes with **4 interchangeable concaves** for various crops
- Lightweight, making sample collection easy
- **Accurate samples in minutes**, without the time and expense of running your combine
- **Achieve higher yields** while lowering your equipment and drying costs



Scan the code to see it in action!



MINI COMBINE™

| PART NO | DESCRIPTION | RETAIL PRICE |
|---------|--|--------------|
| 83882 | Mini Combine Harvester Kit Includes 4 concaves for various crops, lithium-ion battery, variable-speed brushless motor, 2 clear plastic collection jars, & carrying case | \$ 1749 ea |

POLY CORN SNOOTS

PROVEN TO OUTPERFORM AND OUTLAST

Replace your existing metal or worn out poly corn gatherers with **GVL Poly Corn Snouts** and reap the benefits!



DESIGN INNOVATIONS:

- **Pivot Points**
 - Folds Up, In & Down
- **Easy Access for Cleaning & Maintenance**
- **Deeper Shoulders for Better Crop Retention**
- **Complete Poly Construction**
 - Inner & Outer Walls
- **Replace One Snout or Outfit the Whole Head**
- **Interchangeable**
- **Complete with Hardware for Easy Installation**

ADVANTAGES OF POLY MATERIAL COMPARED TO METAL:

- **More Economical & Weighs Less**
- **Absorbs Impact**
 - Less Bounce & Denting
- **Slick Surface Sheds Debris**
- **Less Ear Bounce & Butt Shelling**
- **Works Well in Down-Corn Situations**

ADDED FEATURES OF THE JACK-KNIFE DESIGN:

- **Folding Design Allows Snouts to be Popped Up & Latched in Seconds**
- **Easier Transport & Storage Positions**
- **Advanced Prop Rod System with Safety Lock Pin**

SERIES 1 - RIGID DESIGN

FOLDS UP FOR EASY ACCESS

Complete OEM Replacement with Rigid Design

Single pivot point allows snout to lift for easy access for maintenance.



Series I Back Poly has holes in the rear for the rear hold-down pin to go through.

SERIES 2 - JACK-KNIFE DESIGN

FOLDS UP, IN & DOWN

Complete OEM Replacement with Jack-Knife Design



Double pivot points allow the points to fold up, in and down for easy access for maintenance and uses less storage space.



Series II Back Poly is slanted, without holes in the rear.

POLY CORN SNOOTS

QUESTIONS?
Watch our FAQ video.



Scan the QR code with your smartphone to watch on YouTube.



Now you can order your snouts with all the parts included and pre-assembled!

Complete assembly includes:

Brackets, Front Poly, Wear Points and Hardware.
Wear Strips are included on 30" snouts and larger.

| FRONT POLY KITS FOR CASE IH 800 / 900 / 1000 SERIES | | | | |
|---|-------------------------|--------|---------|--------------|
| PART NO | DESCRIPTION | LENGTH | SIZE | RETAIL PRICE |
| 42652 | Center Short - Front | 47" | 20" | \$ 310 ea |
| 42648 | Center Long - Front | 59" | 20" | \$ 310 ea |
| 42666 | Left End Short - Front | 47" | 20" | \$ 310 ea |
| 42662 | Left End Long - Front | 59" | 20" | \$ 305 ea |
| 42674 | Right End Short - Front | 47" | 20" | \$ 310 ea |
| 42670 | Right End Long - Front | 59" | 20" | \$ 310 ea |
| 42660 | Center Short- Front | 47" | 22" | \$ 305 ea |
| 42656 | Center Long - Front | 59" | 22" | \$ 305 ea |
| 42678 | Center - Front | - | 30" | \$ 380 ea |
| 42685 | Right End - Front | - | 30" | \$ 380 ea |
| 42682 | Left End - Front | - | 30" | \$ 380 ea |
| 42689 | Center - Front | - | 36"/38" | \$ 380 ea |

| FRONT POLY KITS FOR NEW HOLLAND 974 SERIES ONLY | | | | |
|---|-------------------------|--------|---------|--------------|
| PART NO | DESCRIPTION | LENGTH | SIZE | RETAIL PRICE |
| 42653 | Center Short - Front | 47" | 20" | \$ 305 ea |
| 42649 | Center Long - Front | 59" | 20" | \$ 310 ea |
| 42667 | Left End Short - Front | 47" | 20" | \$ 310 ea |
| 42663 | Left End Long - Front | 59" | 20" | \$ 310 ea |
| 42675 | Right End Short - Front | 47" | 20" | \$ 310 ea |
| 42671 | Right End Long - Front | 59" | 20" | \$ 310 ea |
| 42657 | Center Long - Front | 59" | 22" | \$ 305 ea |
| 42679 | Center - Front | - | 30" | \$ 380 ea |
| 42722 | Left End - Front | - | 30" | \$ 390 ea |
| 42686 | Right End - Front | - | 30" | \$ 380 ea |
| 42690 | Center - Front | - | 36"/38" | \$ 380 ea |

| FRONT POLY KITS FOR JOHN DEERE 90 / 40 SERIES ONLY | | | | |
|--|-------------------------|--------|-------------|--------------|
| PART NO | DESCRIPTION | LENGTH | SIZE | RETAIL PRICE |
| 42651 | Center Short - Front | 47" | 20" | \$ 305 ea |
| 42647 | Center Long - Front | 59" | 20" | \$ 310 ea |
| 42665 | Left End Short - Front | 47" | 20" | \$ 310 ea |
| 42661 | Left End Long - Front | 59" | 20" | \$ 305 ea |
| 42673 | Right End Short - Front | 47" | 20" | \$ 310 ea |
| 42669 | Right End Long - Front | 59" | 20" | \$ 310 ea |
| 42659 | Center Short - Front | 47" | 22" | \$ 305 ea |
| 42655 | Center Long - Front | 59" | 22" | \$ 305 ea |
| 42681 | Left End - Front | - | 30"/36"/38" | \$ 380 ea |
| 42684 | Right End - Front | - | 30"/36"/38" | \$ 380 ea |
| 42677 | Center - Front | - | 30" | \$ 380 ea |

ATTENTION

GVL WILL ONLY INTERFACE WITH THE FOLLOWING OEM

Case IH 3400 / 3200 / 2400 / 2200 • FRONT LEFT POLY
• FRONT RIGHT POLY

New Holland 98D / 98C / 96C / 996 • FRONT LEFT POLY
• FRONT RIGHT POLY

John Deere 600 / 700 / C-SERIES • CENTER FRONT POLY
• CENTER BACK POLY



**HIGHLIGHTED SNOOTS
ARE IN STOCK AND
READY TO SHIP**

**LEARN HOW TO ORDER
GVL Poly Corn Snouts**

Questions about GVL Poly Corn Snouts or what you need for your head?

Scan the QR code to learn more.



POLY CORN SNOOTS

INDIVIDUAL SNOOTS & KITS FOR CASE IH 3400 / 3200 / 2600 / 2400 / 2200 SERIES

| SERIES II - JACK KNIFE DESIGN | | | |
|-------------------------------|---|----------|--------------|
| PART NO | DESCRIPTION | ROW SIZE | RETAIL PRICE |
| 43041 | Center Row Complete Kit | 30" | \$ 995 ea |
| 43042 | Center Row Front Poly Only Kit Front Poly, Wear Point, Wear Strips, Hardware | 30" | \$ 535 ea |

FRONT POLY - LEFT OR RIGHT END ONLY FOR CASE IH 3400 / 3200 / 2600 / 2400 / 2200 SERIES:

| INTERFACES WITH OEM | | | |
|---------------------|---|----------|--------------|
| PART NO | DESCRIPTION | ROW SIZE | RETAIL PRICE |
| 43060 | Front Poly, Wear Point, Wear Strips, Hardware | 30" | \$ 440 ea |

KITS FOR CASE IH 900 / 1000 SERIES

| SERIES II - JACK KNIFE DESIGN | | | |
|-------------------------------|-------------|----------|--------------|
| PART NO | DESCRIPTION | ROW SIZE | RETAIL PRICE |
| 84578 | 8 Row | 22" | \$ 6499 ea |
| 84579 | 12 Row | 22" | \$ 9310 ea |
| 84580 | 4 Row | 30" | \$ 4181 ea |
| 84581 | 6 Row | 30" | \$ 5856 ea |
| 84582 | 8 Row | 30" | \$ 7482 ea |
| 84583 | 12 Row | 30" | \$ 10813 ea |

INDIVIDUAL SNOOTS FOR CASE IH 900 / 1000 SERIES

| SERIES II - JACK KNIFE DESIGN | | | |
|-------------------------------|------------------------|-------------|--------------|
| PART NO | DESCRIPTION | ROW SIZE | RETAIL PRICE |
| 42854 | Left End High - Short | 20"/22" | \$ 900 ea |
| 42850 | Center - Short | 22" | \$ 760 ea |
| 42855 | Right End High - Short | 20"/22" | \$ 900 ea |
| 42856 | Left End | 30"/36"/38" | \$ 890 ea |
| 42851 | Center | 30" | \$ 900 ea |
| 42857 | Right End | 30"/36"/38" | \$ 890 ea |

KITS FOR CASE IH 800 SERIES

| SERIES II - JACK KNIFE DESIGN | | | |
|-------------------------------|-------------|----------|--------------|
| PART NO | DESCRIPTION | ROW SIZE | RETAIL PRICE |
| 84558 | 8 Row | 22" | \$ 6986 ea |
| 84559 | 12 Row | 22" | \$ 10021 ea |
| 84560 | 4 Row | 30" | \$ 4299 ea |
| 84561 | 6 Row | 30" | \$ 6003 ea |
| 84562 | 8 Row | 30" | \$ 7710 ea |
| 84563 | 12 Row | 30" | \$ 11124 ea |



INDIVIDUAL SNOOTS FOR CASE IH 800 SERIES

| SERIES II - JACK KNIFE DESIGN | | | |
|-------------------------------|------------------------|-------------|--------------|
| PART NO | DESCRIPTION | ROW SIZE | RETAIL PRICE |
| 42838 | Left End High - Short | 20"/22" | \$ 822 ea |
| 42835 | Center - Short | 22" | \$ 730 ea |
| 42840 | Right End High - Short | 20"/22" | \$ 822 ea |
| 42842 | Left End High | 30"/36"/38" | \$ 910 ea |
| 42836 | Center | 30" | \$ 900 ea |
| 42844 | Right End High | 30"/36"/38" | \$ 905 ea |

| SERIES I - RIGID DESIGN | | | |
|-------------------------|-------------|----------|--------------|
| PART NO | DESCRIPTION | ROW SIZE | RETAIL PRICE |
| 42830 | Center | 36" | \$ 760 ea |
| 42831 | Center | 38" | \$ 760 ea |

FRONT POLY ONLY FOR CASE IH 800 / 900 / 1000 SERIES

| PART NO | DESCRIPTION | ROW SIZE | RETAIL PRICE |
|---------|-------------------|---------------|--------------|
| 42904 | Center - Long | 59" 20" | \$ 215 ea |
| 42907 | Center - Short | 47" 20" | \$ 215 ea |
| 42912 | Center - Long | 59" 22" | \$ 215 ea |
| 42916 | Center - Short | 47" 22" | \$ 215 ea |
| 42921 | Left End - Long | 59" 20"/22" | \$ 215 ea |
| 42924 | Left End - Short | 47" 20"/22" | \$ 215 ea |
| 42931 | Right End - Short | 47" 20"/22" | \$ 215 ea |
| 42928 | Right End - Long | 59" 20"/22" | \$ 215 ea |
| 42936 | Center | - 30" | \$ 218 ea |
| 42941 | Center | - 36"/38" | \$ 275 ea |
| 42945 | Left End | - 30"/36"/38" | \$ 225 ea |
| 42950 | Right End | - 30"/36"/38" | \$ 225 ea |

BACK POLY ONLY FOR CASE IH 800 / 900 / 1000 SERIES

| PART NO | DESCRIPTION | ROW SIZE | RETAIL PRICE |
|---------|-------------------------------|-------------|--------------|
| 42957 | Center - Series I | 20" | \$ 155 ea |
| 42964 | Center - Series I | 22" | \$ 155 ea |
| 42969 | Center - Series II | 22" | \$ 155 ea |
| 42970 | Left End - Short | 20"/22" | \$ 260 ea |
| 42971 | Right End - Short | 20"/22" | \$ 260 ea |
| 42978 | Center - Series I | 30" | \$ 205 ea |
| 42983 | Center - Series II | 30" | \$ 180 ea |
| 42985 | Center | 36"/38" | \$ 205 ea |
| 42988 | Left End Short | 30"/36"/38" | \$ 255 ea |
| 42989 | Right End Short | 30"/36"/38" | \$ 260 ea |
| 42581 | End High Extension w/hardware | 20"/22" | \$ 235 ea |
| 42583 | End Low Extension w/hardware | 20"/22" | \$ 215 ea |
| 42585 | End High Extension w/hardware | 30"/36"/38" | \$ 200 ea |

IN STOCK **HIGHLIGHTED SNOOTS ARE IN STOCK AND READY TO SHIP**

ATTENTION

GVL WILL ONLY INTERFACE WITH THE FOLLOWING OEM

| | |
|-----------------------------------|---|
| Case IH 3400 / 3200 / 2400 / 2200 | • FRONT LEFT POLY • FRONT RIGHT POLY |
| New Holland 98D / 98C / 96C / 996 | • FRONT LEFT POLY • FRONT RIGHT POLY |
| John Deere 600 / 700 / C-SERIES | • CENTER FRONT POLY • CENTER BACK POLY |

QUESTIONS?
Watch our GVL Poly FAQ video.

POLY CORN SNOOTS

INDIVIDUAL SNOOTS & KITS FOR NEW HOLLAND 98D / 98C / 99C / 96C / 996 SERIES

SERIES II - JACK KNIFE DESIGN

| PART NO | DESCRIPTION | ROW SIZE | RETAIL PRICE |
|---------|---|----------|--------------|
| 43044 | Center Row Complete Kit | 30" | \$ 995 ea |
| 43045 | Center Row Front Poly Only Kit Front Poly, Wear Point, Wear Strips, Hardware | 30" | \$ 535 ea |

FRONT POLY - LEFT OR RIGHT END ONLY FOR NEW HOLLAND 98D / 98C / 99C / 96C / 996 SERIES:

INTERFACES WITH OEM

| PART NO | DESCRIPTION | ROW SIZE | RETAIL PRICE |
|---------|---|----------|--------------|
| 43062 | Front Poly, Wear Point, Wear Strips, Hardware | 30" | \$ 440 ea |

INDIVIDUAL CENTER SNOOTS AND POLY FOR JOHN DEERE 600 / 700 / C-SERIES

INTERFACES WITH OEM - REUSE OEM BRACKETS & HARDWARE

| PART NO | DESCRIPTION | ROW SIZE | RETAIL PRICE |
|---------|---------------------|----------|--------------|
| 42800 | Center Row Assembly | 30" | \$ 650 ea |
| 42897 | Front Poly Assembly | 30" | \$ 350 ea |
| 42898 | Back Poly Assembly | 30" | \$ 290 ea |

KITS FOR JOHN DEERE 40 SERIES

SERIES II - JACK KNIFE DESIGN

| PART NO | DESCRIPTION | ROW SIZE | RETAIL PRICE |
|---------|-------------|----------|--------------|
| 84610 | 8 Row | 20" | \$ 6457 ea |
| 84611 | 12 Row | 20" | \$ 9177 ea |
| 84514 | 8 Row | 22" | \$ 6183 ea |
| 84515 | 12 Row | 22" | \$ 9209 ea |
| 84516 | 4 Row | 30" | \$ 4037 ea |
| 84517 | 6 Row | 30" | \$ 5627 ea |
| 84518 | 8 Row | 30" | \$ 7208 ea |
| 84519 | 12 Row | 30" | \$ 10449 ea |

INDIVIDUAL SNOOTS FOR JOHN DEERE 40 SERIES

SERIES II - JACK KNIFE DESIGN

| PART NO | DESCRIPTION | ROW SIZE | RETAIL PRICE |
|---------|-------------------|-------------|--------------|
| 42810 | Left End - Short | 20"/22" | \$ 800 ea |
| 42798 | Center - Short | 20" | \$ 750 ea |
| 42809 | Center - Short | 22" | \$ 800 ea |
| 42811 | Right End - Short | 20"/22" | \$ 800 ea |
| 42813 | Left End | 30"/36"/38" | \$ 810 ea |
| 42812 | Center | 30" | \$ 800 ea |
| 42814 | Right End | 30"/36"/38" | \$ 810 ea |



HIGHLIGHTED SNOOTS ARE IN STOCK AND READY TO SHIP

ATTENTION

GVL WILL ONLY INTERFACE WITH THE FOLLOWING OEM

- Case IH 3400 / 3200 / 2400 / 2200 • FRONT LEFT POLY • FRONT RIGHT POLY
- New Holland 98D / 98C / 96C / 996 • FRONT LEFT POLY • FRONT RIGHT POLY
- John Deere 600 / 700 / C-SERIES • CENTER FRONT POLY • CENTER BACK POLY

KITS FOR JOHN DEERE 90 SERIES

SERIES II - JACK KNIFE DESIGN

| PART NO | DESCRIPTION | ROW SIZE | RETAIL PRICE |
|---------|-------------|----------|--------------|
| 84606 | 8 Row | 20" | \$ 6404 ea |
| 84607 | 12 Row | 20" | \$ 9257 ea |
| 84534 | 8 Row | 22" | \$ 6557 ea |
| 84535 | 12 Row | 22" | \$ 9262 ea |
| 84536 | 4 Row | 30" | \$ 4166 ea |
| 84537 | 6 Row | 30" | \$ 5898 ea |
| 84538 | 8 Row | 30" | \$ 7551 ea |
| 84539 | 12 Row | 30" | \$ 10897 ea |

INDIVIDUAL SNOOTS FOR JOHN DEERE 90 SERIES

SERIES II - JACK KNIFE DESIGN

| PART NO | DESCRIPTION | ROW SIZE | RETAIL PRICE |
|---------|-------------------|-------------|--------------|
| 42810 | Left End - Short | 20"/22" | \$ 800 ea |
| 42887 | Center - Short | 20" | \$ 730 ea |
| 42823 | Center - Short | 22" | \$ 800 ea |
| 42811 | Right End - Short | 20"/22" | \$ 800 ea |
| 42813 | Left End | 30"/36"/38" | \$ 810 ea |
| 42824 | Center | 30" | \$ 860 ea |
| 42814 | Right End | 30"/36"/38" | \$ 810 ea |

FRONT POLY ONLY FOR JOHN DEERE 40 & 90 SERIES

| PART NO | DESCRIPTION | ROW SIZE | RETAIL PRICE |
|---------|-------------------------|---------------|--------------|
| 42901 | End | - 15" | \$ 215 ea |
| 42900 | Center | - 15" | \$ 125 ea |
| 42903 | Center - Long | 59" 20" | \$ 215 ea |
| 42881 | Center - Short | 47" 20" | \$ 190 ea |
| 42911 | Center - Long | 59" 22" | \$ 215 ea |
| 42915 | Center - Short | 47" 22" | \$ 215 ea |
| 42920 | Left End - Long | 59" 20"/22" | \$ 215 ea |
| 42882 | Left End - Short | 47" 20"/22" | \$ 190 ea |
| 42927 | Right End - Long | 59" 20"/22" | \$ 215 ea |
| 42899 | Right End - Short | 47" 20"/22" | \$ 175 ea |
| 42935 | Center | - 30" | \$ 220 ea |
| 42940 | Center - 40 Series Only | - 36"/38" | \$ 270 ea |
| 42944 | Left End | - 30"/36"/38" | \$ 225 ea |
| 42949 | Right End | - 30"/36"/38" | \$ 225 ea |

BACK POLY ONLY FOR JOHN DEERE 40 & 90 SERIES

| PART NO | DESCRIPTION | ROW SIZE | RETAIL PRICE |
|---------|-------------------------|-------------|--------------|
| 42955 | End | 15" | \$ 170 ea |
| 42954 | Center | 15" | \$ 155 ea |
| 42956 | Center - Series I | 20" | \$ 155 ea |
| 42961 | Center - Series II | 20" | \$ 155 ea |
| 42963 | Center - Series I | 22" | \$ 155 ea |
| 42968 | Center - Series II | 22" | \$ 155 ea |
| 42973 | Left End - Long | 20"/22" | \$ 270 ea |
| 42975 | Right End - Long | 20"/22" | \$ 270 ea |
| 42977 | Center - Series I | 30" | \$ 265 ea |
| 42982 | Center - Series II | 30" | \$ 180 ea |
| 42984 | Center - 40 Series Only | 36"/38" | \$ 205 ea |
| 42990 | Left End Long | 30"/36"/38" | \$ 315 ea |
| 42991 | Right End Long | 30"/36"/38" | \$ 315 ea |

CORN HEAD PARTS

POLY CORN SNOOTS

INDIVIDUAL SNOOTS FOR AGCO SNOOTS - FRONT POLY ONLY

| PART NO | DESCRIPTION | LENGTH | ROW SIZE | RETAIL PRICE |
|---------|-------------------|--------|-------------|--------------|
| 42906 | Center - Long | 59" | 20" | \$ 215 ea |
| 42909 | Center - Short | 47" | 20" | \$ 215 ea |
| 42914 | Center - Long | 59" | 22" | \$ 215 ea |
| 42918 | Center - Short | 47" | 22" | \$ 215 ea |
| 42923 | Left End - Long | 59" | 20"/22" | \$ 215 ea |
| 42926 | Left End - Short | 47" | 20"/22" | \$ 215 ea |
| 42930 | Right End - Long | 59" | 20"/22" | \$ 215 ea |
| 42933 | Right End - Short | 47" | 20"/22" | \$ 215 ea |
| 42938 | Center | - | 30" | \$ 220 ea |
| 42947 | Left End | - | 30"/36"/38" | \$ 225 ea |
| 42952 | Right End | - | 30"/36"/38" | \$ 225 ea |

INDIVIDUAL SNOOTS FOR AGCO SNOOTS - BACK POLY ONLY

| PART NO | DESCRIPTION | ROW SIZE | RETAIL PRICE |
|---------|----------------------|-------------|--------------|
| 42959 | Center - Series I | 20" | \$ 155 ea |
| 42966 | Center - Series I | 22" | \$ 155 ea |
| 42588 | Left End - Series I | 20"/22" | \$ 250 ea |
| 42589 | Right End - Series I | 20"/22" | \$ 250 ea |
| 42980 | Center - Series I | 30" | \$ 200 ea |
| 42987 | Center - Series I | 36"/38" | \$ 200 ea |
| 42586 | Left End - Series I | 30"/36"/38" | \$ 270 ea |
| 42587 | Right End - Series I | 30"/36"/38" | \$ 270 ea |

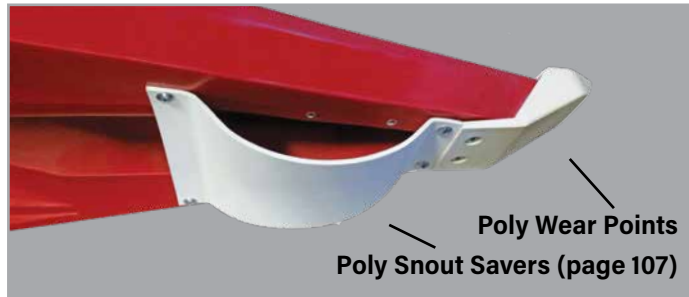
ATTENTION

GVL WILL ONLY INTERFACE WITH THE FOLLOWING OEM

Case IH 3400 / 3200 / 2400 / 2200 • FRONT LEFT POLY
• FRONT RIGHT POLY

New Holland 98D / 98C / 96C / 996 • FRONT LEFT POLY
• FRONT RIGHT POLY

John Deere 600 / 700 / C-SERIES • CENTER FRONT POLY
• CENTER BACK POLY



POLY CORN SNOOT REPLACEMENT PARTS FOR GVL

EAR SAVERS FOR GVL SNOOTS

| PART NO | DESCRIPTION | RETAIL PRICE |
|---------|-------------------------------|--------------|
| 42880 | Ear Saver for GVL Poly Snouts | \$ 18 ea |

STAINLESS STEEL WEAR STRIPS

| PART NO | DESCRIPTION | RETAIL PRICE |
|---------|--|--------------|
| 42868 | Left Edge for Center Snouts (All Sizes) | \$ 65 ea |
| 42869 | Right Edge for Center Snouts (All Sizes) | \$ 65 ea |
| 42869 | Left Hand End Snout (20" Only) | \$ 65 ea |
| 42868 | Right Hand End Snout (20" Only) | \$ 65 ea |
| 42871 | Left Hand End Snout (30" Only) | \$ 60 ea |
| 42870 | Right Hand End Snout (30" Only) | \$ 60 ea |

FOR Case IH 3400/3200/2600/2400/2200
& New Holland 99C/98C/98D/96C/996

| | | |
|-------|--|-----------|
| 43052 | Left Edge for Center Snouts (30" Only) | \$ 55 ea |
| 43053 | Right Edge for Center Snouts (30" Only) | \$ 55 ea |
| 43064 | FOR Case IH 2200 - End Front Wear Strip Kit Includes Left Edge, Right Edge & Hardware | \$ 165 ea |

STAINLESS STEEL WEAR STRIPS (CONTINUED)

| PART NO | DESCRIPTION | RETAIL PRICE |
|---------------------------------|---|--------------|
| FOR John Deere 600/700/C-Series | | |
| 42717 | Left Edge for Center Snouts (30" Only) | \$ 85 ea |
| 42718 | Right Edge for Center Snouts (30" Only) | \$ 85 ea |

INDIVIDUAL POLY WEAR POINTS

| PART NO | DESCRIPTION | RETAIL PRICE |
|---------|---------------------|--------------|
| 42867 | Wear Point - White | \$ 33 ea |
| 42716 | Wear Point - Yellow | \$ 38 ea |

SNOUT SAVERS

| PART NO | DESCRIPTION | RETAIL PRICE |
|---------|---|--------------|
| 82607 | Narrow Snout Saver - 20"/22" Centers, 20"/30" Ends | \$ 28 ea |
| 82606 | Wide Snout Saver - 30"/36"/38" Centers | \$ 28 ea |

MISCELLANEOUS PARTS

| PART NO | DESCRIPTION | RETAIL PRICE |
|---------|--------------------------------------|--------------|
| 42699 | 30" Center Gas Strut Kit (Series II) | \$ 165 ea |



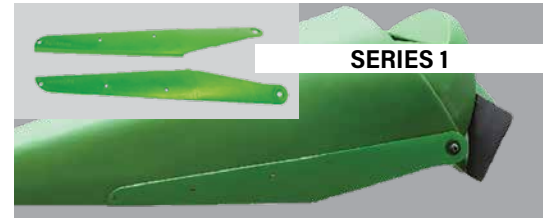
CORN HEAD AUGER TROUGH LINERS

Protect the high-wear areas
in your auger trough. **Pages 108-109.**

CROP DIVIDER FRONT WEAR KITS FOR OEM POLY

THE SLEEK AND HIGHLY DURABLE PLASTIC REPLACEMENT WEAR STRIP EXTENDS THE LIFE OF POLY CORN HEADS

PREVENT PREMATURE WEAR OR REPAIR DAMAGED SNOOTS

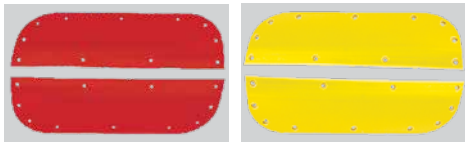
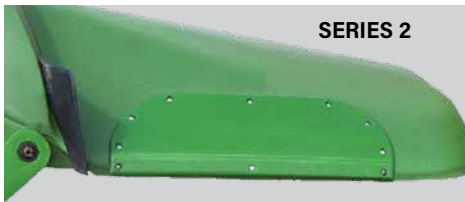


| PART NO | DESCRIPTION | RETAIL PRICE |
|---------|---|--------------|
| 83755 | FOR John Deere 600 and 90 - Series 1 Serial #695300 & Before | \$ 30.59 ea |
| 83756 | FOR John Deere 600 and 90 - Series 2 Serial #695301 & After | \$ 30.59 ea |

Kit includes 1 left strip, 1 right strip & hardware (nuts & bolts).

CROP DIVIDER REAR WEAR KITS FOR OEM POLY

PREVENT PREMATURE WEAR OR REPAIR DAMAGED SNOOTS



Wear strips are molded for an exact-fit design with high-friction tested material to last a very long time in the field.

The smooth finish ensures a quality flow, even when combining.

| PART NO | DESCRIPTION | DIMENSIONS | RETAIL PRICE |
|---------|--|------------------|--------------|
| 83759 | FOR Case IH 2200 /2400 /2600 /3200 /3400 - Small | 4 1/2" x 16" | \$ 27.85 kit |
| 83886 | FOR Case IH 2200 /2400 /2600 /3200 /3400 - Large | 6 1/2" x 18" | \$ 27.85 kit |
| 83760 | FOR New Holland 96C /98C /98D /99C /996 - Small | 4 1/2" x 16" | \$ 27.85 kit |
| 83887 | FOR New Holland 96C /98C /98D /99C /996 - Large | 6 1/2" x 18" | \$ 27.85 kit |
| 83757 | FOR John Deere 600 /90 - Series 1 Serial #695300 & Before | 4 1/2" x 16" | \$ 27.85 kit |
| 83758 | FOR John Deere 600 /90 - Series 2 Serial #695301 & After | 4 1/2" x 18 1/2" | \$ 27.85 kit |

Kit includes 1 left strip, 1 right strip and hardware (sheet metal screw).

UNIVERSAL POLY SNOOT PATCH - 1/8" THICK

REPAIR HIGH WEAR AREAS ON POLY CORN HEADS, NEAR THE GATHERING CHAINS AND SNAPPING ROLLERS.

UHMW poly material is stronger and more wear-resistant than the original poly head material.

| PART NO | DESCRIPTION | DIMENSIONS | RETAIL PRICE |
|---------|-------------|------------|--------------|
| 40998 | White | 9" x 23" | \$ 25 kit |
| 41497 | Red | 9" x 23" | \$ 25 kit |
| 41498 | Green | 9" x 23" | \$ 25 kit |

Kit includes 1 poly patch with hardware (self tapping screws).



POLY SNOOT SAVERS

FOR CASE IH

| PART NO | DESCRIPTION | FRONT WIDTH | BACK WIDTH | RETAIL PRICE |
|---------|--|-------------|------------|--------------|
| 83928 | 2600 /4200 /4400 - Inside - 30" | 4" | 9" | \$ 28 ea |
| 83929 | 2600 /4200 /4400 - Outside - 30" | 4" | 7" | \$ 28 ea |
| 83922 | 2600 /4200 /4400 - Inside - 20/22" | 4" | 6 1/4" | \$ 28 ea |
| 83924 | 2600 /4200 /4400 - Outside - 20/22" | 4 1/4" | 6 1/2" | \$ 28 ea |
| 83795 | 2200 /2400 /3200 /3400 - Inside | 3" | 5 1/4" | \$ 28 ea |
| 83796 | 2200 /2400 /3200 /3400 - Inside with cutout for Height Control Sensor | 3" | 5 1/4" | \$ 28 ea |
| 83797 | 2200 /2400 /3200 /3400 - Outside | 3" | 5 1/4" | \$ 28 ea |
| 83798 | 2200 /2400 /3200 /3400 - Outside with cutout for Height Control Sensor | 3" | 5 1/4" | \$ 28 ea |
| 80837 | Inside Snout - Metal Head Only | 1 1/8" | 5 3/4" | \$ 28 ea |
| 80838 | Outside Snout - Metal Head Only | 1" | 3 7/8" | \$ 28 ea |

FOR JOHN DEERE

| PART NO | DESCRIPTION | FRONT WIDTH | BACK WIDTH | RETAIL PRICE |
|---------|---------------------------------------|-------------|------------|--------------|
| 83624 | 600 /700 /C-Series - Inside - 30" | 3" | 7 7/8" | \$ 28 ea |
| 83625 | 600 /700 - Outside - 30" | 3" | 6 1/8" | \$ 28 ea |
| 84030 | 600 /700 /C-Series - Inside - 20/22" | 3" | 6 1/2" | \$ 28 ea |
| 84032 | 600 /700 - Outside - 20/22" | 4 1/2" | 9" | \$ 28 ea |
| 80839 | 90 /40 Inside Snout - Metal Head Only | 2" | 6 5/8" | \$ 28 ea |
| 80840 | 90 /40 Outside Snout - Metal Head | 2" | 5 1/4" | \$ 28 ea |

FOR DRAGO

| PART NO | DESCRIPTION | FRONT WIDTH | BACK WIDTH | RETAIL PRICE |
|---------|---------------|-------------|------------|--------------|
| 82606 | Inside Snout | 3 1/2" | 8" | \$ 28 ea |
| 82607 | Outside Snout | 3 1/4" | 6 1/4" | \$ 28 ea |

FOR POLY HEADS

| PART NO | DESCRIPTION | FRONT WIDTH | BACK WIDTH | RETAIL PRICE |
|---------|---------------|-------------|------------|--------------|
| 82606 | Inside Snout | 3 1/2" | 8" | \$ 28 ea |
| 82607 | Outside Snout | 3 1/4" | 6 1/4" | \$ 28 ea |

PREVENT DAMAGE TO CORN SNOOTS

The curved design for hollow points is used to lift the point off the ground and create a larger surface area for ground contact. This feature keeps the snout from digging into the dirt and wrinkling the snout, which results in costly repair or replacement.



Inside & Outside Snouts for Case IH 2200/2400/3200/3400



Inside & Outside Snouts with cutout for Height Control Sensor for Case IH 2200/2400/3200/3400

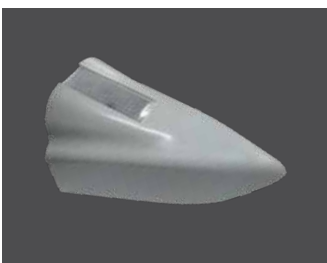


SNOOT BOOTS

| PART NO | DESCRIPTION | RETAIL PRICE |
|---------|--|--------------|
| 83753 | FOR Case IH / New Holland (Gray) - Fits Case IH 2200 /2400 /2600 /3200 /3400 Series & New Holland 98C /98D /99C Series | \$ 17.55 ea |
| 83752 | FOR John Deere (Yellow) - Fits over existing cast point on all 600, 700, 90 & C Series | \$ 17.55 ea |

THE HIGH IMPACT MATERIAL ENSURES A DURABLE PRODUCT THAT WILL BE ON YOUR CORN HEAD FOR YEARS TO COME.

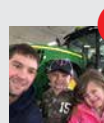
Designed with a smooth surface to aid in preventing trash build up, Snoot Boots easily slide and snap over your existing points. The high visibility boots aid in finding your row centers in rainy harvesting conditions.



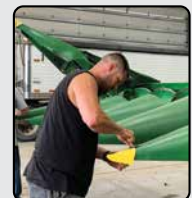
SCAN ME



INSTALLATION VIDEO
John Deere C-Series



Featuring
Minnesota Millennial Farmer



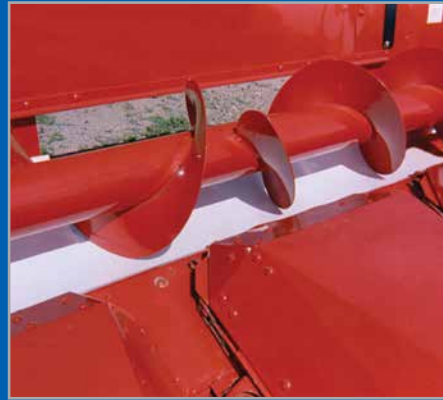
Check out our website - WWW.MAYWES.COM for more information, installation instructions and our full lineup of poly products.

AUGER TROUGH LINERS FOR CORN HEADS - 1/8" THICK

DURABLE POLY WON'T RUST.

May Wes Auger Trough Liners cover the full length of the floor under the auger – not just the feed opening.

Condensation and wet corn will not corrode poly lining when the metal is covered with poly. Even when metal lining is corroded, the poly lining keeps loose grain from falling through rust holes and feeds grain evenly into the throat of the combine.



INSTALLATION VIDEO
John Deere 893

SCAN ME



Featuring
All About Farming

CORN HEAD PARTS

FOR CASE IH

| DESCRIPTION | LINER DEPTH (FRONT TO BACK) | ROW SIZE | PART NO GREEN | PART NO WHITE | PART NO RED | RETAIL PRICE |
|--|-----------------------------|----------|---------------|---------------|-------------|--------------|
| 2600 /4200 /4400 Series - 6 Row | 17 3/4" | 30" Row | - | 83854 | 83861 | \$ 373 kit |
| 2600 /4200 /4400 Series - 8 Row | 17 3/4" | 30" Row | - | 83855 | 83862 | \$ 510 kit |
| 2600 /4200 /4400 Series - 12 Row | 17 3/4" | 30" Row | - | 83856 | 83863 | \$ 747 kit |
| 2600 /4200 /4400 Series - 16 Row | 17 3/4" | 30" Row | - | 83857 | 83864 | \$ 977 kit |
| 2200 /2400 /3200 /3400 Series - 4 Row | 23 1/4" | 30" Row | - | 82647 | 82825 | \$ 326 kit |
| 2200 /2400 /3200 /3400 Series - 6 Row | 23 1/4" | 30" Row | - | 82648 | 82826 | \$ 373 kit |
| 2200 /2400 /3200 /3400 Series - 8 Row | 23 1/4" | 30" Row | - | 82649 | 82827 | \$ 510 kit |
| 2200 /2400 /3200 /3400 Series - 12 Row | 23 1/4" | 30" Row | - | 82650 | 82828 | \$ 747 kit |
| 2200 /2400 /3200 /3400 Series - 16 Row | 23 1/4" | 30" Row | - | 83850 | 83851 | \$ 977 kit |
| 900 /1000 Series - 4 Row | 15 1/2" | 30" Row | - | 82643 | 82821 | \$ 326 kit |
| 900 /1000 Series - 6 Row | 15 1/2" | 30" Row | - | 82644 | 82822 | \$ 373 kit |
| 900 /1000 Series - 8 Row | 15 1/2" | 30" Row | - | 82645 | 82823 | \$ 510 kit |
| 900 /1000 Series - 12 Row | 15 1/2" | 30" Row | - | 82646 | 82824 | \$ 747 kit |

FOR NEW HOLLAND

| DESCRIPTION | LINER DEPTH (FRONT TO BACK) | ROW SIZE | PART NO GREEN | PART NO WHITE | PART NO RED | RETAIL PRICE |
|------------------------------------|-----------------------------|----------|---------------|---------------|-------------|--------------|
| New Holland 96C /98C /98D - 4 Row | 23 1/4" | 30" Row | - | 82647 | - | \$ 326 kit |
| New Holland 96C /98C /98D - 6 Row | 23 1/4" | 30" Row | - | 82648 | - | \$ 373 kit |
| New Holland 96C /98C /98D - 8 Row | 23 1/4" | 30" Row | - | 82649 | - | \$ 510 kit |
| New Holland 96C /98C /98D - 12 Row | 23 1/4" | 30" Row | - | 82650 | - | \$ 747 kit |

FOR JOHN DEERE

| DESCRIPTION | LINER DEPTH (FRONT TO BACK) | ROW SIZE | PART NO GREEN | PART NO WHITE | PART NO RED | RETAIL PRICE |
|-----------------------------|-----------------------------|----------|---------------|---------------|-------------|--------------|
| 600 /700 /C Series - 6 Row | 20" | 30" Row | 82880 | 82727 | - | \$ 373 kit |
| 600 /700 /C Series - 8 Row | 20" | 30" Row | 82881 | 82728 | - | \$ 510 kit |
| 600 /700 /C Series - 12 Row | 20" | 30" Row | 82882 | 82729 | - | \$ 747 kit |
| 40 /90 Series - 4 Row | 15 1/2" | 30" Row | 82793 | 82075 | - | \$ 326 kit |
| 40 /90 Series - 6 Row | 15 1/2" | 30" Row | 82794 | 82076 | - | \$ 373 kit |
| 40 /90 Series - 8 Row | 15 1/2" | 30" Row | 82795 | 82077 | - | \$ 515 kit |
| 40 /90 Series - 12 Row | 15 1/2" | 30" Row | 82796 | 82078 | - | \$ 752 kit |

More models listed on p. 109

Need a single replacement panel? Order online or call May Wes at 1-800-788-6483.

AUGER TROUGH LINERS FOR CORN HEADS - 1/8" THICK

FOR GERINGHOFF **NEW**

| DESCRIPTION | LINER DEPTH (FRONT TO BACK) | ROW SIZE | PART NO GREEN | PART NO WHITE | PART NO RED | RETAIL PRICE |
|-----------------------|-----------------------------|----------|---------------|---------------|-------------|--------------|
| 2012 & Newer - 6 Row | 22 1/4" | 30" Row | - | 85038 | - | \$ 373 kit |
| 2012 & Newer - 8 Row | 22 1/4" | 30" Row | - | 85039 | - | \$ 510 kit |
| 2012 & Newer - 12 Row | 22 1/4" | 30" Row | - | 85040 | - | \$ 747 kit |
| 2011 & Older - 6 Row | 23 3/8" | 30" Row | - | 85042 | - | \$ 373 kit |
| 2011 & Older - 8 Row | 23 3/8" | 30" Row | - | 85043 | - | \$ 510 kit |
| 2011 & Older - 12 Row | 23 3/8" | 30" Row | - | 85044 | - | \$ 747 kit |

UNIVERSAL AUGER LINER KITS **NEW**

| DESCRIPTION | LINER DEPTH (FRONT TO BACK) | ROW SIZE | PART NO GREEN | PART NO WHITE | PART NO RED | RETAIL PRICE |
|----------------------|-----------------------------|----------|---------------|---------------|-------------|--------------|
| 6 Row Universal Kit | 24" | 30" Row | - | 85030 | - | \$ 373 kit |
| 8 Row Universal Kit | 24" | 30" Row | - | 85031 | - | \$ 510 kit |
| 12 Row Universal Kit | 24" | 30" Row | - | 85032 | - | \$ 747 kit |

Just need a single replacement panel? Order online or call May Wes at 1-800-788-6483.

SHOE COVER FOR JOHN DEERE C-SERIES OEM STALK STOMPERS



CNC machine cut and predrilled.
Includes single shoe cover and hardware (nuts and bolts).

42756 \$ 42 ea

INSTALLATION VIDEO
John Deere C-Series

Featuring
Minnesota Millennial Farmer



Protect your OEM Stompers from wear and tear!

TRASH APRONS

1/4" THICK CLOTH EMBEDDED RUBBER
LESS EXPENSIVE THAN OEM

STARTING ON PAGE 111

ROW DIVIDER SHIELDS



Image shows Poly Cover Only installed on OEM row divider.

Extends the Life of Row Dividers
The durable UHMW shield reinforces the divider and covers worn spots.

42125
30" Poly Cover Only
600/700 Series

42760
30" Poly Cover Only
C-Series

42124
20"/22" Poly Cover Only
600/700 Series

42759
20"/22" Poly Cover Only
C-Series

43267
30" Full OEM Replacement
600/700 Series

43268
20"/22" Full OEM Replacement
600/700 Series

TWO COST EFFECTIVE OPTIONS

Poly Cover Only - Protects the Existing OEM Divider

Full Replacement Row Divider - Complete Poly Replacement (with Bracket) for the OEM Divider

| POLY COVER ONLY | | | |
|-----------------|---|-------------|--------------|
| PART NO | DESCRIPTION | ROW SPACING | RETAIL PRICE |
| 42760 | John Deere C-Series (Fits over OEM #AXE85830) | 30" | \$ 77 ea |
| 42759 | John Deere C-Series (Fits over OEM #AXE85831) | 20" /22" | \$ 77 ea |
| 42125 | John Deere 600 /700 (Fits over OEM #AXE18146) | 30" | \$ 67 ea |
| 42124 | John Deere 600 /700 (Fits over OEM #AXE19102) | 20" /22" | \$ 67 ea |



Sold per row and hardware is included (nuts & bolts).

| FULL REPLACEMENT ROW DIVIDER NEW | | | |
|---|--|-------------|--------------|
| PART NO | DESCRIPTION | ROW SPACING | RETAIL PRICE |
| 43267 | John Deere 600 /700 (Replaces OEM #AXE18146) | 30" | \$ 112 ea |
| 43268 | John Deere 600 /700 (Replaces OEM #AXE19102) | 20" /22" | \$ 112 ea |

Sold per row and hardware is included (bracket, nuts & bolts).

INSTALLATION VIDEO
with Larson Farms


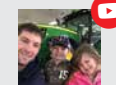
Scan the QR code with your phone to watch now.

SCAN ME

INSTALLATION VIDEO
with MN Millennial Farmer

Scan the QR code with your phone to watch now.

SCAN ME



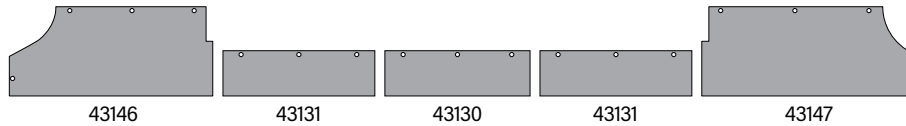
CORN HEAD PARTS

CROP SHIELDS / TRASH APRONS

• 1/4" THICK CLOTH EMBEDDED RUBBER • LESS EXPENSIVE THAN OEM • HARDWARE INCLUDED

KIT FOR JOHN DEERE 606C 30" Row Spacing - Before Serial Number 745100

| PART NO | MODEL | ROW SPACING | SERIAL NUMBER BREAK | RETAIL PRICE |
|---------|-------|-------------|---------------------|--------------|
| 84948 | 606C | 30" | Before 745100 | \$ 542 kit |

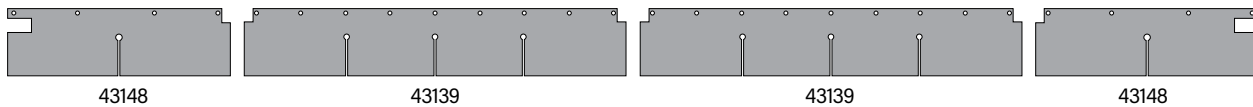


REPLACEMENT PARTS

| PART NO | OEM | WIDTH | RETAIL PRICE | PART NO | OEM | WIDTH | RETAIL PRICE |
|---------|---------|---------|--------------|---------|---------|---------|--------------|
| 43130 | H227177 | 28 7/8" | \$ 65 ea | 43146 | H228482 | 40 1/2" | \$ 173 ea |
| 43131 | H227178 | 30 7/8" | \$ 64 ea | 43147 | H228483 | 40 3/4" | \$ 173 ea |

KIT FOR JOHN DEERE C6R/606C/706C 30" Row Spacing - After Serial Number 745101

| PART NO | MODEL | ROW SPACING | SERIAL NUMBER BREAK | RETAIL PRICE |
|---------|---------------|-------------|---------------------|--------------|
| 84949 | C6R/606C/706C | 30" | After 745101 | \$ 382 kit |

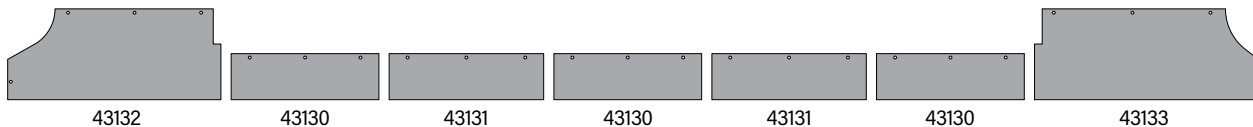


REPLACEMENT PARTS

| PART NO | OEM | WIDTH | RETAIL PRICE | PART NO | OEM | WIDTH | RETAIL PRICE |
|---------|----------|-------|--------------|---------|----------|---------|--------------|
| 43139 | HXE30386 | 54" | \$ 95 ea | 43148 | HXE89078 | 31 1/2" | \$ 95 ea |

KIT FOR JOHN DEERE 608C 30" Row Spacing - Before Serial Number 745100

| PART NO | MODEL | ROW SPACING | SERIAL NUMBER BREAK | RETAIL PRICE |
|---------|-------|-------------|---------------------|--------------|
| 84950 | 608C | 30" | Before 745100 | \$ 574 kit |

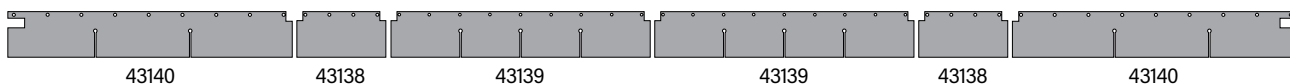


REPLACEMENT PARTS

| PART NO | OEM | WIDTH | RETAIL PRICE | PART NO | OEM | WIDTH | RETAIL PRICE |
|---------|---------|---------|--------------|---------|---------|-----------|--------------|
| 43130 | H227177 | 28 7/8" | \$ 65 ea | 43132 | H227180 | 41 11/16" | \$ 119 ea |
| 43131 | H227178 | 30 7/8" | \$ 64 ea | 43133 | H227181 | 43 3/4" | \$ 138 ea |

KIT FOR JOHN DEERE C8R/608C/708C 30" Row Spacing - After Serial Number 745101

| PART NO | MODEL | ROW SPACING | SERIAL NUMBER BREAK | RETAIL PRICE |
|---------|---------------|-------------|---------------------|--------------|
| 84951 | C8R/608C/708C | 30" | After 745100 | \$ 552 kit |



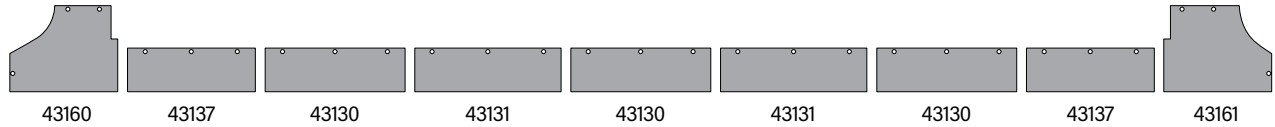
REPLACEMENT PARTS

| PART NO | OEM | WIDTH | RETAIL PRICE | PART NO | OEM | WIDTH | RETAIL PRICE | PART NO | OEM | WIDTH | RETAIL PRICE |
|---------|----------|----------|--------------|---------|----------|-------|--------------|---------|----------|---------|--------------|
| 43138 | HXE21077 | 18 9/16" | \$ 68 ea | 43139 | HXE30386 | 54" | \$ 95 ea | 43140 | HXE89079 | 42 3/4" | \$ 105 ea |

CROP SHIELDS / TRASH APRONS

KIT FOR JOHN DEERE 612C 20" Row Spacing - Before Serial Number 745100

| PART NO | MODEL | ROW SPACING | SERIAL NUMBER BREAK | RETAIL PRICE |
|---------|-------|-------------|---------------------|--------------|
| 84953 | 612C | 20" | Before 745100 | \$ 722 kit |

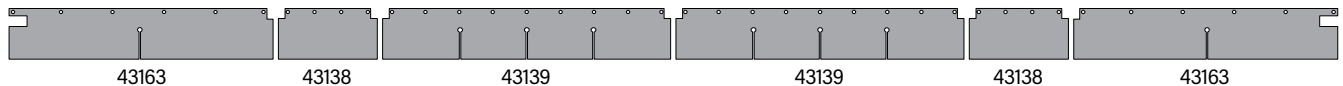


REPLACEMENT PARTS

| PART NO | OEM | WIDTH | RETAIL PRICE | PART NO | OEM | WIDTH | RETAIL PRICE |
|---------|---------|---------|--------------|---------|---------|---------|--------------|
| 43130 | H227177 | 28 7/8" | \$ 65 ea | 43160 | H233429 | 22 1/4" | \$ 112 ea |
| 43131 | H227178 | 30 7/8" | \$ 64 ea | 43161 | H228508 | 22 1/4" | \$ 132 ea |
| 43137 | H227185 | 26 3/8" | \$ 84 ea | | | | |

KIT FOR JOHN DEERE C12R/612C/712C 20" Row Spacing - After Serial Number 745101

| PART NO | MODEL | ROW SPACING | SERIAL NUMBER BREAK | RETAIL PRICE |
|---------|----------------|-------------|---------------------|--------------|
| 84954 | C12R/612C/712C | 20" | After 745101 | \$ 594 kit |

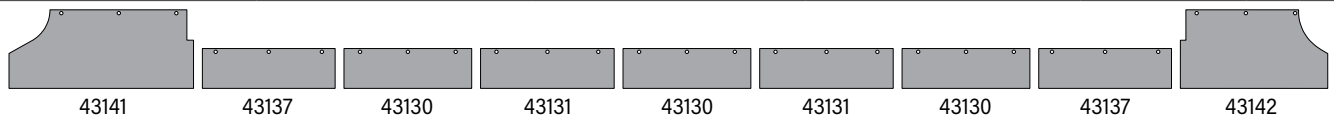


REPLACEMENT PARTS

| PART NO | OEM | WIDTH | RETAIL PRICE | PART NO | OEM | WIDTH | RETAIL PRICE | PART NO | OEM | WIDTH | RETAIL PRICE |
|---------|----------|----------|--------------|---------|----------|-------|--------------|---------|----------|---------|--------------|
| 43138 | HXE21077 | 18 9/16" | \$ 68 ea | 43139 | HXE30386 | 54" | \$ 95 ea | 43163 | HXE89083 | 49 1/2" | \$ 125 ea |

KIT FOR JOHN DEERE 612C 22" Row Spacing - Before Serial Number 745100

| PART NO | MODEL | ROW SPACING | SERIAL NUMBER BREAK | RETAIL PRICE |
|---------|-------|-------------|---------------------|--------------|
| 84955 | 612C | 22" | Before 745100 | \$ 712 kit |

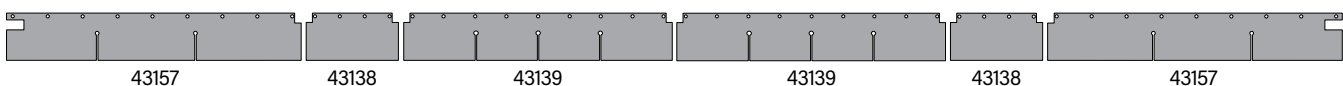


REPLACEMENT PARTS

| PART NO | OEM | WIDTH | RETAIL PRICE | PART NO | OEM | WIDTH | RETAIL PRICE |
|---------|---------|---------|--------------|---------|---------|-----------|--------------|
| 43130 | H227177 | 28 7/8" | \$ 65 ea | 43141 | H228513 | 41 11/16" | \$ 119 ea |
| 43131 | H227178 | 30 7/8" | \$ 64 ea | 43142 | H228514 | 33 5/16" | \$ 119 ea |
| 43137 | H227185 | 26 3/8" | \$ 84 ea | | | | |

KIT FOR JOHN DEERE 612C 22" Row Spacing - Serial Number 745101 - 774999

| PART NO | MODEL | ROW SPACING | SERIAL NUMBER BREAK | RETAIL PRICE |
|---------|-------|-------------|---------------------|--------------|
| 84496 | 612C | 22" | 745101 - 774999 | \$ 557 kit |



REPLACEMENT PARTS

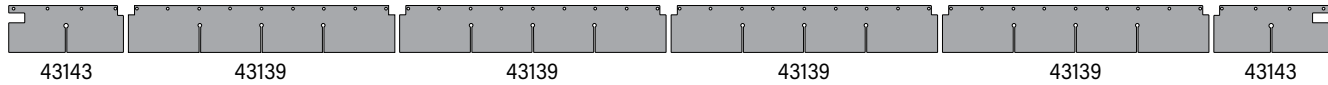
| PART NO | OEM | WIDTH | RETAIL PRICE | PART NO | OEM | WIDTH | RETAIL PRICE | PART NO | OEM | WIDTH | RETAIL PRICE |
|---------|----------|----------|--------------|---------|----------|-------|--------------|---------|----------|---------|--------------|
| 43138 | HXE21077 | 18 9/16" | \$ 68 ea | 43139 | HXE30386 | 54" | \$ 95 ea | 43157 | HXE89085 | 59 1/4" | \$ 119 ea |

CORN HEAD PARTS

CROP SHIELDS / TRASH APRONS

KIT FOR JOHN DEERE C12R/612C/712C 22" Row Spacing - After Serial Number 774999

| PART NO | MODEL | ROW SPACING | SERIAL NUMBER BREAK | RETAIL PRICE |
|---------|----------------|-------------|---------------------|--------------|
| 84956 | C12R/612C/712C | 22" | After 774999 | \$ 520 kit |



REPLACEMENT PARTS

| PART NO | OEM | WIDTH | RETAIL PRICE | PART NO | OEM | WIDTH | RETAIL PRICE |
|---------|----------|-------|--------------|---------|----------|---------|--------------|
| 43139 | HXE30386 | 54" | \$ 95 ea | 43143 | HXE89077 | 23 1/4" | \$ 66 ea |

KIT FOR JOHN DEERE 612C 30" Row Spacing - Before Serial Number 745100

| PART NO | MODEL | ROW SPACING | SERIAL NUMBER BREAK | RETAIL PRICE |
|---------|-------|-------------|---------------------|--------------|
| 84957 | 612C | 30" | Before 745100 | \$ 1008 kit |



REPLACEMENT PARTS

| PART NO | OEM | WIDTH | RETAIL PRICE | PART NO | OEM | WIDTH | RETAIL PRICE |
|---------|---------|----------|--------------|---------|---------|---------|--------------|
| 43130 | H227177 | 28 7/8" | \$ 65 ea | 43137 | H227185 | 26 3/8" | \$ 84 ea |
| 43131 | H227178 | 30 7/8" | \$ 64 ea | 43144 | H227183 | 43 3/4" | \$ 173 ea |
| 43136 | H227184 | 33 5/16" | \$ 84 ea | 43145 | H227182 | 41 3/4" | \$ 173 ea |

KIT FOR JOHN DEERE C12R/612C/712C 30" Row Spacing - After Serial Number 745101

| PART NO | MODEL | ROW SPACING | SERIAL NUMBER BREAK | RETAIL PRICE |
|---------|----------------|-------------|---------------------|--------------|
| 84958 | C12R/612C/712C | 30" | After 745101 | \$ 606 kit |

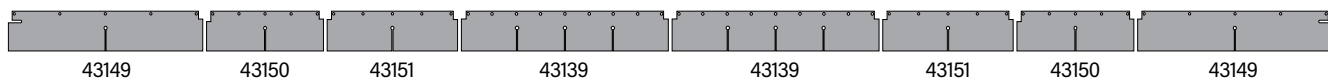


REPLACEMENT PARTS

| PART NO | OEM | WIDTH | RETAIL PRICE | PART NO | OEM | WIDTH | RETAIL PRICE | PART NO | OEM | WIDTH | RETAIL PRICE |
|---------|----------|-------|--------------|---------|----------|---------|--------------|---------|----------|-------|--------------|
| 43134 | HXE89082 | 53" | \$ 78 ea | 43135 | HXE17918 | 67 1/8" | \$ 125 ea | 43139 | HXE30386 | 54" | \$ 95 ea |

KIT FOR JOHN DEERE 612FC/712FC 30" Row Spacing

| PART NO | MODEL | ROW SPACING | SERIAL NUMBER BREAK | RETAIL PRICE |
|---------|-------------|-------------|---------------------|--------------|
| 84497 | 612FC/712FC | 30" | N/A | \$ 870 kit |



REPLACEMENT PARTS

| PART NO | OEM | WIDTH | RETAIL PRICE | PART NO | OEM | WIDTH | RETAIL PRICE |
|---------|----------|---------|--------------|---------|----------|---------|--------------|
| 43139 | HXE30386 | 54" | \$ 95 ea | 43150 | 5XB00758 | 30 1/2" | \$ 119 ea |
| 43149 | 5XB00759 | 50 3/4" | \$ 125 ea | 43151 | 5XB00763 | 34" | \$ 97 ea |

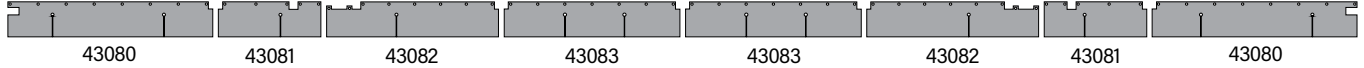


Check out our website - WWW.MAYWES.COM
for more information, installation instructions and our full lineup of poly products.

CROP SHIELDS / TRASH APRONS

KIT FOR JOHN DEERE C12F 30" Row Spacing

| PART NO | MODEL | ROW SPACING | SERIAL NUMBER BREAK | RETAIL PRICE |
|---------|-------|-------------|---------------------|--------------|
| 84964 | C12F | 30" | N/A | \$ 901 kit |

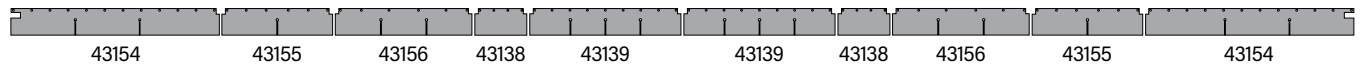


REPLACEMENT PARTS

| PART NO | OEM | WIDTH | RETAIL PRICE | PART NO | OEM | WIDTH | RETAIL PRICE |
|---------|-----------|----------|--------------|---------|-----------|----------|--------------|
| 43080 | HXE135077 | 18 3/16" | \$ 137 ea | 43082 | HXE162042 | 46 5/16" | \$ 115 ea |
| 43081 | HXE162043 | 27 9/16" | \$ 79 ea | 43083 | HXE135250 | 47 5/16" | \$ 116 ea |

KIT FOR JOHN DEERE C16R/616C/716C 30" Row Spacing

| PART NO | MODEL | ROW SPACING | SERIAL NUMBER BREAK | RETAIL PRICE |
|---------|----------------|-------------|---------------------|--------------|
| 84959 | C16R/616C/716C | 30" | N/A | \$ 1083 kit |

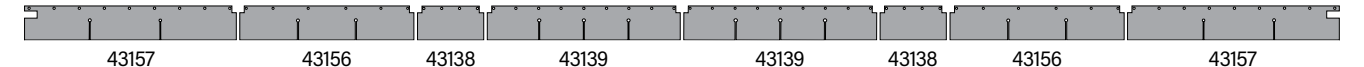


REPLACEMENT PARTS

| PART NO | OEM | WIDTH | RETAIL PRICE | PART NO | OEM | WIDTH | RETAIL PRICE |
|---------|----------|----------|--------------|---------|----------|---------|--------------|
| 43138 | HXE21077 | 18 9/16" | \$ 68 ea | 43155 | HXE17919 | 39 1/2" | \$ 119 ea |
| 43139 | HXE30386 | 54" | \$ 95 ea | 43156 | HXE20821 | 48 3/4" | \$ 119 ea |
| 43154 | HXE89084 | 74 5/16" | \$ 138 ea | | | | |

KIT FOR JOHN DEERE C18R/618C/718C 20" Row Spacing

| PART NO | MODEL | ROW SPACING | SERIAL NUMBER BREAK | RETAIL PRICE |
|---------|----------------|-------------|---------------------|--------------|
| 84960 | C18R/618C/718C | 20" | N/A | \$ 806 kit |

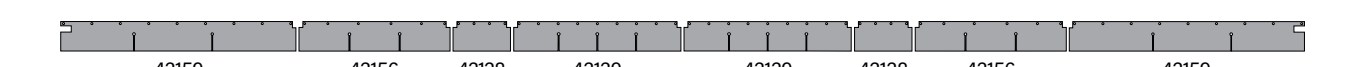


REPLACEMENT PARTS

| PART NO | OEM | WIDTH | RETAIL PRICE | PART NO | OEM | WIDTH | RETAIL PRICE |
|---------|----------|----------|--------------|---------|----------|---------|--------------|
| 43138 | HXE21077 | 18 9/16" | \$ 68 ea | 43156 | HXE20821 | 48 3/4" | \$ 119 ea |
| 43139 | HXE30386 | 54" | \$ 95 ea | 43157 | HXE89085 | 59 1/4" | \$ 119 ea |

KIT FOR JOHN DEERE C18R/618C/718C 22" Row Spacing

| PART NO | MODEL | ROW SPACING | SERIAL NUMBER BREAK | RETAIL PRICE |
|---------|----------------|-------------|---------------------|--------------|
| 84961 | C18R/618C/718C | 22" | N/A | \$ 828 kit |



REPLACEMENT PARTS

| PART NO | OEM | WIDTH | RETAIL PRICE | PART NO | OEM | WIDTH | RETAIL PRICE |
|---------|----------|----------|--------------|---------|----------|---------|--------------|
| 43138 | HXE21077 | 18 9/16" | \$ 68 ea | 43156 | HXE20821 | 48 3/4" | \$ 119 ea |
| 43139 | HXE30386 | 54" | \$ 95 ea | 43159 | HXE89086 | 75 7/8" | \$ 132 ea |



C-Series OEM Stomper Covers - page 109
John Deere Row Divider Shields - page 110

CROP SHIELDS / TRASH APRONS

REPLACEMENT PARTS FOR CASE IH CROP SHIELD / TRASH APRON

| PART NO | OEM | CASE IH MODELS | QTY REQ | WIDTH | HEIGHT | RETAIL PRICE |
|---------|----------|--------------------|---------|----------|-----------|--------------|
| 43128 | 48113581 | 4412 - 22" Spacing | 25 | 9 11/16" | 9 1/4" | \$ 38 ea |
| | | 4418 - 20" Spacing | 34 | | | |
| | | 4418 - 22" Spacing | 38 | | | |
| 43129 | 84977584 | 2608 - 30" Spacing | 22 | 9 3/4" | 11 11/16" | \$ 38 ea |
| | | 2612 - 30" Spacing | 34 | | | |
| | | 4206 - 30" Spacing | 14 | | | |
| | | 4208 - 30" Spacing | 22 | | | |
| | | 4406 - 30" Spacing | 16 | | | |
| | | 4408 - 30" Spacing | 22 | | | |
| | | 4412 - 30" Spacing | 32 | | | |
| | | 4416 - 30" Spacing | 32 | | | |

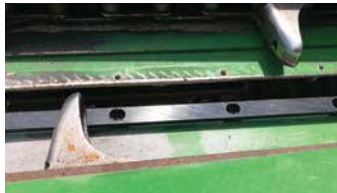
KERNEL KEEPER™

CUSHION AND CAPTURE TO REDUCE KERNEL SHATTER AND PUT MORE KERNELS IN YOUR COMBINE.



HOW DOES IT WORK?

1. Dampener rails cushion the impact of the ear on the deck plate, absorbing the energy and resulting in fewer kernels dislodging from the ear.
2. Rails also capture any dislodged kernels before they can slide between the deck plates.
3. Brushes sweep the captured kernels into the auger bed and into the combine.



SAVE OVER \$500 PER ROW VS THE COMPETITION

At \$195 per row, we offer the most cost effective solution to head loss on the market. **The Kernel Keeper is profitable at just 1/3 bushel savings per acre, while average head loss is 2-3 bushels per acre.**

KITS FOR JOHN DEERE

REPLACEMENT PARTS

| MODEL | RIVETED KIT | RETAIL PRICE | RIVETED RAILS | RETAIL PRICE | BRUSHES | RETAIL PRICE |
|---------------------|-------------|--------------|---------------|--------------|---------|--------------|
| 700/C-Series/Rowmax | 84047 | \$ 390 kit | 43225 | \$ 143 row | 43234 | \$ 157 row |
| 600 Series | 84049 | \$ 390 kit | 43225 | \$ 143 row | 43235 | \$ 157 row |
| 90/40 Series | 84051 | \$ 390 kit | 43225 | \$ 143 row | 43236 | \$ 157 row |

One kit covers two rows. Includes 4 rails, 32 brushes, and hardware.

All replacement parts include hardware for easy installation.



QUESTIONS?
Watch our Kernel Keeper FAQ video.



INSTALL VIDEO
Learn how to install the Kernel Keeper.

EAR SAVERS

PREVENT LOOSE EARS FROM SLIDING OVER THE GATHERING CHAINS TO THE GROUND

WHAT MAKES OUR EAR SAVERS BETTER?

- Better Memory Than Factory Rubber
- Will Not Fold Back Like Factory Ear Savers
Once the corn is in, won't push back through the gate
- Stays Rigid and Works Like a Gate,
yet soft enough to let corn go through without knocking the ears off the corn stalk.

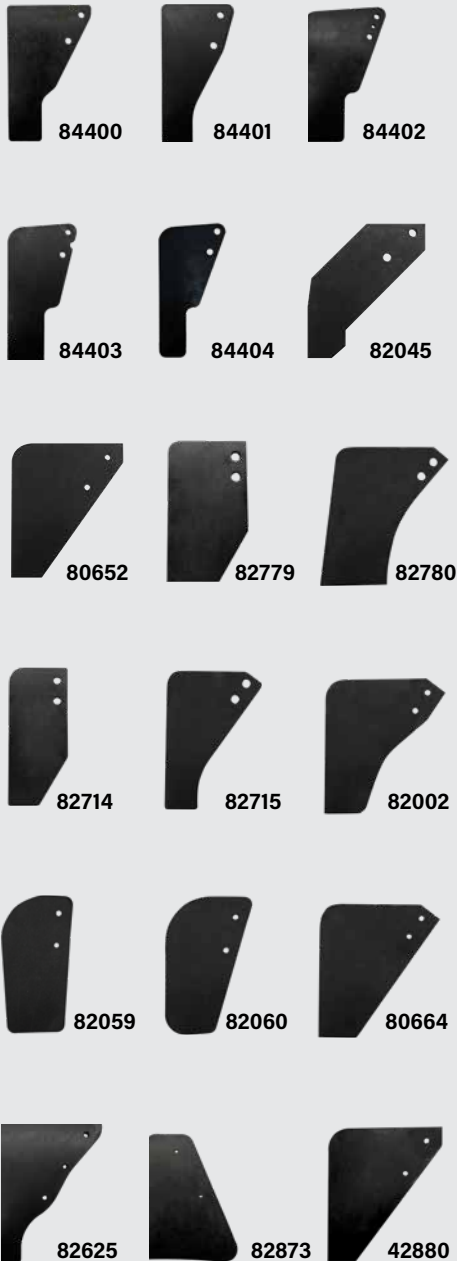


INSTALLATION VIDEO
John Deere 893

SCAN ME



Featuring
All About Farming



FOR CASE IH

| PART NO | DESCRIPTION | ROW SIZE | RETAIL PRICE |
|---------|--|----------|--------------|
| 84400 | FOR Case IH 4400 /4200 - Inside | 30" | \$ 19 ea |
| 84401 | FOR Case IH 4400 /4200 - Outside | 30" | \$ 19 ea |
| 84402 | FOR Case IH 4400 - Inside | 22" | \$ 19 ea |
| 84404 | FOR Case IH 4400 - Inside | 20" | \$ 19 ea |
| 84403 | FOR Case IH 4400 - Outside | 20" /22" | \$ 19 ea |
| 82045 | FOR Case IH 3400 /3200 /2600 /2400 /2200 | 30" | \$ 19 ea |
| 80652 | FOR Case IH 1000 /900 /800 & GVL Poly Head | 30" | \$ 19 ea |

FOR NEW HOLLAND

| PART NO | DESCRIPTION | ROW SIZE | RETAIL PRICE |
|---------|------------------------------------|----------|--------------|
| 82045 | FOR New Holland 96C /98C /98D /996 | 30" | \$ 19 ea |
| 84400 | FOR New Holland 980CR - Inside | 30" | \$ 19 ea |
| 84401 | FOR New Holland 980CR - Outside | 30" | \$ 19 ea |

FOR JOHN DEERE

| PART NO | DESCRIPTION | ROW SIZE | RETAIL PRICE |
|---------|---|----------|--------------|
| 82779 | FOR John Deere 600 /700 /C-Series - Outside (Extra Wide To Accommodate 22" Rows with 20" Snouts) | 22" | \$ 19 ea |
| 82780 | FOR John Deere 600 /700 /C-Series - Inside (Extra Wide To Accommodate 22" Rows with 20" Snouts) | 22" | \$ 19 ea |
| 82714 | FOR John Deere 600 /700 /C-Series - Outside | 30" | \$ 19 ea |
| 82715 | FOR John Deere 600 /700 /C-Series - Inside | 30" | \$ 19 ea |
| 82002 | FOR John Deere 90 Series Poly Head (1998 & Newer) | 30" | \$ 19 ea |
| 82059 | FOR John Deere 90 Series Poly Head (Inside - Prior to 1998) | 30" | \$ 19 ea |
| 82060 | FOR John Deere 90 Series Poly Head (Outside - Prior to 1998) | 30" | \$ 19 ea |
| 80664 | FOR John Deere 40 Series | 30" | \$ 19 ea |

FOR CATERPILLAR /LEXION

| PART NO | DESCRIPTION | ROW SIZE | RETAIL PRICE |
|---------|-----------------------------------|----------|--------------|
| 82625 | FOR Caterpillar /Lexion - Inside | 30" | \$ 19 ea |
| 82873 | FOR Caterpillar /Lexion - Outside | 30" | \$ 32 ea |

FOR GVL POLY CORN SNOOTS

| PART NO | DESCRIPTION | ROW SIZE | RETAIL PRICE |
|---------|---------------------|---------------|--------------|
| 42880 | FOR GVL Poly Snouts | 20" /22" /30" | \$ 19 ea |

CORN HEAD PARTS

AUGER TROUGH LINERS FOR GRAIN HEADS - 1/4" THICK

DURABLE POLY WON'T RUST.

May Wes Auger Trough Liners

Cover the full length of the floor under the auger
- not just the feed opening.

Condensation and wet grain will not corrode poly lining when the metal is covered with poly. Even when the metal is corroded, the poly lining prevents loose grain from falling through rust holes and feeds grain evenly into the throat of the combine.

Poly lining is much easier to replace than factory metal.
Simply drill and rivet into place.



FOR CASE IH FLEX HEAD & DRAPER

| DESCRIPTION | HEAD WIDTH | PART NO - GREEN | PART NO - WHITE | PART NO - RED | RETAIL PRICE |
|------------------|---------------|-----------------|-----------------|---------------|--------------|
| 2142 /2152 /2162 | Any | - | 42757 | - | \$ 253 kit |
| 2020 Series | 20' | - | 83725 | 83729 | \$ 589 kit |
| 2020 Series | 25' | - | 83726 | 83730 | \$ 799 kit |
| 2020 Series | 30' | - | 83727 | 83731 | \$ 972 kit |
| 2020 Series | 35' | - | 83728 | 83732 | \$ 1077 kit |
| 1020 Series | 15' | - | 83715 | 83720 | \$ 500 kit |
| 1020 Series | 17 1/2' & 20' | - | 83716 | 83721 | \$ 589 kit |
| 1020 Series | 22 1/2' | - | 83717 | 83722 | \$ 747 kit |
| 1020 Series | 25' | - | 83718 | 83723 | \$ 799 kit |
| 1020 Series | 30' | - | 83719 | 83724 | \$ 972 kit |

FOR NEW HOLLAND FLEX HEAD

| DESCRIPTION | HEAD WIDTH | PART NO - GREEN | PART NO - WHITE | PART NO - RED | RETAIL PRICE |
|-------------|------------|-----------------|-----------------|---------------|--------------|
| 74C Series | 20' | - | 83725 | - | \$ 589 kit |
| 74C Series | 25' | - | 83726 | - | \$ 799 kit |
| 74C Series | 30' | - | 83727 | - | \$ 972 kit |
| 74C Series | 35' | - | 83728 | - | \$ 1077 kit |

FOR JOHN DEERE FLEX HEAD

| DESCRIPTION | HEAD WIDTH | PART NO - GREEN | PART NO - WHITE | PART NO - RED | RETAIL PRICE |
|-------------------|------------|-----------------|-----------------|---------------|--------------|
| 600F /700F Series | 20' | 83780 | 82706 | - | \$ 589 kit |
| 600F /700F Series | 22' | 83781 | 82707 | - | \$ 705 kit |
| 600F /700F Series | 25' | 83782 | 82708 | - | \$ 788 kit |
| 600F /700F Series | 30' | 83783 | 82709 | - | \$ 920 kit |
| 600F /700F Series | 35' | 83784 | 82710 | - | \$ 1077 kit |
| 200 /900 Series | 13' - 16' | 83785 | 83593 | - | \$ 500 kit |
| 200 /900 Series | 18' - 20' | 83786 | 83594 | - | \$ 620 kit |
| 200 /900 Series | 22' - 24' | 83787 | 83595 | - | \$ 735 kit |
| 200 /900 Series | 25' | 83788 | 83596 | - | \$ 799 kit |
| 200 /900 Series | 30' | 83789 | 83597 | - | \$ 972 kit |

FOR MACDON FLEX DRAPER

| DESCRIPTION | HEAD WIDTH | PART NO - GREEN | PART NO - WHITE | PART NO - RED | RETAIL PRICE |
|----------------------------|------------|-----------------|-----------------|---------------|--------------|
| FD70 / FD75 / / FD1 Series | Any | - | 42757 | - | \$ 253 kit |

Need a single replacement panel? Order online or call May Wes at 1-800-788-6483.

QUESTIONS?

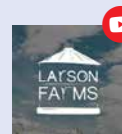
Watch our FAQ video.

Scan the code with your smartphone to watch on YouTube.



INSTALLATION VIDEO

featuring
Larson Farms



RETRACTABLE POLY FINGERS FOR GRAIN HEADS

THE COMMON SENSE AUGER FINGER REPLACEMENT CHOICE



May Wes Poly Retractable Fingers **OUTPERFORM** metal on multiple levels

STRONG & RESILIENT

May Wes Poly Retractable Fingers will not fray with heavy usage. These fingers are flexible and will bend past the breaking point of metal fingers.

NO HARM TO YOUR COMBINE

Bent metal fingers can gouge and poke through the auger. Broken metal fingers can do costly damage to the drum and thresher system. The advantage poly fingers have over metal is when they eventually break, the poly will disintegrate as it passes through the combine and will not damage the internal working parts like rotors and cylinders.

COST EFFECTIVE

Poly fingers are less expensive than metal.



As Featured by
Fast Ag Montana

SCAN ME



FOR CASE IH 3020 /3016 /3162 /3152 SERIES - 10 1/4" LONG

| PART NO | DESCRIPTION | RETAIL PRICE |
|---------|--------------------------------|---------------|
| 82128 | Poly Finger - 100 Fingers only | \$ 952 pk |
| 82129 | Poly Finger - 24 Fingers only | \$ 237.60 pk |
| 82130 | Poly Finger - 12 Pack Kit | \$ 157.60 kit |
| 82131 | Single Poly Finger Kit | \$ 14.40 kit |
| 41967 | Single Poly Finger | \$ 11.20 ea |
| 42200 | Guide Kit with Hardware | \$ 7 ea |
| 22407 | Guide Only | \$ 4 ea |

FOR Case IH 3020 /3016 /3162 /3152 Series



FOR CASE IH 2020 SERIES - 10 5/8" LONG

| PART NO | DESCRIPTION | RETAIL PRICE |
|---------|--------------------------------|---------------|
| 82484 | Poly Finger - 100 Fingers only | \$ 952 pk |
| 82483 | Poly Finger - 24 Fingers only | \$ 237.60 pk |
| 82482 | Poly Finger - 12 Pack Kit | \$ 157.60 kit |
| 82481 | Single Poly Finger Kit | \$ 14.40 kit |
| 41488 | Single Poly Finger | \$ 11.20 ea |
| 42200 | Guide Kit with Hardware | \$ 7 ea |
| 22407 | Guide Only | \$ 4 ea |

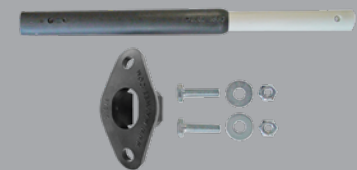
FOR Case IH 2020 SERIES Serial #CBJ020701 & Later



FOR CASE IH 2020 /1020 - 10 5/8" LONG

| PART NO | DESCRIPTION | RETAIL PRICE |
|---------|--------------------------------|---------------|
| 82484 | Poly Finger - 100 Fingers only | \$ 952 pk |
| 82483 | Poly Finger - 24 Fingers only | \$ 237.60 pk |
| 83469 | Poly Finger - 12 Pack Kit | \$ 157.60 kit |
| 83468 | Single Poly Finger Kit | \$ 14.40 kit |
| 41488 | Single Poly Finger | \$ 11.20 ea |
| 40274 | Guide Kit with Hardware | \$ 7 ea |
| 21018 | Guide Only | \$ 4 ea |

FOR Case IH 2020 /1020 SERIES Before Serial #CBJ020701



FOR CASE IH 1010 /1020 /2162 /2152 /2142 SERIES - 9 1/8" LONG

| PART NO | DESCRIPTION | RETAIL PRICE |
|---------|--------------------------------|---------------|
| 81369 | Poly Finger - 100 Fingers only | \$ 952 pk |
| 81988 | Poly Finger - 24 Fingers only | \$ 237.60 pk |
| 80645 | Poly Finger - 12 Pack Kit | \$ 157.60 kit |
| 80646 | Single Poly Finger Kit | \$ 14.40 kit |
| 40601 | Single Poly Finger | \$ 11.20 ea |
| 42200 | Guide Kit with Hardware | \$ 7 ea |
| 22407 | Guide Only | \$ 4 ea |

FOR Case IH 1010 /1020 /2162 /2152 /2142 Series



GRAIN HEAD PARTS

RETRACTABLE POLY FINGERS FOR GRAIN HEADS

FOR CASE IH 2062 /2052 /2042 SERIES - 7 7/16" LONG

| PART NO | DESCRIPTION | RETAIL PRICE |
|---------|--------------------------------|---------------|
| 82618 | Poly Finger - 100 Fingers only | \$ 1124.80 pk |
| 82617 | Poly Finger - 24 Fingers only | \$ 277.60 pk |
| 82616 | Poly Finger - 12 Pack Kit | \$ 177.60 kit |
| 82615 | Single Poly Finger Kit | \$ 16.80 kit |
| 41586 | Single Poly Finger | \$ 12.80 ea |
| 42200 | Guide Kit with Hardware | \$ 7 ea |
| 22407 | Guide Only | \$ 4 ea |

FOR Case IH 2062 /2052 /2042 Series



FOR NEW HOLLAND 740CF /760CG /790CP /880CF /840CD SERIES - 10 1/4" LONG

| PART NO | DESCRIPTION | RETAIL PRICE |
|---------|--------------------------------|---------------|
| 82128 | Poly Finger - 100 Fingers only | \$ 952 pk |
| 82129 | Poly Finger - 24 Fingers only | \$ 237.60 pk |
| 82130 | Poly Finger - 12 Pack Kit | \$ 157.60 kit |
| 82131 | Single Poly Finger Kit | \$ 14.40 kit |
| 41967 | Single Poly Finger | \$ 11.20 ea |
| 42200 | Guide Kit with Hardware | \$ 7 ea |
| 22407 | Guide Only | \$ 4 ea |

FOR New Holland 740CF /760CG / 790CP /880CF /840CD SERIES



FOR NEW HOLLAND 74C SERIES - 10 5/8" LONG

| PART NO | DESCRIPTION | RETAIL PRICE |
|---------|--------------------------------|---------------|
| 82484 | Poly Finger - 100 Fingers only | \$ 952 pk |
| 82483 | Poly Finger - 24 Fingers only | \$ 237.60 pk |
| 82482 | Poly Finger - 12 Pack Kit | \$ 157.60 kit |
| 82481 | Single Poly Finger Kit | \$ 14.40 kit |
| 41488 | Single Poly Finger | \$ 11.20 ea |
| 42200 | Guide Kit with Hardware | \$ 7 ea |
| 22407 | Guide Only | \$ 4 ea |

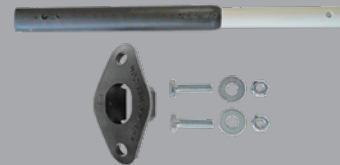
FOR New Holland 74C SERIES Serial #PNL01781 & Later



FOR NEW HOLLAND 74C /73C SERIES - 10 5/8" LONG

| PART NO | DESCRIPTION | RETAIL PRICE |
|---------|--------------------------------|---------------|
| 82484 | Poly Finger - 100 Fingers only | \$ 952 pk |
| 82483 | Poly Finger - 24 Fingers only | \$ 237.60 pk |
| 83469 | Poly Finger - 12 Pack Kit | \$ 157.60 kit |
| 83468 | Single Poly Finger Kit | \$ 14.40 kit |
| 41488 | Single Poly Finger | \$ 11.20 ea |
| 40274 | Guide Kit with Hardware | \$ 7 ea |
| 21018 | Guide Only | \$ 4 ea |

FOR New Holland 74C /73C SERIES Before Serial #PNL01781



FOR NEW HOLLAND 86C /83C /82C SERIES - 9 1/8" LONG

| PART NO | DESCRIPTION | RETAIL PRICE |
|---------|--------------------------------|---------------|
| 81369 | Poly Finger - 100 Fingers only | \$ 952 pk |
| 81988 | Poly Finger - 24 Fingers only | \$ 237.60 pk |
| 80645 | Poly Finger - 12 Pack Kit | \$ 157.60 kit |
| 80646 | Single Poly Finger Kit | \$ 14.40 kit |
| 40601 | Single Poly Finger | \$ 11.20 ea |
| 42200 | Guide Kit with Hardware | \$ 7 ea |
| 22407 | Guide Only | \$ 4 ea |

FOR New Holland 86C /83C /82C SERIES



RETRACTABLE POLY FINGERS FOR GRAIN HEADS

FOR NEW HOLLAND 84C SERIES - 7 7/16" LONG

| PART NO | DESCRIPTION | RETAIL PRICE |
|---------|--------------------------------|---------------|
| 82618 | Poly Finger - 100 Fingers only | \$ 1124.80 pk |
| 82617 | Poly Finger - 24 Fingers only | \$ 277.60 pk |
| 82616 | Poly Finger - 12 Pack Kit | \$ 177.60 kit |
| 82615 | Single Poly Finger Kit | \$ 16.80 kit |
| 41586 | Single Poly Finger | \$ 12.80 ea |
| 42200 | Guide Kit with Hardware | \$ 7 ea |
| 22407 | Guide Only | \$ 4 ea |

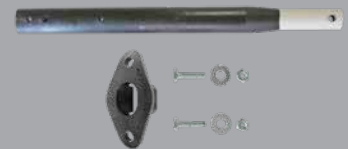
FOR New Holland 84C SERIES



FOR NEW HOLLAND 973 / 972 / 971 SERIES - 10 1/4" LONG

| PART NO | DESCRIPTION | RETAIL PRICE |
|---------|--------------------------------|---------------|
| 81367 | Poly Finger - 100 Fingers only | \$ 952 pk |
| 81364 | Poly Finger - 24 Fingers only | \$ 237.60 pk |
| 81935 | Poly Finger - 12 Pack Kit | \$ 157.60 kit |
| 81366 | Single Poly Finger Kit | \$ 14.40 kit |
| 40822 | Single Poly Finger | \$ 11.20 ea |
| 40274 | Guide Kit with Hardware | \$ 7 ea |
| 21018 | Guide Only | \$ 4 ea |

FOR New Holland
973 / 972 / 971 Series



FOR JOHN DEERE 600FD / 600D / 700FD / 700D / RDF SERIES - 10 5/8" LONG

| PART NO | DESCRIPTION | RETAIL PRICE |
|---------|--------------------------------|---------------|
| 83524 | Poly Finger - 100 Fingers only | \$ 952 pk |
| 83525 | Poly Finger - 24 Fingers only | \$ 237.60 pk |
| 83526 | Poly Finger - 12 Pack Kit | \$ 157.60 kit |
| 83527 | Single Poly Finger Kit | \$ 14.40 kit |
| 42107 | Single Poly Finger | \$ 11.20 ea |
| 42116 | Guide Kit with Hardware | \$ 6.40 ea |
| 21018 | Guide Only | \$ 4 ea |

FOR John Deere
600FD / 600D / 700FD / 700D / RDF Series



FOR JOHN DEERE 600F / 600R / 600P SERIES - 11 1/4" LONG

| PART NO | DESCRIPTION | RETAIL PRICE |
|---------|--------------------------------|---------------|
| 82478 | Poly Finger - 100 Fingers only | \$ 952 pk |
| 82477 | Poly Finger - 24 Fingers only | \$ 237.60 pk |
| 82476 | Poly Finger - 12 Pack Kit | \$ 157.60 kit |
| 82475 | Single Poly Finger Kit | \$ 14.40 kit |
| 41489 | Single Poly Finger | \$ 11.20 ea |
| 40603 | Guide Kit with Hardware | \$ 6.40 ea |
| 21018 | Guide Only | \$ 4 ea |

FOR John Deere
600F / 600R / 600P Series



FOR JOHN DEERE 200 / 900 SERIES - 10 1/4" LONG

| PART NO | DESCRIPTION | RETAIL PRICE |
|---------|--------------------------------|---------------|
| 81363 | Poly Finger - 100 Fingers only | \$ 952 pk |
| 81990 | Poly Finger - 24 Fingers only | \$ 237.60 pk |
| 80649 | Poly Finger - 12 Pack Kit | \$ 157.60 kit |
| 80650 | Single Poly Finger Kit | \$ 14.40 kit |
| 40600 | Single Poly Finger | \$ 11.20 ea |
| 40685 | Finger Hardware Kit | \$ 4 ea |
| 40603 | Guide Kit with Hardware | \$ 6.40 ea |
| 21018 | Guide Only | \$ 4 ea |

FOR John Deere
200 / 900 Series



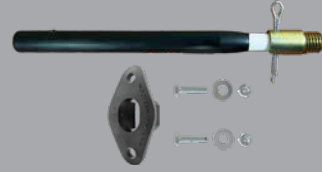
GRAIN HEAD PARTS

RETRACTABLE POLY FINGERS FOR GRAIN HEADS

FOR LEXION V525 / V530 / V535 / V540 / V750 / V900 / F25 / F30 / F525 / F530 / F750 / F900 / G30 / G525 - 9 5/8" LONG

| PART NO | DESCRIPTION | RETAIL PRICE |
|---------|--------------------------------|---------------|
| 81369 | Poly Finger - 100 Fingers only | \$ 952 pk |
| 81988 | Poly Finger - 24 Fingers only | \$ 237.60 pk |
| 83471 | Poly Finger - 12 Pack Kit | \$ 157.60 kit |
| 83472 | Single Poly Finger Kit | \$ 14.40 kit |
| 40601 | Single Poly Finger | \$ 11.20 ea |
| 40274 | Guide Kit with Hardware | \$ 7 ea |
| 21018 | Guide Only | \$ 4 ea |

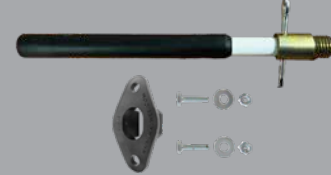
FOR Lexion V525 / V530 / V535 / V540 / V750 / V900 / F25 / F30 / F525 / F530 / F750 / F900 / G30 / G525



FOR LEXION V1050 / V1200 / F535 / F540 / G535 / G540 - 10 7/8" LONG

| PART NO | DESCRIPTION | RETAIL PRICE |
|---------|--------------------------------|---------------|
| 83671 | Poly Finger - 100 Fingers only | \$ 952 pk |
| 83670 | Poly Finger - 24 Fingers only | \$ 237.60 pk |
| 82924 | Poly Finger - 12 Pack Kit | \$ 157.60 kit |
| 82925 | Single Poly Finger Kit | \$ 14.40 kit |
| 42291 | Single Poly Finger | \$ 11.20 ea |
| 40274 | Guide Kit with Hardware | \$ 7 ea |
| 21018 | Guide Only | \$ 4 ea |

FOR Lexion V1050 / V1200 / F535 / F540 / G535 / G540



FOR GLEANER / MASSEY 700 / 800 / 7000 / 7200 / 8000 / 8200 & CHALLENGER FH / FHB - 10 15/16" LONG

| PART NO | DESCRIPTION | RETAIL PRICE |
|---------|--------------------------------|---------------|
| 83671 | Poly Finger - 100 Fingers only | \$ 952 pk |
| 83670 | Poly Finger - 24 Fingers only | \$ 237.60 pk |
| 82621 | Poly Finger - 12 Pack Kit | \$ 157.60 kit |
| 82620 | Single Poly Finger Kit | \$ 14.40 kit |
| 42291 | Single Poly Finger | \$ 11.20 ea |
| 22174 | Guide Only | \$ 4 ea |
| 41602 | Adapter Clip Kit | \$ 11.20 ea |

FOR Gleaner / Massey 700 / 800 / 7000 / 7200 / 8000 / 8200 & Challenger FH / FHB



FOR GLEANER / MASSEY 7000 / 7200 / 8000 / 8200 & CHALLENGER FH / FHB - 11 7/16" LONG

| PART NO | DESCRIPTION | RETAIL PRICE |
|---------|--------------------------------|---------------|
| 82623 | Poly Finger - 100 Fingers only | \$ 952 pk |
| 82622 | Poly Finger - 24 Fingers only | \$ 237.60 pk |
| 83440 | Poly Finger - 12 Pack Kit | \$ 157.60 kit |
| 83439 | Single Poly Finger Kit | \$ 14.40 kit |
| 42235 | Single Poly Finger | \$ 11.20 ea |
| 22174 | Guide Only | \$ 4 ea |
| 41998 | Adapter Clip Kit | \$ 8 ea |

FOR Gleaner / Massey 7000 / 7200 / 8000 / 8200 & Challenger FH / FHB



FOR MACDON 872 / 873 COMBINE ADAPTER (with 11" AUGER DRUM) - 7 7/16" LONG

| PART NO | DESCRIPTION | RETAIL PRICE |
|---------|--------------------------------|---------------|
| 82618 | Poly Finger - 100 Fingers only | \$ 1124.80 pk |
| 82617 | Poly Finger - 24 Fingers only | \$ 277.60 pk |
| 82616 | Poly Finger - 12 Pack Kit | \$ 177.60 kit |
| 82615 | Single Poly Finger Kit | \$ 16.80 kit |
| 41586 | Single Poly Finger | \$ 12.80 ea |
| 42200 | Guide Kit with Hardware | \$ 7 ea |
| 22407 | Guide Only | \$ 4 ea |

FOR MACDON 872 / 873



RETRACTABLE POLY FINGERS FOR GRAIN HEADS

FOR MACDON 872 COMBINE ADAPTER (with 12" AUGER DRUM) - 8 3/16" LONG

| PART NO | DESCRIPTION | RETAIL PRICE |
|---------|--------------------------------|---------------|
| 83379 | Poly Finger - 100 Fingers only | \$ 1124.80 pk |
| 83380 | Poly Finger - 24 Fingers only | \$ 277.60 pk |
| 83381 | Poly Finger - 12 Pack Kit | \$ 177.60 kit |
| 83382 | Single Poly Finger Kit | \$ 16.80 kit |
| 41997 | Single Poly Finger | \$ 12.80 ea |
| 42200 | Guide Kit with Hardware | \$ 7 ea |
| 22407 | Guide Only | \$ 4 ea |



FOR MACDON FD1 (FM100 FLOAT MODULE) - 9 1/8" LONG

| PART NO | DESCRIPTION | RETAIL PRICE |
|---------|--------------------------------|---------------|
| 83832 | Poly Finger - 100 Fingers only | \$ 1124.80 pk |
| 83833 | Poly Finger - 24 Fingers only | \$ 277.60 pk |
| 83830 | Poly Finger - 12 Pack Kit | \$ 177.60 kit |
| 83831 | Single Poly Finger Kit | \$ 16.80 kit |
| 42466 | Single Poly Finger | \$ 12.80 ea |
| 42200 | Guide Kit with Hardware | \$ 7 ea |
| 22407 | Guide Only | \$ 4 ea |



FOR MACDON FD70 / FD75 (CA20 / CA25 COMBINE ADAPTER) - 9 1/8" LONG

| PART NO | DESCRIPTION | RETAIL PRICE |
|---------|--------------------------------|---------------|
| 81369 | Poly Finger - 100 Fingers only | \$ 952 pk |
| 81988 | Poly Finger - 24 Fingers only | \$ 237.60 pk |
| 80645 | Poly Finger - 12 Pack Kit | \$ 157.60 kit |
| 80646 | Single Poly Finger Kit | \$ 14.40 kit |
| 40601 | Single Poly Finger | \$ 11.20 ea |
| 42200 | Guide Kit with Hardware | \$ 7 ea |
| 22407 | Guide Only | \$ 4 ea |



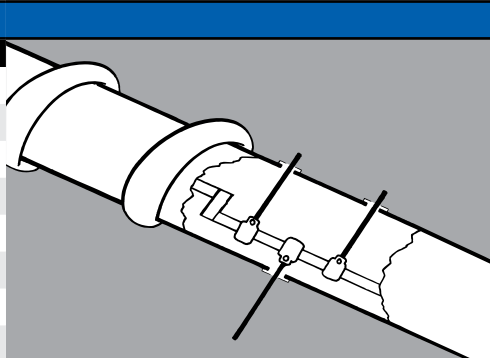
FOR CASE IH 2015 / 2016, MACDON PW7 / PW8, LEXION P514 / P516 / 450 SWATH UP PICKUP HEADS - 10 11/16" LONG

| PART NO | DESCRIPTION | RETAIL PRICE |
|---------|--------------------------------|---------------|
| 83629 | Poly Finger - 100 Fingers only | \$ 931.20 pk |
| 83628 | Poly Finger - 24 Fingers only | \$ 230.40 pk |
| 83627 | Poly Finger - 12 Pack Kit | \$ 157.60 kit |
| 83626 | Single Poly Finger Kit | \$ 14.40 kit |
| 42236 | Single Poly Finger | \$ 11.20 ea |
| 40274 | Guide Kit with Hardware | \$ 7 ea |
| 21018 | Guide Only | \$ 4 ea |



REPLACEMENT PARTS

| PART NO | DESCRIPTION | RETAIL PRICE |
|---------|---|--------------|
| 22174 | Gleaner / Massey Guide Only | \$ 4 ea |
| 21018 | Guide Only | \$ 4 ea |
| 22407 | Guide Only | \$ 4 ea |
| 22229 | Lexion - Threaded Metal Adapter | \$ 9.60 ea |
| 00957 | Lexion - Clip Only | \$ 2.40 ea |
| 22132 | Gleaner / Massey - Threaded Metal Adapter | \$ 8.80 ea |
| 21776 | Gleaner / Massey - Plastic Adapter | \$ 8 ea |
| 00957 | Gleaner / Massey - Clip Only | \$ 2.40 ea |



GRAIN HEAD PARTS

5-FINGER QUICK TINES, SNAP-ON TINES & QUICK FINGERS

Keep More Bushels In Your Machine With 5-Finger Quick Tines and Snap-On Tines

Easily slip over your existing finger attaching directly to the bar. Our unique, aggressive design helps feed short or specialty crops with ease. Great for growers experiencing severe drought.

- Attaches Directly Over Existing Mounted Finger
- No Tools Needed for Installation
- Strong, Heavy Duty Construction

INSTALLATION VIDEO

with Fast Ag Montana

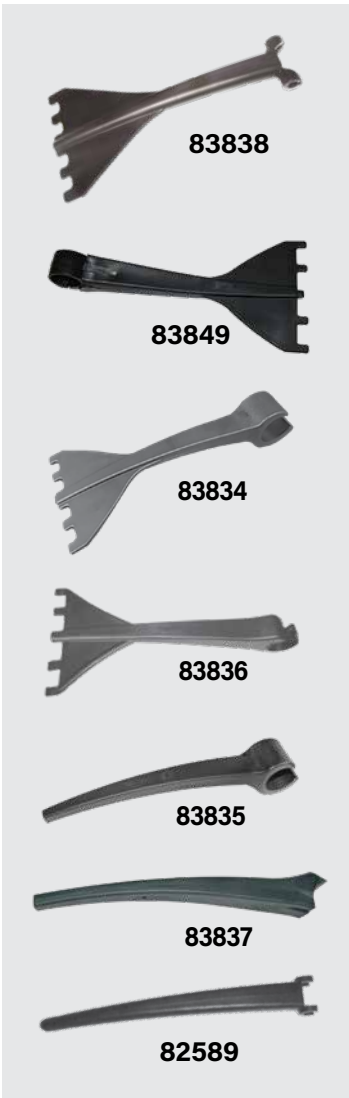
Scan the QR code with your phone to watch now.



5-FINGER QUICK TINE QTY RECOMMENDED

| | |
|---------------------------|---------------------------|
| 30' Heads need Qty of 105 | 40' Heads need Qty of 140 |
| 35' Heads need Qty of 125 | 45' Heads need Qty of 155 |

Based on 6" spacing and recommendation to replace every third tine. Offset placement on each consecutive bar.



5-FINGER QUICK TINES

| PART NO | DESCRIPTION | RETAIL PRICE |
|---------|---|--------------|
| 83838 | FOR Case IH 1010 /1020 /2010 /2020 /3020* - 10 pack | \$ 64.50 pk |
| 83849 | FOR Case IH 3162 /3152 - 10 pack Requires one (1) self-tapping screw to secure the finger to the reel tine (included). | \$ 82.50 pk |
| 83834 | FOR Case IH 2162 /2152 /2142 - 10 pack | \$ 82.50 pk |
| 83838 | FOR New Holland 971 /973 /71C /72C /73C /74C /92C /94C /740C* - 10 pack | \$ 64.50 pk |
| 83849 | FOR New Holland 840CD /880CF - 10 pack Requires one (1) self-tapping screw to secure the finger to the reel tine (included). | \$ 82.50 pk |
| 83834 | FOR New Holland 86C /83C /82C - 10 pack | \$ 82.50 pk |
| 83838 | FOR John Deere 900 /900F /900R /900D /600F /600R /600FD Before Serial Number 785000* - 10 Pack | \$ 64.50 pk |
| 83836 | FOR John Deere 630FD /635FD /640FD /645FD /730FD /735FD /740FD /745FD /After Serial Number 785000 - 10 Pack | \$ 82.50 pk |
| 83834 | FOR MacDon FD70 /FD75 /FD1 /FD2 - 10 pack | \$ 82.50 pk |
| 83838 | FOR AGCO/Gleaner 300 /400 /500 /700 /800 /8000 /8200 /9250* - 10 Pack | \$ 64.50 pk |
| 83838 | FOR Massey Ferguson 8000 /8200 /9250 /9700 /9750 /9800 /9850* - 10 Pack | \$ 64.50 pk |

*Note: 83838 does not fit on Polyline Reels.

SNAP-ON TINES

| PART NO | DESCRIPTION | RETAIL PRICE |
|---------|---|--------------|
| 83835 | FOR Case IH 2162 /2152 /2142 - 10 pack | \$ 77.50 pk |
| 83835 | FOR New Holland 86C /83C /82C - 10 pack | \$ 77.50 pk |
| 83837 | FOR John Deere 630FD /635FD /640FD /645FD /730FD /735FD /740FD /745FD /After Serial Number 785000 - 10 Pack | \$ 77.50 pk |
| 83835 | FOR MacDon FD70 /FD75 /FD1 - 10 pack | \$ 77.50 pk |

QUICK FINGERS

| PART NO | DESCRIPTION | RETAIL PRICE |
|---------|---|--------------|
| 82589 | Package of 10 Tines (8" Length) Fits the following: Case IH 1010 /1020 /2010 /2020 New Holland 971 /973 /71C /72C /73C /74C John Deere 900 /600 (Rigid & Flex) AGCO-Gleaner 300 /400 /500 /700 /800 Caterpillar 1998 & Later Massey Ferguson 9700 /9750 /9800 /9850 | \$ 27.50 pk |

POLY REEL TINES

| Level II Tines | ML Tines | Polytine Tines |
|---|---|---|
|  |  |  |
| Standard since 2000 | 1989-1999 | 1984-1989 |
| 1 3/8" Tube with 1/2" Hex Holes Spaced 6" Apart | 1 3/8" Tube with 2/5" Round Holes Spaced 4 1/2" Apart | Tines Fit Into Notches and Fastened to the Back |

EASY REPLACEMENT TINES

Poly Reel Tines Replace OEM Tines
Durable Poly = Greater Strength at a Lower Weight

| LEVEL II TINES - 6" SPACING | | |
|-----------------------------|------------------------|--------------|
| PART NO | DESCRIPTION | RETAIL PRICE |
| 83617 | Full Bat - 130 Pack | \$ 536 pk |
| 83616 | Full Bat - 10 Pack | \$ 47 pk |
| 83615 | Full Bat - Single Tine | \$ 5 ea |
| 83619 | LH Bat - 10 Pack | \$ 44 pk |
| 83618 | LH Bat - Single Tine | \$ 5 ea |
| 83621 | RH Bat - 10 Pack | \$ 44 pk |
| 83620 | RH Bat - Single Tine | \$ 5 ea |
| 83623 | No Bat - 10 Pack | \$ 44 pk |
| 83622 | No Bat - Single Tine | \$ 5 ea |

| ML TINES - 4 1/2" SPACING | | |
|---------------------------|------------------------|--------------|
| PART NO | DESCRIPTION | RETAIL PRICE |
| 83608 | Full Bat - 180 Pack | \$ 577 pk |
| 83607 | Full Bat - 10 Pack | \$ 38 pk |
| 83606 | Full Bat - Single Tine | \$ 5 ea |
| 83612 | LH Bat - 6 Pack | \$ 23 pk |
| 83611 | LH Bat - Single Tine | \$ 5 ea |
| 83610 | RH Bat - 6 Pack | \$ 23 pk |
| 83609 | RH Bat - Single Tine | \$ 3.25 ea |
| 83614 | No Bat - 6 Pack | \$ 27 pk |
| 83613 | No Bat - Single Tine | \$ 5 ea |



| POLYTINE TINES - 4 1/2" SPACING | | |
|---------------------------------|-------------|--------------|
| PART NO | DESCRIPTION | RETAIL PRICE |
| 83603 | 10 Pack | \$ 34 pk |

PADDLE TINES

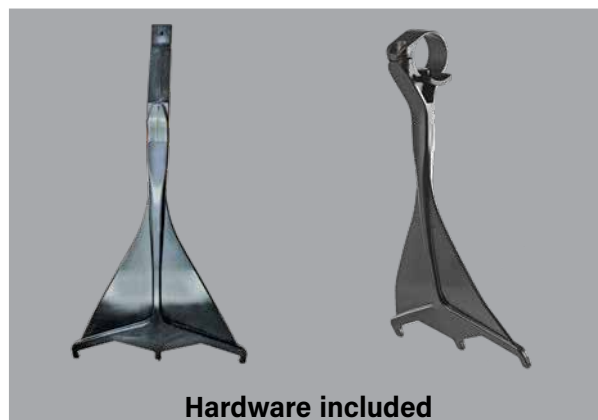
HIGH PERFORMANCE TINES FOR SHORT OR SPARSE CROPS

Improved Feeding - Cleaner Cutterbar - Faster Harvesting

- 6" paddle width lifts and feeds crop that standard tines miss
- Full crop contact results in consistent feeding into the header
- Fast and easy installation

| PART NO | DESCRIPTION | QTY | RETAIL PRICE |
|---------|---|---|--------------|
| 82905 | Paddle Tine Level II Reel 1999 & Newer 6" Spacing |  Pkg of 10 | \$ 124 pk |
| 82906 | Paddle Tine ML Reel 1989 to 1999 4 1/2" Spacing |  Pkg of 10 | \$ 124 pk |
| 82907 | Paddle Tine Polytine Reel 1984 to 1989 Teardrop | Pkg of 10 | \$ 124 pk |

| Original Tine Spacing | REEL WIDTH | | | | |
|-----------------------|------------|-----|-----|-----|-----|
| | 18' | 20' | 25' | 30' | 36' |
| 4 1/2" | 73 | 80 | 98 | 115 | 136 |
| 6" | 63 | 70 | 88 | 105 | 126 |



CROP DIVIDERS



| PART NO | DESCRIPTION | RETAIL PRICE |
|---------|---|--------------|
| 83843 | Crop Divider for Case IH 1020 with Rods | \$ 218 pr |
| 83841 | Crop Divider for John Deere with Rods 900F / 600F / 600D / 600FD | \$ 218 pr |

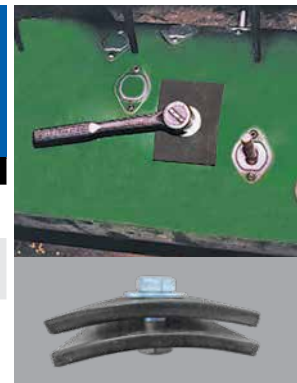
Replacement Parts

| PART NO | DESCRIPTION | RETAIL PRICE |
|---------|------------------------|--------------|
| 42432 | Replacement Marker Rod | \$ 20 ea |

TRU-TUBE® AUGER STRAIGHTENER

**Straightens Damaged Auger Tubes
FITS EASILY IN YOUR TOOLBOX**

| PART NO | DESCRIPTION | RETAIL PRICE |
|---------|---|--------------|
| 81992 | Tru-Tube for 12" Auger | \$ 66 ea |
| 81993 | Tru-Tube for 14" Auger (Case IH) | \$ 66 ea |
| 81994 | Tru-Tube for 16" Auger (John Deere 200/900 and Gleaner) | \$ 66 ea |



POLY TIN REPLACEMENT SHIELD FOR CASE IH 1020

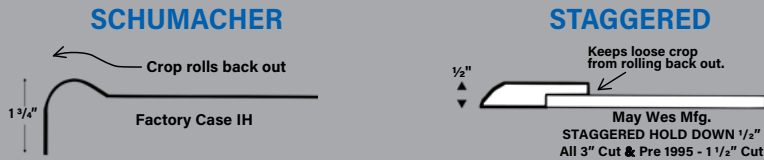


- Poly Replacement is 50% Lighter than Original OEM
- Available for Head Widths Ranging from 15' to 30'
- Kits Include:
All Replacement Panels for Head Width, Rivets, Bushings, Straps, Spacer Tool & Instructions

Completely Replace the Metal Case IH 1020 Shield with Poly Tin Replacement Shields for Maximum Efficiency

Available for Multiple Cutterbar Systems

Not available for newer Schumacher system with rollers on guides.



COMPLETE KITS

| DESCRIPTION | SIZE | PART NO STAGGERED | PART NO SCHUMACHER | RETAIL PRICE |
|-------------|---------|-------------------|--------------------|--------------|
| 1020 | 30' | 80521 | 82027 | \$ 2011 kits |
| 1020 | 25' | 80520 | 82026 | \$ 1904 kits |
| 1020 | 22 1/2' | 80519 | 82025 | \$ 1560 kits |
| 1020 | 20' | 80517 | 82024 | \$ 1539 kits |
| 1020 | 17 1/2' | 80515 | 82023 | \$ 1316 kits |
| 1020 | 16 1/2' | 80514 | 82022 | \$ 1268 kits |
| 1020 | 15' | 80513 | 82021 | \$ 1189 kits |

Fits 16 1/2' Heads Only

| SIZE | PART NO STAGGERED | PART NO SCHUMACHER | RETAIL PRICE |
|------------|-------------------|--------------------|--------------|
| 38" Center | 40954 | 40971 | \$ 219 ea |
| 37" Left | 40951 | 40968 | \$ 233 ea |
| 37" Right | 40950 | 40967 | \$ 233 ea |

REPLACEMENT PARTS - CENTER, LEFT & RIGHT Fits 15', 20', 22 1/2', 25' & 30' Heads

| SIZE | PART NO STAGGERED | PART NO SCHUMACHER | RETAIL PRICE |
|------------|-------------------|--------------------|--------------|
| 38" Center | 40469 | 40977 | \$ 281 ea |
| 37" Left | 40468 | 40976 | \$ 253 ea |
| 37" Right | 40467 | 40975 | \$ 253 ea |
| 25" Left | 40466 | 40974 | \$ 253 ea |
| 25" Right | 40465 | 40973 | \$ 253 ea |

Fits 17 1/2' Heads Only

| SIZE | PART NO STAGGERED | PART NO SCHUMACHER | RETAIL PRICE |
|------------|-------------------|--------------------|--------------|
| 38" Center | 40955 | 40972 | \$ 219 ea |
| 37" Left | 40953 | 40970 | \$ 233 ea |
| 37" Right | 40952 | 40969 | \$ 233 ea |
| 25" Right | 40949 | 40966 | \$ 145 ea |

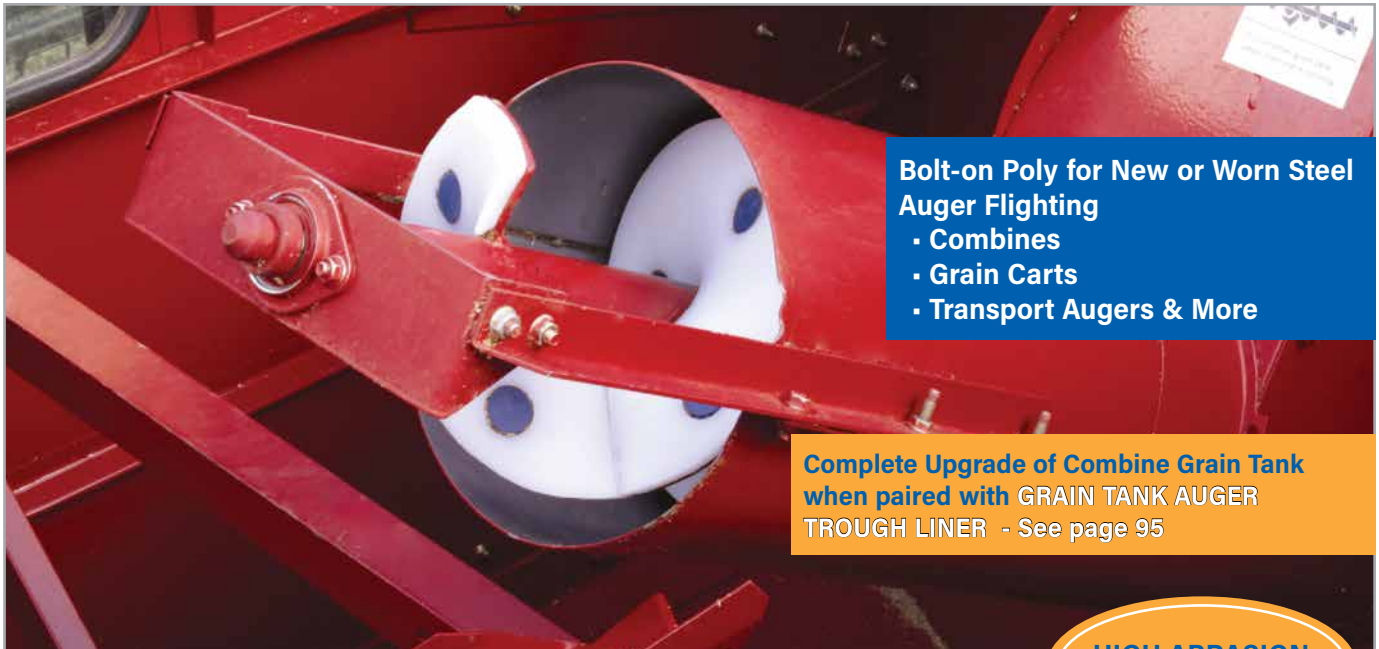
REPLACEMENT PARTS - END PANELS

| SIZE | PART NO: STAGGERED | | PART NO: SCHUMACHER | | RETAIL PRICE |
|-----------|--------------------|-------|---------------------|-------|--------------|
| | LEFT | RIGHT | LEFT | RIGHT | |
| 15' / 30' | 40483 | 40487 | 40982 | 40989 | \$ 253 ea |
| 16 1/2' | 40482 | 40486 | 40978 | 40985 | \$ 322 ea |
| 17 1/2' | 40945 | 40485 | 40964 | 40983 | \$ 322 ea |
| 20' | 40946 | 40484 | 40965 | 40984 | \$ 322 ea |
| 22 1/2' | 40489 | 40488 | 40980 | 40987 | \$ 322 ea |
| 25' | 40934 | 40933 | 40981 | 40988 | \$ 253 ea |

TRAILING EDGES

| PART NO | SIZE | RETAIL PRICE |
|---------|-----------------------|--------------|
| 41126 | 46 1/2" | \$ 53 ea |
| 41127 | 43 1/2" | \$ 74 ea |
| 41128 | 40 1/2" | \$ 45 ea |
| 41129 | 35 3/4" for 37" & 38" | \$ 41 ea |
| 41130 | 34 1/2" | \$ 41 ea |
| 41131 | 28 1/2" | \$ 35 ea |
| 41132 | 23 3/4" for 25" | \$ 34 ea |

AUGER WEARSHOES



Bolt-on Poly for New or Worn Steel Auger Flighting

- Combines
- Grain Carts
- Transport Augers & More

Complete Upgrade of Combine Grain Tank when paired with GRAIN TANK AUGER TROUGH LINER - See page 95

HIGH ABRASION RESISTANCE

PROTECT METAL AGAINST WEAR & CORROSION



Typical applications include combines, grain carts, transport augers, grain bin augers and grain handling systems - wherever high volume and wear are issues.

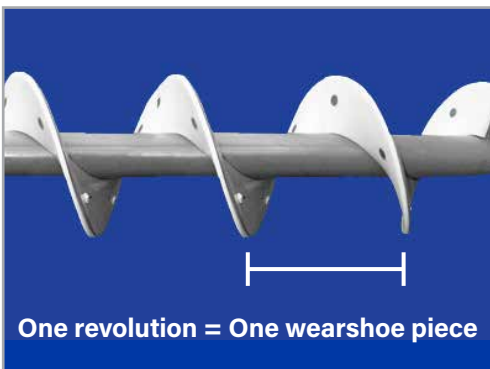
A size to fit all

Available in different diameters, pitches and thicknesses to fit most common augers. They are pre-formed and predrilled for easy installation. They join together using a patented bevel lap joint and are bolted to the auger with special UHMW-capped bolts which are counter sunk for a smooth surface.

Smooth even flow of grain

Smooth poly provides a slick surface for grain to flow freely, reducing grain cracking, bunching and build up. The result: faster auger speeds and improved harvesting rates.

AUGER WEARSHOES



One revolution = One wearshoe piece

QUESTIONS?

Watch our video on how to order and install auger wearshoes.

Scan the code with your smartphone to watch on YouTube.



AUGER WEARSHOES - CUSTOM APPLICATION

SOLD PER PITCH

NOT FINDING YOUR WEARSHOE SIZE?

CUSTOM ORDERS WELCOMED

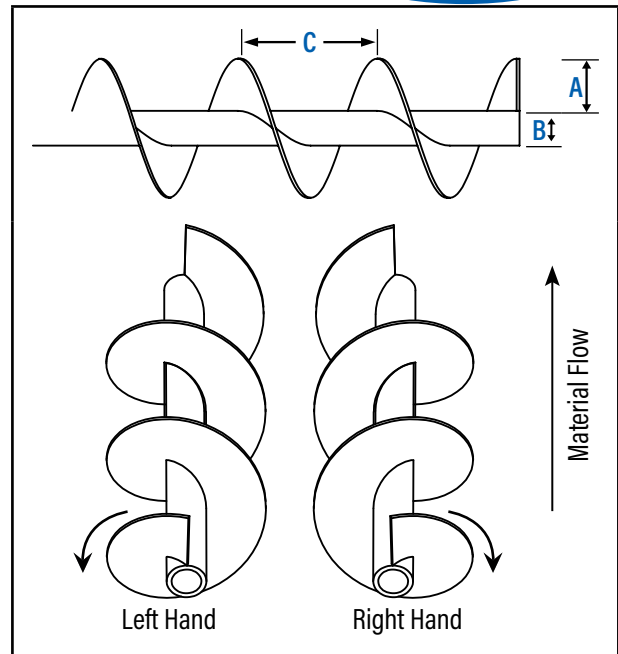
Wearshoe Ordering Information

When ordering for combines or grain carts, we will need to know the following information:

- Model Year
 - Brand
 - Model Number
 - Type of Auger you want to cover
- (Example: 1992 John Deere 9600 Tank Fill Auger)

If it is an auger size we don't have listed, we can identify the right parts with the measurements listed below:

- 1. Flight Height**
Reference Measurement A
Note: Flight Height x 2 + Center Tube Diameter= Flighting Diameter
- 2. Outside Diameter of Center Shaft/Tube**
Reference Measurement B
- 3. Pitch** (Space Between Flights)
Reference Measurement C
Note: When measuring pitch, be sure to keep the tape measure parallel with the center shaft/tube.
- 4. Left Hand or Right Hand**
Reference graphic on right to determine if you have a left hand or right hand auger.



PLEASE BE ACCURATE WITH YOUR WEARSHOE ORDERING INFORMATION

A 25% RESTOCKING FEE IS CHARGED FOR ALL RETURNS ON OUR STOCK SIZES.

NO RETURNS ACCEPTED ON CUSTOM-MADE ORDERS



REPLACEMENT HARDWARE

| PART NO | DESCRIPTION | SIZE | RETAIL PRICE |
|---------|---------------------------|---------------|--------------|
| 41358 | Poly-Capped Bolts | 1/4" x 1" | \$ 2.30 ea |
| 41237 | Poly-Capped Bolts | 1/4" x 1 1/2" | \$ 2.30 ea |
| 00929 | *Stainless Steel Hex Bolt | - | \$ 0.25 ea |
| 01093 | Zinc Coated Hex Nut | 1/4" | \$ 0.12 ea |

*For Lead Edge of Auger
All Auger Wearshoes include Poly Capped Bolts unless otherwise noted.

Auger dimensions will vary between models and years. Always measure for an accurate fit. Call for pricing if you don't see your exact size.

3/8" THICK UHMW WEARSHOE (Per Pitch)

Requires 3 Bolts per Pitch (Included)

| PART NO | DESCRIPTION | RETAIL PRICE |
|---------|---|--------------|
| 41318 | 6" Diameter <i>Includes Stainless Steel Hex Bolts</i> | \$ 15 ea |
| 41319 | 7" Diameter | \$ 20 ea |
| 41320 | 8" Diameter | \$ 33 ea |
| 41321 | 9" Diameter | \$ 38 ea |

Requires 4 Bolts per Pitch (Included)

| PART NO | DESCRIPTION | RETAIL PRICE |
|---------|--------------|--------------|
| 41322 | 10" Diameter | \$ 44 ea |
| 41323 | 11" Diameter | \$ 47 ea |
| 41324 | 12" Diameter | \$ 50 ea |
| 41325 | 13" Diameter | \$ 54 ea |
| 41326 | 14" Diameter | \$ 58 ea |
| 41327 | 15" Diameter | \$ 62 ea |
| 41328 | 16" Diameter | \$ 67 ea |
| 41329 | 17" Diameter | \$ 72 ea |

Requires 5 Bolts per Pitch (Included)

| PART NO | DESCRIPTION | RETAIL PRICE |
|---------|--------------|--------------|
| 41330 | 18" Diameter | \$ 77 ea |
| 41331 | 19" Diameter | \$ 83 ea |
| 41332 | 20" Diameter | \$ 89 ea |
| 41333 | 21" Diameter | \$ 95 ea |
| 41334 | 22" Diameter | \$ 101 ea |
| 41335 | 23" Diameter | \$ 108 ea |
| 41336 | 24" Diameter | \$ 116 ea |

Note: Diameters 1/2" and over are priced at the next level.
Example: 9 9/16" = \$44

AUGER WEARSHOES - HARDWARE INCLUDED

| FOR CASE IH - 3/8" THICK (PER PITCH) | | | | | | | | |
|--|----------------------------|----------------|----------------|---------------|---------|------------------------|------------|------------------------|
| MODEL | AUGER | TOTAL DIAMETER | SHAFT DIAMETER | PITCH | LH / RH | PIECES PER WHOLE AUGER | PART NO | RETAIL PRICE PER PITCH |
| 9230 / 8230 7230 / 7240 7250 / 8250 9250 | Tank Fill/Bubble Up | 12" | 3" | 9 1/2" | LH | 7 pcs | 41873 | \$ 50 ea |
| | Vertical Unload | 14 1/2" | 4 1/2" | 11" | LH | 6 pcs | 41872 | \$ 62 ea |
| | Hi-Capacity Vert. Unload | 15 1/2" | 4 1/2" | 11" | LH | 6 pcs | 42460 | \$ 65 ea |
| | Horizontal Unload | 12 1/2" | 4 1/2" | 16" | LH | 14 pcs | 42263 | \$ 54 ea |
| | Hi-Capacity Hori. Unload | 14" | 4 1/2" | 14 1/4" | LH | 19 pcs | 43199 | \$ 58 ea |
| | Tank Cross | 8" | 2 3/8" | 9" | LH | 11 pcs | 42269 (LH) | \$ 33 ea |
| | | 8" | 2 3/8" | 9" | RH | 11 pcs | 42268 (RH) | \$ 33 ea |
| | Hi-Capacity Tank Cross | 9 1/2" | 2 1/2" | 10 1/4" | LH | 10 pcs | 43087 (LH) | \$ 44 ea |
| | 9 1/2" | 2 1/2" | 10 1/4" | RH | 10 pcs | 43086 (RH) | \$ 44 ea | |
| 7088 / 6088 5088 | Tank Fill-High Capacity | 11 1/4" | 3" | 8 1/2" | LH | 7 pcs | 41868 | \$ 49 ea |
| | Vertical Unload | 14 1/2" | 4 1/2" | 11" | LH | 6 pcs | 41872 | \$ 62 ea |
| | Horizontal Unload | 12 1/2" | 4 1/2" | 16" | LH | 14 pcs | 42263 | \$ 54 ea |
| 8010 / 7010 9120 / 8120 7120 | Tank Fill/Bubble Up | 12" | 3" | 9 1/2" | LH | 7 pcs | 41873 | \$ 50 ea |
| | Vertical Unload | 14 1/2" | 4 1/2" | 11" | LH | 6 pcs | 41872 | \$ 62 ea |
| | Horizontal Unload | 12 1/2" | 4 1/2" | 16" | LH | 14 pcs | 42263 | \$ 54 ea |
| | Tank Cross | 8" | 2 3/8" | 9" | LH | 11 pcs | 42269 (LH) | \$ 33 ea |
| | | 8" | 2 3/8" | 9" | RH | 11 pcs | 42268 (RH) | \$ 33 ea |
| 2588 / 2577 2377 / 2388 2188 / 1688 1680 | Tank Fill/Bubble Up | 9 7/8" | 1 7/8" | 7 3/4" | LH | 5 pcs | 41373 | \$ 44 ea |
| | Horizontal Unload | 11 1/2" | 3" | Specify | RH | - | 41370 | \$ 49 ea |
| | Vertical Unload | 12" | 3" | 8 3/4" | RH | 6 pcs | 41371 | \$ 50 ea |
| | Lower Clean Grain | 8" | 1 3/8" | 8" | RH | 8 pcs | 41467 | \$ 38 ea |
| | Tank Cross | 7 1/4" | 1 1/2" | 7 1/8" | LH | 11 pcs | 41871 (LH) | \$ 20 ea |
| | | 7 1/4" | 1 1/2" | 7 1/8" | RH | 1 pc | 41870 (RH) | \$ 20 ea |
| 2366 / 2344 2166 / 2144 1666 / 1660 1644 / 1640 | Tank Fill/Bubble Up | 9 7/8" | 1 7/8" | 7 3/4" | LH | 5 pcs | 41373 | \$ 44 ea |
| | Horizontal Tank Fill | 8 5/8" | 1 5/8" | 9" | LH | 3 pcs | 41374 | \$ 37 ea |
| | Horizontal Unload | 11 1/2" | 3" | Specify | RH | - | 41370 | \$ 49 ea |
| | Vertical Unload | 12" | 3" | 8 3/4" | RH | 6 pcs | 41371 | \$ 50 ea |
| | Lower Clean Grain | 7" | 1 1/4" | 7 3/4" | RH | - | 41869 | \$ 20 ea |
| | Tank Cross | 7 1/4" | 1 1/2" | 7 1/8" | LH | 11 pcs | 41871 (LH) | \$ 20 ea |
| | | 7 1/4" | 1 1/2" | 7 1/8" | RH | 1 pc | 41870 (RH) | \$ 20 ea |
| 1480 | Horiz. Tank Fill-Old Style | 7 5/8" | 1 5/8" | 7 1/2" | LH | 3 pcs | 41382 | \$ 33 ea |
| | Horizontal Tank Fill | 8 5/8" | 1 5/8" | 9" | LH | 3 pcs | 41374 | \$ 37 ea |
| | Horizontal Unload | 11 1/2" | 3" | Specify | RH | - | 41370 | \$ 49 ea |
| | Vertical Unload | 12" | 3" | 8 3/4" | RH | 6 pcs | 41371 | \$ 50 ea |
| | Tank Cross | 7 1/4" | 1 1/2" | 7 1/8" | LH | 11 pcs | 41871 (LH) | \$ 20 ea |
| | | 7 1/4" | 1 1/2" | 7 1/8" | RH | 1 pc | 41870 (RH) | \$ 20 ea |
| 1460 / 1440 | Horizontal Tank Fill | 7 5/8" | 1 5/8" | 7 1/2" | LH | 3 pcs | 41382 | \$ 33 ea |
| | Horizontal Unload | 11 1/2" | 3" | Varies 11-14" | RH | - | 41370 | \$ 49 ea |
| | Vertical Unload | 12" | 3" | 8 3/4" | RH | 6 pcs | 41371 | \$ 50 ea |
| | Tank Cross | 7 1/4" | 1 1/2" | 7 1/8" | LH | 11 pcs | 41871 (LH) | \$ 20 ea |
| | | 7 1/4" | 1 1/2" | 7 1/8" | RH | 1 pc | 41870 (RH) | \$ 20 ea |
| FOR NEW HOLLAND - 3/8" THICK (PER PITCH) | | | | | | | | |
| MODEL | AUGER | TOTAL DIAMETER | SHAFT DIAMETER | PITCH | LH / RH | PIECES PER WHOLE AUGER | PART NO | RETAIL PRICE PER PITCH |
| CR9080 / CR9070 CR9060 / CR9040 CR970 / CR960 CR940 / CR920 | Tank Fill/Bubble Up | 11" | 1 7/8" | 8 1/4" | LH | 8 pcs | 42110 | \$ 47 ea |
| | Vertical Unload | 14" | 4 1/2" | 11" | LH | 6 pcs | 41872 | \$ 62 ea |
| | Horizontal Unload | 12 1/2" | 4 1/2" | 16" | LH | 14 pcs | 42263 | \$ 54 ea |
| | Tank Cross | 8" | 2 3/8" | 9" | LH | 11 pcs | 42269 (LH) | \$ 33 ea |
| | | 8" | 2 3/8" | 9" | RH | 11 pcs | 42268 (RH) | \$ 33 ea |

AUGER WEARSHOES

IN STOCK Ready to Ship
HIGHLIGHTED KITS ARE IN STOCK AND READY TO SHIP

Auger dimensions vary between models and years. Always measure for an accurate fit. Please call for pricing if you don't see your exact size.

AUGER WEARSHOES - HARDWARE INCLUDED

| FOR JOHN DEERE - 3/8" THICK (PER PITCH) | | | | | | | | |
|--|---------------------------------|----------------|----------------|---------|-----------|------------------------|----------|------------------------|
| MODEL | AUGER | TOTAL DIAMETER | SHAFT DIAMETER | PITCH | LH / RH | PIECES PER WHOLE AUGER | PART NO | RETAIL PRICE PER PITCH |
| X9 | Tank Fill/Bubble Up | 11 3/4" | 2 1/2" | 12 1/4" | LH (Tilt) | 9 pcs | 43089 | \$ 50 ea |
| | Tank Fill/Bubble Up | 11" | 2 1/2" | 10 3/4" | RH | 7 pcs* | 41880 | \$ 47 ea |
| <i>*S680, S690, S780 and S790 require 8 pcs.</i> | | | | | | | | |
| S790 /S780 S690 /S680 /S670 9870 /9770 | Horizontal Unload (1st Sec.) | 15" | 2 7/8" | 16" | LH | 6 pcs | 41883 | \$ 62 ea |
| | Horizontal Unload (2nd Sec.) | 15" | 3 1/2" | 17" | LH | - | 41884 | \$ 60 ea |
| | Vertical Unload | 15 3/4" | 4 1/2" | 10 1/4" | LH | 5 pcs | 41885 | \$ 67 ea |
| | Lower Clean Grain (S790 /S690) | 10 1/2" | 2 1/4" | 10 1/2" | RH | 7 pcs | 43091 | \$ 47 ea |
| | Lower Clean Grain | 9 3/4" | 2 1/4" | 9" | RH | - | 41886 | \$ 44 ea |
| | Tank Cross | 9 1/2" | 2" | 11" | RH | 7 pcs | 41887 | \$ 44 ea |
| | Tank Cross | 9 1/2" | 2" | 11" | LH | 9 pcs | 41887 | \$ 44 ea |
| S660 /9670 | Tank Fill/Bubble Up | 10" | 2 1/2" | 9 1/2" | RH | 8 pcs | 41426 | \$ 44 ea |
| | Vertical Unload | 15 3/4" | 4 1/2" | 10 1/4" | LH | 5 pcs | 41885 | \$ 67 ea |
| | Horizontal Unload (1st Sec.) | 15" | 2 7/8" | 16" | LH | 6 pcs | 41883 | \$ 62 ea |
| | Horizontal Unload (2nd Sec.) | 15" | 3 1/2" | 17" | LH | - | 41884 | \$ 60 ea |
| | Tank Cross | 9 1/2" | 2" | 11" | RH | 7 pcs | 41887 | \$ 44 ea |
| | Tank Cross | 9 1/2" | 2" | 11" | LH | 9 pcs | 41887 | \$ 44 ea |
| | Lower Clean Grain | 8 3/4" | 1 9/16" | 8 3/4" | RH | - | 41882 | \$ 38 ea |
| 9860 /9760 9660 | Tank Fill/Bubble Up | 10" | 2 1/2" | 9 1/2" | RH | 8 pcs | 41426 | \$ 44 ea |
| | Vertical Unload | 13" | 4 1/2" | 9" | LH | 6 pcs | 41432 | \$ 54 ea |
| | Horizontal Unload (1st Sec.) | 12" | 2 7/8" | 13" | LH | 5 pcs | 41431 | \$ 50 ea |
| | Horizontal Unload (2nd Sec.) | 11 3/4" | 3 1/2" | 13" | LH | - | 41462 | \$ 50 ea |
| | Tank Cross | 7 1/2" | 2" | 8 3/4" | LH | 11 pcs | 41449 | \$ 33 ea |
| | Tank Cross | 7 1/2" | 2" | 8 3/4" | RH | 11 pcs | 41450 | \$ 33 ea |
| | Hi-Cap Horiz. Unload (1st Sec.) | 15" | 2 7/8" | 16" | LH | 6 pcs | 41883 | \$ 62 ea |
| | Hi-Cap Horiz. Unload (2nd Sec.) | 15" | 3 1/2" | 17" | LH | - | 41884 | \$ 60 ea |
| | Hi-Cap Horiz. Unload (3rd Sec.) | 15" | 3 1/2" | 17" | LH | - | 41884 | \$ 60 ea |
| | Hi-Cap Vertical Unload | 15 3/4" | 4 1/2" | 10 1/4" | LH | 5 pcs | 41885 | \$ 67 ea |
| | Hi-Cap Tank Cross | 9 1/2" | 2" | 11" | RH | 7 pcs | 41887 | \$ 44 ea |
| | Hi-Cap Tank Cross | 9 1/2" | 2" | 11" | LH | 9 pcs | 41887 | \$ 44 ea |
| | Lower Clean Grain | 8 3/4" | 1 9/16" | 8 3/4" | RH | - | 41882 | \$ 38 ea |
| S650 /S550 9570 /9560 | Tank Fill/Bubble Up | 10" | 2 1/2" | 9 1/2" | RH | 8 pcs | 41426 | \$ 44 ea |
| | Vertical Unload | 13" | 4 1/2" | 9" | LH | 6 pcs | 41432 | \$ 54 ea |
| | Horiz. Unload (1st Sec.) | 12" | 2 7/8" | 13" | LH | 5 pcs | 41431 | \$ 50 ea |
| | Horiz. Unload (2nd Sec.) | 11 3/4" | 3 1/2" | 13" | LH | - | 41462 | \$ 50 ea |
| | Lower Clean Grain | 8 9/16" | 1 3/8" | 6 1/2" | RH | 10 pcs | 41421 | \$ 38 ea |
| 9750 /9650 | Tank Fill/Bubble Up | 10" | 2 1/2" | 9 1/2" | RH | 8 pcs | 41426 | \$ 44 ea |
| | Vertical Unload | 13" | 4 1/2" | 9" | LH | 6 pcs | 41432 | \$ 54 ea |
| | Horiz. Unload (1st Sec.) | 12" | 2 7/8" | 13" | LH | 5 pcs | 41431 | \$ 50 ea |
| | Horiz. Unload (2nd Sec.) | 11 3/4" | 3 1/2" | 13" | LH | - | 41462 | \$ 50 ea |
| | Lower Clean Grain | 8 3/4" | 1 9/16" | 8" | RH | - | 41881 | \$ 37 ea |
| | Tank Cross | 7 1/2" | 2" | 8 3/4" | LH | 11 pcs | 41449 | \$ 33 ea |
| 9550 /9450 | Tank Cross | 7 1/2" | 2" | 8 3/4" | RH | 11 pcs | 41450 | \$ 33 ea |
| | Tank Fill/Bubble Up | 10" | 2 1/2" | 9 1/2" | RH | 8 pcs | 41426 | \$ 44 ea |
| | Vertical Unload | 13" | 4 1/2" | 9" | LH | 6 pcs | 41432 | \$ 54 ea |
| | Horiz. Unload (1st Sec.) | 12" | 2 7/8" | 13" | LH | 5 pcs | 41431 | \$ 50 ea |
| | Horiz. Unload (2nd Sec.) | 11 3/4" | 3 1/2" | 13" | LH | - | 41462 | \$ 50 ea |
| | Lower Clean Grain | 8 9/16" | 1 3/8" | 6 1/2" | RH | 10 pcs | 41421 | \$ 38 ea |
| | Tank Cross | 7 1/2" | 2" | 8 3/4" | LH | 11 pcs | 41449 | \$ 33 ea |
| Tank Cross | 7 1/2" | 2" | 8 3/4" | RH | 11 pcs | 41450 | \$ 33 ea | |



HIGHLIGHTED KITS ARE IN STOCK AND READY TO SHIP

Auger dimensions vary between models and years. Always measure for an accurate fit. Please call for pricing if you don't see your exact size.

AUGER WEARSHOES - HARDWARE INCLUDED

| FOR JOHN DEERE - 3/8" THICK (PER PITCH) | | | | | | | | |
|---|----------------------------|----------------|----------------|--------|---------|------------------------|---------|------------------------|
| MODEL | AUGER | TOTAL DIAMETER | SHAFT DIAMETER | PITCH | LH / RH | PIECES PER WHOLE AUGER | PART NO | RETAIL PRICE PER PITCH |
| 9510 /9410 | Tank Fill/Bubble Up | 8 1/2" | 2 1/2" | 7 1/2" | RH | 8 pcs | 41427 | \$ 38 ea |
| | Vertical Unload | 13" | 4 1/2" | 9" | LH | 7 pcs | 41432 | \$ 54 ea |
| | Horiz. Unload (1st Sec.) | 12" | 2 7/8" | 13" | LH | 5 pcs | 41431 | \$ 50 ea |
| | Horiz. Unload (2nd Sec.) | 11 3/4" | 3 1/2" | 13" | LH | - | 41462 | \$ 50 ea |
| | Tank Cross | 7 1/2" | 2" | 8 3/4" | LH | 11 pcs | 41449 | \$ 33 ea |
| | Tank Cross | 7 1/2" | 2" | 8 3/4" | RH | 11 pcs | 41450 | \$ 33 ea |
| 9610 /9600 | *Early Tank Fill/Bubble Up | 8" | 2 1/2" | 8 1/4" | RH | 8 pcs | 41463 | \$ 38 ea |
| | *Late Tank Fill/Bubble Up | 9 1/4" | 2 1/2" | 8 1/4" | RH | 8 pcs | 41464 | \$ 38 ea |
| | Vert. Unload | 13" | 4 1/2" | 9 1/4" | LH | 7 pcs | 41432 | \$ 54 ea |
| | Horiz. Unload (1st Sec.) | 12" | 2 7/8" | 13" | LH | 5 pcs | 41431 | \$ 50 ea |
| | Horiz. Unload (2nd Sec.) | 11 3/4" | 3 1/2" | 13" | LH | - | 41462 | \$ 50 ea |
| | Tank Cross | 7 1/2" | 2" | 8 3/4" | LH | 11 pcs | 41449 | \$ 33 ea |
| 9500 /9400 | *Early Tank Fill/Bubble Up | 7 1/4" | 2 1/2" | 8 1/4" | RH | 8 pcs | 41461 | \$ 20 ea |
| | *Late Tank Fill/Bubble Up | 8 1/2" | 2 1/2" | 7 1/2" | RH | 8 pcs | 41427 | \$ 38 ea |
| | Vertical Unload | 13" | 4 1/2" | 9" | LH | 7 pcs | 41432 | \$ 54 ea |
| | Horiz. Unload (1st Sec.) | 12" | 2 7/8" | 13" | LH | 5 pcs | 41431 | \$ 50 ea |
| | Horiz. Unload (2nd Sec.) | 11 3/4" | 3 1/2" | 13" | LH | - | 41462 | \$ 50 ea |
| | Tank Cross | 7 1/2" | 2" | 8 3/4" | LH | 11 pcs | 41449 | \$ 33 ea |
| 8820 /7720 | Tank Cross | 7 1/2" | 2" | 8 3/4" | RH | 11 pcs | 41450 | \$ 33 ea |
| | Tank Fill/Bubble Up | 8" | 1 3/4" | 8 1/4" | LH | - | 41425 | \$ 33 ea |
| | Vertical Unload | 13" | 4 1/2" | 9" | LH | - | 41432 | \$ 54 ea |
| | Horiz. Unload | 11 3/4" | 3 1/2" | 13" | LH | - | 41462 | \$ 50 ea |
| | Tank Cross | 7 1/2" | 2 1/2" | 4 1/2" | LH | - | 41459 | \$ 33 ea |
| | Tank Cross | 7 1/2" | 2 1/2" | 4 1/2" | LH | - | 41454 | \$ 29 ea |
| 6620 | Vertical Unload | 13" | 4 1/2" | 9" | LH | - | 41432 | \$ 54 ea |
| | Horiz. Unload | 12" | 2 7/8" | 13" | LH | - | 41431 | \$ 50 ea |
| | Tank Cross | 7 1/2" | 2 1/2" | 4 1/2" | LH | - | 41892 | \$ 33 ea |
| | Tailings | 4 1/4" | 1" | 5 1/4" | LH | - | 42278 | \$ 15 ea |

*Early 9400 Models have Serial Numbers through 640100 (All 1989 & Some 1990 Models)

*Early 9500 Models have Serial Numbers through 640200 (All 1989 & Some 1990 Models)

*Late 9400 Models have Serial Numbers 640101 & Higher (Some 1990 & All 1991-Later)

*Late 9500 Models have Serial Numbers & Higher (Some 1990 & All 1991-Later)

*Early 9600 Models have Serial Numbers through 640300 (All 1989 & Some 1990 Models)

*Late 9600 models have Serial Numbers 640301 & Higher (Some 1990 & All 1991-Later)

| FOR GLEANER - 3/8" THICK (PER PITCH) | | | | | | | | |
|--------------------------------------|---------------------|----------------|----------------|---------|---------|------------------------|---------|------------------------|
| MODEL | AUGER | TOTAL DIAMETER | SHAFT DIAMETER | PITCH | LH / RH | PIECES PER WHOLE AUGER | PART NO | RETAIL PRICE PER PITCH |
| R65 | Horiz. Unload | 12 7/8" | 2 7/8" | 11 1/4" | LH | - | 41555 | \$ 33 ea |
| R62 | Tank Fill/Bubble Up | 8 1/2" | 1 1/2" | 8" | LH | - | 41543 | \$ 33 ea |
| | Vertical Unload | 13" | 5" | 8 1/4" | LH | - | 41552 | \$ 53 ea |
| R60 | Tank Cross | 10" | 2 3/8" | 10 1/2" | LH | 8 pcs | 41553 | \$ 43 ea |
| | Tank Fill/Bubble Up | 8 1/4" | 1 1/4" | 8" | LH | - | 41542 | \$ 33 ea |
| R52 | Tank Fill/Bubble Up | 8 1/4" | 1 1/4" | 8" | LH | - | 41542 | \$ 33 ea |

Auger dimensions vary between models and years. Always measure for an accurate fit. Please call for pricing if you don't see your exact size.



TANK FILL TUBE LINERS

INCREASE THE LIFE SPAN OF YOUR TANK FILL TUBE

LEARN MORE ON PAGE 96

AUGER WEARSHOES - HARDWARE INCLUDED

FOR MASSEY FERGUSON - 3/8" THICK (PER PITCH)

| MODEL | AUGER | TOTAL DIAMETER | SHAFT DIAMETER | PITCH | LH / RH | PIECES PER WHOLE AUGER | PART NO | RETAIL PRICE PER PITCH |
|-----------|------------------------|----------------|----------------|---------|---------|------------------------|---------|------------------------|
| 8780 | XP Tank Fill/Bubble Up | 8 1/2" | 1 1/4" | 8 1/2" | LH | - | 41876 | \$ 37 ea |
| | Vertical Unload | 14" | 6" | 10 1/2" | LH | - | 41879 | \$ 56 ea |
| | Horiz. Unload | 12" | 3" | 10" | LH | - | 41874 | \$ 49 ea |
| 8570 | Tank Fill/Bubble Up | 8" | 1 3/4" | 8" | LH | - | 41545 | \$ 33 ea |
| | Vertical Unload | 14" | 6" | 10" | LH | - | 41556 | \$ 56 ea |
| | Lower Clean Grain | 8" | 1 1/2" | 8" | RH | - | 41546 | \$ 33 ea |
| | Tank Cross | 8 1/4" | 2 3/8" | 8 1/4" | LH | - | 41547 | \$ 33 ea |
| | Horiz. Unload | 11" | 2 7/8" | 11 1/2" | LH | - | 41875 | \$ 46 ea |
| 8460/8450 | Tank Fill/Bubble Up | 9" | 1 7/8" | 6" | LH | - | 41878 | \$ 37 ea |

AUGER WEARSHOES FOR GRAIN CARTS - HARDWARE INCLUDED

FOR JOHN DEERE GRAIN CARTS - 3/8" THICK (PER PITCH)

| MODEL | AUGER | TOTAL DIAMETER | SHAFT DIAMETER | PITCH | LH / RH | PIECES PER WHOLE AUGER | PART NO | RETAIL PRICE PER PITCH |
|-------|------------|----------------|----------------|---------|---------|---------------------------|---------|------------------------|
| 500 | Vertical | 14" | 3" | 12 1/2" | LH | 17 Pcs (8 Bot / 9 Top) | 42275 | \$ 56 ea |
| 400 | Horizontal | 9" | 3" | 6 1/4" | LH | - | 41436 | \$ 37 ea |
| | Vertical | 12" | 2 7/8" | 8 1/4" | LH | - | 42273 | \$ 49 ea |
| 1210A | Horizontal | 9" | 3" | 6 1/4" | LH | - | 41436 | \$ 37 ea |
| | Vertical | 11 5/8" | 2 7/8" | 8 3/4" | LH | - | 41437 | \$ 49 ea |

FOR BRENT GRAIN CARTS - 3/8" THICK (PER PITCH)

| MODEL | AUGER | TOTAL DIAMETER | SHAFT DIAMETER | PITCH | LH / RH | PIECES PER WHOLE AUGER | PART NO | RETAIL PRICE PER PITCH |
|--------------------------------------|------------|----------------|----------------|---------|-----------|---------------------------|---------|------------------------|
| 1596 /1594 /1396 1394 /1196 /1194 | Horizontal | 19" | 5" | 20" | LH | 12 pcs (6 Frn / 5 Bck) | 42274 | \$ 79 ea |
| | Vertical | 20 1/2" | 6" | 21" | LH (Tilt) | 9 pcs (4 Bot / 5 Top) | 42271 | \$ 95 ea |
| 1084 Avalanche | Horizontal | 17" | 5" | 17 3/4" | LH | - | 42272 | \$ 64 ea |
| | Vertical | 19" | 5" | 19" | RH | 9 pcs (4 Bot / 5 Top) | 41893 | \$ 83 ea |
| 1386 /1186 | Lower | 20 1/2" | 6" | 21" | RH (Tilt) | 8 pcs | 42279 | \$ 84 ea |
| | Upper | 18 1/2" | 5" | 19" | RH (Tilt) | 9 pcs | 41894 | \$ 83 ea |
| 1082 /1080 /882 /880 | - | 18 1/2" | 5" | 19" | RH (Tilt) | 17 pcs (8 Bot / 9 Top) | 41894 | \$ 83 ea |
| 780 | - | 17" | 5" | 17 1/2" | RH (Tilt) | 17 pcs (9 Bot / 8 Top) | 41895 | \$ 72 ea |
| 974 /874 /774 /674 /574 | - | 16" | 5" | 17" | RH | 17 pcs | 41896 | \$ 67 ea |
| 772 /672 /572 /472 | Lower | 13" | 3" | 13" | RH | - | 41898 | \$ 53 ea |
| | Upper | 13" | 3 1/2" | 13" | RH | - | 41899 | \$ 53 ea |
| 770 /670 /570 /470 | - | 13" | 3" | 13" | LH | - | 41897 | \$ 53 ea |

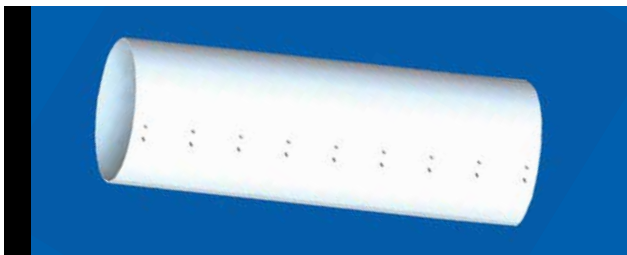
FOR J & M GRAIN CARTS - 3/8" THICK (PER PITCH)

| MODEL | AUGER | TOTAL DIAMETER | SHAFT DIAMETER | PITCH | LH / RH | PIECES PER WHOLE AUGER | PART NO | RETAIL PRICE PER PITCH |
|--|------------|----------------|----------------|-------|-----------|---------------------------|---------|------------------------|
| 1050 /1150 /1010 | - | 19" | 4 1/2" | 19" | RH | - | 41900 | \$ 83 ea |
| 1110 /1310 /1410 /1120 /1220 1520 /1051 /1151 /1326 /1401 | - | 21 1/8" | 6" | 21" | RH (Tilt) | 14 pcs (8 Bot / 6 Top) | 41901 | \$ 90 ea |
| 1075 | - | 15" | 2 7/8" | 15" | RH | 15 pcs | 41902 | \$ 62 ea |
| | - | 17 1/8" | 4 1/2" | 17" | RH | 13 pcs | 41903 | \$ 72 ea |
| | - | 21" | 6" | 21" | RH | 11 pcs | 41904 | \$ 95 ea |
| 1000 | - | 19" | 4 1/2" | 19" | RH | - | 41900 | \$ 83 ea |
| 875 | - | 15" | 2 7/8" | 15" | RH | 15 pcs | 41902 | \$ 62 ea |
| | - | 17 1/8" | 4 1/2" | 17" | RH | 13 pcs | 41903 | \$ 72 ea |
| 810 | - | 17 1/8" | 4 1/2" | 17" | RH | 13 pcs | 41903 | \$ 72 ea |
| 750 | - | 13" | 2 7/8" | 13" | RH | 17 pcs | 41905 | \$ 54 ea |
| | - | 15" | 2 7/8" | 15" | RH | 15 pcs | 41902 | \$ 62 ea |
| | - | 17 1/8" | 4 1/2" | 17" | RH | 13 pcs | 41903 | \$ 72 ea |
| 525 /620 /650 /675 | - | 13" | 2 7/8" | 13" | RH | 17 pcs | 41905 | \$ 54 ea |
| 525 | Gear Drive | 13" | 2 7/8" | 13" | LH | 17 pcs | 41906 | \$ 53 ea |

AUGER WEARSHOES FOR GRAIN CARTS - HARDWARE INCLUDED

| FOR KINZE GRAIN CARTS - 3/8" THICK (PER PITCH) | | | | | | | | |
|---|----------------------------|----------------|----------------|---------|---------|---------------------------|---------|------------------------|
| MODEL | AUGER | TOTAL DIAMETER | SHAFT DIAMETER | PITCH | LH / RH | PIECES PER WHOLE AUGER | PART NO | RETAIL PRICE PER PITCH |
| 1500 /1300 1100 | Horizontal Back | 20" | 8" | 21" | LH | 9 pcs | 42277 | \$ 84 ea |
| | Horizontal Front | 20" | 8" | 21" | LH | 4 pcs | 42277 | \$ 84 ea |
| | Vertical | 22" | 8" | 23" | LH | 10 pcs | 42233 | \$ 101 ea |
| 1050 | Vertical | 20" | 8" | 21 1/4" | LH | 9 pcs | 41933 | \$ 95 ea |
| | Early Horiz. Front Section | 16" | 7" | 17" | LH | 9 pcs | 41930 | \$ 64 ea |
| | Early Horiz. Back Section | 16" | 7" | 9" | LH | 11 pcs | 41929 | \$ 64 ea |
| | Late Horiz. Front Section | 16 3/4" | 8" | 17" | LH | 9 pcs | 41932 | \$ 72 ea |
| | Late Horiz. Back Section | 16 3/4" | 8" | 9" | LH | 11 pcs | 41931 | \$ 72 ea |
| 1040 | Horizontal Back Section | 12" | 2 7/8" | 8" | LH | 12 pcs | 41918 | \$ 50 ea |
| | Vertical | 18" | 8" | 21" | LH | 9 pcs (4 Bot / 5 Top) | 41926 | \$ 77 ea |
| 850 | Horizontal Back Section | 15" | 7" | 9" | LH | 14 pcs | 41927 | \$ 60 ea |
| | Horizontal Front Section | 15" | 7" | 15" | LH | 6 pcs | 41928 | \$ 60 ea |
| 840 | Horizontal Front Section | 12" | 3 1/2" | 12" | LH | 10 pcs | 41923 | \$ 49 ea |
| 800 | Vertical | 16" | 4 1/2" | 16" | RH | 9 pcs (4 Bot / 5 Top) | 41917 | \$ 67 ea |
| | Vertical | 16" | 8" | 16" | LH | 12 pcs (5 Bot / 7 Top) | 41922 | \$ 64 ea |
| 650 | Horizontal | 14" | 7" | 15 1/2" | LH | - | 41921 | \$ 56 ea |
| | Vertical | 14 1/8" | 2 7/8" | 14" | RH | 11 pcs | 41920 | \$ 58 ea |
| 640 | Horizontal Front Section | 12" | 2 7/8" | 12" | LH | - | 41919 | \$ 50 ea |
| | Horizontal Back Section | 12" | 2 7/8" | 8" | LH | - | 41918 | \$ 50 ea |
| 600 | Heavy Duty Vertical | 16" | 4 1/2" | 16" | RH | 9 pcs | 41917 | \$ 67 ea |
| 400 | Vertical | 12" | 2 7/8" | 12" | RH | 13 pcs (6 Bot / 7 Top) | 41916 | \$ 49 ea |
| FOR PARKER GRAIN CARTS - 3/8" THICK (PER PITCH) | | | | | | | | |
| MODEL | AUGER | TOTAL DIAMETER | SHAFT DIAMETER | PITCH | LH / RH | PIECES PER WHOLE AUGER | PART NO | RETAIL PRICE PER PITCH |
| 838 /938 | - | 16 1/2" | 5" | 17 1/2" | LH | - | 41938 | \$ 69 ea |
| 710 /810 /1010 | - | 16" | 4" | 16" | RH | - | 41936 | \$ 64 ea |
| 500 | - | 13" | 2 7/8" | 13" | RH | - | 41905 | \$ 54 ea |
| 450 | - | 12" | 2 7/8" | 8 1/4" | RH | 20 pcs | 41934 | \$ 49 ea |
| FOR KILLBROS GRAIN CARTS - 3/8" THICK (PER PITCH) | | | | | | | | |
| MODEL | AUGER | TOTAL DIAMETER | SHAFT DIAMETER | PITCH | LH / RH | PIECES PER WHOLE AUGER | PART NO | RETAIL PRICE PER PITCH |
| 1160 | Vertical (Bottom) | 13" | 3" | 13" | RH | 9 pcs (bottom) | 41911 | \$ 53 ea |
| 1150 | Vertical (Top) | 13" | 3 1/2" | 13" | RH | 10 pcs (top) | 41912 | \$ 53 ea |
| 1820 | Horizontal (Front) | 12" | 3" | 12" | LH | - | 41913 | \$ 49 ea |
| | Horizontal (Back) | 12" | 3" | 6" | LH | - | 41914 | \$ 49 ea |
| 1800 | Vertical | 15" | 3" | 15" | RH | 6 pcs (bottom) | 41910 | \$ 60 ea |
| 1600 | Vertical | 15" | 3" | 15" | RH | - | 41910 | \$ 60 ea |
| | Horizontal | 12" | 3" | 12" | LH | - | 41913 | \$ 49 ea |
| 1400 | Horizontal | 10" | 2 3/8" | 10" | LH | 12 pcs (front) | 41863 | \$ 43 ea |
| 1200 | Vertical | 12" | 2 3/8" | 12" | RH | 16 pcs (7 Bot / 9 Top) | 41915 | \$ 49 ea |

Auger dimensions vary between models and years. Always measure for an accurate fit. Please call for pricing if you don't see your exact size.



AUGER TUBE LINERS
Protect your auger tube from corrosion & wear.

Learn more on page 96

G4 PLANTER STALK STOMPERS



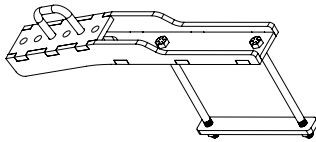
PROTECT YOUR PLANTER TIRES FROM STUBBLE DAMAGE.
INSTALL MAY WES G4 PLANTER STALK STOMPERS!
USES THE SAME POLY SHOES AS OUR G4 CORN HEAD STALK STOMPERS.

KIT FOR CASE IH 1250 EARLY RISER

| PART NO | DESCRIPTION | RETAIL PRICE |
|---------|-------------|--------------|
| 83821 | 4 Row Kit | \$ 1674 ea |

REPLACEMENT PARTS FOR CASE IH 1250 EARLY RISER

| PART NO | DESCRIPTION | RETAIL PRICE |
|---------|------------------------|--------------|
| 43119 | Mount Bracket Assembly | \$ 301 ea |

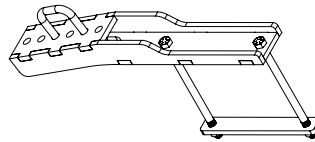


KIT FOR JOHN DEERE 1770 NT

| PART NO | DESCRIPTION | RETAIL PRICE |
|---------|-------------|--------------|
| 83820 | 4 Row Kit | \$ 1674 ea |

REPLACEMENT PARTS FOR JOHN DEERE 1770 NT

| PART NO | DESCRIPTION | RETAIL PRICE |
|---------|------------------------|--------------|
| 43118 | Mount Bracket Assembly | \$ 301 ea |



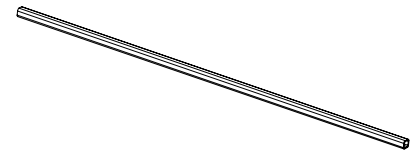
REPLACEMENT PARTS FOR BOTH

| PART NO | DESCRIPTION | RETAIL PRICE |
|---------|-------------|--------------|
| 24100 | 12" Shoe | \$ 148 ea |



REPLACEMENT PARTS FOR BOTH

| PART NO | DESCRIPTION | RETAIL PRICE |
|---------|-------------------|--------------|
| 41672 | 2x2 Toolbar - 72" | \$ 124 ea |



- Levels Stalks to Protect the Planter Tires
- 12" Durable Compression Molded UHMW Shoes
- Easily Bolts to Frame
- Simplified Design
- Hardware Included
- Made in the U.S.A.



PRO CHUTE

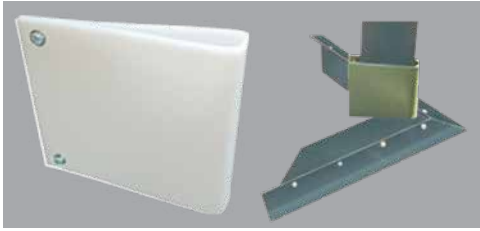


Slide Gate Controls Flow

| PART NO | DESCRIPTION | SIZE | RETAIL PRICE |
|---------|------------------------------|---------------|--------------|
| 82652 | Pro Chute I - Yellow | 7 1/2" x 62" | \$ 525 ea |
| 82653 | Pro Chute II - Blue | 10 1/2" x 62" | \$ 525 ea |
| 84421 | Pro Chute I - 18" Extension | 7 1/2" x 18" | \$ 75 ea |
| 84422 | Pro Chute I - 36" Extension | 7 1/2" x 36" | \$ 100 ea |
| 84423 | Pro Chute II - 18" Extension | 10 1/2" x 18" | \$ 75 ea |
| 84424 | Pro Chute II - 36" Extension | 10 1/2" x 36" | \$ 100 ea |

Empty Seed Box in as little as Two Minutes with Pro Chute II
 Snaps onto Seed Box Quickly, 79" of Clearance

SHANK SAVERS - 1/4" THICK



CREATE IDEAL SOIL CONDITIONS

POLY SHANK SAVERS FOR SWEEP PLOWS

| PART NO | DESCRIPTION | SIZE | RETAIL PRICE |
|---------|--------------------|--------------|--------------|
| 80688 | Undercutter V-Plow | 9 1/2" x 22" | \$ 43 ea |

As the V-plow undercuts the ground, the poly Shank Saver lessens the furrowing of the soil. It helps keep the top soil undisturbed as well as creates a uniform and shallow depth on final operation before planting. Shields are large enough for the anhydrous sprayer tubes to fit between the Shank Saver and the shank.

SHANK PROTECTORS - 1/4" THICK



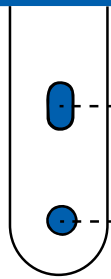
PROTECT CRITICAL STRESS POINT ON METAL SHANK FROM EXCESSIVE WEAR

As soil conditions vary from field to field, you can protect from abrasion and prevent build-up of mud and residue by covering with May Wes Non-Stick Poly Shank Protectors.

OPERATE EFFICIENTLY & SAVE FUEL

The non-stick poly surface lets the shank and attached shovel glide through sticky soil. It resists friction that causes dragging when cultivating and digging.

SIZE SPECIFICATIONS



DIMENSION "A"
(Hole Pattern Range)

| SHANK SIZE | DIMENSION "A" |
|-------------|-----------------|
| 1 1/2" x 9" | 1 1/2" - 2" |
| 1 3/4" x 9" | 1 1/2" - 2" |
| 2" x 12" | 2 1/4" x 2 3/4" |

SHANK PROTECTORS - PACKS OF 100

| DESCRIPTION | PART NO WHITE | RETAIL PRICE | PART NO SILVER | PART NO BLACK | RETAIL PRICE |
|-------------|---------------|--------------|----------------|---------------|--------------|
| 1 1/2" x 9" | 80682 | \$ 224 ea | 81592 | 82108 | \$ 224 ea |
| 1 3/4" x 9" | 80683 | \$ 237 ea | 80554 | 82109 | \$ 237 ea |
| 2" x 12" | 80685 | \$ 324 ea | 80807 | 82110 | \$ 324 ea |

SHANK PROTECTORS - PACKS OF 25

| DESCRIPTION | PART NO WHITE | RETAIL PRICE | PART NO SILVER | PART NO BLACK | RETAIL PRICE |
|-------------|---------------|--------------|----------------|---------------|--------------|
| 1 1/2" x 9" | 82263 | \$ 65 ea | 82269 | 82460 | \$ 65 ea |
| 1 3/4" x 9" | 82264 | \$ 70 ea | 82270 | 82461 | \$ 70 ea |
| 2" x 12" | 82265 | \$ 85 ea | 82271 | 82462 | \$ 85 ea |

QUICK DRAIN UNIVERSAL INTAKE



- Universal Fit - Works with any size drain tile system
- Prevents Clogging
- Durable & Long-Lasting

| PART NO | DESCRIPTION | RETAIL PRICE |
|---------|----------------------------------|--------------|
| 84426 | Quick Drain: 3-Sided with Lid | \$ 99.99 ea |
| 84425 | Quick Drain: 3-Sided without Lid | \$ 74.99 ea |
| 84428 | Quick Drain: 4-Sided with Lid | \$ 129.99 ea |
| 84427 | Quick Drain: 4-Sided without Lid | \$ 94.99 ea |

RAPID DRAIN FILTER TILE INLET & RAPID DRAIN RISER



MAXIMUM DRAINAGE · NO-CLOG DESIGN

| PART NO | DESCRIPTION | RETAIL PRICE |
|---------|---|--------------|
| 83644 | Rapid Drain Riser Jr. - 6" Body, 6" Inlet, 15" Height | \$ 34.50 ea |
| 83643 | Rapid Drain Riser - 6" Body, 6" Inlet, 34" Height | \$ 43.00 ea |
| 82981 | Rapid Drain Riser - 10" Body, 6" Inlet, 34" Height | \$ 51.00 ea |
| 82982 | Rapid Drain Riser - 10" Body, 8" Inlet, 34" Height | \$ 55.20 ea |
| 83645 | Field Marker Flag - 72", Red | \$ 10.00 ea |

Featured by the Minnesota Millennial Farmer
[youtube.com/MNMillennialFarmer](https://www.youtube.com/MNMillennialFarmer)

SEEDRIGHT™ SEED PLATES

TRANSFORM YOUR PLANTER

Plant small grains, wheat and cover crop mixes with your planter versus using a drill or air seeder.



QUESTIONS?

Scan the code to learn more.

SEEDRIGHT™ SEED PLATES

| PART NO | DESCRIPTION | RETAIL PRICE |
|---------|--|--------------|
| 84035 | John Deere Large Cell For John Deere vacuum planters (excluding ExactEmerge) | \$ 46 ea |
| 84036 | John Deere Small Cell For John Deere vacuum planters (excluding ExactEmerge) | \$ 46 ea |
| 84037 | Kinze Large Cell For Kinze EdgeVac vacuum planters | \$ 46 ea |
| 84038 | Kinze Small Cell For Kinze EdgeVac vacuum planters | \$ 46 ea |
| 84039 | Kinze Backer Plate For Kinze Brush Type mechanical planters | \$ 37 ea |
| 84040 | Precision Planting Large Cell For Precision Planting meters | \$ 39 ea |
| 84041 | Precision Planting Bundle Drop Kit Includes BundleDrop soybean plate and Knocker Wheel to prevent crusting | \$ 54 ea |



Images not shown to scale.

GAUGE & PRESS WHEEL SCRAPERS

Spend more time on your tractor with no time lost cleaning your gauge and press wheels.

NO DOWN TIME EQUALS MORE ACRES PLANTED PER DAY



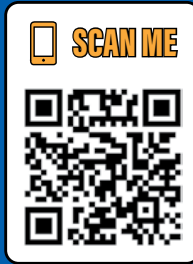
| FOR CASE IH GAUGE WHEELS | | |
|--------------------------|---|--------------|
| PART NO | DESCRIPTION | RETAIL PRICE |
| 42338 | Left Mount Bracket with Scraper for 2100 /1200 (2002 & Newer) | \$ 48 ea |
| 42339 | Right Mount Bracket with Scraper for 2100 /1200 (2002 & Newer) | \$ 48 ea |
| 42397 | Poly Scraper Only - 2100 /1200 (2002 & Newer) | \$ 22 ea |
| 42336 | Left Mount Bracket with Scraper for 1200 (2001 & Older) /955 /900 /800 | \$ 48 ea |
| 42337 | Right Mount Bracket with Scraper for 1200 (2001 & Older) /955 /900 /800 | \$ 48 ea |
| 42341 | Poly Scraper Only - 1200 (2001 & Older) /955 /900 /800 | \$ 22 ea |
| FOR CASE IH PRESS WHEELS | | |
| PART NO | DESCRIPTION | RETAIL PRICE |
| 83693 | Press Wheel Scraper Kit for 800-1200 | \$ 90 ea |
| 85033 | Press Wheel Scraper Kit for 2100 | \$ 90 ea |
| 42343 | Poly Scraper Only | \$ 22 ea |

| FOR JOHN DEERE / KINZE GAUGE WHEELS | | |
|-------------------------------------|---|--------------|
| PART NO | DESCRIPTION | RETAIL PRICE |
| 83696 | Mount Bracket with Scraper <i>Covers one side, two required per row. Welding required.</i> | \$ 48 ea |
| 42347 | Poly Scraper Only | \$ 16 ea |
| FOR JOHN DEERE / KINZE PRESS WHEELS | | |
| PART NO | DESCRIPTION | RETAIL PRICE |
| 83697 | Mount Bracket with Scraper <i>Covers two sides, one required per row.</i> | \$ 60 ea |
| 83698 | Mount Bracket with Scraper for John Deere 455 Drills <i>One required per row.</i> | \$ 80 ea |
| FOR GREAT PLAINS PRESS WHEELS | | |
| PART NO | DESCRIPTION | RETAIL PRICE |
| 83694 | Mount Bracket with Scraper <i>One required per row.</i> | \$ 80 ea |
| FOR WHITE GAUGE WHEELS | | |
| PART NO | DESCRIPTION | RETAIL PRICE |
| 83699 | Mount Bracket with Scraper <i>Covers one side, two required per row. Welding required.</i> | \$ 63 ea |

REBOUNDER™ SEED COVERS & Y-NOT SPLIT-IT™

The Rebounder™ Seed Cover is a simple and effective planting attachment that improves accuracy of seed placement and uniformity.

- Patented Convex Design
 - Durable, Flexible & Non-Stick
 - Resists Corrosion from Fertilizer Applications
- Scan the QR code to learn more.



SUPER TUFF REBOUNDER™ FURROW COMPARISON



WITH Rebounder™



Without Rebounder™

IMPROVE THE ACCURACY OF SEED PLACEMENT
= STRONGER ROOT BASE

SUPER-TUFF ORANGE REBOUNDER™

PLANTERS (Per Row, Mount Brackets sold separately)

FOR CASE IH

| PART NO | DESCRIPTION | RETAIL PRICE |
|---------|--|--------------|
| 82354 | FOR Case IH 800 /900 /950 /955 | \$ 48 ea |
| 82358 | FOR Case IH 1200 (2008 & Older) * | \$ 38 ea |
| 83196 | FOR Case IH Mount Bracket (2008 & Older) | \$ 19 ea |
| 83197 | FOR Case IH 1200 (2009 & Newer) | \$ 38 ea |
| 82470 | FOR Case IH Seed Boot Bracket (2009 & Newer) | \$ 22 ea |

FOR JOHN DEERE

| PART NO | DESCRIPTION | RETAIL PRICE |
|---------|---|--------------|
| 83646 | FOR John Deere ExactEmerge * | \$ 38 ea |
| 83647 | FOR John Deere ExactEmerge Mount Bracket | \$ 29 ea |
| 82351 | FOR John Deere 7000 /7200 /7300 & 1700 Series | \$ 38 ea |

FOR MISC.

| PART NO | DESCRIPTION | RETAIL PRICE |
|---------|--------------------------------------|--------------|
| 82353 | FOR Kinze | \$ 38 ea |
| 83570 | FOR Kinze with EdgeVac * | \$ 38 ea |
| 83571 | FOR Kinze with EdgeVac Mount Bracket | \$ 16 ea |
| 82355 | FOR Monosem | \$ 38 ea |
| 82356 | FOR Yetter | \$ 38 ea |
| 83552 | FOR Clearshot Seed Tube | \$ 38 ea |

DRILLS (Per Row, Mount Brackets sold separately)

FOR CASE IH

| PART NO | DESCRIPTION | RETAIL PRICE |
|---------|---|--------------|
| 83555 | FOR Case IH Drills 5100 /5300 /5400 /5500 * | \$ 38 ea |
| 83556 | FOR Case IH Drills 5100 /5300 /5400 /5500 Mount Bracket | \$ 19 ea |

FOR JOHN DEERE

| PART NO | DESCRIPTION | RETAIL PRICE |
|---------|--|--------------|
| 82359 | FOR John Deere No-Till Drills 750 /1560 /1590 /1690 /1850 /1860 /1890 /1990 * | \$ 16 ea |
| 82361 | FOR John Deere No-Till Drills 450 /455 /515 /520 /1520 /8300 * | \$ 38 ea |
| 82162 | FOR John Deere No-Till Drills 450 /455 /515 /520 /1520 /8300 Mount Bracket | \$ 16 ea |
| 83557 | FOR John Deere Drill Stop for Drills 1550-1990 | \$ 16 ea |

FOR MISC.

| PART NO | DESCRIPTION | RETAIL PRICE |
|---------|--|--------------|
| 82362 | FOR Sunflower No-Till Drills * | \$ 38 ea |
| 82163 | FOR Sunflower No-Till Drills Mount Bracket | \$ 16 ea |

SUPER-TUFF ORANGE REBOUNDER™

DRILLS (Per Row, Mount Brackets sold separately) continued...

FOR MISC.

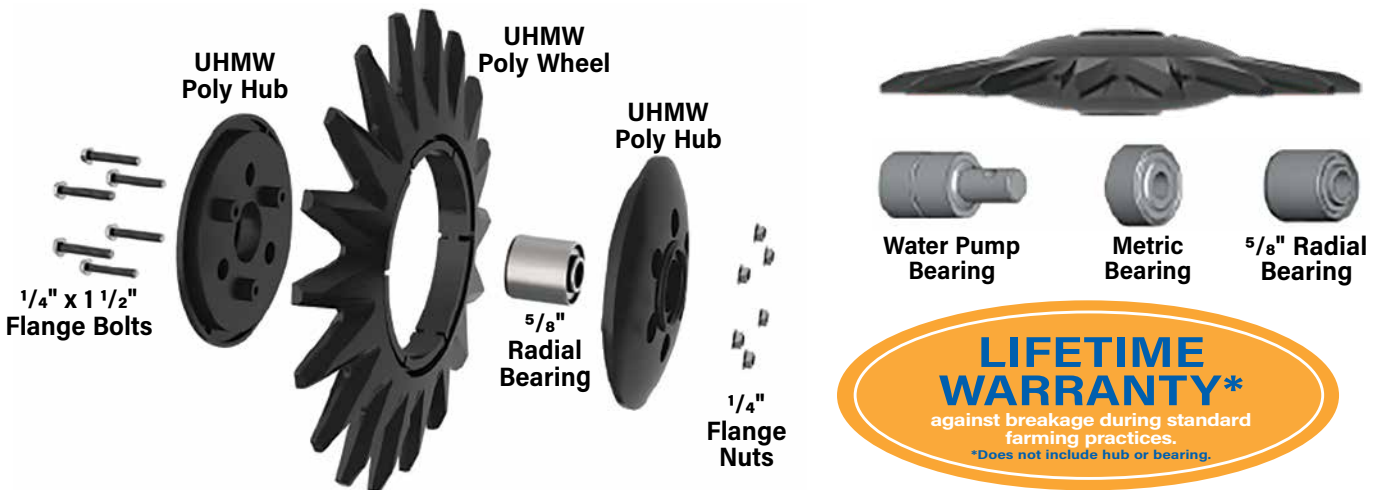
| PART NO | DESCRIPTION | RETAIL PRICE |
|---------|---|--------------|
| 82357 | FOR Great Plains Heavy Duty Series Drills 3000 /4000 (No Bracket Required) | \$ 38 ea |
| 82363 | FOR Great Plains Precision Drills * | \$ 38 ea |
| 82164 | FOR Great Plains Precision Drills Mount Bracket | \$ 16 ea |
| 82367 | FOR Great Plains Series Solid Stand 00/10/20 & 1510 Openers * | \$ 38 ea |
| 82165 | FOR Great Plains Series Solid Stand 00/10/20 & 1510 Openers Mount Bracket | \$ 16 ea |
| 82440 | FOR Krause No-Till Drills 5200 /5250 /5500 * | \$ 51 ea |
| 82166 | FOR Krause No-Till Drills 5200 /5250 /5500 Mount Bracket | \$ 14 ea |
| 82366 | FOR Tye No-Till Drills * | \$ 38 ea |
| 82463 | FOR Tye No-Till Drills Mount Bracket | \$ 16 ea |
| 82368 | FOR Krause 5400 No-Till Drill * | \$ 38 ea |
| 82167 | FOR Krause 5400 No-Till Drill Mount Bracket | \$ 16 ea |
| 83683 | FOR Salford Drill * | \$ 38 ea |
| 83684 | FOR Salford Drill Mount Bracket | \$ 16 ea |

*Requires mount bracket if purchasing for the first time

FERTILIZER TUBES

| PART NO | DESCRIPTION | RETAIL PRICE |
|---------|---|--------------|
| 82391 | Y-Not Split-It™ FOR Case IH 800 /900 /950 /955 INCLUDES: Y, 1/4" Hose (30" Long), 3/8" Hose (4" Long), Tube Clamp, Tie Strap, Screws, Metal Plate | \$ 16 ea |
| 82168 | Y-Not Split-It™ FOR Case IH 1200 INCLUDES: Y, 1/4" Hose (30" Long), 3/8" Hose (4" Long), Tie Strap, Screws, Metal Plate | \$ 16 ea |
| 82389 | Y-Not Split-It™ FOR John Deere, Kinze, White, Yetter, Great Plains, & Monosem INCLUDES: T-Nut, 1/4" Hose (30" Long), L Bracket, Washer, Slotted Screw, Y-Not Split-It, 3/8" Tube (4" Long), Metal Plate | \$ 16 ea |
| 82390 | Hose Holder FOR John Deere, Kinze, White, Yetter, Great Plains, & Monosem INCLUDES: T-nut, 1/4" Hose (30" Long), L Bracket, Washer, Slotted Screw, Metal Plate | \$ 10 ea |
| 82984 | Y-Not Split-It™ FOR Drills INCLUDES: Y, 1/4" Hose (30" Long), 3/8" Hose (4" Long), Tie Strap, Screws, Metal Plate | \$ 11 ea |

CLOSING WHEELS



LIFETIME WARRANTY*
 against breakage during standard farming practices.
*Does not include hub or bearing.

MAY WES POLY CLOSING WHEELS LAST LONGER & WEAR BETTER

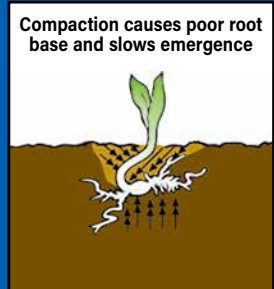
TOUGH. Eliminates Breakage **DURABLE.** Absorbs Impact & Prevents Corrosion
SLICK. Reduces Build-Up & Drag **OUTPERFORMS.** Replacement for Factory Closing Wheels



**Star
Wheels**

About Star Wheels:

- Crumbles Compacted Soil
- Applications for Planter Closing Wheel & Row Cleaner



G2 STAR WHEEL

- Shorter Points Catch Less Debris
- 13 1/2" Outside Diam.
- Fits Most OEM Wheels

NEW

SHARK TOOTH WHEEL

- Curved Points Don't Puncture Soil
- No Oxygen Gets to Your Seeds
- 13 1/2" Outside Diam.

| STAR CLOSING WHEELS - 12" | | |
|---------------------------|---|--------------|
| PART NO | DESCRIPTION | RETAIL PRICE |
| 81841 | FOR John Deere 7000 /7100 Series, Kinze 2000 Series, Great Plains 2020 /3020 (Waterpump Bearing) | \$ 234 pr |
| 81870 | FOR John Deere 7200 /7300 Series, MaxEmerge 2 (Metric Bearing) | \$ 234 pr |
| 82472 | FOR John Deere 1700 Series MaxEmerge Plus /XP, Kinze 3000 Series*, White, Newer Great Plains (5/8" Bearing) | \$ 234 pr |

*Kinze 1993 & Later use 5/8" Bearing

| STAR CLOSING WHEELS - 13 1/2" | | |
|-------------------------------|--|--------------|
| PART NO | DESCRIPTION | RETAIL PRICE |
| 83893 | Shark Tooth Closing Wheel - Star Only NEW Fits most OEM wheels, including John Deere 1700 MaxEmerge Plus, XP, XP Pro, Kinze 1993 & Newer, Great Plains, AGCO, White Reuse OEM hub and hardware. | \$ 140 pr |

| STAR CLOSING WHEELS - 13 1/2" | | |
|-------------------------------|---|--------------|
| PART NO | DESCRIPTION | RETAIL PRICE |
| 83888 | G2 Star Closing Wheel - Star Only Fits most OEM wheels, including John Deere 1700 MaxEmerge Plus, XP, XP Pro, Kinze 1993 & Newer, Great Plains, AGCO, White Reuse OEM hub and hardware. | \$ 140 pr |

| DRILL / AIR SEEDER | | |
|--------------------|---|--------------|
| PART NO | DESCRIPTION | RETAIL PRICE |
| 40706 | Star for John Deere 750 Air Drill Kit (Metric) | \$ 117 ea |
| 40991 | Star for John Deere 1560 /1565 /1590 Grain Drills 1690 /1860 /1890 /1895 /1990 Air Drills | \$ 117 ea |

| WHEEL KITS | | |
|------------|------------------------------------|--------------|
| PART NO | DESCRIPTION | RETAIL PRICE |
| 40666 | 12" Star Kit (Waterpump Bearing) | \$ 117 ea |
| 40706 | 12" Star Kit (Metric Bearing) | \$ 117 ea |
| 41490 | 12" Star Kit (5/8" Radial Bearing) | \$ 117 ea |

Kits include Wheel, Bearing & Hardware.

CLOSING WHEELS

| HUB KITS (Kits Include Hub, Bearing & Hardware) | | |
|---|---------------------|--------------|
| PART NO | DESCRIPTION | RETAIL PRICE |
| 40752 | Waterpump Hub Kit | \$ 75 ea |
| 40753 | Metric Hub Kit | \$ 90 ea |
| 41496 | 5/8" Radial Hub Kit | \$ 91 ea |

| WHEELS | | |
|---------|----------------|--------------|
| PART NO | DESCRIPTION | RETAIL PRICE |
| 20874 | 12" Star Wheel | \$ 64 ea |

| HUBS (2 Hubs Required Per Wheel) | | |
|----------------------------------|-------------------------|--------------|
| PART NO | DESCRIPTION | RETAIL PRICE |
| 40738 | Waterpump Hub | \$ 26 ea |
| 40874 | Metric Hub | \$ 26 ea |
| 41493 | 5/8" Radial Bearing Hub | \$ 26 ea |

| BEARINGS | | |
|----------|--------------------------------|--------------|
| PART NO | DESCRIPTION | RETAIL PRICE |
| 20869 | Waterpump Bearing (5/8") | \$ 26 ea |
| 40728 | Metric Bearing (17mm - 11/16") | \$ 47 ea |
| 22072 | * 5/8" Radial Bearing (5/8") | \$ 33 ea |

*Kinze 1993 & Later use 5/8" Bearing

| SPACER BUSHINGS | | |
|-----------------|--|--------------|
| PART NO | DESCRIPTION | RETAIL PRICE |
| 22073 | Spacer Bushing: 5/8" Inner Diameter, 3/8" Length Used with 5/8" Bearing & Hub | \$ 8.25 ea |
| 20989 | Spacer Bushing: 5/8" Inner Diameter, 5/8" Length Used with 17mm - 11/16" Bearing | \$ 7.25 ea |

| NUTS & BOLTS | | |
|--------------|---------------------------------------|--------------|
| PART NO | DESCRIPTION | RETAIL PRICE |
| 00915 | Flange Bolt (6 Per Wheel, 12 Per Row) | \$ 0.75 ea |
| 00917 | Flange Nut (6 Per Wheel, 12 Per Row) | \$ 0.25 ea |
| 00197 | 5/8" Nut | \$ 1.60 ea |
| 00018 | 5/8" x 3 1/8" Bolt | \$ 2.15 ea |

Key Material Features of UHMW:

- UHMW is exceedingly strong and durable.
- UHMW Wheels /Fingers deflect when encountering objects, but will return to their original molded position (shape memory).
- UHMW does not corrode like steel and stays cleaner due to the non-stick poly surface.

PLANTER BOX TOPPERS & HINGES



ONE PIECE DESIGN

- Fits 1.6 Bushel Planter Boxes Only
- Adds 1 Bushel Capacity
- Watertight Fit Prevents Seed Loss During Transport
- Use Original Lid - Fits Tight Preventing Lid Loss

Planter Box Hinges

Attach directly to your existing planter box and lid to secure lid to the box.

82717 \$ 13.50 ea

POLY SEED BOX EXTENSION - SNAP ON

| PART NO | DESCRIPTION | RETAIL PRICE |
|---------|--|--------------|
| 82658 | FOR John Deere 7200 /7300 /1760 /1780 MaxEmerge 2 Row Unit /1700 /1710 /1720 /1730 /1750 /1760 /1780 1770 /MaxEmerge Plus /XP Row Units - Yellow | \$ 44.95 ea |
| 82659 | FOR Kinze 3000 Series - White Fits over OEM #GA9714 | \$ 44.95 ea |

FIBERGLASS SEED BOX EXTENSION - BOLT ON

| PART NO | DESCRIPTION | RETAIL PRICE |
|---------|---|--------------|
| 82536 | FOR Case IH 1200 - Gray | \$ 179 ea |
| 82531 | FOR John Deere 7000 & 7100 - Yellow | \$ 109 ea |
| 82532 | FOR John Deere 7200 & 7300 (thru 1992) - Yellow | \$ 109 ea |
| 82534 | FOR Kinze 2000 - White | \$ 109 ea |

FERTILIZER BOX TOPPERS



PLANT LONGER, GET DONE FASTER.

- Adds up to 400 lbs. per Hopper
- Easy Installation - Use Original Lid
- Durable Fiberglass Construction with Steel Cross Brace

| PART NO | DESCRIPTION | RETAIL PRICE |
|---------|-----------------------------|--------------|
| 82539 | FOR John Deere - All Models | \$ 279 ea |
| 82540 | FOR Kinze - All Models | \$ 279 ea |

SEED FILL TUBES - TELESCOPING

DISTRIBUTE SEED FASTER

Telescoping Seed Fill Tubes extend and retract to give you the flexibility you need to distribute seed easier, faster and with less spillage. Take control of the tube direction with the built-in handle and sturdy construction of the seed fill tube.



All telescoping tubes include flex hose, clamp & handle.

2 & 3 STAGE TELESCOPING SEED FILL TUBE WITH HANDLE

6" AUGERS (Includes 16" of Flex Hose)

| PART NO | DESCRIPTION | SIZE | RETAIL PRICE |
|---------|-------------|------------|--------------|
| 83530 | 2 Stage | 4' - 7' L | \$ 140 ea |
| 82718 | 3 Stage | 4' - 10' L | \$ 180 ea |
| 82719 | 3 Stage | 5' - 13' L | \$ 190 ea |
| 82720 | 3 Stage | 6' - 16' L | \$ 200 ea |
| 82721 | 3 Stage | 7' - 19' L | \$ 220 ea |

7" AUGERS (Includes 18" of Flex Hose)

| PART NO | DESCRIPTION | SIZE | RETAIL PRICE |
|---------|-------------|------------|--------------|
| 83531 | 2 Stage | 4' - 7' L | \$ 150 ea |
| 83532 | 2 Stage | 6' - 11' L | \$ 170 ea |
| 83533 | 3 Stage | 4' - 10' L | \$ 190 ea |
| 83534 | 3 Stage | 5' - 13' L | \$ 200 ea |
| 83006 | 3 Stage | 6' - 16' L | \$ 220 ea |



8" AUGERS (Includes 20" of Flex Hose)

| PART NO | DESCRIPTION | SIZE | RETAIL PRICE |
|---------|-------------|------------|--------------|
| 83535 | 2 Stage | 4' - 7' L | \$ 160 ea |
| 83536 | 2 Stage | 6' - 11' L | \$ 180 ea |
| 83537 | 3 Stage | 4' - 10' L | \$ 200 ea |
| 83007 | 3 Stage | 6' - 16' L | \$ 230 ea |

10" AUGERS (Includes 24" of Flex Hose)

| PART NO | DESCRIPTION | SIZE | RETAIL PRICE |
|---------|-------------|------------|--------------|
| 83652 | 2 Stage | 6' - 11' L | \$ 350 ea |

REPLACEMENT URETHANE FLEX HOSE

| PART NO | DESCRIPTION | SIZE | RETAIL PRICE |
|---------|-------------|----------|--------------|
| 42259 | Flex Hose | 6" I.D. | \$ 21 ft |
| 42260 | Flex Hose | 7" I.D. | \$ 24 ft |
| 42261 | Flex Hose | 8" I.D. | \$ 27 ft |
| 42262 | Flex Hose | 10" I.D. | \$ 35 ft |

REPLACEMENT HOSE CLAMPS

| PART NO | DESCRIPTION | SIZE | RETAIL PRICE |
|---------|-----------------------|----------|--------------|
| 43273 | 6" T-Bolt Hose Clamp | 6" I.D. | \$ 5.95 ea |
| 43274 | 7" T-Bolt Hose Clamp | 7" I.D. | \$ 6.95 ea |
| 43284 | 8" T-Bolt Hose Clamp | 8" I.D. | \$ 7.95 ea |
| 43285 | 10" T-Bolt Hose Clamp | 10" I.D. | \$ 15.95 ea |

SEED FILL TUBES - NON-TELESCOPING

Bulk Seed Fill Tubes are perfect for bulk fill applications where extended telescoping lengths are not required. They are compact yet flexible to allow easy positioning of the tube. These one-piece tubes make loading your bulk fill planter easy.

| PART NO | DESCRIPTION | SIZE | RETAIL PRICE |
|---------|---------------------------------------|------|--------------|
| 83009 | 6" Auger Includes 16" of Flex Hose | 4' L | \$ 90 ea |
| 83010 | 7" Auger Includes 18" of Flex Hose | 4' L | \$ 95 ea |
| 83011 | 8" Auger Includes 20" of Flex Hose | 4' L | \$ 100 ea |



NON-TELESCOPING BULK SEED FILL TUBE WITH HANDLE

Available in 4 Ft. Length & Auger Diameters of 6", 7" & 8"

All non-telescoping tubes include flex hose, clamp & handle.

POLY CUPPED & STRAIGHT AUGER FLIGHTING

All Right Hand
Flighting Only

THE PROVEN CHOICE FOR BULK GRAIN SEED HANDLING

5" • 6" • 7" • 9"
POLY CUPPED AUGERS FOR:

- SEED TENDERS
- GRAVITY BOX AUGERS
- TRUCK MOUNT TAILGATE AUGERS
- AIR SEED FILL AUGERS
- TRANSPORT AUGERS
- BIN UNLOAD AUGERS



Poly Cupped Auger Flighting

Protecting your grain and seed from auger handling and damage is a no-brainer. Testing has proven Poly Cupped Flighting to have **5-times lower soybean seed cracking** compared to factory steel (reference chart below). Poly Cupped Flighting is ideal for gentle handling of bulk grain and seeds, such as soybeans, popcorn, edible peas, lentils and white corn.

Poly Straight Auger Flighting

Provides an economical way to replace your outdated steel auger and upgrade to the industry best! Perfect for tough jobs of transferring fertilizer and corrosive materials. The High Density Polyethylene (HDPE) material is also safe for food handling.

ADDITIONAL FLIGHTING SIZES AVAILABLE
Call 1-800-788-6483

Soybean Crack Test Results

| Flighting Type | Percent Breakage | Average Breakage |
|----------------|------------------|------------------|
| Plastic Cup | 0.38 % | 38 |
| Bristle | 0.35 % | 35 |
| Steel | 1.80% | 180 |
| Steel Cup | 2.10% | 210 |

Average breakage based on per 10,000 beans. Test ran with hydraulic motor at 12 gal/min (6" x 13' uni-swivel auger at a 45° angle). Average moisture content of the bean seed sample was 12%. Reprinted with permission from J&M Manufacturing Co.

COMPLETE CUPPED FLIGHTING KITS

FOR TRUCK AUGERS

| PART NO | DESCRIPTION | RETAIL PRICE |
|---------|---|--------------|
| 82985 | Westfield DF 614 Truck Mount Drill Fill | \$ 466 ea |

FOR GRAVITY BOX AUGERS - 5" DIAMETER

| PART NO | DESCRIPTION | RETAIL PRICE |
|---------|---------------------|--------------|
| 82986 | Parker 11' | \$ 315 ea |
| 82987 | Killbros 12' | \$ 316 ea |
| 82988 | Killbros 14' | \$ 368 ea |
| 83539 | Killbros 15' | \$ 396 ea |
| 83540 | MJM 14' | \$ 403 ea |
| 83541 | EZ-Trail 12' | \$ 359 ea |
| 83542 | EZ-Trail 14' | \$ 410 ea |
| 83543 | Sudenga 14' | \$ 401 ea |
| 83544 | Hydrafold 14' | \$ 379 ea |
| 83545 | Hydrafold 16' | \$ 437 ea |
| 83546 | Ficklin / Shoup 12' | \$ 303 ea |
| 83547 | Ficklin / Shoup 14' | \$ 356 ea |
| 83548 | Ficklin / Shoup 16' | \$ 408 ea |
| 82989 | Westfield GWA612 | \$ 346 ea |
| 82990 | Westfield GWA615 | \$ 424 ea |
| 82991 | J&M 13' | \$ 336 ea |
| 82992 | J&M 15' | \$ 387 ea |

FOR WEIGH WAGONS - 7-8" DIAMETER

| PART NO | DESCRIPTION | RETAIL PRICE |
|---------|---------------------------------------|--------------|
| 82993 | Parkan GW 150 | \$ 592 ea |
| 82994 | Parkan GW 200 - with 9 1/2' top auger | \$ 667 ea |
| 82995 | Parkan GW 200 - with 11' top auger | \$ 710 ea |
| 82996 | Brent 150 | \$ 782 ea |
| 82997 | Unverferth 150 | \$ 767 ea |
| 83549 | Parker 1500/1550 | \$ 580 ea |
| 83550 | Parker 1555 - 7 5/8" diameter | \$ 671 ea |

FOR AIR SEEDER CARTS - 7" DIAMETER AUGER TUBE

| PART NO | DESCRIPTION | RETAIL PRICE |
|---------|---|--------------|
| 83707 | John Deere 1910-21' Stainless Steel Shaft | \$ 911 ea |

FOR AIR SEEDER CARTS - 8" DIAMETER AUGER TUBE

| PART NO | DESCRIPTION | RETAIL PRICE |
|---------|--|--------------|
| 82998 | John Deere 1910-21' Galvanized Steel Shaft | \$ 692 ea |
| 82999 | John Deere 1910-21' Stainless Steel Shaft | \$ 910 ea |
| 83000 | John Deere 1910-23' Galvanized Steel Shaft | \$ 750 ea |
| 83001 | John Deere 1910-23' Stainless Steel Shaft | \$ 990 ea |
| 83002 | John Deere 787 /Flexicoil 20 Series Galvanized Steel Shaft | \$ 482 ea |
| 83008 | John Deere 787 /Flexicoil 20 Series Stainless Steel Shaft | \$ 608 ea |

Note: Due to large size, additional shipping fee may apply. Kits may ship in sections to reduce shipping cost. Contact May Wes for a shipping estimate.

QUESTIONS?

Watch our FAQ video.

Scan the code with your smartphone to watch on YouTube.



POLY CUPPED & STRAIGHT AUGER FLIGHTING



How to Order Poly Cupped & Poly Straight Auger Flighting

Step 1:

Reference **Chart A** and identify the type of auger you have to determine the measurements and components necessary to complete your order.

Step 2:

Determine what diameter flighting you need.

- Straight Flighting will be $\frac{3}{8}$ " to $\frac{1}{2}$ " shorter diameter than the outside tube diameter.
- Cupped flighting will be 1" shorter than the outside tube diameter.

If you are replacing a worn module and aren't sure of its original diameter, measure the outside diameter of the hex tube and reference Chart B to identify the correct replacement module.

Step 3:

Identify your motor connector style.

- If your Motor Shaft has a bolt hole, you will need to order a Bushing that accepts the Drive Shaft (a bolt hole can be drilled).
- If your Motor Shaft has a keyway and not a bolted style shaft, you will need a 1" Keyed Bored female coupler (41296) to accept the Keyed Motor Shaft.

Step 4:

Determine which drive shaft you need. Keyed Shaft or a Through Hole Shaft?

- A Keyed Shaft will have a slot cut at the end of the shaft to accept a pulley or sprocket.
- A Stub Shaft will generally be on the idle or non-drive end of an auger. Please specify the length needed.

All 5" and 6" flighting is standard with 1" shaft. 7-9" flighting, you can order a 1", 1 1/4", 1 1/2" or 2" drive shaft.

Step 5:

For every 10' of auger, you will need to order an all-hex connector.

QUESTIONS?

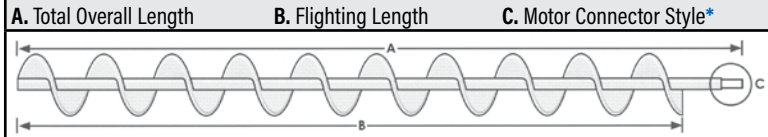
Watch our How to Order video on YouTube.



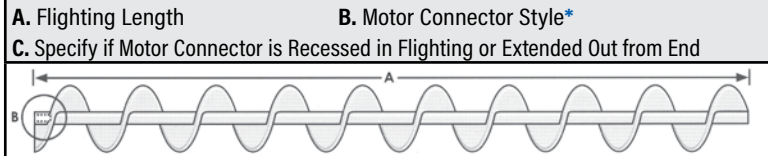
CHART A

Shown below are some of the common styles of auger flighting assemblies and the dimensions needed to make a replacement assembly from poly cupped flighting.

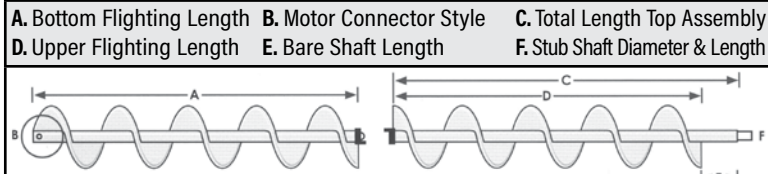
1. GRAVITY BOX AUGER - TOP DRIVE



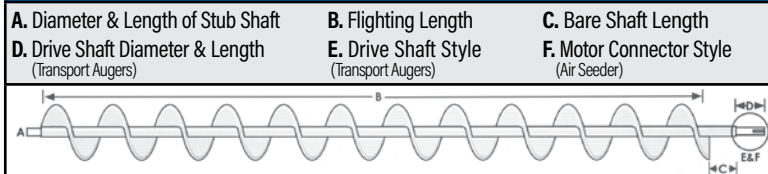
2. GRAVITY BOX AUGER - BOTTOM DRIVE



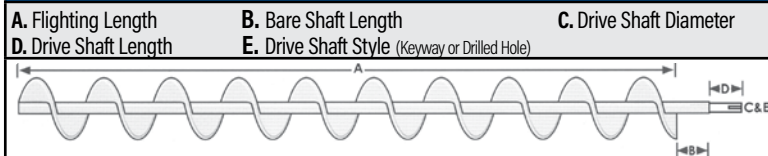
3. FOLDING AUGER



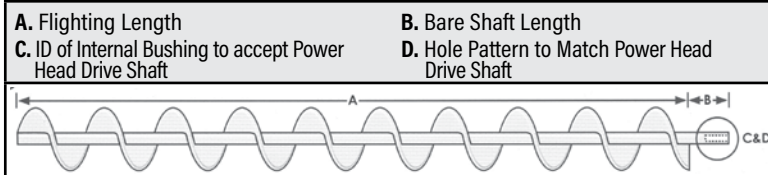
4. TRANSPORT AUGER / AIR SEEDER TANK FILL AUGER



5. BIN UNLOAD AUGER WITH DRIVE SHAFT



6. BIN UNLOAD AUGER FOR POWER HEAD



*Most hydraulic motors have a 1" drive shaft with either a keyway or 3/8" hole; specify which style.

CHART B

OUTSIDE DIAMETER OF HEX TUBES FOR EACH SIZE OF AUGER (FLAT TO FLAT)

| | |
|-------------------------------|---------------------------|
| 2" Auger | 7/16" Solid Hex |
| 3" Auger | 1 1/16" Hex Tube |
| 4" Auger | 1" Hex Tube |
| 5 5/8" Straight / 5" & 6" Cup | 1 3/8" Hex Tube (Approx.) |
| 7" Cup | 1 3/4" Hex (Approx.) |
| 9" Cup | 2" Hex (Approx.) |

ADDITIONAL FLIGHTING SIZES AVAILABLE. CALL 1-800-788-6483.

POLY CUPPED & STRAIGHT AUGER FLIGHTING

STRAIGHT FLIGHTING & REPLACEMENT PARTS

2" POLY STRAIGHT FLIGHTING

| PART NO | DESCRIPTION | RETAIL PRICE |
|---------|--------------------------|--------------|
| 82274 | Poly on Mild Steel Shaft | \$ 16.00 ft |

3" POLY STRAIGHT FLIGHTING

| PART NO | DESCRIPTION | RETAIL PRICE |
|---------|--------------------------|--------------|
| 82275 | Poly on Mild Steel Shaft | \$ 18.00 ft |

4" POLY STRAIGHT FLIGHTING

| PART NO | DESCRIPTION | RETAIL PRICE |
|---------|--------------------------|--------------|
| 82276 | Poly on Mild Steel Shaft | \$ 19.00 ft |

5 5/8" POLY STRAIGHT FLIGHTING

| PART NO | DESCRIPTION | RETAIL PRICE |
|---------|--------------------------------|--------------|
| 82280 | Poly on Galvanized Steel Shaft | \$ 23.00 ft |
| 82285 | Poly on Stainless Steel Shaft | \$ 33.00 ft |

5 5/8" POLY STRAIGHT FLIGHTING COMPONENTS

| PART NO | DESCRIPTION | RETAIL PRICE |
|---------|--|--------------|
| 41272 | 5 5/8" Flight Module (4.6" Length) | \$ 7.00 ea |
| 41275 | Galvanized Hex Shaft for 5 5/8" | \$ 5.00 ft |
| 41276 | Stainless Steel Hex Shaft for 5 5/8" | \$ 8.00 ft |
| 41282 | All-Hex Connector for 5 5/8" | \$ 10.00 ea |
| 41283 | Motor Drive Connector for 5 5/8" | \$ 10.00 ea |
| 41284 | 1" I.D. Bushing for 5 5/8" | \$ 12.00 ea |
| 41285 | Folding Connector for 5 5/8" | \$ 40.00 ea |
| 41296 | 1" Keyed Bore (Accepts 1" Keyed Shaft) | \$ 26.00 ea |

CUPPED FLIGHTING & REPLACEMENT PARTS

5" POLY CUPPED FLIGHTING

| PART NO | DESCRIPTION | RETAIL PRICE |
|---------|--------------------------------|--------------|
| 82277 | Poly on Galvanized Steel Shaft | \$ 24.00 ft |
| 82282 | Poly on Stainless Steel Shaft | \$ 33.00 ft |

6" POLY CUPPED FLIGHTING

| PART NO | DESCRIPTION | RETAIL PRICE |
|---------|--------------------------------|--------------|
| 82278 | Poly on Galvanized Steel Shaft | \$ 24.00 ft |
| 82283 | Poly on Stainless Steel Shaft | \$ 34.00 ft |

5" & 6" POLY CUPPED FLIGHTING COMPONENTS

| PART NO | DESCRIPTION | RETAIL PRICE |
|---------|--|--------------|
| 41269 | 5" Flight Module (4.07" Length) | \$ 6.00 ea |
| 42404 | 5" End Support Module | \$ 6.00 ea |
| 41270 | 6" Flight Module (5" Length) | \$ 8.00 ea |
| 42405 | 6" End Support Module | \$ 8.00 ea |
| 41275 | Galvanized Hex Shaft for 5" & 6" | \$ 5.00 ft |
| 41276 | Stainless Steel Hex Shaft for 5" & 6" | \$ 8.00 ft |
| 41282 | All-Hex Connector for 5" & 6" | \$ 10.00 ea |
| 41283 | Motor Drive Connector for 5" & 6" | \$ 10.00 ea |
| 41304 | 3/4" I.D. Bushing for 5" & 6" | \$ 14.00 ea |
| 41284 | 1" I.D. Bushing for 5" & 6" | \$ 12.00 ea |
| 41285 | Folding connector for 5" & 6" | \$ 40.00 ea |
| 41286 | Drive for 5" Friesen | \$ 24.00 ea |
| 41296 | 1" Keyed Bore (accepts 1" Keyed Shaft) | \$ 26.00 ea |

CUPPED FLIGHTING & REPLACEMENT PARTS

7" POLY CUPPED FLIGHTING

| PART NO | DESCRIPTION | RETAIL PRICE |
|---------|--------------------------------|--------------|
| 82279 | Poly on Galvanized Steel Shaft | \$ 27.00 ft |
| 82284 | Poly on Stainless Steel Shaft | \$ 40.00 ft |

7" POLY CUPPED FLIGHTING COMPONENTS

| PART NO | DESCRIPTION | RETAIL PRICE |
|---------|--|--------------|
| 41271 | 7" Flight Module (5.75" Length) | \$ 9.00 ea |
| 42406 | 7" End Support Module | \$ 9.00 ea |
| 41277 | Galvanized Hex Shaft for 7" | \$ 6.00 ft |
| 41278 | Stainless Steel Hex Shaft for 7" | \$ 10.00 ft |
| 41287 | Connector for 7" (10" Length) | \$ 37.00 ea |
| 41296 | 1" Keyed Bore (accepts 1" Keyed Shaft) | \$ 26.00 ea |
| 41292 | 1" I.D. Bushing for 7" | \$ 20.00 ea |
| 41293 | 1 1/4" I.D. Bushing for 7" | \$ 17.00 ea |

9" POLY CUPPED FLIGHTING

| PART NO | DESCRIPTION | RETAIL PRICE |
|---------|--------------------------------|--------------|
| 82281 | Poly on Galvanized Steel Shaft | \$ 33.00 ft |
| 82286 | Poly on Stainless Steel Shaft | \$ 53.00 ft |

9" POLY CUPPED FLIGHTING COMPONENTS

| PART NO | DESCRIPTION | RETAIL PRICE |
|---------|----------------------------------|--------------|
| 41273 | 9" Flight Module (7.33" Length) | \$ 13.00 ea |
| 42407 | 9" End Support Module | \$ 13.00 ea |
| 41279 | Galvanized Hex Shaft for 9" | \$ 9.00 ft |
| 41280 | Stainless Steel Hex Shaft for 9" | \$ 15.00 ft |
| 41288 | Connector for 9" (10" Length) | \$ 37.00 ea |
| 41302 | 1" I.D. Bushing for 9" | \$ 25.00 ea |
| 41301 | 1 1/4" I.D. Bushing for 9" | \$ 23.00 ea |
| 41300 | 1 1/2" I.D. Bushing for 9" | \$ 20.00 ea |
| 41299 | 1 3/4" I.D. Bushing for 9" | \$ 24.00 ea |

DRIVE SHAFTS FOR CUPPED / STRAIGHT FLIGHTING

| PART NO | DESCRIPTION | LENGTH | RETAIL PRICE |
|---------|--------------------|--------|--------------|
| 42326 | 1" Keyed Shaft | 7" | \$ 16.00 ea |
| 42327 | 1" Keyed Shaft | 10" | \$ 20.00 ea |
| 42328 | 1" Keyed Shaft | 16" | \$ 28.00 ea |
| 42329 | 1 1/4" Keyed Shaft | 9" | \$ 26.00 ea |
| 42330 | 1 1/4" Keyed Shaft | 10" | \$ 28.00 ea |
| 42331 | 1 1/4" Keyed Shaft | 13" | \$ 30.00 ea |
| 42332 | 1 1/4" Keyed Shaft | 17" | \$ 40.00 ea |
| 41295 | 1" Stub Shaft | - | \$ 1.25 in |
| 41298 | 1 1/4" Stub Shaft | - | \$ 1.67 in |
| 41306 | 1 1/2" Stub Shaft | - | \$ 2.75 in |
| 42115 | 2" Stub Shaft | - | \$ 4.50 in |

REMINDER: for complete installation, order an auger connector and drive shaft.
FLIGHTING BASED ON DIAMETER OF AUGER
NO RETURNS ON CUSTOM ORDERS



STOP SCRATCHING YOUR ASPHALT!

INSTALL A MAY WES POLY CUTTING EDGE

VERTICAL POLY CUTTING EDGE FOR SNOW PUSHERS AND PLOWS

Unbeveled · Optional Straight Holes



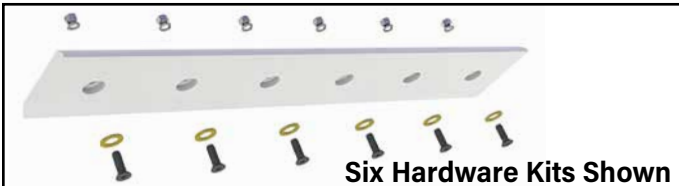
| VERTICAL POLY CUTTING EDGES | | |
|-----------------------------|--|-----------------|
| PART NO | DESCRIPTION | RETAIL PRICE |
| 83873 | 6" Wide x 1" Thick - Per Running Inch | \$ 3.50 in |
| 83874 | 6" Wide x 1 1/2" Thick - Per Running Inch | \$ 5.00 in |
| 83875 | 8" Wide x 1" Thick - Per Running Inch | \$ 4.55 in |
| 83876 | 8" Wide x 1 1/2" Thick - Per Running Inch | \$ 6.30 in |
| 83877 | Drilling of each hole | \$ 4.35 ea |
| 81724 | 2" Hardware Kit Includes: 5/8" x 2" Mounting Bolt, Nut, Lock Washer & Washer (One kit required per hole) | \$ 5.90 ea |
| 83686 | 3" Hardware Kit Includes:* 5/8" x 3" Mounting Bolt, Nut, Lock Washer & Washer (One kit required per hole) | \$ 5.90 ea |
| 83878 | Custom Width Blade - 1 1/2" Thick - Per Sq Foot | \$ 103.00 sq/ft |

| SNOW PUSHER SKID SHOES | | |
|------------------------|--|--------------|
| PART NO | DESCRIPTION | RETAIL PRICE |
| 83946 | 8" Wide x 1 1/2" Thick - Per Running Inch | \$ 6.30 in |
| 84028 | Drilling of Slotted Holes - Per Running Inch | \$ 6.00 in |
| 83686 | 3" Hardware Kit Includes:* 5/8" x 3" Mounting Bolt, Nut, Lock Washer & Washer (One kit required per hole) | \$ 5.90 ea |

*Recommend 3" Hardware Kits for thicker blades.

*Recommend 3" Hardware Kits for thicker blades.

All per running inch options are undrilled.
All orders are subject to a \$100 minimum per cutting edge.

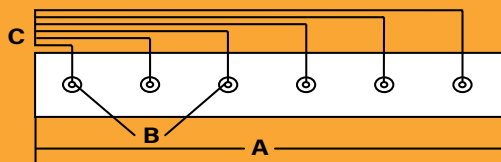


Featured by Fast Ag
Montana, Larson Farms,
& Stanley the Dirt Monkey



HOW TO ORDER

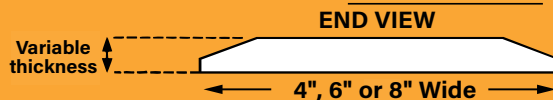
VERTICAL OR HORIZONTAL CUTTING EDGE



Blades over 94" will be shipped in two pieces unless specified. If you request a seamless blade over 94" it will be shipped freight. Freight shipments are subject to higher rates.

Information to know before calling

- A. Cutting Edge Length _____
- B. Quantity of holes _____
- C. Distance from edge to center of each hole _____



No Returns Accepted on Custom Orders

SLICK AND DURABLE UHMW POLY PROTECTS PAVEMENT FROM PLOW DAMAGE

HORIZONTAL POLY CUTTING EDGE FOR BUCKETS AND SKID LOADERS

Beveled on Both Sides · Optional Counterbored Holes



PROTECT PAVEMENT FROM EQUIPMENT DAMAGE

- Designed to Protect Smooth, Hard Surfaces such as cobblestone and some pavements that can be damaged by equipment. Not designed for continual use on rough surfaces.
- Non-Sparking & Non-Stick UHMW Poly Surface Reduces Debris Build-Up
- Prevents Scuffing Concrete or Cobblestone Sidewalks
- Less Shock to Equipment in Uneven Concrete Conditions
- Lightweight Compared to Metal Cutting Edges
- Simple Installation & Maintenance-Free Operation

HORIZONTAL POLY CUTTING EDGES

| PART NO | DESCRIPTION | RETAIL PRICE |
|---------|--|--------------|
| 81732 | 8" Wide x 3/4" Thick - Per Running Inch | \$ 3.55 in |
| 81733 | 8" Wide x 1" Thick - Per Running Inch | \$ 4.55 in |
| 82126 | 8" Wide x 1 1/2" Thick - Per Running Inch | \$ 6.30 in |
| 83518 | 6" Wide x 3/4" Thick - Per Running Inch | \$ 2.85 in |
| 83519 | 6" Wide x 1" Thick - Per Running Inch | \$ 3.50 in |
| 83520 | 6" Wide x 1 1/2" Thick - Per Running Inch | \$ 5.00 in |
| 82133 | 4" Wide x 3/4" Thick - Per Running Inch | \$ 2.25 in |
| 83521 | 4" Wide x 1" Thick - Per Running Inch | \$ 2.60 in |
| 83522 | 4" Wide x 1 1/2" Thick - Per Running Inch | \$ 3.70 in |
| 81734 | Drilling of Each Counterbored Hole | \$ 4.85 ea |
| 81724 | 2" Hardware Kit Includes: 5/8" x 2" Mounting Bolt, Nut, Lock Washer & Washer (One kit required per hole) | \$ 5.90 ea |
| 83686 | 3" Hardware Kit Includes:* 5/8" x 3" Mounting Bolt, Nut, Lock Washer & Washer (One kit required per hole) | \$ 5.90 ea |

*Recommend 3" Hardware Kits for thicker blades.

All per running inch options are undrilled.
All orders are subject to a \$100 minimum per cutting edge.

INSTALLATION VIDEOS



Tony Fast reviews his 3-year-old Poly Cutting Edge



Installing a Poly Cutting Edge at Larson Farms



Stanley "Dirt Monkey" Genadek's Arctic LD Sectional Snow Pusher



Stanley "Dirt Monkey" Genadek's Boss Drag Pro 180Z

Scan the QR codes with your smartphone to watch on YouTube.

QUESTIONS?

Watch our FAQ video on YouTube.



SHOW US YOUR POLY CUTTING EDGE IN ACTION!

Tag May Wes Manufacturing on social media for a chance to be featured.



SKID HITCH

LIGHTWEIGHT · QUICKLY INSTALL & REMOVE

The **Skid Hitch** allows you to quickly add a standard 2" trailer hitch receiver (not included) to your skid loader.

- Compatible with any make or model of skid loader
- Lightweight and easy to install and remove
- Portable, fits right in your truck toolbox
- **1,000 lb tongue weight rating**



| SKID HITCH | | |
|------------|-------------|--------------|
| PART NO | DESCRIPTION | RETAIL PRICE |
| 83884 | Skid Hitch | \$ 195 ea |



QUESTIONS?
Watch our FAQ video.



Scan the QR code with your smartphone to watch on YouTube.



FEATURED BY
Welker Farms

LOCK N LUBE® & LOCK N FLATE® **NEW**

THE NEW STANDARD IN GREASE GUNS AND LOCKING AIR CHUCKS

LOCKNLUBE®

- The World's First Leak-Free Grease Guns
- LockNLube® Grease Coupler
Locks On - Stays On - Doesn't Leak
- Open up clogged fittings with the Grease Buster®

LOCKNFLATE®

- Six steel jaws to lock onto any Schrader valve for a **secure, hands-free connection**
- Closed flow or open flow applications
- Heavy-duty construction



LOCKNLUBE® GREASE GUNS

| PART NO | DESCRIPTION | RETAIL PRICE |
|---------|--|--------------|
| 84417 | LOCKNLUBE® Heavy-Duty Lever Grip Grease Gun | \$ 75.99 ea |
| 84418 | LOCKNLUBE® Heavy-Duty Pistol Grip Grease Gun | \$ 75.99 ea |

OPTIONAL ACCESSORIES

| PART NO | DESCRIPTION | RETAIL PRICE |
|---------|---|--------------|
| 84420 | 8-Piece LOCKNLUBE® Quick Connect Greasing Accessory Kit Eight quick-connect adapters for easy access to hard-to-reach grease fittings. Includes: 90° Grease Coupler, Push-On 90° Grease Coupler, Narrow Needle Nose Dispenser, Grease Injector Needle, Quick-Connect Grease Hose Adapter, Seal-Off Grease Adapter, Recessed Fitting Adapter, Simple 90° Adapter | \$ 80.99 ea |
| 84410 | LOCKNLUBE® Grease Gun Coupler with Spare Rebuild Kit | \$ 34.99 ea |
| 84411 | LOCKNLUBE® Grease Gun Coupler XL - Extra Reach for Recessed Fittings | \$ 44.99 ea |
| 84419 | The Original Grease Buster® - Clear Out Clogged Grease Fittings | \$ 59.99 ea |

LOCKNFLATE®

| PART NO | DESCRIPTION | RETAIL PRICE |
|---------|---|--------------|
| 84413 | LOCKNFLATE® Locking Air Chuck - Open Flow | \$ 39.99 ea |
| 84414 | LOCKNFLATE® Locking Air Chuck - Closed Flow | \$ 39.99 ea |
| 84415 | LOCKNFLATE® Locking Dual Wheel Adapter - 15 1/2" Extended Reach | \$ 107.99 ea |

AIR FILTER BLASTER



EXTEND THE LIFE OF YOUR FILTERS

- Reduces fuel consumption
- Increases the life of your equipment
- Increases engine performance

Safe For Filters

The distribution of air allows a maximum of 48 psi to come out of any one air jacket in the Filter Blaster. Testing has proven the filters can withstand many Air Filter Blaster uses.

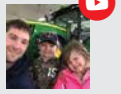
Saves You Money

Reduces filter replacement costs and landfill charges, which improves your bottom line.

PRODUCT VIDEO

Watch the MN Millennial Farmer test out the Air Filter Blaster!

SCAN ME



Featuring
Minnesota
Millennial
Farmer

COMPLETE KIT

| PART NO | DESCRIPTION | RETAIL PRICE |
|---------|----------------------------------|--------------|
| 83685 | Air Filter Blaster with 6" Rotor | \$ 299 kit |

OPTIONAL ACCESSORIES

| PART NO | DESCRIPTION | RETAIL PRICE |
|---------|--|--------------|
| 42311 | 3" Rotor Head for filters with 3" - 4 1/2" inside diameter | \$ 59 ea |
| 42312 | 4 1/2" Rotor Head for filters with 4 1/2" - 6" inside diameter | \$ 59 ea |
| 42313 | 6" Rotor Head for filters with 6" - 9" inside diameter | \$ 59 ea |
| 42314 | 9" Rotor Head for filters with inside diameter over 9" | \$ 59 ea |
| 42315 | 12" Extended Shaft (includes O-ring) for filters with depths above 26" | \$ 59 ea |

Designed to be taken directly into the field, requires only 90 psi to operate. Standard 6" Rotor Head included. Minimum of 90 PSI to Maximum of 135 PSI for use.

RIDE TAMER ZERO-TURN SUSPENSION SYSTEM

ENJOY A 47% SMOOTHER RIDE!

Patented Torsion Suspension & Trailing Arm Design

Ideal for large properties and commercial lawn services.
Reduces stress to your mower's frame and your back!



AVAILABLE FOR

- JOHN DEERE
 - TORO
 - SCAG
 - KUBOTA
 - EXMARK
- Compatible with select models only. For the most current list of models, visit maywes.com.

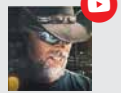


SCAN TO ORDER
or visit maywes.com

PRODUCT VIDEO

Watch Stanley "Dirt Monkey" Genadek test out the Ride Tamer!

SCAN ME



Featuring
Stanley
"Dirt Monkey"
Genadek

\$649 per kit

Includes two patented torsion units and all installation hardware.

SLICKPLATE™ BY MINIMIZER™



No Grease or Mess. Saves Time and Money.

BENEFITS INCLUDE:

- Non-stick Poly Surface
Eliminates Need to Grease
- Prolong Your Fifth Wheel Life
Debris Will Not Stick
- Less Friction
For Easier Handling
- Basic Installation
All Hardware Included

As featured by
Fast Ag Montana



SCAN ME



POLY COVERS ALL CRITICAL WEAR AREAS

PLEASE MEASURE THESE DISTANCES BEFORE CALLING.

DIMENSIONS TO THE RIGHT ARE APPROXIMATE AND APPLY TO THE POLY COVER, NOT YOUR METAL PLATE.



REPLACEMENT PARTS

| PART NO | DESCRIPTION | RETAIL PRICE |
|---------|---|--------------|
| 102789 | Hardware Kit - FW35 Only (Ram Bars Not Included) | \$ 38 ea |
| 100062 | Hardware Kit (Ram Bars Not Included) | \$ 38 ea |
| 100084 | 2 1/2" Ram Bar Kit | \$ 48 ea |
| 100075 | 3 1/2" Ram Bar Kit | \$ 48 ea |
| 100068 | 5 3/4" Ram Bar Kit | \$ 48 ea |
| 100063 | 7 1/4" Ram Bar Kit | \$ 48 ea |

SLICKPLATE™ FOR HOLLAND®

| | | | | | |
|---|---|--|--|---|---|
| | | | | | |
| Model: FW35 Height: 32 1/2" Width: 34 1/2" | Model: FW17 Height: 26 1/2" Width: 35 1/2" | Model: FW8 Height: 29" Width: 35 1/2" | Model: FW3500 / FW2535 Height: 32 1/2" Width: 37" | Model: FWS1 Height: 25 1/2" Width: 36" | Model: FW6000 Height: 26" Width: 20 1/2" |
| PART NO 100061 RETAIL PRICE \$ 273 ea | PART NO 100067 RETAIL PRICE \$ 273 ea | PART NO 100070 RETAIL PRICE \$ 273 ea | PART NO 100065 RETAIL PRICE \$ 273 ea | PART NO 100072 RETAIL PRICE \$ 273 ea | PART NO 100074 RETAIL PRICE \$ 273 ea |

SLICKPLATE™ FOR FONTAINE®

| | | | | | |
|---|---|---|---|--|---|
| | | | | | |
| Model: 7000 Height: 30" Width: 35" | Model: 6000 (No Slack II) Height: 30" Width: 35" | Model: 5092 Height: 32" Width: 35 1/2" | Model: 3000 Height: 26 1/2" Width: 35" | Model: CASTLOC Height: 33" Width: 36" | Model: CASTLOC II Height: 36 1/2" Width: 36 1/2" |
| PART NO 100077 RETAIL PRICE \$ 273 ea | PART NO 100079 RETAIL PRICE \$ 273 ea | PART NO 100081 RETAIL PRICE \$ 273 ea | PART NO 100083 RETAIL PRICE \$ 273 ea | PART NO 100096 RETAIL PRICE \$ 273 ea | PART NO 100098 RETAIL PRICE \$ 273 ea |

SLICKPLATE™ FOR ASF®

SLICKPLATE™ FOR JOST®

| | | |
|--|--|--|
| | | |
| Model: JSK37H Series Height: 31 1/2" Width: 35" | Model: JSK37F Series Height: 30" Width: 35 1/2" | Model: JSK37U / JSK37USL Height: 30" Width: 35 1/2" |
| PART NO 100088 RETAIL PRICE \$ 273 ea | PART NO 100086 RETAIL PRICE \$ 273 ea | PART NO 103090 RETAIL PRICE \$ 273 ea |

SLICKPLATE™ FOR SIMPLEX®

| | | |
|---|---|---|
| | | |
| Model: Simplex SE Height: 25 1/2" Width: 36" | Model: Simplex II Height: 33" Width: 36" | Model: Simplex Lite Height: 26 1/2" Width: 35 1/2" |
| PART NO 100090 RETAIL PRICE \$ 273 ea | PART NO 100094 RETAIL PRICE \$ 273 ea | PART NO 100092 RETAIL PRICE \$ 273 ea |

SLICKPLATE™ FOR REESE®

| |
|---|
| |
| Model: 18K, 20K & 25K Height: 15 1/2" Width: 19" |
| PART NO 100100 RETAIL PRICE \$ 273 ea |

SLICKPLATE™ FOR ROBIN INDUSTRIES®

| |
|--|
| |
| Model: 15K Height: 14" Width: 11 1/2" |
| PART NO 100164 RETAIL PRICE \$ 235 ea |

SLICKPLATE™ FOR RV FIFTH WHEEL

| |
|---|
| |
| Model: Fits Most Models Height: 15" Width: 11 1/2" |
| PART NO 100165 RETAIL PRICE \$ 235 ea |

Dimensions are approximate and apply to the poly cover, not your metal plate. Must continue to grease king pin. Illustrations above not shown to scale. Hardware & Ram Bars included with all kits.

As Featured by
**MN Millennial Farmer,
Fast Ag Montana
& Larson Farms**



Made in the U.S.A.

HOLLAND® is a registered trademark of SAF-Holland, Inc., with which neither Pride Solutions LLC, nor May Wes Manufacturing has an affiliation. Fontaine® is a registered trademark of Fontaine International, Inc., with which neither Pride Solutions LLC or May Wes Manufacturing has an affiliation. Reese® is a registered trademark of Horizon Global Corporation, with which neither Pride Solutions LLC or May Wes Manufacturing has an affiliation. Robin Industries® is a registered trademark of Robin Industries, Inc., with which neither Pride Solutions LLC nor May Wes Manufacturing has an affiliation. SIMPLEX®, SIMPLEX SE®, SIMPLEX II®, AND SIMPLEX LITE® are registered trademarks of SAF-Holland, Inc., with which neither Pride Solutions LLC nor May Wes Manufacturing has an affiliation.

LINEAR ACTUATORS

THE COMMON SENSE OEM ACTUATOR REPLACEMENT

Field-Tested DIRECT REPLACEMENT

Thoroughly designed and field-tested against every OEM number listed.

COST EFFECTIVE Compared to OEM

Streamlined order process and significant cost savings when compared to purchasing the original part.



| FOR CASE IH | | | |
|--------------------------|-----------|---------|--------------|
| APPLICATION | OEM NO | PART NO | RETAIL PRICE |
| Baler | 700709661 | 84444 | \$ 485 ea |
| Net/Twine Wrap | 700703665 | 84451 | \$ 575 ea |
| Net/Twine Wrap | 9843435 | 84454 | \$ 515 ea |
| Net/Twine Wrap | 86634125 | 84455 | \$ 515 ea |
| Net/Twine Wrap | 700703665 | 84457 | \$ 575 ea |
| FOR NEW HOLLAND | | | |
| APPLICATION | OEM NO | PART NO | RETAIL PRICE |
| Baler | 768929 | 84441 | \$ 455 ea |
| Net/Twine Wrap | 9843435 | 84454 | \$ 515 ea |
| Net/Twine Wrap | 86634125 | 84455 | \$ 515 ea |
| FOR JOHN DEERE | | | |
| APPLICATION | OEM NO | PART NO | RETAIL PRICE |
| Baler | AE52551 | 84440 | \$ 620 ea |
| Combine | AXE23606 | 84453 | \$ 575 ea |
| Combine | AH160107 | 84458 | \$ 690 ea |
| FOR VERMEER | | | |
| APPLICATION | OEM NO | PART NO | RETAIL PRICE |
| Net/Twine Wrap | 95892001 | 84442 | \$ 545 ea |
| Net/Twine Wrap | 68234001 | 84443 | \$ 545 ea |
| Net/Twine Wrap | 95892020 | 84456 | \$ 545 ea |
| FOR AGCO/MASSEY FERGUSON | | | |
| APPLICATION | OEM NO | PART NO | RETAIL PRICE |
| Baler | 700709661 | 84444 | \$ 485 ea |
| Baler | 700731957 | 84447 | \$ 595 ea |
| Combine | 700709661 | 84444 | \$ 485 ea |
| Grain Platform | 71385146 | 84445 | \$ 620 ea |
| Grain Platform | 71446154 | 84452 | \$ 585 ea |
| Net/Twine Wrap | 700730000 | 84446 | \$ 595 ea |
| Net/Twine Wrap | 700705163 | 84448 | \$ 435 ea |
| Net/Twine Wrap | 700724407 | 84449 | \$ 585 ea |
| Net/Twine Wrap | 700738759 | 84450 | \$ 565 ea |
| Net/Twine Wrap | 700703665 | 84451 | \$ 575 ea |
| Net/Twine Wrap | 700711353 | 84457 | \$ 575 ea |



Can't find your OEM number?
Find the full list of compatible makes and models at maywes.com.

POLY CAPPED BOLTS



| POLY CAPPED BOLTS - PACKS OF 12 | | | |
|---------------------------------|---------------------------|------------|--------------|
| PART NO | DESCRIPTION | THICKNESS | RETAIL PRICE |
| 83638 | Poly Capped Bolts - White | 1/4" X 1" | \$ 32.00 pk |
| 83639 | Poly Capped Bolts - White | 5/16" X 1" | \$ 50.00 pk |
| 83640 | Poly Capped Bolts - White | 3/8" X 1" | \$ 43.00 pk |
| 83733 | Poly Capped Bolts - Black | 1/4" X 1" | \$ 32.00 pk |
| 83734 | Poly Capped Bolts - Black | 5/16" X 1" | \$ 50.00 pk |
| 83735 | Poly Capped Bolts - Black | 3/8" X 1" | \$ 43.00 pk |

CUSTOM ORDERS AVAILABLE



SCAN ME



- Ideal for high friction and high velocity applications
- Protect steel, aluminum, wood and other surfaces
- Use with poly surfaces to achieve 100% poly surface

Order online at maywes.com.

HARDWARE

BOLTS

FIFTH WHEEL COVER & MOLDBOARD BOLTS

| PART NO | DESCRIPTION | RETAIL PRICE |
|---------|-------------|--------------|
| 81300 | 2" Bolt | \$ 3.50 ea |
| 80831 | 1 1/2" Bolt | \$ 3.50 ea |

ELEVATOR BOLTS

| PART NO | DESCRIPTION | RETAIL PRICE |
|---------|-----------------------|--------------|
| 81293 | Bag of 50 - 1/4" X 1" | \$ 19.00 ea |

Fifth Wheel Cover & Moldboard Bolts



Elevator Bolts



POUND RIVETS

10-16 SHORT POUND RIVETS (PREDRILLED SKIDS)

| PART NO | DESCRIPTION | RETAIL PRICE |
|---------|--|--------------|
| 82197 | Bag of 25 - 10-16 Short Aluminum Rivets Length: .469" Head Diameter: .500" Grip Range: .266" - .359" Shaft Diameter: .250" | \$ 17.00 ea |
| 81312 | Bag of 135 - 10-16 Short Aluminum Rivets | \$ 58.00 ea |
| 81314 | Bag of 170 - 10-16 Short Aluminum Rivets | \$ 74.00 ea |
| 81316 | Bag of 220 - 10-16 Short Aluminum Rivets | \$ 95.00 ea |

12-16 MEDIUM POUND RIVETS (UNDRILLED SKIDS)

| PART NO | DESCRIPTION | RETAIL PRICE |
|---------|---|--------------|
| 82198 | Bag of 25 - 12-16 Medium Aluminum Rivets Length: .531" Head Diameter: .500" Grip Range: .328" - .422" Shaft Diameter: .250" | \$ 19.00 ea |
| 81313 | Bag of 135 - 12-16 Medium Aluminum Rivets | \$ 68.00 ea |
| 81315 | Bag of 170 - 12-16 Medium Aluminum Rivets | \$ 82.00 ea |
| 81317 | Bag of 220 - 12-16 Medium Aluminum Rivets | \$ 108.00 ea |

16-16 LONG POUND RIVETS (EXTRA THICK METAL)

| PART NO | DESCRIPTION | RETAIL PRICE |
|---------|---|--------------|
| 82199 | Bag of 25 - 16-16 Long Aluminum Rivets Length: .656" Head Diameter: .500" Grip Range: .453" - .547" Shaft Diameter: .250" | \$ 21.00 ea |
| 82442 | Bag of 50 - 16-16 Long Aluminum Rivets | \$ 37.00 ea |

POP RIVETS

SIZE 66 (SHORT POP RIVETS)

| PART NO | DESCRIPTION | RETAIL PRICE |
|---------|---|--------------|
| 82189 | Bag of 25 - Steel Small Head Length: .562" Shaft Diameter: .185" Head Diameter: .370" | \$ 14.00 ea |
| 81306 | Bag of 100 - Steel Small Head | \$ 37.00 ea |
| 82190 | Bag of 25 - Steel Large Head Length: .562" Shaft Diameter: .185" Head Diameter: .625" | \$ 14.00 ea |
| 82107 | Bag of 100 - Steel Large Head | \$ 37.00 ea |

SIZE 68 (LONG POP RIVETS)

| PART NO | DESCRIPTION | RETAIL PRICE |
|---------|---|--------------|
| 82191 | Bag of 25 - Steel Small Head Length: .688" Shaft Diameter: .185" Head Diameter: .370" | \$ 14.00 ea |
| 81302 | Bag of 100 - Steel Small Head | \$ 37.00 ea |
| 82192 | Bag of 25 - Steel Large Head Length: .688" Shaft Diameter: .185" Head Diameter: .625" | \$ 14.00 ea |
| 82106 | Bag of 100 - Steel Large Head | \$ 37.00 ea |

SIZE 86 (SHORT POP RIVETS)

| PART NO | DESCRIPTION | RETAIL PRICE |
|---------|--|--------------|
| 82193 | Bag of 25 - Steel Small Head Length: .620" Shaft Diameter: .250" Head Diameter: .50" | \$ 15.00 ea |
| 82194 | Bag of 100 - Steel Small Head | \$ 47.00 ea |

SIZE 88 (LONG POP RIVETS)

| PART NO | DESCRIPTION | RETAIL PRICE |
|---------|---|--------------|
| 82195 | Bag of 25 - Steel Small Head Length: .75" Shaft Diameter: .250" Head Diameter: .50" | \$ 17.00 ea |
| 82196 | Bag of 100 - Steel Small Head | \$ 54.00 ea |



POUND RIVET TOOL

| PART NO | DESCRIPTION | RETAIL PRICE |
|---------|------------------|--------------|
| 81320 | Pound Rivet Tool | \$ 41.00 ea |



BULK POLY

UHMW POLYETHYLENE BY THE SQUARE FOOT - WHITE

| PART NO | DESCRIPTION | THICKNESS | RETAIL PRICE |
|---------|-------------|-----------|------------------|
| *80796 | UHMW | 1/8" | \$ 22 per sq ft |
| *80775 | UHMW | 1/4" | \$ 29 per sq ft |
| *80785 | UHMW | 3/8" | \$ 41 per sq ft |
| *80782 | UHMW | 1/2" | \$ 54 per sq ft |
| *80780 | UHMW | 3/4" | \$ 79 per sq ft |
| *80783 | UHMW | 1" | \$ 103 per sq ft |

*\$100 Minimum.



HIGH DENSITY POLYETHYLENE ON A ROLL - WHITE

1/8" - Under Elevated Farrowing Crates • U-Trough Feeders • Gutter Chute Liners

3/16" - Truck/Trailer Beds • Manure Spreaders

| PART NO | DESCRIPTION | THICKNESS | RETAIL PRICE |
|---------|----------------------------------|-----------|------------------------|
| *81785 | 8 foot (8' wide, 96") | 1/8" | \$ 40 per running foot |
| *81784 | 6 foot (6' 3 1/4" wide, 75 1/4") | 3/16" | \$ 45 per running foot |
| *81783 | 8 foot (8' 3/4" wide, 96 3/4") | 3/16" | \$ 55 per running foot |
| 81775 | 6' 3 1/4" x 50' | 3/16" | \$ 1675 ea |
| 81778 | 8' wide x 50' | 3/16" | \$ 2250 ea |

UHMW POLYETHYLENE BY THE SHEET - WHITE

| PART NO | DESCRIPTION | THICKNESS | RETAIL PRICE |
|---------|---------------|-----------|-------------------|
| 81763 | 4' x 10' UHMW | 1/8" | \$ 372 per sheet |
| 81760 | 4' x 10' UHMW | 1/4" | \$ 409 per sheet |
| 81972 | 4' x 10' UHMW | 3/8" | \$ 610 per sheet |
| 81806 | 4' x 10' UHMW | 1/2" | \$ 750 per sheet |
| 80784 | 4' x 10' UHMW | 3/4" | \$ 1148 per sheet |
| 81973 | 4' x 10' UHMW | 1" | \$ 1530 per sheet |

Call for price/availability on other colors.

POLYURETHANE - BLACK

| PART NO | DESCRIPTION | THICKNESS | RETAIL PRICE |
|---------|--------------|-----------|-----------------|
| 80665 | Polyurethane | 1/4" | \$ 46 per sq ft |

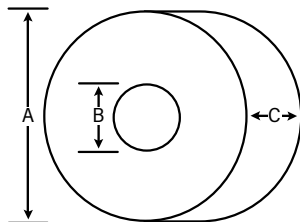
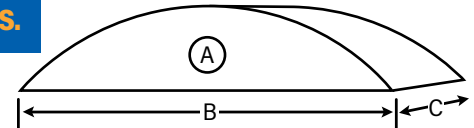
*\$200 Minimum. Due to large size, additional shipping fees may apply.

**NON-STICK, DURABLE POLY
PERFECT FOR TRUCK BED
AND TRAILER LINERS**

POLY CHAIN TIGHTENERS

POLY GIVES LONGER LIFE TO THE CHAIN AND OUTLASTS WOOD BLOCKS.

These are made of 100% UHMW Poly for added strength - lasting three to five times longer than other plastics. Replace wood with self-lubricating, long wearing poly tighteners.



POLY CHAIN ROLLERS - WHITE

| PART NO | A: OD | B: ID | C: THICKNESS | RETAIL PRICE |
|---------|--------|---------|--------------|--------------|
| 80744 | 1 5/8" | 1/2" | 1" | \$ 10.25 ea |
| 80754 | 3" | 1/2" | 1 1/2" | \$ 14.55 ea |
| 80756 | 4" | 1 1/32" | 1" | \$ 16.50 ea |
| 80757 | 4" | 1 1/32" | 1 1/2" | \$ 21.00 ea |

POLY HALF MOONS - WHITE

| PART NO | A: HOLE DIAMETER | B: LENGTH | C: THICKNESS | RETAIL PRICE |
|---------|------------------|-----------|--------------|--------------|
| 80745 | 3/8" | 3" | 1 1/4" | \$ 14.50 ea |
| 80746 | 3/8" | 3" | 2" | \$ 14.50 ea |
| 80749 | 1/2" | 3" | 1 1/2" | \$ 14.50 ea |
| 80755 | 3/8" | 4" | 1 1/4" | \$ 15.50 ea |
| 80750 | 1/2" | 4" | 1 1/2" | \$ 15.50 ea |

Stronger and more durable than factory plastic.

PRSRT STD
US POSTAGE
PAID
KENT, OH
PERMIT #15



Order Online 24/7

www.maywes.com
1 (800) 788-6483

120 Eastgate Drive SE | Hutchinson, MN 55350

COME VISIT US AT THESE SHOWS IN 2026 - 2027

| | | |
|------------------------------|-------------------------|------------------|
| Farmfest | August 4 - 6, 2026 | Morgan, MN |
| Farm Progress | September 1 - 3, 2026 | Boone, IA |
| Husker Harvest | September 15 - 17, 2026 | Grand Island, NE |
| Farm Science Review | September 22 - 24, 2026 | London, OH |
| National Farm Machinery Show | February 10 - 13, 2027 | Louisville, KY |
| Commodity Classic | March 3 - 5, 2027 | New Orleans, LA |



Show dates are subject to change or cancellation.
Visit www.maywes.com/events for updates and more information.

