

coop

coop solar

Quick Install Guide

Warning

NOTE: This equipment has been tested and found to comply with the limits for a Class B digital device, pursuant to part 15 of the FCC Rules. These limits are designed to provide reasonable protection against harmful interference in a residential installation. This equipment generates uses and can radiate radio frequency energy and, if not installed and used in accordance with the instructions, may cause harmful interference to radio communications.

FCC (USA) 15.9 prohibition against eavesdropping except for the operations of law enforcement officers conducted under lawful authority, no person shall use, either directly or indirectly, a device operated pursuant to the provision of this part for the purpose of overhearing or recording the private conversations of others unless such use is authorized by all parties engaging in the conversation.

FCC ID: 2AO8RNA-S001

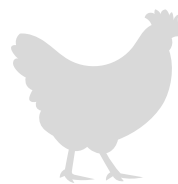
Mode: S001

Manufactured in P.R.C.



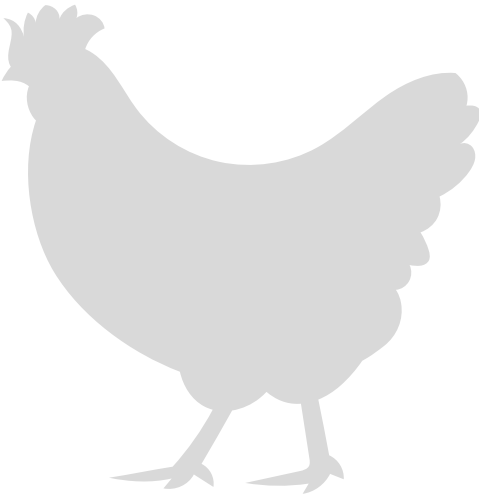
Peck here for installation video.

Or visit www.Coop.farm/pages/solar to learn more.

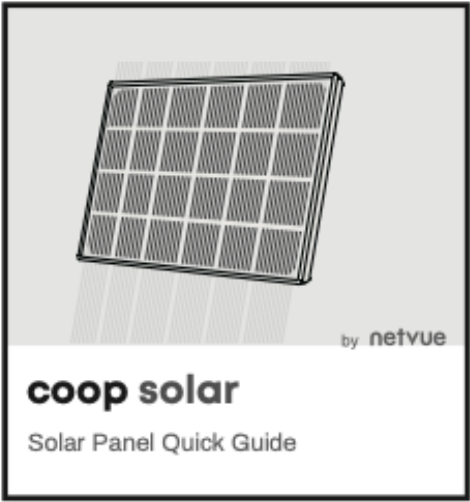


Contents

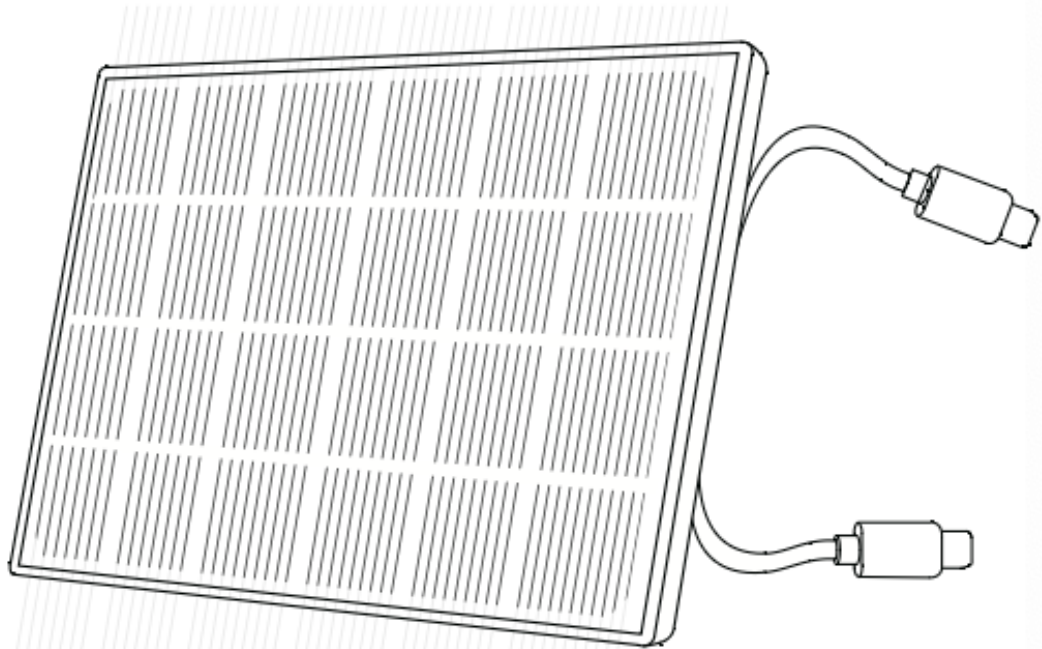
- 1. Solar Supplies 1
- 2. Solar Panel Parameters 2
- 3. Structure 3
- 5. Installation On The Run 4-6
- 6. Installation On The Coop 7-10



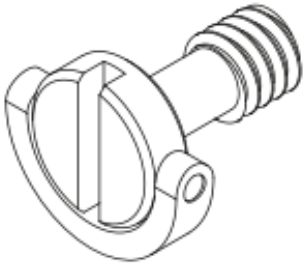
Solar Supplies



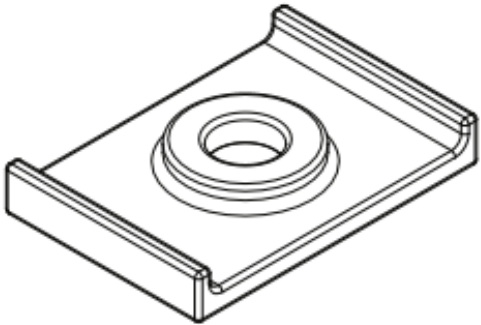
User Manual



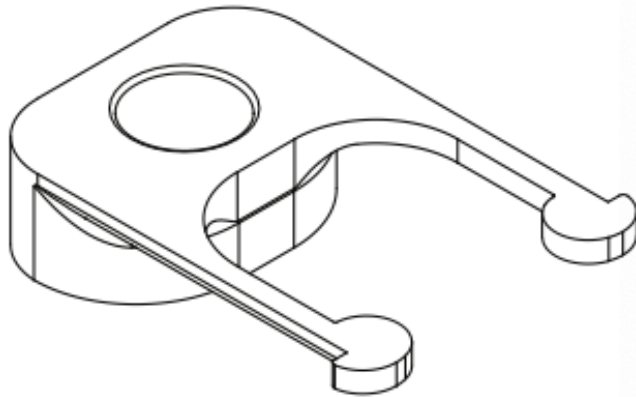
Solar Panel



Mounting
Screw 1/4"



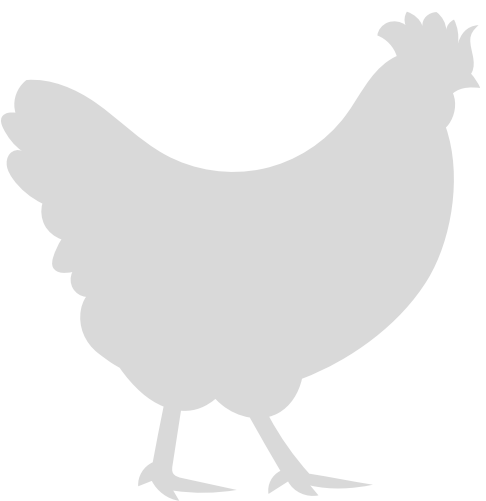
Flat Bracket



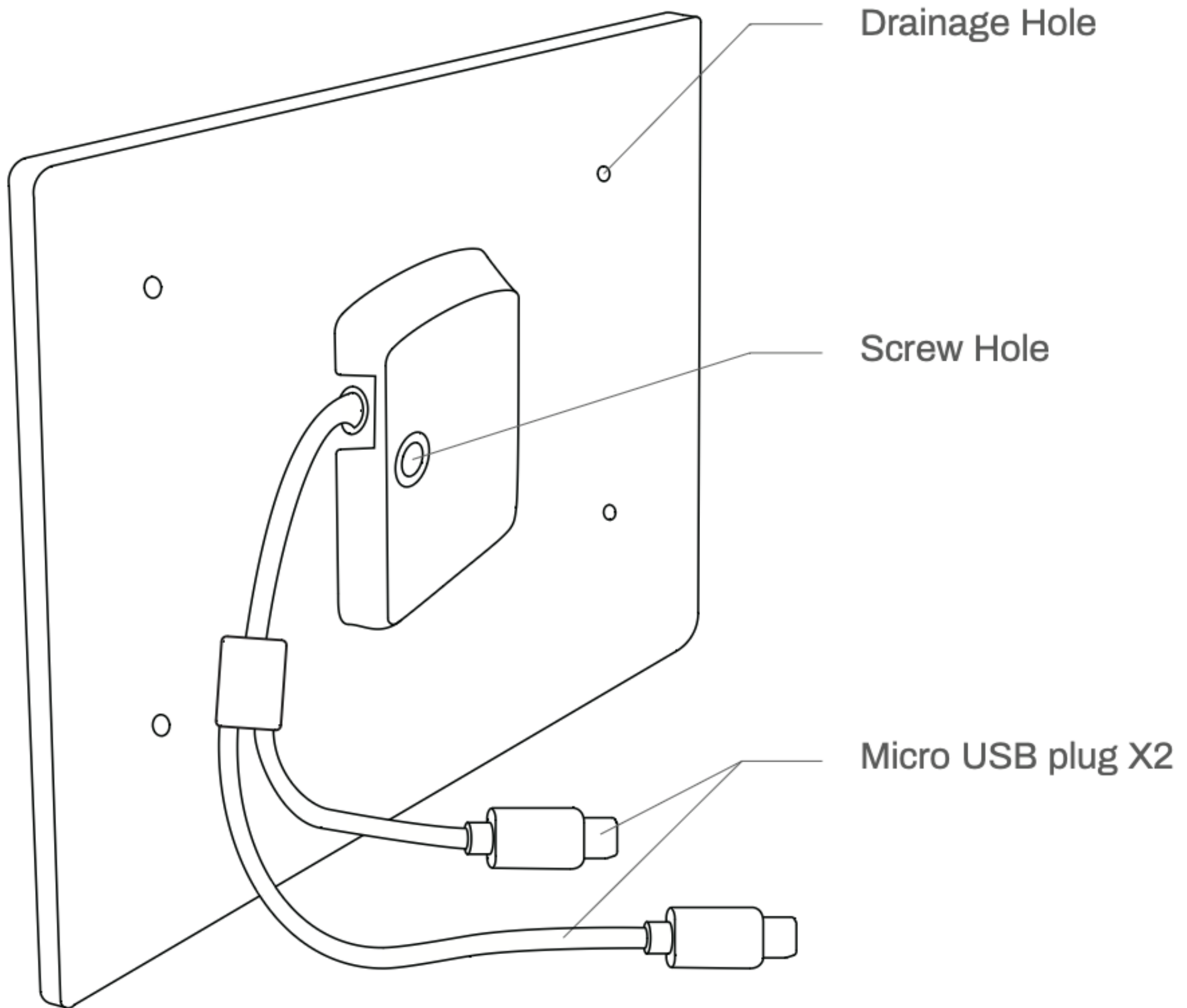
Coop Mounting
Bracket

Solar Panel Parameters

Working Temperatures:-4F ~ 185F	Number of Cells: 24PCS
Max Power Current: 534mA(+3%)	Max Power Voltage: 6V(+3%)
Max Power: 3.2W	Warranty: 2 years



Solar Panel Structure



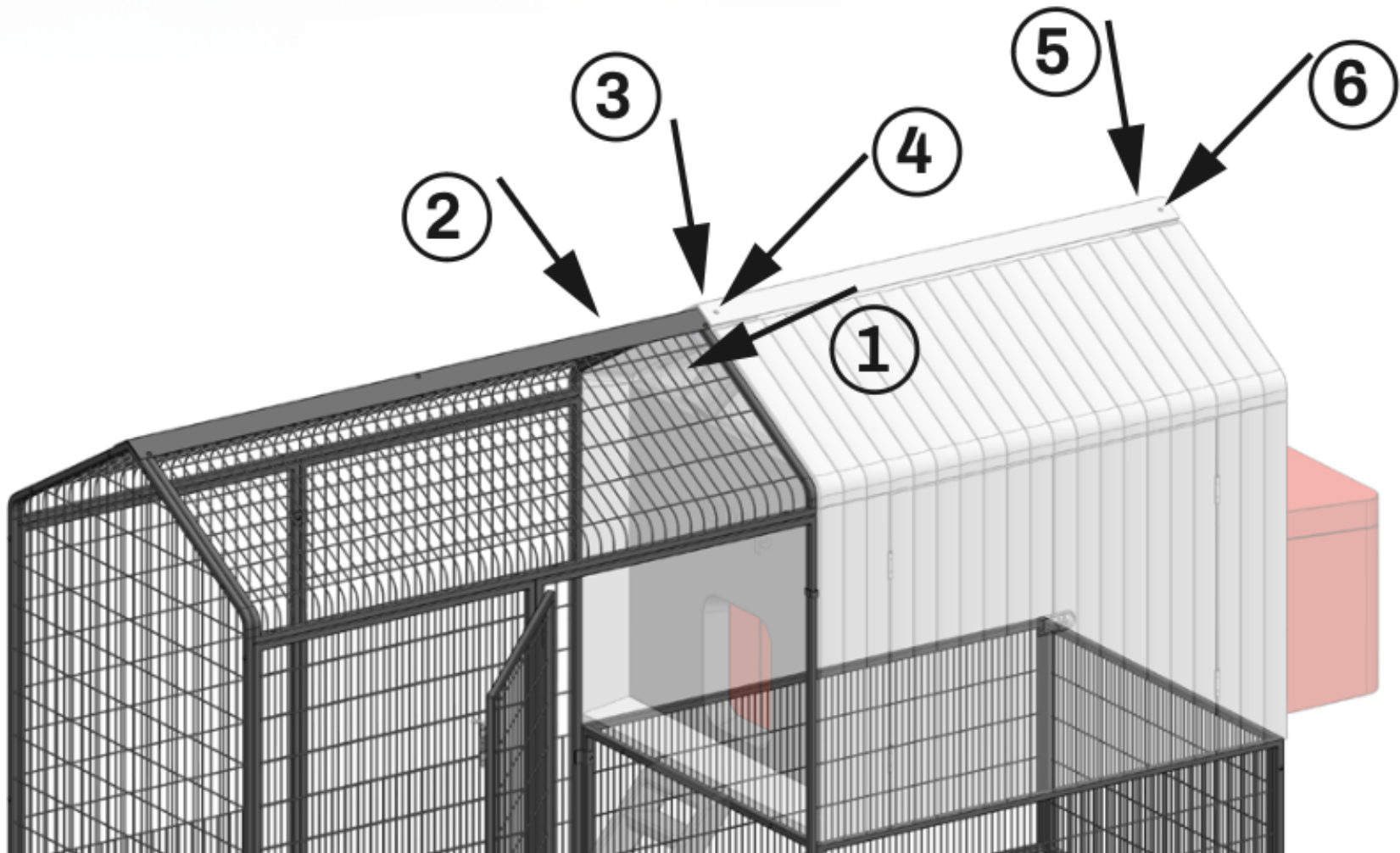
Installation On The Run

You can mount your Solar Panel in any of the following 6 locations. Select the spot that offers the best sun exposure during late morning and early afternoon to ensure your flock receives optimal energy.

Items needed

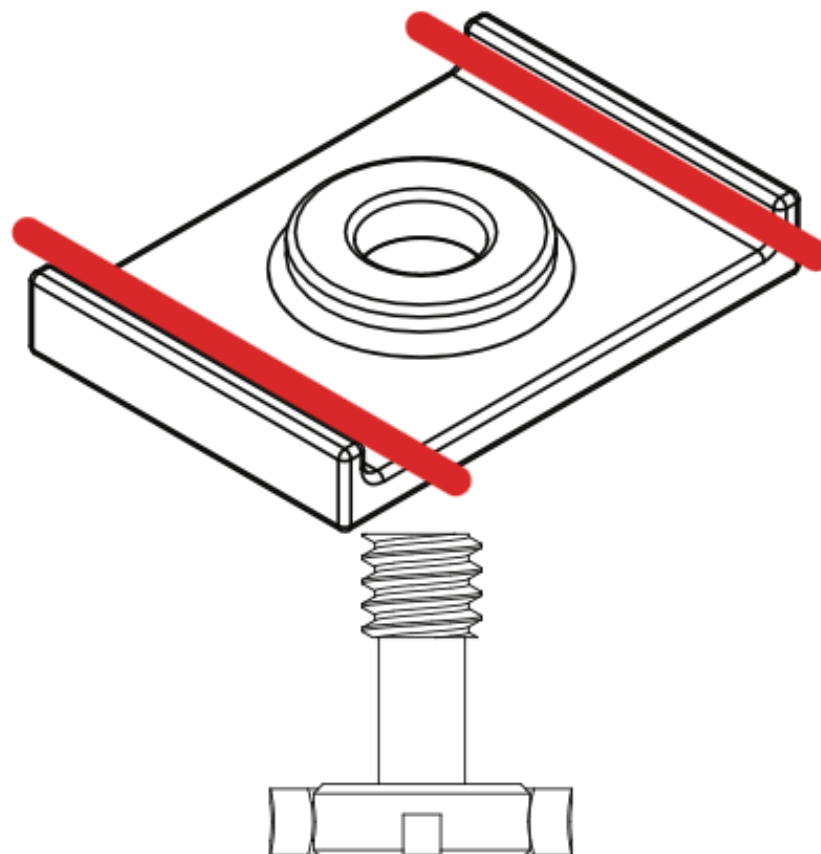
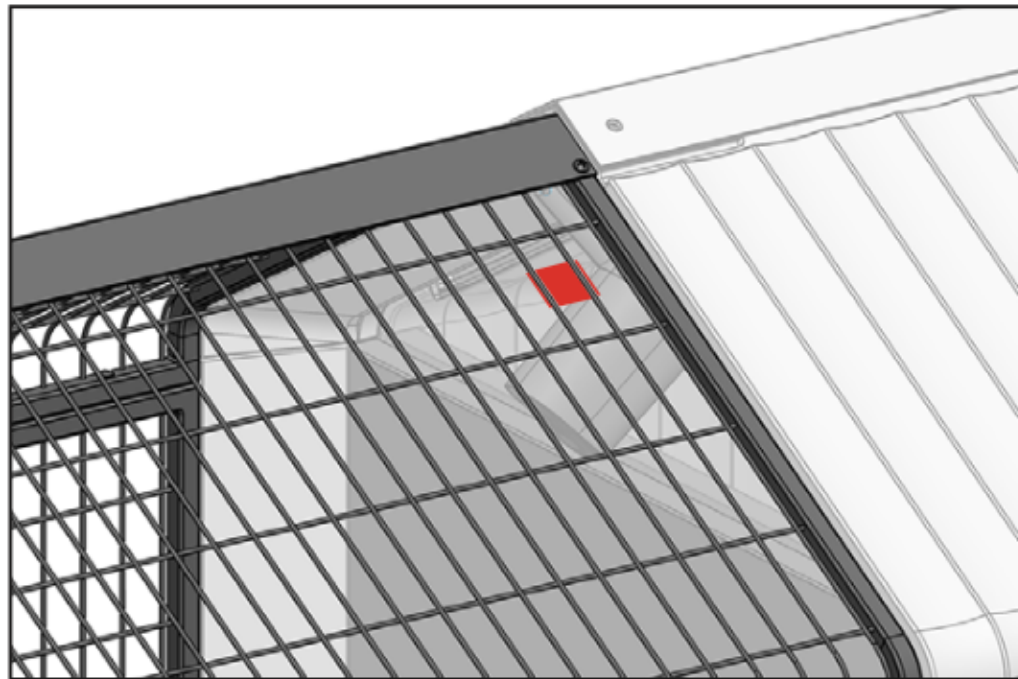
Locations 1-2: Flat Bracket, Mounting Screw

Locations 2-6: Coop Mounting Bracket, Flat Bracket, Mounting Screw



Step 1: Grab the Flat Bracket and clamp it in from the inside of the Run. Make sure it's snug in the second cell from the edge.

Step 2: Take the screw and insert it from the inside of the Run. Simply screw in so the threads are poke through.



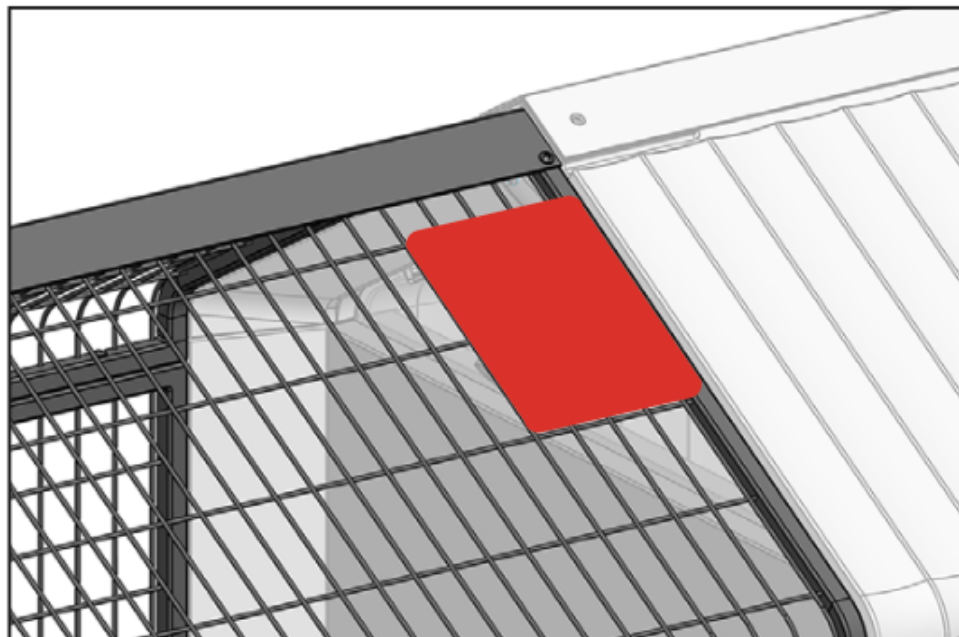
Step 3: Now, let's pop that Solar Panel into place. Head outside of the Run, and make sure the screw hole is facing down. on your Solar Panel. Slide it in, matching it up with the screw we just put in. Keep it in portrait orientation!

Step 4: Grab that D-ring and tighten up the screw on the Solar Panel until it's nice and snug. While you're at it, connect the Run Cam with the shorter cable.

Step 5: Time for the Coop roof. Take out those four screws holding the roof cap in place and lift it off carefully.

Step 6: Now, this part's a bit like threading a needle. Take the longer cable and weave it between the roof panels, right above where the halves connect. Then, bring it back down through the last vent hole into the Coop. Once it's inside, plug it into the Roost Cam.

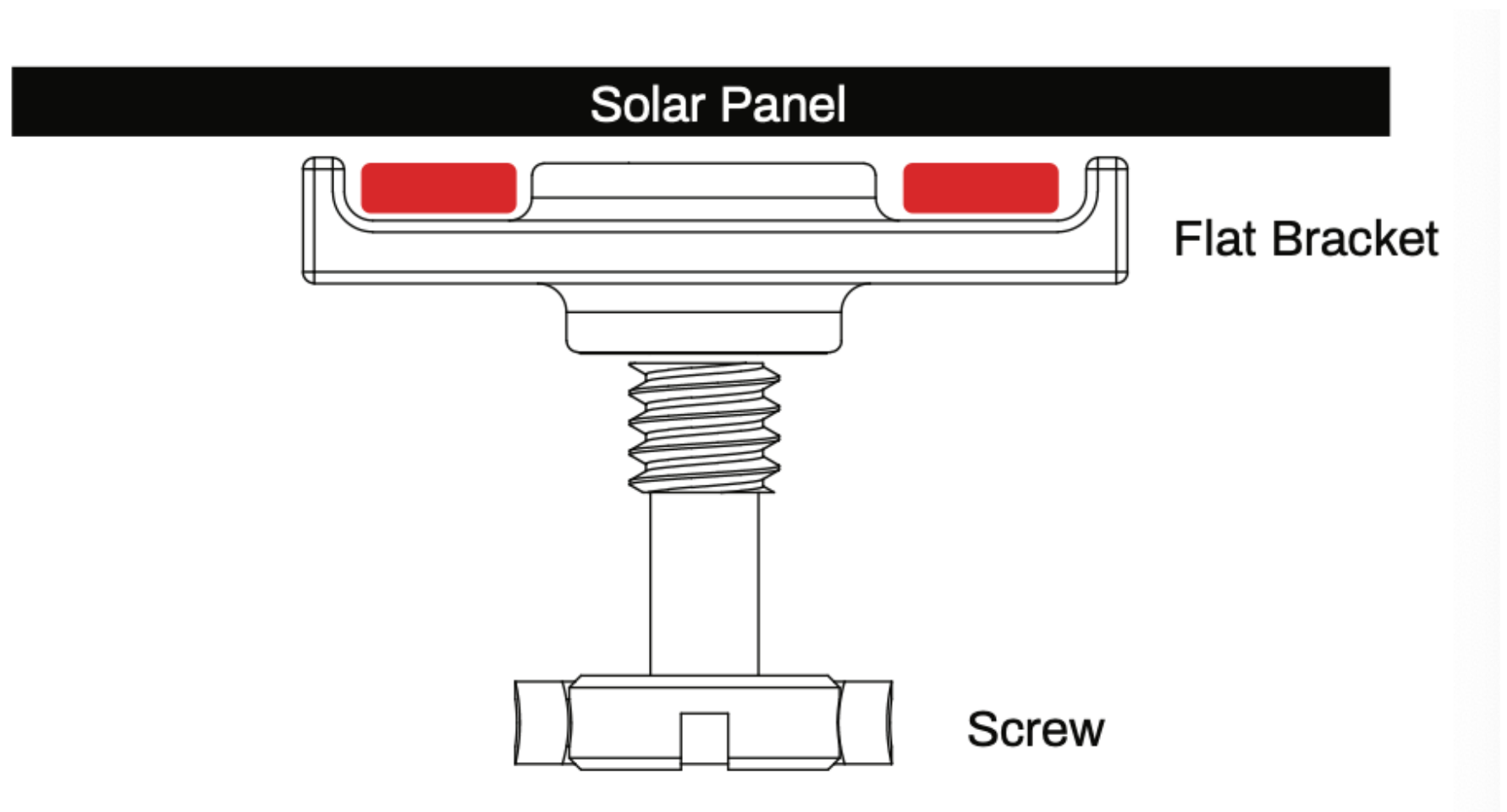
Step 7: Almost done! Put the roof cap back where it belongs and screw those four screws back in tight. And just like that, you're all set up!



Installation On The Coop

If you have a Coop without the Run, or just prefer having the Solar Panel directly on the Coop, here's how you can do it:

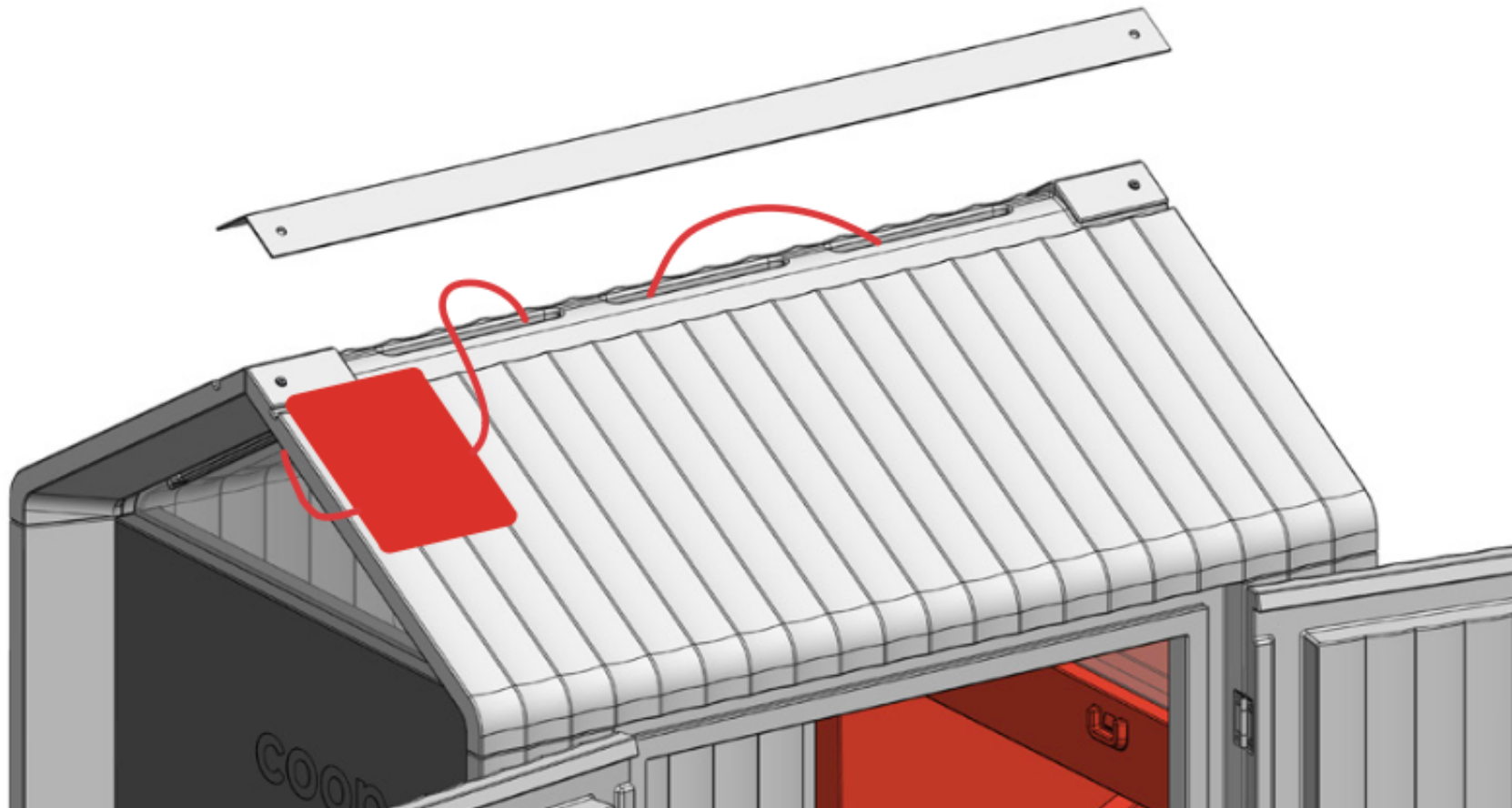
Step 1: Start by getting that Flat Bracket ready. Attach it snugly to the back of the Solar Panel, making sure the rails touch the panel and the screw is nice and tight. You'll want to see two narrow gaps between the bracket and the panel.



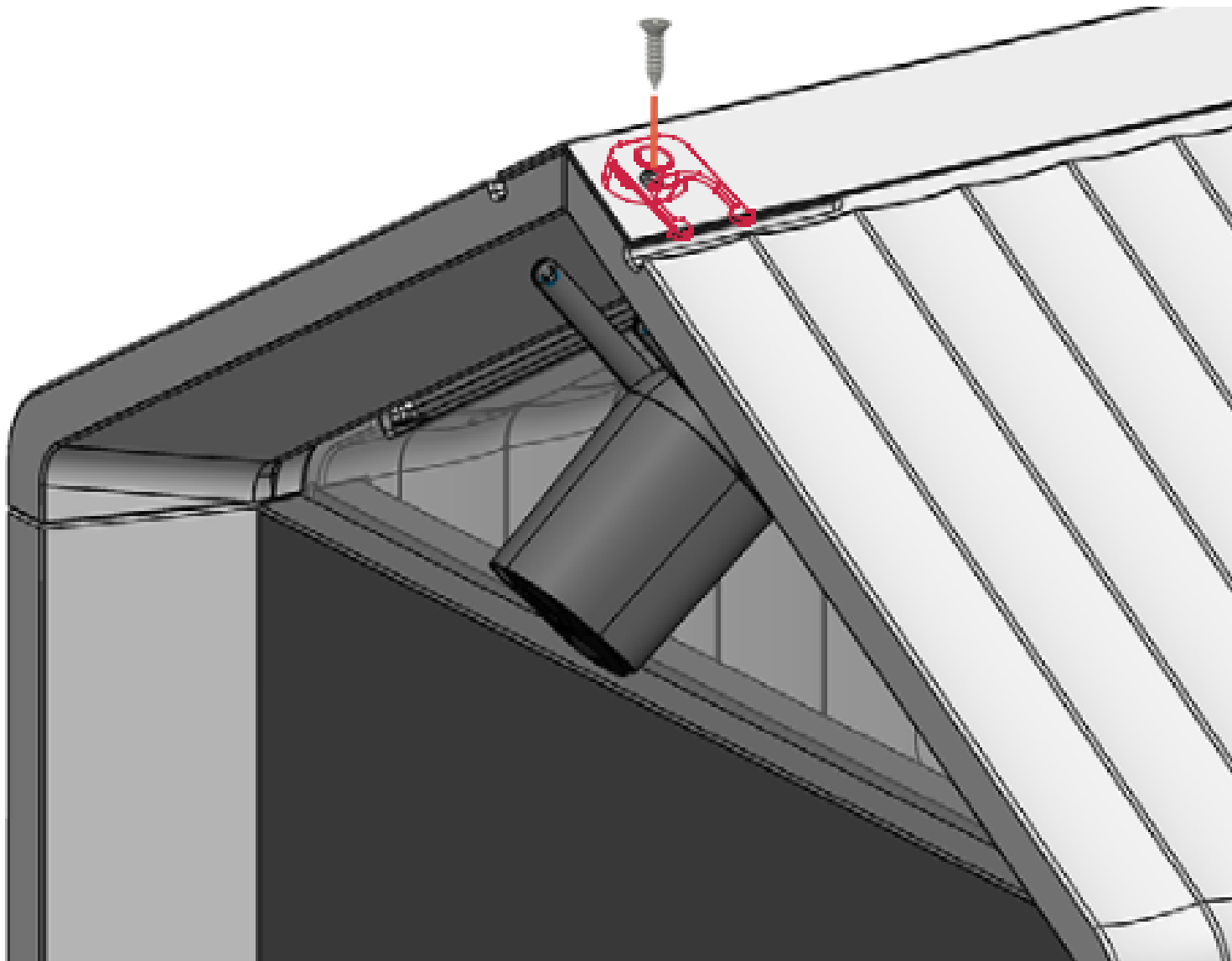
Step 2: Head up to the Coop roof and unscrew the four screws holding the roof cap in place. Lift off the cap carefully.

Step 3: Now, let's get that cable sorted. Thread the longer cable through the closest vent hole under the cap, then out through the second hole, and finally back in. Plug it into the roost cam, and don't forget to connect the short cable to the outer camera on the Front Window.

Step 4: Put the roof cap back on, and screw in three of the four screws nice and tight.

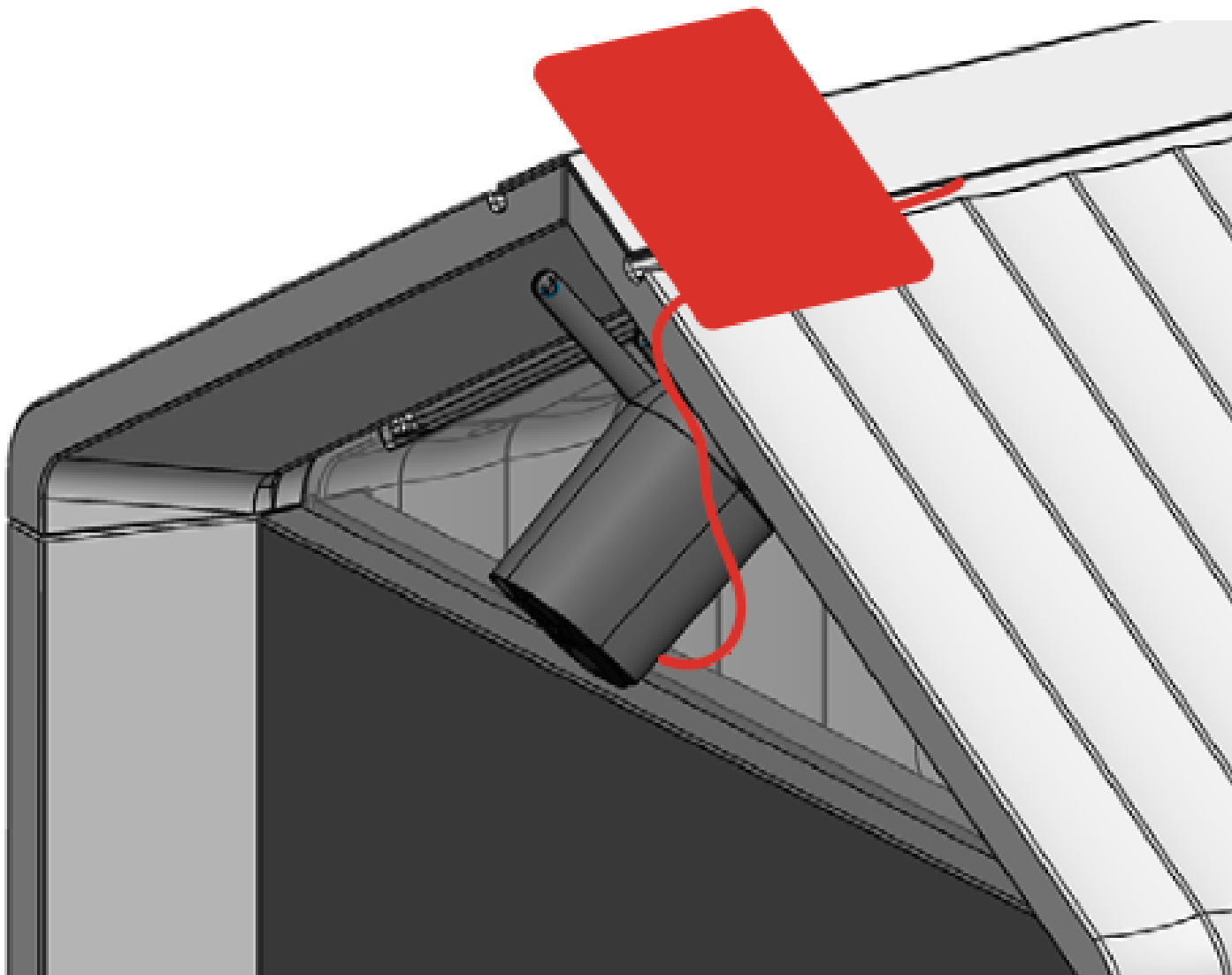


Step 5: Time to set up the Coop Mounting Bracket. Slide it over the last hole without a screw, and then drive a screw through the bracket's hole, securing it to the Coop Roof Panel.



Step 6: Now, grab that Solar Panel and slide it onto the claw-like tips of the Coop Mounting Bracket. Keep pushing until you hear a satisfying cluck—that means the panel is securely locked in place.

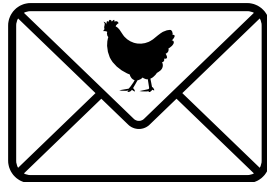
Remember, be gentle with those thin bracket tips! They can bend a bit as you attach them to the Solar Panel, but don't overdo it.



coop

You are now cluckin' on sunshine!

If you need any additional help while setting up your Coop, feel free to peck this way:



help@Coop.farm

www.Coop.farm
15807 Booth Circle, Volente, 78641 TX, U.S.A.
© Coop Inc.