

EDMONTON SCAFFOLDING
 READY TO SERVE YOU AT BOTH LOCATIONS!



INDEX



Scaffolding Frames	1
Multipurpose Scaffolds	2
Scaffold Decks/Planks	3
Screwjacks	4
Scaffold Accessories	5
Clamps	7
Outriggers & Brackets	8
Aluminum Pump Jack	9
Ladders & Sawhorses	11
Scaffolding Tools	13
Tool Bags, Aprons, & Pouches	14
Safety Harnesses & Lanyards	15
Insulated Tarps	17
Scaffold Wagons	18
System Scaffolding	19
Scaffold Tower Packages	20
Scaffold Models	21
Insulation	23
System Scaffolding Pricing	27
Scaffolding Pricing	33
Shoring Posts	37
Acrylic Mesh	39
Debris Mesh	40
Shrink Wrap	40
Membrane	41

Alberta Drywall

& Stucco Supply Inc.

6030 50th Street NW

Edmonton, AB

(780) 465-4239

Mon-Fri: 7am-5pm

Sat: 8am-12pm

Sun: Closed

albertadrywall.com



PIRANHA STUCCO SUPPLIES

WE TAKE A BITE OUT OF THE COMPETITION



6305 20th Street NW

Edmonton, AB

Andre Antoine

(780) 901-1645

Mon-Fri: 8am-4:30pm

Sat: 8am-12pm

Sun: Closed

piranhastucco.com



EDMONTON SCAFFOLDING

By Alberta Drywall

INSULATION
 Everything Edmonton



LADDERS "R" US





**WE HAVE EVERYTHING FOR YOUR
DRYWALL, SCAFFOLD, & STUCCO NEEDS AT
2 GREAT LOCATIONS**



- Scaffolding
- Drywall
- Taping Tools
- Stucco
- Materials
- Tool Storage/Belts
- Safety Accessories
- and SO much more!

Alberta Drywall

& Stucco Supply Inc.

6030 50th Street NW

Edmonton, AB

T6B 3C4

Monday - Friday

7am - 5 pm

Saturday

8 am - 12 pm

Sunday

Closed

www.albertadrywall.com

(780) 465-4239



PIRANHA STUCCO SUPPLIES

WE TAKE A BITE OUT OF THE COMPETITION

6305 20th Street NW

Edmonton, AB

T6P 0A1

Monday - Friday

8 am - 4:30 pm

Saturday

8 am - 12 pm

Sunday

Closed

www.piranhastucco.com

(780) 901-1645



**TexSpray GTX
2000EX Air-Powered
Texture Sprayer with
Graco Trigger Gun**



**Ultra Max II 595 PC
Pro Electric Airless
Sprayer, Lo-Boy**



**Graco Ultra Max II
495 PC Pro Electric
Airless Sprayer**



**Graco Mark IV
Texture Machine**



**Mark V HD 3-in-1
ProContractor Series
Electric Airless Sprayer**



**Graco Ultra Max II 695
ProContractor Series
Electric Airless Sprayer**



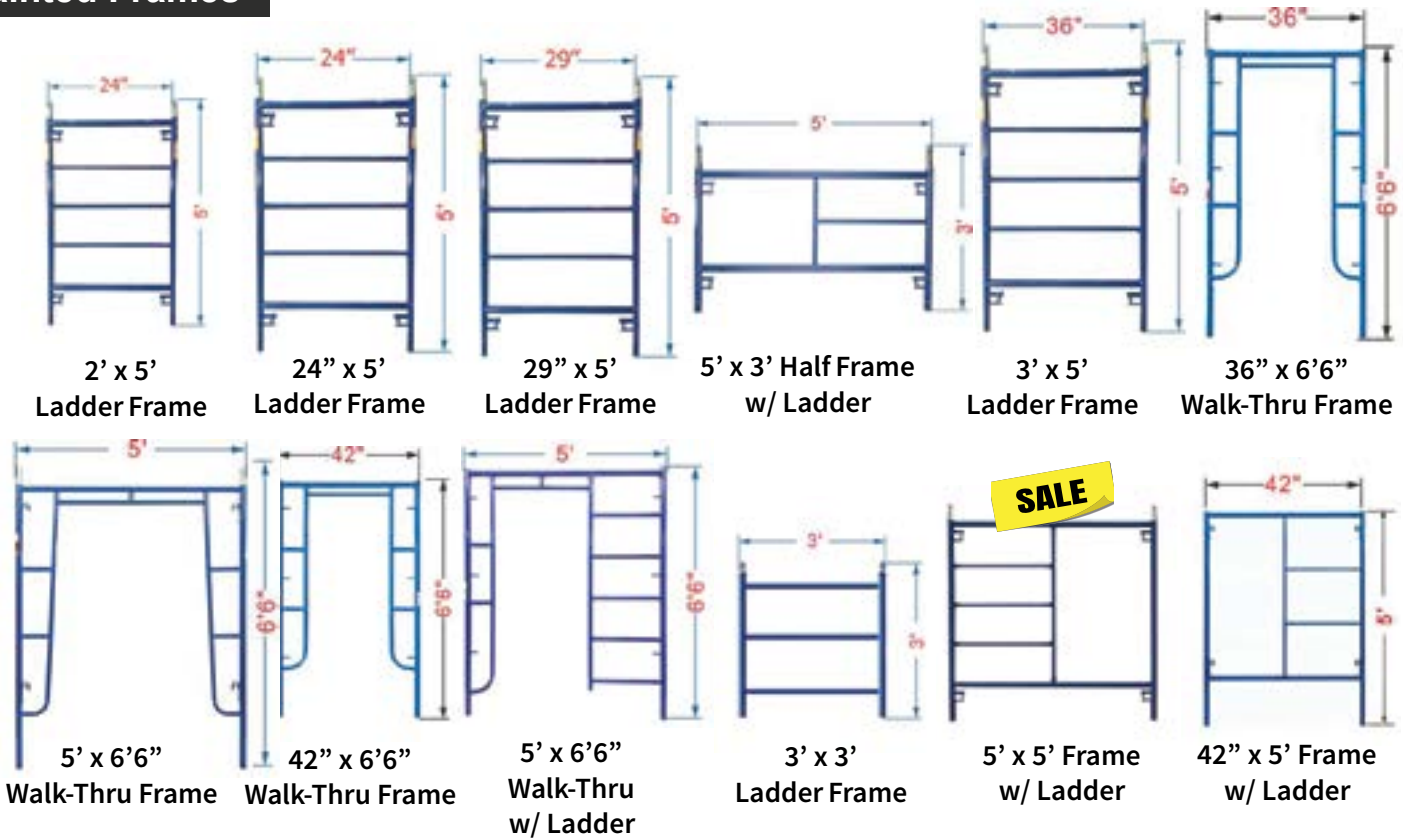
PIRANHA STUCCO SUPPLIES
WE TAKE A BITE OUT OF THE COMPETITION

New & Used Mixers

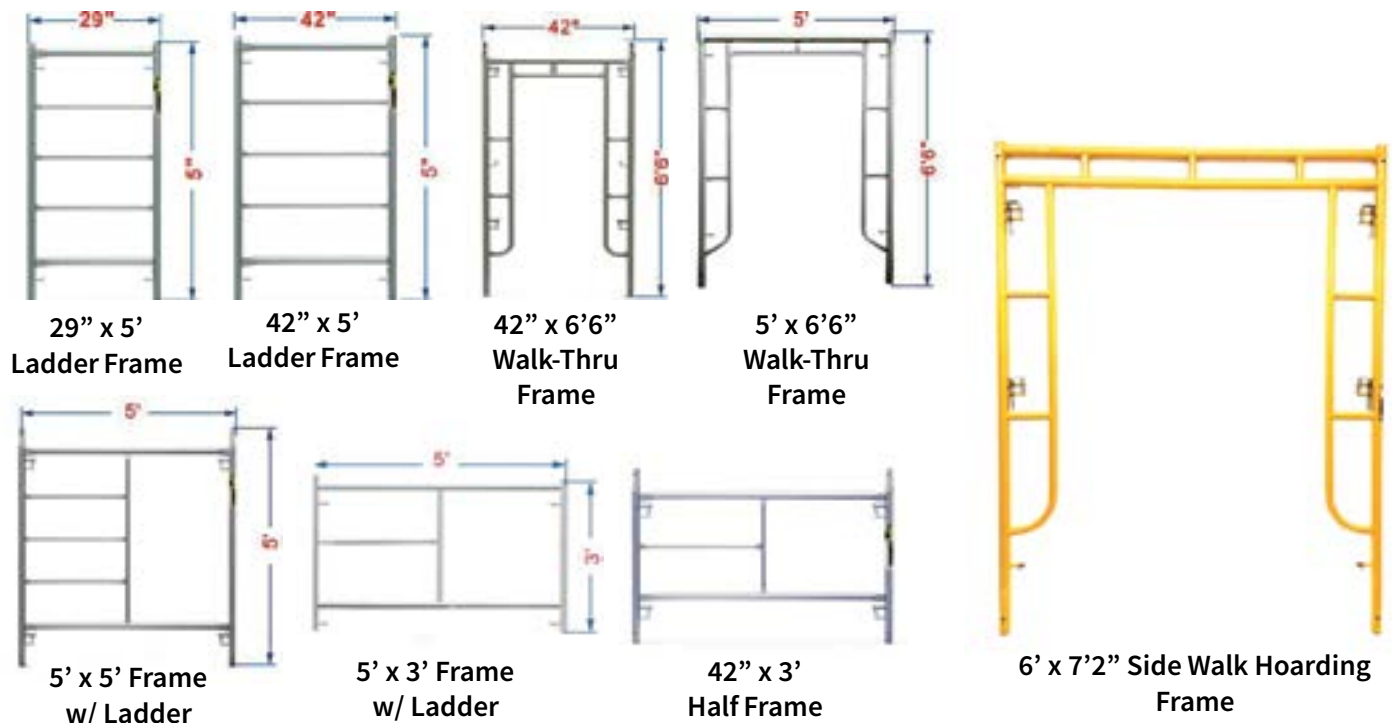


SCAFFOLDING FRAMES

Painted Frames



Galvanized Frames



See pages 33-34 for pricing, or give us a call (780) 465 4239

MULTIPURPOSE SCAFFOLDS



\$299.00

**Heavy Duty
Mini-Mobile Utility
Baker**



\$159.00

**Used 6' Baker
Scaffold**



\$319.00

**6' Baker Scaffold
With Trap Door**



\$99.00

**Swinging Scaffold
Gate**



\$229.00

Guardrail Kit



\$99.00

**Outrigger Kit
(4 pcs w/o wheels)**



\$275.00

**Extra Large Outrigger
4pcs**



\$99.00

**2' x 6' Hatch Deck
Replacement**



\$199.00

**Half Baker
Scaffold**



\$339.00

**6' Steel Folding
Mobile Scaffold**



\$425.00

**6' Aluminum Rolling
Tower Scaffold**



\$275.00

**6' Aluminum Folding
Mobile Scaffold**



\$24.99

**Castor Wheels
With Hollow
Square Stem**



\$29.99

**Castor Wheels
With Solid
Square Stem**



\$40.00

**Poly Castor
Wheel With
Round Stem**

6' Baker Scaffold Tower Package



reg. \$1,099.00

only \$899.00



Includes:

- Two 6' Baker Scaffolds with hatch deck
- Guard Rail Kit, including attached toe boards
- Outrigger Kit (4 pieces)



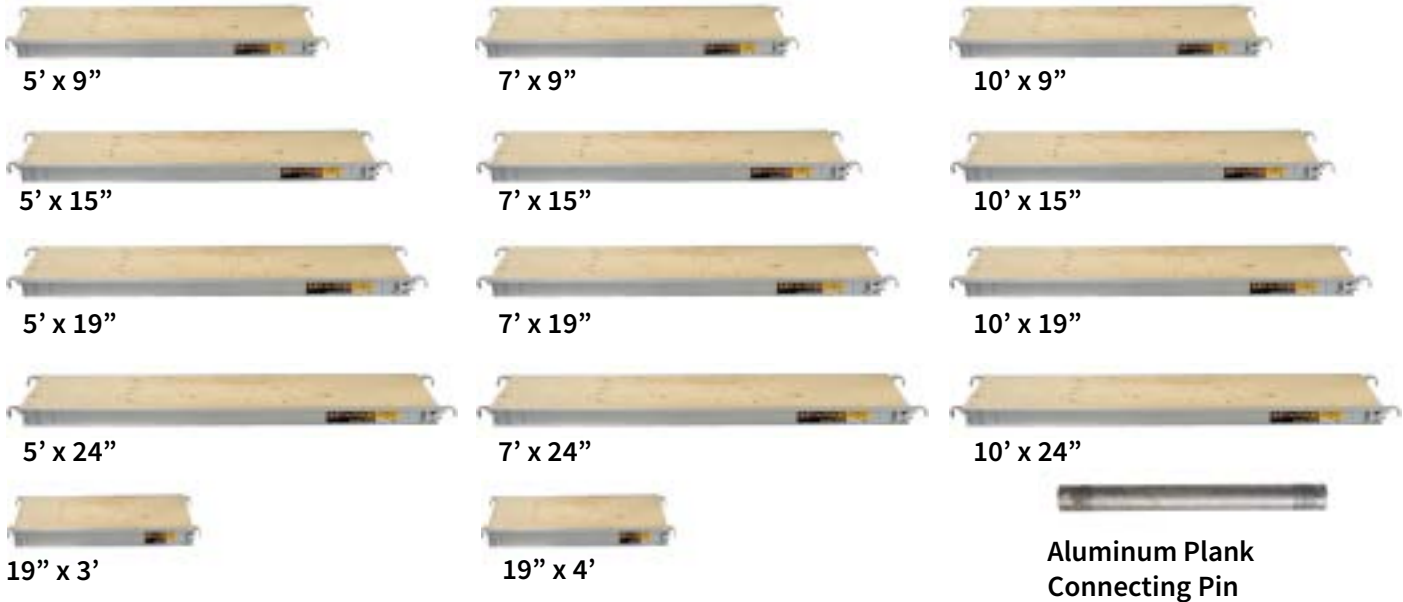
**We Buy
Used Scaffolding**

**Call
(780) 465-4239**

SCAFFOLD DECKS/PLANKS

Aluminum Plywood Decks - New & Used

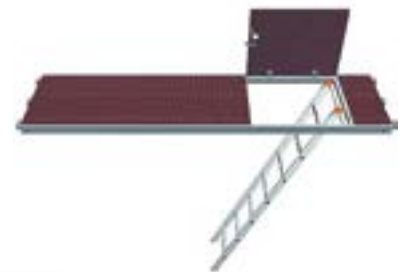
Our scaffold decks are designed and manufactured to meet or exceed C.S.A. Standards in Canada and the FED. O.S.H.A in the U.S.A.



Laminated Planks - New & Used

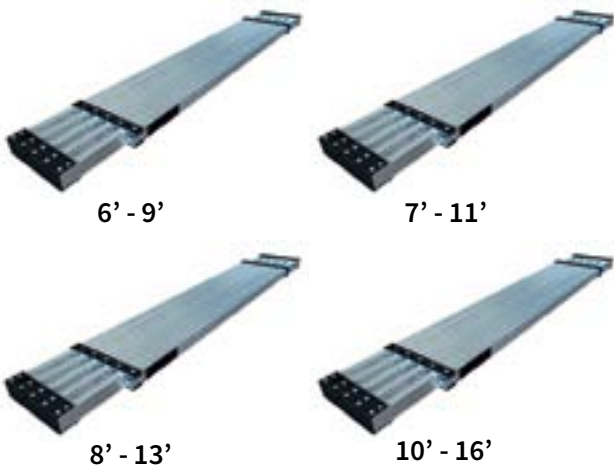
All types & sizes available in new and used.
Call us for pricing & availability (780) 465-4239

LP LVL H42 Scaffold Planks are manufactured to a uniform thickness to provide a flat working surface produces a consistent walking surface.



Extendable Aluminum Planks

**Aluminum Scaffold Deck
with Hatch & Ladder**



Scaffold Stairs

See pages 27,29 for pricing, or give us a call (780) 465 4239

SCREWJACKS



24"
Screwjack
Castor Holder



36"
Screwjack
Castor Holder



**We Buy
Used Scaffolding
Call
(780) 465-4239**



24" Screwjack with
Base



36" Screwjack with
Base



40" Screwjack with
Base



42" Screwjack with
Base



28" Castor Holder
Screwjack



24" Swivel
Screwjack



40" Swivel
Screwjack



24" U-Head
Screwjack



Base Plate
(Painted)



Swivel Base Plate
(Painted)



Base Plate
(Galvanized)



Swivel Base Plate
(Galvanized)

See pages 36, 37 for pricing, or give us a call (780) 465 4239

SCAFFOLD ACCESSORIES

*Bulk Pricing Available



Scaffold Plank
Replacement Hook
\$11.99



Square Loop Locking Pin
Medium & Large
M **\$1.99**
L **\$3.99**



Coupling Pins
\$5.99



Large Hoarding
Clamp
\$15.99



Round Loop
Locking Pin
\$1.99



Pig Tail Pin
\$1.99



Spring Clip
\$0.49



Toggle Pin
\$1.99



Angle Iron Brackets
*Phone for
Pricing



Aluminum Beam
*Phone for
Pricing



Scaffold Safety Tags
\$0.99



Scaffold Safety Tags
\$1.99



Hoist Post/Gin Pulley
Kit
\$219.00



Scaffold Hoist & Pulley
System
\$219.00



\$49.99 Large Angle Bracket
\$49.99 Gin Wheel Pulley
Pulley Rope
25', 50', 75', & 100'

SCAFFOLD ACCESSORIES



Aluminum Tubes
*Price per lineal ft.
*Phone for
Market Pricing



Scaffold Tie-In Hook



Pole Connector w/ Hook



3' Pole w/
Scaffold High Pole Clip



Guard Post
\$27.99



Guard Rail Post
\$37.50



Hook for High Pole
Clip

High Pole Clip

Tie-In Clip



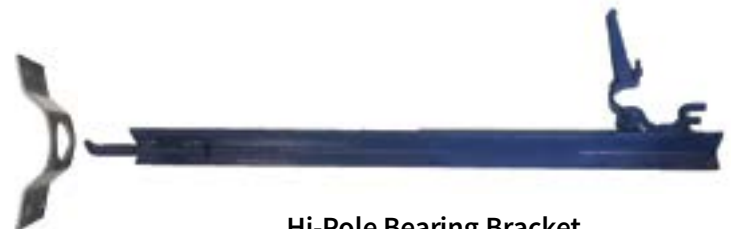
Guard Rail
Post w/ Hook
\$29.99



Guard Rail Post
w/ extended leg
\$37.50



High Pole w/ Hook



Hi-Pole Bearing Bracket
w/ hook

CLAMPS

We stock the best brand name products



Thiel Tube - Frame Swivel Clamp

NEW	\$14.25
USED	\$7.12



Thiel Tube - Frame Clamp

NEW	\$11.30
USED	\$5.65



Thiel Tube - Tube Swivel Clamp

NEW	\$14.25
USED	\$7.12



Thiel Tube - Tube Right Angle Clamp

NEW	\$11.30
USED	\$5.65



Swivel Beam Clamp
\$12.99



Beam Clamp
\$11.99



Half Clamp
\$9.99



Tube - Tube Connector
\$14.99



Large Hoarding Clamp
\$15.99



Saddle Bracket
\$27.50



Rosette Clamp
\$19.99



Wedge Clamp
\$14.99

OUTRIGGERS & BRACKETS



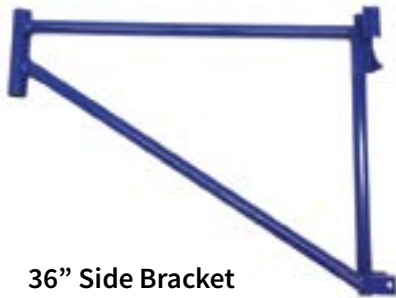
48" Side Bracket
(fits 3 decks)



XL Baker Outrigger



Outrigger with
Clamps



36" Side Bracket
(fits 2 decks)



End Side Bracket



Side Bracket



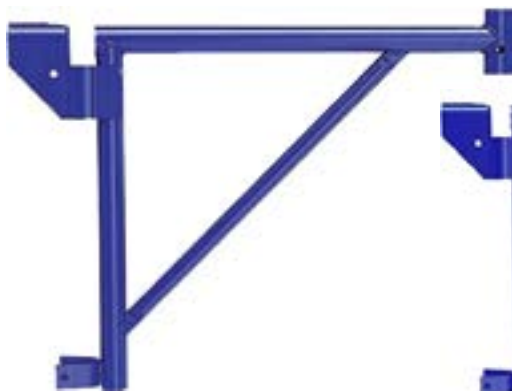
12" Bracket (fits 1
laminated plank)



Round Edge
Bracket



Extra Heavy Duty
5 x 5 Outrigger



42" Bracket



30" Bracket



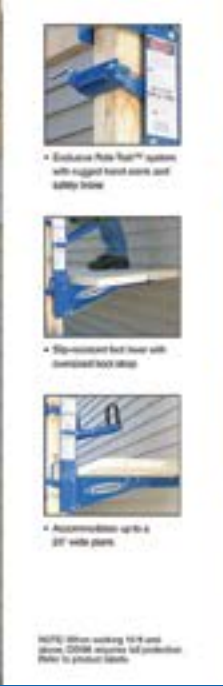
24" Brackets



20" Brackets

See pages 30,36 for pricing, or give us a call (780) 465 4239

Prices are subject to change. Please call to confirm pricing.



- ✓ **VERSATILE**
- ✓ **DEPENDABLE**
- ✓ **EASY TO OPERATE**

QUALITY FIRST



SALE
Aluminum Pump Jack
\$225.00
Reg \$319.00



Pump Jack Work Bench
\$120.00



Pump Jack Pole Connector
\$115.00



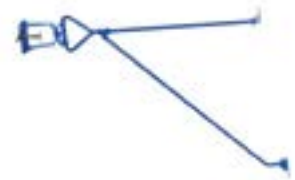
Pump Jack Pole Foot
\$9.99/foot
\$35.99/4pk



Pump Jack Pole Anchor
\$29.99



Pump Jack Support Brace
\$75.00



Foldable Support Brace
\$75.00



Pump Jack Narrow End Rail Kit
\$180.00



Pump Jack Wide End Rail Kit
\$198.90



Aluminum Pump Jack Safety Net
\$375.00

Pump Jacks, Poles and Stages



Aluminum Pump Jack Poles

Item #	Description	Price
PJ-6PCA	6' Aluminum Pump Jack Pole	\$ 140.00
PJ-12PCA	12' Aluminum Pump Jack Pole	\$ 275.00
PJ-18PCA	18' Aluminum Pump Jack Pole	\$ 400.00
PJ-24PCA	24' Aluminum Pump Jack Pole	\$ 525.00



2-Man Stage
Connecting Pin

2-Man Stages - Rated for 500 lbs.

Item #	Description	Price
2316CA	2-Man Stage (12" x 16')	\$ 440.00
2320CA	2-Man Stage (12" x 20')	\$ 720.00
2324CA	2-Man Stage (12" x 24')	\$ 890.00
2328CA	2-Man Stage (12" x 28')	\$ 1750.00
2332CA	2-Man Stage (12" x 32')	\$ 1900.00
2408CA	2-Man Stage (14" x 8')	\$ 290.00
2416CA	2-Man Stage (14" x 16')	\$ 570.00
2420CA	2-Man Stage (14" x 20')	\$ 800.00
2424CA	2-Man Stage (14" x 24')	\$ 1900.00
2508CA	2-Man Stage (20" x 8')	\$ 375.00
2512CA	2-Man Stage (20" x 12')	\$ 480.00
2516CA	2-Man Stage (20" x 16')	\$ 747.00
2520CA	2-Man Stage (20" x 20')	\$ 1025.00
2524CA	2-Man Stage (20" x 24')	\$ 1300.00
2532CA	2-Man Stage (20" x 32')	\$ 2400.00



Nestable 2-Man Stages - Rated for 500 lbs.

Item #	Description	Price
WNS-2412CA	2-Man Stage (14" x 12')	\$ 460.00
WNS-2416CA	2-Man Stage (14" x 16')	\$ 760.00
WNS-2420CA	2-Man Stage (14" x 20')	\$ 840.00
WNS-2424 CA	2-Man Stage (14" x 24')	\$ 1050.00
WNS-2512CA	2-Man Stage (20" x 12')	\$ 435.00
WNS-2516CA	2-Man Stage (20" x 16')	\$ 650.00
WNS-2520CA	2-Man Stage (20" x 20')	\$ 850.00
WNS-2524CA	2-Man Stage (20" x 24')	\$ 1050.00



LADDERS & SAWHORSES



Flat Top Hinges
\$36.99



Top Hinges
\$36.99



Sawhorse Feet
\$35.99



Sawhorse Spreader
\$29.00 - 39.00



**6FT MUSTANG
SAWHORSE**

**WE ALSO
CARRY 8' &
10' MUSTANG
SAWHORSES**



**Mustang Aluminum
Sawhorses**

2 ft	\$89.99
2.5 ft	\$108.75
3 ft	\$132
4 ft	\$166
5 ft	\$214
6 ft	\$258
7 ft	\$310
8 ft	\$360
10 ft	\$420



**Flat-Top Aluminum
Sawhorses**

2 ft	\$107
2.5 ft	\$130
3 ft	\$150
4 ft	\$190



**Fiberglass Step
Ladders**

6103	3'	\$90
6104	4'	\$109
6105	5'	\$120
6106	6'	\$149
6107	7'	\$170
6108	8'	\$200
6110	10'	\$255
6112	12'	\$315

LADDERS AND SAWHORSES



Aluminum Extension Ladders

D1216-2	16'	\$174
D1220-2	20'	\$215
D1224-2	24'	\$262
D1228-2	28'	\$364
D1232-2	32'	\$427
D1236-2	36'	\$495
D1240-2	40'	\$574



Fiberglass Extension Ladders

D6216-2	16'	\$249.50
D6220-2	20'	\$295
D6224-2	24'	\$345
D6228-2	28'	\$398
D6232-2	32'	\$460
D6236-2	36'	\$550
D6240-2	40'	\$650

WE ALSO SELL USED LADDERS



SCAFFOLDING TOOLS

Magnetic Torpedo Levels

These magnetic torpedo levels use rare-earth magnets for durable and steady hands-free use!

		
Johnson's Magnetic Torpedo \$79.99	ROK Die Cast \$29.99	OX Pro Series \$66.50
		
SOLA Die Cast \$79.99	ROK Die Cast 3-Vial \$42.99	Milwaukee Billet \$
		
Stabila Level with Protractor \$109.99	Stabila Die Cast \$57.20	Stabila Die Cast 3-Vial \$85.99

Hammers

			
TASK Framing Hammer \$57.50	Stanley FatMax Hammer \$64.19	DeWALT Hammer \$77.50	Stiletto Ti-Bone Mini 14 \$319.00

Nippers

			
TASK Nipper Pliers \$39.99	Milwaukee End Cutting Nippers \$39.99	OX 8" End Cutting Nippers \$52.99	OX Narrow Head End Cutting Nippers \$69.99

Other Tools

			
DeWALT Linesman Pliers \$36.50	Self-Retracting Knife \$13.99	Milwaukee 35ft Tape Measure \$41.99	STANLEY FatMax Self-Leveling Laser Plumb Bob \$69.99

Speed Wrenches \$19.99-\$29.99

							
(Blue)	(Green)	(Red)	(Black)	(Yellow)	(Silver-Short)	(Silver-Long)	Scaffolding Crescent Wrench 12" \$85.99

TOOL BAGS, APRONS, & POUCHES



Hammer Pouch
\$46.99



Tool Pouch Small
\$23.99



Tape Measure Pouch
\$39.99



Level Pouch
\$29.99



Nippers Pouch
\$70.99



Hammer Pouch
\$29.99



Back Support Insert
\$39.99



Multi-Use / All Trades Pouch
\$65.50



Leather Tool Belt Brown 3 Pouch \$99.99

- Tape Measure Pouch
- Nipper Pouch
- Hammer Pouch

Leather Tool Belt Black 3 Pouch \$179.99

- All Purpose Pouch **\$79.99**
- Nail Pouch **\$32.99**
- Hammer Pouch **\$29.99**



**Scaffolding
 Tool Pouch**

SAFETY HARNESSES & LANYARDS



3M 1030 Saturn
Harness



3M DBI-SALA Delta
Vest-Style Harness



3M PROTECTA PRO
Vest-Style Harness



Honeywell Miller
Revolution Harness



Elk River Harness
With Quick Connect



Safety Direct Full
Body Harness



Honeywell North
Rite-On Full Body
Harness



TWXpert Full Body
Harness

Browse our incredible selection of NEW and USED harnesses, lanyards, and safety accessories.

Our huge variety of stock can almost guarantee you'll find something you need!



3M DBI-SALA
Twin Leg Anchor
Connector



PYTHON TOOLS
HEIGHT Adjustable
Wrist Band



MSA Dyna-Lock
Self-Retracting
Lanyard



3M DBI-SALA Delta
Tongue Buckle Belt



3M DBI-SALA Nano-Lok Self
Retracting Lanyard



3M DBI-SALA EZ Stop 2
Twin Leg Tie-Back Shock
Absorbing Lanyard



3M DBI-SALA EZ-Stop 100%
Tie-Off Lanyard



3M DBI-SALA EZ-Stop 100%
Tie-Off Shock Absorbing
Lanyard



3M DBI-SALA Hook2Loop Tool
Tether



Vertical Lifeline - Snap Hook
& Back Splice - 50 ft, 75 ft, or
100 ft

INSULATED TARPS



Used Insulated Tarps 12 x 20

Fabric Weight: 75gsm
Foam Thickness: 4mm

Perimeter edges cuffed and double stitched

\$55.99



NEW Insulated Tarps
12' x 20' (Orange)
\$79.99



NEW Insulated Tarps
12' x 20' (White)
\$79.99



NEW Insulated Tarps
12' x 24' (white)
\$89.99



NEW Insulated Tarps
12' x 24' (Black)
\$99.99



Large Hoarding Clamp
\$15.99



Non-Insulated Tarps

Item #	Size	Item #	Size
T004116-68	6' x 8'	T004122	12' x 24'
T004116-810	8' x 10'	T004123	15' x 20'
T004116	9' x 12'	T004130	20' x 20'
T004119-1016	10' x 16'	T004131	20' x 24'
T004119	10' x 20'	T004132	20' x 30'
T004118	12' x 16'	T004141	30' x 50'

SCAFFOLD WAGONS









**Used
Scaffold Wagons**

**Starting at
\$799.00**









SYSTEM SCAFFOLDING

Standard

- 0.5m w/ spigot 
- 0.5m w/o spigot 
- 1.0m 
- 1.5m 
- 2.0m 
- 3.0m 





Ledger

- 0.65m - 2'2" 
- 0.91m - 3' 
- 1.15m - 3'10" 
- 1.57m - 5'2" 
- 2.13 - 7' 
- 3.048m - 10' 

Double Ledger

- 2.13m - 7' 
- 3.048m - 10' 

Bay Brace

- 1.15m - 3'10" 
- 1.57m - 5'2" 
- 2.13m - 7' 
- 3.048m - 10' 

Steel Planks

- 4' 
- 5'2" 
- 7' 
- 10' 



Stair Ledger

Stair Stringer

Ladder Bracket

Screwjack Base Plate

Stair Tread

Ladder 3' & 5'

SCAFFOLD TOWER PACKAGES

7' & 10' Scaffold Tower Package With Leveling Jacks

7' Wide Platform includes:

- Four 5' x 5' Frames
- Four 7' x 4' Braces
- Four Screw Jacks
- Three 19" x 7' Decks
- 8 Toggle Pins
- 8 Coupling Pins
- 4 Guard Rail Posts
- Four 5' Guard Rails
- Four 7' Guard Rails



10' Wide Platform includes:

- Four 5' x 5' Frames
- Four 10' x 4' Braces
- Four Screw Jacks
- Two 19" x 10' Decks
- One 15" x 10' Deck
- 8 Toggle Pins
- 8 Coupling Pins
- 4 Guard Rail Posts
- Four 5' Guard Rails
- Four 10' Guard Rails

7' & 10' Scaffold Tower Package With 8" Castors

7' Wide Platform includes:

- Four 5' x 5' Frames
- Four 7' x 4' Braces
- Four 8" Castors
- Three 19" x 7' Decks
- 8 Toggle Pins
- 8 Coupling Pins
- 4 Guard Rail Posts
- Four 5' Guard Rails
- Four 7' Guard Rails



10' Wide Platform includes:

- Four 5' x 5' Frames
- Four 10' x 4' Braces
- Four 8" Castors
- Two 19" x 10' Decks
- One 15" x 10' Deck
- 8 Toggle Pins
- 8 Coupling Pins
- 4 Guard Rail Posts
- Four 5' Guard Rails
- Four 10' Guard Rails

SCAFFOLD MODELS

Model 1



Basic Package:

- 2 pcs - 3' x 5' Frames
- 2 pcs - 4' x 7' Cross Braces
- 4 pcs - 8" Castor Wheels
- 1 pc - 7' x 19" Deck

Guard Rail Safety Package:

- 4 pcs - Guard Rail Posts
- 4 pcs - 7' Guard Rails
- 4 pcs - 3' Guard Rails
- 4 pcs - Coupling Pins
- 8 pcs - Toggle Pins

Model 2



Basic Package:

- 2 pcs - 3' x 5' Frames
- 2 pcs - 4' x 7' Cross Braces
- 4 pcs - 8" Castor Wheels
- 2 pcs - 7' x 19" Deck
- 4 pcs - Coupling Pins

Guard Rail Safety Package:

- 4 pcs - Guard Rail Posts
- 4 pcs - 7' Guard Rails
- 4 pcs - 3' Guard Rails
- 4 pcs - Coupling Pins
- 8 pcs - Toggle Pins
- 2 pcs - Outriggers

Model 3



Basic Package:

- 2 pcs - 5' x 5' Frames
- 2 pcs - 4' x 10' Cross Braces
- 4 pcs - 8" Castor Wheels
- 1 pc - 10' x 19" Deck

Guard Rail Safety Package:

- 4 pcs - Guard Rail Posts
- 4 pcs - 10' Guard Rails
- 4 pcs - 5' Guard Rails
- 4 pcs - Coupling Pins
- 8 pcs - Toggle Pins

Model 4



Basic Package:

- 4 pcs - 5' x 5' Frames
- 4 pcs - 4' x 7' Cross Braces
- 4 pcs - 8" Castor Wheels
- 2 pcs - 7' x 19" Deck
- 4 pcs - Coupling Pins

Guard Rail Safety Package:

- 4 pcs - Guard Rail Posts
- 4 pcs - 7' Guard Rails
- 4 pcs - 5' Guard Rails
- 4 pcs - Coupling Pins
- 8 pcs - Toggle Pins
- 2 pcs - Outriggers

Model 5



Basic Package:

- 6 pcs - 5' x 5' Frames
- 6 pcs - 4' x 7' Cross Braces
- 4 pcs - 8" Castor Wheels
- 2 pcs - 7' x 19" Deck
- 8 pcs - Coupling Pins

Guard Rail Safety Package:

- 4 pcs - Guard Rail Posts
- 4 pcs - 7' Guard Rails
- 4 pcs - 5' Guard Rails
- 4 pcs - Coupling Pins
- 8 pcs - Toggle Pins
- 2 pcs - Outriggers

Model 6



Basic Package:

- 4 pcs - 5' x 5' Frames
- 2 pcs - 5' x 3'
- 4 pcs - 4' x 7' Cross Braces
- 2 pcs - 2' x 7' Cross Braces
- 4 pcs - 8" Castor Wheels
- 2 pcs - 7' x 19" Deck
- 8 pcs - Coupling Pins

Guard Rail Safety Package:

- 4 pcs - Guard Rail Posts
- 4 pcs - 7' Guard Rails
- 4 pcs - 5' Guard Rails
- 4 pcs - Coupling Pins
- 8 pcs - Toggle Pins
- 2 pcs - Outriggers

SCAFFOLD MODELS

Model 7



Basic Package:

- 2 pcs - 5' x 6'6" Frames
- 2 pcs - 4' x 7' Cross Braces
- 4 pcs - 8" Castor Wheels
- 1 pc - 7' x 19" Deck

Guard Rail Safety Package:

- 4 pcs - Guard Rail Posts
- 4 pcs - 7' Guard Rails
- 4 pcs - 5' Guard Rails
- 4 pcs - Coupling Pins
- 8 pcs - Toggle Pins

Model 8



Basic Package:

- 2 pcs - 5' x 5' Frames
- 2 pcs - 4' x 7' Cross Braces
- 4 pcs - 8" Castor Wheels
- 2 pcs - 7' x 19" Deck

Guard Rail Safety Package:

- 4 pcs - Guard Rail Posts
- 4 pcs - 7' Guard Rails
- 4 pcs - 5' Guard Rails
- 4 pcs - Coupling Pins
- 8 pcs - Toggle Pins

Model 9



Basic Package:

- 2 pcs - 5' x 6'6" Frames
- 2 pcs - 4' x 10' Cross Braces
- 4 pcs - 8" Castor Wheels
- 2 pcs - 10' x 19" Deck

Guard Rail Safety Package:

- 4 pcs - Guard Rail Posts
- 4 pcs - 10' Guard Rails
- 4 pcs - 5' Guard Rails
- 4 pcs - Coupling Pins
- 8 pcs - Toggle Pins

Model 10



Basic Package:

- 2 pcs - 5' x 3" Half Frames
- 2 pcs - 2' x 7' Cross Braces
- 4 pcs - 16" Aircraft Tires
- 1 pc - 7' x 19" Deck

Guard Rail Safety Package:

- 4 pcs - Guard Rail Posts
- 4 pcs - 7' Guard Rails
- 4 pcs - 5' Guard Rails
- 4 pcs - Coupling Pins
- 8 pcs - Toggle Pins

Model 11



Basic Package:

- 6 pcs - 5' x 5' Frames
- 6 pcs - 4' x 7'10" Cross Braces
- 4 pcs - 8" Castor Wheels
- 2 pcs - 10' x 19" Deck
- 8 pcs - Coupling Pins

Guard Rail Safety Package:

- 4 pcs - Guard Rail Posts
- 4 pcs - 10' Guard Rails
- 4 pcs - 5' Guard Rails
- 4 pcs - Coupling Pins
- 8 pcs - Toggle Pins

Model 12



Basic Package:

- 2 pcs - 5' x 5' Frames
- 2 pcs - 5' x 3'
- 2 pcs - 4' x 7' Cross Braces
- 2 pcs - 2' x 7' Cross Braces
- 4 pcs - 8" Castor Wheels
- 2 pcs - 7' x 19" Deck
- 4 pcs - Coupling Pins

Guard Rail Safety Package:

- 4 pcs - Guard Rail Posts
- 4 pcs - 7' Guard Rails
- 4 pcs - 5' Guard Rails
- 4 pcs - Coupling Pins
- 8 pcs - Toggle Pins
- 4 pcs - Outriggers

INSULATION

Everything Edmonton

What it's made of makes all the difference

More Than A Rock. ROCKWOOL insulation is made from natural stone and recycled material. Its unique non-directional fibre structure and higher density give it better dimensional stability and make it an effective barrier against noise.

ROCKWOOL Comfortbatt®, Safe'n'Sound® and Comfortboard® 80 offer far more than conventional insulations. Don't settle for anything less when you build or renovate.



Fire Resistant

In the event of a fire, every second counts. ROCKWOOL insulation helps protect you and your family by delaying the spread of fire. ROCKWOOL products can withstand temperatures up to 1177°C.



Water Repellent

ROCKWOOL insulation repels water, so R-value is not affected. It is also completely resistant to rot, mildew, mould, and bacterial growth – contributing to a safer indoor environment in your home.



Easy Fit

The higher density of ROCKWOOL insulation provides superior sag resistance and fit. Once installed, the insulation holds its shape without sagging or slumping in the wall cavity to provide continuous fire protection and thermal performance over time.



Made from Stone

ROCKWOOL insulation is made from natural stone and recycled material. Its non-directional fibre structure and higher density give it better dimensional stability and make it an effective barrier against noise.



**ROCKWOOL
INSULATION
Product List**

CALL FOR A QUOTE
(780) 465 - 4239



Product Name	Thickness	Dimensions	Pcs/Bag	SqFt/Bag
Rockwool Comfortbatt Wood Stud R14 x 15"	3.5"	15.25" x 47"	12	59.7
Rockwool Comfortbatt Wood Stud R14 x 23"	3.5"	23" x 47"	8	60.1
Rockwool Comfortbatt Wood Stud R22 x 15"	5.5"	15.25" x 47"	8	39.8
Rockwool Comfortbatt Wood Stud R22 x 23"	5.5"	23" x 47"	5	37.5
Rockwool Comfortbatt Wood Stud R24 x 15"	5.5"	15" x 47"	6	29.4
Rockwool Comfortbatt Wood Stud R24 x 24"	5.5"	22.75" x 47"	4	29.7
Rockwool Comfortbatt Wood Stud R28 x 15"	7.25"	15.25" x 47"	6	29.9
Rockwool Comfortbatt Wood Stud R28 x 23"	7.25"	23" x 47"	4	30.0
Rockwool Comfortbatt Wood Stud R32 x 15"	8.0"	15.25" x 47"	6	29.9
Rockwool Comfortbatt Wood Stud R32 x 23"	8.0"	23" x 47"	4	30.0
Rockwool Comfortbatt Steel Stud R10 x 16"	2.5"	16.25" x 48"	16	86.7
Rockwool Comfortbatt Steel Stud R10 x 24"	2.5"	24.25" x 48"	12	97.0
Rockwool Comfortbatt Steel Stud R14 x 16"	3.5"	16.25" x 48"	12	65.0
Rockwool Comfortbatt Steel Stud R14 x 24"	3.5"	24.25" x 48"	8	64.7
Rockwool Comfortbatt Steel Stud R22.5 x 16"	6"	16.25" x 48"	8	43.3
Rockwool Comfortbatt Steel Stud R22.5 x 24"	6"	24.25" x 48"	5	40.4
Rockwool Comfortbatt Steel Stud R24.5 x 16"	6"	16.25" x 48"	8	43.3
Rockwool Comfortbatt Steel Stud R4.5 x 24"	6"	24.25" x 48"	5	40.4
Rockwool Safe N' Sound 16" wood studs	3"	16" x 47"	12	59.7
Rockwool Safe N' Sound 16" steel studs	3"	16" x 47"	12	64.0
Rockwool Safe N' Sound 19" wood studs	3"	19.2" x 47"	10	64.0
Rockwool Safe N' Sound 24" wood studs	3"	24" x 47"	8	60.1
Rockwool Safe N' Sound 24" steel studs	3"	24" x 47"	8	60.1
Rockwool Comfortboard AD	1.25"	24" x 48"	7	56.0
Rockwool Comfortboard AD	1.5"	24" x 48"	6	48.0
Rockwool Comfortboard AD	2"	24" x 48"	5	40.0
Rockwool Comfortboard AD	3"	24" x 48"	3	24.0
Rockwool Acoustic Fire Batt (AFB)	1"	16" x 48"	32	160.0
Rockwool Acoustic Fire Batt (AFB)	1.5"	16" x 48"	20	106.7
Rockwool Acoustic Fire Batt (AFB)	2"	16" x 48"	16	85.3
Rockwool Acoustic Fire Batt (AFB)	2.5"	16" x 48"	12	64.0
Rockwool Acoustic Fire Batt (AFB)	3.5"	16" x 48"	10	53.3
Rockwool Acoustic Fire Batt (AFB)	6"	16" x 48"	6	32.0

CAVITYROCK®

Cavityrock® is a semi-rigid insulation board designed for exterior cavity wall and rainscreen applications. These products offer superior long-term thermal efficiency, fire resistance, moisture control, acoustic performance and are compatible with numerous framing systems and cladding attachment systems.

SPECIFICATIONS

Dimensions (in.)	Thickness (in.)	Sqft./Bundle
16" x 48"	1"	128
16" x 48"	1.5"	85.31
16" x 48"	2"	64
16" x 48"	2.5"	42.67
16" x 48"	3"	42.67
16" x 48"	3.5"	53.33
16" x 48"	4"	42.67
16" x 48"	5"	21.33
16" x 48"	6"	21.33
24" x 48"	1"	96
24" x 48"	1.5"	64
24" x 48"	2"	64
24" x 48"	2.5"	56
24" x 48"	3"	40
24" x 48"	3.5"	40
24" x 48"	4"	40
24" x 48"	5"	32
24" x 48"	6"	32



ROCKBOARD® 40/60

ROCKBOARD® is a premium multi-purpose board insulation to be used in walls, ceilings and floors for acoustic and thermal applications. These include insulating mechanical or utility rooms, or adding a barrier to noise and fire.

SPECIFICATIONS

Dimensions (in.)	Thickness (in.)	Sqft./Bundle
ROCKBOARD 40		
24" x 48"	1"	168
24" x 48"	1.5"	112
24" x 48"	2"	80
24" x 48"	2.5"	56
24" x 48"	3"	56
24" x 48"	4"	40
24" x 48"	5"	24
ROCKBOARD 60		
24" x 48"	2"	56
24" x 48"	3"	32
24" x 48"	4"	24



COMFORTBOARD™ 80

ROCKWOOL COMFORTBOARD™ 80 is a rigid mineral wool insulation sheathing board that is non-combustible, water-repellent, fire-resistant and sound absorbent. COMFORTBOARD™ 80 is an exterior non-structural insulation sheathing that provides a continuous layer of insulation around the commercial or residential building envelope.

SPECIFICATIONS

Dimensions (in.)	Thickness (in.)	Sqft./Bundle
24" x 48"	1"	80
24" x 48"	1.25"	56
24" x 48"	1.5"	48
24" x 48"	2"	40
24" x 48"	2.5"	32
24" x 48"	3"	24
24" x 48"	4"	16
24" x 48"	5"	16
48" x 72"	1.5"	24
48" x 72"	2.5"	24
48" x 96"	1.25"	32
48" x 96"	1.5"	32
48" x 96"	2"	32
48" x 96"	2.5"	32
48" x 96"	3"	32



COMFORTBOARD™ 110

COMFORTBOARD™ 110 is a rigid, high-density, non-combustible, stone wool insulation board designed for use as an exterior continuous insulation in commercial applications. This board is thermally efficient, moisture-resistant, vapor permeable and takes the place of other external sheathing insulations to create high-performance wall assemblies. These assemblies are effective against fire, moisture and thermal bridging, and allow for superior drying potential.

SPECIFICATIONS

Dimensions (in.)	Thickness (in.)	Sqft./Bundle
24" x 48"	1"	64
24" x 48"	1.25"	48
24" x 48"	1.5"	40
24" x 48"	2"	32
24" x 48"	2.5"	24
24" x 48"	3"	24
48" x 72"	1"	24
48" x 72"	1.25"	24
48" x 72"	1.5"	24
48" x 72"	2"	24
48" x 72"	2.5"	24
48" x 72"	3"	24



SYSTEM SCAFFOLDING PRICING

Description	New	Used	
Standard - 0.5m No Spigot	\$ 22.29	\$ 13.37	
Standard - 0.5m	\$ 22.29	\$ 13.37	
Standard - 1m	\$ 35.98	\$ 21.58	
Standard - 1.5m	\$ 50.03	\$ 30.01	
Standard - 2m	\$ 63.25	\$ 37.95	
Ledger - 0.65 - 2'-2"	\$ 21.45	\$ 12.87	
Ledger - 0.914m - 3'	\$ 25.50	\$ 15.00	
Ledger - 1.15m - 3' 10"	\$ 29.38	\$ 17.62	
Ledger - 1.57m - 5'2"	\$ 36.51	\$ 21.90	
Ledger - 2.13m - 7'	\$ 46.08	\$ 27.64	
Ledger - 3.048m - 10'	\$ 61.59	\$ 36.95	
Double Ledger - 2m - 5'	\$ 54.20	\$ 32.25	
Double Ledger - 2.13m - 7'	\$ 75.80	\$ 45.48	
Double Ledger - 3.048m - 10'	\$ 107.49	\$ 64.49	
Bay Brace - 1.15m - 3' 10"	\$ 50.29	\$ 30.17	
Bay Brace - 1.57m - 5' 2"	\$ 53.99	\$ 32.03	
Bay Brace - 2.13m-7'	\$ 58.04	\$ 34.82	
Bay Brace - 3.048 - 10'	\$ 67.61	\$ 40.56	
Steel Plank - 1.07m - 3' 6"	\$ 44.90	\$ 22.50	
Steel Plank - 1.15m - 3' 10"	\$ 61.55	\$ 36.93	
Steel Plank - 1.57m - 5' 2"	\$ 76.15	\$ 45.69	
Steel Plank - 2.13m - 7"	\$ 95.84	\$ 57.50	
Steel Plank - 3.048m - 10'	\$ 128.15	\$ 76.89	
Aluminum Plank - 7' x 18-1/2"	\$ 180.00	\$ 93.00	
Aluminum Plank - 10' x 19-1/2"	\$ 240.00	\$ 140.00	
Stair Ledger - 1.065m	\$ 27.48	\$ 16.48	
Stair Stringer	\$ 148.56	\$ 89.13	

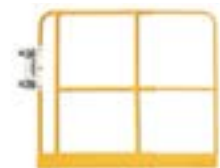
SYSTEM SCAFFOLDING PRICING

Description	New	Used
Stair Tread	\$ 89.06	\$ 53.43
Ladder Bracket - Starter	\$ 19.95	\$ 11.97
Aluminum Beam - 6'	\$ 72.00	\$ 36.00
Aluminum Beam - 8'	\$ 96.00	\$ 64.00
Aluminum Beam - 10'	\$ 120.00	\$ 80.00
Aluminum Beam - 12'	\$ 144.00	\$ 96.00
Aluminum Beam - 14'	\$ 168.00	\$ 112.00
Aluminum Beam - 16'	\$ 192.00	\$ 128.00
Aluminum Beam - 18'	\$ 216.00	\$ 144.00
Aluminum Beam - 20'	\$ 240.00	\$ 160.00
Aluminum Beam - 21'	\$ 252.00	\$ 168.00
Aluminum Beam - 22'	\$ 264.00	\$ 176.00
Aluminum Beam - 24'	\$ 288.00	\$ 192.00
Aluminum Beam - 26'	\$ 312.00	\$ 208.00
Aluminum Beam - 28'	\$ 336.00	\$ 224.00
Scaffold Tube - 2'	\$ 7.00	\$ 4.50
Scaffold Tube - 3'	\$ 10.50	\$ 6.75
Scaffold Tube - 4'	\$ 14.00	\$ 9.00
Scaffold Tube - 5'	\$ 17.50	\$ 11.25
Scaffold Tube - 6'	\$ 21.00	\$ 13.50
Scaffold Tube - 8'	\$ 28.00	\$ 18.00
Scaffold Tube - 10'	\$ 35.00	\$ 22.50
Scaffold Tube - 12'	\$ 42.00	\$ 27.00
Scaffold Tube - 14'	\$ 49.00	\$ 31.50
Scaffold Tube - 16'	\$ 56.00	\$ 36.00
Scaffold Tube - 18'	\$ 63.00	\$ 40.50
Scaffold Tube - 20'	\$ 70.00	\$ 45.00



SYSTEM SCAFFOLDING PRICING

Description	New	Used
Ply Deck - 9.5" x 5'	\$ 139.00	\$ 99.00
Ply Deck - 9.5" x 7'	\$ 139.00	\$ 99.00
Ply Deck - 9.5" x 10'	\$ 199.00	\$ 139.00
Ply Deck - 15" x 5'	\$ 139.00	\$ 99.00
Ply Deck - 15" x 7' Box Store Pricing \$171	\$ 139.00	\$ 99.00
Ply Deck - 15" x 10'	\$ 199.14	\$ 139.00
Ply Deck - 19" x 4'	\$ 129.00	\$ 89.00
Ply Deck - 19" x 5'	\$ 139.00	\$ 99.00
Ply Deck - 19" x 7'	\$ 139.00	\$ 99.00
Ply Deck - 19" x 10' Box Store Pricing \$238	\$ 199.00	\$ 139.00
Lam Plank - 1.75" x 9.5" x 1'	\$ 11.00	\$ 5.50
Lam Plank - 1.75" x 9.5" x 2'	\$ 22.00	\$ 11.00
Lam Plank - 1.75" x 9.5" x 3'	\$ 33.00	\$ 16.50
Lam Plank - 1.75" x 9.5" x 4'	\$ 44.00	\$ 22.00
Lam Plank - 1.75" x 9.5" x 5'	\$ 55.00	\$ 27.50
Lam Plank - 1.75" x 9.5" x 6'	\$ 66.00	\$ 33.00
Lam Plank - 1.75" x 9.5" x 8'	\$ 88.00	\$ 44.00
Lam Plank - 1.75" x 9.5" x 10'	\$ 110.00	\$ 55.00
Lam Plank - 1.75" x 9.5" x 12'	\$ 132.00	\$ 66.00
Lam Plank - 1.75" x 9.5" x 16'	\$ 176.00	\$ 88.00
Board Bracket - 0.65m - 2' 2"	\$ 42.10	\$ 25.26
Board Bracket - 0.914m - 3'	\$ 56.40	\$ 37.98
Ladder - 3'	\$ 31.72	\$ 19.03
Ladder - 5'	\$ 53.91	\$ 32.38
Swing Gate - w/ Toe Board	\$ 199.00	\$ 99.00



SYSTEM SCAFFOLDING PRICING

Description	New	Used
Base Collar	\$ 12.55	\$ 7.53
Safety Clip - Locking Pin (Weld-on Item)	\$ 4.30	\$ 4.30
Lattice Girder - 14'	\$ 289.00	\$ 189.00
Lattice Girder - 21' Steel	\$ 383.94	\$ 230.36
Lattice Girder - 21' Alum.	\$ 333.87	\$ 200.32
Lattice Girder - 28' Steel	\$ 415.09	\$ 249.05
Lattice Girder - 28' Alum.	\$ 439.04	\$ 263.42
Transom - 0.65m-2'2"	\$ 25.00	\$ 15.00
Transom - 1.15m-3'10"	\$ 32.77	\$ 19.66
Transom - 1.57m-5'2"	\$ 39.96	\$ 23.97
Transom - 2.13m-7'	\$ 49.90	\$ 29.94
Transom - 3.05m-10'	\$ 66.31	\$ 39.78
Side Bracket - 0.65m-2'2"	\$ 59.00	\$ 39.00
Side Bracket - 1.15m-3'10"	\$ 83.38	\$ 50.02
Base Jack - Regular - Box Store Price \$54.00	\$ 39.99	\$ 29.99
Base Jack - Swivel	\$ 40.54	\$ 24.32
Base Plate	\$ 9.99	\$ 5.43
Mud Sills	\$ 7.00	\$ 4.00



SYSTEM SCAFFOLDING PRICING

Description	New	Used
Universal System Toe Board - 5'-2" (Inter-Locking)	\$ 38.87	\$ 28.87
Universal System Toe Board - 7' (Inter-Locking)	\$ 46.47	\$ 36.47
Universal System Toe Board - 10' (Inter-Locking)	\$ 54.00	\$ 44.00
Raw Clamps - Forged	\$ 12.75	\$ 8.00
Swivel Clamp - Forged	\$ 12.75	\$ 8.00
Spigot Clamp	\$ 15.00	\$ 8.00
Tube Jointers Clamp	\$ 14.00	\$ 8.00
Swivel Wedge Clamp - Tube to Tube	\$ 14.00	\$ 8.75
Swivel Wedge Clamp - Tube to Frame	\$ 14.00	\$ 8.75
Right Angle Wedge Clamp - Tube to Tube	\$ 14.00	\$ 7.75
Right Angle Wedge Clamp - Tube to Frame	\$ 14.00	\$ 7.75



SYSTEM SCAFFOLDING PRICING

Description	New	Used
Rosette Wedge Clamp	\$ 39.99	\$ 19.99
Wedge Clamp	\$ 32.99	\$ 14.99
4' x 4' Stacking Rack	\$ 190.00	\$ 155.62
4' x 4' Stackable Scaffold Basket	\$ 209.00	\$ 167.00



Cable Pullers	New	Used
Klein Parallel Jaw Cable Puller	\$ 780	\$ 199
Klein Chicago Grip Cable Puller	\$ 1,000	\$ 199

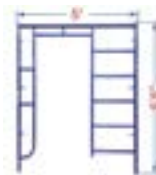
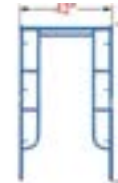
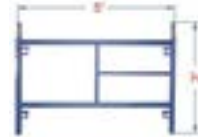
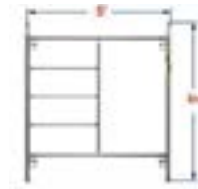


Carabiners - Various Sizes Available	New	Used
Locking Hook Carabiner	\$ 30.99	\$ 14.99
Pear Shaped Steel Hook Carabiner 8"	\$ 62.99	\$ 29.99



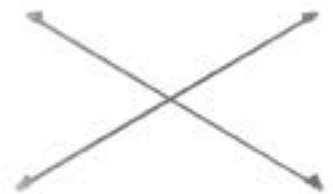
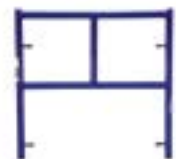
SCAFFOLDING PRICING

Description	New	Used
5' x 5' Frames - Painted - Box Store Pricing \$78.00	\$ 79.00	\$ 52.00
5' x 5' Frames - Galvanized - Box Store Pricing \$78.00	\$ 79.00	\$ 52.00
3' x 5' Frames - Painted	\$ 49.00	\$ 39.00
3' x 5' Frames - Galvanized	\$ 55.00	\$ 44.00
5' x 3' Frames - Painted	\$ 49.00	\$ 39.00
5' x 3' Frames - Galvanized	\$ 55.00	\$ 44.00
42" x 6'6" Frames - Painted	\$ 78.00	\$ 56.00
42" x 6'6" Frames - Galvanized	\$ 78.00	\$ 56.00
36" x 6'6" Frames - Painted	\$ 62.00	\$ 48.00
36" x 6'6" Frames - Galvanized	\$ 62.00	\$ 52.00
5' x 6'6" Walk-Through - Painted	\$ 68.00	\$ 48.00
5' x 6'6" Walk-Through - Galvanized	\$ 70.00	\$ 52.00
5' x 6'6" Ladder - Painted	\$ 74.00	\$ 54.00
5' x 6'6" Ladder - Galvanized	\$ 74.00	\$ 54.00
24" x 5' Frames - Painted	\$ 49.00	\$ 45.00
29" x 5' Frames - Painted	\$ 49.00	\$ 45.00



SCAFFOLDING PRICING

Description	New	Used
42" x 3' Half Frames - Painted	\$ 54.00	\$ 48.00
42" x 5' Frames - Painted	\$ 58.00	\$ 54.00
3' x 3' Frames - Painted	\$ 44.00	\$ 39.00
3' x 3' Ladder - Painted	\$ 44.00	\$ 39.00
45" x 6'6" Ladder - Painted	\$ 62.00	\$ 58.00
45" x 6'6" Ladder - Galvanized	\$ 62.00	\$ 58.00
6' x 7'2" Sidewalk Frame - Painted	\$ 99.00	\$ 99.00
Cross Braces - 2' x 5'	\$ 23.50	\$ 19.00
Cross Braces - 2' x 7' - Box Store Price \$33.00	\$ 23.50	\$ 17.75
Cross Braces - 2' x 10'	\$ 28.00	\$ 21.00
Cross Braces - 4' x 5'	\$ 23.50	\$ 19.00
Cross Braces - 4' x 7'	\$ 23.50	\$ 17.75
Cross Braces - 4' x 10' - Box Store Price \$38.00	\$ 28.00	\$ 21.00
Coupling Pins - With Spring Clip - Box Store Price \$6.60	\$ 7.99	\$ 2.99



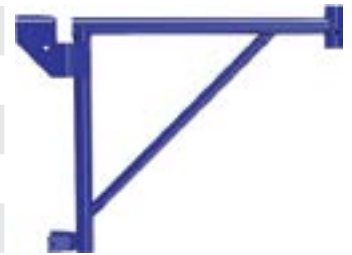
SCAFFOLDING PRICING

Description	New	Used
Guardrails - 5'	\$ 8.00	\$ 6.00
Guardrails - 7'	\$ 9.00	\$ 7.00
Guardrails - 10'	\$ 12.00	\$ 10.00
End Frame Guardrail - 51"	\$ 23.00	\$ 17.00
End Frame Guardrail - 56"	\$ 25.00	\$ 19.00
End Frame Guardrail - 86"	\$ 34.00	\$ 31.00
Pole Connector	\$ 39.99	\$ 32.99
Aluminum Plank Connecting Pin	\$ 19.99	\$ 19.99
Decks - 19" x 7'	\$ 139.00	\$ 99.00
Decks - 19" x 10'	\$ 199.00	\$ 139.00
Scaffold Wagons	\$ 4,500.00	\$ 799 - 1999
Castors - 8" with Brake - Box Store Price \$37.00	\$ 29.99	\$ 19.99
Aircraft Tires - 16" Treaded 500lbs rating with screwjack & brake	\$ 240.00	\$ 190.00
Aircraft Tires - 16" Not Treaded 1000lbs rating with screwjack & brake	\$ 260.00	\$ 210.00



SCAFFOLDING PRICING

Description	New	Used
Poly Castor Wheel	\$ 40.00	\$ 30.00
Side Brackets - 12"	\$ 34.00	\$ 28.00
Side Brackets - 20"	\$ 39.00	\$ 33.00
Side Brackets - 24"	\$ 41.00	\$ 35.00
Side Brackets - 30"	\$ 54.00	\$ 44.00
Side Brackets - 42"	\$ 80.00	\$ 60.00
Side Bracket - 36"	\$ 58.00	\$ 36.00
Side Bracket 48"	\$ 62.00	\$ 42.00
Extra Large Outrigger- 5' x 5'	\$ 220.00	\$ 180.00
End Side Bracket	\$ 64.00	\$ 39.99
Screwjack - 24" Castor Holder	\$ 52.00	\$ 34.00
Screwjack - 36" Castor Holder	\$ 58.00	\$ 38.00
Screwjack with base - 24"	\$ 32.00	\$ 24.00
Screwjack with base - 36"	\$ 38.00	\$ 26.00
Screwjack with base - 40"	\$ 42.00	\$ 28.00
Screwjack with base - 42"	\$ 46.00	\$ 34.00
Swivel Screwjack - 24"	\$ 44.00	\$ 38.00
Swivel Screwjack - 40"	\$ 46.00	\$ 42.00



SCAFFOLDING PRICING

Description	New	Used
U-Head Screwjack - 24"	\$ 46.00	\$ 36.00
Castor Holder ScrewJack - 28"	\$ 54.00	\$ 28.00
Base Plate - 6" x 6" Painted	\$ 12.00	\$ 7.50
Base Plate - 6" x 6" Galvanized	\$ 12.00	\$ 7.50
Swivel Base Plate - 6" x 6" Painted	\$ 14.00	\$ 12.00
Swivel Base Plate - 6" x 6" Galvanized	\$ 14.00	\$ 12.00
#02 Shoring Post	\$ 88.88	
#02 Shoring Post 6' x 11.5"	\$ 115.00	
#02 Shoring Post 10' x 17'	\$ 125.00	
Scaffold Locking Arm	\$ 7.99	



We Buy Used Frame & System Scaffolding

**Give us a Call!
(780) 465-4239**



SHOP THE LARGEST DEWALT SHOWROOM IN WESTERN CANADA WITH OVER 10,000 SQ FT!



SALE



**GREAT DEALS
HUGE SELECTION**

**COME VISIT US!
6030 - 50TH STREET NW
EDMONTON, AB
T6B 3C4**

ACRYLIC MESH

Acrylic Stucco Mesh



White
38" x 150'
\$79.00



Red
38" x 150'
\$99.00



Yellow
38" x 150'
\$99.00



White
4" x 150'
\$9.99



White
9.5" x 150'
\$22.99



White
48" x 150'
\$129.00



DEBRIS MESH

Mesh/Wrap



Standard Shrink Wrap	20' x 100' 10MIL	\$249
----------------------	---------------------	-------



Scaffold Debris Mesh	6'6" x 150'	Buy 1-3	\$125/ea
		Buy 4+	\$99/ea
	10' x 150'	Buy 1-3	\$175/ea
		Buy 4+	\$150/ea
Used	8' x 75'		\$50/ea

Used - One time project 8' x 75' Debris Mesh
Limited time - \$50.00 SALE



MEMBRANE

Stucco Tape



Protecto

3" x 75'	\$33.00
4" x 75'	\$47.00
6" x 75'	\$61.00
9" x 75'	\$92.00



3M 8067

2 3/8" x 75'	\$33.00
4" x 75'	\$40.20
6" x 75'	\$52.30
9" x 75'	\$78.50
12" x 75'	\$104.60
18" x 75'	\$156.90
36" x 75'	\$313.80



RT40

9"	\$77.20
12"	\$116.80



RTMAX

2.38"	\$18.80
4"	\$25.40
6"	\$35.20
9"	\$52.80
12"	\$69.90



Resisto

STT 4"	\$13.77
STT 6"	\$19.91
STT 12"	\$38.33
STT 18"	\$56.72



3m Exterior 2097

1.88" x 45y	\$12.99
-------------	---------



Stucco Tape

White 1.89in x 60yd	\$9.99
Blue 1.89in x 60yd	\$10.75
Red 1.89in x 60yd	\$9.99

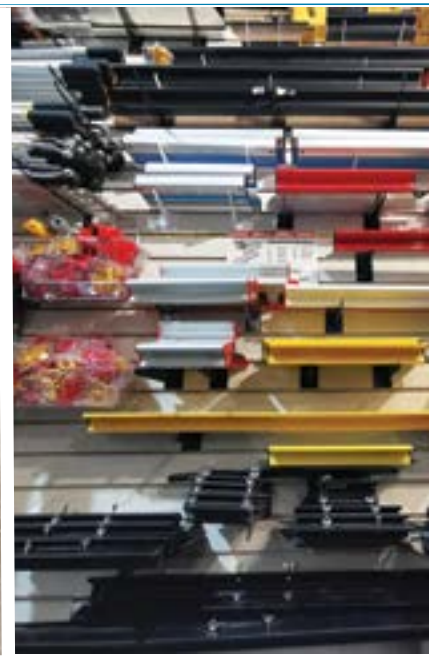


Bart's

TAPING TOOLS



Shop Online Today!
www.bartstapingtools.ca





PIRANHA STUCCO SUPPLIES

WE TAKE A BITE OUT OF THE COMPETITION

6305 20th Street NW
Edmonton, AB
T6P 0A1

Monday - Friday	8:00am - 4:30pm
Saturday	8:00am - 12:00pm
Sunday	Closed

www.piranhastucco.com
(780) 901 1645

