



ROX
MINING PARTS



OPEN CUT MACHINE PARTS

2026 ROX Open Cut Machine Products

June 2026 Release

CAT | Hitachi | Komatsu | Liebherr



 www.bendtechgroup.com.au

BUILT BETTER 

A NEW ERA HAS ARRIVED



BRAND DNA



ROX Mining Parts is a division of the Bend-tech Group dedicated to the supply of Open cut and Underground machine replacement parts. ROX is committed to eliminating downtime, improving performance, and increasing longevity of parts through innovation. The ROX team has been restructured with customer experience in mind and with dedicated supporting departments such as research and development, engineering, and logistics, the ROX division is poised to transform mining parts supply.

ROX

A riff on the substrate mobile equipment mine (*Rocks*). Combined with the animal the Aurochs or Ox for its characteristics in defence, agility, and protection.

AUROCHS / OX

Representing the strengths of the division and the parts we supply the Aurochs is known as an agile, athletic, and strong animal capable of defending themselves against predators such as wolves.

BRAND STORY

We are excited to introduce our reimagined identity – a transformation born from our unwavering commitment to provide even greater value to our customers and a realisation that our provision of OEM replacement parts division has become much more than just a business unit. Our journey began with a simple idea, and today, that idea is evolving into a brand-new experience that reflects our dedication to innovation, quality, minimising downtime, and customer experience.

THE ORIGINS

Every great journey has its origins. What has become ROX today started in the late 2000's when we began supplying OEM replacement handrails for Underground machines. This quickly evolved into supplying more handrails, then more parts. Which then evolved into servicing the Open cut machine market, supplying components such as handrails, fenders and guards, platform modules and fuel tanks. Through the years, we've remained dedicated to serving our customers, adapting to their needs, and leveraging new technologies to improve their experience.

THE VISION

Our new identity is not just a logo or a name – it's a reflection and commitment of our vision for the future. We envision a world where all our customers' required parts are stocked, downtime is eliminated, parts are innovated and improved, and we are the relied upon supplier for mining equipment replacement parts. This vision is the driving force behind every decision we've made in shaping our rebrand.

THE PROMISE

Our promise to you remains unchanged. Just as we've stood by your side in the past, we will continue to be your trusted partner on this journey of sustained value and minimising downtime. Our commitment to all parts being stocked, downtime eliminated, innovated parts and improved performance, and becoming the relied upon supplier for mining equipment replacement part supply remains steadfast, serving as the bedrock of our rebrand and the road ahead.

THE EVOLUTION

As time passed, the division continued to grow both in parts and services provided as well as our human resources and supporting divisions such as research and development (R&D). We realised that providing what the industry needs and mitigating customer pain points meant embracing change. Our rebrand is the result of an evolution – a transformational process that has seen us listen to your feedback, learn from our experiences, and begin a journey towards continued innovation to create something even more exceptional.

THE BENEFITS

Our rebrand isn't just for us – it's for you. We've reimagined our service with you in mind, with the mission of creating an experience that is more streamlined, innovative, and dedicated than ever before. With our new identity, we're poised to elevate your experience and empower you like never before. With a restructured team, more robust R&D, and a new, dedicated website in the works we are poised to deliver the best service in the industry.

CONCLUSION

In closing, we're excited to embark on this new chapter with you. Our rebrand of our OEM Replacement Parts division is more than a new name, new colours, or new logo – it's a testament to our dedication to continuous improvement, innovation, and growth. Thank you for being a part of our story so far, and we look forward to the exciting journey ahead, hand in hand.



CONTENTS

CAT MACHINE PARTS

CAT D10T Dozer	4
CAT D11T Dozer	10
CAT D16M Grader	15
CAT 24M Grader	17
CAT 777 Haul Truck	19
CAT 785Haul Truck	22
CAT 789 Haul Truck	29
CAT 793 Haul Truck	34
CAT 797 Haul Truck	40
CAT 854K Wheel Dozer	42
CAT 994H Wheel Loader	45
Fuel Tank Service Exchange	46

HITACHI MACHINE PARTS

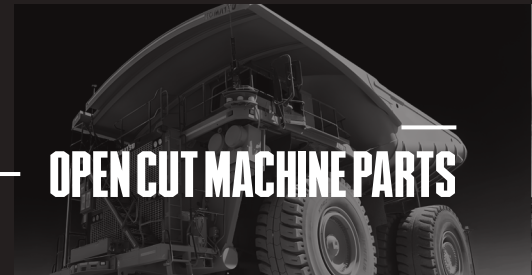
Hitachi EX1900 Excavator	48
Hitachi EX2500/EX2600 Excavator	58
Hitachi EX3600 Excavator	62
Hitachi EX5600 Excavator	73
Hitachi EX8000 Excavator	80

KOMATSU MACHINE PARTS

Komatsu Machine Range	85
-----------------------	----

LIEBHERR MACHINE PARTS

Liebherr Machine Range	89
------------------------	----



OPEN CUT MACHINE PARTS

CAT
D10T DOZER

ELIMINATING DOWNTIME, MAXIMISING EFFICIENCY.



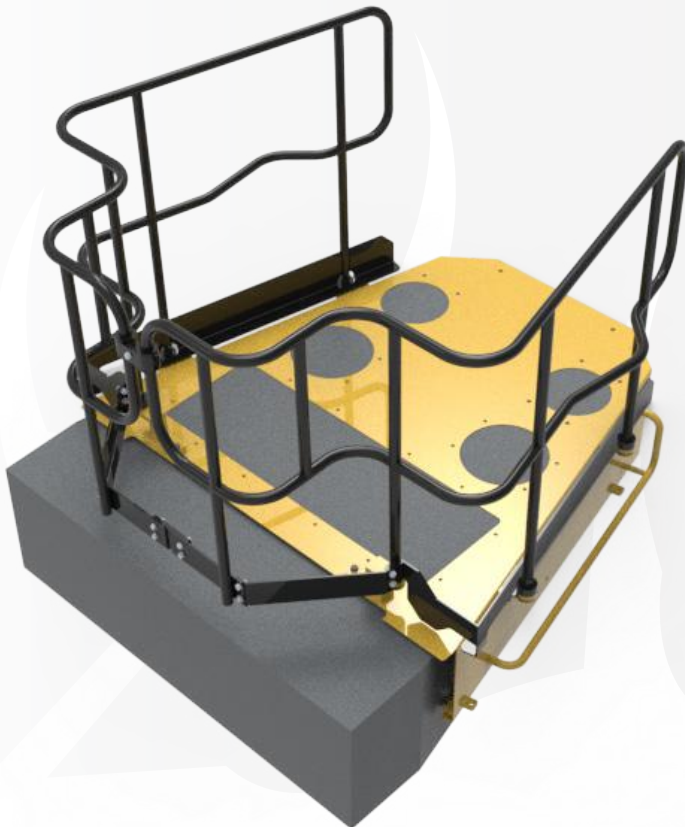
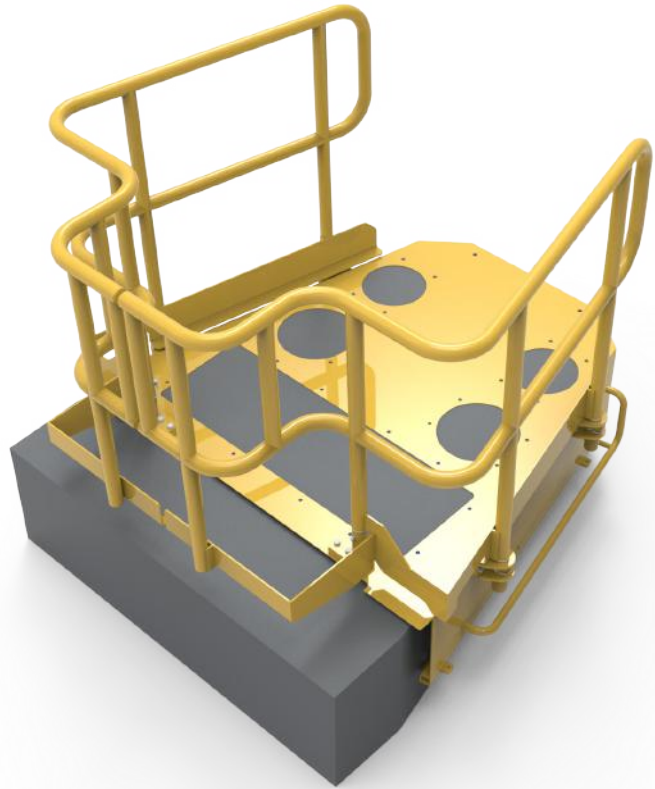
CAT D10T DROP-IN BONNET HANDRAILS

Part No. 5504947

A comprehensive set of handrails designed and engineered to provide fall protection on the bonnet of the Caterpillar D10T Dozer. Drop-in handrails for temporary maintenance.

Features:

- Heavy-duty, lightweight aluminium construction
- Suits D10T RJG, D10N 3SK/2YD, D10R 3KR
- Mounts sold separately for ease of fleet implementation (Mount Kit - Part No. 5600787)
- 2 piece design for ease of fitment



CAT D10T FIXED BONNET HANDRAILS

Part No. 5504835

A comprehensive set of fixed handrails designed and engineered to provide fall protection on the bonnet of the Caterpillar D10T dozer.

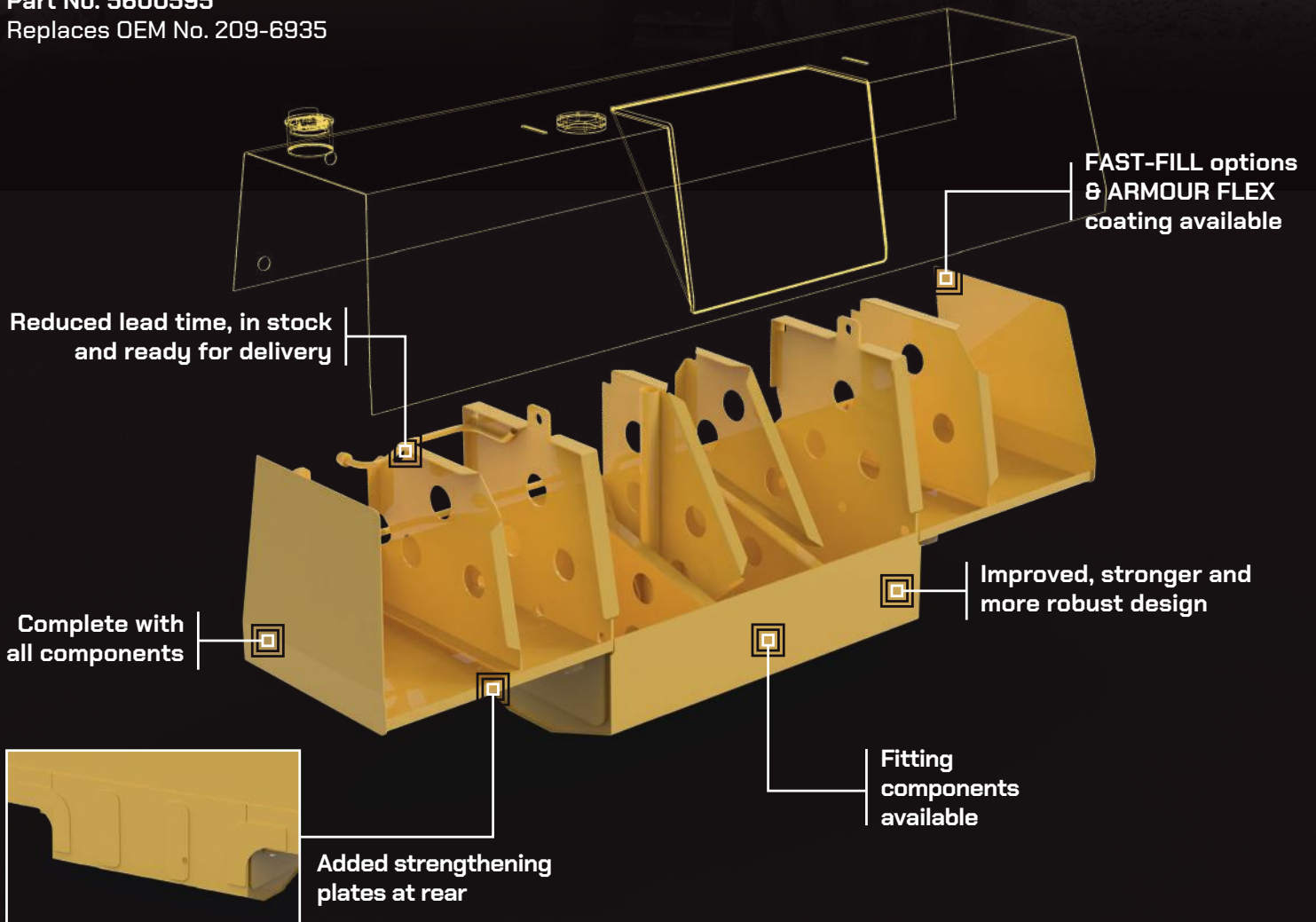
Features:

- Suits D10T RJG, D10N 3SK/2YD, D10R 3KR
- Shock absorbing mounts
- Bolt-in handrails for a fixed maintenance solution
- Finished in Satin Black to reduce glare during operation




CAT DIOT FUEL TANKS

Part No. 5600595
Replaces OEM No. 209-6935



 sales@bendtechgroup.com.au

 bendtechgroup.com.au



PERTH
(08) 9459 8600

ADELAIDE
(08) 8231 1513

DARWIN
(08) 8963 5621

KALGOORLIE
(08) 9021 8300

NEWMAN
(08) 9175 1164

MOUNT ISA
(07) 4743 6458

CAT D10T BONNET / HOOD

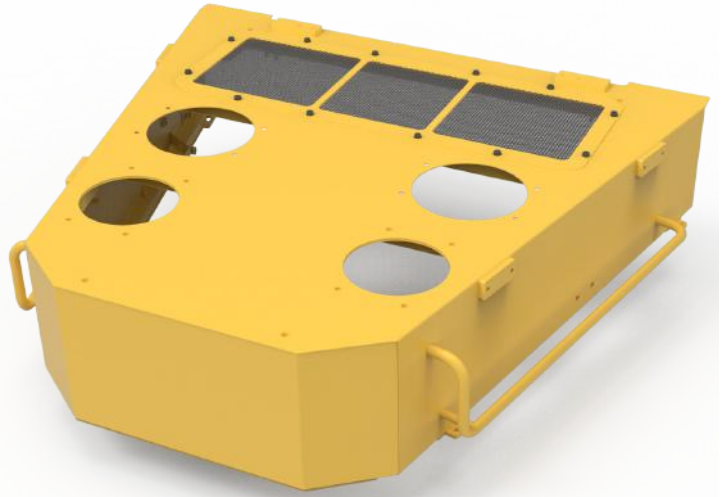
Part No. 5600597

Direct bolt-on replacement for the CAT D10 Bonnet/ Hood complete with all components.

Replaces OEM No. 371-4122, 272-9665

Features:

- Suits D10T RJG, D10N 3SK/2YD, D10R 3KR
- Heavy-duty steel construction
- Comes pre-installed with welding bosses to suit ROX's D10T fixed & drop-in handrails



CAT D10T FUEL TANK

Part No. 5600595

A cost-effective replacement for the CAT D10T Fuel Tank complete with all components.

Replaces OEM No. 209-6935

Features:

- Heavy-duty steel construction
- Available for ROX Service Exchange (see page 46)

CAT D10T2 FUEL TANK

Part No. 5601243

ROX's CAT D10T2 fuel tank is a direct replacement for CAT OEM part 378-5564, 379-8601, 477-6755, 477-6756, 492-3520 and 492-3521. Complete with all components and designed to be stronger and more robust

Features:

- Heavy-duty steel construction
- Available for ROX Service Exchange (see page 46)



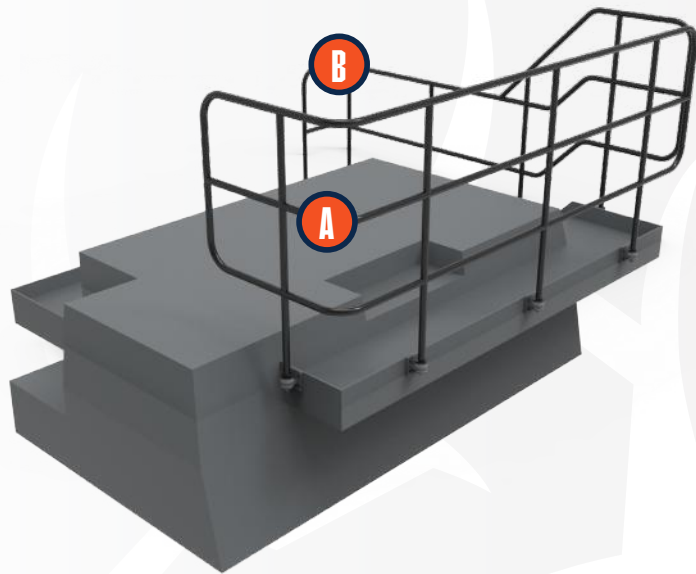
CAT D10T2 FIXED BONNET HANDRAILS

Part No. 5506668

A set of fixed handrails designed and engineered to provide fall protection on the bonnet of the D10T2.

Features:

- Heavy-duty steel construction
- Shock absorbing mounts
- 2 piece design for ease of fitment
- Finished in Satin Black to reduce glare during operation



CAT D10T REAR HANDRAILS

Part No. Handrail A: 5600494, Handrail B: 5600495

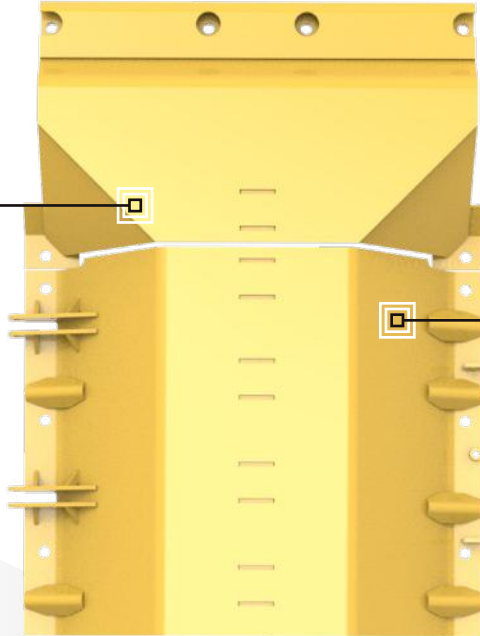
A comprehensive set of handrails designed and engineered to provide fall protection on the rear of the Caterpillar D10T dozer.

Features:

- Heavy-duty steel construction
- Shock absorbing mounts
- Finished in Satin Black

CAT DIOT/DIOT2 BELLY GUARD 1

PART NO. 5607074
OEM NO. 7G-1814



CAT DIOT/DIOT2 BELLY GUARD 3

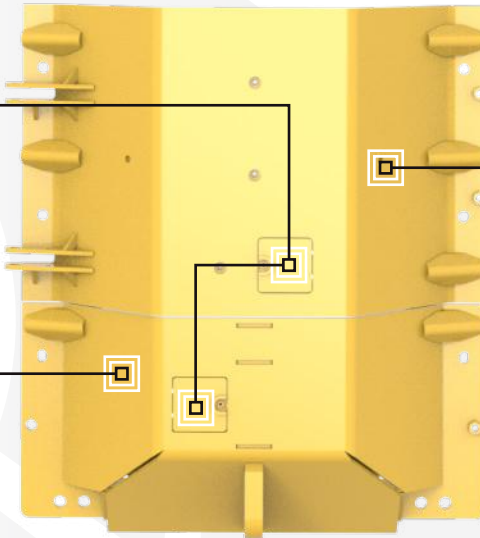
PART NO. 5607076
OEM NO. 231-8149

CAT DIOT/DIOT2 BELLY GUARD 5

*2x Required
PART NO. 5607078
OEM NO. 256-9990

CAT DIOT/DIOT2 BELLY GUARD 2

PART NO. 5607075
OEM NO. 231-8148



CAT DIOT/DIOT2 BELLY GUARD 4

PART NO. 5607077
OEM NO. 602-7700

Features:

- Heavy-duty steel construction
- Direct CAT OEM Replacement
- Certified and compliant with Australian Standards
- Powdercoated in CAT Yellow
- Stocked and ready for immediate despatch

CAT
D11T DOZER



ELIMINATING DOWNTIME, MAXIMISING EFFICIENCY.



CAT D11T DROP-IN BONNET HANDRAILS

Part No. 5506300

A comprehensive set of handrails designed and engineered to provide fall protection on the bonnet of the Caterpillar D11T Dozer. Drop-in handrails for temporary maintenance.

Features:

- Heavy-duty, lightweight aluminium handrails
- Heavy-duty steel drop-in mounts included
- 4 piece design for ease of fitment
- Suits GEB series only



CAT D11T FIXED BONNET HANDRAILS

Part No. 5505157

A comprehensive set of fixed handrails designed and engineered to provide fall protection on the bonnet of the Caterpillar D11T dozer.

Features:

- Heavy-duty steel construction
- Rubber mounts and joins
- Access gate
- 2 piece design for ease of fitment
- Suits GEB series only
- Finished in Satin Black to reduce glare during operation

CAT D11 ENGINE BAY DOOR LH FRONT

Part No. 5607790

Replaces OEM No. **548-5905** to suit CAT D11 KSN and TKN.

Features:

- Includes OEM No. **596-1072**
- Includes latches, hand holds and rubbers
- Excludes sound suppression liner
- Sound suppression liner available: Part No. **5607994**
- This panel is interchangeable with OEM No. **491-4603**
- In stock & ready for despatch



CAT D11 ENGINE BAY DOOR LH REAR

Part No. 5607791

Replaces OEM No. **548-5901** to suit CAT D11 KSN and TKN Dozers.

Features:

- Excludes sound suppression liner
- Sound suppression liner available: Part No. **5607995**
- This panel is interchangeable with OEM No. **491-4608**
- In stock & ready for despatch



CAT D11 ENGINE BAY DOOR RH FRONT

Part No. 5607792

Replaces OEM No. **548-5907** to suit CAT D11 KSN and TKN.

Features:

- Includes OEM No. **548-5911**
- Includes latches, hand holds and rubbers
- Excludes sound suppression liner
- Sound suppression liner available: Part No. **5607994**
- This panel is interchangeable with OEM No. **491-4620**
- In stock & ready for despatch



CAT D11 ENGINE BAY DOOR RH REAR

Part No. 5607793

Replaces OEM No. **548-5903** to suit CAT D11 KSN and TKN Dozers.

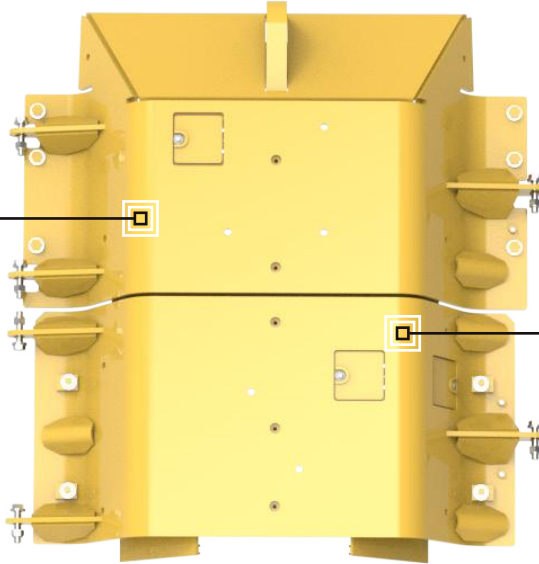
Features:

- Excludes sound suppression liner
- Sound suppression liner available: Part No. **5607995**
- This panel is interchangeable with OEM No. **491-4614**
- In stock & ready for despatch



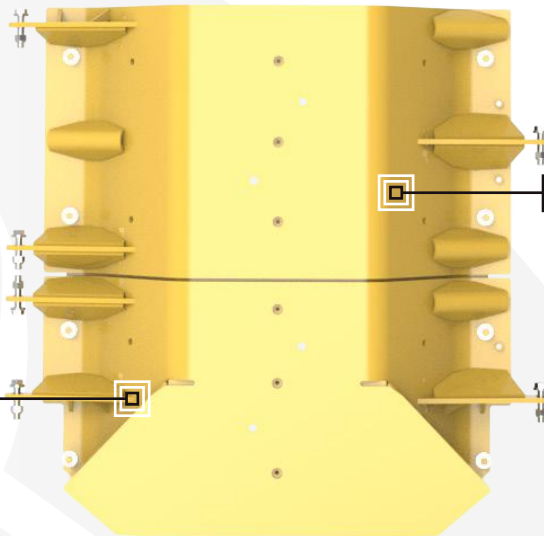
CAT D11 BELLY GUARD 3

PART NO. 5609104
OEM NO. 499-3957



CAT D11 BELLY GUARD 1

PART NO. 5609102
OEM NO. 493-7100



CAT D11 BELLY GUARD 2

PART NO. 5609103
OEM NO. 499-3955

CAT D11 BELLY GUARD 4

PART NO. 5609105
OEM NO. 499-3950

Features:

- Heavy-duty steel construction
- Direct CAT OEM Replacement
- Certified and compliant with Australian Standards
- Powdercoated in CAT Yellow
- Stocked and ready for immediate despatch

CAT
16M GRADER



ELIMINATING DOWNTIME. MAXIMISING EFFICIENCY.



CAT 16M GRADER MUDGUARDS

Part No. 5505470

CAT 16M Rear Mudguard Set to suit CAT OEM No. 328-5399.

Features:

- Made to suit CAT 16M Grader OEM No. **328-5399**
- Modified design to include handrails and steps for engine bay access
- Heavy-duty steel construction
- Powdercoated in CAT Yellow, Black handrails
- Certified and compliant with Australian Standards



**ELIMINATING DOWNTIME,
MAXIMISING EFFICIENCY.**

CAT
24M GRADER



ELIMINATING DOWNTIME, MAXIMISING EFFICIENCY.



CAT 24M EMERGENCY ACCESS LADDER

Part No. 5502411

Our CAT 24M Emergency Access ladder is designed for emergency situations. Allows operators to escape quickly in case of a fire or other emergency. Certified and compliant with Australian Standards.

Features:

- Gas struts for controlled release and easy lifting
- Heavy-duty steel and aluminum
- Working Load Limit of 150kg
- Easy-to-use latching system
- Mounts to LHS of cab
- Non-slip nosing's on ladder treads



CAT 24M COVER PLATE RIGHT

Part No. 5502412

A side cover plate to suit the right hand side of a CAT 24M, designed to protect hydraulic hoses and electrical wiring on the front chassis frame.

Replaces OEM No. **316-2323**

Features:

- Heavy-duty steel construction
- Stocked and ready for despatch



CAT 24 COVER PLATE LEFT

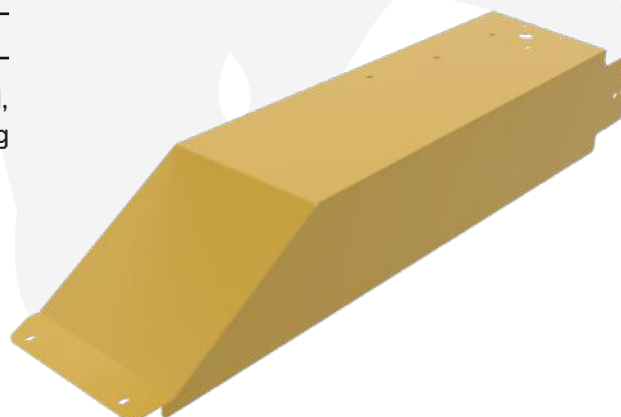
Part No. 5502413

A side cover plate to suit the left hand side of a CAT 24M, designed to protect hydraulic hoses and electrical wiring on the front chassis frame.

Replaces OEM No. **316-2322**

Features:

- Heavy-duty steel construction
- Stocked and ready for despatch



OPEN CUT MACHINE PA

**CAT
777 HAUL TRUCK**

514

7770

CAT

7770

ELIMINATING DOWNTIME, MAXIMISING EFFICIENCY.



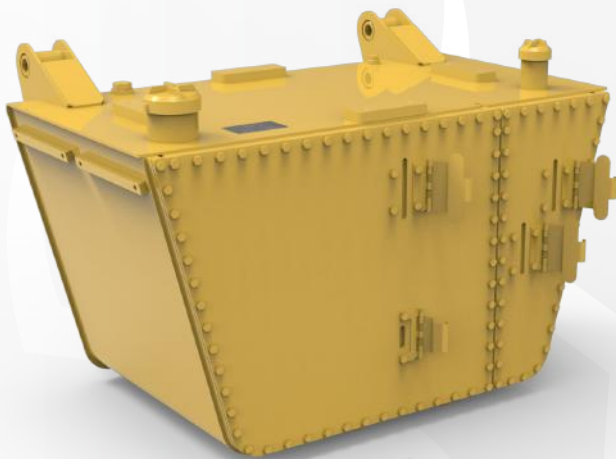
CAT 777 FUEL TANK

Part No. 5607185

Direct OEM replacement fuel tank for all CAT 777 models.

Features:

- Direct replacement for CAT OEM part 219-9712, 637-0201
- Heavy-duty steel construction
- Optional Armour Flex coating for extra protection
- Fast-fill options available
- Delivered in certified transport frame
- Complete with all components
- Stocked and ready for despatch
- Available for ROX Service Exchange [see page 46]



CAT 777F HYDRAULIC TANK

Part No. 5608940

Direct replacement for CAT OEM part 383-3656 (383-3657)

Features:

- Suits CAT 777F JRP & JXP
- Complete with all components from 383-3656 assembly
- Delivered as a sealed unit
- In stock and ready for despatch

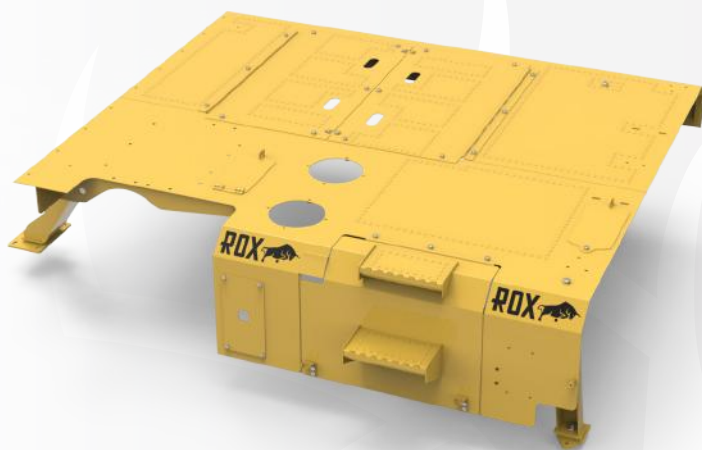
CAT 777G EMERGENCY EGRESS LADDER

Part No. 5502447

Direct replacement for OEM No. 312-0850.
This design is a result of a recurring incidents where emergency ladders are destroyed weekly.

Features:

- Gas struts for controlled release and easy lifting
- Heavy-duty steel and aluminum
- Working Load Limit of 150kg
- Easy-to-use latching system
- Fully TIG welded ladder construction
- Mounts to LHS of cab



CAT 777 HOOD

Part No. 5609140

Direct replacement for CAT OEM part 476-2216. In stock & ready for immediate despatch.

Features:

- Direct replacement for CAT OEM No. 476-2216.
- Heavy-duty steel construction
- Finished in CAT yellow
- Stocked & ready for immediate despatch

CAT
785 HAUL TRUCK

ELIMINATING DOWNTIME, MAXIMISING EFFICIENCY.



CAT 785C/D FUEL TANK

Part No. 5607174

ROX's 785C/D Fuel Tank is a direct replacement for CAT OEM No. 434-0955.

Features:

- Heavy-duty steel construction
- Optional Armour Flex coating for extra protection
- Fast-fill options available
- Delivered in certified transport frame
- Complete with all components
- Stocked and ready for despatch
- Available for ROX Service Exchange [see page 46]



CAT 785C/D FUEL TANK TRANSPORT FRAME

Part No. 5607176

A designed and engineered frame for the CAT 785C/D Fuel Tank. Maximises safety and efficiency during transport and storage.

Features:

- Heavy-duty steel construction
- Tie-down points
- Rubber pads to keep tank from being scratched/dented in transit

BUILT BETTER 



CAT 785D FRONT END REPLACEMENT

ROX has finalised the complete design and engineering of the CAT 785D Front-End OEM replacement solution. This offering includes all front-end components, delivering ready-to-install alternatives built to OEM standards and in-stock for immediate despatch.



ROX 
OPEN CUT | UNDERGROUND | A DIVISION OF **Bendtech**

CAT 785D FRONT END REPLACEMENT



QTY	Description	ROX Part No.	OEM No.
1	Corner Platform Module	5608877	285-0713_ASSY
1	Cowling Subassy	5608881	310-6871_ASSY
1	LH Fender Assy	5608882	310-9792_ASSY
1	Front Hood Subassembly	5608887	311-4942_ASSY
1	Rear Hood Subassembly	5608888	388-1470_ASSY
1	LH Plate Assy #1	5608890	310-9794_ASSY
1	LH Plate Assy #2	5608891	345-9966_ASSY
1	Mud Deflector Assembly - LH	5608892	337-8241_ASSY
1	Mud Deflector Assembly - RH	5608892	337-8246_ASSY
1	Bracket Assembly	5608893	337-8246_ASSY
1	Front Walkway Assembly	5610618	311-0953_ASSY
1	Side Walkway Assembly	5610619	308-9468_ASSY
1	Lower Ladder Handrail Assy - LH	5610621	248-2221_ASSY
1	Lower Ladder Handrail Assy - RH	5610622	248-2218_ASSY
1	Lower Platform Assembly	5610623	425-9815_ASSY
1	Lower Ladder Assembly	5610624	223-4472_ASSY
4	Mount Assy	5610625	388-4848_ASSY
1	Support Assy	5610626	388-4847_ASSY
1	Lower Plate Assy	5610627	300-2439_ASSY
1	Front Guard Assy Without Badge	5610628	593-5153_ASSY_1
1	Front Guard Assy With Badge	5610628	593-5153_ASSY_2
1	RH FR Fender Plate Assy	5610629	310-9804_ASSY
1	Mud Deflector Bracket Assy	5610630	337-8242_ASSY
1	Support Platform Assy	5610631	171-7691
1	Powered Stairway Assembly	5610633	328-1181_ASSY
1	Platform Assembly	5610634	514-4931_ASSY
1	FR Stair Assembly	5608913	309-6109_ASSY
1	Front Ladder Subassy	5608912	309-6088_ASSY
1	Ladder Grabrail Assy - LH	5610637	309-9776_ASSY
1	Ladder Handrail Assy - RH	5610637	309-9777_ASSY
1	Front Platform Subassy	5608911	309-6103_ASSY
1	FR Stair Handrail Assembly	5610639	309-9774_ASSY
1	FR Platform Handrail Assy	5610640	309-9775_ASSY
1	FR Platform Gate Assy	5610641	309-9797_ASSY
1	RH Corner Handrail Assy	5610642	310-1567_ASSY
1	Hood Handrail Assembly	5610643	309-9778_ASSY
1	Mirror Bracket Assembly - LH	5610644	311-2031_ASSY
1	LH Walkway Handrail - Front Half	5610620	311-0967_ASSY
1	LH Walkway Handrail - Back Half	5610645	298-6396_ASSY
1	RH Side Mirror Bracket	5610646	308-5282
3	Support Clamp	5610647	7D-9969
2	Handrail Clip Assy - Long	5600824	5P-7468
1	Handrail Clip Assy - Short	5600825	5P-7469

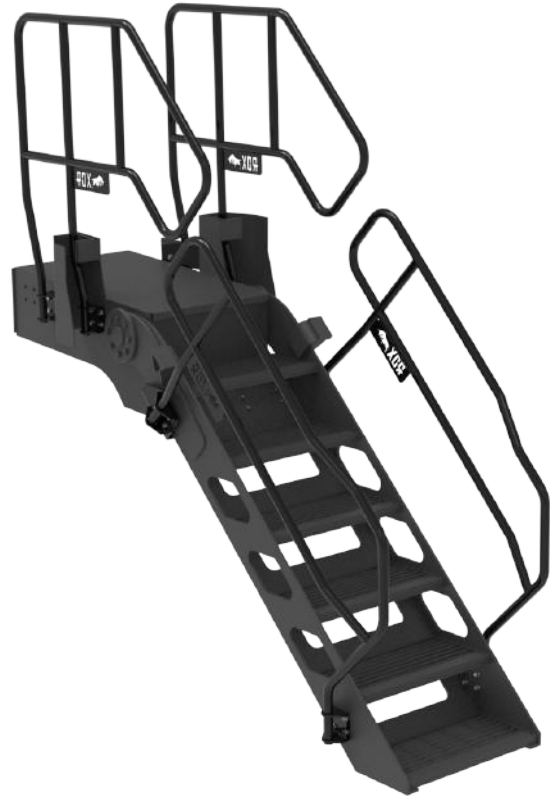
CAT 785C POWERED STAIRWAY HANDRAIL CONVERSION KIT

Part No. 5607999

Bolt-On OEM Improvement design for Powered Stairway Handrails. Suits CAT 785C (APX).

Features:

- Heavy-duty steel construction
- Powdercoated Black
- Bolt-on improved design
- Certified and compliant with Australian Standards



CAT 785D CORNER PLATFORM MODULE RH

Part No. 5608877

Direct replacement for CAT OEM No. 285-0713, 388-1454, 5T-0087.

Features:

- Suits 785D MSY, DMC, ZSP
- Heavy-duty steel construction
- Finished in CAT yellow
- Stocked & ready for immediate despatch

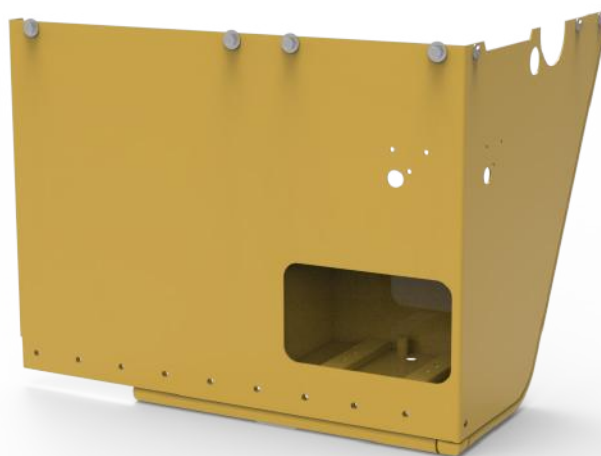
CAT 785D FENDER LH

Part No. 5608882

Direct replacement for OEM No. 285-0779.

Features:

- Suits 785D MSY, DMC, ZSP
- Heavy-duty steel construction
- Optional Armour Flex coating for extra protection
- Finished in CAT yellow
- Stocked & ready for immediate despatch



CAT 785D NOSE CONE

Part No. 5608881

Direct replacement for CAT OEM No. 310-6871.

Features:

- Heavy-duty steel construction
- Finished in CAT yellow
- Stocked & ready for immediate despatch



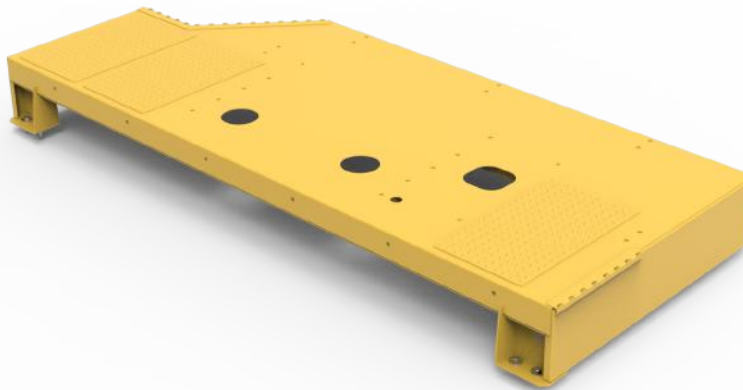
CAT 785D FRONT HOOD

Part No. 5608887

Direct replacement for CAT OEM No. 311-4942.

Features:

- Heavy-duty steel construction
- Finished in CAT yellow
- Stocked & ready for immediate despatch



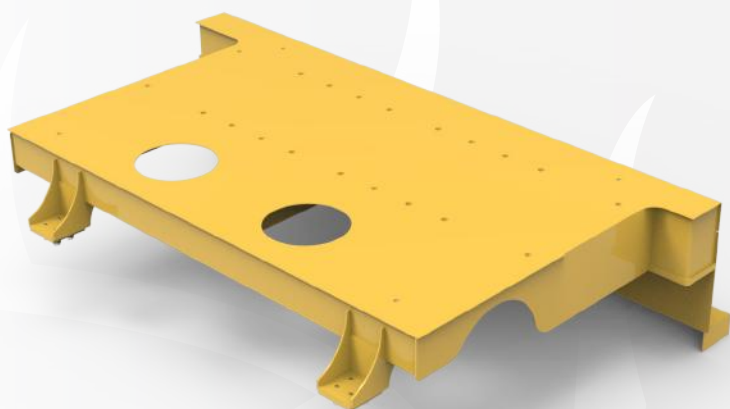
CAT 785D REAR HOOD

Part No. 5608888

Direct replacement for CAT OEM No. 311-7360.

Features:

- Heavy-duty steel construction
- Finished in CAT yellow
- Stocked & ready for immediate despatch



**CAT
789 HAUL TRUCK**



ELIMINATING DOWNTIME MAXIMISING EFFICIENCY.



CAT 789B/C FUEL TANK

Part No. 5609060

ROX's 789B/C Fuel Tank is a cost-effective replacement for CAT OEM No. **151-3177**.

Features:

- Heavy-duty steel construction
- Optional Armour Flex coating for extra protection
- Fast-fill options available
- Fitting kit available
- Complete with all components
- Stocked and ready for despatch
- Available for ROX Service Exchange [see page 46]



CAT 789D FUEL TANK

Part No. 5607789

ROX's 789D Fuel Tank is a direct replacement for CAT OEM No. **347-0420**.

Features:

- Heavy-duty steel construction
- Optional Armour Flex coating for extra protection
- Fast-fill options available
- Delivered in certified transport frame
- Complete with all components
- Stocked and ready for despatch
- Available for ROX Service Exchange [see page 46]





CAT 789D FUEL TANK MUD GUARD ASSEMBLY

Part No. 5601309

Direct replacement for OEM part 586-8764 and 602-4678.

Features:

- Includes mounting components for fuel tank side (603-2523)
- Prevents damage caused by mud, water & debris
- Suits CAT 789D AX7, XDT, SPD and 789 WRL

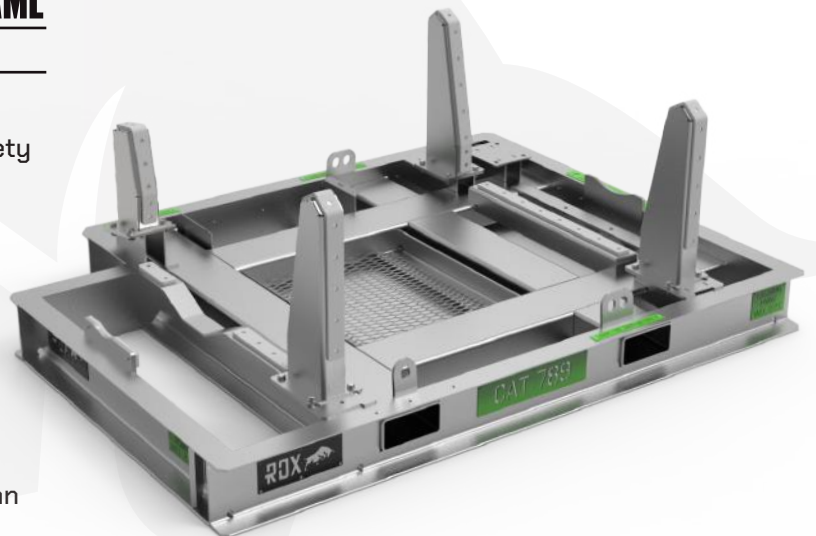
CAT 789C/D FUEL TANK TRANSPORT FRAME

Part No. 5607180

A designed and engineered Transport/Storage Frame for the CAT 789 Fuel Tank. Maximises safety and efficiency during transport and storage.

Features:

- Heavy-duty steel construction
- Side support uprights with protective lining
- Hot dip galvanised finish
- Fitted with forklift slots
- Ratchet straps included
- Tie-down lugs
- Designed, engineered and certified to Australian Standards



CAT 789D RH CORNER MODULE

Part No. 5600542

Direct replacement for CAT OEM No. 288-5613.
In stock & ready for immediate despatch.

Features:

- Heavy-duty steel construction
- Fitted with a non-slip deck
- Finished in CAT yellow
- Direct replacement for CAT OEM No. 288-5613
- Certified and compliant with Australian Standards
- Stocked and ready for immediate despatch



CAT 789D HANDRAIL CONVERSION

Part No. 5501853

Direct replacement for CAT OEM No. 328-1140.

Individual parts:

- Platform Handrail LH (1) - 5000282
- Platform Handrail RH (2) - 5000281
- Stairway Handrail LH (3) - 5000284
- Stairway Handrail RH (4) - 5000283

Features:

- Heavy-duty steel construction
- Mounts in existing bolt holes on top
- Ladder handrails simply require welded stud plates for bolting handrails on





CAT 789D POWERED STAIRWAY HANDRAIL CONVERSION KIT

Part No. 5607997

Bolt-On OEM Improvement design for Powered Stairway Handrails. Suits CAT 789D (SPD)

Features:

- Heavy-duty steel construction
- Bolt-on improved design
- Powdercoated Black
- Certified and compliant with Australian Standards

**ELIMINATING DOWNTIME,
MAXIMISING EFFICIENCY.**

**CAT
793 HAUL TRUCK**

CAT 793F

793F

50/80 R 57 X 280

MICHELIN

ELIMINATING DOWNTIME. MAXIMISING EFFICIENCY.



CAT 793F FUEL TANK

Part No. 5600635

ROX's 793F Fuel Tank is a direct replacement for CAT OEM No. 380-1454.

Features:

- Heavy-duty steel construction
- Optional Armour Flex coating for extra protection
- Fast-fill options available
- Delivered in certified transport frame
- Complete with all components
- Stocked and ready for despatch
- Available for ROX New for Old (NFO) Exchange (see page 46)



CAT 793D/F FUEL TANK TRANSPORT AND INSTALLATION FRAME

Part No. 5504650

A frame that has been designed and engineered for transport and installation of CAT 793D and 793F fuel tanks.

Features:

- Heavy-duty steel construction
- Side support uprights with protective lining
- Hot dip galvanised finish
- Fitted with forklift slots
- Ratchet straps included
- Tie-down lugs

CAT 793F CORNER MODULE

Part No. 5504223

Direct replacement for CAT OEM No. **300-4166** & **366-3292** (Area B). Certified and compliant with Australian Standards.

Features:

- Heavy-duty steel construction
- Fitted with a non-slip deck
- Includes handrail kit
- Finished in CAT Yellow
- AHS integration available
- Stocked and ready for despatch



CAT 793F HYDRAULIC TANK

Part No. 5610826

ROX's CAT 793F Hydraulic Tank is a cost-effective OEM replacement. Delivered as a sealed unit.

Features:

- CAT 793F Hydraulic Tank to suit **RBT, SXP, RB4, D3T, SSP** and **793 TWN**. Direct replacement for OEM part **493-2460**.
- Delivered as a sealed unit
- Stocked and ready for despatch

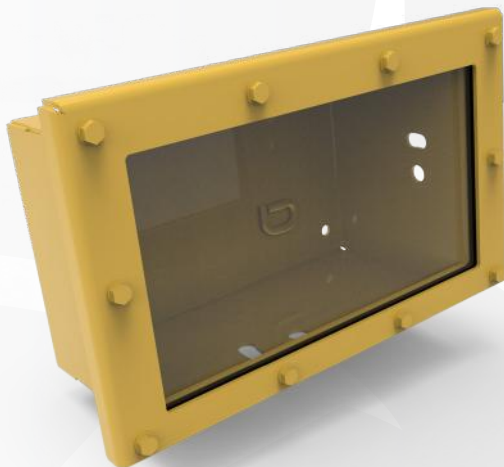
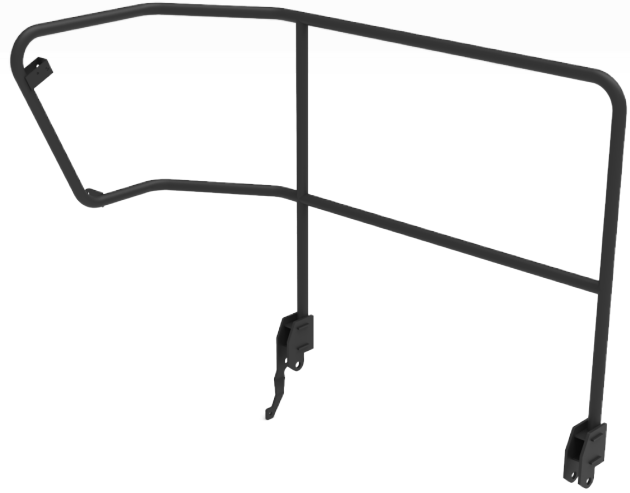
CAT 793F BEHIND CAB HANDRAIL LH

Part No. 5600043

An improved replacement for OEM No. **438-9864**. Heavy-duty steel handrail designed and engineered to provide safety while behind the cab of a CAT 793F.

Features:

- Heavy-duty steel construction
- Finished in Y-14 Safety Yellow, Satin Black, or to site requirement



CAT 793F AUTONOMOUS DETECTION BOX ASSEMBLY

Part No. 5600371

Direct replacement for OEM No. **355-8398**. A cost effective replacement for the CAT minestar box.

Features:

- Includes box, clear lens, gaskets, fixings and clamp plate
- Excluding electrical components
- Finished in CAT Yellow

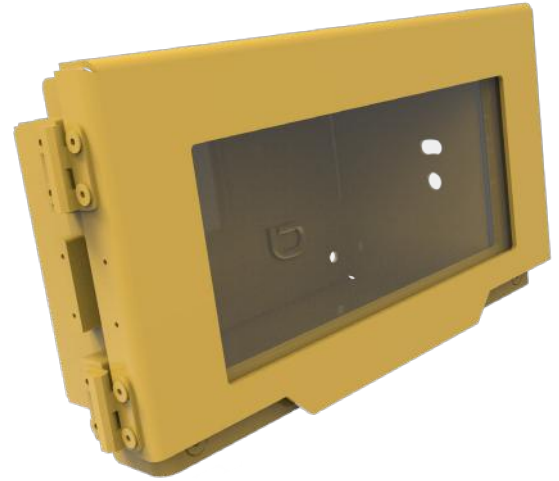
CAT 793F AMT RADAR BOX ACCESS COVER SET

Part No. 5506566

Custom designed hinged radar box covers to replace OEM No. **355-8398**. Durable design for protection from the harsh environment and hinged for ease of access.

Features:

- Includes 3x CAT 793F AMT Radar Box Access Cover [5506565]
- Reversible, bolt-on design
- Neoprene seal gaskets
- Steel parts finished in CAT Yellow



CAT 793F FULL HANDRAIL CONVERSION KIT - NEW STYLE

Part No. 5600300

Direct replacement for CAT OEM No. **328-1140**. This conversion kit is designed specifically to suit the upgraded ladder (contact team if unsure).

Individual parts:

- Platform Handrail RH (1) - 5600296
- Platform Handrail LH (2) - 5600297
- Stairway Handrail RH (3) - 5600298
- Stairway Handrail LH (4) - 5600299

Features:

- Heavy-duty steel construction
- Mounts in existing bolt holes on top
- Ladder handrails simply require welded stud plates for bolting handrails on

CAT 793F/D HANDRAIL CONVERSION

Part No. 5501853

Direct replacement for CAT OEM No. 328-1140.

Individual parts:

- Platform Handrail LH (1) - 5000282
- Platform Handrail RH (2) - 5000281
- Stairway Handrail LH (3) - 5000284
- Stairway Handrail RH (4) - 5000283

Features:

- Heavy-duty steel construction
- Mounts in existing bolt holes on top
- Ladder handrails simply require welded stud plates for bolting handrails on



CAT 793D POWERED STAIRWAY HANDRAIL CONVERSION KIT

Part No. 5607996

Bolt-On OEM Improvement design for Powered Stairway Handrails. Suits CAT 793D (FBD).

Features:

- Heavy-duty steel construction
- Powdercoated Black
- Bolt-on improved design
- Certified and compliant with Australian Standards

**CAT
797 HAUL TRUCK**

797B

CAT

ELIMINATING DOWNTIME, MAXIMISING EFFICIENCY.



CAT 797B FUEL TANK

Part No. 5601837

ROX's CAT 797F Fuel Tank is a cost-effective replacement for OEM part **238-4867**.

Features:

- Optional Armour Flex coating for extra protection
- Fast-fill options available
- Complete with all components
- Stocked and ready for despatch



**ELIMINATING DOWNTIME,
MAXIMISING EFFICIENCY.**

**CAT
854K WHEEL DOZER**



ELIMINATING DOWNTIME, MAXIMISING EFFICIENCY.



CAT 854K / 992K FUEL TANK – RIGHT

Part No. 5600883

ROX's CAT 854K/992K Fuel Tank is a cost-effective replacement for OEM part **362-3422** and **235-6104**. Complete with all components and designed to be stronger and more robust.

Features:

- Optional Armour Flex coating for extra protection
- Fast-fill options available
- Complete with all components
- Stocked and ready for despatch



CAT 854K / 992K FUEL TANK – CENTRE

Part No. 5600884

ROX's CAT 854K/992K Fuel Tank is a cost-effective replacement for OEM part **342-7759** and **289-2986**. Complete with all components and designed to be stronger and more robust.

Features:

- Optional Armour Flex coating for extra protection
- Fast-fill options available
- Complete with all components
- Stocked and ready for despatch

CAT 854K / 992K FUEL TANK – LEFT

Part No. 5600885

ROX's CAT 854K/994K Fuel Tank is a cost-effective replacement for OEM part **348-7310** and **235-6103**. Complete with all components and designed to be stronger and more robust.

Features:

- Optional Armour Flex coating for extra protection
- Fast-fill options available
- Complete with all components
- Stocked and ready for despatch



CAT 854K EMERGENCY EGRESS LADDER

Part No. 5502306

This design is a result of a reoccurring incident on mine sites, where emergency ladders on CAT 854K machines are damaged and destroyed weekly. Certified & compliant with Australian Standards.

Features:

- WLL: 150kg
- Non-slip ladder nosings
- High strength aluminium ladder
- Heavy-duty steel main frame
- Torqued gear unit for controlled release & easy lifting
- Heavy-duty roller guides
- Release pedal for operating on the truck
- Patented design
- Non-slip ladder rungs



CAT 854K FRONT HANDRAIL KIT

Part No. 5504732

Handrails designed and engineered for protection of maintenance personnel on the front of the CAT 854K.

Features:

- Heavy-duty aluminium ladder and sides
- Heavy-duty steel main frame
- Non-slip grating on decks
- Non-slip nosings on edges of decks
- Access gate with vibration safe latch
- Vibration damping handrail mounts
- Finished in Y-14 Safety Yellow

CAT 994H WHEEL LOADER

CAT 994 EMERGENCY EGRESS LADDER

Part No. 5504157

This design is a result of a reoccurring incident on mine sites, where emergency ladders on CAT 994 machines are damaged and destroyed weekly. Certified & compliant with Australian Standards.

Features:

- WLL: 150kg
- Non-slip ladder nosings
- High strength aluminium ladder
- Heavy-duty steel main frame
- Torqued gear unit for controlled release & easy lifting
- Heavy-duty roller guides
- Release pedal for operating on the truck
- Patented design



BUILT BETTER 

ROX 

ROX 

ROX FUEL TANKS

We provide value that is unrivalled in the industry when it comes to ROX fuel tanks.

Tanks come complete with all fitting components, with optional features such as Armour Flex coating for enhanced protection, a certified transport and installation frame for maximised safety and efficiency, and a range of fast-fill fuel injection options to suit your sites requirements.

SX VS REFURB

We understand that above all this is a time sensitive process, so our aim is to ensure you are receiving a fully operational replacement tank without incurring unnecessary downtime.

The first step is to reach out to one of our ROX team to discuss the extent of damage, your current stock level (and time sensitivity) and other specific requirements. From there we can determine the best path to take. Depending on the urgency, we can send out one of our stocked tanks with no project lead time, otherwise we will provide a quote and lead time on a full tank refurbishment.





FUEL TANK REFURBISHMENT

1. Tank is stripped back, cleaned, NDT crack test and thickness testing
2. Finalise scope of works and quote
3. Reweld cracks and carry out repairs as per AS1692-2006
4. Pressure test with air to 35kPa (unless noted otherwise) and hold for 40 min
5. Surface treatment with optional Armour Flex coating for extra protection or finished in machine colour
6. Returned to site on certified fuel tank transport and installation frame

SERVICE EXCHANGE

1. A brand new ROX fuel tank is despatched within 48 hours of purchase
2. Tank arrives to your site on a certified ROX transport and installation frame, complete with any site required modifications
3. New tank is installed and old tank is returned back to us on the frame

A simple process which delivers exceptional value and will significantly minimise downtime. Reach out to the ROX team if you have any questions about our fuel tanks, refurbishments, or service exchange.

HITACHI EX1900 EXCAVATOR

HITACHI

EX1900

ELIMINATING DOWNTIME, MAXIMISING EFFICIENCY.



HITACHI EX1900 FENDERS

Ref.	ROX Part No.	OEM Part No.
R1.	5502000	6025286
R2.	5501999	6025284
R3.	5501998	6025283
R4.	5501997	7042059
L1.	5501996	5011515
L2.	5501995	6025792



HITACHI EX1900 FENDERS HANDRAILS

Ref.	ROX Part No.	OEM Part No.
1.	5502088	8106702
2.	5502087	7052178
3.	5600966	8110995
4.	5502086	7052170
5.	5502001	7052169
6.	5600967	7052302
7.	5600968	7052303
8.	5600969	8106402
9.	5600568	8108373
10.	5502083	7052323

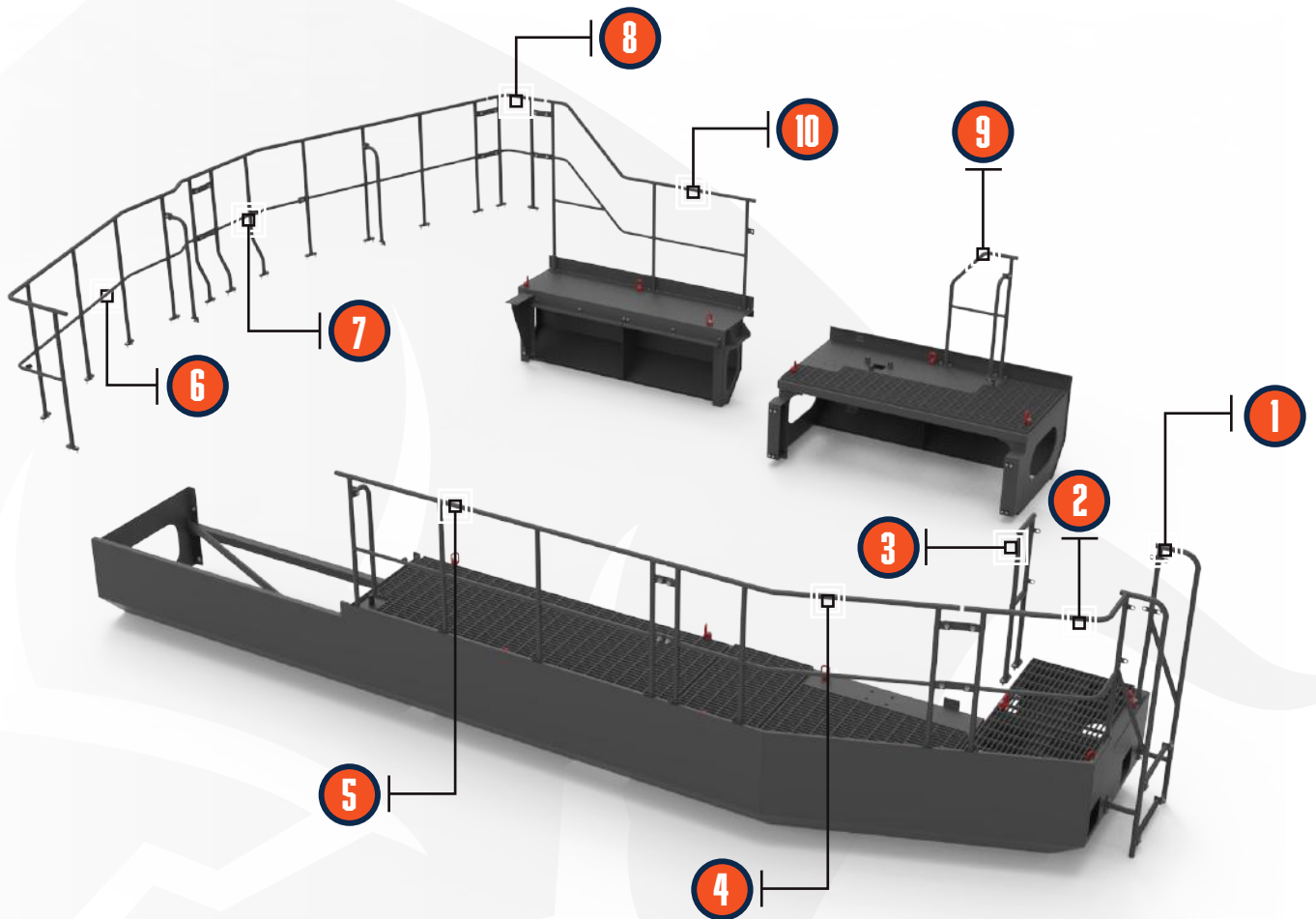


HITACHI EX1900-6 FENDER HANDRAIL

Features:

- Direct OEM Replacement
- Heavy-duty Steel Construction
- Certified and Compliant with Australian Standards
- Stocked and Ready for Immediate Despatch
- Supplied with bolts

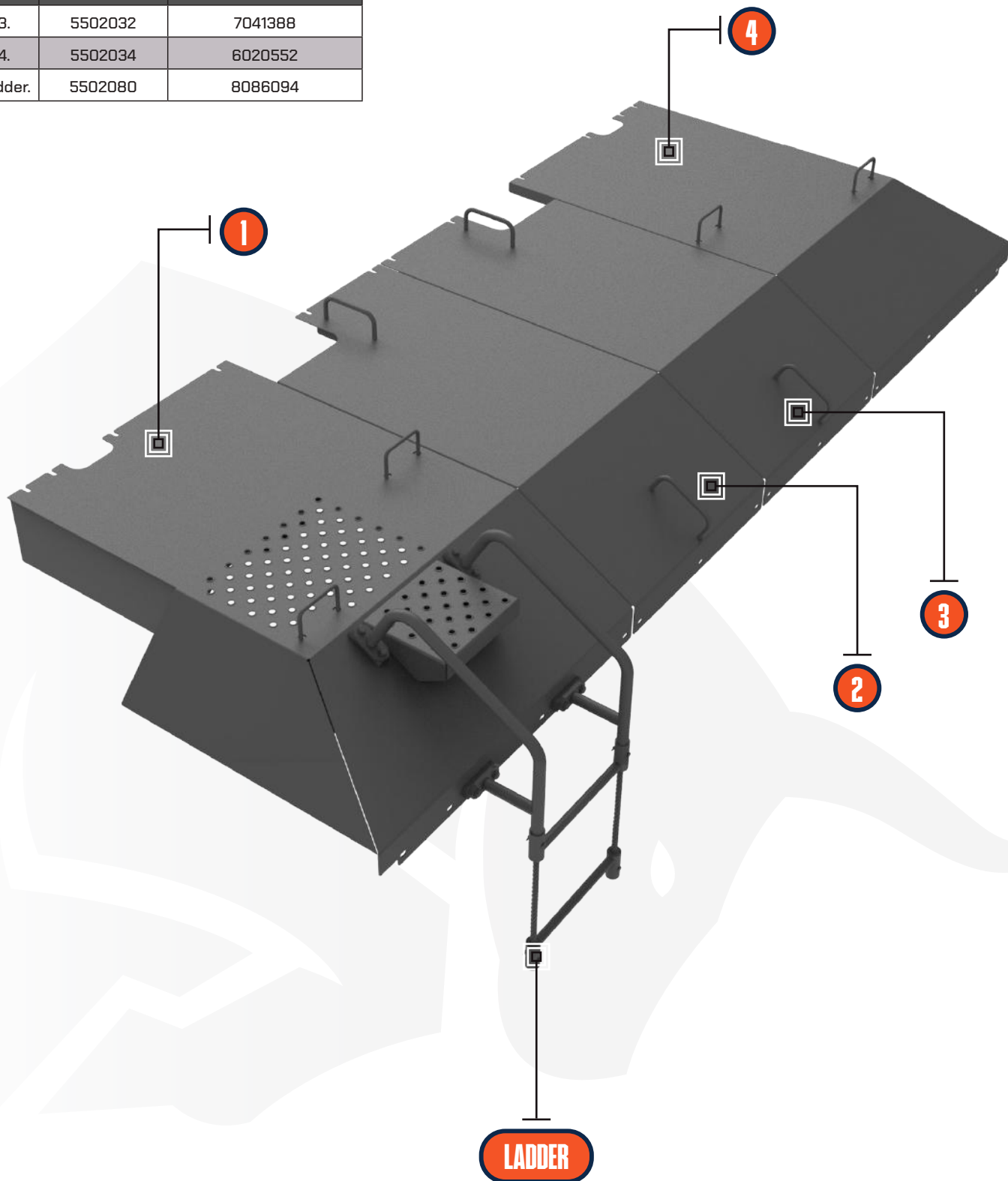
HANDRAILS AND FENDERS ARE SOLD SEPARATELY.



SEE FENDERS FOR HITACHI EX1900 ON PAGE 45

HITACHI EX1900
TRAVEL MOTOR COVERS

Ref.	ROX Part No.	OEM Part No.
1.	5502033	6020529
2.	5502031	7041385
3.	5502032	7041388
4.	5502034	6020552
Ladder.	5502080	8086094



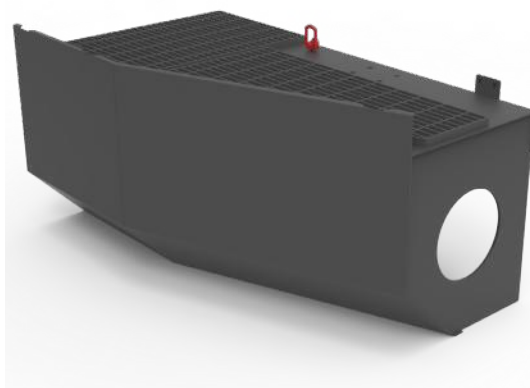


HITACHI EX1900-6 FENDER R1

Part No. 5502000

Features:

- Construction: Heavy-duty steel
- Certified and compliant with Australian Standards
- Direct replacement for OEM No. **6025286**
- Stocked and ready for immediate despatch
- Certified lifting lugs for safer and more efficient installation
- OEM replacement fender handrail available

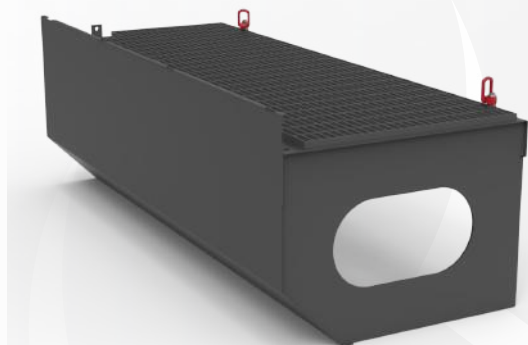


HITACHI EX1900-6 FENDER R2

Part No. 5501999

Features:

- Construction: Heavy-duty steel
- Certified and compliant with Australian Standards
- Direct replacement for OEM No. **6025284**
- Stocked and ready for immediate despatch
- Certified lifting lugs for safer and more efficient installation
- OEM replacement fender handrail available

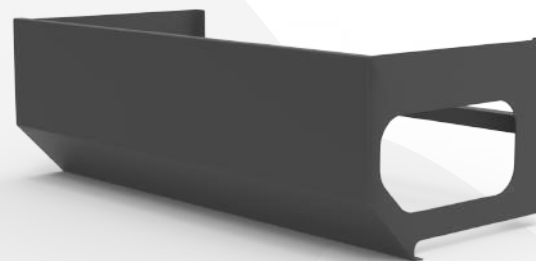


HITACHI EX1900-6 FENDER R3

Part No. 5501998

Features:

- Construction: Heavy-duty steel
- Certified and compliant with Australian Standards
- Direct replacement fro OEM No. **6025283**
- Stocked and ready for immediate despatch
- Certified lifting lugs for safer and more efficient installation
- OEM replacement fender handrail available

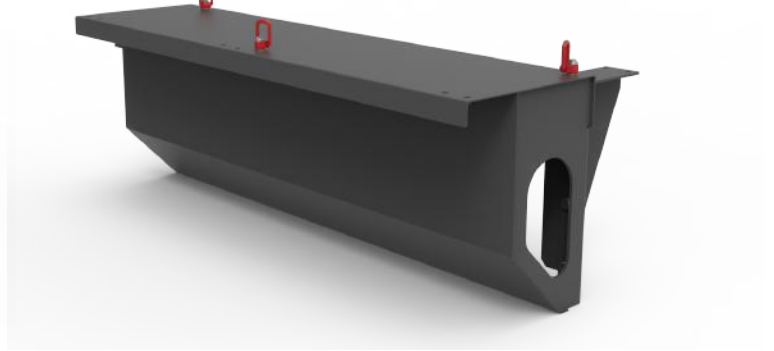
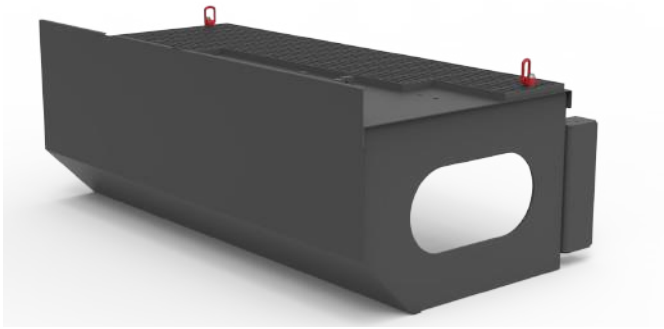


HITACHI EX1900-6 FENDER R4

Part No. 5501997

Features:

- Construction: Heavy-duty steel
- Certified and compliant with Australian Standards
- Direct replacement for OEM No. **7042059**
- Stocked and ready for immediate despatch
- OEM replacement fender handrail available
- Suits models EX1900-5, EX1900-6



HITACHI EX1900-6 FENDER L1

Part No. 5501996

Features:

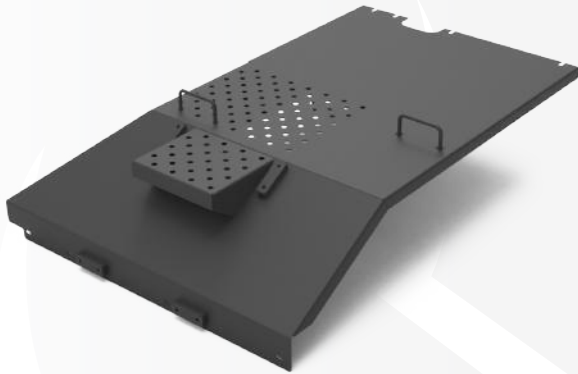
- Construction: Heavy-duty steel
- Certified and compliant with Australian Standards
- Direct replacement for OEM No. 5011515
- Stocked and ready for immediate despatch
- Certified lifting lugs for safer and more efficient installation
- OEM replacement fender handrail available

HITACHI EX1900-6 FENDER L2

Part No. 5501995

Features:

- Construction: Heavy-duty steel
- Certified and compliant with Australian Standards
- Direct replacement for OEM No. 6025792
- Stocked and ready for immediate despatch
- Certified lifting lugs for safer and more efficient installation
- OEM replacement fender handrail available

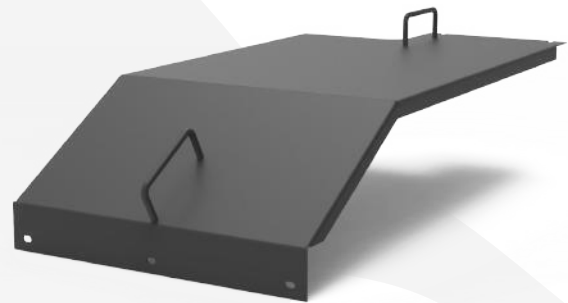


HITACHI EX1900 TRAVEL MOTOR COVER 1

Part No. 5502033

Features:

- Construction: Heavy-duty steel
- Certified and compliant with Australian Standards
- Direct replacement for OEM No. 6020529
- Stocked and ready for immediate despatch
- Suits models EX1900-5, EX1900-6

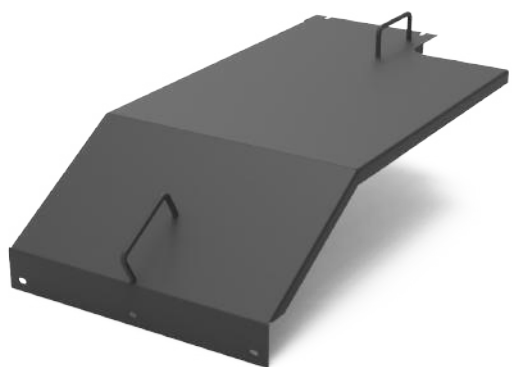


HITACHI EX1900 TRAVEL MOTOR COVER 2

Part No. 5502031

Features:

- Construction: Heavy-duty steel
- Certified and compliant with Australian Standards
- Direct replacement for OEM No. 7041385
- Stocked and ready for immediate despatch
- Suits models EX1900-5, EX1900-6

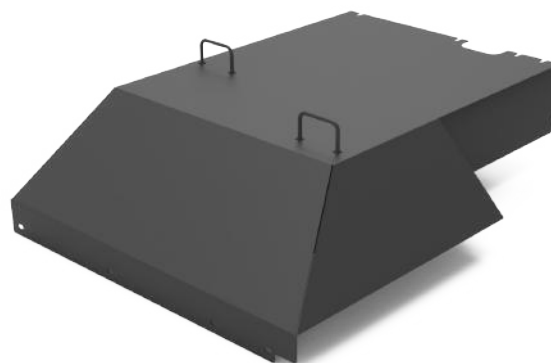


HITACHI EX1900 TRAVEL MOTOR COVER 3

Part No. 5502032

Features:

- Construction: Heavy-duty steel
- Certified and compliant with Australian Standards
- Direct replacement for OEM No. **7041388**
- Stocked and ready for immediate despatch
- Suits models EX1900-5, EX1900-6



HITACHI EX1900 TRAVEL MOTOR COVER 4

Part No. 5502034

Features:

- Construction: Heavy-duty steel
- Certified and compliant with Australian Standards
- Direct replacement for OEM No. **6020552**
- Stocked and ready for immediate despatch
- Suits models EX1900-5, EX1900-6

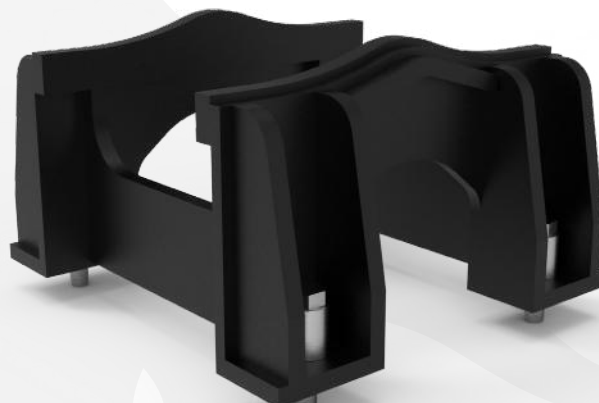


TRACK FRAME GUARD - FRONT

Part No. 5502043

Features:

- Construction: Heavy-duty steel
- Bolts and spacers included
- Direct replacement for OEM No. **7026071**
- Suits models EX1900-5, EX1900-6



TRACK FRAME GUARD - MIDDLE / REAR

Part No. 5502044

Features:

- Construction: Heavy-duty steel
- Bolts and spacers included
- Direct replacement for OEM No. **7026024**
- Suits models EX1900-5, EX1900-6



HITACHI EX1900 TRAVEL TRANSMISSION GUARD SET

Part No. 5502045

Features:

- Heavy-duty steel construction
- Certified and compliant with Australian Standards
- Direct replacement for OEM set: 4x 8099257, 4x 4631377, 8x 4631376 + Fasteners
- Stocked and ready for immediate despatch
- Suits Hitachi EX1900-5 and EX1900-6



HITACHI EX1900-6 ACCESS LADDER

Part No. 5502080

Features:

- Heavy-duty steel construction
- Certified and compliant with Australian Standards
- Direct replacement for OEM No. 8086094
- Stocked and ready for immediate despatch
- Suits models EX1900-5, EX1900-6



HITACHI EX1900-6 FENDER BRACKET

Part No. 5502081

Features:

- Heavy-duty steel construction
- Certified and compliant with Australian Standards
- Direct replacement for OEM No. 8108328
- Stocked and ready for immediate despatch

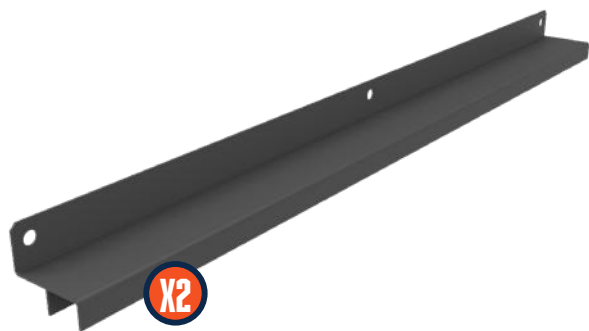


HITACHI FENDER BRACKET

Part No. 5502082

Features:

- Heavy-duty steel construction
- Certified and compliant with Australian Standards
- Direct replacement for OEM No. 8108437
- Stocked and ready for immediate despatch
- Suits models EX1900-6, EX2600-6



HITACHI EX1900-6 COVER

Part No. 5502085

Features:

- Heavy-duty steel construction
- Certified and compliant with Australian Standards
- Direct replacement for OEM No. **8110813**
- Stocked and ready for immediate despatch
- 2x units per Hitachi EX1900-6 Fender L2



HITACHI EX1900-6 HANDRAIL PLATE

Part No. 5502084

Features:

- Construction: Heavy-duty steel
- Certified and compliant with Australian Standards
- Direct replacement for OEM No. **4666721**
- Stocked and ready for immediate despatch
- Suits Hitachi EX1900-6



HITACHI EX1900-6 HANDRAIL PIPE

Part No. 5600963

Features:

- Heavy-duty steel construction
- Certified and compliant with Australian Standards
- Direct replacement for OEM No. **9767357**
- Stocked and ready for immediate despatch
- Suits Hitachi EX1900-6
- OEM replacement fender SKU 5501998



HITACHI EX1900-6 HANDRAIL PLATE

Part No. 5600964

Features:

- Construction: Heavy-duty steel
- Certified and compliant with Australian Standards
- Direct replacement for OEM No. **4660306**
- Stocked and ready for immediate despatch
- Suits Hitachi EX1900-6, EX2500-6, EX2600-6



HITACHI EX1900-6 HANDRAIL PIPE

Part No. 5600965

Features:

- Construction: Heavy-duty steel
- Direct replacement for OEM No. **9744601** & **4721667**
- Suits Hitachi EX1900-5, EX1900-6 EX2500-5, EX2600-6, EX3600-5, EX5600-6, EX8000-6
- Certified and compliant with Australian Standards
- Stocked and ready for immediate despatch



HITACHI EX1900-6 COUNTERWEIGHT HANDRAIL PIPE

Part No. 5600970

Features:

- Construction: Heavy-duty steel
- Direct replacement for OEM No. **9767731**
- Suits Hitachi EX1900-6
- Certified and compliant with Australian Standards
- Stocked and ready for immediate despatch
- OEM replacement handrail SKU 5600968

**ELIMINATING DOWNTIME,
MAXIMISING EFFICIENCY.**

**HITACHI
EX2500 / EX2600 EXCAVATOR**

ELIMINATING DOWNTIME, MAXIMISING EFFICIENCY.



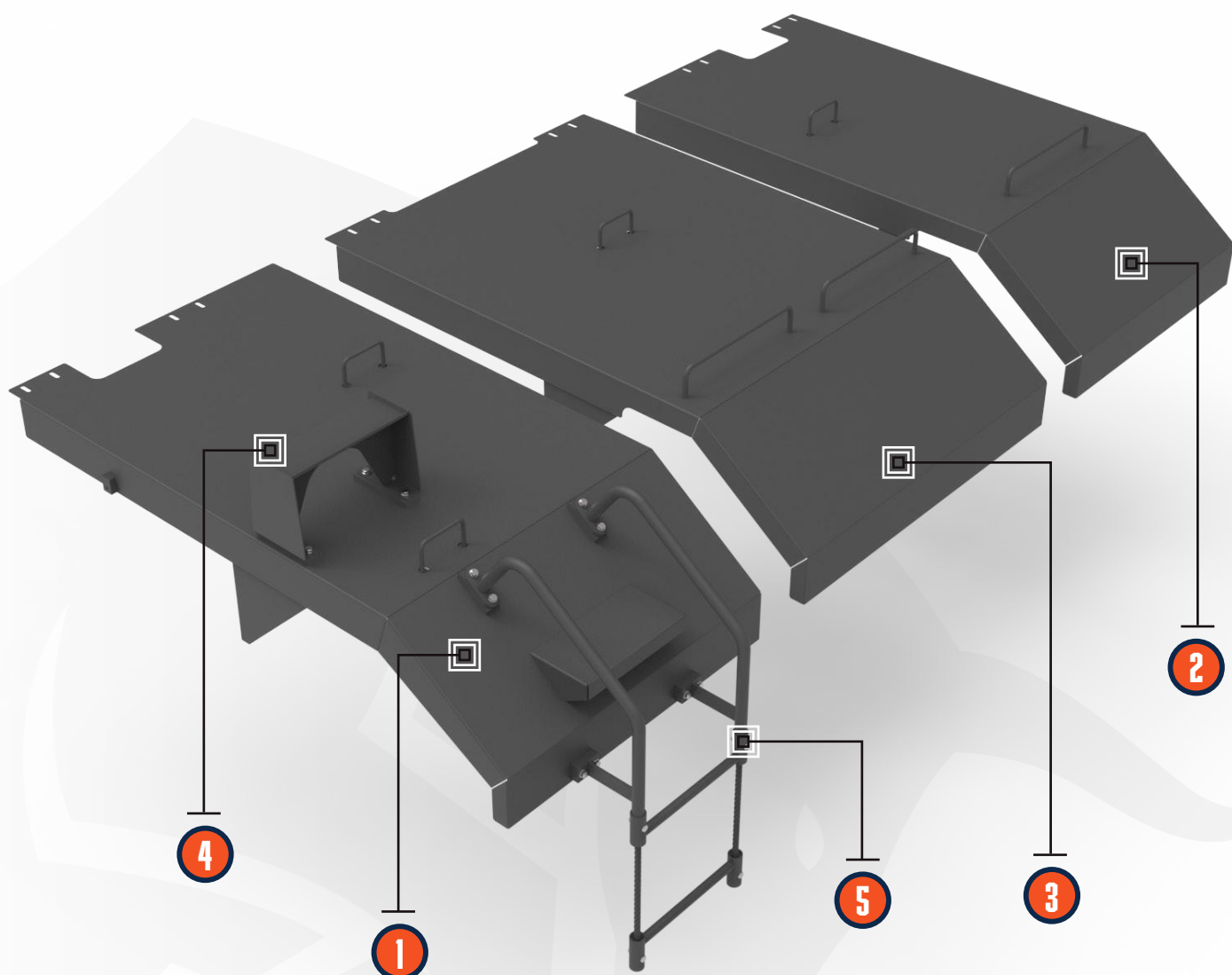
HITACHI EX2500 FENDERS

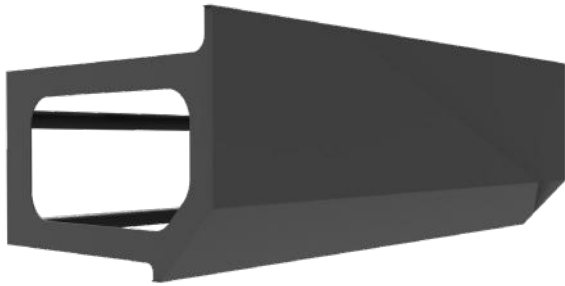
Ref.	ROX Part No.	OEM Part No.
R1.	5502052	6024996
R2.	5502051	5010985
R3.	5502050	5010976
R4.	5502053	7030106
L1.	5502054	5011381



HITACHI EX2600
TRAVEL MOTOR COVERS

Ref.	ROX Part No.	OEM Part No.
1.	5502057	6019554
2.	5502056	6016469
3.	5502058	6020327
4.	5502060	8081761
5.	5502059	8061435



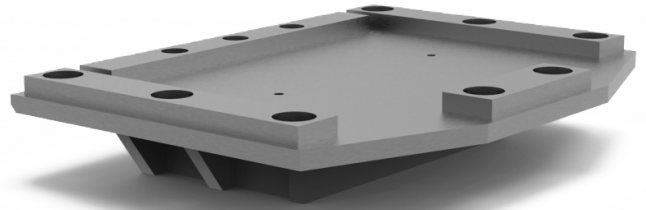


HITACHI EX2500-6 FENDER R4

Part No. 5502053

Features:

- Construction: Heavy-duty steel
- Certified and compliant with Australian Standards
- Direct replacement for OEM No. 7030106
- Stocked and ready for immediate despatch
- Suits models EX2500-5, EX2500-6

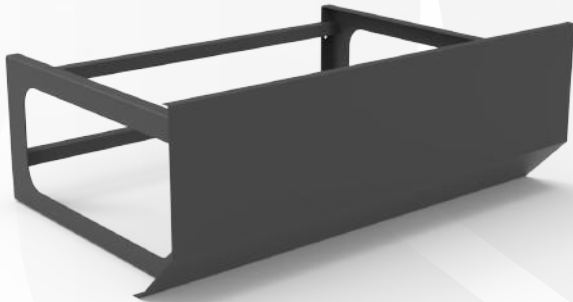


HITACHI EX2500 BASH PLATE

Part No. 5500152

Features:

- Construction: Heavy-duty steel
- Modular design
- Painted to site or machine specific colours



HITACHI EX2500-6 FENDER L2

Part No. 5502055

Features:

- Heavy-duty steel construction
- Certified and compliant with Australian Standards
- Direct replacement for OEM No. 7051609
- Stocked and ready for immediate despatch



HITACHI EX2500 CYLINDER PROTECTION

Part No. 5503492

Features:

- Extremely robust, flexible rock deflection
- Provides full cover to the ram with no excess weight or restriction
- Fitting components supplied
- Cost effective solution, easy to install
- Stocked and ready for despatch
- Suits model EX2500-6

ROX

OPEN CUT MACHINE PARTS

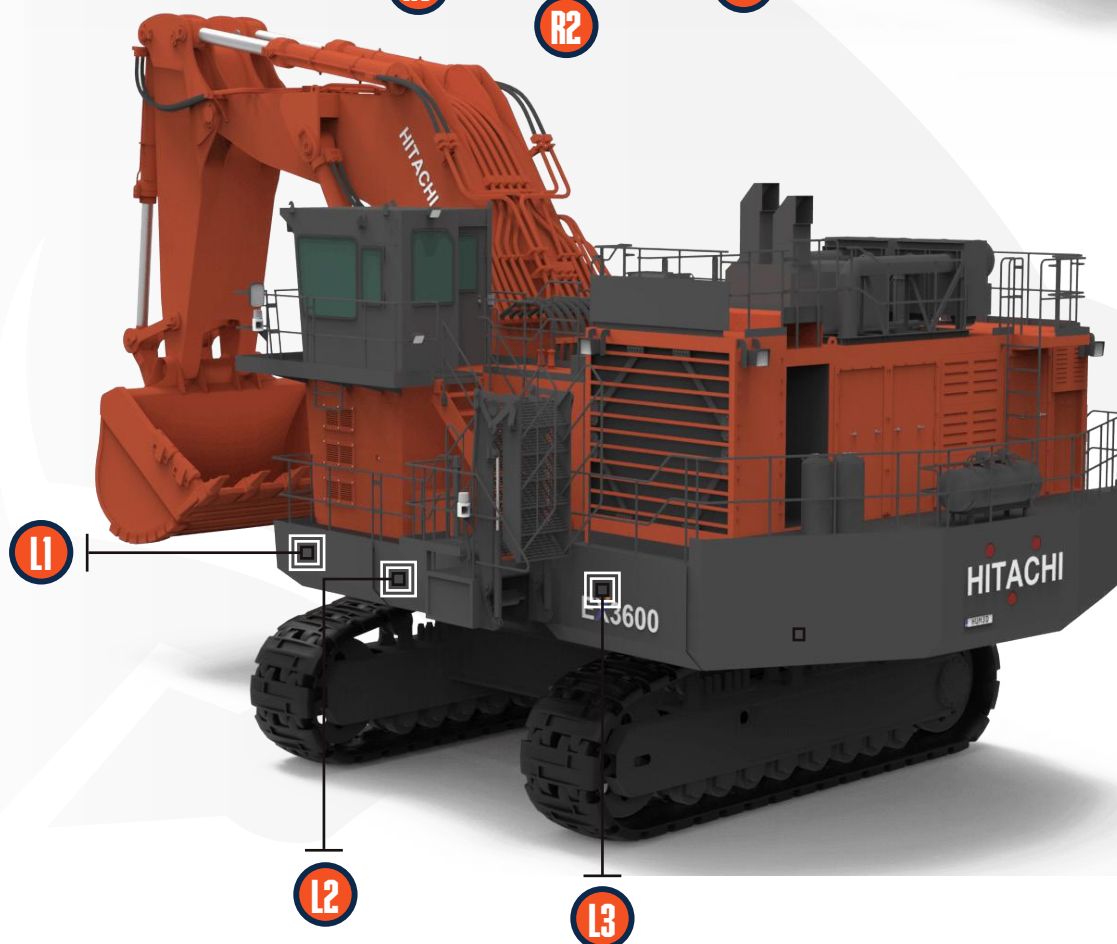
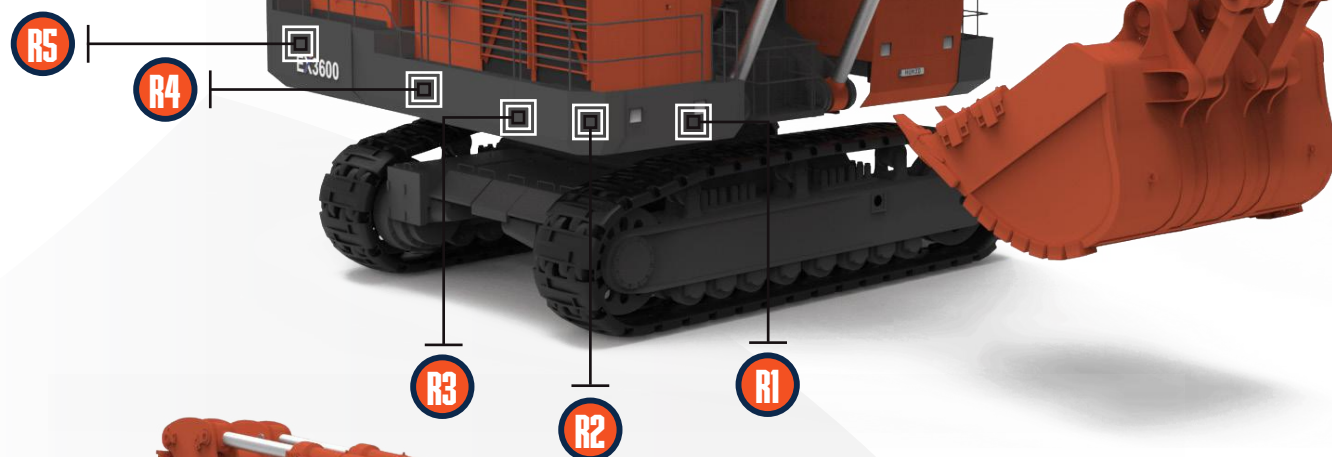
HITACHI EX3600 EXCAVATOR

ELIMINATING DOWNTIME, MAXIMISING EFFICIENCY.



HITACHI EX3600 FENDERS

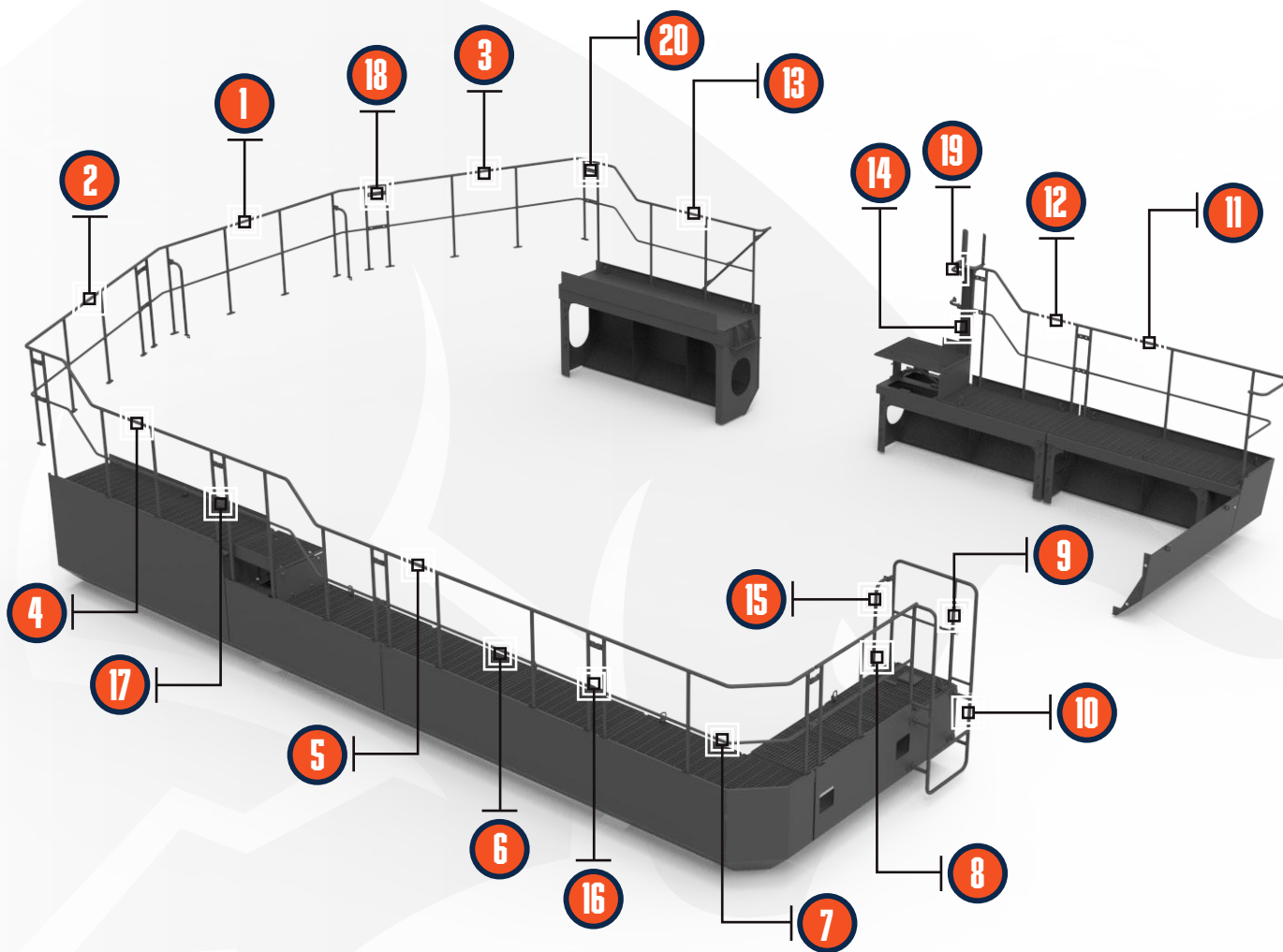
Ref.	ROX Part No.	OEM Part No.
R1.	5502030	5010787
R2.	5502019	6024651
R3.	5502029	6024652
R4.	5502027	6024653
R5.	5502018	5010764 (or 4695175)
L1.	5502024	6024655
L2.	5502026	6024950 (or 6025951)
L3.	5502028	5010763 (or 4695176)



HITACHI EX3600-6 COUNTERWEIGHT CENTRE HANDRAILS

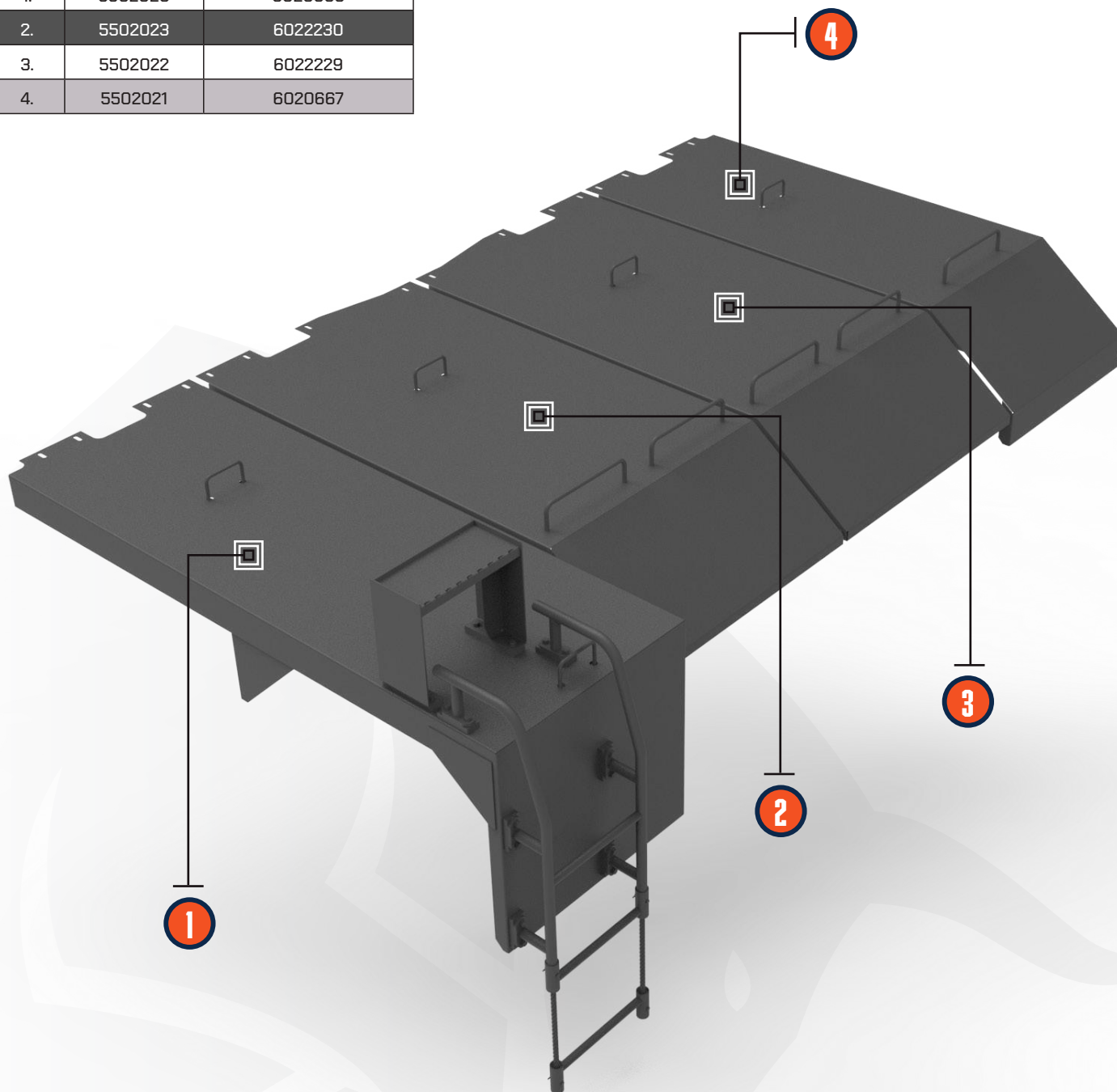
Ref.	ROX Part No.	OEM Part No.
1.	5600849	7037818
2.	5600858	7037816
3.	5600857	7037817
4.	5600851	7050725
5.	5600852	7050726
6.	5600856	7050728
7.	5600853	7050727
8.	5600913	7050687
9.	5600914	8097330
10.	5600915	8097331

11.	5502025	7050720
12.	5600917	7053544
13.	5600850	7050729
14.	5600919	7053558
15.	5600848	4722199
16.	5600846	4401061
17.	5600847	4654615
18.	5600859	4389687
19.	5600918	YA00004286
20.	5502068	4364672



HITACHI EX3600 TRAVEL MOTOR COVERS

Ref.	ROX Part No.	OEM Part No.
1.	5502020	6020666
2.	5502023	6022230
3.	5502022	6022229
4.	5502021	6020667





HITACHI EX3600-6 FENDER R1

Part No. 5502030

Features:

- Construction: Heavy-duty steel
- Certified and compliant with Australian Standards
- Direct replacement for OEM No. 5010787
- Stocked and ready for immediate despatch
- OEM replacement handrail available upon request

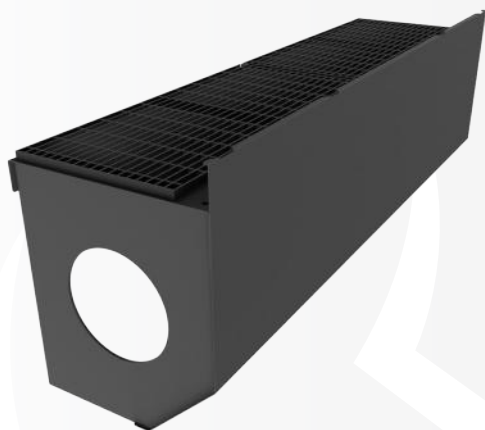


HITACHI EX3600-6 FENDER R2

Part No. 5502019

Features:

- Construction: Heavy-duty steel
- Certified and compliant with Australian Standards
- Direct replacement for OEM No. 6024651
- Stocked and ready for immediate despatch
- OEM replacement handrail available upon request

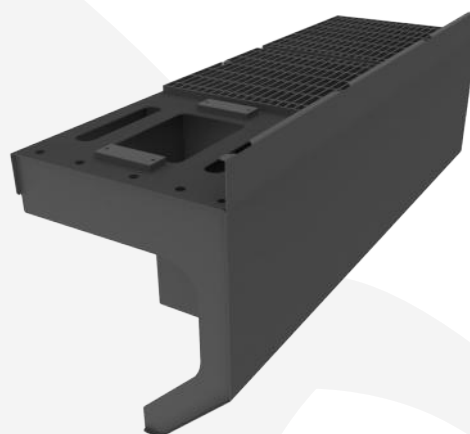


HITACHI EX3600-6 FENDER R3

Part No. 5502029

Features:

- Construction: Heavy-duty steel
- Certified and compliant with Australian Standards
- Direct replacement for OEM No. 6024652
- Stocked and ready for immediate despatch
- OEM replacement handrail available upon request

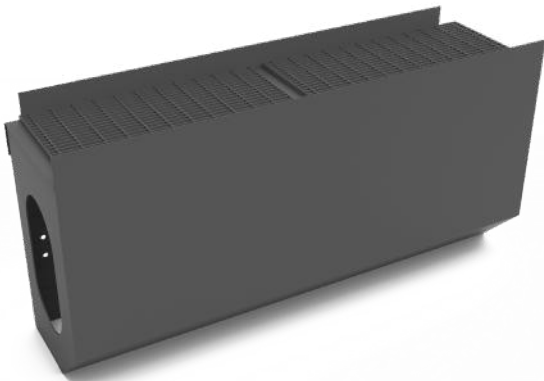


HITACHI EX3600-6 FENDER R4

Part No. 5502027

Features:

- Construction: Heavy-duty steel
- Certified and compliant with Australian Standards
- Direct replacement for OEM No. 6024653
- Stocked and ready for immediate despatch
- OEM replacement handrail available upon request



HITACHI EX3600-6 FENDER R5

Part No. 5502018

Features:

- Construction: Heavy-duty steel
- Certified and compliant with Australian Standards
- Direct replacement for OEM No. **5010764** (or **4695175**)
- Stocked and ready for immediate despatch
- OEM replacement handrail available upon request

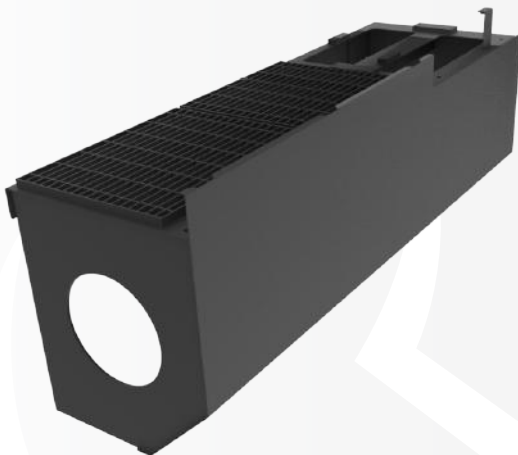


HITACHI EX3600-6 FENDER L1

Part No. 5502024

Features:

- Construction: Heavy-duty steel
- Certified and compliant with Australian Standards
- Direct replacement for OEM No. **6024655**
- Stocked and ready for immediate despatch
- OEM replacement handrail available upon request

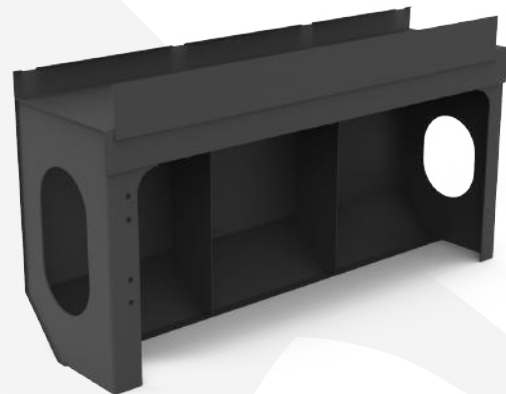


HITACHI EX3600-6 FENDER L2

Part No. 5502026

Features:

- Construction: Heavy-duty steel
- Certified and compliant with Australian Standards
- Direct replacement for OEM No. **6024950**
- Stocked and ready for immediate despatch
- OEM replacement handrail available upon request

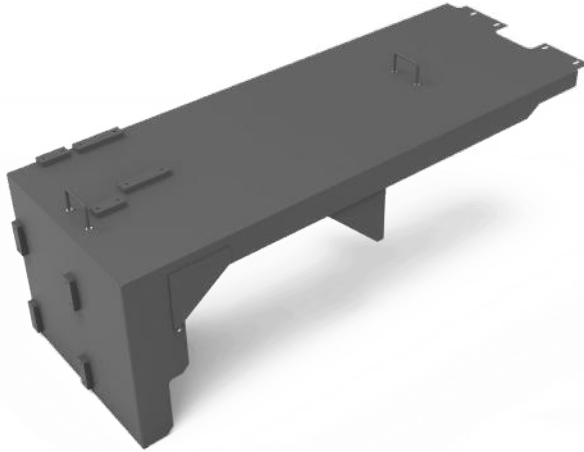


HITACHI EX3600-6 FENDER L3

Part No. 5502028

Features:

- Construction: Heavy-duty steel
- Certified and compliant with Australian Standards
- Direct replacement for OEM No. **5010763** (or **4695176**)
- Stocked and ready for immediate despatch
- OEM replacement handrail available upon request

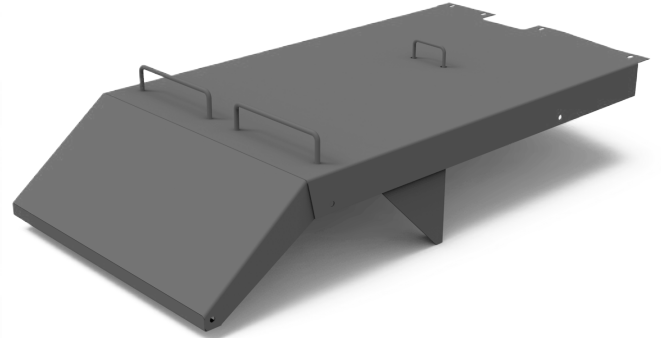


HITACHI EX3600 TRAVEL MOTOR COVER 1

Part No. 5502020

Features:

- Construction: Heavy-duty steel
- Certified and compliant with Australian Standards
- Direct replacement for OEM No. **6020666**
- Stocked and ready for immediate despatch
- Suits models EX3600-5, EX3600-6

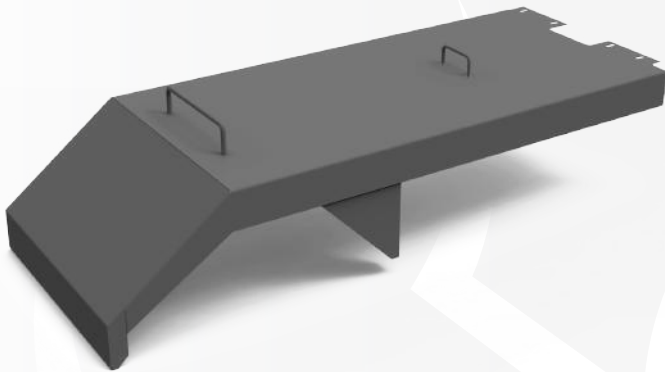


HITACHI EX3600 TRAVEL MOTOR COVER 2

Part No. 5502023

Features:

- Construction: Heavy-duty steel
- Certified and compliant with Australian Standards
- Direct replacement for OEM No. **6022230**
- Stocked and ready for immediate despatch
- Suits models EX3600-5, EX3600-6

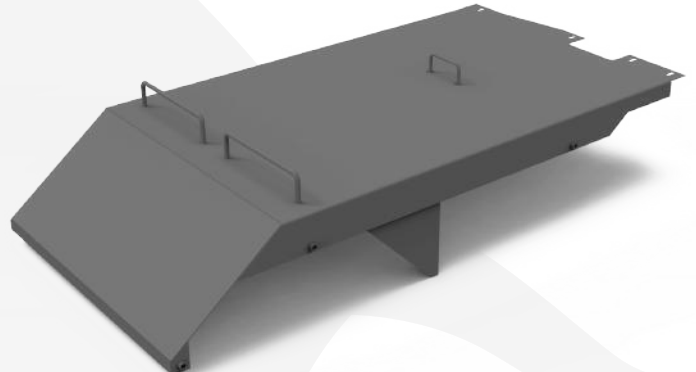


HITACHI EX3600 TRAVEL MOTOR COVER 3

Part No. 5502022

Features:

- Construction: Heavy-duty steel
- Certified and compliant with Australian Standards
- Direct replacement for OEM No. **6022229**
- Stocked and ready for immediate despatch
- Suits models EX3600-5, EX3600-6



HITACHI EX3600 TRAVEL MOTOR COVER 4

Part No. 5502021

Features:

- Construction: Heavy-duty steel
- Certified and compliant with Australian Standards
- Direct replacement for OEM No. **6020667**
- Stocked and ready for immediate despatch
- Suits models EX3600-5, EX3600-6

HITACHI EX3600 TRAVEL TRANSMISSION GUARD ASSEMBLY LH

Part No. 5600176

We offer high-performance replacement guards for the Hitachi EX3600, a part that is constantly damaged during operation.

Includes OEM part numbers:

7041621	8086619
8086617	8086618
7041622	8080534

Features:

- Construction: Heavy-duty steel
- Suits models EX3600-5, EX3600-6



HITACHI EX3600 TRAVEL TRANSMISSION GUARD ASSEMBLY RH

Part No. 5600175

We offer high-performance replacement guards for the Hitachi EX3600, a part that is constantly damaged during operation.

Includes OEM part numbers:

7041620	8086619
8086616	8086618
7041623	8080534

Features:

- Construction: Heavy-duty steel
- Suits models EX3600-5, EX3600-6

HITACHI EX3600 BASH PLATE

Part No. 5502903

Features:

- Construction: Heavy-duty steel
- Certified and compliant with Australian Standards



HITACHI EX3600-6 FENDER STEP RH

Part No. 5606904

Direct replacement for OEM No. 8106297. As a part that is consistently damaged we offer high-performance replacement covers, guards and fenders for the Hitachi EX machine range.

Includes OEM part numbers:

8108900 4668742
8108901 8106297
4652170

Features:

- Construction: Heavy-duty steel
- Suits Hitachi EX3600-6
- Certified and compliant with Australian Standards
- Stocked and ready for immediate despatch



HITACHI EX3600-6 FENDER STEP LH

Part No. 5606910

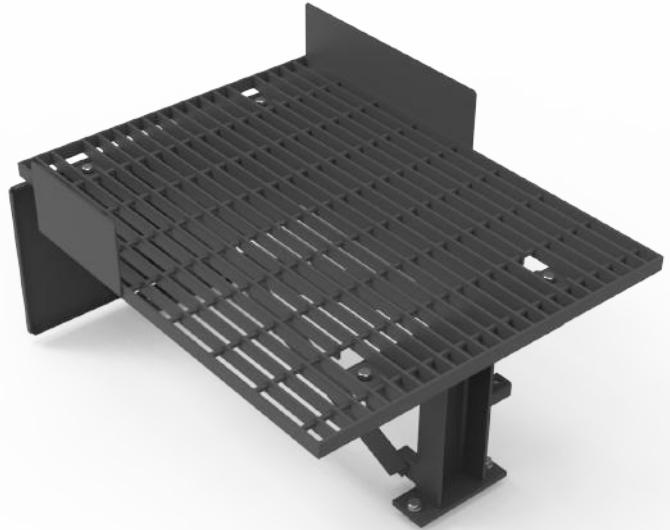
Direct replacement for OEM No. 7053559. As a part that is consistently damaged we offer high-performance replacement covers, guards and fenders for the Hitachi EX machine range.

Includes OEM part numbers:

8108900 4674935
8108901 7053559
4652170

Features:

- Construction: Heavy-duty steel
- Suits Hitachi EX3600-6
- Certified and compliant with Australian Standards
- Stocked and ready for immediate despatch



HITACHI EX3600-6 LH FRONT COVER

Part No. 5502046

Direct replacement for OEM No. 8106277. As a part that is consistently damaged we offer high-performance replacement covers, guards and fenders for the Hitachi EX machine range.

Features:

- Direct replacement for OEM No. **8106277**
- Suits Hitachi EX3600-6
- Heavy duty steel construction
- Stocked and ready for immediate despatch
- Certified and compliant with Australian Standards

HITACHI EX3600 CYLINDER PROTECTION

Part No. 5502294

Designed to minimise damage and downtime that occurs to the hydraulic rams during operation.

Features:

- Extremely robust, flexible rock deflection
- Provides full cover to the ram with no excess weight or restriction
- Fitting components supplied
- Cost effective solution, easy to install
- Stocked and ready for despatch



**ELIMINATING DOWNTIME,
MAXIMISING EFFICIENCY.**

HITACHI EX5600 EXCAVATOR

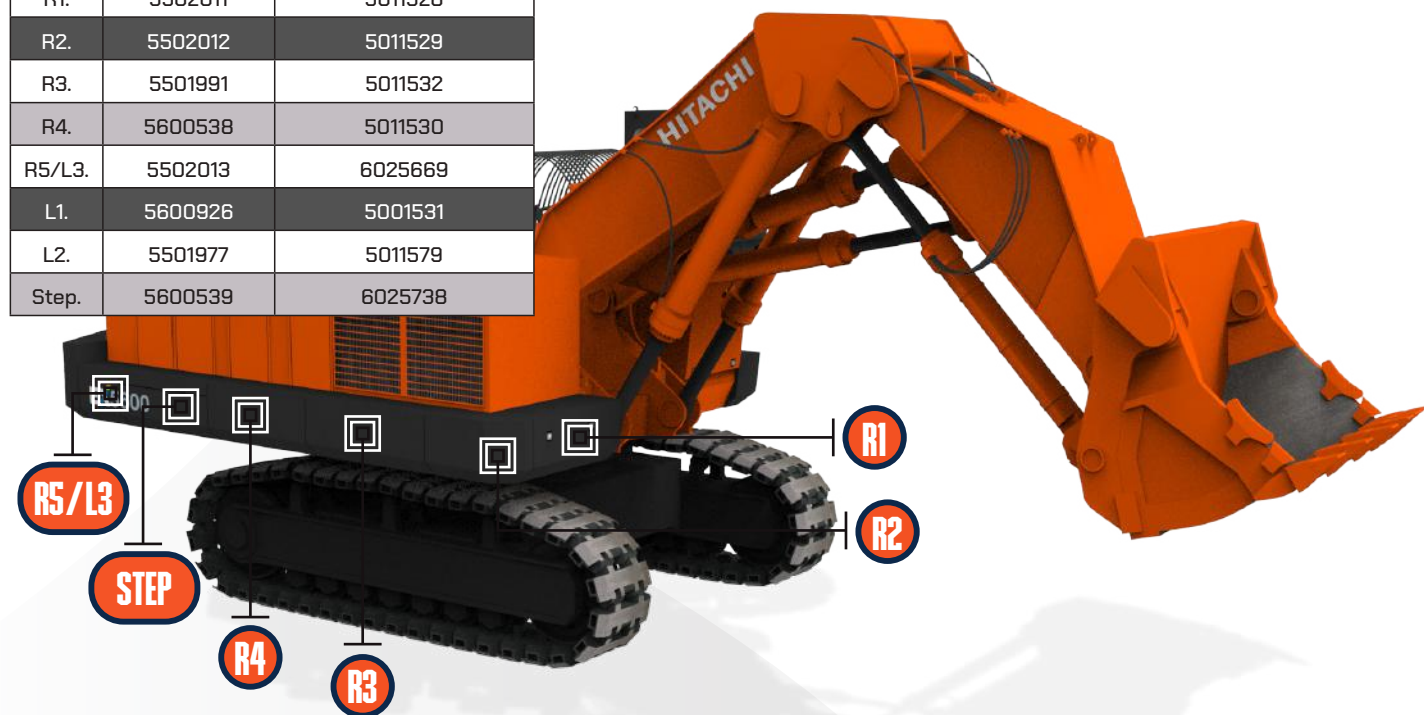


ELIMINATING DOWNTIME, MAXIMISING EFFICIENCY.



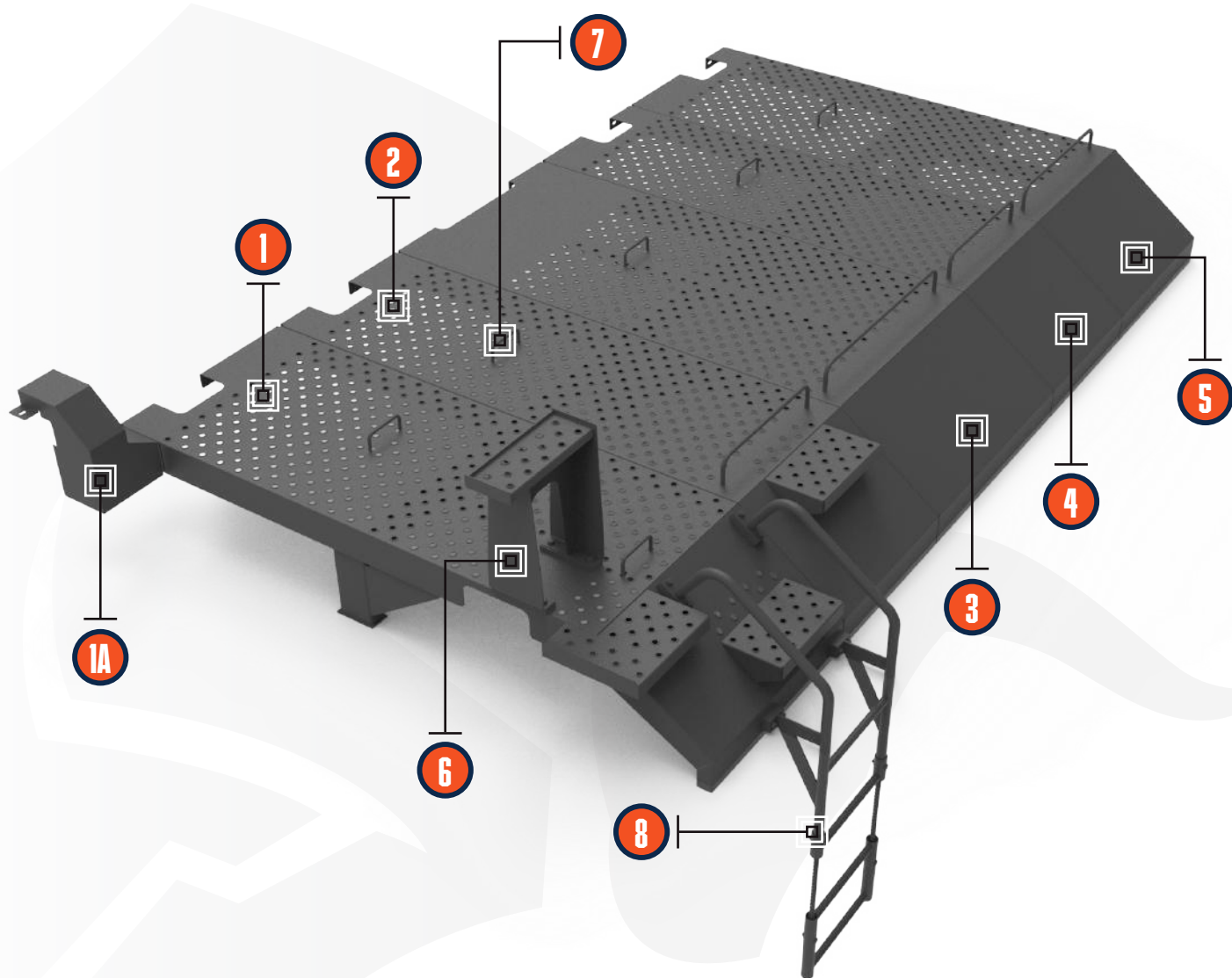
HITACHI EX5600 RHS FENDERS

Ref.	ROX Part No.	OEM Part No.
R1.	5502011	5011528
R2.	5502012	5011529
R3.	5501991	5011532
R4.	5600538	5011530
R5/L3.	5502013	6025669
L1.	5600926	5001531
L2.	5501977	5011579
Step.	5600539	6025738



HITACHI EX5600
TRAVEL MOTOR COVERS

Ref.	ROX Part No.	OEM Part No.
1.	5003000	6020598
2.	5502014	6020599
3.	5502015	6020600
4.	5502016	6020602
5.	5502017	6020601
1a.	5003007	7034686
6.	5003008	7034685
7.	5003001	4189865
8.	5003002	Step Assembly





HITACHI EX5600-6 FENDER R1

Part No. 5502011

Features:

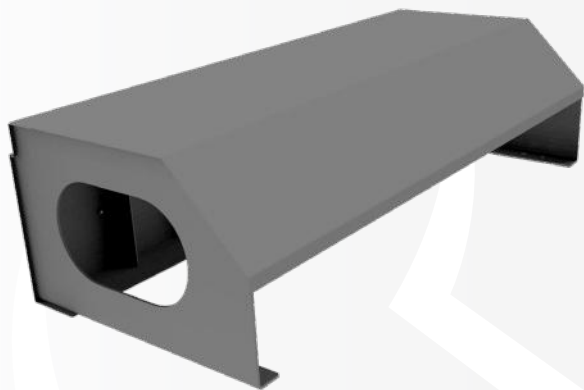
- Construction: Heavy-duty steel
- Certified and compliant with Australian Standards
- Direct replacement for OEM No. **5011528**
- Stocked and ready for immediate despatch
- Suits models EX5500-6, EX5600-6

HITACHI EX5600-6 FENDER R2

Part No. 5502012

Features:

- Construction: Heavy-duty steel
- Certified and compliant with Australian Standards
- Direct replacement for OEM No. **5011529**
- Stocked and ready for immediate despatch
- Suits models EX5500-6, EX5600-6

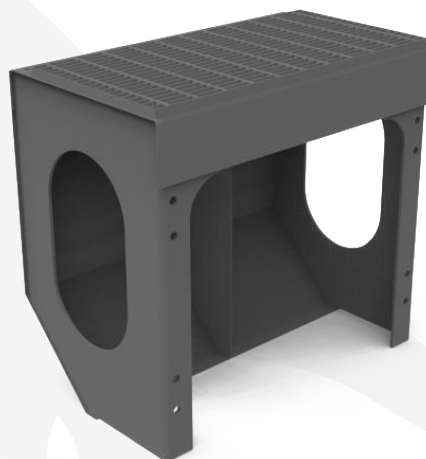


HITACHI EX5600-6 FENDER R4

Part No. 5600538

Features:

- Construction: Heavy-duty steel
- Certified and compliant with Australian Standards
- Direct replacement for OEM No. **5011530**
- Stocked and ready for immediate despatch
- Suits models EX5500-5, EX5600-6

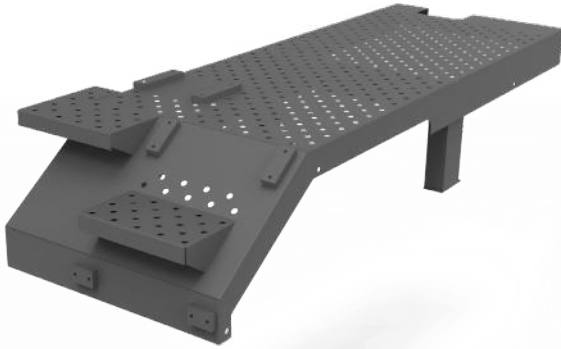


HITACHI EX5600-6 FENDER R5/L3

Part No. 5502013

Features:

- Construction: Heavy-duty steel
- Certified and compliant with Australian Standards
- Direct replacement for OEM No. **6025669**
- Stocked and ready for immediate despatch
- Suits models EX5500-5, EX5600-6



HITACHI EX5600 TRAVEL MOTOR COVER 1

Part No. 5503000

Features:

- Construction: Heavy-duty steel
- Certified and compliant with Australian Standards
- Direct replacement for OEM No. **6020598**
- Stocked and ready for immediate despatch
- Suits models EX5500-5, EX5500-6, EX5600-6

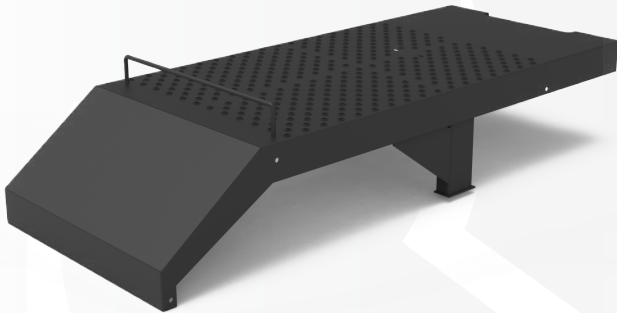


HITACHI EX5600 TRAVEL MOTOR COVER 2

Part No. 5502014

Features:

- Construction: Heavy-duty steel
- Certified and compliant with Australian Standards
- Direct replacement for OEM No. **6020599**
- Stocked and ready for immediate despatch
- Suits models EX5500-5, EX5500-6, EX5600-6

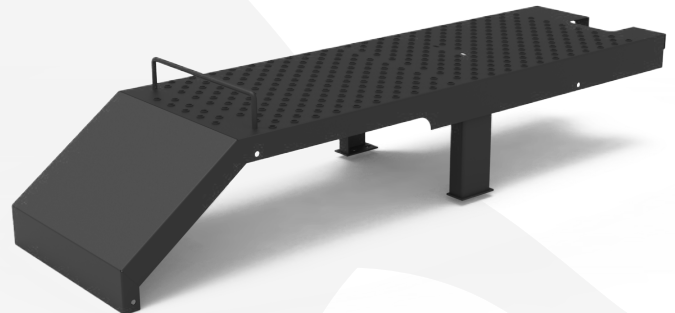


HITACHI EX5600 TRAVEL MOTOR COVER 3

Part No. 5502015

Features:

- Construction: Heavy-duty steel
- Certified and compliant with Australian Standards
- Direct replacement for OEM No. **6020600**
- Stocked and ready for immediate despatch
- Suits models EX5500-5, EX5500-6, EX5600-6

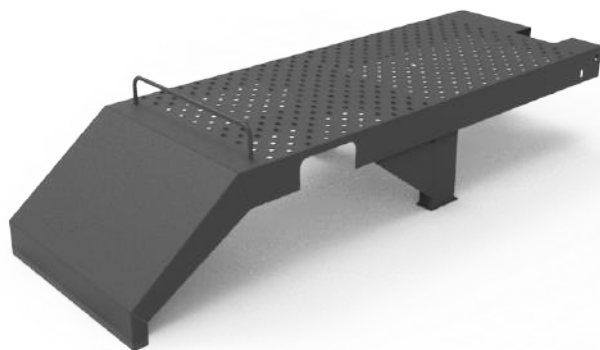


HITACHI EX5600 TRAVEL MOTOR COVER 4

Part No. 5502016

Features:

- Construction: Heavy-duty steel
- Certified and compliant with Australian Standards
- Direct replacement for OEM No. **6020602**
- Stocked and ready for immediate despatch
- Suits models EX5500-5, EX5500-6, EX5600-6

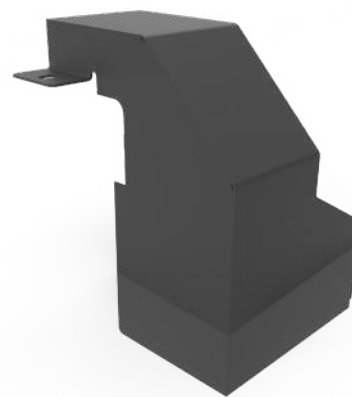


HITACHI EX5600 TRAVEL MOTOR COVER S

Part No. 5502017

Features:

- Construction: Heavy-duty steel
- Certified and compliant with Australian Standards
- Direct replacement for OEM No. 6020601
- Stocked and ready for immediate despatch
- Suits models EX5500-5, EX5500-6, EX5600-6



HITACHI EX5600-6 TRAVEL MOTOR COVER 1A

Part No. 5503007

Features:

- Heavy-duty steel construction
- Certified and compliant with Australian Standards
- Direct replacement for OEM No. 7034686
- Stocked and ready for immediate despatch



HITACHI EX5600-6 TRAVEL MOTOR COVER STEP

Part No. 5503008

Features:

- Heavy-duty steel construction
- Certified and compliant with Australian Standards
- Direct replacement for OEM No. 7034685
- Stocked and ready for immediate despatch



HITACHI EX5600-6 TRAVEL MOTOR COVER HANDLE

Part No. 5503001

Features:

- Heavy-duty steel construction
- Certified and compliant with Australian Standards
- Direct replacement for OEM No. 4189865
- Stocked and ready for immediate despatch



HITACHI EX5600 TRAVEL MOTOR COVER STEP ASSEMBLY

Part No. 5003002

Features:

- Heavy-duty steel construction
- Certified and compliant with Australian Standards
- Stocked and ready for immediate despatch
- Suits models EX5600-5, EX5600-6



HITACHI EX5600 CYLINDER PROTECTION

Part No. 5503215

Features:

- Extremely robust, flexible rock deflection
- Provides full cover to the ram with no excess weight or restriction
- Fitting components supplied
- Cost effective solution, easy to install
- Stocked and ready for despatch



HITACHI EX5600 TRAVEL TRANSMISSION GUARD LH

Part No. 5609100

Features:

- Direct replacement for LHS OEM Set: 7045849, 7045834, 7045857, 8095401, 8095378, 8095383 + Fasteners
- Suits Hitachi EX5500-5, EX5500-6, EX5600-6, EX5600-7



HITACHI EX5600 TRAVEL TRANSMISSION GUARD RH

Part No. 5609101

Features:

- Direct replacement for RHS OEM Set: 7045849, 7045834, 7045857, 8095401, 8095378, 8095383 + Fasteners
- Suits Hitachi EX5500-5, EX5500-6, EX5600-6, EX5600-7

HITACHI EX8000 EXCAVATOR

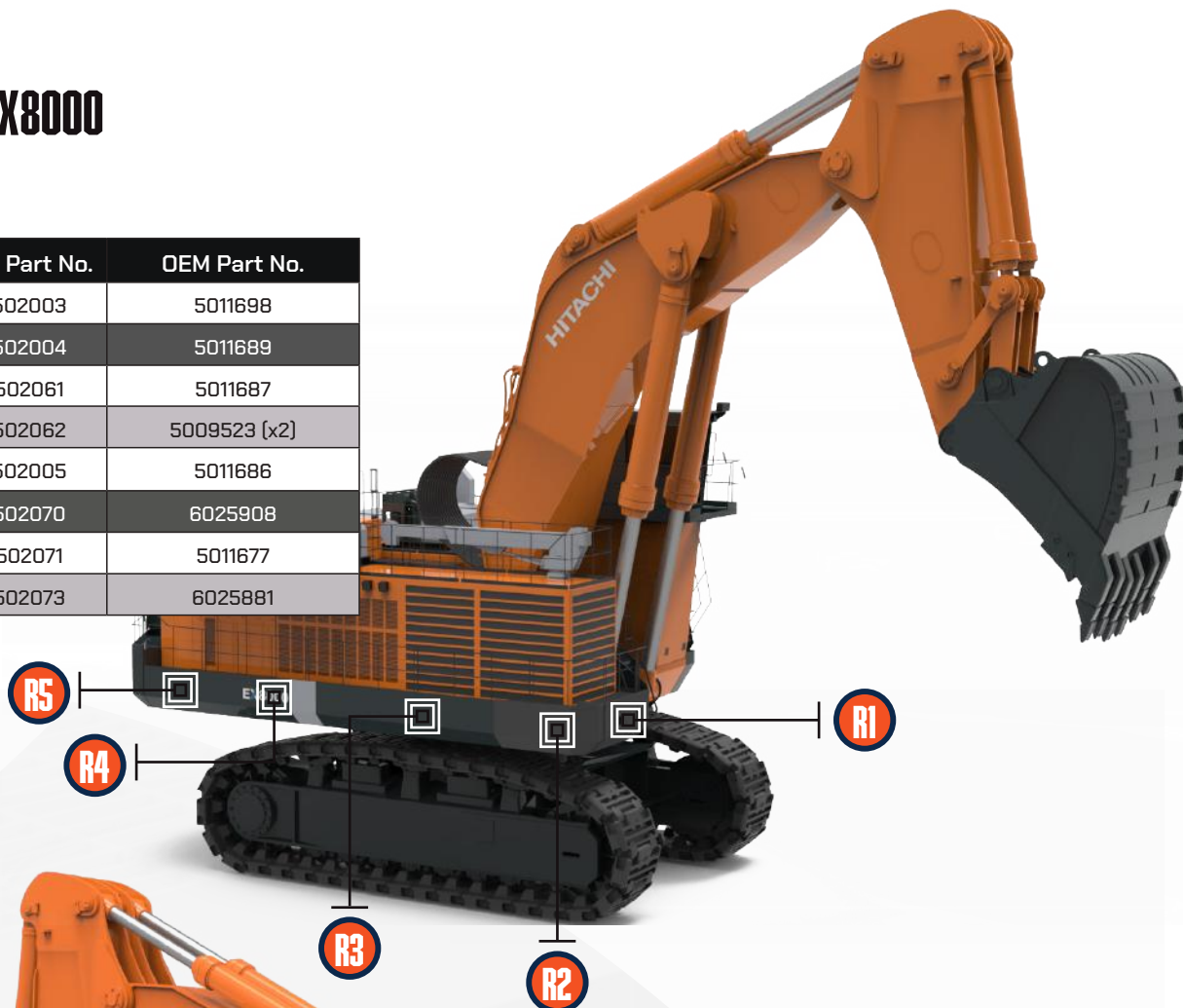


ELIMINATING DOWNTIME, MAXIMISING EFFICIENCY.



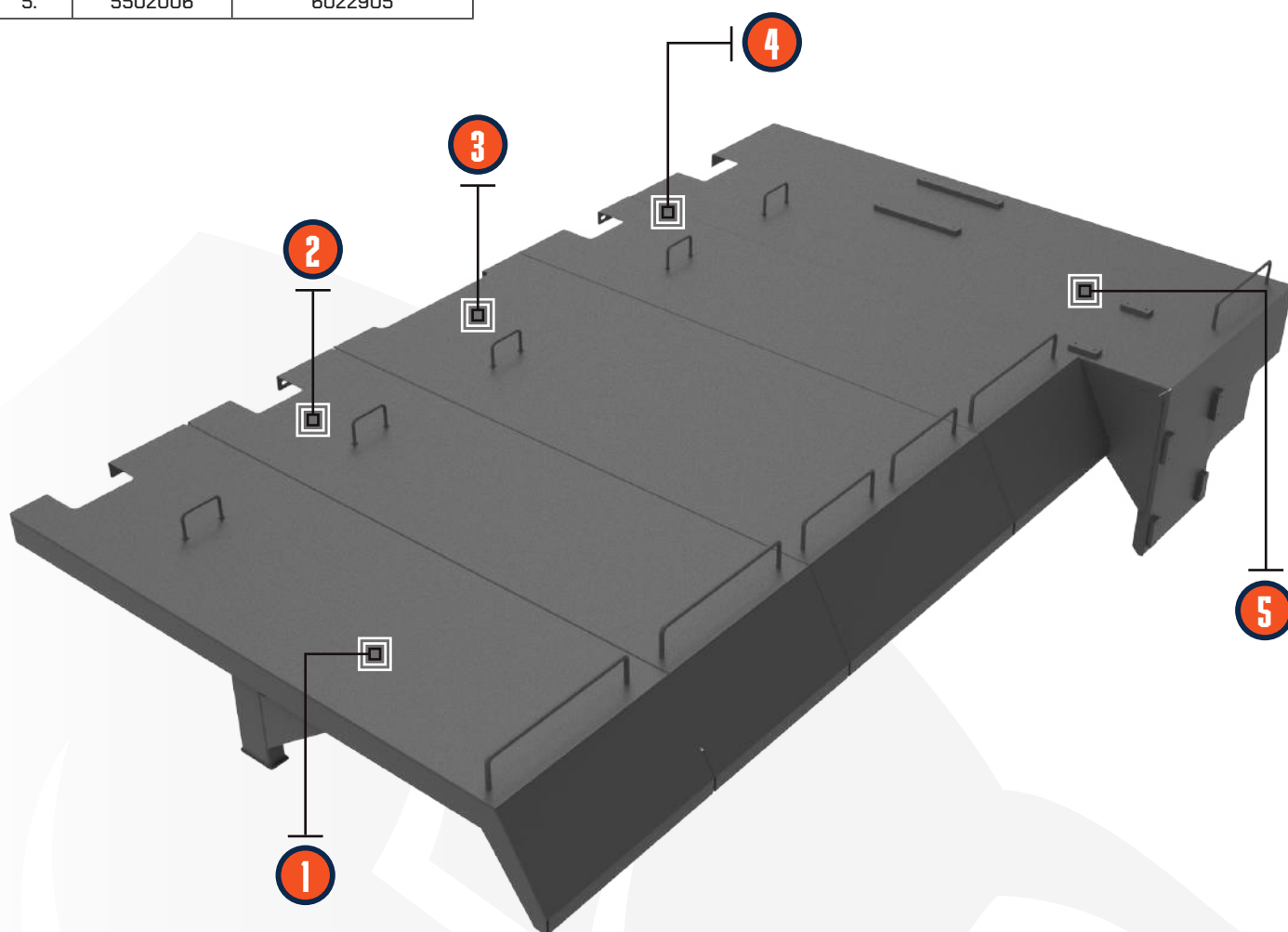
HITACHI EX8000 FENDERS

Ref.	ROX Part No.	OEM Part No.
R1.	5502003	5011698
R2.	5502004	5011689
R3.	5502061	5011687
R4.	5502062	5009523 (x2)
R5.	5502005	5011686
L1.	5502070	6025908
L2.	5502071	5011677
L3.	5502073	6025881



HITACHI EX8000 TRAVEL MOTOR COVERS

Ref.	ROX Part No.	OEM Part No.
1.	5502010	6022909
2.	5502009	6022908
3.	5502008	6022907
4.	5502007	6022906
5.	5502006	6022905





HITACHI EX8000-6 FENDER R1

Part No. 5502003

Features:

- Construction: Heavy-duty steel
- Certified and compliant with Australian Standards
- Direct replacement for OEM No. **5011698**
- Stocked and ready for immediate despatch

HITACHI EX8000-6 FENDER R2

Part No. 5502004

Features:

- Construction: Heavy-duty steel
- Certified and compliant with Australian Standards
- Direct replacement for OEM No. **5011689**
- Stocked and ready for immediate despatch



HITACHI EX8000-6 FENDER R5

Part No. 5502005

Features:

- Construction: Heavy-duty steel
- Certified and compliant with Australian Standards
- Direct replacement for OEM No. **5011686**
- Stocked and ready for immediate despatch

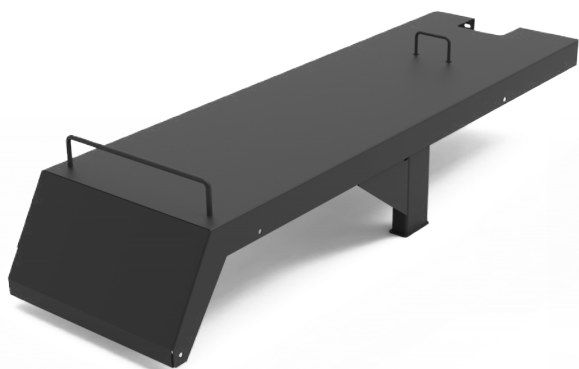


HITACHI EX8000 TRAVEL MOTOR COVER 1

Part No. 5502010

Features:

- Construction: Heavy-duty steel
- Certified and compliant with Australian Standards
- Direct replacement for OEM No. **6022909**
- Stocked and ready for immediate despatch

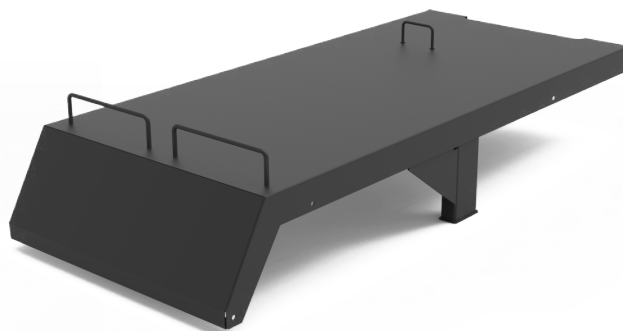


HITACHI EX8000 TRAVEL MOTOR COVER 2

Part No. 5502009

Features:

- Construction: Heavy-duty steel
- Certified and compliant with Australian Standards
- Direct replacement for OEM No. 6022908
- Stocked and ready for immediate despatch

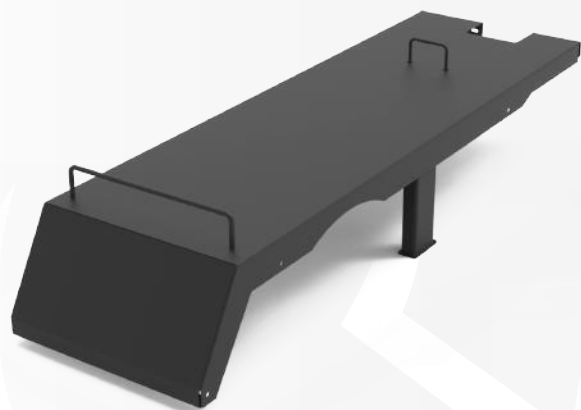


HITACHI EX8000 TRAVEL MOTOR COVER 3

Part No. 5502008

Features:

- Construction: Heavy-duty steel
- Certified and compliant with Australian Standards
- Direct replacement for OEM No. 6022907
- Stocked and ready for immediate despatch

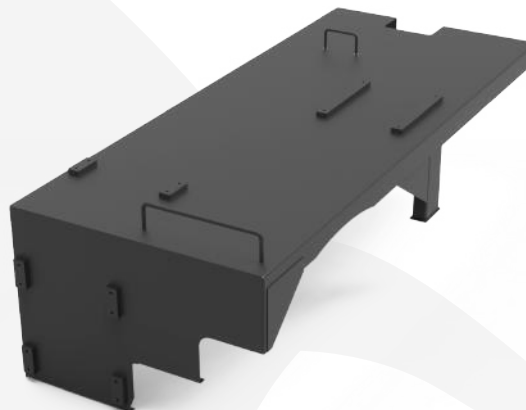


HITACHI EX8000 TRAVEL MOTOR COVER 4

Part No. 5502007

Features:

- Construction: Heavy-duty steel
- Certified and compliant with Australian Standards
- Direct replacement for OEM No. 6022906
- Stocked and ready for immediate despatch



HITACHI EX8000 TRAVEL MOTOR COVER 5

Part No. 5502006

Features:

- Construction: Heavy-duty steel
- Certified and compliant with Australian Standards
- Direct replacement for OEM No. 6022905
- Stocked and ready for immediate despatch

KOMATSU MACHINE RANGE

ELIMINATING DOWNTIME. MAXIMISING EFFICIENCY.



KOMATSU 830E/930E FUEL TANK

Part No. 5601501

Direct replacement for OEM No. EL3301.

Features:

- Suits Komatsu 830E, 930E-4 & 930E-5
- Optional Armour Flex coating for extra protection
- Fast-fill options available
- Complete with all components
- Stocked and ready for immediate despatch



KOMATSU 830E FUEL TANK GUARD KIT

Part No. 5601503

Rubber mudguard to suit Komatsu 830E. Designed to prevent fuel tank damage caused by mud, water and debris.

Features:

- Includes rubber mudguards and mounting components

KOMATSU HD785-7 FUEL TANK

Part No. 5610824

Direct replacement for OEM No. 561-04-81118.

Features:

- Heavy-duty steel construction
- Optional Armour Flex coating for extra protection
- Fast-fill options available
- Complete with all components
- Stocked and ready for immediate despatch



KOMATSU HD785-7 FUEL TANK LADDER

Part No. 5610825

Direct replacement for OEM No. 561-54-8A984.

Features:

- Heavy-duty steel construction
- Finished in Komatsu Yellow
- Stocked and ready for immediate despatch

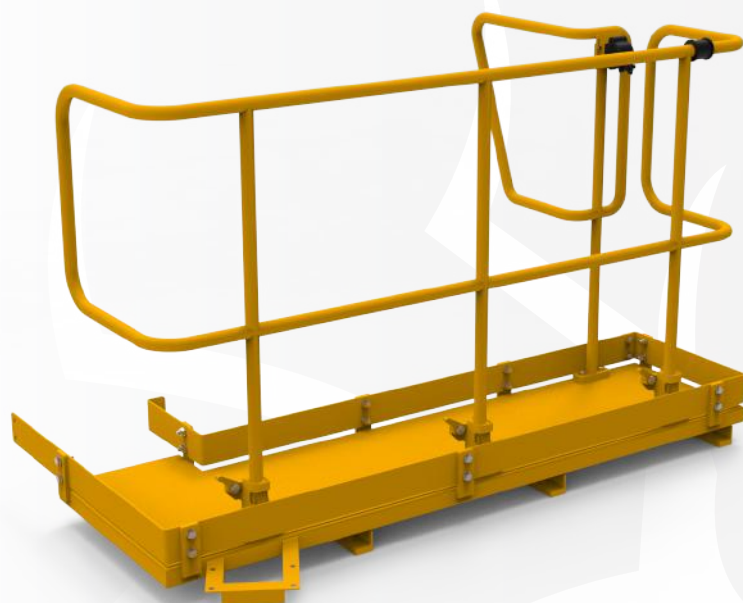
KOMATSU 930E-5 RHS CHASSIS TO ALTERNATOR PLATFORM

Part No. 5506899

An access platform designed, engineered and built to provide safe access to the alternator of the Komatsu 930E-5.

Features:

- Heavy-duty steel construction
- Certified and compliant with Australian Standards



KOMATSU HD1500-8 REAR ACCESS PLATFORM

Part No. 5505209

An access platform designed, engineered and built to provide safe access to the rear of the Komatsu HD1500-8 cab.

Features:

- Heavy-duty steel construction
- Folding handrail for when not in use

LIEBHERR MACHINE RANGE



ELIMINATING DOWNTIME, MAXIMISING EFFICIENCY.



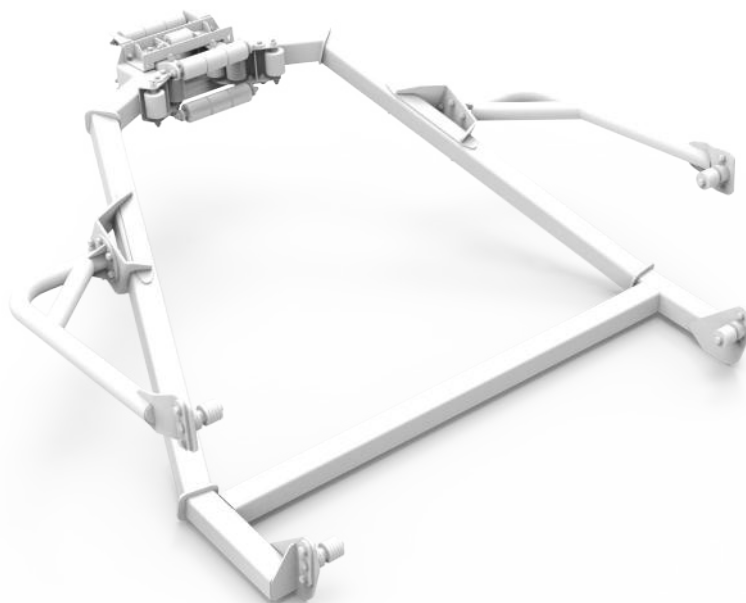
**LIEBHERR 9400E CABLE REELER
SUPPORT FRAME**

Part No. 5608026

Cable Reeler Frame designed to ensure safe cable management of the main power cable on the Liebherr 9400E.

Features:

- Suits Liebherr 9400E
- Heavy Duty Steel Construction
- Nylon Rollers
- Supplied and fabricated to Australian Standards



LIEBHERR 9400E CABLE REEL COVER

Part No. 5509143

Cable Reel Cover designed to ensure safe cable management of the main power cable on the Liebherr 9400E.

Features:

- Suits Liebherr 9400E
- Heavy Duty Aluminium Construction
- Supplied and fabricated to Australian Standards



LIEBHERR T264 EMERGENCY LADDER EXTENSION ASSEMBLY KIT

Part No. 5508521

ROX's Liebherr T264 Emergency Ladder is designed as an improved replacement ladder for the rubber ladder extensions on the emergency egress ladder. The hinging design allows it to fold out of the way of damage and increase clearance.

Features:

- Bolt-on replacement for the OEM rubber ladder
- Kick lever at the top of the ladder to actuate the ladder release
- Heavy Duty Steel Construction
- Stocked and ready for despatch



LIEBHERR T264 ENGINE BAY LOWER LADDER ASSEMBLY

Part No. 5602064

ROX's Liebherr T264 Emergency Ladder is designed as an improved replacement ladder for the rubber emergency egress ladders to access the engine bay. The hinging design allows it to fold out of the way of damage and increase clearance.

Features:

- Bolt-on replacement for the OEM rubber ladder
- Heavy Duty Steel Construction
- Stocked and ready for despatch

ROX

BUILT BETTER 



WEEKLY INSIGHTS INTO ALL THINGS MINING,
BEYOND & THE PERSONALITIES BEHIND THE BRAND.

BREAKING
ROX 

    @breakingroxpodcast

Breaking ROX Podcast is dedicated to the ROX Mining Parts brand of the Bend-tech Group.

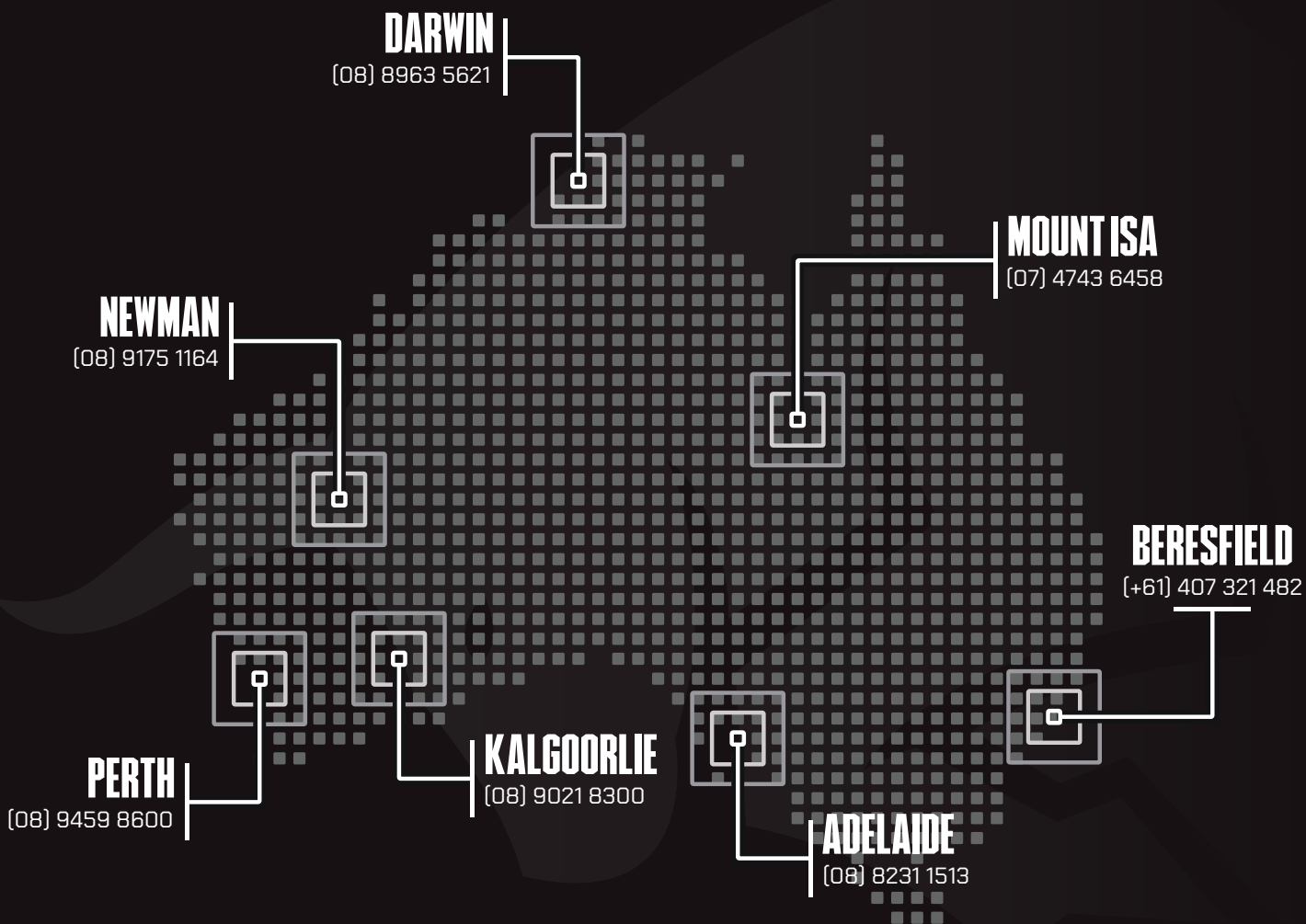
We discuss all things mining, safety, efficiency, downtime and aim to discuss wider related subjects with our guests. We want to dive into thought leadership and give perspective into the issues we see and solve in the mining space.

ELIMINATING DOWNTIME, MAXIMISING EFFICIENCY.

ROX 



ELIMINATING DOWNTIME, MAXIMISING EFFICIENCY.



✉ sales@bendtechgroup.com.au

🌐 bendtechgroup.com.au

