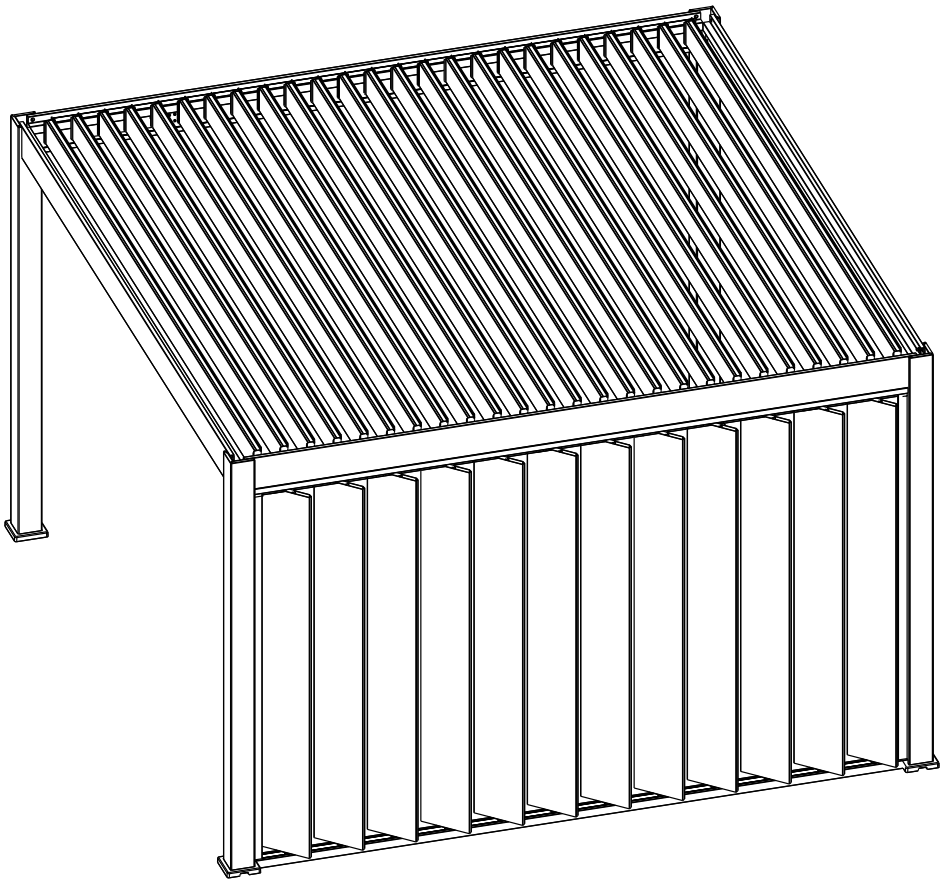



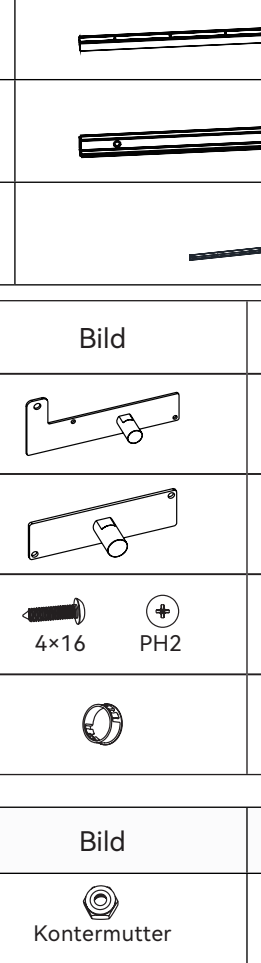


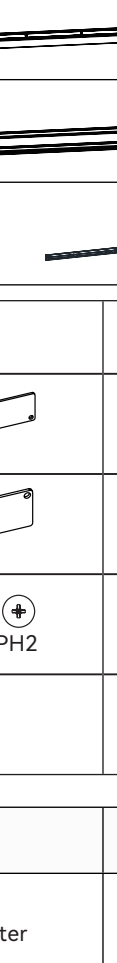


Wide Vertical Tilting Wall











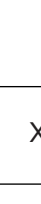
Lieferumfang

2.65M




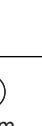
1/3

Nr.	Profil	Bild	Maße	Mg.
A			75X35 L=2484mm	1
B			75X50 L=2484mm	1
C			50X57 L=2279mm	2
F			27X8 L=2140mm	1

Nr.	Bild	Mg.
K1		8
K2		8
W2	  4x16 PH2	32
T2		13

Nr.	Bild	Mg.
W8	  5x19 8mm	13
W9	 8mm	1
T3	 8x100	6

Nr.	Bild	Mg.
UO	 Kontermutter	8
UO-1	 Kunststoffmutter	8

Nr.	Bild	Mg.
VO		16
XO-2	  6x20 4mm	9
ZO-5	 10mm	1



Lieferumfang

2.65M

2/3

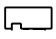







Nr.	Profil	Bild	Maße	Mg.
G			299X30 L=2245mm	4

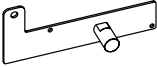
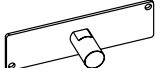



3/3





Nr.	Profil	Bild	Maße	Mg.
G			299X30 L=2245mm	4



Lieferumfang





3M 1/3

Nr.	Profil	Bild	Maße	Mg.
A			75X35 L=2790mm	1
B			75X50 L=2790mm	1
C			50X57 L=2279mm	2
F			27X8 L=2442mm	1

REF	PICTURE	Mg.
K1		9
K2		9
W2	 	36
T2		13

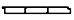

REF	PICTURE	Mg.
W8	 	13
W9		1
T3		6

Nr.	Bild	Mg.
UO	 Kontermutter	9
UO-1	 Kunststoffmutter	9

Nr.	Bild	Mg.
VO		18
XO-2	 	9
ZO-5		1

Lieferumfang

3M
2/3

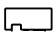







Nr.	Profil	Bild	Maße	Mg.
G			299X30 L=2245mm	4

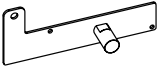
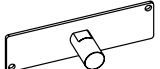



3/3


Nr.	Profil	Bild	Maße	Mg.
G			299X30 L=2245mm	5





Lieferumfang





3.6M 1/3

Nr.	Profil	Bild	Maße	Mg.
A			75X35 L=3399mm	1
B			75X50 L=3399mm	1
C			50X57 L=2279mm	2
F			27X8 L=3046mm	1

REF	PICTURE	Mg.
K1		11
K2		11
W2	  4x16 PH2	44
T2		13

Nr.	Bild	Mg.
UO	 Kontermutter	11
UO-1	 Kunststoffmutter	11

REF	PICTURE	Mg.
W8	  5x19 8mm	13
W9	 8mm	1
T3	 8x100	10


Nr.	Bild	Mg.
VO		22
XO-2	  6x20 4mm	11
ZO-5	 10mm	1

Lieferumfang

3.6M
2/3

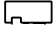






Nr.	Profil	Bild	Maße	Mg.
G			299X30 L=2245mm	5

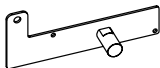




3/3

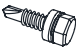

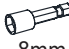

Nr.	Profil	Bild	Maße	Mg.
G			299X30 L=2245mm	6

Lieferumfang





4M
1/3

Nr.	Profil	Bild	Maße	Mg.
A			75X35 L=3705mm	1
B			75X50 L=3705mm	1
C			50X57 L=2279mm	2
F			27X8 L=3348mm	1

REF	PICTURE	Mg.
K1		12
K2		12
W2	 	52
T2		13

REF	PICTURE	Mg.
W8	 	13
W9		1
T3		10

Nr.	Bild	Mg.
UO	 Kontermutter	12
UO-1	 Kunststoffmutter	12

Nr.	Bild	Mg.
VO		26
XO-2	 	13
ZO-5		1

Lieferumfang

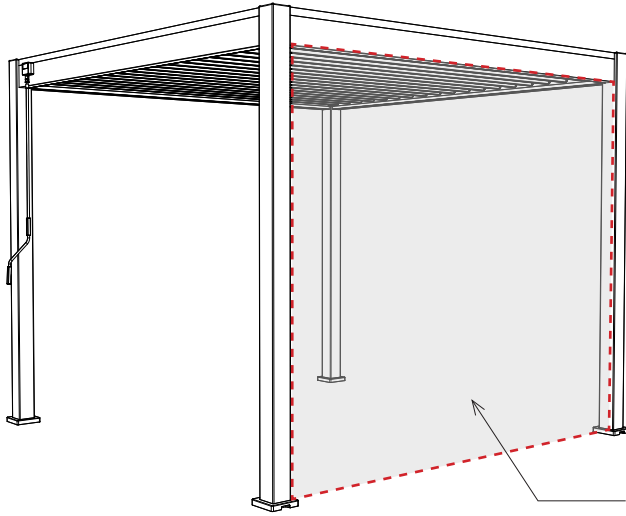
4M
2/3

Nr.	Profil	Bild	Maße	Mg.
G			299X30 L=2245mm	6

3/3

Nr.	Profil	Bild	Maße	Mg.
G			299X30 L=2245mm	6

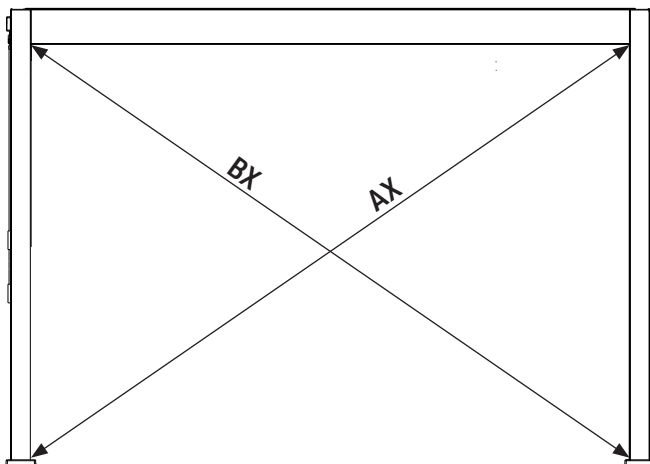
Bitte stellen Sie vor der Montage sicher, dass die Abmessungen korrekt sind, wie in der untenstehenden Abbildung dargestellt. Dabei müssen $A1 = A2 = A3$ sowie $AX = BX$ gelten. Führen Sie die Montage nicht durch, wenn die Abmessungen nicht korrekt sind. Passen Sie die fertigen Maße vor der Installation entsprechend an.



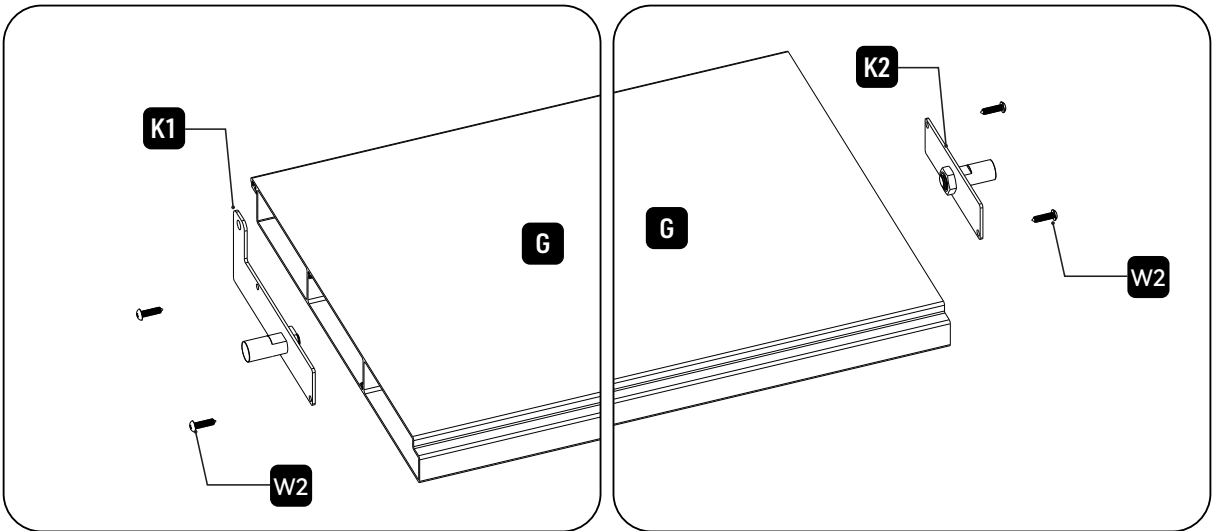
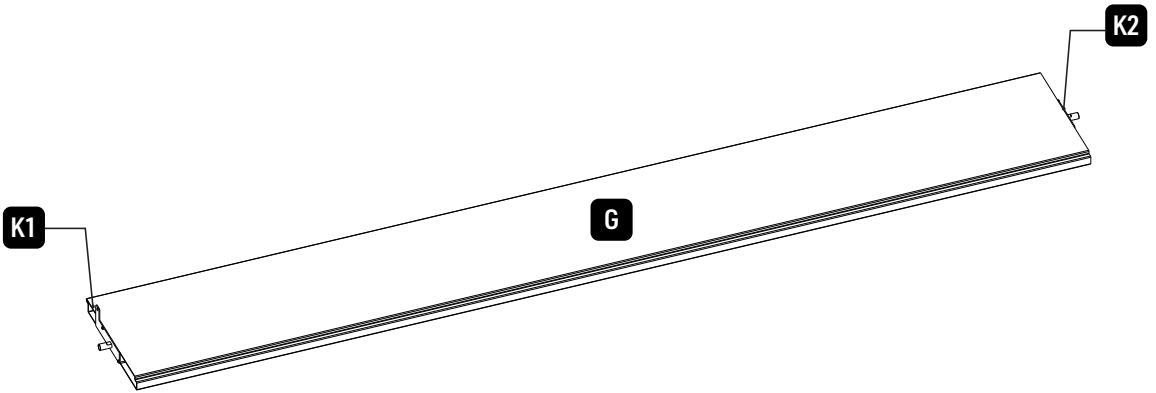
Bitte wählen Sie die Seite aus, an der die Montage erfolgen soll.

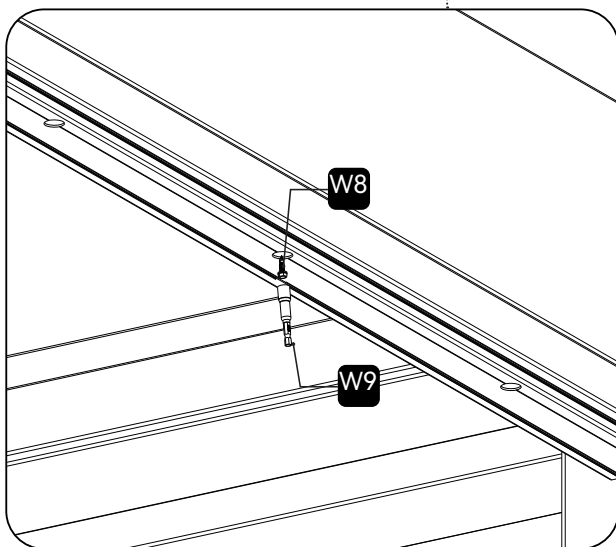
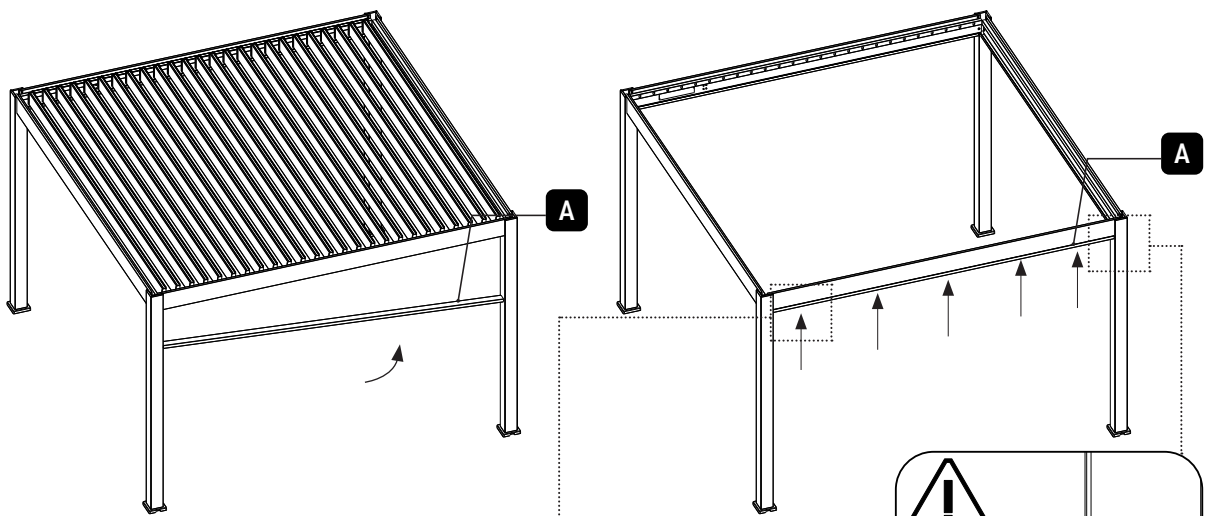


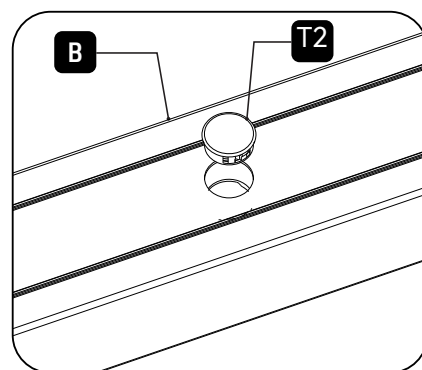
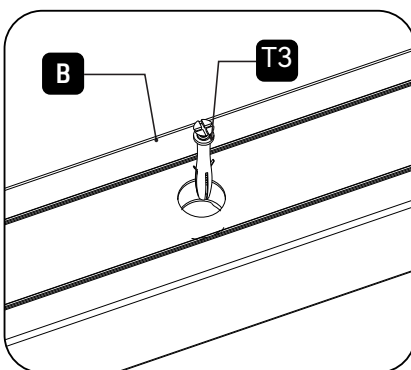
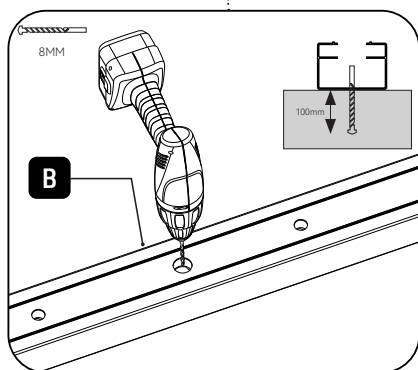
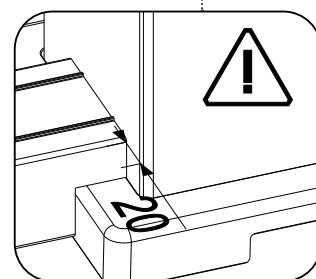
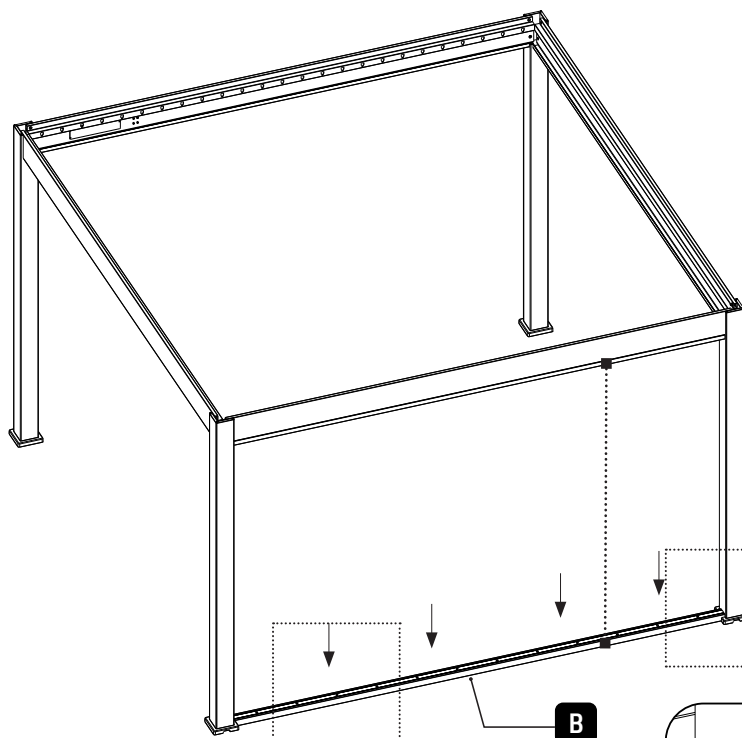
$$A1=A2=A3$$

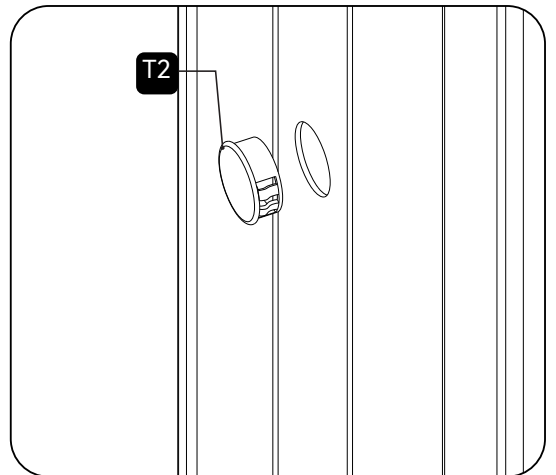
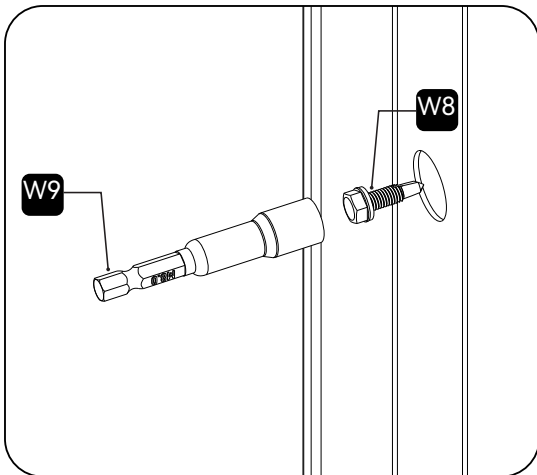
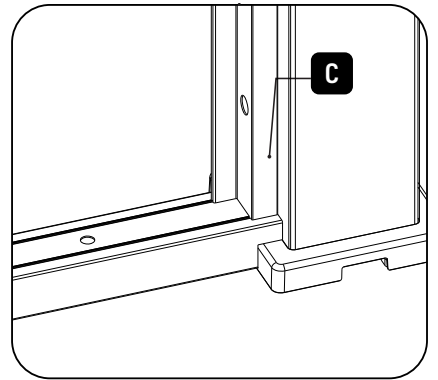
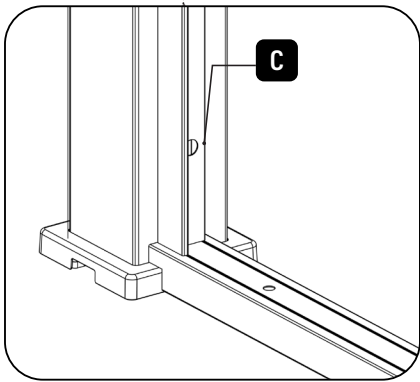
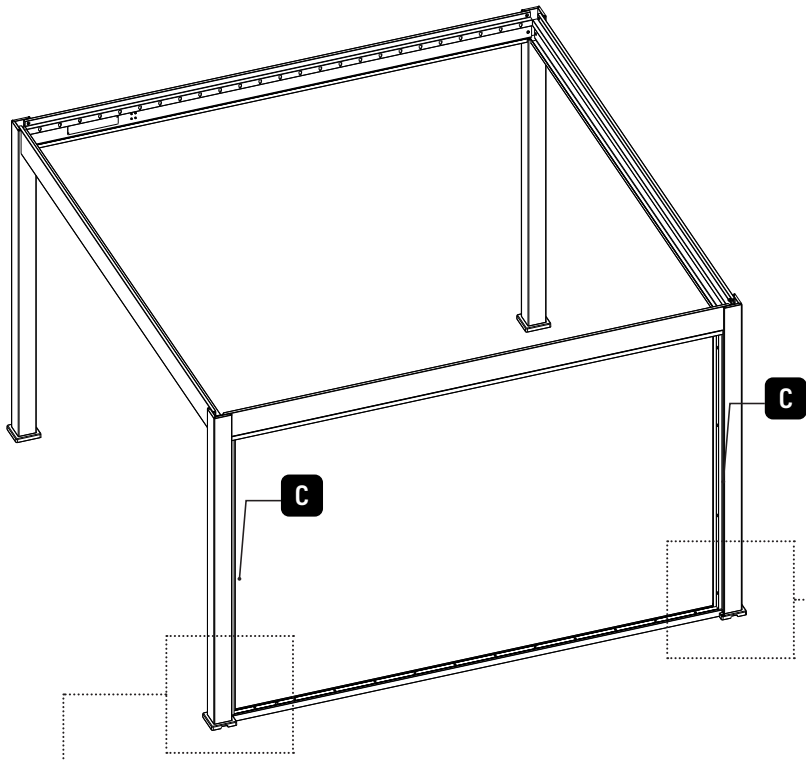


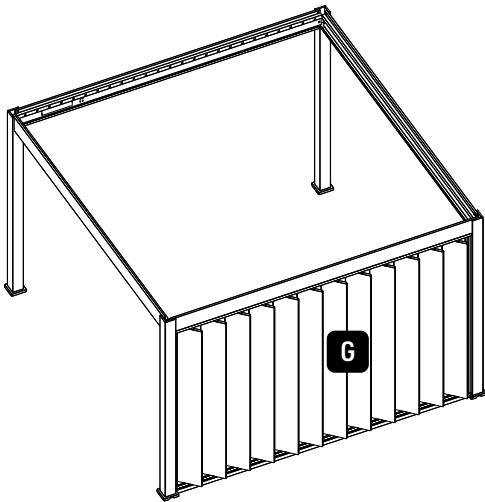
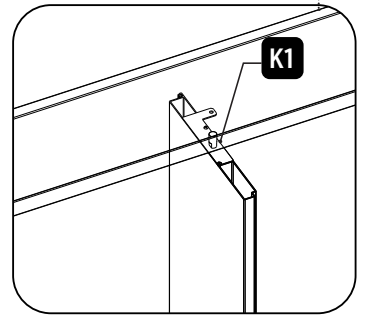
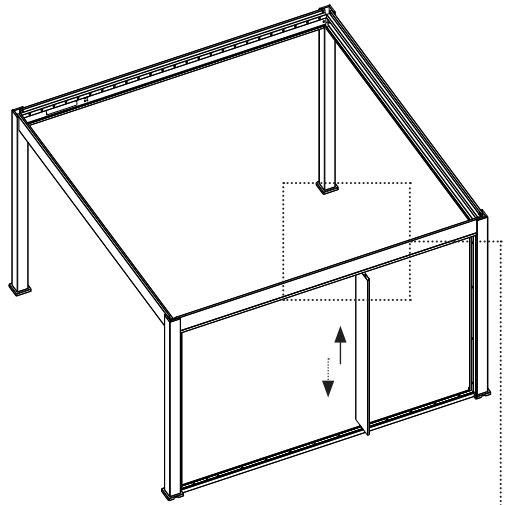
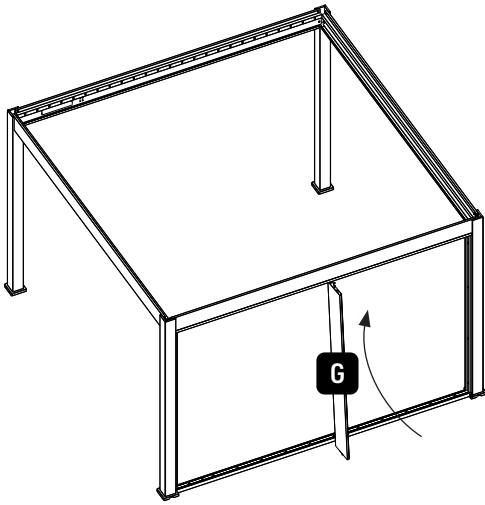
$$AX=BX$$

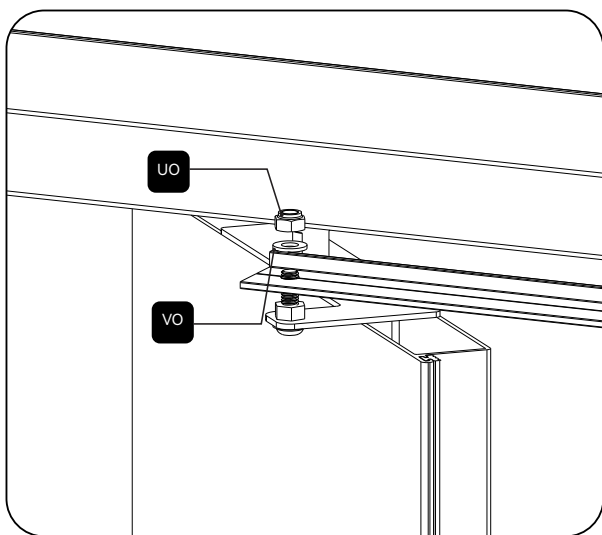
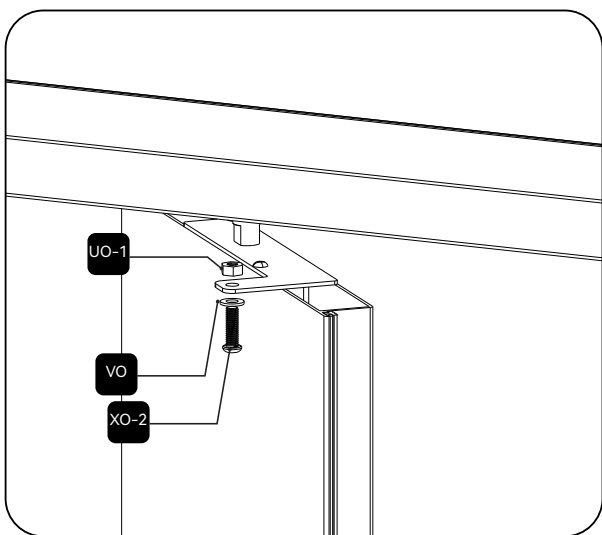
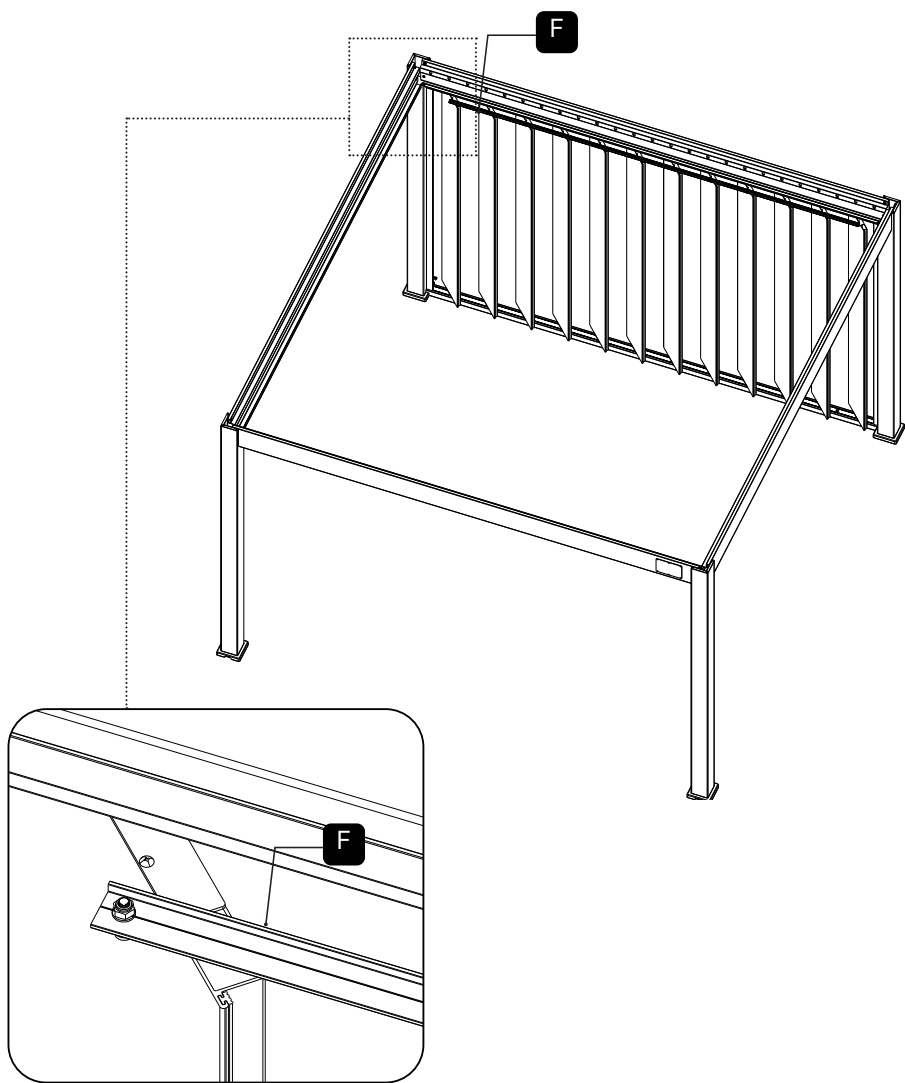




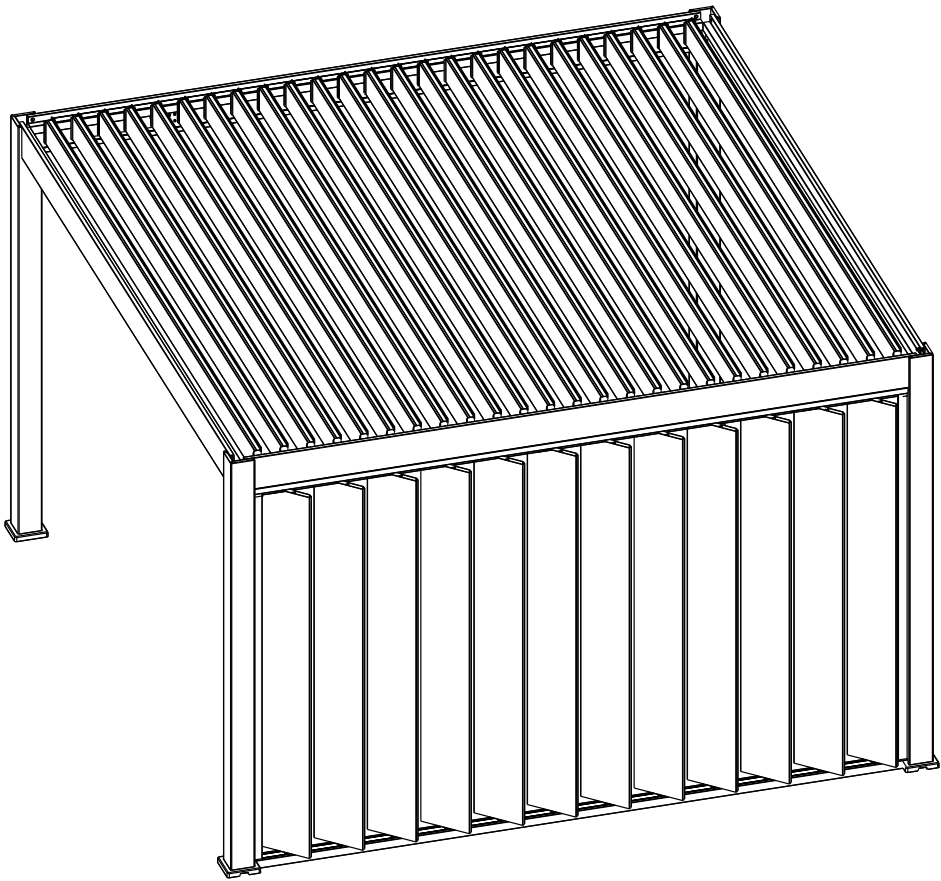








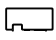







Wide Vertical Tilting Wall

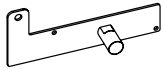
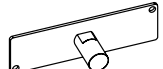









PARTS LISTS (PER CARTON)



2.65M





1/3

No.	Profile	Diagram	Size	QTY
A			75X35 L=2484mm	1
B			75X50 L=2484mm	1
C			50X57 L=2279mm	2
F			27X8 L=2140mm	1

No.	Diagram	QTY
K1		8
K2		8
W2	 	32
T2		13

No.	Diagram	QTY
W8	 	13
W9		1
T3		6



No.	Diagram	QTY
UO	 lock nut	8
UO-1	 plastic nut	8

No.	Diagram	QTY
VO		16
XO-2	 	9
ZO-5		1



PARTS LISTS (PER CARTON)

2.65M

2/3

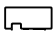







No.	Profile	Diagram	Size	QTY
G			299X30 L=2245mm	4

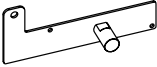
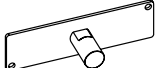


3/3




No.	Profile	Diagram	Size	QTY
G			299X30 L=2245mm	4



PARTS LISTS (PER CARTON)




3M
1/3

No.	Profile	Diagram	Size	QTY
A			75X35 L=2790mm	1
B			75X50 L=2790mm	1
C			50X57 L=2279mm	2
F			27X8 L=2442mm	1

REF	PICTURE	QTY
K1		9
K2		9
W2		36
T2		13

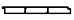

REF	PICTURE	QTY
W8		13
W9		1
T3		6

No.	Diagram	QTY
UO	 lock nut	9
UO-1	 plastic nut	9



No.	Diagram	QTY
VO		18
XO-2		9
ZO-5	 10mm	1

PARTS LISTS (PER CARTON)

3M
2/3

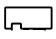







No.	Profile	Diagram	Size	QTY
G			299X30 L=2245mm	4

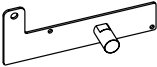
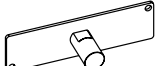



3/3



No.	Profile	Diagram	Size	QTY
G			299X30 L=2245mm	5

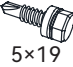

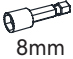

PARTS LISTS (PER CARTON)





3.6M 1/3

No.	Profile	Diagram	Size	QTY
A			75X35 L=3399mm	1
B			75X50 L=3399mm	1
C			50X57 L=2279mm	2
F			27X8 L=3046mm	1

REF	PICTURE	QTY
K1		11
K2		11
W2	  4x16 PH2	44
T2		13

No.	Diagram	QTY
UO	 lock nut	11
UO-1	 plastic nut	11



REF	PICTURE	QTY
W8	  5x19 8mm	13
W9	 8mm	1
T3	 8x100	10

No.	Diagram	QTY
VO		22
XO-2	  6x20 4mm	11
ZO-5	 10mm	1

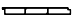

PARTS LISTS (PER CARTON)

3.6M

2/3

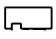







No.	Profile	Diagram	Size	QTY
G			299X30 L=2245mm	5

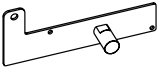
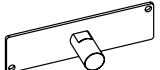


3/3




No.	Profile	Diagram	Size	QTY
G			299X30 L=2245mm	6



PARTS LISTS (PER CARTON)




4M
1/3

No.	Profile	Diagram	Size	QTY
A			75X35 L=3705mm	1
B			75X50 L=3705mm	1
C			50X57 L=2279mm	2
F			27X8 L=3348mm	1

REF	PICTURE	QTY
K1		12
K2		12
W2		52
T2		13

REF	PICTURE	QTY
W8		13
W9		1
T3		10


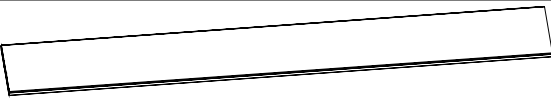
No.	Diagram	QTY
UO	 lock nut	12
UO-1	 plastic nut	12

No.	Diagram	QTY
VO		26
XO-2		13
ZO-5		1

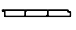
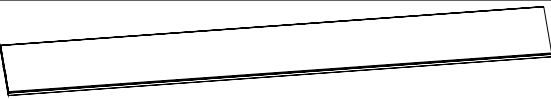
PARTS LISTS (PER CARTON)

4M

2/3

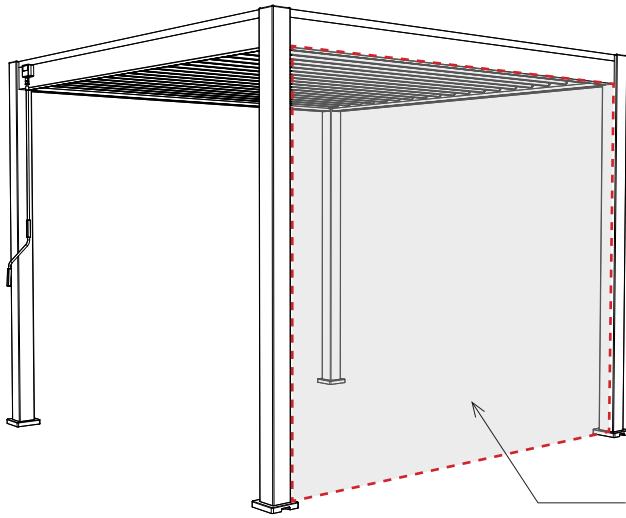
No.	Profile	Diagram	Size	QTY
G			299X30 L=2245mm	6

3/3

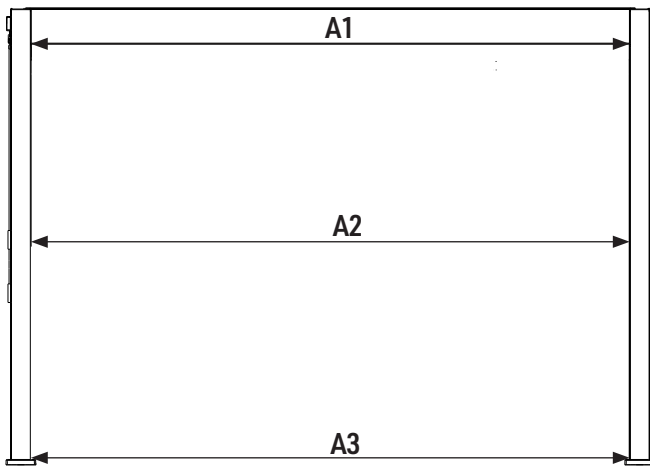
No.	Profile	Diagram	Size	QTY
G			299X30 L=2245mm	6

Before installation, please make sure the dimension should be correct as the diagram shows below, namely, $A1=A2=A3$ and $AX=BX$.

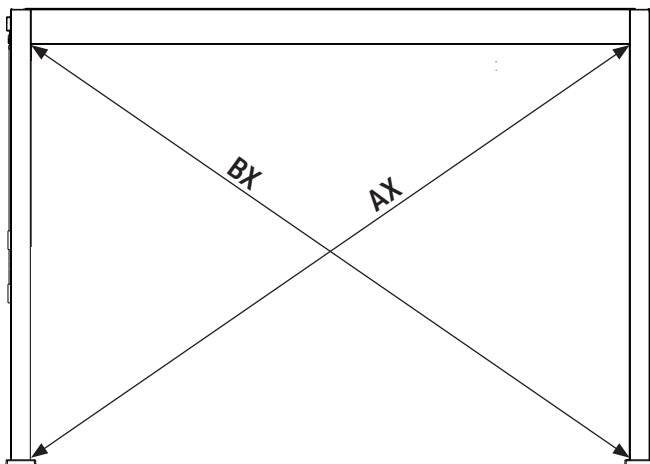
Please do not install if the dimension is incorrect. Please adjust the finished size before installing.



Please choose which face to install



$$A1=A2=A3$$



$$AX=BX$$

