



Attributes

Product Code
 Net weight
 Max. weight load
 Dimensions (w x l x h)
 Color options



700x710x1365 mm

2-1-100
 45 kg
 200 kg

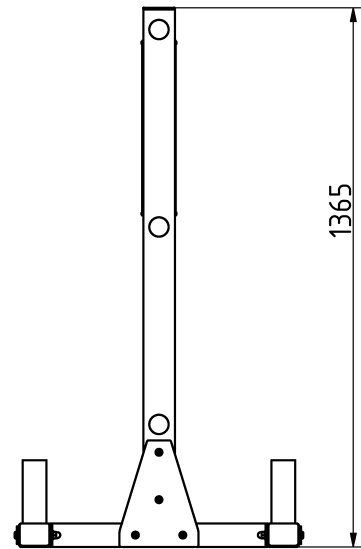
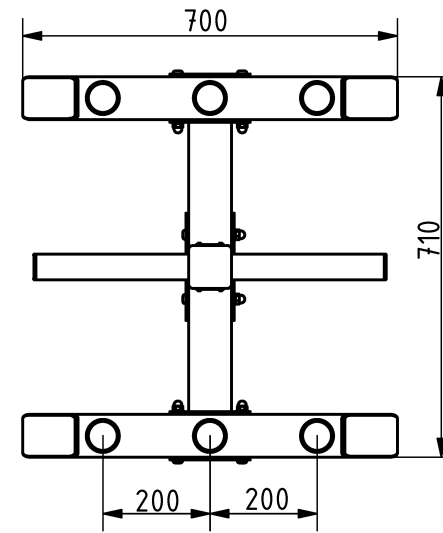
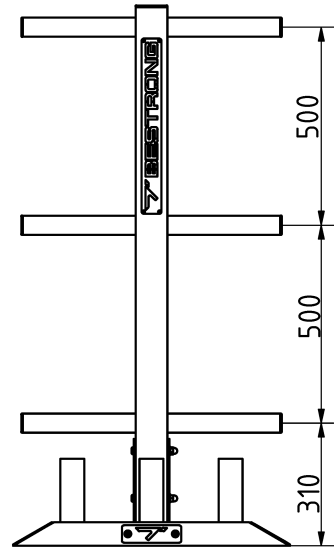
For more color options, discuss with your sales representative.

Warranty

Structure
 Steel
 Paint
 Plastic
 Rubber
 Moving parts

Detailed information in the warranty document

25-15 years
 5-10 years
 2 years
 5-10 years
 1-3 years
 2 years



BESTRONG

 [bestrongworld](#)  [bestrongworld](#)  [global.bestrong.com](#)  info@bestrong.com

