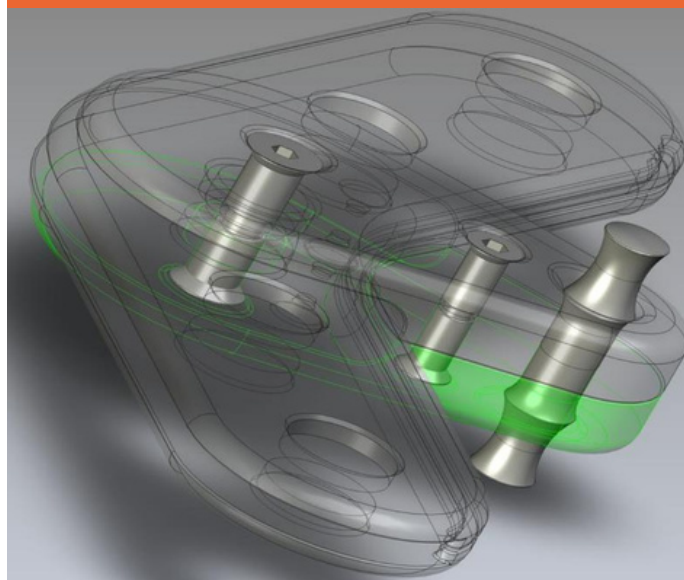


POLYPLASTIKA

Plastics for Marine industrie
In-house engineered and
produced, practically proven



2024



ENGINEERING & DESIGN & PRODUCTION
Infusion - Extrusion - C&C - 3D Print



Nautical Plastics
Hugo Scharff
(director)
+31 642217214

polyplastika.ohrid@gmail.com

POLYPLASTIKA

© Allround Sailmaker 2023-present

All rights reserved. No part of this publication may be reproduced, stored in a retrieval system or transmitted, in any form or by any means, electronic, mechanical, photocopying, recording or otherwise, without the prior written permission of the publisher.

This publication is protected by copyright. No part of this publication may be reproduced, stored in a retrieval system or transmitted, in any form or by any means, electronic, mechanical, photocopying, recording or otherwise, without the prior written permission of the publisher.

Polyplastika

Polyplastika is a young and dynamic company that has its origins in the yachting industry. Polyplastika trades, designs and produces plastic parts which are intended for watersports and outdoor activities. We have the ability and knowledge to convert the customer's idea into an exclusive product. In addition, we also have a range of standard products which we can often supply from stock.

The production takes place in North Macedonia, an excellent and traditional plastic production country. Here we have Hot Molding machines, extrusion machines, C&C cutters and 3D printers, all based on obtaining the best quality. The most commonly used plastics include: ABS, PA6 optionally reinforced fiberglass and PVC. Because we make the molds and tools in-house, we can respond directly to the customer demand. Our customers are suppliers for yacht building and nautical shops, but also shops for outdoor activities. We mainly focus on the European market, simply because we know it best.

If you have any questions about the professional field, we will be happy to help you and we may be able to help each other. Please do not hesitate to contact us, we will be happy to get in touch with you to discuss a new product, for a quotation or sales cooperation.

Hugo Scharff Polyplastika



Sprayhood and Bimini fittings
Composite black or Dark grey, durable,
lightweight, hammer proof, smoothshape,
better alternative Environmentally
responsible products



Art-nr. 205122 / 205125
Endcap 22 / 25 mm



Art-nr. 205222 / 205225
Tubeclamp 22 / 25 mm



Art-nr. 205322 / 205225
Pole Adapter 22 > 25 mm
adjustable



Art-nr. 205422 / 205425
Splitclamp 22 / 25



Art-nr. 205501
Deckhinge 90 dgr



Art-nr. 205602
Deckhinge rotating 115 dgr



Art-nr: 205804
Slider T Track pinlock



Track and slider



Art-nr. 205703
Sliderstop 90 dgr for track 22 x
11



Art-nr. 205804
Sliderstop



Art-nr. 205904
Endstop for slidertrack 22 x 11



Art-nr: 205555
Feeder kedertrack with flag
black



PVC Tracks, cold bending, UV stabilized



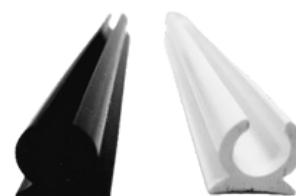
Art-nr. 3085180 / 90 / 135 / 45
Art-nr. 3010180 / 90 / 135 / 45
Kedertracks for keder 8.5 and 10 mm
with flag 180-90-135-45 dgr dubbel
and single in black or white other
colors on request



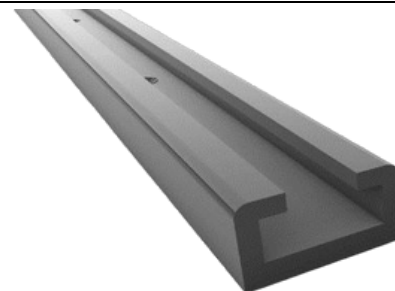
Art-nr. 308585
Dubble Kedertrack White



Art-nr. 308501W / 308501B
Art-nr. 301002W / 301002B
Single Kedertrack



Art-nr. 30112203
Slidertrack with or without pre-
drilled holes, each 15 cm



Connectors for Keder Tracks 8,5 mm ABS in Black or White



Art-nr. 401001W / 401002B / 401003A
Connector



Art-nr. 401101W / 401102B / 401103A
Endstop



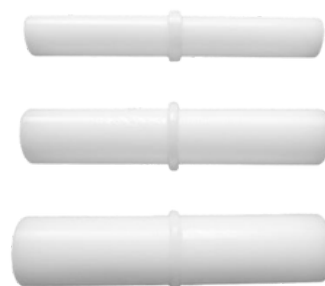
Art-nr. 401201W / 401203B / 401202A
Feeder



Art-nr. 401301W / 401303B / 401302A
Midfeeder



Connectors for Tubes in PA6 (nylon)
Color natural



Art-nr. 602016 / Art-nr. 601612
Tube connector for Sail / maindrop
batten 20 x 16 mm and 16 x 12 mm



Art-nr. 602215 / Art-nr. 602515
25 x 1,5 and 22 x 1,5 mm



Sunawning Applications



Spreader
Art-nr. 20.5322 W/G



Drip Clip
Art nr: 70.130.80 W/G



Polyplastika

Custom-Made

We design and produce products exclusively for various customers. Because we have the entire process in our own hands, we are able to deliver custom work for usually a competitive price. Below you can see a small impression of what we have already made.





POLYPLASTIKA