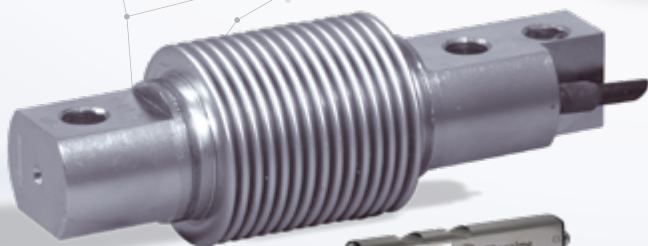




# Catalog

## WEIGHING PRODUCTS



# Our logistics offer...

You will find below the information relating to the standard offer of transport of the goods proposed by SCAIME. Delivery times are given as an indication only and SCAIME cannot be held responsible for any delay due to the carrier.

All shipments are followed by a tracking number transmitted by email for the follow-up of the delivery directly on the carrier's website.

## IN METROPOLITAN FRANCE AREA

### - EXPRESS PARCEL



EXPRESS

Valid for all orders sent to SCAIME before 12.00 a.m..

Packages accepted: non-palletised parcels up to 25 kg

Next-day delivery before 12.00 a.m. in mainland France, depending on the delivery address.

For remote areas not served by EXPRESS, next-day delivery by EXPRESS SAVER.

Other services on request depending on the destination, please contact us for availability and extracharges (delivery before 9.00 a.m., delivery to Corsica, delivery to UPS Access Point, Saturday delivery).

### - PALLETS

Valid for all orders sent to SCAIME the day before departure.

Price conditions: please contact us



**SCHENKER**

SERVICE SCHENKERSYSTEM

Schenkersystem Delivery time: 24 to 72 hours depending on the destination  
(not guaranteed)



**SCHENKER**

SERVICE SCHENKERTOP13

Schenkertop 13 Delivery time: next day before 1.00 p.m.  
(to be confirmed according to destination)

## TO INTERNATIONAL DESTINATIONS AND FRENCH OVERSEAS DEPARTMENTS AND TERRITORIES

### - PARCELS

Valid for all orders sent to SCAIME before 12.00 a.m.

Packages accepted: non-palletised parcels up to 25 kg

Freight charges and delivery times: Express and standard services depending on destination,  
please contact us by email: [adv@scaime.com](mailto:adv@scaime.com)

EUROPE



HORS EUROPE



### - PALLETS

Pallets by truck, air or sea: please contact us

For all special transport requests, please take contact with our Sales Administration Department directly  
Tel. +33 (0)4 50 87 78 64 or per email : [adv@scaime.com](mailto:adv@scaime.com)



Catalog  
**WEIGHING PRODUCTS**



# Table of contents...

## LOAD CELLS & ACCESSORIES

### Single Point load cells...

BEF-F	6
AR	7
EP	8
AQ	9
AL	10
AG2.5	11
AG100 C3	12
AG100 C6	13
AH	14
AHN	15
AP	16
AK 60	17
AXL	18
AXH	19
AVS	20
AVX C3	21
AVX C6	22

### Digital load cells...

AAD-C	24
AAD-D	26
DVX-C	28
DVX-D	29
DVS-C	32
DVS-D	33

### Bending Beam load cells...

F60X-5	38
F60X-6W C6	39
F60X-6W C3	40
MTPFA	42
LFC 500	43
LFD 500	44
RUBBERKIT-FX	45
STABIFLEX-F EVO	46

### Shear Beam load cells...

SK10A 2T	48
SK10A 5T	49
SK30A 2T	50
SK30A 5T	51
SK30X 2T	52
SK30X 5T	53
LFA	55
QUICKFIT-S	56
ISOFLEX 2T	57
ISOFLEX 5T	58
STABIFLEX-SK EVO	59
DS5A	60

### Tension load cells...

ZFA	62
ZFA ROD ENDS	63
ZA30X	64
ZA30X ROD ENDS	65
MTRD	66

### Load pins...

M16-M16H	68
----------	----

### Compression load cells...

R30X	70
R10X	71
R10X C08	72
RX UPPER PLATE	73
SILOKIT-RX	74
SILOSAFE-R /-RX EVO	75
RH10X	76
SILOSAFE-RH EVO	77
SILOSAFE-RH 750 EVO	78
CB50X	79
CB50X GDT	80
CB50X-DL	81
LPC	82
LPM/LPM-X	83
LPS-LPSH	84

STABICAN 60T	85
CA40X 200T	86
CA40X PLATES KIT	87
STABICAN 200T	88

## ASSOCIATED ELECTRONICS

### Transmitters...

DRL	90
CPJ / CPJ-2S	91
ENOD1-T	92
ENOD3 ALUBOX	93
ENOD3 DIN	94
ENOD3 JB4	95
ENOD4-T BOX	96
ENOD4-T DIN	98
ENOD4-C BOX	100
ENOD4-C DIN	102
ENOD4-D BOX	104
ENOD4-D DIN	106
ENOD4-F BOX	108
ENOD4-F DIN	110
ENOD4-B BOX	112
ENOD4-B DIN	114
ENODTOUCH-MS	116
ENODTOUCH-ML	117
IM-R / IM-RL57	118
PME SWT	119
SWTOUCH-MS	120

### Indicators...

IPC20	122
IPE50 PANEL	123
IPE50 DIN	124
IPE50 XLR/XLI	125
IPC50	126
IPE100	127
TP200	128
IPM-S	129
VPH-3Z	130

### Accessories...

ANALOG CABLE	132
DIGITAL CABLE	133
M12 CABLE	134
M12 CONNECTOR	135
ALCJB-D4	136
ALCJB 1	137
ALCJB-A	138
ALCJB-X4	139
DLCJB-A	140
B15, B16, B19	141

## AFTER SALES LOAD CELLS

AG C3 U	144
AB	145
PM	146
AK 300	147
AXL	148
F30X	149
F60X C3	150
F60X C6	151
F60X 2T	152
F60X 5T	153
SB30X	154
LFC	155
SD25X	156
C50ANX	157
CA40X 60T	158
IPE50 DIN PROFIBUS	159

## SERVICES

CALIBRATION	162
TRAINING	163
SERVICE	164







# Load cells & Accessories

Single Point load cells...

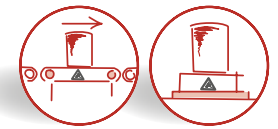




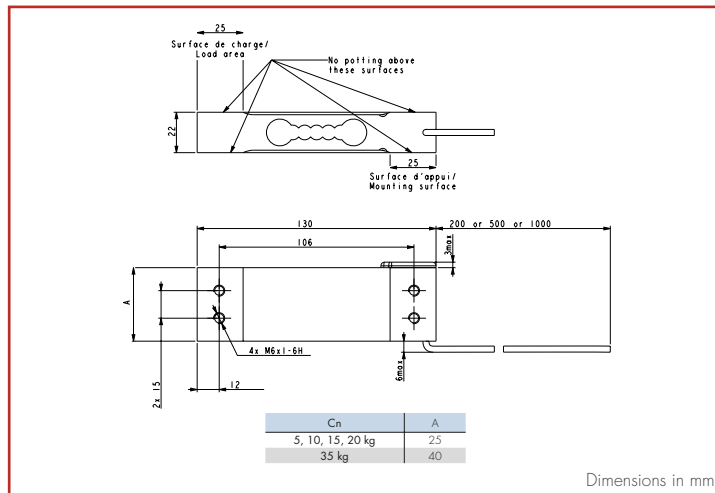
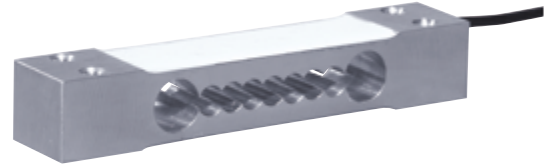


# AQ

## 5 kg ... 35 kg



- Aluminum construction, protection class IP65
- 3 000 d OIML R60 and 5 000 d NTEP approved
- Extremely compact construction
- Off-centered load compensated



Signal at FS: 2 mV/V ±10 %  
 Combined error: ±0.017 %FS  
 Impedance (in/out): 410 Ω ±20 / 350 Ω ±5  
 Compensated temperature range: -10 ... +40°C  
 Platform size: up to 350 x 350 mm  
 Cable/length: 4 shielded wires / 0.5 m (35 kg = 1m)  
 Warranty: 1 year

+ Excit.: Red | + Sign.: Black | - Sign.: Blue | - Excit.: White

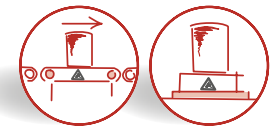
Replaces: TH 1022, HBM PW6K, Celtron IPS, CAS BCL, BLH/NMB C2G1

P/N	Designation	Cn	V <sub>min.</sub>	DC
401016	LOAD CELL AQ5 C3 SH 10e TR	5 kg	0.5 g	R1
401017	LOAD CELL AQ10 C3 SH 10e TR	10 kg	1 g	R1
401018	LOAD CELL AQ15 C3 SH 10e TR	15 kg	1.5 g	R1
401019	LOAD CELL AQ20 C3 SH 10e TR	20 kg	2 g	R1
401020	LOAD CELL AQ35 C3 SH 10e 1m TR	35 kg	3.5 g	R1
<b>Options:</b>				
850322	SIGNAL PAIRING BY 0.5 % FOR SINGLE POINT LOAD CELLS (subject to stock availability of standard products)			R1
850203	OPTIONAL PROTECTIVE COATING			R1
850272	"SI" TEST FOR LOAD CELLS ATEX & IECEx - Ⓢ II 1 G/D, Ex ia IIC T6 Ga, Ex ia IIIC T80°C Da, IP6X, -20°C < Ta < +60°C (zone 0/20)			R2
850273	"n" TEST FOR LOAD CELLS ATEX & IECEx - Ⓢ II 3 G, Ex nA IIC T6 Gc, -20°C < Ta < +60°C (zone 2)			R2
850274	"DUST" MARKING FOR LOAD CELL ATEX & IECEx - Ⓢ II 1 D, Ex ia IIIC T125°C Da, IP6X, -20°C < Ta < +60°C (zones 20)			R2

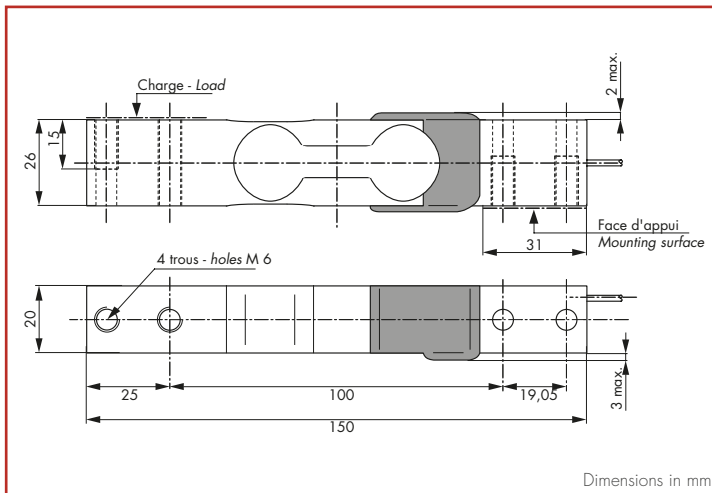
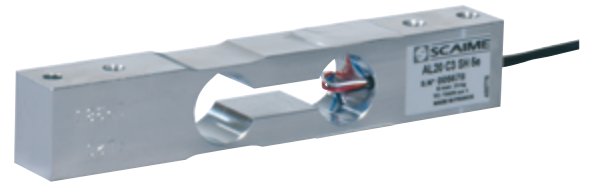
FS: rated capacity / v min = minimal interval (according to cert. OIML R60) / C.E. = Combined error in % of Cn / DC = Code put back

# AL

## 3 kg ... 30 kg



- Aluminum construction, protection class IP65
- 3 000 d OIML R60 and 5 000 d NTEP approved
- Off-centered load compensated
- Low cost model for high volume production



+ Excit.: Red | + Sign.: Black | - Sign.: Blue | - Excit.: White



Signal at FS: 2 mV/V ±10 %  
 Combined error: ±0.017 %FS  
 Impedance (in/out): 410 Ω ±20 / 350 Ω ±5  
 Compensated temperature range: -10 ... +40°C  
 Platform size: up to 300 x 350 mm  
 Cable/length: 4 shielded wires / 1 m  
 Warranty: 1 year

Replaces: TH 1040/1042, HBM SP4, RT 642, CAS BCA, (+ 14 mm spacer)

P/N	Designation	Cn	V <sub>min.</sub>	DC
400778	LOAD CELL AL3 C3 SH 10e	3 kg	0.3 g	R1
400779	LOAD CELL AL5 C3 SH 10e	5 kg	0.5 g	R1
400781	LOAD CELL AL10 C3 SH 10e	10 kg	1 g	R1
400782	LOAD CELL AL15 C3 SH 10e	15 kg	1.5 g	R1
400784	LOAD CELL AL30 C3 SH 10e	30 kg	3 g	R1
<b>Options:</b>				
850322	SIGNAL PAIRING BY 0.5 % FOR SINGLE POINT LOAD CELLS (subject to stock availability of standard products)			R1
850203	OPTIONAL PROTECTIVE COATING			R1
850272	"SI" TEST FOR LOAD CELLS ATEX & IECEx - Ⓢ II 1 G/D, Ex ia IIC T6 Ga, Ex ia IIIIC T80°C Da, IP6X, -20°C < Ta < +60°C (zone 0/20)			R2
850273	"n" TEST FOR LOAD CELLS ATEX & IECEx - Ⓢ II 3 G, Ex nA IIC T6 Gc, -20°C < Ta < +60°C (zone 2)			R2
850274	"DUST" MARKING FOR LOAD CELL ATEX & IECEx - Ⓢ II 1 D, Ex ia IIIIC T125°C Da, IP6X, -20°C < Ta < +60°C (zones 20)			R2

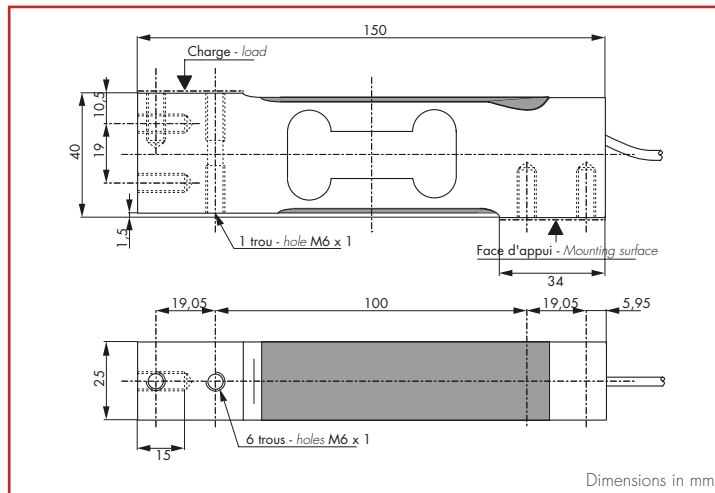
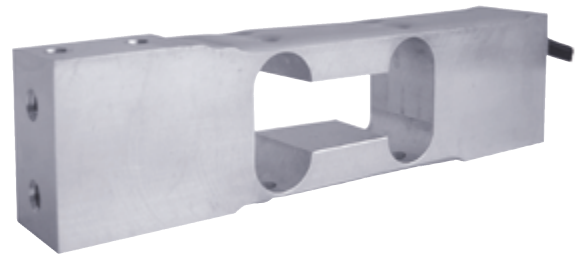
FS: rated capacity / v<sub>min</sub> = minimal interval (according to cert. OIML R60) / C.E. = Combined error in % of Cn / DC = Code put back

# AG2.5

2.5 kg



- Aluminum construction, protection class IP65
- 2 000 d OIML R60 approved
- Off-centered load compensated
- Ideal for low capacity scales and force measurement



Signal at FS:  $2 \text{ mV/V} \pm 10 \%$   
 Combined error:  $\pm 0.025 \%$  FS  
 Impedance (in/out):  $410 \Omega \pm 15 / 350 \Omega \pm 5$   
 Compensated temperature range:  $-10 \dots +40^\circ\text{C}$   
 Platform size: up to  $200 \times 200 \text{ mm}$   
 Cable/length: 6 shielded wires / 3 m  
 Warranty: 1 year

+ Excit.: Brown | + Sign.: Yellow | - Sign.: White | - Excit.: Green | + Sense: Grey | - Sense: Pink

Replaces: TH 1040/1042, HBM SP4, RT 642, ...

P/N	Designation	Cn	V <sub>min.</sub>	DC
400703	LOAD CELL AG2.5 C2 NH 3e F TR	2.5 kg	1 g	R1
	<b>Options:</b>			
850322	SIGNAL PAIRING BY 0.5 % FOR SINGLE POINT LOAD CELLS (subject to stock availability of standard products)			R1
850203	OPTIONAL PROTECTIVE COATING			R1
850272	"SI" TEST FOR LOAD CELLS ATEX & IECEx - Ⓢ II 1 G/D, Ex ia IIC T6 Ga, Ex ia IIIC T80°C Da, IP6X, -20°C < Ta < +60°C (zone 0/20)			R2
850273	"n" TEST FOR LOAD CELLS ATEX & IECEx - Ⓢ II 3 G, Ex nA IIC T6 Gc, -20°C < Ta < +60°C (zone 2)			R2
850274	"DUST" MARKING FOR LOAD CELL ATEX & IECEx - Ⓢ II 1 D, Ex ia IIIC T125°C Da, IP6X, -20°C < Ta < +60°C (zones 20)			R2
850278	FACTORY MUTUAL MARKING FOR SCAIME LOAD CELLS IN HAZARDOUS AREAS			R2

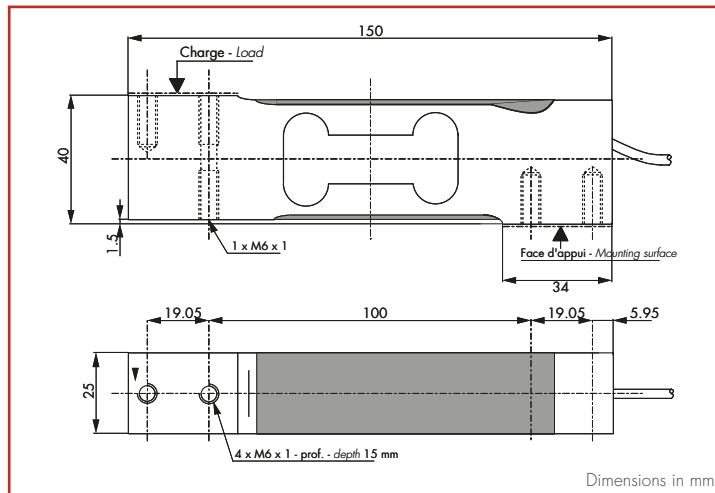
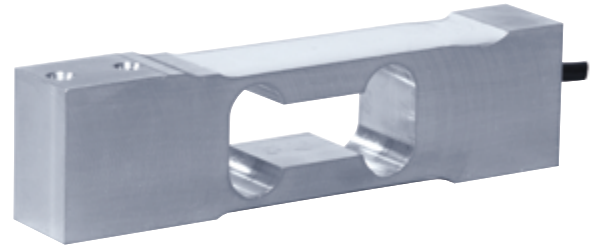
FS: rated capacity / v<sub>min</sub> = minimal interval (according to cert. OIML R60) / C.E. = Combined error in % of Cn / DC = Code put back

# AG100 C3

5 kg ... 100 kg



- Aluminum construction, protection class IP65
- 3 000 d OIML R60 and 5 000 d NTEP approved
- Off-centered load compensated up to 400 x 400 mm
- Ideal for single point scales or batching/dosing machines



Signal at FS: 2 mV/V ±10 %  
 Combined error: ±0.017 %FS  
 Impedance (in/out): 410 Ω ±15 / 350 Ω ±5  
 Compensated temperature range: -10 ... +40°C  
 Platform size: up to 400 x 400 mm  
 Cable/length: 6 shielded wires / 3 m  
 Warranty: 1 year

+ Excit.: Brown | + Sign.: Yellow | - Sign.: White | - Excit.: Green | + Sense: Grey | - Sense: Pink

Replaces: TH 1040/1042, HBM SP4, RT642, Celtron LOC, CAS BCA

P/N	Designation	Cn	V <sub>min.</sub>	DC
<b>Approved versions OIML C3, Y = 10 000</b>				
400755	LOAD CELL AG10 C3 SH 10e F TR	10 kg	1 g	R1
400756	LOAD CELL AG15 C3 SH 10e F TR	15 kg	1.5 g	R1
400757	LOAD CELL AG20 C3 SH 10e F TR	20 kg	2 g	R1
400758	LOAD CELL AG30 C3 SH 10e F	30 kg	3 g	R1
400981	LOAD CELL AG50 C3 SH 10e F TR	50 kg	5 g	R1
400982	LOAD CELL AG75 C3 SH 10e F	75 kg	7.5 g	R1
400983	LOAD CELL AG100 C3 SH 10e F TR	100 kg	10 g	R1
<b>Approved version OIML C3, Y = 5 000</b>				
400716	LOAD CELL AG5 C3 SH 5e F TR	5 kg	1 g	R1
<b>Options:</b>				
850322	SIGNAL PAIRING BY 0.5 % FOR SINGLE POINT LOAD CELLS (subject to stock availability of standard products)			R1
850203	OPTIONAL PROTECTIVE COATING			R1
850272	"SI" TEST FOR LOAD CELLS ATEX & IECEx - Ⓢ II 1 G/D, Ex ia IIC T6 Ga, Ex ia IIIC T80°C Da, IP6X, -20°C < Ta < +60°C (zone 0/20)			R2
850273	"n" TEST FOR LOAD CELLS ATEX & IECEx - Ⓢ II 3 G, Ex nA IIC T6 Gc, -20°C < Ta < +60°C (zone 2)			R2
850274	"DUST" MARKING FOR LOAD CELL ATEX & IECEx - Ⓢ II 1 D, Ex Ia IIIC T125°C Da, IP6X, -20°C < Ta < +60°C (zones 20)			R2
850278	MARKING "FM" FOR LOAD CELLS CERTIFIED TO FM HAZLOC I.S., CL I, II, III / DIV 1 / GP ABCDEFG; N.I., CL I, II, III / DIV 2 / GP ABCDEFG; NIFW			R2

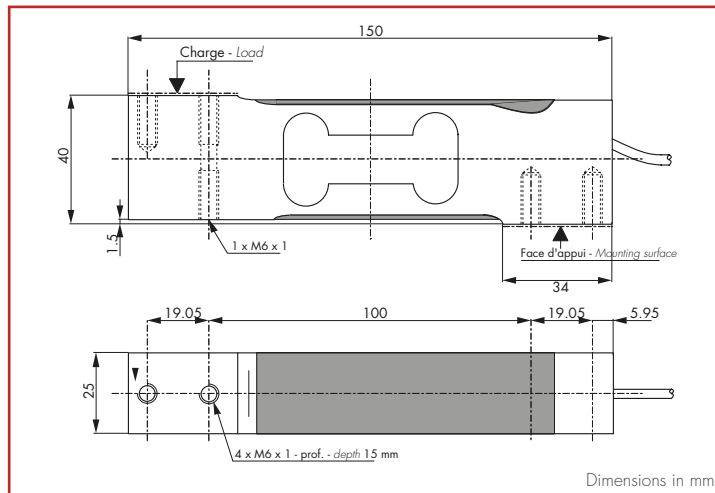
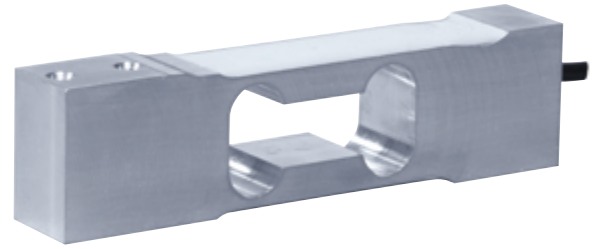
FS: rated capacity / v<sub>min</sub> = minimal interval (according to cert. OIML R60) / C.E. = Combined error in % of Cn / DC = Code put back

# AG100 C6

18 kg ... 100 kg



- Aluminum construction, protection class IP65
- 6 000 d OIML R60 approved
- Off-centered load compensated up to 400 x 400 mm
- Ideal for single point multirange scales or batching/dosing machines



Signal at FS: 2 mV/V ±10 %  
 Combined error: ±0.008 %FS  
 Impedance (in/out): 410 Ω ±15 / 350 Ω ±5  
 Compensated temperature range: -10 ... +40°C  
 Platform size: up to 400 x 400 mm  
 Cable: 6 shielded wires  
 Length: 3 m  
 Warranty: 1 year

+ Excit.: Brown | + Sign.: Yellow | - Sign.: White | - Excit.: Green | + Sense: Grey | - Sense: Pink

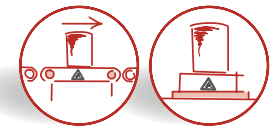
Replaces: TH 1040/1042, HBM SP4, RT642, Celtron LOC, CAS BCA

P/N	Designation	Cn	V <sub>min.</sub>	DC
<b>Approved versions OIML C6, Y = 10 000 / 15 000 / 18 000</b>				
400659	LOAD CELL AG18 C6 SH 18e F TR 3 m	18 kg	1 g	R1
400657	LOAD CELL AG36 C6 SH 18e F TR 3 m	36 kg	2 g	R1
400984	LOAD CELL AG50 C6 SH 10e F TR	50 kg	5 g	R1
400985	LOAD CELL AG75 C6 SH 15e F	75 kg	5 g	R1
400986	LOAD CELL AG100 C6 SH 10e F TR	100 kg	10 g	R1
<b>Options:</b>				
850322	SIGNAL PAIRING BY 0.5 % FOR SINGLE POINT LOAD CELLS (subject to stock availability of standard products)			R1
850203	OPTIONAL PROTECTIVE COATING			R1
850272	"SI" TEST FOR LOAD CELLS ATEX & IECEx - Ⓢ II 1 G/D, Ex ia IIC T6 Ga, Ex ia IIC T80°C Da, IP6X, -20°C < Ta < +60°C (zone 0/20)			R2
850273	"n" TEST FOR LOAD CELLS ATEX & IECEx - Ⓢ II 3 G, Ex nA IIC T6 Gc, -20°C < Ta < +60°C (zone 2)			R2
850274	"DUST" MARKING FOR LOAD CELL ATEX & IECEx - Ⓢ II 1 D, Ex ia IIC T1 25°C Da, IP6X, -20°C < Ta < +60°C (zones 20)			R2

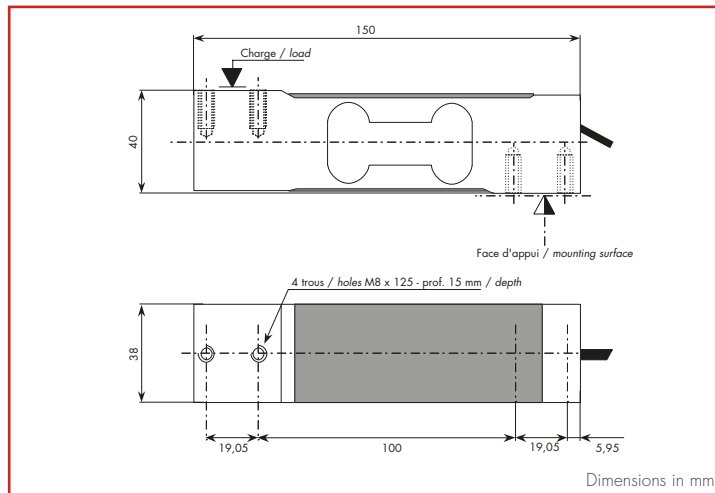
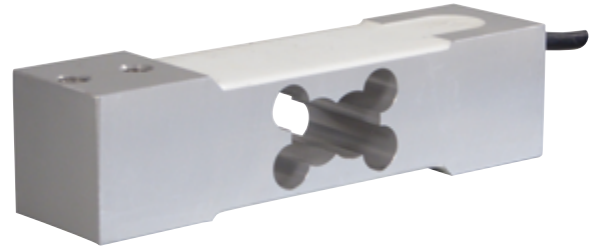
FS: rated capacity / v<sub>min</sub> = minimal interval (according to cert. OIML R60) / C.E. = Combined error in % of Cn / DC = Code print back

# AH

50 kg ... 200 kg



- Aluminum construction, protection class IP65
- 6 000 d OIML R60 approved
- Off-centered load compensated
- Low profile design



Signal at FS: 2 mV/V  $\pm$ 10 %  
 Combined error:  $\pm$ 0.017 %FS  
 Impedance (in/out): 410  $\Omega$   $\pm$ 20 / 350  $\Omega$   $\pm$ 5  
 Compensated temperature range: -10 ... +40°C  
 Platform size: up to 500 x 500 mm  
 Cable/length: 6 shielded wires / 3 m  
 Warranty: 1 year

+ Excit.: Brown | + Sign.: Yellow | - Sign.: White | - Excit.: Green | + Sense: Grey | - Sense: Pink

Replaces: TH 1241, HBM PW10

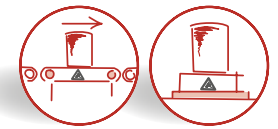
P/N	Designation	Cn	V <sub>min.</sub>	DC
<b>Approved versions OIML C3, Y = 10 000</b>				
400920	LOAD CELL AH50 C3 SH 10e TR	50 kg	5 g	R1
400921	LOAD CELL AH100 C3 SH 10e TR	100 kg	10 g	R1
400922	LOAD CELL AH200 C3 SH 10e TR	200 kg	20 g	R1
<b>Approved versions OIML C3, Y = 5 000: Consult us</b>				
<b>Approved versions OIML C6, Y = 10 000</b>				
400990	LOAD CELL AH50 C6 SH 10e F	50 kg	5 g	R1
400991	LOAD CELL AH100 C6 SH 10e F	100 kg	10 g	R1
400992	LOAD CELL AH200 C6 SH 10e F	200 kg	20 g	R1
<b>Options:</b>				
850322	SIGNAL PAIRING BY 0.5 % FOR SINGLE POINT LOAD CELLS (subject to stock availability of standard products)			R1
850203	OPTIONAL PROTECTIVE COATING			R1
850272	"SI" TEST FOR LOAD CELLS ATEX & IECEx - Ⓢ II 1 G/D, Ex ia IIC T6 Ga, Ex ia IIIC T80°C Da, IP6X, -20°C < Ta < +60°C (zone 0/20)			R2
850273	"n" TEST FOR LOAD CELLS ATEX & IECEx - Ⓢ II 3 G, Ex nA IIC T6 Gc, -20°C < Ta < +60°C (zone 2)			R2
850274	"DUST" MARKING FOR LOAD CELL ATEX & IECEx - Ⓢ II 1 D, Ex Ia IIIC T125°C Da, IP6X, -20°C < Ta < +60°C (zones 20)			R2

FS: rated capacity / v<sub>min</sub> = minimal interval (according to cert. OIML R60) / C.E. = Combined error in % of Cn / DC = Code put back

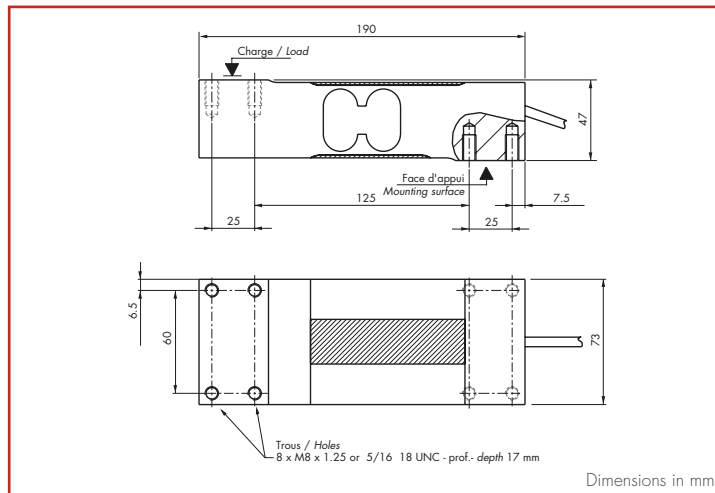
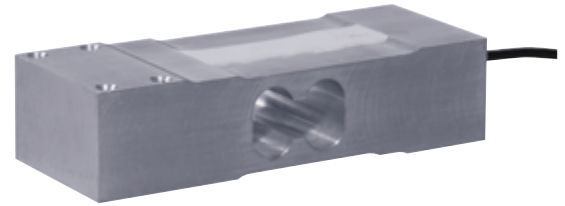


# AP

## 75 kg ... 635 kg



- Aluminum construction, protection class IP65
- 3 000 d OIML R60 and 5 000 d NTEP approved
- Off-center load compensated
- Super flat construction



Signal at FS: 2 mV/V ±10 %  
 Combined error: ±0.017 %FS  
 Impedance (in/out): 410 Ω ±20 / 350 Ω ±5  
 Compensated temperature range: -10 ... +40°C  
 Platform size: up to 700 x 700 mm  
 Cable/length: 6 shielded wires / 3 m  
 Warranty: 1 year

+ Excit.: Brown | + Sign.: Yellow | - Sign.: White | - Excit.: Green | + Sense: Grey | - Sense: Pink

Replaces: TH 1250, HBM PW12, RT 652, Celtron LOC, CAS BCM, Sensortronics 60060 (+ cale 28 mm)

P/N	Designation	Cn	V <sub>min.</sub>	DC
<b>Approved versions OIML C3, Y = 10 000</b>				
400913	LOAD CELL AP75 C3 SH 10e F TR	75 kg	7.5 g	R1
400914	LOAD CELL AP100 C3 SH 10e F TR	100 kg	10 g	R1
400915	LOAD CELL AP150 C3 SH 10e F TR	150 kg	15 g	R1
400916	LOAD CELL AP200 C3 SH 10e F TR	200 kg	20 g	R1
400917	LOAD CELL AP300 C3 SH 10e F TR	300 kg	30 g	R1
400918	LOAD CELL AP500 C3 SH 10e F TR	500 kg	50 g	R1
400919	LOAD CELL AP635 C3 SH 10e F TR	635 kg	63.5 g	R1
<b>Options:</b>				
850322	SIGNAL PAIRING BY 0.5 % FOR SINGLE POINT LOAD CELLS (subject to stock availability of standard products)			R1
850203	OPTIONAL PROTECTIVE COATING			R1
850272	"SI" TEST FOR LOAD CELLS ATEX & IECEx - Ⓢ II 1 G/D, Ex ia IIC T6 Ga, Ex ia IIIC T80°C Da, IP6X, -20°C < Ta < +60°C (zone 0/20)			R2
850273	"n" TEST FOR LOAD CELLS ATEX & IECEx - Ⓢ II 3 G, Ex nA IIC T6 Gc, -20°C < Ta < +60°C (zone 2)			R2
850274	"DUST" MARKING FOR LOAD CELL ATEX & IECEx - Ⓢ II 1 D, Ex ia IIIC T125°C Da, IP6X, -20°C < Ta < +60°C (zones 20)			R2

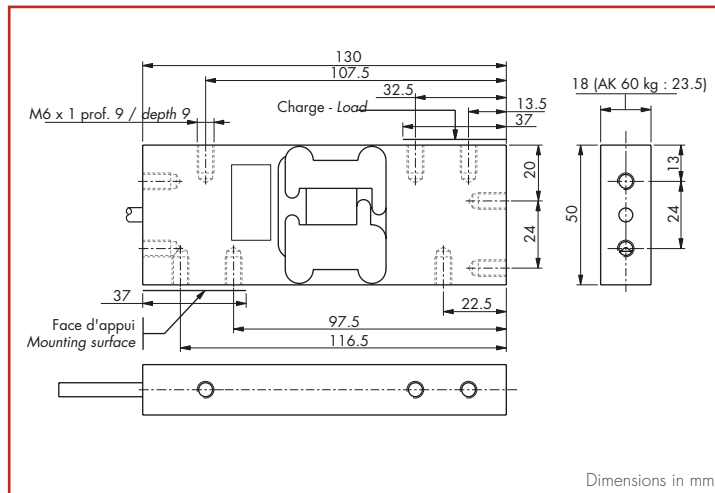
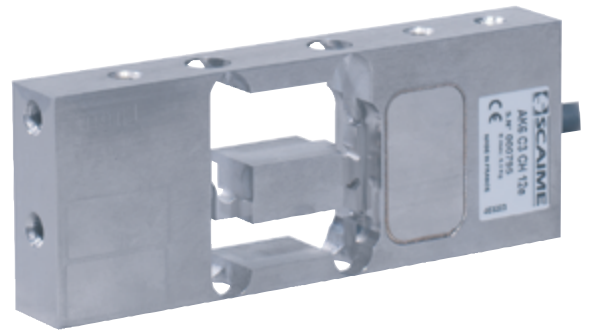
FS: rated capacity / v min = minimal interval (according to cert. OIML R60) / C.E. = Combined error in % of Cn / DC = Code put back

# AK 60

6 kg ... 60 kg



- Stainless steel construction, hermetically welded (IP68)
- Suited for use in humid environments
- 3 000 d OIML R60 and 5 000 d NTEP approved
- Optimized for dynamic weighing



ATEX IEC IECEx

Signal at FS: 2 mV/V ±10 %  
 Combined error: ±0.017 %FS  
 Impedance (in/out): 385 Ω ±20 / 350 Ω ±5  
 Compensated temperature range: -10 ... +40°C  
 Platform size: up to 420 x 420 mm  
 Cable/length: 6 shielded wires / 3 m  
 Warranty: 3 years

+ Excit.: Brown | + Sign.: Yellow | - Sign.: White | - Excit.: Green | + Sense: Grey | - Sense: Pink

Replace: RT HPS

P/N	Designation	Cn	V <sub>min.</sub>	DC
<b>Approved versions OIML C3, Y = 12 000</b>				
403003	LOAD CELL AK6 C3 CH 12e	6 kg	0.5 g	R1
403008	LOAD CELL AK12 C3 CH 12e	12 kg	1 g	R1
403013	LOAD CELL AK30 C3 CH 12e	30 kg	2.5 g	R1
403018	LOAD CELL AK60 C3 CH 12e	60 kg	5 g	R1
<b>Options:</b>				
850397	OPTIONAL HIGH CORROSION RESISTANCE PAINTING			R1
850322	SIGNAL PAIRING BY 0.5 % FOR SINGLE POINT LOAD CELLS (subject to stock availability of standard products)			R1
850272	"SI" TEST FOR LOAD CELLS ATEX & IECEx - Ⓢ II 1 G/D, Ex ia IIC T6 Ga, Ex ia IIIC T80°C Da, IP6X, -20°C < Ta < +60°C (zone 0/20)			R2
850273	"n" TEST FOR LOAD CELLS ATEX & IECEx - Ⓢ II 3 G, Ex nA IIC T6 Gc, -20°C < Ta < +60°C (zone 2)			R2
850274	"DUST" MARKING FOR LOAD CELL ATEX & IECEx - Ⓢ II 1 D, Ex ta IIIC T125°C Da, IP6X, -20°C < Ta < +60°C (zones 20)			R2

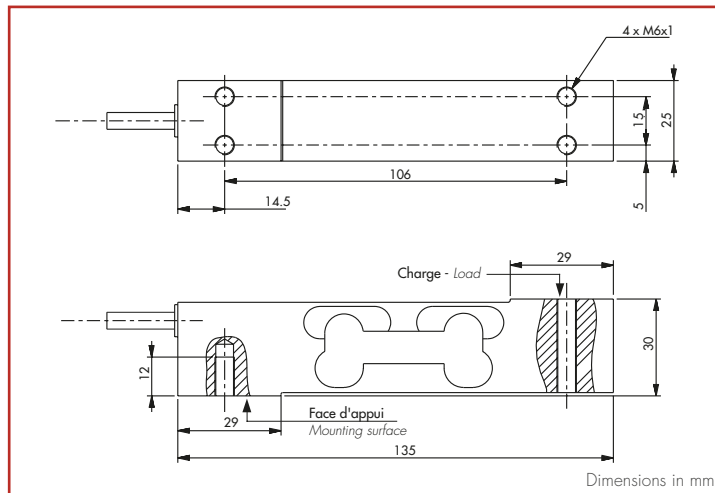
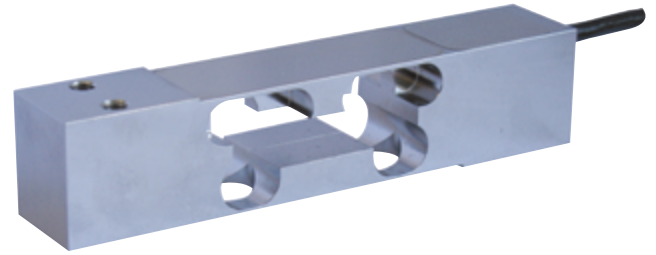
FS: rated capacity / v min = minimal interval (according to cert. OIML R60) / C.E. = Combined error in % of Cn / DC = Code put back

# AXL

10 kg ... 75 kg



- Stainless steel construction, hermetically welded (IP68)
- 3 000 d OIML R60 approved
- Ideally suited for platform scales in humid environments
- Off-center load compensated
- Patented design to combine high accuracy and high environmental protection level



Signal at FS: 2 mV/V  $\pm$ 10 %  
 Combined error:  $\pm$ 0.017 %FS  
 Impedance (in/out): 385  $\Omega$   $\pm$ 20 / 350  $\Omega$   $\pm$ 5  
 Compensated temperature range: -10 ... +40°C  
 Platform size: 400 x 400 mm  
 Cable/length: 6 shielded wires / 3 m  
 Warranty: 3 years

+ Excit.: Brown | + Sign.: Yellow | - Sign.: White | - Excit.: Green | + Sense: Grey | - Sense: Pink

P/N	Designation	Cn	V <sub>min.</sub>	DC
403030	LOAD CELL AXL10 C3 CH 5e	10 kg	2 g	R1
403032	LOAD CELL AXL20 C3 SH 10e	20 kg	2 g	R1
403034	LOAD CELL AXL50 C3 SH 10e	50 kg	5 g	R1
403035	LOAD CELL AXL75 C3 SH 15e	75 kg	5 g	R1
<b>Options:</b>				
850397	OPTIONAL HIGH CORROSION RESISTANCE PAINTING			R1
850322	SIGNAL PAIRING BY 0.5 % FOR SINGLE POINT LOAD CELLS (subject to stock availability of standard products)			R1
850272	"SI" TEST FOR LOAD CELLS ATEX & IECEx - Ⓢ II 1 G/D, Ex ia IIC T6 Ga, Ex ia IIIIC T80°C Da, IP6X, -20°C < Ta < +60°C (zone 0/20)			R2
850273	"n" TEST FOR LOAD CELLS ATEX & IECEx - Ⓢ II 3 G, Ex nA IIC T6 Gc, -20°C < Ta < +60°C (zone 2)			R2
850274	"DUST" MARKING FOR LOAD CELL ATEX & IECEx - Ⓢ II 1 D, Ex ia IIIIC T125°C Da, IP6X, -20°C < Ta < +60°C (zones 20)			R2

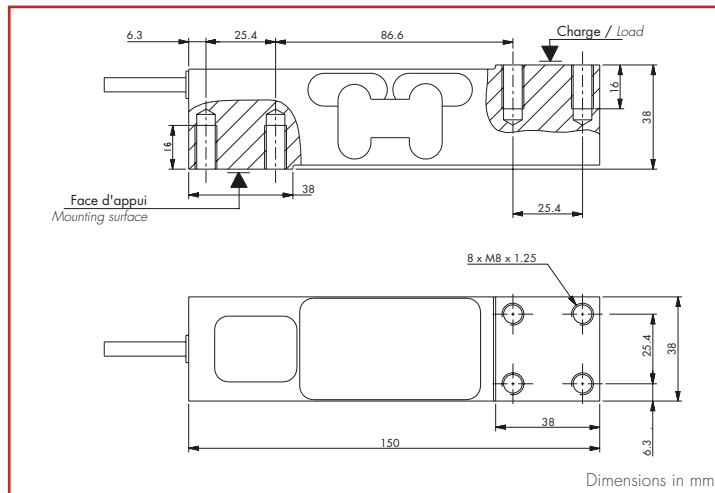
FS: rated capacity / v min = minimal interval (according to cert. OIML R60) / C.E. = Combined error in % of Cn / DC = Code put back

# AXH

100 kg ... 500 kg



- Stainless steel construction, hermetically welded IP68/IP69K
- 3 000 d OIML R60 approved
- Ideally suited for single point scales in humid environments
- Off-center load compensated
- Patented design to combine high accuracy and high environmental protection level



Signal at FS: 2 mV/V  $\pm 10\%$   
 Combined error:  $\pm 0.017\%$  FS  
 Impedance (in/out):  $385\ \Omega \pm 20$  /  $350\ \Omega \pm 5$   
 Compensated temperature range:  $-10 \dots +40^\circ\text{C}$   
 Platform size: 600 x 600 mm  
 Cable/length: 6 shielded wires / 3 m  
 Warranty: 3 years

+ Excit.: Brown | + Sign.: Yellow | - Sign.: White | - Excit.: Green | + Sense: Grey | - Sense: Pink

P/N	Designation	Cn	V <sub>min.</sub>	DC
403037	LOAD CELL AXH100 C3 CH 10e	100 kg	10 g	R1
403038	LOAD CELL AXH250 C3 CH 12e5	250 kg	20 g	R1
403040	LOAD CELL AXH500 C3 CH 10e	500 kg	50 g	R1
<b>Options:</b>				
850397	OPTIONAL HIGH CORROSION RESISTANCE PAINTING			R1
850322	SIGNAL PAIRING BY 0.5 % FOR SINGLE POINT LOAD CELLS (subject to stock availability of standard products)			R1
850272	"SI" TEST FOR LOAD CELLS ATEX & IECEx - Ⓢ II 1 G/D, Ex ia IIC T6 Ga, Ex ia IIIIC T80°C Da, IP6X, -20°C < Ta < +60°C (zone 0/20)			R2
850273	"n" TEST FOR LOAD CELLS ATEX & IECEx - Ⓢ II 3 G, Ex nA IIC T6 Gc, -20°C < Ta < +60°C (zone 2)			R2
850274	"DUST" MARKING FOR LOAD CELL ATEX & IECEx - Ⓢ II 1 D, Ex ia IIIIC T125°C Da, IP6X, -20°C < Ta < +60°C (zones 20)			R2

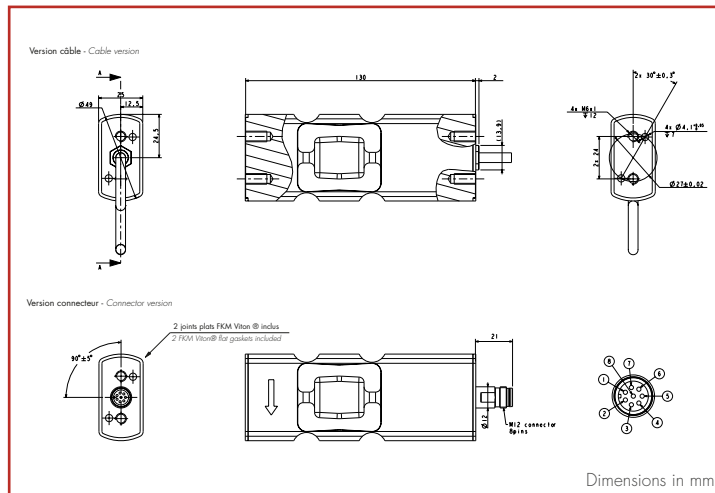
FS: rated capacity / v min = minimal interval [according to cert. OIML R60] / C.E. = Combined error in % of Cn / DC = Code put back

# AVS

15 kg ... 75 kg



- Hygienic single point load cell, EHEDG certified
- Stainless steel construction, sealed (IP68, IP69K)
- Approved up to 3 000 d OIML R60
- Aseptic design and easy to clean, ideally suited in food & beverage weighing applications
- Off-center load compensated
- Optional connector output
- Optional calibrated output signal



Signal at FS: 2 mV/V ±10 %  
 Combined error: ±0.017 %FS  
 Impedance (in/out): 385 Ω ±20 / 350 Ω ±5  
 Compensated temperature range: -10 ... +40°C  
 Platform size: up to 600 x 400 mm  
 Cable/length: 6 shielded wires / 3 m or connector M12  
 Warranty: 3 years

+ Excit.: Brown | + Sign.: Yellow | - Sign.: White | - Excit.: Green | + Sense: Grey | - Sense: Pink  
 + Excit.: 7 | + Sign.: 1 | - Sign.: 8 | - Excit.: 6 | + Sense: 3 | - Sense: 5

Replaces : HBM PW27

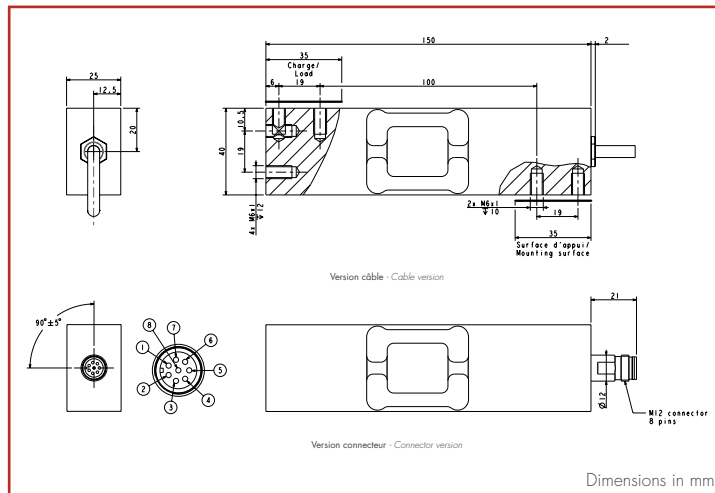
P/N	Designation	Cn	V <sub>min.</sub>	DC
403131	LOAD CELL AVS 15 C3 CH 15e TR	15 kg	1 g	R2
403132	LOAD CELL AVS 30 C3 CH 15e TR	30 kg	2 g	R2
403133	LOAD CELL AVS 75 C3 CH 15e TR	75 kg	5 g	R2
<b>CO8 Versions: 8 pins</b>				
403137	LOAD CELL AVS 15 C3 CH 15e CO8	15 kg	1 g	R2
403138	LOAD CELL AVS 30 C3 CH 15e CO8	30 kg	2 g	R2
403139	LOAD CELL AVS 75 C3 CH 15e CO8	75 kg	5 g	R2
<b>Accessory:</b>				
CABLE WITH M12 8 POLES CONNECTOR				

FS: rated capacity / v min = minimal interval (according to cert. OIML R60) / C.E. = Combined error in % of Cn / DC = Code print back

# AVX C3

7.5 kg ... 125 kg

- Made in stainless steel 1.4418 grade for use in salt environment (except 125 kg)
- Hermetically sealed (IP68, IP69K)
- Approved up to 6000 d OIML R60
- Ideally suited for scales or dosing machines used in wet environments
- Off-center load compensated
- Optional connector output
- Optional calibrated output signal



Signal at FS:  $2 \text{ mV/V} \pm 10\%$  /  $1.96 \text{ mV/V} \pm 0.1\%$   
 Combined error:  $\pm 0.017\% \text{ FS (C3)}$   
 Impedance (in/out):  $385 \Omega \pm 20$  /  $350 \Omega \pm 5$   
 Compensated temperature range:  $-10 \dots +40^\circ\text{C}$   
 Platform size: up to  $600 \times 400 \text{ mm}$   
 Cable/length: 6 shielded wires / 3 m or connector M12  
 Warranty: 3 years

+ Excit.: Brown | + Sign.: Yellow | - Sign.: White | - Excit.: Green | + Sense: Grey | - Sense: Pink

Replaces: HBM PW15

P/N	Designation	Cn	V <sub>min.</sub>	DC
403186	LOAD CELL AVX7.5 C3 CH 15e TR	7.5 kg	0.5 g	R1
403183	LOAD CELL AVX15 C3 CH 15e TR	15 kg	1 g	R1
403184	LOAD CELL AVX30 C3 CH 15e TR	30 kg	2 g	R1
403185	LOAD CELL AVX75 C3 CH 15e TR	75 kg	5 g	R1
403187	LOAD CELL AVX125 C3 CH 15e TR	125 kg	8.33 g	R1
<b>Versions with aligned output signal</b>				
403146	LOAD CELL AVX15 C3 CH 15e TR MS	15 kg	1 g	R1
403147	LOAD CELL AVX30 C3 CH 15e TR MS	30 kg	2 g	R1
403148	LOAD CELL AVX75 C3 CH 15e TR MS	75 kg	5 g	R1
403165	LOAD CELL AVX125 C3 CH 15e TR MS	125 kg	8.33 g	R1
<b>CO8 versions: 8 pins</b>				
403182	LOAD CELL AVX7.5 C3 CH 15e CO8	7.5 kg	0.5 g	R1
403134	LOAD CELL AVX15 C3 CH 15e CO8	15 kg	1 g	R1
403135	LOAD CELL AVX30 C3 CH 15e CO8	30 kg	2 g	R1
403136	LOAD CELL AVX75 C3 CH 15e CO8	75 kg	5 g	R1
403168	LOAD CELL AVX125 C3 CH 15e CO8	125 kg	8.33 g	R1
<b>CO8 versions with aligned output signal</b>				
403149	LOAD CELL AVX15 C3 CH 15e CO8 MS	15 kg	1 g	R1
403150	LOAD CELL AVX30 C3 CH 15e CO8 MS	30 kg	2 g	R1
403151	LOAD CELL AVX75 C3 CH 15e CO8 MS	75 kg	5 g	R1
403166	LOAD CELL AVX125 C3 CH 15e CO8 MS	125 kg	8.33 g	R1
<b>Accessory:</b>				
	CABLE WITH M12 8 POLES CONNECTOR			

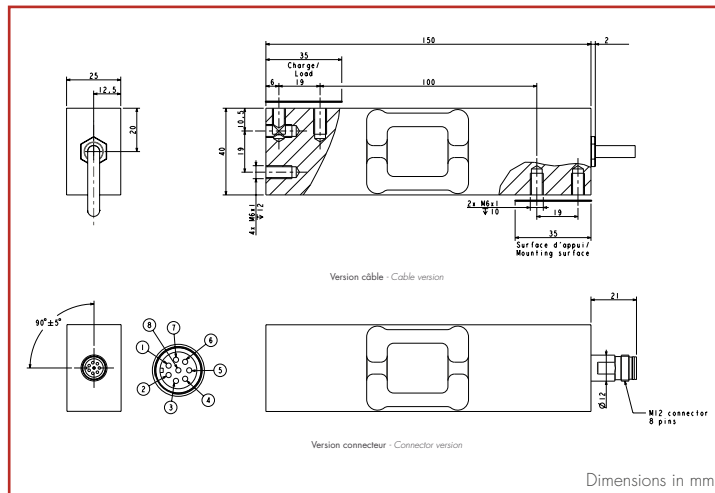
FS: rated capacity / v<sub>min</sub> = minimal interval (according to cert. OIML R60) / C.E. = Combined error in % of Cn / DC = Code put back

# AVX C6

15 kg ... 125 kg



- Made in stainless steel 1.4418 grade for use in salt environment (except 125 kg)
- Hermetically sealed (IP68, IP69K)
- Approved up to 6000 d OIML R60
- Ideally suited for scales or dosing machines used in wet environments
- Off-center load compensated
- Optional connector output
- Optional calibrated output signal



Signal at FS:  $2 \text{ mV/V} \pm 10\%$  /  $1.96 \text{ mV/V} \pm 0.1\%$   
 Combined error:  $\pm 0.008\%$  FS  
 Impedance (in/out):  $385 \Omega \pm 20$  /  $350 \Omega \pm 5$   
 Compensated temperature range:  $-10 \dots +40^\circ\text{C}$   
 Platform size:  $500 \times 400 \text{ mm}$   
 Cable/length: 6 shielded wires / 3 m or connector M12  
 Warranty: 3 years

+ Excit.: Brown | + Sign.: Yellow | - Sign.: White | - Excit.: Green | + Sense: Grey | - Sense: Pink

Replaces : HBM PW15

P/N	Designation	Cn	V <sub>min.</sub>	DC
403140	LOAD CELL AVX 15 C6 CH 15e TR	15 kg	1 g	R1
403141	LOAD CELL AVX 30 C6 CH 15e TR	30 kg	2 g	R1
403142	LOAD CELL AVX 75 C6 CH 15e TR	75 kg	5 g	R1
403170	LOAD CELL AVX 125 C5 CH 15e TR	125 kg	8.33 g	R1
<b>Versions with aligned output signal</b>				
403152	LOAD CELL AVX15 C6 CH 15e TR MS	15 kg	1 g	R1
403153	LOAD CELL AVX30 C6 CH 15e TR MS	30 kg	2 g	R1
403154	LOAD CELL AVX75 C6 CH 15e TR MS	75 kg	5 g	R1
403172	LOAD CELL AVX 125 C5 CH 15e TR MS	125 kg	8.33 g	R1
<b>CO8 versions: 8 pins</b>				
403143	LOAD CELL AVX 15 C6 CH 15e CO8	15 kg	1 g	R1
403144	LOAD CELL AVX 30 C6 CH 15e CO8	30 kg	2 g	R1
403145	LOAD CELL AVX 75 C6 CH 15e CO8	75 kg	5 g	R1
403171	LOAD CELL AVX 125 C5 CH 15e CO8	125 kg	8.33 g	R1
<b>CO8 versions with aligned output signal</b>				
403155	LOAD CELL AVX15 C6 CH 15e CO8 MS	15 kg	1 g	R1
403156	LOAD CELL AVX30 C6 CH 15e CO8 MS	30 kg	2 g	R1
403157	LOAD CELL AVX75 C6 CH 15e CO8 MS	75 kg	5 g	R1
403173	LOAD CELL AVX 125 C5 CH 15e CO8 MS	125 kg	8.33 g	R1
<b>Accessory:</b>				
	CABLE WITH M12 8 POLES CONNECTOR			

FS: rated capacity / v min = minimal interval (according to cert. OIML R60) / C.E. = Combined error in % of Cn / DC = Code put back



# Load cells & Accessories

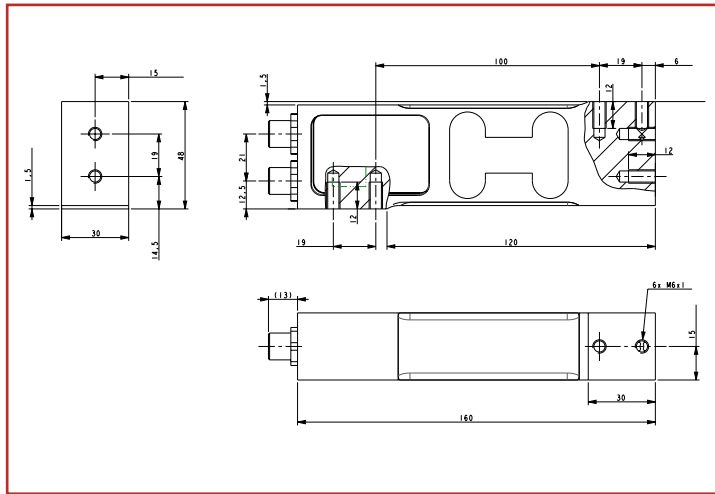
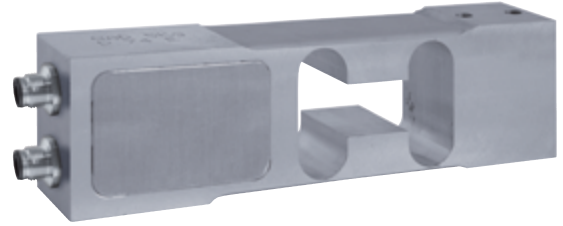
Digital load cells...

# AAD-C

5 kg ... 75 kg



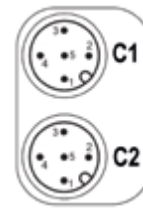
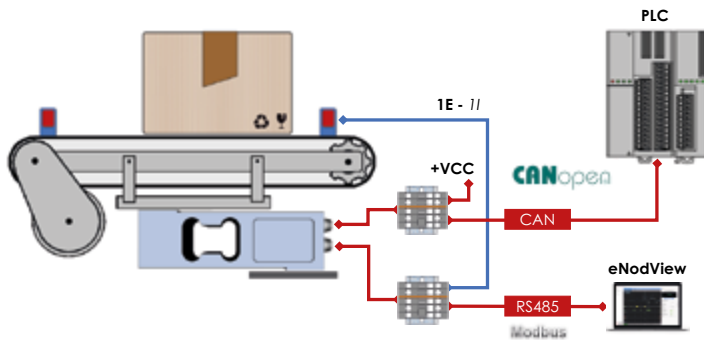
- Digital single point load cell
- Aluminum construction, IP65 protection level
- High accuracy load cell with compact design
- Function: High speed checkweigher, grading
- 2 digital inputs and 4 outputs
- Port RS485 Modbus and port CANOpen
- Certification OIML R76, R61 (15kg...75kg)



Power supply: 10 ... 28 V  
 Resolution at FS: 500 000 d  
 Combined error:  $\pm 0.019\%$  FS  
 Conversion: 24 bit, 6-1 600 meas./s.  
 Compensated temperature range: -10 ... +40°C  
 Output: on M12 5/8 pin connectors  
 Platform size: Up to 400 x 600 mm  
 Warranty: 1 year

## Interfaces diagram, serial versions

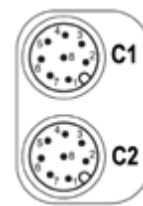
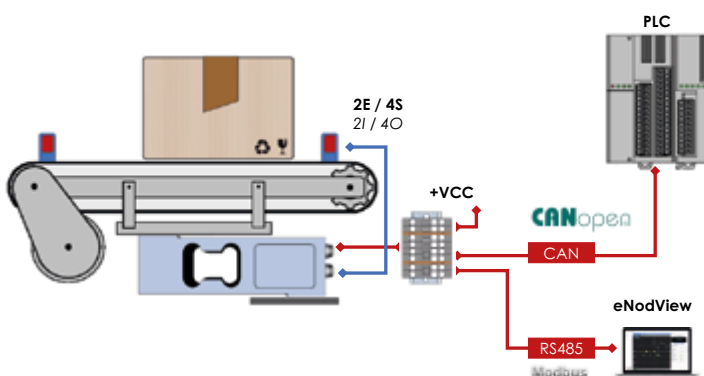
11A wiring: CAN, RS485, 1 digital Input



Pin	C1	C2
1	NC	E1 -
2	+VCC	E1 +
3	GND	GND
4	CAN-H	TA / RA
5	CAN-L	TB / RB

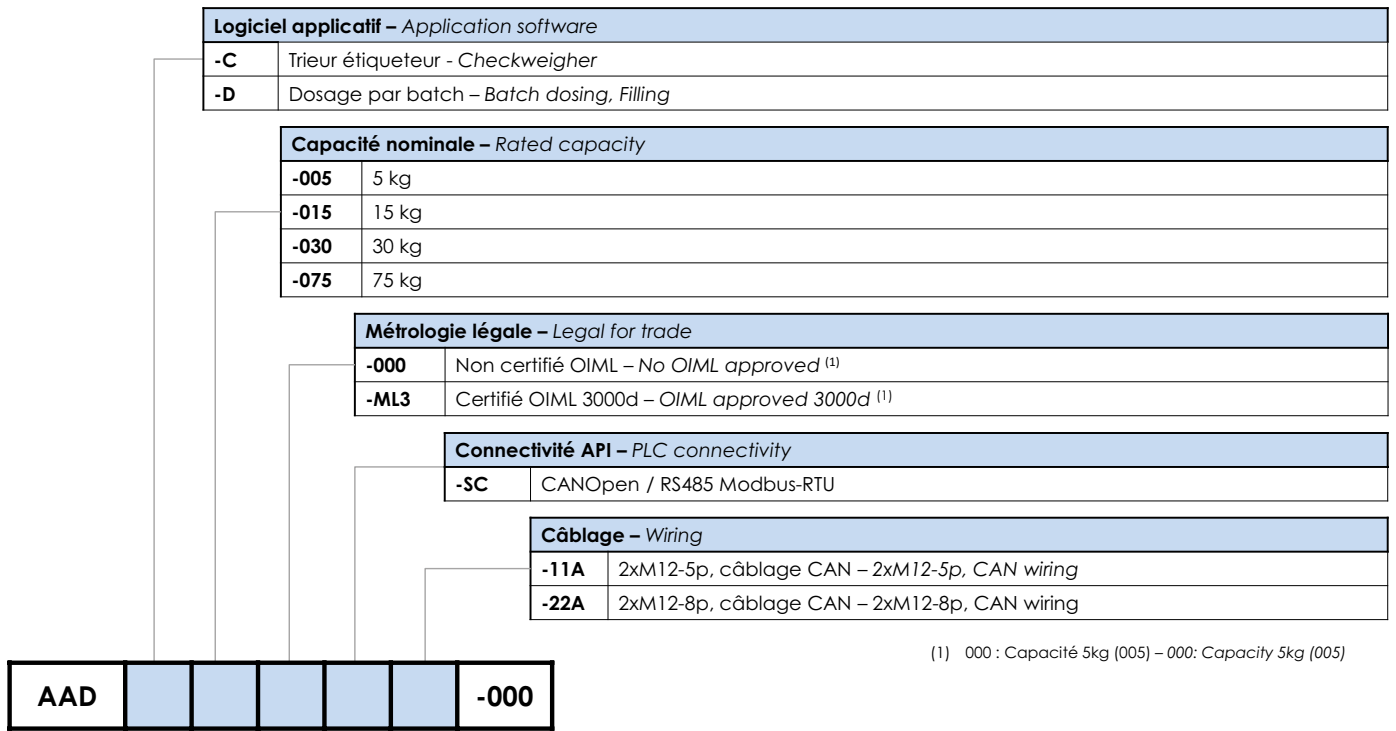
▲ 2 connectors M12-5pts male

22A wiring: CAN, RS485, 2I / 4O



Pin	C1	C2
1	GND	E <sub>COM</sub> -
2	+VCC	E1 +
3	NC	E2 +
4	NC	S <sub>COM</sub> +
5	CAN-H	S1
6	CAN-L	S2
7	TA / RA	S3
8	TB / RB	S4

▲ 2 connectors M12-8pts male



P/N	Designation	DC
<b>Accessories:</b>		
640096	RS485/USB CONVERTER	R3
640100	5M CABLE WITH M12 5 POLES CONNECTOR	R4
640101	5M CABLE WITH M12 8 POLES CONNECTOR	R4
640103	2M CABLE WITH M12 5 POLES CONNECTOR	R4
640104	2M CABLE WITH M12 8 POLES CONNECTOR	R4

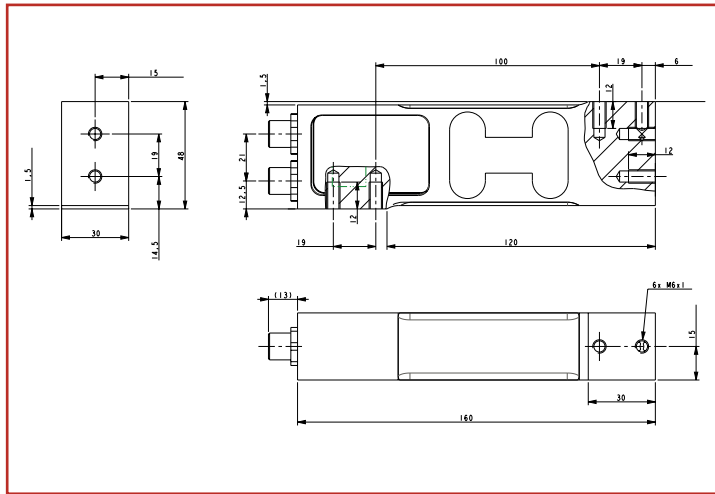
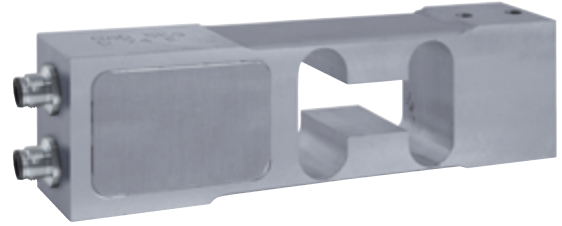
DC = Code pull back

# AAD-D

5 kg ... 75 kg



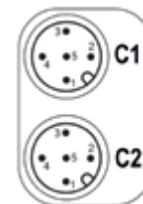
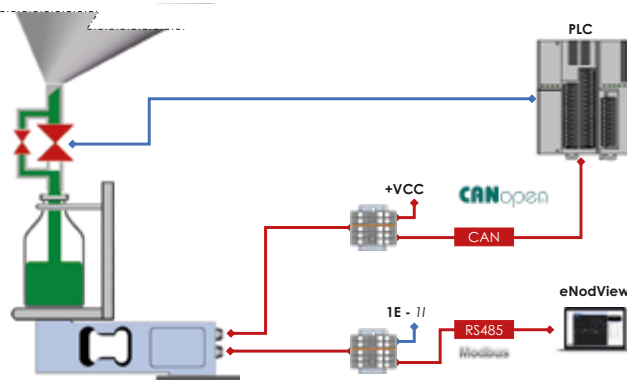
- Digital single point load cell
- Aluminum construction, IP65 protection level
- High accuracy load cell with compact design
- Function: dosing by filling and unloading
- 2 digital inputs and 4 outputs
- Port RS485 Modbus and port CANOpen
- Certification OIML R76, R51 (15kg...75kg)



Power supply: 10 ... 28 V  
 Resolution at FS: 500 000 d  
 Combined error:  $\pm 0.019\%$  FS  
 Conversion: 24 bit, 6-1 600 meas./s.  
 Compensated temperature range: -10 ... +40°C  
 Output: on 2 x M12 5/8 pin IP67 connectors  
 Platform size: Up to 400 x 600 mm  
 Warranty: 1 year

## Interfaces diagram, serial versions

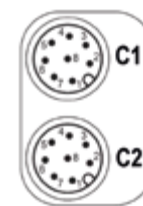
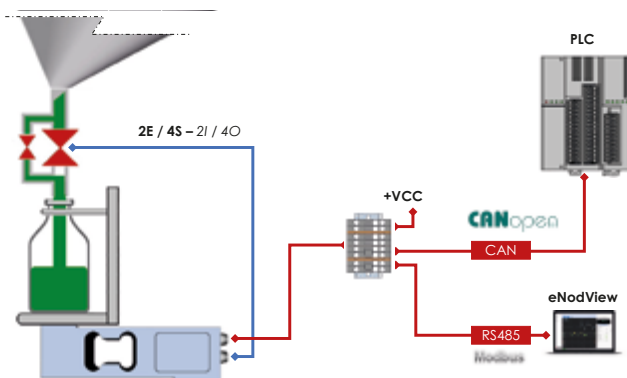
11A wiring: CAN, RS485, 1 digital Input



Pin	C1	C2
1	NC	E1 -
2	+ VCC	E1 +
3	GND	GND
4	CAN-H	TA / RA
5	CAN-L	TB / RB

▲ 2 connectors M12-5pts male

22A wiring: CAN, RS485, 2I / 4O



Pin	C1	C2
1	GND	E <sub>COM</sub> -
2	+ VCC	E1 +
3	NC	E2 +
4	NC	S <sub>COM</sub> +
5	CAN-H	S1
6	CAN-L	S2
7	TA / RA	S3
8	TB / RB	S4

▲ 2 connectors M12-8pts male

Logiciel applicatif – Application software	
-C	Trieur étiqueteur - Checkweigher
-D	Dosage par batch – Batch dosing, Filling

Capacité nominale – Rated capacity	
-005	5 kg
-015	15 kg
-030	30 kg
-075	75 kg

Métrologie légale – Legal for trade	
-000	Non certifié OIML – No OIML approved <sup>(1)</sup>
-ML3	Certifié OIML 3000d – OIML approved 3000d <sup>(1)</sup>

Connectivité API – PLC connectivity	
-SC	CANOpen / RS485 Modbus-RTU

Câblage – Wiring	
-11A	2xM12-5p, câblage CAN – 2xM12-5p, CAN wiring
-22A	2xM12-8p, câblage CAN – 2xM12-8p, CAN wiring

(1) 000 : Capacité 5kg (005) – 000: Capacity 5kg (005)

AAD						-000
-----	--	--	--	--	--	------

P/N	Designation	DC
<b>Accessories:</b>		
640096	RS485/USB CONVERTER	R3
640100	5M CABLE WITH M12 5 POLES CONNECTOR	R4
640101	5M CABLE WITH M12 8 POLES CONNECTOR	R4
640103	2M CABLE WITH M12 5 POLES CONNECTOR	R4
640104	2M CABLE WITH M12 8 POLES CONNECTOR	R4

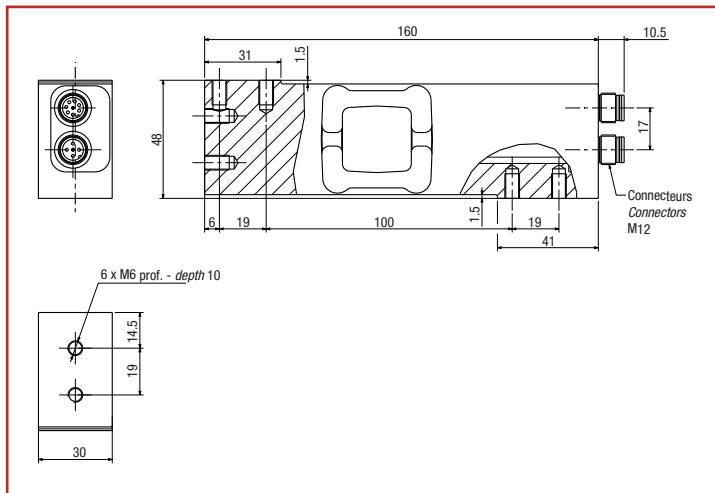
DC = Code part back

# DVX-C

7.5 kg ... 75 kg



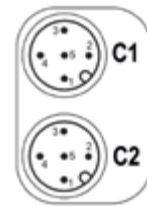
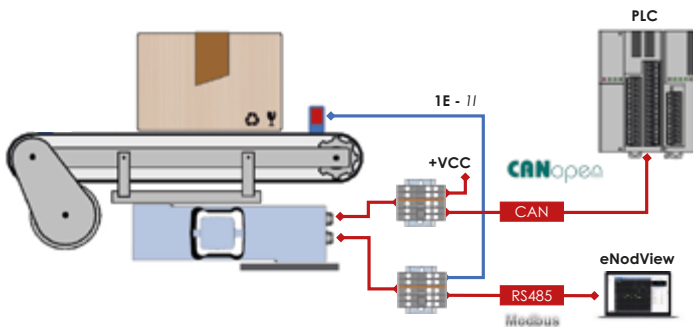
- Digital single point load cell
- Stainless steel construction, sealed IP68/IP69K
- Robust design for dynamic applications
- Function: High speed checkweigher, grading
- 2 digital inputs and 4 outputs
- Serial version: port RS485 Modbus and port CANOpen
- Ethernet version: EtherNet/IP, Profinet, Web server
- Certification OIML R76, R51(serial version 15kg...75kg)



Power supply: 10 ... 28 V  
 Resolution at FS: 500 000 d  
 Combined error:  $\pm 0.019\%$  FS  
 Conversion: 24 bits, 6-1 600 meas./s.  
 Compensated temperature range: -10 ... +40°C  
 Output: M12 5/8/12 pin connectors  
 Platform size: 400 x 400 mm  
 Warranty: 3 years

## Interfaces diagram, serial versions

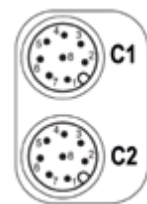
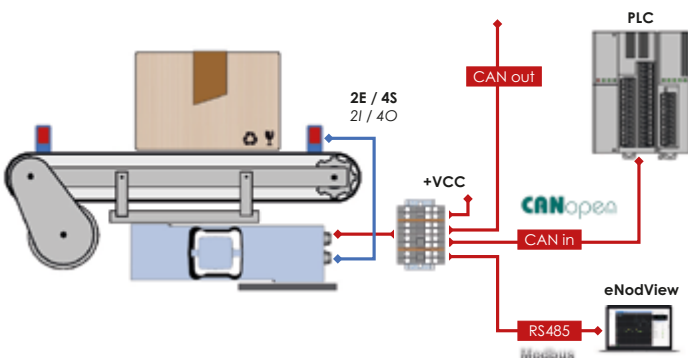
11A wiring: CAN, RS485, 1 digital Input



Pin	C1	C2
1	NC	E1 -
2	+ VCC	E1 +
3	GND	GND
4	CAN-H	TA / RA
5	CAN-L	TB / RB

▲ 2 connectors M12-5pts male

22A wiring: CAN output in Y, RS485, 2I / 4O



Pin	C1	C2
1	GND	E <sub>COM</sub> +
2	+ VCC	E1 +
3	CAN-H in	E2 +
4	CAN-L in	S <sub>COM</sub> +
5	CAN-H out	S1
6	CAN-L out	S2
7	TA / RA	S3
8	TB / RB	S4

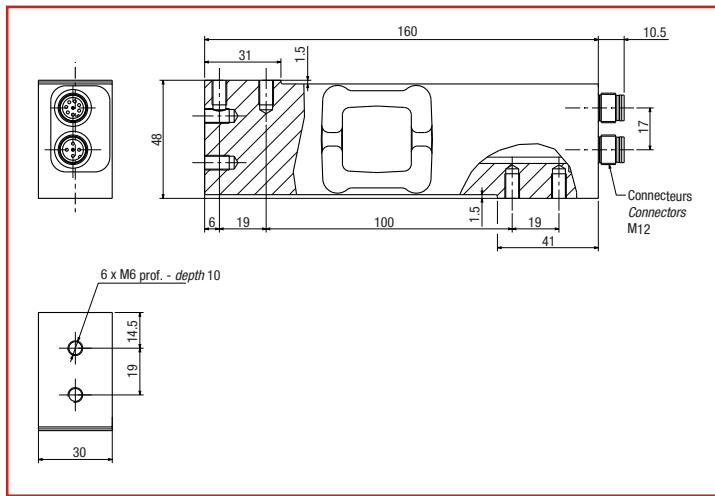
▲ 2 connectors M12-8pts male

# DVX-D

7.5 kg ... 75 kg



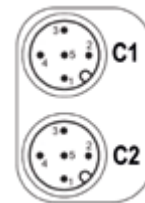
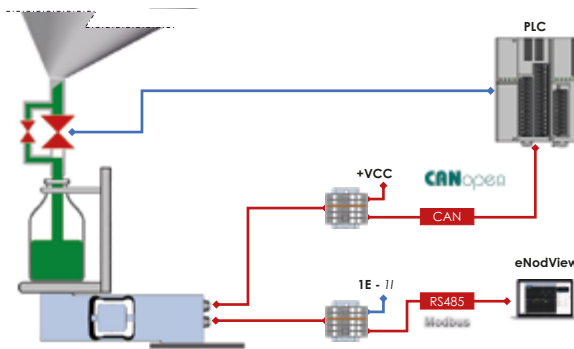
- Digital single point load cell
- Stainless steel construction, sealed IP68/IP69K
- Robust construction suitable for rotary fillers
- Function: dosing by filling and unloading
- 2 digital inputs and 4 outputs
- Serial version: port RS485 Modbus and port CANOpen
- Ethernet version: EtherNet/IP, Profinet, Web server
- Certification OIML R76, R61(serial version 15kg...75kg)



Power supply: 10 ... 28 V  
 Resolution at FS: 500 000 d  
 Combined error:  $\pm 0.019\%$  FS  
 Conversion: 24 bit, 6-1 600 meas./s.  
 Compensated temperature range: -10 ... +40°C  
 Output: on M12 5/8/12 pin connectors  
 Platform size: 400 x 400 mm  
 Warranty: 3 years

## Interfaces diagram, serial versions

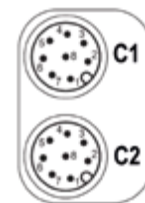
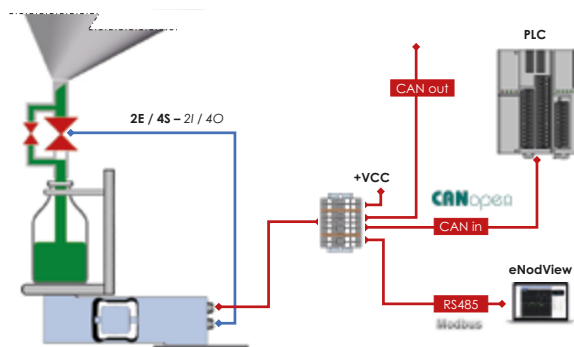
11A wiring: CAN, RS485, 1 digital Input



Pin	C1	C2
1	NC	E1 -
2	+ VCC	E1 +
3	GND	GND
4	CAN-H	TA / RA
5	CAN-L	TB / RB

▲ 2 connectors M12-5pts male

22A wiring: CAN output in Y, RS485, 2I / 4O

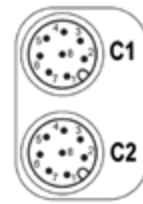
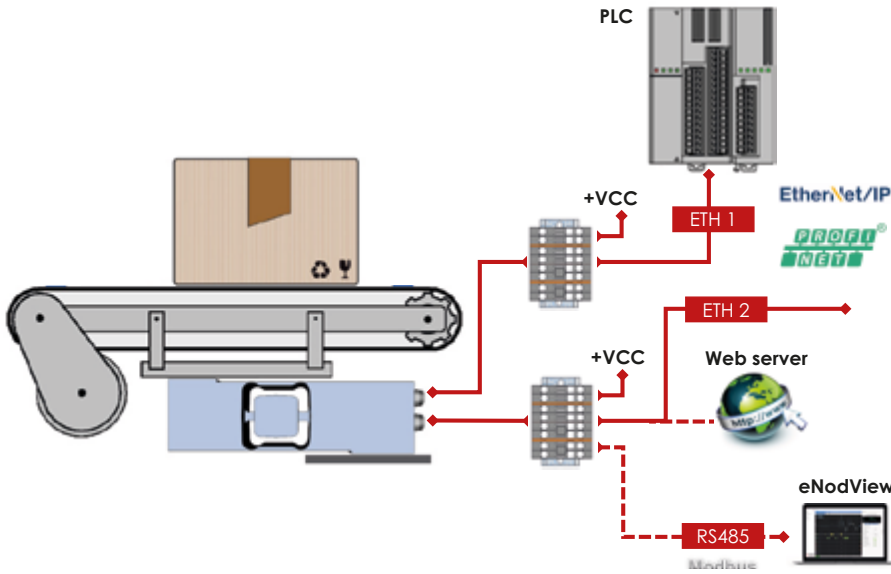


Pin	C1	C2
1	GND	E <sub>COM</sub> -
2	+ VCC	E1 +
3	CAN-H in	E2 +
4	CAN-L in	S <sub>COM</sub> +
5	CAN-H out	S1
6	CAN-L out	S2
7	TA / RA	S3
8	TB / RB	S4

▲ 2 connectors M12-8pts male

# Interfaces diagram, Ethernet version

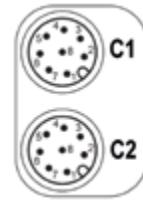
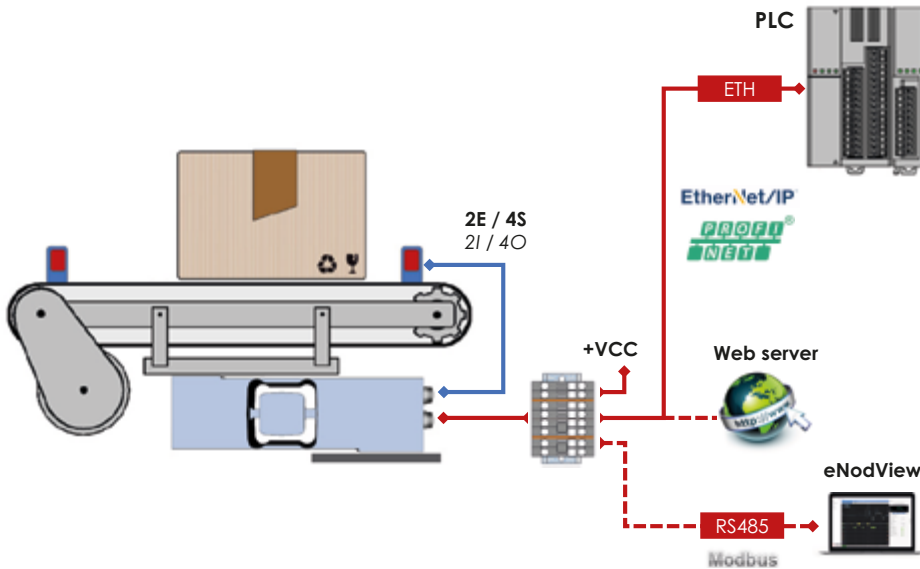
22B wiring: dual-Ethernet & switch, RS485



Pin	C1	C2
1	GND	GND
2	+VCC	+VCC
3	TA / RA	TA / RA
4	TB / RB	TB / RB
5	RXP2	RXP1
6	RXN2	RXN1
7	TXP2	TXP1
8	TXN2	TXN1

▲ 2 connectors M12-8pts male

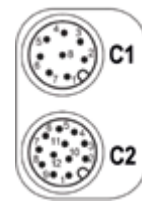
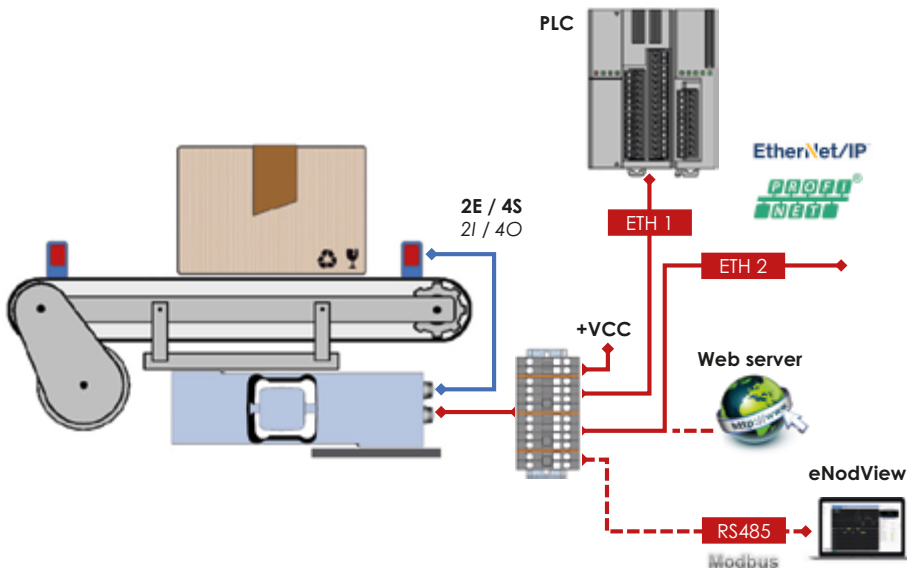
22C wiring: Single-Ethernet, RS485, 2I / 4O



Pin	C1	C2
1	E <sub>COM</sub> -	GND
2	E1 +	+VCC
3	E2 +	TA / RA
4	S <sub>COM</sub> +	TB / RB
5	S1	RXP1
6	S2	RXN1
7	S3	TXP1
8	S4	TXN1

▲ 2 connectors M12-8pts male

32B wiring: dual-Ethernet & switch, RS485, 2I / 4O



Pin	C1	C2
1	E <sub>COM</sub> -	GND
2	E1 +	+VCC
3	E2 +	TA / RA
4	S <sub>COM</sub> +	TB / RB
5	S1	RXP1
6	S2	RXN1
7	S3	TXP1
8	S4	TXN1
9		RXP2
10		RXN2
11		TXP2
12		TXN2

▲ 1 M12-12 pts male, 1 M12-8pts male

## Ordering references

Logiciel applicatif – Application software	
-C	Trieur étiqueteur - Checkweigher
-D	Dosage par batch – Batch dosing, Filling

Capacité nominale – Rated capacity	
-007	7.5 kg
-015	15 kg
-030	30 kg
-075	75 kg

Métrologie légale – Legal for trade	
-000	Non certifié OIML – No OIML approved <sup>(1)</sup>
-ML3	Certifié OIML 3000d – OIML approved 3000d <sup>(1)</sup>

Connectivité API – PLC connectivity	
-SC	CANOpen / RS485 Modbus-RTU
-EI	Ethernet, EtherNet/IP
-EP	Ethernet, Profinet

Câblage – Wiring	
-11A	2xM12-5p, câblage CAN – 2xM12-5p, CAN wiring <sup>(2)</sup>
-22A	2xM12-8p, câblage CAN – 2xM12-8p, CAN wiring <sup>(2)</sup>
-22B	2xM12-8p, câblage ETH Dual – 2xM12-8p, ETH Dual wiring <sup>(3)</sup>
-22C	2xM12-8p, câblage ETH IO – 2xM12-8p, ETH IO wiring <sup>(3)</sup>
-32A	1xM12-12p, 1xM12-8p, câblage ETH – 1xM12-12p, 1xM12-8p, ETH wiring <sup>(3)</sup>

DVX						-000
-----	--	--	--	--	--	------

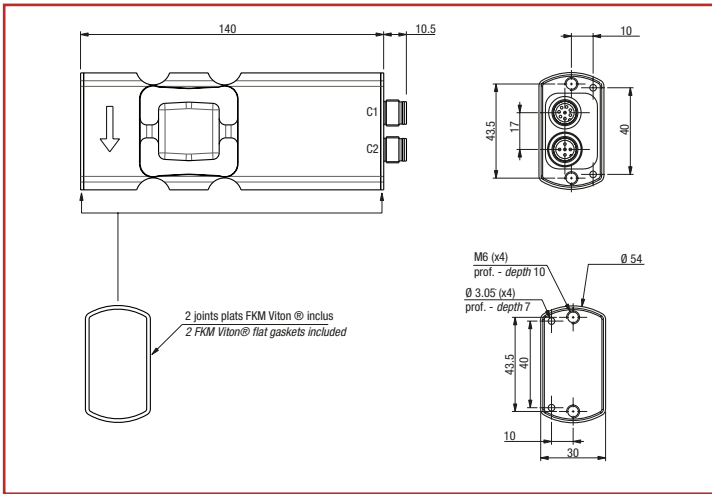
- (1) 000 : Capacité 7.5kg (007) et Ethernet (EI, EP) – 000: Capacity 7.5kg (007) and Ethernet (EI, EP)  
 (2) Uniquement avec connectivité SC – Only with SC connectivity  
 (3) Uniquement avec connectivité EI, EP – Only with EI, EP connectivity

P/N	Designation	DC
<b>Accessories:</b>		
640096	RS485/USB CONVERTER	R3
640100	5M CABLE WITH M12 5 POLES CONNECTOR	R4
640101	5M CABLE WITH M12 8 POLES CONNECTOR	R4
640103	2M CABLE WITH M12 5 POLES CONNECTOR	R4
640104	2M CABLE WITH M12 8 POLES CONNECTOR	R4
640113	5M PUR 4 TWEESTED PAIRS WITH SS M12 8 POLES CONNECTOR IP69K	R4
640114	5M PUR 6 TWEESTED PAIRS WITH SS M12 12 POLES CONNECTOR IP69K	R4

# DVS-C

15 kg ... 75 kg

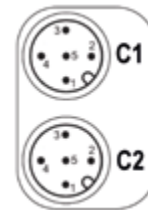
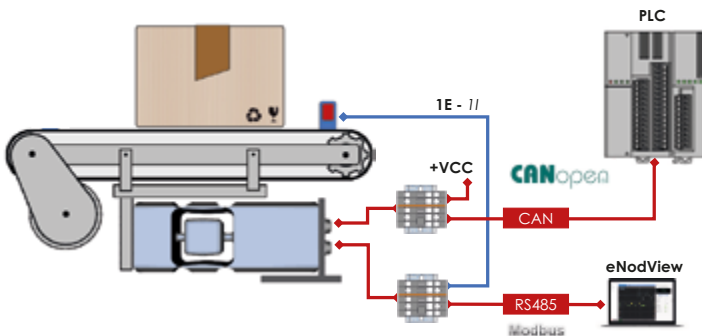
- Hygienic digital single point load cell, certified EHEDG, type EL Class I AUX.
- Stainless steel construction, sealed IP68/IP69K
- Robust design for dynamic applications
- Function: High speed checkweigher, grading
- 2 digital inputs and 4 outputs
- Serial version: port RS485 Modbus and port CANOpen
- Ethernet version: EtherNet/IP, Profinet, Web server
- Certification according to OIML R76, R51(serial version)



Power supply: 10 ... 28 V  
 Resolution for FS: 500 000 d  
 Combined error:  $\pm 0.019\%$  FS  
 Conversion: 24 bits, 6-1 600 meas./s.  
 Compensated temperature range: -10 ... +40°C  
 Output: on M12 5/8/12 pin connectors  
 Platform size: 400 x 400 mm  
 Warranty: 3 years

## Interfaces diagram, serial versions

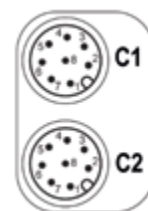
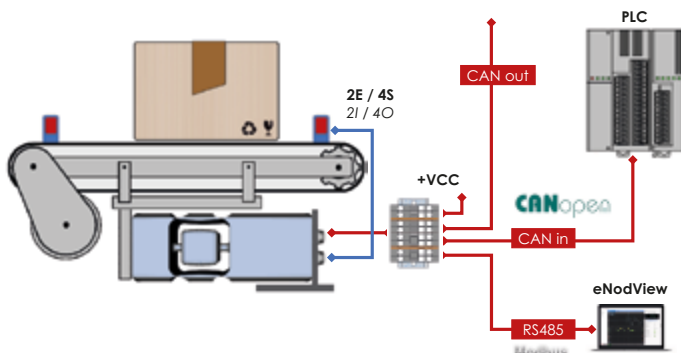
11A wiring: CAN, RS485, 1 digital Input



Pin	C1	C2
1	NC	E1 -
2	+ VCC	E1 +
3	GND	GND
4	CAN-H	TA / RA
5	CAN-L	TB / RB

▲ 2 connectors M12-5pts male

22A wiring: CAN output in Y, RS485, 2I / 4O



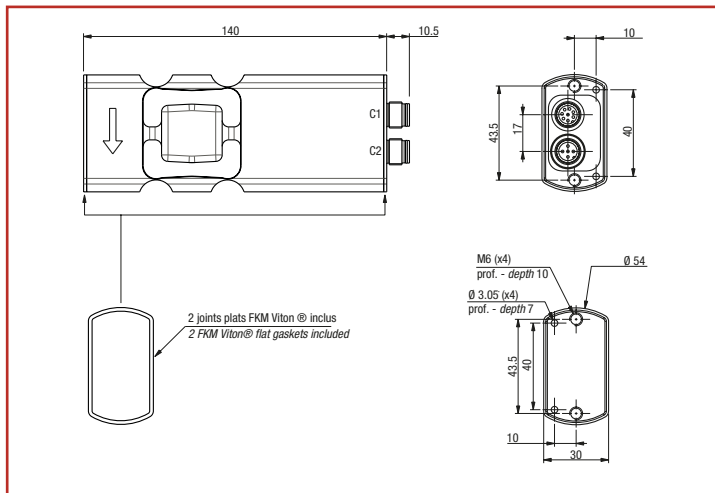
Pin	C1	C2
1	GND	E <sub>COM</sub> -
2	+ VCC	E1 +
3	CAN-H in	E2 +
4	CAN-L in	S <sub>COM</sub> +
5	CAN-H out	S1
6	CAN-L out	S2
7	TA / RA	S3
8	TB / RB	S4

▲ 2 connectors M12-8pts male

# DVS-D

15 kg ... 75 kg

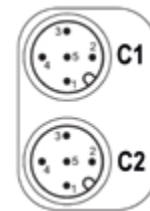
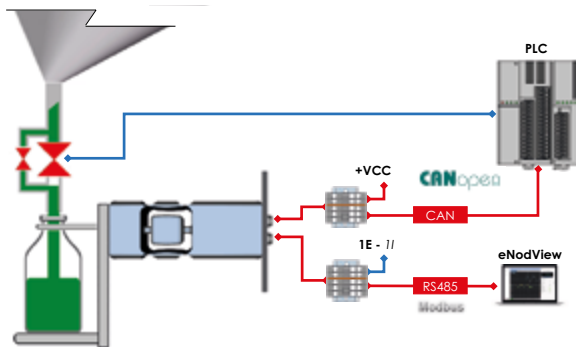
- Hygienic digital single point load cell, certified EHEDG, type EL Class I AUX.
- Stainless steel construction, sealed IP68/IP69K
- Robust construction suitable for rotary fillers
- Function: dosing by filling and unloading
- 2 digital inputs and 4 outputs
- Serial version: port RS485 Modbus and port CANOpen
- Ethernet version: EtherNet/IP, Profinet, Web server
- Certification OIML R76, R61(serial version 15kg...75kg)



Power supply: 10 ... 28 V  
Resolution for FS: 500 000 d  
Combined error:  $\pm 0.019\%$  FS  
Conversion: 24 bits, 6-1 600 meas./s.  
Compensated temperature range: -10 ... +40°C  
Output: on M12 5/8/12 pin connectors  
Platform size: 400 x 400 mm  
Warranty: 3 years

## Interfaces diagram, serial versions

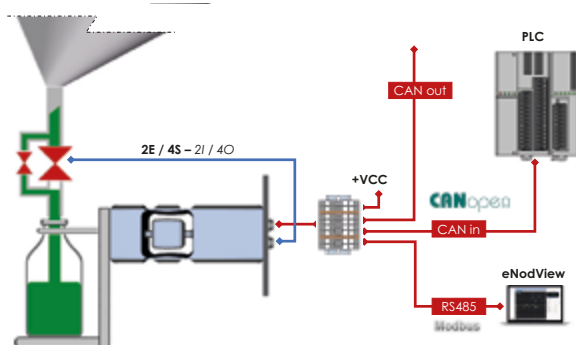
11A wiring: CAN, RS485, 1 digital Input



Pin	C1	C2
1	NC	E1 -
2	+ VCC	E1 +
3	GND	GND
4	CAN-H	TA / RA
5	CAN-L	TB / RB

▲ 2 connectors M12-5pts male

22A wiring: CAN output in Y, RS485, 2I / 4O

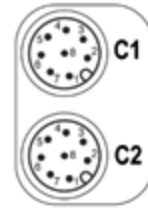
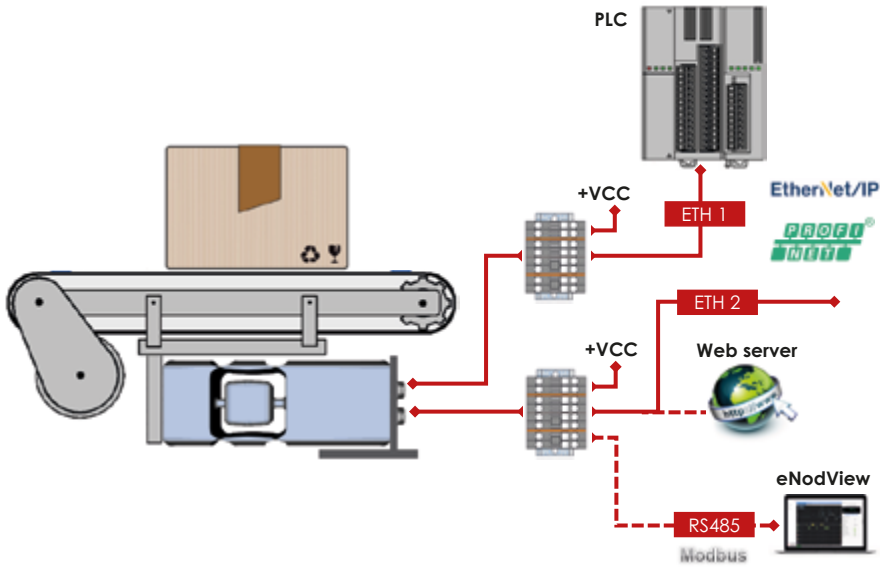


Pin	C1	C2
1	GND	E <sub>COM</sub> -
2	+ VCC	E1 +
3	CAN-H in	E2 +
4	CAN-L in	S <sub>COM</sub> +
5	CAN-H out	S1
6	CAN-L out	S2
7	TA / RA	S3
8	TB / RB	S4

▲ 2 connectors M12-8pts male

# Interfaces diagram, Ethernet versions

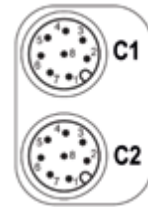
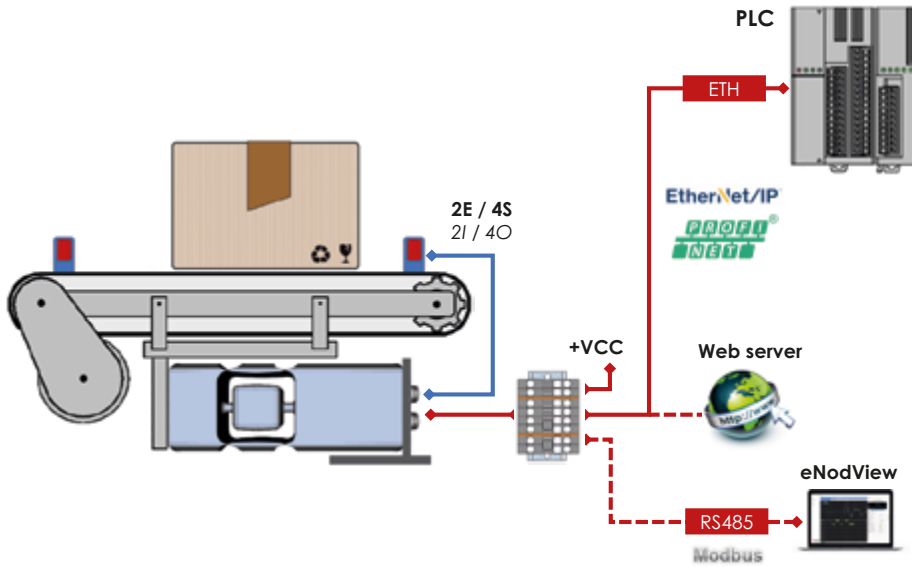
22B wiring: dual-Ethernet & switch, RS485



Pin	C1	C2
1	GND	GND
2	+VCC	+VCC
3	TA / RA	TA / RA
4	TB / RB	TB / RB
5	RXP2	RXP1
6	RXN2	RXN1
7	TXP2	TXP1
8	TXN2	TXN1

▲ 2 connectors M12-8pts male

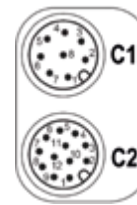
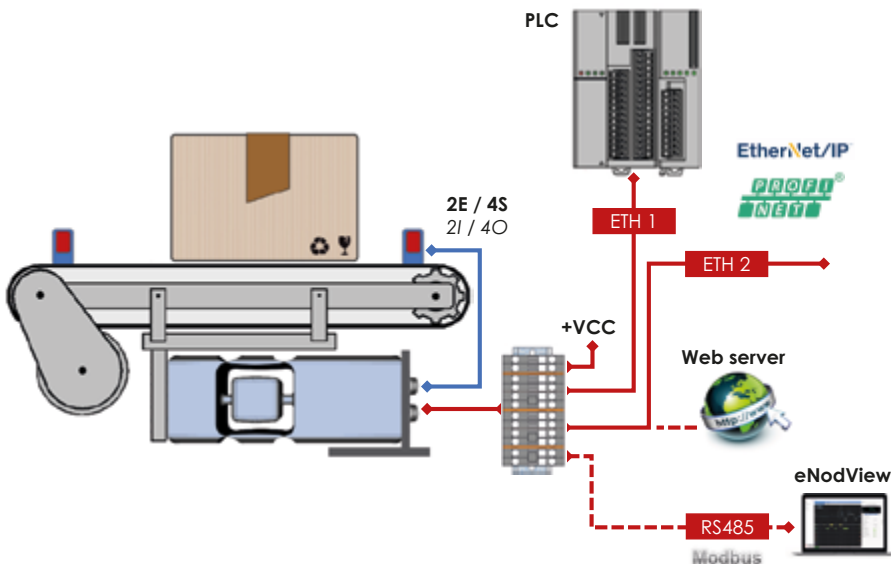
22C wiring: Single-Ethernet, RS485, 2I / 4O



Pin	C1	C2
1	E <sub>COM</sub> -	GND
2	E1 +	+VCC
3	E2 +	TA / RA
4	S <sub>COM</sub> +	TB / RB
5	S1	RXP1
6	S2	RXN1
7	S3	TXP1
8	S4	TXN1

▲ 2 connectors M12-8pts male

32B wiring: dual-Ethernet & switch, RS485, 2I / 4O



Pin	C1	C2
1	E <sub>COM</sub> -	GND
2	E1 +	+VCC
3	E2 +	TA / RA
4	S <sub>COM</sub> +	TB / RB
5	S1	RXP1
6	S2	RXN1
7	S3	TXP1
8	S4	TXN1
9		RXP2
10		RXN2
11		TXP2
12		TXN2

▲ 1 M12-12 pts male, 1 M12-8pts male







# Load cells & Accessories

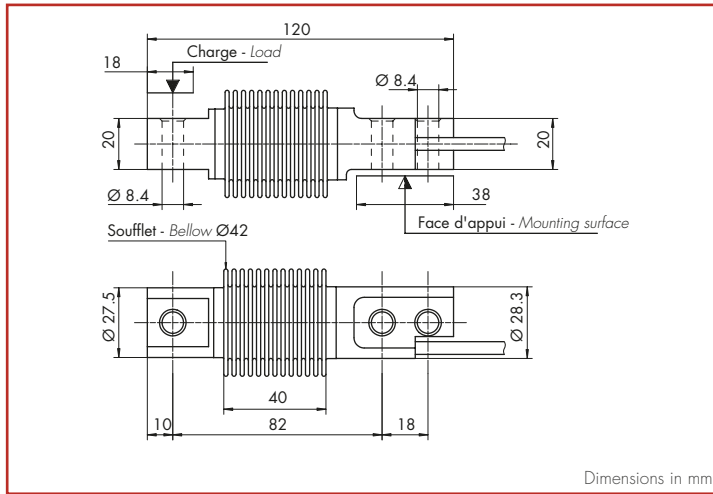
Bending Beam load cells...

# F60X-5

5 kg



- Stainless steel construction hermetically sealed to IP68
- 3 000 d OIML approved
- Ideally suited for any industrial weighing application where a high accuracy is needed
- Optimized alignment as an option



Dimensions in mm

+ Excit.: Red | + Sign.: Black | - Sign.: Blue | - Excit.: White



Signal at FS: 2 mV/V ±0.1 %  
 Combined error: ±0.017 %FS  
 Impedance (in/out): 385 Ω ±20 / 350 Ω ±5  
 Compensated temperature range: -10 ... +40°C  
 Overload limit: 150 %Emax (max.: 200 %)  
 Cable/length: 4 shielded wires / 3 m  
 Warranty: 3 years

Replaces: HBM Z6, TH 355, RT SHB, SCAIME F30X/F60T, Télémécanique SM3PX, MT MTB, PRECIA FA3000i, Master K FLX, Flintec SB8

P/N	Designation	Cn	V <sub>min.</sub>	DC
402507	LOAD CELL F60X5 C1.5 CH 3e3 TR	5 kg	1.5 g	R1
	<b>Options:</b>			
850272	"SI" TEST FOR LOAD CELLS ATEX & IECEx - Ⓢ II 1 G/D, Ex ia IIC T6 Ga, Ex ia IIIC T80°C Da, IP6X, -20°C < Ta < +60°C (zone 0/20)			R2
850273	"n" TEST FOR LOAD CELLS ATEX & IECEx - Ⓢ II 3 G, Ex nA IIC T6 Gc, -20°C < Ta < +60°C (zone 2)			R2
850274	"DUST" MARKING FOR LOAD CELL ATEX & IECEx - Ⓢ II 1 D, Ex ia IIIC T1 25°C Da, IP6X, -20°C < Ta < +60°C (zones 20)			R2
850278	MARKING "FM" FOR LOAD CELLS CERTIFIED TO FM HAZLOC I.S., CL I, II, III / DIV 1 / GP ABCDEFG; I.N.I., CL I, II, III / DIV 2 / GP ABCDEFG; NIFW			R2

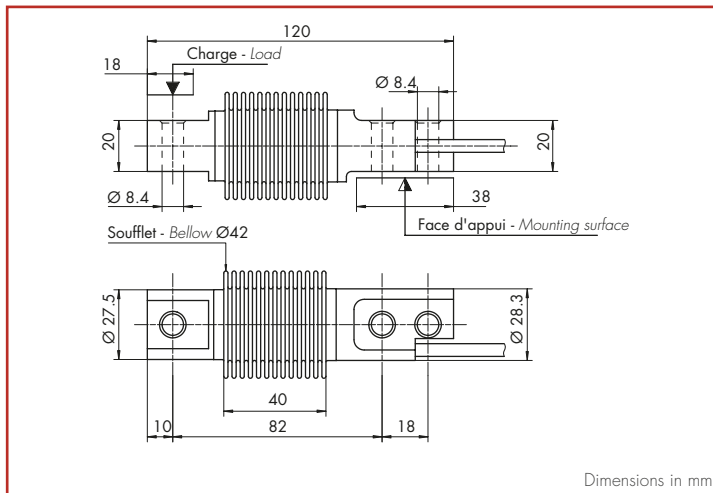
FS: rated capacity / v min = minimal interval (according to cert. OIML R601) / C.E. = Combined error in % of Cn / DC = Code put back

# F60X-6W C6

10 kg ... 500 kg



- Stainless steel construction hermetically sealed to IP68/ IP69K
- Up to 6 000 d OIML approved
- Ideally suited for any industrial weighing application where a high accuracy is needed
- Optimized alignment as an option



Signal at FS: 2 mV/V  $\pm 0.1\%$   
 Combined error:  $\pm 0.008\%$  FS  
 Impedance (in/out): 385  $\Omega \pm 20$  / 350  $\Omega \pm 5$   
 Compensated temperature range: -10 ... +40°C  
 Overload limit: 150 % Emax (max.: 200 %)  
 Cable/length: 6 shielded wires / 3 m  
 Warranty: 3 years

+ Excit.: Blue | + Sign.: White | - Sign.: Red | - Excit.: Black | + Sense: Green | - Sense: Grey

Replaces: HBM Z6, TH 355, RT SHB, SCAIME F30X/F60T, Télémécanique SM3PX, MT MTB, PRECIA FA3000i, Master K FLX, Flintec SB8

P/N	Designation	Cn	V <sub>min.</sub>	DC
<b>Approved versions OIML C6, Y = 10 000</b>				
402589	LOAD CELL F60X10 C6 CH 10e 6-W TR (6-wire)	10 kg	1 g	R1
402590	LOAD CELL F60X20 C6 CH 10e 6-W TR (6-wire)	20 kg	2 g	R1
402591	LOAD CELL F60X50 C6 CH 10e 6-W TR (6-wire)	50 kg	5 g	R1
402592	LOAD CELL F60X100 C6 CH 10e 6-W TR (6-wire)	100 kg	10 g	R1
402593	LOAD CELL F60X200 C6 CH 10e 6-W TR (6-wire)	200 kg	20 g	R1
402594	LOAD CELL F60X300 C6 CH 10e 6-W TR (6-wire)	300 kg	30 g	R1
402595	LOAD CELL F60X500 C6 CH 10e 6-W TR (6-wire)	500 kg	50 g	R1
<b>Options:</b>				
850320	Optional 2mV/V $\pm 0.06\%$ signal alignment for F60X			R1
850272	"SI" TEST FOR LOAD CELLS ATEX & IECEx - Ⓢ II 1 G/D, Ex ia IIC T6 Ga, Ex ia IIIC T80°C Da, IP6X, -20°C < Ta < +60°C (zone 0/20)			R2
850273	"n" TEST FOR LOAD CELLS ATEX & IECEx - Ⓢ II 3 G, Ex nA IIC T6 Gc, -20°C < Ta < +60°C (zone 2)			R2
850274	"DUST" MARKING FOR LOAD CELL ATEX & IECEx - Ⓢ II 1 D, Ex ia IIIC T125°C Da, IP6X, -20°C < Ta < +60°C (zones 20)			R2
850278	MARKING "FM" FOR LOAD CELLS CERTIFIED TO FM HAZLOC I.S., CL I, II, III / DIV 1 / GP ABCDEFG; N.I., CL I, II, III / DIV 2 / GP ABCDEFG; NIFW			R2
<b>Related products:</b>				
	MTPFA			
	PIEDS LFC 500 & LFD 500			
	RUBBERKIT FX			
	STABIFLEX F & FX			

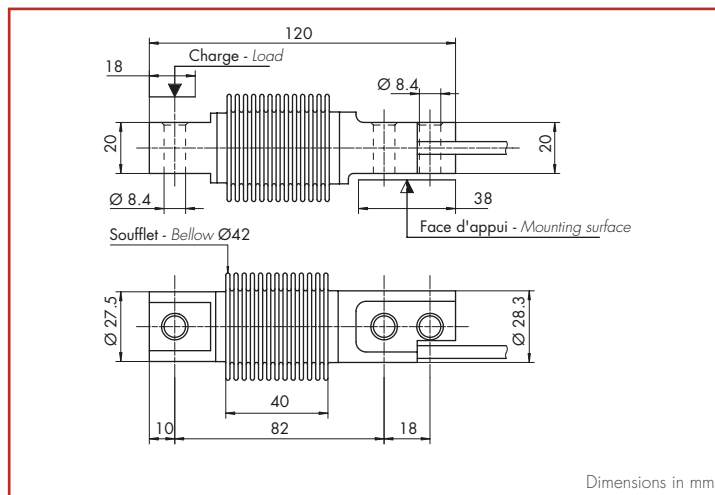
FS: rated capacity / v<sub>min</sub> = minimal interval (according to cert. OIML R601) / C.E. = Combined error in % of Cn / DC = Code print back

# F60X-6W C3

10 kg ... 500 kg



- Stainless steel construction hermetically sealed to IP68/ IP69K
- Up to 3 000 d OIML approved
- Ideally suited for any industrial weighing application where a high accuracy is needed
- Optimized alignment as an option
- 6 000 d OIML version: see F60X-6W C6



+ Excit.: Blue | + Sign.: White | - Sign.: Red | - Excit.: Black | + Sense: Green | - Sense: Grey



Signal at FS: 2 mV/V ±0.1 %  
 Combined error: ±0.017 %FS  
 Impedance (in/out): 385 Ω ±20 / 350 Ω ±5  
 Compensated temperature range: -10 ... +40°C  
 Overload limit: 150 %Emax (max.: 200 %)  
 Cable/length: 6 shielded wires / 3 m  
 Warranty: 3 years

Replaces: HBM Z6, TH 355, RT SHB, SCAIME F30X/F60T, Télémécanique SM3PX, MT MTB, PRECIA FA3000i, Master K FLX, Flintec SB8

P/N	Designation	Cn	V <sub>min.</sub>	DC
<b>Approved versions OIML C3, Y = 10 000</b>				
402567	LOAD CELL F60X10 C3 CH 10e 6-W TR (6-wire)	10 kg	1 g	R1
402568	LOAD CELL F60X20 C3 CH 10e 6-W TR (6-wire)	20 kg	2 g	R1
402569	LOAD CELL F60X50 C3 CH 10e 6-W TR (6-wire)	50 kg	5 g	R1
402570	LOAD CELL F60X100 C3 CH 10e 6-W TR (6-wire)	100 kg	10 g	R1
402571	LOAD CELL F60X200 C3 CH 10e 6-W TR (6-wire)	200 kg	20 g	R1
402572	LOAD CELL F60X300 C3 CH 10e 6-W TR (6-wire)	300 kg	30 g	R1
402573	LOAD CELL F60X500 C3 CH 10e 6-W TR (6-wire)	500 kg	50 g	R1
<b>Options:</b>				
850320	Optional 2mV/V ± 0.06% signal alignment for F60X			R1
850272	"SI" TEST FOR LOAD CELLS ATEX & IECEx - Ⓢ II 1 G/D, Ex ia IIC T6 Ga, Ex ia IIIC T80°C Da, IP6X, -20°C < Ta < +60°C (zone 0/20)			R2
850273	"n" TEST FOR LOAD CELLS ATEX & IECEx - Ⓢ II 3 G, Ex nA IIC T6 Gc, -20°C < Ta < +60°C (zone 2)			R2
850274	"DUST" MARKING FOR LOAD CELL ATEX & IECEx - Ⓢ II 1 D, Ex Ia IIIC T125°C Da, IP6X, -20°C < Ta < +60°C (zones 20)			R2
850278	MARKING "FM" FOR LOAD CELLS CERTIFIED TO FM HAZLOC I.S., CL I, II, III / DIV 1 / GP ABCDEFG; N.I., CL I, II, III / DIV 2 / GP ABCDEFG; NIFW			R2
<b>Related products:</b>				
	MTPFA			
	LOAD FOOT LFC 500 & LFD 500			
	RUBBERKIT FX			
	STABIFLEX F & FX			

FS: rated capacity / v<sub>min</sub> = minimal interval (according to cert. OIML R601) / C.E. = Combined error in % of Cn / DC = Code put back















# Load cells & Accessories

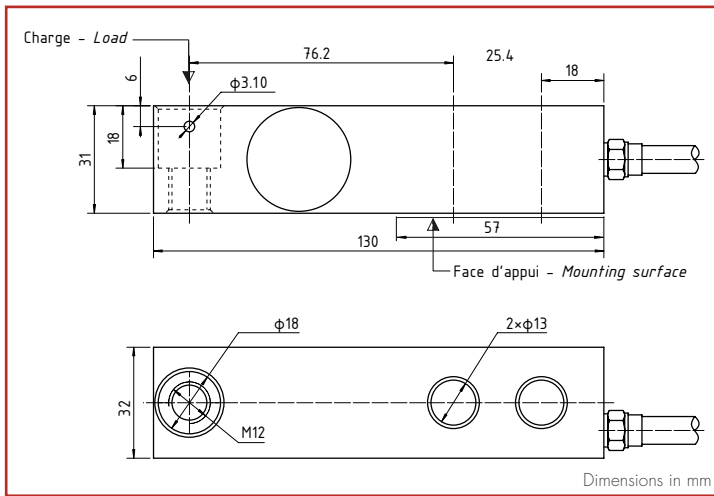
Shear Beam load cells...

# SK10A 2T

500 kg ... 2 t



- Nickel plated construction
- Combined error 0.02 % of full scale
- Ideal for industrial weighing and load control applications
- IP67 protection level



+ Excit.: Red | + Sign.: Green | - Sign.: White | - Excit.: Black

Signal at FS: 2mV/V ±0.25 %  
 Combined error: ±0.02 %FS  
 Impedance (In/Out): 385 Ω ±10 / 350 Ω ±5  
 Compensated temperature range: -10 ... +40°C  
 Overload limit: 150 %E<sub>max</sub> (max: 200 %)  
 Cable/Length: 4 shielded wire / 6 m  
 Warranty: 1 year

P/N	Designation	Cn	C.E.	DC
799350	LOAD CELL SK10A 500kg	500 kg	< ± 0.02 %	R1
799351	LOAD CELL SK10A 1000kg	1 000 kg	< ± 0.02 %	R1
799352	LOAD CELL SK10A 2000kg	2 000 kg	< ± 0.02 %	R1
850397	Option: OPTIONAL HIGH RESISTANCE PAINTING			R1
	Related products: LOAD FOOT LFA & LFC 2t ISOFLEX-S 2t STABIFLEX-SK 2t QUICKFITS 2t			

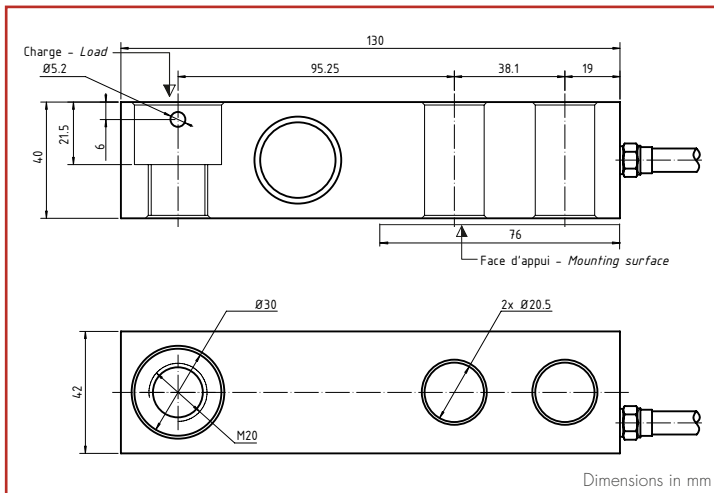
FS: rated capacity / v min = minimal interval (according to cert. OIML R601) / C.E. = Combined error in % of Cn / DC = Code print back

# SK10A 5T

5 t



- Nickel plated construction
- Combined error 0.02 % of full scale
- Ideal for industrial weighing and load control applications
- IP67 protection level



+ Excit.: Red | + Sign.: Green | - Sign.: White | - Excit.: Black

Signal at FS: 2mV/V ±0.25 %  
 Combined error: ±0.02 %FS  
 Impedance (In/Out): 385 Ω ±10 / 350 Ω ±5  
 Compensated temperature range: -10 ... +40°C  
 Overload limit: 150 %Emax (max: 200 %)  
 Cable/Length: 4 shielded wire / 6 m  
 Warranty: 1 year

P/N	Designation	Cn	C.E.	DC
799353	LOAD CELL SK10A 5000kg	5 000 kg	< ± 0.02 %	R1
850397	Option: OPTIONAL HIGH RESISTANCE PAINTING			R1
	Related products: LOAD FOOT LFA & LFC 2t ISOFLEX-S 2t STABIFLEX-SK 2t QUICKFITS 2t			

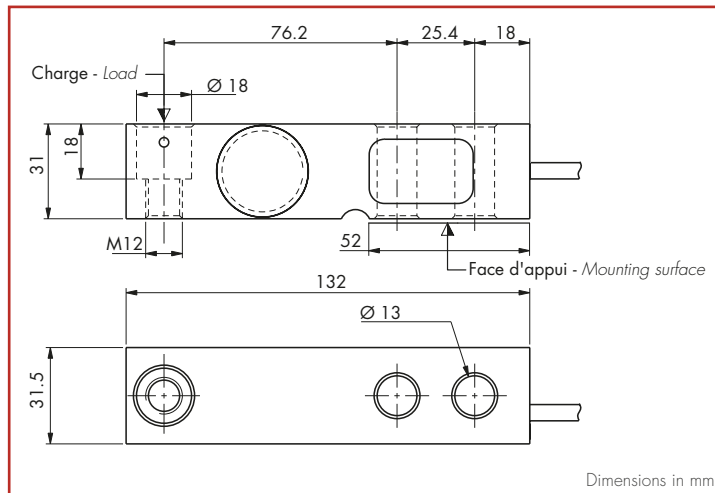
FS: rated capacity / v min = minimal interval (according to cert. OIML R601) / C.E. = Combined error in % of Cn / DC = Code put back

# SK30A 2T

500 kg ... 2 t



- Stainless steel construction, IP67 protection
- 3 000 d OIML R60 approved
- Current calibrated signal output for multi-load cells mounting
- Ideally suited for platform scales



Signal at FS: 2 mV/V  
 Combined error:  $\pm 0.017\%$  FS  
 Impedance (in/out):  $385\ \Omega \pm 20 / 350\ \Omega \pm 5$   
 Compensated temperature range:  $-10 \dots +40^\circ\text{C}$   
 Overload limit: 150 % Emax (max.: 200 %)  
 Cable/length: 6 shielded wires / 5 m  
 Warranty: 1 year

+ Excit.: Brown | + Sign.: Yellow | - Sign.: White | - Excit.: Green | + Sense: Grey | - Sense: Pink

Replaces: Sensortronics 65023, TH 3410, RT HCB, HBM HLC BLC ELC, Flintec SB14, MT 0745

P/N	Designation	Cn	v <sub>min.</sub>	DC
<b>Approved versions OIML C3, Y = 10 000</b>				
430544	LOAD CELL SK30A 500 C3 SH 10e TR	500 kg	50 g	R1
430545	LOAD CELL SK30A 1 000 C3 SH 10e TR	1 000 kg	100 g	R1
430546	LOAD CELL SK30A 2 000 C3 SH 10e TR	2 000 kg	200 g	R1
<b>Options:</b>				
850397	OPTIONAL HIGH RESISTANCE PAINTING			R1
850272	"SI" TEST FOR LOAD CELLS ATEX & IECEx - Ⓢ II 1 G/D, Ex ia IIC T6 Ga, Ex ia IIIC T80°C Da, IP6X, -20°C < Ta < +60°C [zone 0/20]			R2
850273	"n" TEST FOR LOAD CELLS ATEX & IECEx - Ⓢ II 3 G, Ex nA IIC T6 Gc, -20°C < Ta < +60°C [zone 2]			R2
850274	"DUST" MARKING FOR LOAD CELL ATEX & IECEx - Ⓢ II 1 D, Ex ia IIC T125°C Da, IP6X, -20°C < Ta < +60°C [zones 20]			R2
<b>Related products:</b>				
	LOAD FOOT LFA & LFC 2t			
	ISOFLEX-S 2t			
	STABIFLEX-SK 2t			
	QUICKFITS 2t			

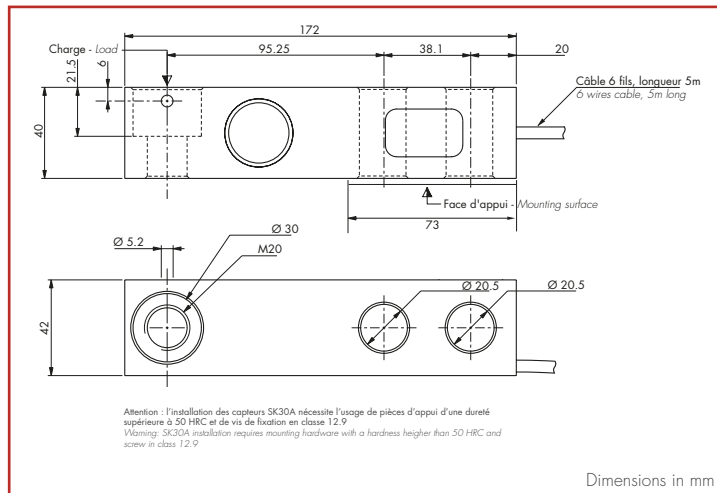
FS: rated capacity / v min = minimal interval [according to cert. OIML R60] / C.E. = Combined error in % of Cn / DC = Code put back

# SK30A 5T

5t



- Stainless steel construction, IP67 protection
- 3 000 d OIML R60 approved
- Current calibrated signal output for multi-load cells mounting
- Ideally suited for industrial scales construction and tank, hing



Signal at FS: 2 mV/V  
 Combined error: ±0.017 %FS  
 Impedance (in/out): 385 Ω ±20 / 350 Ω ±5  
 Compensated temperature range: -10 ... +40°C  
 Overload limit: 150 %Emax (max.: 200 %)  
 Cable/length: 6 shielded wires / 5 m  
 Warranty: 1 year

+ Excit.: Brown | + Sign.: Yellow | - Sign.: White | - Excit.: Green | + Sense: Grey | - Sense: Pink

Replaces: Sontronics 65023, TH 3410, RT HCB, HBM HLC BLC ELC, Flintec SB14, MT 0745

P/N	Designation	Cn	v <sub>min.</sub>	DC
<b>Approved versions OIML C3, Y = 10 000</b>				
430599	LOAD CELL SK30A 5000 C3 CH 10e TR	5 000 kg	500 g	R1
<b>Options:</b>				
850397	OPTIONAL HIGH RESISTANCE PAINTING			R1
850272	"SI" TEST FOR LOAD CELLS ATEX & IECEx - Ⓢ II 1 G/D, Ex ia IIC T6 Ga, Ex ia IIIC T80°C Da, IP6X, -20°C < Ta < +60°C (zone 0/20)			R2
850273	"n" TEST FOR LOAD CELLS ATEX & IECEx - Ⓢ II 3 G, Ex nA IIC T6 Gc, -20°C < Ta < +60°C (zone 2)			R2
850274	"DUST" MARKING FOR LOAD CELL ATEX & IECEx - Ⓢ II 1 D, Ex ia IIIC T125°C Da, IP6X, -20°C < Ta < +60°C (zones 20)			R2
<b>Related products:</b>				
	LOAD FOOT LFA & LFC 5t			
	ISOFLEX-S 5t			
	STABIFLEX-SK 5t			
	QUICKFITS 2t			

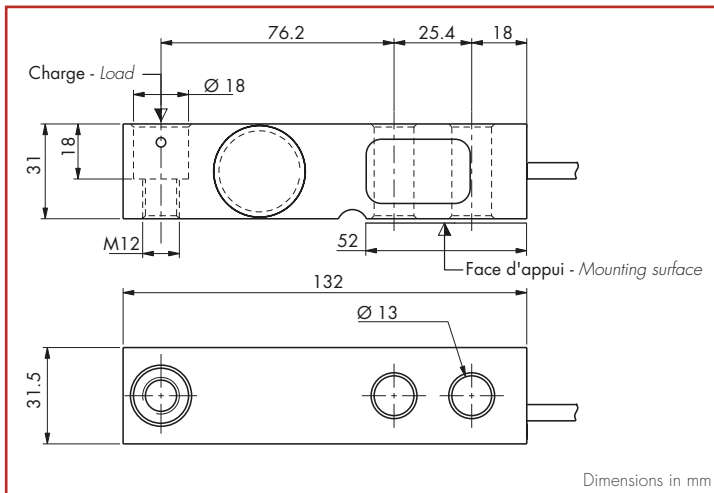
FS: rated capacity / v min = minimal interval (according to cert. OIML R60) / C.E. = Combined error in % of Cn / DC = Code put back

# SK30X 2T

300 kg ... 2 t



- Stainless steel construction, hermetically welded to IP68/ IP69K
- 6 000 d OIML R60 and 5 000 d NTEP approved
- Current calibrated signal output, for multi-load cells mounting
- Ideally suited for platform scales



Dimensions in mm

+ Excit.: Brown | + Sign.: Yellow | - Sign.: White | - Excit.: Green | + Sense: Grey | - Sense: Pink



Signal at FS: 2 mV/V  
 Combined error:  $\pm 0.017\%$  FS (C6:  $\pm 0.008$ )  
 Impedance (in/out):  $385\ \Omega \pm 20 / 350\ \Omega \pm 5$   
 Compensated temperature range:  $-10 \dots +40^\circ\text{C}$   
 Overload limit: 150 % Emax (max.: 200 %)  
 Cable/length: 6 shielded wires / 5 m  
 Warranty: 3 years

Replaces: TH 3510, Sensortronics 65083, HBM HLC, Flintec SB14, RT HCB, MT 0745

P/N	Designation	Cn	v <sub>min.</sub>	DC
<b>Approved versions OIML C3, Y = 10 000</b>				
430461	LOAD CELL SK30X 300 C3 CH 12e TR	300 kg	25 g	R1
430462	LOAD CELL SK30X 500 C3 CH 10e TR	500 kg	50 g	R1
430463	LOAD CELL SK30X 1 000 C3 CH 10e TR	1 000 kg	100 g	R1
430464	LOAD CELL SK30X 2 000 C3 CH 10e TR	2 000 kg	200 g	R1
<b>Approved versions OIML C6, Y = 15 000</b>				
430472	LOAD CELL SK30X 500 C6 CH 15e TR	500 kg	33.3 g	R1
430473	LOAD CELL SK30X 1 000 C6 CH 15e TR	1 000 kg	66.6 g	R1
430474	LOAD CELL SK30X 2 000 C6 CH 15e TR	2 000 kg	133.3 g	R1
<b>Options:</b>				
850397	OPTIONAL HIGH CORROSION RESISTANCE PAINTING			R1
850322	SIGNAL PAIRING BY 0.5 % FOR SINGLE POINT LOAD CELLS (subject to stock availability of standard products)			R1
850272	"SI" TEST FOR LOAD CELLS ATEX & IECEx - II 1 G/D, Ex ia IIC T6 Ga, Ex ia IIIC T80°C Da, IP6X, -20°C < Ta < +60°C (zone 0/20)			R2
850273	"n" TEST FOR LOAD CELLS ATEX & IECEx - II 3 G, Ex nA IIC T6 Gc, -20°C < Ta < +60°C (zone 2)			R2
850274	"DUST" MARKING FOR LOAD CELL ATEX & IECEx - II 1 D, Ex Ia IIIC T125°C Da, IP6X, -20°C < Ta < +60°C (zones 20)			R2
<b>Related products:</b>				
	LOAD FOOT LFA 2t			
	ISOFLEX-S 2t			
	STABIFLEX-SK & SKX 2t			
	QUICKFITS 2t			

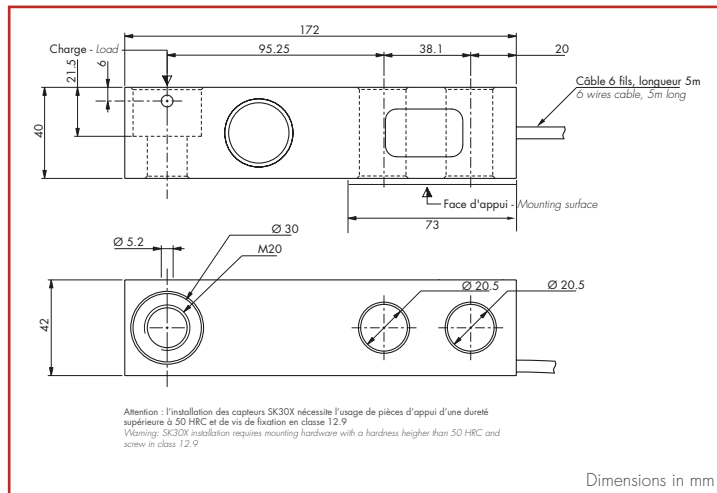
FS: rated capacity / v<sub>min.</sub> = minimal interval (according to cert. OIML R60) / C.E. = Combined error in % of Cn / DC = Code print back

# SK30X 5T

3 t ... 5 t



- Stainless steel construction, hermetically welded to IP68/ IP69K
- 4 000 d OIML R60 approved
- Current calibrated signal output, for multi-load cells mounting
- Ideally suited for platform scales



Signal at FS: 2 mV/V  
 Combined error: ±0.017 %FS  
 Impedance (in/out): 385 Ω ±20 / 350 Ω ±5  
 Compensated temperature range: -10 ... +40°C  
 Overload limit: 150 %E<sub>max</sub> (max.: 200 %)  
 Cable/length: 6 shielded wires / 5 m  
 Warranty: 3 years

+ Excit.: Brown | + Sign.: Yellow | - Sign.: White | - Excit.: Green | + Sense: Grey | - Sense: Pink

Replaces: TH 3510, Sensortronics 65083, HBM HLC, Flintec SB14, RT HCB, MT 0745

P/N	Designation	C <sub>n</sub>	v <sub>min.</sub>	DC
<b>Approved versions OIML C3, Y = 10 000</b>				
430534	LOAD CELL SK30X 3 000 C3 CH 10e TR	3 000 kg	300 g	R1
430535	LOAD CELL SK30X 5 000 C3 CH 10e TR	5 000 kg	500 g	R1
<b>Options:</b>				
850397	OPTIONAL HIGH CORROSION RESISTANCE PAINTING			R1
850272	"SI" TEST FOR LOAD CELLS ATEX & IECEx - Ⓢ II 1 G/D, Ex ia IIC T6 Ga, Ex ia IIIC T80°C Da, IP6X, -20°C < Ta < +60°C [zone 0/20]			R2
850273	"n" TEST FOR LOAD CELLS ATEX & IECEx - Ⓢ II 3 G, Ex nA IIC T6 Gc, -20°C < Ta < +60°C [zone 2]			R2
850274	"DUST" MARKING FOR LOAD CELL ATEX & IECEx - Ⓢ II 1 D, Ex ia IIIC T125°C Da, IP6X, -20°C < Ta < +60°C [zones 20]			R2
850278	MARKING "FM" FOR LOAD CELLS CERTIFIED TO FM HAZLOC I.S., CL I, II, III / DIV 1 / GP ABCDEFG, N.I., CL I, II, III / DIV 2 / GP ABCDEFG, NIFW			R2
<b>Related products:</b>				
	LOAD FOOT LFC & LFA 5t			
	ISOFLEX-S 5t			
	STABIFLEX-SK & SKX 5 t			
	QUICKFITS 5t			

FS: rated capacity / v<sub>min</sub> = minimal interval [according to cert. OIML R60] / C.E. = Combined error in % of C<sub>n</sub> / DC = Code put back









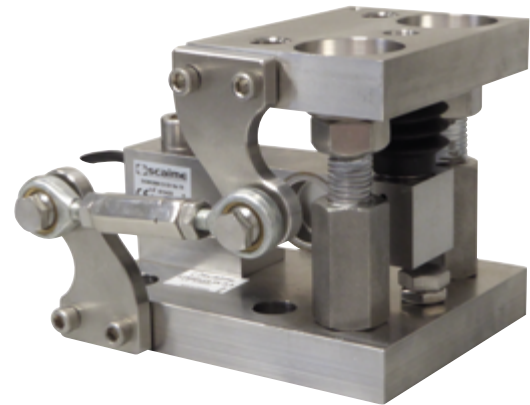


# STABIFLEX-SK EVO

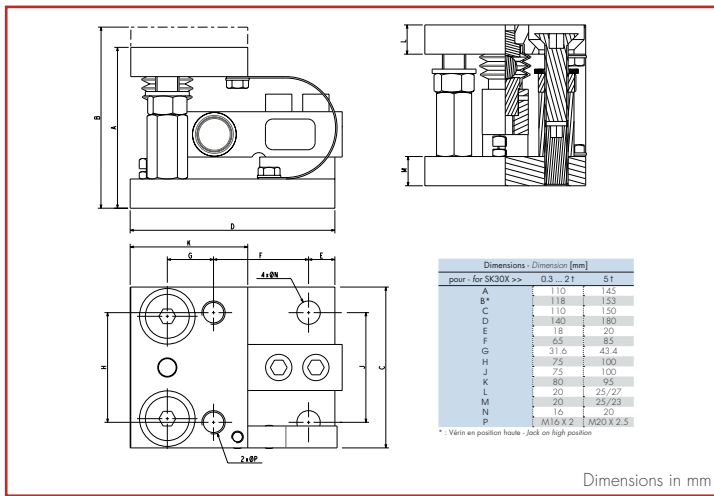
300 kg ... 5 t



- Designed for tank or hopper weighing
- Zinc plated steel or stainless steel construction
- Cross stoppers and lift off prevention included
- Ball-and-cup design for accurate weighing
- Integrated jacking bolts
- Optional stay rod to maintain the structure in dynamic application



Load cell and stay rod sold separately



For load cell: SK30X, SK10A and SK30A

Replace: SCAIME STABIFLEX-F (for load cells F60X 0.5 t ... 5 t)

P/N	Designation	Cn	v <sub>min.</sub>	DC
<b>ZINC PLATED version</b>				
803867	STABIFLEX-SK 2t EVO (compression kit with ball/cups for SK30X 300...2 000kg, zinc plated)			R2
803878	STABIFLEX-SK 2t EVO + 1 STABILIZER (with stabilizer mounted in factory)			R2
<b>INOX version</b>				
803868	STABIFLEX-SK 2t X EVO (compression kit with ball/cups for SK30X 300...2 000kg, stainless steel)			R2
803879	STABIFLEX-SK 2t X EVO + 1 STABILIZER (with stabilizer mounted in factory)			R2
803870	STABIFLEX-SK 5t X EVO (compression kit with ball/cups for SK30X 3t...5t, stainless steel)			R2
803881	STABIFLEX-SK 5t X EVO + 1 STABILIZER (with stabilizer mounted in factory)			R2
<b>Options:</b>				
803859	STAINLESS STEEL STABILIZER FOR STABIFLEX 2t			R2
803860	STAINLESS STEEL STABILIZER FOR STABIFLEX 5t			R2
803893	LOAD CELL MOUNTING AND MECHANICAL STOP SETTING FOR STABIFLEX 2t			R2
803894	LOAD CELL MOUNTING AND MECHANICAL STOP SETTING FOR STABIFLEX 5t			R2

FS: rated capacity / v<sub>min.</sub> = minimal interval (according to cert. OIML R601) / C.E. = Combined error in % of Cn / DC = Code put back



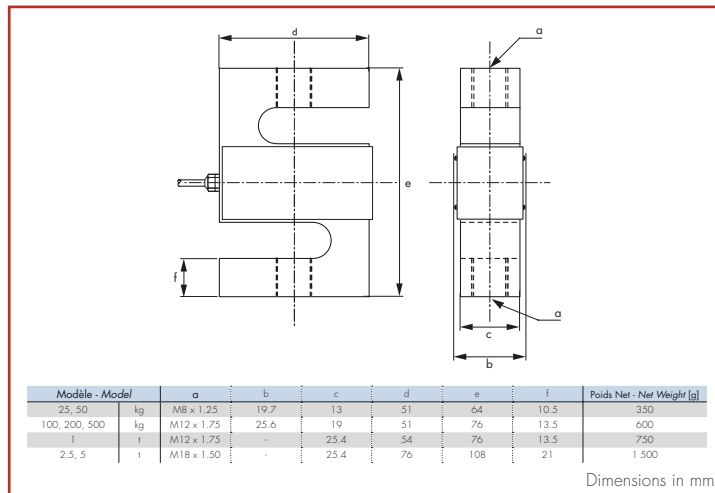


# Load cells & Accessories

Tension load cells...



- Nickel plated steel construction
- Dedicated to tension, compression or tension/compression weighing or force applications
- Protection level IP67



Signal at FS: 3 mV/V  $\pm 0.5\%$   
 Combined error:  $\pm 0.03\%$  FS  
 Impedance (in/out):  $385\ \Omega \pm 10 / 350\ \Omega \pm 5$   
 Compensated temperature range:  $-10 \dots +50^\circ\text{C}$   
 Overload limit: 120 % Emax (max.: 150 %)  
 Cable/length: 4 shielded wires / 5 m  
 Warranty: 1 year

S-Type: + Excit.: Red | + Sign.: Green | - Sign.: White | - Excit.: Black

Compression: + Excit.: Red | + Sign.: White | - Sign.: Green | - Excit.: Black

P/N	Designation	Cn	C.E.	DC
799300	LOAD CELL ZFA 25 kg	25 kg	< $\pm 0.03\%$	R1
799301	LOAD CELL ZFA 50 kg	50 kg	< $\pm 0.03\%$	R1
799302	LOAD CELL ZFA 100 kg	100 kg	< $\pm 0.03\%$	R1
799303	LOAD CELL ZFA 200 kg	200 kg	< $\pm 0.03\%$	R1
799304	LOAD CELL ZFA 500 kg	500 kg	< $\pm 0.03\%$	R1
799305	LOAD CELL ZFA 1 t	1 000 kg	< $\pm 0.03\%$	R1
799306	LOAD CELL ZFA 2.5 t	2 500 kg	< $\pm 0.03\%$	R1
799307	LOAD CELL ZFA 5 t	5 000 kg	< $\pm 0.03\%$	R1
	<b>Related product:</b>			
	ZFA ROD END			

FS: rated capacity / v min = minimal interval (according to cert. OIML R601) / C.E. = Combined error in % of Cn / DC = Code print back

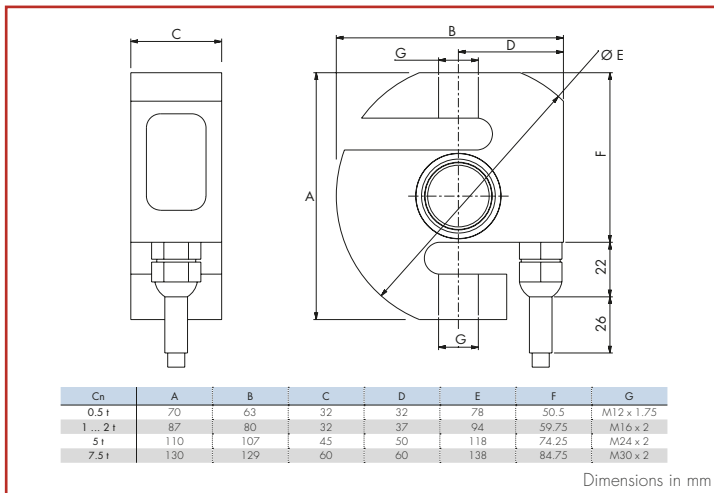


# ZA30X

500 kg ... 7.5 t



- Stainless steel construction, hermetically welded to IP68
- 3 000 d OIML approved
- Dedicated to tension or compression weighing and force applications
- Current calibrated signal output, for multi-load cells mounting
- Ideally suited for hanging hopper weighing



Signal at FS: 2 mV/V  
 Combined error:  $\pm 0.017\%$  FS  
 Impedance (in/out):  $385 \Omega \pm 10 / 350 \Omega \pm 5$   
 Compensated temperature range:  $-10 \dots +40^\circ\text{C}$   
 Overload limit: 150 %E<sub>max</sub> (max.: 300 %)  
 Cable/length: 6 shielded wires / 10 m  
 Warranty: 3 years

+ Excit.: Brown | + Sign.: Yellow | - Sign.: White | - Excit.: Green | + Sense: Grey | - Sense: Pink

P/N	Designation	Cn	v <sub>min.</sub>	DC
430612	LOAD CELL ZA30X 0.5t C3 CH 10e	500 kg	50 g	R1
430613	LOAD CELL ZA30X 1t C3 CH 10e	1 t	100 g	R1
430614	LOAD CELL ZA30X 2t C3 CH 10e	2 t	200 g	R1
430617	LOAD CELL ZA30X 5t C3 CH 10e	5 t	500 g	R1
430616	LOAD CELL ZA30X 7.5t C3 CH 10e	7.5 t	750 g	R1
<b>Options:</b>				
850397	OPTIONAL HIGH CORROSION RESISTANCE PAINTING			R1
850272	"SI" TEST FOR LOAD CELLS ATEX & IECEx - Ⓢ II 1 G/D, Ex ia IIC T6 Ga, Ex ia IIIC T80°C Da, IP6X, -20°C < Ta < +60°C (zone 0/20)			R2
850273	"n" TEST FOR LOAD CELLS ATEX & IECEx - Ⓢ II 3 G, Ex nA IIC T6 Gc, -20°C < Ta < +60°C (zone 2)			R2
850274	"DUST" MARKING FOR LOAD CELL ATEX & IECEx - Ⓢ II 1 D, Ex ia IIIC T125°C Da, IP6X, -20°C < Ta < +60°C (zones 20)			R2
850278	MARKING "FM" FOR LOAD CELLS CERTIFIED TO FM HAZLOC I.S., CL I, II, III / DIV 1 / GP ABCDEFG; N.I., CL I, II, III / DIV 2 / GP ABCDEFG; NIFW			R2
<b>Related product:</b>				
	ZA30X ROD END			

FS: rated capacity / v<sub>min</sub> = minimal interval (according to cert. OIML R601) / C.E. = Combined error in % of Cn / DC = Code put back

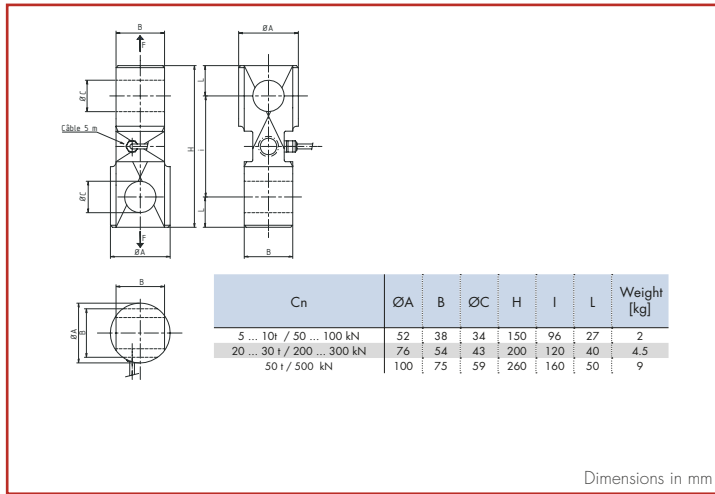


# MTRD

5 t ... 50 t



- Suitable for tension measurement of very heavy loads (with clevis pins)
- High safety coefficient
- Stainless steel, IP65



Signal at FS: 2 mV/V ± 2 %  
 Combined error: < ± 0.15 % FS  
 Impedance (in/out): 350 Ω ± 20  
 Compensated temperature range: -10 ... +50°C  
 Overload limit: 130 % Emax (max. 300 %)  
 Cable/length: 6 shielded wires / 5 m  
 Warranty: 1 year

+ Excit.: Red | + Sign.: Green | - Sign.: White | - Excit.: Black | + Sense: Blue | - Sense: Brown

P/N	Designation	Cn	C.E.	DC
720542	LOAD CELL MTRD-50 kN	5 t	< ± 0.15 %	R3
720575	LOAD CELL MTRD-100 kN	10 t	< ± 0.15 %	R3
720601	LOAD CELL MTRD-200 kN	20 t	< ± 0.15 %	R3
720602	LOAD CELL MTRD-300 kN	30 t	< ± 0.15 %	R3
720539	LOAD CELL MTRD-500 kN	50 t	< ± 0.15 %	R3
<b>Option:</b>				
Special capacities or dimensions: Contact us				
ATEX specific version - Designation : MTRD-...kN-EX				
Not compatible with the connector and analogue output option - ATEX 2014/34/EU, IECEx				
Ⓜ II 1G Ex ia IIC T6 / T5 / T4 Ga (zone 0, 1, 2)				
Ⓜ II 2D Ex ia IIIC T85 / T100 / T135 °C Db (zone 21, 22)				

FS: rated capacity / v min = minimal interval (according to cert. OIML R601) / C.E. = Combined error in % of Cn / DC = Code put back



# Load cells & Accessories

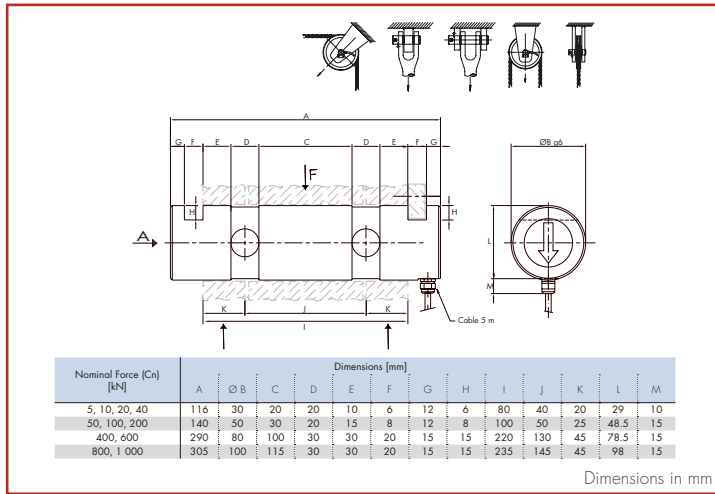
Load pins...

# M16-M16H

500 kg ... 100 t



- Force measurement and load control
- Linearity error: 0.5% (0.1% optional)
- Custom dimensions available upon request



Signal at FS: 1 mV/V ±2 %  
 Combined error: ±0.5 %FS (0.5 % in option)  
 Impedance (in/out): 700 Ω ±20 / 700 Ω ±5  
 Compensated temperature range: -10 ... +50°C  
 Overload limit: 150 %FS  
 Ultimate overload: 500 %FS  
 Cable/length: 6 shielded wires / 5 m  
 Warranty: 1 year

+ Excit.: Red | + Sign.: Green | - Sign.: White | - Excit.: Black | + Sense: Blue | - Sense: Brown

P/N	Designation	Cn	C.E.	DC
720582	LOAD CELL M16-5 kN	0.5 t	< ± 0.5 %	R3
720562	LOAD CELL M16-10 kN	1 t	< ± 0.5 %	R3
720568	LOAD CELL M16-20 kN	2 t	< ± 0.5 %	R3
720563	LOAD CELL M16-40 kN	4 t	< ± 0.5 %	R3
720537	LOAD CELL M16-50 kN	5 t	< ± 0.5 %	R3
720561	LOAD CELL M16-100 kN	10 t	< ± 0.5 %	R3
720536	LOAD CELL M16-200 kN	20 t	< ± 0.5 %	R3
720645	LOAD CELL M16-400 kN	40 t	< ± 0.5 %	R3
720669	LOAD CELL M16-600 kN	60 t	< ± 0.5 %	R3
720599	LOAD CELL M16-800 kN	80 t	< ± 0.5 %	R3
720600	LOAD CELL M16-1000 kN	100 t	< ± 0.5 %	R3
<b>Options:</b>				
Special capacities or dimensions: Contact us				
Combined error < 0.1 %: Contact us				
ATEX specific version - Designation : PRQ-...kN-EX / PRQ-...kN-0.1%-EX				
Not compatible with the connector and analogue output option - ATEX 2014/34/EU, IECEx				
⊕ II 1G Ex ia IIC T6 / T5 / T4 Ga (zone 0, 1, 2)				
⊕ II 2D Ex ia IIIC T85 / T100 / T135 °C Db (zone 21, 22)				

FS: rated capacity / v min = minimal interval [according to cert. OIML R601] / C.E. = Combined error in % of Cn / DC = Code put back



# Load cells & Accessories

Compression load cells...

# R30X

1 t ... 12 t



- Made in stainless steel grade 1.4418 for high corrosion resistance
- Hermetically sealed IP68/IP69K
- High accuracy, approved 3000d OIML R60
- Ideally suited for tank weighing applications in wet environments
- Easy to clean
- Optional connector output



Capacité Nominale Rated capacity [C.N.]	Dimensions - Dimension [mm]										Poids Weight
1 t ... 12 t	Ø A	B	Ø D	E	R	F	Ø I	Ø L	M	N	1.5 kg
	82	44	22	6	100	40	82	23	15	3	

Dimensions in mm

Signal at FS: 2mV/V ±0.15 %  
 Combined error: ±0.017 %FS  
 Impedance (In/Out): 760 Ω ±20 / 700 Ω ±5  
 Compensated temperature range: -10 ... +40°C  
 Overload limit: 150 %E<sub>max</sub> (max: 300 %)  
 Cable/Length: 6 wires / 10 m (option M12 connector)  
 Warranty: 3 years

+ Excit.: Brown | + Sign.: Yellow | - Sign.: White | - Excit.: Green | + Sense: Grey | - Sense: Pink  
 + Excit.: 7 | + Sign.: 1 | - Sign.: 8 | - Excit.: 6 | + Sense: 3 | - Sense: 5

P/N	Designation	C <sub>n</sub>	V <sub>min.</sub>	DC
<b>Cable version:</b>				
430643	LOAD CELL R30X 1t C3 CH 5e TR	1 t	200 g	R2
430644	LOAD CELL R30X 2.5t C3 CH 5e TR	2.5 t	500 g	R2
430645	LOAD CELL R30X 6t C3 CH 6e TR	6 t	1 kg	R2
430646	LOAD CELL R30X 12t C3 CH 6e TR	12 t	2 kg	R2
<b>Connector version:</b>				
430648	LOAD CELL R30X 1t C3 CH 5e CO8	1 t	200 g	R2
430649	LOAD CELL R30X 2.5t C3 CH 5e CO8	2.5 t	500 g	R2
430650	LOAD CELL R30X 6t C3 CH 6e CO8	6 t	1 kg	R2
430651	LOAD CELL R30X 12t C3 CH 6e CO8	12 t	2 kg	R2
<b>Accessories:</b>				
640101	5M CABLE WITH M12 8 POLES CONNECTOR			R4
640110	10M CABLE WITH M12 8 POLES CONNECTOR			R4
640112	20M CABLE WITH M12 8 POLES CONNECTOR			R4
<b>Related products:</b>				
	SILOKITR,			
	SILOSAFER & RX,			
	PLATES KIT			

FS: rated capacity / v min = minimal interval (according to cert. OIML R60) / C.E. = Combined error in % of C<sub>n</sub> / DC = Code print back

# R10X

250 kg ... 100 t



- Made of stainless steel, sealed IP68/IP69K
- Accuracy up to  $\pm 0.05\%$
- Spherical load button
- Ideally suited for tank or silo weighing applications
- Easy to clean
- High temperature version (HT:  $+125^{\circ}\text{C}$ ) on request
- Optional connector output



Version câble - Cable version

Version connecteur - Connector version

M12 Connector

Plaque de charge (option) - Upper Plate (option)

Capacité Nominal Rated capacity (C.N.)	Ø A	B	Ø D	E	R	F	G	H	Ø I	Ø L	M	N	Poids Weight
250 kg ... 15 t	82	44	22	12	90	30	3°	3	82	23	15	3	1.5 kg
30 t	126	54	35	14	160	55	3°	3	89	36	15	3	4 kg
50 t S-Size	126	54	35	14	160	55	3°	3	89	36	25	3	4 kg
50, 100 t	164	80	60	20	340	/	0°	0	89	62	25	4	10 kg

Dimensions in mm



Signal at FS: 2 mV/V  $\pm 0.15\%$   
 Combined error: up to  $\pm 0.05\%$  FS  
 Impedance (in/out):  $730\ \Omega \pm 20$  /  $700\ \Omega \pm 10$   
 Compensated temperature range:  $-10 \dots +50^{\circ}\text{C}$   
 Overload limit: 150 % Emax (max.: 300 %)  
 Cable/length: 4 shielded wires / 10 m  
 Warranty: 3 years

+ Excit.: Red | + Sign.: Green | - Sign.: White | - Excit.: Black

P/N	Designation	Cn	C.E.	DC
430625	LOAD CELL R10X 250 kg TR	250 kg	$< \pm 0.1\%$	R2
430626	LOAD CELL R10X 500 kg TR	500 kg	$< \pm 0.1\%$	R2
430627	LOAD CELL R10X 1t TR	1 t	$< \pm 0.1\%$	R2
430628	LOAD CELL R10X 2½ TR	2.5 t	$< \pm 0.1\%$	R2
430629	LOAD CELL R10X 5t TR	5 t	$< \pm 0.1\%$	R2
430630	LOAD CELL R10X 10t TR	10 t	$< \pm 0.1\%$	R2
430631	LOAD CELL R10X 15t TR	15 t	$< \pm 0.1\%$	R2
430632	LOAD CELL R10X 30t TR	30 t	$< \pm 0.1\%$	R2
430633	LOAD CELL R10X 50t S-Size TR	50 t	$< \pm 0.1\%$	R2
632228	LOAD CELL R10X 50t	50 t	$< \pm 0.1\%$	R2
632229	LOAD CELL R10X 100t	100 t	$< \pm 0.1\%$	R2
<b>Options:</b>				
SP/OL	OPTIONAL HIGH TEMPERATURE FOR R10X - Service temperature range $-20 \dots +125^{\circ}\text{C}$			R2
850272	"SI" TEST FOR LOAD CELLS ATEX & IECEx - Ⓢ II 1 G/D, Ex ia IIC T6 Ga, Ex ia IIIC T80°C Da, IP6X, $-20^{\circ}\text{C} < T_a < +60^{\circ}\text{C}$ [zone 0/20]			R2
850273	"n" TEST FOR LOAD CELLS ATEX & IECEx - Ⓢ II 3 G, Ex nA IIC T6 Gc, $-20^{\circ}\text{C} < T_a < +60^{\circ}\text{C}$ [zone 2]			R2
850274	"DUST" MARKING FOR LOAD CELL ATEX & IECEx - Ⓢ II 1 D, Ex ia IIIC T125°C Da, IP6X, $-20^{\circ}\text{C} < T_a < +60^{\circ}\text{C}$ [zones 20]			R2
850428	HIGH-RESISTANCE PAINT OPTION (for R10X sensors)			R1
<b>Related products:</b>				
	SILOKITR			
	SILOSAFER & RX			
	PLATES KIT			

FS: rated capacity / v min = minimal interval (according to cert. OIML R60) / C.E. = Combined error in % of Cn / DC = Code put back

# R10X C08

250 kg ... 100 t



- Made of stainless steel, sealed IP68
- Accuracy up to  $\pm 0.05\%$
- Spherical load button
- Ideally suited for tank or silo weighing applications
- Easy to clean
- High temperature version (HT: +125°C) on request
- Optional connector output



Capacité Nominale Rated capacity (C.N.)	Ø A	B	Ø D	E	R	F	G	H	Ø I	Ø L	M	N	Poids Weight
250 kg ... 15 t	82	44	22	12	90	30	3°	3	82	23	15	3	1.5 kg
30 t	126	54	35	14	160	55	3°	3	89	36	15	3	4 kg
50 t S-Size	126	54	35	14	160	55	3°	3	89	36	25	3	4 kg
50, 100 t	164	80	60	20	340	/	0°	0	89	62	25	4	10 kg

Dimensions in mm



Signal at FS: 2 mV/V  $\pm 0.2\%$   
 Combined error:  $\pm 0.05\%$  FS (1000 d)  
 Impedance (in/out): 700  $\Omega$   $\pm 20$  / 700  $\Omega$   $\pm 5$   
 Compensated temperature range: -10 ... +50°C  
 Overload limit: 150 % Emax (max.: 300 %)  
 Output: Connector M12 8 pins  
 Warranty: 3 years

+ Excit.: 7 | + Sign.: 1 | - Sign.: 8 | - Excit.: 6 | + Sense: 3 | - Sense: 5

P/N	Designation	Cn	C.E.	DC
430634	LOAD CELL R10X 250 kg CO8	250 kg	< $\pm 0.1\%$	R2
430635	LOAD CELL R10X 500 kg CO8	500 kg	< $\pm 0.1\%$	R2
430636	LOAD CELL R10X 1t CO8	1 t	< $\pm 0.1\%$	R2
430637	LOAD CELL R10X 2t5 CO8	2.5 t	< $\pm 0.1\%$	R2
430638	LOAD CELL R10X 5t CO8	5 t	< $\pm 0.1\%$	R2
430639	LOAD CELL R10X 10t CO8	10 t	< $\pm 0.1\%$	R2
430640	LOAD CELL R10X 15t CO8	15 t	< $\pm 0.1\%$	R2
430641	LOAD CELL R10X 30t CO8	30 t	< $\pm 0.1\%$	R2
430642	LOAD CELL R10X 50t S-Size CO8	50 t	< $\pm 0.1\%$	R2
632286	LOAD CELL R10X 50t CO8	50 t	< $\pm 0.1\%$	R2
632287	LOAD CELL R10X 100t CO8	100 t	< $\pm 0.1\%$	R2
<b>Options:</b>				
SP/OL	OPTIONAL HIGH TEMPERATURE FOR R10X - Service temperature range -20 ... +125°C			R2
850272	"SI" TEST FOR LOAD CELLS ATEX & IECEx - Ⓢ II 1 G/D, Ex ia IIC T6 Ga, Ex ia IIIC T80°C Da, IP6X, -20°C < Ta < +60°C (zone 0/20)			R2
850273	"n" TEST FOR LOAD CELLS ATEX & IECEx - Ⓢ II 3 G, Ex nA IIC T6 Gc, -20°C < Ta < +60°C (zone 2)			R2
850274	"DUST" MARKING FOR LOAD CELL ATEX & IECEx - Ⓢ II 1 D, Ex ia IIIC T125°C Da, IP6X, -20°C < Ta < +60°C (zones 20)			R2
<b>Accessories:</b>				
640101	5M CABLE WITH M12 8 POLES CONNECTOR			R4
640110	10M CABLE WITH M12 8 POLES CONNECTOR			R4
640112	20M CABLE WITH M12 8 POLES CONNECTOR			R4
<b>Related products:</b>				
	SILOKITR, SILOSAFER & RX, PLATES KIT			

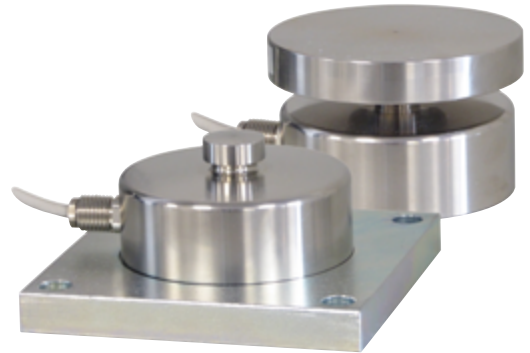
FS: rated capacity / v min = minimal interval (according to cert. OIML R601) / C.E. = Combined error in % of Cn / DC = Code put back

# RX UPPER PLATE

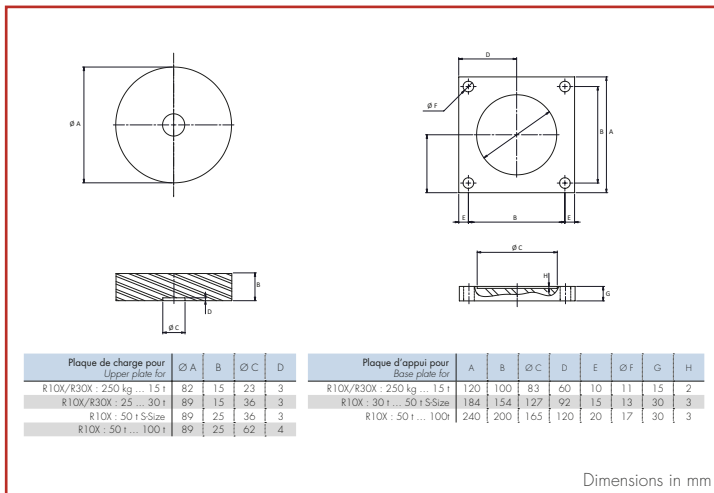
250 kg ... 100 t



- Plates designed for tank weighing
- Base plates made of zinc plated steel
- Standard Upper plates made of stainless steel
- Upper and Base plates sold separately



Load cell sold separately



For load cell: R10X and R30

Replace: MasterK CAP

P/N	Designation	Cn	v <sub>min.</sub>	DC
632263	UPPER PLATE STAINLESS STEEL R10X 1-15t			R2
632264	UPPER PLATE STAINLESS STEEL R10X 30t			R2
720679	UPPER PLATE STAINLESS STEEL R10X 50t S-size			R2
632265	UPPER PLATE STAINLESS STEEL R10X 50-100t			R2
<b>Accessories:</b>				
632272	BASE PLATE FOR R10X 1-15t			R2
632273	BASE PLATE FOR R10X 30-50t S-Size			R2
632274	BASE PLATE FOR R10X 50-100t			R2

FS: rated capacity / v<sub>min.</sub> = minimal interval (according to cert. OIML R601) / C.E. = Combined error in % of Cn / DC = Code put back

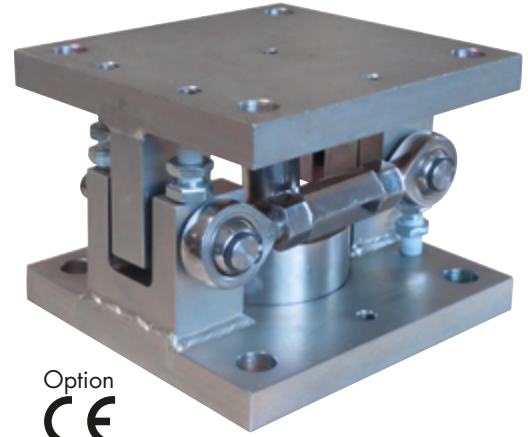


# SILOSAFE-R /-RX EVO



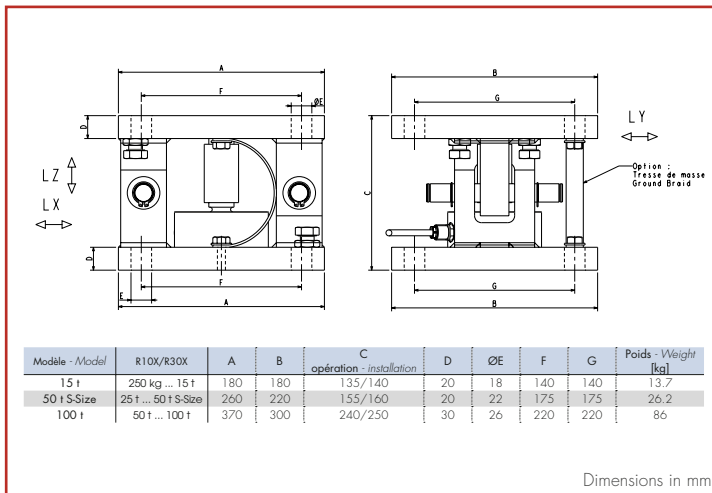
250 kg ... 100 t

- Zinc plated steel (R) or Stainless steel (RX)
- Double Lift-off prevention device
- High capacity bidirectional stoppers
- Pendulum mounting for accurate weighing
- Integrated jacking bolts
- 1 or 2 optional stay rods to maintain the structure in dynamic application (15 t, 50 t)
- An option, construction and EC-certificate EN1090-1, EXC2



Option  
**CE**  
EN 1090

Load cell sold separately



For load cell: R10X

P/N	Designation	Cn	v <sub>min.</sub>	DC
<b>Zinc plated steel versions</b>				
803838	SILOSAFE-R 15t EVO			R2
803843	SILOSAFE-R 15t EVO + 1 STABILIZER (stabilizer mounted in factory)			R2
803840	SILOSAFE-R 50t S-Size EVO			R2
803844	SILOSAFE-R 50t S-Size EVO + 1 STABILIZER (stabilizer mounted in factory)			R2
803842	SILOSAFE-R 100t EVO			R2
<b>Stainless steel versions</b>				
803839	SILOSAFE-RX 15t EVO			R2
803845	SILOSAFE-RX 15t EVO + 1 STABILIZER (stabilizer mounted in factory)			R2
803841	SILOSAFE-RX 50t S-Size EVO			R2
803846	SILOSAFE-RX 50t S-Size EVO + 1 STABILIZER (stabilizer mounted in factory)			R2
<b>Option:</b>				
850425	CE MARKING EN1090 EXC2 FOR SILOSAFE EVO			R6
<b>Accessories:</b>				
009962	STAINLESS STEEL STABILIZER FOR SILOSAFE R/RX 15t EVO			R2
009963	STAINLESS STEEL STABILIZER FOR SILOSAFE R/RX 50t S-Size EVO			R2
009964	INSULATING PLATE FOR SILOSAFE EVO 15t			R2
009965	INSULATING PLATE FOR SILOSAFE EVO 50t			R2
805403	EARTHING BRAID KIT FOR SILOSAFE 15t EVO			R2
805404	EARTHING BRAID KIT FOR SILOSAFE 50t/100t EVO			R2

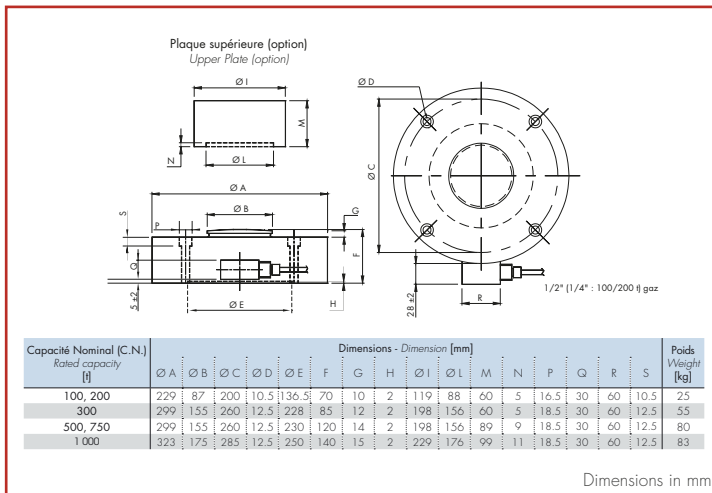
FS: rated capacity / v<sub>min.</sub> = minimal interval (according to cert. OIVL R60) / C.E. = Combined error in % of Cn / DC = Code put back

# RH10X

100 t ... 1 000 t



- Made of stainless steel hermetically welded IP68
- Low profile design
- Spherical load button for perfect alignment of the load
- Ideally suited for any industrial weighing and level control application



Signal at FS: 2 mV/V ±0.1 %  
 Combined error: ±0.2 %FS  
 Impedance (in/out): 700 Ω ±20 / 700 Ω ±5  
 Compensated temperature range: -10 ... +50°C  
 Overload limit: 150 %Emax (max.: 300 %)  
 Cable/length: 6 shielded wires / 10 m  
 Warranty: 3 years

+ Excit.: Red | + Sign.: Green | - Sign.: White | - Excit.: Black | + Sense: Blue | - Sense: Brown

P/N	Designation	Cn	C.E.	DC
632250	LOAD CELL RH10X 100t	100 t	< ± 0.2 %	R2
632251	LOAD CELL RH10X 200t	200 t	< ± 0.2 %	R2
632252	LOAD CELL RH10X 300t	300 t	< ± 0.2 %	R2
632253	LOAD CELL RH10X 500t	500 t	< ± 0.2 %	R2
632524	LOAD CELL RH10X 750t	750 t	< ± 0.2 %	R2
632266	LOAD CELL RH10X 1000t	1000 t	< ± 0.2 %	R2
<b>Options:</b>				
850272	TEST "SI" CAPTEURS ATEX ET IECEx - Ⓢ II 1 G/D, Ex ia IIC T6 Ga, Ex ia IIIC T80°C Da, IP6X, -20°C < Ta < +60°C (zones 0/20)			R2
850273	TEST "n" CAPTEUR ATEX ET IECEx - Ⓢ II 3 G, Ex nA IIC T6 Gc, -20°C < Ta < +60°C (zone 2)			R2
850274	MARQUAGE "DUST" CAPTEUR ATEX ET IECEx - Ⓢ II 1 D, Ex ia IIC T125°C Da, IP6X, -20°C < Ta < +60°C (zones 20)			R2
<b>Accessories:</b>				
632260	UPPER PLATE RH10X 100-200t			R2
632261	UPPER PLATE RH10X 300t			R2
632262	UPPER PLATE RH10X 500-750t			R2

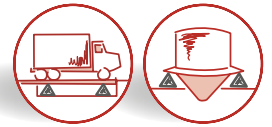
FS: rated capacity / v min = minimal interval (according to cert. OIML R601) / C.E. = Combined error in % of Cn / DC = Code put back



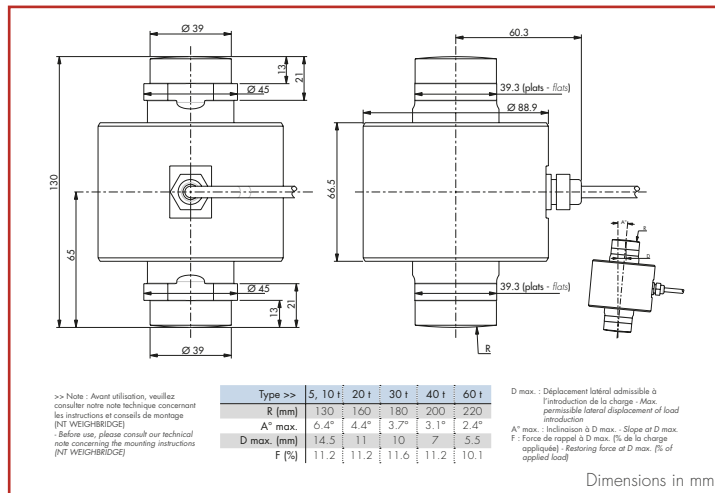


# CB50X

5 t ... 60 t



- Made of stainless steel hermetically welded IP68/IP69K
- 4 000 d OIML R60 approved
- Spherical and self centering base
- Anti rotation system included
- Ideally suited for weighbridge use
- Suited as well for silo weighing (with stabican kit)



Plates kit sold separately

Signal at FS: 2 mV/V  
 Combined error: ±0.013 %FS  
 Impedance (in/out): 815 Ω ±20 / 700 Ω ±0.35  
 Compensated temperature range: -10 ... +40°C  
 Overload limit: 150 %Emax (max.: 300 %)  
 Cable/length: 4 shielded wires / 15 m - Steel armored  
 Warranty: 3 years  
 See next page for optional lightning protection and rodent-protected cables

+ Excit.: Red | + Sign.: White | - Sign.: Yellow | - Excit.: Blue

Replaces: HBM C16, Flintec RC3, GWT PR6201/6221 (lower profile: 170 mm), SCAIME CA40X

P/N	Designation	Cn	V <sub>min.</sub>	DC
<b>Standard versions, certified OIML C4, Y = 10 000</b>				
421523	LOAD CELL CB50X5t C4 CH 10e	5 t	500 g	R1
421527	LOAD CELL CB50X10t C4 CH 10e	10 t	1 kg	R1
421531	LOAD CELL CB50X20t C4 CH 10e	20 t	2 kg	R1
421535	LOAD CELL CB50X30t C4 CH 10e	30 t	3 kg	R1
421539	LOAD CELL CB50X40t C4 CH 10e	40 t	4 kg	R1
421543	LOAD CELL CB50X60t C4 CH 10e	60 t	6 kg	R1
<b>Options:</b>				
JUNCTION CABLE 20 M: Consult us				
850272	"SI" TEST FOR LOAD CELLS ATEX & IECEx - Ⓢ II 1 G/D, Ex ia IIC T6 Ga, Ex ia IIIC T80°C Da, IP6X, -20°C < Ta < +60°C (zone 0/20)			R2
850273	"n" TEST FOR LOAD CELLS ATEX & IECEx - Ⓢ II 3 G, Ex nA IIC T6 Gc, -20°C < Ta < +60°C (zone 2)			R2
850274	"DUST" MARKING FOR LOAD CELL ATEX & IECEx - Ⓢ II 1 D, Ex ia IIIC T1 25°C Da, IP6X, -20°C < Ta < +60°C (zones 20)			R2
<b>Accessory:</b>				
803799	DUMMY LOAD CELL CB50X 5 ... 60t (requires cups or plates of CB50X)			R2
<b>Related products:</b>				
LPC, LPS & LPSH, LPM & LPMX				
STABICAN				

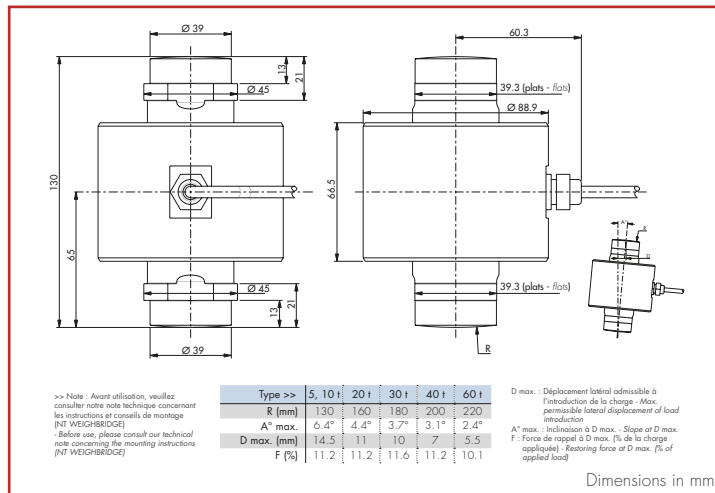
FS: rated capacity / v<sub>min</sub> = minimal interval (according to cert. OIML R60) / C.E. = Combined error in % of Cn / DC = Code put back

# CB50X GDT

5 t ... 60 t



- General specifications identicare to previous page
- Optional overvoltage protection (GDT)
- Optional shielded cable against rodent (AR)
- Ideally suited for weighbridge use



Plates kit sold separately

Signal at FS: 2 mV/V  
 Combined error: ±0.013 %FS  
 Impedance (in/out): 815 Ω ±20 / 700 Ω ±0.35  
 Compensated temperature range: -10 ... +40°C  
 Overload limit: 150 %Emax (max.: 300 %)  
 Cable/length: 4 shielded wires / 15 m - Steel armored  
 Warranty: 3 years

+ Excit.: Red | + Sign.: White | - Sign.: Yellow | - Excit.: Blue

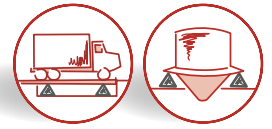
Replaces: HBM C16, Flintec RC3, GWT PR6201/6221 (lower profile: 170 mm), SCAIME CA40X

P/N	Designation	Cn	V <sub>min.</sub>	DC
<b>Versions with protection against rodents and lightning, certified OIML C4, Y = 10 000</b>				
421570	LOAD CELL CB50X5t C4 CH 10e GDT AR	5 t	500 g	R1
421572	LOAD CELL CB50X10t C4 CH 10e GDT AR	10 t	1 kg	R1
421574	LOAD CELL CB50X20t C4 CH 10e GDT AR	20 t	2 kg	R1
421576	LOAD CELL CB50X30t C4 CH 10e GDT AR	30 t	3 kg	R1
421578	LOAD CELL CB50X40t C4 CH 10e GDT AR	40 t	4 kg	R1
421580	LOAD CELL CB50X60t C4 CH 10e GDT AR	60 t	6 kg	R1
421577	LOAD CELL CB50X30t C4 CH 10e GDT AR LG20m	30 t	3 g	R1
421579	LOAD CELL CB50X40t C4 CH 10e GDT AR LG20m	40 t	4 g	R1
<b>Options:</b>				
850272	"SI" TEST FOR LOAD CELLS ATEX & IECEx - Ⓢ II 1 G/D, Ex ia IIC T6 Ga, Ex ia IIC T80°C Da, IP6X, -20°C < Ta < +60°C (zone 0/20)			R2
850273	"n" TEST FOR LOAD CELLS ATEX & IECEx - Ⓢ II 3 G, Ex nA IIC T6 Gc, -20°C < Ta < +60°C (zone 2)			R2
850274	"DUST" MARKING FOR LOAD CELL ATEX & IECEx - Ⓢ II 1 D, Ex ia IIC T125°C Da, IP6X, -20°C < Ta < +60°C (zones 20)			R2
<b>Accessory:</b>				
803799	DUMMY LOAD CELL CB50X 5 ... 60t (requires cups or plates of CB50X)			R2
<b>Related products:</b>				
	IPC, LPS & LPSH, LPM & LPMX			
	STABICAN			

FS: rated capacity / v min = minimal interval (according to cert. OIML R60) / C.E. = Combined error in % of Cn / DC = Code put back

# CB50X-DL

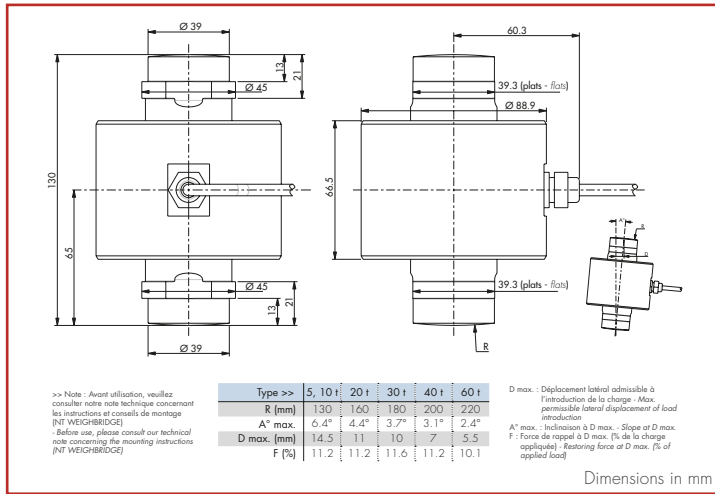
20 t ... 60 t



- Made of stainless steel welded IP68/IP69K
- 5 000 d OIML R60 approved
- RS485 digital output signal
- Integrated ESD protection
- Spherical and self-centering base
- Ideally suited for weighbridge use
- Rodent protection as standard (AR)
- Lightning protection integrated to DLCJB box



Plates kit sold separately



Power supply: 7.5 ... 16 V  
 FS resolution: 200 000 d  
 Combined error: ±0.014% FS  
 Conversion: 24 bit, 100 meas./s.  
 Compensated temperature range: -10 ... +40°C  
 Overload limit: 150 %Emax (max.: 200 %)  
 Cable/length: 6 shielded wires / 15 m  
 Warranty: 3 years

+ Excit.: blanc | - Excit.: Brown

RS485 Out: A+ = Green | B- = Yellow

RS485 In: A+ = Grey | B- = Pink

Replaces: HBM C16, Flintec RC3, GWT PR6201/6221 (lower profile: 170 mm)

P/N	Designation	Cn	v <sub>min.</sub>	DC
<b>Versions with protection against rodents, certified OIML C4, Y = 10 000</b>				
421557	LOAD CELL CB50X-DL 20t C4 CH 10e AR	20 t	2 kg	R1
421559	LOAD CELL CB50X-DL 30t C4 CH 10e AR	30 t	3 kg	R1
421561	LOAD CELL CB50X-DL 40t C4 CH 10e AR	40 t	4 kg	R1
421563	LOAD CELL CB50X-DL 60t C4 CH 10e AR	60 t	6 kg	R1
<b>Option:</b>				
JUNCTION CABLE 20 M: Consult us				
<b>Accessory:</b>				
803799	DUMMY LOAD CELL CB50X 5 ... 60t (requires cups or plates of CB50X)			R2
<b>Related products:</b>				
LPC, LPS & LPSH, LPM & LPMX				

FS: rated capacity / v<sub>min</sub> = minimal interval (according to cert. OIML R60) / C.E. = Combined error in % of Cn / DC = Code put back







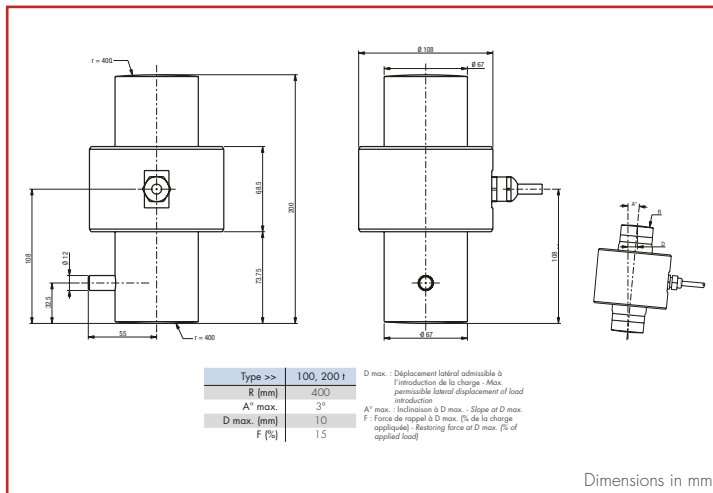


# CA40X 200T

100 t ... 200 t



- Made of stainless steel hermetically welded IP68
- Spherical and self centering base
- Anti-rotating system included
- Ideally suited for high capacity silo weighing



Signal at FS: 2 mV/V  
 Combined error: ±0.024 %FS  
 Impedance (in/out): 815 Ω ±20 / 700 Ω ±35  
 Compensated temperature range: -10 ... +40°C  
 Overload limit: 150 %Emax (max.: 300 %)  
 Cable/length: 4 shielded wires / 15 m  
 Warranty: 3 years

+ Excit.: Red | + Sign.: White | - Sign.: Yellow | - Excit.: Blue

Replaces: HBM C16, GWT PR6201 (lower profile: 300 mm)

P/N	Designation	Cn	V <sub>min.</sub>	DC
421487	LOAD CELL CA40X100t P3 CH 5e V2	100 t	20 kg	R1
421488	LOAD CELL CA40X200t P3 CH 5e V2	200 t	40 kg	R1
<b>Options:</b>				
850272	"SI" TEST FOR LOAD CELLS ATEX & IECEx - Ⓢ II 1 G/D, Ex ia IIC T6 Ga, Ex ia IIIC T80°C Da, IP6X, -20°C < Ta < +60°C (zone 0/20)			R2
850273	"n" TEST FOR LOAD CELLS ATEX & IECEx - Ⓢ II 3 G, Ex nA IIC T6 Gc, -20°C < Ta < +60°C (zone 2)			R2
850274	"DUST" MARKING FOR LOAD CELL ATEX & IECEx - Ⓢ II 1 D, Ex ia IIIC T125°C Da, IP6X, -20°C < Ta < +60°C (zones 20)			R2
<b>Accessories:</b>				
803831	ZINC STEEL PLATES KIT FOR CA40X 100/200T			R2
803795	STABICAN 200t (compression kit for CA40X 100...200t)			R2
803796	DUMMY LOAD CELL CA40X 100...200t (to be used with the 2 plates of CA40X)			R2
<b>Related products:</b>				
ZINC STEEL PLATES,				
STABICAN 200t				

FS: rated capacity / v min = minimal interval (according to cert. OIML R601) / C.E. = Combined error in % of Cn / DC = Code print back







# Associated Electronics

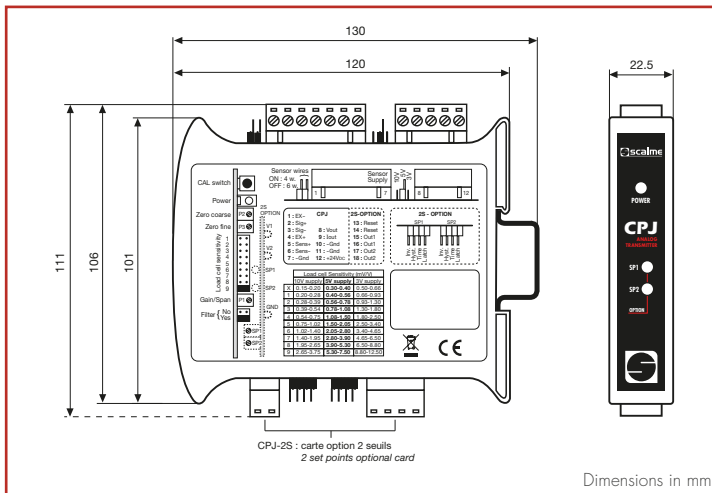
Transmitters...



# CPJ / CPJ-2S

±10 V/0-10 V / 4-20 mA

- The CPJ is able to run up to 4 strain gauge load cells (350 Ω)
- 4 or 6 wire load cells
- Voltage output (±10 VDC or 0-10 VDC) and current output (4-20 mA)
- Shunt calibration signal
- 2 set points on relays optional (version CPJ 2S)



Power supply: 24 VDC ±4 V  
 Accuracy class: 0.05 %  
 Span adjustment: 0.15 ... 12 mV/V  
 Bandwidth: up to 20 KHz  
 Filtering: 10 Hz modifiable in option  
 Presentation: board, Rail Din support, IP65 box  
 Warranty: 1 year

P/N	Designation	Cn	V <sub>min.</sub>	DC
530111	CPJ BOARD			R4
530112	CPJ RAIL DIN			R4
530113	CPJ BOX			R4
530115	CPJ-2S RAIL DIN (with 2 sets points)			R4
	<b>Options:</b>			
850310	OPT. POTENTIOMETRIC INPUT FOR CPJ			R4
850311	OPT. SPECIFIC ANALOG FILTER FOR CPJ			R4
850312	OPT. 12VDC POWER SUPPLY FOR CPJ			R4
	<b>Accessory:</b>			
640151	DRL10-24 RAIL DIN POWER SUPPLY (110/220 VAC, 24 VCC, 10 W)			R4

FS: rated capacity / v min = minimal interval (according to cert. OIML R60) / C.E. = Combined error in % of Cn / DC = Code put back

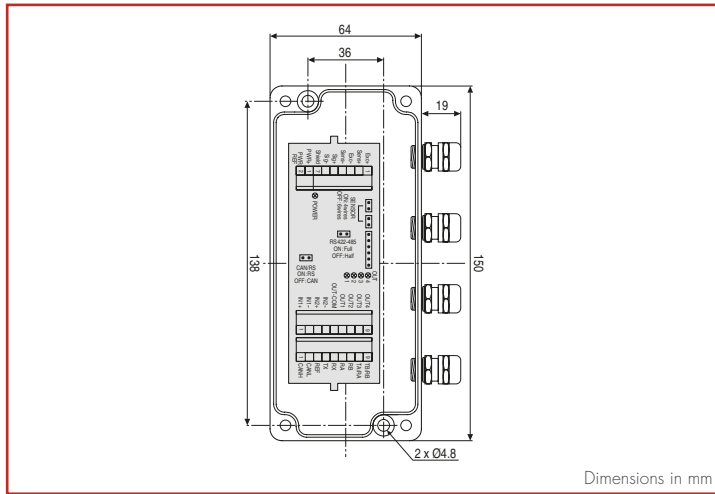


# ENOD3 ALUBOX

1 600 meas./s. , ±500 000 pts



- Digital measurement conditioner
- Aluminum painted box, IP65 protection
- Up to 4 strain gauged load cells (4/6 wires), 24 bits A/D converter
- Programmable digital filters
- 2 digital inputs and 2 outputs
- Communication in RS485, CAN and RS232
- Approved 6 000 d OIML R76, R51, R61



Power supply: 10 ... 28 VDC  
 Admissible input signal: 0 ... 7.8 mV/V  
 Max. resolution: ±1 000 000 pts  
 Internal resolution: 24 bits  
 Conversion rate: 6.25 ... 1 600 meas./s.  
 Transmission rate: up to 1 000 meas./s.  
 Function: Transmitter (T version)  
           Dosing (D version)  
           Checkweigher (C version)

P/N	Designation	Cn	V <sub>min.</sub>	DC
530140	DIGITAL TRANSMITTER ENOD3-T ALUBOX			R4
530135	DIGITAL TRANSMITTER ENOD3-C ALUBOX (cert. OIML R76 6 000d)			R4
530132	DIGITAL TRANSMITTER ENOD3-D ALUBOX (cert. OIML R76 6 000d)			R4
<b>Accessories:</b>				
640151	DRL10-24 RAIL DIN POWER SUPPLY (110/220 VAC, 24 VCC, 10 W)			R4
640095	RS232/USB CONVERTER			R4
640096	RS485/USB CONVERTER			R3
<b>Related product:</b>				
	ENODVIEW SOFTWARE			

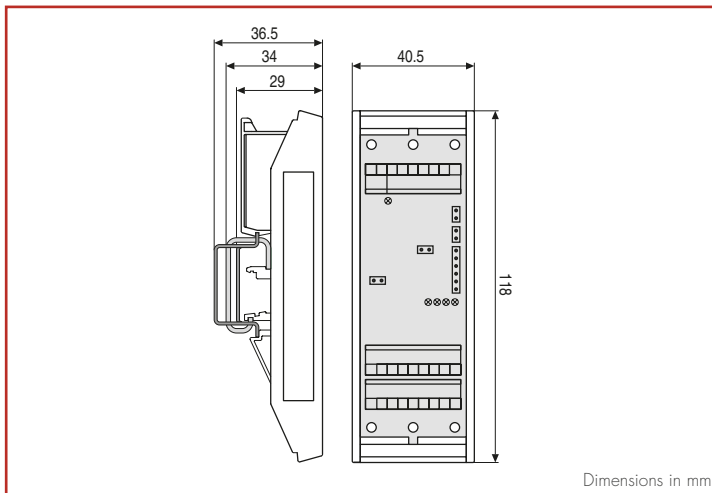
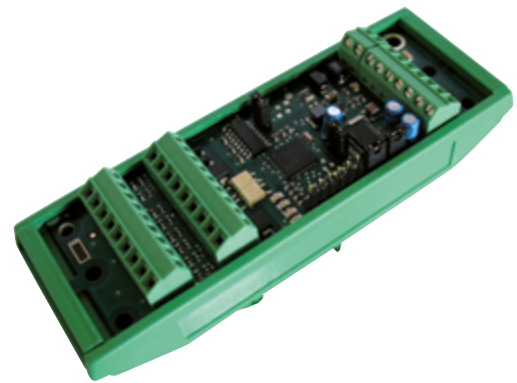
FS: rated capacity / v min = minimal interval (according to cert. OIML R60) / C.E. = Combined error in % of Cn / DC = Code put back

# ENOD3 DIN

1 600 meas./s. , ±500 000 pts



- Digital measurement conditioner
- Din Rail box
- Up to 4 strain gauged load cells (4/6 wires)
- Programmable digital filters
- 2 digital inputs and 2 outputs
- Communication in RS485, CAN and RS232



Power supply: 10 ... 28 VDC  
 Admissible input signal: 0 ... 7.8 mV/V  
 Max. resolution: ±1 000 000 pts  
 Internal resolution: 24 bits  
 Conversion rate: 6.25 ... 1 600 meas./s.  
 Transmission rate: up to 1 000 meas./s.  
 Function: Transmitter (T version)  
           Dosing (D version)  
           Checkweigher (C version)

P/N	Designation	Cn	V <sub>min.</sub>	DC
<b>"Board" versions:</b>				
530139	DIGITAL TRANSMITTER ENOD3-T CARD			R4
530120	DIGITAL CONTROLLER ENOD3-C CARD			R4
530130	DIGITAL CONTROLLER ENOD3-D CARD			R4
<b>"Rail Din" versions:</b>				
530137	DIGITAL TRANSMITTER ENOD3-T DIN			R4
530124	DIGITAL CONTROLLER ENOD3-C DIN			R4
530131	DIGITAL CONTROLLER ENOD3-D DIN			R4
<b>Accessories:</b>				
640151	DRL10-24 RAIL DIN POWER SUPPLY (110/220 VAC, 24 VCC, 10 W)			R4
640095	RS232/USB CONVERTER			R4
640096	RS485/USB CONVERTER			R3
<b>Related product:</b>				
	ENODVIEW SOFTWARE			

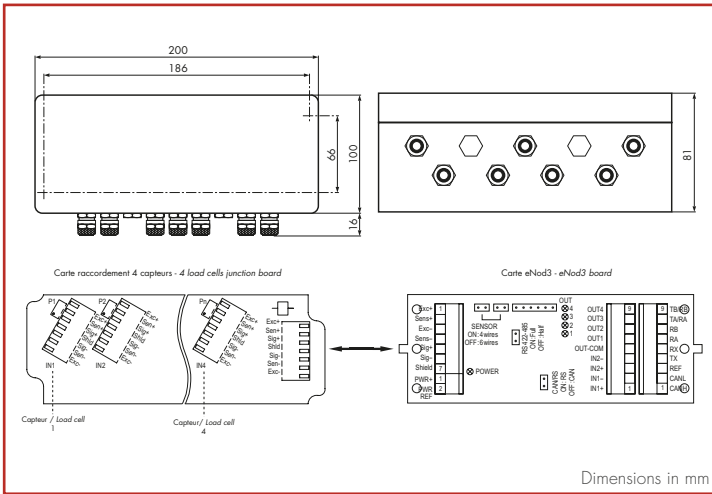
FS: rated capacity / v min = minimal interval (according to cert. OIML R60) / C.E. = Combined error in % of Cn / DC = Code put back

# ENOD3 JB4

1 600 meas./s. , ±500 000 pts



- Digital measurement transmitter
- Includes analog summation board of up to 4 load cells
- Aluminum painted box, IP65 protection
- Up to 4 strain gauged load cells (4/6 wires)
- Programmable digital filters
- 2 digital inputs and 4 outputs
- Communication in RS485, CAN and RS232



Power supply: 10 ... 28 VDC  
 Admissible input signal: 0 ... 7.8 mV/V  
 Max. resolution: ±1 000 000 pts  
 Internal resolution: 24 bits  
 Conversion rate: 6.25 ... 1 600 meas./s.  
 Transmission rate: up to 1 000 meas./s.  
 Function: Transmitter (T version)  
           Dosing (D version)  
           Checkweigher (C version)

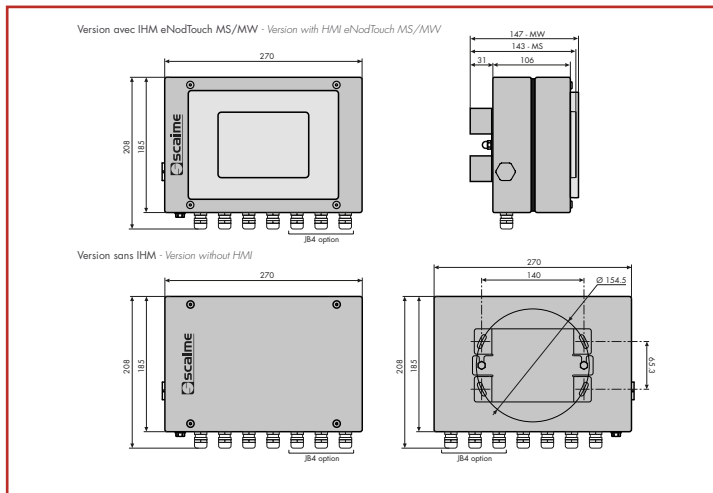
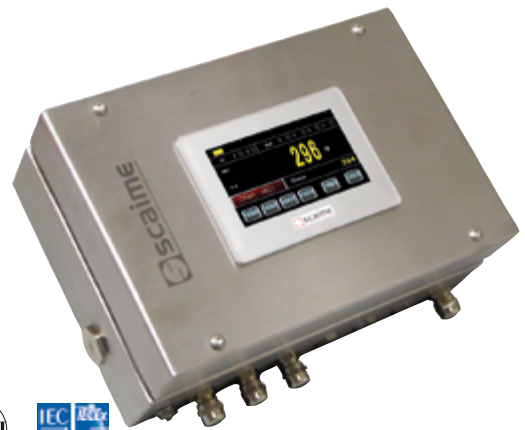
P/N	Designation	Cn	v <sub>min.</sub>	DC
530142	DIGITAL TRANSMITTER ENOD3-T JB4			R4
530122	DIGITAL CONTROLLER ENOD3-C JB4			R4
530133	DIGITAL CONTROLLER ENOD3-D JB4			R4
	<b>Accessories:</b>			
640151	DRL10-24 RAIL DIN POWER SUPPLY (110/220 VAC, 24 VCC, 10 W)			R4
640095	RS232/USB CONVERTER			R4
640096	RS485/USB CONVERTER			R3
	<b>Related product:</b>			
	ENODVIEW SOFTWARE			

FS: rated capacity / v min = minimal interval (according to cert. OIML R60) / C.E. = Combined error in % of Cn / DC = Code put back

# ENOD4-T BOX

1 600 mes./s., ± 500 000 pts

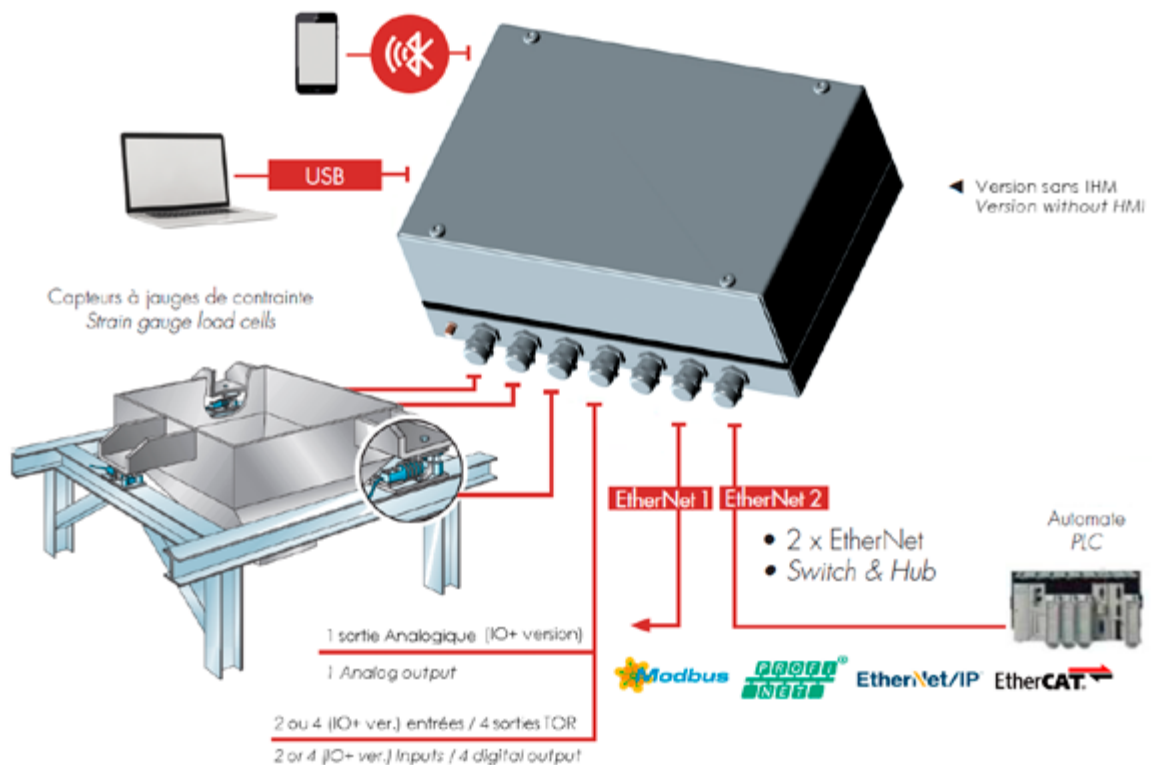
- IP65 Stainless steel housing
- Up to 8 strain gage load cells (4/6 wires)
- Certification according to OIML R76
- Programmable digital filters
- 2 digital inputs (4 with IO+ version) and 4 outputs
- Analog output 0-10 V or 4-20 mA (IO+ version)
- USB link for PC and RS485 link for HMI eNodTouch
- Optional Bluetooth communication



Power supply: 10 ... 28 Vdc  
 Admissible input signal: 0 ... 7.8 mV/V  
 Accuracy class: 0.005 %  
 Max. resolution: ±500 000 pts  
 Internal resolution: 24 bits  
 Conversion rate: 6 ... 1 600 meas./s.  
 Warranty: 1 year

## Interfaces diagram

EtherNet Versions



CAN/RS485/PROFIBUS® versions available

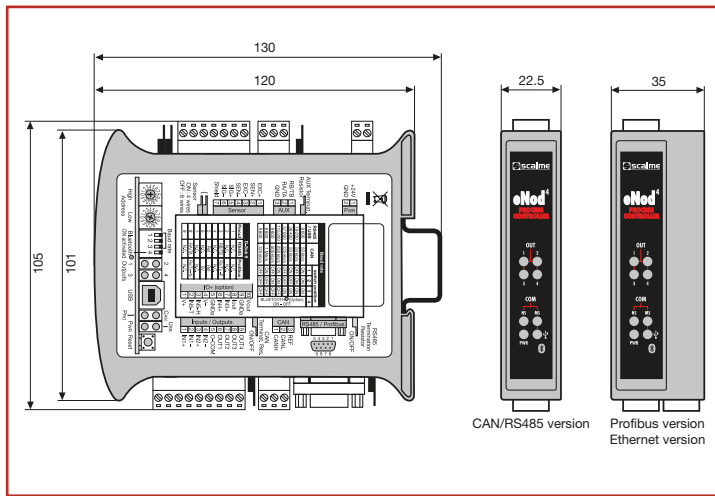


# ENOD4-T DIN

1 600 mes./s., ± 500 000 pts



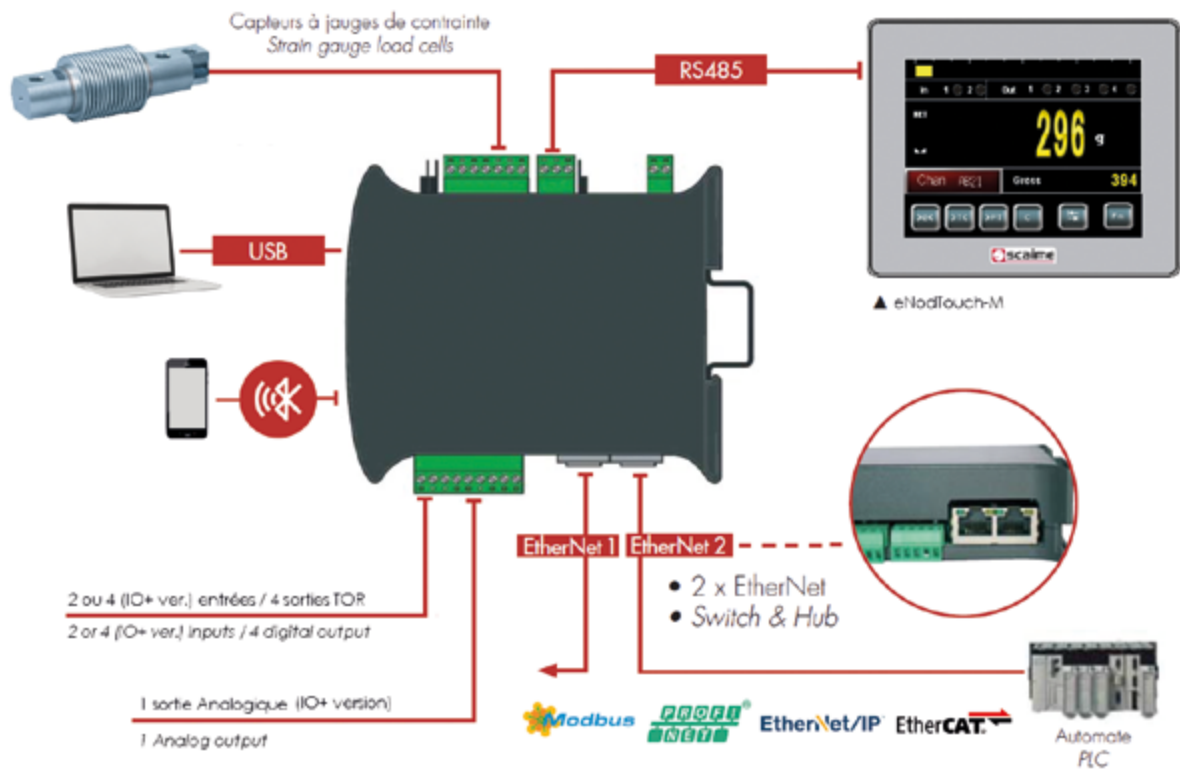
- Vertical housing for installation on DIN rail
- Up to 8 strain gage load cells (4/6 wires)
- Certification according to OIML R76
- Programmable digital filters
- 2 digital inputs (4 with IO+ version) and 4 outputs
- Analog output 0-10 V or 4-20 mA (IO+ version)
- USB link for PC and RS485 link for HMI eNodTouch
- Optional Bluetooth communication



Power supply: 10 ... 28 Vdc  
 Admissible input signal: 0 ... 7.8 mV/V  
 Accuracy class: 0.005 %  
 Max. resolution: ±500 000 pts  
 Internal resolution: 24 bits  
 Conversion rate: 6 ... 1 600 meas./s.  
 Warranty: 1 year

## Interfaces diagram

EtherNet Versions



CAN/RS485/PROFIBUS® versions available

## Ordering references

BASIC MODEL									
eNod4									
<b>Application software</b>									
-T	Transmitter								
-C	Checkweigher								
-D	Batch dosing, Filling								
-B	Belt feeder, Continuous totalizer								
-F	Loss-In-Weight feeder								
<b>Housing</b>									
-DI	DIN version, DIN rail vertical housing								
-BJ	BOX version without HMI								
-BS	BOX version with eNodTouch-MS								
-BW	BOX version with eNodTouch-MW								
-XJ	BOX ATEX/IECEX version without HMI <sup>(3)</sup>								
-XS	BOX ATEX/IECEX version with eNodTouch-MS <sup>(3)</sup>								
<b>Power supply and connection</b>									
00	24 VDC, without junction box								
04	24 VDC, 4 load cells junction board <sup>(1)</sup>								
20	110-240 VAC EU, without junction board <sup>(1) (2)</sup>								
<b>Optional I/O board</b>									
-0	No								
-A	IO+ version: 0-10 V/4-20 mA output, 2 logical In, 1 pulse In								
<b>Wireless communication</b>									
00	No								
B0	Bluetooth								
<b>PLC connectivity</b>									
-SC	CANOpen / RS485 Modbus-RTU								
-SP	Profibus-DP								
-EM	EtherNet, Modbus TCP								
-EI	EtherNet, EtherNet/IP								
-EP	EtherNet, Profinet								
-EC	EtherNet, EtherCAT								
eNod4	-T	-DI	00						

<sup>(1)</sup> Not compatible with DIN version  
<sup>(2)</sup> Not compatible with BOX ATEX/IECEX version  
<sup>(3)</sup> Without test & marking ATEX/IECEX

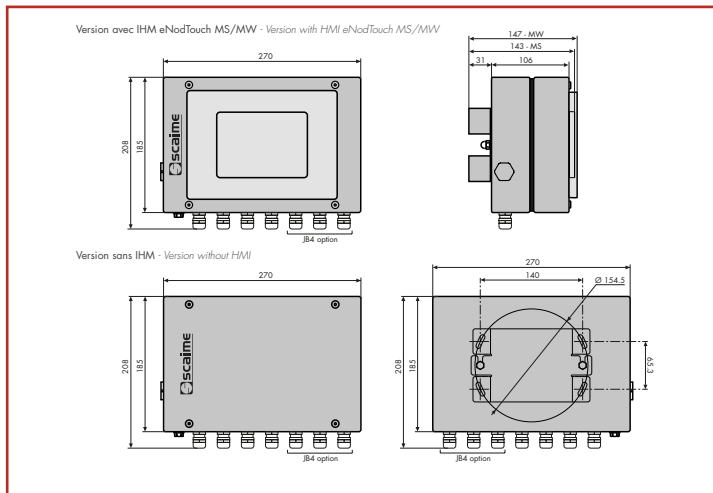
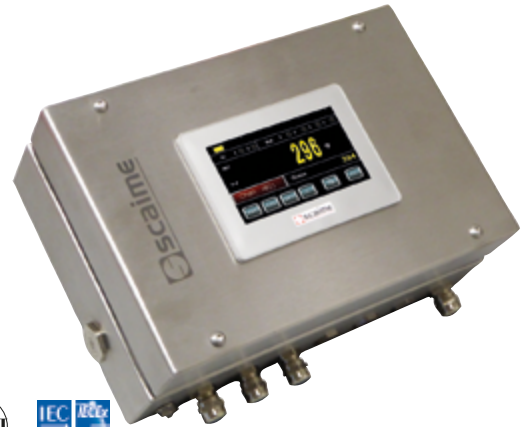
P/N	Designation	DC
<b>Accessory:</b>		
640151	DRL10-24 RAIL DIN POWER SUPPLY (110/220VAC, 24VCC, 10W)	R4
<b>Options:</b>		
850290	MARKING ENOD4 WT (EN45501 OR MID)	R6
850291	MARKING NAWI ENOD4 WSC (for manufacturer holder module D)	R6
<b>Related product:</b>		
	ENODVIEW SOFTWARE	

# ENOD4-C BOX



## Checkweighing

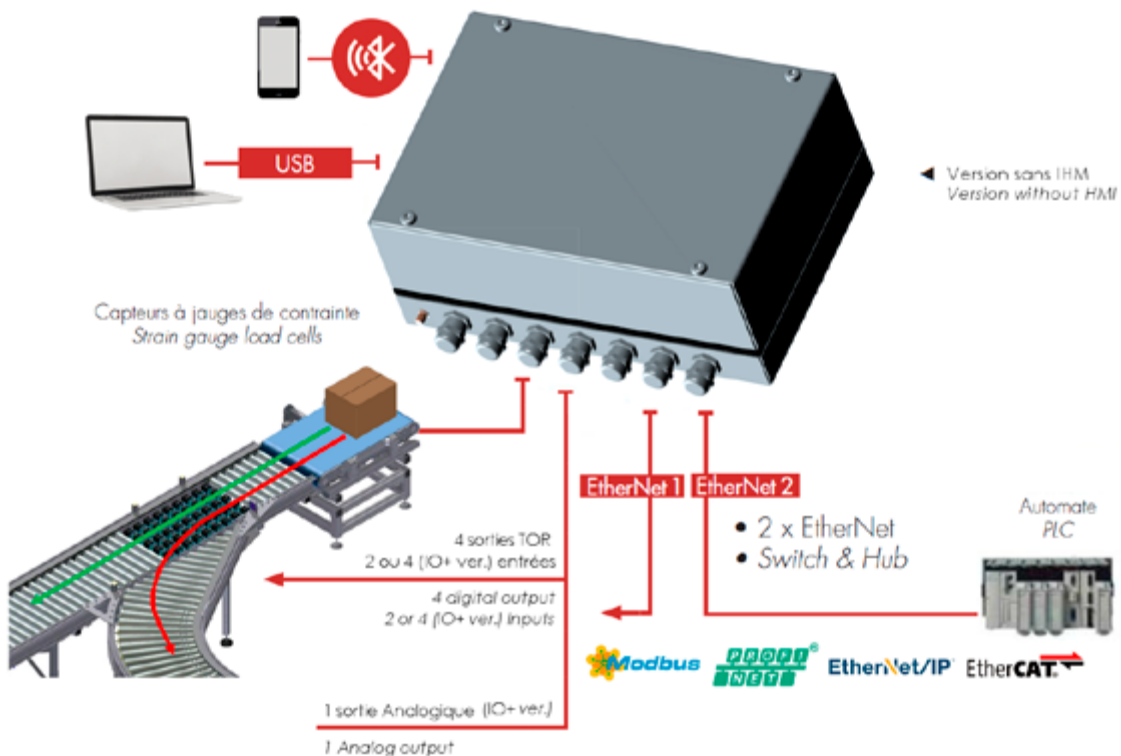
- IP65 Stainless steel housing
- Up to 8 strain gage load cells (4/6 wires)
- Function: Static or dynamic checkweighing
- Certification according to OIML R76, R51
- 2 digital inputs (4 with IO+ version) and 4 outputs
- Analog output 0-10 V or 4-20 mA (IO+ version)
- USB link for PC and RS485 link for HMI eNodTouch
- Optional Bluetooth communication



Power supply: 10 ... 28 Vdc  
 Admissible input signal: 0 ... 7.8 mV/V  
 Accuracy class: 0.005 %  
 Max. resolution: ±500 000 pts  
 Internal resolution: 24 bits  
 Conversion rate: 6 ... 1 600 meas./s.  
 Warranty: 1 year

## Interfaces diagram

EtherNet Versions



CAN/RS485/PROFIBUS® versions available

## Ordering references

BASIC MODEL									
eNod4									
<b>Application software</b>									
-T	Transmitter								
-C	Checkweigher								
-D	Batch dosing, Filling								
-B	Belt feeder, Continuous totalizer								
-F	Loss-In-Weight feeder								
<b>Housing</b>									
-DI	DIN version, DIN rail vertical housing								
-BJ	BOX version without HMI								
-BS	BOX version with eNodTouch-MS								
-BW	BOX version with eNodTouch-MW								
-XJ	BOX ATEX/IECEX version without HMI <sup>(3)</sup>								
-XS	BOX ATEX/IECEX version with eNodTouch-MS <sup>(3)</sup>								
<b>Power supply and connection</b>									
00	24 VDC, without junction box								
04	24 VDC, 4 load cells junction board <sup>(1)</sup>								
20	110-240 VAC EU, without junction board <sup>(1) (2)</sup>								
<b>Optional I/O board</b>									
-0	No								
-A	IO+ version: 0-10 V/4-20 mA output, 2 logical In, 1 pulse In								
<b>Wireless communication</b>									
00	No								
B0	Bluetooth								
<b>PLC connectivity</b>									
-SC	CANOpen / RS485 Modbus-RTU								
-SP	Profibus-DP								
-EM	EtherNet, Modbus TCP								
-EI	EtherNet, EtherNet/IP								
-EP	EtherNet, Profinet								
-EC	EtherNet, EtherCAT								
eNod4	-T	-DI	00						

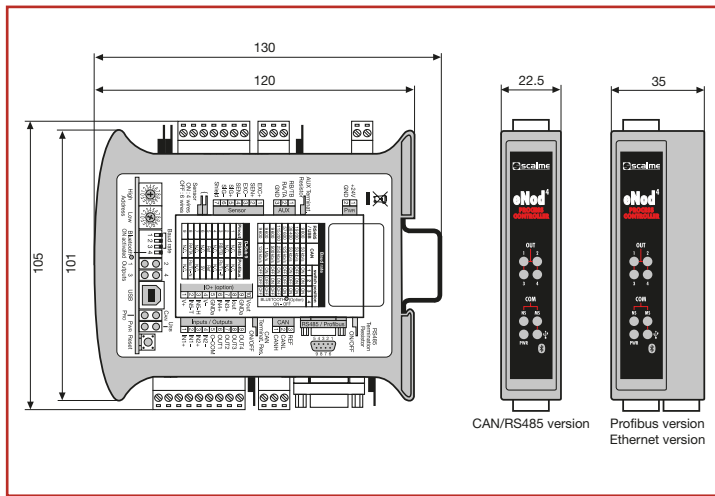
<sup>(1)</sup> Not compatible with DIN version  
<sup>(2)</sup> Not compatible with BOX ATEX/IECEX version  
<sup>(3)</sup> Without test & marking ATEX/IECEX

P/N	Designation	DC
<b>Accessories:</b>		
632121	ADJUSTABLE WALL MOUNT FOR IPC50/IPE50XLR/ENOD4 BOX	R4
640151	DRL10-24 RAIL DIN POWER SUPPLY (110/220VAC, 24VCC, 10W)	R4
<b>Options:</b>		
850285	TEST & MARKING ATEX/IECEX for eNod4-BOX - Ⓢx II 3 G D, Ex ec nA nC IIC T4 Gc, Ex tc IIIC T135°C Dc, 0°C <T <sub>a</sub> < +40°C (zones 2/22)	R2
850290	MARKING ENOD4 WT (EN45501 OR MID)	R6
850291	MARKING NAWI ENOD4 WSC (for manufacturer holder module D)	R6
850292	MARKING AWI ENOD4 CKW STOP&GO (for manufacturer holder module D)	R6
<b>Related product:</b>		
	ENODVIEW SOFTWARE	

# ENOD4-C DIN

## Checkweighing

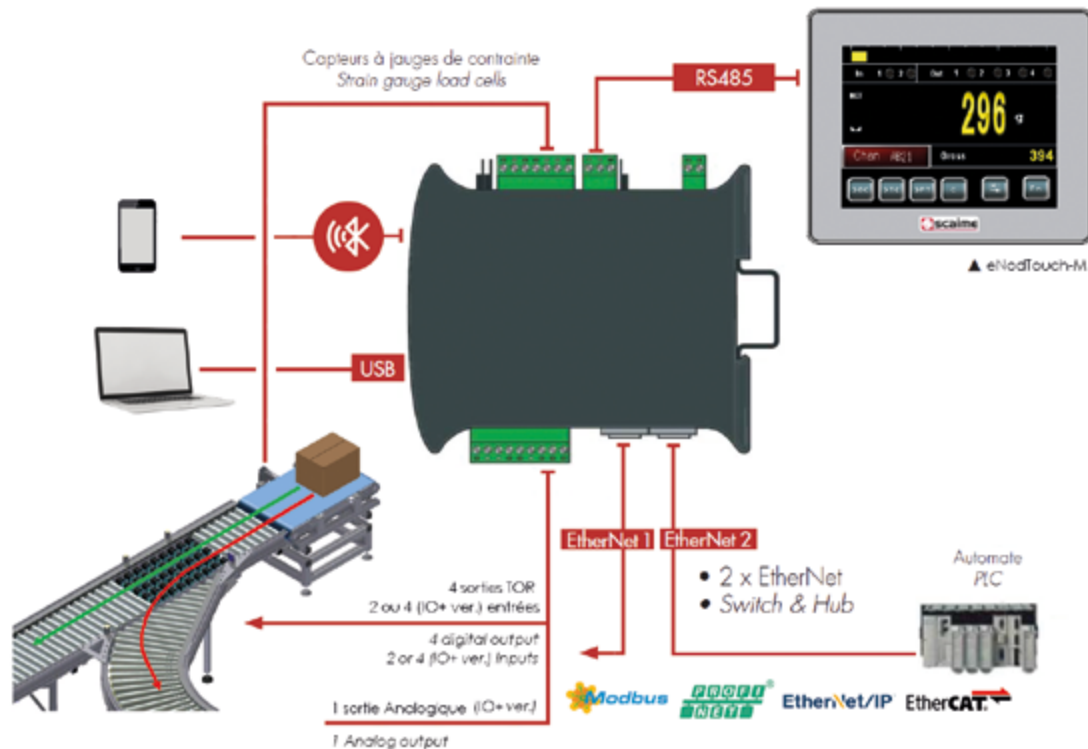
- Vertical housing for installation on DIN rail
- Up to 8 strain gage load cells (4/6 wires)
- Function: Static or dynamic checkweighing
- Certification according to OIML R76, R51
- 2 digital inputs (4 with IO+ version) and 4 outputs
- Analog output 0-10 V or 4-20 mA (IO+ version)
- USB link for PC and RS485 link for HMI eNodTouch
- Optional Bluetooth communication



Power supply: 10 ... 28 Vdc  
 Admissible input signal: 0 ... 7.8 mV/V  
 Accuracy class: 0.005 %  
 Max. resolution: ±500 000 pts  
 Internal resolution: 24 bits  
 Conversion rate: 6 ... 1 600 meas./s.  
 Warranty: 1 year

## Interfaces diagram

EtherNet Versions



CAN/RS485/PROFIBUS® versions available

## Ordering references

BASIC MODEL									
eNod4									
<b>Application software</b>									
-T	Transmitter								
-C	Checkweigher								
-D	Batch dosing, Filling								
-B	Belt feeder, Continuous totalizer								
-F	Loss-In-Weight feeder								
<b>Housing</b>									
-DI	DIN version, DIN rail vertical housing								
-BJ	BOX version without HMI								
-BS	BOX version with eNodTouch-MS								
-BW	BOX version with eNodTouch-MW								
-XJ	BOX ATEX/IECEX version without HMI <sup>(3)</sup>								
-XS	BOX ATEX/IECEX version with eNodTouch-MS <sup>(3)</sup>								
<b>Power supply and connection</b>									
00	24 VDC, without junction box								
04	24 VDC, 4 load cells junction board <sup>(1)</sup>								
20	110-240 VAC EU, without junction board <sup>(1) (2)</sup>								
<b>Optional I/O board</b>									
-0	No								
-A	IO+ version: 0-10 V/4-20 mA output, 2 logical In, 1 pulse In								
<b>Wireless communication</b>									
00	No								
B0	Bluetooth								
<b>PLC connectivity</b>									
-SC	CANOpen / RS485 Modbus-RTU								
-SP	Profibus-DP								
-EM	EtherNet, Modbus TCP								
-EI	EtherNet, EtherNet/IP								
-EP	EtherNet, Profinet								
-EC	EtherNet, EtherCAT								
eNod4	-T	-DI	00						

<sup>(1)</sup> Not compatible with DIN version  
<sup>(2)</sup> Not compatible with BOX ATEX/IECEX version  
<sup>(3)</sup> Without test & marking ATEX/IECEX

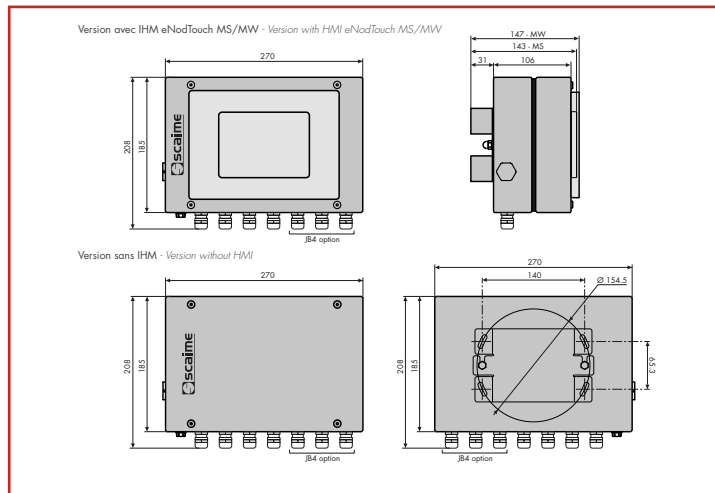
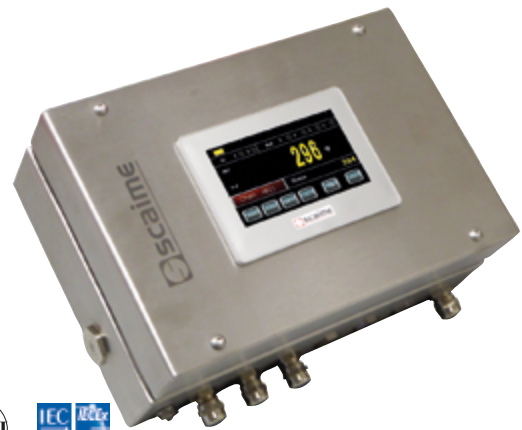
P/N	Designation	DC
<b>Accessory:</b>		
640151	DRL10-24 RAIL DIN POWER SUPPLY (110/220VAC, 24VCC, 10W)	R4
<b>Options:</b>		
850290	MARKING ENOD4 WT (EN45501 OR MID)	R6
850291	MARKING NAWI ENOD4 WSC (for manufacturer holder module D)	R6
850292	MARKING AWI ENOD4 CKW STOP&GO (for manufacturer holder module D)	R6
<b>Related product:</b>		
	ENODVIEW SOFTWARE	

# ENOD4-D BOX



## Filling, Batch dosing

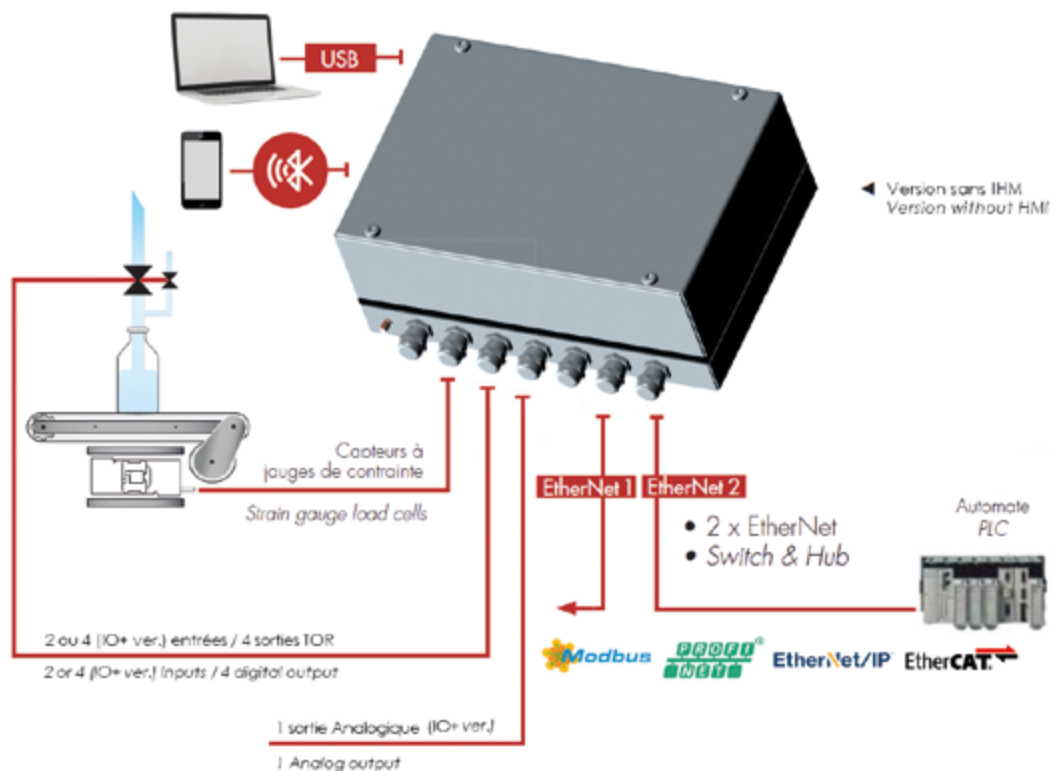
- IP65 Stainless steel housing
- Up to 8 strain gage load cells (4/6 wires)
- Function: Batch dosing, filling and unloading
- Certification according to OIML R76, R61
- 2 digital inputs (4 with IO+ version) and 4 outputs
- Analog output 0-10 V or 4-20 mA (IO+ version)
- USB link for PC and RS485 link for HMI eNodTouch
- Optional Bluetooth communication



Power supply: 10 ... 28 Vdc  
 Admissible input signal: 0 ... 7.8 mV/V  
 Accuracy class: 0.005 %  
 Max. resolution: ±500 000 pts  
 Internal resolution: 24 bits  
 Conversion rate: 6 ... 1 600 meas./s.  
 Warranty: 1 year

## Interfaces diagram

EtherNet Versions



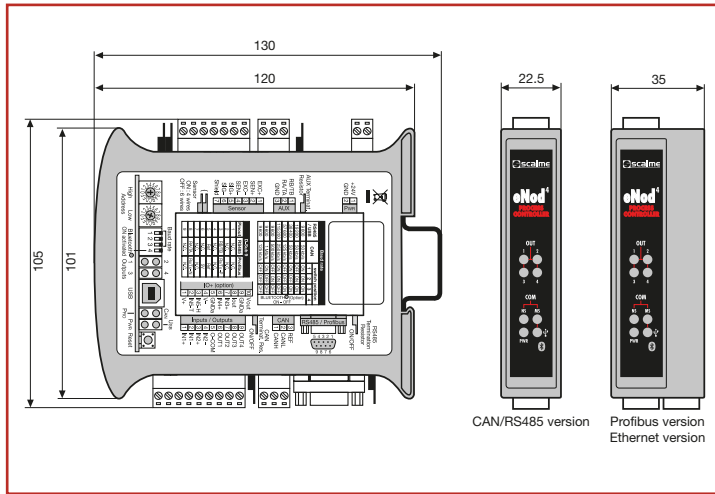
CAN/RS485/PROFIBUS® versions available



# ENOD4-D DIN

## Filling, Batch dosing

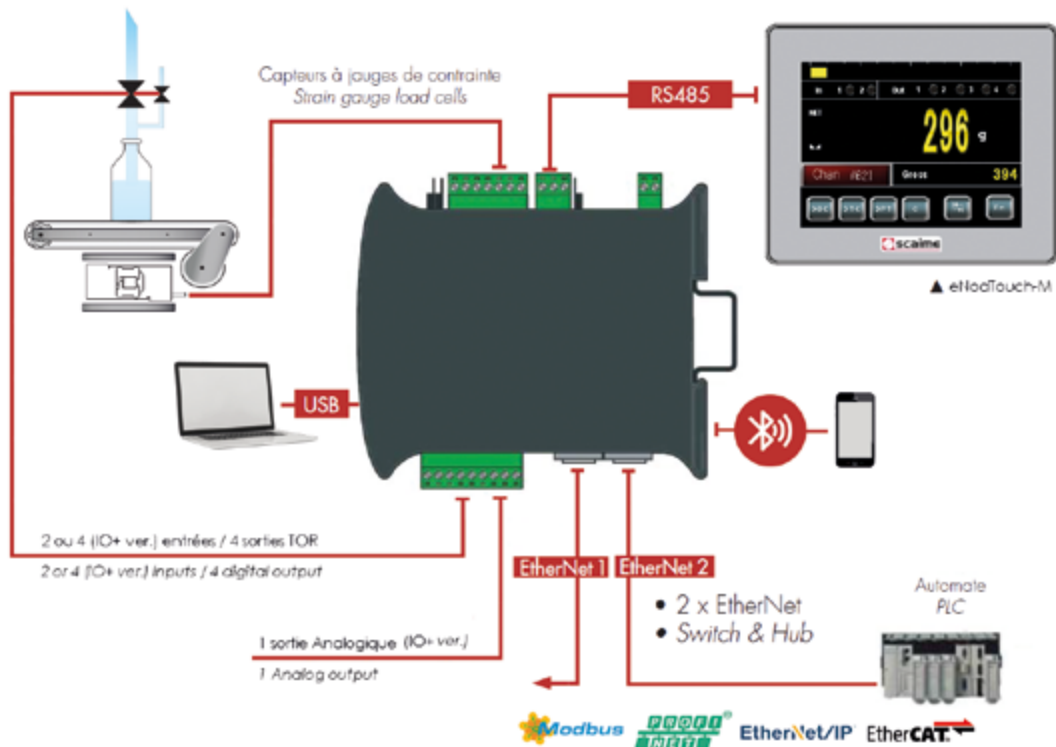
- Vertical housing for installation on DIN rail
- Up to 8 strain gage load cells (4/6 wires)
- Function: Batch dosing, filling and unloading
- Certification according to OIML R76, R61
- 2 digital inputs (4 with IO+ version) and 4 outputs
- Analog output 0-10 V or 4-20 mA (IO+ version)
- USB link for PC and RS485 link for HMI eNodTouch
- Optional Bluetooth communication



Power supply: 10 ... 28 Vdc  
 Admissible input signal: 0 ... 7.8 mV/V  
 Accuracy class: 0.005 %  
 Max. resolution: ±500 000 pts  
 Internal resolution: 24 bits  
 Conversion rate: 6 ... 1 600 meas./s.  
 Warranty: 1 year

## Interfaces diagram

EtherNet Versions



CAN/RS485/PROFIBUS® versions available

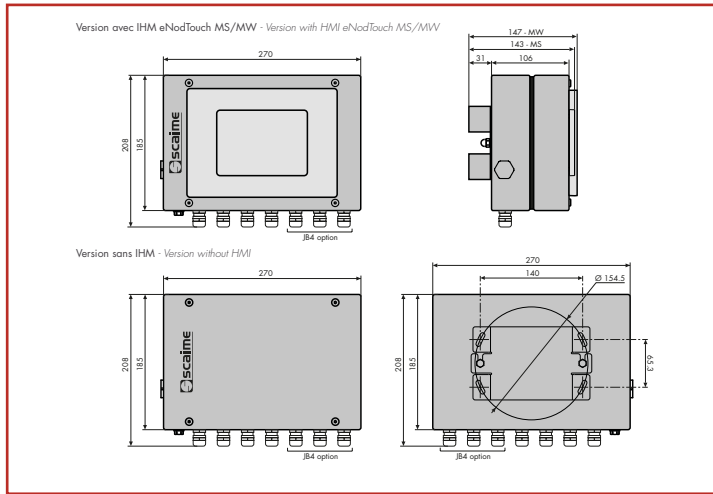


# ENOD4-F BOX



## Loss-in-weight feeder

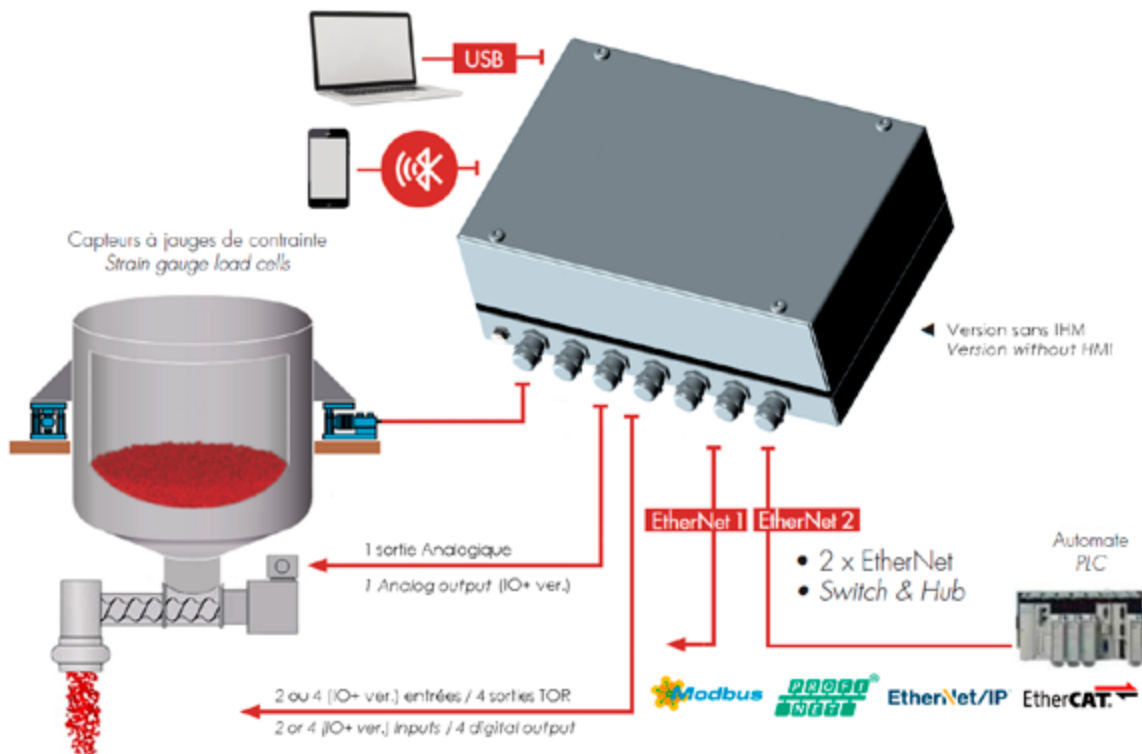
- IP65 Stainless steel housing
- Up to 8 strain gage load cells (4/6 wires)
- Continuous totalizing and flow rate control
- Automatic control of feeder refilling
- 2 digital inputs (4 with IO+ version) and 4 outputs
- Analog output 0-10 V or 4-20 mA (IO+ version)
- USB link for PC and RS485 link for HMI eNodTouch
- Optional Bluetooth communication



Power supply: 10 ... 28 Vdc  
 Admissible input signal: 0 ... 7.8 mV/V  
 Accuracy class: 0.005 %  
 Max. resolution: ±500 000 pts  
 Internal resolution: 24 bits  
 Conversion rate: 6 ... 200 meas./s.  
 Warranty: 1 year

## Interfaces diagram

EtherNet Versions



CAN/RS485/PROFIBUS® versions available

## Ordering references

BASIC MODEL									
eNod4									
<b>Application software</b>									
-T	Transmitter								
-C	Checkweigher								
-D	Batch dosing, Filling								
-B	Belt feeder, Continuous totalizer								
-F	Loss-In-Weight feeder								
<b>Housing</b>									
-DI	DIN version, DIN rail vertical housing								
-BJ	BOX version without HMI								
-BS	BOX version with eNodTouch-MS								
-BW	BOX version with eNodTouch-MW								
-XJ	BOX ATEX/IECEX version without HMI <sup>(3)</sup>								
-XS	BOX ATEX/IECEX version with eNodTouch-MS <sup>(3)</sup>								
<b>Power supply and connection</b>									
00	24 VDC, without junction box								
04	24 VDC, 4 load cells junction board <sup>(1)</sup>								
20	110-240 VAC EU, without junction board <sup>(1) (2)</sup>								
<b>Optional I/O board</b>									
-0	No								
-A	IO+ version: 0-10 V/4-20 mA output, 2 logical In, 1 pulse In								
<b>Wireless communication</b>									
00	No								
B0	Bluetooth								
<b>PLC connectivity</b>									
-SC	CANOpen / RS485 Modbus-RTU								
-SP	Profibus-DP								
-EM	EtherNet, Modbus TCP								
-EI	EtherNet, EtherNet/IP								
-EP	EtherNet, Profinet								
-EC	EtherNet, EtherCAT								
eNod4	-T	-DI	00						

<sup>(1)</sup> Not compatible with DIN version  
<sup>(2)</sup> Not compatible with BOX ATEX/IECEX version  
<sup>(3)</sup> Without test & marking ATEX/IECEX

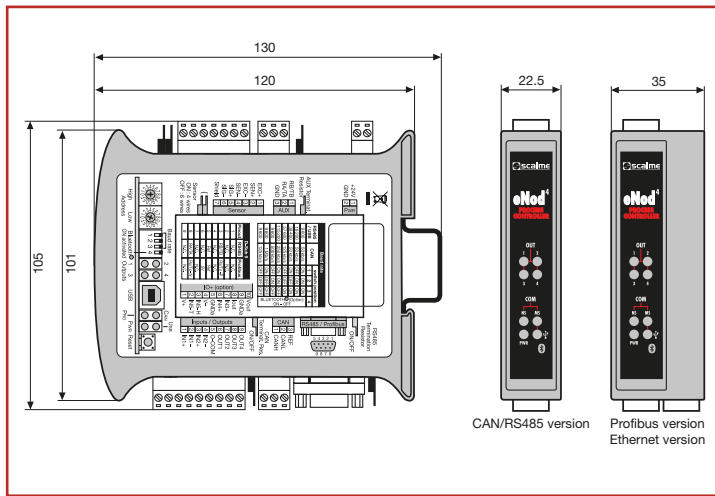
P/N	Designation	DC
<b>Accessories:</b>		
632121	ADJUSTABLE WALL MOUNT FOR IPC50/IPE50XLR/ENOD4 BOX	R4
640151	DRL10-24 RAIL DIN POWER SUPPLY (110/220VAC, 24VCC, 10W)	R4
<b>Options:</b>		
850285	TEST & MARKING ATEX/IECEX for eNod4-BOX - Ⓢx II 3 G D, Ex ec nA nC IIC T4 Gc, Ex tc IIIC T135°C Dc, 0°C <Ta < +40°C (zones 2/22)	R2
<b>Related product:</b>		
	ENODVIEW SOFTWARE	

# ENOD4-F DIN



## Loss-in-weight feeder

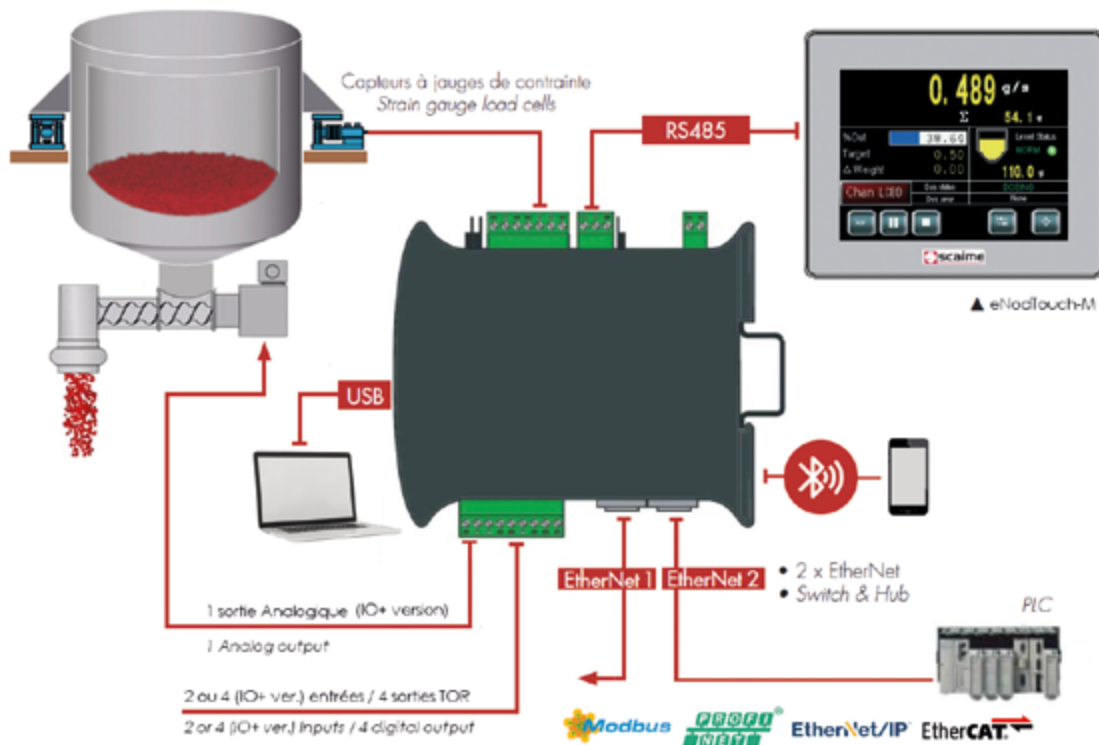
- Vertical housing for installation on DIN rail
- Up to 8 strain gage load cells (4/6 wires)
- Continuous totalizing and flow rate control
- Automatic control of feeder refilling
- 2 digital inputs (4 with IO+ version) and 4 outputs
- Analog output 0-10 V or 4-20 mA (IO+ version)
- USB link for PC and RS485 link for HMI eNodTouch
- Optional Bluetooth communication



Power supply: 10 ... 28 Vdc  
 Admissible input signal: 0 ... 7.8 mV/V  
 Accuracy class: 0.005 %  
 Max. resolution:  $\pm 500\,000$  pts  
 Internal resolution: 24 bits  
 Conversion rate: 6 ... 200 meas./s.  
 Warranty: 1 year

## Interfaces diagram

EtherNet Versions



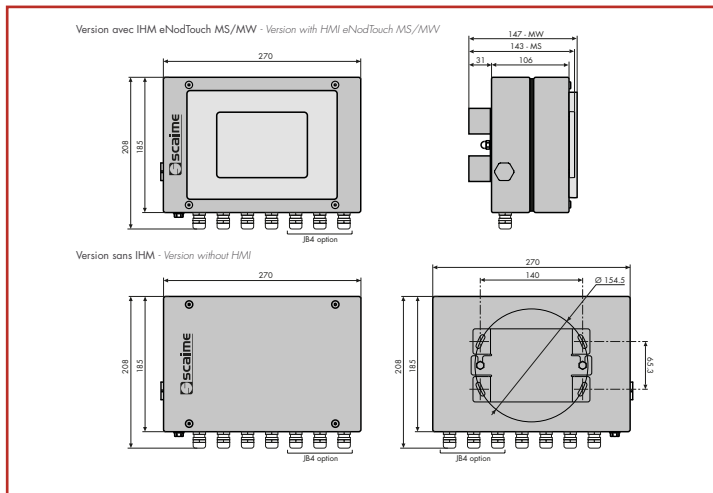
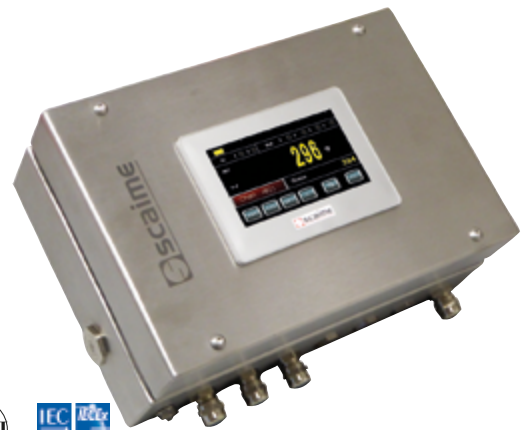
CAN/RS485/PROFIBUS® versions available



# ENOD4-B BOX

## Continuous totalizing, Belt feeder

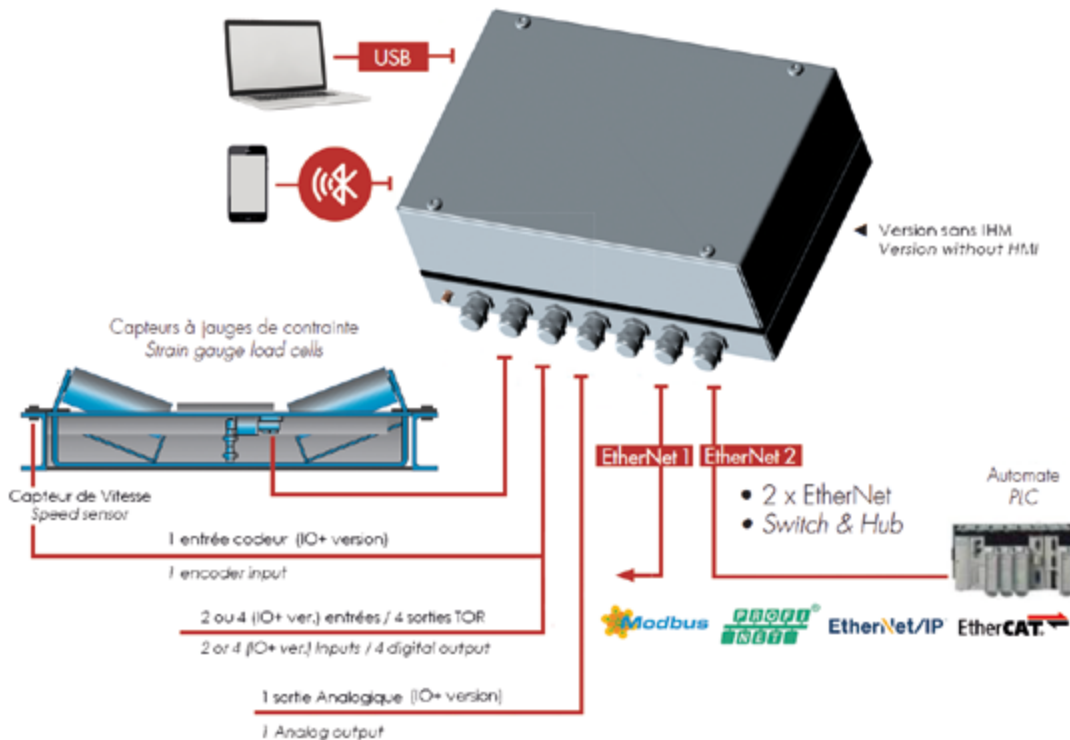
- IP65 Stainless steel housing
- Up to 8 strain gage load cells (4/6 wires)
- Continuous flow rate and weight total calculation
- 1 input for belt speed sensor
- 2 digital inputs (4 with IO+ version) and 4 outputs
- Analog output 0-10 V or 4-20 mA (IO+ version)
- USB link for PC and RS485 link for HMI eNodTouch
- Optional Bluetooth communication



Power supply: 10 ... 28 VDC  
 Admissible input signal: 0 ... 7.8 mV/V  
 Accuracy class: 0.005 %  
 Max. resolution: ±500 000 pts  
 Internal resolution: 24 bits  
 Conversion rate: 400 meas./s.  
 Warranty: 1 year

## Interfaces diagram

EtherNet Versions



CAN/RS485/PROFIBUS® versions available

## Ordering references

BASIC MODEL									
eNod4									
<b>Application software</b>									
-T	Transmitter								
-C	Checkweigher								
-D	Batch dosing, Filling								
-B	Belt feeder, Continuous totalizer								
-F	Loss-In-Weight feeder								
<b>Housing</b>									
-DI	DIN version, DIN rail vertical housing								
-BJ	BOX version without HMI								
-BS	BOX version with eNodTouch-MS								
-BW	BOX version with eNodTouch-MW								
-XJ	BOX ATEX/IECEX version without HMI <sup>(3)</sup>								
-XS	BOX ATEX/IECEX version with eNodTouch-MS <sup>(3)</sup>								
<b>Power supply and connection</b>									
00	24 VDC, without junction box								
04	24 VDC, 4 load cells junction board <sup>(1)</sup>								
20	110-240 VAC EU, without junction board <sup>(1) (2)</sup>								
<b>Optional I/O board</b>									
-0	No								
-A	IO+ version: 0-10 V/4-20 mA output, 2 logical In, 1 pulse In								
<b>Wireless communication</b>									
00	No								
B0	Bluetooth								
<b>PLC connectivity</b>									
-SC	CANOpen / RS485 Modbus-RTU								
-SP	Profibus-DP								
-EM	EtherNet, Modbus TCP								
-EI	EtherNet, EtherNet/IP								
-EP	EtherNet, Profinet								
-EC	EtherNet, EtherCAT								
eNod4	-T	-DI	00						

<sup>(1)</sup> Not compatible with DIN version  
<sup>(2)</sup> Not compatible with BOX ATEX/IECEX version  
<sup>(3)</sup> Without test & marking ATEX/IECEX

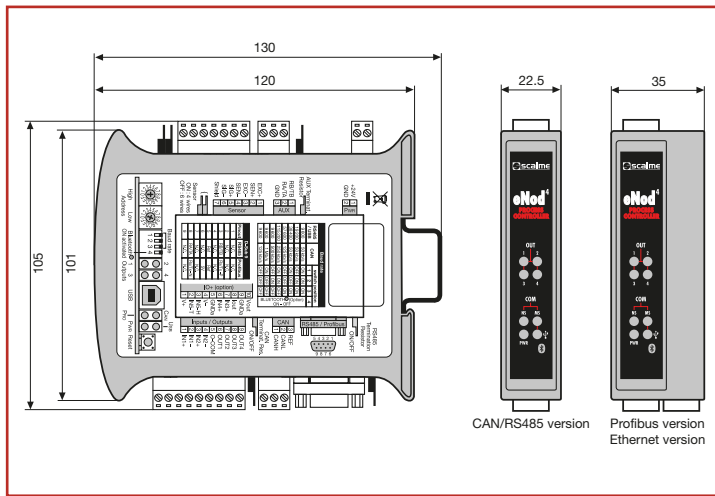
P/N	Designation	DC
<b>Accessories:</b>		
632121	ADJUSTABLE WALL MOUNT FOR IPC50/IPE50XLR/ENOD4 BOX	R4
640151	DRL10-24 RAIL DIN POWER SUPPLY (110/220VAC, 24VCC, 10W)	R4
<b>Option:</b>		
850285	TEST & MARKING ATEX/IECEX for eNod4-BOX - Ⓢx II 3 G D, Ex ec nA nC IIC T4 Gc, Ex tc IIIC T135°C Dc, 0°C <Ta < +40°C (zones 2/22)	R2
<b>Related product:</b>		
	ENODVIEW SOFTWARE	

# ENOD4-B DIN

## Continuous totalizing, Belt feeder



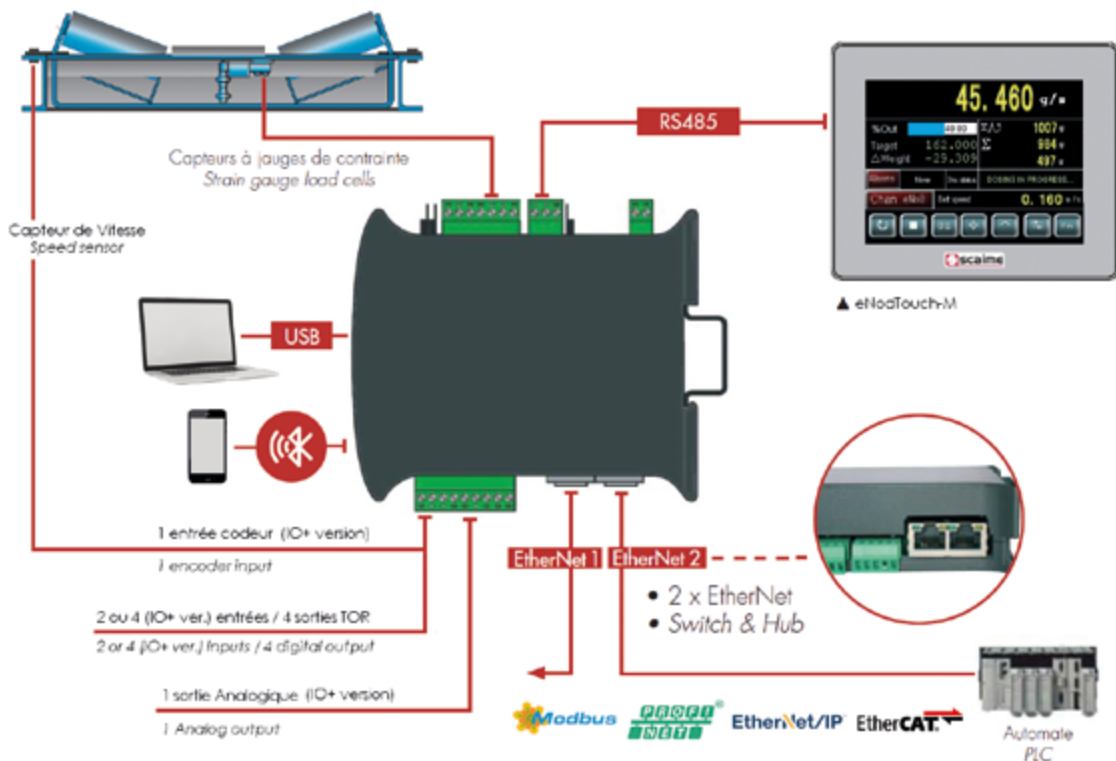
- Vertical housing for installation on DIN rail
- Up to 8 strain gage load cells (4/6 wires)
- Continuous flow rate and weight total calculation
- 1 input for belt speed sensor
- 2 digital inputs (4 with IO+ version) and 4 outputs
- Analog output 0-10 V or 4-20 mA (IO+ version)
- USB link for PC and RS485 link for HMI eNodTouch
- Optional Bluetooth communication



Power supply: 10 ... 28 VDC  
 Admissible input signal: 0 ... 7.8 mV/V  
 Accuracy class: 0.005 %  
 Max. resolution: ±500 000 pts  
 Internal resolution: 24 bits  
 Conversion rate: 400 meas./s.  
 Warranty: 1 year

## Interfaces diagram

EtherNet Versions



CAN/RS485/PROFIBUS® versions available















Associated Electronics

Indicators...





















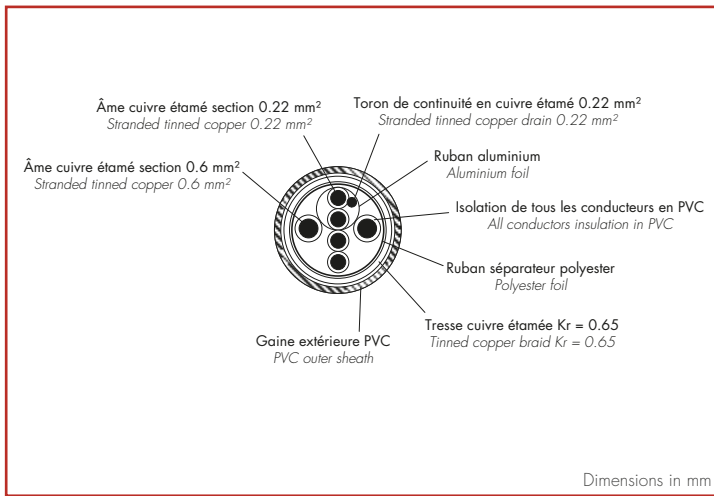
Associated Electronics

Accessories...

# ANALOG CABLE

## Analog load cells connection

- 6 shielded wires analog connection
- Black PVC outer sheath
- Outer jacket diameter 7.1 mm
- Complete insulation of measuring signal
- Shielded by aluminum foil and tinned copper braid
- Available in blue outer sheath for use in hazardous areas
- Anti-rodent stainless steel shielded version



+ Excit.: Brown | + Sign.: Yellow | - Sign.: White | - Excit.: Green | + Sense: Grey | - Sense: Pink

P/N	Designation	Cn	V <sub>min.</sub>	DC
	<b>Standard cable for connection analog j-box to electronics</b>			
825810	6 COND. SHIELDED CABLE Ø 7.1 MM (per metre, packaging to be confirmed)			R4
	Price per metre for length < 100 m			
	Price per metre for length >= 100 m et < 300 m			
	Price per metre for length >= 300 m			
	<b>"AR" (Anti-Rodent) shielded cable for connection analog j-box to electronics</b>			
825817	6 COND. DOUBLE SHIELDED CABLE Ø 7.1 MM (per metre, packaging to be confirmed)			R4
	Price per metre for length < 100 m			
	Price per metre for length >= 100 m et < 300 m			
	Price per metre for length >= 300 m			
	<b>Blue cable for connection analog j-box to zener barriers in hazardous areas</b>			
825812	6 COND. SHIELDED CABLE Ø 7.1 MM BLUE (per metre, packaging to be confirmed)			R4
	Price per metre for length < 100 m			
	Price per metre for length >= 100 m et < 300 m			
	Price per metre for length >= 300 m			

FS: rated capacity / v min = minimal interval (according to cert. OML R60) / C.E. = Combined error in % of Cn / DC = Code put back







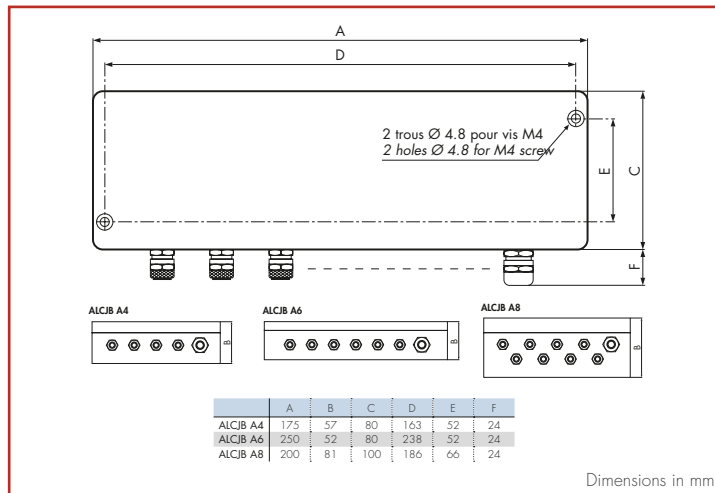
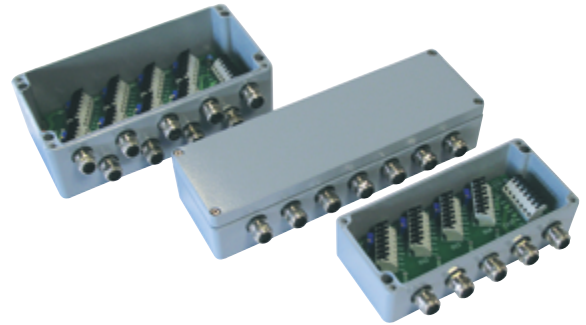




# ALCJB-A

## 4, 6, 8 analog sensors

- Junction box for 4/6 wire analog load cells
- Painted aluminum box, IP65 protection
- Versions for 4, 6, 8 load cells wiring
- Corner balancing by potentiometers
- Tool free connection by spring clamps
- Over-voltage protection in option



Protection level: IP65  
 Compensated temperature range: -40 ... +60°C  
 Cable gland number: 4, 6 or 8 input, 1 output  
 Cable gland type: nickel-plated brass  
 in: Ø 4 ... 8 mm  
 out: Ø 5 (ATEX: 6) ... 10 mm  
 Corner balancing: potentiometer 10 Ω or resistance  
 Warranty: 1 year

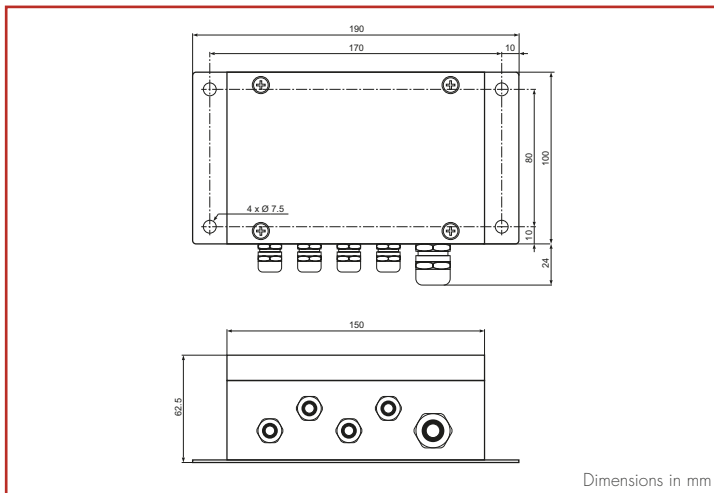
P/N	Designation	Cn	V <sub>min.</sub>	DC
<b>NON ATEX COMPATIBLE versions</b>				
803040	JUNCTION BOX ALCJB-A4			R4
803042	JUNCTION BOX ALCJB-A6			R4
803043	JUNCTION BOX ALCJB-A8			R4
<b>Overvoltage protection version NON ATEX COMPATIBLE</b>				
803044	JUNCTION BOX ALCJB-A8 GDT			R4
<b>ATEX COMPATIBLE versions</b>				
803050	JUNCTION BOX ALCJB-A4 (test/markings to be added)			R4
803052	JUNCTION BOX ALCJB-A6 (test/markings to be added)			R4
803053	JUNCTION BOX ALCJB-A8 (test/markings to be added)			R4
<b>BOARD ONLY version</b>				
803054	ALCJB-A4 BOARD			R4
803055	ALCJB-A6 BOARD			R4
803056	ALCJB-A8 BOARD			R4
803057	ALCJB-A8 GDT BOARD			R4
<b>Options:</b>				
850262	"IS" TEST ALCJB ATEX/IECEx - Ⓢ II 1 G/D, Ex ia IIC T6 Ga, Ex ia IIC T80°C Da, IP6X, -40°C < Ta < +40°C (zones gaz 0/1/2, dust 20/21/22)			R2
850275	TEST "mode n" ALCJB ATEX/IECEx - Ⓢ II 3 G, Ex nA IIC T6 Gc, -40°C < Ta < +40°C (zone 2)			R2
850277	MARKING "DUST" ALCJB ATEX/IECEx - Ⓢ II 2 D, Ex tb IIC T80°C Db, IP6X, -40°C < Ta < +40°C (zones dust 21/22)			R2

FS: rated capacity / v min = minimal interval (according to cert. OIML R60) / C.E. = Combined error in % of Cn / DC = Code put back

# ALCJB-X4

## 4 analog sensors inputs

- Junction box for 4/6 wire analog load cells
- Stainless steel box, IP65 protection
- 4 load cells connection
- Corner adjustment by potentiometers
- Connection by spring clamps
- Board version with DIN Rail supports (see ALCJB-D4)



Protection level: IP65  
 Compensated temperature range: -40 ... +60°C  
 Cable gland number: 4 input, 1 output  
 Cable gland type: nickel-plated brass  
 in: Ø 2.5 (ATEX: 4) ... 7 mm  
 out: Ø 6 (ATEX: 7) ... 11.5 mm  
 Warranty: 1 year

P/N	Designation	Cn	V <sub>min.</sub>	DC
803041	Stainless steel version NON ATEX COMPATIBLE JUNCTION BOX ALCJB-X4			R4
803854	Stainless steel version ATEX COMPATIBLE JUNCTION BOX ALCJB-X4 (test/marking to be added)			R4
850262	Options: "IS" TEST ALCJB ATEX/IECEx - Ⓢ II 1 G/D, Ex ia IIC T6 Ga, Ex ia IIIC T80°C Da, IP6X, -40°C < Ta < +40°C (zones gaz 0/1/2, dust 20/21/22)			R2
850275	TEST "mode n" ALCJB ATEX/IECEx - Ⓢ II 3 G, Ex nA IIC T6 Gc, -40°C < Ta < +40°C (zone 2)			R2
850277	MARKING "DUST" ALCJB ATEX/IECEx - Ⓢ II 2 D, Ex Ib IIIC T80°C Db, IP6X, -40°C < Ta < +40°C (zones dust 21/22)			R2

FS: rated capacity / v min = minimal interval | according to cert. OIML R601 / C.E. = Combined error in % of Cn / DC = Code put back









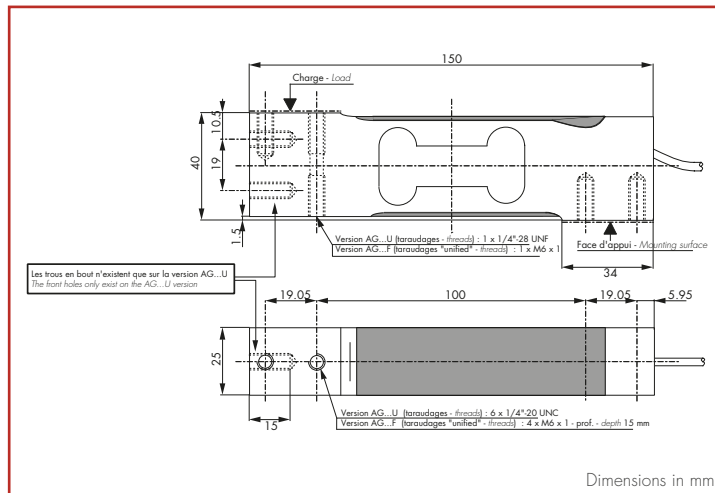
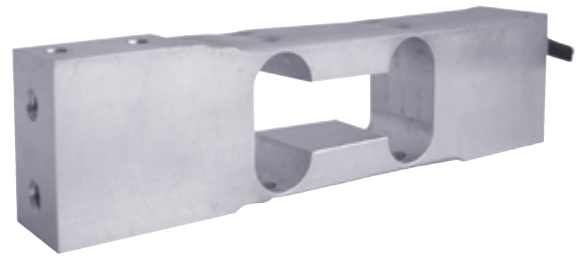
After Sales load cells

# AG C3 U

5 kg ... 100 kg



- FOR SPARE PART ONLY



Signal at FS:  $2 \text{ mV/V} \pm 10 \%$   
 Combined error:  $\pm 0.017 \%$  FS  
 Impedance (in/out):  $410 \Omega \pm 15 / 350 \Omega \pm 5$   
 Compensated temperature range:  $-10 \dots +40^\circ\text{C}$   
 Platform size: up to  $400 \times 400 \text{ mm}$   
 Cable/length: 6 shielded wires / 3 m  
 Warranty: 1 year

+ Excit.: Brown | + Sign.: Yellow | - Sign.: White | - Excit.: Green | + Sense: Grey | - Sense: Pink

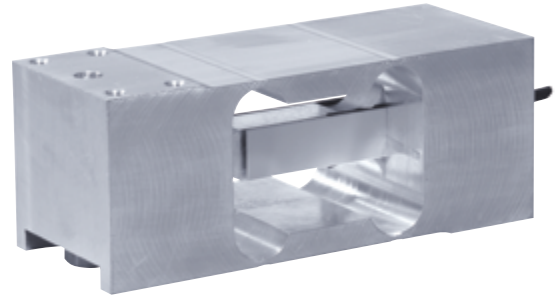
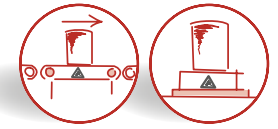
Replaces: TH 1040/1042, HBM SP4, RT642, Celtron LOC, CAS BCA

P/N	Designation	Cn	V <sub>min.</sub>	DC
400748	LOAD CELL AG2.5 C2 NH 3e U 3m (end of stock)	2.5 kg	1 g	R1
<b>Approved versions OIML C3, Y = 5 000</b>				
400711	LOAD CELL AG5 C3 SH 5e U (end of stock)	5 kg	1 g	R1
400721	LOAD CELL AG10 C3 SH 5e U (end of stock)	10 kg	2 g	R1
400661	LOAD CELL AG30 C3 SH 5e U (end of stock)	30 kg	6 g	R1
400671	LOAD CELL AG50 C3 SH 5e U (end of stock)	50 kg	10 g	R1
400681	LOAD CELL AG75 C3 SH 5e U (end of stock)	75 kg	15 g	R1
400691	LOAD CELL AG100 C3 SH 5e U (end of stock)	100 kg	20 g	R1
<b>Options:</b>				
850322	SIGNAL PAIRING BY 0.5 % FOR SINGLE POINT LOAD CELLS (subject to stock availability of standard products)			R1
850203	OPTIONAL PROTECTIVE COATING			R1
850272	"SI" TEST FOR LOAD CELLS ATEX & IECEx - Ⓢ II 1 G/D, Ex ia IIC T6 Ga, Ex ia IIIC T80°C Da, IP6X, -20°C < Ta < +60°C (zone 0/20)			R2
850273	"n" TEST FOR LOAD CELLS ATEX & IECEx - Ⓢ II 3 G, Ex nA IIC T6 Gc, -20°C < Ta < +60°C (zone 2)			R2
850274	"DUST" MARKING FOR LOAD CELL ATEX & IECEx - Ⓢ II 1 D, Ex Ia IIIC T125°C Da, IP6X, -20°C < Ta < +60°C (zones 20)			R2
850278	MARKING "FM" FOR LOAD CELLS CERTIFIED TO FM HAZLOC I.S., CLI, II, III / DIV 1 / GP ABCDEFG; N.I., CLI, II, III / DIV 2 / GP ABCDEFG; NIFV			R2

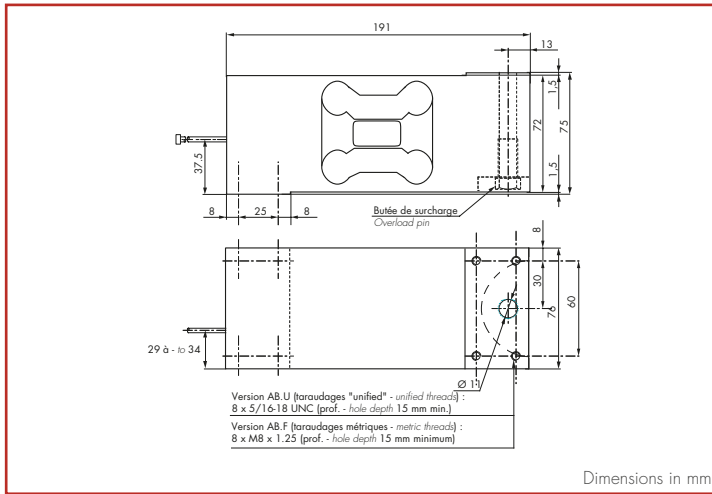
FS: rated capacity / v min = minimal interval (according to cert. OIML R60) / C.E. = Combined error in % of Cn / DC = Code put back

# AB

## 50 kg ... 500 kg



- FOR SPARE PART ONLY



Signal at FS: 2 mV/V ±10 %  
 Combined error: ±0.017 %FS  
 Impedance (in/out): 410 Ω ±20 / 350 Ω ±5  
 Compensated temperature range: -10 ... +40 °C  
 Platform size: 800 x 800 mm  
 Cable/length: 6 shielded wires / 3 m  
 Warranty: 1 year

+ Excit.: Brown | + Sign.: Yellow | - Sign.: White | - Excit.: Green | + Sense: Grey | - Sense: Pink

Replaces: TH 1250, HBM PW12/PW12B, RT 652, Celtron LOC, CAS BCM, Sensortronics 60060

P/N	Designation	Cn	V <sub>min.</sub>	DC
<b>Approved versions OIML C3, Y = 10 000</b>				
400844	LOAD CELL AB50 C3 SH 10e F	50 kg	5 g	R2
400845	LOAD CELL AB75 C3 SH 10e F	75 kg	7.5 g	R2
400846	LOAD CELL AB100 C3 SH 10e F	100 kg	10 g	R2
400847	LOAD CELL AB150 C3 SH 10e F	150 kg	15 g	R2
401014	LOAD CELL AB200 C3 SH 10e F	200 kg	20 g	R2
400849	LOAD CELL AB250 C3 SH 10e F	250 kg	25 g	R2
400850	LOAD CELL AB300 C3 SH 10e F	300 kg	30 g	R2
400851	LOAD CELL AB500 C3 SH 10e F	500 kg	50 g	R2
Versions ABxxx C5 SH 10e (5 000 d OIML): Consult us				
<b>Option:</b>				
850278	MARKING "FM" FOR LOAD CELLS CERTIFIED TO FM HAZLOC I.S., CL I, II, III / DIV 1 / GP ABCDEFG	N.I., CL I, II, III / DIV 2 / GP ABCDEFG; NIFV		R2

FS: rated capacity / v min = minimal interval [according to cert. OIML R601 / C.E. = Combined error in % of Cn / DC = Code put back







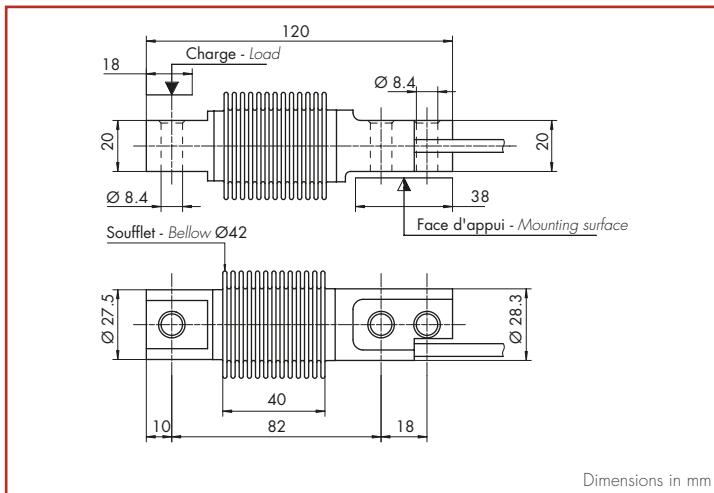


# F60X C3

5 kg ... 500 kg



- FOR SPARE PART ONLY



+ Excit.: Red | + Sign.: Black | - Sign.: Blue | - Excit.: White



Signal at FS: 2 mV/V ±0.1 %  
 Combined error: ±0.017 %FS  
 Impedance (in/out): 385 Ω ±20 / 350 Ω ±5  
 Compensated temperature range: -10 ... +40°C  
 Overload limit: 150 %Emax (max.: 200 %)  
 Cable/length: 4 shielded wires / 3 m  
 Warranty: 3 years

Replaces: HBM Z6, TH 355, RT SHB, SCAIME F30X/F60T, Télémécanique SM3PX, MT MTB, PRECIA FA3000i, Master K FLX, Flintec SB8

P/N	Designation	Cn	v <sub>min.</sub>	DC
<b>Approved versions OIML C3, Y = 10 000</b>				
402452	LOAD CELL F60X10 C3 CH 10e TR (4-wire)	10 kg	1 g	R1
402462	LOAD CELL F60X20 C3 CH 10e TR (4-wire)	20 kg	2 g	R1
402472	LOAD CELL F60X50 C3 CH 10e TR (4-wire)	50 kg	5 g	R1
402482	LOAD CELL F60X100 C3 CH 10e TR (4-wire)	100 kg	10 g	R1
402492	LOAD CELL F60X200 C3 CH 10e TR (4-wire)	200 kg	20 g	R1
402514	LOAD CELL F60X300 C3 CH 10e TR (4-wire)	300 kg	30 g	R1
402515	LOAD CELL F60X500 C3 CH 10e TR (4-wire)	500 kg	50 g	R1
<b>Options:</b>				
850320	Optional 2mV/V ± 0.06 % signal alignment for F60X			R1
850272	"SI" TEST FOR LOAD CELLS ATEX & IECEx - Ⓢ II 1 G/D, Ex ia IIC T6 Ga, Ex ia IIIC T80°C Da, IP6X, -20°C < Ta < +60°C (zone 0/20)			R2
850273	"n" TEST FOR LOAD CELLS ATEX & IECEx - Ⓢ II 3 G, Ex nA IIC T6 Gc, -20°C < Ta < +60°C (zone 2)			R2
850274	"DUST" MARKING FOR LOAD CELL ATEX & IECEx - Ⓢ II 1 D, Ex ia IIIC T125°C Da, IP6X, -20°C < Ta < +60°C (zones 20)			R2
850278	MARKING "FM" FOR LOAD CELLS CERTIFIED TO FM HAZLOC I.S., CL I, II, III / DIV 1 / GP ABCDEFG; N.I., CL I, II, III / DIV 2 / GP ABCDEFG; NIFW			R2
<b>Related products:</b>				
	MTPFA			
	LOAD FOOT LFC 500 & LFD 500			
	RUBBERKIT FX			
	STABIFLEX F & FX			

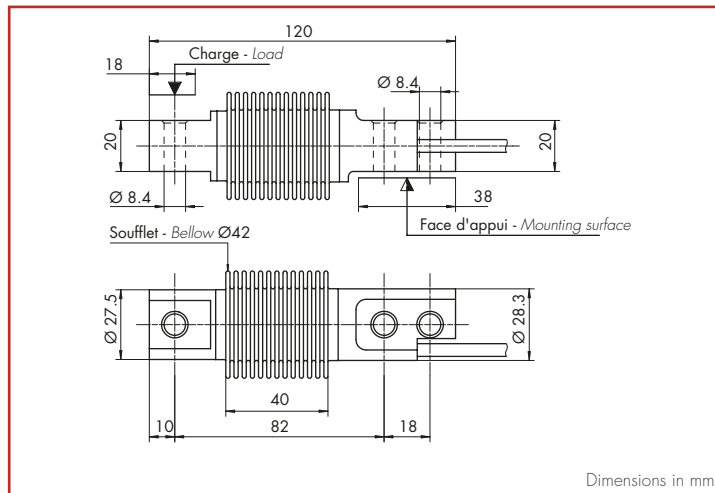
FS: rated capacity / v<sub>min</sub> = minimal interval (according to cert. OIML R601) / C.E. = Combined error in % of Cn / DC = Code print back

# F60X C6

10 kg ... 500 kg



- FOR SPARE PART ONLY



Dimensions in mm

+ Excit.: Red | + Sign.: Black | - Sign.: Blue | - Excit.: White



Signal at FS: 2 mV/V  $\pm 0.1\%$   
 Combined error:  $\pm 0.008\%$  FS  
 Impedance (in/out): 385  $\Omega \pm 20$  / 350  $\Omega \pm 5$   
 Compensated temperature range: -10 ... +40°C  
 Overload limit: 150 % E<sub>max</sub> (max.: 200 %)  
 Cable/length: 4 shielded wires / 3 m  
 Warranty: 3 years

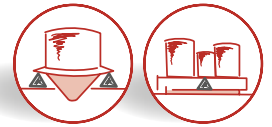
Replaces: HBM Z6, TH 355, RT SHB, SCAIME F30X/F60T, Télémécanique SM3PX, MT MTB, PRECIA FA3000i, Master K FLX, Flintec SB8

P/N	Designation	Cn	V <sub>min.</sub>	DC
<b>Approved versions OIML C6, Y = 10 000</b>				
402450	LOAD CELL F60X10 C6 CH 10e TR (4-wire)	10 kg	1 g	R1
402460	LOAD CELL F60X20 C6 CH 10e TR (4-wire)	20 kg	2 g	R1
402470	LOAD CELL F60X50 C6 CH 10e TR (4-wire)	50 kg	5 g	R1
402480	LOAD CELL F60X100 C6 CH 10e TR (4-wire)	100 kg	10 g	R1
402490	LOAD CELL F60X200 C6 CH 10e TR (4-wire)	200 kg	20 g	R1
402526	LOAD CELL F60X300 C6 CH 10e TR (4-wire)	300 kg	30 g	R1
402527	LOAD CELL F60X500 C6 CH 10e TR (4-wire)	500 kg	50 g	R1
<b>Options:</b>				
850320	Optional 2mV/V $\pm 0.06\%$ signal alignment for F60X			R1
850272	"SI" TEST FOR LOAD CELLS ATEX & IECEx - Ⓢ II 1 G/D, Ex ia IIC T6 Ga, Ex ia IIIC T80°C Da, IP6X, -20°C < Ta < +60°C (zone 0/20)			R2
850273	"n" TEST FOR LOAD CELLS ATEX & IECEx - Ⓢ II 3 G, Ex nA IIC T6 Gc, -20°C < Ta < +60°C (zone 2)			R2
850274	"DUST" MARKING FOR LOAD CELL ATEX & IECEx - Ⓢ II 1 D, Ex ia IIIC T125°C Da, IP6X, -20°C < Ta < +60°C (zones 20)			R2
850278	MARKING "FM" FOR LOAD CELLS CERTIFIED TO FM HAZLOC I.S., CL I, II, III / DIV 1 / GP ABCDEFG; N.I., CL I, II, III / DIV 2 / GP ABCDEFG; NIFW			R2
<b>Related products:</b>				
	MTPFA			
	LOAD FOOT LFC 500 & LFD 500			
	RUBBERKIT FX			
	STABIFLEX F & FX			

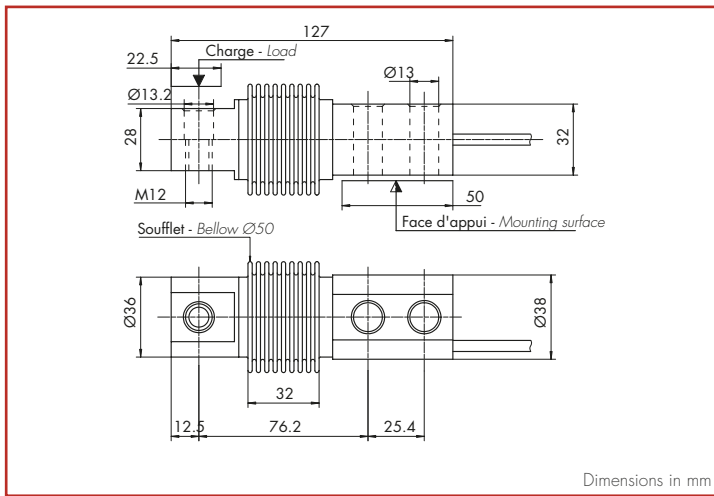
FS: rated capacity / v min = minimal interval (according to cert. OIML R601) / C.E. = Combined error in % of Cn / DC = Code put back

# F60X 2T

0.5 t ... 2 t



- FOR SPARE PART ONLY



Dimensions in mm

+ Excit.: Red | + Sign.: Black | - Sign.: Blue | - Excit.: White



Signal at FS: 2 mV/V  $\pm 0.1\%$   
 Combined error:  $\pm 0.017\%$  FS  
 Impedance (in/out):  $385 \Omega \pm 20 / 350 \Omega \pm 5$   
 Compensated temperature range:  $-10 \dots +40^\circ\text{C}$   
 Overload limit: 150 % E<sub>max</sub> (max.: 200 %)  
 Cable/length: 4 shielded wires / 5 m  
 Warranty: 3 years

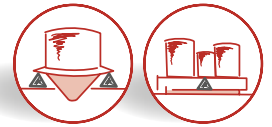
Replaces: Télémécanique SM3PX, Master K FFX

P/N	Designation	C <sub>n</sub>	V <sub>min.</sub>	DC
<b>Approved versions OIML C3, Y = 10 000</b>				
402516	LOAD CELL F60X0.5t C3 CH 10e	500 kg	50 g	R2
402517	LOAD CELL F60X1t C3 CH 10e	1 000 kg	100 g	R2
402518	LOAD CELL F60X2t C3 CH 10e	2 000 kg	200 g	R2
<b>Accessories:</b>				
803863	STABIFLEX-F 2t EVO (compression kit with ball/cups for F60X 0.5...2t, zinc plated)			R2
803864	STABIFLEX-F 2t X EVO (compression kit with ball/cups for F60X 0.5...2t, stainless steel)			R2
803874	STABIFLEX-F 2t EVO + 1 STABILIZER (with stabilizer mounted in factory)			R2
803875	STABIFLEX-F 2t X EVO + 1 STABILIZER (with stabilizer mounted in factory)			R2
803859	STAINLESS STEEL STABILIZER FOR STABIFLEX 2t EVO			R2
<b>Options:</b>				
850278	MARKING "FM" FOR LOAD CELLS CERTIFIED TO FM HAZLOC I.S., CL I, II, III / DIV 1 / GP ABCDEFG; N.I., CL I, II, III / DIV 2 / GP ABCDEFG; NIFW			R2
SP/OL	ATEX TEST OR MARKING FOR AFTERSALES LOAD CELLS			

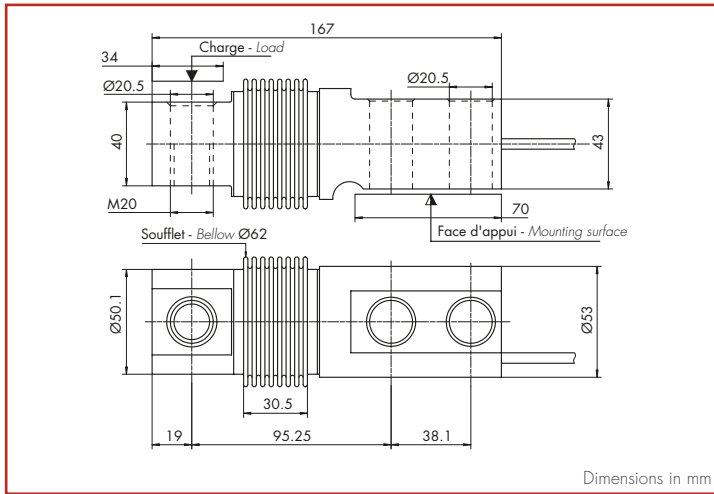
FS: rated capacity / v min = minimal interval (according to cert. OIML R601) / C.E. = Combined error in % of C<sub>n</sub> / DC = Code put back

# F60X 5T

5 t



- FOR SPARE PART ONLY



+ Excit.: Red | + Sign.: Black | - Sign.: Blue | - Excit.: White



Signal at FS: 2 mV/V  $\pm$ 10 %  
 Combined error:  $\pm$ 0.017 %FS  
 Impedance (in/out): 385  $\Omega$   $\pm$ 20 / 350  $\Omega$   $\pm$ 5  
 Compensated temperature range: -10 ... +40°C  
 Overload limit: 150 %E<sub>max</sub> (max.: 200 %)  
 Cable/length: 4 shielded wires / 5 m  
 Warranty: 3 years

Replaces: Télémécanique SM3PX, Master K FFX

P/N	Designation	C <sub>n</sub>	V <sub>min.</sub>	DC
<b>Approved version OIML C3, Y = 10 000</b>				
402519	LOAD CELL F60X5t C3 10e	5 000 kg	500 g	R2
<b>Accessories:</b>				
803865	STABIFLEX-F 5t EVO (compression kit with ball/cups for F60X 5t, zinc plated)			R2
803866	STABIFLEX-F 5t X EVO (compression kit with ball/cups for F60X 5t, stainless steel)			R2
803876	STABIFLEX-F 5t EVO + 1 STABILISATEUR (with stabilizer mounted in factory)			R2
803877	STABIFLEX-F 5t X EVO + 1 STABILISATEUR (with stabilizer mounted in factory)			R2
803860	STAINLESS STEEL STABILIZER FOR STABIFLEX 5t			R2
<b>Options:</b>				
850278	MARKING "FM" FOR LOAD CELLS CERTIFIED TO FM HAZLOC I.S., CL I, II, III / DIV 1 / GP ABCDEFG; N.I., CL I, II, III / DIV 2 / GP ABCDEFG; NIFW			R2
SP/OL	ATEX TEST OR MARKING FOR AFTERSALES LOAD CELLS			

FS: rated capacity / v min = minimal interval (according to cert. OIML R601) / C.E. = Combined error in % of C<sub>n</sub> / DC = Code put back















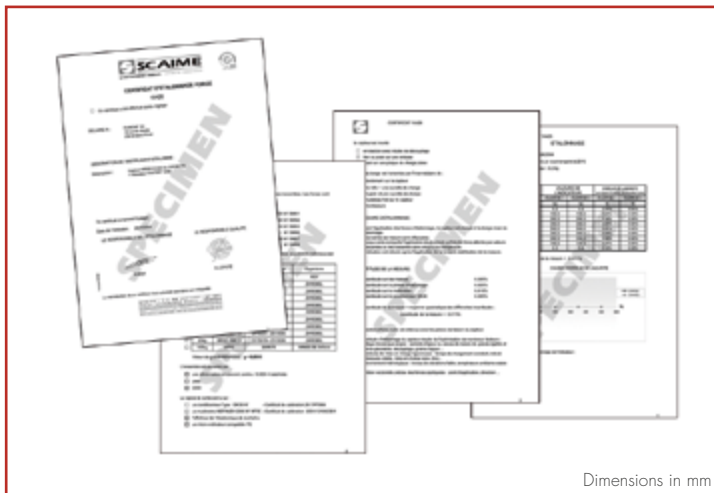


**Escalme**  
Services

# CALIBRATION

## of a weighing chain

- Mostly used in case of weighing systems to be installed on sites where calibration operation is not possible (heavy duty silos) or for which a high accuracy is requested
- Not available for "legal for trade applications"
- Calibration means connected to the national standards
- Guarantee of procedures certified under ISO9001 system



- Calibration of a weighing chain:
- from 0-500 g to 0-6 t in tension (per load cell)
  - from 0-500 g to 0-20 t in compression (per load cell)
  - corner adjustment available up to 20 t (per load cell)
  - measurement uncertainty:  $< \pm 0.02$  %FS

P/N	Designation	Cn	v <sub>min.</sub>	DC
	Calibration load cell in 5 points, 2 x load/unload in tension OR compression (no adjustment operation included)			
	Carried out in tension (max. 6 t) or compression (max. 20 t)			
850020	Calibration 1 load cell F.S. = 1 kg ... 200 kg			R5
850000	Calibration 1 load cell F.S. = > 200 kg ... 5 t			R5
850010	Calibration 1 load cell F.S. = > 5 t ... 20 t			R5
	Adjustment + calibration weighing chain 1 load cell in 5 points, 2 x load/unload in tension OR compression			
	Carried out in tension (max. 6 t) or compression (max. 20 t)			
850080	Adjustment + calibration 1 load cell F.S. = 1 kg ... 200 kg			R5
850060	Adjustment + calibration 1 load cell F.S. = > 200 kg ... 5 t			R5
850070	Adjustment + calibration 1 load cell F.S. = > 5 t ... 20 t			R5
	Adjustment + calibration weighing chain 2 to 4 load cells in parallel in 5 points, 2 load/unload in compression			
	Electronics and junction box adjustment + calibration + calibration report			
850085	Adjustment + calibration weighing chain 2 ... 4 load cells F.S. = 1 kg ... 200 kg			R5
850065	Adjustment + calibration weighing chain 2 ... 4 load cells F.S. = > 200 kg ... 5 t			R5
850075	Adjustment + calibration weighing chain 2 ... 4 load cells F.S. = > 5 t ... 20 t			R5
850556	Adjustment + calibration weighing chain 5 ... 8 load cells F.S. = > 200 kg ... 5 t			R5
850557	Adjustment + calibration weighing chain 5 ... 8 load cells F.S. = > 5 t ... 20 t			
850181	Electrical adjustment of an indicator/transmitter with simulator			R5
850170	Certificate of conformity to original order (according to EN 9163 : 2023)			-
850430	Marking & dec. of conformity UKCA			-
	<b>Options:</b>			
	Extra cost for any additional measurement point			
	Extra cost for indicator/transmitter not from the SCAIME range			
	Additional cost for managing/editing/translating certificates			

FS: rated capacity / v<sub>min.</sub> = minimal interval (according to cert. OIML R60) / C.E. = Combined error in % of Cn / DC = Code put back







# Spare Parts...

P/N	Designation	DC
<b>For AVS and DVS LOAD CELL:</b>		
640105	KIT OF 2 FKM SEALS FOR AVS	R1
640102	KIT OF 2 FKM SEALS FOR DVS	R1
<b>For CA40X 5-60t LOAD CELL:</b>		
203305	UPPER PLATE CA40X - Upper plate, O-ring not included	R3
203306	BASE PLATE CA40X - Stainless steel base plate with anti-rotation, no O-ring included	R3
004458	O-RING 37.3X3.6 FOR CA40X PLATES - O-ring for upper and base plate	R3
<b>For C50NX 25-50t LOAD CELL:</b>		
203311	BASE PLATE C50X 25T - Stainless steel base plate for C50ANX 10-25t, O-ring not included	R3
003343	BASE PLATE C50A 50T - Stainless steel base plate for C50ANX 50t, O-ring not included	R3
004402	O-RING FOR C50 PLATES - O-ring for base plate	R3
<b>For STABIFLEX 500 KITS STD or SS:</b>		
870012	SET OF BALL/CUP FOR STABIFLEX-F 500	R3
<b>For STABIFLEX 2T KITS STD or SS:</b>		
870013	SET OF BALL/CUP FOR STABIFLEX-F 2T	R3
870014	SET OF BALL/CUP FOR STABIFLEX-SK 2T	R3
203001	HARDENED SS-STEEL SHIM FOR STABIFLEX 2T	R3
<b>For STABIFLEX 5T KITS STD or SS:</b>		
870015	SET OF BALL/CUP FOR STABIFLEX-F 5T	R3
870016	SET OF BALL/CUP FOR STABIFLEX-SK 5T	R3
003273	HARDENED SS-STEEL SHIM FOR STABIFLEX 5T	R3

DC = Code per back

# Spare Parts...

P/N	Designation	DC
<b>For JUNCTION BOXES:</b>		
803054	BOARD ALCJB-A4	R4
006618	BOARD ALCJB-X4	R4
803055	BOARD ALCJB-A6	R4
803056	BOARD ALCJB-A8	R4
803057	BOARD ALCJB-A8 GDT	R4
006617	BOARD DLJB-A8 GDT	R4
<b>For IPC20 INDICATOR:</b>		
632217	EXTERNAL POWER SUPPLY FOR IPC20 STD - Power supply bloc	R4
632218	EXTERNAL POWER SUPPLY IPC20 IND - External battery charger with specific connector	R4
632219	INTERNAL BATTERY NI-MH FOR IPC20 IND	R4
NC	CPU BOARD FOR IPC20	R4
632085	FRONT PANEL FOR IPC20 - Plastic housing front panel with keyboard	R4
<b>For IPC50 INDICATOR:</b>		
632108	INTERNAL POWER SUPPLY 220V FOR IPC50/IPE100	R4
NC	INTERNAL BATTERY 6V/4.5Ah FOR IPC/IPE	R4
632117	IPC50 CPU CARDS	R4
632079	IPC50 PLBOX FRONT PANEL - Front panel in plastic enclosure with keypad	R4
632080	IPC50 SSBOX FRONT PANEL - Stainless steel front panel with keypad	R4
NC	ADHESIVE RING FOR IPE50 SSBOX - Adhesive seal for IPC50 in stainless steel housing	R4
<b>For IPE50 INDICATOR:</b>		
632074	CPU BOARD FOR IPE50 XLR	R4
632089	CPU BOARD FOR IPE50 XLI	R4
632075	DISPLAY BOARD FOR IPE50 XLR/XLI	R4
632131	FRONT PANEL FOR IPE50 XLR/XLI - Includes imprint, plexiglass and ring	R4
NC	FRONT PANEL IMPRINT FOR IPE50 XLR/XLI - Imprint and plexiglass only	R4
NC	ADHESIVE RING FOR IPE50 XLR/XLI	R4
632132	INTERNAL POWER SUPPLY BLOC FOR IPE50 XLR/XLI	R4
<b>For IPE100 INDICATOR:</b>		
632108	INTERNAL POWER SUPPLY 220V FOR IPC50/IPE100	R4
NC	INTERNAL BATTERY 6V/4.5Ah FOR IPC/IPE	R4
632082	CPU BOARD FOR IPE100	R4
632083	DISPLAY BOARD FOR IPE100	R4
632090	SURGE PROTECTOR BOARD FOR IPE100	R4
632078	FRONT PANEL FOR IPE100 - Includes keyboard	R4
632068	1.5M RS232 CABLE WITH RJ45/DB9 FOR IPC50/IPE100 - For connection to a PC	R4
632069	0.4M KEYBOARD CABLE WITH MINI-DIN FOR IPE100 - For connection of a standard keyboard to an IPE100	R4
<b>For TP200 PRINTER:</b>		
632115	BATCH OF 50 PAPER ROLLS FOR TP200 PRINTER - Thermal paper rolls	R4

Sub-assemblies or accessories sold new appear in the standard product catalogue but can be ordered as spare parts at the same price.

DC = Code part back



## GENERAL CONDITIONS OF SALE BETWEEN PROFESSIONALS

### 1. ORDER - FORMATION OF CONTRACT

The General Conditions of Sale and the product catalogue form an indivisible whole, which the CUSTOMER accepts by acknowledging having read and understood this document. Unless specifically agreed and notified in writing, these conditions are applicable to all transactions, regardless of what may be stated on the orders which are addressed to SCAIME or in the CUSTOMER's general conditions of purchase.

These conditions may only be amended or supplemented by SCAIME's special conditions of sale or written offer. Any amendment made to these conditions of sale without the express agreement of SCAIME shall be deemed unwritten. The contractual documents constituting the contract binding the parties are:

1. SCAIME's Special Conditions of Sale
2. SCAIME's offer, including the price offer and its provisions
3. SCAIME's General Conditions of Sale
4. The CUSTOMER's purchase orders
5. The CUSTOMER's specifications sheet and its provisions

An order is only accepted after the company SCAIME has sent confirmation of receipt of order to the CUSTOMER in which the delivery time is stated. Prices are given in Euros based on the economic conditions on their date of issue. Beyond the time provided in the quotes, these prices may be subject to adjustment.

The minimum order amount is set at €80 ex VAT. Any cancellation of order by the CUSTOMER taking place after SCAIME has issued the confirmation of receipt of order may result in cancellation charges, or return charges if the products have already been delivered. Cancellation charges are intended to cover expenses already incurred by SCAIME and processing time.

### 2. PACKAGING AND CARRIAGE

Packaging and carriage costs are calculated based on the carrier rates in force and according to the services requested (please consult SCAIME).

### 3. PRICE

Unless otherwise agreed, SCAIME's prices are given in Euros, deemed net ex VAT, not including packaging and carriage costs, ex-works Juvigny (F-74100). Packaging, shipping and customs charges are to be paid by the customer and may be invoiced as specific items.

### 4. CLAUSE RELATED TO SHIPPING AND TRANSFER OF RISKS

Unless otherwise agreed, products are delivered to the customer by the carrier chosen by SCAIME, according to the incoterm DAP. Consequently, delivery is deemed effective and risks transferred to the CUSTOMER upon delivery of the products (non-duty paid in the case of export) to the point defined by the latter. Regardless of the means of carriage and payment applied, it is the responsibility of the recipient to unpack the goods and express any necessary reservations to the carriers, and to inform SCAIME thereof within 48 hours of receipt of the goods. After such time, claims related to carriage will no longer be admissible.

The CUSTOMER undertakes to insure the goods against any risks they may incur and pose during their delivery. Where the CUSTOMER assumes responsibility for carriage, the transfer of risk is effective after the goods have been loaded into the carrier's vehicle at SCAIME's premises.

### 5. PAYMENT

Unless otherwise agreed, and only after agreement signified by the opening of a credit line by SCAIME's finance department, products are billed on the day of dispatch with a due date of 30 days end of month. In specific cases where a credit line is not opened, orders will be subject to cash payment.

No discount is given for early payment. Failure to pay by the agreed due date entitles SCAIME to suspend any delivery. For France, in the case of payment by bills of exchange, the latter must be returned accepted within 10 days of receipt of invoice. Special products or studies are subject to a 30 % instalment of the ex VAT amount of the quote, with a due date set by SCAIME according to the date specified in the pro forma invoice. The delivery time then runs as of receipt of this instalment.

### 6. DELIVERY TIME

Delivery times are given by way of indication and correspond to the date of dispatch of the products.

The date of dispatch agreed by SCAIME is that of the confirmation of receipt of order. It is the case however that this date of dispatch may be deferred in the event of non-payment of a previous invoice or in the event of the allocated credit limit having been exceeded.

Once the payment incident has been resolved, a new date will be set and indicated to the CUSTOMER.

### 7. LATE-PAYMENT PENALTIES

By express agreement, failure to pay by the due date, or any refusal to accept a bill of exchange, will lead, automatically and without the need for prior notification, to:

- application of a penalty calculated on the basis of the most recent refinancing rate of the ECB plus ten percentage points, in accordance with Law 2008-776 of 4 August 2008, without being lower than three times the applicable legal interest rate, and without prejudice to any damages;
- application of a fixed-sum penalty for recovery costs of €40 in accordance with Directive No. 2011/7/EU;
- suspension of SCAIME's services and guarantee, and notably suspension of subsequent deliveries;
- payment by way of penalty clause of a fixed and irreducible sum equal to 15 % of the amounts due.

### 8. GUARANTEE

**Peaceable possession guarantee:** since the CUSTOMER purchases at its own risk, SCAIME shall not be bound by any guarantee where the CUSTOMER's possession is challenged by third-party claims. SCAIME shall not be liable for reimbursement of cost.

**Hidden defects guarantee:** SCAIME is liable for hidden defects in sold goods under the conditions provided for in Articles 1641 et seq. of the Civil Code. The CLIENT may issue a request under the terms of the guarantee concerning hidden defects in sold goods.

**Contractual guarantee:** Unless specifically agreed in a special contract, the goods are guaranteed against any defect 1 year from date of invoice and 3 years from date of invoice for certain ranges of products defined by SCAIME in its offers.

This guarantee is applicable in SCAIME's premises, the goods being returned carriage paid after obtaining an "RMA" (Return Merchandise Authorisation form) from SCAIME's after-sales service department.

The guarantee is limited to bringing into conformity or exchanging the goods, with the exclusion of any compensation, including for loss of enjoyment due to non-use of the goods during the period of repair.

Repairs outside guarantee will be subject to an advance quote and shall only be dispatched after agreement from the CUSTOMER.

SCAIME does not under any circumstances accept "debit notes" issued by the purchaser corresponding to the value of the goods returned.

### 9. TAXES AND DUTIES

Invoices received by French customers are subject to VAT at the rate in force on the date of invoicing. Instalment requests, where applicable, are expressed before tax.

Tax-suspended sales for re-export shall only be accepted upon provision of a declaration from the relevant tax office.

### 10. RETENTION OF OWNERSHIP

The products remain under full ownership of SCAIME until complete payment of the agreed price. In the event of non-payment, SCAIME is entitled to demand the unpaid goods, and the Purchaser is required to return them immediately upon request.

However, the CUSTOMER has the right to sell to their own customers, as part of the normal operation of their business, goods bought from SCAIME which still remain under retention of ownership, on the condition of informing the sub-purchaser that the goods sold have not been paid in full to SCAIME and are therefore encumbered by a retention of ownership clause in favour of the latter.

### 11. FORCE MAJEURE

In the case of occurrence of any event of force majeure, such as a strike, lock-out, fire, flood, disruption or delay of raw materials, at any time in the process (order, manufacture, delivery), SCAIME's obligations shall be suspended throughout the duration of the event of force majeure as of occurrence of the event of force majeure. SCAIME shall not incur any liability and is under no obligation to repair damages suffered by the CUSTOMER due to non-performance or inadequate performance of all or part of its obligations due to this event of force majeure. If an event of force majeure lasts for a period exceeding 7 days, SCAIME may cancel the sale, without the CUSTOMER being entitled to any compensation, by sending the CUSTOMER a standard letter or e-mail. SCAIME reserves the right to retain any instalments already received on the date of occurrence of the event of force majeure.

### 12. TOOLS, SPECIAL EQUIPMENT, PROTOTYPES

Any contribution to the costs of creating tools, special equipment or prototypes which may be requested from the CUSTOMER does not entail transfer to the latter of physical ownership of the above or of the intellectual property rights related thereto, unless otherwise agreed in writing.

### 13. INTELLECTUAL PROPERTY - CONFIDENTIALITY

SCAIME retains the intellectual property rights for projects, studies, drawings, models and objects it produces or which are produced on its behalf. These may not be used without prior written authorisation.

Unless otherwise agreed, the CUSTOMER shall maintain confidentiality regarding SCAIME's written or oral information communicated to it directly or indirectly, including after the end of the contractual relationship.

### 14. SETTLEMENT OF DISPUTES

SCAIME and the CUSTOMER shall strive to settle their differences amicably.

Failing which, any dispute shall by express agreement fall under the exclusive competence of the Commercial Court (Tribunal de Commerce) in Thonon-les-Bains (F-74200) including in the case of multiple defendants and the introduction of third parties. The applicable law is French law.

Where the contract includes an international element, the Vienna Convention of 11 April 1980 on the international sale of goods (United Nations Convention on Contracts for the International Sale of Goods) shall also apply.

### 15. DIVISIBILITY

Should any one of the provisions contained herein be considered unlawful, void or inapplicable by virtue of a law, regulation, or court ruling, this provision alone shall be deemed unwritten, without affecting the other provisions contained herein, which shall remain fully in force.

### 16. PROTECTION OF PERSONAL DATA

Within the framework of the commercial relationship, SCAIME may collect and use personal data concerning the CUSTOMER's staff. The data collected relates to surnames, first names, email addresses, telephone numbers and job titles. The processing operations performed concern the different stages of the commercial relationship: offer, account creation, confirmation of receipt of order, delivery, invoicing, and any exchanges justified by the above. The processing of personal data has its legal basis in:

- the legitimate interest of the company when it pursues the following purposes:
  - prospecting and coordination;
  - management of relations with its customers and prospects;
  - organisation, registration and invitation to company events.
- execution of pre-contractual or contractual measures when it undertakes processing for the purposes of:
  - production, management and monitoring of its customer cases;
  - recovery.
- compliance with legal and regulatory obligations when it undertakes processing for the purposes of:
  - invoicing;
  - accounting.

In accordance with Article 13 of the General Data Protection Regulation of 27 April 2016 no. 2016/679, SCAIME undertakes not to use such data for any other purpose, and to protect it. By signing these General Conditions of Sale, the CUSTOMER accepts that SCAIME may collect and use such data throughout the entire duration of the commercial relationship plus 3 years for purposes of coordination and prospecting, without prejudice to obligations of conservation or prescription periods. For accounting purposes, this data is conserved for 10 years as of closure of the accounting year.

The data processed is sent to authorised people in the company, as well as its service providers.

Any employee of the CUSTOMER may exercise their right of access, rectification, erasure or limitation of processing, or obtain a copy of this data, by sending a request by email to the address: dpo@scaime.com or by post to the following address: SCAIME, 294 rue Georges Charpak, 74100 Juvigny, France.F Those concerned have the right to submit a complaint to CNIL (the French data protection agency).

I hereby acknowledge having read and understood these General Conditions of Sale.

CUSTOMER STAMP  
NAME, JOB TITLE AND SIGNATURE OF THE AUTHORISED PERSON  
DATE

# Our ORGANIZATION...

## France **HEADQUATEURS**

**1 FACTORY**

**2 SALES OFFICES**

**4 BUSINESS PARTNERS**



*An international presence, the strength of a global player !*



Headquarter : Technosite Altéa - 294, Rue Georges Charpak - 74100 JUVIGNY - FRANCE  
SCAIME SAS - 294, RUE GEORGES CHARPAK - CS 50501 - 74105 ANNEMASSE CEDEX - FRANCE  
Tél. : +33 (0)4 50 87 78 64 - [info@scaime.com](mailto:info@scaime.com) - [www.scaime.com](http://www.scaime.com)

Download all our documents on our website

