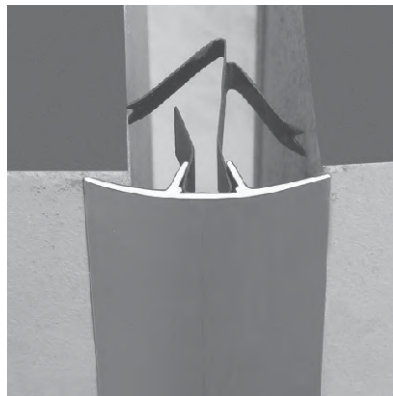
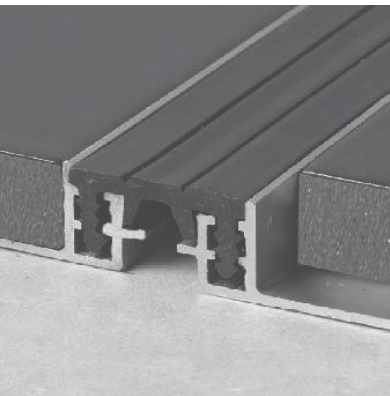


KIRK

STRUCTURAL

STRUCTURAL MOVEMENT JOINTS

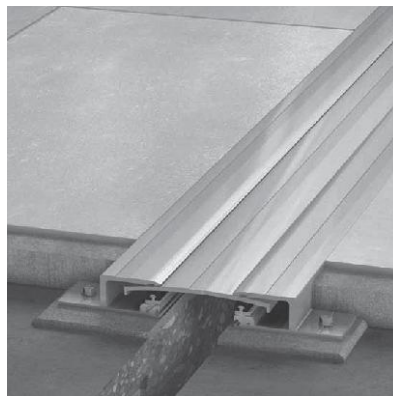
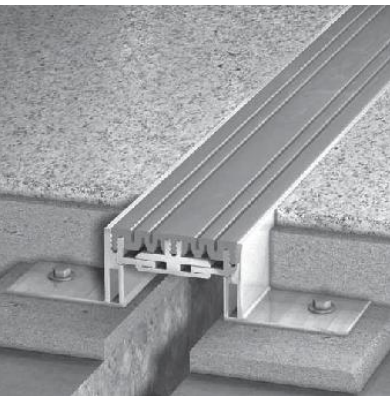


DETAILED PRODUCT INFORMATION AND TECHNICAL DATA AVAILABLE THROUGH KIRK MARKETING.





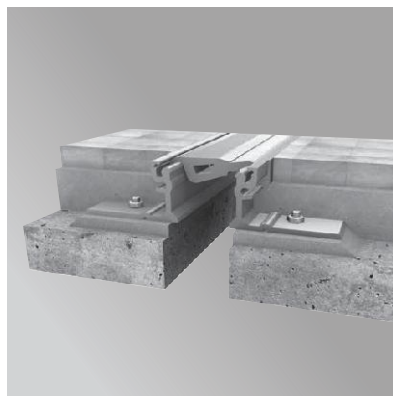
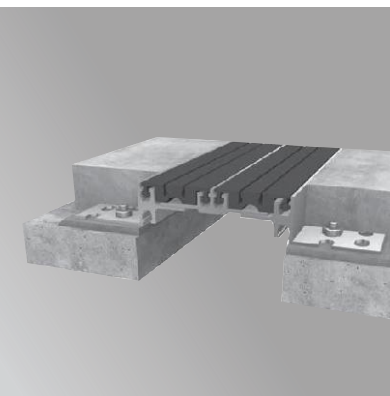

MADE IN SOUTH AFRICA

RUBBER STRUCTURAL JOINTS & COVERS
SOLD PER LENGTH.

MADE IN ENGLAND

RUBBER STRUCTURAL JOINTS, METAL STRUCTURAL JOINTS
& FIRE BARRIER JOINTS
SOLD PER METER.


MADE IN TURKEY

RUBBER STRUCTURAL JOINTS, WATER PROOF JOINTS
METAL STRUCTURAL JOINTS & CAR PARK JOINTS
SOLD PER METER.

INDEX:

- 1. RUBBER STRUCTURAL JOINTS (pages 2-4)
- 4. CAR PARK STRUCTURAL JOINTS (pages 9)

- 2. METAL STRUCTURAL JOINTS (pages 5-7)
- 5. WATER PROOF JOINTS (pages 10-11)

- 3. COVERS (pages 7-8)
- 6. FIRE BARRIER JOINTS (pages 12)



1. RUBBER STRUCTURAL JOINTS

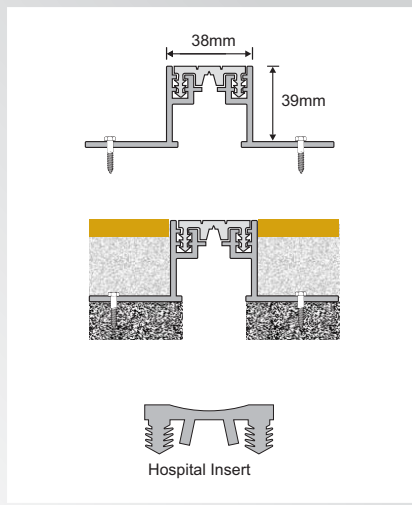
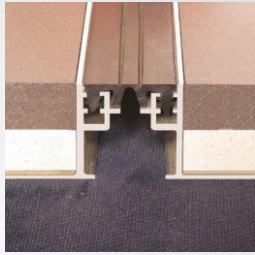
5mm MOVEMENT CAPACITY



ALUMINIUM STRUCTURAL SCREED JOINT

ASSJ390

Floor to Floor



Expansion Joint Selection Criteria

Product Details

Joint Location	Maximum Gap Width	Movement Capacity	Sightline	Frame Height	Profile Length	Code
With Ridged Infill						
Floor - Floor	30mm	+5/-5mm	38mm	39mm	3M	ASSJ390R
With Hospital Infill						
Floor - Floor	30mm	+5/-5mm	38mm	39mm	3M	ASSJ390H

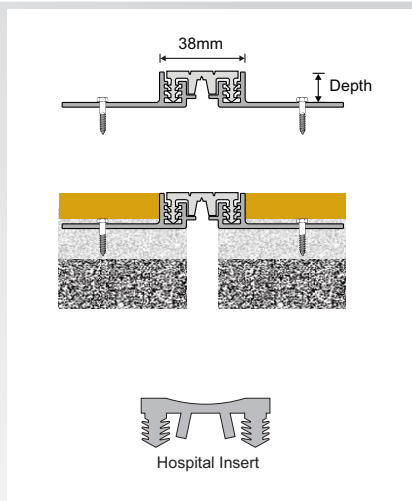
ASSJ390 is an aluminium and flexible PVC structural screed joint suitable for shopping centers and other commercial buildings. This structural joint can accommodate foot traffic, shopping trolleys, other soft wheeled trolleys and small amounts of car traffic.

DETAILED PRODUCT INFORMATION AND TECHNICAL DATA AVAILABLE THROUGH KIRK MARKETING.

ALUMINIUM STRUCTURAL JOINT

ASSJ130 / 170

Floor to Floor



Expansion Joint Selection Criteria

Product Details

Joint Location	Maximum Gap Width	Movement Capacity	Sightline	Frame Height	Profile Length	Code
With Ridged Infill						
Floor - Floor	30mm	+5/-5mm	38mm	13mm	3M	ASSJ130R
Floor - Floor	30mm	+5/-5mm	38mm	17mm	3M	ASSJ170R
With Hospital Infill						
Floor - Floor	30mm	+5/-5mm	38mm	13mm	3M	ASSJ130H
Floor - Floor	30mm	+5/-5mm	38mm	17mm	3M	ASSJ170H

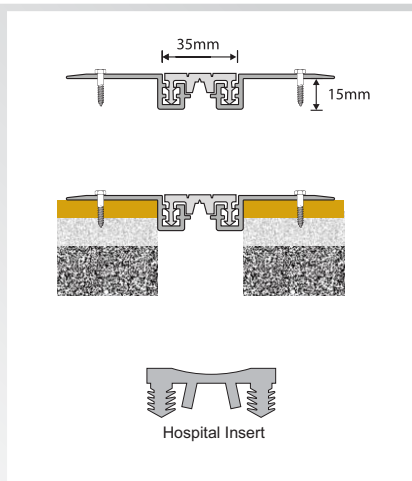
ASSJ130 and ASSJ170 are aluminium and flexible PVC structural joints for thin bed installations. These structural joints can accommodate foot traffic, shopping trolleys, other soft wheeled-trolleys and small amounts of car traffic in shopping centres and other commercial buildings.

DETAILED PRODUCT INFORMATION AND TECHNICAL DATA AVAILABLE THROUGH KIRK MARKETING.

ALUMINIUM RETRO-FIT STRUCTURAL JOINT

ASRJ150

Floor to Floor



Expansion Joint Selection Criteria

Product Details

Joint Location	Maximum Gap Width	Movement Capacity	Sightline	Frame Height	Profile Length	Code
With Ridged Infill						
Floor - Floor	40mm	+5/-5mm	35mm	N/A	3M	ASRJ150
With Hospital Infill						
Floor - Floor	40mm	+5/-5mm	35mm	N/A	3M	ASRJ150H

ASRJ150 is an aluminium and flexible PVC structural joint that is retrospectively fitted over structural gaps, especially during refurbishments or repairs where the flooring cannot be removed. It can accommodate foot traffic, shopping trolleys, other soft wheeled trolleys and small amounts of car traffic in shopping centres and other commercial buildings.

DETAILED PRODUCT INFORMATION AND TECHNICAL DATA AVAILABLE THROUGH KIRK MARKETING.

1. RUBBER STRUCTURAL JOINTS

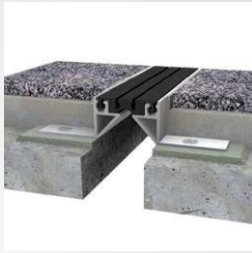
10mm to 15mm MOVEMENT CAPACITY



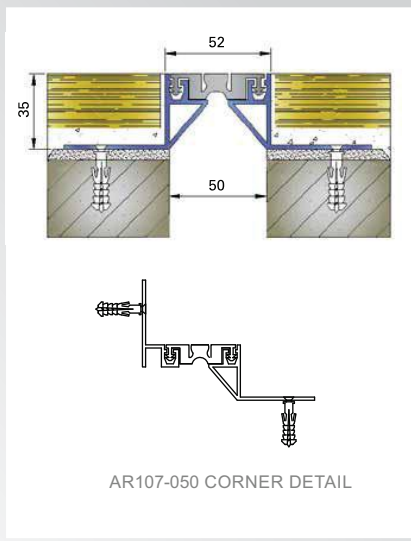
EXPANSION JOINT PROFILES FOR FLOOR

Floor to Floor | Floor to Wall

AR10 SERIES



AR 107-050 Pictured



Expansion Joint Selection Criteria

Product Details

Joint Location	Maximum Gap Width	Movement Capacity	Sightline	Frame Height	Profile Length	Code
Floor - Floor Floor - Wall	50mm	+10/-10mm	52mm	13mm	3M	AR105-050
	50mm	+10/-10mm	52mm	26mm	3M	AR106-050
	50mm	+10/-10mm	52mm	35mm	3M	AR107-050
	50mm	+10/-10mm	52mm	50mm	3M	AR107-053
	50mm	+10/-10mm	52mm	50mm	3M	AR107-054

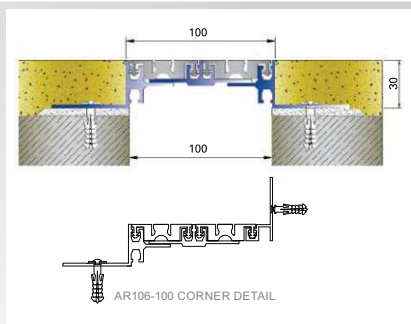
AR10 Series is a range of aluminium and TPE structural joints with various installation heights for use in shopping centres and other commercial buildings. All versions are suited to foot traffic, shopping trolleys, other soft wheeled trolleys and small amounts of car traffic. AR107-050 and AR107-054 can also be used with forklift traffic up to 2 tons.

DETAILED PRODUCT INFORMATION AND TECHNICAL DATA AVAILABLE THROUGH KIRK MARKETING.

EXPANSION JOINT PROFILES FOR FLOOR

Floor to Floor | Floor to Wall

AR106-100



Expansion Joint Selection Criteria

Product Details

Joint Location	Maximum Gap Width	Movement Capacity	Sightline	Frame Height	Profile Length	Code
Floor - Floor	100mm	+15/-15mm	100mm	30mm	3M	AR106-100

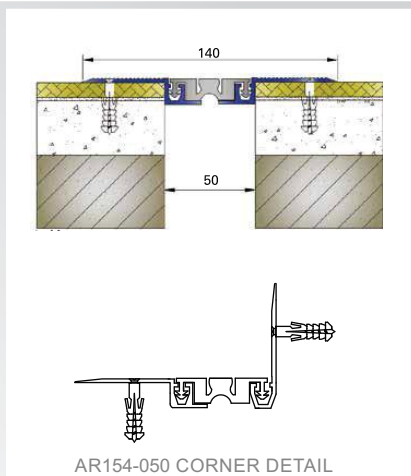
AR106-100 is an aluminium and double TPE structural joint suitable for shopping centres and other commercial buildings that require a larger movement range. It can accommodate foot traffic and low amounts of soft wheeled trolley traffic. Not suitable for car or similar vehicular traffic.

DETAILED PRODUCT INFORMATION AND TECHNICAL DATA AVAILABLE THROUGH KIRK MARKETING.

EXPANSION JOINT PROFILES FOR FLOOR

Floor to Floor | Floor to Wall

AR154-050



Expansion Joint Selection Criteria

Product Details

Joint Location	Maximum Gap Width	Movement Capacity	Sightline	Frame Height	Profile Length	Code
Floor - Floor	50mm	+10/-10mm	140mm	N/A	3M	AR154-050

AR154-050 is an aluminium and TPE structural joint that is retrospectively fitted over structural gaps, especially during refurb or repairs where the flooring cannot be removed. It can accommodate foot traffic, shopping trolleys, other soft wheeled trolleys and small amounts of car traffic in shopping centres and other commercial buildings.

DETAILED PRODUCT INFORMATION AND TECHNICAL DATA AVAILABLE THROUGH KIRK MARKETING.

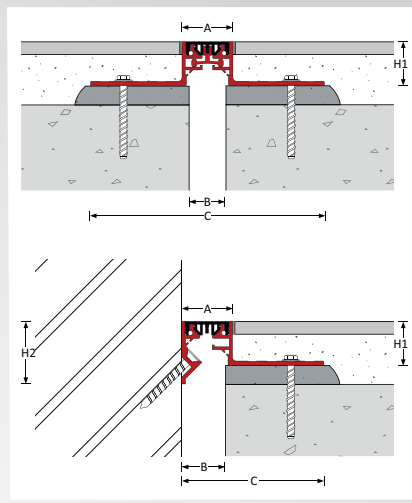
1. RUBBER STRUCTURAL JOINTS

5mm to 25mm MOVEMENT CAPACITY



SINGLE-SEAL EXPANSION JOINT

Floor to Floor | Floor to Wall



Expansion Joint Selection Criteria

Product Details

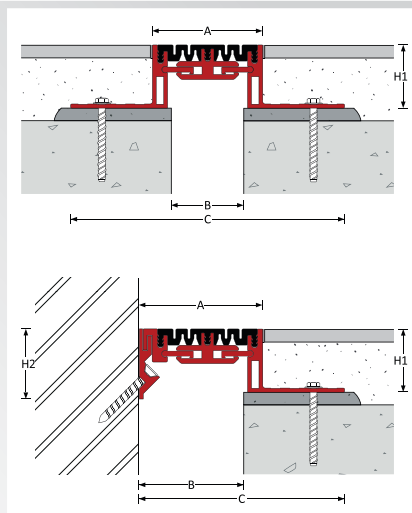
Joint Location	Maximum Gap Width	Movement Capacity	Sightline	Frame Height	Profile Length	Code
Floor - Floor	30mm	+5/-5mm	40mm	25:35:50:70	3M	100-A01-030-(H1)
Floor - Floor	50mm	+10/-10mm	71mm	25:35:50:70	3M	100-A01-050-(H1)
Floor - Floor	75mm	+15/-15mm	93mm	25:35:50:70	3M	100-A01-075-(H1)
Floor - Wall	30mm	+5/-5mm	40mm	25:35:50:70	3M	100-A02-030-(H1)
Floor - Wall	50mm	+10/-10mm	71mm	25:35:50:70	3M	100-A02-050-(H1)
Floor - Wall	75mm	+15/-15mm	93mm	25:35:50:70	3M	100-A02-075-(H1)

MAXATEC100 is an aluminium and EPDM structural joint with various installation heights and gap width specifications. It is suitable for shopping centres and other commercial buildings and can accommodate foot traffic, shopping trolleys, pallet trucks from 2kN to 5kN, forklifts from 31kN to 46kN and small amounts of car traffic.

DETAILED PRODUCT INFORMATION AND TECHNICAL DATA AVAILABLE THROUGH KIRK MARKETING.

SINGLE-SEAL EXPANSION JOINT

Floor to Floor | Floor to Wall



Expansion Joint Selection Criteria

Product Details

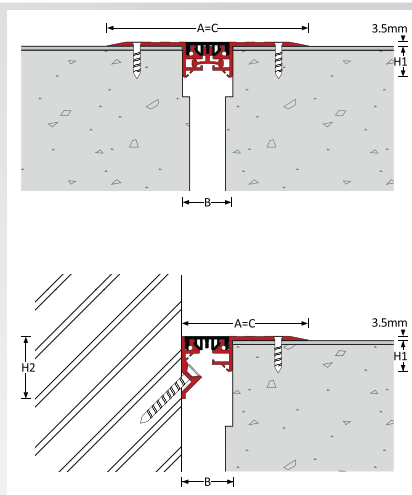
Joint Location	Maximum Gap Width	Movement Capacity	Sightline	Frame Height	Profile Length	Code
Floor - Floor	25mm	+6/-6mm	70mm	25:35:50	3M	140-A01-025-(H1)
Floor - Floor	50mm	+12/-12mm	87mm	25:35:50	3M	140-A01-050-(H1)
Floor - Floor	75mm	+20/-20mm	111mm	25:35:50	3M	140-A01-075-(H1)
Floor - Floor	100mm	+25/-25mm	136mm	25:35:50	3M	140-A01-100-(H1)
Floor - Wall	25mm	+6/-6mm	70mm	25:35:50	3M	140-A02-025-(H1)
Floor - Wall	50mm	+12/-12mm	87mm	25:35:50	3M	140-A02-050-(H1)
Floor - Wall	75mm	+20/-20mm	111mm	25:35:50	3M	140-A02-075-(H1)
Floor - Wall	100mm	+25/-25mm	136mm	25:35:50	3M	140-A02-100-(H1)

MAXATEC140 is an aluminium and EPDM structural joint with a ribbed infill that offers a larger movement range than MAXATEC100. It is suitable for shopping centres and other commercial buildings and can accommodate foot traffic, shopping trolleys, pallet trucks from 2kN to 5kN, forklifts from 31kN to 46kN and car traffic up to 30kN.

DETAILED PRODUCT INFORMATION AND TECHNICAL DATA AVAILABLE THROUGH KIRK MARKETING.

SINGLE-SEAL EXPANSION JOINT

Floor to Floor | Floor to Wall



Expansion Joint Selection Criteria

Product Details

Joint Location	Maximum Gap Width	Movement Capacity	Sightline	Frame Height	Profile Length	Code
Floor - Floor	30mm	+5/-5mm	160mm	27mm	3M	120-A01-030
Floor - Floor	50mm	+10/-10mm	191mm	27mm	3M	120-A01-050
Floor - Floor	75mm	+15/-15mm	213mm	27mm	3M	120-A01-075
Floor - Wall	30mm	+5/-5mm	100mm	27mm	3M	120-A02-030
Floor - Wall	50mm	+10/-10mm	131mm	27mm	3M	120-A02-050
Floor - Wall	75mm	+15/-15mm	153mm	27mm	3M	120-A02-075

MAXATEC120 is an aluminium and EPDM structural joint that is retrospectively fitted over structural gaps, especially during refurb or repairs where the flooring cannot be removed. There are various gap width specifications. It is suitable for shopping centres and other commercial buildings and can accommodate foot traffic, shopping trolleys, pallet trucks from 2kN to 5kN, forklifts from 31kN to 46kN and small amounts of car traffic.

DETAILED PRODUCT INFORMATION AND TECHNICAL DATA AVAILABLE THROUGH KIRK MARKETING.

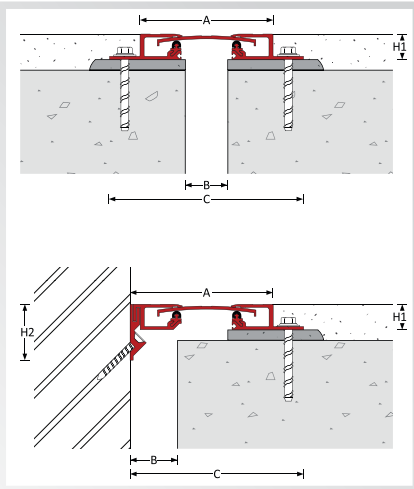
2. METAL STRUCTURAL JOINTS

5mm to 30mm MOVEMENT CAPACITY



METAL EXPANSION JOINT

Floor to Floor | Floor to Wall



Expansion Joint Selection Criteria

Product Details

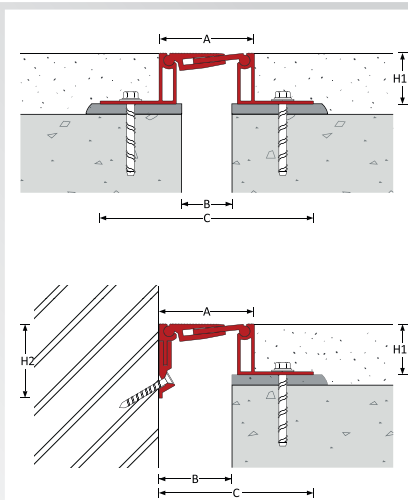
Joint Location	Maximum Gap Width	Movement Capacity	Sightline	Frame Height	Profile Length	Code
Floor - Floor	25mm	+12/-12mm	81mm	25:38:50	3M	360-A01-025-(H1)
Floor - Floor	50mm	+25/-25mm	131mm	25:38:50	3M	360-A01-050-(H1)
Floor - Wall	25mm	+12/-12mm	91mm	25:38:50	3M	360-A02-025-(H1)
Floor - Wall	50mm	+25/-25mm	141mm	25:38:50	3M	360-A02-050-(H1)

MEGATEC360 is a centre plate structural joint for higher load floors in an all-aluminium design for shopping centres and other commercial buildings. Rubber gaskets offer an anti-clatter solution for foot traffic, trolleys, pallet trucks up to 2kN and forklifts up to 31kN.

DETAILED PRODUCT INFORMATION AND TECHNICAL DATA AVAILABLE THROUGH KIRK MARKETING.

METAL EXPANSION JOINT

Floor to Floor | Floor to Wall



Expansion Joint Selection Criteria

Product Details

Joint Location	Maximum Gap Width	Movement Capacity	Sightline	Frame Height	Profile Length	Code
Floor - Floor	25mm	+5/-5mm	69mm	25:35:50:75	3M	300-A01-025-(H1)
Floor - Floor	50mm	+10/-10mm	94mm	25:35:50:75	3M	300-A01-050-(H1)
Floor - Floor	75mm	+15/-15mm	119mm	25:35:50:75	3M	300-A01-075-(H1)
Floor - Floor	100mm	+20/-20mm	144mm	25:35:50:75	3M	300-A01-100-(H1)
Floor - Floor	125mm	+30/-30mm	169mm	25:35:50:75	3M	300-A01-125-(H1)
Floor - Wall	25mm	+5/-5mm	69mm	25:35:50:75	3M	300-A02-025-(H1)
Floor - Wall	50mm	+10/-10mm	94mm	25:35:50:75	3M	300-A02-050-(H1)
Floor - Wall	75mm	+15/-15mm	119mm	25:35:50:75	3M	300-A02-075-(H1)
Floor - Wall	100mm	+20/-20mm	146mm	25:35:50:75	3M	300-A02-100-(H1)
Floor - Wall	125mm	+30/-30mm	169mm	25:35:50:75	3M	300-A02-125-(H1)

MEGATEC300 is a centre plate structural joint for higher load floors in an all-aluminium design. It is suitable for all commercial buildings and can accommodate foot traffic, trolleys, pallet trucks of 10kN, Forklifts up to 69kN, cars up to 30kN and trucks up to 300kN.

DETAILED PRODUCT INFORMATION AND TECHNICAL DATA AVAILABLE THROUGH KIRK MARKETING.

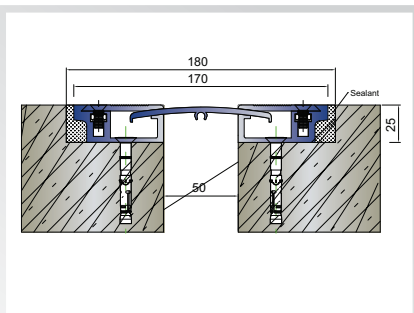
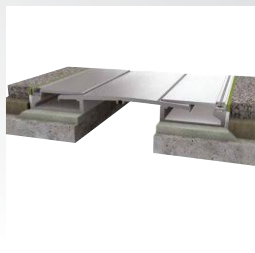
25mm to 50mm MOVEMENT CAPACITY



EXPANSION JOINT PROFILES FOR FLOOR

Floor to Floor

AR851 SERIES



Expansion Joint Selection Criteria

Product Details

Joint Location	Maximum Gap Width	Movement Capacity	Sightline	Frame Height	Profile Length	Code
Floor - Floor	50mm	+25/-25mm	200mm	25mm	3M	AR851-050
Floor - Floor	100mm	+50/-50mm	250mm	25mm	3M	AR851-100

AR851 Series is a centre plate structural joint in an all-aluminium design for shopping centres and other commercial buildings. It offers high movement capacity and can accommodate foot traffic, trolleys, pallet trucks and cars up to 2,5 tons.

DETAILED PRODUCT INFORMATION AND TECHNICAL DATA AVAILABLE THROUGH KIRK MARKETING.



Errors and omissions excepted

2. METAL STRUCTURAL JOINTS

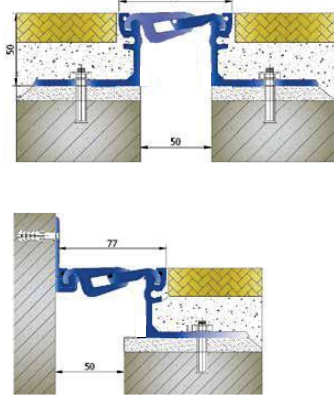
10mm to 20mm MOVEMENT CAPACITY



EXPANSION JOINT PROFILES FOR FLOOR

Floor to Floor | Floor to Wall

AR70 SERIES



Expansion Joint Selection Criteria

Product Details

Joint Location	Maximum Gap Width	Movement Capacity	Sightline	Frame Height	Profile Length	Code
Floor - Floor Floor - Wall	50mm	+10/-10mm	77mm	17mm	4M	AR700-050
	50mm	+10/-10mm	77mm	30mm	4M	AR701-050
	50mm	+10/-10mm	77mm	40mm	4M	AR702-050
	50mm	+10/-10mm	77mm	50mm	4M	AR703-050
	50mm	+10/-10mm	77mm	60mm	4M	AR704-050
	50mm	+10/-10mm	77mm	70mm	4M	AR705-050

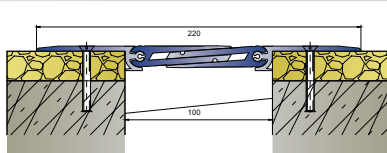
AR70 Series is a heavy duty centre plate structural joint for shopping centres and other commercial buildings available in various frame heights. It can accommodate foot traffic, trolleys, forklift up to 6,5 tons and vehicles up to 30 tons.

DETAILED PRODUCT INFORMATION AND TECHNICAL DATA AVAILABLE THROUGH KIRK MARKETING.

EXPANSION JOINT PROFILES FOR FLOOR

Floor to Floor

AR883-100



Expansion Joint Selection Criteria

Product Details

Joint Location	Maximum Gap Width	Movement Capacity	Sightline	Frame Height	Profile Length	Code
Floor - Floor	100mm	+12/-12mm	220mm	N/A	4M	AR883-100

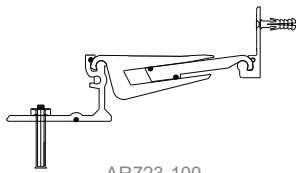
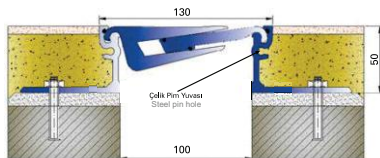
AR883-100 is an all-aluminium centre plate structural joint for large movement range, which is retrospectively fitted over structural gaps, especially during refurb, where the flooring cannot be removed. It is suitable for shopping centres and other commercial buildings and can accommodate foot traffic, trolleys, forklifts up to 2,5 ton and vehicles up to 6 tons.

DETAILED PRODUCT INFORMATION AND TECHNICAL DATA AVAILABLE THROUGH KIRK MARKETING.

EXPANSION JOINT PROFILES FOR FLOOR

Floor to Floor | Floor to Wall

AR72 SERIES



AR723-100
CORNER DETAIL

Expansion Joint Selection Criteria

Product Details

Joint Location	Maximum Gap Width	Movement Capacity	Sightline	Frame Height	Profile Length	Code
Floor - Floor	100mm	+20/-20mm	130mm	17mm	4M	AR720-100
Floor - Floor	100mm	+20/-20mm	130mm	30mm	4M	AR721-100
Floor - Floor	100mm	+20/-20mm	130mm	40mm	4M	AR722-100
Floor - Floor	100mm	+20/-20mm	130mm	50mm	4M	AR723-100
Floor - Floor	100mm	+20/-20mm	130mm	60mm	4M	AR724-100
Floor - Floor	100mm	+20/-20mm	130mm	70mm	4M	AR725-100

AR72 Series is a heavy duty centre plate structural joint for larger movement ranges. It is suitable for use in shopping centres and other commercial buildings and can accommodate foot traffic, trolleys, forklifts up to 6,5 ton and vehicles up to 30 tons.

DETAILED PRODUCT INFORMATION AND TECHNICAL DATA AVAILABLE THROUGH KIRK MARKETING.

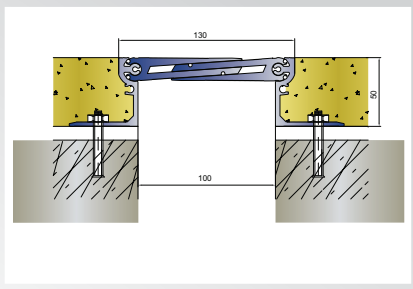
2. METAL STRUCTURAL JOINTS

18mm MOVEMENT CAPACITY



EXPANSION JOINT PROFILES FOR FLOOR Floor to Floor

AR823-101



Expansion Joint Selection Criteria

Product Details

Joint Location	Maximum Gap Width	Movement Capacity	Sightline	Frame Height	Profile Length	Code
Floor - Floor	100mm	+18/-18mm	130mm	50mm	4M	AR823-101 H:50

AR823-101 is an all-aluminium centre plate structural joint for larger movement ranges. It is suitable for use in shopping centres and other commercial buildings and can accommodate foot traffic, trolleys, forklifts up to 1,5 tons and vehicles up to 6 tons.

DETAILED PRODUCT INFORMATION AND TECHNICAL DATA AVAILABLE THROUGH KIRK MARKETING.

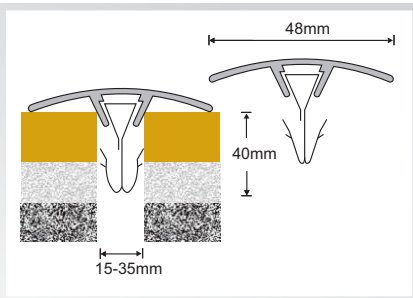
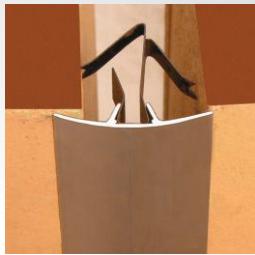
3. STRUCTURAL JOINT COVERS

10mm MOVEMENT CAPACITY



ALUMINIUM STRUCTURAL WALL JOINT COVER Wall to Wall

ASCW480



Expansion Joint Selection Criteria

Product Details

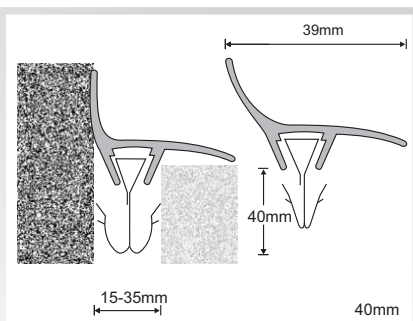
Joint Location	Maximum Gap Width	Movement Capacity	Sightline	Frame Height	Profile Length	Code
Floor - Floor	35mm	+10/-10mm	48mm	N/A	3M	ASCW480

ASCW480 is a structural wall joint cover that is fitted with optional SCLIPS. The SCLIPS hold the cover in place on wall joints.

DETAILED PRODUCT INFORMATION AND TECHNICAL DATA AVAILABLE THROUGH KIRK MARKETING.

ALUMINIUM STRUCTURAL WALL CORNER JOINT COVER Floor to Wall

ASCCW396



Expansion Joint Selection Criteria

Product Details

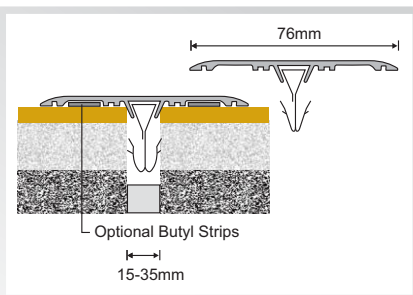
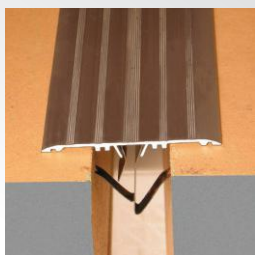
Joint Location	Maximum Gap Width	Movement Capacity	Sightline	Frame Height	Profile Length	Code
Floor - Floor	35mm	+10/-10mm	39mm	N/A	3M	ASCCW396

ASCCW396 is a structural wall corner joint cover that is fitted into wall/wall and wall/floor joints with optional SCLIPS. The SCLIPS hold the profile in place.

DETAILED PRODUCT INFORMATION AND TECHNICAL DATA AVAILABLE THROUGH KIRK MARKETING.

ALUMINIUM STRUCTURAL FLOOR JOINT COVER Floor to Floor

ASCF760



Expansion Joint Selection Criteria

Product Details

Joint Location	Maximum Gap Width	Movement Capacity	Sightline	Frame Height	Profile Length	Code
Floor - Floor	35mm	+10/-10mm	76mm	N/A	3M	ASCF760

ASCF760 is a structural joint cover that is fitted with optional SCLIPS and BUTYL tape. It is suitable for light commercial buildings for fitting over floor joints using optional SCLIPS and BUTYL tape.

DETAILED PRODUCT INFORMATION AND TECHNICAL DATA AVAILABLE THROUGH KIRK MARKETING.



Errors and omissions excepted

3. STRUCTURAL JOINT COVERS

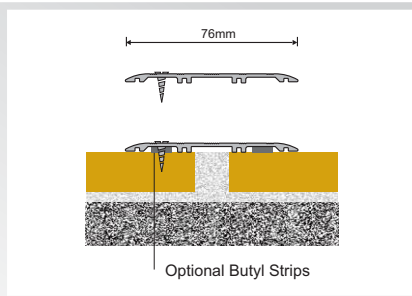
10mm MOVEMENT CAPACITY



ALUMINIUM STRUCTURAL FLOOR JOINT COVER

ASCF760(NF)

Floor to Floor



Expansion Joint Selection Criteria

Product Details

Joint Location	Maximum Gap Width	Movement Capacity	Sightline	Frame Height	Profile Length	Code
Floor - Floor	35mm	+10/-10mm	76mm	N/A	3M	ASCF760 (NF)

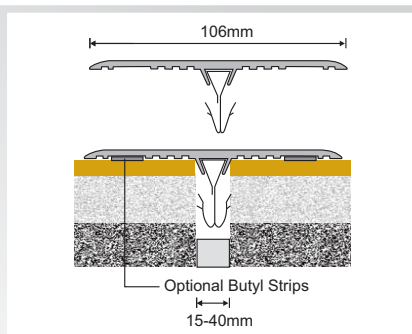
ASCF760(NF) is a structural joint cover that is screw fixed on one side with the option of BUTYL tape for sealing. It is suitable for light commercial buildings and can accommodate foot and trolley traffic.

DETAILED PRODUCT INFORMATION AND TECHNICAL DATA AVAILABLE THROUGH KIRK MARKETING.

ALUMINIUM STRUCTURAL FLOOR JOINT COVER

ASCF106

Wall to Wall



Expansion Joint Selection Criteria

Product Details

Joint Location	Maximum Gap Width	Movement Capacity	Sightline	Frame Height	Profile Length	Code
Floor - Floor	40mm	+10/-10mm	106mm	N/A	3M	ASCF106

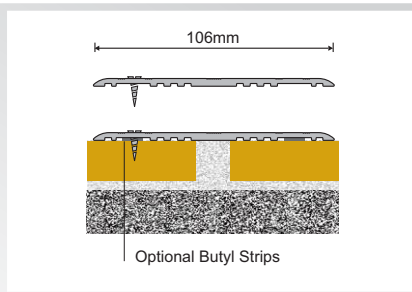
ASCF106 is a structural joint cover that is fitted with optional SCLIPS and BUTYL tape. It is suitable for shopping centres and other commercial buildings for fitting over floor joints using optional SCLIPS and BUTYL tape.

DETAILED PRODUCT INFORMATION AND TECHNICAL DATA AVAILABLE THROUGH KIRK MARKETING.

ALUMINIUM STRUCTURAL FLOOR JOINT COVER

ASCF106(NF)

Floor to Wall



Expansion Joint Selection Criteria

Product Details

Joint Location	Maximum Gap Width	Movement Capacity	Sightline	Frame Height	Profile Length	Code
Floor - Floor	40mm	+10/-10mm	106mm	N/A	3M	ASCF106(NF)

ASCF106(NF) is a structural joint cover that is screw fixed on one side with the option of BUTYL tape for sealing. It is suitable for shopping centres and other commercial buildings and can accommodate foot traffic, trolleys and small amounts of vehicle traffic.

DETAILED PRODUCT INFORMATION AND TECHNICAL DATA AVAILABLE THROUGH KIRK MARKETING.

ALUMINIUM STRUCTURAL COVER CLIPS & BUTYL TAPE

SCLIP/BUTYL

Floor to Floor



Expansion Joint Selection Criteria

Product Details

Joint Location	Maximum Gap Width	Movement Capacity	Sightline	Frame Height	Profile Length	Code
PACK OF 5 COVER CLIPS		N/A	N/A	N/A	N/A	SCLIP
DOUBLE SIDED BUTYL TAPE		N/A	N/A	N/A	6M	BUTYL

SCLIPS and BUTYL tape are optional accessories for all structural covers. SCLIPS hold certain covers in place and are suited to wall covers and low traffic floor covers. BUTYL tape is used to seal and insulate all structural covers and it offers a certain amount of water-proofing.

DETAILED PRODUCT INFORMATION AND TECHNICAL DATA AVAILABLE THROUGH KIRK MARKETING.

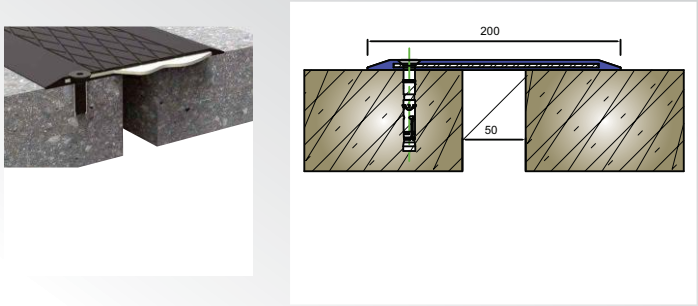
4. CAR PARK JOINTS

25mm to 50mm MOVEMENT CAPACITY



JOINT COVER PROFILES FOR CAR PARK Floor to Floor

AR951 SERIES



Expansion Joint Selection Criteria

Product Details

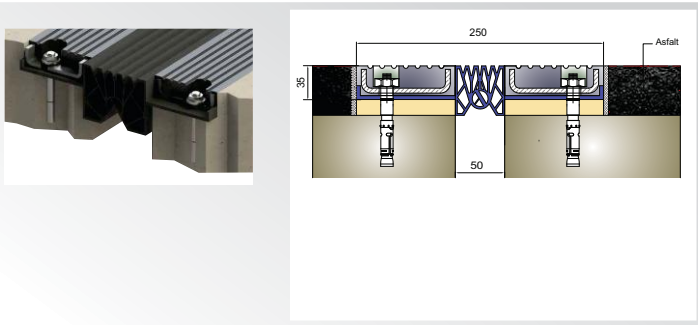
Joint Location	Maximum Gap Width	Movement Capacity	Sightline	Frame Height	Profile Length	Code
Floor - Floor	50mm	+25/-25mm	200mm	8mm	2M	AR951-050 / 3
Floor - Floor	100mm	+50/-50mm	250mm	8mm	2M	AR951-100 / 4

AR951 Series is a composite rubber and steel plate structural cover for parking garages, decks, factories and other commercial buildings and can accommodate forklifts up to 3,5 tons and vehicles up to 16 tons. It is screw fixed on one side and offers large movement ranges.

DETAILED PRODUCT INFORMATION AND TECHNICAL DATA AVAILABLE THROUGH KIRK MARKETING.

EXPANSION JOINT PROFILES FOR CAR PARK Floor to Floor

AR 911 SERIES



Expansion Joint Selection Criteria

Product Details

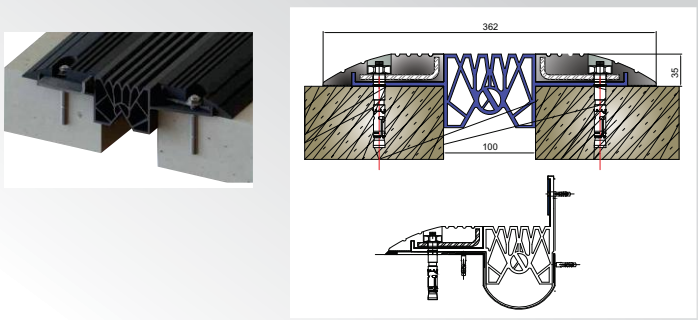
Joint Location	Maximum Gap Width	Movement Capacity	Sightline	Frame Height	Profile Length	Code
Floor - Floor	50mm	+25/-25mm	250mm	35mm	2M	AR911-050
Floor - Floor	100mm	+50/-50mm	300mm	35mm	2M	AR911-100

AR911 Series is a composite rubber and TPE insert profile with steel plates. It is suitable for use in parking areas and factories and can accommodate up to 16 ton vehicle traffic. It is fitted using polyurethane adhesive and screw fixed on both sides using pre-cast holes.

DETAILED PRODUCT INFORMATION AND TECHNICAL DATA AVAILABLE THROUGH KIRK MARKETING.

EXPANSION JOINT PROFILES FOR CAR PARK Floor to Floor | Floor to Wall

AR 921 SERIES



Expansion Joint Selection Criteria

Product Details

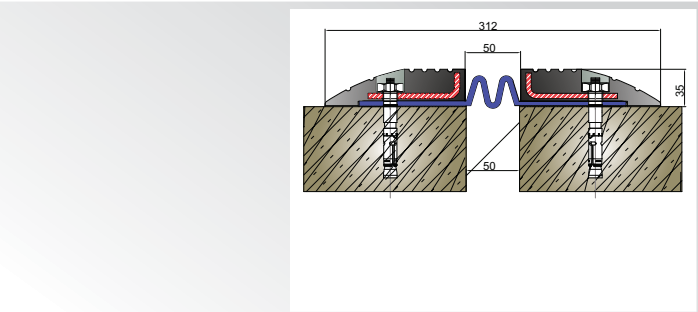
Joint Location	Maximum Gap Width	Movement Capacity	Sightline	Frame Height	Profile Length	Code
Floor - Floor	50mm	+25/-25mm	362mm	35mm	2M	AR921-050
Floor - Floor	100mm	+50/-50mm	362mm	35mm	2M	AR921-100

AR921 Series is a retro-fitted version of the 911 series above. It is used in refurb or repairs in parking areas. It is installed in the same way as the AR911 Series.

DETAILED PRODUCT INFORMATION AND TECHNICAL DATA AVAILABLE THROUGH KIRK MARKETING.

EXPANSION JOINT PROFILES FOR CAR PARK Floor to Floor

AR921-051



Expansion Joint Selection Criteria

Product Details

Joint Location	Maximum Gap Width	Movement Capacity	Sightline	Frame Height	Profile Length	Code
Floor - Floor	50mm	+40/-40mm	250mm	35mm	2M	AR921-051

AR921-051 is a composite rubber and TPE insert profile with steel plates. This retro-fitted structural joint offers a very large movement range and is installed in the same way as AR921 above.

DETAILED PRODUCT INFORMATION AND TECHNICAL DATA AVAILABLE THROUGH KIRK MARKETING.

5. WATER PROOF JOINTS

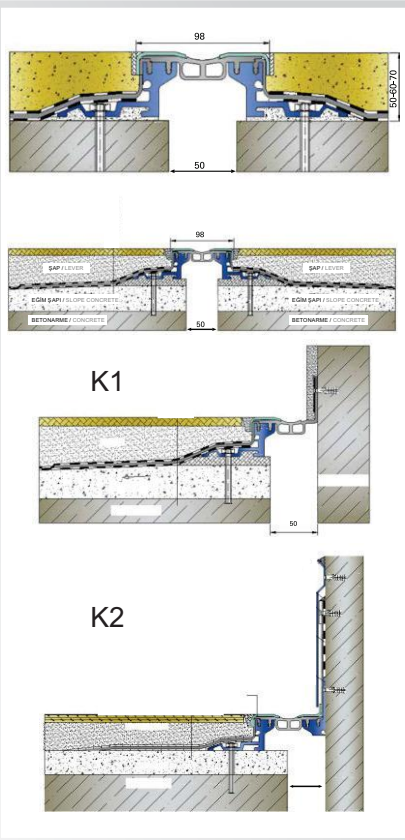
10mm to 20mm MOVEMENT CAPACITY



WATERTIGHT EXPANSION JOINT PROFILES FOR FLOOR

AR600-050

Floor to Floor | Floor to Wall



Expansion Joint Selection Criteria

Product Details

Joint Location	Maximum Gap Width	Movement Capacity	Sightline	Frame Height	Profile Length	Code
Floor - Floor	50mm	+10/-10mm	98mm	50mm	3M	AR600-050
Floor - Wall	50mm	+10/-10mm	98mm	50mm	3M	AR600-050 K1
Floor - Wall	50mm	+10/-10mm	98mm	50mm	3M	AR600-050 K2

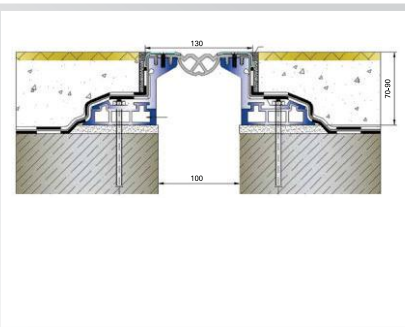
AR600-050 is a watertight structural joint profile with 2 floor / wall options. The thermoplastic flashing is installed with Bitumen sheets and torch to give a fully waterproof solution. The stainless steel retainer caps give extra protection with vehicle traffic. Suitable for use in parking areas and factories accommodating forklifts up to 6 ton and vehicles up to 15 ton.

DETAILED PRODUCT INFORMATION AND TECHNICAL DATA AVAILABLE THROUGH KIRK MARKETING.

WATERTIGHT EXPANSION JOINT PROFILES FOR FLOOR

AR600-100

Floor to Floor



Expansion Joint Selection Criteria

Product Details

Joint Location	Maximum Gap Width	Movement Capacity	Sightline	Frame Height	Profile Length	Code
Floor - Floor	100mm	+20/-20mm	130mm	70-90mm	3M	AR106-100

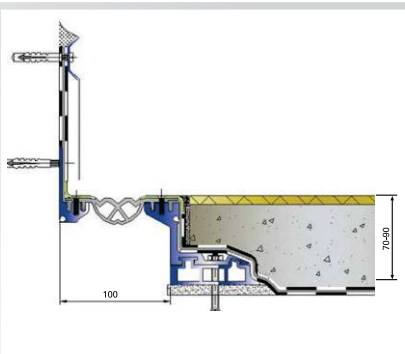
AR600-100 is a watertight structural joint profile. The thermoplastic flashing is installed with Bitumen sheets and torch to give a fully waterproof solution. The stainless steel retainer caps give extra protection with vehicle traffic. Suitable for parking areas and factories accommodating forklifts up to 6 ton and vehicles up to 15 ton.

DETAILED PRODUCT INFORMATION AND TECHNICAL DATA AVAILABLE THROUGH KIRK MARKETING.

10cm WATERTIGHT EXPANSION JOINT PROFILES FOR FLOOR

AR600-100 K

Floor to Wall



Expansion Joint Selection Criteria

Product Details

Joint Location	Maximum Gap Width	Movement Capacity	Sightline	Frame Height	Profile Length	Code
Floor - Wall	100mm	+20/-20mm	130mm	70-90mm	3M	AR600-100 K

AR600-100 is a watertight structural joint profile. The thermoplastic flashing is installed with Bitumen sheets and torch to give a fully waterproof solution. The stainless steel retainer caps give extra protection with vehicle traffic. Suitable for parking areas and factories accommodating forklifts up to 6 ton and vehicles up to 15 ton.

DETAILED PRODUCT INFORMATION AND TECHNICAL DATA AVAILABLE THROUGH KIRK MARKETING.

Errors and omissions excepted

5. WATER PROOF JOINTS

AUXILIARY PRODUCTS FOR ISOLATION



EPOXY BASED EXPANSION JOINT ADHESIVE

Floor to Floor | Floor to Wall

Product Details



HYDROFLEX 21, is epoxy based repair, anchorage and adhesive mortar with two components.

PART A - 3,75kg
PART B - 1,25kg

APPLICATION AREA

- Bonding of expansion joint tape
- Anchoring rods and bars to concrete, stone or brick.
- Repair and isolating of wide cracks

HYDROFLEX DILATATION TAPE

Is a flexible waterproof tape used under structural joints to protect against water ingress.

Various widths are available in 25M rolls to suit gap widths on site.

SPECIFICATION AND ADVANTAGES

- Perfect adhesion to the concrete and steel.
- Resistant to chemicals
- Solvent free
- It can be applied to all types of expansion joint gaps
- Water and gas impermeable
- Perfect adhesion to damp surfaces on concrete
- Easy to apply
- It doesn't need any primer before application

HYDROFLEX DILATATION TAPE and HYDROFLEX 21 EPOXY is a water-proofing and isolation system for structural joints and cracks. HYDROFLEX TAPE is installed underneath most structural joints to stop water entering the structural gap. The TAPE has an elongation at break of 600% and can absorb large amounts of expansion.

DETAILED PRODUCT INFORMATION AND TECHNICAL DATA AVAILABLE THROUGH KIRK MARKETING.

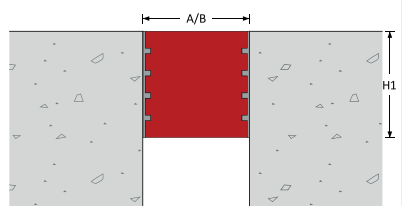
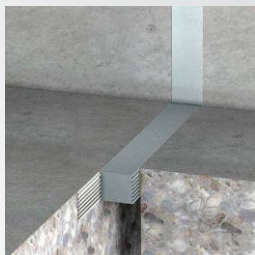
8mm to 50mm MOVEMENT CAPACITY



MULTI-PURPOSE EXPANSION JOINT

Floor to Floor | Floor to Wall

Flexatec 1000 : A01



Expansion Joint Selection Criteria

Product Details

Joint Location	Maximum Gap Width	Movement Capacity	Sightline	Frame Height	Profile Length	Code
Floor - Floor Floor & Wall - Wall	10mm	+5/-5mm	10mm	15mm	Up to 10mm	1000-A01-010
	20mm	+10/-10mm	20mm	25mm	Up to 10mm	1000-A01-020
	25mm	+12/-12mm	25mm	25mm	Up to 10mm	1000-A01-025
	30mm	+15/-15mm	30mm	25mm	Up to 10mm	1000-A01-30
	38mm	+20/-20mm	38mm	30mm	Up to 10mm	1000-A01-038
	50mm	+25/-25mm	50mm	50mm	Up to 10mm	1000-A01-050
	75mm	+37/-37mm	75mm	76mm	Up to 10mm	1000-A01-075
	90mm	+45/-45mm	90mm	76mm	Up to 10mm	1000-A01-90
	100mm	+50/-50mm	100mm	89mm	Up to 10mm	1000-A01-100

FLEXATEC1000 is multi-purpose UV-resistant seal expansion joint system for internal and external use. The profile is installed in all structural gaps where full water-proofing is required. It is adhered using SIKADUR31 epoxy adhesive (not supplied).

DETAILED PRODUCT INFORMATION AND TECHNICAL DATA AVAILABLE THROUGH KIRK MARKETING.

6. FIRE BARRIER JOINTS

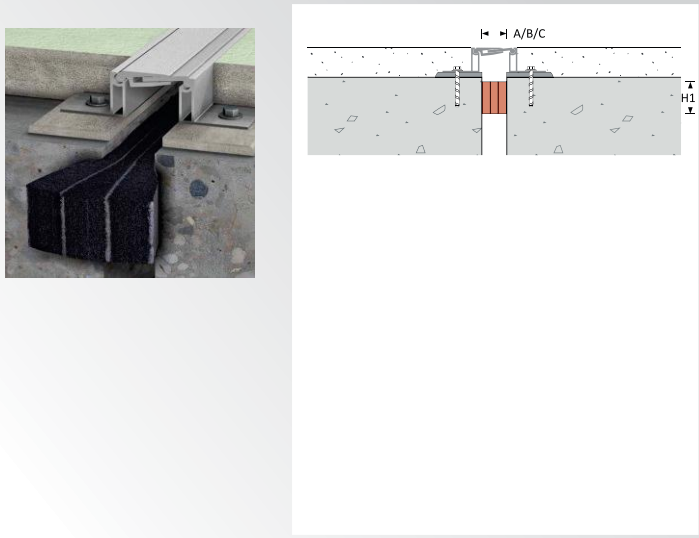
7mm to 75mm MOVEMENT CAPACITY



FIRE BARRIER SYSTEM

Floor to Floor | Floor to Wall | Wall to Wall | Corner Wall Ceiling to Ceiling

Fireflex 2000 : A01-A02



Expansion Joint Selection Criteria

Product Details

Joint Location	Maximum Gap Width	Movement Capacity	Sightline	Frame Height	Profile Length	Code
2 Hour Fire Time						
Floor - Floor Floor - Wall Wall - Wall Corner Wall Ceiling - Ceiling	15mm	+7/-7mm	15mm	65mm	Per Meter	2000-A01-015-2
	25mm	+12/-12mm	25mm		Per Meter	2000-A01-025-2
	35mm	+17/-17mm	35mm		Per Meter	2000-A01-035-2
	50mm	+25/-25mm	50mm		Per Meter	2000-A01-050-2
	75mm	+37/-37mm	75mm		Per Meter	2000-A01-075-2
	100mm	+50/-50mm	100mm		Per Meter	2000-A01-100-2
	125mm	+25/-75mm	125mm		Per Meter	2000-A01-125-2
4 Hour Fire Time						
Floor - Floor Floor - Wall Wall - Wall Corner Wall Ceiling - Ceiling	15mm	+7/-7mm	15mm	100mm	Per Meter	2000-A01-015-4
	25mm	+12/-12mm	25mm		Per Meter	2000-A01-025-4
	35mm	+17/-17mm	35mm		Per Meter	2000-A01-035-4
	50mm	+25/-25mm	50mm		Per Meter	2000-A01-050-4
	75mm	+37/-37mm	75mm		Per Meter	2000-A01-075-4
	100mm	+50/-50mm	100mm		Per Meter	2000-A01-100-4
	125mm	+25/-75mm	125mm		Per Meter	2000-A01-125-4

FIREFLEX2000 is an intumescent carbide fire barrier that is installed in structural gaps that extend through fire compartment floors and walls. It is better than mineral wool solutions because FIREFLEX can expand and contract, unlike mineral wool that can only contract.

DETAILED PRODUCT INFORMATION AND TECHNICAL DATA AVAILABLE THROUGH KIRK MARKETING.



Errors and omissions excepted

www.kirk.co.za

PRODUCT OF



Gauteng Head Office

Telephone: + 27 (0)11 444 1441
 Fax: + 27 (0)11 444 1165
 Email: sales@kirk.co.za
 Postal Address: PO Box 235, Bergvlei, 2012

Cape Town Branch

Telephone: + 27 (0)21 949 2226
 Fax: + 27 (0)21 949 4531
 Email: capesales2@kirk.co.za

Kwazulu Natal Branch

Telephone: + 27 (0)31 564 1175
 Fax: 088 031 564 1143
 Email: kznsales2@kirk.co.za

Port Elizabeth Branch

Telephone: + 27 (0)86 054 7573
 Fax: + 27 (0)86 688 4980
 Email: ecapesales@kirk.co.za